



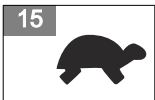
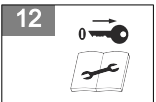
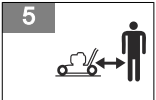
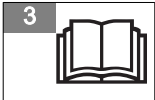
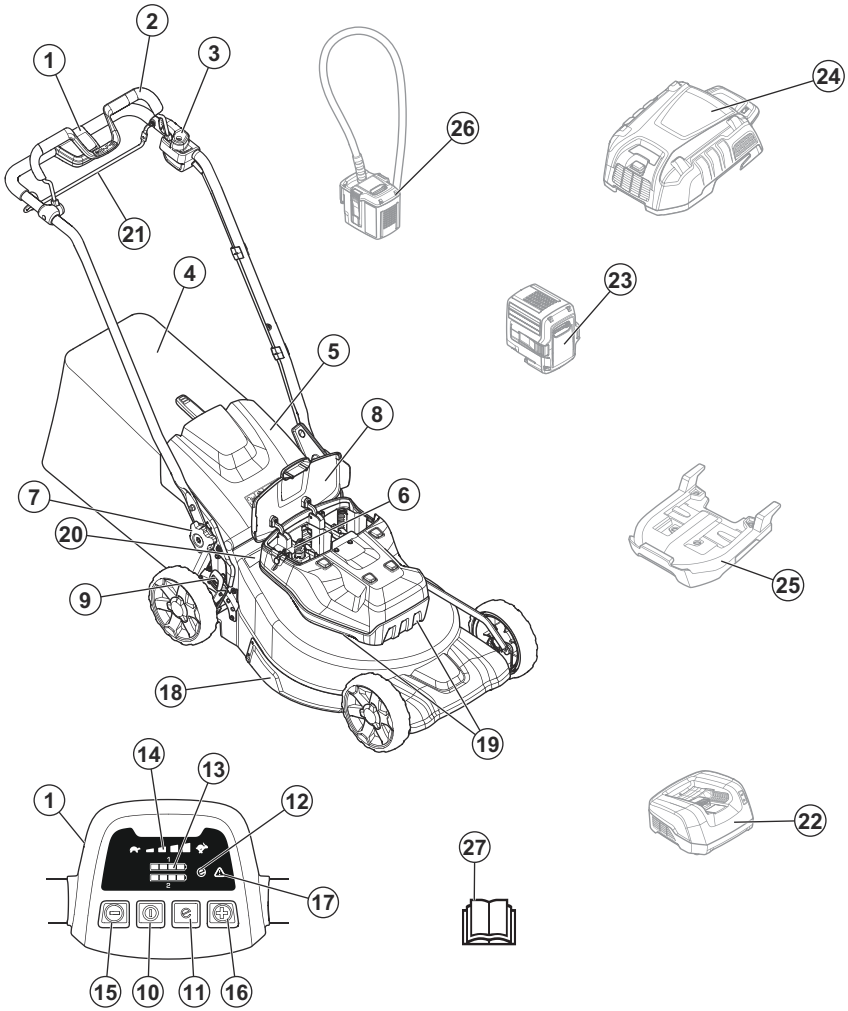
# Husqvarna®



W520i

EN Operator's manual  
FR-CA Manuel d'utilisation  
ES-MX Manual del usuario

10-30  
31-54  
55-78



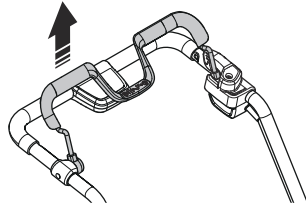
18



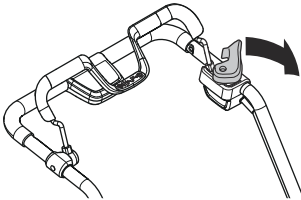
19



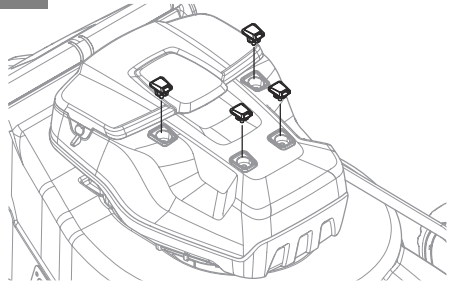
20



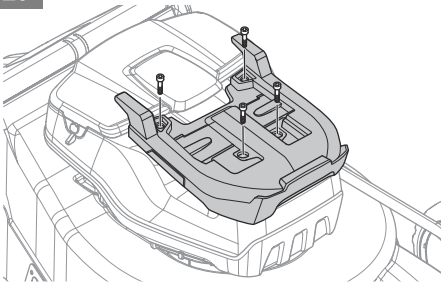
21



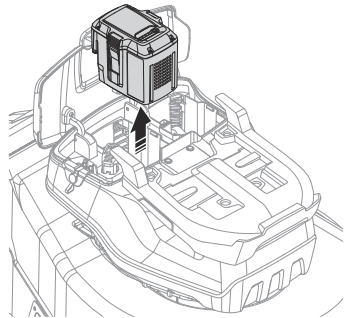
22



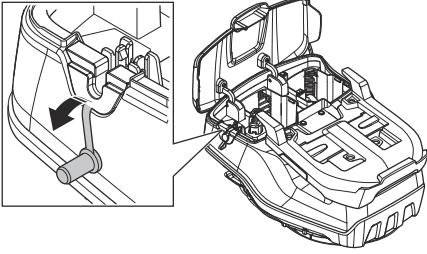
23



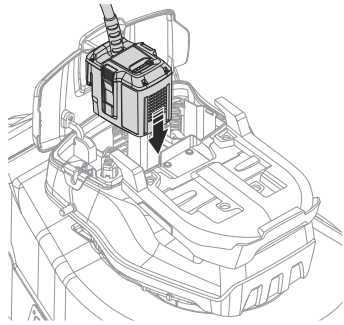
24



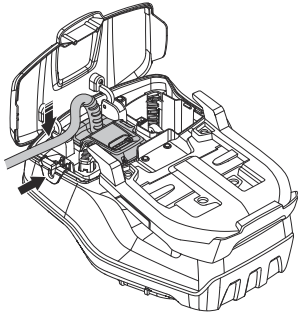
25



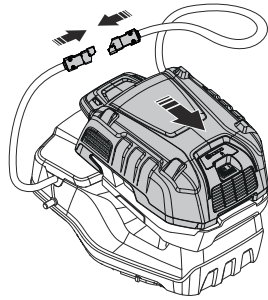
26



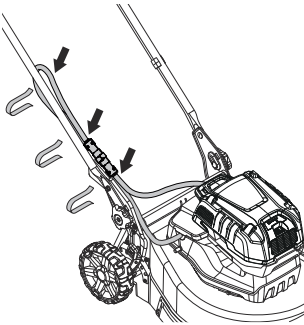
27



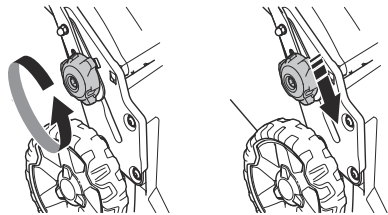
28



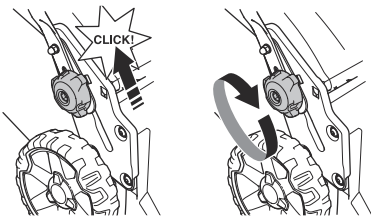
29



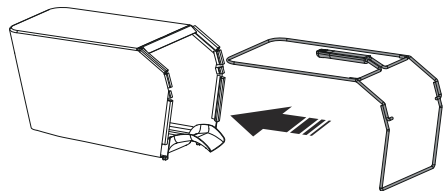
30



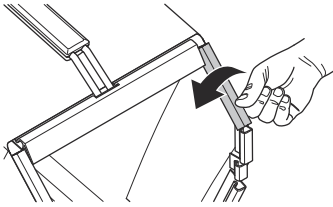
31



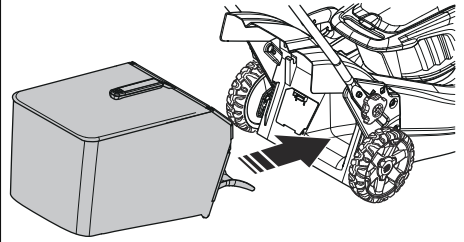
32



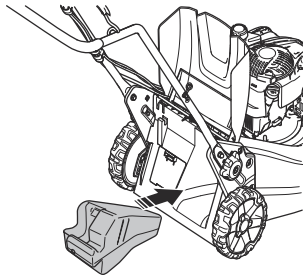
33



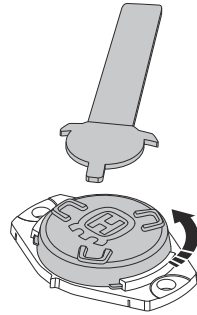
34



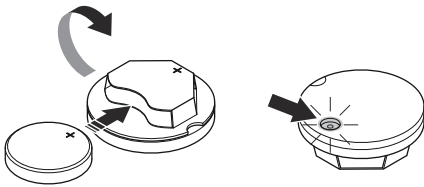
35



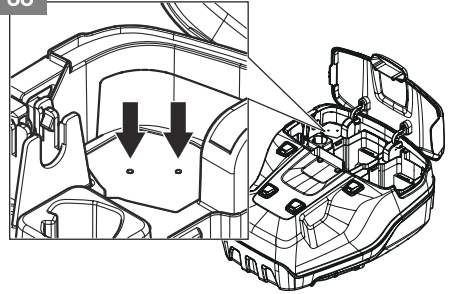
36



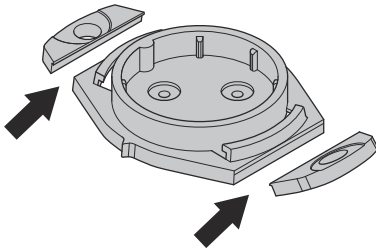
37



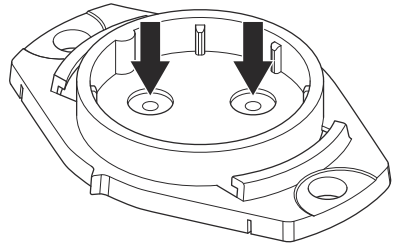
38

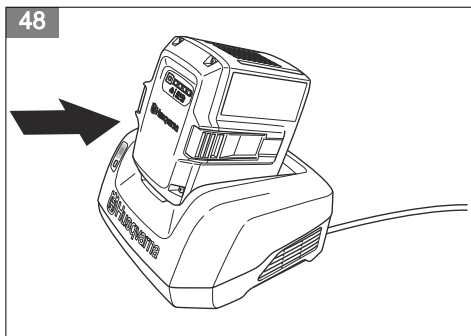
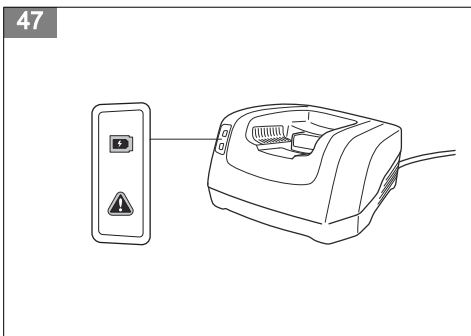
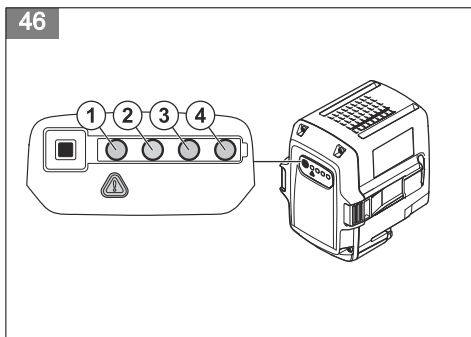
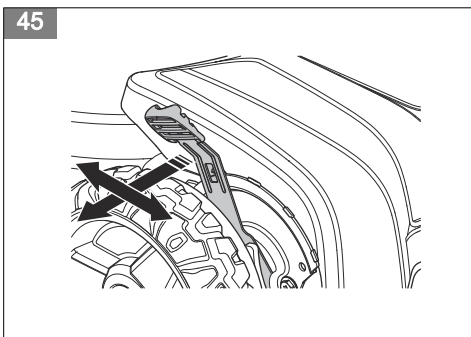
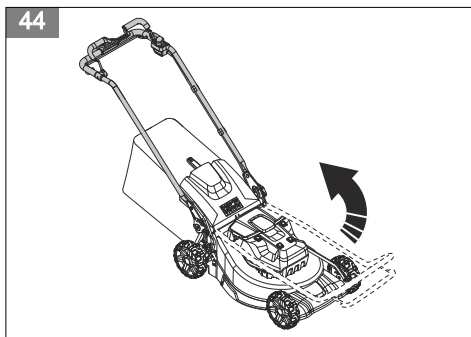
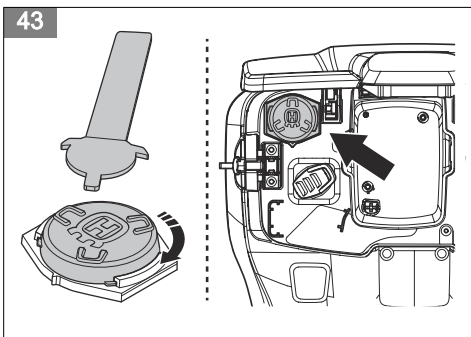
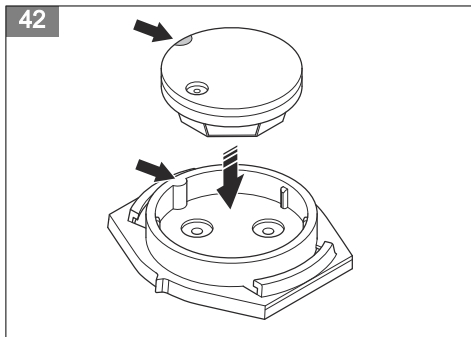
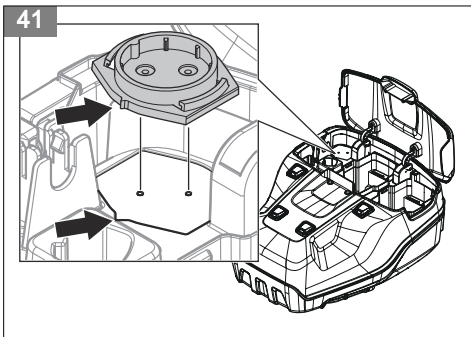


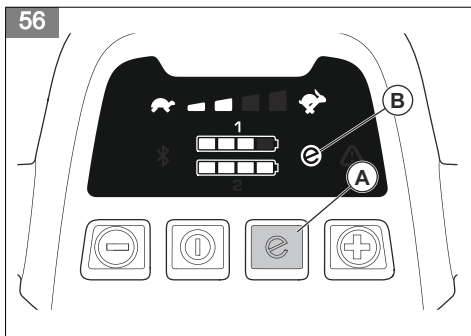
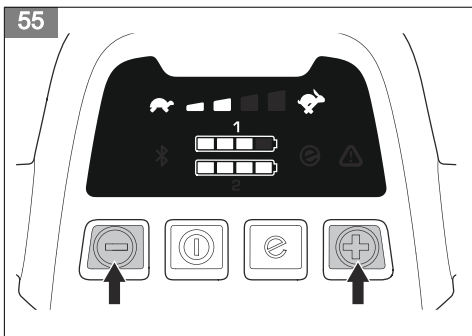
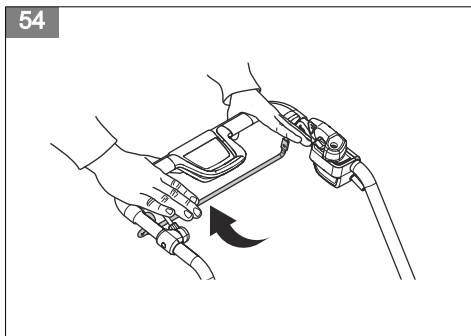
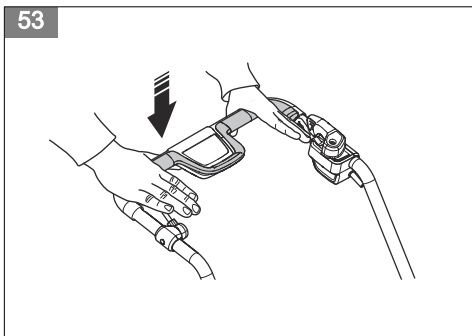
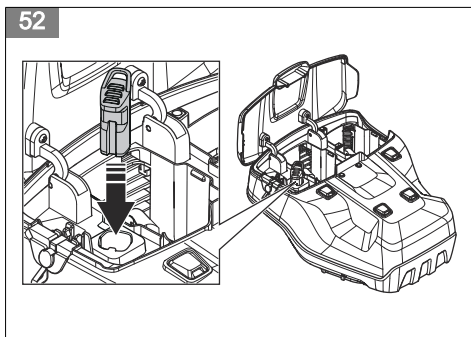
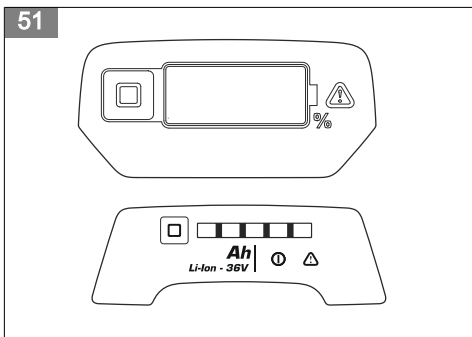
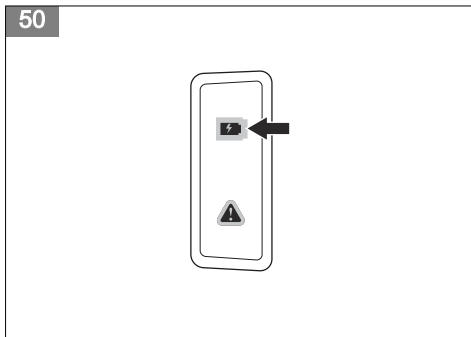
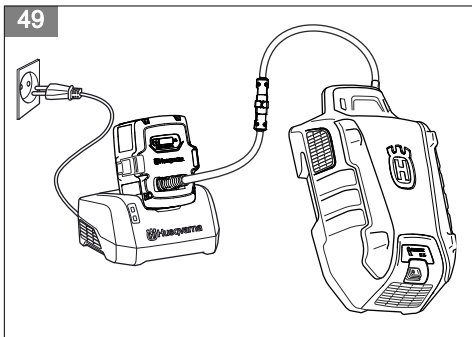
39



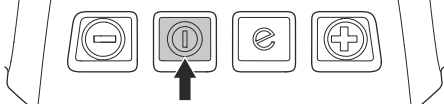
40



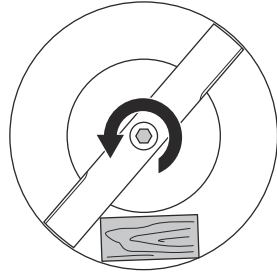




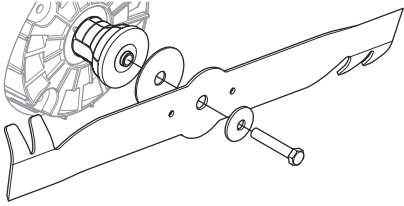
57



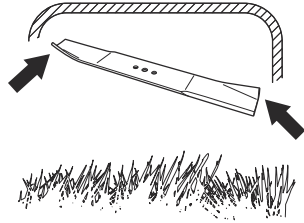
58



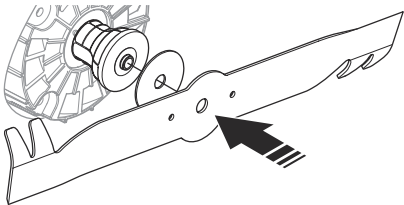
59



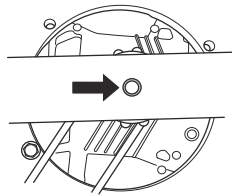
60



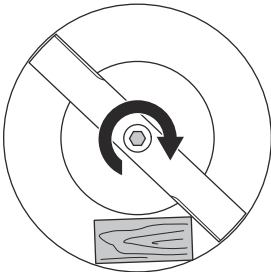
61



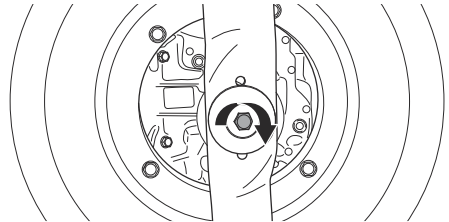
62



63

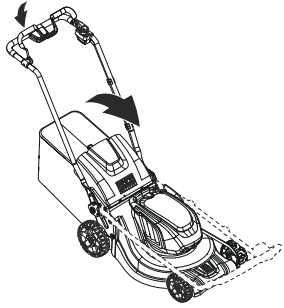


64

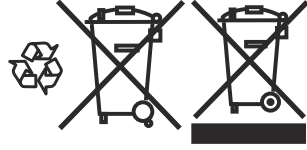




65



66



---

# Contents

---

Introduction.....	10	Maintenance.....	26
Safety.....	12	Troubleshooting.....	27
Assembly.....	22	Transportation, storage and disposal.....	29
Operation.....	23	Technical data.....	29

---

## Introduction

---

### Product description

The product is a pedestrian-controlled rotary lawn mower. The grass is collected in a grass catcher. Remove the grass catcher to get rear discharge of the grass. Attach a mulch kit (accessory) to cut the grass into fertilizer.

### Product overview

(Fig. 1)

1. Control panel
2. Motor brake handle
3. Start inhibitor
4. Grass catcher
5. Rear cover
6. Safety key
7. Handle knob
8. Battery cover
9. Cutting height control
10. ON/OFF button
11. SavE button
12. SavE indicator
13. Battery indicator
14. Speed level indicator
15. Decrease speed button
16. Increase speed button
17. Error LED
18. Cutting cover
19. Air intakes
20. Rating plate
21. Drive bail
22. Battery charger (Accessory)
23. Battery (Accessory)
24. Multi battery (Accessory)
25. Adapter plate (Accessory)
26. Multi battery adapter (Accessory)
27. Operator's manual

### Symbols on the product

(Fig. 2) **WARNING:** This product can be dangerous and

### Intended use

Use the product to cut grass. Do not use the product for other tasks.

cause serious injury or death to the operator or others. Be careful and use the product correctly.

(Fig. 3)

Read the operator's manual carefully and make sure that you understand the instructions before you use this product.

(Fig. 4)

Keep hands and feet away from rotating blades.

(Fig. 5)

Keep persons and animals at a safe distance from the work area.

(Fig. 6)

Look out for thrown objects and ricochets.

(Fig. 7) **Warning:** Keep hands and feet away from the rotating blade.

(Fig. 8) **Warning:** Keep hands and feet away from rotating parts.

(Fig. 9) Before and while walking rearward, look behind and down for small children, animals or other risks that can cause you to fall.

(Fig. 10) Keep persons and animals at a safe distance from the work area.

(Fig. 11) Slope hazard.

(Fig. 12) Remove the safety key before you do repair work or maintenance.

(Fig. 13) **Environmental mark.** The product or package of the product is not domestic waste. Recycle it at an approved disposal location for electrical

and electronic equipment.

**IPX4** Protected against splashing water.

(Fig. 18) Start procedure: push ON/OFF button, loosen start inhibitor, push motor brake handle down.

(Fig. 14) Release motor brake handle to stop.

(Fig. 15) Slow.

(Fig. 16) Fast.

(Fig. 17) Scannable code.

---

**Note:** Other symbols/decals on the product refer to certification requirements for some markets.

---

## Label on the product

(Fig. 19)

Keep hands and feet away from the rotating blades.

### Product liability

As referred to in the product liability laws, we are not liable for damages that our product causes if:

- the product is incorrectly repaired.
- the product is repaired with parts that are not from the manufacturer or not approved by the manufacturer.
- the product has an accessory that is not from the manufacturer or not approved by the manufacturer.
- the product is not repaired at an approved service center or by an approved authority.

---

## Safety

---

### Safety definitions

Warnings, cautions and notes are used to point out specially important parts of the manual.



**WARNING:** Used if there is a risk of injury or death for the operator or bystanders if the instructions in the manual are not obeyed.



**CAUTION:** Used if there is a risk of damage to the product, other materials or the adjacent area if the instructions in the manual are not obeyed.

---

**Note:** Used to give more information that is necessary in a given situation.

---

### Safe practices for pedestrian-controlled mowers

#### General information



**WARNING:** Read the warning instructions that follow before you use the product.

---



**WARNING:** This product is capable of amputating hands and feet and throwing objects. Failure to observe the following safety instructions could result in serious injury or death.

---

- Read, understand, and follow instructions and warnings in this document, the operator's manual, on the product, on the engine/motor and on the attachments.
- Only allow operators who are responsible, trained, familiar with the instructions, and physically capable to operate the product.
- Do not carry passengers and keep bystanders away.
- Do not operate the product while under the influence of alcohol or drugs.
- Follow the manufacturer's recommendation for wheel weights or counterweights.

#### Preparation before operation



**WARNING:** Read the warning instructions that

follow before you use the product.

---

- Clear the operating area of any objects which could be thrown by or interfere with operation of the product.
- Keep the area of operation clear of all bystanders, particularly small children. Stop the product and attachment(s) if anyone enters the area.
- Do not operate the product without the entire grass catcher, discharge chute, or other safety devices in place and functioning properly. Check frequently for signs of wear or deterioration and replace as needed.
- Wear appropriate personal protective equipment such as safety glasses, hearing protection, and footwear.
- Only operate the product in daylight or in good artificial light.
- Avoid holes, ruts, bumps, rocks, or other hidden hazards. Uneven terrain could overturn the product, or cause the operator to lose their balance or footing.
- Do not put hands or feet near rotating parts or under the product. Keep clear of the discharge opening at all times.
- Do not direct discharge material toward anyone. Avoid discharging material against a wall or obstruction. Material may ricochet back toward the operator. Stop the blade(s) when crossing gravel surfaces.
- Do not leave a running product unattended. Always park on level ground, disengage the attachment, set parking brake, and stop the engine/motor.
- Do not mow in reverse unless it is absolutely necessary. Always look down and behind before and while reversing.

## Operation

---



**WARNING:** Read the warning instructions that follow before you use the product.

---

- For gasoline engine products: Only operate the engine in well ventilated areas. Exhaust gases contain carbon monoxide, a deadly poison.

## Children specific instructions

---



**WARNING:** Read the warning instructions that

follow before you use the product.

---

- Tragic accidents can occur if the operator is not alert to the presence of children. Children are often attracted to the product and the mowing activity. Never assume that children will remain where you last saw them.
- Keep children out of the operating area and under the watchful care of a responsible adult other than the operator.

### Slope specific instructions

---



**WARNING:** Read the warning instructions that follow before you use the product.

---



**WARNING:** Slopes are a major factor related to accidents. Operation on slopes requires extra caution.

---

- Travel in the manufacturer recommended direction on slopes. Use caution while operating near drop offs.
- Avoid mowing wet grass. Poor footing could cause a slip and fall accident.

- Do not operate product under any condition where traction, steering, or stability is in question. Tires could slide even if the wheels are stopped.
- Always keep the product in gear when going down slopes. Do not coast downhill.
- Avoid starting and stopping on slopes. Avoid making sudden changes in speed or direction. Make turns slowly and gradually.
- Use extra care while operating product with a grass catcher or other attachment(s). They can affect the stability of the product.

### Fire and Fuel specific information (for gasoline engine products)

---



**WARNING:** Read the warning instructions that follow before you use the product.

---

- Extinguish all cigarettes, cigars, pipes and other sources of ignition.
- Use only an approved fuel container.
- Do not remove fuel cap or add fuel with the engine running or while hot.

- Do not refuel indoors or in enclosed spaces.
- Do not store the product or fuel container, or refuel, where there is an open flame, spark, or pilot light such as on a water heater or other appliance.
- If fuel is spilled, do not attempt to start the engine and avoid creating any source of ignition until fuel vapors have dissipated.
- To help prevent fires: keep product free of grass, leaves, or other debris build up; clean up oil or fuel spillage and remove any fuel soaked debris; allow product to cool before storing.
- Use extra care in handling gasoline and other fuels. They are flammable and vapors are explosive.

## Hauling



**WARNING:** Read the warning instructions that follow before you use the product.

---

- Use full width ramps for loading and unloading a product for transport.

## Service



**WARNING:** Read the warning instructions that follow before you use the product.

---

- Keep product in good working order. Replace worn or damaged parts.
- Use caution when servicing blades. Wrap the blade(s) or wear gloves. Replace damaged blades. Do not repair or alter blade(s).
- Products with hydraulic pumps, hoses, or motors; and/or diesel injection systems:



**WARNING:** Fluid escaping under pressure may have sufficient force to penetrate skin and cause serious injury. If fluid is injected into the skin, seek immediate medical attention. Keep body and hands away from pin holes or nozzles that eject fluid under high pressure. If a leak occurs, have the product immediately

serviced by a trained technician.

- If equipped, disconnect spark plug wire(s) and the negative battery cable before making any repairs.

## General safety instructions



**WARNING:** Read the warning instructions that follow before you use the product.

- This product is dangerous if used incorrectly or if you are not careful. Injury or death can occur if you do not obey the safety instructions.
- This product produces an electromagnetic field during operation. This field may under some circumstances interfere with active or passive medical implants. To reduce the risk of serious or fatal injury we recommend persons with medical implants to consult their physician and the medical implant manufacturer before operating this product.
- Always be careful and use your common sense. If you are not sure how to operate the product in a special situation, stop and speak to

your Husqvarna dealer before you continue.

- Keep in mind that the operator will be held responsible for accidents that involve other persons or their property.
- Keep the product clean. Make sure that you can clearly read signs and decals.
- Never allow children or people unfamiliar with these instructions to use the appliance. Local regulations may restrict the age of the operator
- Always monitor a person, with decreased physical capacity or mental capacity, that uses the product. A responsible adult must be there at all times.
- Do not use the product if you are tired, ill, or under the influence of alcohol, drugs or medicine. This has a negative effect on your vision, alertness, coordination and judgment.
- Do not use the product if it is defective.
- Do not change this product or use it if it is possible that it has been changed by others.

## Work area safety



**WARNING:** Read the warning instructions that



follow before you use the product.

---

- Remove objects such as branches, twigs and stones from the work area before you use the product.
- Objects that hit against the cutting equipment can eject and cause damage to persons and objects. Keep bystanders and animals at a safe distance from the product.
- Never use the product in bad weather such as fog, rain, strong winds, intense cold and risk of lightning. To use the product in bad weather or in moist or wet locations is tiring. Bad weather can cause dangerous conditions, such as slippery surfaces.
- Look out for persons, objects and situations that can prevent safe operation of the product.
- Look out for obstacles, such as roots, stones, twigs, pits and ditches. Long grass can hide obstacles.
- To cut grass on slopes can be dangerous. Do not mow excessively steep slopes. Do not use the product on ground that slopes more than 15°
- Exercise extreme caution when changing direction on

slopes. Operate the product across the face of slopes. Do not move up and down.

- Be careful when you go near hidden corners and objects that prevent a clear view.

## Work safety

---



**WARNING:** Read the warning instructions that follow before you use the product.

---

- Use this product to cut grass lawns only. It is not permitted to use it for other tasks.
- Use personal protective equipment. Refer to *Personal protective equipment on page 18*.
- Make sure that you know how to stop the motor quickly in an emergency.
- Do not operate the product in rain or wet conditions. The risk of electrical shock increases if water enters the product.
- Do not operate the product unless the blade and all covers are attached correctly. An incorrectly attached blade can come loose and cause personal injury.
- Make sure that the blade does not hit objects such as stones and roots. This can do

damage to the blade and bend the motor shaft. A bent axle causes heavy vibration and a very high risk that the blade becomes loose.

- If the blade hits an object or if vibrations occur, stop the product immediately. Stop the motor, pull up the safety key and remove the battery. Examine the product for damages. Repair damages or let an authorised service agent do the repair.
- Never attach the motor brake handle permanently to the handle when the motor is started.
- Put the product on a stable, flat surface and start it. Make sure that the blade does not hit the ground or other objects.
- Always stay behind the product when you operate it.
- Let all the wheels stay on the ground and keep 2 hands on the handle when you operate the product. Keep your hands and feet away from the rotating blades.
- Do not tilt the product when the motor is started.
- Be careful when you pull the product rearward.
- Never lift up the product when the motor is started. If you

must lift the product, first stop the motor, pull up the safety key and remove the battery.

- Do not walk rearward when you operate the product.
- Stop the motor when you move across areas without grass, for example paths made of gravel, stone and asphalt.
- Do not run with the product when the motor is started. Always walk when you operate the product.
- Stop the motor before you change the cutting height. Never make adjustments with the motor started.
- Never let the product stay out of view with the motor started. Stop the motor and make sure that the cutting equipment does not rotate.

## Safety instructions for operation

### Personal protective equipment

---



**WARNING:** Read the warning instructions that follow before you use the product.

---

- Personal protective equipment cannot fully prevent injury but it decreases the degree of injury if an accident does

occur. Let your dealer help you select the right equipment.

- Use heavy-duty slip-resistant boots or shoes. Do not use open shoes or go with bare feet.
- Use heavy, long pants.
- Use protective gloves when necessary, for example when you attach, examine or clean the cutting equipment.

### Safety devices on the product



**WARNING:** Read the warning instructions that follow before you use the product.

---

- Do not use a product with defective safety devices.
- Do a check of the safety devices regularly. If the safety devices are defective, speak to your Husqvarna service agent.

### To do a check of the cutting cover

The cutting cover decreases vibrations in the product and decreases the risk of injury from the blade.

- Examine the cutting cover to make sure that there are no damages such as cracks.

### Safety key

The safety key is below the battery lid. The safety key connects the battery that supplies the motor with power.

### To do a check of the safety key

The safety key connects the battery that supplies the motor with power.

- Start and stop the motor. If the safety key operates correctly, the motor can only start when the key is in the safety lock.

### Motor brake handle

The motor brake handle stops the motor. When the motor brake handle is released, the motor stops.

To do a check of the motor brake, start the motor and then release the motor brake handle. If the motor does not stop in 3 seconds, let an approved Husqvarna service agent adjust the motor brake.

(Fig. 20)

### To examine the start inhibitor

Do a check of the start inhibitor to make sure that it prevents operation of the motor.

1. Push the motor brake handle in the direction of the handlebar. The start inhibitor stops the movement.
2. Push the start inhibitor out. (Fig. 21)
3. Release the start inhibitor and make sure that it goes back to its initial position.

## Battery safety

---



**WARNING:** Read the warning instructions that follow before you use the product.

---

- Use Husqvarna rechargeable batteries as a power supply for related Husqvarna products only. To prevent injury, do not use the battery as a power supply for other devices.
- Do not use non-rechargeable batteries.
- Risk of electrical shock. Do not connect the battery terminals to keys, coins, screws or other metal. This can cause a short circuit of the battery.
- Do not put objects into the air slots of the battery.
- Keep the battery away from sunlight, heat or open flame. The battery can explode and

cause burns and/or chemical burns.

- Keep the battery away from rain and wet conditions.
- Keep the battery away from microwaves and high pressure.
- Do not try to disassemble or break the battery.
- If the battery leaks, do not let the liquid touch your body or eyes. If you have touched the liquid, clean the area with a large quantity of water and get medical aid.
- Use the battery in temperatures between  $-10^{\circ}\text{C}$  and  $40^{\circ}\text{C}$ .
- Do not clean the battery or the battery charger with water. See *To clean the battery and the battery charger on page 27.*
- Do not use a defective or damaged battery.
- Keep batteries in storage away from metal objects such as nails, coins, jewellery.

## Battery charger safety

---



**WARNING:** Read the warning instructions that follow before you use the product.

---

- Use the QC battery chargers to charge Husqvarna replacement batteries only.
- Risk of electrical shock or short circuit. Do not put objects into the air slots of the charger. Do not try to disassemble the battery charger. Do not connect the charger terminals to metal objects. Use an approved mains socket.
- This product produces an electromagnetic field during operation. This field may under some circumstances interfere with active or passive medical implants. To reduce the risk of serious or fatal injury, we recommend persons with medical implants to consult their physician and the medical implant manufacturer before operating this product.
- Regularly make sure that the power cord of the battery charger is not damaged and that there are no cracks in it.
- Do not lift the battery charger by the power cord. To disconnect the battery charger from a mains socket, pull out the plug. Do not pull the power cord.
- Keep the power cord and extension cables away from water, oil and sharp edges. Make sure that the cable is not pinched in doors, fences or equivalent. It can cause the charger to become energized.
- Do not clean the battery charger with water.
- The battery charger can be used by children aged from 8 years and above and persons with reduced physical, sensory, or mental capabilities or lack of experience and knowledge if they have been given supervision or instruction concerning use of the battery charger in a safe way and understand the hazards involved. Children shall not play with the battery charger. Cleaning and user maintenance shall not be made by children without supervision.
- Do not charge non-rechargeable batteries in the battery charger.
- Do not use the battery charger near flammable materials or materials that can cause corrosion. Do not cover the battery charger. Pull out the plug to the battery charger if there is smoke or fire.
- Do not use a defective or damaged battery charger.

- Only charge the battery indoors in a room with good airflow and away from sunlight. Do not charge the battery in wet conditions.

## Safety instructions for maintenance



**WARNING:** Read the warning instructions that follow before you use the product.

- Remove the safety key before you do maintenance on the product.
- Do the maintenance work correctly to increase the lifetime of the product and decrease the risk of accidents. Let an approved service agent do the professional repairs. Speak to your nearest service agent for more information.
- Only do the maintenance work written in this operator's manual.
- Put on heavy duty gloves when you use the cutting equipment. The blade is very sharp and cuts can easily occur.
- Keep the cutting edges sharp and clean for the best and safest performance.
- Let your service agent regularly examine the product and make necessary adjustments and repairs.
- Replace damaged, worn or broken parts.
- Obey the instructions for how to change accessories. Only use accessories from the manufacturer.
- When not in operation, keep the product, battery and battery charger apart in a dry, indoor and locked area. Make sure that children and persons that are not approved cannot get access to the product, battery or battery charger.

## Assembly

### Introduction



**WARNING:** Read and understand the safety chapter before you assemble the product.

### To install and remove the multi battery (accessory)

1. Remove the 4 rubber covers and the 4 screws from the motor cover. (Fig. 22)
2. Put the adapter plate onto the motor cover.
3. Attach the adapter plate with the 4 supplied screws to a torque of 5-6 Nm. (Fig. 23)
4. Open the battery hatch.
5. Remove the battery in slot 1. (Fig. 24)
6. Remove the seal stop. (Fig. 25)
7. Push the battery adapter into the battery compartment until you hear a click. (Fig. 26)
8. Put the cord of the battery adapter through the seal stop hole. Attach the cord with the clip. (Fig. 27)

9. Install the multi battery onto the battery adapter.
10. Connect the multi battery to the battery adapter. (Fig. 28)
11. Attach battery adapter cord to the handle with the 3 fabric straps. (Fig. 29)
12. Remove the multi battery in the opposite sequence.



**WARNING:** Do not attach the cord too loosely to the handle. The cord can come off the handle and cause injury.

## To assemble the handle

1. Loosen the lower knobs.
2. Move the knobs to the lower end of the grooves on the left and the right side of the product. (Fig. 30)
3. Set the handle height in one of the 2 available positions.
4. Move the knobs up in the direction of the handle until they stop and you hear a click. (Fig. 31)
5. Tighten the knobs fully.

## To assemble the grass catcher

1. Attach the grass catcher frame to the grass bag with the rigid part of the bag on the bottom. Keep the handle of the frame on top of the grass bag. (Fig. 32)

2. Attach the bottom section of the grass catcher frame in the groove on the bottom of the grass catcher.
3. Attach the grass bag to the grass catcher frame with the clips. (Fig. 33)
4. Lift the rear cover.
5. Attach the grass catcher to the top edge of the chassis.
6. Put the lower part of the grass catcher into the grass discharge channel. (Fig. 34)

## To assemble the mulch plug (accessory)

1. Lift up the rear cover and remove the grass catcher.
2. Put the mulch plug into the discharge channel. (Fig. 35)
3. Replace the blade with the mulch blade that is supplied with the mulch kit. Refer to *To replace the blade on page 26*.

# Operation

## Introduction



**WARNING:** Before you operate the product, you must read and understand the safety chapter.

## Husqvarna Connect

Husqvarna Connect is a free app for your mobile device. The Husqvarna Connect app gives extended functions for your Husqvarna product:

- Extended product information.
- Information about, and help with, product parts and servicing.

## To start to use Husqvarna Connect

1. Download the Husqvarna Connect app on your mobile device.
2. Register in the Husqvarna Connect app.
3. Do the instruction steps in the Husqvarna Connect app to connect and register the product.

## Husqvarna Fleet Services™

Husqvarna Fleet Services™ is a cloud solution that gives the commercial fleet manager an overview of all products. Husqvarna Fleet Services™ is included for the

W520i. For more information about Husqvarna Fleet Services™, refer to [www.husqvarna.com](http://www.husqvarna.com).

## To prepare the sensor (accessory)

1. Use the sensor key to open the lid of the sensor. (Fig. 36)
2. Remove the sensor.
3. Connect the battery to the sensor. The LED light of the sensor comes on. (Fig. 37)
4. Download the Husqvarna Fleet Services™ app.
5. Log on to the Husqvarna Fleet Services™ app.
6. Do a pairing operation. Refer to *To do a pairing operation between the app and the product on page 23*

## To do a pairing operation between the app and the product

1. Log on to the Husqvarna Fleet Services™ app.
2. Select your product in the app.
3. Scan the code behind the sensor with your mobile device to install the sensor in the app.

**Note:** It is only necessary to do a pairing operation between the app and the product one time.

## To install the sensor

1. Make sure that the sensor is connected to the Husqvarna Fleet Services™ app. Refer to *To do a pairing operation between the app and the product on page 23.*
2. Drill 2 holes by the marks in the enclosure slot. (Fig. 38)

**Note:** Make sure that the holes are the same dimension as the rivets supplied with the sensor.

3. Use a pair of pliers to remove the outer holes on the sensor slot. (Fig. 39)
4. Drill 2 holes by the marks in the sensor slot. (Fig. 40)
5. Align the sensor slot with the enclosure slot. (Fig. 41)
6. Attach the sensor slot with the rivets.
7. Install the sensor in the sensor slot. Align the white mark on the sensor with the mark on the sensor slot. (Fig. 42)
8. Close the lid to the sensor and lock it with the sensor key. Make sure that the top of the Husqvarna "H" points away from the safety key. (Fig. 43)

## To set the product in operation position

1. Lift the handle to upright position. (Fig. 44)
2. Move the knobs up in the direction of the handle until they stop and you hear a click. (Fig. 31)
3. Tighten the knobs fully.

## To set the cutting height

The cutting height can be adjusted in 6 levels.

1. Push the cutting height control in the direction of the wheel and then rearward to increase the cutting height.
2. Push the cutting height control in the direction of the wheel and then forward to decrease the cutting height. (Fig. 45)



**CAUTION:** Do not set the cutting height too low. The blades can hit the ground if the surface of the lawn is not level.

## Battery



**WARNING:** Before you use the battery, you must read and understand the safety chapter. You must also read and understand the operator's manual for the battery and the battery charger.

## Battery status

The display shows the remaining battery capacity and if there are problems with the battery. The battery capacity is shown for 5 seconds after the product is switched off

or the battery indicator button is pressed. The warning symbol on the battery is on when an error has occurred. See *Battery on page 27.*

(Fig. 46)

LED lights	Battery status
All LEDs are lit	Fully charged (75-100%)
LED 1, LED 2, LED 3 are lit	The battery is 50%-75% charged
LED 1, LED 2 are lit	The battery is 25%-50% charged
LED 1 is lit	The battery is 0%-25% charged.
LED 1 flashes	The battery is empty. Charge the battery.

## To charge the battery

Charge the battery before the first use. The battery is only 30% charged when supplied to the customer.

**Note:** The battery charger must be connected to the voltage and frequency specified on the rating plate.

The battery does not charge if the battery temperature is above 50°C. The battery charger decreases the temperature of the battery before it starts to charge.

1. Connect one end of the power cord for the battery charger into the socket of the battery charger.
2. Connect the other end of the power cord for the battery charger in an grounded mains socket. The LED on the battery charger flashes green one time. (Fig. 47)
3. Put the battery in the battery charger. The green light on the charger comes on when the battery is correctly connected to the battery charger. (Fig. 48)
4. When all LEDs on the battery have come on the battery is fully charged. Charge the battery for maximum 24 hours.
5. To disconnect the battery charger from the mains socket, pull the plug, not the power cord.
6. Remove the battery from the battery charger.

## Battery charging status

A Husqvarna Li-ion battery can be charged or used at all charging levels. The battery is not damaged. A fully charged battery will not decrease its charge when the battery is left in the charger.

LED display	Charging status
LED 1 flashes	0%-25%
LED 1 is lit, LED 2 flashes	25%-50%



LED display	Charging status
LED 1, LED 2 are lit, LED 3 flashes	50%-75%
LED 1, LED 2, LED 3 are lit, LED 4 flashes	75%-100%
LED 1, LED 2, LED 3, LED 4 are lit	Fully charged

## To charge the multi battery

**Note:** Charge the battery if it is the first time that you use it. A new battery is only 30% charged.

1. Make sure that the battery is dry.
2. Connect the multi battery to the adapter. (Fig. 49)
3. Put the adapter in the battery charger.
4. Make sure that the green charging LED on the battery charger comes on. That means that the adapter and multi battery are connected correctly. (Fig. 50)
5. When all LEDs on the battery come on and the adapter shows 100%, the battery is fully charged. (Fig. 51)

The adapter shows the state of charge in steps of 1%. Small deviations are possible at the start of the charge.

6. To disconnect the battery charger from the mains socket, pull the plug. Do not pull the cable.
7. Remove the adapter from the battery charger.
8. Remove the multi battery from the adapter.

**Note:** Refer to the multi battery and battery charger manuals for more information.

## To start the product

1. Lift the battery lid.
2. Put a charged battery in battery slot number 1 below the battery lid. For longer operation time, put a second charged battery in battery slot number 2.
3. Disconnect the safety key from the safety key holder.
4. Push the safety key into the safety lock. (Fig. 52)
5. Stay behind the product.
6. Push the ON/OFF button on the control panel. The display comes on.
7. Loosen the start inhibitor. (Fig. 21)
8. Push the motor brake handle in the direction of the handlebar. (Fig. 53)

## To use the drive on the wheels

- Pull the drive bail in the direction of the handlebar to start the drive. (Fig. 54)

- Push + and - on the control panel to set the drive speed in 4 steps. (Fig. 55)
- Release the drive bail to disengage the drive, for example when you go near an obstacle.

## To use the SavE function

The product has a battery saving function (SavE) that gives longer operation time.

1. Push the SavE button (A) to start the function. The SavE symbol (B) on the display comes on.
2. Push the SavE button again to stop the function. The SavE symbol (B) on the display goes out. (Fig. 56)

The SavE function stops automatically if the ground conditions make it necessary to have a higher output. The SavE function starts automatically again when the ground conditions let it.

## PowerBoost function

When the product cuts long or wet grass, the motor automatically increases rpm. To save battery time, the motor goes back to standard mode automatically when the PowerBoost function is not necessary.

## To stop the product

The product stops automatically if you do not operate it for 3 minutes.

1. Release the motor brake handle to stop the motor. (Fig. 20)
2. Push the ON/OFF button on the control panel. All LED lights and symbols on the display go out. (Fig. 57)
3. Remove the safety key from the safety lock and put it in the safety key holder.

## To get a good result

- Always use a sharp blade. A blunt blade gives an irregular result and the cut surface of the grass becomes yellow. A sharp blade also uses less energy than a blunt blade.
- Do not cut more than  $\frac{1}{3}$  of the length of the grass. Cut first with the cutting height set high. Examine the result and lower the cutting height to an applicable level. If the grass is very long, drive slowly and cut 2 times if necessary.
- Cut in different directions each time to prevent stripes in the lawn.

## To cut grass without a grass catcher or mulch plug attached

1. Lift up the rear cover and remove the grass catcher.
2. If a mulch plug and a mulch blade are attached, remove them.
3. Close the rear cover before you operate the product.

When you operate the product, the cut grass discharges below the rear cover.

## Maintenance

### Introduction



**WARNING:** Before you do maintenance, you must read and understand the safety chapter.

For all servicing and repair work on the product, special training is necessary. We guarantee the availability of professional repairs and servicing. If your dealer is not a

service agent, speak to them for information about the nearest service agent.

### Maintenance schedule

The maintenance intervals are calculated from daily use of the product. The intervals change if the product is not used daily.

For maintenance identified with \*, refer to *Safety instructions for operation on page 18*.

	Each use	Monthly	Each season
Do a general inspection	X		
Clean the transmission covers. Make sure that the motor does not have grass on it	X		
Do a check of the start inhibitor *	X		
Make sure that the safety devices on the product are not defective *	X		
Check the grass catcher for wear or deterioration	X		
Examine the cutting equipment	X		
Examine the cutting cover *	X		
Do a check of the motor brake handle *	X		
Make sure that the ON/OFF button operates correctly and is not defective	X		
Examine the battery for damage	X		
Do a check of the battery charge	X		
Make sure that the release buttons on the battery operates correctly and that the battery locks into the product	X		
Clean the air intakes. Make sure that the air intakes does not have grass or dirt on them	X		
Examine the battery charger for damage and make sure that it operates correctly		X	
Clean below the clutch cover		X	
Examine the connections between the battery and the product. Also examine the connection between the battery and the battery charger			X

### To do a general inspection

- Make sure that the nuts and screws on the product are tightened.
- Make sure that the cables on the product are not in a position where they can get damaged.

### To replace the blade

1. Lock the blade with a block of wood. (Fig. 58)

2. Remove the blade bolt, the spring washer and the blade. (Fig. 59)
3. Examine the blade support and blade bolt for damages.
  - a) If you replace the blade or the blade support, also replace the blade bolt, the spring washer and the friction washer.

4. Examine the motor shaft to make sure that it is not bent.
5. When you attach the new blade, make sure that the bent ends point in the direction of the cutting cover. (Fig. 60)
6. Put the friction washer and the blade against the blade support. (Fig. 61)
7. Make sure that the blade aligns with the center of the motor shaft. (Fig. 62)
8. Lock the blade with a block of wood. (Fig. 63)
9. Attach the spring washer and tighten the bolt with a torque of 65-75 Nm. (Fig. 64)
10. Pull the blade around by hand and make sure that it turns freely.



**WARNING:** Use protective gloves. The blade is very sharp and cuts can easily occur.

11. Start the product to do a test of the blade. If the blade is not correctly attached, there is vibration in the product or the cutting result is unsatisfactory.

## To clean the product

- Clean plastic parts with a clean and dry cloth.
- Do not use water to clean the product. Water can enter the battery or the motor and cause short circuit or damage to the product.
- Do not use a high pressure washer to clean the product.
- Do not flush water directly on the motor.
- Use a brush to remove leaves, grass and dirt.
- Remove the clutch cover, use a brush to remove grass below the clutch cover.

## To clean the battery and the battery charger



**CAUTION:** Do not clean the battery or the battery charger with water.

- Make sure that the battery and the battery charger are clean and dry before you put the battery into the battery charger.
- Clean the battery terminals with compressed air or use a soft and dry cloth.
- Clean the surfaces of the battery and the battery charger with a soft and dry cloth.

## To examine the cutting equipment



**WARNING:** To prevent accidental start, pull up the safety key, remove the battery and wait a minimum 5 seconds.



**WARNING:** Use protective gloves when you do maintenance on the cutting equipment. The blade is very sharp and cuts can easily occur.

1. Examine the cutting equipment for damage or cracks. Always replace a damaged cutting equipment.
2. Look at the blade to see if it is damaged or blunt.

**Note:** It is necessary to balance the blade after it is sharpened. Let a service center sharpen, replace and balance the blade. If you hit an obstacle that causes the product to stop, replace the damaged blade. Let the service center estimate if the blade can be sharpened or must be replaced.

# Troubleshooting

## Battery

LED on the battery	Possible faults	Possible procedure
The green LED is flashing	The battery voltage is low	Charge the battery. See <i>To charge the battery on page 24.</i>

LED on the battery	Possible faults	Possible procedure
The error LED flashes	The battery is weak	Charge the battery. See <i>Battery on page 27</i> .
	The temperature in the work environment is too high or too low	Use the battery in temperatures between -10°C and 40°C.
	Overvoltage	Check that the mains voltage is the same as on the rating plate on the product.
Remove the battery from the battery charger. Wait 5 seconds and try again to charge the battery. If the problem continues, speak to an authorised service agent.		
The error LED is on	Cell difference too much (1V)	Speak to an approved service agent.

## Battery charger

LED on the battery charger	Possible faults	Possible procedure
The error LED flashes	The temperature in the work environment is too high or too low	Use the battery charger in temperatures between 5°C and 40°C.
The error LED is on		Speak to an approved service agent

## Control panel

Error code (Number of flashes)	Possible faults	Possible procedure
1	The transmission motor is too hot.	Let the product become cool. Make sure that the transmission does not have grass on it. Clean the transmission cover if it is necessary.
5	The motor speed decreases too much, and the motor stops.	Clean the cutting deck and increase the cutting height. Refer to <i>To set the cutting height on page 24</i> . If the error stays, speak to your approved service agent.
8	The battery is weak.	Charge the battery. Refer to <i>To charge the battery on page 24</i> .
9	Battery error or no signal from battery.	Put the battery in the product correctly and examine the battery connector. If the error LED on the battery flashes, refer to <i>Battery on page 24</i> .
10	The motor control is too hot.	Stop the motor and wait until it is cool.
Other errors	If other errors occur, remove the safety key and the battery and speak to an approved service agent.	

---

# Transportation, storage and disposal

---

## Introduction



**WARNING:** To prevent unintentional start during transport pull up the safety key, remove the battery and wait at least 5 seconds.

---

## To set the product in transport position

1. Loosen the lower knobs.
2. Move the knobs to the lower end of the grooves on the left and the right side of the product. (Fig. 30)
3. Fold the handle forward. (Fig. 65)
4. Remove the grass catcher.

## Transportation

- The Dangerous Goods Legislation requirements apply to the contained Li-ion batteries.
- For commercial transports special requirements on package and labels must be obeyed.
- Make sure that you obey the regulations for dangerous material when you prepare the product for transport. Local regulations can apply.
- Always remove the battery for transport.
- Put tape on the battery connectors and make sure that the battery cannot move around during transport.
- Attach the product during transport.

## Storage

- Always remove the battery for storage.
- To prevent accidents, make sure that the battery is not connected to the product during storage.

- Keep the battery charger in a closed and dry space.
- Keep the battery and the battery charger in a dry space where there is no moisture or frost.
- Disconnect the battery from the battery charger during storage.
- Do not keep the battery where static electricity can occur. Do not keep the battery in a metal box.
- Keep the battery where the temperature is between 5°C and 25°C and out of sunlight.
- Keep the battery charger where the temperature is between 5°C and 45°C and out of sunlight.
- Make sure that the battery is charged to 30% - 50% before you put it in storage for long periods.
- Keep the product, battery and battery charger in a locked area out of reach for children and not approved persons.
- Clean the product and do a complete servicing before you put the product in storage for a long time.

## Disposal

Symbols on the product or the packaging of the product indicate that this product cannot be handled as domestic waste. It must be submitted to an appropriate recycling station for the recovery of electrical and electronic equipment.

By ensuring that this product is taken care of correctly, you can help to counteract the potential negative impact on the environment and people that can otherwise result through the incorrect waste management of this product. For more detailed information about recycling this product, contact your municipality, your domestic waste service or the shop from where you purchased the product.

(Fig. 66)

---

# Technical data

---

## Technical data

	W520i
<b>Cutting motor</b>	
Motor type	BLDC (brushless) 36V
Motor speed – SavE, rpm*	2600
Motor speed – Nominal, rpm*	3000
Motor speed – High load, rpm*	3300
Motor output – max. kW / hp	1.8 / 2.4
Motor output – Nominal, kW / hp	1.5 / 2.0
<b>Drive motor</b>	

	<b>W520i</b>
Motor output – Nominal, kW / hp	0.3 / 0.4
Self walk speed, km/h / mi/h	3.0–5.0 / 1.9-3.1
Speed adjustment levels	4
<b>Weight</b>	
Weight without battery, kg / lbs	41 / 90.4
<b>Battery</b>	
Type of battery	Husqvarna Battery Series
<b>Battery runtime</b>	
Battery runtime, min, (free run) with SavE activated, with one Husqvarna 5.2 Ah battery (BLi200).	30
Battery runtime, min, (free run) with standard mode activated, with one Husqvarna 5.2 Ah battery (BLi200).	20
<b>Cutting equipment</b>	
Cutting height, mm / in	37-114 / 1.45-4.5
Cutting width, cm / in	51 / 20
Blade standard	Collect blade 597466310
Blade accessory	Mulch blade 597466410
Grass catcher capacity, l / cu.ft	65 / 2.3

\* Revolutions per minute

Approved batteries	Type	Battery capacity, Ah	Voltage, V	Weight, lb/kg
BLi200	Lithium-ion	5.2	36	2.8/1.3
BLi300	Lithium-ion	9.4	36	4.1/1.9
BLi950X	Lithium-ion	31.1	36	15.4/7.0

Approved chargers for the specified batteries, BLi	Input voltage, V	Frequency, Hz	Power, W
QC330	100–240	50–60	330
QC500	100–240	50–60	500

---

# Table des matières

---

Introduction.....	31	Entretien.....	50
Sécurité.....	33	Dépannage.....	51
Montage.....	46	Transport, entreposage et mise au rebut.....	53
Fonctionnement.....	47	Données techniques.....	53

---

## Introduction

---

### Description du produit

Le produit est une tondeuse rotative à conducteur accompagnant. L'herbe est recueillie dans un collecteur d'herbe. Retirer le collecteur d'herbe afin d'activer la décharge arrière de l'herbe. Fixer une trousse de broyeur (accessoire) pour couper l'herbe en engrais.

### Utilisation prévue

Utiliser l'outil pour couper l'herbe. Ne pas utiliser l'outil pour d'autres tâches.

### Présentation du produit

(Fig. 1)

1. Panneau de commande
2. Poignée de freinage du moteur
3. Commande antidémarrage
4. Collecteur d'herbe
5. Couvercle arrière
6. Clé de sécurité
7. Bouton de poignée
8. Couvercle de batterie
9. Commande de hauteur de coupe
10. Bouton ON/OFF (marche/arrêt)
11. Bouton SavE (économie)
12. Indicateur SavE (économie)
13. Indicateur d'état de la batterie
14. Indicateur de niveau de vitesse
15. Bouton de réduction de vitesse
16. Bouton d'augmentation de vitesse
17. DEL d'erreur
18. Carter de coupe
19. Prises d'air
20. Plaque signalétique
21. Barre d'entraînement
22. Chargeur de batterie (accessoire)
23. Batterie (accessoire)
24. Batterie multiple (accessoire)
25. Plaque d'adaptateur (accessoire)
26. Adaptateur de batterie multiple (accessoire)
27. Manuel d'utilisation

dangereux et causer des blessures très graves, ou même mortelles, à l'utilisateur et à d'autres personnes. Faire attention et utiliser le produit correctement.

(Fig. 3)

Lire soigneusement le manuel d'instructions et veiller à bien comprendre les directives avant d'utiliser cette machine.

(Fig. 4)

Garder les mains et les pieds à l'écart des lames en rotation.

(Fig. 5)

Garder les personnes et les animaux à une distance sécuritaire de l'aire de travail.

### Symboles figurant sur l'outil

(Fig. 2)

**AVERTISSEMENT : Ce produit peut être**

- (Fig. 6) Faire attention aux objets projetés et aux ricochets.
- (Fig. 7) Avertissement : Garder les mains et les pieds à l'écart de la lame en rotation.
- (Fig. 8) Avertissement : Garder les mains et les pieds à l'écart des pièces en rotation.
- (Fig. 9) Avant de reculer, regarder derrière et vers le bas pour vérifier la présence éventuelle de petits enfants, d'animaux ou autres risques de chute.
- (Fig. 10) Garder les personnes et les animaux à une distance sécuritaire de l'aire de travail.
- (Fig. 11) Risques liés aux travaux sur les pentes.
- (Fig. 12) Retirer la clé de sécurité avant d'effectuer des travaux de réparation ou d'entretien.
- (Fig. 13) **Marque environnementale.** Le produit ou son emballage n'est pas un

déchet domestique. Il faut l'envoyer dans un centre de recyclage pour équipements électriques et électroniques.

## **IPX4** Protégé contre les éclaboussures d'eau.

- (Fig. 18) Procédure de démarrage : appuyer sur le bouton ON/OFF (marche/arrêt), desserrer le dispositif antidémarrage et appuyer la poignée de frein moteur vers le bas.

- (Fig. 14) Relâcher la poignée de freinage du moteur pour arrêter.

- (Fig. 15) Lent.

- (Fig. 16) Rapide.

- (Fig. 17) Code à numériser

---

**Remarque :** Les autres symboles et autocollants apposés sur le produit se rapportent aux exigences en matière de certification pour certains marchés.

---

## **Étiquette apposée sur le produit** (Fig. 19)

Garder les mains et les pieds à l'écart des lames en rotation.

### **Responsabilité concernant le produit**

Comme indiqué dans les lois en vigueur sur la responsabilité concernant les produits, nous ne serons



pas tenus responsables des dommages que notre produit causerait dans les situations suivantes :

- Le produit n'est pas réparé de façon adéquate.
- Le produit est réparé avec des pièces qui ne sont pas fournies ou homologuées par le fabricant.

- Le produit comprend un accessoire qui n'est pas fourni ou homologué par le fabricant.
- Le produit n'est pas réparé par un centre de service après-vente agréé ou par une autorité homologuée.

---

## Sécurité

---

### Définitions relatives à la sécurité

Les avertissements, recommandations et remarques soulignent des points du manuel qui revêtent une importance particulière.



#### AVERTISSEMENT :

Indique la présence d'un risque de blessure ou de décès de l'utilisateur ou de personnes à proximité si les instructions du manuel ne sont pas suivies.



#### MISE EN GARDE :

Indique la présence d'un risque de dommages au produit, à d'autres appareils ou à la zone adjacente si les instructions du manuel ne sont pas suivies.

**Remarque :** Utilisé pour donner des renseignements plus

détaillés qui sont nécessaires dans une situation donnée.

### Pratiques de sécurité pour les tondeuses à conducteur à pieds

#### Informations générales



**AVERTISSEMENT :** Lire les messages d'avertissement qui suivent avant d'utiliser l'appareil.



**AVERTISSEMENT :** Ce produit peut amputer les mains et les pieds et projeter des objets. Le non-respect des consignes de sécurité suivantes peut entraîner des blessures graves ou mortelles.

- Lire, comprendre et suivre les instructions et les avertissements de ce document, du manuel de l'opérateur et ceux apposés sur le produit, sur le moteur et sur les accessoires.

- Ne laisser que des opérateurs responsables, formés, qui connaissent les instructions et qui sont physiquement aptes à utiliser le produit.
- Ne pas transporter des passagers et tenir toute personne à distance.
- Ne pas manœuvrer le produit sous l'influence de l'alcool ou de drogues.
- Respecter les recommandations du fabricant en ce qui touche le poids des roues ou les contrepoids.
- Ne pas faire fonctionner le produit sans le collecteur d'herbe, la goulotte d'éjection ou tout autre dispositif de sécurité en place et en fonction. Vérifier régulièrement pour détecter des signes éventuels d'usure ou de détérioration et remplacer au besoin.
- Porter un équipement de protection personnelle approprié, notamment des lunettes de sécurité, des protecteurs d'oreille et des chaussures.

## Préparation avant utilisation



**AVERTISSEMENT** : Lire les messages d'avertissement qui suivent avant d'utiliser l'appareil.

- Dégager la zone de travail de tout objet qui pourrait être projeté par le produit ou qui pourrait interférer avec son fonctionnement.
- Ne pas laisser les personnes situées à proximité s'approcher de la zone de travail, en particulier les jeunes enfants. Arrêter le produit et les accessoires si quelqu'un s'introduit dans la zone.

## Fonctionnement



**AVERTISSEMENT** : Lire les messages d'avertissement qui suivent avant d'utiliser l'appareil.

- Pour les produits avec moteur à essence : Mettre en marche le moteur seulement dans des zones bien ventilées. Les gaz d'échappement contiennent du monoxyde de carbone, un poison mortel.
- N'utiliser le produit qu'à la lumière du jour ou avec un bon éclairage d'appoint.
- Éviter les trous, les sillons, les bosses, les pierres ou d'autres dangers non

évidents. Un terrain irrégulier peut causer le retournement du produit ou une perte d'équilibre ou d'appui de l'opérateur.

- Ne jamais placer les mains ou les pieds près des pièces en mouvement ou sous le produit. Toujours se tenir à l'écart de l'ouverture d'éjection.
- Ne pas éjecter de matériaux en direction d'une personne. Éviter de projeter du matériel contre un mur ou tout obstacle. Les matériaux peuvent ricocher et revenir vers l'opérateur. Arrêter les lames au moment de circuler sur des surfaces de gravier.
- Ne pas laisser un produit en marche sans surveillance. Toujours stationner sur une surface plane, désengager les accessoires, serrer le frein de stationnement et arrêter le moteur.
- Ne pas tondre en marche arrière à moins que ce ne soit absolument nécessaire. Regarder toujours au sol et en arrière avant et pendant la marche arrière.

## Instructions spécifiques aux enfants

---



**AVERTISSEMENT** : Lire les messages d'avertissement qui suivent avant d'utiliser l'appareil.

---

- Des accidents tragiques peuvent se produire si l'utilisateur n'est pas alerte à la présence d'enfants. Les enfants sont souvent attirés par le produit et la tonte de la pelouse. Ne jamais supposer que les enfants resteront là où ils ont été vus pour la dernière fois.
- Tenir les enfants éloignés de la zone de travail et sous la supervision d'un adulte responsable, autre que l'opérateur.

## Instructions spécifiques aux pentes

---



**AVERTISSEMENT** : Lire les messages d'avertissement qui suivent avant d'utiliser l'appareil.

---



**AVERTISSEMENT** : Les pentes sont un facteur majeur lié aux accidents.

L'utilisation dans les pentes nécessite la plus grande prudence.

---

## Informations spécifiques au feu et au carburant (pour les produits avec moteur à essence)

---



**AVERTISSEMENT** : Lire les messages d'avertissement qui suivent avant d'utiliser l'appareil.

---

- Se déplacer dans la direction recommandée par le fabricant sur les pentes. Faire preuve de prudence lors de l'utilisation à proximité de pentes.
  - Éviter de tondre de l'herbe mouillée. Un appui au sol irrégulier pourrait causer une chute accidentelle.
  - Ne pas utiliser le produit dans une condition quelconque où la traction, la direction ou la stabilité est mise en question. Les pneus peuvent patiner même si les roues sont immobiles.
  - Garder toujours le produit embrayé en descendant des pentes. Ne pas descendre une pente en roue libre.
  - Éviter de démarrer et d'arrêter sur une pente. Éviter les changements brusques de vitesse ou de direction. Tourner lentement et progressivement.
  - Observer la plus grande prudence en utilisant le produit avec un collecteur d'herbe ou tout autre accessoire. Ceux-ci peuvent affecter la stabilité du produit.
- Éteindre cigarettes, cigares, pipes et autres sources d'allumage.
  - N'utiliser que des récipients de carburant approuvés.
  - Ne pas retirer le bouchon du réservoir ni ajouter de l'essence lorsque le moteur est en marche ou qu'il est chaud.
  - Ne pas faire le plein à l'intérieur ou dans des endroits mal ventilés.
  - Ne pas entreposer le produit ou le bidon d'essence ou encore faire le plein à proximité d'une flamme nue, d'étincelles, d'une veilleuse comme on en trouve dans un chauffe-eau ou dans tout autre appareil similaire.
  - En cas de déversement de carburant, ne pas essayer de faire démarrer le moteur et éviter ainsi toute source

d'ignition jusqu'à la disparition des vapeurs de carburant.

- Pour éviter les incendies : débarrasser le produit de l'herbe, des feuilles ou de tout autre débris, nettoyer les déversements d'huile ou de carburant et retirer les débris imbibés de carburant; laisser le produit refroidir avant de le remiser.
- Être particulièrement prudent lors de la manipulation d'essence ou de tout autre carburant. Ils sont inflammables et leurs vapeurs peuvent être la cause d'explosion.

## Transport



**AVERTISSEMENT** : Lire les messages d'avertissement qui suivent avant d'utiliser l'appareil.

- Utiliser des rampes pleine largeur pour charger ou décharger le produit à des fins de transport.

## Service



**AVERTISSEMENT** : Lire les messages d'avertissement qui

suivent avant d'utiliser l'appareil.

- Garder le produit en bon état d'utilisation. Remplacer les pièces usées ou abîmées.
- Faire preuve de prudence lors de l'entretien des lames. Envelopper les lames ou porter des gants. Remplacer les lames endommagées. Ne pas réparer ou modifier les lames.
- Produits avec pompes hydrauliques, flexibles ou moteurs et/ou systèmes d'injection diesel :



### **AVERTISSEMENT** :

Le liquide qui s'échappe sous pression peut avoir une force suffisante pour pénétrer la peau et provoquer des blessures très graves. Si du liquide est injecté sous la peau, consulter immédiatement un médecin. Garder le corps et les mains à l'écart des trous de goupilles et des gicleurs qui projettent du fluide sous haute pression. En cas de

fuite, faire réparer immédiatement le produit par un technicien qualifié.

- Selon l'équipement, débrancher le câble de la bougie d'allumage et le câble négatif de la batterie avant d'effectuer toute réparation.

## Consignes générales de sécurité



**AVERTISSEMENT** : Lire les messages d'avertissement qui suivent avant d'utiliser l'outil.

- Ce produit est dangereux s'il est mal utilisé ou si on ne fait pas attention. Des blessures ou la mort peuvent se produire si les consignes de sécurité ne sont pas respectées.
- Ce produit produit un champ électromagnétique pendant le fonctionnement. Ce champ magnétique peut, dans certains cas, nuire aux implants médicaux actifs ou passifs. Pour réduire le risque de blessures graves ou mortelles, nous recommandons aux personnes ayant des implants médicaux de consulter leur médecin et le fabricant de l'implant médical avant d'utiliser le produit.
- Toujours rester prudent et faire preuve de bon sens. En cas de doute sur la manière de faire fonctionner le produit dans une situation particulière, arrêter et parler à votre détaillant Husqvarna avant de continuer.
- Garder en tête que l'opérateur est tenu responsable des accidents qui impliquent d'autres personnes, ou leurs biens.
- Toujours garder le produit propre. S'assurer de pouvoir lire clairement les signes et les autocollants.
- Ne jamais autoriser des enfants ni des personnes qui n'ont pas pris connaissance de ces instructions à utiliser l'appareil. Les réglementations locales peuvent imposer des restrictions sur l'âge de l'utilisateur.
- Toujours surveiller les personnes qui ont des capacités physiques ou mentales réduites et qui utilisent l'outil. Un adulte responsable doit être présent à tout moment.

- Ne pas utiliser le produit en cas de fatigue ou sous l'emprise de l'alcool, de drogues ou de médicaments. Cela a un effet négatif sur votre vision, votre vigilance, votre coordination et votre jugement.
- Ne pas utiliser le produit s'il est défectueux.
- Ne pas modifier ce produit ni l'utiliser s'il y a une possibilité qu'il ait été modifié par autrui.

## Sécurité de l'aire de travail



**AVERTISSEMENT** : Lire les messages d'avertissement qui suivent avant d'utiliser l'appareil.

- Retirer les objets comme des branches, des brindilles et des pierres de la zone de travail avant d'utiliser le produit.
- Les objets qui heurtent l'équipement de coupe peuvent être projetés et causer des dommages aux personnes et aux objets environnants. Garder les personnes et les animaux à une distance de sécurité du produit.
- Ne jamais utiliser le produit par mauvais temps (brouillard, pluie, vents violents, froid intense, risque de foudre, etc.) L'utilisation du produit par mauvais temps ou dans des endroits humides ou mouillés est fatigante. Le mauvais temps peut entraîner des conditions dangereuses, telles que des surfaces glissantes.
- Rester à l'affût des personnes, des objets et des situations susceptibles d'entraver l'utilisation sécuritaire du produit.
- Repérer les obstacles, tels que les racines, les pierres, les brindilles, les fosses et les fossés. L'herbe longue peut dissimuler des obstacles.
- La coupe de l'herbe sur des pentes peut être dangereuse. Ne pas tondre dans les pentes trop importantes. Ne pas utiliser le produit sur un sol dont la pente est supérieure à 15°.
- Faire preuve d'extrême prudence lors des changements de direction dans les pentes. Utiliser le produit à angle droit de la pente. Ne pas se déplacer vers le haut ou vers le bas.
- Faire preuve de prudence à l'approche des recoins et des

objets qui peuvent obstruer la vue.

## Sécurité du travail

---



**AVERTISSEMENT** : Lire les messages d'avertissement qui suivent avant d'utiliser l'outil.

---

- Utiliser ce produit seulement pour couper l'herbe des pelouses. Il est interdit de l'utiliser pour d'autres travaux.
- Utiliser de l'équipement de protection individuelle. Se reporter à la section *Équipement de protection personnelle à la page 41*.
- S'assurer de savoir comment arrêter rapidement le moteur en cas d'urgence.
- Ne pas utiliser l'outil dans une zone mouillée. Le risque de décharge électrique augmente si de l'eau pénètre dans le produit.
- Ne faire fonctionner le produit que si la lame et tous les capots sont fixés de façon adéquate. Une lame mal fixée risque de se détacher et d'occasionner des blessures personnelles.
- S'assurer que la lame ne touche pas les objets tels que les pierres et les racines. Cela peut endommager la lame et tordre l'arbre du moteur. Un essieu tordu peut engendrer de fortes vibrations et occasionner un risque important que la lame se détache.
- Si la lame heurte un objet ou si des vibrations se produisent, arrêter immédiatement le produit. Arrêter le moteur, tirer la clé de sécurité vers le haut et retirer la batterie. Examiner le produit pour détecter d'éventuels dommages. Réparer les dommages ou laisser un agent d'entretien agréé faire la réparation.
- Ne jamais fixer la poignée de frein moteur en permanence à la poignée lorsque le moteur a démarré.
- Placer le produit sur une surface stable et plane et le lancer. Vérifier que l'outil de coupe ne touche pas le sol ou tout autre objet.
- Toujours rester derrière le produit lorsqu'on l'utilise.
- Lors de l'utilisation du produit, laisser toutes les roues reposer au sol et garder les deux mains sur la poignée.



Garder les mains et les pieds à l'écart des lames en rotation.

- Ne pas incliner le produit alors que le moteur est en marche.
- Rester prudent lorsqu'on tire le produit vers l'arrière.
- Ne jamais soulever le produit alors que le moteur est en marche. Si on doit soulever le produit, couper d'abord le moteur, tirer la clé de sécurité vers le haut et retirer la batterie.
- Ne pas utiliser le produit en marche arrière.
- Couper le moteur lorsqu'on se déplace dans une zone sans herbe, par exemple les chemins de gravier, de pierre et d'asphalte.
- Ne pas courir avec le produit alors que le moteur est en marche. Toujours marcher lors de l'utilisation du produit.
- Arrêter le moteur avant de changer la hauteur de coupe. Ne jamais faire de réglage alors que le moteur est en marche.
- Ne jamais laisser le produit rester hors de vue alors que le moteur est en marche. Arrêter le moteur et vérifier que l'outil de coupe ne tourne pas.

## Consignes de sécurité pour l'utilisation

### Équipement de protection personnelle



**AVERTISSEMENT** : Lire les messages d'avertissement qui suivent avant d'utiliser l'appareil.

---

- Cet équipement de protection personnelle n'élimine pas complètement les risques de blessures, mais il peut en réduire la gravité en cas d'accident. Laisser le concessionnaire vous aider à sélectionner l'équipement adéquat.
- Utiliser des bottes ou des chaussures antidérapantes robustes. Ne pas utiliser des chaussures ouvertes ou rester les pieds nus.
- Porter un pantalon long et robuste.
- Utiliser des gants de protection au besoin, par exemple lors de la fixation, de l'examen ou du nettoyage de l'équipement de coupe.

## Dispositifs de sécurité sur l'outil



**AVERTISSEMENT** : Lire les messages d'avertissement qui suivent avant d'utiliser l'outil.

- Ne pas utiliser un outil dont les dispositifs de protection sont défectueux.
- Vérifier régulièrement les dispositifs de sécurité. Si les dispositifs de sécurité sont défectueux, parler à votre agent d'entretien Husqvarna.

### Vérification du carter de coupe

Le carter de coupe réduit les vibrations dans le produit et diminue le risque de blessure par la lame.

- Examiner le carter de coupe pour s'assurer qu'il n'y a pas de dommages tels que des fissures.

### Clé de sécurité

La clé de sécurité se trouve sous le couvercle de la batterie. Elle relie la batterie qui alimente le moteur.

### Vérification de la clé de sécurité

Elle relie la batterie qui alimente le moteur.

- Démarrage et arrêt du moteur. Si la clé de sécurité fonctionne correctement, le moteur ne peut démarrer que lorsque la clé est placée dans le verrou de sécurité.

### Poignée de freinage du moteur

La poignée de freinage du moteur permet de couper le moteur. Lorsqu'on relâche la poignée de freinage du moteur, le moteur s'arrête.

Pour effectuer l'inspection du frein du moteur, démarrer le moteur, puis relâcher la poignée de freinage du moteur. Si le moteur ne s'arrête pas en 3 secondes, communiquer avec un agent d'entretien Husqvarna agréé pour régler le frein du moteur.

(Fig. 20)

### Vérification de la commande antidémarrage

Vérifier la commande antidémarrage pour veiller à qu'elle n'empêche pas le fonctionnement du moteur.

1. Pousser la poignée de freinage du moteur vers le guidon. La commande antidémarrage arrête le mouvement.

2. Sortir la commande antidémarrage. (Fig. 21)
3. Relâcher la commande antidémarrage et s'assurer qu'elle retourne à sa position initiale.

## Sécurité en matière de batteries



**AVERTISSEMENT** : Lire les messages d'avertissement qui suivent avant d'utiliser l'outil.

- Utiliser des piles rechargeables Husqvarna en tant que source d'alimentation pour les produits associés Husqvarna seulement. Pour éviter les blessures, ne pas utiliser la batterie en tant que source d'alimentation pour d'autres appareils.
- Ne pas utiliser des batteries non rechargeables.
- Risque de décharge électrique. Ne pas raccorder les bornes de la batterie à des clés, des pièces de monnaie, des vis ou tout autre élément métallique. Cela peut provoquer un court-circuit de la batterie.
- Ne pas placer d'objet dans les fentes de ventilation de la batterie.
- Maintenir la batterie à l'écart de la lumière du soleil, de la chaleur et des flammes nues. La batterie peut exploser et causer des brûlures et/ou des brûlures chimiques.
- Garder la batterie à l'écart de la pluie et de l'humidité.
- Garder la batterie à l'écart des micro-ondes et des pressions élevées.
- Ne pas essayer de démonter ou de briser la batterie.
- S'il y a une fuite au niveau de la batterie, ne pas laisser le liquide toucher la peau ou les yeux. Si on touche le liquide, nettoyer la zone avec une grande quantité d'eau et consulter un médecin.
- Utiliser la batterie à une température comprise entre -10 °C et 40 °C.
- Ne pas nettoyer la batterie ou le chargeur de batterie avec de l'eau. Voir *Pour nettoyer la batterie et le chargeur de batterie. à la page 51.*
- Ne pas utiliser une batterie défectueuse ou endommagée.
- Garder les piles dans le local de rangement, à l'écart des objets métalliques tels que les

clous, les pièces de monnaie et les bijoux.

## Sécurité du chargeur de batteries



**AVERTISSEMENT** : Lire les messages d'avertissement qui suivent avant d'utiliser l'outil.

- Utiliser les chargeurs de batterie QC pour charger les batteries de rechange Husqvarna seulement.
- Risque de décharge électrique et de court-circuit. Ne pas placer d'objet dans les fentes du chargeur. Ne pas essayer de démonter le chargeur de batterie. Ne jamais raccorder les bornes du chargeur à un objet en métal. Utiliser une prise secteur approuvée.
- Ce produit produit un champ électromagnétique pendant le fonctionnement. Ce champ magnétique peut, dans certains cas, nuire aux implants médicaux actifs ou passifs. Pour réduire le risque de blessures graves ou mortelles, nous recommandons aux personnes ayant des implants médicaux de consulter leur médecin et le fabricant de l'implant médical avant d'utiliser le produit.
- S'assurer régulièrement que le cordon d'alimentation du chargeur de batterie est intact et qu'il ne présente pas de fissure.
- Ne pas soulever le chargeur de batterie au moyen du cordon d'alimentation. Pour débrancher le chargeur de batteries de la prise murale, tirer la fiche. Ne pas tirer le cordon d'alimentation.
- Tenir le cordon d'alimentation et les rallonges à l'abri de l'eau, de l'huile et des arrêtes coupantes. S'assurer que le câble n'est pas coincé dans une porte, une barrière ou quoique ce soit de semblable. Cela pourrait mettre le chargeur sous tension.
- Ne pas nettoyer la batterie ou le chargeur de batterie avec de l'eau.
- Le chargeur de batterie peut être utilisé par des enfants âgés de 8 ans et plus, des personnes à capacités physique, mentale ou sensorielle réduites ou des personnes avec un manque d'expérience et de connaissances s'ils sont

supervisés ou s'ils ont reçu des instructions concernant l'utilisation du chargeur de batterie de manière sécuritaire et s'ils comprennent les risques impliqués. Les enfants ne doivent pas jouer avec le chargeur de batterie. Le nettoyage et l'entretien ne doivent pas être effectués par un enfant sans supervision.

- Ne pas tenter de charger une batterie non rechargeable dans le chargeur.
- Ne pas utiliser le chargeur de batterie à proximité de matériaux inflammables ou de matériaux qui peuvent engendrer une corrosion. Ne pas essayer de couvrir le chargeur de batterie. Débrancher la prise du chargeur de batterie en cas de fumée ou d'incendie.
- Ne pas utiliser un chargeur de batterie défectueux ou endommagé.
- Recharger la batterie seulement dans un endroit clos avec une bonne ventilation et à l'écart de la lumière. Ne pas charger la batterie dans des conditions humides.

## Consignes de sécurité pour la maintenance



**AVERTISSEMENT** : Lire les messages d'avertissement qui suivent avant d'utiliser l'outil.

---

- Retirer la clé de sécurité avant d'effectuer l'entretien de l'outil.
- Effectuer les travaux d'entretien de façon adéquate afin d'augmenter la durée de vie de l'outil et réduire le risque d'accidents. Demander à un agent d'entretien agréé de remplacer l'interrupteur d'arrêt. Parler à votre agent d'entretien le plus proche pour obtenir des renseignements supplémentaires.
- N'effectuer que les travaux d'entretien tel qu'indiqué dans ce manuel d'utilisation.
- Porter des gants de protection robustes lors de l'utilisation de l'équipement de coupe. La lame est très affûtée et des coupures peuvent se produire facilement.
- Maintenir les bords tranchants aiguisés et propres pour obtenir le meilleur rendement et le fonctionnement le plus sûr.

- Demander régulièrement à l'agent d'entretien de vérifier l'outil et d'effectuer les ajustements et les réparations nécessaires.
- Remplacer les pièces endommagées, usées ou brisées.
- Respecter les instructions relatives au changement des accessoires. Utiliser seulement des accessoires fournis par le fabricant.
- Lorsqu'il n'est pas en fonctionnement, conserver le produit, la batterie et le chargeur de batterie à l'écart, dans un endroit clos, sec et verrouillé. S'assurer que des enfants et des personnes non autorisées ne puissent accéder au produit, à la batterie ou au chargeur de batterie.

---

## Montage

---

### Introduction



**AVERTISSEMENT** : Lire et comprendre le chapitre sur la sécurité avant d'assembler le produit.



**AVERTISSEMENT** : Ne pas fixer le cordon trop lâche sur la poignée. Le cordon peut se dégager de la poignée et provoquer des blessures.

### Pour installer et retirer la batterie multiple (accessoire)

1. Retirer les quatre couvercles en caoutchouc et les quatre vis du capot du moteur. (Fig. 22)
2. Placer la plaque d'adaptateur sur le capot du moteur.
3. Fixer la plaque d'adaptateur à l'aide des quatre vis fournies à un couple de 5 à 6 Nm. (Fig. 23)
4. Ouvrir la trappe de la batterie.
5. Retirer la batterie du logement 1. (Fig. 24)
6. Retirer la butée du joint. (Fig. 25)
7. Pousser l'adaptateur de la batterie dans son compartiment jusqu'à ce qu'un déclic se fasse entendre. (Fig. 26)
8. Placer le cordon de l'adaptateur de la batterie dans l'orifice de butée du joint. Fixer le cordon avec l'agrafe. (Fig. 27)
9. Installer la batterie multiple sur l'adaptateur de batterie.
10. Connecter la batterie multiple à l'adaptateur de batterie. (Fig. 28)
11. Fixer le cordon de l'adaptateur de batterie à la poignée à l'aide des trois sangles en tissu. (Fig. 29)
12. Retirer la batterie multiple dans l'ordre inverse.

### Montage de la poignée

1. Desserrer les boutons inférieurs.
2. Déplacer les boutons jusqu'à l'extrémité inférieure des rainures sur les deux côtés du produit. (Fig. 30)
3. Régler la hauteur de la poignée à l'une des 2 positions disponibles.
4. Déplacer les boutons vers le haut dans la direction de la poignée jusqu'à ce qu'ils s'arrêtent et qu'un déclic se fasse entendre. (Fig. 31)
5. Serrer les boutons à fond.

### Pour assembler le collecteur d'herbe

1. Fixer le châssis du collecteur d'herbe sur le sac à herbe en orientant la partie rigide du sac vers le bas. Maintenir la poignée du cadre sur le dessus du sac à herbe. (Fig. 32)
2. Fixer la section inférieure du châssis du collecteur d'herbe dans la rainure située sous le collecteur d'herbe.
3. Fixer le sac à herbe au collecteur d'herbe à l'aide des agrafes. (Fig. 33)
4. Soulever le capot arrière.
5. Fixer le collecteur d'herbe sur le bord supérieur du châssis.
6. Placer la section inférieure du collecteur d'herbe dans le canal de décharge d'herbe. (Fig. 34)

## Montage du bouchon de broyage (accessoire)

1. Soulever le couvercle arrière et retirer le collecteur d'herbe.

2. Placer le bouchon de broyage dans le canal de décharge. (Fig. 35)
3. Remplacer la lame par la lame de broyeur fournie avec l'ensemble de déchiquetage. Se reporter à la section *Pour remplacer la lame à la page 51.*

---

## Fonctionnement

---

### Introduction



**AVERTISSEMENT :** Avant d'utiliser le produit, lire et bien comprendre le chapitre sur la sécurité.

### Husqvarna Connect

Husqvarna Connect est une application gratuite pour votre appareil mobile. L'application Husqvarna Connect offre des renseignements détaillés sur votre produit Husqvarna :

- Renseignements détaillés sur le produit.
- Renseignements et aide au sujet des pièces de rechange et de l'entretien du produit.

### Pour commencer à utiliser Husqvarna Connect

1. Télécharger l'application Husqvarna Connect sur votre appareil mobile.
2. S'inscrire dans l'application Husqvarna Connect.
3. Suivre les étapes décrites dans l'application Husqvarna Connect pour connecter et enregistrer le produit.

### Husqvarna Fleet Services™

L'application Husqvarna Fleet Services™ est une solution dans le nuage qui donne au gestionnaire d'une flotte commerciale un aperçu de tous les produits. L'application Husqvarna Fleet Services™ est incluse pour le W520i. Pour plus de renseignements sur Husqvarna Fleet Services™, se reporter au site [www.husqvarna.com](http://www.husqvarna.com).

### Pour préparer le capteur (accessoire)

1. Utiliser la clé du capteur pour ouvrir le couvercle du capteur. (Fig. 36)
2. Retirer le capteur.
3. Brancher la batterie au capteur. Le voyant à DEL du capteur s'allume. (Fig. 37)
4. Télécharger l'application Husqvarna Fleet Services™.
5. Ouvrir une session sur l'application Husqvarna Fleet Services™.
6. Pour effectuer un jumelage. Se reporter à la section *Pour effectuer un jumelage entre l'application et le produit à la page 47*

### Pour effectuer un jumelage entre l'application et le produit

1. Ouvrir une session sur l'application Husqvarna Fleet Services™.
2. Sélectionner votre produit dans l'application.
3. Balayer le code situé derrière le capteur avec votre appareil mobile pour installer le capteur dans l'application.

---

**Remarque :** Il est uniquement nécessaire d'effectuer un jumelage entre l'application et le produit.

---

### Pour installer le capteur

1. S'assurer que le capteur est connecté à l'application Husqvarna Fleet Services™. Se reporter à la section *Pour effectuer un jumelage entre l'application et le produit à la page 47.*
2. Percer deux trous à l'aide des marques dans la fente du boîtier. (Fig. 38)

---

**Remarque :** S'assurer que les trous sont de la même dimension que les rivets fournis avec le capteur.

---

3. Utiliser des pinces pour retirer les orifices extérieurs sur la fente du capteur. (Fig. 39)
4. Percer deux trous à l'aide des marques dans la fente du capteur. (Fig. 40)
5. Aligner la fente du capteur avec la fente du boîtier. (Fig. 41)
6. Fixer la fente du capteur avec les rivets.
7. Installer le capteur dans la fente du capteur. Aligner le repère blanc du capteur avec le repère de la fente du capteur. (Fig. 42)
8. Fermer le couvercle du capteur et le verrouiller à l'aide de la clé du capteur. S'assurer que la partie supérieure de l'Husqvarna « H » pointe en direction opposée de la clé de sécurité. (Fig. 43)

### Pour régler l'outil en position d'utilisation

1. Soulever la poignée en position verticale. (Fig. 44)
2. Déplacer les boutons vers le haut dans la direction de la poignée jusqu'à ce qu'ils s'arrêtent et qu'un déclic se fasse entendre. (Fig. 31)
3. Serrer les boutons à fond.

## Réglage de la hauteur de coupe

La hauteur de coupe peut être réglée à 6 niveaux.

1. Pousser la commande de hauteur de coupe dans le sens de la roue, puis vers l'arrière pour augmenter la hauteur de coupe.
2. Pousser la commande de hauteur de coupe dans le sens de la roue, puis vers l'avant pour diminuer la hauteur de coupe. (Fig. 45)



**MISE EN GARDE :** Ne pas régler la hauteur de coupe trop bas. Les lames peuvent frapper le sol si la surface de la pelouse n'est pas de niveau.

## Batterie



**AVERTISSEMENT :** Avant d'utiliser la batterie, lire et bien comprendre le chapitre sur la sécurité. Lire et comprendre également le manuel d'utilisation de la batterie et du chargeur de batterie.

### État de la batterie

L'écran indique la capacité de la batterie et tout problème éventuel lié à son fonctionnement. La capacité de la batterie s'affiche pendant 5 secondes dès que vous mettez le produit hors tension ou que vous appuyez sur le bouton de l'indicateur de la batterie. Le symbole d'avertissement sur la batterie s'allume lorsqu'une erreur se produit. Voir *Batterie à la page 51*. (Fig. 46)

Éclairages DEL	État de la batterie
Toutes les DEL sont allumées.	Batterie complètement chargée (entre 75 et 100 %).
Les DEL 1, DEL 2 et DEL 3 sont allumées	La batterie est chargée entre 50 % et 75 %.
Les DEL 1, DEL 2 sont allumées	La batterie est chargée entre 25% et 50 %.
La DEL 1 est allumée	La batterie est chargée de 0 % à 25 %.
La DEL 1 clignote	La batterie est à plat. Charger la batterie.

### Pour charger la batterie

Charger la batterie avant la première utilisation. La batterie n'est chargée qu'à 30 % au moment de la livraison au client.

**Remarque :** Brancher le chargeur de batterie à la tension et la fréquence indiquées sur la plaque signalétique.

La batterie ne se charge pas si la température de la batterie est supérieure à 50 °C. Le chargeur de batterie réduit la température de la batterie avant qu'elle commence à se charger.

1. Brancher une extrémité du cordon d'alimentation du chargeur de batterie dans la prise du chargeur de batterie.
2. Brancher l'autre extrémité du cordon d'alimentation du chargeur de batterie dans une prise de terre d'alimentation secteur. La DEL du chargeur de batterie clignote en vert une fois. (Fig. 47)
3. Insérer la batterie dans le chargeur de batterie. Le témoin vert, sur le chargeur, s'allume lorsque la batterie est branchée de façon adéquate au chargeur de batterie. (Fig. 48)
4. Lorsque toutes les DEL de la batterie s'allument, la batterie est complètement chargée. Charger la batterie pendant au plus 24 heures.
5. Pour débrancher le chargeur de batterie de la prise d'alimentation secteur, tirer sur la fiche, et non pas sur le cordon d'alimentation.
6. Retirer la batterie du chargeur de batterie.

### État d charge de la batterie

Une batterie Husqvarna au lithium-ion peut être chargée ou utilisée à tous les niveaux de charge. La batterie n'est pas endommagée. La charge d'une batterie complètement chargée ne diminue pas lorsque la batterie est laissée dans le chargeur.

Affichage à DEL	État de charge
La DEL 1 clignote	Entre 0 % et 25 %
La DEL 1 est allumée, la DEL 2 clignote	Entre 25 % et 50 %
Les DEL 1 et DEL 2 sont allumées, la DEL 3 clignote	Entre 50 % et 75 %
Les DEL 1, DEL 2 et DEL 3 sont allumées, la DEL 4 clignote	Entre 75 % et 100 %
Les DEL 1, DEL 2, DEL 3 et DEL 4 sont allumées	Complètement chargée

### Pour charger la batterie multiple

**Remarque :** Charger la batterie avant de l'utiliser pour la première fois. Les batteries neuves sont chargées à 30 % seulement.



1. S'assurer que la batterie est sèche.
2. Connecter la batterie multiple à l'adaptateur. (Fig. 49)
3. Insérer l'adaptateur dans le chargeur de batterie.
4. Vérifier que le témoin à DEL vert de mise en charge sur le chargeur s'allume. Cela signifie que l'adaptateur et la batterie multiple sont correctement connectés. (Fig. 50)
5. Quand tous les témoins à DEL de la batterie sont allumés et que l'adaptateur affiche 100 %, la batterie est complètement chargée. (Fig. 51)

L'adaptateur indique l'état de charge par incréments de 1 %. De faibles écarts sont possibles au début de la charge.

6. Pour débrancher le chargeur de la prise murale, tirer la fiche. Ne pas tirer le cordon d'alimentation.
7. Retirer l'adaptateur du chargeur de batterie.
8. Retirer la batterie multiple de l'adaptateur.

---

**Remarque :** Pour plus de renseignements, se reporter aux manuels de la batterie multiple et du chargeur.

---

## Mise sous tension de l'appareil

1. Soulever le couvercle de la batterie.
2. Placer une batterie chargée dans l'emplacement de batterie numéro 1 situé sous le couvercle de batterie. Pour obtenir une durée de fonctionnement plus longue, placer une deuxième batterie chargée dans l'emplacement de batterie numéro 2.
3. Débrancher la clé de sécurité du support de clé de sécurité.
4. Pousser la clé de sécurité dans le verrou de sécurité. (Fig. 52)
5. Rester derrière la machine.
6. Appuyer sur le bouton ON/OFF (marche/arrêt) du panneau de commande. L'affichage s'allume.
7. Desserrer la commande antidémarrage. (Fig. 21)
8. Pousser la poignée de freinage du moteur vers le guidon. (Fig. 53)

## Utilisation de l'entraînement des roues

- Tirer la barre d'entraînement vers le guidon pour lancer l'entraînement. (Fig. 54)
- Appuyer sur « + » et « - » sur le panneau de commande pour régler la vitesse d'entraînement en 4 étapes. (Fig. 55)
- Relâcher la barre d'entraînement pour désengager l'entraînement, par exemple à l'approche d'un obstacle.

## Pour utiliser la fonction SavE

Le produit est doté d'une fonction d'économie de la batterie (SavE) qui prolonge la durée de fonctionnement.

1. Appuyer sur le bouton SavE (A) pour activer la fonction. Le symbole SavE (B) s'allume sur l'afficheur.
2. Appuyer de nouveau sur le bouton SavE pour désactiver cette fonction. Le symbole SavE (B) s'éteint. (Fig. 56)

La fonction SavE s'arrête automatiquement lorsque les conditions du sol exigent une puissance plus élevée. La fonction SavE s'active à nouveau automatiquement lorsque les conditions du sol le permettent.

## Fonction PowerBoost

Lorsque le produit coupe de l'herbe longue ou humide, le régime du moteur augmente automatiquement. Pour économiser la batterie, le moteur retourne automatiquement en mode standard lorsque la fonction PowerBoost n'est pas nécessaire.

## Arrêt de la machine

Le produit s'arrête automatiquement si on ne l'utilise pas pendant 3 minutes.

1. Relâcher la poignée de freinage du moteur pour couper le moteur. (Fig. 20)
2. Appuyer sur le bouton ON/OFF (marche/arrêt) du panneau de commande. Tous les témoins à DEL et symboles s'éteignent sur l'écran. (Fig. 57)
3. Retirer la clé de sécurité du verrou de sécurité et la placer dans le support de clé de sécurité.

## Pour obtenir un bon résultat

- Toujours utiliser une lame affûtée. Une lame émoussée donne un résultat aléatoire et rend la surface de coupe de l'herbe jaune. Une lame affûtée utilise moins d'énergie qu'une lame émoussée.
- Ne pas couper plus de la moitié de la longueur de l'herbe. Couper d'abord en réglant la hauteur de coupe sur une valeur élevée. Examiner le résultat et abaisser la hauteur de coupe sur un niveau applicable. Si l'herbe est très longue, travailler lentement et tondre deux fois au besoin.
- Couper dans des directions différentes à chaque fois pour éviter la formation de rayures sur le gazon.

## Coupage de l'herbe sans collecteur d'herbe ou sans bouchon de broyage

1. Soulever le couvercle arrière et retirer le collecteur d'herbe.
2. Si un bouchon de broyage et une lame de broyage sont fixés, les retirer.
3. Fermer le couvercle arrière avant d'utiliser le produit.

Lors de l'utilisation du produit, l'herbe coupée est déchargée sous le couvercle arrière.

## Entretien

### Introduction



**AVERTISSEMENT** : Avant de procéder à l'entretien, lire et bien comprendre le chapitre sur la sécurité.

Pour tous les travaux d'entretien et de réparation sur le produit, une formation spécifique est nécessaire. La disponibilité des réparations et des entretiens effectués de façon professionnelle est garantie. Si un distributeur

n'est pas un agent d'entretien, communiquer avec lui pour connaître l'agent d'entretien le plus proche.

### Calendrier d'entretien

La fréquence d'entretien est calculée sur la base d'une utilisation quotidienne. Les intervalles changent si le produit n'est pas utilisé tous les jours.

En ce qui concerne les éléments d'entretien marqués de \*, se reporter à la section *Consignes de sécurité pour l'utilisation* à la page 41.

	Chaque utilisation	Mensuel	Chaque saison
Effectuer une inspection générale	X		
Nettoyer les carters de transmission. S'assurer qu'il n'y a pas d'herbe sur le moteur	X		
Vérifier le dispositif antidémarrage *	X		
S'assurer que les dispositifs de sécurité du produit ne sont pas défectueux *	X		
Vérifier le collecteur d'herbe à la recherche de signes d'usure ou de détérioration	X		
Examiner l'équipement de coupe	X		
Examiner le carter de coupe *	X		
Vérifier la poignée du frein moteur *	X		
S'assurer que le bouton ON/OFF(marche/arrêt) fonctionne de façon adéquate et n'est pas défectueux	X		
Examiner la batterie afin de détecter d'éventuels dommages	X		
Vérifier la charge de la batterie	X		
S'assurer que les boutons de déverrouillage de la batterie fonctionnent de façon adéquate, et que la batterie se bloque dans le produit	X		
Nettoyer les prises d'air. S'assurer qu'il n'y a pas d'herbe ou de saleté sur les prises d'air	X		
Examiner le chargeur de batterie afin de détecter d'éventuels dommages et s'assurer qu'il fonctionne de façon adéquate		X	
Nettoyer sous le couvercle de l'embrayage		X	
Examiner les raccords entre la batterie et le produit. Examiner également le raccord entre la batterie et le chargeur de batterie			X

### Pour effectuer une inspection générale

- S'assurer que les écrous et les vis sur le produit sont serrés.

- S'assurer que les câbles sur le produit ne sont pas dans une position où ils risquent d'être endommagés.

## Pour remplacer la lame

1. Bloquer la lame au moyen d'un bloc de bois. (Fig. 58)
2. Retirer le boulon de lame, la rondelle élastique et la lame. (Fig. 59)
3. Examiner le support de lame et le boulon de lame afin de détecter d'éventuels dommages.
  - a) En cas de remplacement de la lame ou du support de lame, remplacer également le boulon de lame, la rondelle élastique et la rondelle de friction.
4. Examiner l'arbre du moteur pour s'assurer qu'il n'est pas plié.
5. Lors de la fixation de la lame neuve, s'assurer que les extrémités courbées sont orientées vers le couvercle de l'unité de coupe. (Fig. 60)
6. Placer la rondelle de friction et la lame contre le support de lame. (Fig. 61)
7. S'assurer que la lame est alignée avec le centre de l'arbre du moteur. (Fig. 62)
8. Bloquer la lame au moyen d'un bloc de bois. (Fig. 63)
9. Fixer la rondelle élastique et serrer le boulon à un couple de 65-75 Nm. (Fig. 64)
10. Tirer la lame à la main pour s'assurer qu'elle tourne librement.



**AVERTISSEMENT :** Porter des gants de protection. La lame est très affûtée et des coupures peuvent se produire facilement.

11. Démarrer l'outil pour effectuer un test de la lame. Si la lame n'est pas correctement fixée, le produit produira des vibrations ou des résultats de coupe insatisfaisants.

## Nettoyage du produit

- Nettoyer les pièces en plastique à l'aide d'un chiffon propre et sec.
- Ne pas utiliser de l'eau pour nettoyer le produit. L'eau pourrait pénétrer dans la batterie ou le moteur et engendrer des court-circuit ou endommager le produit.
- Ne pas utiliser de nettoyeur à haute pression pour nettoyer la tondeuse.

- Ne pas verser de l'eau directement sur le moteur.
- Utiliser une brosse pour enlever les feuilles, l'herbe et la saleté.
- Retirer le couvercle de l'embrayage et utiliser une brosse pour enlever l'herbe qui se trouve dessous.

## Pour nettoyer la batterie et le chargeur de batterie.



**MISE EN GARDE :** Ne pas nettoyer la batterie ou le chargeur de batterie avec de l'eau.

- S'assurer que la batterie et le chargeur de batterie sont propres et secs avant de raccorder la batterie au chargeur de batterie.
- Nettoyer les cosses batterie avec de l'air comprimé ou utiliser un chiffon doux et sec.
- Nettoyer les surfaces de la batterie et le chargeur de batterie au moyen d'un chiffon sec et doux.

## Pour examiner l'équipement de coupe



**AVERTISSEMENT :** Afin d'éviter tout démarrage accidentel, tirer la clé de sécurité vers le haut, retirer la batterie et attendre au moins cinq secondes.



**AVERTISSEMENT :** Utiliser des gants de protection lors des opérations d'entretien sur l'équipement de coupe. La lame est très affûtée et des coupures peuvent se produire facilement.

1. Examiner l'équipement de coupe pour détecter les éventuels dommages ou fissures. Toujours remplacer les équipements endommagés.
2. Regarder la lame pour voir si elle est endommagée ou émoussée.

**Remarque :** Il est nécessaire d'équilibrer la lame après l'avoir affûtée. Demander à un centre d'entretien d'affûter, de remplacer et d'équilibrer la lame. Si on frappe un obstacle qui occasionne l'arrêt du produit, remplacer la lame endommagée. Demander au centre d'entretien d'estimer si la lame peut être affûtée ou si elle doit être remplacée.

## Dépannage

### Batterie

DEL sur la batterie	Anomalies potentielles	Procédure possible
La DEL verte clignote	La tension de la batterie est faible	Charger la batterie. Voir <i>Pour charger la batterie à la page 48</i> .

DEL sur la batterie	Anomalies potentielles	Procédure possible
La DEL d'erreur clignote	La charge de la batterie est faible.	Charger la batterie. Voir <i>Batterie à la page 51</i> .
	La température de l'environnement de travail est trop élevée ou trop basse	Utiliser la batterie à une température comprise entre -10 °C et 40 °C.
	Sur-tension	Vérifier que la tension de secteur correspond à la valeur indiquée sur la plaque signalétique. Retirer la batterie du chargeur de batterie. Attendre cinq secondes et essayer à nouveau de charger la batterie. Si le problème persiste, communiquer avec un agent d'entretien agréé.
La DEL d'erreur est allumée	Différence trop grande entre les éléments (1 V)	Communiquer avec un agent de réparation agréé.

## Chargeur de batterie

DEL sur le chargeur de batterie	Anomalies potentielles	Procédure possible
La DEL d'erreur clignote	La température de l'environnement de travail est trop élevée ou trop basse	Utiliser le chargeur de batterie à une température comprise entre 5 °C et 40 °C.
La DEL d'erreur est allumée		Communiquer avec un agent de réparation agréé

## Panneau de commande

Code d'erreur (nombre de clignotements)	Anomalies potentielles	Procédure possible
1	Le moteur de transmission est trop chaud.	Laisser le produit refroidir. S'assurer qu'il n'y a pas d'herbe sur la transmission. Nettoyer la cache de transmission au besoin.
5	La vitesse du moteur diminue trop, et le moteur s'arrête.	Nettoyer l'unité de coupe et augmenter la hauteur de coupe. Se reporter à la section <i>Réglage de la hauteur de coupe à la page 48</i> . Si l'erreur persiste, communiquer avec votre atelier spécialisé agréé.
8	La batterie est faible.	Charger la batterie. Se reporter à la section <i>Pour charger la batterie à la page 48</i> .
9	Erreur de batterie ou aucun signal de la batterie.	Placer correctement la batterie dans le produit et vérifier le connecteur de batterie. Si la DEL d'erreur sur la batterie clignote, se reporter à la section <i>Batterie à la page 48</i> .
10	La commande du moteur est trop chaude.	Arrêter le moteur et attendre qu'il refroidisse.
Autres erreurs	Si d'autres erreurs se produisent, retirer la clé de sécurité et la batterie et communiquer avec un agent de réparation agréé.	

# Transport, entreposage et mise au rebut

## Introduction



**AVERTISSEMENT :** Afin d'éviter tout démarrage accidentel pendant le transport, tirer la clé de sécurité vers le haut, retirer la batterie et attendre au moins cinq secondes.

## Pour régler l'outil à la position de transport

1. Desserrer les boutons inférieurs.
2. Déplacer les boutons jusqu'à l'extrémité inférieure des rainures sur les deux côtés du produit. (Fig. 30)
3. Plier la poignée vers l'avant. (Fig. 65)
4. Retirer le collecteur d'herbe.

## Transport

- Les exigences de la législation relative aux produits dangereux s'appliquent aux batteries Li-ion.
- Les exigences spéciales relatives au transport commercial pour l'emballage et les étiquettes doivent être respectées.
- Lorsqu'on prépare le produit pour le transport, s'assurer de respecter la réglementation relative aux produits dangereux. Les réglementations locales peuvent s'appliquer.
- Toujours retirer la batterie pendant le transport.
- Appliquer du ruban adhésif sur les connecteurs de batterie et s'assurer que la batterie ne puisse pas bouger pendant le transport.
- Fixer le produit pendant le transport.

## Entreposage

- Toujours retirer la batterie pour l'entreposage.
- Pour éviter tout accident, s'assurer que la batterie n'est pas raccordée au produit pendant l'entreposage.
- Entreposer le chargeur de batterie dans un endroit sec et fermé.

- Garder la batterie et le chargeur de batterie dans un endroit sec où il n'y a pas d'humidité ou de glace.
- Débrancher la batterie du chargeur de batterie pendant la période d'entreposage.
- Ne pas entreposer la batterie dans une zone où l'électricité statique peut se développer. Ne pas entreposer la batterie dans une boîte métallique.
- Entreposer la batterie dans un endroit où la température se situe entre 5°C et 25°C toujours à l'abri de la lumière directe du soleil.
- Entreposer le chargeur de batterie dans un endroit où la température se situe entre 5°C et 45°C toujours à l'abri de la lumière directe du soleil.
- S'assurer que la charge de la batterie est comprise entre 30 et 50 % de sa capacité avant de la remiser pour une longue période.
- Entreposer le produit, la batterie et le chargeur de batterie dans une zone verrouillée hors de portée pour les enfants et les personnes non autorisées.
- Nettoyer le produit et effectuer un entretien complet avant de l'entreposer dans le local de rangement pendant une longue période.

## Mise au rebut

Les symboles sur le produit ou l'emballage du produit indiquent que vous ne pouvez pas traiter ce produit comme un déchet domestique. Le déposer dans un centre de recyclage pour la récupération des équipements électriques et électroniques.

En veillant à ce que ce produit soit traité de façon adéquate, vous contribuez à réduire l'impact négatif potentiel sur l'environnement et les personnes de la mauvaise gestion des déchets. Pour obtenir de plus amples renseignements sur le recyclage de ce produit, communiquez avec votre municipalité, votre service de déchets ménagers ou le magasin où vous avez acheté le produit.

(Fig. 66)

## Données techniques

### Caractéristiques techniques

	W520i
<b>Moteur de coupe</b>	
Type de moteur	BLDC (sans balais) 36 V
Régime du moteur – SavE, tr/min*	2 600
Régime du moteur – nominal, tr/min*	3000

	<b>W520i</b>
Régime du moteur – charge élevée, tr/min*	3300
Puissance du moteur – kW/hp max.	1,8 / 2,4
Puissance du moteur – nominale, kW/hp	1,5 / 2,0
<b>Moteur d'entraînement</b>	
Puissance du moteur – nominale, kW/hp	0,3 / 0,4
Vitesse de marche automatique, km/h / mi/h	3,0-5,0 / 1,9-3,1
Niveaux de réglage de vitesse	4
<b>Poids</b>	
Poids sans batterie, kg / lb	41 / 90,4
<b>Batterie</b>	
Type de batterie	Husqvarna Série de la batterie
<b>Autonomie de la batterie</b>	
Autonomie de la batterie, min (fonctionnement libre), fonction SavE activée, avec une batterie de 5,2 Ah Husqvarna (BLi200).	30
Autonomie de la batterie, min (fonctionnement libre), mode standard activé, avec une batterie de 5,2 Ah Husqvarna (BLi200).	20
<b>Équipement de coupe</b>	
Hauteur de coupe, mm / po	37 à 114 / 1,45 à 4,5
Largeur de coupe, cm / po	51 / 20
Lame standard	Lame de collecte 597466310
Accessoire de lame	Lame de broyeur 597466410
Capacité du collecteur d'herbe, l / pi <sup>3</sup>	65 / 2,3

\* Tours par minute

Batteries approuvées	Type	Capacité de la batterie, Ah	Tension, V	Poids, lb/kg
BLi200	Lithium-ion	5,2	36	2,8/1,3
BLi300	Lithium-ion	9,4	36	4,1/1,9
BLi950X	Lithium-ion	31,1	36	15,4/7,0

Chargeurs homologués pour les batteries indiquées, BLi	Tension d'entrée, V	Fréquence, Hz	Puissance, W
QC330	100-240	50 à 60	330
QC500	100 à 240	50 à 60	500

---

# Contenido

---

Introducción.....	55	Mantenimiento.....	74
Seguridad.....	57	Solución de problemas.....	75
Montaje.....	70	Transporte, almacenamiento y eliminación de residuos.....	77
Funcionamiento.....	71	Datos técnicos.....	77

---

## Introducción

---

### Descripción de la máquina

El producto es un cortacésped motocultor giratorio. El césped se acumula en un recogedor de césped. Quite el recogedor de césped para descargar el césped por la parte trasera. Conecte un kit de trituración (accesorio) para cortar el césped y convertirlo en fertilizante.

### Uso previsto

Utilice el producto para cortar césped. No utilice el producto para otras tareas.

### Descripción general del producto

(Fig. 1)

1. Panel de control
2. Palanca de freno del motor
3. Bloqueo de arranque
4. Recogedor de césped
5. Cubierta trasera
6. Llave de seguridad
7. Perilla del mango
8. Cubierta de la batería
9. Control de altura de corte
10. Botón ON/OFF
11. Botón SavE
12. Indicador de SavE
13. Indicador de batería
14. Indicador de nivel de velocidad
15. Botón de disminución de velocidad
16. Botón de aumento de velocidad
17. Parpadeo de error
18. Cubierta de corte
19. Tomas de aire
20. Placa de características
21. Agarradera de control
22. Cargador de la batería (accesorio)
23. Batería (accesorio)
24. Batería múltiple (accesorio)
25. Placa adaptadora (accesorio)
26. Adaptador para batería múltiple (accesorio)
27. Manual del usuario

peligroso y provocar daños graves o fatales al operador o a otras personas. Tenga cuidado y utilice el producto correctamente.

(Fig. 3)

Lea atentamente el manual de instrucciones y asegúrese de que entiende las instrucciones antes de usar este producto.

(Fig. 4)

Mantenga las manos y los pies alejados de las cuchillas giratorias.

(Fig. 5)

Mantenga a las personas y animales a una distancia de seguridad del área de trabajo.

### Símbolos en el producto

(Fig. 2)

**ADVERTENCIA:** Este producto puede ser

(Fig. 6) Tenga cuidado con los objetos que puedan salir despedidos o producir algún impacto por efectos de rebote.

(Fig. 7) Advertencia: Mantenga las manos y los pies alejados de las cuchillas giratorias.

(Fig. 8) Advertencia: Mantenga las manos y los pies alejados de las piezas giratorias.

(Fig. 9) Antes y mientras camina hacia atrás, mire hacia atrás y hacia abajo en busca de niños pequeños, animales u otros riesgos que pueden hacer que la caída.

(Fig. 10) Mantenga a las personas y animales a una distancia de seguridad del área de trabajo.

(Fig. 11) Pendiente peligrosa.

(Fig. 12) Retire la llave de seguridad antes de hacer trabajos de reparación o mantenimiento.

(Fig. 13) **Marca medioambiental.** El producto o paquete del producto no es residuo doméstico. Recíclelo en un sitio de reciclaje aprobado para equipos eléctricos y electrónicos.

**IPX4** Protegido contra salpicaduras de agua.

(Fig. 18) Procedimiento de arranque: presione el botón ON/OFF, afloje el inhibido de arranque y empuje la palanca de freno del motor hacia abajo.

(Fig. 14) Suelte la palanca de freno del motor para detener la máquina.

(Fig. 15) Lento.

(Fig. 16) Rápido.

(Fig. 17) Código escaneable.

---

**Tenga en cuenta:** Otros símbolos o etiquetas en el producto hacen referencia a requisitos de certificación para algunos mercados.

---

## **Etiqueta en el producto**

(Fig. 19)

Mantenga las manos y los pies alejados de las cuchillas giratorias.



## Responsabilidad del fabricante

Como se menciona en las leyes de responsabilidad del fabricante, no nos hacemos responsables de los daños que cause nuestro producto si:

- el producto se repara incorrectamente

- el producto se repara con piezas que no son del fabricante o que este no autoriza
- el producto tiene un accesorio que no es del fabricante o que este no autoriza
- el producto no se repara en un centro de servicio autorizado o por una autoridad aprobada.

---

## Seguridad

---

### Definiciones de seguridad

Las advertencias, precauciones y notas se utilizan para señalar las piezas particularmente importantes del manual.



**ADVERTENCIA:** Se utilizan para señalar el riesgo de lesiones graves o mortales para el operador o para aquellos que se encuentren cerca si no se siguen las instrucciones del manual.



**AVISO:** Se utilizan para señalar el riesgo de dañar la máquina, otros materiales o el área adyacente si no se siguen las instrucciones del manual.

**Tenga en cuenta:** Se utilizan para entregar más información necesaria en situaciones particulares.

### Prácticas seguras para cortacéspedes motocultores

### Información general

---



**ADVERTENCIA:** Lea atentamente las instrucciones de advertencia siguientes antes de usar el producto.



**ADVERTENCIA:** Este producto puede amputar manos y pies, y arrojar objetos. El incumplimiento de las siguientes instrucciones de seguridad puede ocasionar daños graves o la muerte.

- Lea, comprenda y siga las instrucciones y advertencias que aparecen en este documento, en el manual de usuario, en el producto, en el motor y en los documentos adjuntos.
- Permita que solo operadores responsables, que estén

capacitados, familiarizados con las instrucciones y en condiciones físicas aptas operen el producto.

- No lleve pasajeros y mantenga alejados a los observadores.
- No haga funcionar el producto bajo la influencia del alcohol o las drogas.
- Siga las recomendaciones del fabricante para los pesos de las ruedas o los contrapesos.

### Preparación antes del funcionamiento

---



**ADVERTENCIA:** Lea atentamente las instrucciones de advertencia siguientes antes de usar el producto.

---

- Despeje la zona de operación de cualquier objeto que pudiera salir expulsado por el funcionamiento del producto o que pudiera interferir en este.
- Mantenga el área de trabajo despejada de personas, especialmente niños pequeños. Si una persona ingresa al área, detenga el producto y los accesorios.

- No utilice el producto si no tiene el recogedor de césped completo, el conducto de expulsión u otros dispositivos de seguridad instalados y funcionando adecuadamente. Compruebe con frecuencia si hay signos de desgaste o deterioro y reemplace según sea necesario.
- Use equipo de protección personal apropiado como gafas de seguridad, protectores auriculares y calzado.

### Funcionamiento

---



**ADVERTENCIA:** Lea atentamente las instrucciones de advertencia siguientes antes de usar el producto.

---

- Para productos con motores de gasolina: Solo haga funcionar el motor en áreas bien ventiladas. Los gases de escape contienen monóxido de carbono, un veneno mortal.
- Opere el producto únicamente durante el día o con buena luz artificial.
- Evite agujeros, surcos, irregularidades, piedras u otros objetos ocultos. Un

terreno irregular podría causar que el producto se vuelque o que el operador pierda el equilibrio o la posición.

- No coloque las manos ni los pies cerca de las piezas giratorias ni debajo del producto. Manténgase alejado de la abertura de descarga en todo momento.
- No dirija el material descargado hacia ninguna persona. Evite descargar el material contra una pared u otra obstrucción. El material puede rebotar hacia el operador. Detenga las cuchillas cuando cruce por superficies de grava.
- No deje un producto en funcionamiento sin supervisión. Siempre estacione el producto en un terreno nivelado, desacople el accesorio, active el freno de estacionamiento y detenga el motor.
- No corte en reversa, a menos que sea absolutamente necesario. Siempre mire hacia abajo y hacia atrás antes y durante la reversa.

## Instrucciones específicas para niños

---



**ADVERTENCIA:** Lea atentamente las instrucciones de advertencia siguientes antes de usar el producto.

---

- Pueden ocurrir trágicos accidentes si el operador no está atento a la presencia de niños. A los niños suele atraerles el producto y la actividad de cortar césped. Nunca dé por un hecho que los niños permanecerán donde usted los vio por última vez.
- Mantenga a los niños fuera de la zona de operación y bajo la observación atenta de un adulto responsable que no sea el operador.

## Instrucciones específicas para pendientes

---



**ADVERTENCIA:** Lea atentamente las instrucciones de advertencia siguientes antes de usar el producto.

---



**ADVERTENCIA:** Las pendientes son un factor importante relacionado con los accidentes. El uso en pendientes exige precaución especial.

---

- Desplácese en la dirección recomendada por el fabricante en las pendientes. Tenga cuidado cuando opere cerca de declives.
- Evite cortar césped húmedo. Un terreno deficiente podría causar un accidente de caídas o resbalones.
- No utilice el producto en ninguna condición que pueda alterar la tracción, la dirección o la estabilidad. Los neumáticos podrían deslizarse incluso si las ruedas se han detenido.
- Siempre mantenga el producto a una velocidad constante cuando baje por las pendientes. No se deje llevar por las pendientes cuesta abajo.
- Evite ponerse en movimiento o detenerse en pendientes. No haga cambios repentinos de velocidad o dirección. Realice giros de manera lenta y gradual.
- Tenga especial cuidado cuando opere el producto con

un recogedor de césped u otros accesorios. Pueden afectar la estabilidad del producto.

### **Información específica sobre incendios y combustible (para productos con motores de gasolina)**

---



**ADVERTENCIA:** Lea atentamente las instrucciones de advertencia siguientes antes de usar el producto.

---

- Apague todos los cigarrillos, puros, pipas y otras fuentes de ignición.
- Use solo un recipiente de combustible aprobado.
- No retire el tapón de combustible ni agregue combustible con el motor en funcionamiento o mientras está caliente.
- No cargue combustible en interiores o en áreas mal ventiladas.
- No guarde el producto o el recipiente de combustible ni cargue combustible donde haya una llama expuesta, chispas o un indicador luminoso, como en un

calentador de agua u otros aparatos.

- Si salpica combustible, no intente hacer arrancar el motor y evite crear cualquier fuente de ignición hasta que los vapores del combustible se hayan disipado.
- Para ayudar a evitar incendios: mantenga el producto libre de césped, hojas u otros desechos acumulados; limpie el aceite o los derrames de combustible y quite cualquier residuo mojado con combustible; deje que el producto se enfríe antes de guardarlo.
- Tenga especial cuidado al manipular gasolina y otros combustibles. Estos son inflamables y los vapores son explosivos.

## Transporte



**ADVERTENCIA:** Lea atentamente las instrucciones de advertencia siguientes antes de usar el producto.

- Utilice rampas de ancho completo cuando cargue y descargue un producto para transportarlo.

## Servicio



**ADVERTENCIA:** Lea atentamente las instrucciones de advertencia siguientes antes de usar el producto.

- Mantenga el producto en buenas condiciones de trabajo. Reemplace las piezas desgastadas o dañadas.
- Tenga cuidado al realizar tareas de mantenimiento en las cuchillas. Envuelva las cuchillas o utilice guantes. Reemplace las cuchillas dañadas. No repare ni altere las cuchillas.
- Productos con bombas hidráulicas, mangueras o motores, o sistemas de inyección de diésel:



**ADVERTENCIA:** Un escape de líquido con presión puede tener fuerza suficiente para traspasar la piel y causar daños graves. Si el líquido le traspasa la piel, busque atención médica de inmediato. Mantenga las manos y el cuerpo

alejados de orificios de pasadores o boquillas que expulsan líquido a alta presión. Si se produce una fuga, haga que un técnico capacitado repare inmediatamente el producto.

- Si están equipados, desconecte los cables de las bujías y el cable negativo de la batería antes de realizar cualquier reparación.

## Instrucciones generales de seguridad



**ADVERTENCIA:** Lea atentamente las instrucciones de advertencia siguientes antes de usar el producto.

- Este producto es peligroso si se usa de manera incorrecta o si no se tiene cuidado. Se pueden producir lesiones o la muerte si no se obedecen las instrucciones de seguridad.
- En este producto se genera un campo electromagnético durante su funcionamiento. Este campo puede, en determinadas circunstancias, interferir con implantes médicos activos o pasivos. Para reducir el riesgo de daños graves o mortales, recomendamos que las personas con implantes médicos consulten a su médico y al fabricante del implante médico antes de usar este producto.
- Sea siempre cuidadoso y use el sentido común. Si no está seguro de cómo utilizar el producto en una situación en particular, deténgase y hable con su proveedor Husqvarna antes de continuar.
- Tenga en cuenta que el operador será responsable de los accidentes que involucren a otras personas o su propiedad.
- Mantenga el producto limpio. Asegúrese de que puede leer señales y etiquetas claramente.
- Nunca permita que niños o personas que no estén familiarizadas con estas instrucciones utilicen el aparato. Las normativas locales pueden restringir la edad permitida para un operador.
- Siempre esté pendiente de una persona que utilice el

producto si es que tiene capacidades físicas o mentales reducidas. Debe haber un adulto responsable en todo momento.

- No utilice el producto si está cansado, enfermo o bajo la influencia de alcohol, drogas o medicamentos. Esto afecta de manera negativa su capacidad visual, de alerta, coordinación y juicio.
- No utilice el producto si se encuentra defectuoso.
- No modifique este producto ni lo utilice si parece haber sido modificado por otros.

## Seguridad en el área de trabajo



**ADVERTENCIA:** Lea atentamente las instrucciones de advertencia siguientes antes de usar el producto.

- Retire objetos tales como ramas y piedras del área de trabajo antes de utilizar el producto.
- Los objetos que se golpean contra el equipo de corte podrían salir expulsados y provocar daños a personas y objetos. Mantenga a las personas y animales a una distancia de seguridad del producto.
- Nunca utilice el producto en condiciones climáticas adversas, tales como niebla, lluvia, vientos fuertes, frío intenso o riesgo de caída de rayos. El uso del producto en condiciones climáticas adversas o en lugares húmedos o mojados resulta agotador. Las condiciones climáticas adversas pueden provocar condiciones peligrosas, como superficies resbaladizas.
- Tenga cuidado con personas, objetos y situaciones que puedan impedir el funcionamiento seguro del producto.
- Tenga cuidado con obstáculos, como raíces, piedras, ramas, fosos y zanjas. El césped alto puede ocultar obstáculos.
- El corte del césped en pendientes puede ser peligroso. No realice operaciones de corte en pendientes muy pronunciadas. No utilice el producto en suelos con pendientes de más de 15°.
- Ponga extrema atención al cambiar la dirección en las

pendientes. Utilice el producto de lado a lado en las pendientes. No lo mueva hacia arriba y hacia abajo.

- Tenga cuidado al pasar cerca de esquinas ocultas y objetos que puedan obstaculizar la visión.

## Seguridad en el trabajo

---



**ADVERTENCIA:** Lea atentamente las instrucciones de advertencia siguientes antes de usar el producto.

---

- Utilice este producto solamente para cortar césped. No se permite el uso en otras tareas.
- Utilice equipo de protección personal. Consulte *Equipo de protección personal en la página 65*.
- Asegúrese de saber cómo detener el motor rápidamente en caso de emergencia.
- No utilice el producto en condiciones húmedas o con lluvia. El riesgo de sacudida eléctrica aumenta si ingresa agua al producto.
- No utilice el producto a menos que la cuchilla y todas las cubiertas estén fijadas correctamente. Si la cuchilla está fijada de manera incorrecta, podría soltarse y causar daños personales.
- Asegúrese de que la cuchilla no golpee objetos, como piedras y raíces. Esto puede causar daños a la cuchilla y doblar el eje del motor. Si el eje se dobla, se producirán vibraciones excesivas y habrá un riesgo muy alto de que la cuchilla se afloje.
- Si la cuchilla golpea un objeto o si se producen vibraciones, detenga el producto de inmediato. Detenga el motor, tire de la llave de seguridad hacia arriba y quite la batería. Examine el producto en busca de daños. Repare los daños o solicite a un taller de servicio autorizado que realice la reparación.
- Nunca fije la palanca de freno del motor de forma permanente al mango cuando el motor se ponga en marcha.
- Coloque el producto en una superficie plana y estable, y póngalo en marcha. Asegúrese de que la cuchilla no golpee el suelo u otros objetos.
- Siempre manténgase detrás del producto cuando lo use.



- Haga que todas las ruedas permanezcan sobre el suelo y mantenga las dos manos en el mango cuando utilice el producto. Mantenga las manos y los pies alejados de las hojas giratorias.
- No incline el producto cuando el motor esté en marcha.
- Tenga cuidado cuando tire el producto hacia atrás.
- Nunca levante el producto cuando el motor esté en marcha. Si debe levantar el producto, primero detenga el motor, gire la llave de seguridad hacia arriba y retire la batería.
- No camine hacia atrás cuando utilice el producto.
- Detenga el motor cuando se desplace en áreas sin césped, por ejemplo, en caminos de grava, piedra y asfalto.
- No corra con el producto cuando el motor esté en marcha. Siempre camine cuando utilice el producto.
- Detenga el motor antes de cambiar la altura de corte. Nunca haga ajustes con el motor en marcha.
- No deje el producto desatendido con el motor en marcha. Detenga el motor y

asegúrese de que el equipo de corte no gire.

## Instrucciones de seguridad para el funcionamiento

### Equipo de protección personal

---



**ADVERTENCIA:** Lea atentamente las instrucciones de advertencia siguientes antes de usar el producto.

---

- El equipo de protección personal no puede impedir el riesgo de lesiones, pero disminuirá el grado de lesión si ocurre un accidente. Permita que su distribuidor le ayude seleccionar el equipo adecuado.
- Utilice botas o zapatos antideslizantes resistentes. No utilice zapatos abiertos ni trabaje con los pies descalzos.
- Utilice pantalones largos y gruesos.
- Utilice guantes protectores cuando sea necesario, por ejemplo, cuando fije, examine o limpie el equipo de corte.

## Dispositivos de seguridad en el producto



**ADVERTENCIA:** Lea atentamente las instrucciones de advertencia siguientes antes de usar el producto.

- No utilice un producto con dispositivos de seguridad defectuosos.
- Revise los dispositivos de seguridad de forma regular. Si los dispositivos de seguridad están defectuosos, comuníquese con su taller de servicio Husqvarna.

### Para comprobar la cubierta de corte

La cubierta de corte reduce las vibraciones del producto y el riesgo de lesiones ocasionadas por la cuchilla.

- Examine la cubierta de corte para asegurarse de que no haya daños, por ejemplo, grietas.

### Llave de seguridad

La llave de seguridad está bajo la tapa de la batería. La llave de seguridad conecta la batería

que suministra energía al motor.

### Para comprobar la llave de seguridad

La llave de seguridad conecta la batería que suministra energía al motor.

- Arranque y detenga el motor. Si la llave de seguridad funciona correctamente, el motor arranca solo cuando la llave está en la posición de bloqueo de seguridad.

### Palanca de freno del motor

La palanca de freno del motor detiene el motor. Cuando se suelta la palanca de freno del motor, el motor se detiene.

Para realizar una inspección del freno del motor, arranque el motor y luego suelte la palanca de freno del motor. Si el motor no se detiene en 3 segundos, solicite a un taller de servicio Husqvarna autorizado que ajuste el freno del motor.

(Fig. 20)

### Para revisar el bloqueo de arranque

Revise el bloqueo de arranque para asegurarse de que impide el funcionamiento del motor.

1. Presione la palanca de freno del motor en la dirección del manillar. El bloqueo de arranque detiene el movimiento.
2. Presione el bloqueo de arranque hacia afuera. (Fig. 21)
3. Libere el bloqueo de arranque y asegúrese de que vuelva a su posición inicial.

## Seguridad de la batería

---



**ADVERTENCIA:** Lea atentamente las instrucciones de advertencia siguientes antes de usar el producto.

---

- Utilice baterías recargables Husqvarna como fuente de alimentación solo en otros productos Husqvarna relacionados. Para evitar daños, no utilice la batería como fuente de alimentación en otros dispositivos.
- No utilice baterías no recargables.
- Riesgo de sacudida eléctrica. No conecte los terminales de la batería a llaves, monedas, tornillos u otros objetos metálicos. Esto puede provocar un cortocircuito de la batería.
- No introduzca objetos en las ranuras de aire de la batería.
- Mantenga la batería alejada de la luz solar, del calor o de llamas. La batería puede explotar y causar quemaduras o quemaduras químicas.
- Mantenga la batería alejada de condiciones húmedas y de la lluvia.
- Mantenga la batería alejada de microondas y de alta presión.
- No intente desarmar o romper la batería.
- Si se produce una filtración en la batería, no permita que el líquido entre en contacto con la piel o los ojos. Si toca el líquido, limpie el área con agua abundante y solicite asistencia médica.
- Utilice la batería en temperaturas de entre -10 °C y 40 °C.
- No limpie con agua la batería o el cargador de batería. Consulte *Para limpiar la batería y el cargador de batería en la página 75*.
- No utilice una batería dañada o defectuosa.

- Almacene las baterías alejadas de objetos metálicos, como clavos, monedas o joyas.

## Seguridad del cargador de batería

---



**ADVERTENCIA:** Lea atentamente las instrucciones de advertencia siguientes antes de usar el producto.

---

- Utilice los cargadores de batería QC para cargar solo baterías de repuesto Husqvarna.
- Riesgo de sacudidas eléctricas o cortocircuitos. No introduzca objetos en las ranuras de aire del cargador. No intente desarmar el cargador de batería. No conecte los terminales del cargador a objetos metálicos. Utilice una toma de corriente aprobada.
- En este producto se genera un campo electromagnético durante su funcionamiento. Este campo puede, en determinadas circunstancias, interferir con implantes médicos activos o pasivos. Para reducir el riesgo de daños mortales o graves, recomendamos a las personas con implantes médicos consultar a su médico y al fabricante del implante médico antes de usar este producto.
- Compruebe de forma periódica que el cable de alimentación del cargador de batería no esté dañado ni presente grietas.
- No levante el cargador de batería tirando del cable de alimentación. Para desconectar el cargador de batería de la toma de corriente, tire del enchufe. No tire del cable de alimentación.
- Mantenga el cable de alimentación y el cable de extensión alejados del agua, el aceite y los bordes afilados. Asegúrese de que el cable no quede atrapado en puertas, cercos ni elementos similares. Esto puede provocar la electrificación del cargador.
- No limpie el cargador de batería con agua.
- El cargador de batería puede ser utilizado por niños de 8 años en adelante y por personas con capacidades físicas, sensoriales o cognitivas reducidas, o que no tengan el conocimiento o la

experiencia, si se les supervisa o da instrucciones en relación con el uso del cargador de batería de manera segura y si comprenden los peligros involucrados. Los niños no deben jugar con el cargador de batería. La limpieza y el mantenimiento por parte del usuario no debe hacerlo un niño sin supervisión.

- No cargue baterías no recargables en el cargador.
- No utilice el cargador de batería cerca de materiales inflamables o materiales que puedan causar corrosión. No cubra el cargador. Desconecte el cargador de batería del enchufe en caso de incendio o humo.
- No utilice un cargador de batería dañado o defectuoso.
- Cargue la batería solo en una habitación bajo techo con buena ventilación y lejos de la luz solar. No cargue la batería en condiciones húmedas.

### Instrucciones de seguridad para el mantenimiento



**ADVERTENCIA:** Lea atentamente las instrucciones de advertencia siguientes

antes de usar el producto.

---

- Quite la llave de seguridad antes de realizar mantenimiento en el producto.
- No los trabajos de mantenimiento correctamente para aumentar la vida útil del producto y reducir el riesgo de accidentes. Solicite a un taller de servicio autorizado que realice las reparaciones profesionales. Póngase en contacto con su servicio más cercano para obtener más información.
- Solo lleve a cabo el mantenimiento indicado en este manual del propietario.
- Utilice guantes resistentes cuando utilice el equipo de corte. La hoja está muy afilada y se pueden producir cortes con mucha facilidad.
- Mantenga los bordes cortantes afilados y limpios para obtener un rendimiento óptimo y más seguro.
- Permita que su taller de servicio examine regularmente el producto y realice los ajustes y reparaciones necesarios.
- Cambie las piezas dañadas, desgastadas o rotas.

- Siga las instrucciones de cambio de accesorios. Utilice solo accesorios del fabricante.
- Cuando no esté en funcionamiento, mantenga el producto, la batería y el cargador de batería aparte en

un lugar bajo techo, seco y con llave. Asegúrese de que niños y personas no autorizadas no puedan acceder al producto, la batería o el cargador de batería.

---

## Montaje

---

### Introducción



**ADVERTENCIA:** Asegúrese de leer y comprender el capítulo de seguridad antes de montar el producto.

### Para instalar y quitar la batería múltiple (accesorio)

1. Quite las 4 cubiertas de goma y los 4 tornillos de la cubierta del motor. (Fig. 22)
2. Coloque la placa adaptadora en la cubierta del motor.
3. Fije la placa adaptadora con los 4 tornillos suministrados a un par de 5 a 6 Nm. (Fig. 23)
4. Abra la escotilla de la batería.
5. Quite la batería de la ranura 1. (Fig. 24)
6. Quite el tope del sello. (Fig. 25)
7. Empuje el adaptador de la batería en el compartimento de la batería hasta que oiga un clic. (Fig. 26)
8. Coloque el cable del adaptador de la batería a través del orificio del tope del sello. Fije el cable con el clip. (Fig. 27)
9. Instale la batería múltiple en el adaptador de batería.
10. Conecte la batería múltiple al adaptador de batería. (Fig. 28)
11. Conecte el cable del adaptador de la batería al manillar con las 3 correas de tela. (Fig. 29)
12. Quite la batería múltiple en el orden opuesto.



**ADVERTENCIA:** No deje el cable demasiado suelto en el manillar. El cable puede salirse del manillar y provocar lesiones.

### Para montar el manillar

1. Afloje las perillas inferiores.

2. Mueva las perillas hasta el extremo inferior de las ranuras del lado izquierdo y del lado derecho del producto. (Fig. 30)
3. Coloque la altura del manillar en una de las 2 posiciones disponibles.
4. Mueva las palancas hacia arriba en la dirección del mango hasta que se detengan y escuche un clic. (Fig. 31)
5. Apriete bien las perillas.

### Para montar el recogedor de césped

1. Instale el bastidor del recogedor de césped en la bolsa para césped con la parte rígida de la bolsa en la parte inferior. Mantenga el mango del bastidor en la parte superior de la bolsa del césped. (Fig. 32)
2. Fije la sección inferior del bastidor del recogedor de césped en la ranura de la parte inferior del recogedor de césped.
3. Fije la bolsa del césped al bastidor del recogedor de césped con los clips. (Fig. 33)
4. Levante la cubierta trasera.
5. Fije el recogedor de césped en el borde superior del chasis.
6. Coloque la parte inferior del recogedor de césped en el canal de expulsión de césped. (Fig. 34)

### Para montar el tapón de mantillo (accesorio)

1. Levante la cubierta trasera y saque el recogedor de césped.
2. Instale el tapón de mantillo en el canal de expulsión. (Fig. 35)
3. Reemplace la cuchilla con la cuchilla de mantillo que se suministra con el juego de mantillo. Consulte *Para reemplazar la cuchilla en la página 74.*

---

# Funcionamiento

---

## Introducción



**ADVERTENCIA:** Antes de utilizar el producto, debe leer y entender el capítulo sobre seguridad.

## Husqvarna Connect

La aplicación Husqvarna Connect es gratuita para su dispositivo móvil. La aplicación Husqvarna Connect proporciona funciones extendidas para su producto Husqvarna:

- Información extendida del producto.
- Información y solución de problemas relacionadas con las piezas y el mantenimiento del producto.

### Para empezar a utilizar Husqvarna Connect

1. Descargue la aplicación Husqvarna Connect en su dispositivo móvil.
2. Regístrese en la aplicación Husqvarna Connect.
3. Realice las instrucciones en la aplicación Husqvarna Connect para conectar y registrar el producto.

## Husqvarna Fleet Services™

Husqvarna Fleet Services™ es una solución basada en la nube que proporciona una descripción general de todos los productos al administrador de flotas comerciales. Husqvarna Fleet Services™ se incluye para el W520i. Para obtener más información sobre Husqvarna Fleet Services™, consulte [www.husqvarna.com](http://www.husqvarna.com).

### Para preparar el sensor (accesorio)

1. Utilice la llave del sensor para abrir la tapa del sensor. (Fig. 36)
2. Quite el sensor.
3. Conecte la batería al sensor. La luz LED del sensor se encenderá. (Fig. 37)
4. Descargue la aplicación Husqvarna Fleet Services™.
5. Inicie sesión en la aplicación Husqvarna Fleet Services™.
6. Realizar una operación de emparejamiento. Consulte *Para realizar una operación de emparejamiento entre la aplicación y el producto en la página 71*

### Para realizar una operación de emparejamiento entre la aplicación y el producto

1. Inicie sesión en la aplicación Husqvarna Fleet Services™.

2. Seleccione su producto en la aplicación.
3. Escanee el código que se encuentra detrás del sensor con su dispositivo móvil para instalar el sensor en la aplicación.

---

**Tenga en cuenta:** Solo es necesario realizar una vez la operación de emparejamiento entre la aplicación y el producto.

---

### Para instalar el sensor

1. Asegúrese de que el sensor esté conectado a la aplicación Husqvarna Fleet Services™. Consulte *Para realizar una operación de emparejamiento entre la aplicación y el producto en la página 71*.
2. Perfore 2 orificios en las marcas de la ranura de la carcasa. (Fig. 38)

---

**Tenga en cuenta:** Asegúrese de que los orificios tengan la misma dimensión que los remaches suministrados con el sensor.

---

3. Utilice un par de alicates para quitar los orificios exteriores de la ranura del sensor. (Fig. 39)
4. Perfore 2 orificios en las marcas de la ranura del sensor. (Fig. 40)
5. Alinee la ranura del sensor con la ranura de la carcasa. (Fig. 41)
6. Fije la ranura del sensor con los remaches.
7. Instale el sensor en la ranura del sensor. Alinee la marca blanca del sensor con la marca en la ranura del sensor. (Fig. 42)
8. Cierre la tapa del sensor y bloquéela con la llave del sensor. Asegúrese de que la parte superior de la "H" Husqvarna apunte en dirección opuesta a la dirección de la llave de seguridad. (Fig. 43)

### Para ubicar el producto en posición de funcionamiento

1. Levante el asa hasta que quede en posición vertical. (Fig. 44)
2. Mueva las palancas hacia arriba en la dirección del mango hasta que se detengan y escuche un clic. (Fig. 31)
3. Apriete bien las perillas.

### Para ajustar la altura de corte

La altura de corte puede ajustarse en 6 niveles.

1. Presione el control de altura de corte hacia la rueda y, a continuación, hacia atrás para aumentar la altura de corte.

- Presione el control de altura de corte hacia la rueda y, a continuación, hacia delante para reducir la altura de corte. (Fig. 45)



**AVISO:** No ajuste la altura de corte a un nivel demasiado bajo. Las cuchillas pueden golpear el suelo si la superficie del césped no está nivelada.

## Batería



**ADVERTENCIA:** Antes de utilizar la batería, debe leer y entender el capítulo sobre seguridad. Además, debe leer y entender el manual de usuario de la batería y el cargador de batería.

### Estado de la batería

La pantalla muestra la capacidad restante de la batería y cualquier problema que pueda tener esta. La capacidad de la batería se muestra durante 5 segundos después de que el producto se apaga o cuando se presiona el botón del indicador de la batería. El símbolo de advertencia de la batería se enciende cuando se produce un error. Consulte *Batería en la página 75*.

(Fig. 46)

Luces LED	Estado de la batería
Todas las luces LED están encendidas.	Totalmente cargada (75-100 %).
Las luces LED 1, 2 y 3 están encendidas.	La batería está entre un 50 % y un 75 % cargada.
Las luces LED 1 y 2 están encendidas.	La batería está entre un 25 % y un 50 % cargada.
La luz LED 1 está encendida.	La batería está un 0 % - 25 % cargada.
La luz LED 1 parpadea	La batería está vacía. Cargue la batería.

### Para cargar la batería

Cargue la batería antes del primer uso. La batería solo tiene un 30 % de carga cuando se entrega al cliente.

**Tenga en cuenta:** El cargador de batería se debe conectar según el voltaje y la frecuencia especificados en la placa de características.

La batería no se carga si su temperatura es superior a 50 °C. El cargador de batería disminuye la temperatura de la batería antes de empezar a cargarse.

- Conecte un extremo del cable de alimentación del cargador de batería en la toma del cargador.

- Conecte el otro extremo del cable de alimentación del cargador de batería en una toma de corriente con conexión a tierra. La luz LED del cargador de batería parpadea en verde una vez. (Fig. 47)
- Coloque la batería en el cargador. Cuando la batería se conecta correctamente en el cargador, se enciende la luz verde en el cargador. (Fig. 48)
- Cuando todas las luces LED de la batería están encendidas, la batería está completamente cargada. Cargue la batería por un máximo de 24 horas.
- Para desconectar el cargador de batería de la toma de corriente, tire del enchufe, no del cable de alimentación.
- Quite la batería del cargador de la batería.

### Estado de carga de la batería

Una batería de iones de litio Husqvarna se puede cargar o utilizar en todos los niveles de carga. La batería no sufre daños. Una batería completamente cargada no disminuirá su carga cuando se deja en el cargador.

Pantalla LED	Estado de carga
La luz LED 1 parpadea	0 %-25 %
La luz LED 1 está encendida; la luz LED 2 parpadea.	25 %-50 %
Las luces LED 1 y 2 están encendidas; la luz LED 3 parpadea.	50 %-75 %
Las luces LED 1, 2 y 3 están encendidas; la luz LED 4 parpadea.	75 %-100 %
Las LED 1, 2, 3 y 4 están encendidas	Completamente cargada

### Para cargar la batería múltiple

**Tenga en cuenta:** Cargue la batería si es la primera vez que la utiliza. Una batería nueva solo está cargada en un 30 %.

- Asegúrese de que la batería esté seca.
- Conecte la batería múltiple al adaptador. (Fig. 49)
- Coloque el adaptador en el cargador de la batería.
- Asegúrese de que la luz LED verde de carga en el cargador de la batería se encienda. Esto significa que el adaptador y la batería múltiple están conectados correctamente. (Fig. 50)
- Cuando todas las luces LED de la batería se encienden y el adaptador indica un 100 %, la batería está completamente cargada. (Fig. 51)



El adaptador muestra el estado de la carga en pasos de un 1 %. Es posible que se produzcan desviaciones pequeñas al comienzo de la carga.

- Para desconectar el cargador de batería de la toma de corriente, tire del enchufe. No tire del cable.
- Quite el adaptador del cargador de la batería.
- Quite la batería múltiple del adaptador.

---

**Tenga en cuenta:** Consulte los manuales de la batería múltiple y del cargador de la batería para obtener más información.

---

## Para poner en marcha el producto

- Levante la tapa de la batería.
- Coloque una batería cargada en la ranura de batería número 1 que está debajo de la tapa de la batería. Para un tiempo de funcionamiento más prolongado, coloque una segunda batería cargada en la ranura de batería número 2.
- Quite la llave de seguridad del soporte de la llave de seguridad.
- Presione la llave de seguridad en el bloqueo de seguridad. (Fig. 52)
- Manténgase detrás del producto.
- Presione el botón ON/OFF del panel de control. La pantalla se encenderá.
- Libere el bloqueo de arranque. (Fig. 21)
- Presione la palanca de freno del motor en la dirección del manillar. (Fig. 53)

## Para utilizar la transmisión de las ruedas

- Tire de la agarradera de control en el sentido del manillar para arrancar la transmisión. (Fig. 54)
- Pulse + y - en el panel de control para establecer la velocidad de transmisión en 4 pasos. (Fig. 55)
- Suelte la agarradera de control para desacoplar la transmisión, por ejemplo, cuando se acerque a un obstáculo.

## Para utilizar la función SavE

El producto tiene una función de ahorro de batería (SavE) que proporciona un mayor tiempo de funcionamiento.

- Presione el botón SavE (A) para iniciar la función. Aparecerá el símbolo de SavE (B) en la pantalla.
- Vuelva a presionar el botón SavE para detener la función. El símbolo de SavE (B) desaparecerá de la pantalla. (Fig. 56)

La función SavE se detiene automáticamente si las condiciones del terreno requieren un mayor rendimiento. La función SavE se inicia automáticamente cuando las condiciones del terreno lo permiten.

## Función PowerBoost

Cuando el producto corta césped húmedo o largo, el motor aumenta automáticamente las rpm. Para ahorrar carga de batería, el motor regresa automáticamente al modo estándar cuando la función PowerBoost no es necesaria.

## Para detener el producto

El producto se detiene automáticamente si no se utiliza durante 3 minutos.

- Suelte la palanca de freno del motor para detener el motor. (Fig. 20)
- Presione el botón ON/OFF del panel de control. Se apagan todas las luces LED y los símbolos de la pantalla. (Fig. 57)
- Quite la llave de seguridad del bloqueo de seguridad y colóquela en el soporte de llave de seguridad.

## Para conseguir un buen resultado

- Utilice siempre una cuchilla afilada. Si usa una cuchilla desafilada, obtendrá un resultado irregular y la superficie de corte del césped adquirirá un tono amarillo. Además, con una cuchilla afilada se usa menos energía que con una desafilada.
- No corte más de  $\frac{1}{2}$  de la longitud del césped. Corte primero con el ajuste de altura de corte alto. Examine el resultado y baje la altura de corte a un nivel pertinente. Si el césped está demasiado largo, trabaje lentamente y corte dos veces si es necesario.
- Corte en diferentes direcciones cada vez para evitar crear rayas en el césped.

## Para cortar césped sin un recogedor de césped o un tapón de mantillo acoplado

- Levante la cubierta trasera y saque el recogedor de césped.
- Si hay un tapón de mantillo y una cuchilla de mantillo acoplados, sáquelos.
- Cierre la cubierta trasera antes de usar el producto.

Cuando utiliza el producto, el césped cortado se descarga bajo la cubierta trasera.

# Mantenimiento

## Introducción



**ADVERTENCIA:** Antes de realizar el mantenimiento, debe leer y entender el capítulo sobre seguridad.

Para todos los trabajos de mantenimiento y reparación del producto, se requiere capacitación especial. Garantizamos la disponibilidad de trabajos de mantenimiento y reparación profesionales. Si el

concesionario no cuenta con un taller de servicio, pídale información acerca del taller de servicio más cercano.

## Programa de mantenimiento

Los intervalos de mantenimiento se calculan a partir del uso diario del producto. Los intervalos cambian si el producto no se utiliza a diario.

Para el mantenimiento identificado con el símbolo \*, consulte *Instrucciones de seguridad para el funcionamiento en la página 65*.

	En cada uso	Una vez al mes	Cada temporada
Realice una inspección general.	X		
Limpie las tapas de transmisión. Asegúrese de que el motor no esté salpicado con grasa	X		
Realice una inspección del inhibidor de arranque.*	X		
Asegúrese de que los dispositivos de seguridad del producto no estén defectuosos.*	X		
Revise el recogedor de césped en busca de desgaste o deterioro	X		
Examine el equipo de corte.	X		
Examine la cubierta de corte.*	X		
Realice una inspección de la palanca de freno del motor.*	X		
Asegúrese de que el botón ON/OFF funcione correctamente y que no esté defectuoso.	X		
Examine la batería en busca de daños.	X		
Realice una inspección del cargador de batería.	X		
Asegúrese de que los botones de liberación de la batería funcionen correctamente y que la batería se fije en el producto.	X		
Limpie las tomas de aire. Asegúrese de que las tomas de aire no tengan césped o suciedad sobre ellas	X		
Examine el cargador de la batería en busca de daños y asegúrese de que funcione correctamente		X	
Limpie debajo de la cubierta del embrague		X	
Examine las conexiones entre la batería y el producto. Examine también la conexión entre la batería y el cargador de la batería			X

## Para hacer una inspección general

- Asegúrese de que las tuercas y los tornillos en el producto estén apretados.
- Asegúrese de que los cables en el producto no estén en una posición donde puedan dañarse.

## Para reemplazar la cuchilla

1. Bloquee la cuchilla con un bloque de madera. (Fig. 58)
2. Retire el tornillo de la cuchilla, la arandela de resorte y la cuchilla. (Fig. 59)

3. Revise si el soporte de la cuchilla y el tornillo de la cuchilla presentan daños.
  - a) Si reemplaza la cuchilla o el soporte de la cuchilla, reemplace también el tornillo de la cuchilla, la arandela de resorte y la arandela de fricción.
4. Examine el eje del motor para asegurarse de que no está doblado.
5. Cuando fije la nueva cuchilla, asegúrese de que los extremos curvos apunten en la dirección de la cubierta de corte. (Fig. 60)
6. Coloque la arandela de fricción y la cuchilla contra el soporte de la cuchilla. (Fig. 61)
7. Asegúrese de que la cuchilla esté alineada con el centro del eje del motor. (Fig. 62)
8. Bloquee la cuchilla con un bloque de madera. (Fig. 63)
9. Fije la arandela de resorte y apriete el perno a un par de 65-75 Nm. (Fig. 64)
10. Gire la cuchilla manualmente y asegúrese de que gira sin problemas.



**ADVERTENCIA:** Use guantes protectores. La hoja está muy afilada y se pueden producir cortes con mucha facilidad.

11. Arranque el producto para hacer una prueba de la hoja. Si la cuchilla no se fija correctamente, se producirá vibración en el producto o no obtendrá el resultado de corte deseado.

## Para limpiar el producto

- Limpie las piezas de plástico con un paño limpio y seco.
- No utilice agua para limpiar el producto. El agua puede ingresar a la batería o el motor, y causar un cortocircuito o daños en el producto.
- No use limpiadores de alta presión para limpiar el producto.
- No arroje agua directamente sobre el motor.
- Utilice un cepillo para retirar las hojas, el césped y la suciedad.
- Quite la cubierta del embrague y use un cepillo para quitar la hierba bajo ella.

## Para limpiar la batería y el cargador de batería



**AVISO:** No limpie con agua la batería o el cargador de batería.

- Asegúrese de que la batería y el cargador de batería estén limpios y secos antes de colocar la batería en el cargador.
- Limpie los terminales de la batería con aire comprimido o utilice un paño suave y seco.
- Limpie las superficies de la batería y el cargador de batería con un paño suave y seco.

## Para examinar el equipo de corte



**ADVERTENCIA:** Para evitar el arranque accidental, levante llave de seguridad, quite la batería y espere, como mínimo, 5 segundos.



**ADVERTENCIA:** Utilice guantes protectores cuando realice tareas de mantenimiento en el equipo de corte. La hoja está muy afilada y se pueden producir cortes con mucha facilidad.

1. Examine el equipo de corte en busca de daños o grietas. Siempre reemplace un equipo de corte dañado.
2. Revise la cuchilla para ver si está dañada o desafilada.

**Tenga en cuenta:** Es necesario equilibrar la cuchilla después de afilarla. Solicite a un centro de servicio que afile, reemplace y equilibre la cuchilla. Si golpea un obstáculo que haga que el producto se detenga, reemplace la cuchilla dañada. Solicite al centro de servicio que estime si la cuchilla se puede afilar o si se debe reemplazar.

## Solución de problemas

### Batería

Luz LED de la batería	Posibles fallas	Procedimiento posible
La luz LED verde parpadea.	La tensión de la batería es baja.	Cargue la batería. Consulte <i>Para cargar la batería en la página 72</i> .

Luz LED de la batería	Posibles fallas	Procedimiento posible
La luz LED de error parpadea.	La batería no tiene carga.	Cargue la batería. Consulte <i>Batería en la página 75</i> .
	La temperatura en el entorno de trabajo es demasiado alta o demasiado baja.	Utilice la batería en temperaturas de entre -10 °C y 40 °C.
	Sobretensión	Revise que la tensión de la red de electricidad sea la misma que se indica en la placa de características del producto. Quite la batería del cargador de la batería. Espere 5 segundos e intente cargar la batería nuevamente. Si el problema persiste, comuníquese con un taller de servicio autorizado.
La luz LED de error está encendida.	Demasiada diferencia de la celda (1 V)	Comuníquese con un taller de servicio autorizado.

## Cargador de batería

Luz LED del cargador de batería	Posibles fallas	Procedimiento posible
La luz LED de error parpadea.	La temperatura en el entorno de trabajo es demasiado alta o demasiado baja.	Utilice el cargador de batería en temperaturas de entre 5 °C y 40 °C.
La luz LED de error está encendida.		Comuníquese con un taller de servicio autorizado.

## Panel de control

Código de error (cantidad de destellos)	Posibles fallas	Procedimiento posible
1	El motor de la transmisión está demasiado caliente.	Deje que el producto se enfríe. Asegúrese de que la transmisión no tenga césped sobre ella. Limpie la cubierta de transmisión si es necesario.
5	La velocidad del motor disminuye demasiado y este se detiene.	Limpie la plataforma de corte y aumente la altura de corte. Consulte <i>Para ajustar la altura de corte en la página 71</i> . Si el error persiste, comuníquese con un agente de servicio autorizado.
8	La batería tiene poca carga.	Cargue la batería. Consulte <i>Para cargar la batería en la página 72</i> .
9	Hay un error de la batería o no hay señal de la batería.	Coloque la batería en el producto correctamente y examine el conector de la batería. Si la luz LED de error de la batería parpadea, consulte <i>Batería en la página 72</i> .
10	El control del motor está demasiado caliente.	Detenga el motor y espere hasta que se enfríe.
Otros errores	Si se producen otros errores, quite la llave de seguridad y la batería y consulte a un agente de servicio autorizado.	

# Transporte, almacenamiento y eliminación de residuos

## Introducción



**ADVERTENCIA:** Para evitar el arranque involuntario durante el transporte, levante la llave de seguridad, quite la batería y espere, al menos, 5 segundos.

## Para colocar el producto en posición de transporte

1. Afloje las perillas inferiores.
2. Mueva las perillas hasta el extremo inferior de las ranuras del lado izquierdo y del lado derecho del producto. (Fig. 30)
3. Pliegue el mango hacia delante. (Fig. 65)
4. Retire el recogedor de césped.

## Transporte

- Los requisitos de la legislación de productos peligrosos se aplican a las baterías de iones de litio.
- Para fines de transporte comercial, se deben seguir los requisitos especiales indicados en el paquete y las etiquetas.
- Asegúrese de seguir las regulaciones para materiales peligrosos cuando prepare el producto para el transporte. Es posible que se apliquen normativas locales.
- Siempre retire la batería para el transporte.
- Coloque cinta adhesiva en los conectores de la batería y asegúrese de que la batería no se mueva durante el transporte.
- Fije el producto durante el transporte.

## Almacenamiento

- Siempre retire la batería para el almacenamiento.
- Para evitar accidentes, asegúrese de que la batería no esté conectada al producto durante el almacenamiento.
- Mantenga el cargador de batería en un lugar cerrado y seco.

- Mantenga la batería y el cargador de batería en un lugar seco donde no haya humedad ni heladas.
- Desconecte la batería del cargador de batería durante el almacenamiento.
- No mantenga la batería en lugares donde se pueda generar electricidad estática. No mantenga la batería en una caja metálica.
- Mantenga la batería en un lugar donde la temperatura sea de entre 5 °C y 25 °C, y alejada de la luz solar.
- Mantenga el cargador de batería en un lugar donde la temperatura sea de entre 5 °C y 45 °C, y alejado de la luz solar.
- Asegúrese de que la batería tenga entre un 30 % y un 50 % de carga antes de almacenarla durante períodos prolongados.
- Mantenga el producto, la batería y el cargador de batería en un área con llave, fuera del alcance de niños y personas no autorizadas.
- Limpie el producto y realice un mantenimiento completo antes de almacenarlo durante un período prolongado.

## Eliminación

Los símbolos en la máquina o en su embalaje indican que este producto no se puede tratar como residuo doméstico. Debe enviarse a una estación de reciclaje apropiada para la recuperación del equipo eléctrico y electrónico.

Si se asegura de mantener correctamente esta máquina, puede contribuir a contrarrestar los posibles efectos negativos en el medioambiente y en las personas que, de lo contrario, podrían resultar afectadas debido a la gestión incorrecta de los residuos de este producto. Para obtener información más detallada sobre el reciclaje de este producto, comuníquese con su municipalidad, servicio de recolección de residuos domésticos o con la tienda donde compró el producto.

(Fig. 66)

## Datos técnicos

### Datos técnicos

	<b>W520i</b>
<b>Motor de corte</b>	
Tipo de motor	BLDC (sin escobillas), 36 V
Velocidad del motor: SavE, rpm*	2600
Velocidad del motor: nominal, rpm*	3000

	<b>W520i</b>
Velocidad del motor: carga alta, rpm*	3300
Salida del motor: kW/hp máx.	1,8/2,4
Salida del motor: nominal, kW/hp	1,5/2,0
<b>Motor de accionamiento</b>	
Salida del motor: nominal, kW/hp	0,3/0,4
Velocidad de autopropulsión, km/h o m/h	3,0-5,0/1,9-3,1
Niveles de ajuste de velocidad	4
<b>Peso</b>	
Peso sin la batería, kg/lb	41/90,4
<b>Batería</b>	
Tipo de batería	Serie de batería Husqvarna
<b>Duración de la batería</b>	
Duración de la batería, mín., (funcionamiento continuo) con SavE activado, con una batería Husqvarna de 5,2 Ah (BLi200).	30
Duración de la batería, mín., (funcionamiento continuo) con modo estándar activado, con una batería Husqvarna de 5,2 Ah (BLi200).	20
<b>Equipo de corte</b>	
Altura de corte, mm/in	37-114/1,45-4,5
Ancho de corte, cm/in	51/20
Cuchilla estándar	Cuchilla de recolección 597466310
Accesorio de la cuchilla	Cuchilla de mantillo 597466410
Capacidad del recogedor de césped, l/pies cúbicos	65/2,3

\* Revoluciones por minuto

Baterías aprobadas	Tipo	Capacidad de la batería, Ah	Voltaje, V	Peso, kg/lb
BLi200	iones de litio	5,2	36	2,8/1,3
BLi300	iones de litio	9,4	36	4,1/1,9
BLi950X	iones de litio	31,1	36	15,4/7,0

Cargadores de baterías aprobados para las baterías especificadas, BLi	Voltaje de entrada, V	Frecuencia, Hz	Potencia, W
QC330	100-240	50-60	330
QC500	100-240	50-60	500





[www.husqvarna.com](http://www.husqvarna.com)

Original instructions  
Instructions d'origine  
Instrucciones originales

1142250-49



2020-09-29