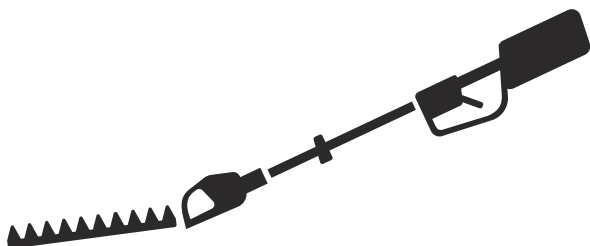




Husqvarna®



525HE3, 525HE4

| | |
|-------|----------------------|
| EN | Operator's manual |
| ES-MX | Manual del usuario |
| FR-CA | Manuel d'utilisation |

| |
|-------|
| 2-24 |
| 25-50 |
| 51-76 |

Contents

| | | | |
|-------------------|----|---|----|
| Introduction..... | 2 | Troubleshooting..... | 19 |
| Safety..... | 4 | Transportation, storage and disposal..... | 20 |
| Assembly..... | 9 | Technical data..... | 21 |
| Operation..... | 10 | Warranty..... | 22 |
| Maintenance..... | 15 | | |

Introduction

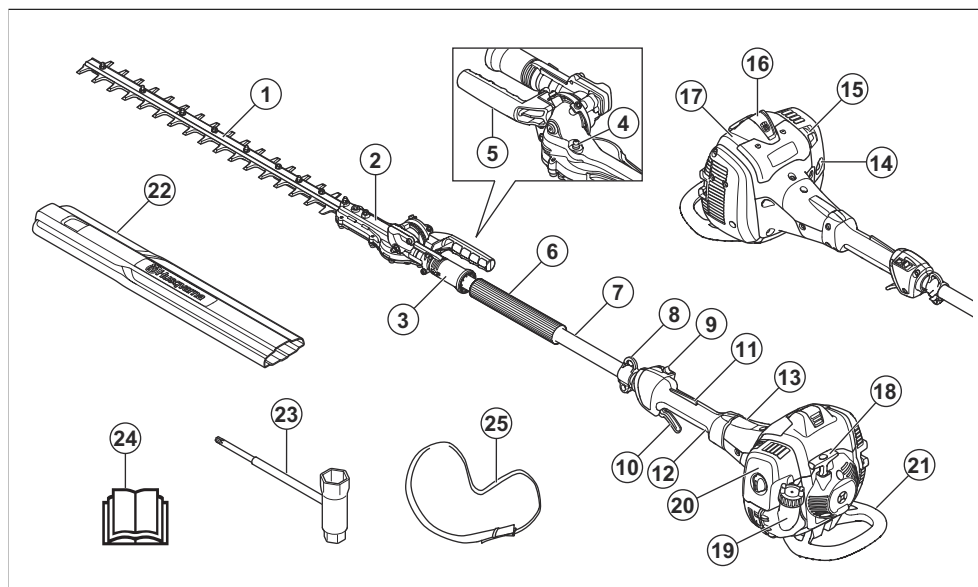
Product description

The product is a hedge trimmer with a combustion engine.

Intended use

Use the product to cut branches and twigs. Do not use the product for other tasks.

Product overview



- | | |
|----------------------------------|-----------------------------------|
| 1. Blade | 12. Rear handle |
| 2. Gearbox | 13. Clutch cover |
| 3. Position adjustment handle | 14. Air purge bulb |
| 4. Grease nipple | 15. Choke control |
| 5. Handle | 16. Spark plug cap and spark plug |
| 6. Front handle | 17. Cylinder cover |
| 7. Shaft | 18. Starter rope handle |
| 8. Harness support hook (525HE4) | 19. Fuel tank |
| 9. Stop switch | 20. Air filter cover |
| 10. Throttle trigger | 21. Impact guard |
| 11. Throttle trigger lockout | 22. Transport guard |

23. Combination wrench

24. Operator's manual

25. Harness (525HE4)

Symbols on the product



Stop.



This product can be dangerous and cause serious injury or death to the operator or others. Be careful and use the product correctly.



Read the operator's manual carefully and make sure that you understand the instructions before you use this product.



Use a protective helmet in locations where objects can fall on you. Use approved hearing protection. Use approved eye protection.



Always wear approved protective gloves.



Use stable boots with non-slip soles.



Stop the product fully before you touch the cutting tool.



Keep all parts of your body away from the hot surfaces.



Fuel.



Choke.



Air purge bulb.



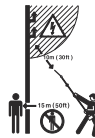
Idle adjustment screw.



High speed needle.



Low speed needle.



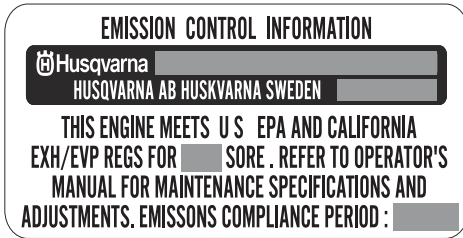
There is no electrical insulation in this product. If the product touches or comes near high voltage power lines, it can cause serious injury or death to the operator. Electricity can move between different objects by a curve. The higher the voltage, the longer the electricity can move. Electricity can also move through branches and other objects, especially if the object is wet. Always keep a distance at a minimum of 10 m/33 ft between the product and high voltage power lines. Make sure that the power is off before you start the work near the power lines. Keep a distance at a minimum of 15 m/50 ft to other persons or animals during the operation.

yyyywwxxxx

The rating plate shows the serial number. **yyyy** is the production year and **ww** is the production week.

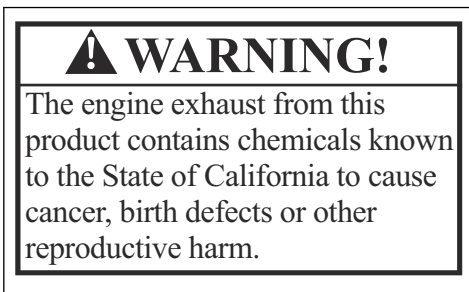
Note: Other symbols/decals on the product refer to special certification requirements for some markets.

EPA III



The Emissions Compliance Period referred to on the Emission Compliance label indicates the number of operating hours for which the engine has been shown to meet Federal and California emissions requirements.

California Proposition 65



Product liability

As referred to in the product liability laws, we are not liable for damages that our product causes if:

- the product is incorrectly repaired.
- the product is repaired with parts that are not from the manufacturer or not approved by the manufacturer.
- the product has an accessory that is not from the manufacturer or not approved by the manufacturer.
- the product is not repaired at an approved service center or by an approved authority.

Safety

Safety definitions

Warnings, cautions and notes are used to point out specially important parts of the manual.



WARNING: Used if there is a risk of injury or death for the operator or bystanders if the instructions in the manual are not obeyed.



CAUTION: Used if there is a risk of damage to the product, other materials or the adjacent area if the

instructions in the manual are not obeyed.

Note: Used to give more information that is necessary in a given situation.

General safety instructions



WARNING: Read the warning instructions that follow before you use the product.

- Incorrect or careless use of the product can turn it into a dangerous tool that can cause serious or even fatal injury. It is extremely important that you read and understand the contents of this operator's manual.
- This product produces an electromagnetic field during operation. This field may under some circumstances interfere with active or passive medical implants. To reduce the risk of serious or fatal injury, we recommend persons with medical implants to consult their physician and the medical implant manufacturer before operating this product.
- Overexposure to vibration can lead to circulatory damage or nerve damage in people who have impaired circulation. Contact your doctor if you experience symptoms of overexposure to vibration. Such symptoms include numbness, loss of feeling, tingling, pricking, pain, loss of strength, changes in skin color or condition. These symptoms normally appear in the fingers, hands or wrists. The risk increases at low temperatures.
- If you encounter a situation where you are uncertain how to proceed you should ask an expert. Contact your dealer or your service workshop. Avoid all usage which you consider to be beyond your capability.
- Keep in mind that the operator is responsible for accidents or hazards occurring to other people or their property.
- Never allow anyone else to use the product without first ensuring that they have understood the contents of the operator's manual.
- Never allow children to use or be in the vicinity of the product. As the product is equipped with a spring-loaded stop switch and can be started by low speed and force on the starter handle, even small children under some circumstances can produce the force necessary to start the product. This can mean a risk of serious personal injury. Therefore remove the spark plug cap when the product is not under close supervision.
- Store the product out of reach of children.
- Never use the product if you are tired, if you have drunk alcohol, or if you are taking medication that could affect your vision, your judgement or your coordination.
- Never use a product that is faulty. Carry out the checks, maintenance and service instructions described in this manual. Some maintenance and service measures must be carried out by trained and qualified specialists. Refer to instructions under the heading Maintenance.
- Never use a product that has been modified in any way from its original specification.

Safety instructions for operation

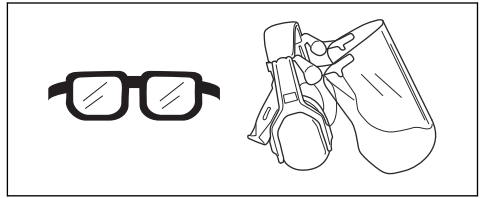


WARNING: Read the warning instructions that follow before you use the product.

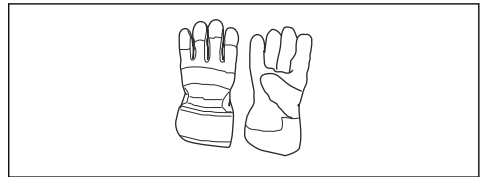
- Never use the product in extreme weather conditions such as severe cold, very hot and/or humid climates.
- Faulty blades can increase the risk of accidents.
- Ensure that no people or animals comes closer than 15 m / 50 ft while you work.
- Observe your surroundings and make sure that there is no risk of people or animals coming into contact with the cutting equipment.
- Inspect the working area. Remove any objects that could be thrown out.
- Always ensure you have a safe and stable working position.
- Never leave the product unsupervised with the motor running.
- Make sure that your hands and feet do not come near the cutting unit when the engine is running.
- If anything jams in the blades while you are working, switch off the engine and wait until it has stopped completely before cleaning the blades. Disconnect the spark plug cap from the spark plug.
- When the engine is switched off, keep your hands and feet away from the cutting unit until it has stopped completely.

- Watch out for stumps of branches that can be thrown out during cutting.
- Listen out for warning signals or shouts when you are wearing hearing protection. Always remove your hearing protection as soon as the engine stops.
- Never work from a ladder, stool or any other raised position that is not fully secured.
- Always use both hands to hold the product. Hold the product in front of your body.
- If any foreign object is hit or if vibrations occur stop the product immediately. Disconnect the spark plug cap from the spark plug. Check that the product is not damaged. Repair any damage.
- Ensure that the spark plug cap and ignition lead are undamaged to avoid the risk of electric shock.
- Check that all nuts and screws are tight.
- Make sure the gearbox is lubricated correctly. Refer to *To lubricate the bevel gear and gearbox on page 18*.
- The gearbox gets hot when the product has been in use. To avoid burning yourself do not touch the gearbox.
- All covers and guards must be fitted before starting.
- If the blades get stuck, they can be loosened by sticking the combination wrench into the gearbox. Stick the combination wrench into the gearing and turn it back and forth. Refer to *To examine the blades on page 19*.
- The transport guard should always be fitted to the cutting unit when the product is not in use.

- Use approved hearing protection that provides adequate noise reduction. Long-term exposure to noise can result in permanent hearing impairment.
- Use approved eye protection. If you use a visor, you must also use approved protective goggles. Approved protective goggles must comply with the ANSI Z87.1 standard in the USAs or EN 166 in EU countries.



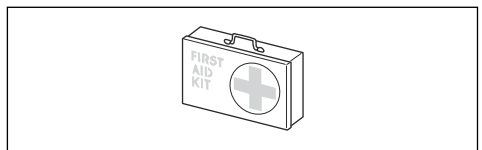
- Always use protective gloves.



- Use sturdy non-slip boots or shoes.



- Use clothing made of a strong fabric. Always use heavy, long pants and long sleeves. Do not use loose clothing that can catch on twigs and branches. Do not wear jewelry, short pants, sandals or go with bare feet. Put your hair up safely above shoulder level.
- Keep first aid equipment close at hand.



Personal protective equipment



WARNING: Read the warning instructions that follow before you use the product.

- Always use approved personal protective equipment when you use the product. Personal protective equipment cannot fully prevent injury but it decreases the degree of injury if an accident does occur. Let your dealer help you select the right equipment.

Safety devices on the product

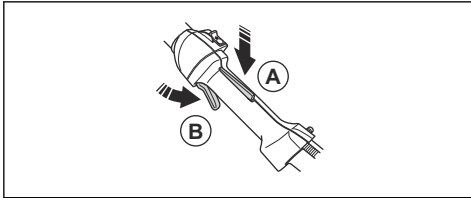


WARNING: Read the warning instructions that follow before you use the product.

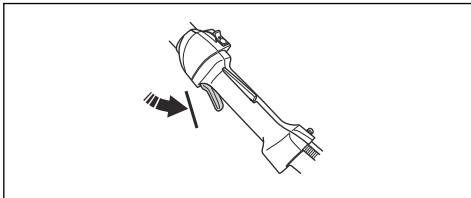
- Do not use a product with defective safety devices.
- Do a check of the safety devices regularly. If the safety devices are defective, speak to your Husqvarna service agent.

To do a check of the throttle trigger lockout

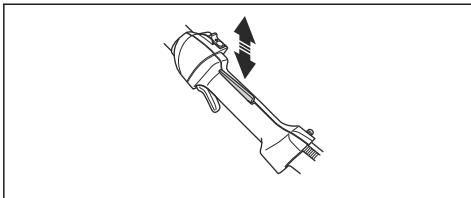
1. Make sure that the throttle trigger lockout (A) and throttle trigger (B) move freely and that the return spring operates correctly.



2. Make sure that the throttle trigger is locked at the idle position when the throttle trigger lockout is released.



3. Push down the throttle trigger lockout and make sure that it goes back to its initial position when you release it.



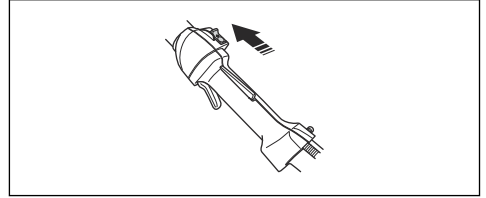
4. Start the product and apply full throttle. Refer to *To start the engine on page 12*.
5. Release the throttle trigger and make sure that the blades stop and stay stationary.



WARNING: If the blades move when the throttle trigger is in the idle position, adjust the idle speed. Refer to *To adjust the idle speed on page 16*.

To do a check of the stop switch

1. Start the engine.
2. Move the stop switch to the stop position and make sure that the engine stops.

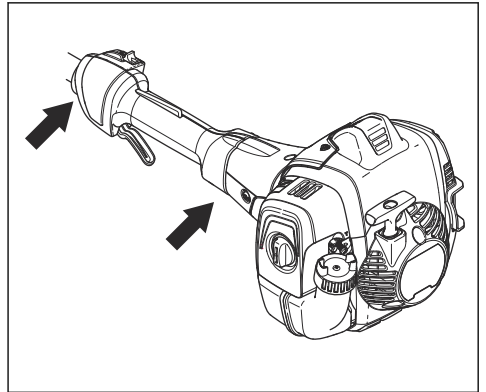


To do a check of the vibration damping system



WARNING: Use of an incorrect cutting attachment increases the level of vibration.

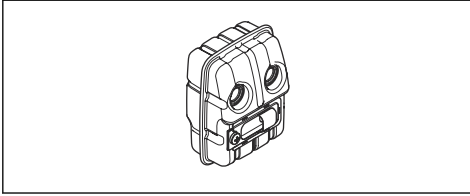
The vibration damping system decreases vibration in the handles to a minimum. The vibration damping system decreases the vibrations between the engine unit and the shaft unit.



1. Stop the engine.
2. Do a visual check for deformation and damage, for example cracks.

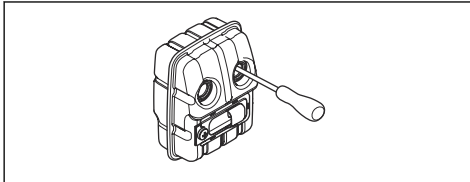
3. Make sure that the vibration damping units are attached correctly.

To do a check of the muffler

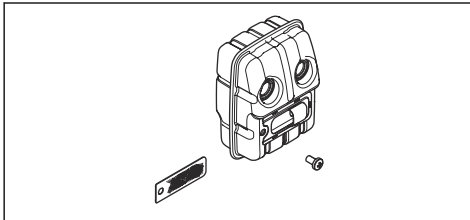


The muffler keeps noise levels to a minimum and sends exhaust fumes away from the operator.

- Do a visual check for damage and deformation.
- Make sure that the muffler is correctly attached to the product.



- If the muffler on your product has a spark arrester screen, do a visual check. Replace the spark arrester screen if it is damaged.
 - a) Clean the spark arrester screen if it is blocked. A blocked spark arrester screen causes the engine to become too hot which causes damage to the engine.
 - b) Make sure that the spark arrester mesh is attached correctly.



To do a check of the blades

1. Stop the engine and make sure that the blades stop.

2. Remove the spark plug cap from the spark plug.
3. Put on protective gloves.
4. Make sure that the blades are not damaged or bent. Always replace a damaged or bent blade.
5. Make sure that the screws to the blades are tight.

To do a check of the bevel gear and gearbox



WARNING: To prevent burn injuries, let the product become cool before you touch the bevel gear and gearbox.

- Do a visual check for damage and deformation.

Fuel safety



WARNING: Read the warning instructions that follow before you use the product.

- Do not mix the fuel indoor or near a heat source.
- Do not start the product if there is fuel or engine oil on the product. Remove the unwanted fuel/oil and let the product dry. Remove unwanted fuel from the product.
- If you spill fuel on your clothing, change clothing immediately.
- Do not get fuel on your body, it can cause injury. If you get fuel on your body, use a soap and water to remove the fuel.
- Do not start the engine if you spill oil or fuel on the product or on your body.
- Do not start the product if the engine has a leak. Examine the engine for leaks regularly.
- Be careful with fuel. Fuel is flammable and the fumes are explosive and can cause injuries or death.
- Do not breathe in the fuel fumes, it can cause injury. Make sure that there is sufficient airflow.
- Do not smoke near the fuel or the engine.

- Do not put warm objects near the fuel or the engine.
- Do not add the fuel when the engine is on.
- Make sure that the engine is cool before you refuel.
- Before you refuel, open the fuel tank cap slowly and release the pressure carefully.
- Make sure there are sufficient airflow when refueling and mixing fuel (petrol and two-stroke oil) or draining the fuel tank.
- Fuel and fuel vapor are highly flammable and can cause serious injury when inhaled or allowed to come into contact with the skin. For this reason, observe caution when handling fuel and make sure there is sufficient airflow.
- Tighten the fuel tank cap carefully or a fire can occur.
- Move the product at a minimum of 3 m (10 ft) from the position where you filled the tank before a start.
- Do not put too much fuel in the fuel tank.
- Make sure that a leak cannot occur when you move the product or fuel container.
- Do not put the product or a fuel container where there is an open flame, spark or pilot light. Make sure that the storage area does not contain an open flame.
- Only use approved containers when you move the fuel or put the fuel into storage.
- Empty the fuel tank before long-term storage. Obey the local law on where to dispose fuel.
- Clean the product before long-term storage.
- Remove the spark plug cap before you put the product into storage to make sure that the engine does not start accidentally.

Safety instructions for maintenance



WARNING: Read the warning instructions that follow before you use the product.

- Stop the engine and make sure that the cutting equipment stops. Let the product become cool before you do the maintenance.
- Disconnect the spark plug cap before you do the maintenance.
- The exhaust fumes from the engine contain carbon monoxide, an odourless, poisonous and very dangerous gas that can cause death. Do not run the product indoors or in closed spaces.
- The exhaust fumes from the engine are hot and can contain sparks. Do not run the product indoors or near flammable material.
- Accessories and changes to the product that are not approved by the manufacturer, can cause serious injury or death. Do not change the product. Always use original accessories.
- If the maintenance is not done correctly and regularly, there is an increased risk of injury and damage to the product.
- Only do the maintenance as this operator's manual recommends. Let an approved Husqvarna service agent do all other servicing.
- Let an approved Husqvarna service agent do servicing on the product regularly.
- Replace damaged, worn or broken parts.

Assembly

Introduction

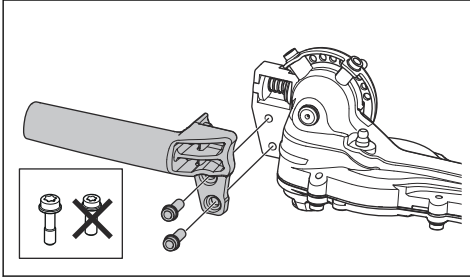
This section describes how to assemble and adjust the product.



WARNING: Before you assemble the product, read the safety chapter and the assembly instructions.

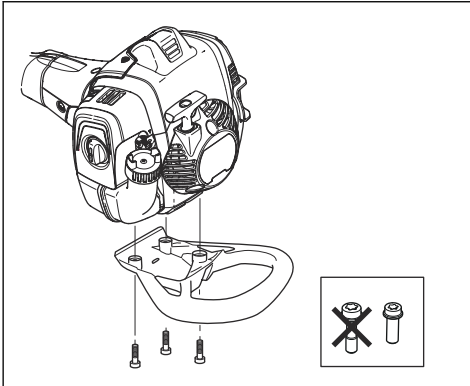
To install the handle

- Install the handle with the 2 screws.



To install the impact guard (optional)

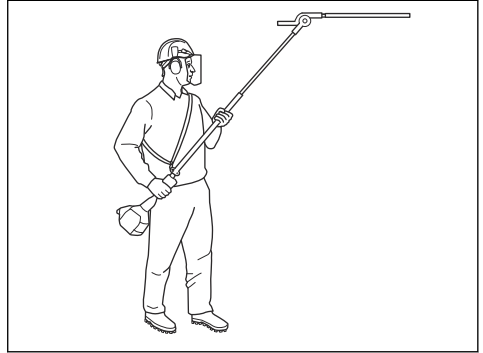
- Install the impact guard with the 3 screws.



To adjust the harness (525HE4)

Always use the harness when you operate the product. The harness gives maximum control during operation of the product. The harness decreases the risk of tiredness in your body.

1. Put on the harness.
2. Attach the product to the harness support hook.
3. Adjust the length of the harness until the support hook is level with your hip.



Operation

Introduction



WARNING: Before you operate the product, you must read and understand the safety chapter.

To do before you operate the product

- Examine the work area and remove loose objects.
- Do a check of the cutting unit. Refer to *To examine the blades on page 19*.
- Make sure that the safety devices of the product operate correctly. Do not use the product without all safety devices installed correctly.

- Make sure that all screws and nuts are tight.
- Make sure that all covers are attached correctly and not damaged before you start the product.
- Make sure that the cutting unit stops when the engine is at idle speed.

Fuel

This product has a two-stroke engine.



CAUTION: Incorrect type of fuel can result in engine damage. Use a mixture of gasoline and two-stroke oil.

Premixed fuel

- Use Husqvarna premixed alkylate fuel for best performance and extension of the engine life. This fuel contains less harmful chemicals compared to regular fuel, which decreases harmful exhaust fumes. The quantity of remains after combustion is lower with this fuel, which keeps the components of the engine more clean.

To mix fuel

Gasoline

- Use good quality unleaded gasoline with a maximum of 10% ethanol contents.



CAUTION: Do not use gasoline with an octane grade less than 90 RON/87 AKI. Use of a lower octane grade can cause engine knocking, which causes engine damages.

Two-stroke oil

- For best results and performance use Husqvarna two-stroke oil.
- If Husqvarna two-stroke oil is not available, use a two-stroke oil of good quality for air-cooled engines. Speak to your servicing dealer to select the correct oil.



CAUTION: Do not use two-stroke oil for water-cooled outboard engines, also referred to as outboard oil. Do not use oil for four-stroke engines.

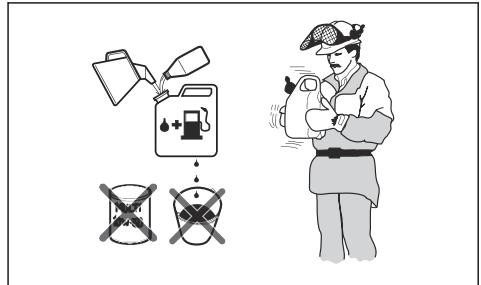
To mix gasoline and two-stroke oil

| Gasoline, liter | Two-stroke oil, liter |
|-----------------|-----------------------|
| | 2% (50:1) |
| 5 | 0.10 |
| 10 | 0.20 |
| 15 | 0.30 |
| 20 | 0.40 |

| US gallon | US fl. oz. |
|-----------|------------|
| 1 | 2 ½ |
| 2 1/2 | 6 ½ |
| 5 | 12 ¾ |



CAUTION: Small errors can influence the ratio of the mixture drastically when you mix small quantities of fuel. Measure the quantity of oil carefully and make sure that you get the correct mixture.



1. Fill half the quantity of gasoline in a clean container for fuel.
2. Add the full quantity of oil.
3. Shake the fuel mixture.
4. Add the remaining quantity of gasoline to the container.
5. Carefully shake the fuel mixture.



CAUTION: Do not mix fuel for more than 1 month at a time.

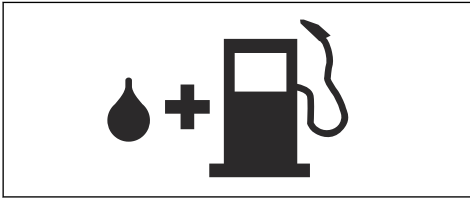
To fill the fuel tank



WARNING: Obey the procedure that follows for your safety.

1. Stop the engine and let the engine become cool.

2. Clean the area around the fuel tank cap.



3. Shake the container and make sure that the fuel is fully mixed.
4. Remove the fuel tank cap slowly to release the pressure.
5. Fill the fuel tank.



CAUTION: Make sure that there is not too much fuel in the fuel tank. The fuel expands when it becomes hot.

6. Tighten the fuel tank cap carefully.
7. Clean fuel spillage on and around the product.
8. Move the product 3 m/10 ft or more away from the refueling area and fuel source before you start the engine.

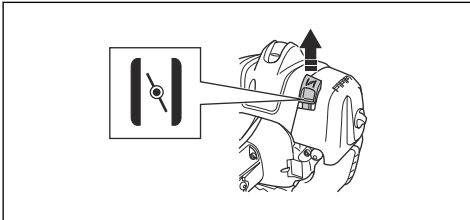
Note: To see where the fuel tank is on your product, refer to *Product overview on page 2*.

To start the engine

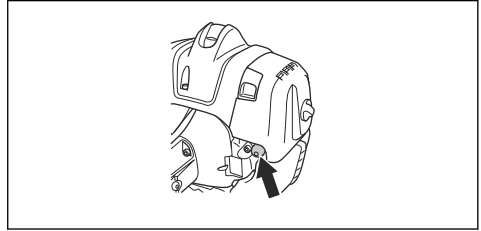


WARNING: Keep a minimum distance of 15 m/50 ft from persons or animals when you start the product. There is a risk that the cutting attachment starts to move.

1. Set the choke control in the choke position.

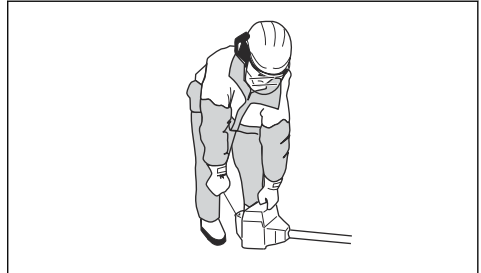


2. Push the air purge bulb until the bulb starts to fill with fuel.



Note: It is not necessary to fill the air purge bulb fully.

3. Hold the body of the product on the ground with your left hand. Do not put your feet on the product.



4. Pull the starter rope handle slowly until you feel some resistance, then pull the starter rope handle with force.



WARNING: Do not wind the starter rope around your hand.

5. Continue to pull the starter rope handle until the engine starts.

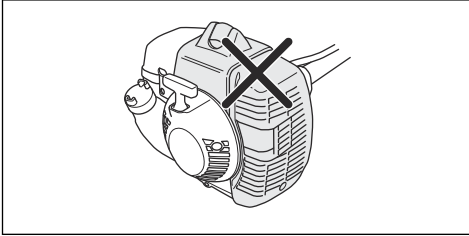


CAUTION: Do not pull the starter rope to full extension and do not let go of the starter rope handle. Release the starter rope slowly to prevent damage to the product.

6. When the engine starts, put the choke control in the run position and apply full throttle. The throttle trigger automatically disengages from the start position.
7. Make sure that the engine operates smoothly.

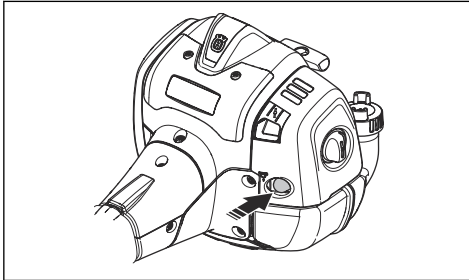


WARNING: Do not use the product with a damaged spark plug cap to prevent electrical shock.



To prepare a warm engine for start

1. Push the air purge bulb again and again until fuel starts to fill the bulb. It is not necessary to fill the air purge bulb fully.



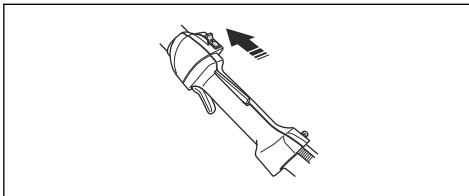
2. Pull the starter rope handle until the engine starts. Push the throttle trigger slowly to increase the speed gradually.



CAUTION: Do not pull the starter rope to full extension. Do not let go of the starter rope handle when the starter rope is fully extended. This can cause damage to the product.

To stop the product

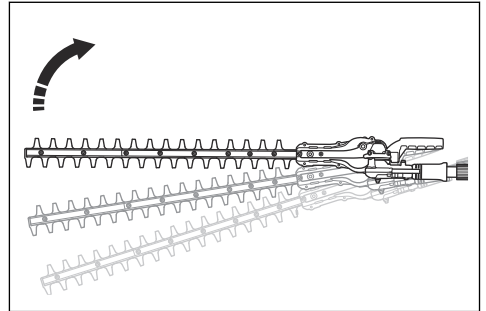
1. Move the stop switch into the stop position to stop the engine.



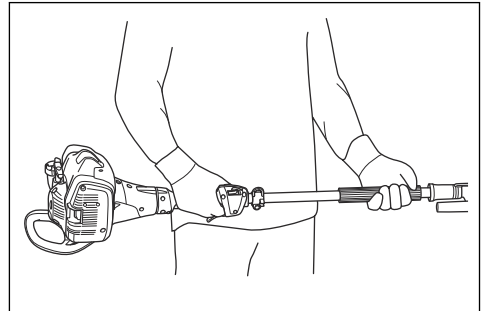
CAUTION: The stop switch automatically goes back to its initial position. In order to prevent accidental starting, the spark plug cap must be removed from the spark plug when assembling, checking and/or maintenance is done.

To operate the product

- Start near the ground and move the product up along the hedge when you cut the sides.



- Make sure that the engine does not touch the hedge.
- Hold the product near your body for a stable work position.



- Make sure that the cutting unit does not touch the ground.
- Be careful and work slowly until all the branches are correctly cut.

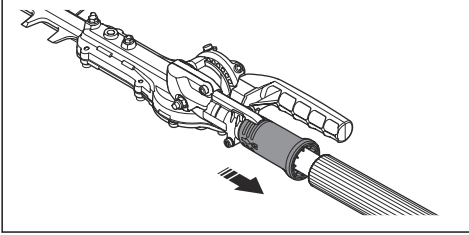
To adjust the angle of the cutting unit

The cutting unit can be adjusted in 10 different positions.



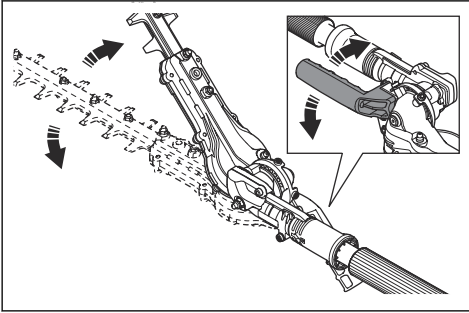
WARNING: Do not operate the cutting unit when you adjust the angle.

1. Let the engine run at idle speed and make sure the cutting unit does not move.
2. Pull down the position adjustment handle.

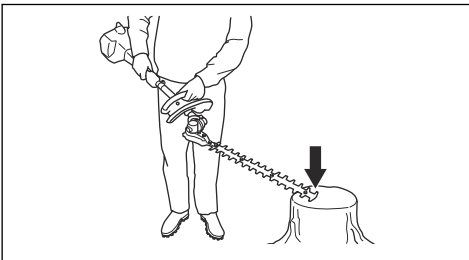


3. Tilt the cutting unit to the correct position. Use 1 of the procedures that follow.

a) Use the handle.



b) Push the end of the cutting unit against a stable surface.



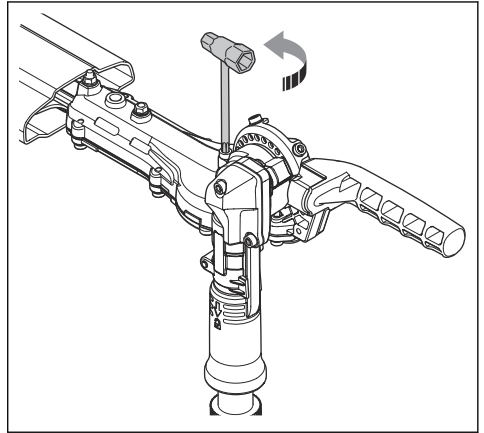
4. Release the position adjustment handle to lock the cutting unit.
5. Push the cutting unit against the hedge to make sure that it is locked.

To adjust the friction for angle adjustment



WARNING: Do not operate the cutting unit when you adjust the friction.

1. Push the stop switch to stop the product.
2. Install the transport guard on the cutting unit
3. Pull down the position adjustment handle.
4. Tilt the cutting unit to the applicable position.



5. Adjust the screw to set the friction.
6. Set the cutting unit in different positions to try the friction.

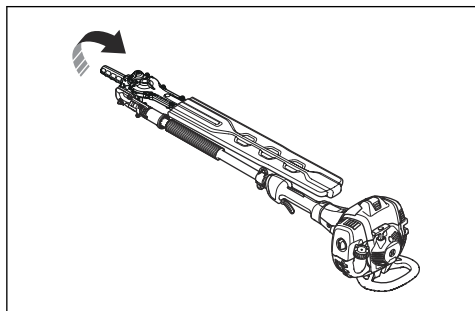
To set the product in transport position



WARNING: Do not start the product when the product is in transport position.

1. Push the stop switch to stop the product.
2. Install the transport guard on the cutting unit
3. Pull down the position adjustment handle.

4. Fold the cutting unit to make it parallel to the shaft.



Maintenance

Introduction



WARNING: Read and understand the safety chapter before you do maintenance on the product.

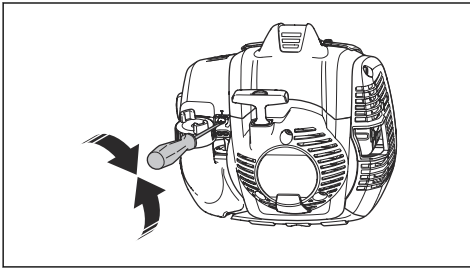
Maintenance schedule

| Maintenance | Daily | Weekly | Monthly |
|---|-----------------------|--------|---------|
| Clean the external surface. | After each operation. | | |
| Clean the muffler, exhaust pipe and engine from leaves, dirt and unwanted lubricant. | After each operation. | | |
| Make sure that the cutting unit does not move at idle speed. | X | | |
| Do a check of the stop switch. | X | | |
| Examine the cutting unit for damages and cracks. Replace if it is damaged. | X | | |
| Do a check of the throttle trigger lockout and the throttle trigger. | X | | |
| Examine the engine, the fuel tank and the fuel lines for leaks. | X | | |
| Tighten nuts and screws. | X | | |
| Examine the fuel filter for contamination and the fuel hose for cracks and other defects. Replace if necessary. | X | | |
| Examine the starter and the starter rope for damages. | | X | |
| Clean the air filter. Replace if it is necessary. | | X | |
| Examine the vibration damping units for damages and cracks. | | X | |
| Examine the spark plug, refer to <i>Technical data on page 21</i> . | | X | |

| Maintenance | Daily | Weekly | Monthly |
|--|-------|--------|---------|
| Clean the cooling system. | | X | |
| Clean the external surface of the carburetor and the area around it. | | X | |
| Clean or replace the spark arrester mesh. | | | X |
| Clean the inner surface of the fuel tank. | | | X |
| Make sure that the gearbox is filled with grease. | | | X |

To adjust the idle speed

1. Clean the air filter and attach the air filter cover.
2. Start the product. Refer to *To start the engine on page 12.*
3. Turn the idle adjustment screw T clockwise until the cutting unit starts to move.



4. Turn the idle adjustment screw counterclockwise until the cutting unit stops.



WARNING: If the cutting unit does not stop when you adjust the idle speed, speak to your nearest servicing dealer. Do not use the product until it is correctly adjusted or repaired

Note: The idle speed is correct when the engine operates smoothly in all positions. Refer to *Technical data on page 21* for the recommended idle speed.

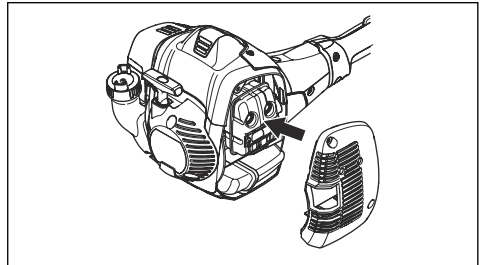
To do maintenance on the muffler

The muffler decreases the noise level and directs the exhaust gases away from the operator.

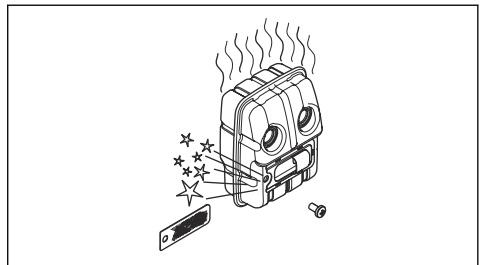


WARNING: Mufflers that have catalytic converters get very hot during operation and will stay hot for some time after you stop the product. This also applies at idle speed. If you touch the product it can result in burns to the skin. Think about of the risk of fire.

1. Stop the product and let it cool down.
2. Remove the cover to the muffler.



3. Remove the screw holding the spark arrester mesh.



4. Clean the spark arrestor mesh if it is blocked or replace it if it is damaged.



CAUTION: The spark arrestor mesh must be replaced if it is damaged. Do not use a product if the spark arrestor mesh on the muffler is missing or defective.



CAUTION: If the spark arrestor mesh is frequently blocked it can be a sign that performance of the catalytic converter is decreased. Turn to your servicing dealer to examine the muffler. A blocked spark arrestor mesh will cause overheating and result in damage to the cylinder and piston.

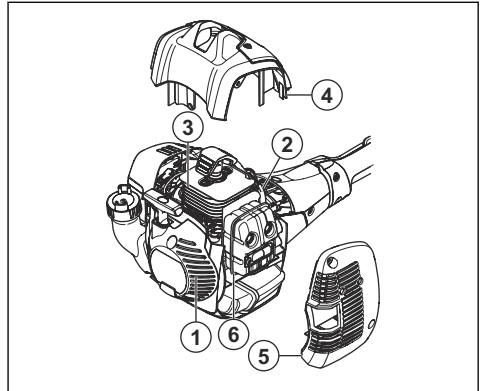
Cooling system

The product has a cooling system to keep the operation temperature as low as possible.

Clean the components of the cooling system with a brush weekly or more frequently in rougher conditions. A dirty or blocked cooling system makes the product too hot which causes damage to the piston and cylinder.

The cooling system has the following components:

1. Air intake on the starter.
2. Fins on the flywheel.
3. Cooling fins on the cylinder.
4. Cylinder cover.
5. Muffler cover.
6. Muffler plate.

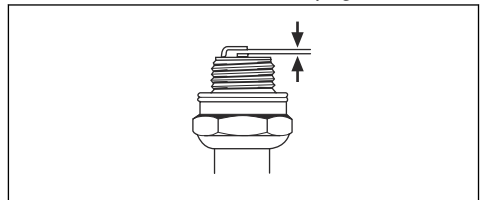


To do a check of the spark plug



CAUTION: Use the recommended spark plug. Refer to *Technical data on page 21*. An incorrect spark plug can cause damage to the product.

1. If the product is not easy to start or to operate or if the product operates incorrectly at idle speed, examine the spark plug for unwanted materials. To decrease the risk of unwanted material on the spark plug electrodes, do these steps:
 - a) make sure that the idle speed is correctly adjusted.
 - b) make sure that the fuel mixture is correct.
 - c) make sure that the air filter is clean.
2. Clean the spark plug if it is dirty.
3. Make sure that the electrode gap is correct. Refer to, *Technical data on page 21*.



4. Replace the spark plug monthly or more frequently if necessary.

To clean the air filter

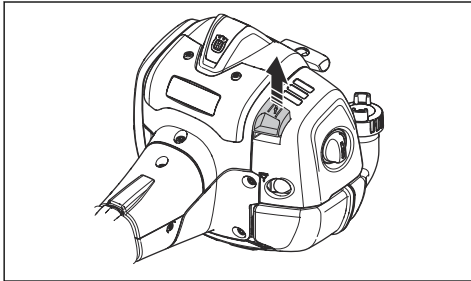


CAUTION: An air filter that is damaged, very dirty, or soaked with fuel must always be replaced.

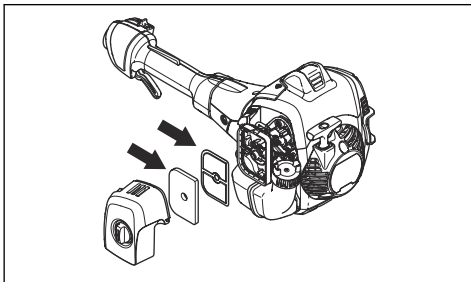
Clean the air filter from dirt and dust regularly. This prevents carburetor malfunctions, starting problems, loss of engine power, wear to engine parts and more fuel consumption than usual.

If you use an air filter for a long time, it cannot be fully cleaned. Replace the air filter with a new one at regular intervals. Refer to *Maintenance schedule on page 15*.

1. Move the choke lever up to close the choke valve.



2. Remove the air filter cover and the air filters.



3. Clean the air filters with warm soap water.
4. Replace the air filters if they cannot be fully cleaned. Always replace a damaged air filter.
5. Clean the inner surface of the air filter cover. Use compressed air or a brush.

6. Do a check of the rubber seal on the air filter. Replace the air filter if the rubber seal is damaged.
7. Make sure that the air filter is dry before you install it.

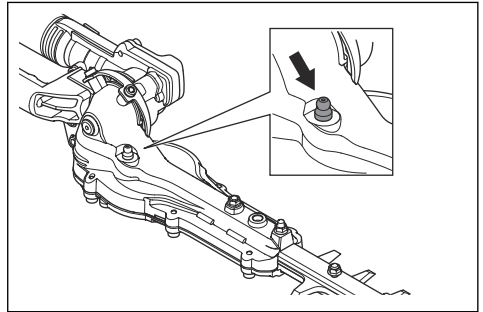
To lubricate the bevel gear and gearbox



WARNING: To prevent burn injuries, let the product become cool before you touch the bevel gear and gearbox.

Note: New products are first filled with grease after approximately 20 hours of operation.

- Use Husqvarna special grease. Speak to your servicing dealer for more information.
- Add the grease through the grease nipple.



CAUTION: Do not fill the gearbox fully.

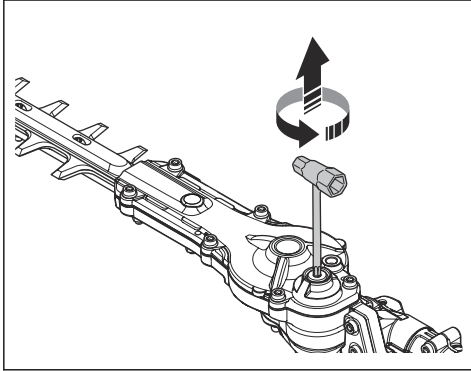
To clean and lubricate the blades

1. Clean the blades from unwanted materials before and after you use the product.
2. Lubricate the blades before long periods of storage.

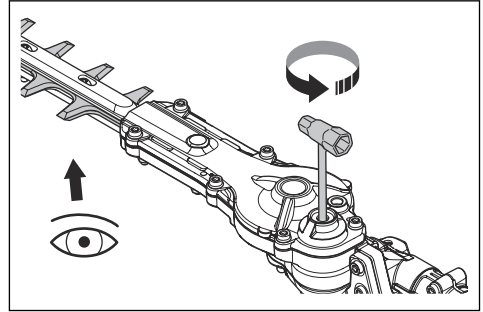
Note: Speak to your servicing dealer for more information about recommended cleaning agents and lubricants.

To examine the blades

1. Remove the screw from the gearbox.



2. Put the combination wrench in the gearbox and turn clockwise and counterclockwise. Make sure that the blades move freely.



3. Examine the edges of the blades for damages and deformation.
4. Use a file to remove burrs on the blades.
5. Install in the opposite sequence.

Troubleshooting

Troubleshooting

| The engine does not start | | |
|---------------------------|---------------------------------------|--|
| Problem | Possible cause | Recommended step |
| Starter pawls | The starter pawls cannot move freely. | Adjust or replace the starter pawls. |
| | | Clean around the starter pawls. |
| | | Speak to an approved servicing dealer. |
| Fuel tank | Incorrect fuel type. | Drain it and use correct fuel. |
| Carburetor | Incorrect idle speed. | Adjust the idle speed. |
| No spark | The spark plug is dirty or wet. | Make sure that the spark plug is dry and clean. |
| | Incorrect electrode gap. | Clean the spark plug. Make sure that the electrode gap of the spark plug is correct. Make sure that the spark plug is installed with a suppressor. |
| | | Refer to # for correct electrode gap. |
| Spark plug | The spark plug is loose. | Tighten the spark plug. |

| The engine starts but stops again | | |
|--|-----------------------|---|
| Problem | Possible cause | Recommended step |
| Fuel tank | Incorrect fuel type. | Drain it and use correct fuel. |
| Carburetor | Incorrect idle speed. | Adjust the idle speed. Refer to <i>To adjust the idle speed on page 16</i> . Speak to your servicing dealer if it is necessary. |
| Air filter | Clogged air filter. | Clean the air filter. |

| Blade | | |
|--|--|--|
| Problem | Possible causes | Recommended step |
| The blade moves slowly or does not move. | The blade is blocked or it is damaged. | Clean the blades from unwanted materials. Refer to <i>To clean and lubricate the blades on page 18</i> . Remove burrs from the blade, refer to <i>To examine the blades on page 19</i> . Replace the blade if it is damaged. |
| The blade does not cut easily. | The blade is not sharp or it is damaged. | Sharpen the blade, refer to <i>To examine the blades on page 19</i> . Replace the blade if it is damaged. |
| The blade becomes hot. | There is friction between the blades. | Remove burrs from the blade and lubricate the blade. Refer to <i>To examine the blades on page 19</i> . |

Transportation, storage and disposal

Transportation and storage

- Always allow the product to cool down before storage.
- For storage and transportation of the product and fuel, make sure that there are no leaks or fumes. Sparks or open flames, for example from electrical devices or boilers, can start a fire.
- Always use approved containers for storage and transportation of fuel.
- Empty the fuel before transportation or before long-term storage. Discard the fuel at an applicable disposal location.
- Attach the transport guard during transportation and storage.
- Remove the spark plug cap from the spark plug.
- Attach the product during transportation. Make sure that it cannot move.
- Clean and do servicing on the product before long-term storage.

Technical data

Technical data

| | 525HE3 | 525HE4 |
|---|-----------------|-----------------|
| Engine | | |
| Cylinder displacement, cu.i ³ /cm ³ | 1.55/25.4 | 1.55/25.4 |
| Idle speed, rpm | 2800-3200 | 2800-3200 |
| Recommended max speed, rpm | 11000-12000 | 11000-12000 |
| Maximum engine power acc. to ISO 8893, kW/hp @ rpm | 1.0/1.3@8500 | 1.0/1.3@8500 |
| Catalytic converter muffler | Yes | Yes |
| Ignition system | | |
| Spark plug | Husqvarna HQT-2 | Husqvarna HQT-2 |
| Electrode gap, inch/mm | 0.026/0.65 | 0.026/0.65 |
| Fuel and lubrication system | | |
| Fuel tank capacity, Us Pint/l | 1.06/0.5 | 1.06/0.5 |
| Weight | | |
| Weight, lbs/kg | 13/5.9 | 13.9/6.3 |
| Blades | | |
| Type | Double sided | Double sided |
| Cutting length, inch/mm | 23.6/600 | 23.6/600 |
| Cutting speed, cuts/min | 4400 | 4400 |

Warranty

CALIFORNIA, U.S FEDERAL, AND CANADA EXHAUST AND EVAPORATIVE EMISSIONS CONTROL WARRANTY STATEMENT

YOUR WARRANTY RIGHTS AND OBLIGATIONS

The California Air Resources Board (CARB), U.S. Environmental Protection Agency (EPA), Environment and Climate Change Canada and Husqvarna Professional Products, Inc. are pleased to explain the exhaust and evaporative emissions ("emissions") control system warranty on your 2019-2020* small off-road engine. In California, new equipment that use small off-road engines must be designed, built, and equipped to meet State's stringent anti-smog standards. Husqvarna Professional Products, Inc. must warrant the emissions control system on your small off-road engine for the periods of time listed below provided there has been no abuse, neglect or improper maintenance of your small off-road engine or equipment leading to the failure of the emissions control system. Your emissions control system may include parts such as the carburetor or fuel injection system, the ignition system, catalytic convertor, fuel tanks, fuel lines (for liquid fuel and fuel vapors), fuel caps, valves, canisters, filters, clamps and other associated components. Also included may be hoses, belts, connectors, and other emission-related assemblies. Where a warrantable condition exists, Husqvarna Professional Products, Inc. will repair your small off-road engine at no cost to you including diagnosis, parts and labor.

MANUFACTURER'S WARRANTY COVERAGE

The exhaust and evaporative emissions control system on your small off-road engine is warranted for two years. If any emissions-related part on your small off-road engine is defective, the part will be repaired or replaced by Husqvarna Professional Products, Inc..

OWNER'S WARRANTY RESPONSIBILITIES

- As the small off-road engine owner, you are responsible for performance of the required maintenance listed in your owner's manual. Husqvarna Professional Products, Inc. recommends that you retain all receipts covering maintenance on your small off-road engine, but Husqvarna Professional Products, Inc. cannot deny warranty coverage solely for the lack of receipts or for your failure to ensure the performance of all scheduled maintenance.
- As the small off-road engine owner, you should however be aware that Husqvarna Professional Products, Inc. may deny you warranty coverage if your small off-road engine or a part has failed due to abuse, neglect, or improper maintenance or unapproved modifications.
- You are responsible for presenting your small off-road engine to a Husqvarna Professional Products, Inc. authorized servicing dealer as soon as the problem exists. The warranty repairs shall be completed in a reasonable amount of time, not to exceed 30 days. If you have any questions regarding your warranty rights and responsibilities, you should contact Husqvarna Professional Products, Inc. in USA at 1-800-487-5951, in CANADA at 1-800-805-5523 or send e-mail correspondence to emissions@husqvarnagroup.com or warranty@hpp-emissions.com.

WARRANTY COMMENCEMENT DATE

The warranty period begins on the date the engine or equipment is delivered to an ultimate purchaser.

LENGTH OF COVERAGE

Husqvarna Professional Products, Inc. warrants to the ultimate purchaser and each subsequent owner that the engine or equipment is designed, built, and equipped so as to conform with all applicable regulations adopted by CARB and EPA, and is free from defects in materials and workmanship that

causes the failure of a warranted part for a period of two years.

WHAT IS COVERED

REPAIR OR REPLACEMENT OF PARTS:

Repair or replacement of any defective warranted part will be performed at no charge to you at a brand authorized servicing dealer. Except for repairs and replacement under this Emission Control Warranty, you may choose a repair shop or other person to maintain, replace or repair emission control devices and systems. However, Husqvarna Professional Products, Inc. recommends that all maintenance, replacement and repairs of emission control devices and systems be performed by a brand authorized servicing dealer.

IMPORTANT: This product is compliant with U.S. EPA Phase 3 regulations for exhaust and evaporative emissions. To ensure EPA Phase 3, California Air Resources Board and Environment and Climate Change Canada regulation, we recommend using only genuine product branded replacement parts. Use of non-compliant replacement parts is a violation of federal and state laws.

WARRANTY PERIOD: Any warranted part which is not scheduled for replacement as required maintenance, or which is scheduled only for regular inspection to the effect of "repair or replace as necessary" is warranted for 2 years (or time defined in the product warranty statement, whichever is longer) from the date of purchase by the initial consumer purchaser. Any warranted part which is scheduled for replacement as required maintenance is warranted for the period of the time up to the first scheduled replacement for that part. Any part repaired or replaced under the warranty must be warranted for the remaining warranty period.

DIAGNOSIS: You will not be charged for diagnostic labor that leads to the determination that a warranted part is in fact defective, provided that such diagnostic work is performed at a brand authorized servicing dealer.

OTHER DAMAGES: Husqvarna Professional Products, Inc. will repair other engine components caused by the failure of a warranted part still under warranty.

EMISSION WARRANTY PARTS LIST

1. Carburetor and intake parts or fuel injection system.
2. Air filter and fuel filter covered up to maintenance schedule.
3. Spark Plug, covered up to maintenance schedule.
4. Ignition Module.
5. Mufflers with catalyst and exhaust manifolds.
6. Fuel tank, fuel lines (for liquid fuel and fuel vapors), fuel cap, carbon canister and tip-over/anti-slosh valves as applicable.**
7. Electronic Controls, Vacuum, temperature, and time sensitive valves and switches.
8. Hoses, connectors, and assemblies.
9. All other components the failure of which would increase the engine's exhaust and evaporative emissions of any regulated pollutant as set forth at the following:
 - For California see California Code of Regulations, 13 CCR §2405(d) and 2760(d).
 - For U.S. and Canada see US Federal Code of Regulations, 40 C.F.R 1068 Appendix I (iii).

WHAT IS NOT COVERED

All failures caused by abuse, neglect, unapproved modifications, misuse or improper maintenance are not covered.

ADD -ON OR MODIFIED PARTS: Add-on or modified parts that are not exempted by CARB or EPA may not be used. The use of any non-exempted add-on or modified parts will be grounds for disallowing a warranty claim. Husqvarna Professional Products, Inc. will not be liable to warrant failures of warranted parts caused by the use of a non-exempted add-on or modified part.

HOW TO FILE A CLAIM

If you have any questions regarding your warranty rights and responsibilities, you

should contact your nearest authorized servicing dealer or call Husqvarna Professional Products, Inc. in USA at 1-800-487-5951, in CANADA at 1-800-805-5523 or send e-mail correspondence to emissions@husqvarnagroup.com or warranty@hpp-emissions.com.

WHERE TO GET WARRANTY SERVICE

Warranty services or repairs are provided through all Husqvarna Professional Products, Inc. authorized servicing dealers. If the nearest authorized servicing dealer is more than 100 miles from your location, Husqvarna Professional Products, Inc. will arrange and pay for the shipping costs to and from a brand authorized servicing dealer or otherwise arrange for warranty service in accordance with applicable regulations.

MAINTENANCE, REPLACEMENT AND REPAIR OF EMISSION-RELATED PARTS

Any replacement part may be used in the performance of any warranty maintenance or repairs and must be provided without charge to the owner. Such use will not reduce the warranty obligations of the manufacturer.

MAINTENANCE STATEMENT

The owner is responsible for the performance of all required maintenance, as defined in the owner's manual.

* Current and following model year will be updated annually in the warranty statement provided to the consumer. For example, in 2012 model year, 2012-2013 will be specified.

** Evaporative emission parts.

Contenido

| | | | |
|---------------------|----|---|----|
| Introducción..... | 25 | Solución de problemas..... | 44 |
| Seguridad..... | 27 | Transporte, almacenamiento y eliminación de residuos..... | 46 |
| Montaje..... | 33 | Datos técnicos..... | 46 |
| Funcionamiento..... | 34 | Garantía..... | 48 |
| Mantenimiento..... | 39 | | |

Introducción

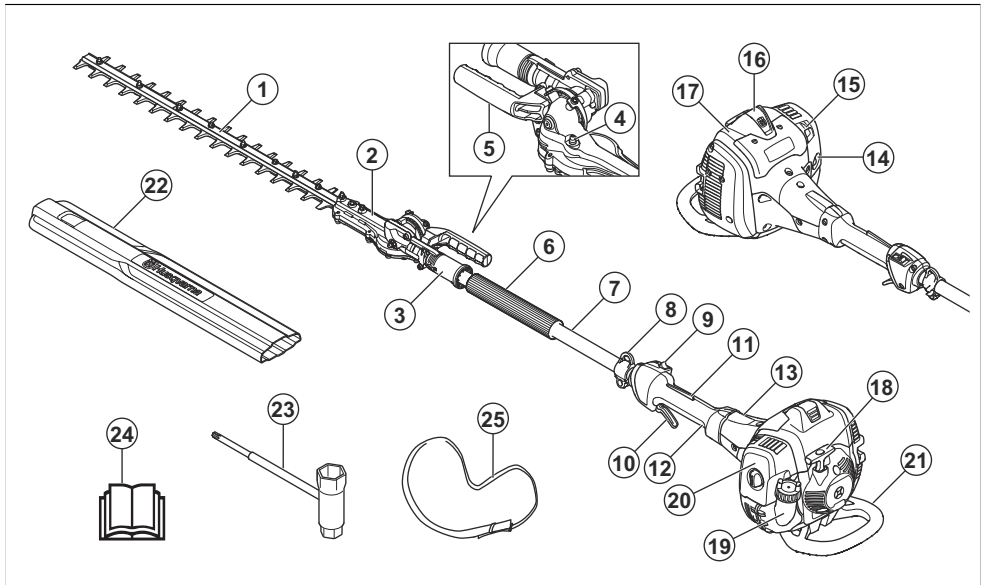
Descripción de la máquina

El producto es un cortasetos con un motor de combustión.

Uso específico

Utilice el producto para cortar ramas grandes y pequeñas. No utilice el producto para otras tareas.

Descripción general del producto



1. Hoja
2. Caja de cambios
3. Mango de ajuste de posición
4. Boquilla de engrase
5. Manilla
6. Mango delantero
7. Eje
8. Gancho de sujeción del arnés (525HE4)
9. Interruptor de detención
10. Gatillo del acelerador
11. Bloqueo del acelerador
12. Mango trasero
13. Cubierta del embrague
14. Bulbo de la purga de aire
15. Estrangulador
16. Sombrerete de bujía y bujía
17. Cubierta del cilindro
18. Empuñadura de la cuerda de arranque
19. Depósito de combustible
20. Cubierta del filtro de aire

- 21. Protección contra impactos
- 22. Protección para transporte
- 23. Llave combinada
- 24. Manual de usuario
- 25. Arnés (525HE4)

Símbolos en el producto



Detención.



Este producto puede ser peligroso y provocar daños graves o fatales al operador o a otras personas. Tenga cuidado y utilice el producto correctamente.



Lea atentamente el manual de instrucciones y asegúrese de que entiende las instrucciones antes de usar este producto.



Utilice un casco protector en lugares donde puedan caer objetos sobre usted. Use protección auricular aprobada. Use protección ocular aprobada.



Use siempre guantes protectores aprobados.



Utilice botas firmes con suelas antideslizantes.



Detenga el producto completamente antes de tocar la herramienta de corte.



Mantenga todas las partes del cuerpo lejos de las superficies calientes.



Combustible.



Estrangulador.



Bulbo de la purga de aire.



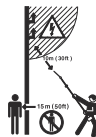
Tornillo de ajuste de ralentí.



Aguja de alta velocidad.



Aguja de baja velocidad.



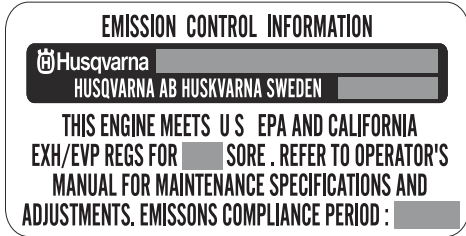
Este producto no cuenta con un aislamiento eléctrico. Si el producto entra en contacto con el tendido eléctrico de alta tensión o se acerca a él, puede provocar lesiones graves o fatales al operador. La electricidad puede conducirse entre distintos objetos por una curva. A mayor voltaje, mayor es la distancia a la que la electricidad puede conducirse. La electricidad también puede conducirse a través de ramas y otros objetos, especialmente si están húmedos. Mantenga siempre una distancia mínima de 10 m (33 pies) entre el producto y el tendido eléctrico de alta tensión. Asegúrese de que la alimentación está apagada antes de iniciar el trabajo cerca de las líneas de alimentación. Mantenga una distancia mínima de 15 m/50' respecto a las personas o animales a su alrededor durante la operación.

yyyywwxxxx

La placa de características muestra el número de serie. **yyyy** es el año de fabricación y **ww** es la semana de producción.

Tenga en cuenta: Otros símbolos o etiquetas en el producto hacen referencia a requisitos de certificación especiales para algunos mercados.

EPA III



El Período de cumplimiento de emisiones al que se hace referencia en la etiqueta de Cumplimiento de emisiones indica la cantidad de horas de funcionamiento en la que se ha demostrado que el motor cumple los requisitos de emisiones federales y de California.

Propuesta 65



Responsabilidad del fabricante

Como se menciona en las leyes de responsabilidad del fabricante, no nos hacemos responsables de los daños que cause nuestro producto si:

- el producto se repara incorrectamente
- el producto se repara con piezas que no son del fabricante o que este no autoriza
- el producto tiene un accesorio que no es del fabricante o que este no autoriza
- el producto no se repara en un centro de servicio autorizado o por una autoridad aprobada.

Seguridad

Definiciones de seguridad

Las advertencias, precauciones y notas se utilizan para señalar las piezas particularmente importantes del manual.



ADVERTENCIA: Se utilizan para señalar el riesgo de lesiones graves o mortales para el operador o para aquellos que se encuentren cerca si no se siguen las instrucciones del manual.



AVISO: Se utilizan para señalar el riesgo de dañar la máquina, otros materiales o el área adyacente si no se siguen las instrucciones del manual.

Tenga en cuenta: Se utilizan para entregar más información necesaria en situaciones particulares.

Instrucciones generales de seguridad



ADVERTENCIA: Lea atentamente las instrucciones de advertencia siguientes antes de usar el producto.

- El uso incorrecto o descuidado del producto puede convertirlo en una herramienta peligrosa que puede causar heridas graves o daños mortales. Es muy importante que lea y comprenda el contenido de este manual de usuario.
- En este producto se genera un campo electromagnético durante su funcionamiento. Este campo puede, en determinadas circunstancias, interferir con implantes médicos activos o pasivos. Para reducir el riesgo de lesiones graves o fatales, recomendamos a las personas con implantes médicos consultar a su médico y al fabricante del implante médico antes de usar esta máquina.
- La sobreexposición a las vibraciones puede producir trastornos vasculares o nerviosos en personas que padecen de trastornos circulatorios. Póngase en contacto con su médico si experimenta síntomas de la sobreexposición a las vibraciones. Estos síntomas son entumecimiento, pérdida de sensibilidad, hormigueo, ardor, dolor, pérdida de fuerza, cambios en el color o el estado de la piel. Normalmente, estos síntomas se presentan en los dedos, manos o muñecas. El riesgo aumenta a bajas temperaturas.
- Si se encuentra en una situación en la que no está seguro de cómo proceder, debe preguntarle a un experto. Póngase en contacto con el distribuidor o el taller de servicio. Evite todos los usos que considere que están más allá de su capacidad.
- Tenga en cuenta que el operador es responsable de los accidentes o los peligros que ocurren a otras personas o sus propiedades.
- Nunca permita que otras personas utilicen el producto sin asegurarse primero de que hayan comprendido el contenido del manual del usuario.
- Nunca permita que los niños utilicen el producto o que estén cerca de este. Debido a que el producto está equipado con un interruptor de detención que se acciona por resorte y se puede arrancar con baja velocidad y fuerza desde la empuñadura de arranque, incluso niños pequeños pueden, en determinadas circunstancias, lograr la fuerza necesaria para arrancar el producto. Esto puede significar riesgo de daños personales graves. Por consiguiente, saque el sombrerete de bujía cuando no se supervise el producto atentamente.
- Almacene el producto fuera del alcance de los niños.
- Nunca utilice el producto si está cansado, si ha ingerido alcohol o si toma medicamentos que puedan afectarle la vista, su capacidad de discernimiento o su coordinación.
- Nunca utilice un producto que esté defectuoso. Realice las comprobaciones de seguridad, el mantenimiento y las instrucciones de servicio descritas en este manual. Especialistas capacitados y calificados deben llevar a cabo algunas medidas de mantenimiento y servicio. Consulte las instrucciones en el capítulo Mantenimiento.
- Nunca utilice un producto que se haya modificado de cualquier modo con respecto a la especificación original.

Instrucciones de seguridad para el funcionamiento



ADVERTENCIA: Lea atentamente las instrucciones de advertencia siguientes antes de usar el producto.

- No utilice el producto en condiciones climáticas extremas como frío intenso o climas muy calurosos o húmedos.
 - Las cuchillas defectuosas pueden aumentar el riesgo de accidentes.
 - Asegúrese de que ninguna persona o animal se acerque a menos de 15 m (50 pies) mientras trabaja.
 - Preste atención a su entorno y asegúrese de que no haya riesgo de que ninguna persona o animal entre en contacto con el equipo de corte.
 - Inspeccione la zona de trabajo. Retire todos los objetos que puedan salir eyectados.
 - Asegúrese siempre de tener una posición de trabajo segura y firme.
 - Nunca deje el producto sin supervisión con el motor funcionando.
 - Asegúrese de que las manos y los pies no se acerquen a la unidad de corte cuando el motor esté funcionando.
 - Si algo se atasca en las cuchillas mientras trabaja, apague el motor y espere hasta que se haya detenido por completo antes de limpiar las cuchillas. Desconecte el sombrerete de bujía de la bujía.
 - Cuando apague el motor, mantenga las manos y los pies alejados de la unidad de corte hasta que se haya detenido completamente.
 - Tenga cuidado con los trozos de ramas que puedan salir eyectados durante el corte.
 - Preste atención a las señales de advertencia o gritos cuando utilice protectores auriculares. Siempre retire sus protectores auriculares apenas se detenga el motor.
 - No trabaje nunca desde una escalera, taburete ni ninguna otra posición elevada que no cumpla a cabalidad con las normas de seguridad.
- Utilice siempre las dos manos para sostener el producto. Mantenga el producto frente a su cuerpo.
 - Si se golpea algún objeto extraño o si se producen vibraciones, detenga la máquina de inmediato. Desconecte el sombrerete de bujía de la bujía. Compruebe que el producto no esté dañado. Repare cualquier daño.
 - Asegúrese de que el sombrerete de bujía y el cable de encendido estén en perfecto estado para evitar el riesgo de descarga eléctrica.
 - Verifique que todas las tuercas y tornillos estén firmes.
 - Asegúrese de que la caja de cambios esté correctamente lubricada. Consulte *Para lubricar el engranaje angulado y la caja de cambios en la página 43*.
 - La caja de cambios se calienta cuando se utiliza el producto. Para evitar quemaduras, no toque la caja de cambios.
 - Todas las cubiertas y protecciones se deben montar antes del uso.
 - Si las hojas se atascan, las puede soltar si inserta la llave combinada en la caja de cambios. Inserte la llave combinada en el engranaje y gírela hacia delante y hacia atrás. Consulte *Para examinar las cuchillas en la página 44*.
 - La protección para transportes siempre debe estar instalada en la unidad de corte cuando no se esté utilizando el producto.

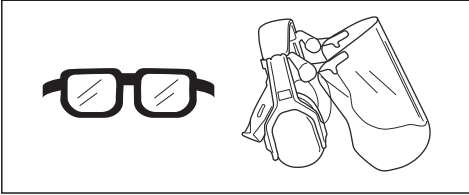
Equipo de protección personal



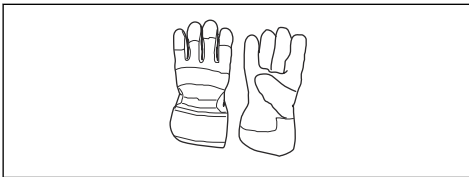
ADVERTENCIA: Lea atentamente las instrucciones de advertencia siguientes antes de usar el producto.

- Utilice siempre el equipo de protección personal adecuado cuando use el producto. El equipo de protección personal no puede impedir el riesgo de lesiones, pero disminuirá el grado de lesión si ocurre un accidente. Permita que su distribuidor le ayude seleccionar el equipo adecuado.

- Utilice protectores auriculares aprobados que proporcionen una reducción de ruido adecuada. La exposición prolongada al ruido puede causar la pérdida permanente de la audición.
- Use protección ocular homologada. Si utiliza un visor, también debe usar gafas protectoras homologadas. Las gafas protectoras homologadas deben cumplir con la norma ANSI Z87.1 de EE. UU. o EN 166 para países de la UE.



- Utilice guantes protectores en todo momento.

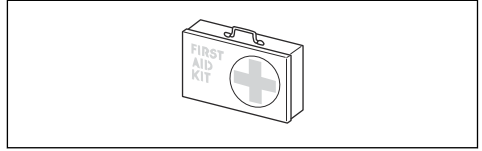


- Utilice botas o zapatos antideslizantes resistentes.



- Utilice ropa de material resistente. Use siempre pantalones largos y gruesos, y mangas largas. Evite usar ropas holgadas que se puedan enganchar con ramas. No trabaje con joyas, pantalones cortos, sandalias ni con los pies descalzos. Asegure su cabello por encima del nivel de los hombros.

- Mantenga un equipo de primeros auxilios a mano.



Dispositivos de seguridad en el producto

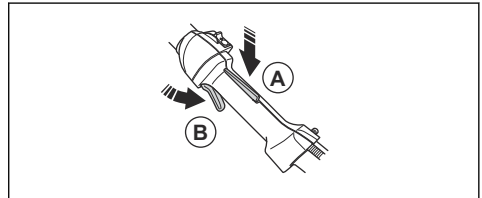


ADVERTENCIA: Lea atentamente las instrucciones de advertencia siguientes antes de usar el producto.

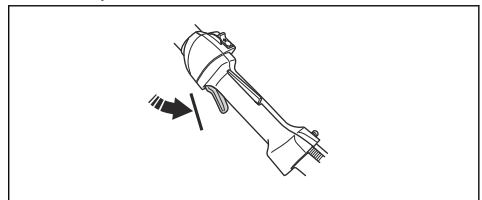
- No utilice un producto con dispositivos de seguridad defectuosos.
- Revise los dispositivos de seguridad de forma regular. Si los dispositivos de seguridad están defectuosos, comuníquese con su taller de servicio Husqvarna.

Comprobación del fiador del acelerador

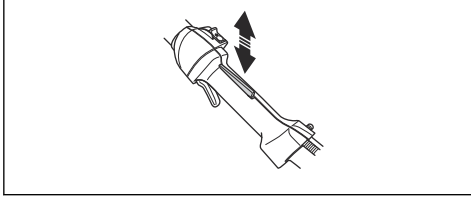
1. Asegúrese de que el bloqueo del acelerador (A) y el acelerador (B) se muevan libremente y que el muelle de retorno funcione de manera correcta.



2. Asegúrese de que el acelerador esté bloqueado en la posición de ralentí cuando el bloqueo del acelerador esté liberado.



3. Presione el bloqueo del acelerador hacia abajo y asegúrese de que vuelva a su posición inicial cuando lo suelte.



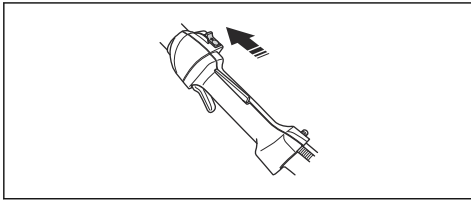
4. Encienda el producto y aplique la aceleración máxima. Consulte *Para arrancar el motor: en la página 36*.
5. Suelte el acelerador y asegúrese de que las hojas se detengan y permanezcan inmóviles.



ADVERTENCIA: Si las hojas se mueven cuando el acelerador está en la posición de ralentí, se debe ajustar el régimen de ralentí. Consulte *Para ajustar el régimen de ralentí en la página 40*.

Para comprobar el interruptor de detención

1. Arranque el motor.
2. Mueva el interruptor de detención a la posición de detención y asegúrese de que el motor se detenga.



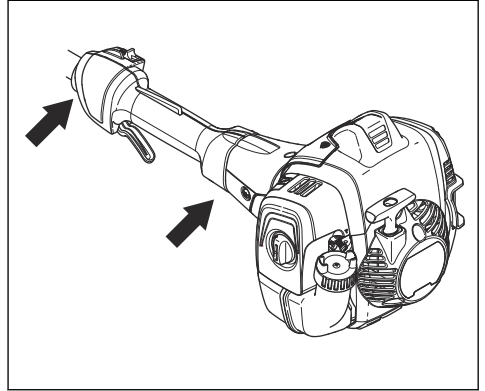
Para comprobar el sistema amortiguador de vibraciones



ADVERTENCIA: El uso de un equipo de corte incorrecto aumenta el nivel de vibraciones.

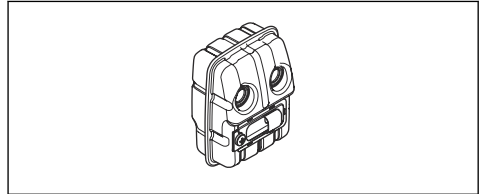
El sistema amortiguador de vibraciones disminuye al mínimo la vibración en las manijas. El sistema amortiguador de

vibraciones reduce de las vibraciones entre la unidad del motor y la unidad del eje.



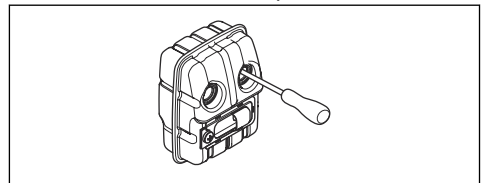
1. Detenga el motor.
2. Realice una inspección visual para detectar deformaciones y daños, por ejemplo, grietas.
3. Asegúrese de que los amortiguadores de vibraciones estén fijados correctamente.

Para revisar el silenciador

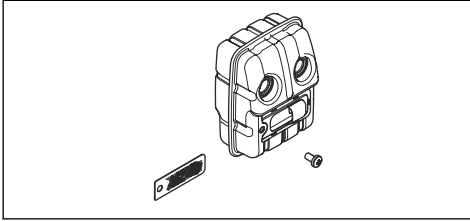


El silenciador mantiene los niveles de ruido al mínimo y dirige los gases de escape lejos del operador.

- Realice una comprobación visual para determinar si hay daños y deformaciones.
- Asegúrese de que el silenciador esté correctamente unido al producto.



- Si el silenciador de su producto tiene una rejilla apagachispas, realice una comprobación visual. Cambie la rejilla apagachispas si está dañada.
 - a) Limpie la rejilla apagachispas si está bloqueada. Una rejilla apagachispas obstruida hace que el motor se sobrecaliente y se dañe.
 - b) Asegúrese de que la red apagachispas esté montada correctamente.



Para comprobar las cuchillas

1. Detenga el motor y asegúrese de que las hojas se detengan.
2. Quite el sombrerete de bujía de la bujía.
3. Utilice guantes protectores.
4. Asegúrese de que las cuchillas no estén dañadas o dobladas. Siempre reemplace una hoja doblada o dañada.
5. Asegúrese de que los tornillos de las hojas estén apretados.

Para realizar una comprobación del engranaje angulado y de la caja de cambios



ADVERTENCIA: Para evitar quemaduras, deje que el producto se enfríe antes de tocar el engranaje angulado y la caja de cambios.

- Realice una comprobación visual para determinar si hay daños y deformaciones.

Seguridad de combustible



ADVERTENCIA: Lea atentamente las instrucciones de advertencia siguientes antes de usar el producto.

- No mezcle el combustible en interiores o cerca de una fuente de calor.
- No arranque el producto si hay combustible o aceite de motor en el producto. Quite el combustible o aceite no deseado y deje secar el producto. Quite el combustible no deseado del producto.
- Si derrama combustible en su ropa, cámbiese la ropa inmediatamente.
- No permita que le caiga combustible en el cuerpo, ya que puede causar lesiones. Si le cae combustible en el cuerpo, utilice jabón y agua para quitarlo.
- No arranque el motor si derrama aceite o combustible en el producto o en su cuerpo.
- No arranque el producto si el motor tiene una fuga. Examine frecuentemente el motor en busca de fugas.
- Tenga cuidado con el combustible. El combustible es inflamable y los gases son explosivos y pueden causar lesiones graves o fatales.
- No respire los gases del combustible, ya que pueden causar lesiones. Asegúrese de que haya suficiente flujo de aire.
- No fume cerca del combustible o del motor.
- No coloque objetos calientes cerca del combustible o del motor.
- No agregue combustible cuando el motor esté en marcha.
- Asegúrese de que el motor se enfríe antes de llenar el depósito de combustible.
- Antes de llenar el depósito de combustible, abra lentamente la tapa del depósito de combustible y libere la presión con cuidado.
- Asegúrese de que haya suficiente flujo de aire cuando recargue y mezcle combustible (gasolina y aceite para motores de dos tiempos) o cuando vacíe el depósito de combustible.
- El combustible y sus gases son altamente inflamables y pueden causar lesiones graves si se inhalan o entran en contacto con la piel. Por esta razón, tenga precaución al manipular el combustible y asegúrese de que haya suficiente ventilación.

- Apriete la tapa del depósito de combustible con cuidado para evitar incendios.
- Mueva el producto a un mínimo de 3 m (10 pies) de la posición en la que se llenó el depósito antes de empezar.
- No ponga demasiado combustible en el depósito de combustible.
- Asegúrese de que no se puedan provocar fugas cuando mueva el producto o el recipiente de combustible.
- No coloque el producto ni un recipiente de combustible donde haya una llama expuesta, una chispa o una fuente de calor. Asegúrese de que no haya una llama expuesta en el área de almacenamiento.
- Utilice solamente contenedores aprobados cuando mueva el combustible o coloque el combustible en el almacenamiento.
- Vacíe el depósito de combustible antes de un almacenamiento a largo plazo. Cumpla con las leyes locales en cuanto al lugar en dónde se puede deshacer del combustible.
- Limpie el producto antes de un almacenamiento a largo plazo.
- Retire el sombrerete de bujía antes de almacenar el producto para asegurarse de que el motor no arranque accidentalmente.

Instrucciones de seguridad para el mantenimiento



ADVERTENCIA: Lea atentamente las instrucciones de

advertencia siguientes antes de usar el producto.

- Detenga el motor y asegúrese de que el equipo de corte se detenga. Deje que el producto se enfríe antes de realizar tareas de mantenimiento.
- Desconecte el sombrerete de bujía antes de realizar el mantenimiento.
- Los gases de escape del motor contienen monóxido de carbono, un gas inodoro, tóxico y muy peligroso que puede causar la muerte. No arranque el producto en interiores o en espacios cerrados.
- Los gases de escape del motor están calientes y pueden contener chispas. No encienda el producto en interiores ni cerca de materiales inflamables.
- Accesorios y modificaciones en el producto que no estén aprobados por el fabricante pueden causar lesiones graves o la muerte. No modifique el producto. Siempre utilice accesorios originales.
- Si el mantenimiento no se realiza de manera correcta y regular, aumenta el riesgo de que se produzcan lesiones y que el producto se dañe.
- Solo realice mantenimiento según lo que se indica en este manual de usuario. Solicite que un Husqvarna taller de servicio realice todos los otros servicios.
- Permita que un taller de servicio Husqvarna aprobado realice trabajos de mantenimiento en el producto con regularidad.
- Cambie las piezas dañadas, desgastadas o rotas.

Montaje

Introducción

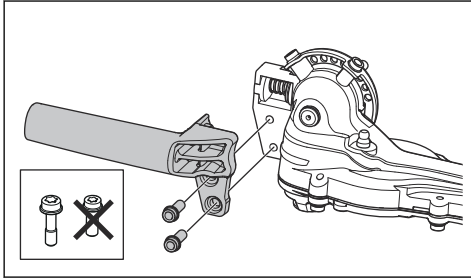
En este capítulo se describe cómo montar y ajustar el producto.



ADVERTENCIA: Antes de montar el producto, lea el capítulo sobre seguridad y las instrucciones de montaje.

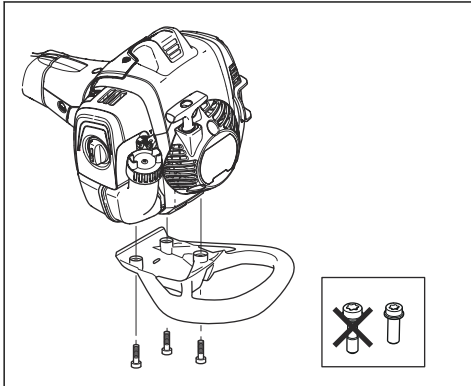
Para instalar la empuñadura

- Instale el mango con los 2 tornillos.



Para instalar la protección contra impactos (opcional)

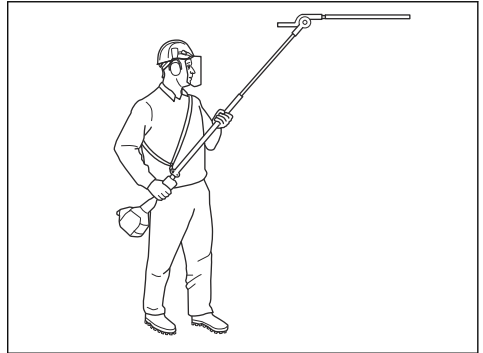
- Instale la protección contra impactos con los 3 tornillos.



Para ajustar el arnés (525HE4)

Use siempre el arnés cuando utilice el producto. El arnés permite el máximo nivel de control durante el funcionamiento del producto. El arnés disminuye el riesgo de cansancio físico.

1. Colóquese el arnés.
2. Enganche el producto al gancho de sujeción del arnés.
3. Ajuste la longitud del arnés hasta que el gancho de sujeción esté al nivel de su cadera.



Funcionamiento

Introducción



ADVERTENCIA: Antes de utilizar el producto, debe leer y entender el capítulo sobre seguridad.

Haga lo siguiente antes de usar el producto

- Examine el área de trabajo y retire los objetos sueltos.
- Revise la unidad de corte. Consulte *Para examinar las cuchillas en la página 44.*

- Asegúrese de que los dispositivos de seguridad del producto funcionen correctamente. No utilice el producto sin antes instalar correctamente todos los dispositivos de seguridad.
- Asegúrese de que todas las tuercas y los tornillos estén apretados.
- Asegúrese de que todas las cubiertas estén instaladas correctamente y que no estén dañadas antes de arrancar el producto.
- Asegúrese de que el equipo de corte se detenga cuando el motor se encuentre en régimen de ralentí.

Combustible

Este producto tiene un motor de dos tiempos.



AVISO: Usar el tipo incorrecto de combustible puede causar daños en el motor. Utilice una mezcla de gasolina y de aceite para motores de dos tiempos.

Combustible premezclado

- Utilice combustible de alquilato premezclado Husqvarna para obtener el mejor rendimiento y prolongar la vida útil del motor. Este combustible contiene menos químicos dañinos en comparación con el combustible normal, lo cual disminuye los gases de escape dañinos. La cantidad de restos después de la combustión es menor con este combustible, que mantiene más limpios los componentes del motor.

Para mezclar combustible

Gasolina

- Utilice gasolina sin plomo de buena calidad con un contenido máximo de un 10 % de etanol.



AVISO: No utilice gasolina con un octanaje inferior a 90 RON/ 87 AKI. El uso de gasolina de octanaje inferior puede causar el golpeteo del motor, lo que provoca daños en el motor.

Aceite para motores de dos tiempos

- Para obtener los mejores resultados y el mejor rendimiento, utilice aceite para motores de dos tiempos Husqvarna.
- Si el aceite para motores de dos tiempos Husqvarna no está disponible, utilice un aceite para motores de dos tiempos de buena calidad para motores enfriados por aire. Contáctese con su concesionario de servicio para seleccionar el aceite correcto.



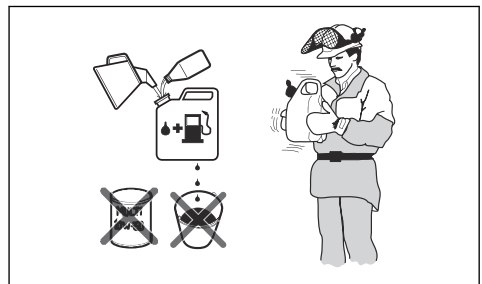
AVISO: No utilice aceite para motores de dos tiempos para motores fueraborda refrigerados por agua, también conocido como aceite para fueraborda. No utilice aceite para motores de cuatro tiempos.

Para mezclar gasolina y aceite para motores de dos tiempos

| Gasolina, litros | Aceite para motores de dos tiempos, litro |
|----------------------|---|
| | 2 % (50:1) |
| 5 | 0,10 |
| 10 | 0,20 |
| 15 | 0,30 |
| 20 | 0,40 |
| Galón estadounidense | Onza líquida EE. UU. |
| 1 | 2 ½ |
| 2 1/2 | 6 ½ |
| 5 | 12 ¾ |



AVISO: Los errores pequeños pueden influir drásticamente en la proporción de la mezcla cuando se mezclan cantidades pequeñas de combustible. Mida cuidadosamente la cantidad de aceite y asegúrese de obtener la mezcla correcta.



1. Llene la mitad de la cantidad de gasolina en un recipiente limpio para combustible.
2. Agregue la cantidad total de aceite.
3. Agite la mezcla de combustible.
4. Agregue la cantidad restante de gasolina al recipiente.
5. Agite cuidadosamente la mezcla de combustible.



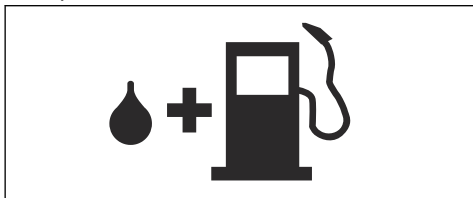
AVISO: No mezcle el combustible durante más de 1 mes cada vez.

Para llenar el depósito de combustible



ADVERTENCIA: Para su seguridad, siga el procedimiento que se indica a continuación.

1. Detenga el motor y deje que se enfríe.
2. Limpie el área alrededor del tapón del depósito de combustible.



3. Agite el recipiente y asegúrese de que el combustible esté totalmente mezclado.
4. Retire lentamente la tapa del depósito de combustible para liberar la presión.
5. Llene el depósito de combustible.



AVISO: Asegúrese de que el depósito de combustible no esté demasiado lleno. El combustible se expande cuando se calienta.

6. Apriete bien la tapa del depósito de combustible cuidadosamente.
7. Limpie los derrames de combustible en el producto y los alrededores.
8. Antes de arrancarlo, aleje el producto 3 m/10' o más del área de recarga de combustible y de la fuente de combustible.

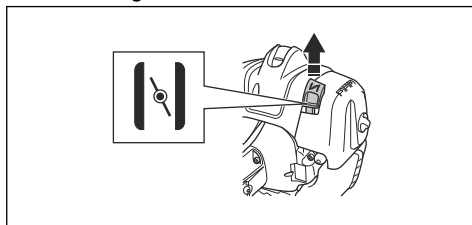
Tenga en cuenta: Para conocer la ubicación del depósito de combustible en el producto, consulte *Descripción general del producto en la página 25*.

Para arrancar el motor:

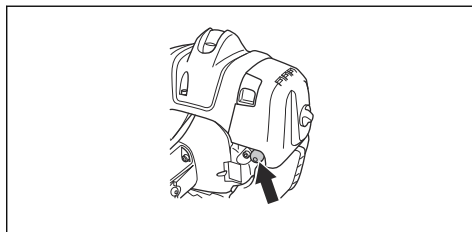


ADVERTENCIA: Manténgase a un mínimo de 15 m/50' de distancia de las personas y los animales cuando arranque el producto. Existe el riesgo de que el accesorio de corte comience a moverse.

1. Establezca el estrangulador en la posición de estrangulamiento.

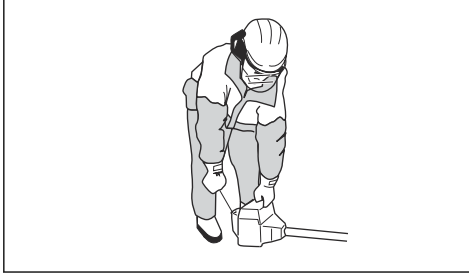


2. Empuje el bulbo de la bomba de combustible hasta que comience a llenarse con combustible.



Tenga en cuenta: No es necesario llenar completamente el bulbo de la purga de aire.

3. Mantenga el cuerpo del producto en el suelo con la mano izquierda. No coloque los pies sobre el producto.



4. Tire de la empuñadura de la cuerda de arranque lentamente hasta que sienta resistencia; luego, tire de la empuñadura de la cuerda de arranque con fuerza.



ADVERTENCIA: No se enrolle la cuerda de arranque en la mano.

5. Siga tirando de la empuñadura de la cuerda de arranque hasta que el motor arranque.

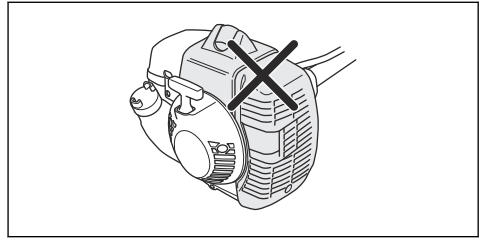


AVISO: No tire la cuerda de arranque en toda su extensión y no suelte la empuñadura de la cuerda de arranque. Suelte la cuerda de arranque lentamente para evitar que el producto se dañe.

6. Cuando el motor arranca, coloque el estrangulador en la posición de funcionamiento y aplique la aceleración máxima. El acelerador se desacoplará automáticamente de la posición de arranque.
7. Asegúrese de que el motor funcione correctamente.

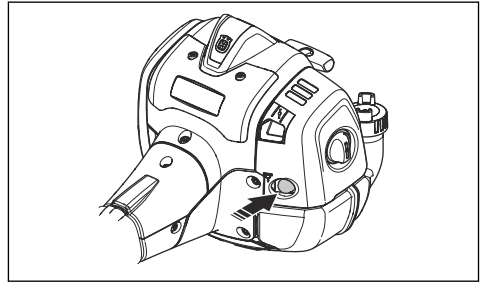


ADVERTENCIA: No utilice el producto con un sombrerete de bujía dañado a fin de evitar una sacudida eléctrica.



Para preparar un motor tibio para arrancar

1. Presione repetidas veces el bulbo de purga de aire hasta que el combustible comience a llenar el bulbo. No es necesario llenar completamente el bulbo de la purga de aire.



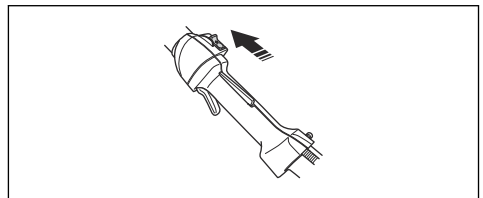
2. Tire de la empuñadura de la cuerda de arranque hasta que el motor arranque. Presione lentamente el acelerador para aumentar la velocidad gradualmente.



AVISO: No tire de la cuerda de arranque en toda su extensión. No suelte la empuñadura de la cuerda de arranque cuando la cuerda de arranque esté totalmente extendida. Esto puede provocar daños al producto.

Para detener la máquina

1. Mueva el interruptor de detención a la posición de detención para detener el motor.



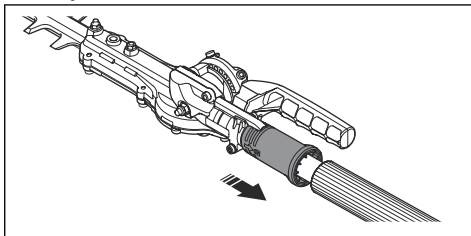


AVISO: El interruptor de detención regresa automáticamente a su posición inicial. Con el fin de evitar arranques accidentales, el sombrerete de bujía debe quitarse de la bujía cuando se realicen tareas de montaje, revisión o mantenimiento.



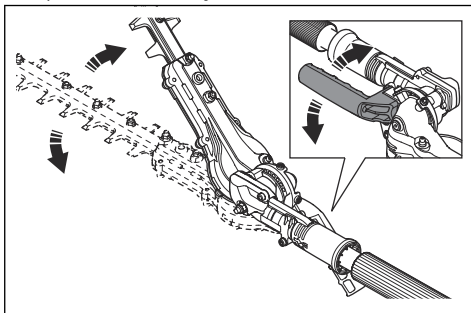
ADVERTENCIA: No opere la unidad de corte durante el ajuste del ángulo.

1. Deje que el motor funcione a régimen de ralentí y asegúrese de que la unidad de corte no se mueva.
2. Tire la palanca de ajuste de posición hacia abajo.

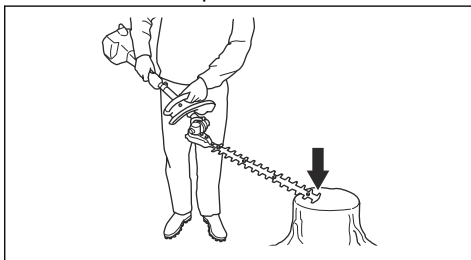


3. Incline la unidad de corte a la posición correcta. Realice uno de los siguientes pasos:

a) Utilice la manija.



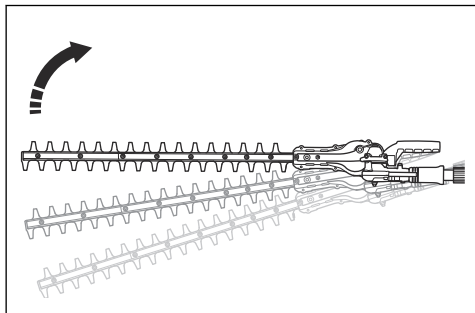
b) Empuje el extremo de la unidad de corte contra una superficie estable.



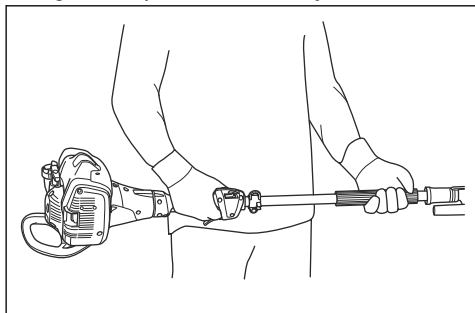
4. Suelte la manija de ajuste de posición para bloquear la unidad de corte.
5. Empuje la unidad de corte contra los setos para asegurarse de que está bloqueada.

Para hacer funcionar el producto

- Arránquelo cerca del suelo y mueva el producto a lo largo del seto cuando corte en los costados.



- Asegúrese de que el motor no toque el seto.
- Mantenga el producto cerca de usted para lograr una posición de trabajo estable.



- Asegúrese de que la unidad de corte no toque el suelo.
- Tenga cuidado y trabaje lentamente hasta que se corten correctamente todas las ramas.

Para ajustar el ángulo de la unidad de corte

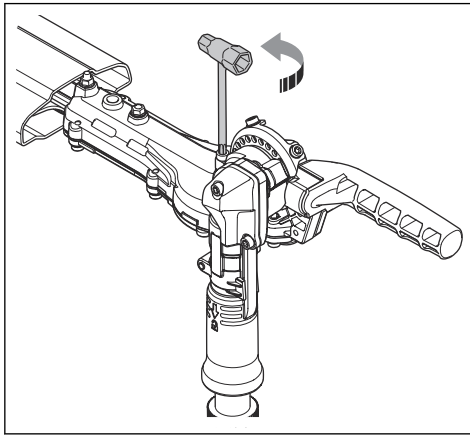
La unidad de corte se puede ajustar en 10 posiciones diferentes.

Para ajustar la fricción durante el ajuste del ángulo



ADVERTENCIA: No opere la unidad de corte mientras realiza el ajuste de la fricción.

1. Presione el interruptor de detención para detener el equipo.
2. Instale la protección para transportes en la unidad de corte.
3. Tire la palanca de ajuste de posición hacia abajo.
4. Incline la unidad de corte hasta la posición correspondiente.



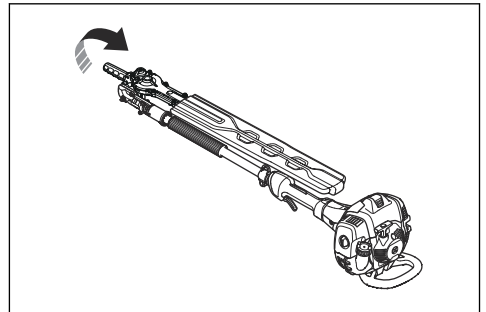
5. Ajuste el tornillo para establecer la fricción.
6. Ajuste la unidad de corte en diferentes posiciones para probar la fricción.

Para poner el producto en posición de transporte



ADVERTENCIA: No arranque el producto cuando esté en la posición de transporte.

1. Presione el interruptor de detención para detener el equipo.
2. Instale la protección para transportes en la unidad de corte.
3. Tire la palanca de ajuste de posición hacia abajo.
4. Pliegue la unidad de corte para que quede paralela al eje.



Mantenimiento

Introducción



ADVERTENCIA: Lea detenidamente el capítulo de

seguridad antes de realizar mantenimiento en el producto.

Programa de mantenimiento

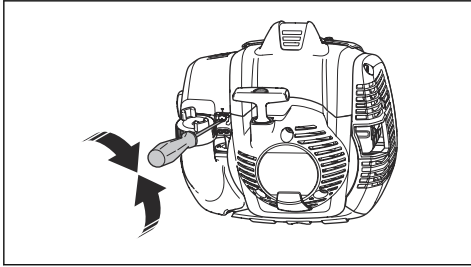
| Mantenimiento | Diario | Una vez por semana | Una vez por mes |
|-------------------------------|---------------------------------|--------------------|-----------------|
| Limpie la superficie externa. | Después de cada funcionamiento. | | |

| Mantenimiento | Diario | Una vez por semana | Una vez por mes |
|--|---------------------------------|--------------------|-----------------|
| Retire hojas, polvo y lubricante no deseado del silenciador, del tubo de escape y del motor. | Después de cada funcionamiento. | | |
| Asegúrese de que la unidad de corte no se mueva en el régimen de ralentí. | X | | |
| Compruebe el interruptor de detención | X | | |
| Examine la unidad de corte en busca de daños y grietas. Reemplácelos si es necesario. | X | | |
| Compruebe el bloqueo del acelerador y el acelerador. | X | | |
| Examine el motor, el depósito de combustible y los conductos de combustible para determinar si hay fugas. | X | | |
| Apriete tuercas y tornillos. | X | | |
| Inspeccione el filtro de combustible para determinar si presenta contaminación y la manguera de combustible para determinar si presenta grietas u otros defectos. Cámbielo si fuera necesario. | X | | |
| Examine el arranque y la cuerda de arranque en busca de daños. | | X | |
| Limpie el filtro de aire. Reemplácelos si es necesario. | | X | |
| Inspeccione los amortiguadores de vibraciones para determinar si presentan daños y grietas. | | X | |
| Inspeccione la bujía, consulte <i>Datos técnicos en la página 46</i> . | | X | |
| Limpie el sistema de refrigeración. | | X | |
| Limpie la superficie exterior del carburador y el espacio que lo rodea. | | X | |
| Limpie o reemplace la red apagachispas. | | | X |
| Limpie la superficie interior del depósito de combustible. | | | X |
| Asegúrese de que la caja de cambios esté engrasada. | | | X |

Para ajustar el régimen de ralentí

1. Limpie el filtro de aire e instale la cubierta del filtro de aire.
2. Encienda el producto. Consulte *Para arrancar el motor: en la página 36*.

3. Gire el tornillo de ajuste de ralentí en T en el sentido de las agujas del reloj hasta que la unidad de corte comience a moverse.



4. Gire el tornillo de ajuste de ralentí hacia la izquierda hasta que la unidad de corte se detenga.



ADVERTENCIA: Si la unidad de corte no se detiene cuando ajusta el régimen de ralentí, consulte con su concesionario de mantenimiento más cercano. No utilice el producto hasta que esté correctamente ajustado o reparado.

Tenga en cuenta: El régimen de ralentí es el correcto cuando el motor funciona correctamente en todas las posiciones. Consulte *Datos técnicos en la página 46* para conocer el régimen de ralentí recomendado.

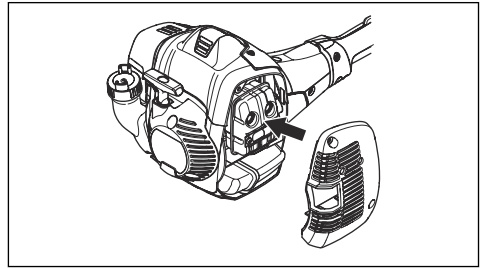
Para realizar tareas de mantenimiento en el silenciador

El silenciador reduce el nivel de ruido y dirige los gases de escape lejos del operador.

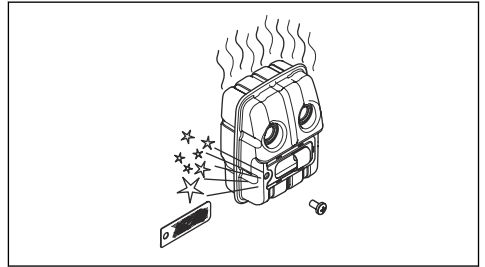


ADVERTENCIA: Los silenciadores que tienen catalizadores se calientan mucho durante el funcionamiento y se mantienen calientes durante un tiempo después de detener la máquina. Esto también se aplica al régimen de ralentí. Si toca la máquina, puede quemarse la piel. Considere el riesgo de incendio.

1. Detenga el producto y deje que se enfríe.
2. Retire la tapa del silenciador.



3. Retire el tornillo que fija la red apagachispas.



4. Limpie la red apagachispas si está bloqueada o reemplácela si está dañada.



AVISO: La red apagachispas debe sustituirse si está dañada. No utilice un producto si falta la red apagachispas en el silenciador o si está defectuosa.



AVISO: Si la red apagachispas se bloquea con frecuencia, esto puede ser un indicio de que ha disminuido el rendimiento del catalizador. Diríjase a su concesionario de servicio para examinar el silenciador. Una red apagachispas obstruida provoca un sobrecalentamiento y tiene como consecuencia daños en el cilindro y el pistón.

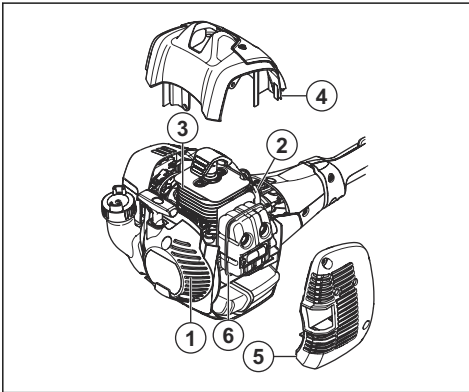
Sistema refrigerante

El producto cuenta con un sistema refrigerante para mantener la temperatura de funcionamiento lo más baja posible.

Limpie los componentes del sistema refrigerante con un cepillo semanalmente o con mayor frecuencia en condiciones más ásperas. Un sistema refrigerante sucio o bloqueado produce el sobrecalentamiento de la máquina, lo que provoca daños en el pistón y el cilindro.

El sistema refrigerante tiene los siguientes componentes:

1. Toma de aire en el motor de arranque
2. Aletas en el volante
3. Aletas de refrigeración en el cilindro
4. Cubierta del cilindro.
5. Cubierta del silenciador
6. Placa del silenciador

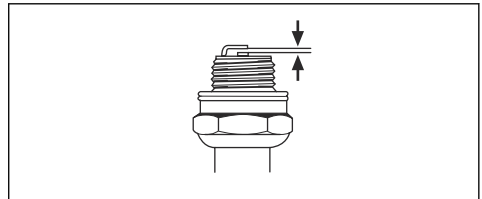


Para comprobar la bujía



AVISO: Utilice la bujía recomendada. Consulte *Datos técnicos en la página 46*. Una bujía incorrecta puede causar daños al producto.

1. Si el producto presenta dificultades para arrancar o funcionar, o si no funciona correctamente a régimen de ralentí, examine la bujía en busca de materiales no deseados. Para disminuir el riesgo de material no deseado en los electrodos de la bujía, realice estos pasos:
 - a) asegúrese de que el régimen de ralentí esté ajustado correctamente.
 - b) asegúrese de que la mezcla de combustible es la correcta.
 - c) asegúrese de que el filtro de aire esté limpio.
2. Limpie la bujía si está sucia.
3. Asegúrese de que la distancia entre los electrodos sea la correcta. Consulte *Datos técnicos en la página 46*.



4. Reemplace la bujía cada mes o más a menudo si es necesario.

Para limpiar el filtro de aire

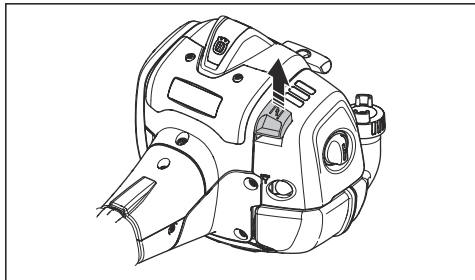


AVISO: Siempre se deben reemplazar los filtros de aire dañados, muy sucios o mojados con combustible.

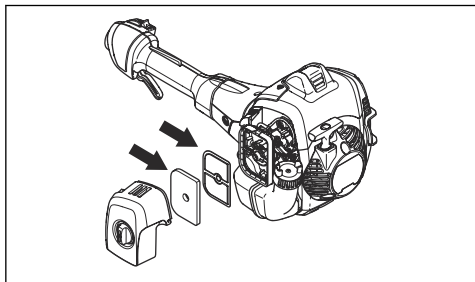
Limpie el filtro de aire de la suciedad y el polvo con regularidad. Esto evita fallas del carburador, problemas de arranque, pérdida de potencia del motor, el desgaste de las piezas del motor y un mayor consumo de combustible de lo habitual.

Si utiliza un filtro de aire durante mucho tiempo, no se puede limpiar completamente. Sustituya el filtro de aire por uno nuevo a intervalos regulares. Consulte *Programa de mantenimiento en la página 39*.

1. Mueva la palanca del estrangulador hacia arriba para cerrar la válvula estranguladora.



2. Quite la cubierta del filtro de aire y los filtros de aire.



3. Limpie los filtros de aire con agua jabonosa tibia.
4. Reemplace los filtros de aire si no se pueden limpiar por completo. Siempre reemplace un filtro de aire dañado.
5. Limpie la superficie interior de la cubierta del filtro de aire. Utilice aire comprimido o un cepillo.
6. Compruebe la junta de goma del filtro de aire. Cambie el filtro de aire si la junta de goma está dañada.
7. Asegúrese de que el filtro de aire esté seco antes de instalarlo.

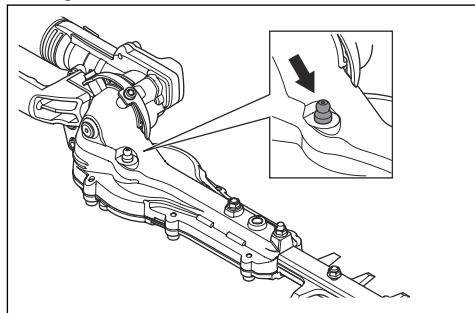
Para lubricar el engranaje angulado y la caja de cambios



ADVERTENCIA: Para evitar quemaduras, deje que el producto se enfríe antes de tocar el engranaje angulado y la caja de cambios.

Tenga en cuenta: El primer relleno de grasa de los productos nuevos se debe realizar después de aproximadamente 20 horas de funcionamiento.

- Utilice la grasa especial de Husqvarna. Póngase en contacto con su taller de servicio para obtener más información.
- Agregue la grasa a través de la boquilla de engrase.



AVISO: No llene la caja de cambios completamente.

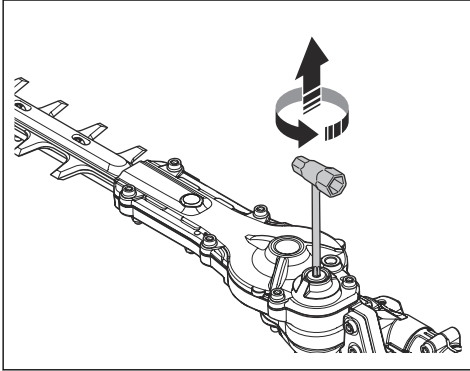
Para limpiar y lubricar las hojas

1. Retire materiales no deseados de las hojas antes y después de utilizar el producto.
2. Lubrique las cuchillas antes de períodos prolongados de almacenamiento.

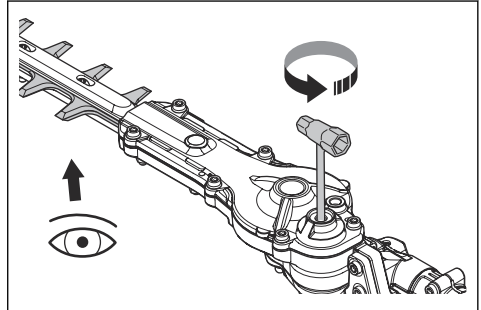
Tenga en cuenta: Comuníquese con su taller de servicio para obtener más información sobre los agentes de limpieza y lubricantes recomendados.

Para examinar las cuchillas

1. Retire el tornillo de la caja de cambios.



2. Coloque la llave combinada en la caja de cambios y gírela hacia la derecha y hacia la izquierda. Asegúrese de que las hojas se muevan libremente.



3. Inspeccione los bordes de las hojas para determinar si presentan daños o deformaciones.
4. Utilice una lima para quitar las rebabas de las hojas.
5. Vuelva a instalar todo en el orden inverso.

Solución de problemas

Solución de problemas

| El motor no arranca | | |
|-------------------------|--|--|
| Problema | Causa posible | Paso recomendado |
| Ganchos de arranque | Los ganchos de arranque no se pueden mover libremente. | Ajuste o reemplace los ganchos de arranque. |
| | | Limpie alrededor de los ganchos de arranque. |
| | | Consulte a un taller de servicio autorizado. |
| Depósito de combustible | Tipo de combustible incorrecto | Vacielo y utilice el combustible correcto. |
| Carburador | Régimen de ralentí incorrecto. | Ajuste el régimen de ralentí. |

| El motor no arranca | | |
|----------------------------|--|--|
| Problema | Causa posible | Paso recomendado |
| Ausencia de chispa | La bujía está sucia o mojada. | Asegúrese de que la bujía esté limpia y seca. |
| | Distancia entre los electrodos incorrecta. | Limpie la bujía. Asegúrese de que la distancia entre los electrodos de la bujía sea la correcta. Asegúrese de que la bujía está instalada con un supresor. |
| | | Consulte # para conocer la distancia correcta entre los electrodos. |
| Bujía | La bujía está floja. | Ajuste la bujía. |

| El motor arranca, pero se detiene de nuevo. | | |
|--|--------------------------------|---|
| Problema | Causa posible | Paso recomendado |
| Depósito de combustible | Tipo de combustible incorrecto | Vacielo y utilice el combustible correcto. |
| Carburador | Régimen de ralentí incorrecto. | Ajuste el régimen de ralentí. Consulte <i>Para ajustar el régimen de ralentí en la página 40.</i> Consulte a su taller de servicio si es necesario. |
| Filtro de aire | Filtro de aire obstruido. | Limpie el filtro de aire. |

| Hoja | | |
|--|---|--|
| Problema | Causas posibles | Paso recomendado |
| La hoja se mueve lentamente o no se mueve. | La hoja se bloquea o está dañada. | Limpie las hojas de materiales no deseados. Consulte <i>Para limpiar y lubricar las hojas en la página 43.</i> Quite las rebabas de la hoja, consulte la sección <i>Para examinar las cuchillas en la página 44.</i> Reemplace la hoja si está dañada. |
| La hoja no corta con facilidad. | La hoja no está bien afilada o está dañada. | Afile la hoja, consulte la sección <i>Para examinar las cuchillas en la página 44.</i> Reemplace la hoja si está dañada. |
| La hoja se calienta. | Hay fricción entre las hojas. | Quite las rebabas de la hoja y lubríquela. Consulte <i>Para examinar las cuchillas en la página 44.</i> |

Transporte, almacenamiento y eliminación de residuos

Transporte y almacenamiento

- Siempre deje que el producto se enfríe antes de guardarlo.
- Para el almacenamiento y el transporte del producto y del combustible, asegúrese de que no haya fugas o vapores. Las chispas o llamas, por ejemplo, de dispositivos eléctricos o calderas, pueden iniciar un incendio.
- Siempre use contenedores aprobados para el almacenamiento y el transporte del combustible.
- Vacíe el combustible antes de un almacenamiento prolongado. Deseche el combustible en un lugar adecuado para tal propósito.
- Fije la protección para transportes durante el transporte y almacenamiento.
- Quite el sombrerete de bujía de la bujía.
- Fije el producto durante el transporte. Asegúrese de que no se mueva.
- Limpie y realice mantenimiento en el producto antes de almacenarlo durante un período prolongado.

Datos técnicos

Datos técnicos

| | 525HE3 | 525HE4 |
|---|-----------------|-----------------|
| Motor | | |
| Cilindrada, cm ³ /pulg. ³ | 25,4/1,55 | 25,4/1,55 |
| Régimen de ralentí, rpm | 2800-3200 | 2800-3200 |
| Velocidad máxima recomendada, rpm | 11 000-12 000 | 11 000-12 000 |
| Potencia máxima del motor, según la norma ISO 8893, kW/hp a rpm | 1,0/1,3 a 8500 | 1,0/1,3 a 8500 |
| Silenciador con catalizador | Sí | Sí |
| Sistema de encendido | | |
| Bujía | Husqvarna HQT-2 | Husqvarna HQT-2 |
| Distancia entre los electrodos, mm/pulg | 0,65/0,026 | 0,65/0,026 |
| Combustible y sistema de lubricación | | |
| Capacidad del depósito de combustible, l/pinta EE. UU. | 0,5/1,06 | 0,5/1,06 |
| Peso | | |
| Peso, kg/lb | 5,9/13 | 6,3/13,9 |
| Cuchillas | | |
| Tipo | Doble cara | Doble cara |
| Longitud de corte, pulgadas/mm | 23,6/600 | 23,6/600 |

| | 525HE3 | 525HE4 |
|--------------------------------|---------------|---------------|
| Velocidad de corte, cortes/min | 4400 | 4400 |

DECLARACIÓN DE GARANTÍA DEL CONTROL DE EMISIONES DE VAPORES Y DE ESCAPE CONFORME A LA NORMATIVA DE CALIFORNIA, LA NORMATIVA FEDERAL DE LOS ESTADOS UNIDOS Y LA NORMATIVA DE CANADÁ

DERECHOS Y OBLIGACIONES DE LA GARANTÍA

La Junta de Recursos del Aire de California (CARB, del inglés California Air Resources Board), la Agencia de Protección Medioambiental de EE. UU. (EPA, del inglés Environmental Protection Agency), el ministerio de Medioambiente y Cambio Climático de Canadá Husqvarna Professional Products, Inc. se complacen en profundizar sobre la garantía del sistema de control de emisiones de vapores y de escape (“emisiones”) para 2019-2020 motores pequeños para todoterreno*. En el estado de California, los nuevos equipos que utilizan motores pequeños para todoterreno se deben diseñar, construir y equipar conforme a las estrictas normas de control de emisiones contaminantes del Estado. Husqvarna Professional Products, Inc. debe proporcionar una garantía para el sistema de control de emisiones del motor pequeño para todoterreno por los períodos que se indican a continuación, siempre que no haya ningún abuso, negligencia ni mantenimiento incorrecto del motor pequeño para todoterreno o del equipo que pueda provocar la falla del sistema de control de emisiones. El sistema de control de emisiones puede incluir piezas como un carburador o un sistema de inyección de combustible, un sistema de encendido, un catalizador, depósitos de combustible, tuberías de combustible (para combustible líquido y vapores de combustible), tapones de combustible, válvulas, depósitos, filtros, abrazaderas y otros componentes asociados. Además, puede incluir mangueras, correas, conectores

y otros montajes relacionados con las emisiones. Cuando exista una condición cubierta por la garantía, Husqvarna Professional Products, Inc. reparará el motor de pequeña cilindrada para todoterreno sin costo, incluido el diagnóstico, las piezas y la mano de obra.

COBERTURA DE LA GARANTÍA DEL FABRICANTE

El sistema de control de emisiones de vapores y de escape del motor pequeño para todoterreno tiene una garantía de dos años. Si alguna de las piezas del motor de pequeña cilindrada para todoterreno relacionada con las emisiones tiene una falla, Husqvarna Professional Products, Inc. reparará o reemplazará la pieza.

RESPONSABILIDADES DE GARANTÍA DEL PROPIETARIO

- Como propietario del motor pequeño para todoterreno, usted es responsable de la ejecución del mantenimiento necesario que se detalla en el manual del propietario. Husqvarna Professional Products, Inc. recomienda que conserve todos los recibos que cubran el mantenimiento del motor pequeño para todoterreno; sin embargo, Husqvarna Professional Products, Inc. no puede negar la cobertura de la garantía solo por la falta de recibos o porque no pueda garantizar la realización de todo el mantenimiento programado.
- No obstante, como propietario del motor de pequeña cilindrada para todoterreno debe saber que Husqvarna Professional Products, Inc. puede negar la cobertura de la garantía si dicho motor o una de sus piezas falló como resultado del abuso, negligencia o mantenimiento incorrecto, o modificaciones no aprobadas.
- Usted es responsable de llevar el motor de pequeña cilindrada para uso fuera de carretera a un concesionario de servicio Husqvarna Professional Products, Inc. autorizado lo antes posible en cuanto surja un problema. Las reparaciones bajo

garantía se deben realizar dentro de un tiempo razonable que no supere los 30 días. Si tiene preguntas acerca de los derechos y las responsabilidades que implica esta garantía, debe comunicarse con Husqvarna Professional Products, Inc. en EE. UU. al 1-800-487-5951, en CANADÁ al 1-800-805-5523 o enviar un correo electrónico a emissions@husqvarnagroup.com o warranty@hpp-emissions.com.

FECHA DE INICIO DE LA GARANTÍA

El período de garantía comienza en el momento en que se entrega el motor o equipo al comprador final.

EXTENSIÓN DE LA COBERTURA

Husqvarna Professional Products, Inc. le garantiza al comprador final y a cualquier comprador posterior que el motor, así como el equipo, se diseñaron, construyeron y equiparon para que cumplan con las normativas pertinentes adoptadas por la CARB y la EPA, y que está libre de defectos en cuanto a materiales y mano de obra que causen la falla de una pieza cubierta por la garantía durante un período de dos años.

ELEMENTOS CON COBERTURA

REPARACIÓN O REEMPLAZO DE PIEZAS:

La reparación o el reemplazo de cualquier pieza defectuosa en garantía se realizará sin cargo para el propietario en un taller de servicio autorizado. El propietario puede elegir el taller de reparación o una persona que realice los servicios de mantenimiento, reemplazo o reparación de los dispositivos y sistemas de control de emisiones, con excepción de las reparaciones y el reemplazo detallados en esta garantía de control de emisiones. Sin embargo, Husqvarna Professional Products, Inc. recomienda que un taller de servicio autorizado de la marca realice todos los servicios de mantenimiento, reemplazo y reparación de los dispositivos y sistemas de control de emisiones.

IMPORTANTE: Este producto cumple con la normativa Fase 3 de la EPA (Environmental Protection Agency, Agencia de Protección

Medioambiental) de EE. UU. referente a emisiones de escape y evaporación. Para garantizar el cumplimiento de la EPA Fase 3 de EE. UU. y con las regulaciones de la Junta de Recursos del Aire de California (California Air Resources Board) y del ministerio de Medioambiente y Cambio Climático de Canadá (Environment and Climate Change Canada), recomendamos utilizar únicamente piezas de repuesto originales de la marca del producto. El uso de piezas de repuesto que no cumplan con esta norma es una violación de las leyes federales y estatales.

PERÍODO DE GARANTÍA: Cualquier pieza cubierta por la garantía que no esté programada para reemplazo como mantenimiento necesario, o que esté programada solo para una inspección regular al efecto de "reparación o reemplazo según sea necesario", contará con una garantía de 2 años (o la duración establecida en la garantía del producto, lo que sea mayor) desde la fecha de compra del comprador original. Toda pieza que esté programada para su sustitución como parte del mantenimiento necesario estará garantizada por el período hasta la primera sustitución programada de la pieza. Cualquier pieza reparada o sustituida en conformidad con la garantía debe estar garantizada durante el lapso restante del período.

DIAGNÓSTICO: No se aplicarán tarifas por los trabajos de diagnóstico que lleven a determinar que una pieza bajo garantía se encuentra de hecho defectuosa, siempre y cuando dicho trabajo de diagnóstico se realice en un taller de servicio autorizado de la marca.

OTROS DAÑOS: Husqvarna Professional Products, Inc. reparará los daños a otros componentes del motor causados por la falla de una pieza garantizada que aún se encuentre cubierta por la garantía.

LISTADO DE PIEZAS DE EMISIONES CUBIERTAS POR LA GARANTÍA

1. Carburador y piezas de admisión o sistemas de inyección de combustible.

2. Filtro de aire y filtro de combustible, cubiertos hasta el programa de mantenimiento.
3. Bujía, cubierta hasta el programa de mantenimiento.
4. Módulo de ignición.
5. Silenciadores con catalizadores y colectores de escape.
6. Depósito de combustible, tuberías de combustible (para combustible líquido y vapores de combustible), tapón de combustible, depósito de carbono y válvulas de seguridad o antiderrame, según corresponda**.
7. Controles electrónicos, y válvulas e interruptores susceptibles al tiempo, la temperatura y la succión.
8. Mangueras, conectores y montajes.
9. Todos los otros componentes cuya falla aumentaría las emisiones de vapores y de escape del motor de cualquier contaminante reglamentado, como se establece en la siguiente sección:
 - En el caso del estado de California, consulte el California Code of Regulation (Código de Regulaciones de California) 13 CCR §2405(d) y 2760(d).
 - Para los Estados Unidos y Canadá, consulte el US Federal Code of Regulations (Código de disposiciones federales de los Estados Unidos), 40 C.F.R 1068, Anexo I (III).

ELEMENTOS SIN COBERTURA

Las fallas causadas por abuso, negligencia, modificaciones no aprobadas, mal uso o mantenimiento incorrecto no están cubiertas por la garantía.

AÑADIDURAS O PIEZAS MODIFICADAS: No pueden utilizarse las añadiduras o piezas modificadas no exentas por la CARB o la EPA. La utilización de añadiduras o de piezas modificadas no exentas podrá servir de fundamento para anular una reclamación de garantía. Husqvarna Professional Products, Inc. no será responsable de las fallas de garantía de las piezas garantizadas provocadas por el uso de complementos o piezas modificadas no exentos.

CÓMO PRESENTAR UNA RECLAMACIÓN

Si tiene preguntas relacionadas con sus derechos y responsabilidades de la garantía, deberá comunicarse con su concesionario de servicio autorizado más cercano o llamar a Husqvarna Professional Products, Inc. en EE. UU. al 1-800-487-5951, en CANADÁ al 1-800-805-5523 o enviar un correo electrónico a emissions@husqvarnagroup.com o warranty@hpp-emissions.com.

DÓNDE OBTENER SERVICIOS DE LA GARANTÍA

Las reparaciones o los servicios de la garantía se brindan a través de todos los talleres de servicio autorizados de Husqvarna Professional Products, Inc.. Si el taller de servicio autorizado más cercano se encuentra a más de 160 kilómetros (100 millas) de su ubicación, Husqvarna Professional Products, Inc. se encargará de organizar y pagar los costos de envío al taller de servicio autorizado de la marca, y desde este, o dispondrá un servicio de garantía en conformidad con las normativas correspondientes.

MANTENIMIENTO, REEMPLAZO Y REPARACIÓN DE PIEZAS RELACIONADAS CON EL CONTROL DE EMISIONES

Cualquier pieza para sustituir una defectuosa puede utilizarse en cualquier mantenimiento o reparación bajo garantía y deben proporcionarse al propietario sin cargo. Dicho uso no reducirá las obligaciones de la garantía por parte del fabricante.

DECLARACIÓN DE MANTENIMIENTO

El propietario es responsable de la realización de todo el mantenimiento requerido, según se establece en el manual del propietario.

* El año del modelo actual y subsiguiente se actualizará anualmente en la declaración de garantía proporcionada al consumidor. Por ejemplo, en el año del modelo 2012, se especificará 2012-2013.

** Piezas de emisiones evaporativas.

Table des matières

| | | | |
|---------------------|----|--|----|
| Introduction..... | 51 | Dépannage..... | 70 |
| Sécurité..... | 53 | Transport, entreposage et mise au rebut..... | 72 |
| Montage..... | 59 | Données techniques..... | 72 |
| Fonctionnement..... | 60 | Garantie..... | 74 |
| Entretien..... | 66 | | |

Introduction

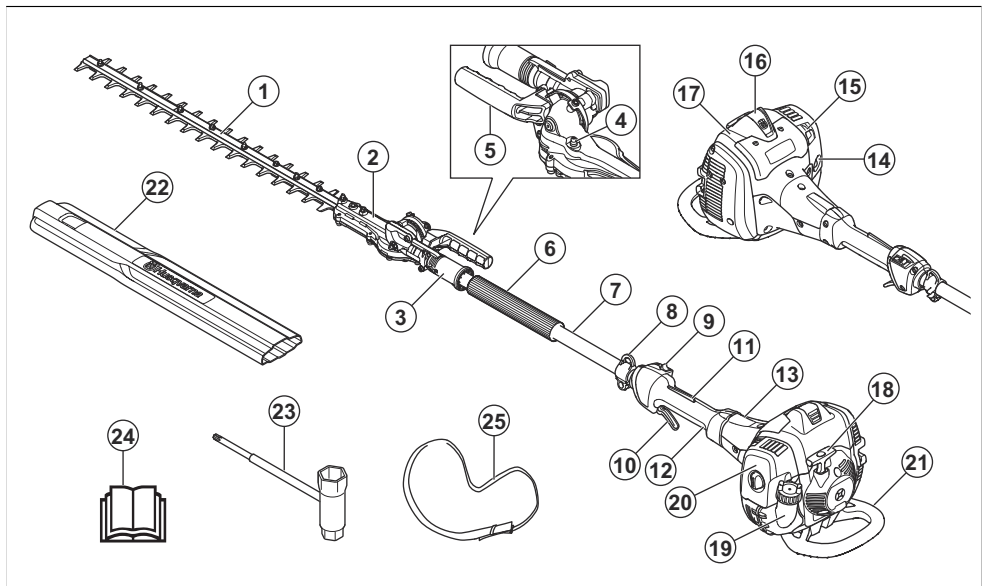
Description de l'outil

Le produit est un taille-haie avec moteur à combustion.

Utilisation prévue

Utiliser cet outil pour couper les branches et les broussailles. Ne pas utiliser l'outil pour d'autres tâches.

Présentation du produit



1. Lame
2. Boîte d'engrenages
3. Poignée de réglage de la position
4. Raccord de graissage
5. Poignée
6. Poignée avant
7. Arbre
8. Crochet de support du harnais (525HE4)
9. Interrupteur d'arrêt
10. Commande des gaz
11. Dispositif de verrouillage de la gâchette de l'accélérateur
12. Poignée arrière
13. Couvercle d'embrayage
14. Pompe de purge d'air
15. Commande de l'étrangleur
16. Capuchon de bougie et bougie d'allumage
17. Couvercle de vérin
18. Corde du lanceur
19. Réservoir de carburant

- 20.Couvercle du filtre à air
- 21.Protection antichoc
- 22.Dispositif de protection pour le transport
- 23.Clé à usages multiples
- 24.Manuel de l'opérateur
- 25.Harnais (525HE4)

Symboles figurant sur le produit



Arrêt.



Ce produit peut être dangereux et causer des blessures très graves, ou même mortelles, à l'utilisateur et à d'autres personnes. Faire attention et utiliser le produit correctement.



Lire soigneusement le manuel d'instructions et veiller à bien comprendre les directives avant d'utiliser cette machine.



Utiliser un casque de protection dans les endroits où des objets peuvent tomber sur vous. Utiliser un dispositif de protection homologué pour les oreilles. Utiliser un dispositif de protection homologué pour les yeux.



Toujours porter des gants de protection homologués.



Porter des bottes stables avec semelles antidérapantes.



Arrêter complètement le produit avant de toucher à l'outil de coupe.



Tenir toute partie du corps à l'écart des surfaces chaudes.



Carburant.



Volet de départ.



Pompe de purge d'air.



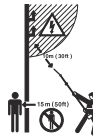
Vis de réglage du ralenti.



Aiguille à haut régime.



Aiguille à bas régime.



Ce produit n'est doté d'aucune isolation électrique. Si le produit touche des lignes à haute tension ou est utilisé à proximité de celles-ci, cela pourrait entraîner la mort ou des blessures graves.

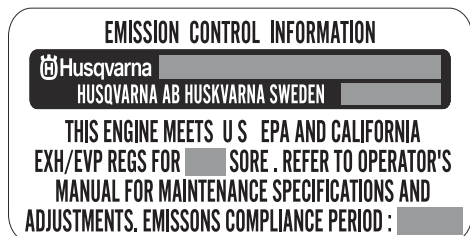
L'électricité peut se transmettre entre des objets différents par une courbe. Plus la tension est élevée, plus l'électricité est transmise sur une longue distance. L'électricité peut également être transmise dans les branches et d'autres objets, particulièrement s'ils sont mouillés. Toujours conserver une distance d'au moins 10 m (33 pi) entre le produit et les lignes à haute tension. S'assurer que l'alimentation est coupée avant de commencer le travail à proximité des lignes électriques. Pendant l'utilisation, garder une distance minimale de 15 m/50 pi avec d'autres personnes ou des animaux.

yyyywwxxxx

La plaque signalétique indique le numéro de série. **yyyy** représente l'année de production et **ww** indique la semaine de production.

Remarque : Les autres symboles et autocollants apposés sur le produit se rapportent aux exigences en matière de certification pour certains marchés.

EPA III



La période de conformité aux réglementations antipollution de l'autocollant de conformité d'émissions indique le nombre nominal d'heures de fonctionnement du moteur conformément aux réglementations du gouvernement fédéral américain et de la Californie.

Proposition 65



Responsabilité concernant le produit

Comme indiqué dans les lois en vigueur sur la responsabilité concernant les produits, nous ne serons pas tenus responsables des dommages que notre produit causerait dans les situations suivantes :

- Le produit n'est pas réparé de façon adéquate.
- Le produit est réparé avec des pièces qui ne sont pas fournies ou homologuées par le fabricant.
- Le produit comprend un accessoire qui n'est pas fourni ou homologué par le fabricant.
- Le produit n'est pas réparé par un centre de service après-vente agréé ou par une autorité homologuée.

Sécurité

Définitions relatives à la sécurité

Les avertissements, recommandations et remarques soulignent des points du manuel qui revêtent une importance particulière.



AVERTISSEMENT : Indique la présence d'un risque de blessure ou de décès de l'utilisateur ou de personnes à proximité si les instructions du manuel ne sont pas suivies.



MISE EN GARDE : Indique la présence d'un risque de dommages au produit, à d'autres appareils ou à la zone adjacente si les instructions du manuel ne sont pas suivies.

Remarque : Utilisé pour donner des renseignements plus détaillés qui sont nécessaires dans une situation donnée.

Consignes générales de sécurité



AVERTISSEMENT : Lire les messages d'avertissement qui suivent avant d'utiliser l'outil.

- Une utilisation inappropriée ou imprudente du produit risque d'en faire un outil dangereux susceptible de provoquer des blessures graves, voire mortelles. Il est extrêmement important de lire et de comprendre le contenu de ce manuel de l'opérateur.
- Ce produit produit un champ électromagnétique pendant le fonctionnement. Ce champ magnétique peut, dans certains cas, nuire aux implants médicaux actifs ou passifs. Pour réduire le risque de blessures graves ou mortelles, nous recommandons aux personnes ayant des implants médicaux de consulter leur médecin et le fabricant de l'implant médical avant d'utiliser le produit.
- La surexposition aux vibrations peut engendrer des problèmes circulatoires ou des troubles nerveux, en particulier chez les personnes ayant des troubles circulatoires. En cas de symptômes liés à une surexposition aux vibrations, consulter un médecin. Voici certains de ces symptômes : engourdissement, perte de sensibilité, fourmillement, picotement, douleur, faiblesse musculaire, décoloration ou modification de l'épiderme. Ces symptômes apparaissent normalement aux doigts, aux mains et aux poignets. Les risques augmentent à basse température.
- Il est recommandé de consulter un expert en cas de doute. Communiquer avec votre

concessionnaire ou votre atelier d'entretien. Éviter toutes les utilisations qui vous semblent difficiles.

- Garder en tête que l'opérateur ou l'utilisateur est responsable des accidents et des risques survenant à d'autres personnes, ainsi que de ses biens.
- Ne jamais laisser des gens utiliser le produit sans d'abord s'assurer qu'ils ont compris le contenu du manuel de l'opérateur.
- Ne jamais laisser des enfants utiliser le produit ou se tenir à proximité de celui-ci. Puisque le produit est équipé d'un interrupteur de marche-arrêt à ressort et peut être démarré à bas régime ou en exerçant une légère force sur la poignée du lanceur, même des jeunes enfants dans certaines circonstances peuvent produire la force nécessaire pour démarrer le produit. Cela peut entraîner un risque de graves blessures. Par conséquent, retirer le capuchon de la bougie d'allumage lorsque le produit n'est pas sous une surveillance stricte.
- Entreposer le produit hors de portée des enfants.
- N'utilisez jamais le produit si vous êtes fatigué, sous l'effet de l'alcool ou de médicaments susceptibles de nuire à la vision, au bon jugement ou à la coordination.
- Ne jamais utiliser un appareil défectueux. Effectuer les vérifications, l'entretien et les réparations conformément aux instructions fournies dans ce manuel. Certaines mesures d'entretien et de réparation doivent être effectuées par des spécialistes formés et qualifiés. Voir les instructions sous la rubrique Entretien.
- Ne jamais utiliser un appareil qui a été modifié de quelque manière que ce soit par rapport aux spécifications d'origine.

Consignes de sécurité pour l'utilisation



AVERTISSEMENT : Lire les messages d'avertissement qui suivent avant d'utiliser l'appareil.

- N'utilisez jamais le produit dans des conditions climatiques extrêmes, par exemple, dans des climats extrêmement froids, très chauds ou très humides.
- Des lames en mauvais état augmentent le risque d'accident.
- S'assurer qu'aucune personne ni aucun animal ne s'approche à moins de 15 m (50 pi) pendant le travail.
- Observer la zone environnante et s'assurer qu'il n'y a aucune personne ou aucun animal qui risque d'entrer en contact avec l'équipement de coupe.
- Inspecter la zone de travail. Retirer tout objet susceptible d'être projeté.
- Toujours s'assurer d'être dans une position de travail sécuritaire et stable.
- Ne jamais laisser le produit sans surveillance alors que le moteur est en marche.
- Lorsque le moteur est en marche, garder les mains et les pieds à l'écart de l'unité de coupe.
- Si un objet se coince dans les lames durant le travail, couper le moteur et attendre qu'il s'arrête complètement avant de nettoyer les lames. Débranchez le chapeau de bougie de la bougie.
- Lorsque le moteur est coupé, garder les mains et les pieds à l'écart de l'unité de coupe jusqu'à ce qu'il soit complètement arrêté.
- Faire attention aux branches pouvant être projetées durant la coupe.
- Rester attentif aux appels ou cris d'avertissement en cas de port de protecteurs d'oreilles. Toujours enlever les protecteurs d'oreilles dès que le moteur s'arrête.
- Ne jamais travailler debout sur une échelle, un tabouret, ou dans une autre position élevée n'offrant pas une sécurité maximale.
- Toujours tenir le produit à deux mains. Tenir l'outil en avant du corps.
- Si le produit touche un objet étranger quelconque ou produit des vibrations, l'arrêter immédiatement. Débranchez le chapeau de bougie de la bougie. S'assurer que le produit n'a pas subi de dommages. Réparer tout dommage.
- S'assurer que le capuchon de la bougie d'allumage et le fil d'allumage ne sont pas endommagés, afin d'éviter le risque de décharge électrique.
- Vérifier le serrage de l'ensemble des écrous et des vis.
- S'assurer que la boîte de vitesses est correctement lubrifiée. Se reporter à la section *Pour lubrifier le pignon conique et la boîte de vitesses à la page 69.*
- La boîte de vitesses devient chaude après l'utilisation du produit. Ne pas toucher la boîte de vitesses afin d'éviter les brûlures.
- Tous les couvercles et toutes les protections doivent être montés avant le démarrage.
- Si les lames se bloquent, il est possible de les desserrer en insérant une clé à usages multiples dans la boîte de vitesses. Insérer la clé à usages multiples dans l'engrenage et la tourner d'avant en arrière. Se reporter à la section *Pour examiner les lames à la page 70.*
- Toujours installer la protection de transport sur l'unité de coupe lorsque le produit n'est pas en cours d'utilisation.

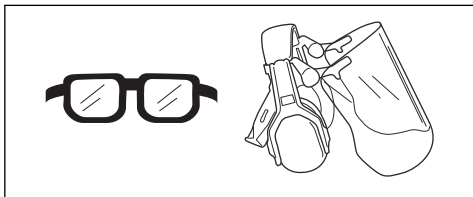
Équipement de protection personnelle



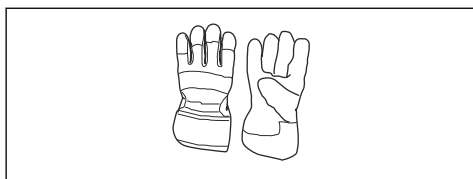
AVERTISSEMENT : Lire les messages d'avertissement qui suivent avant d'utiliser l'appareil.

- Toujours utiliser un équipement de protection personnelle homologué lors de l'utilisation de l'appareil. Cet équipement de protection personnelle n'élimine pas complètement les risques de blessures, mais il peut en réduire la gravité en cas d'accident. Laisser le concessionnaire vous aider à sélectionner l'équipement adéquat.
- Porter des protecteurs d'oreille homologués qui assurent une réduction adéquate du bruit. L'exposition prolongée au bruit peut causer des lésions auditives permanentes.
- Utiliser un dispositif de protection homologué pour les yeux. Porter

également des lunettes de protection homologuées en cas d'utilisation d'une visière. Les lunettes de protection homologuées doivent être conformes à la norme ANSI Z87.1 aux États-Unis ou à la norme EN 166 dans les pays de l'Union européenne.



- Portez toujours des gants de protection.



- Porter des bottes ou chaussures antidérapantes robustes.



- Utiliser des vêtements faits de tissus résistants. Toujours utiliser des pantalons longs et lourds et des manches longues. Ne pas porter des vêtements amples qui peuvent se prendre dans les broussailles et les branches. Ne pas porter des bijoux, des pantalons courts, des sandales et ne pas marcher pieds nus. Garder les cheveux au-dessus des épaules.
- Garder une trousse de premiers soins à portée de main.



Dispositifs de sécurité sur l'outil

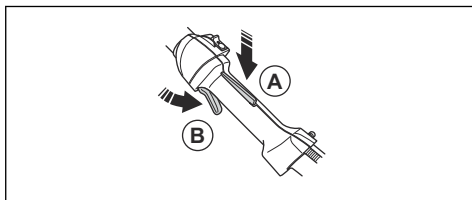


AVERTISSEMENT : Lire les messages d'avertissement qui suivent avant d'utiliser l'outil.

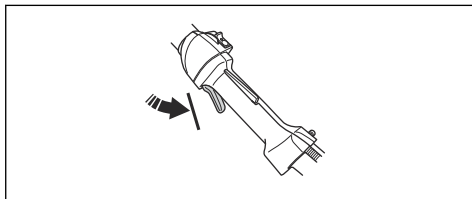
- Ne pas utiliser un outil dont les dispositifs de protection sont défectueux.
- Vérifier régulièrement les dispositifs de sécurité. Si les dispositifs de sécurité sont défectueux, parler à votre agent d'entretien Husqvarna.

Pour vérifier le verrouillage de la gâchette de l'accélérateur

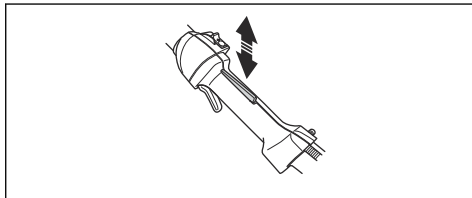
1. Vérifier que le dispositif de verrouillage de la gâchette d'accélération et la gâchette d'accélération bougent librement et que le ressort de retour fonctionne correctement.



2. S'assurer que la gâchette de l'accélérateur est verrouillée en position de ralenti lorsque le dispositif de verrouillage de la gâchette de l'accélérateur est relâché.



3. Appuyer sur le dispositif de verrouillage de la gâchette et s'assurer qu'il retourne à sa position initiale lorsqu'on le relâche.



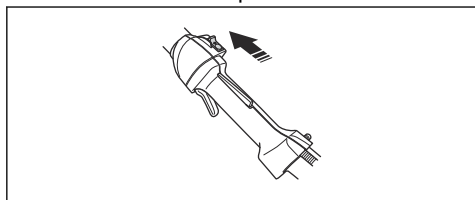
4. Démarrer le produit et le lancer à plein régime. Se reporter à la section *Démarrage du moteur à la page 62.*
5. Relâcher la gâchette de l'accélérateur et s'assurer que la lame s'arrête et s'immobilise.



AVERTISSEMENT : Si les lames tournent lorsque la gâchette d'accélération se trouve à la position de ralenti, régler le régime de ralenti. Se reporter à la section *Réglage du régime de ralenti à la page 67.*

Pour vérifier l'interrupteur d'arrêt

1. Démarrer le moteur.
2. Déplacer l'interrupteur d'arrêt en position d'arrêt et s'assurer que le moteur s'arrête.



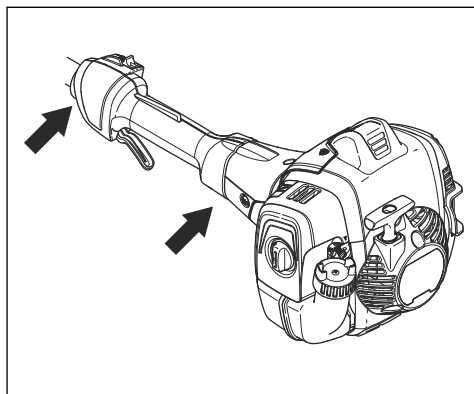
Pour vérifier le système anti-vibrations



AVERTISSEMENT : L'utilisation d'un accessoire de coupe inadéquat augmente le niveau de vibrations.

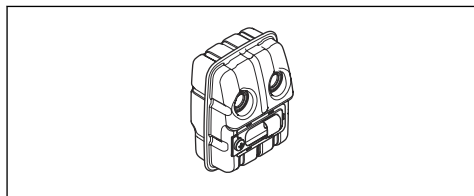
Le système antivibrations réduit les vibrations dans les poignées à un niveau minimal. Le

système antivibrations réduit les vibrations entre l'unité à moteur et l'unité à arbre.



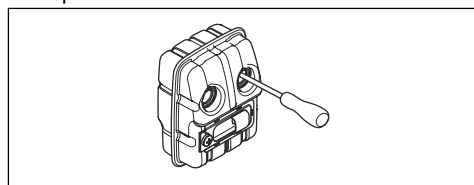
1. Couper le moteur.
2. Effectuer une inspection visuelle pour détecter les déformations et les dommages éventuels, par exemple les fissures.
3. S'assurer que les unités anti-vibrations sont bien fixées.

Pour vérifier le silencieux

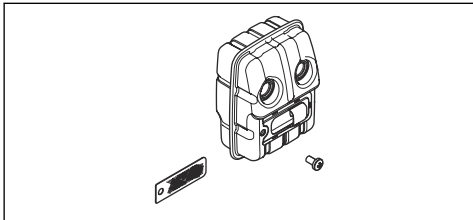


Le silencieux maintient le niveau de bruit au minimum et dirige les gaz d'échappement loin de l'utilisateur.

- Effectuer une inspection visuelle pour détecter d'éventuels dommages ou déformation.
- S'assurer que le silencieux est bien fixé sur le produit.



- Si le silencieux de votre produit est doté d'un écran pare-étincelles, effectuer une inspection visuelle. Si l'écran pare-étincelles est endommagé, le remplacer.
 - a) Si l'écran pare-étincelles est bloqué, le nettoyer. Un écran pare-étincelles bloqué engendre une surchauffe du moteur, ce qui lui cause des dommages.
 - b) S'assurer que la grille antiflamme est fixée correctement.



Pour vérifier les lames

1. Arrêter le moteur et s'assurer que les lames s'arrêtent aussi.
2. Retirer le chapeau de la bougie.
3. Enfiler des gants de protection.
4. S'assurer que les lames ne sont ni endommagées ni pliées. Toujours remplacer une lame endommagée ou tordue.
5. S'assurer que les vis des lames sont bien serrées.

Pour effectuer une vérification du pignon conique et de la boîte de vitesses



AVERTISSEMENT : Pour éviter les brûlures, laisser le produit refroidir avant de toucher le pignon conique et la boîte de vitesses.

- Effectuer une inspection visuelle pour détecter d'éventuels dommages ou déformation.

Sécurité – carburant



AVERTISSEMENT : Lire les messages d'avertissement qui suivent avant d'utiliser l'outil.

- Ne pas mélanger le carburant à l'intérieur ou à proximité d'une source de chaleur.
- Ne pas démarrer l'outil s'il y a du carburant ou de l'huile moteur sur l'outil. Nettoyer le carburant ou l'huile et laisser sécher l'outil. Nettoyer tout carburant qui souille l'outil.
- Si du carburant se déverse sur les vêtements, changer immédiatement de vêtement.
- Ne pas déverser du carburant sur le corps; cela pourrait causer des blessures. Si du carburant se déverse sur le corps, se nettoyer au savon doux et à l'eau.
- Ne pas démarrer le moteur si de l'huile ou du carburant se renverse sur l'outil ou sur le corps.
- Ne pas démarrer l'outil si le moteur présente une fuite. Vérifier régulièrement le moteur à la recherche de fuites.
- Faire preuve de prudence lors de la manipulation du carburant. Celui-ci est inflammable et ses vapeurs sont explosives et peuvent causer des blessures ou la mort.
- Ne pas respirer les vapeurs de carburant, car elles peuvent causer des blessures. S'assurer que la ventilation est suffisante.
- Ne pas fumer à proximité du carburant ou du moteur.
- Ne pas placer des objets chauds à proximité du carburant ou du moteur.
- Ne pas faire le plein de carburant lorsque le moteur tourne.
- Vérifier que le moteur est froid avant de faire le plein.
- Avant de faire le plein, ouvrir lentement le couvercle du réservoir de carburant et relâcher la pression avec précaution.
- S'assurer que le débit d'air est suffisant lors du ravitaillement et du mélange de carburant (essence et huile deux temps) ou lors de la vidange du réservoir de carburant.
- Le carburant et les vapeurs de carburant sont extrêmement inflammables et peuvent causer des blessures très graves en cas d'inhalation ou de contact avec la peau. Pour cette raison, faire preuve de prudence

lors de la manipulation du carburant et s'assurer que le débit d'air est suffisant.

- Serrer le couvercle du réservoir de carburant avec précaution, car un feu pourrait se déclencher.
- Avant de démarrer l'outil, le déplacer à au moins 3 m (10 pi) de la position où le plein de carburant a été fait.
- Ne pas mettre trop de carburant dans le réservoir de carburant.
- Vérifier qu'une fuite ne peut se produire lorsqu'on déplace l'outil ou le bidon d'essence.
- Ne pas placer l'outil ou un bidon d'essence dans un espace où il y a une flamme nue, des étincelles ou une veilleuse. Vérifier que la zone de stockage ne contient pas de flamme nue.
- Utiliser seulement des conteneurs agréés pour transporter ou stocker le carburant.
- Vider le réservoir de carburant avant de le remiser pour une période prolongée. Toujours respecter la législation locale sur la façon de mettre le carburant au rebut.
- Nettoyer l'outil avant de le remiser pour une période prolongée.
- Débrancher le chapeau de bougie avant de remiser le produit, pour que le moteur ne démarre pas par inadvertance.

Consignes de sécurité pour la maintenance



AVERTISSEMENT : Lire les messages d'avertissement qui suivent avant d'utiliser l'outil.

- Arrêter le moteur et s'assurer que l'unité de coupe s'arrête aussi. Laisser le produit refroidir avant de procéder à l'entretien.
- Débrancher la bougie d'allumage avant de procéder à l'entretien.
- Les gaz d'échappement du moteur contiennent du monoxyde de carbone, un gaz inodore, toxique et très dangereux qui peut causer la mort. Ne pas démarrer le produit à l'intérieur ou dans des espaces fermés.
- Les gaz d'échappement du moteur sont chauds et peuvent contenir des étincelles. Ne pas démarrer l'outil dans un local clos ou à proximité de matériaux inflammables.
- Les accessoires et les modifications apportées au produit qui ne sont pas approuvés par le fabricant peuvent causer des blessures graves, voire mortelles. Ne pas modifier l'outil. Utilisez toujours des accessoires d'origine.
- Si l'entretien n'est pas effectué correctement et régulièrement, le risque de blessures et de dommages à l'outil augmente.
- N'effectuer que les travaux d'entretien recommandés dans ce manuel d'utilisation. Laisser un agent d'entretien agréé Husqvarna effectuer toutes les autres opérations d'entretien.
- Demander régulièrement à un agent d'entretien agréé Husqvarna d'effectuer l'entretien de l'outil.
- Remplacer les pièces endommagées, usées ou brisées.

Montage

Introduction

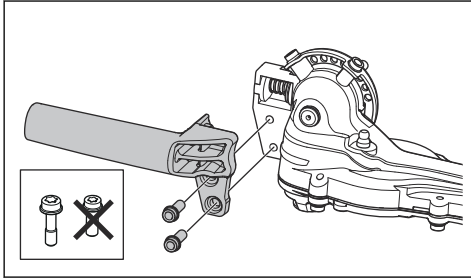
Cette section décrit la procédure à suivre pour monter et régler le produit.



AVERTISSEMENT : Avant de procéder au montage du produit, veuillez lire le chapitre sur la sécurité et les instructions de montage.

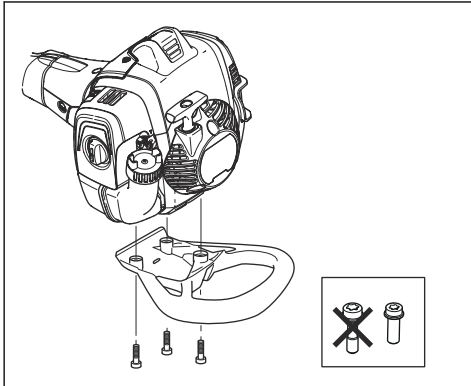
Installation de la poignée

- Installer le guidon à l'aide de 2 vis.



Pour installer la protection antichoc (en option)

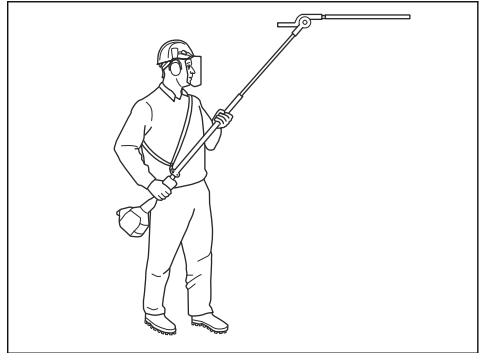
- Installer la protection antichoc à l'aide des trois vis.



Pour régler le harnais (525HE4)

Toujours porter le harnais lors de l'utilisation de la machine. Le harnais assure un contrôle maximal pendant l'utilisation du produit. Le harnais diminue le risque de fatigue corporelle.

1. Enfiler le harnais.
2. Fixer le produit sur le crochet de support du harnais.
3. Régler la longueur du harnais jusqu'à ce que le crochet de support soit à la hauteur de la hanche de l'utilisateur.



Fonctionnement

Introduction



AVERTISSEMENT : Avant d'utiliser le produit, lire et bien comprendre le chapitre sur la sécurité.

Avant d'utiliser le produit

- Examiner la zone de travail et retirer tout objet libre.
- Vérifier l'unité de coupe. Se reporter à la section *Pour examiner les lames à la page 70.*

- S'assurer que les dispositifs de sécurité du produit fonctionnent correctement. Ne pas utiliser le produit sans que tous les dispositifs de sécurité n'y soient bien installés.
- S'assurer que toutes les vis et tous les écrous sont bien serrés.
- Avant de démarrer le produit, s'assurer que tous les couvercles sont bien fixés et qu'ils ne sont pas endommagés.
- S'assurer que l'unité de coupe s'immobilise lorsque le moteur tourne au ralenti.

Carburant

Cet outil est équipé d'un moteur à deux-temps.



MISE EN GARDE : Un type de carburant inapproprié peut endommager le moteur. Utiliser un mélange d'essence et d'huile pour moteur à deux-temps.

Carburant prémélangé

- Utiliser du carburant alkylat prémélangé Husqvarna, pour atteindre une performance optimale et un prolonger la durée de vie du moteur. Ce carburant contient moins de substances chimiques nocives par rapport à un carburant régulier, ce qui réduit les gaz d'échappement nocifs. La quantité de dépôts après combustion est inférieure avec ce carburant, ce qui maintient les composants du moteur plus propres.

Pour mélanger le carburant

Essence

- Utiliser de l'essence sans plomb de bonne qualité contenant au maximum 10 % d'éthanol.



MISE EN GARDE : Ne pas utiliser d'essence à indice d'octane inférieur à 90 RON (87 AKI). L'utilisation d'un indice d'octane inférieur peut entraîner le cognement du moteur, ce qui provoque des dommages au moteur.

Huile à moteur deux temps

- Pour obtenir un meilleur résultat et un fonctionnement optimal, utiliser l'huile pour moteur à deux-temps Husqvarna.
- Si l'huile pour moteur à deux temps Husqvarna n'est pas disponible, utiliser une huile pour moteur à deux temps de bonne qualité destinée aux moteurs refroidis à l'air. Communiquer avec votre centre de

services pour sélectionner l'huile appropriée.



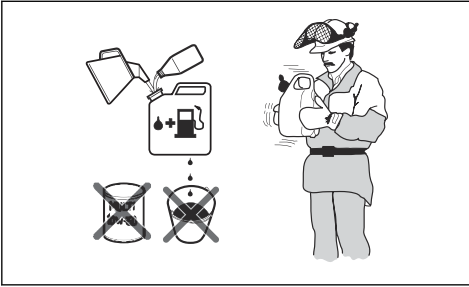
MISE EN GARDE : Ne pas utiliser l'huile pour moteur à deux temps dans des moteurs hors-bord refroidis à l'eau, également appelée huile pour moteur hors-bord. Ne pas utiliser l'huile pour des moteurs à quatre temps.

Pour mélanger l'essence et l'huile pour moteur à deux temps

| Essence, litre | Huile pour moteur à deux temps, litre |
|----------------|---------------------------------------|
| | 2 % (50:1) |
| 5 | 0,10 |
| 10 | 0,20 |
| 15 | 0,30 |
| 20 | 0,40 |
| gallon US | once liquide US |
| 1 | 2 ½ |
| 2 1/2 | 6 ½ |
| 5 | 12 ¾ |



MISE EN GARDE : De petites erreurs peuvent influencer considérablement le ratio de mélange lors du mélange de petites quantités de carburant. Mesurer soigneusement la quantité d'huile et s'assurer d'obtenir le mélange approprié.



1. Remplir la moitié de la quantité d'essence dans un récipient propre destiné à contenir du carburant.
2. Ajouter la quantité totale d'huile.
3. Agiter le mélange de carburant.
4. Ajouter la quantité restante d'essence dans un récipient.
5. Agiter avec précaution le mélange de carburant.



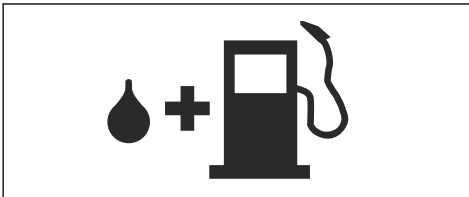
MISE EN GARDE : Ne pas mélanger le carburant pendant plus de 1 mois à la fois.

Remplissage du réservoir de carburant



AVERTISSEMENT : Respecter la procédure suivante pour assurer la sécurité.

1. Couper le moteur et le laisser refroidir.
2. Nettoyer la zone autour du bouchon du réservoir de carburant.



3. Secouer le bidon et s'assurer que le carburant est complètement mélangé.
4. Retirer le bouchon du réservoir de carburant lentement pour libérer la pression.
5. Remplir le réservoir de carburant.



MISE EN GARDE : S'assurer qu'il n'y a pas trop de carburant dans le réservoir. Le carburant se dilate lorsqu'il devient chaud.

6. Serrer fermement le bouchon du réservoir de carburant.
7. Nettoyer le déversement de carburant sur le produit et autour de celui-ci.
8. Éloigner le produit de 3 m (10 pi) ou plus de la zone de remplissage et de la source de carburant avant de démarrer.

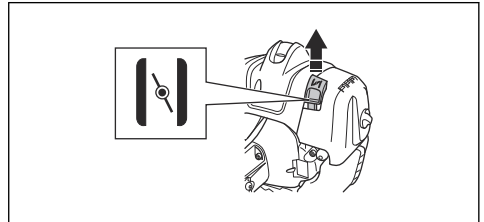
Remarque : Pour connaître l'emplacement du réservoir de carburant sur votre machine, se reporter à *Présentation du produit à la page 51*.

Démarrage du moteur

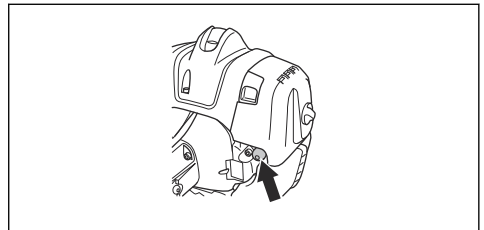


AVERTISSEMENT : Tenir les personnes et les animaux à une distance minimale de 15 m/50 pi lors du démarrage du produit. Il y a un risque que l'outil de coupe se mette à bouger.

1. Mettre le starter à la position du starter.

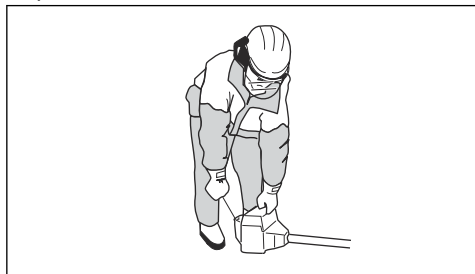


2. Appuyer sur la pompe de purge d'air jusqu'à ce que la pompe commence à faire le plein de carburant.



Remarque : Il n'est pas nécessaire de remplir entièrement la poire de purge d'air.

- Maintenir l'outil sur le sol à l'aide de la main gauche. Ne pas poser les pieds sur le produit.



- Tirer lentement la poignée du câble du lanceur jusqu'à rencontrer une résistance, tirer ensuite la poignée du câble du lanceur avec force.



AVERTISSEMENT : Ne pas enrouler la corde du lanceur autour de la main.

- Continuer de tirer sur la poignée du câble du lanceur jusqu'à ce que le moteur démarre.

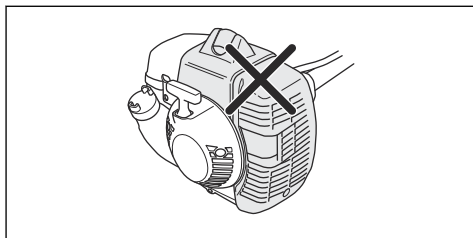


MISE EN GARDE : Ne pas tirer complètement le câble du lanceur et ne pas lâcher la poignée du câble du lanceur. Relâcher lentement la corde de démarreur pour éviter les dommages au produit.

- Quand le moteur démarre, placer le starter en position de marche et faire tourner le moteur à plein régime. La gâchette d'accélération se désengage automatiquement de la position de départ.
- S'assurer que le moteur tourne de façon régulière.

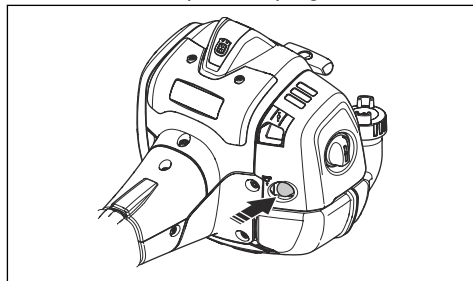


AVERTISSEMENT : Afin d'éviter les chocs électriques, ne pas utiliser le produit si le capuchon de bougie est endommagé.



Pour préparer un moteur chaud pour le démarrage

- Appuyer à plusieurs reprises sur la poire de la pompe à carburant jusqu'à ce que le carburant commence à remplir la poire. Il n'est pas nécessaire de remplir entièrement la poire de purge d'air.



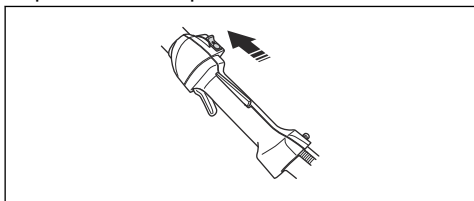
- Tirer sur la poignée du câble du lanceur jusqu'à ce que le moteur démarre. Appuyer doucement sur la gâchette d'accélération pour augmenter le régime graduellement.



MISE EN GARDE : Ne pas tirer le câble du lanceur jusqu'à la position de fin de course. Ne pas lâcher la poignée du câble du lanceur lorsque le câble du lanceur est entièrement déployé. Cela pourrait endommager le produit.

Arrêt de l'appareil

1. Déplacer l'interrupteur d'arrêt dans la position d'arrêt pour arrêter le moteur.

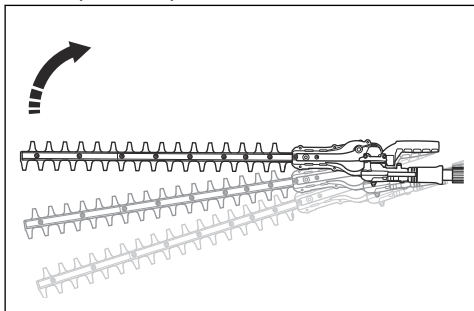


MISE EN GARDE :

L'interrupteur revient automatiquement à sa position initiale. Afin d'éviter tout démarrage accidentel, toujours retirer le capuchon de bougie d'allumage de la bougie d'allumage lors du montage, de la vérification ou de l'entretien.

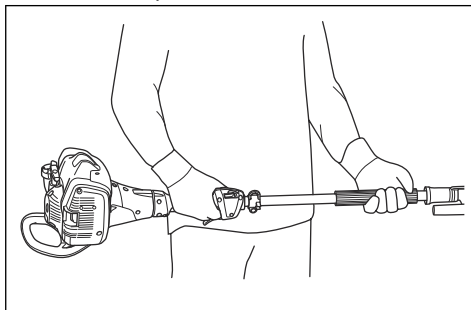
Utilisation de la machine

- Démarrer à proximité du sol et déplacer le produit en même temps le long de la haie lorsqu'on coupe les côtés.



- S'assurer que le moteur ne touche pas la haie.

- Tenir le produit à proximité du corps pour obtenir une position de travail stable.



- S'assurer que l'unité de coupe ne touche pas le sol.
- Faire preuve de prudence et travailler lentement jusqu'à ce que toutes les branches soient correctement coupées.

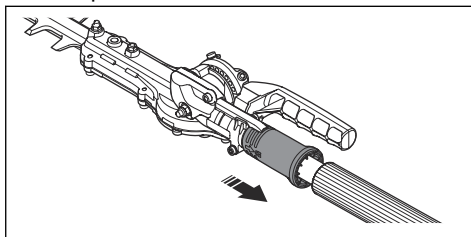
Pour régler l'angle de l'unité de coupe

L'unité de coupe peut être réglée à dix positions différentes.



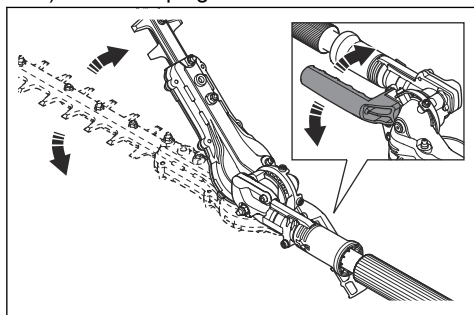
AVERTISSEMENT : Ne pas actionner l'unité de coupe lors du réglage de l'angle.

1. Laisser le moteur tourner au ralenti et s'assurer que l'unité de coupe ne bouge pas.
2. Tirez vers le bas sur la poignée de réglage de la position.

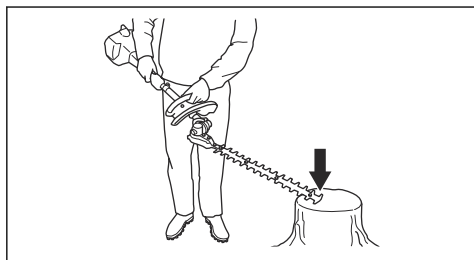


3. Incliner l'unité de coupe dans la position correcte. Utiliser l'une des procédures suivantes.

a) Utiliser la poignée.



b) Pousser l'extrémité de l'unité de coupe contre une surface stable.



4. Relâcher la poignée de réglage de la position pour verrouiller l'unité de coupe.
5. Pousser l'unité de coupe contre la haie pour s'assurer qu'elle est verrouillée.

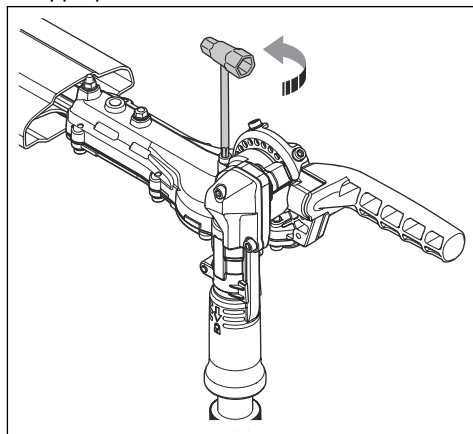
Pour régler le frottement à des fins de réglage de l'angle



AVERTISSEMENT : Ne pas actionner l'unité de coupe lors du réglage du frottement.

1. Appuyer sur l'interrupteur d'arrêt pour éteindre le produit.
2. Installer la protection de transport sur l'unité de coupe.
3. Tirez vers le bas sur la poignée de réglage de la position.

4. Incliner l'unité de coupe dans la position appropriée.



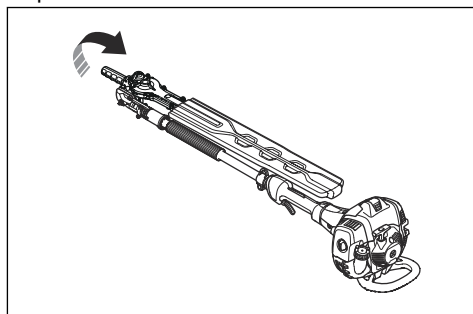
5. Tourner la vis pour régler le frottement.
6. Régler l'unité de coupe dans différentes positions pour essayer le frottement.

Pour régler l'outil en position de transport



AVERTISSEMENT : Ne pas démarrer le produit lorsqu'il est en position de transport.

1. Appuyer sur l'interrupteur d'arrêt pour éteindre le produit.
2. Installer la protection de transport sur l'unité de coupe.
3. Tirez vers le bas sur la poignée de réglage de la position.
4. Plier l'unité de coupe pour la rendre parallèle à l'arbre.



Entretien

Introduction

sécurité avant de faire l'entretien du produit.



AVERTISSEMENT : Lire et comprendre le chapitre sur la

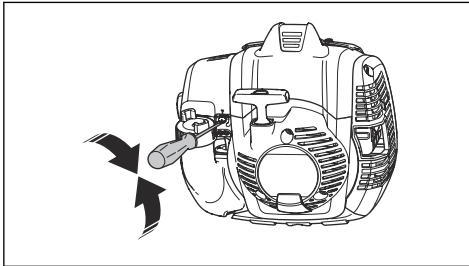
Calendrier d'entretien

| Entretien | Quotidien | Hebdomadaire | Mensuel |
|---|--------------------------|--------------|---------|
| Nettoyer la surface externe. | Après chaque utilisation | | |
| Nettoyer le silencieux, le tuyau d'échappement et le moteur pour retirer les feuilles, la saleté et les traces de lubrifiant. | Après chaque utilisation | | |
| S'assurer que l'unité de coupe ne tourne pas au régime de ralenti. | X | | |
| Vérifier l'interrupteur d'arrêt. | X | | |
| Vérifier l'unité de coupe pour détecter d'éventuels dommages et fissures. Le remplacer s'il est endommagé. | X | | |
| Vérifier le dispositif de verrouillage de la gâchette d'accélération et la gâchette. | X | | |
| Examiner le moteur, le réservoir de carburant et les conduites de carburant pour détecter d'éventuelles fuites. | X | | |
| Serrer les écrous et les vis. | X | | |
| Examiner le filtre à carburant pour voir s'il y a une contamination et le tuyau à carburant pour voir s'il y a des fissures et d'autres défauts. Remplacer au besoin. | X | | |
| Examiner le lanceur et la corde du lanceur pour détecter d'éventuels dommages. | | X | |
| Nettoyer le filtre à air. Les remplacer au besoin. | | X | |
| Examiner les éléments antivibrations pour s'assurer qu'ils ne présentent pas de dommages ou de fissures. | | X | |
| Vérifier la bougie d'allumage, se reporter à <i>Données techniques à la page 72</i> . | | X | |
| Nettoyer le système de refroidissement. | | X | |
| Nettoyer la surface externe du carburateur et ses zones adjacentes. | | X | |
| Nettoyer ou remplacer le filet pare-étincelles. | | | X |

| Entretien | Quoti- dien | Hebdo- madaire | Men- suel |
|--|----------------|-------------------|--------------|
| Nettoyer les surfaces intérieures du réservoir de carburant. | | | X |
| Vérifier que la boîte de vitesses est remplie de graisse. | | | X |

Réglage du régime de ralenti

1. Nettoyer le filtre à air et poser le couvercle du filtre à air.
2. Démarrer l'outil. Se reporter à la section *Démarrage du moteur à la page 62*.
3. Tourner la vis de réglage de ralenti dans le sens horaire jusqu'à ce que l'unité de coupe commence à tourner.



4. Tourner la vis de réglage de ralenti dans le sens antihoraire jusqu'à ce que l'unité de coupe s'arrête.



AVERTISSEMENT : Si l'unité de coupe ne s'arrête pas lors du réglage du régime de ralenti, communiquer avec le fournisseur de services d'entretien le plus proche. Ne pas utiliser le produit avant qu'il ne soit réglé ou réparé correctement.

Remarque : Le régime de ralenti est adéquat lorsque le moteur fonctionne sans à-coups dans toutes les positions. Se reporter à la section *Données techniques à la page 72* pour obtenir le régime de ralenti recommandé.

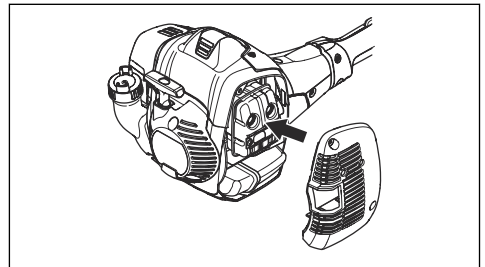
Pour entretenir le silencieux

Le silencieux réduit le niveau de bruit et dirige les gaz d'échappement loin de l'utilisateur.

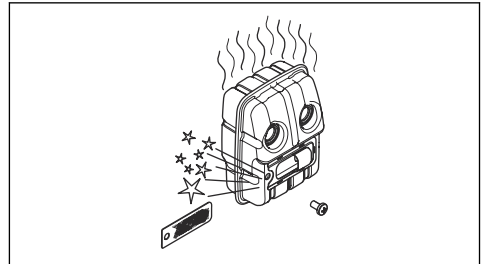


AVERTISSEMENT : Les silencieux qui disposent de pots catalytiques deviennent très chauds pendant le fonctionnement et restent chauds pendant un certain temps après l'arrêt du produit. C'est également le cas lorsque le moteur tourne au ralenti. Le contact avec le produit peut causer des brûlures de la peau. Penser au risque d'incendie.

1. Arrêter l'outil et le laisser refroidir.
2. Retirer le capot du silencieux.



3. Retirer la vis qui maintient le pare-étincelles.



4. Nettoyer le pare-étincelles s'il est bloqué ou le remplacer s'il est endommagé.



MISE EN GARDE : Remplacer la maille pare-étincelles si elle est endommagée. Ne pas utiliser un produit si la maille pare-étincelles du silencieux est manquante ou défectueuse.



MISE EN GARDE : Si le filet pare-étincelles est souvent colmaté, cela peut être le signe d'une réduction de la performance du pot catalytique. Se rendre chez le fournisseur de services d'entretien pour examiner le silencieux. Un filet pare-étincelles colmaté provoque une surchauffe et une détérioration du cylindre et du piston.

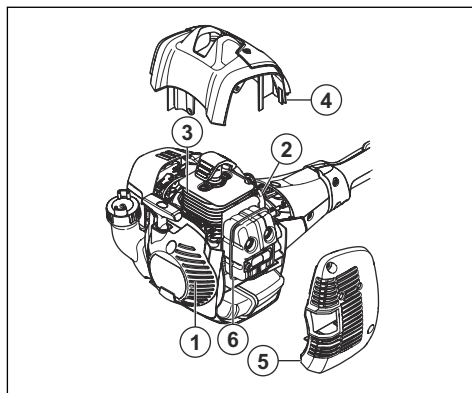
Système de refroidissement

Le produit dispose d'un système de refroidissement pour maintenir la température de fonctionnement aussi basse que possible.

Nettoyer les composants du système de refroidissement au moyen d'une brosse une fois par semaine ou plus fréquemment en cas d'utilisation dans des conditions difficiles. Un système de refroidissement encrassé ou bloqué entraîne une surchauffe excessive susceptible d'endommager le piston et le cylindre.

Le système de refroidissement comporte les éléments suivants :

1. Entrée d'air au démarreur.
2. Ailettes du volant moteur.
3. Ailettes de refroidissement du cylindre
4. Couvercle de cylindre
5. Capot du silencieux.
6. Plaque du silencieux.

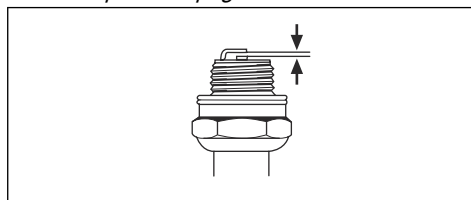


Pour vérifier la bougie d'allumage



MISE EN GARDE : Utiliser la bougie recommandée. Se reporter à la section *Données techniques à la page 72*. Une bougie inadéquate peut endommager l'outil.

1. Si le produit n'est pas facile à démarrer ou à faire fonctionner ou s'il fonctionne mal au régime de ralenti, examiner la bougie d'allumage pour détecter d'éventuels matériaux indésirables. Afin de réduire le risque de matériau indésirable sur les électrodes de la bougie d'allumage, effectuer les étapes suivantes :
 - a) Vérifier que le régime de ralenti est réglé de façon adéquate.
 - b) Vérifier que le mélange de carburant est correct.
 - c) Vérifier que le filtre à air est propre.
2. Nettoyer la bougie si elle est sale.
3. Vérifier que l'écartement des électrodes est correct. Se reporter à la section *Données techniques à la page 72*.



4. Remplacer la bougie d'allumage une fois par mois ou plus fréquemment, au besoin.

Nettoyage du filtre à air

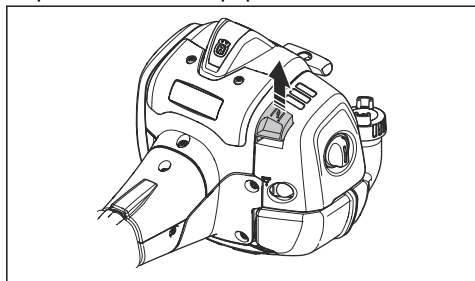


MISE EN GARDE : Il faut toujours remplacer un filtre à air endommagé, très sale ou imbibé de carburant.

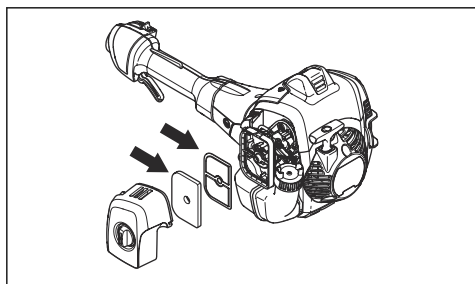
Éliminer régulièrement la saleté et la poussière du filtre à air. Ceci permet d'éviter un mauvais fonctionnement du carburateur, des problèmes de démarrage, une perte de puissance du moteur, une usure des pièces du moteur et une consommation de carburant plus que d'habitude.

Un filtre à air ne peut plus être complètement nettoyé s'il a été utilisé pendant une longue période. Remplacer le filtre à air par un filtre neuf à des intervalles réguliers. Se reporter à la section *Calendrier d'entretien* à la page 66.

1. Déplacer le levier de starter vers le haut pour fermer la soupape du starter.



2. Retirer le couvercle du filtre à air et les filtres à air.



3. Nettoyer les filtres à air à l'eau chaude savonneuse.
4. Remplacer les filtres à air s'ils ne peuvent pas être complètement nettoyés. Toujours remplacer les filtres à air endommagés.

5. Nettoyer la surface intérieure du couvercle du filtre à air. Utiliser de l'air comprimé ou une brosse.
6. Vérifier le joint d'étanchéité en caoutchouc du filtre à air. Remplacer le filtre à air si le joint d'étanchéité en caoutchouc est endommagé.
7. Vérifier que le filtre à air est sec avant de l'installer.

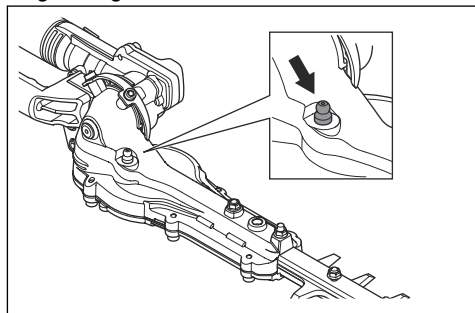
Pour lubrifier le pignon conique et la boîte de vitesses



AVERTISSEMENT : Pour éviter les brûlures, laisser le produit refroidir avant de toucher le pignon conique et la boîte de vitesses.

Remarque : Les nouveaux produits sont d'abord remplis de graisse après environ 20 heures de fonctionnement.

- Utiliser de la graisse spéciale Husqvarna. Pour obtenir de plus amples renseignements, communiquer avec votre centre de services.
- Ajouter de la graisse par le raccord de graissage.



MISE EN GARDE : Ne pas remplir complètement la boîte de vitesses.

Pour nettoyer et lubrifier les lames

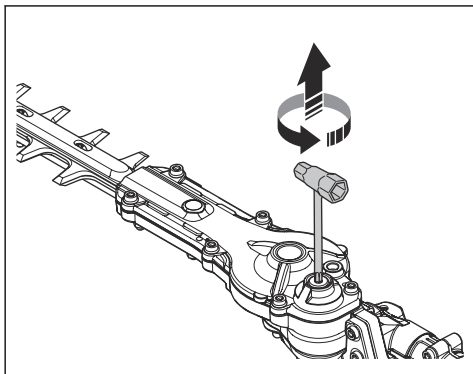
1. Nettoyer les lames de tout matériau indésirable avant et après l'utilisation du produit.

2. Lubrifier les lames avant une longue période de remisage.

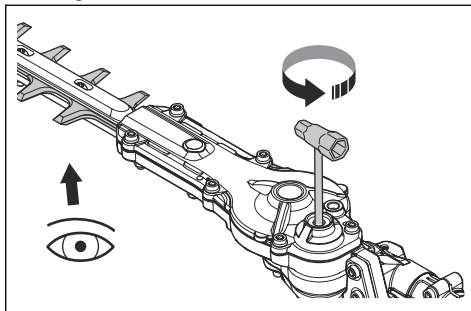
Remarque : Pour obtenir de plus amples renseignements sur les lubrifiants et les produits de nettoyage recommandés, communiquer avec votre centre de services.

Pour examiner les lames

1. Retirer la vis de la boîte de vitesses.



2. Placer la clé à usages multiples dans la boîte de vitesses et la tourner dans le sens des aiguilles d'une montre, puis dans le sens inverse. Vérifier que les lames bougent librement.



3. Examiner les bords des lames à la recherche de dommages et de déformation.
4. Retirer les bavures sur les lames à l'aide d'une lime.
5. Effectuer l'installation dans l'ordre inverse.

Dépannage

Dépannage

| Le moteur ne démarre pas. | | |
|------------------------------|--|--|
| Problème | Cause possible | Étape recommandée |
| Cliquets de lanceur à rappel | Les cliquets de lanceur à rappel ne peuvent se déplacer librement. | Régler ou remplacer les cliquets du lanceur. |
| | | Nettoyer alentour des cliquets de démarrage. |
| | | Communiquer avec un fournisseur de services d'entretien agréé. |
| Réservoir de carburant | Type de carburant inapproprié. | Vidanger et utiliser le carburant approprié. |
| Carburateur | Ralenti du moteur inadéquat | Régler le régime de ralenti. |

| Le moteur ne démarre pas. | | |
|----------------------------------|--|---|
| Problème | Cause possible | Étape recommandée |
| Aucune étincelle | La bougie d'allumage est sale ou humide. | S'assurer que la bougie est propre et sèche. |
| | Distance entre les électrodes inadéquate | Nettoyer la bougie d'allumage. S'assurer que la distance entre les électrodes de la bougie est adéquate. S'assurer que la bougie est installée avec un suppresseur. |
| | | Se reporter à la section # pour connaître la distance adéquate entre les électrodes. |
| Bougie d'allumage | La bougie d'allumage est desserrée. | Serrer la bougie d'allumage. |

| Le moteur démarre mais s'arrête à nouveau | | |
|--|--------------------------------|---|
| Problème | Cause possible | Étape recommandée |
| Réservoir de carburant | Type de carburant inapproprié. | Vidanger et utiliser le carburant approprié. |
| Carburateur | Ralenti du moteur inadéquat | Régler le régime de ralenti. Se reporter à la section <i>Réglage du régime de ralenti à la page 67</i> . Communiquer avec votre centre de services si nécessaire. |
| Filtre à air | Filtre à air bouché. | Nettoyer le filtre à air. |

| Lame | | |
|--|---|--|
| Problème | Causes possibles | Étape recommandée |
| La lame tourne lentement ou pas du tout. | La lame est bloquée ou endommagée. | Dégager les lames de tout matériau indésirable. Se reporter à la section <i>Pour nettoyer et lubrifier les lames à la page 69</i> . Éliminer les bavures de la lame, se reporter à <i>Pour examiner les lames à la page 70</i> Remplacer la lame si elle est endommagée. |
| La lame ne coupe pas facilement. | La lame n'est pas assez aiguisée ou est endommagée. | Aiguiser la lame, se reporter à <i>Pour examiner les lames à la page 70</i> Remplacer la lame si elle est endommagée. |

| Lame | | |
|------------------------------|------------------------------------|--|
| Problème | Causes possibles | Étape recommandée |
| La lame devient très chaude. | Il y a frottement entre les lames. | Éliminer les bavures et lubrifier la lame. Se reporter à la section <i>Pour examiner les lames à la page 70.</i> |

Transport, entreposage et mise au rebut

Transport et entreposage

- Toujours laisser l'appareil refroidir avant de l'entreposer.
- Pour le stockage et le transport du produit et du carburant, s'assurer qu'il n'y a pas de fuite ou de vapeur. Les étincelles ou les flammes nues, par exemple avec des appareils électriques ou des chaudières, peuvent déclencher un incendie.
- Utiliser toujours des contenants agréés pour entreposer ou transporter le carburant.
- Vider les réservoirs de carburant avant tout transport ou remisage pendant une période prolongée. Mettre au rebut le carburant à un emplacement de mise au rebut adéquat.
- Fixer la protection de transport pendant le transport et le stockage.
- Retirer le chapeau de la bougie.
- Fixer le produit pendant le transport. S'assurer qu'il ne puisse pas bouger.
- Nettoyer et entretenir le produit avant de le remettre pour une période prolongée.

Données techniques

Données techniques

| | 525HE3 | 525HE4 |
|--|-----------------|-----------------|
| Moteur | | |
| Cylindrée, po ³ / cm ³ | 1,55/25,4 | 1,55/25,4 |
| Régime de ralenti, tr/min | 2 800 à 3 200 | 2 800 à 3 200 |
| Régime maximal recommandé, tr/min | 11000-12000 | 11000-12000 |
| Puissance max. du moteur, conformément à la norme ISO 8893, kW/hp à tr/min | 1.0/1.3@8500 | 1.0/1.3@8500 |
| Silencieux du pot catalytique | Oui | Oui |
| Système d'allumage | | |
| Bougie d'allumage | Husqvarna HQT-2 | Husqvarna HQT-2 |
| Écartement des électrodes, po/mm | 0,026/0,65 | 0,026/0,65 |
| Circuits d'alimentation et de lubrification | | |
| Capacité du réservoir de carburant, pte US / L | 1,06/0,5 | 1,06/0,5 |

| | 525HE3 | 525HE4 |
|--------------------------------|------------------|------------------|
| Poids | | |
| Poids, lb/kg | 13/5,9 | 13,9/6,3 |
| Lames | | |
| Type | Double tranchant | Double tranchant |
| Longueur de coupe, mm/po | 23,6/600 | 23,6/600 |
| Vitesse de découpe, coupes/min | 4 400 | 4 400 |

DÉCLARATION DE GARANTIE DU SYSTÈME DE CONTRÔLE DES ÉMISSIONS D'ÉCHAPPEMENT ET D'ÉVAPORATION CONFORME AUX EXIGENCES LÉGALES DES ÉTATS-UNIS, DE LA CALIFORNIE ET DU CANADA

VOS DROITS ET OBLIGATIONS EN VERTU DE LA GARANTIE

Le California Air Resources Board (CARB), l'U.S. Environmental Protection Agency (EPA), Environnement et Changement climatique Canada et Husqvarna Professional Products, Inc. vous présentent la garantie du système de contrôle des émissions d'échappement et d'évaporation (les « émissions ») qui protège votre petit moteur hors route 2019-2020*. En Californie, l'équipement neuf équipé d'un petit moteur hors-route doit être conçu, fabriqué et équipé de manière à répondre aux strictes normes antipollution de l'État. Husqvarna Professional Products, Inc. doit garantir les systèmes de contrôle des émissions de votre petit moteur hors route pendant les périodes figurant sur la liste ci-dessous à condition que votre petit moteur hors route ou tout autre équipement ne présente aucun signe d'abus, de négligence ou d'entretien inapproprié menant à la défaillance du système de contrôle des émissions. Votre système de contrôle des émissions peut comprendre différentes pièces comme un carburateur, un système d'injection de carburant, un système d'allumage, un pot catalytique, des réservoirs de carburant, des conduites de carburant (pour le carburant liquide et les vapeurs de carburant), des bouchons de réservoir de carburant, des soupapes, des réservoirs à charbon actif, des filtres, des colliers et d'autres composants associés. Il peut aussi comprendre des flexibles, de courroies, des raccords et d'autres pièces liées aux émissions. En cas de problème couvert par la garantie, Husqvarna Professional Products, Inc. répare votre petit moteur hors route sans

frais, diagnostic, pièces et main-d'œuvre compris.

COUVERTURE DE LA GARANTIE DU FABRICANT

Le système de contrôle des émissions d'échappement et d'évaporation pour petit moteur hors route est garanti deux ans. Si une pièce de votre petit moteur hors route liée aux émissions est défectueuse, elle doit alors être réparée ou remplacée par Husqvarna Professional Products, Inc..

RESPONSABILITÉS DU PROPRIÉTAIRE EN VERTU DE LA GARANTIE

- À titre de propriétaire d'un petit moteur hors route, vous êtes tenu d'effectuer l'entretien obligatoire indiqué dans le manuel de l'utilisateur. Husqvarna Professional Products, Inc. vous recommande de conserver tous les reçus relatifs à l'entretien de votre petit moteur hors route, mais Husqvarna Professional Products, Inc. ne peut pas refuser l'application de la garantie pour la seule raison de l'absence de reçus ou du non-respect du calendrier de maintenance.
- En tant que propriétaire d'un petit moteur hors route, vous devez savoir que Husqvarna Professional Products, Inc. peut vous refuser la couverture de la garantie si votre petit moteur hors route ou une pièce est défaillant en raison d'un abus, de négligence, d'un entretien inapproprié ou de modifications non approuvées.
- Vous devez présenter votre petit moteur hors route à un centre de réparation Husqvarna Professional Products, Inc. agréé dès que le problème se manifeste. Les réparations couvertes par la garantie seront effectuées dans un délai raisonnable qui n'excédera pas 30 jours. Pour toute question relative à vos droits et responsabilités relativement à votre garantie, communiquer avec Husqvarna Professional Products, Inc. au CANADA au 1-800-805-5523 ou aux ÉTATS-UNIS au 1-800-487-5951, ou alors envoyer un

courriel à l'adresse
emissions@husqvarnagroup.com ou
warranty@hpp-emissions.com.

DATE D'ENTRÉE EN VIGUEUR DE LA GARANTIE

La période de garantie commence à la date à laquelle le moteur ou le matériel est livré à l'acheteur final.

DURÉE DE LA COUVERTURE

Husqvarna Professional Products, Inc. garantit au dernier acheteur et à chacun des propriétaires suivants que le petit moteur ou l'équipement hors route a été conçu, construit et équipé dans le respect de toutes les réglementations applicables édictées par l'EPA et le CARB et est exempt de tout défaut matériel ou de fabrication pouvant provoquer la panne d'une pièce garantie pendant une période de deux ans.

ÉLÉMENTS COUVERTS

RÉPARATION OU REMPLACEMENT DES PIÈCES : La réparation ou le remplacement de toute pièce garantie qui est défectueuse sera effectué sans frais dans un centre de services agréé par la marque. À l'exclusion des réparations et des remplacements couverts par la présente garantie, il est possible de choisir un atelier de réparation ou toute autre personne pour entretenir, remplacer ou réparer les dispositifs et systèmes de contrôle des émissions. Cependant, Husqvarna Professional Products, Inc. recommande que toutes les opérations d'entretien, de remplacement et de réparation des dispositifs et systèmes de contrôle des émissions soient effectuées dans un centre de services agréé par la marque.

IMPORTANT : Le présent produit est conforme à la réglementation de la Phase 3 de l'Environmental Protection Agency (EPA) des États-Unis en ce qui concerne les émissions d'échappement et d'évaporation. Afin de garantir le respect des règlements de l'EPA Phase 3 des États-Unis, du California Air Resources Board et d'Environnement et Changement climatique Canada, nous recommandons d'utiliser uniquement des

pièces de rechange de la marque du produit d'origine. L'utilisation de pièces de rechange non conformes est une infraction à la législation fédérale et à celle de certains États.

PÉRIODE DE GARANTIE : Toute pièce garantie dont le remplacement n'est pas prévu dans le cadre du programme d'entretien obligatoire ou dont la seule mesure prévue est l'inspection régulière avec « réparation ou remplacement au besoin » est garantie pendant deux ans (ou pendant la durée stipulée dans la garantie du produit, selon la période la plus longue) à compter de sa date d'achat par l'acheteur initial. Toute pièce garantie dont le remplacement est prévu par le calendrier d'entretien obligatoire est garantie pendant la période écoulée jusqu'au premier remplacement prévu de la pièce. Toute pièce réparée ou remplacée en vertu de la garantie est couverte pendant la période de garantie restante.

DIAGNOSTIC : Vous n'avez pas à payer pour le diagnostic permettant de conclure que la pièce garantie est défectueuse, à condition qu'un tel diagnostic soit effectué dans un atelier d'entretien agréé.

AUTRES DOMMAGES : Husqvarna Professional Products, Inc. réparera les autres composants du moteur endommagés par suite de la défaillance d'une pièce sous garantie.

LISTE DES PIÈCES COUVERTES PAR LA GARANTIE DE CONTRÔLE DES ÉMISSIONS

1. Pièces du carburateur et du système d'admission ou système d'injection.
2. Filtre à air et filtre à carburant couverts dans la limite du calendrier d'entretien.
3. Bougies d'allumage couvertes dans la limite du calendrier d'entretien.
4. Module d'allumage.
5. Silencieux avec catalyseur et collecteurs d'échappement.
6. Réservoir de carburant, conduites de carburant (pour le carburant et les vapeurs de carburant), bouchon de réservoir, réservoir à charbon actif, clapet antiretour en cas de retournement et clapets antibalottement si applicable.

7. Commandes électroniques, soupapes et interrupteurs sensibles au vide, à la température et au temps.
8. Flexibles, raccords et ensembles.
9. Tous les autres composants, dont la défaillance augmenterait les émissions d'échappement et d'évaporation d'un polluant quelconque par le moteur, comme énoncé ci-dessous :
 - Pour la Californie, voir le California Code of Regulations, 13 CCR §2405(d) et 2760(d).
 - Pour les États-Unis et le Canada, se reporter au US Federal Code of Regulations, 40 C.F.R 1068 Appendix I (iii).

ÉLÉMENTS NON COUVERTS

Toutes les pannes dues à un abus, à de la négligence, à des modifications non approuvées, à une utilisation ou à un entretien inadéquat ne sont pas couvertes.

PIÈCES COMPLÉMENTAIRES OU MODIFIÉES Aucune pièce complémentaire ou modifiée non affranchie par la CARB ou l'EPA ne peut être utilisée. L'utilisation de pièces complémentaires ou modifiées non exemptées est un motif suffisant pour rejeter une demande d'indemnisation. Husqvarna Professional Products, Inc. n'a pas la responsabilité de garantir les pannes de pièces garanties provoquées par l'utilisation d'une pièce complémentaire ou modifiée non affranchie.

COMMENT PRÉSENTER UNE DEMANDE D'INDEMNISATION

Pour toute question relative à vos droits et responsabilités relativement à la garantie, communiquer avec le centre de services agréé le plus proche, appeler Husqvarna Professional Products, Inc. aux ÉTATS-UNIS au 1-800-487-5951, au CANADA au 1-800-805-5523, ou bien envoyer un courriel à l'adresse emissions@husqvarnagroup.com ou warranty@hpp-emissions.com.

OÙ JOINDRE LE SERVICE DE GARANTIE?

Les services de garantie ou de réparation sont assurés par tous les ateliers d'entretien Husqvarna Professional Products, Inc. agréés. Si le centre de réparation agréé le plus près se trouve à plus de 160 kilomètres de votre emplacement, Husqvarna Professional Products, Inc. arrangerait et paierait la livraison aller-retour vers un centre de réparation agréé par la marque ou arrangerait autrement la prestation du service au titre de la garantie, en conformité avec les règlements applicables.

ENTRETIEN, REMPLACEMENT ET RÉPARATION DES PIÈCES RELATIVES AUX ÉMISSIONS

Toute pièce de remplacement peut être utilisée pour procéder à un entretien ou à une réparation sous garantie et elle sera fournie sans frais pour le propriétaire. Un tel remplacement n'a pas pour effet de réduire les obligations du fabricant relativement à la garantie.

ATTESTATION D'ENTRETIEN

Le propriétaire est tenu de respecter l'entretien obligatoire prévu dans le manuel de l'utilisateur.

* L'année modèle courante et subséquente sera mise à jour annuellement dans la déclaration de garantie fournie au consommateur. Par exemple, 2012-2013 sera spécifié pour l'année modèle 2012.

** Pièces liées aux émissions par évaporation.



www.husqvarna.com

Original instructions
Instrucciones originales
Instructions d'origine
1159664-49



2020-02-11