



Husqvarna®



324L

EN Operator's manual
ES-MX Manual del usuario
FR-CA Manuel d'utilisation

2-22
23-45
46-67

Contents

Introduction.....	2	Troubleshooting.....	18
Safety.....	4	Transportation and storage.....	19
Safety instructions for maintenance.....	10	Technical data.....	19
Assembly.....	10	Accessories.....	20
Operation.....	11	Warranty.....	21
Maintenance.....	14		

Introduction

Product description

The product is a grass trimmer with a combustion engine.

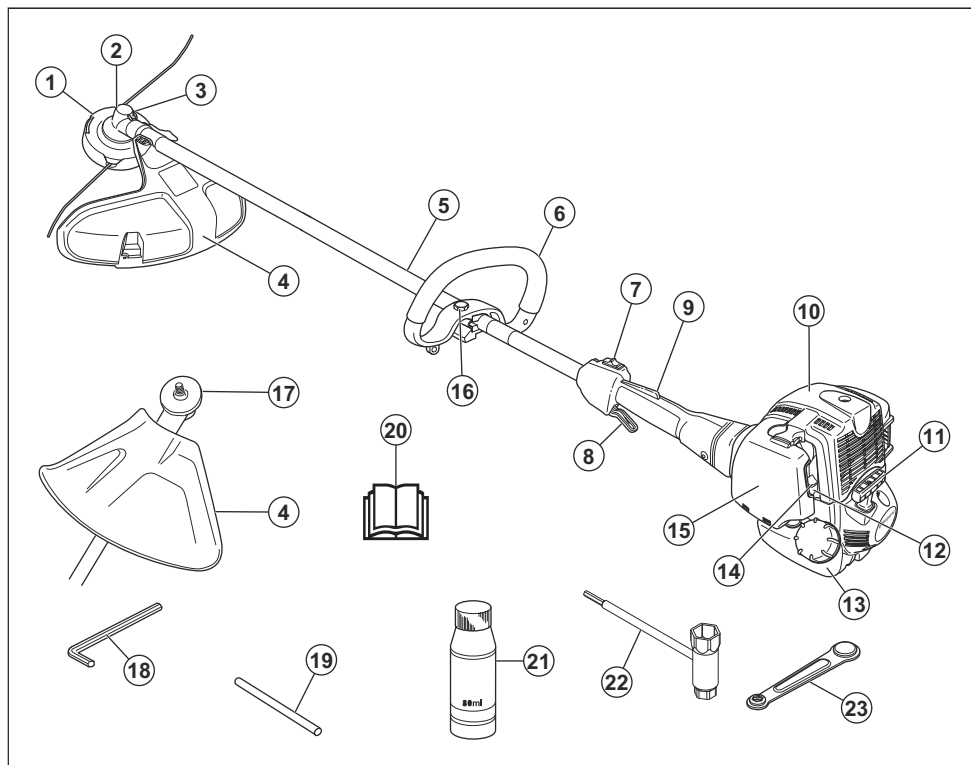
Work is constantly in progress to increase your safety and efficiency during operation. Speak to your servicing dealer for more information.

Intended use

The product is used with a trimmer head to cut grass. Do not use the product for other tasks than grass trimming and grass clearing.

Note: National regulations can set limit to the operation of the product.

Product overview



1. Trimmer head
2. Bevel gear
3. Grease filler cap
4. Cutting attachment guard
5. Shaft
6. Loop Handle
7. Stop switch
8. Throttle trigger
9. Throttle trigger lockout
10. Cylinder cover
11. Starter rope handle
12. Air purge bulb
13. Fuel tank
14. Choke control
15. Air filter cover
16. Handle adjustment
17. Drive disc
18. Hex key
19. Locking pin
20. Operator's manual
21. Oil
22. Combination wrench
23. Wrench

Symbols on the product



Be careful and use the product correctly. This product can cause serious injury or death to the operator or others.



Read the operator's manual carefully and make sure that you understand the instructions before you use this product.



Use a protective helmet in locations where objects can fall on you. Use approved hearing protection. Use approved eye protection.



Use approved protective gloves.



Use heavy-duty slip-resistant boots.



The product can cause objects to eject, which can cause injury.



max rpm Maximum speed of the output shaft.



Keep a minimum of 15 m distance to persons and animals during operation of the product.



Only use flexible cutting wire. Do not use metal cutting equipment for grass trimming.



The arrows show the limit for the handle position.



Air purge bulb.



Choke.



Fuel.

yyyyywwxxxx

The rating plate shows the serial number. **yyyyy** is the production year, **ww** is the production week.

Note: Other symbols/decals on the product refer to certification requirements for some markets.

EPA III



The Emissions Compliance Period referred to on the Emission Compliance label indicates the number of operating hours for which the engine has been shown to meet Federal and California emissions requirements.

California Proposition 65

WARNING!

The engine exhaust from this product contains chemicals known to the State of California to cause cancer, birth defects or other reproductive harm.

Safety

Safety definitions

Warnings, cautions and notes are used to point out specially important parts of the manual.



WARNING: Used if there is a risk of injury or death for the operator or bystanders if the instructions in the manual are not obeyed.



CAUTION: Used if there is a risk of damage to the product, other materials or the adjacent area if the instructions in the manual are not obeyed.

Note: Used to give more information that is necessary in a given situation.

General safety instructions



WARNING: Read the warning instructions that follow before you use the product.

- A clearing saw, brushcutter or trimmer can be dangerous if used carelessly or incorrectly and can cause serious injury or death to the operator or others. It is extremely important that you read and understand the contents of this operator's manual.
- Under no circumstances may the design of the product be modified without the permission of the manufacturer. Never use a product that has been modified in any way from its original specification and always use original accessories. Non-authorized modifications and/or accessories can result in serious personal injury or the death of the operator or others.
- The inside of the muffler contain chemicals that may be carcinogenic. Avoid contact with these elements in the event of a damaged muffler.
- This product produces an electromagnetic field during operation. This field may under some

circumstances interfere with active or passive medical implants. To reduce the risk of serious or fatal injury, we recommend persons with medical implants to consult their physician and the medical implant manufacturer before operating this product.

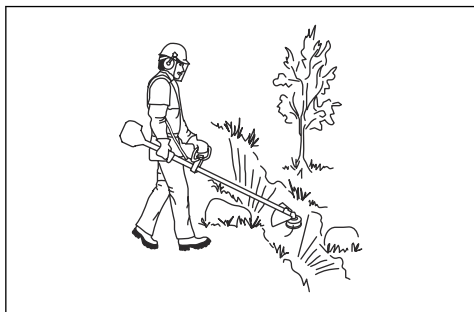
Safety instructions for operation



WARNING: Read the warning instructions that follow before you use the product.

- You must understand the difference between grass clearing and grass trimming before use.
- If you encounter a situation where you are uncertain how to proceed you should ask an expert. Contact your dealer or your service workshop. Avoid all usage which you consider to be beyond your capability.
- Never use a product that is faulty. Carry out the safety checks, maintenance and service instructions described in this manual. Some maintenance and service measures must be carried out by trained and qualified specialists. Refer to *Maintenance on page 14*.
- All covers, guards and handles must be fitted before you start the product. Ensure that the spark plug cap and ignition lead are undamaged to avoid the risk of electric shock.
- Never use the product if you are fatigued, while under the influence of alcohol or drugs, medication or anything that could affect your vision, alertness, coordination or judgement.
- Do not use the product in bad weather such as dense fog, heavy rain, strong wind, intense cold, etcetera. Working in bad weather is tiring and often brings added risks, such as icy ground, unpredictable felling direction, etcetera.
- The only accessories you can operate with this engine unit are the cutting attachments that we recommend. Refer to *Accessories on page 20*.

- Never allow children to use or be in the vicinity of the product. As the product is equipped with a spring-loaded start/stop switch and can be started by low speed and force on the starter handle, even small children under some circumstances can produce the force necessary to start the product. This can mean a risk of serious personal injury. Therefore remove the spark plug cap when the product is not under close supervision.
- Running an engine in a confined or badly ventilated area can result in death due to asphyxiation or carbon monoxide poisoning.
- The complete clutch cover and shaft must be fitted before the product is started, otherwise the clutch can come loose and cause personal injury.
- Ensure that no people or animals come closer than 15 m while you work. When several operators are working in the same area the safety distance should be at least 15 m. Otherwise there is a risk of serious personal injury. Stop the product immediately if anyone approaches. Never swing the product around without first checking behind you to make sure that no one is within the safety zone.
- Ensure that people, animals or other things can not affect your control of the product or that they do not come in contact with the cutting attachment or loose objects that are thrown out by the cutting attachment. However, do not touch the product unless you are able to call for help in the event of an accident.
- Always inspect the working area. Remove all loose objects such as stones, broken glass, nails, steel wire, string, etcetera, that could be thrown out or become wrapped around the cutting attachment.
- Make sure that you can move and stand safely. Check the area around you for possible obstacles (roots, rocks, branches, ditches, etcetera) in case you have to move suddenly. Take great care when you work on sloping ground.
- Never put the product down with the engine running unless you have it in clear sight.
- Stop the engine and cutting equipment before you remove material that has wound around the blade shaft. Neither the operator of the product nor anyone else may attempt to remove the cut material while the engine is running or the cutting equipment is rotating, as this can result in serious injury. The bevel gear can get hot during use and may remain so for a while afterwards. You could get burnt if you touch it.
- Watch out for thrown objects. Always wear approved eye protection. Never lean over the cutting attachment guard. Stones, rubbish, etcetera, can be thrown up into the eyes which can cause blindness or serious injury.
- Sometimes branches or grass get caught between the guard and cutting attachment. Always stop the engine before you clean the product.
- Always slow the engine to idle speed after each working operation. Long periods at full throttle without any load on the engine can lead to serious engine damage.
- Listen out for warning signals or shouts when you wear hearing protection. Always remove your hearing protection as soon as the engine stops.
- Overexposure to vibration can lead to circulatory damage or nerve damage in people who have impaired circulation. Contact your doctor if you experience symptoms of overexposure to vibration. These symptoms include numbness, loss of feeling, tingling, pricking, pain, loss of strength, changes in skin color or condition. These symptoms normally appear in the fingers, hands or wrists.
- Do not use a product with a damaged spark plug cap.
- Do not use a product with a defective muffler.
- Keep all parts of your body away from the rotating cutting attachment and hot surfaces.
- Never use a product with a faulty muffler
- Never start or use the product indoors, near combustible material or in spaces that lacks proper ventilation. The exhaust fumes from the engine contain carbon monoxide, an odorless, poisonous and highly dangerous gas. Also, the exhaust fumes are hot and may contain sparks that can start a fire.



- Keep a good balance and a firm foothold at all times. Do not overreach.
- Always hold the product with both hands. Hold the product on the right side of your body.
- Keep the cutting attachment below waist level.
- Switch off the engine before you move to another area. Fit the transportation guard before you carry or transport the equipment any distance.

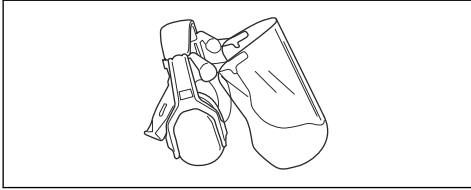
Personal protective equipment



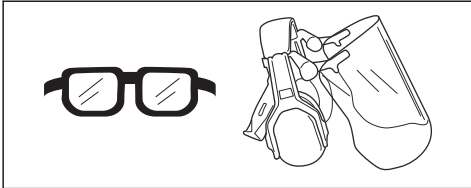
WARNING: Read the warning instructions that follow before you use the product.

- Always use approved personal protective equipment when you use the product. Personal protective equipment cannot fully prevent injury but it decreases the degree of injury if an accident does occur. Let your dealer help you select the right equipment.

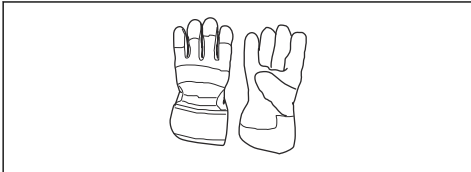
- Use approved hearing protection that provides adequate noise reduction. Long-term exposure to noise can result in permanent hearing impairment.



- Use approved eye protection. If you use a visor, you must also use approved protective goggles. Approved protective goggles must comply with the ANSI Z87.1 standard in the USAs or EN 166 in EU countries.



- Use gloves when necessary, for example when you attach, examine or clean the cutting equipment.

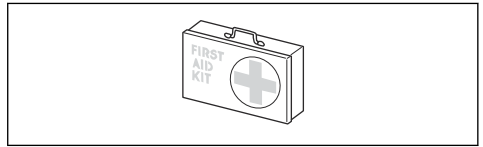


- Use protective boots with steel toes and non-slip soles.



- Use clothing made of a strong fabric. Always use heavy, long pants and long sleeves. Do not use loose clothing that can catch on twigs and branches. Do not wear jewelry, short pants, sandals or go with bare feet. Put your hair up safely above shoulder level.

- Keep first aid equipment close at hand.



Safety devices on the product



WARNING: Read the warning instructions that follow before you use the product.

In this section the product's safety features, its purpose and how checks and maintenance should be carried out to ensure that it operates correctly. See instructions under the heading *Product overview on page 2* to find where these parts are located on your product.

The life span of the product can be reduced and the risk of accidents can increase if product maintenance is not carried out correctly and if service and/or repairs are not carried out professionally. If you need further information please contact your nearest servicing dealer.



WARNING: Never use a product with defective safety components. The product's safety equipment must be inspected and maintained as described in this section. If your product fails any of these checks, contact your service agent to get it repaired.

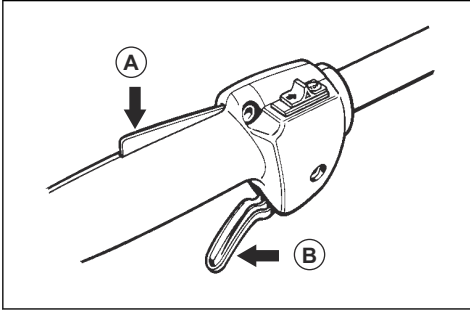


CAUTION: All servicing and repair work on the machine requires special training. This is especially true of the machine's safety equipment. If your machine fails any of the checks described below you must contact your service agent. When you buy any of our products we guarantee the availability of professional repairs and service. If the retailer who sells your machine is not a servicing dealer, ask him for the address of your nearest service agent.

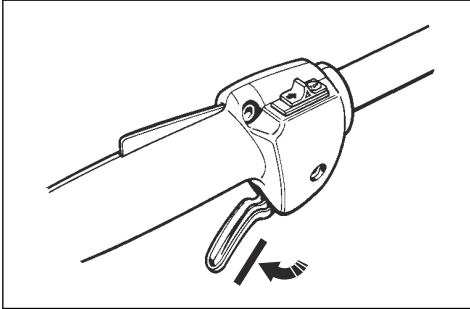
To do a check of the throttle trigger lockout

The throttle trigger lockout prevents accidental operation of the throttle control.

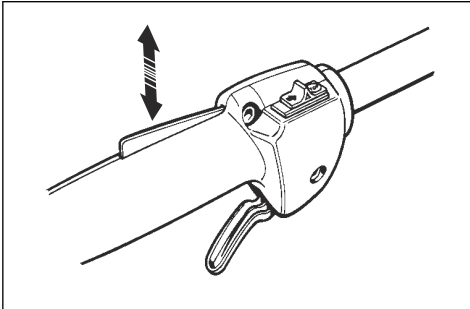
1. Push the throttle trigger lockout (A) and make sure that the throttle control is released (B).



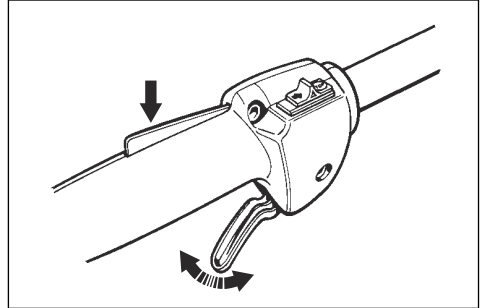
2. Release the throttle trigger lockout and make sure that the throttle control is locked at idle speed.



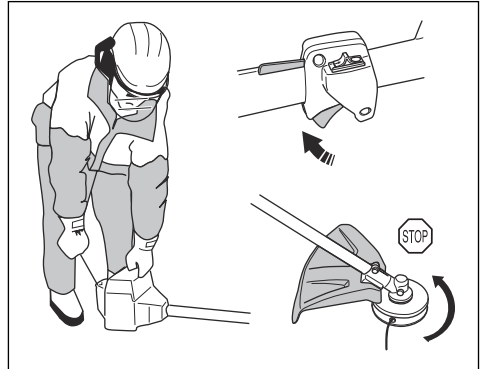
3. Push the throttle trigger lockout and make sure that it goes back to its initial position when you release it.



4. Make sure that the throttle control and throttle trigger lockout move freely and that the return springs operate correctly.

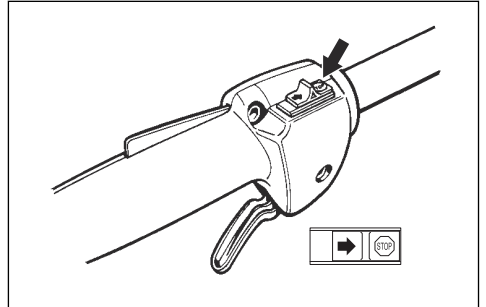


5. Start the product and apply full throttle. Refer to *To start the product on page 13*.
6. Release the throttle control and make sure that the cutting attachment stops. If the cutting attachment rotates with the throttle in the idle position, do a check of the carburetor adjustments. Refer to *Maintenance on page 14*.



To do a check of the stop switch

1. Start the engine.
2. Move the stop switch to the stop position and make sure that the engine stops.



To do a check of the cutting attachment guard

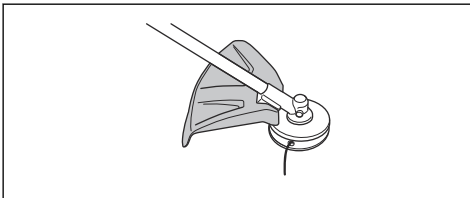


WARNING: Do not use a cutting attachment without an approved and correctly attached cutting attachment guard. Refer to, *Accessories on page 20.*



WARNING: Always use the recommended cutting attachment guard for the cutting attachment that you use. If an incorrect or faulty cutting attachment guard is fitted this can cause serious personal injury. Refer to, *Technical data on page 19.*

The cutting attachment guard prevents injuries from objects that eject in the direction of the operator. It also prevents injuries that occur if you touch the cutting attachment.



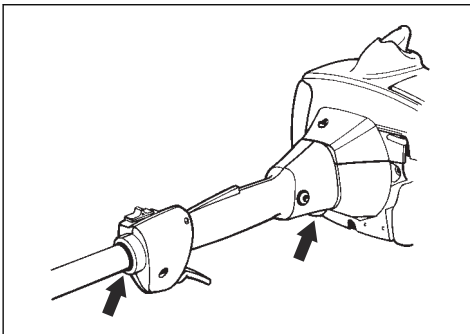
1. Do a visual check for damages, for example cracks.
2. Replace the cutting attachment guard if it is damaged.

To do a check of the vibration damping system



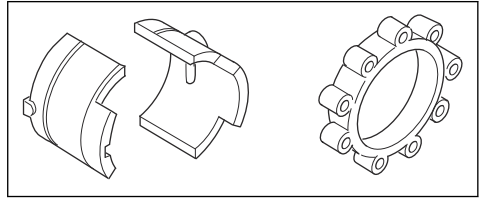
WARNING: Use of incorrectly wound cord or an incorrect cutting attachment increases the level of vibration.

The vibration damping system decreases vibration in the handles to a minimum which makes the operation easier. The vibration damping system decreases the vibrations between the engine unit and the shaft unit.

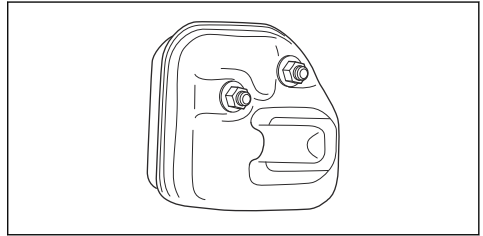


1. Stop the engine.
2. Do a visual check for deformation and damage for example, cracks.

3. Make sure that the vibration damping units are attached correctly.

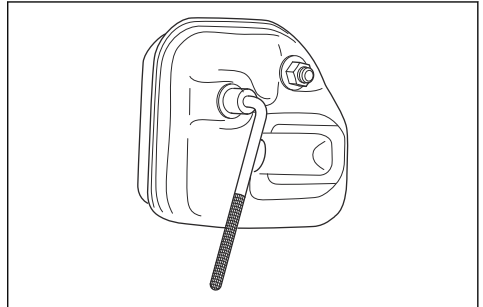


To do a check of the muffler



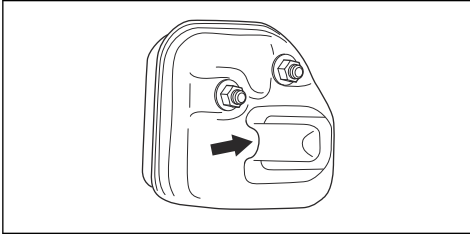
The muffler keeps noise levels to a minimum and sends exhaust fumes away from the operator.

- Do a visual check for damage and deformation.
- Make sure that the muffler is correctly attached to the product.



- If the muffler on your product has a spark arrester screen, do a visual check. Replace the spark arrester screen if it is damaged.
 - a) Clean the spark arrester screen if it is blocked. A blocked spark arrester screen causes the engine to become too hot which causes damage to the engine.

- b) Make sure that the spark arrestor mesh is attached correctly.



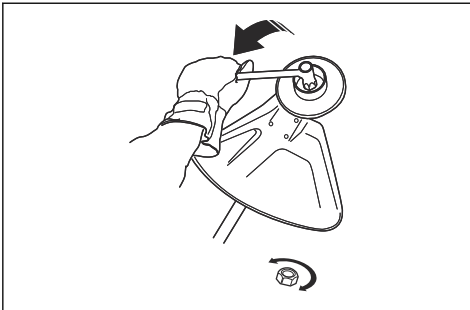
To attach and remove the locknut



WARNING: Stop the engine, use protective gloves and be careful around the sharp edges of the cutting attachment.

A locknut is used to attach some types of cutting attachments. The locknut has a left thread.

- To attach, tighten the locknut in the opposite direction to the direction of turning of the cutting attachment.
- To remove the locknut, loosen the locknut in the same direction as the cutting attachment rotates.
- To loosen and tighten the locknut, use a socket wrench with a long shaft. The arrow in the picture shows the area where you can operate the socket wrench.



WARNING: When you loosen and tighten the locknut, there is a risk of injury from the blade. You must always make sure that the blade guard prevents injury to your hand when you do this.

Note: Make sure that you cannot turn the locknut by hand. Replace the nut if the nylon lining does not have a resistance of a minimum of 1.5 Nm. The locknut must be replaced after it has been put on approximately 10 times.

Cutting equipment

Select correct cutting equipment and do maintenance on the cutting equipment to:

- Get maximum cutting performance.
- Increase lifetime of the cutting equipment.



WARNING: Only use cutting attachments with the guards we recommend! See *Accessories on page 20*. Refer to the instructions for the cutting attachment to find the correct way to load the trimmer line and the correct trimmer line diameter.



WARNING: A defective cutting attachment may increase the risk of accidents.

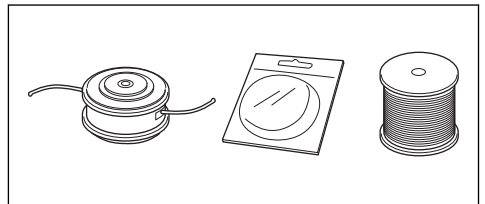


WARNING: Always stop the engine before you do the work on the cutting attachment. This continues to rotate after you release the throttle. Make sure that the cutting attachment has stopped fully and disconnect the spark plug cap before you start the work on it.

Trimmer head



WARNING: Always make sure the trimmer line is wound tightly and evenly around the drum to prevent harmful vibration.



- Only use recommended trimmer heads and trimmer lines.
- Only use recommended cutting attachments.
- Smaller machines requires small trimmer heads and vice versa.
- The length of the trimmer line is important. A longer trimmer line requires greater engine power than a shorter trimmer line of the same diameter.
- Make sure that the cutter on the trimmer guard is intact. This cuts the trimmer line to the correct length.
- Soak the trimmer line in water for a couple of days before use to increase the life length.

Fuel Safety



WARNING: Read the warning instructions that follow before you use the product.

- Never start the product if you spill fuel on it. Wipe the spillage of and allow remaining fuel to evaporate.
- Never start the product if you spill fuel on yourself or your clothes. Change your clothes and wash any part of your body that has come in contact with fuel. Use soap and water.
- Never start the product if the product is leaking fuel. Check regularly for leaks from the fuel cap and fuel lines.
- Always put the product on a flat surface and make sure the cutting attachment cannot come in contact with any object while you add fuel.
- Take care when handling fuel. Bear in mind the risk of fire, explosion and inhaling fumes.

- Observe caution when handling fuel and make sure there is adequate ventilation. Fuel and fuel fumes are highly inflammable and can cause serious injury when inhaled or allowed to come in contact with the skin.
- Mix and pour fuel outdoors, where there are no sparks or flames.
- Do not smoke or place hot objects near fuel.
- Always stop the engine and let it cool off for a few minutes before you refuel.
- Open the fuel cap slowly so that any excess pressure is released gently when you refuel.
- Tighten the fuel cap carefully after you refueled.
- Clean the area around the fuel cap. Contamination in the tank can cause operating problems.
- Always move the product 3m (10ft) or further from the refuelling area and source before starting.

Safety instructions for maintenance



WARNING: Always stop the engine before you do any work on the cutting attachment. The cutting attachment continues to rotate even after the throttle has been released. Ensure that the cutting attachment has stopped completely and disconnect the spark plug before you start to work on it.



WARNING: Make sure that the trimmer cord is wound tightly and evenly around the drum, otherwise the product will generate harmful vibration.

- Only use cutting attachments with the guards we recommend. Refer to *Accessories* on page 20.



WARNING: A faulty cutting attachment may increase the risk of accidents.

Assembly

Introduction



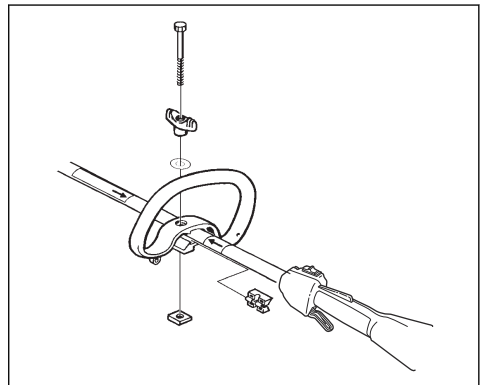
WARNING: Before you assemble the product, you must read and understand the safety chapter.



WARNING: Remove the spark plug cable from the spark plug before you assemble the product.

To assemble the loop handle

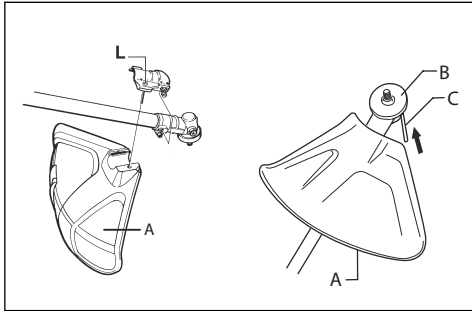
1. Put the loop handle onto the shaft, between the arrows.



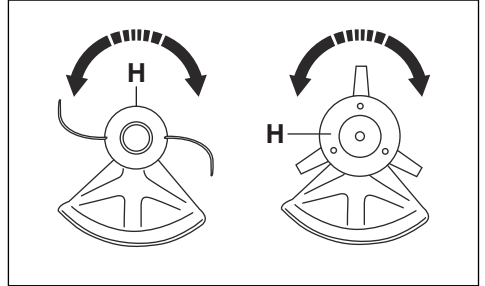
- Put the spacer into the slot of the loop handle.
- Install the nut, the knob and the screw. Do not tighten fully.
- Adjust the product to an applicable operation position.
- Tighten the knob.

To assemble the cutting attachment guard and trimmer head

- Attach the correct cutting attachment guard (A) for the trimmer head. Refer to *Accessories on page 20*.
- Put the cutting attachment guard onto the fitting on the shaft.
- Attach with the bolt (L).



- Install the drive disc (B) on the output shaft.
- Turn the output shaft until one of the holes in the drive disc aligns with the related hole in the gear housing.
- Put the locking pin (C) in the hole to lock the shaft.
- Turn the trimmer head /plastic blades (H) in the opposite direction from which the trimmer head/ plastic blades rotates.



Operation

Introduction

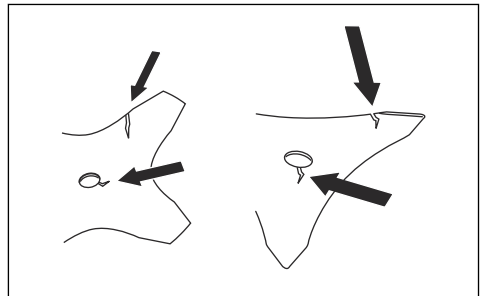


WARNING: Before you operate the product, you must read and understand the safety chapter.

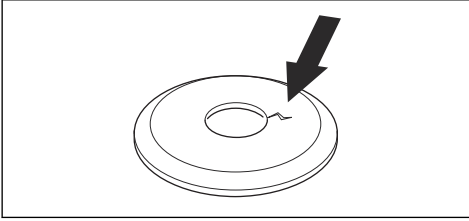
Before you operate the product

- Examine the work area to make sure that you know the type of terrain, the slope of the ground and if there are obstacles such as stones, branches and ditches.
- Do an overhaul inspection of the product.
- Do the safety inspections, maintenance and servicing that are given in this manual.
- Make sure that all covers, guards, handles and the cutting equipment are correctly attached and not damaged.

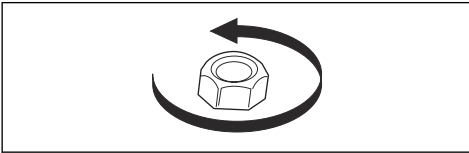
- Make sure that there are no cracks at the bottom of the grass blade teeth or by the center hole of the blade. Replace the blade if it is damaged.



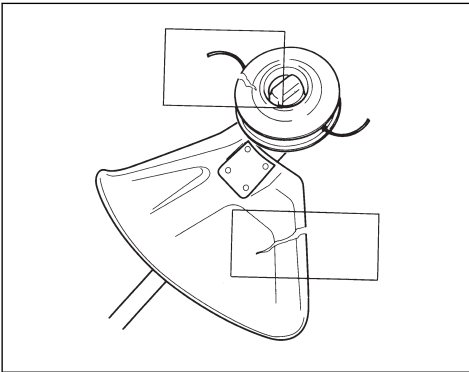
- Examine the support flange for cracks. Replace the support flange if it is damaged.



- Make sure that the locknut can not be removed by hand. If you can remove it by hand, it does not lock the cutting attachment sufficiently and you must replace it.



- Examine the trimmer head and trimmer guard for damages or cracks. Replace the trimmer head and trimmer guard if they have been hit or if they have cracks.



Fuel

This product has a four-stroke engine.



CAUTION: Incorrect type of fuel can result in engine damage.

Gasoline

- Use Husqvarna 4-stroke fuel for best performance and extension of the engine life. The Husqvarna 4-stroke fuel does not become bad or oxidized, which keeps the maintenance intervals to a minimum.

- If Husqvarna 4-stroke fuel is not available, use good quality unleaded gasoline with a maximum of 10% ethanol contents.



CAUTION: Do not use gasoline with an octane grade less than 90 RON/87 AKI. Use of a lower octane grade can cause engine knocking, which causes engine damages.

4-stroke oil

- Do a check of the engine oil level before you start the product. Too low engine oil level can cause damage to the engine. Refer to *To do a check of the engine oil level on page 14*.
- When the product is new, replace the engine oil after the first month or the first 10 hours of operation.
- Use Husqvarna 4-stroke oil for the best performance and engine life. Speak to an approved service agent to select the correct engine oil.
- If Husqvarna 4-stroke oil is not available, use a 4-stroke oil of good quality with minimum API SG rating. The recommended viscosity class is SAE 10W-40. Speak to an approved service agent to select the correct oil.



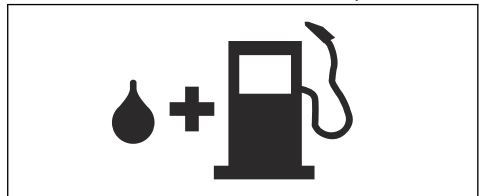
CAUTION: Do not use oil for two-stroke engines.

To fill the fuel tank



WARNING: Obey the procedure that follows for your safety.

- Stop the engine and let the engine become cool.
- Clean the area around the fuel tank cap.



- Remove the fuel tank cap slowly to release the pressure.
- Fill the fuel tank.



CAUTION: Make sure that there is not too much fuel in the fuel tank. The fuel expands when it becomes hot.

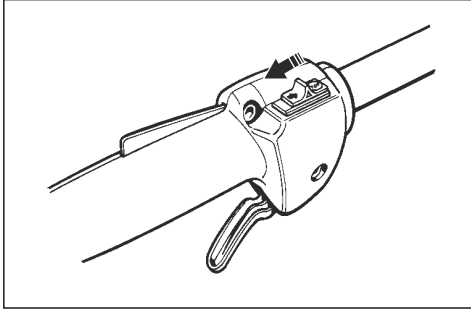
- Tighten the fuel tank cap carefully.
- Clean fuel spillage on and around the product.

7. Move the product 3 m/10 ft or more away from the refueling area and fuel source before you start the engine.

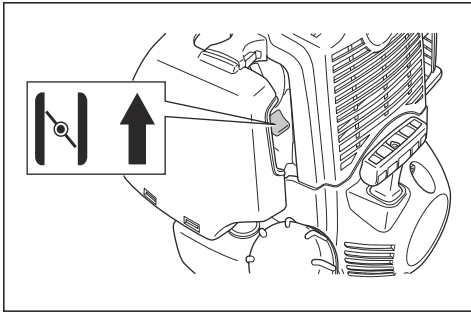
Note: To see where the fuel tank is on your product, refer to *Product overview on page 2*.

To start the product

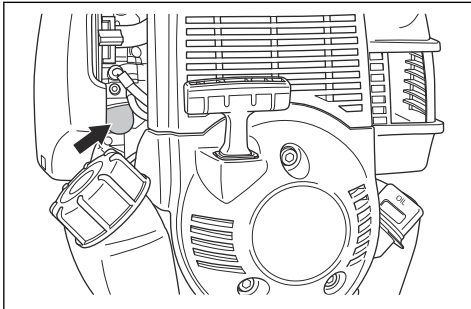
1. Move the stop switch to the start position.



2. Set the choke control to the choke position.



3. Push the air purge bulb until fuel starts to fill the air purge bulb.



4. Hold the product to the ground.

5. Pull the starter rope handle slowly with your right hand until you feel resistance.



WARNING: Do not wind the starter rope around your hand.



CAUTION: Do not pull the starter rope to full extension and do not let go of the starter rope handle. This can cause damage to the product.

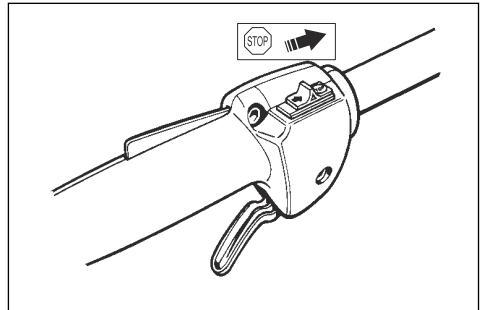
6. Pull the starter rope handle quickly and with force until the engine starts.
7. Set the choke control to the operation position.



WARNING: Keep body parts away from the spark plug cap. Risk of burn injuries. Do not use the product with a damaged spark plug cap. Risk of electrical shock.

To stop the product

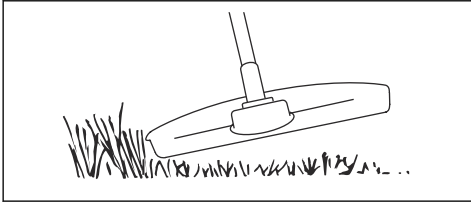
- Move the stop switch to the stop position to stop the engine.



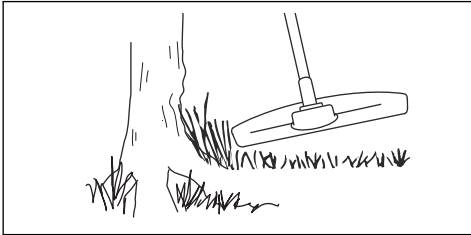
Grass trimming with a trimmer head

To trim the grass

1. Hold the trimmer head immediately above the ground at an angle. Do not push the trimmer line into the grass.

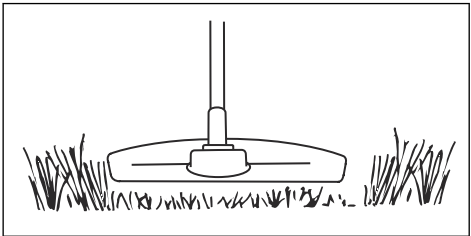


2. Decrease the length of the trimmer line by 10-12 cm / 4-4.75 in.
3. Decrease the engine speed to decrease the risk of damage to plants.
4. Use 80 % throttle when you cut grass near objects.

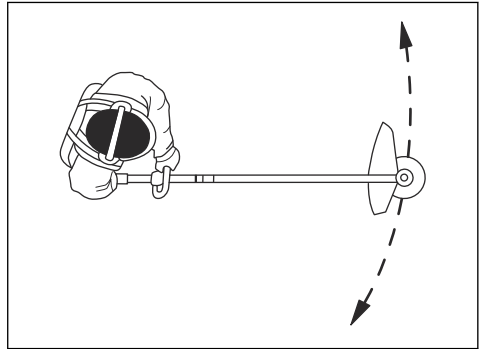


To cut the grass

1. Make sure that the trimmer line is parallel to the ground when you cut the grass.



2. Do not push the trimmer head to the ground. This can cause damage to the product.
3. Move the product from side to side when you cut grass. Use full speed.



To sweep the grass

The airflow from the rotating trimmer line can be used to remove cut grass from an area.

1. Hold the trimmer head and the trimmer line parallel to the ground and above the ground.
2. Apply full throttle.
3. Move the trimmer head from side to side and sweep the grass.



WARNING: Clean the trimmer head cover each time you assemble new trimmer line to prevent unbalance and vibrations in the handles. Also do a check of the other parts of the trimmer head and clean it if necessary.

Maintenance

Introduction

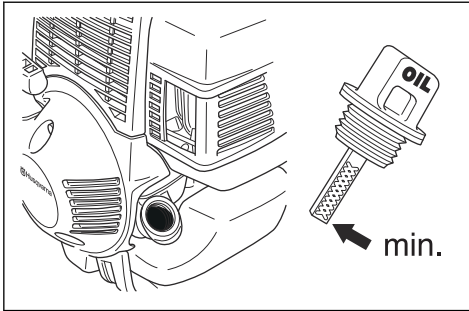


WARNING: Before you do any maintenance work you must read and understand the safety chapter.

To do a check of the engine oil level

1. Stop the engine and let the engine become cool.
2. Put the product on level ground.

- Clean the area around the oil filler cap.

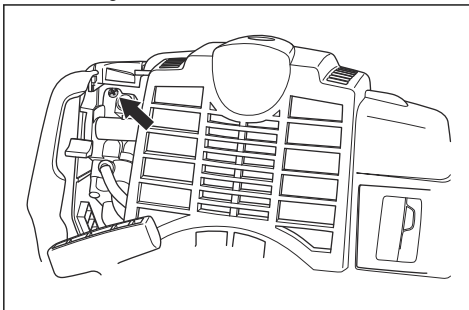


- Remove the oil filler cap.
- Remove the oil from the dipstick on the oil filler cap.
- Put the oil filler cap back into the oil filler neck. Do not tighten the oil filler cap in this step.
- Pull out the oil filler cap and read the oil level on the dipstick.
- If the oil level is low, fill with engine oil until the oil is at the edge of the oil filler neck. Only use recommended engine oil. Refer to *4-stroke oil on page 12*.
- Install the oil filler cap and tighten it fully.

To adjust the idle speed

Your Husqvarna product is made to specifications that decrease harmful emissions.

- Make sure that the air filter is clean and the air filter cover is attached before you adjust the idle speed.
- Adjust the idle speed with the idle speed screw T which is identified with "T" mark.
 - Turn the idle speed screw T clockwise until the cutting attachment starts to rotate.



- Turn the idle speed screw T counterclockwise until the cutting attachment stops.



WARNING: If the cutting attachment does not stop when you adjust the idle speed, speak to your servicing dealer. Do not use the product until it is correctly adjusted or repaired.

- The idle speed is correct when the engine operates smoothly in all positions. The idle speed must be below the speed when the cutting attachment starts to rotate.

Note: Refer to *Technical data on page 19* for the recommended idle speed.

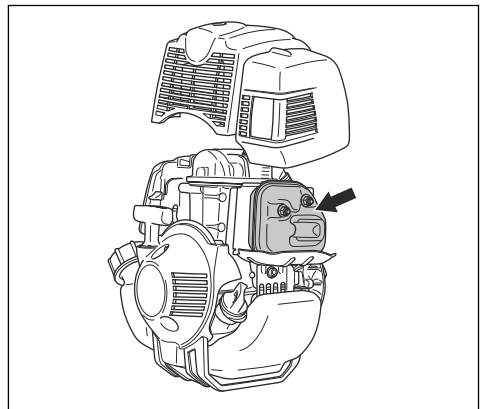
To do maintenance on the muffler



WARNING: The muffler decreases the noise level and points the exhaust gases away from the operator. The exhaust gases are hot and can contain sparks. This can cause fire if pointed against dry and flammable material.

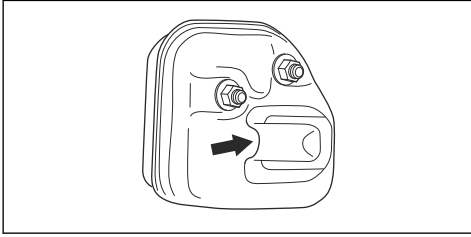


WARNING: Mufflers with catalytic converters become hot during operation. Risk of burn or fire. This also applies at idle speed. To examine if your product has a catalytic converter, refer to *Technical data on page 19*.



- Stop the engine and let the muffler become cool.
- Remove the muffler cover.
- If the muffler on your product has a spark arrester screen, do these steps:
 - Do a visual check. Replace the spark arrester screen if it is damaged.

- b) Clean the spark arrester screen if it is blocked. Clean weekly if your product has a catalytic converter. Clean monthly if your product does not have a catalytic converter.



CAUTION: A blocked spark arrester screen causes the engine to become too hot which causes damage to the engine.



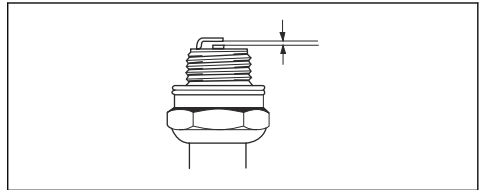
CAUTION: If the spark arrester screen is frequently blocked, it can be a sign that performance of the catalytic converter is decreased. Speak to your servicing dealer to examine the muffler. A blocked spark arrester screen causes overheating and results in damage to the cylinder and piston.

To examine the spark plug



CAUTION: Always use the recommended spark plug type. Incorrect spark plug type can cause damage to the product.

- Examine the spark plug if the engine is low on power, is not easy to start or does not operate correctly at idle speed.
- To decrease the risk of unwanted material on the spark plug electrodes, obey these instructions:
 - a) Make sure that the idle speed is correctly adjusted.
 - b) Make sure that the fuel mixture is correct.
 - c) Make sure that the air filter is clean.
- If the spark plug is dirty, clean it and make sure that the electrode gap is correct, refer to *Technical data on page 19*.



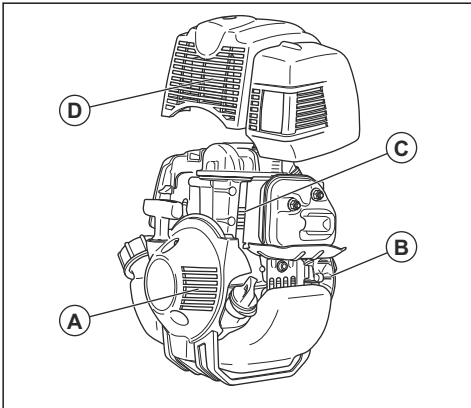
- Replace the spark plug if it is necessary.

To clean the air filter



CAUTION: An air filter that is damaged, very dirty or soaked with fuel must always be replaced.

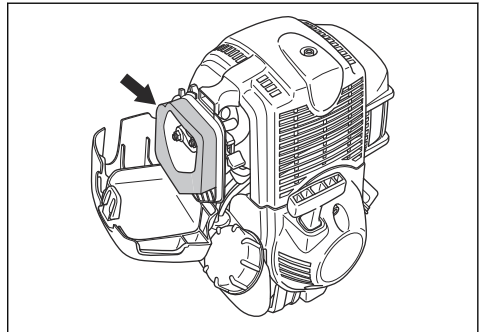
An air filter that is used for a long time can not be fully cleaned. Replace the air filter regularly and always replace a defective air filter.



1. Clean the cooling system with a brush weekly or more frequently if it is necessary.
2. Make sure that the cooling system is not dirty or blocked.

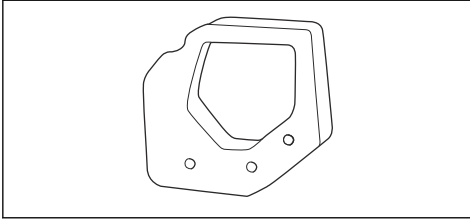


CAUTION: A dirty or blocked cooling system can make the product too hot, which can cause damage to the product.



1. Move the choke lever up, to close the choke valve.

- Remove the air filter cover and remove the air filter.



- Clean the air filter with warm soap water.
- Clean the inner surface of the air filter cover. Use air or a brush.
- Do a check of the surface of the rubber seal. Replace the filter on the rubber seal if it is damaged.
- Make sure that the filter is dry before you install it.

To apply oil to the foam air filter

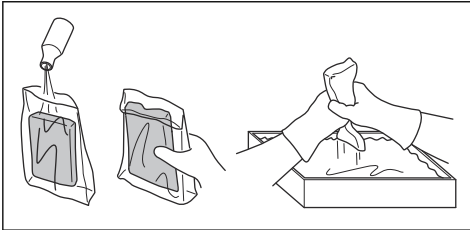


CAUTION: Always use Husqvarna special air filter oil. Do not use other types of oil.



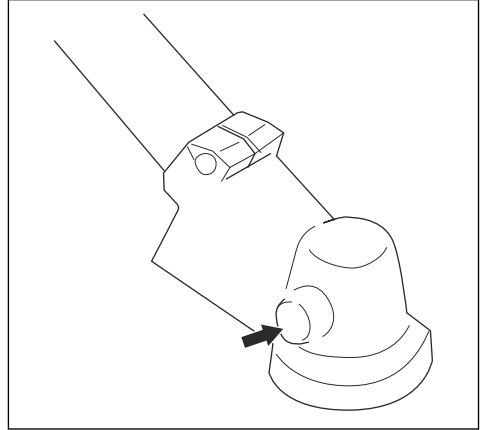
WARNING: Put on protective gloves. The air filter oil can cause skin irritation.

- Put the foam air filter in a plastic bag.
- Put the oil in the plastic bag.
- Rub the plastic bag to supply the oil equally across the foam air filter.
- Push the unwanted oil out of the foam air filter while in the plastic bag.



Bevel gear

The bevel gear is filled to $\frac{3}{4}$ with grease at the factory. Before you use the product, make sure that the grease level has not changed. Use Husqvarna special grease if it is necessary to fill up. Do not replace the grease in the bevel gear. Let servicing personnel do the repair of the bevel gear.



Maintenance schedule

The following is a list of the maintenance steps that must be performed on the product. Most of the items are described in *Maintenance on page 14*

Note: The user must only carry out the maintenance and service work described in this operator's manual. More extensive work must be carried out by an authorized service workshop.

Maintenance	Daily	Weekly	Monthly
Clean the external surface.	X		
Make sure that the throttle trigger lock and the throttle works correctly from a safety point of view.	X		
Do a check of the stop switch to make sure that it works correctly.	X		
Make sure that the cutting attachment does not rotate at idle speed.	X		
Clean the air filter. Replace if necessary.	X		

Maintenance	Daily	Weekly	Monthly
Examine the cutting attachment guard for damages and cracks. Replace the guard if it has been exposed to impact or is cracked.	X		
Examine the trimmer head for damages and cracks. Replace if damaged.	X		
Make sure that the screws and nuts are tight.	X		
Examine the engine, the fuel tank and the fuel lines for leaks.	X		
Clean the cooling system.		X	
Examine the starter and the starter rope for damages.		X	
Examine the vibration damping elements for damages and cracks.		X	
Clean the outside of the spark plug. Remove it and do a check of the electrode gap. Adjust the gap to the correct distance (see, <i>To examine the spark plug on page 16</i>) or replace the spark plug. Make sure that the spark plug is fitted with a suppressor.		X	
Clean the outside of the carburettor and the space around it.		X	
Do a check of the bevel gear to make sure that it is filled three-quarters with with lubricant. Use special grease to fill if necessary.		X	
Clean or replace the spark arrestor mesh on the muffler (only applies to mufflers without a catalytic converter).		X	
Do a check of the fuel filter for contamination and the fuel hose for cracks or other defects. Replace if necessary.			X
Do a check of all cables and connections.			X
Do a check of the clutch, clutch springs and the clutch drum for wear. Replace if necessary by an authorized service workshop.			X
Replace the spark plug. Make sure that the spark plug is fitted with a suppressor.			X
Check and clean the spark arrestor mesh on the muffler (only applies to mufflers without a catalytic converter).			X

Troubleshooting

The engine does not start

Check	Possible cause	Procedure
Stop switch.	The stop switch is in the stop position.	Set the stop switch to the start position.
Starter pawls.	The starter pawls cannot move freely.	Remove the starter cover and clean around the starter pawls.
		Let an approved service agent help you.
Fuel tank.	Incorrect fuel type.	Drain the fuel tank and fill with correct fuel.

Check	Possible cause	Procedure
Spark plug.	The spark plug is dirty or wet.	Make sure that the spark plug is dry and clean.
	The spark plug electrode gap is incorrect.	Clean the spark plug. Make sure that the electrode gap is correct. Make sure that the spark plug has a suppressor.
		Refer to technical data for correct electrode gap.
The spark plug is loose.	Tighten the spark plug.	

The engine starts but stops again

Check	Possible cause	Procedure
Fuel tank.	Incorrect fuel type.	Empty the fuel tank and fill it with correct fuel.
Air filter.	The air filter is clogged.	Clean the air filter.

Transportation and storage

Transportation and storage

- Always allow the product to cool down before storage.
- For storage and transportation of the product and fuel, make sure that there are no leaks or fumes. Sparks or open flames, for example from electrical devices or boilers, can start a fire.
- Always use approved containers for storage and transportation of fuel.
- Empty the fuel before transportation or before long-term storage. Discard the fuel at an applicable disposal location.
- Attach the transport guard during transportation and storage.
- Remove the spark plug cap from the spark plug.
- Attach the product during transportation. Make sure that it cannot move.
- Clean and do servicing on the product before long-term storage.

Technical data

	324L
Engine	
Cylinder displacement, cu.in/cm ³	1.53/25
Idle speed, rpm	3100
Recommended max. speed, rpm	12000
Maximum engine power acc. to ISO 8893, kW/hp @ rpm	0.7/7000
Catalytic converter muffler	No

	324L
Speed of output shaft, rpm	8220
Ignition system	
Spark plug	NGK CMR5H
Electrode gap, in./mm	0.024/0.6
Fuel system	
Fuel tank capacity, US Pint/l	1.16/0.55
Weight	
Weight, lb/kg	11.0/5.0

Accessories

Accessories

The accessories used in combination with the specified power heads have been evaluated to ANSI B175.3-2013 Grass Trimmers and Brushcutters Safety Requirements.

These combinations have been evaluated by Underwriters Laboratories Inc. (UL) and are consequently UL listed.

324L		
Approved accessories	Type	Cutting attachment guard, art. no.
Blade shaft thread M10		
Trimmer head	S35 (Ø 2.4-3.0 mm cord)	588 54 37-01 / 588 11 79-01
	T25 (Ø 2.0 - 2.7 mm line)	588 54 37-01 / 588 11 79-01
	T35, T35x (Ø 2.4-3.0 mm cord)	588 54 37-01 / 588 11 79-01
	Alloy (Ø 2.0-3.3 mm cord)	588 54 37-01 / 588 11 79-01

Warranty

CALIFORNIA, U.S FEDERAL, AND CANADA EXHAUST AND EVAPORATIVE EMISSIONS CONTROL WARRANTY STATEMENT

YOUR WARRANTY RIGHTS AND OBLIGATIONS

The California Air Resources Board (CARB), U.S. Environmental Protection Agency (EPA), Environment and Climate Change Canada and Husqvarna Professional Products, Inc. are pleased to explain the exhaust and evaporative emissions ("emissions") control system warranty on your 2019-2020* small off-road engine. In California, new equipment that use small off-road engines must be designed, built, and equipped to meet State's stringent anti-smog standards. Husqvarna Professional Products, Inc. must warrant the emissions control system on your small off-road engine for the periods of time listed below provided there has been no abuse, neglect or improper maintenance of your small off-road engine or equipment leading to the failure of the emissions control system. Your emissions control system may include parts such as the carburetor or fuel injection system, the ignition system, catalytic converter, fuel tanks, fuel lines (for liquid fuel and fuel vapors), fuel caps, valves, canisters, filters, clamps and other associated components. Also included may be hoses, belts, connectors, and other emission-related assemblies. Where a warrantable condition exists, Husqvarna Professional Products, Inc. will repair your small off-road engine at no cost to you including diagnosis, parts and labor.

MANUFACTURER'S WARRANTY COVERAGE

The exhaust and evaporative emissions control system on your small off-road engine is warranted for two years. If any emissions-related part on your small off-road engine is defective, the part will be repaired or replaced by Husqvarna Professional Products, Inc..

OWNER'S WARRANTY RESPONSIBILITIES

- As the small off-road engine owner, you are responsible for performance of the required maintenance listed in your owner's manual. Husqvarna Professional Products, Inc. recommends that you retain all receipts covering maintenance on your small off-road engine, but Husqvarna Professional Products, Inc. cannot deny warranty coverage solely for the lack of receipts or for your failure to ensure the performance of all scheduled maintenance.
- As the small off-road engine owner, you should however be aware that Husqvarna Professional Products, Inc. may deny you warranty coverage if your small off-road engine or a part has failed due to abuse, neglect, or improper maintenance or unapproved modifications.

- You are responsible for presenting your small off-road engine to a Husqvarna Professional Products, Inc. authorized servicing dealer as soon as the problem exists. The warranty repairs shall be completed in a reasonable amount of time, not to exceed 30 days. If you have any questions regarding your warranty rights and responsibilities, you should contact Husqvarna Professional Products, Inc. in USA at 1-800-487-5951, in CANADA at 1-800-805-5523 or send e-mail correspondence to emissions@husqvarnagroup.com or warranty@hpp-emissions.com.

WARRANTY COMMENCEMENT DATE

The warranty period begins on the date the engine or equipment is delivered to an ultimate purchaser.

LENGTH OF COVERAGE

Husqvarna Professional Products, Inc. warrants to the ultimate purchaser and each subsequent owner that the engine or equipment is designed, built, and equipped so as to conform with all applicable regulations adopted by CARB and EPA, and is free from defects in materials and workmanship that causes the failure of a warranted part for a period of two years.

WHAT IS COVERED

REPAIR OR REPLACEMENT OF PARTS: Repair or replacement of any defective warranted part will be performed at no charge to you at a brand authorized servicing dealer. Except for repairs and replacement under this Emission Control Warranty, you may choose a repair shop or other person to maintain, replace or repair emission control devices and systems. However, Husqvarna Professional Products, Inc. recommends that all maintenance, replacement and repairs of emission control devices and systems be performed by a brand authorized servicing dealer.

IMPORTANT: This product is compliant with U.S. EPA Phase 3 regulations for exhaust and evaporative emissions. To ensure EPA Phase 3, California Air Resources Board and Environment and Climate Change Canada regulation, we recommend using only genuine product branded replacement parts. Use of non-compliant replacement parts is a violation of federal and state laws.

WARRANTY PERIOD: Any warranted part which is not scheduled for replacement as required maintenance, or which is scheduled only for regular inspection to the effect of "repair or replace as necessary" is warranted for 2 years (or time defined in the product warranty statement, whichever is longer) from the date of purchase by the initial consumer purchaser. Any warranted part which is scheduled for replacement as required maintenance is warranted for the period of the time up to the first scheduled replacement for that part.

Any part repaired or replaced under the warranty must be warranted for the remaining warranty period.

DIAGNOSIS: You will not be charged for diagnostic labor that leads to the determination that a warranted part is in fact defective, provided that such diagnostic work is performed at a brand authorized servicing dealer.

OTHER DAMAGES: Husqvarna Professional Products, Inc. will repair other engine components caused by the failure of a warranted part still under warranty.

EMISSION WARRANTY PARTS LIST

1. Carburetor and intake parts or fuel injection system.
2. Air filter and fuel filter covered up to maintenance schedule.
3. Spark Plug, covered up to maintenance schedule.
4. Ignition Module.
5. Mufflers with catalyst and exhaust manifolds.
6. Fuel tank, fuel lines (for liquid fuel and fuel vapors), fuel cap, carbon canister and tip-over/anti-slosh valves as applicable.**
7. Electronic Controls, Vacuum, temperature, and time sensitive valves and switches.
8. Hoses, connectors, and assemblies.
9. All other components the failure of which would increase the engine's exhaust and evaporative emissions of any regulated pollutant as set forth at the following:
 - For California see California Code of Regulations, 13 CCR §2405(d) and 2760(d).
 - For U.S. and Canada see US Federal Code of Regulations, 40 C.F.R. 1068 Appendix I (iii).

WHAT IS NOT COVERED

All failures caused by abuse, neglect, unapproved modifications, misuse or improper maintenance are not covered.

ADD -ON OR MODIFIED PARTS: Add-on or modified parts that are not exempted by CARB or EPA may not be used. The use of any non-exempted add-on or modified parts will be grounds for disallowing a warranty claim. Husqvarna Professional Products, Inc. will not be liable to warrant failures of warranted parts caused by the use of a non-exempted add-on or modified part.

HOW TO FILE A CLAIM

If you have any questions regarding your warranty rights and responsibilities, you should contact your nearest authorized servicing dealer or call Husqvarna Professional Products, Inc. in USA at 1-800-487-5951, in CANADA at 1-800-805-5523 or send e-mail correspondence to emissions@husqvarnagroup.com or warranty@hpp-emissions.com.

WHERE TO GET WARRANTY SERVICE

Warranty services or repairs are provided through all Husqvarna Professional Products, Inc. authorized servicing dealers. If the nearest authorized servicing

dealer is more than 100 miles from your location, Husqvarna Professional Products, Inc. will arrange and pay for the shipping costs to and from a brand authorized servicing dealer or otherwise arrange for warranty service in accordance with applicable regulations.

MAINTENANCE, REPLACEMENT AND REPAIR OF EMISSION-RELATED PARTS

Any replacement part may be used in the performance of any warranty maintenance or repairs and must be provided without charge to the owner. Such use will not reduce the warranty obligations of the manufacturer.

MAINTENANCE STATEMENT

The owner is responsible for the performance of all required maintenance, as defined in the owner's manual.

* Current and following model year will be updated annually in the warranty statement provided to the consumer. For example, in 2012 model year, 2012-2013 will be specified.

** Evaporative emission parts.

Contenido

Introducción.....	23	Solución de problemas.....	41
Seguridad.....	25	Transporte y almacenamiento.....	41
Instrucciones de seguridad para el mantenimiento.....	32	Datos técnicos.....	42
Montaje.....	32	Accesorios.....	42
Funcionamiento.....	33	Garantía.....	43
Mantenimiento.....	36		

Introducción

Descripción del producto

El producto es una recortadora de césped con un motor de combustión.

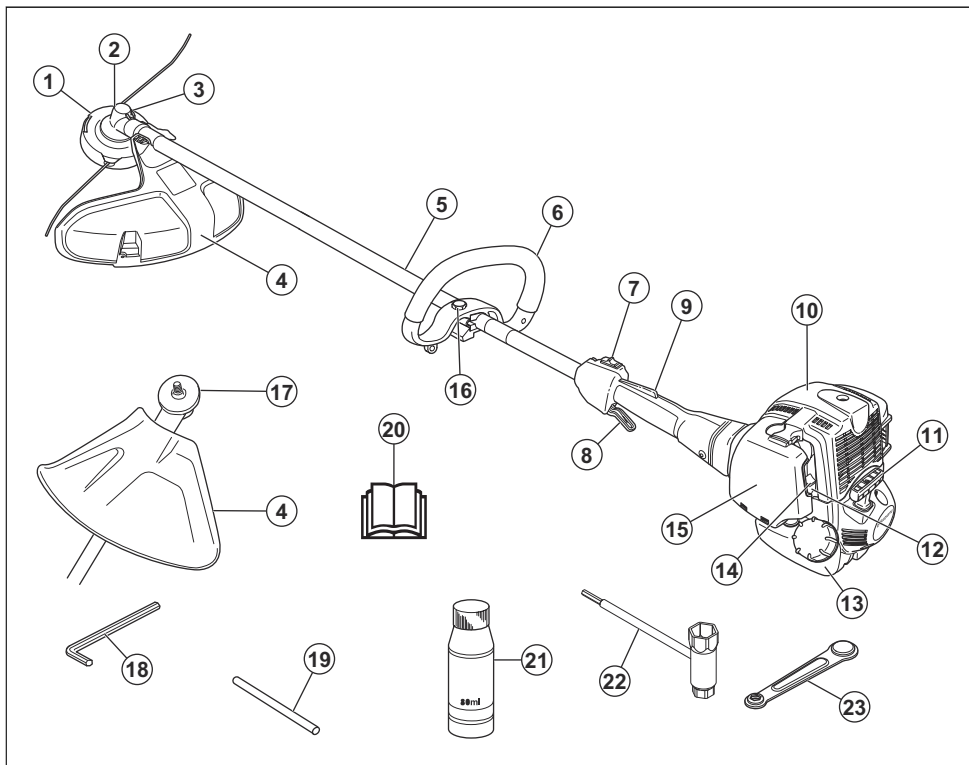
Se realiza un trabajo constante para aumentar su seguridad y la eficiencia durante la operación. Póngase en contacto con su taller de servicio para obtener más información.

Uso específico

El producto se utiliza con un cabezal de corte para cortar césped. No utilice el producto para otras tareas que no sean cortar y desbrozar césped.

Tenga en cuenta: Las normativas nacionales pueden establecer un límite para el funcionamiento del producto.

Descripción general de la máquina



1. Cabezal de corte
2. Engranaje angulado
3. Tapón de llenado de grasa
4. Protección del equipo de corte
5. Eje
6. Mango cerrado
7. Interruptor de detención
8. Gatillo del acelerador
9. Bloqueo del acelerador
10. Cubierta del cilindro
11. Empuñadura de la cuerda de arranque
12. Bulbo de la purga de aire
13. Depósito de combustible
14. Estrangulador
15. Cubierta del filtro de aire
16. Ajuste del mango
17. Disco de arrastre
18. Llave hexagonal
19. Pasador de bloqueo
20. Manual del usuario
21. Aceite

22. Llave combinada
23. Llave

Símbolos en el producto



Tenga cuidado y utilice el producto correctamente. Este producto puede causar daños graves o fatales al operador o a otras personas.



Lea atentamente el manual de instrucciones y asegúrese de que entiende las instrucciones antes de usar este producto.



Utilice un casco protector en lugares donde puedan caer objetos sobre usted. Use protección auricular aprobada. Use protección ocular aprobada.



Use guantes protectores homologados.



Use botas antideslizantes de servicio pesado.



El producto puede provocar que los objetos salgan expulsados, lo que puede causar lesiones.



Régimen máximo del eje de salida.



Manténgase a un mínimo de 15 m de distancia de las personas y los animales mientras el producto esté funcionando.



Utilice solo cable de corte flexible. No use equipos de corte metálicos para cortar césped.



Las flechas muestran el límite de la posición del mango.



Bulbo de la purga de aire.



Estrangulador.



Combustible.

yyyywwxxxx

La placa de características muestra el número de serie. **yyyy** es el año de fabricación y **ww** es la semana de producción.

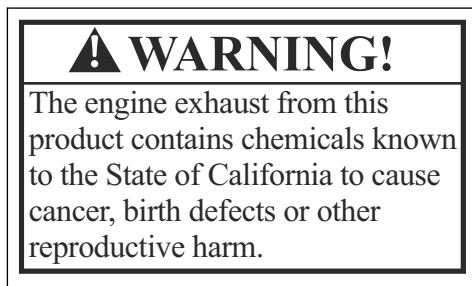
Tenga en cuenta: Otros símbolos o etiquetas en la máquina hacen referencia a requisitos de certificación para algunos mercados.

EPA III



El Período de cumplimiento de emisiones al que se hace referencia en la etiqueta de Cumplimiento de emisiones indica la cantidad de horas de funcionamiento en la que se ha demostrado que el motor cumple los requisitos de emisiones federales y de California.

Propuesta 65 de California



Seguridad

Definiciones de seguridad

Las advertencias, precauciones y notas se utilizan para señalar las piezas particularmente importantes del manual.



ADVERTENCIA: Se utilizan para señalar el riesgo de lesiones graves o mortales para el operador o para aquellos que se encuentren cerca si no se siguen las instrucciones del manual.



AVISO: Se utilizan para señalar el riesgo de dañar la máquina, otros materiales o el área adyacente si no se siguen las instrucciones del manual.

Tenga en cuenta: Se utilizan para entregar más información necesaria en situaciones particulares.

Instrucciones generales de seguridad



ADVERTENCIA: Lea atentamente las instrucciones de advertencia siguientes antes de usar el producto.

- Una desbrozadora, un quita arbustos o una recortadora pueden resultar peligrosos si se utilizan de manera inapropiada o incorrecta, ya que pueden causar daños graves o fatales al operador u otras personas. Es muy importante que lea y comprenda el contenido de este manual de usuario.
- Bajo ninguna circunstancia se puede modificar el diseño del producto sin autorización del fabricante. No utilice nunca un producto que ha sido modificado

de cualquier modo con respecto a la especificación original y utilice siempre accesorios originales. Las modificaciones o accesorios no autorizados pueden provocar daños personales o la muerte del operador u otras personas.

- El interior del silenciador contiene productos químicos que pueden ser cancerígenos. Evite el contacto con estos elementos en caso de que se dañe el silenciador.
- En este producto se genera un campo electromagnético durante su funcionamiento. Este campo puede, en determinadas circunstancias, interferir con implantes médicos activos o pasivos. Para reducir el riesgo de lesiones graves o fatales, recomendamos a las personas con implantes médicos consultar a su médico y al fabricante del implante médico antes de usar esta máquina.

Instrucciones de seguridad para el funcionamiento



ADVERTENCIA: Lea atentamente las instrucciones de advertencia siguientes antes de usar el producto.

- Debe entender la diferencia entre desbroce de césped y recorte de césped antes de usarlo.
- Si se encuentra en una situación en la que no está seguro de cómo proceder, debe preguntarle a un experto. Póngase en contacto con el distribuidor o el taller de servicio. Evite todos los usos que considere que están más allá de su capacidad.
- Nunca utilice un producto que esté defectuoso. Realice las comprobaciones de seguridad, el mantenimiento y las instrucciones de servicio descritas en este manual. Especialistas capacitados y calificados deben llevar a cabo algunas medidas de mantenimiento y servicio. Consulte *Mantenimiento en la página 36*.
- Todas las tapas, protecciones y mangos deben estar montados antes de arrancar la máquina. Asegúrese de que el sombrerete de bujía y el cable de encendido estén en perfecto estado para evitar el riesgo de descarga eléctrica.
- No utilice nunca la máquina si está cansado, bajo la influencia del alcohol o las drogas, medicamentos o cualquier cosa que pudiera afectar su visión, vigilancia, coordinación o criterio.
- No utilice la máquina en condiciones climáticas desfavorables, como niebla densa, lluvia intensa, tempestad, frío intenso, etcétera. Trabajar con mal tiempo es agotador y, a menudo, se presentan más riesgos, como suelo con hielo, dirección de corte impredecible, etcétera.
- Los únicos accesorios que pueden utilizarse con esta unidad de motor son los equipos de corte que recomendamos. Consulte *Accesorios en la página 42*.
- Nunca permita que los niños utilicen el producto o que estén cerca de este. Debido a que el producto

está equipado con un interruptor de arranque/detención que se acciona por resorte y se puede arrancar con baja velocidad y fuerza desde el mango de arranque, incluso niños pequeños pueden, en determinadas circunstancias, lograr la fuerza necesaria para arrancar el producto. Esto puede significar riesgo de daños personales graves. Por consiguiente, saque el sombrerete de bujía cuando no se supervise el producto atentamente.

- Hacer funcionar un motor en un área confinada o mal ventilada puede producir la muerte por asfixia o intoxicación por monóxido de carbono.
- Toda la cubierta del embrague y el eje deben estar montados antes de encender la máquina; de lo contrario, el embrague se puede desprender y puede causar daños personales.
- Asegúrese de que ninguna persona o animal se acerque a menos de 15 m mientras trabaja. Cuando varios operadores trabajen en la misma zona, la distancia de seguridad debe ser de al menos 15 m. De lo contrario, existe el riesgo de que se produzcan lesiones personales graves. Detenga el producto de inmediato si alguien se acerca. Nunca balancee el producto sin mirar primero hacia atrás para asegurarse de que nadie se encuentre dentro de la zona de seguridad.
- Asegúrese de que ni personas, ni animales ni ningún objeto o elemento puedan influir en su control del producto o que no entren en contacto con el equipo de corte u objetos flojos que son lanzados por el equipo de corte. No obstante, no utilice el producto a menos que sea capaz de pedir ayuda en caso de accidente.
- Siempre inspeccione la zona de trabajo. Quite todos los objetos sueltos, como piedras, cristales rotos, clavos, alambres de acero, cuerdas, etcétera., que podrían ser lanzados o enredarse en el equipo de corte.
- Cerciórese de que puede caminar y mantenerse de pie con seguridad. Revise el área a su alrededor para detectar posibles obstáculos (raíces, piedras, ramas, zanjas, etc.) en caso de que tenga que moverse repentinamente. Tenga sumo cuidado al trabajar en terreno inclinado.



- Mantenga un buen equilibrio en todo momento. No se estire demasiado.

- Siempre sujete el producto con ambas manos. Mantenga el producto al lado derecho de su cuerpo.
- Mantenga el equipo de corte por debajo de la cintura.
- Apague el motor antes de pasar a otra área. Coloque la protección para transportes antes de llevar o transportar el equipo una cierta distancia.
- Nunca suelte el producto con el motor activado a menos que lo tenga a la vista.
- Pare el motor y el equipo de corte antes de quitar el material que se ha enrollado en el eje de la hoja. Ni el usuario del producto ni ninguna otra persona debe intentar retirar el material cortado mientras el motor está en marcha o el equipo de corte está girando, ya que esto puede provocar lesiones graves. El engranaje angulado puede calentarse durante el uso y es posible que permanezca caliente por un largo tiempo. Si lo toca, puede quemarse.
- Esté atento a que no salgan objetos despedidos. Use siempre protección ocular homologada. No se apoye nunca sobre la protección del equipo de corte. Es posible que las piedras, residuos, etcétera, salgan despedidos en dirección a los ojos y le causen ceguera o lesiones graves.
- Algunas ramas o césped podrían quedar atrapados entre la protección y el equipo de corte. Detenga el motor antes de limpiar el producto.
- Reduzca siempre la velocidad del motor a ralentí después de cada tarea. Utilizar la máquina períodos prolongados a aceleración máxima sin ninguna carga en el motor puede provocar daños graves al motor.
- Preste atención a las señales de advertencia o gritos cuando utilice protectores auriculares. Siempre retire sus protectores auriculares apenas se detenga el motor.
- La sobreexposición a las vibraciones puede producir trastornos vasculares o nerviosos en personas que padecen de trastornos circulatorios. Póngase en contacto con su médico si experimenta síntomas de la sobreexposición a las vibraciones. Estos síntomas incluyen entumecimiento, pérdida de sensibilidad, hormigueo, ardor, dolor, pérdida de fuerza y cambios en el color o el estado de la piel. Normalmente, estos síntomas se presentan en los dedos, manos o muñecas.
- No utilice un producto con un sombrerete de bujía dañado.
- No utilice un producto con un silenciador defectuoso.
- Mantenga todas las partes del cuerpo lejos del equipo de corte giratorio y superficies calientes.
- Nunca utilice un producto con un silenciador defectuoso.
- Nunca arranque ni utilice el producto en interiores, cerca de material combustible ni en espacios que no cuenten con una ventilación adecuada. Los gases de escape del motor contienen monóxido de carbono, un gas inodoro, tóxico y altamente peligroso. Además, los gases de escape están

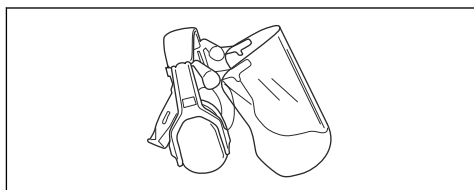
calientes y pueden contener chispas que podrían provocar un incendio.

Equipo de protección personal

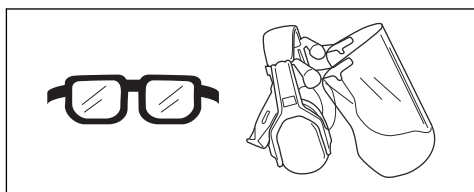


ADVERTENCIA: Lea atentamente las instrucciones de advertencia siguientes antes de usar el producto.

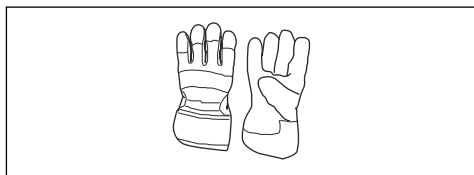
- Utilice siempre el equipo de protección personal adecuado cuando use el producto. El equipo de protección personal no puede impedir el riesgo de lesiones, pero disminuirá el grado de lesión si ocurre un accidente. Permita que su distribuidor le ayude seleccionar el equipo adecuado.
- Utilice protectores auriculares aprobados que proporcionen una reducción de ruido adecuada. La exposición prolongada al ruido puede causar la pérdida permanente de la audición.



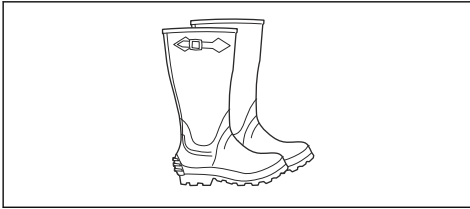
- Use protección ocular homologada. Si utiliza un visor, también debe usar gafas protectoras homologadas. Las gafas protectoras homologadas deben cumplir con la norma ANSI Z87.1 de EE. UU. o EN 166 para países de la UE.



- Utilice guantes cuando sea necesario, por ejemplo, cuando conecte, examine o limpie el equipo de corte.



- Use botas de protección con punta de acero y suelas antideslizantes.



- Utilice ropa de material resistente. Use siempre pantalones largos y gruesos, y mangas largas. Evite usar ropas holgadas que se puedan enganchar con ramas. No trabaje con joyas, pantalones cortos, sandalias ni con los pies descalzos. Asegure su cabello por encima del nivel de los hombros.
- Mantenga un equipo de primeros auxilios a mano.



Dispositivos de seguridad en el producto



ADVERTENCIA: Lea atentamente las instrucciones de advertencia siguientes antes de usar el producto.

En esta sección se describen las características de seguridad del producto y su propósito, y cómo deben llevarse a cabo las comprobaciones y el mantenimiento para asegurarse de que funciona correctamente. Consulte las instrucciones bajo el título *Descripción general de la máquina en la página 24* para ver dónde están situados estos componentes en el producto.

La vida útil del producto se puede reducir y el riesgo de accidentes puede aumentar si el mantenimiento del producto no se realiza correctamente y si el servicio o las reparaciones no se llevan a cabo de forma profesional. Si necesita más información, comuníquese con su taller de servicio más cercano.



ADVERTENCIA: No utilice nunca un producto con componentes de seguridad defectuosos. El equipo de seguridad del producto se debe inspeccionar y mantener tal como se describe en esta sección. Si el producto no pasa exitosamente alguna de estas comprobaciones, póngase en contacto con el taller de servicio para que lo reparen.



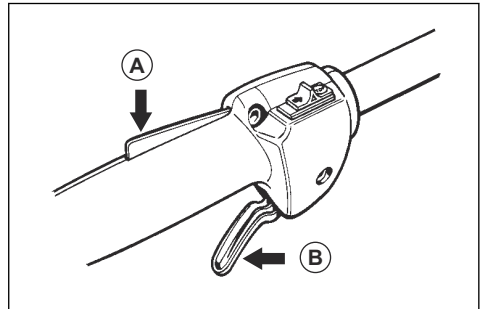
AVISO: Todos los trabajos de servicio y reparación de la máquina requieren una formación especial. Esto aplica especialmente al equipo de seguridad. Si la

máquina no pasa exitosamente alguna de las comprobaciones indicadas a continuación, póngase en contacto con el taller de servicio. La compra de alguno de nuestros productos le garantiza la disponibilidad de mantenimiento y servicio profesionales. Si el comerciante que vende la máquina no es un concesionario de servicio, pídale la dirección del taller de servicio más cercano.

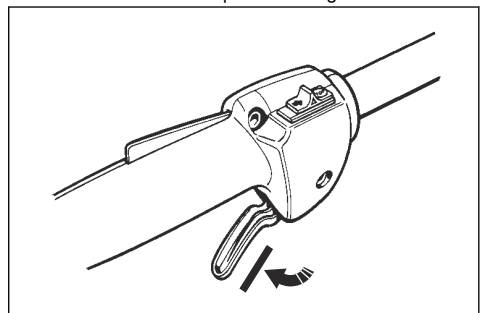
Comprobación del fiador del acelerador

El bloqueo del acelerador evita el funcionamiento accidental del acelerador.

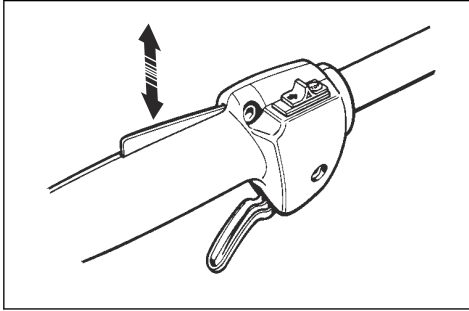
1. Presione el bloqueo del acelerador (A) y asegúrese de que se suelte el acelerador (B).



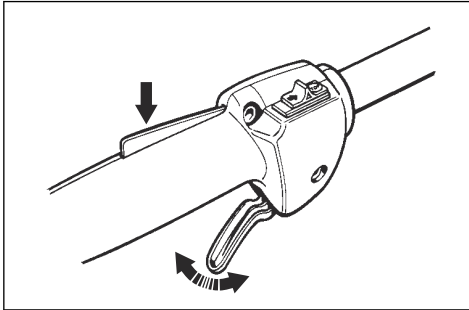
2. Suelte el bloqueo del acelerador y asegúrese de que el acelerador esté bloqueado en régimen de ralentí.



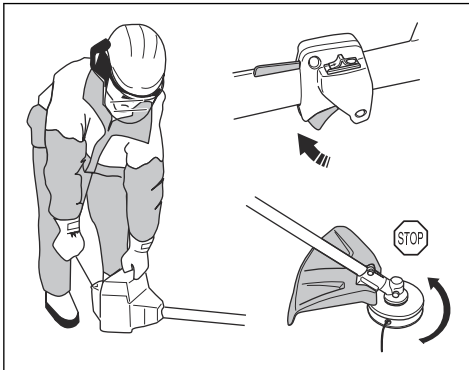
3. Presione el bloqueo del acelerador y asegúrese de que vuelva a su posición inicial cuando lo suelte.



4. Asegúrese de que el acelerador y el bloqueo del acelerador se muevan libremente y que los resortes de retorno funcionen de manera correcta.



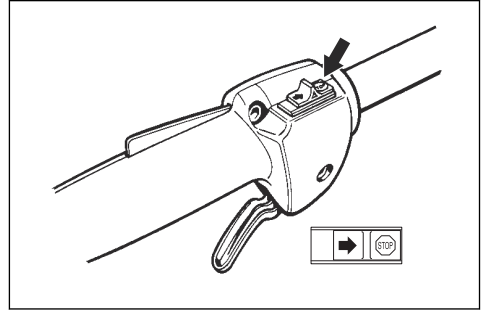
5. Encienda el producto y aplique la aceleración máxima. Consulte *Para poner en marcha el producto en la página 35*.
6. Suelte el acelerador y asegúrese de que el equipo de corte se detenga. Si el equipo de corte gira con el acelerador en la posición de ralentí, revise los ajustes del carburador. Consulte *Mantenimiento en la página 36*.



Para comprobar el interruptor de detención

1. Arranque el motor.

2. Mueva el interruptor de detención a la posición de detención y asegúrese de que el motor se detenga.



Comprobación de la protección del equipo de corte

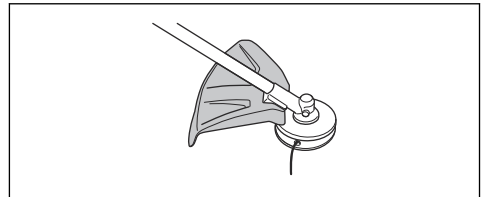


ADVERTENCIA: No utilice un equipo de corte sin una protección para equipo de corte aprobada y correctamente acoplada. Consulte *Accesorios en la página 42*.



ADVERTENCIA: Utilice siempre la protección para el equipo de corte recomendada para el equipo de corte que utilice. Un montaje incorrecto o defectuoso de una protección para el equipo de corte puede provocar daños personales graves. Consulte *Datos técnicos en la página 42*.

La protección del equipo de corte evita lesiones provocadas por un objeto suelto que sale expulsado en dirección al usuario. También evita lesiones que se producen si toca el equipo de corte.



1. Realice una comprobación visual para determinar si existen daños, por ejemplo, grietas.
2. Reemplace la protección del equipo de corte si está dañada.

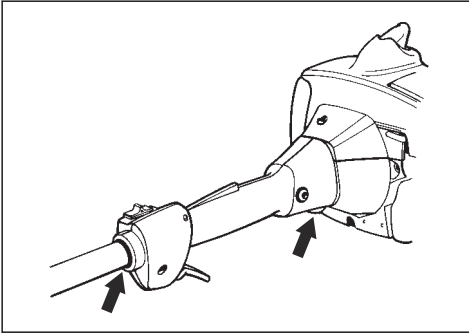
Para comprobar el sistema amortiguador de vibraciones



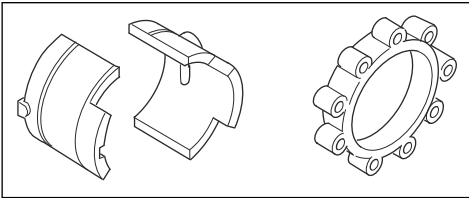
ADVERTENCIA: El uso de un hilo mal enrollado o de un equipo de corte incorrecto aumenta el nivel de vibraciones.

El sistema amortiguador de vibraciones disminuye la vibración en las manillas al mínimo, lo que facilita la operación. El sistema amortiguador de vibraciones

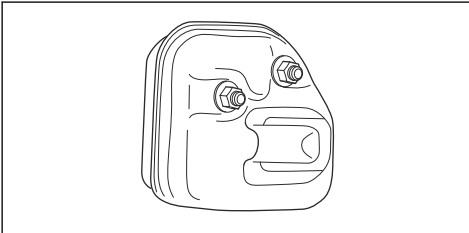
reduce de las vibraciones entre la unidad del motor y la unidad del eje.



1. Detenga el motor.
2. Realice una comprobación visual para determinar si hay deformaciones y daños, por ejemplo, grietas.
3. Asegúrese de que los amortiguadores de vibraciones estén fijados correctamente.



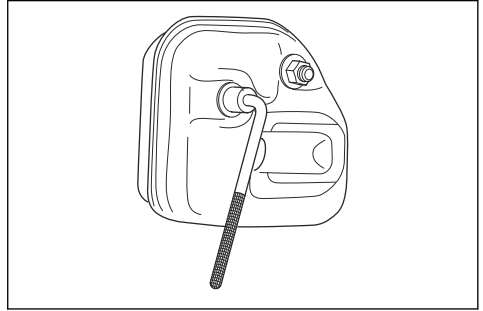
Para revisar el silenciador



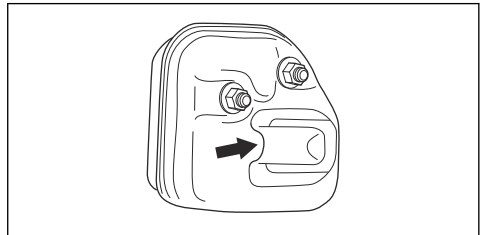
El silenciador mantiene los niveles de ruido al mínimo y dirige los gases de escape lejos del operador.

- Realice una comprobación visual para determinar si hay daños y deformaciones.

- Asegúrese de que el silenciador esté correctamente unido al producto.



- Si el silenciador de su producto tiene una rejilla apagachispas, realice una comprobación visual. Cambie la rejilla apagachispas si está dañada.
 - a) Limpie la rejilla apagachispas si está bloqueada. Una rejilla apagachispas obstruida hace que el motor se sobrecaliente y se dañe.
 - b) Asegúrese de que la red apagachispas esté montada correctamente.



Fijación y extracción de la contratuerca

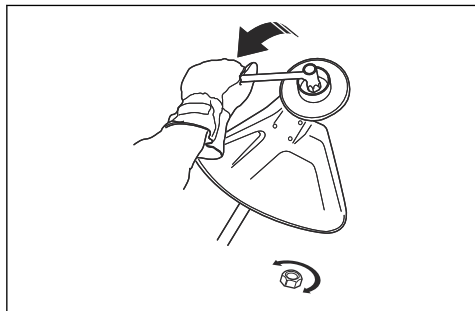


ADVERTENCIA: Pare el motor, utilice guantes protectores y tenga cuidado alrededor de los bordes afilados del equipo de corte.

Se utiliza una contratuerca para montar algunos tipos de equipos de corte. La contratuerca tiene una rosca izquierda.

- Para fijarla, apriete la contratuerca en el sentido contrario al sentido de giro del equipo de corte.
- Para quitar la contratuerca, aflojela en la misma dirección en la que gira el equipo de corte.

- Para aflojar y apretar la contratuerca, utilice una llave de cubo con mango largo. La flecha en la figura muestra el área en la que puede operar la llave de cubo.



ADVERTENCIA: Cuando se afloja y se aprieta la contratuerca, existe el riesgo de lesionarse con la hoja. Durante esta operación, siempre debe asegurarse de que la protección de la hoja le proteja la mano.

Tenga en cuenta: Asegúrese de que la contratuerca no se pueda girar de forma manual. Reemplace la tuerca si el forro de nailon no tiene una resistencia de un mínimo de 1,5 Nm. La contratuerca se debe sustituir después de haberla apretado unas 10 veces.

Equipo de corte

Seleccione el equipo de corte adecuado y realice su mantenimiento para:

- Obtener el máximo rendimiento de corte.
- Aumentar la vida útil del equipo de corte.



ADVERTENCIA: Solo use el equipo de corte con las protecciones que recomendamos. Consulte *Accesorios en la página 42*. Consulte las instrucciones del equipo de corte para conocer la forma adecuada de cargar el hilo de la recortadora y el diámetro adecuado del hilo de la recortadora.



ADVERTENCIA: Un equipo de corte defectuoso puede aumentar el riesgo de accidentes.

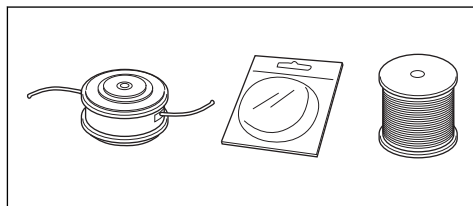


ADVERTENCIA: Siempre detenga el motor antes de trabajar en el equipo de corte. Este continúa girando después de soltar el acelerador. Asegúrese de que el equipo de corte se haya detenido completamente y desconecte el sombrerete de la bujía antes de empezar a trabajar en él.

Cabezal de corte



ADVERTENCIA: Asegúrese siempre de que el hilo de la recortadora esté enrollado de manera firme y uniforme alrededor del tambor para evitar vibraciones peligrosas.



- Utilice únicamente los cabezales de corte y los hilos de recortadora recomendados.
- Utilice únicamente los equipos de corte recomendados.
- Las máquinas más pequeñas requieren cabezales de corte pequeños y viceversa.
- La longitud del hilo de la recortadora es importante. Un hilo de recortadora más largo requiere una mayor potencia del motor que uno más corto del mismo diámetro.
- Asegúrese de que la cortadora no esté dañada en la protección de la recortadora. Esto corta el hilo de la recortadora a la longitud correcta.
- Sumerja el hilo de la recortadora en agua por un par de días antes de utilizarlo para aumentar su vida útil.

Seguridad del combustible



ADVERTENCIA: Lea atentamente las instrucciones de advertencia siguientes antes de usar el producto.

- No arranque nunca el producto si derrama combustible sobre este. Seque el derrame y deje que los restos de combustible se evaporen.
- Nunca arranque el producto si ha derramado combustible sobre sí mismo o su ropa. Cámbiese de ropa y lave la parte de su cuerpo que entró en contacto con el combustible. Utilice jabón y agua.
- Nunca arranque el producto si el producto tiene fugas de combustible. Compruebe regularmente si hay fugas en el tapón y las tuberías de combustible.
- Ponga siempre el producto en una superficie plana y asegúrese de que el equipo de corte no pueda entrar en contacto con algún objeto mientras se agrega combustible.
- Tenga cuidado cuando manipule combustible. Tenga en consideración el riesgo de incendio, explosión e intoxicación respiratoria.
- Tenga precaución al manipular el combustible y asegúrese de que haya buena ventilación. El combustible y sus vapores son altamente inflamables y pueden causar lesiones graves.

- cuando se inhalan o si entran en contacto con la piel.
- Mezcle y vierta el combustible en el exterior, donde no haya chispas ni llamas.
 - No fume ni coloque objetos calientes cerca del combustible.
 - Siempre detenga el motor y deje que se enfríe durante algunos minutos antes de rellenar con combustible.
 - Cuando rellene con combustible, abra el tapón de combustible lentamente para que toda la presión se libere suavemente.

- Apriete el tapón de combustible cuidadosamente después de rellenar con combustible.
- Limpie el área alrededor del tapón de combustible. La contaminación en el depósito puede ocasionar problemas de funcionamiento.
- Siempre mueva el producto 3 m (10 pies) o más lejos de la zona donde de la fuente de combustible y donde rellena con combustible antes de arrancar.

Instrucciones de seguridad para el mantenimiento



ADVERTENCIA: Siempre detenga el motor antes de trabajar en el equipo de corte. El equipo de corte sigue girando incluso después de soltar el acelerador. Asegúrese de que el equipo de corte esté completamente detenido y desconecte la bujía antes de empezar a trabajar en este.



ADVERTENCIA: Asegúrese de que el hilo de la recortadora esté enrollado en forma firme y uniforme al tambor; de lo contrario, el producto producirá vibraciones perjudiciales.

- Solo use el equipo de corte con las protecciones que recomendamos. Consulte *Accesorios en la página 42*.



ADVERTENCIA: Un equipo de corte defectuoso puede aumentar el riesgo de accidentes.

Montaje

Introducción



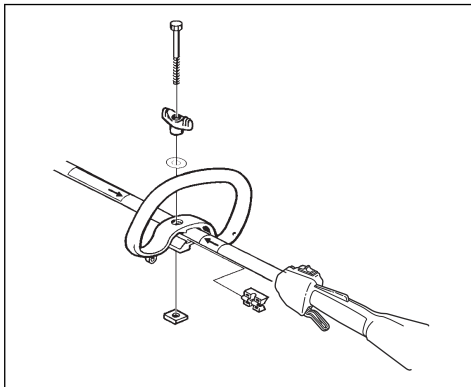
ADVERTENCIA: Antes de montar el producto, debe leer y entender el contenido del capítulo sobre seguridad.



ADVERTENCIA: Retire el cable de la bujía de la bujía antes de montar el producto.

Para conectar el mango cerrado

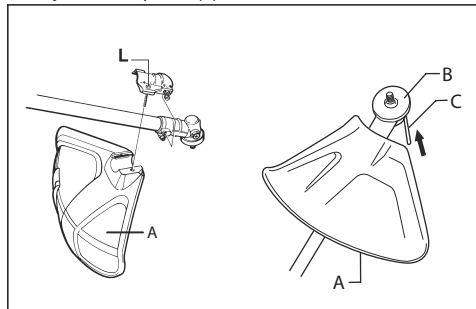
1. Coloque el mango cerrado sobre el eje, entre las flechas.



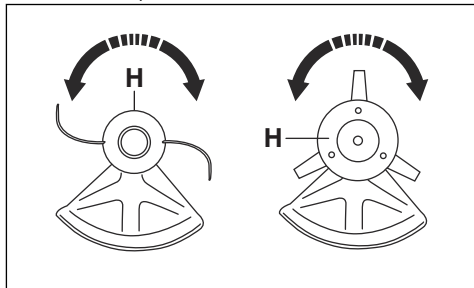
2. Coloque el separador en la ranura del mango cerrado.
3. Instale la tuerca, la perilla y el tornillo. No lo apriete completamente.
4. Ajuste el producto a una posición de funcionamiento apropiada.
5. Apriete la perilla.

Para montar la protección del equipo de corte y el cabezal de corte

1. Fije la protección del equipo de corte (A) correcta para el cabezal de corte. Consulte *Accesorios en la página 42*.
2. Coloque la protección del equipo de corte en la conexión sobre el eje.
3. Fijela con el perno (L).



4. Instale el disco de arrastre (B) en el eje de salida.
5. Gire el eje de salida hasta que uno de los orificios en el disco de arrastre se alinee con el orificio correspondiente en la caja de engranajes.
6. Coloque el pasador de bloqueo (C) en el orificio para bloquear el eje.
7. Gire el cabezal de corte/cuchillas de plástico (H) en el sentido contrario en que rotan el cabezal de corte/cuchillas de plástico.



Funcionamiento

Introducción

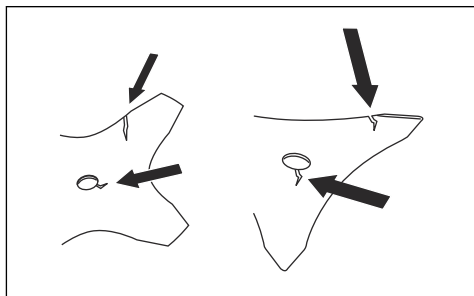


ADVERTENCIA: Antes de utilizar el producto, debe leer y entender el capítulo sobre seguridad.

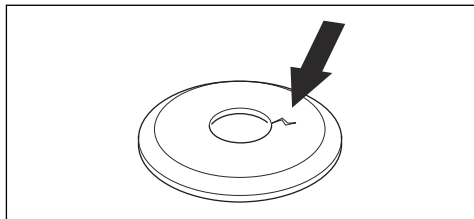
Antes de usar el producto

- Inspeccione el área de trabajo para asegurarse de que conoce el tipo de terreno, la pendiente del terreno y para notar la presencia de obstáculos como piedras, ramas y zanjas.
- Realice una inspección de reacondicionamiento del producto.
- Haga las inspecciones de seguridad, mantenimiento y servicio que figuran en este manual.
- Asegúrese de que todas las cubiertas, las protecciones, las manijas y el equipo de corte estén fijados correctamente y que no presenten daños.
- Asegúrese de que no haya grietas en la parte inferior de los dientes de la hoja para hierba ni junto

al orificio central de la hoja. Reemplace la hoja si está dañada.

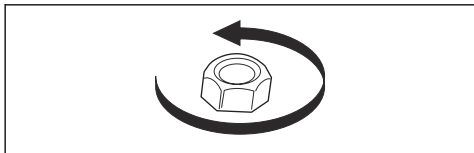


- Inspeccione la brida de apoyo en busca de grietas. Reemplace la brida de apoyo si está dañada.

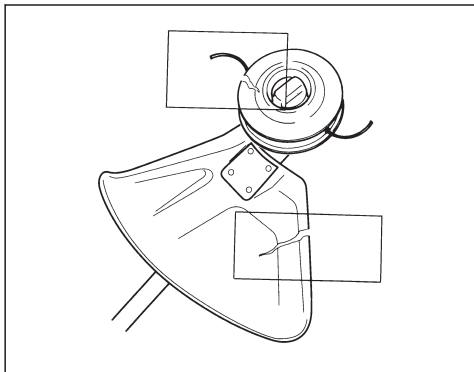


- Asegúrese de que la contratuerca no se pueda retirar manualmente. Si puede quitarla de forma

manual, no bloquea correctamente el equipo de corte y se debe reemplazar.



- Inspeccione el cabezal de corte y la protección de la recortadora para determinar si presentan daños o grietas. Reemplace el cabezal de corte y la protección de la recortadora si recibieron golpes o si presentan grietas.



Combustible

Este producto tiene un motor de cuatro tiempos.



AVISO: Usar el tipo incorrecto de combustible puede causar daños en el motor.

Gasolina

- Utilice combustible para motores de cuatro tiempos Husqvarna a fin de obtener el mejor rendimiento y prolongar la vida útil del motor. El combustible para motores de cuatro tiempos Husqvarna no se deteriora ni se oxida, lo que minimiza los intervalos de mantenimiento.
- Si el combustible para motores de cuatro tiempos Husqvarna no está disponible, utilice gasolina sin plomo de buena calidad con un 10 % como máximo de contenido de etanol.



AVISO: No utilice gasolina con un octanaje inferior a 90 RON/87 AKI. El uso de gasolina de octanaje inferior puede causar el golpeteo del motor, lo que provoca daños en el motor.

Aceite para motores de cuatro tiempos

- Revise el nivel de aceite del motor antes de arrancar el producto. Un nivel de aceite demasiado bajo puede causar daños al motor. Consulte *Para comprobar el nivel de aceite del motor en la página 36*.
- Cuando el producto es nuevo, cambie el aceite del motor después del primer mes o de las primeras 10 horas de funcionamiento.
- Utilice aceite para motores de cuatro tiempos Husqvarna a fin de maximizar el rendimiento y la vida útil del motor. Comuníquese con un taller de servicio autorizado para seleccionar el aceite del motor correcto.
- Si el aceite para motores de cuatro tiempos Husqvarna no está disponible, utilice un aceite para motores de cuatro tiempos de buena calidad con la mínima clasificación API SG. La clase de viscosidad recomendada es SAE 10W-40. Comuníquese con un taller de servicio autorizado para seleccionar el aceite correcto.



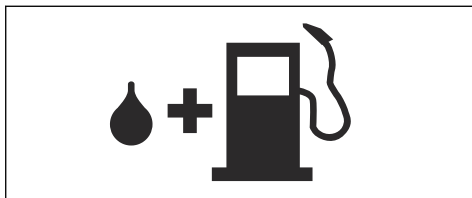
AVISO: No utilice aceite para motores de dos tiempos.

Para llenar el depósito de combustible



ADVERTENCIA: Para su seguridad, siga el procedimiento que se indica a continuación.

1. Detenga el motor y deje que se enfríe.
2. Limpie el área alrededor del tapón del depósito de combustible.



3. Retire lentamente la tapa del depósito de combustible para liberar la presión.
4. Llene el depósito de combustible.



AVISO: Asegúrese de que el depósito de combustible no esté demasiado lleno. El combustible se expande cuando se calienta.

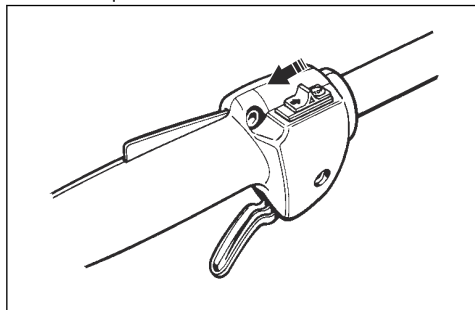
5. Apriete bien la tapa del depósito de combustible cuidadosamente.
6. Limpie los derrames de combustible en el producto y los alrededores.

7. Antes de arrancarlo, aleje el producto 3 m/10' o más del área de recarga de combustible y de la fuente de combustible.

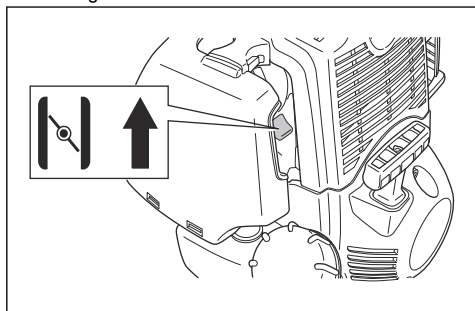
Tenga en cuenta: Para conocer la ubicación del depósito de combustible en el producto, consulte *Descripción general de la máquina en la página 24.*

Para poner en marcha el producto

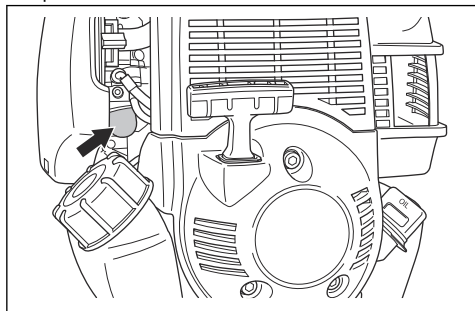
1. Mueva el interruptor de detención hacia la posición de arranque.



2. Establezca el estrangulador en la posición de estrangulamiento.

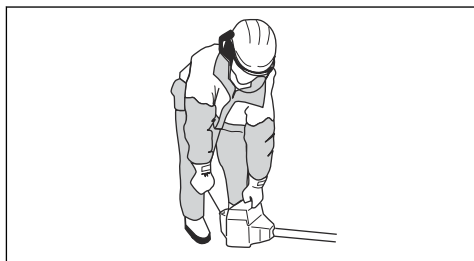


3. Presione el bulbo de la bomba de combustible hasta que el combustible comience a llenar el bulbo.



4. Sostenga el producto en el suelo.

5. Tire lentamente la empuñadura de la cuerda de arranque con la mano derecha hasta que sienta resistencia.



ADVERTENCIA: No se enrolle la cuerda de arranque en la mano.



AVISO: No tire la cuerda de arranque en toda su extensión y no suelte la empuñadura de la cuerda de arranque. Esto puede provocar daños al producto.

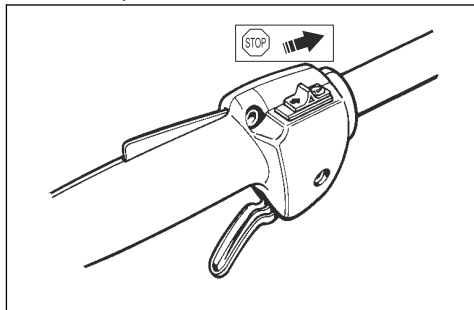
6. Tire de la empuñadura de la cuerda de arranque rápidamente y con fuerza hasta que el motor arranque.
7. Establezca el estrangulador en la posición de funcionamiento.



ADVERTENCIA: Mantenga las partes del cuerpo alejadas del sombrerete de bujía. Riesgo de quemaduras. No utilice el producto con un sombrerete de bujía dañado. Riesgo de sacudida eléctrica.

Para detener la máquina

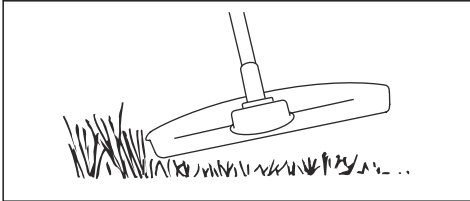
- Mueva el interruptor de detención a la posición de detención para detener el motor.



Recorte de césped con cabezal de corte

Para recortar el césped

1. Sostenga el cabezal de corte inmediatamente sobre el nivel del suelo en un ángulo. No presione el hilo de la recortadora de césped contra este último.

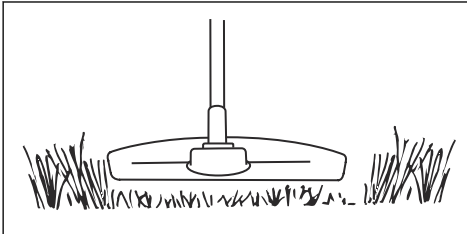


2. Disminuya la longitud del hilo de la recortadora entre 10 y 12 cm/4 y 4,75".
3. Disminuya el régimen del motor para reducir el riesgo de dañar las plantas.
4. Use una aceleración de un 80 % cuando corte el césped cerca de objetos.

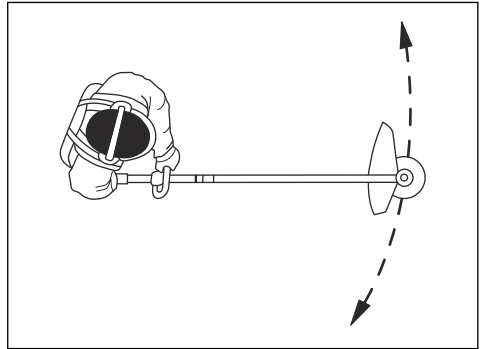


Para cortar el césped

1. Asegúrese de que el hilo de la recortadora de césped esté paralelo al suelo cuando corte.



2. No presione el cabezal de corte contra el suelo. Esto puede provocar daños al producto.
3. Mueva el producto de un lado a otro cuando corte. Utilice la máxima velocidad.



Para barrer el césped

El flujo de aire del hilo giratorio de la recortadora puede usarse para eliminar el césped cortado de una zona.

1. Mantenga el cabezal de corte y el hilo de la recortadora paralelos al suelo y por sobre él.
2. Acelere al máximo.
3. Mueva el cabezal de corte de lado a lado y barra la hierba.



ADVERTENCIA: Limpie la cubierta del cabezal de corte cada vez que monte el nuevo hilo de la recortadora para evitar desestabilizaciones y vibraciones en los manillares. También realice una comprobación de las demás piezas del cabezal de corte y límpielo si es necesario.

Mantenimiento

Introducción

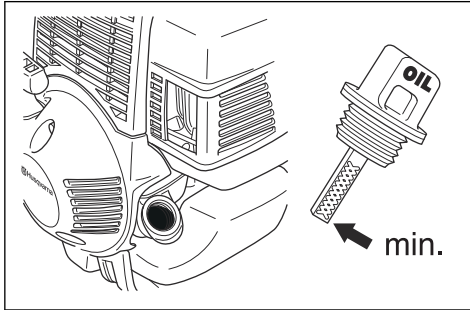


ADVERTENCIA: Antes de realizar el mantenimiento, debe leer y entender el capítulo de seguridad.

Para comprobar el nivel de aceite del motor

1. Detenga el motor y deje que se enfríe.
2. Coloque el producto en un terreno plano.

3. Limpie el área alrededor del tapón de llenado de aceite.



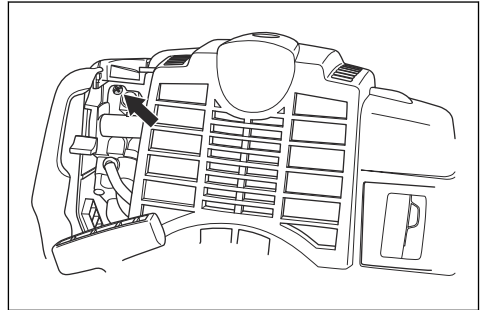
4. Retire el tapón de llenado de aceite.
5. Limpie el aceite de la varilla de nivel en el tapón de llenado de aceite.
6. Vuelva a colocar el tapón de llenado de aceite en el tubo de llenado de aceite. No apriete el tapón de llenado de aceite en este paso.
7. Extraiga el tapón de llenado de aceite y observe el nivel de aceite en la varilla de nivel.
8. Si el nivel es bajo, llene con aceite de motor hasta que llegue al borde del tubo de llenado de aceite. Utilice solamente aceite de motor recomendado. Consulte *Aceite para motores de cuatro tiempos en la página 34*.
9. Instale el tapón de llenado de aceite y apriételo completamente.

Para ajustar el régimen de ralentí

El producto Husqvarna está fabricado de conformidad con especificaciones que reducen las emisiones de gases de escape tóxicos.

1. Asegúrese de que el filtro de aire esté limpio y que la cubierta del filtro de aire esté instalada antes de ajustar el régimen de ralentí.
2. Ajuste el régimen de ralentí con el tornillo del régimen de ralentí T, que se identifica con la marca "T".

- a) Gire el tornillo de régimen de ralentí T hacia la derecha hasta que el equipo de corte comience a girar.



- b) Gire el tornillo de régimen de ralentí T hacia la izquierda hasta que el equipo de corte se detenga.



ADVERTENCIA: Si el equipo de corte no se detiene cuando ajusta el régimen de ralentí, consulte con su concesionario de mantenimiento. No utilice la máquina hasta que esté correctamente ajustada o reparada.

3. El régimen de ralentí es el correcto cuando el motor funciona correctamente en todas las posiciones. El régimen de ralentí debe ser inferior a la velocidad cuando el equipo de corte empieza a girar.

Tenga en cuenta: Consulte *Datos técnicos en la página 42* para conocer el régimen de ralentí recomendado.

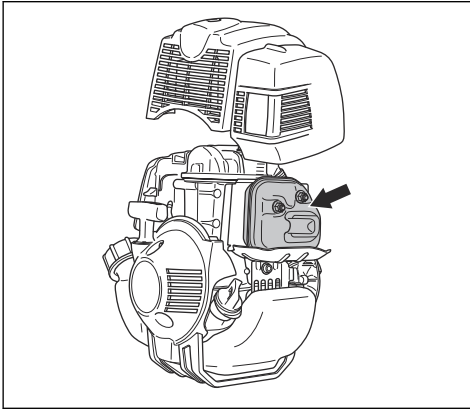
Para realizar tareas de mantenimiento en el silenciador



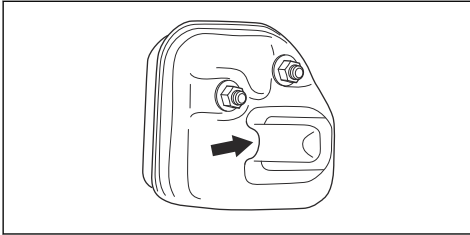
ADVERTENCIA: El silenciador reduce el nivel de ruido y dirige los gases de escape lejos del operador. Los gases de escape están calientes y pueden contener chispas. Esto puede causar un incendio si se dirigen hacia material seco e inflamable.



ADVERTENCIA: Los silenciadores con catalizador se calientan durante la operación. Riesgo de quemaduras o incendios. Esto también se aplica al régimen de ralentí. Para examinar si el producto tiene un catalizador, consulte *Datos técnicos en la página 42*.



1. Detenga el motor y deje que el silenciador se enfríe.
2. Quite la cubierta del silenciador.
3. Si el silenciador de su producto tiene una rejilla apagachispas, realice las siguientes acciones:
 - a) Realice una inspección visual. Cambie la rejilla apagachispas si está dañada.
 - b) Limpie la rejilla apagachispas si está bloqueada. Realice una limpieza semanal si el producto tiene un catalizador. Realice una limpieza mensual si el producto no cuenta con un catalizador.



AVISO: Una rejilla apagachispas obstruida hace que el motor se sobrecaliente y se dañe.

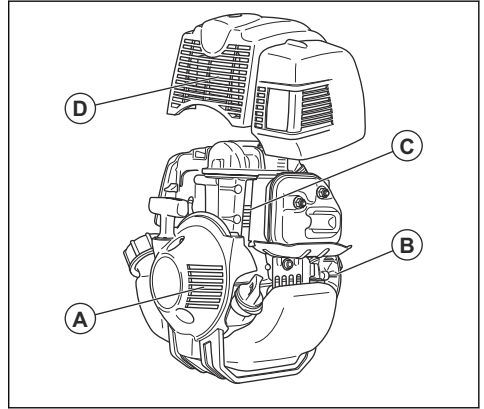


AVISO: Si la rejilla apagachispas se bloquea con frecuencia, puede ser indicio de que el rendimiento del catalizador disminuyó. Comuníquese con su concesionario de servicio para examinar el silenciador. Una rejilla apagachispas obstruida produce sobrecalentamiento y causa daños en el cilindro y el pistón.

Para limpiar el sistema de refrigeración

Las piezas del sistema refrigerante corresponden a la toma de aire en el motor de arranque (A), las aletas del

volante (B), las aletas de refrigeración del cilindro (C) y la cubierta del cilindro (D).



1. Limpie el sistema de refrigeración con un cepillo semanalmente o con mayor frecuencia si es necesario.
2. Asegúrese de que el sistema refrigerante no esté sucio ni obstruido.



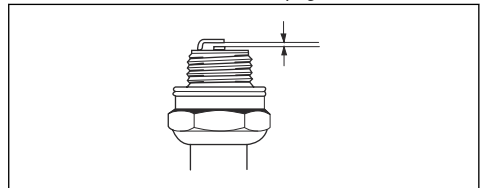
AVISO: Un sistema refrigerante sucio o bloqueado puede producir el sobrecalentamiento del producto, y dañarlo.

Para examinar la bujía



AVISO: Utilice siempre el tipo de bujía recomendada. El tipo de bujía incorrecto puede causar daños en el producto.

- Examine la bujía si el motor tiene una potencia demasiado baja, no arranca fácilmente o no funciona correctamente al régimen de ralentí.
- Para disminuir el riesgo de material no deseado en los electrodos de la bujía, siga estas instrucciones:
 - a) Asegúrese de que el régimen de ralentí esté ajustado correctamente.
 - b) Asegúrese de que la mezcla de combustible es la correcta.
 - c) Asegúrese de que el filtro de aire esté limpio.
- Si la bujía está sucia, límpiela y asegúrese de que la distancia entre los electrodos sea la correcta, consulte *Datos técnicos en la página 42*.



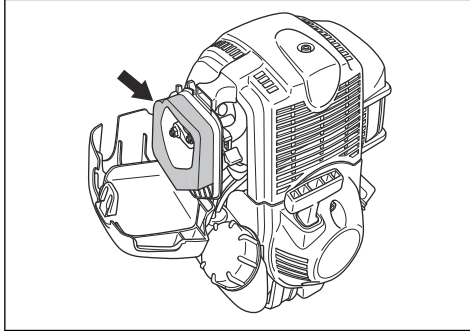
- Reemplace la bujía si es necesario.

Para limpiar el filtro de aire

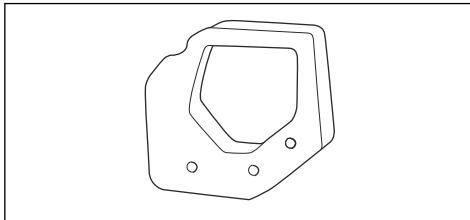


AVISO: Siempre se debe reemplazar un filtro de aire que está dañado, sucio o mojado con combustible.

Un filtro de aire que se utiliza durante mucho tiempo no se puede limpiar completamente. Sustituya el filtro de aire periódicamente, al igual que cuando presente defectos.



1. Mueva la palanca del estrangulador hacia arriba, para cerrar la válvula estranguladora.
2. Quite la cubierta del filtro de aire y retire el filtro de aire.



3. Limpie el filtro de aire con agua jabonosa caliente.
4. Limpie la superficie interior de la cubierta del filtro de aire. Utilice aire o un cepillo.
5. Verifique la superficie de la junta de goma. Cambie el filtro de la junta de goma si está dañado.
6. Asegúrese de que el filtro esté seco antes de instalarlo.

Para aplicar aceite en el filtro de aire de espuma

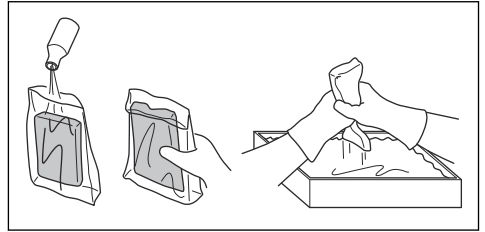


AVISO: Utilice siempre aceite especial Husqvarna para filtros de aire. No utilice otros tipos de aceite.



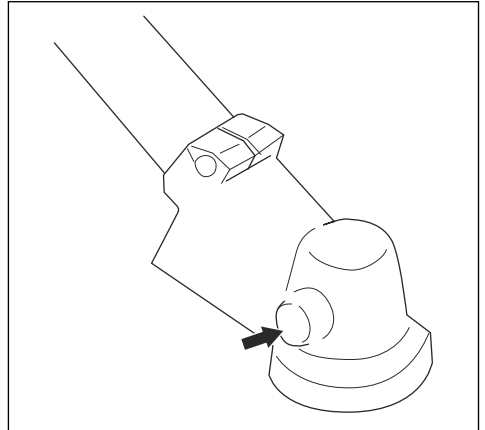
ADVERTENCIA: Utilice guantes protectores. El aceite del filtro de aire puede provocar irritación en la piel.

1. Coloque el filtro de aire de espuma en una bolsa de plástico.
2. Coloque el aceite en la bolsa de plástico.
3. Frote la bolsa de plástico para distribuir el aceite de manera uniforme en el filtro de aire de espuma.
4. Quite el aceite no deseado del filtro de aire de espuma mientras esté en la bolsa de plástico.



Engranaje angulado

El engranaje angulado se llena a $\frac{3}{4}$ con grasa en la fábrica. Antes de utilizar el producto, asegúrese de que el nivel de grasa no haya cambiado. Utilice la grasa especial Husqvarna si es necesario rellenar. No cambie la grasa del engranaje angulado. Deje que el personal de servicio realice la reparación del engranaje angulado.



Programa de mantenimiento

La siguiente es una lista de pasos de mantenimiento que se deben realizar en la máquina. La mayoría de los puntos se describen en *Mantenimiento en la página 36*

Tenga en cuenta: El usuario solo debe llevar a cabo el trabajo de mantenimiento y servicio descrito en este manual de usuario. Un taller de servicio autorizado se debe encargar de realizar una labor más amplia.

Mantenimiento	Diario	Una vez por semana	Una vez por mes
Limpie la superficie externa.	X		
Asegúrese de que el bloqueador del acelerador y el acelerador funcionen correctamente en términos de seguridad.	X		
Verifique el interruptor de detención para asegurarse de que funcione correctamente.	X		
Asegúrese de que el equipo de corte no gire en régimen de ralentí.	X		
Limpie el filtro de aire. Cámbiela si fuera necesario.	X		
Examine la protección del equipo de corte en busca de daños y grietas. Reemplace la protección si se ha golpeado o está agrietada.	X		
Revise el cabezal de corte en busca de daños y grietas. Sustitúyalo si está dañado.	X		
Asegúrese de que las tuercas y los tornillos estén apretados.	X		
Examine el motor, el depósito de combustible y los conductos de combustible para determinar si hay fugas.	X		
Limpie el sistema de refrigeración.		X	
Examine el arranque y la cuerda de arranque en busca de daños.		X	
Examine los aisladores de vibraciones en busca de daños y grietas.		X	
Limpie el lado exterior de la bujía. Retírela y revise la distancia entre los electrodos. Ajuste la distancia a la distancia correcta (consulte <i>Para examinar la bujía en la página 38</i>) o cambie la bujía. Asegúrese de que la bujía está equipada con un regulador.		X	
Limpie el exterior del carburador y el espacio que lo rodea.		X	
Verifique el engranaje angulado para asegurarse de que está lleno tres cuartos con lubricante. Use grasa especial para llenar si es necesario.		X	
Limpie o cambie la red apagachispas del silenciador (solo se aplica al silenciador sin catalizador).		X	
Verifique si hay contaminación del filtro de combustible y si hay grietas u otros defectos en la manguera de combustible. Cámbielos si fuera necesario.			X
Revise todos los cables y las conexiones.			X
Revise si el embrague, los muelles de embrague y el tambor de embrague presentan desgaste. Reemplácelos si es necesario en un taller de servicio oficial.			X
Reemplace la bujía. Asegúrese de que la bujía está equipada con un regulador.			X
Revise y limpie la red apagachispas del silenciador (solo se aplica al silenciador sin catalizador).			X

Solución de problemas

El motor no arranca

Verificar	Causa posible	Procedimiento
Interruptor de detención	El interruptor de detención está en la posición de detención.	Mueva el interruptor de detención hacia la posición de arranque.
Ganchos de arranque	Los ganchos de arranque no se pueden mover libremente.	Retire la cubierta del arranque y limpie alrededor de los ganchos de arranque.
		Permita que un taller de servicio aprobado lo ayude.
Depósito de combustible	Tipo de combustible incorrecto	Vacíe el depósito de combustible y llénelo con combustible correcto.
Bujía	La bujía está sucia o mojada.	Asegúrese de que la bujía esté limpia y seca.
	La distancia entre los electrodos de la bujía es incorrecta.	Limpie la bujía. Asegúrese de que la distancia entre los electrodos sea la correcta. Asegúrese de que la bujía está equipada con un supresor.
		Consulte los datos técnicos para comprobar la distancia entre los electrodos.
	La bujía está floja.	Ajuste la bujía.

El motor arranca, pero se detiene de nuevo.

Verificar	Causa posible	Procedimiento
Depósito de combustible	Tipo de combustible incorrecto	Vacíe el depósito de combustible y rellénelo con el combustible correcto.
Filtro de aire.	El filtro de aire está obstruido.	Limpie el filtro de aire.

Transporte y almacenamiento

Transporte y almacenamiento

- Siempre deje que el producto se enfríe antes de guardarlo.
- Para el almacenamiento y el transporte del producto y del combustible, asegúrese de que no haya fugas o vapores. Las chispas o llamas, por ejemplo, de dispositivos eléctricos o calderas, pueden iniciar un incendio.
- Siempre use contenedores aprobados para el almacenamiento y el transporte del combustible.
- Vacíe el combustible antes de un almacenamiento prolongado. Deseche el combustible en un lugar adecuado para tal propósito.
- Fije la protección para transportes durante el transporte y almacenamiento.
- Quite el sombrerete de bujía de la bujía.
- Fije el producto durante el transporte. Asegúrese de que no se mueva.
- Limpie y realice mantenimiento en el producto antes de almacenarlo durante un periodo prolongado.

Datos técnicos

	324L
Motor	
Cilindrada, cm ³ /pulg. cúb	25/1,53
Régimen de ralentí, rpm	3100
Velocidad máxima recomendada, rpm	12000
Potencia máxima del motor, según la norma ISO 8893, kW/hp a rpm	0,7/7000
Silenciador con catalizador	No
Velocidad de eje de salida, rpm	8220
Sistema de encendido	
Bujía	NGK CMR5H
Distancia entre los electrodos, mm/pulg.	0,6/0,024
Sistema de combustible	
Capacidad del depósito de combustible, pinta EE. UU./l	1,16/0,55
Peso	
Peso, kg/lb	5,0/11,0

Accesorios

Accesorios

Los accesorios utilizados en combinación con los cabezales especificados han sido sometidos a evaluaciones según los requisitos de seguridad ANSI B175.3-2013 para recortadoras de césped y quita

arbustos. Underwriters Laboratories Inc. (UL) realizó las evaluaciones de las combinaciones y tienen sus correspondientes homologaciones.

324L		
Accesorios aprobados	Tipo	Protección del equipo de corte, art. n.º
Rosca del eje de la hoja M10		
Cabezal de corte	S35 (hilo de Ø 2,4-3,0 mm)	588 54 37-01/588 11 79-01
	T25 (hilo de Ø 2,0 - 2,7 mm)	588 54 37-01/588 11 79-01
	T35, T35x (hilo de Ø 2,4-3,0 mm)	588 54 37-01/588 11 79-01
	Aleación (hilo de Ø 2,0-3,3 mm)	588 54 37-01/588 11 79-01

Garantía

DECLARACIÓN DE GARANTÍA DEL CONTROL DE EMISIONES DE VAPORES Y DE ESCAPE CONFORME A LA NORMATIVA DE CALIFORNIA, LA NORMATIVA FEDERAL DE LOS ESTADOS UNIDOS Y LA NORMATIVA DE CANADÁ

DERECHOS Y OBLIGACIONES DE LA GARANTÍA

La Junta de Recursos del Aire de California (CARB, del inglés California Air Resources Board), la Agencia de Protección Medioambiental de EE. UU. (EPA, del inglés Environmental Protection Agency), el ministerio de Medioambiente y Cambio Climático de Canadá Husqvarna Professional Products, Inc. se complacen en profundizar sobre la garantía del sistema de control de emisiones de vapores y de escape ("emisiones") para 2019-2020 motores pequeños para todoterreno". En el estado de California, los nuevos equipos que utilizan motores pequeños para todoterreno se deben diseñar, construir y equipar conforme a las estrictas normas de control de emisiones contaminantes del Estado. Husqvarna Professional Products, Inc. debe proporcionar una garantía para el sistema de control de emisiones del motor pequeño para todoterreno por los períodos que se indican a continuación, siempre que no haya ningún abuso, negligencia ni mantenimiento incorrecto del motor pequeño para todoterreno o del equipo que pueda provocar la falla del sistema de control de emisiones. El sistema de control de emisiones puede incluir piezas como un carburador o un sistema de inyección de combustible, un sistema de encendido, un catalizador, depósitos de combustible, tuberías de combustible (para combustible líquido y vapores de combustible), tapones de combustible, válvulas, depósitos, filtros, abrazaderas y otros componentes asociados. Además, puede incluir mangueras, correas, conectores y otros montajes relacionados con las emisiones. Cuando exista una condición cubierta por la garantía, Husqvarna Professional Products, Inc. reparará el motor de pequeña cilindrada para todoterreno sin costo, incluido el diagnóstico, las piezas y la mano de obra.

COBERTURA DE LA GARANTÍA DEL FABRICANTE

El sistema de control de emisiones de vapores y de escape del motor pequeño para todoterreno tiene una garantía de dos años. Si alguna de las piezas del motor de pequeña cilindrada para todoterreno relacionada con las emisiones tiene una falla, Husqvarna Professional Products, Inc. reparará o reemplazará la pieza.

RESPONSABILIDADES DE GARANTÍA DEL PROPIETARIO

- Como propietario del motor pequeño para todoterreno, usted es responsable de la ejecución del mantenimiento necesario que se detalla en el manual del propietario. Husqvarna Professional Products, Inc. recomienda que conserve todos los recibos que cubran el mantenimiento del motor pequeño para todoterreno; sin embargo, Husqvarna Professional Products, Inc. no puede negar la cobertura de la garantía solo por la falta de recibos o porque no pueda garantizar la realización de todo el mantenimiento programado.
- No obstante, como propietario del motor de pequeña cilindrada para uso fuera de carretera debe saber que Husqvarna Professional Products, Inc. puede negar la cobertura de la garantía si dicho motor o una de sus piezas falló como resultado del abuso, negligencia o mantenimiento incorrecto, o modificaciones no aprobadas.
- Usted es responsable de llevar el motor de pequeña cilindrada para uso fuera de carretera a un concesionario de servicio Husqvarna Professional Products, Inc. autorizado lo antes posible en cuanto surja un problema. Las reparaciones bajo garantía se deben realizar dentro de un tiempo razonable que no supere los 30 días. Si tiene preguntas acerca de los derechos y las responsabilidades que implica esta garantía, debe comunicarse con Husqvarna Professional Products, Inc. en EE. UU. al 1-800-487-5951, en CANADÁ al 1-800-805-5523 o enviar un correo electrónico a emissions@husqvarnagroup.com o warranty@hpp-emissions.com.

FECHA DE INICIO DE LA GARANTÍA

El período de garantía comienza en el momento en que se entrega el motor o equipo al comprador final.

EXTENSIÓN DE LA COBERTURA

Husqvarna Professional Products, Inc. le garantiza al comprador final y a cualquier comprador posterior que el motor, así como el equipo, se diseñaron, construyeron y equiparon para que cumplan con las normativas pertinentes adoptadas por la CARB y la EPA, y que está libre de defectos en cuanto a materiales y mano de obra que causen la falla de una pieza cubierta por la garantía durante un período de dos años.

ELEMENTOS CON COBERTURA

REPARACIÓN O REEMPLAZO DE PIEZAS: La reparación o el reemplazo de cualquier pieza defectuosa en garantía se realizará sin cargo para el propietario en un taller de servicio autorizado. El propietario puede elegir el taller de reparación o una persona que realice los servicios de mantenimiento, reemplazo o reparación de los dispositivos y sistemas de control de emisiones, con excepción de las reparaciones y el reemplazo detallados en esta garantía de control de emisiones. Sin embargo, Husqvarna

Professional Products, Inc. recomienda que un taller de servicio autorizado de la marca realice todos los servicios de mantenimiento, reemplazo y reparación de los dispositivos y sistemas de control de emisiones.

IMPORTANTE: Este producto cumple con la normativa Fase 3 de la EPA (Environmental Protection Agency, Agencia de Protección Medioambiental) de EE. UU. referente a emisiones de escape y evaporación. Para garantizar el cumplimiento de la EPA Fase 3 de EE. UU. y con las regulaciones de la Junta de Recursos del Aire de California (California Air Resources Board) y del ministerio de Medioambiente y Cambio Climático de Canadá (Environment and Climate Change Canada), recomendamos utilizar únicamente piezas de repuesto originales de la marca del producto. El uso de piezas de repuesto que no cumplan con esta norma es una violación de las leyes federales y estatales.

PERÍODO DE GARANTÍA: Cualquier pieza cubierta por la garantía que no esté programada para reemplazo como mantenimiento necesario, o que esté programada solo para una inspección regular al efecto de "reparación o reemplazo según sea necesario", contará con una garantía de 2 años (o la duración establecida en la garantía del producto, lo que sea mayor) desde la fecha de compra del comprador original. Toda pieza que esté programada para su sustitución como parte del mantenimiento necesario estará garantizada por el período hasta la primera sustitución programada de la pieza. Cualquier pieza reparada o sustituida en conformidad con la garantía debe estar garantizada durante el lapso restante del período.

DIAGNÓSTICO: No se aplicarán tarifas por los trabajos de diagnóstico que lleven a determinar que una pieza bajo garantía se encuentra de hecho defectuosa, siempre y cuando dicho trabajo de diagnóstico se realice en un taller de servicio autorizado de la marca.

OTROS DAÑOS: Husqvarna Professional Products, Inc. reparará los daños a otros componentes del motor causados por la falla de una pieza garantizada que aún se encuentre cubierta por la garantía.

LISTADO DE PIEZAS DE EMISIONES CUBIERTAS POR LA GARANTÍA

1. Carburador y piezas de admisión o sistemas de inyección de combustible.
2. Filtro de aire y filtro de combustible, cubiertos hasta el programa de mantenimiento.
3. Bujía, cubierta hasta el programa de mantenimiento.
4. Módulo de ignición.
5. Silenciadores con catalizadores y colectores de escape.
6. Depósito de combustible, tuberías de combustible (para combustible líquido y vapores de combustible), tapón de combustible, depósito de carbono y válvulas de seguridad o antiderrame, según corresponda**.
7. Controles electrónicos, y válvulas e interruptores susceptibles al tiempo, la temperatura y la succión.
8. Mangueras, conectores y montajes.

9. Todos los otros componentes cuya falla aumentaría las emisiones de vapores y de escape del motor de cualquier contaminante reglamentado, como se establece en la siguiente sección:

- En el caso del estado de California, consulte el California Code of Regulation (Código de Regulaciones de California) 13 CCR §2405(d) y 2760(d).
- Para los Estados Unidos y Canadá, consulte el US Federal Code of Regulations (Código de disposiciones federales de los Estados Unidos), 40 C.F.R 1068, Anexo I (III).

ELEMENTOS SIN COBERTURA

Las fallas causadas por abuso, negligencia, modificaciones no aprobadas, mal uso o mantenimiento incorrecto no están cubiertas por la garantía.

AÑADIDURAS O PIEZAS MODIFICADAS: No pueden utilizarse las añadiduras o piezas modificadas no exentas por la CARB o la EPA. La utilización de añadiduras o de piezas modificadas no exentas podrá servir de fundamento para anular una reclamación de garantía. Husqvarna Professional Products, Inc. no será responsable de las fallas de garantía de las piezas garantizadas provocadas por el uso de complementos o piezas modificadas no exentas.

CÓMO PRESENTAR UNA RECLAMACIÓN

Si tiene preguntas relacionadas con sus derechos y responsabilidades de la garantía, deberá comunicarse con su concesionario de servicio autorizado más cercano o llamar a Husqvarna Professional Products, Inc. en EE. UU. al 1-800-487-5951, en CANADÁ al 1-800-805-5523 o enviar un correo electrónico a emissions@husqvarnagroup.com o warranty@hpp-emissions.com.

DÓNDE OBTENER SERVICIOS DE LA GARANTÍA

Las reparaciones o los servicios de la garantía se brindan a través de todos los talleres de servicio autorizados de Husqvarna Professional Products, Inc.. Si el taller de servicio autorizado más cercano se encuentra a más de 160 kilómetros (100 millas) de su ubicación, Husqvarna Professional Products, Inc. se encargará de organizar y pagar los costos de envío al taller de servicio autorizado de la marca, y desde este, o dispondrá un servicio de garantía en conformidad con las normativas correspondientes.

MANTENIMIENTO, REEMPLAZO Y REPARACIÓN DE PIEZAS RELACIONADAS CON EL CONTROL DE EMISIONES

Cualquier pieza para sustituir una defectuosa puede utilizarse en cualquier mantenimiento o reparación bajo garantía y deben proporcionarse al propietario sin cargo. Dicho uso no reducirá las obligaciones de la garantía por parte del fabricante.

DECLARACIÓN DE MANTENIMIENTO

El propietario es responsable de la realización de todo el mantenimiento requerido, según se establece en el manual del propietario.

* El año del modelo actual y subsiguiente se actualizará anualmente en la declaración de garantía proporcionada al consumidor. Por ejemplo, en el año del modelo 2012, se especificará 2012-2013.

** Piezas de emisiones evaporativas.

Table des matières

Introduction.....	46	Dépannage.....	63
Sécurité.....	48	Transport et entreposage.....	64
Consignes de sécurité pour la maintenance.....	54	Données techniques.....	64
Montage.....	55	Accessoires.....	65
Fonctionnement.....	56	Garantie.....	66
Entretien.....	59		

Introduction

Description du produit

Le produit est un coupe-herbe avec moteur à combustion.

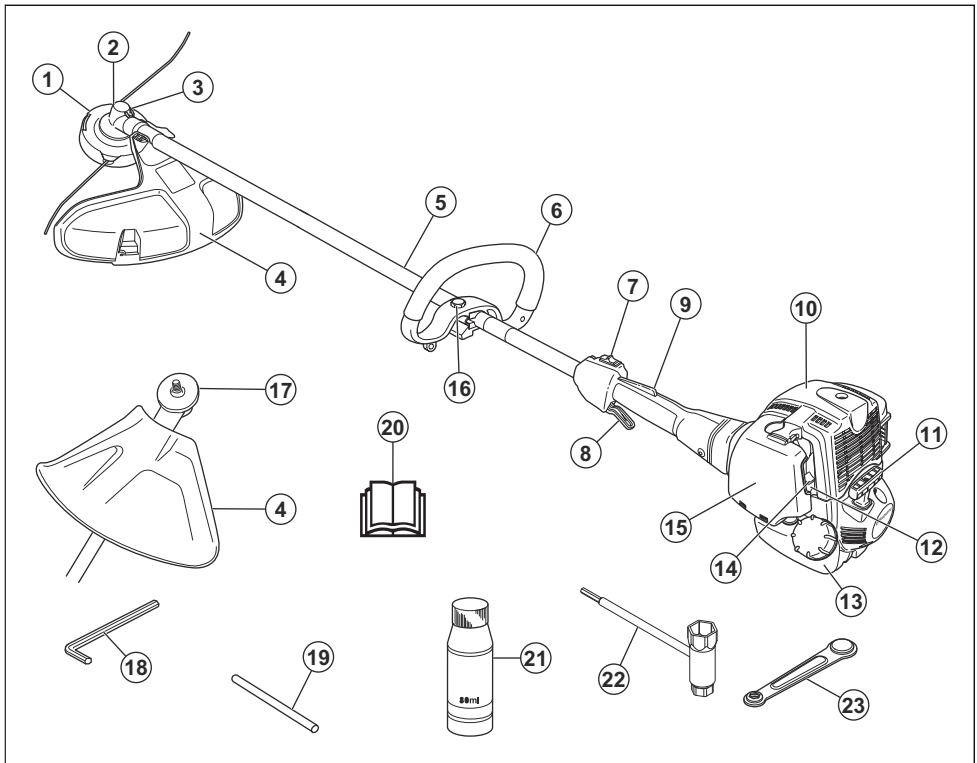
Le travail est constamment en cours pour augmenter votre sécurité et l'efficacité pendant l'utilisation. Pour obtenir de plus amples renseignements, communiquer avec votre centre de services.

Utilisation prévue

Le produit est utilisé avec une tête de coupe pour couper l'herbe. Ne pas utiliser le produit pour des tâches autres que la coupe d'herbe.

Remarque : Les réglementations nationales peuvent limiter l'utilisation du produit.

Présentation de l'appareil



1. Tête de désherbage
2. Pignon conique
3. Bouchon de remplissage de graisse
4. Dispositif de protection de l'outil de coupe
5. Arbre
6. Poignée de boucle
7. Interrupteur d'arrêt
8. Commande des gaz
9. Dispositif de verrouillage de la gâchette de l'accélérateur
10. Couvercle de vérin
11. Corde du lanceur
12. Pompe de purge d'air
13. Réservoir de carburant
14. Commande de l'étrangleur
15. Couvercle du filtre à air
16. Ajustement du guidon
17. Disque d'entraînement
18. Clé hexagonale
19. Goupille de blocage
20. Manuel d'utilisation
21. Huile
22. Clé à usages multiples
23. Clé

Symboles figurant sur la machine



Faire attention et utiliser le produit correctement. Cet outil peut causer des blessures graves, ou même mortelles, à l'utilisateur et à d'autres personnes.



Lire soigneusement le manuel d'instructions et veiller à bien comprendre les directives avant d'utiliser cette machine.



Utiliser un casque de protection dans les endroits où des objets peuvent tomber sur vous. Utiliser un dispositif de protection homologué pour les oreilles. Utiliser un dispositif de protection homologué pour les yeux.



Utiliser des gants de protection homologués.



Utiliser des bottes antidérapantes robustes.



L'outil peut engendrer des projections d'objets, ce qui peut causer des blessures.



Vitesse de rotation maximale de l'arbre de sortie.



Tenir les personnes et les animaux à une distance minimale de 15 m pendant l'utilisation du produit.



Utiliser seulement du fil de coupe flexible. N'utilisez pas d'équipement de coupe de métaux pour la tonte de l'herbe.



Les flèches indiquent la limite de position du guidon.



Pompe de purge d'air.



Volet de départ.



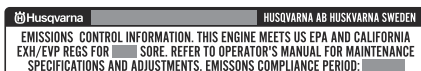
Carburant.

yyyywwxxxx

La plaque signalétique indique le numéro de série. **yyyy** représente l'année de production, **ww** indique la semaine de production.

Remarque : Les autres symboles et autocollants apposés sur le produit se rapportent aux exigences en matière de certification pour certains marchés.

EPA III



La période de conformité aux réglementations antipollution de l'autocollant de conformité d'émissions indique le nombre nominal d'heures de fonctionnement du moteur conformément aux réglementations du gouvernement fédéral américain et de la Californie.

Proposition 65 de la Californie

WARNING!

The engine exhaust from this product contains chemicals known to the State of California to cause cancer, birth defects or other reproductive harm.

Sécurité

Définitions relatives à la sécurité

Les avertissements, recommandations et remarques soulignent des points du manuel qui revêtent une importance particulière.



AVERTISSEMENT: Indique la présence d'un risque de blessure ou de décès de l'utilisateur ou de personnes à proximité si les instructions du manuel ne sont pas suivies.



MISE EN GARDE : Indique la présence d'un risque de dommages au produit, à d'autres appareils ou à la zone adjacente si les instructions du manuel ne sont pas suivies.

Remarque : Utilisé pour donner des renseignements plus détaillés qui sont nécessaires dans une situation donnée.

Consignes générales de sécurité



AVERTISSEMENT: Lire les messages d'avertissement qui suivent avant d'utiliser l'outil.

- Une scie d'éclaircissement, un coupe-herbes ou un taille-haie peuvent être dangereux s'ils sont utilisés avec négligence ou de manière incorrecte et peuvent entraîner des blessures graves ou mortelles pour l'opérateur ou d'autres personnes. Il est extrêmement important de lire et de comprendre le contenu de ce manuel de l'opérateur.
- La conception du produit ne peut en aucun cas être modifiée sans l'autorisation du fabricant. Ne jamais utiliser un produit qui a été modifié de quelque manière que ce soit par rapport aux spécifications d'origine et toujours utiliser des accessoires d'origine. Les modifications et/ou les accessoires non autorisés peuvent entraîner des blessures

graves ou la mort de l'opérateur ou d'autres personnes.

- L'intérieur du silencieux contient des produits chimiques pouvant être cancérigènes. Éviter tout contact avec ces éléments si le silencieux est endommagé.
- Ce produit produit un champ électromagnétique pendant le fonctionnement. Ce champ magnétique peut, dans certains cas, nuire aux implants médicaux actifs ou passifs. Pour réduire le risque de blessures graves ou mortelles, nous recommandons aux personnes ayant des implants médicaux de consulter leur médecin et le fabricant de l'implant médical avant d'utiliser le produit.

Consignes de sécurité pour l'utilisation



AVERTISSEMENT: Lire les messages d'avertissement qui suivent avant d'utiliser l'appareil.

- Il est essentiel de comprendre la différence entre le débroussaillage et le désherbage avant d'utiliser l'outil.
- Il est recommandé de consulter un expert en cas de doute. Communiquer avec votre concessionnaire ou votre atelier d'entretien. Éviter toutes les utilisations qui vous semblent difficiles.
- Ne jamais utiliser un produit défectueux. Effectuer les vérifications de sécurité, de maintenance et d'entretien conformément aux instructions fournies dans ce manuel. Certaines mesures de maintenance et d'entretien doivent être effectuées par des spécialistes formés et qualifiés. Se reporter à la section *Entretien à la page 59*.
- Tous les couvercles, toutes les protections et toutes les poignées doivent être montés avant de démarrer le produit. S'assurer que le capuchon de la bougie d'allumage et le fil d'allumage ne sont pas endommagés, afin d'éviter le risque de décharge électrique.
- Ne jamais utiliser le produit sous l'effet de la fatigue, sous l'influence de l'alcool, de drogues, de

médicaments ou de toute substance qui pourrait affecter la vision, l'attention, la coordination des gestes ou le jugement.

- Ne pas utiliser le produit par mauvais temps, y compris dans un brouillard épais, sous une pluie diluvienne, dans des endroits fortement venteux et en cas de froid intense, etc. Travailler par mauvais temps est éprouvant et ajoute des risques comme un sol glissant et la difficulté de prévoir le sens de chute, etc.
- Les seuls accessoires qui peuvent être utilisés avec cette unité à moteur sont les outils de coupe recommandés. Se reporter à la section *Accessoires* à la page 65.
- Ne jamais laisser des enfants utiliser le produit ou se tenir à proximité de celui-ci. Puisque le produit est équipé d'un interrupteur de marche-arrêt à ressort et peut être démarré à bas régime ou en exerçant une légère force sur la poignée du lanceur, même des jeunes enfants dans certaines circonstances peuvent produire la force nécessaire pour démarrer le produit. Cela peut entraîner un risque de graves blessures. Par conséquent, retirer le capuchon de la bougie d'allumage lorsque le produit n'est pas sous une surveillance stricte.
- L'utilisation d'un moteur dans un endroit clos ou mal ventilé peut entraîner la mort par asphyxie ou l'intoxication au monoxyde de carbone.
- L'ensemble couvercle d'embrayage et arbre au complet doit être monté avant le démarrage du produit, sinon, l'embrayage peut se défaire et provoquer des blessures.
- S'assurer qu'aucune personne ni aucun animal ne s'approche à moins de 15 m pendant le travail. Lorsque plusieurs opérateurs travaillent dans la même zone, la distance de sécurité doit être d'au moins quinze mètres. Le non-respect de cette directive peut entraîner de graves blessures. Arrêter le produit immédiatement si une personne s'approche. Ne jamais balancer le produit sans d'abord jeter un coup d'œil derrière pour s'assurer que personne ne se trouve dans la zone de sécurité.
- S'assurer qu'aucune personne ni aucun animal ou objet quelconque ne gêne le contrôle du produit ou n'entre en contact avec l'outil de coupe ou des objets projetés par l'outil de coupe. Toutefois, ne pas utiliser le produit s'il est impossible d'appeler de l'aide en cas d'accident.
- Toujours inspecter la zone de travail. Retirer tous les objets mobiles tels que les pierres, le verre cassé, les clous, les fils de fer, les cordes, etc. qui pourraient être projetés ou s'enrouler autour de l'outil de coupe.
- S'assurer qu'il est possible de se déplacer et de se tenir debout en toute sécurité. Repérer les obstacles éventuels (racines, roches, branches, fossés, etc.)

en cas de déplacement imprévu. Faire très attention lors du travail sur une pente.



- Se tenir bien campé et en parfait équilibre. Ne pas trop se pencher en avant.
- Toujours tenir le produit des deux mains. Tenir l'appareil sur le côté droit du corps.
- Tenir l'outil de coupe sous la taille de l'utilisateur.
- Couper le moteur avant de passer à une autre zone. Mettre en place le fourreau de transport avant de porter ou de transporter l'équipement sur n'importe quelle distance.
- Ne jamais déposer l'outil quand le moteur marche à moins de l'avoir sous les yeux.
- Arrêter le moteur et l'outil de coupe avant de retirer l'herbe enroulée autour de l'axe de lame. L'utilisateur du produit ni qui que ce soit ne doit essayer de retirer l'herbe coupée tant que le moteur est en marche ou que l'équipement de coupe tourne, sous peine de blessures graves. Le pignon conique peut être très chaud en cours d'utilisation et rester chaud pendant un certain temps après l'utilisation. Vous pourriez être brûlé si vous le touchez.
- Faire preuve de prudence à l'égard des projections d'objets. Toujours porter des lunettes de protection homologuées. Ne jamais se pencher au-dessus du dispositif de protection de l'instrument de coupe. Des pierres, des débris, etc. peuvent être projetés dans vos yeux, ce qui peut causer la cécité ou des blessures graves.
- Parfois, des branches ou de l'herbe se coincent entre le dispositif de protection et l'outil de coupe. Toujours arrêter le moteur avant de nettoyer l'outil.
- Ramener le moteur au régime de ralenti après chaque étape de travail. De longues périodes à plein régime sans placer le moteur sous charge peuvent causer de graves dommages au moteur.
- Rester attentif aux appels ou cris d'avertissement lors de l'utilisation des protecteurs d'oreilles. Toujours enlever les protecteurs d'oreilles dès que le moteur s'arrête.
- La surexposition aux vibrations peut entraîner des problèmes circulatoires ou des troubles nerveux, en particulier chez les personnes ayant des troubles circulatoires. En cas de symptômes liés à une surexposition aux vibrations, consulter un médecin. Ces symptômes sont les suivants :

engourdissement, perte de sensibilité, fourmillement, picotement, douleur, faiblesse musculaire, décoloration ou modification de l'épiderme. Ces symptômes apparaissent normalement aux doigts, aux mains et aux poignets.

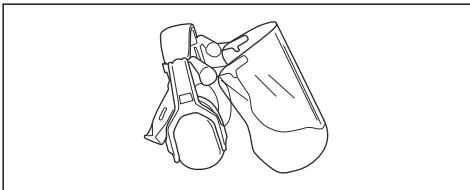
- Ne pas utiliser un produit avec un capuchon de bougie d'allumage endommagé.
- Ne pas utiliser un produit dont le silencieux est défectueux.
- Tenir toute partie du corps à l'écart de l'outil de coupe en rotation et des surfaces chaudes.
- Ne jamais utiliser un produit dont le silencieux est défectueux.
- Ne jamais démarrer ou utiliser le produit à l'intérieur, à proximité de matériaux combustibles ou dans des espaces qui ne disposent pas d'une ventilation adéquate. Les gaz d'échappement du moteur contiennent du monoxyde de carbone, un gaz inodore, toxique et très dangereux. De plus, les gaz d'échappement sont très chauds et peuvent contenir des étincelles qui peuvent causer un incendie.

Équipement de protection personnelle



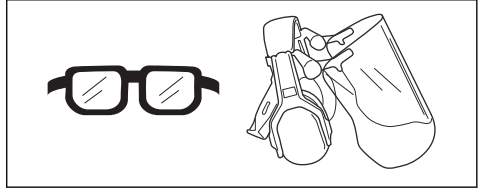
AVERTISSEMENT: Lire les messages d'avertissement qui suivent avant d'utiliser l'appareil.

- Toujours utiliser un équipement de protection personnelle homologué lors de l'utilisation de l'appareil. Cet équipement de protection personnelle n'élimine pas complètement les risques de blessures, mais il peut en réduire la gravité en cas d'accident. Laisser le concessionnaire vous aider à sélectionner l'équipement adéquat.
- Porter des protecteurs d'oreille homologués qui assurent une réduction adéquate du bruit. L'exposition prolongée au bruit peut causer des lésions auditives permanentes.

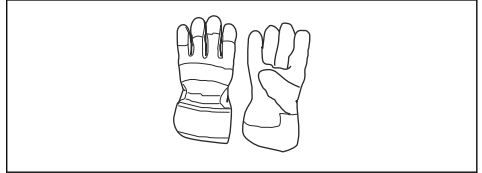


- Utiliser un dispositif de protection homologué pour les yeux. Porter également des lunettes de protection homologuées en cas d'utilisation d'une visière. Les lunettes de protection homologuées doivent être conformes à la norme ANSI Z87.1 aux

États-Unis ou à la norme EN 166 dans les pays de l'Union européenne.



- Utiliser des gants au besoin, par exemple lors de la fixation, de l'examen ou du nettoyage de l'équipement de coupe.



- Utiliser des bottes de protection antidérapantes à embout en acier et semelles antidérapantes.



- Utiliser des vêtements faits de tissus résistants. Toujours utiliser des pantalons longs et lourds et des manches longues. Ne pas porter des vêtements amples qui peuvent se prendre dans les broussailles et les branches. Ne pas porter des bijoux, des pantalons courts, des sandales et ne pas marcher pieds nus. Garder les cheveux au-dessus des épaules.
- Garder une trousse de premiers soins à portée de main.



Dispositifs de sécurité sur l'outil



AVERTISSEMENT: Lire les messages d'avertissement qui suivent avant d'utiliser l'outil.

Cette section décrit l'équipement de sécurité du produit, son but et la façon d'en effectuer les inspections et l'entretien afin de s'assurer qu'il fonctionne

correctement. Voir les instructions à la section *Présentation de l'appareil à la page 46* pour savoir où se trouvent ces pièces sur votre produit.

La durée de vie du produit peut être réduite et le risque d'accident peut augmenter si l'entretien de la machine n'est pas effectué correctement et si l'entretien ou les réparations ne sont pas effectués de façon professionnelle. Pour obtenir de plus amples informations, veuillez communiquer avec votre concessionnaire le plus proche.



AVERTISSEMENT: N'utilisez jamais un produit dont les composants de sécurité sont défectueux. L'équipement de sécurité du produit doit être inspecté et entretenu selon les directives de la présente section. Si une inspection de la machine détecte une panne, communiquez avec un atelier spécialisé pour réparation.

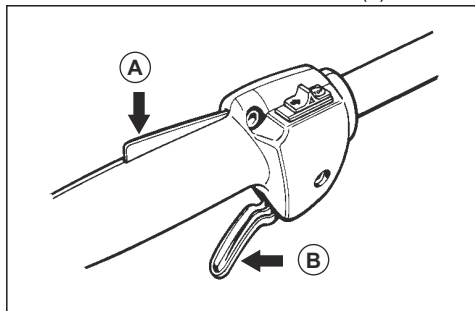


MISE EN GARDE : Tous les travaux de réparation nécessitent une formation spéciale. Ceci concerne particulièrement l'équipement de sécurité de la machine. Si les contrôles suivants ne donnent pas un résultat positif, vous devez communiquer avec un atelier spécialisé. L'achat de l'un de nos produits offre à l'acheteur la garantie d'un service et de réparations qualifiés. Si le détaillant qui vous a vendu la machine n'est pas un centre de service agréé, demandez-lui l'adresse de l'atelier spécialisé le plus proche.

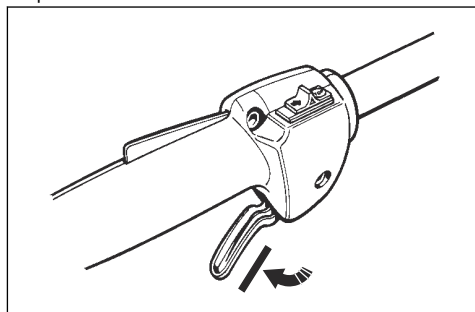
Pour vérifier le verrouillage de la gâchette de l'accélérateur

Le dispositif de verrouillage de la gâchette de l'accélérateur empêche tout fonctionnement accidentel de la commande de l'accélérateur.

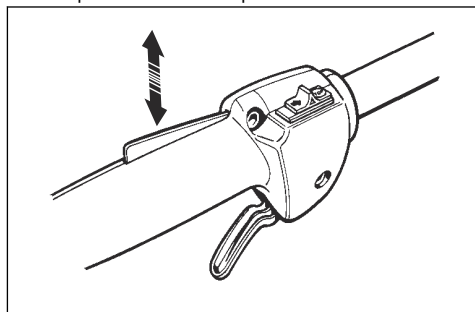
1. Appuyer sur le dispositif de verrouillage de la gâchette de l'accélérateur (A) et s'assurer que la commande d'accélération est relâchée (B).



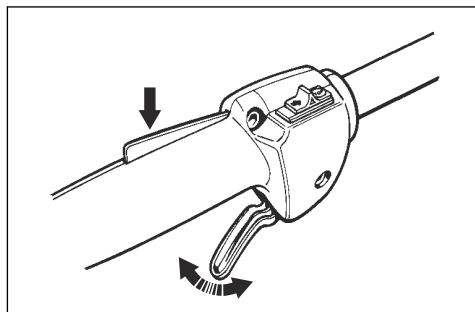
2. Relâcher le dispositif de verrouillage de la commande et assurez-vous qu'elle est verrouillée en position de ralenti.



3. Appuyer sur le dispositif de verrouillage de la gâchette de l'accélérateur et s'assurer qu'il retourne à sa position initiale lorsqu'on le relâche.

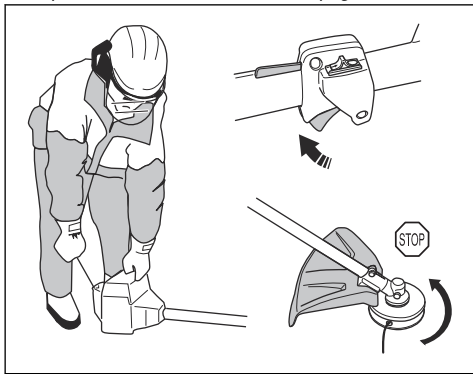


4. Vérifier que la commande de l'accélérateur et son dispositif de verrouillage bougent librement et que les ressorts de retour fonctionnent correctement.



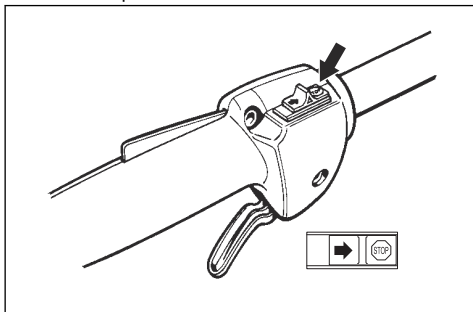
5. Démarrer le produit et le lancer à plein régime. Se reporter à la section *Mise sous tension de l'appareil à la page 57*.

6. Relâcher la commande de l'accélérateur et s'assurer que l'outil de coupe s'arrête. Si l'outil de coupe tourne alors que l'accélérateur est en position de ralenti, vérifier les réglages du carburateur. Se reporter à la section *Entretien à la page 59*.



Pour vérifier l'interrupteur d'arrêt

1. Démarrer le moteur.
2. Déplacer l'interrupteur d'arrêt en position d'arrêt et s'assurer que le moteur s'arrête.



Vérification du dispositif de protection de l'outil de coupe



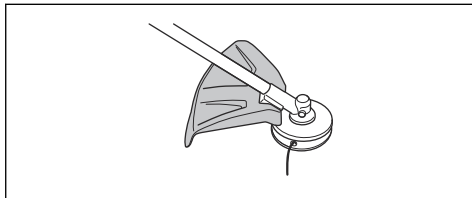
AVERTISSEMENT: Ne pas utiliser un outil de coupe dépourvu du dispositif de protection homologué correctement fixé. Se reporter à la section *Accessoires à la page 65*.



AVERTISSEMENT: Toujours utiliser le dispositif de protection de l'outil de coupe recommandé pour l'outil de coupe utilisé. L'utilisation d'un dispositif de protection de l'outil de coupe défectueux ou inapproprié peut causer des blessures graves. Se reporter à la section *Données techniques à la page 64*.

Le dispositif de protection de l'outil de coupe permet d'éviter des blessures provoquées par des objets

projetés en direction de l'opérateur. Il empêche également de subir des blessures en cas de contact avec l'outil de coupe.



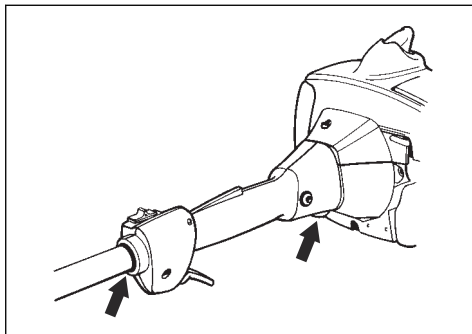
1. Effectuer une inspection visuelle pour détecter d'éventuels dommages, par exemple des fissures.
2. Remplacer le dispositif de protection de l'unité de coupe s'il est endommagé.

Pour vérifier le système antivibrations

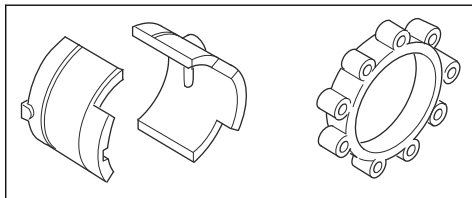


AVERTISSEMENT: L'utilisation d'un fil mal enroulé ou d'un outil de coupe inadéquat augmente le niveau de vibrations.

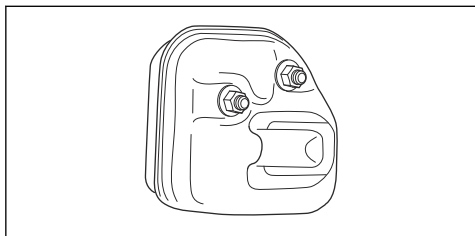
Le système antivibrations réduit au minimum les vibrations des guidons, ce qui facilite l'utilisation de l'outil. Le système antivibrations réduit les vibrations entre l'unité à moteur et l'unité à arbre.



1. Couper le moteur.
2. Effectuer une inspection visuelle pour détecter les déformations et les dommages éventuels, par exemple les fissures.
3. S'assurer que les unités antivibrations sont bien fixées.

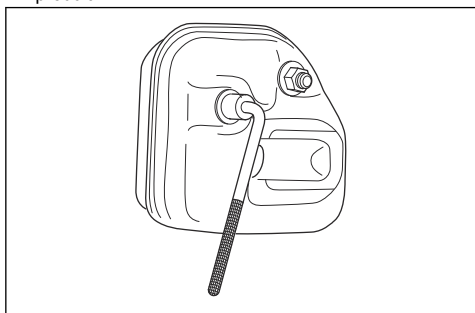


Pour vérifier le silencieux

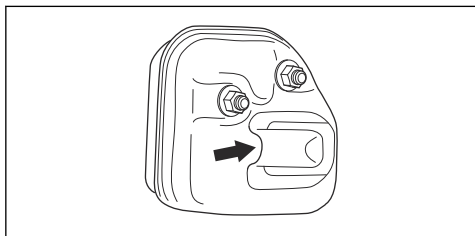


Le silencieux maintient le niveau de bruit au minimum et dirige les gaz d'échappement loin de l'utilisateur.

- Effectuer une inspection visuelle pour détecter d'éventuels dommages ou déformation.
- S'assurer que le silencieux est bien fixé sur le produit.



- Si le silencieux de votre produit est doté d'un écran pare-étincelles, effectuer une inspection visuelle. Si l'écran pare-étincelles est endommagé, le remplacer.
 - a) Si l'écran pare-étincelles est bloqué, le nettoyer. Un écran pare-étincelles bloqué engendre une surchauffe du moteur, ce qui lui cause des dommages.
 - b) S'assurer que la grille antiflamme est fixée correctement.



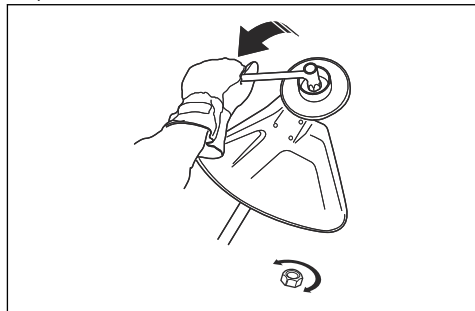
Pour fixer et retirer le contre-écrou



AVERTISSEMENT: Arrêter le moteur, utiliser des gants de protection et faire attention autour des bords tranchants de l'outil de coupe.

Un contre-écrou est utilisé pour fixer certains types d'outils de coupe. Le contre-écrou présente un filetage à gauche.

- Pour fixer, serrer le contre-écrou dans le sens opposé au sens de rotation de l'outil de coupe.
- Pour le retirer, dévisser le contre-écrou en le tournant dans le sens de rotation de l'outil de coupe.
- Pour desserrer et serrer le contre-écrou, utiliser une clé à douille munie d'un arbre long. La flèche sur l'illustration indique la zone dans laquelle il est possible d'utiliser la clé à douille en toute sécurité.



AVERTISSEMENT: Lors du desserrage et du serrage du contre-écrou, il y a un risque de blessure causée par la lame. Toujours s'assurer que le protège-lame empêche les blessures aux mains lors de cette opération.

Remarque : S'assurer de ne pas pouvoir tourner le contre-écrou à la main. Remplacer l'écrou si le revêtement en nylon n'a pas une résistance d'au moins 1,5 Nm. Remplacer le contre-écrou après l'avoir réutilisé environ 10 fois.

Équipement de coupe

Sélectionner le bon équipement de coupe et effectuer les opérations d'entretien de l'équipement de coupe pour les raisons suivantes :

- Obtenir les meilleures performances de coupe.
- Augmenter la longévité de l'équipement de coupe.



AVERTISSEMENT: Utiliser les accessoires de coupe avec les protections recommandées uniquement. Voir *Accessoires à la page 65*. Se reporter aux instructions relatives à l'équipement de coupe pour trouver la bonne façon de charger le fil de coupe et connaître le diamètre correct du fil de coupe.



AVERTISSEMENT: Un outil de coupe non adéquat peut augmenter le risque d'accident.

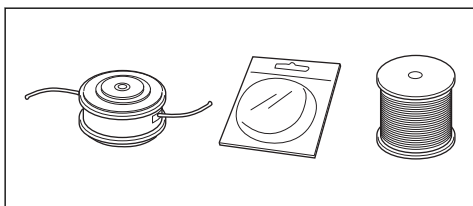


AVERTISSEMENT: Toujours arrêter le moteur avant d'effectuer toute intervention sur l'outil de coupe. Celui-ci continue de tourner après qu'on ait relâché la commande d'accélération. S'assurer que l'outil de coupe est complètement arrêté et débrancher le capuchon de la bougie d'allumage avant de commencer à travailler dessus.

Tête de coupe



AVERTISSEMENT: S'assurer que le fil de coupe soit toujours enroulé de manière serrée et régulière autour du tambour pour éviter les vibrations dangereuses pour la santé.



- Utiliser seulement les têtes de coupe et les fils de coupe recommandés.
- Utiliser seulement les équipements de coupe recommandés.
- Les petites machines nécessitent de petites têtes de coupe et vice versa.
- La longueur du fil de coupe est un paramètre important. Un fil long demande un moteur plus puissant qu'un fil court, même en cas de diamètre égal de fil.
- Vérifier que le couteau monté sur le dispositif de protection n'est pas endommagé. Cette caractéristique coupe le fil de coupe à la bonne longueur.
- Tremper le fil de coupe dans de l'eau pendant quelques jours avant de l'utiliser afin d'en augmenter la durée de vie.

Sécurité – carburant



AVERTISSEMENT: Lire les messages d'avertissement qui suivent avant d'utiliser l'outil.

- Ne jamais démarrer le produit si du carburant se déverse sur celui-ci. Essuyer tout déversement et laisser le carburant s'évaporer.
- Ne jamais démarrer le produit si du carburant se déverse sur vous ou sur vos vêtements. changer de vêtements et laver toute partie de votre corps qui est entrée en contact avec le carburant. Utiliser de l'eau et du savon.
- Ne jamais démarrer le produit s'il présente une fuite de carburant. Vérifier régulièrement l'étanchéité du bouchon du réservoir et des conduites de carburant.
- Toujours placer le produit sur une surface plane et s'assurer que l'outil de coupe ne puisse pas entrer en contact avec un objet quelconque lors de l'ajout de carburant.
- Faire attention lors de la manipulation du carburant. Ne pas oublier le risque d'incendie, d'explosion et d'inhalation des émanations.
- Faire preuve de prudence lors de la manipulation du carburant et s'assurer que la ventilation est adéquate. Les vapeurs de carburant et de combustible sont hautement inflammables et peuvent causer des blessures graves en cas d'inhalation ou de contact avec la peau.
- Mélanger et verser le carburant à l'extérieur, dans un endroit exempt d'étincelles ou de flammes.
- Ne jamais fumer ni placer des objets chauds à proximité du carburant.
- Toujours éteindre le moteur et le laisser refroidir pendant quelques minutes avant de faire le plein.
- Ouvrir le bouchon du réservoir de carburant lentement pour relâcher doucement la pression lors du remplissage.
- Serrer le bouchon du réservoir avec précaution après l'appoint de carburant.
- Nettoyer la zone autour du bouchon. La présence d'impuretés dans le réservoir peut engendrer des problèmes de fonctionnement.
- Toujours éloigner le produit de 3 m (10 pi) ou plus, de la zone et de la source de remplissage avant de démarrer.

Consignes de sécurité pour la maintenance



AVERTISSEMENT: Toujours arrêter le moteur avant d'effectuer toute intervention sur l'outil de coupe. L'outil de coupe continue de tourner, même après que l'accélérateur soit relâché. S'assurer que

l'outil de coupe est complètement arrêté et débrancher la bougie d'allumage avant de commencer à travailler dessus.



AVERTISSEMENT: Un outil de coupe inadéquat peut augmenter le risque d'accidents.



AVERTISSEMENT: S'assurer que le fil coupe-herbe est enroulé fermement et

uniformément autour du tambour; autrement, le produit génère des vibrations dangereuses pour la santé.

- Utiliser les outils de coupe avec les protections recommandées uniquement. Se reporter à la section *Accessoires à la page 65*.

Montage

Introduction



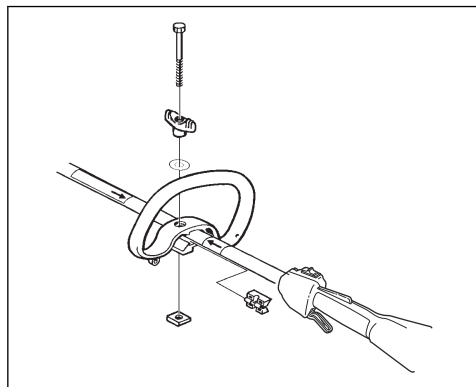
AVERTISSEMENT: Avant d'assembler le produit, lire et bien comprendre le chapitre sur la sécurité.



AVERTISSEMENT: Débrancher le câble de la bougie d'allumage de la bougie d'allumage avant d'assembler le produit.

Pose de la poignée en boucle

1. Fixer la poignée en boucle sur l'arbre entre les flèches.

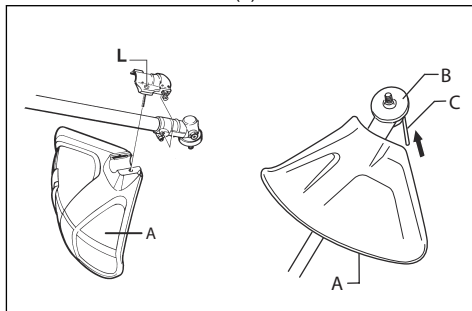


2. Fixer l'entretoise dans la fente de la poignée en boucle.
3. Installez l'écrou, le bouton et la vis. Ne pas serrer complètement.
4. Régler le produit dans une position de fonctionnement adéquate.
5. Serrer le bouton.

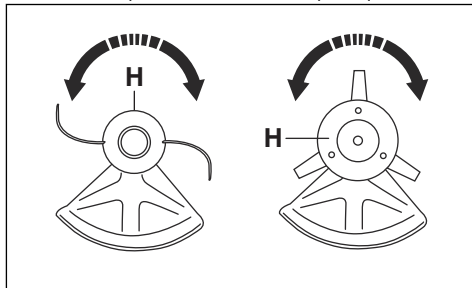
Pour monter le dispositif de protection de l'outil de coupe et la tête de coupe

1. Fixer le dispositif approprié de protection de l'équipement de coupe (A) pour la tête de désherbage. Se reporter à la section *Accessoires à la page 65*.

2. Placer le dispositif de protection de l'outil de coupe sur le support de l'arbre.
3. Fixer à l'aide du boulon (L).



4. Installer le disque d'entraînement (B) sur l'arbre de sortie.
5. Tourner l'arbre de sortie jusqu'à ce que l'un des trous dans le disque d'entraînement s'aligne avec le trou correspondant dans le carter d'engrenage.
6. Placer la goupille d'arrêt (C) dans le trou pour bloquer l'arbre.
7. Tourner la tête de coupe et les couteaux en plastique (H) dans le sens opposé à la rotation de la tête de coupe et des couteaux en plastique tournent.



Fonctionnement

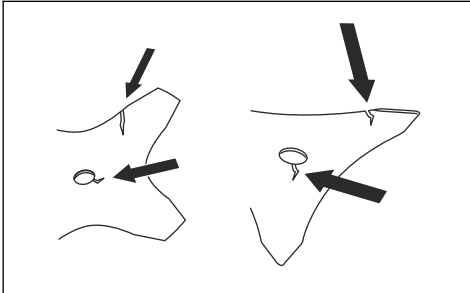
Introduction



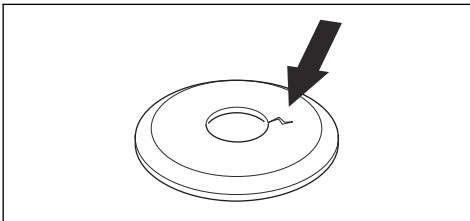
AVERTISSEMENT: Avant d'utiliser le produit, lire et bien comprendre le chapitre sur la sécurité.

Avant d'utiliser le produit

- Examiner la zone de travail pour s'assurer de connaître le type de terrain, l'inclinaison du sol et s'il y a des obstacles tels que des pierres, des branches et des fossés.
- Effectuer une inspection relative à la révision du produit.
- Effectuer les inspections de sécurité, les réparations et l'entretien indiqués dans ce manuel.
- S'assurer que tous les couvercles, toutes les protections, toutes les poignées et tous les équipements de coupe sont correctement fixés et en bon état.
- S'assurer qu'il n'y ait aucune fissure dans la partie inférieure des dents de la lame à herbe ou au niveau du trou situé au centre de la lame. Remplacer la lame si elle est endommagée.

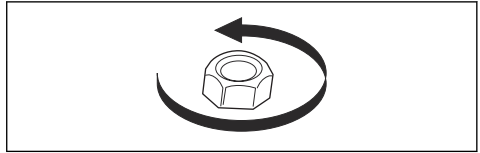


- Examiner la bride de support pour s'assurer qu'elle ne présente pas de fissures. Remplacer la bride de support si elle est endommagée.

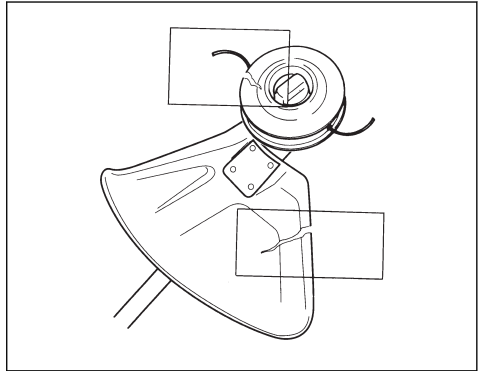


- S'assurer que le contre-écrou ne puisse pas être retiré à la main. S'il peut être retiré à la main, il ne

verrouille pas suffisamment l'outil de coupe et doit être remplacé.



- Examiner la tête de désherbage et le carter de protection de l'outil de coupe pour détecter d'éventuels dommages ou fissures. Remplacer la tête de désherbage et le carter de protection s'ils ont subi des chocs ou s'ils présentent des fissures.



Carburant

Cet outil est équipé d'un moteur à quatre-temps.



MISE EN GARDE : Un type de carburant inapproprié peut endommager le moteur.

Essence

- Utiliser du carburant à quatre-temps Husqvarna, pour atteindre une performance optimale et un prolonger la durée de vie du moteur. Le carburant à quatre-temps Husqvarna ne devient pas mauvais ou oxydé, ce qui réduit au minimum les intervalles d'entretien.
- Si le carburant à quatre-temps Husqvarna n'est pas disponible, utiliser de l'essence sans plomb de bonne qualité avec une teneur maximale en éthanol de 10 %.



MISE EN GARDE : Ne pas utiliser d'essence à indice d'octane inférieur à 90 RON (87 AKI). L'utilisation d'un indice d'octane inférieur peut entraîner le

cognement du moteur, ce qui provoque des dommages au moteur.

Huile pour moteurs 4 temps

- Vérifier le niveau d'huile pour moteurs avant d'utiliser le produit. Un niveau d'huile pour moteurs trop bas peut causer des dommages au moteur. Se reporter à la section *Pour vérifier le niveau d'huile pour moteurs à la page 59.*
- Lorsque le produit est neuf, remplacer l'huile pour moteurs après le premier mois ou les dix premières heures de fonctionnement.
- Utiliser de l'huile pour moteurs 4 temps Husqvarna pour des performances et une durée de vie optimales du moteur. Communiquer avec un agent de réparation agréé pour sélectionner l'huile pour moteurs appropriée.
- Si l'huile pour moteurs 4 temps Husqvarna n'est pas disponible, utiliser une huile pour moteur 4 temps de bonne qualité avec une norme API SG minimum. La classe de viscosité recommandée est SAE 10W-40. Communiquer avec un agent de réparation agréé pour sélectionner l'huile appropriée.



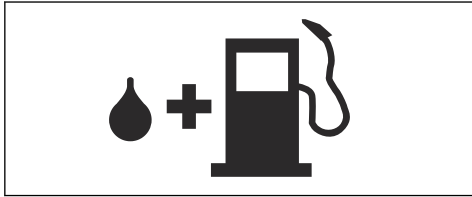
MISE EN GARDE : Ne pas utiliser l'huile pour des moteurs à 2 temps.

Remplissage du réservoir de carburant



AVERTISSEMENT: Respecter la procédure suivante pour assurer la sécurité.

1. Couper le moteur et le laisser refroidir.
2. Nettoyer la zone autour du bouchon du réservoir de carburant.



3. Retirer le bouchon du réservoir de carburant lentement pour libérer la pression.
4. Remplir le réservoir de carburant.



MISE EN GARDE : S'assurer qu'il n'y a pas trop de carburant dans le réservoir. Le carburant se dilate lorsqu'il devient chaud.

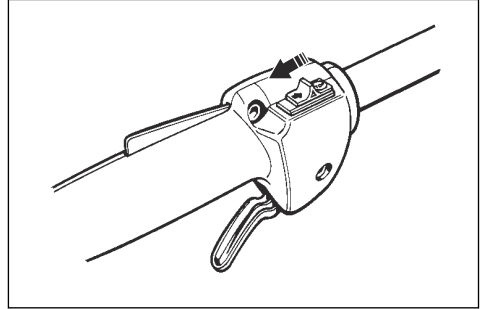
5. Serrer fermement le bouchon du réservoir de carburant.
6. Nettoyer le déversement de carburant sur le produit et autour de celui-ci.

7. Éloigner le produit de 3 m (10 pi) ou plus de la zone de remplissage et de la source de carburant avant de démarrer.

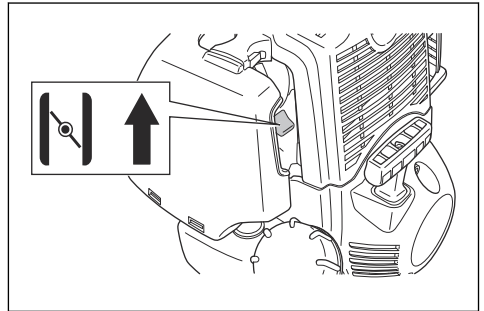
Remarque : Pour connaître l'emplacement du réservoir de carburant sur votre machine, se reporter à *Présentation de l'appareil à la page 46.*

Mise sous tension de l'appareil

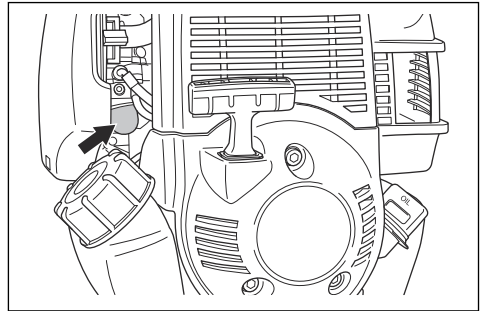
1. Déplacer l'interrupteur d'arrêt à la position de démarrage.



2. Mettre la commande du démarreur à la position d'accélération.

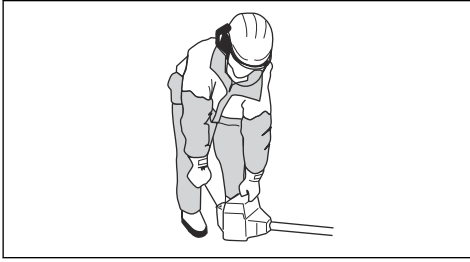


3. Appuyer sur la poire de purge d'air ou jusqu'à ce que le carburant commence à se verser dans la poire.



4. Maintenir le produit au sol.

5. Tirer lentement la poignée du câble du lanceur avec la main droite jusqu'à rencontrer une résistance.



AVERTISSEMENT: Ne pas enrouler la corde du lanceur autour de la main.



MISE EN GARDE : Ne pas tirer complètement le câble du lanceur et ne pas lâcher la poignée du câble du lanceur. Cela pourrait endommager le produit.

6. Tirer rapidement sur la poignée du câble du lanceur jusqu'à ce que le moteur démarre.
7. Mettre le starter à la position de fonctionnement.

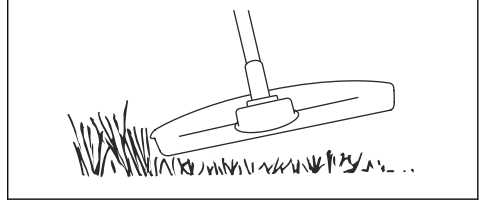


AVERTISSEMENT: Garder les parties du corps à l'écart du chapeau de bougie. Risque de brûlures. Ne pas utiliser un produit avec un chapeau de bougie endommagé. Risque de décharge électrique.

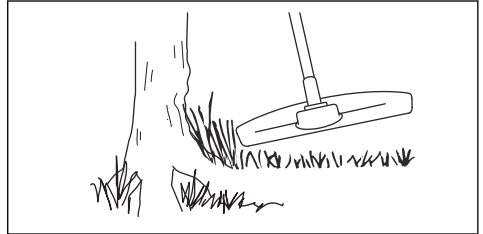
Désherbage au moyen d'une tête de coupe

Tonte du gazon

1. Tenir la tête de coupe tout juste au-dessus du sol, en l'inclinant. Ne pas appuyer le fil de coupe dans l'herbe.

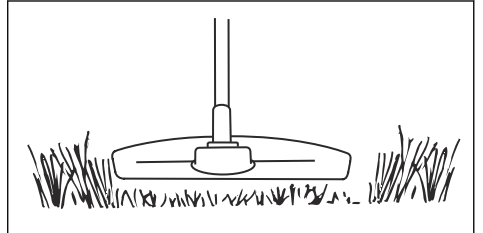


2. Diminuer la longueur du fil de coupe de 10-12 cm (4-4,75 po).
3. Réduire le régime du moteur pour réduire le risque d'endommager les plantes.
4. Utiliser 80 % de l'accélération lorsqu'on doit couper l'herbe à proximité d'objets.



Pour couper l'herbe

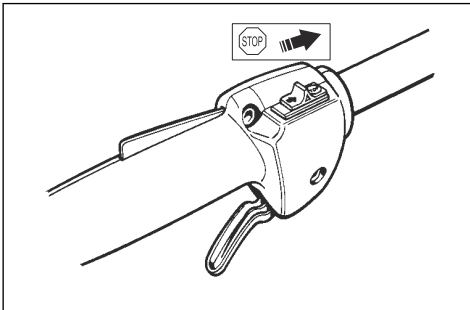
1. Pour effectuer une coupe, vérifier que le fil de coupe est parallèle au sol.



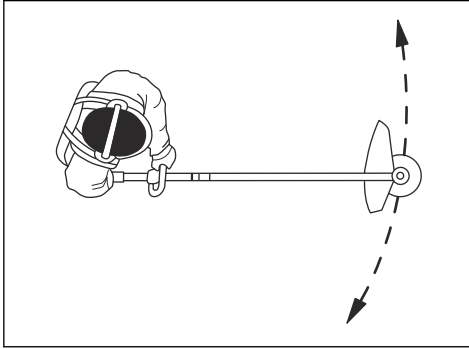
2. Ne pas appuyer la tête de coupe sur le sol. Cela pourrait endommager le produit.

Arrêt de la machine

- Déplacer l'interrupteur d'arrêt dans la position d'arrêt pour arrêter le moteur.



3. Déplacer le produit d'un côté à l'autre pendant la coupe. Faire tourner le moteur à plein régime.



Pour balayer l'herbe

Le débit d'air du fil de coupe en rotation peut être utilisé pour souffler l'herbe coupée d'une zone.

1. Maintenir la tête de désherbage et le fil surélevés et parallèles au sol.
2. Faire tourner le moteur à plein régime.
3. Déplacer la tête de coupe d'un côté à l'autre et balayer l'herbe.



AVERTISSEMENT: Nettoyer le couvercle de la tête de désherbage à chaque remplacement du fil de coupe afin d'éviter un déséquilibre et des vibrations dans les poignées. En outre, vérifier les autres parties de la tête de coupe et les nettoyer au besoin.

Entretien

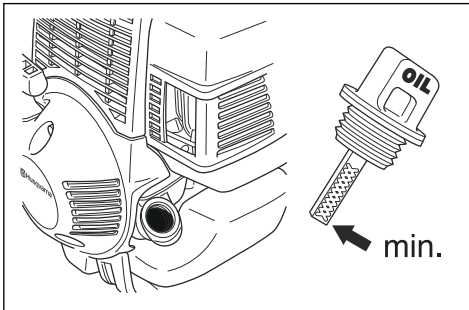
Introduction



AVERTISSEMENT: Avant de procéder à l'entretien, lire et bien comprendre le chapitre sur la sécurité.

Pour vérifier le niveau d'huile pour moteurs

1. Couper le moteur et le laisser refroidir.
2. Placer le produit sur un sol plat.
3. Nettoyer la zone autour du bouchon de remplissage d'huile.



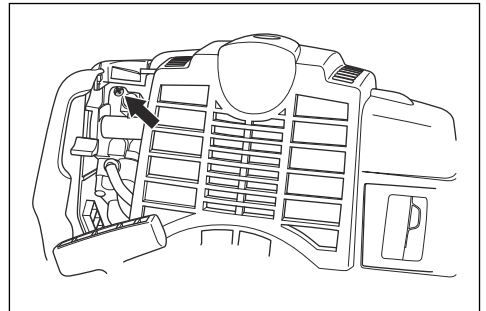
4. Déposer le bouchon de remplissage d'huile.
5. Déposer l'huile en plaçant la jauge sur le bouchon de remplissage d'huile.
6. Remettre le bouchon de remplissage d'huile dans le goulot de remplissage d'huile. Ne pas serrer le bouchon de remplissage d'huile à cette étape.
7. Retirer le bouchon de remplissage d'huile et lire le niveau d'huile sur la jauge.

8. Si le niveau d'huile est bas, faire l'appoint d'huile pour moteurs jusqu'à ce que l'huile atteigne le bord du goulot de remplissage d'huile. Utiliser uniquement l'huile pour moteurs recommandée. Se reporter à la section *Huile pour moteurs 4 temps à la page 57*.
9. Poser le bouchon de remplissage d'huile et le serrer complètement.

Réglage du régime de ralenti

Votre produit Husqvarna est fabriqué conformément aux spécifications permettant de diminuer les émissions nocives.

1. Vérifier que le filtre à air est propre et que le couvercle du filtre à air est fixé avant de régler le régime de ralenti.
2. Régler le régime de ralenti à l'aide de la vis de régime de ralenti « T », désignée par le repère « T ».
 - a) Tourner la vis de réglage de régime de ralenti « T » dans le sens horaire jusqu'à ce que l'équipement de coupe commence à tourner.



- b) Tourner la vis de réglage de régime de ralenti « T » dans le sens antihoraire jusqu'à ce que l'équipement de coupe s'arrête.



AVERTISSEMENT : Si l'équipement de coupe ne s'arrête pas lors du réglage du régime de ralenti, communiquer avec son fournisseur de services d'entretien. Ne pas utiliser le produit jusqu'à ce qu'il soit réglé ou réparé correctement.

3. Le régime de ralenti est adéquat lorsque le moteur fonctionne sans à-coups dans toutes les positions. Le régime de ralenti doit être inférieur à la vitesse lorsque l'équipement de coupe commence à tourner.

Remarque : Se reporter à la section *Données techniques à la page 64* pour obtenir le régime de ralenti recommandé.

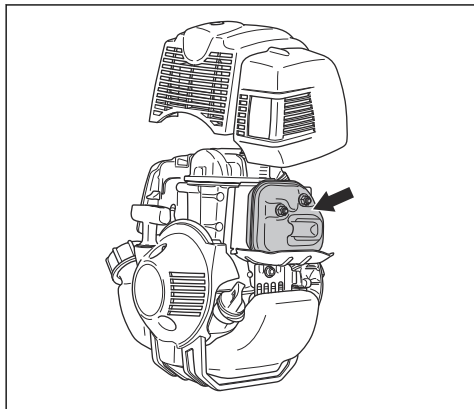
Pour entretenir le silencieux



AVERTISSEMENT : Le silencieux réduit le niveau de bruit et dirige les gaz d'échappement loin de l'utilisateur. Les gaz d'échappement sont chauds et peuvent contenir des étincelles. Elles peuvent provoquer un incendie si elles sont dirigées vers des matériaux secs et inflammables.

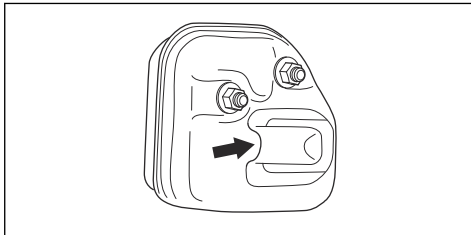


AVERTISSEMENT : Les silencieux équipés d'un pot catalytique chauffent pendant le fonctionnement. Il y a risque de brûlure ou d'incendie. C'est également le cas lorsque le moteur tourne au ralenti. Pour vérifier si votre produit est équipé d'un convertisseur catalytique, reportez-vous à *Données techniques à la page 64*.



1. Couper le moteur et laisser le silencieux refroidir.
2. Retirer le capot du silencieux.
3. Si le silencieux de votre produit est doté d'un écran pare-étincelles, effectuer les opérations suivantes :
 - a) Procéder à un contrôle visuel. Si l'écran pare-étincelles est endommagé, le remplacer.

- b) Si l'écran pare-étincelles est bloqué, le nettoyer. Si l'outil est doté d'un pot catalytique, nettoyer toutes les semaines. Si l'outil n'est pas doté d'un pot catalytique, nettoyer tous les mois.



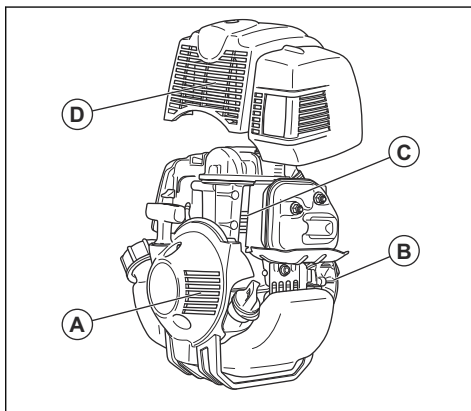
MISE EN GARDE : Un écran pare-étincelles bloqué engendre une surchauffe du moteur, ce qui lui cause des dommages.



MISE EN GARDE : Si la grille pare-étincelles est souvent obstruée, cela peut être le signe d'une réduction de la performance du pot catalytique. Aller chez le fournisseur de services d'entretien pour examiner le silencieux. Une grille pare-étincelles obstruée provoque une surchauffe et une détérioration du cylindre et du piston.

Nettoyage du système de refroidissement

Les pièces du système de refroidissement comprennent la prise d'air sur le démarreur (A), les ailettes du volant moteur (B), les ailettes de refroidissement du cylindre (C) et le capot du cylindre (D).



1. Nettoyer le système de refroidissement au moyen d'une brosse une fois par semaine ou plus fréquemment au besoin.
2. S'assurer que le système de refroidissement n'est pas sale ou obstrué.



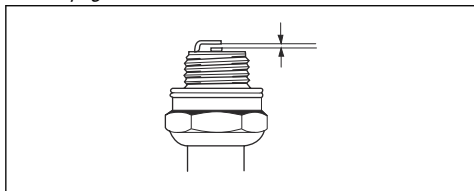
MISE EN GARDE : Un système de refroidissement encrassé ou bloqué peut entraîner une surchauffe du produit, ce qui peut endommager ce dernier.

Vérification de la bougie d'allumage



MISE EN GARDE : Toujours utiliser une bougie d'allumage du type recommandé. Une bougie d'allumage de type inapproprié peut endommager le produit.

- Examiner la bougie d'allumage si le moteur manque de puissance, démarre difficilement ou ne fonctionne pas correctement au régime de ralenti.
- Afin de réduire le risque de matériau indésirable sur les électrodes de la bougie, respecter les consignes suivantes :
 - a) Vérifier que le régime de ralenti est réglé de façon adéquate.
 - b) Vérifier que le mélange de carburant est correct.
 - c) Vérifier que le filtre à air est propre.
- Si la bougie d'allumage est sale, la nettoyer et s'assurer que l'écartement des électrodes est correct, se reporter à la section *Données techniques* à la page 64.



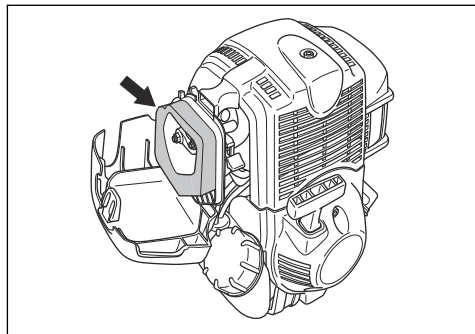
- Remplacer la bougie d'allumage au besoin.

Nettoyage du filtre à air

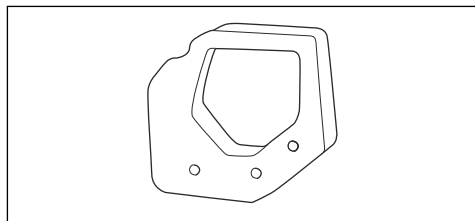


MISE EN GARDE : Il faut toujours remplacer un filtre à air endommagé, très sale ou imbibé de carburant.

Un filtre à air utilisé pendant une longue période ne peut être complètement nettoyé. Remplacer régulièrement le filtre à air et toujours remplacer un filtre à air défectueux.



1. Déplacer le levier d'étrangleur vers le haut, pour fermer le volet de départ.
2. Retirer le couvercle du filtre à air et retirer le filtre à air.



3. Nettoyer le filtre à air à l'eau savonneuse chaude.
4. Nettoyer la surface intérieure du couvercle du filtre à air. Utiliser de l'air ou une brosse.
5. Vérifier la surface de contact du joint en caoutchouc. Remplacer le filtre du joint en caoutchouc s'il est endommagé.
6. Vérifier que le filtre est sec avant de l'installer.

Application de l'huile sur le filtre à air en mousse



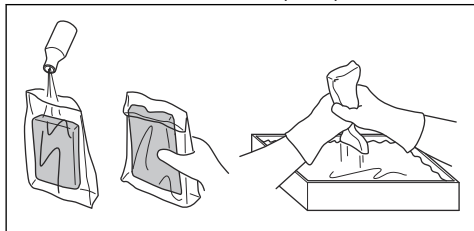
MISE EN GARDE : Toujours utiliser de l'huile Husqvarna pour filtre à air spécial. Ne pas utiliser d'autres types d'huile.



AVERTISSEMENT: Enfiler des gants de protection. L'huile pour filtre à air peut irriter la peau.

1. Placer le filtre à air en mousse dans un sac en plastique.
2. Placer l'huile dans le sac en plastique.
3. Frotter le sac en plastique pour vérifier que l'huile alimente également l'ensemble du filtre à air en mousse.

4. Pousser l'huile indésirable vers l'extérieur du filtre à air en mousse dans le sac en plastique.



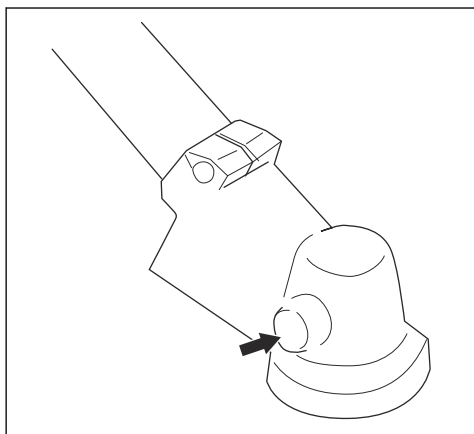
Calendrier d'entretien

Vous trouverez ci-dessous une liste d'étapes d'entretien qui doivent être effectuées sur le produit. La plupart des étapes sont décrites dans la section *Entretien à la page 59*

Remarque : L'utilisateur doit seulement effectuer les travaux de maintenance et d'entretien décrits dans ce manuel d'utilisation. Les travaux plus importants doivent être effectués par un atelier d'entretien agréé.

Pignon conique

Le pignon conique est rempli au 3/4 avec de la graisse en usine. Avant d'utiliser ce produit, s'assurer que le niveau de graisse n'a pas changé. Utiliser de la graisse spéciale Husqvarna s'il est nécessaire de faire le plein. Ne pas remplacer la graisse dans le pignon conique. Laisser le personnel d'entretien effectuer la réparation du pignon conique.



Entretien	Quotidien	Hebdomadaire	Mensuel
Nettoyer la surface externe.	X		
S'assurer que le dispositif de verrouillage de la gâchette de l'accélérateur et l'accélérateur fonctionnent correctement du point de vue de la sécurité.	X		
Vérifier l'interrupteur d'arrêt pour s'assurer qu'il fonctionne correctement.	X		
S'assurer que l'outil de coupe ne tourne pas au régime de ralenti.	X		
Nettoyer le filtre à air. Remplacer au besoin.	X		
Vérifier le dispositif de protection de l'outil de coupe pour détecter d'éventuels dommages et fissures. Remplacer la protection si elle a reçu un coup ou si elle est fissurée.	X		
Examiner la tête de coupe pour s'assurer qu'elle ne présente pas de dommages ou de fissures. Si elle est endommagée, la remplacer.	X		

Entretien	Quotidien	Hebdomadaire	Mensuel
S'assurer que les vis et écrous sont bien serrés.	X		
Examiner le moteur, le réservoir de carburant et les conduites de carburant pour détecter d'éventuelles fuites.	X		
Nettoyer le système de refroidissement.		X	
Examiner le lanceur et la corde du lanceur pour détecter d'éventuels dommages.		X	
Examiner les éléments antivibrations pour s'assurer qu'ils ne présentent pas de dommages ou de fissures.		X	
Nettoyer l'extérieur de la bougie d'allumage. Retirer la bougie d'allumage et vérifier l'écartement des électrodes. Régler l'écartement à la distance appropriée (se reporter à la section <i>Vérification de la bougie d'allumage à la page 61</i>) ou remplacer la bougie d'allumage. S'assurer que la bougie est dotée d'un suppresseur.		X	
Nettoyer l'extérieur du carburateur et ses zones adjacentes.		X	
Vérifier le pignon conique pour s'assurer qu'il est rempli au trois-quarts de lubrifiant. Remplir avec de la graisse spéciale, au besoin.		X	
Nettoyer ou remplacer la maille pare-étincelles du silencieux (s'applique seulement aux silencieux sans pot catalytique).		X	
S'assurer que le filtre à carburant est exempt de toute contamination et que le tuyau à carburant ne présente pas de fissures ou d'autres défauts. Remplacer au besoin.			X
Vérifier tous les câbles et toutes les connexions.			X
Vérifier l'embrayage, les ressorts d'embrayage et le tambour d'embrayage pour détecter toute éventuelle usure. Les remplacer au besoin dans un atelier de réparation agréé.			X
Remplacer la bougie d'allumage. S'assurer que la bougie est dotée d'un suppresseur.			X
Vérifier et nettoyer la maille pare-étincelles du silencieux (s'applique seulement aux silencieux sans pot catalytique).			X

Dépannage

Le moteur ne démarre pas.

Vérifier	Cause possible	Procédure
Interrupteur d'arrêt.	L'interrupteur d'arrêt est à la position d'arrêt.	Régler l'interrupteur d'arrêt à la position de démarrage.
Cliquets de lanceur à rappel.	Les cliquets de lanceur à rappel ne peuvent se déplacer librement.	Retirer le couvercle du démarreur et nettoyer autour des cliquets de lanceur à rappel.
		Laisser un agent d'entretien agréé vous aider.

Vérifier	Cause possible	Procédure
Réservoir de carburant.	Type de carburant inapproprié.	Vidanger le réservoir de carburant et faire le plein avec le carburant correct.
Bougie d'allumage.	La bougie d'allumage est sale ou humide.	S'assurer que la bougie est propre et sèche.
	L'écartement des électrodes de la bougie d'allumage est incorrect.	Nettoyer la bougie d'allumage. Vérifier que l'écartement des électrodes est correct. S'assurer que la bougie d'allumage est dotée d'un supprimeur.
	La bougie d'allumage est desserrée.	Consulter les caractéristiques techniques pour connaître l'écartement correct des électrodes. Serrer la bougie d'allumage.

Le moteur démarre mais s'arrête à nouveau

Vérifier	Cause possible	Procédure
Réservoir de carburant.	Type de carburant inapproprié.	Vider le réservoir de carburant et faire le plein avec le carburant correct.
Filtre à air.	Le filtre à air est bouché.	Nettoyer le filtre à air.

Transport et entreposage

Transport et entreposage

- Toujours laisser l'appareil refroidir avant de l'entreposer.
- Pour le stockage et le transport du produit et du carburant, s'assurer qu'il n'y a pas de fuite ou de vapeur. Les étincelles ou les flammes nues, par exemple avec des appareils électriques ou des chaudières, peuvent démarrer un incendie.
- Utiliser toujours des contenants agréés pour entreposer ou transporter le carburant.
- Vider les réservoirs de carburant avant tout transport ou remisage pendant une période prolongée. Mettre

au rebut le carburant à un emplacement de mise au rebut adéquat.

- Fixer la protection de transport pendant le transport et le stockage.
- Retirer le chapeau de la bougie.
- Fixer le produit pendant le transport. S'assurer qu'il ne puisse pas bouger.
- Nettoyer et entretenir le produit avant de le remettre pour une période prolongée.

Données techniques

	324L
Moteur	
Cylindrée, po ³ /cm ³	1,53/25
Régime de ralenti, tr/min	3100
Régime maximal recommandé, tr/min	12000

	324L
Puissance max. du moteur, conformément à la norme ISO 8893, kW/hp à tr/min	0,7/7000
Silencieux du pot catalytique	Non
Régime de l'arbre de sortie, tr/min	8220
Système d'allumage	
Bougie d'allumage	NGK CMR5H
Écartement des électrodes, po/mm	0,024/0,6
Circuit d'alimentation	
Capacité du réservoir de carburant, pte US/ l	1,16/0,55
Poids	
Poids, lb/kg	11,0/5,0

Accessoires

Accessoires

Les accessoires utilisés en combinaison avec les blocs moteurs indiqués ont été évalués selon la norme ANSI B175.3-2013 concernant les exigences en matière de sécurité pour les débroussailluses et les coupe-herbes.

Ces combinaisons ont été évalués par Underwriters Laboratories Inc. (UL) et sont par conséquent répertoriées sous la mention UL.

324L		
Accessoires homologués	Type	Protection de l'outil de coupe, réf. art.
Filetage de l'axe de lame M10		
Tête de coupe	S35 (fil de 2,4 à 3,0 mm de diam.)	588 54 37-01 / 588 11 79-01
	T25 (fil de 2,0 à 2,7 mm de diam.)	588 54 37-01 / 588 11 79-01
	T35, T35x (fil de 2,4 à 3,0 mm de diam.)	588 54 37-01 / 588 11 79-01
	Alliage (fil de 2,0 à 3,3 mm de diam.)	588 54 37-01 / 588 11 79-01

Garantie

DÉCLARATION DE GARANTIE DU SYSTÈME DE CONTRÔLE DES ÉMISSIONS D'ÉCHAPPEMENT ET D'ÉVAPORATION CONFORME AUX EXIGENCES LÉGALES DES ÉTATS-UNIS, DE LA CALIFORNIE ET DU CANADA

VOS DROITS ET OBLIGATIONS EN VERTU DE LA GARANTIE

Le California Air Resources Board (CARB), l'U.S. Environmental Protection Agency (EPA), Environnement et Changement climatique Canada et Husqvarna Professional Products, Inc. vous présentent la garantie du système de contrôle des émissions d'échappement et d'évaporation (les « émissions ») qui protège votre petit moteur hors route 2019-2020*. En Californie, l'équipement neuf équipé d'un petit moteur hors-route doit être conçu, fabriqué et équipé de manière à répondre aux strictes normes antipollution de l'État. Husqvarna Professional Products, Inc. doit garantir les systèmes de contrôle des émissions de votre petit moteur hors route pendant les périodes figurant sur la liste ci-dessous à condition que votre petit moteur hors route ou tout autre équipement ne présente aucun signe d'abus, de négligence ou d'entretien inapproprié menant à la défaillance du système de contrôle des émissions. Votre système de contrôle des émissions peut comprendre différentes pièces comme un carburateur, un système d'injection de carburant, un système d'allumage, un pot catalytique, des réservoirs de carburant, des conduites de carburant (pour le carburant liquide et les vapeurs de carburant), des bouchons de réservoir de carburant, des soupapes, des réservoirs à charbon actif, des filtres, des colliers et d'autres composants associés. Il peut aussi comprendre des flexibles, de courroies, des raccords et d'autres pièces liées aux émissions. En cas de problème couvert par la garantie, Husqvarna Professional Products, Inc. répare votre petit moteur hors route sans frais, diagnostic, pièces et main-d'œuvre compris.

COUVERTURE DE LA GARANTIE DU FABRICANT

Le système de contrôle des émissions d'échappement et d'évaporation pour petit moteur hors route est garanti deux ans. Si une pièce de votre petit moteur hors route liée aux émissions est défectueuse, elle doit alors être réparée ou remplacée par Husqvarna Professional Products, Inc..

RESPONSABILITÉS DU PROPRIÉTAIRE EN VERTU DE LA GARANTIE

- À titre de propriétaire d'un petit moteur hors route, vous êtes tenu d'effectuer l'entretien obligatoire indiqué dans le manuel de l'utilisateur. Husqvarna

Professional Products, Inc. vous recommande de conserver tous les reçus relatifs à l'entretien de votre petit moteur hors route, mais Husqvarna Professional Products, Inc. ne peut pas refuser l'application de la garantie pour la seule raison de l'absence de reçus ou du non-respect du calendrier de maintenance.

- En tant que propriétaire d'un petit moteur hors route, vous devez savoir que Husqvarna Professional Products, Inc. peut vous refuser la couverture de la garantie si votre petit moteur hors route ou une pièce est défaillant en raison d'un abus, de négligence, d'un entretien inapproprié ou de modifications non approuvées.
- Vous devez présenter votre petit moteur hors route à un centre de réparation Husqvarna Professional Products, Inc. agréé dès que le problème se manifeste. Les réparations couvertes par la garantie seront effectuées dans un délai raisonnable qui n'excédera pas 30 jours. Pour toute question relative à vos droits et responsabilités relativement à votre garantie, communiquer avec Husqvarna Professional Products, Inc. au CANADA au 1-800-805-5523 ou aux ÉTATS-UNIS au 1-800-487-5951, ou alors envoyer un courriel à l'adresse emissions@husqvarnagroup.com ou warranty@hpp-emissions.com.

DATE D'ENTRÉE EN VIGUEUR DE LA GARANTIE

La période de garantie commence à la date à laquelle le moteur ou le matériel est livré à l'acheteur final.

DURÉE DE LA COUVERTURE

Husqvarna Professional Products, Inc. garantit au dernier acheteur et à chacun des propriétaires suivants que le petit moteur ou l'équipement hors route a été conçu, construit et équipé dans le respect de toutes les réglementations applicables édictées par l'EPA et le CARB et est exempt de tout défaut matériel ou de fabrication pouvant provoquer la panne d'une pièce garantie pendant une période de deux ans.

ÉLÉMENTS COUVERTS

REPARATION OU REMPLACEMENT DES PIÈCES :

La réparation ou le remplacement de toute pièce garantie qui est défectueuse sera effectué sans frais dans un centre de services agréé par la marque. À l'exclusion des réparations et des remplacements couverts par la présente garantie, il est possible de choisir un atelier de réparation ou toute autre personne pour entretenir, remplacer ou réparer les dispositifs et systèmes de contrôle des émissions. Cependant, Husqvarna Professional Products, Inc. recommande que toutes les opérations d'entretien, de remplacement et de réparation des dispositifs et systèmes de contrôle des émissions soient effectuées dans un centre de services agréé par la marque.

IMPORTANT :Le présent produit est conforme à la réglementation de la Phase 3 de l'Environmental Protection Agency (EPA) des États-Unis en ce qui concerne les émissions d'échappement et d'évaporation. Afin de garantir le respect des règlements de l'EPA Phase 3 des États-Unis, du California Air Resources Board et d'Environnement et Changement climatique Canada, nous recommandons d'utiliser uniquement des pièces de rechange de la marque du produit d'origine. L'utilisation de pièces de rechange non conformes est une infraction à la législation fédérale et à celle de certains États.

PÉRIODE DE GARANTIE : Toute pièce garantie dont le remplacement n'est pas prévu dans le cadre du programme d'entretien obligatoire ou dont la seule mesure prévue est l'inspection régulière avec « réparation ou remplacement au besoin » est garantie pendant deux ans (ou pendant la durée stipulée dans la garantie du produit, selon la période la plus longue) à compter de sa date d'achat par l'acheteur initial. Toute pièce garantie dont le remplacement est prévu par le calendrier d'entretien obligatoire est garantie pendant la période écoulée jusqu'au premier remplacement prévu de la pièce. Toute pièce réparée ou remplacée en vertu de la garantie est couverte pendant la période de garantie restante.

DIAGNOSTIC : Vous n'avez pas à payer pour le diagnostic permettant de conclure que la pièce garantie est défectueuse, à condition qu'un tel diagnostic soit effectué dans un atelier d'entretien agréé.

AUTRES DOMMAGES : Husqvarna Professional Products, Inc. réparera les autres composants du moteur endommagés par suite de la défaillance d'une pièce sous garantie.

LISTE DES PIÈCES COUVERTES PAR LA GARANTIE DE CONTRÔLE DES ÉMISSIONS

1. Pièces du carburateur et du système d'admission ou système d'injection.
2. Filtre à air et filtre à carburant couverts dans la limite du calendrier d'entretien.
3. Bougies d'allumage couvertes dans la limite du calendrier d'entretien.
4. Module d'allumage.
5. Silencieux avec catalyseur et collecteurs d'échappement.
6. Réservoir de carburant, conduites de carburant (pour le carburant et les vapeurs de carburant), bouchon de réservoir, réservoir à charbon actif, clapet antiretour en cas de retournement et clapets antibalottement si applicable.
7. Commandes électroniques, soupapes et interrupteurs sensibles au vide, à la température et au temps.
8. Flexibles, raccords et ensembles.
9. Tous les autres composants, dont la défaillance augmenterait les émissions d'échappement et d'évaporation d'un polluant quelconque par le moteur, comme énoncé ci-dessous :

- Pour la Californie, voir le California Code of Regulations, 13 CCR §2405(d) et 2760(d).
- Pour les États-Unis et le Canada, se reporter au US Federal Code of Regulations, 40 C.F.R 1068 Appendix I (iii).

ÉLÉMENTS NON COUVERTS

Toutes les pannes dues à un abus, à de la négligence, à des modifications non approuvées, à une utilisation ou à un entretien inadéquat ne sont pas couvertes.

PIÈCES COMPLÉMENTAIRES OU MODIFIÉES

Aucune pièce complémentaire ou modifiée non affranchie par la CARB ou l'EPA ne peut être utilisée. L'utilisation de pièces complémentaires ou modifiées non exemptées est un motif suffisant pour rejeter une demande d'indemnisation. Husqvarna Professional Products, Inc. n'a pas la responsabilité de garantir les pannes de pièces garanties provoquées par l'utilisation d'une pièce complémentaire ou modifiée non affranchie.

COMMENT PRÉSENTER UNE DEMANDE D'INDEMNISATION

Pour toute question relative à vos droits et responsabilités relativement à la garantie, communiquer avec le centre de services agréé le plus proche, appeler Husqvarna Professional Products, Inc. aux ÉTATS-UNIS au 1-800-487-5951, au CANADA au 1-800-805-5523, ou bien envoyer un courriel à l'adresse emissions@husqvarnagroup.com ou warranty@hqp-emissions.com.

OÙ JOINDRE LE SERVICE DE GARANTIE?

Les services de garantie ou de réparation sont assurés par tous les ateliers d'entretien Husqvarna Professional Products, Inc. agréés. Si le centre de réparation agréé le plus près se trouve à plus de 160 kilomètres de votre emplacement, Husqvarna Professional Products, Inc. arrangerait et paiera la livraison aller-retour vers un centre de réparation agréé par la marque ou arrangerait autrement la prestation du service au titre de la garantie, en conformité avec les règlements applicables.

ENTRETIEN, REMPLACEMENT ET RÉPARATION DES PIÈCES RELATIVES AUX ÉMISSIONS

Toute pièce de remplacement peut être utilisée pour procéder à un entretien ou à une réparation sous garantie et elle sera fournie sans frais pour le propriétaire. Un tel remplacement n'a pas pour effet de réduire les obligations du fabricant relativement à la garantie.

ATTESTATION D'ENTRETIEN

Le propriétaire est tenu de respecter l'entretien obligatoire prévu dans le manuel de l'utilisateur.

* L'année modèle courante et subséquente sera mise à jour annuellement dans la déclaration de garantie fournie au consommateur. Par exemple, 2012-2013 sera spécifié pour l'année modèle 2012.

** Pièces liées aux émissions par évaporation.



www.husqvarna.com

Original instructions
Instrucciones originales
Instructions d'origine

1142466-49



2020-07-10