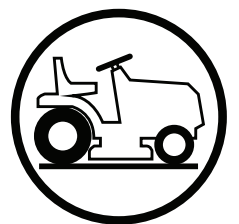


**Repair Parts Manual**  
**Manual De Repuestos**  
YTH1846 / 223840

Please read the operator's manual carefully and make sure you understand the instructions before using the machine.

Por favor lea cuidadosamente y comprenda estas instrucciones antes de usar esta maquina.



**English/Spanish**

**115 97 72-49 Rev. 6**



# HOW TO USE THIS MANUAL

This manual is designed to provide the customer with a means to identify the parts on his/her tractor when ordering repair parts. The illustrations may or may not represent the actual assemblies; therefore, it is not recommended to use this manual as a guide to assemble or disassemble the tractor. Some hardware and parts are drawn larger in order to more readily identify them.

Each tractor has its own model number. The model number for your tractor can be found on the fender under the seat.

## Support / Help

If you require assistance or have questions concerning the application, operation, maintenance or parts for your product:

- Visit our website: [www.husqvarna.com](http://www.husqvarna.com)
- Call Us Toll Free: 1-800-487-5951

When ordering parts, always give the following information:

- Product - "TRACTOR"
- MODEL NUMBER - "YTH1846" (223840)"
- Part Number
- Part Description

## TABLE OF CONTENTS

<b>SCHEMATIC</b> .....	<b>3</b>
<b>ELECTRICAL</b> .....	<b>4-5</b>
<b>CHASSIS</b> .....	<b>6-7</b>
<b>DRIVE</b> .....	<b>8-9</b>
<b>ENGINE</b> .....	<b>10-11</b>
<b>STEERING</b> .....	<b>12-13</b>
<b>MOWER DECK</b> .....	<b>14-15</b>
<b>MOWER LIFT</b> .....	<b>16</b>
<b>SEAT</b> .....	<b>17</b>
<b>DECALS</b> .....	<b>18</b>

## COMO UTILIZAR ESTE MANUAL

Este manual está diseñado para brindarle al comprador un medio para identificar las piezas del tractor para cuando necesite hacer el pedido de un repuesto. Las ilustraciones pueden o no representar los ensambles reales; por lo tanto, no se recomienda utilizar este manual como una guía para ensamblar o desarmar el tractor. Algunos accesorios y piezas están dibujados en tamaños más grandes para identificarlos con mayor facilidad.

Cada tractor tiene su propio número de modelo. El número de modelo del tractor se encuentra en el guardabarros debajo del asiento.

## Soporte / Ayuda

Si necesita asistencia o tiene alguna pregunta acerca de la aplicación, operación, mantenimiento o piezas de su producto:

- Visite nuestro sitio web: [www.husqvarna.com](http://www.husqvarna.com)
- Llámenos de manera gratuita al: 1-800-487-5951

Cuando haga el pedido de una pieza, siempre brinde la siguiente información:

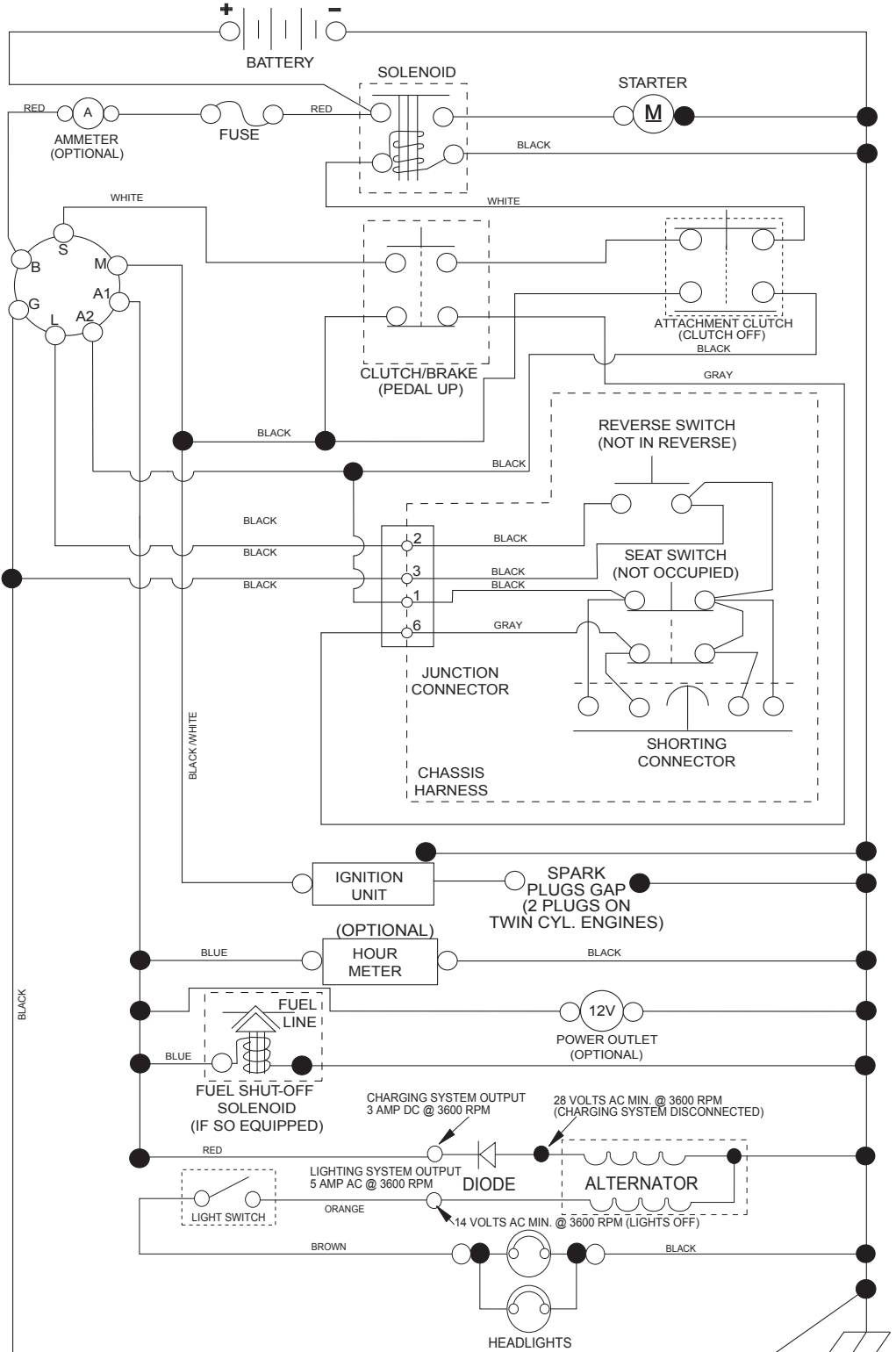
- Producto: "TRACTOR"
- NÚMERO DE MODELO: "YTH1846" (223840)"
- Número de pieza
- Descripción de la pieza

## ÍNDICE

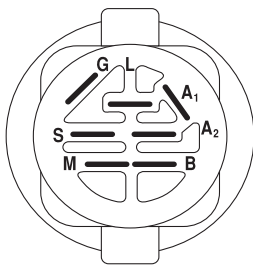
<b>DIAGRAMA</b> .....	<b>19</b>
<b>DIAGRAMA ELÉCTRICO</b> .....	<b>20-21</b>
<b>CHASIS</b> .....	<b>22-23</b>
<b>TRANSMISIÓN</b> .....	<b>24-25</b>
<b>MOTOR</b> .....	<b>26-27</b>
<b>DIRECCIÓN</b> .....	<b>28-29</b>
<b>PLATAFORMA DE LA CORTADORA DE CÉSPED</b> .....	<b>30-31</b>
<b>ELEVACIÓN DE LA CORTADORA DE CÉSPED</b> .....	<b>32</b>
<b>ASIENTO</b> .....	<b>33</b>
<b>CALCOMANÍAS</b> .....	<b>34</b>

# TRACTOR - - MODEL NUMBER YTH1846 (223840), PRODUCT NO. 917.22384 SCHEMATIC

SCH11

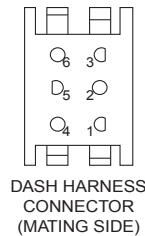
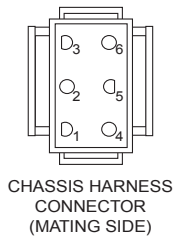


**NOTE**  
YOUR TRACTOR IS EQUIPPED WITH A SPECIAL ALTERNATOR SYSTEM. THE LIGHTS ARE NOT CONNECTED TO THE BATTERY, BUT HAVE THEIR OWN ELECTRICAL SOURCE. BECAUSE OF THIS, THE BRIGHTNESS OF THE LIGHTS WILL CHANGE WITH ENGINE SPEED. AT IDLE THE LIGHTS WILL DIM. AS THE ENGINE IS SPEEDED UP, THE LIGHTS WILL BECOME THEIR BRIGHTEST.



IGNITION SWITCH

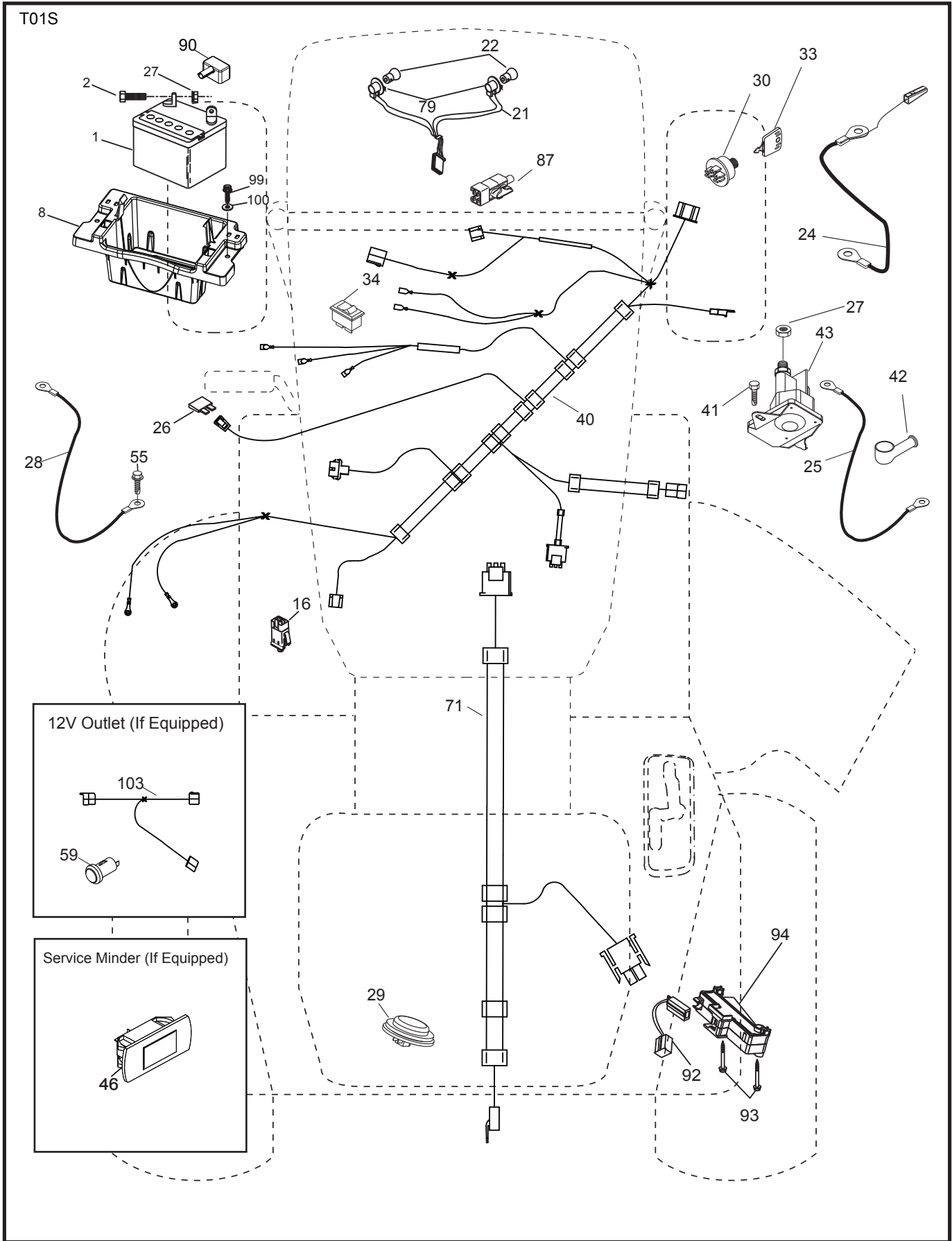
POSITION	CIRCUIT "MAKE"
OFF	M+G+A1
RUN/OVERRIDE	B+A1
RUN	B+A1 L+A2
START	B + S + A1



WIRING INSULATED CLIPS  
NOTE: IF WIRING INSULATED CLIPS WERE REMOVED FOR SERVICING OF UNIT, THEY SHOULD BE RE-INSTALLED TO PROPERLY SECURE YOUR WIRING.

NON-REMOVABLE CONNECTIONS  
REMOVABLE CONNECTIONS

**TRACTOR -- MODEL NUMBER YTH1846 (223840), PRODUCT NO. 917.22384**  
**ELECTRICAL**



**TRACTOR - - MODEL NUMBER YTH1846 (223840), PRODUCT NO. 917.22384  
ELECTRICAL**

<b>KEY NO.</b>	<b>PART NO.</b>	<b>DESCRIPTION</b>
1	532 16 34-65	Battery
2	874 76 04-12	Bolt Hex Head 1/4-20 x 3/4
8	532 41 41-26	Box Battery
16	532 17 61-38	Switch Interlock Push-In
21	532 40 02-52	Harness Socket Light w/4152J
22	532 00 41-52	Bulb Light
24	585 55 56-01	Cable 8 Ga.
25	585 55 55-01	Cable Starter
26	532 17 51-58	Fuse
27	596 13 36-01	Locknut, Keps. 1/4-20
28	532 41 65-88	Cable, Ground
29	532 40 15-45	Switch, Seat
30	532 19 33-50	Switch, Ign
33	532 41 19-33	Key/Chain
34	532 11 07-12	Switch Light/Reset
40	501 13 30-01	Harness Ign. Dash
41	817 72 04-08	Screw Thd Cut 1/4-20 x 1/2
42	532 13 15-63	Cover Terminal
43	582 04 28-02	Solenoid, W/Brass, Plunger, ZN
55	817 06 05-12	Screw Thdrol 5/16-18 x 3/4
71	532 19 42-76	Harness Chassis
79	532 17 52-42	Socket Asm Bulb Twistlock
87	532 19 78-02	Switch Interlock Clutch Cable
90	532 43 53-95	Cover, Terminal Battery
92	532 19 66-15	Harness Pigtail Console
93	596 03 96-01	Bolt, Hex. 10-14 x 2-1/8
94	532 19 18-34	Module Reverse ROS
99	817 67 04-12	Screw
100	596 13 53-01	Washer, Plain 9/32 x 7/8 Clr. Zn.

**NOTE:** All component dimensions given in U.S. inches  
1 inch = 25.4 mm



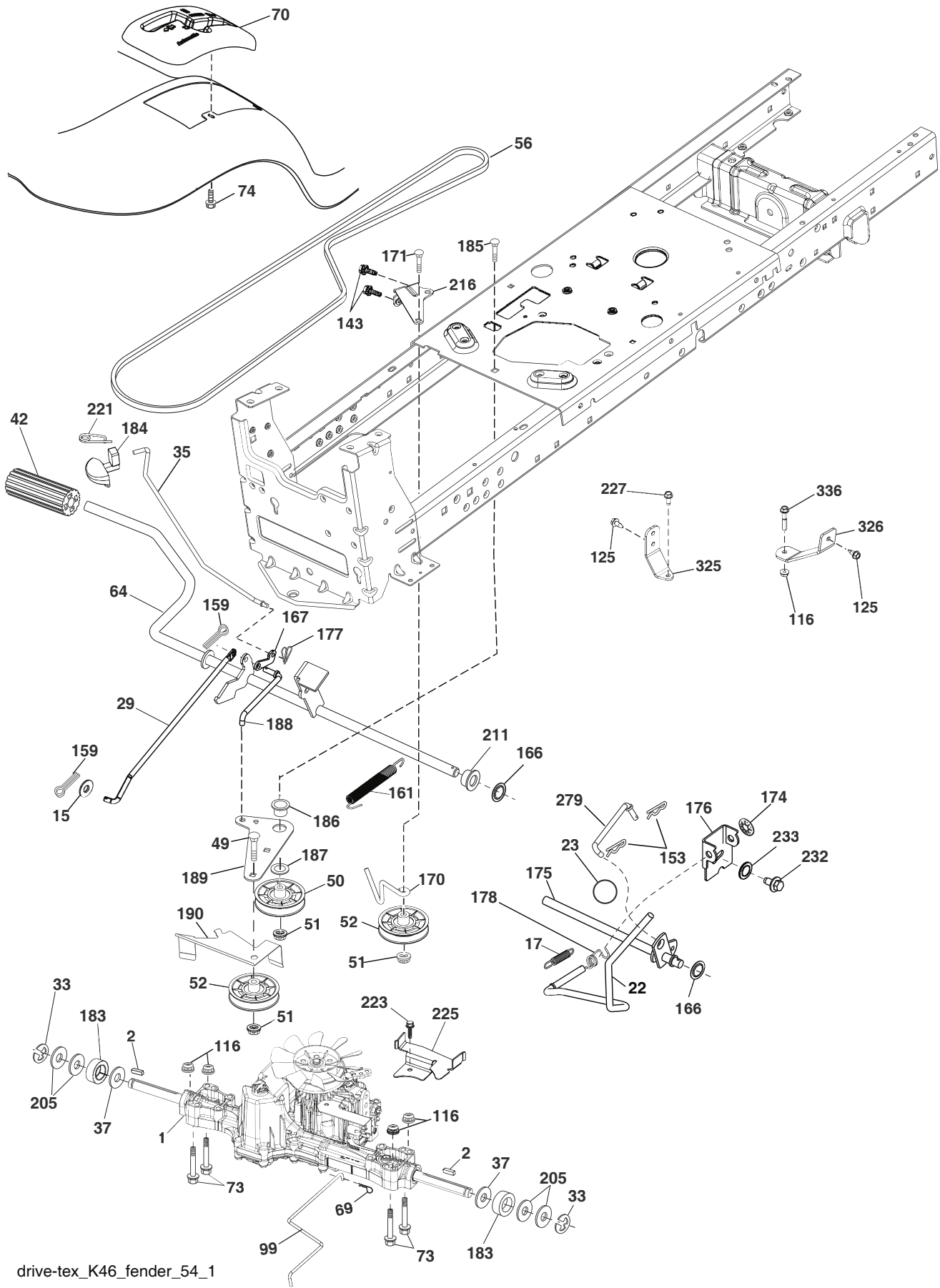
# TRACTOR - - MODEL NUMBER YTH1846 (223840), PRODUCT NO. 917.22384

## CHASSIS

KEY NO.	PART NO.	DESCRIPTION	KEY NO.	PART NO.	DESCRIPTION
3	532 44 44-81	Applique Sub Asm.	191	532 43 74-55	Insert Reflective RH
5	590 74 88-18	Dashboard, Upper, Asm. Gt2 x 498	194	596 13 57-01	Nutlock, Prvl, Torq. 5/16-18 x .68
14	532 44 11-77	Hood	195	532 40 41-37	Plug Dash
15	532 43 97-33	Lens LH	196	532 43 96-47	Console Asm. Deck Lift
18	587 52 34-01	Grille, Subasm. GT II Low, Hdlight.	202	532 43 97-28	Vent Side Hood RH
25	532 44 33-85	Lens RH	203	532 43 97-27	Vent Side Hood LH
34	580 91 08-01	Plate Engine	204	587 48 58-01	Vent, Top, Asm.
36	817 06 05-12	Screw 5/16-18 x 3/4	205	532 43 97-30	Trim Side RH
37	532 44 11-78	Fender	206	532 43 97-29	Trim Side LH
52	596 04 05-01	Nutlock, Hex. Prvl. 5/16-18	207	587 46 48-01	Headlight, Cup, Bezel, Hus., RH
62	596 72 82-01	Bolt, Carri. 3/8-16 x 1" Gr. 5	208	587 46 45-01	Headlight, Cup, Bezel, Hus., LH
68	596 03 07-01	Screw, Hexagon, 5/16-18 x 1/2	213	596 03 05-01	Bolt, Hex. Hd. 5/16-18 unc x 3/4
118	596 56 53-01	Washer, 3/8 x 0.08 in. St. Clr. Zinc	214	532 19 91-45	Clip Retainer
119	596 32 26-01	Nut. Crownlock 3/8-16 unc.	217	532 40 91-67	Rod Pivot Hood
125	581 68 48-01	Clip Fuel Line	218	532 19 63-95	X-Piece Hood Stop
130	596 32 17-01	Screw, #10 x 0.750 BOS Thread	228	593 82 40-01	Stud, W/"D" Anti-rotation
137	532 40 75-90	Bumper Dash	235	596 56 42-01	Spacer, Fender, Clr. Zn
138	532 43 97-47	Cupholder	236	873 93 05-00	Nut Lock 5/16-18 unc
146	581 85 79-01	Bolt 3/8-16 x 5/8	287	817 60 04-06	Screw Hex Washhead 1/4-20 x 3/8
150	532 43 99-21	Air Duct	297	532 43 74-56	Insert Reflective LH
151	532 43 66-70	Hood Pivot Bracket	306	873 90 06-00	Nut Lock 3/8-16 unc
152	532 43 98-70	Shield Browning	334	532 44 25-37	Bracket, Engine
159	817 00 06-12	Screw Hexwash Thor 3/8-16 x 3/4	335	532 44 82-04	Cover RH
161	532 43 97-81	Console Fuel Window	336	532 44 53-09	Cover LH
162	596 13 41-01	Screw, Hex. Tap. 1/4-15 x 1/2	350	532 44 51-43	Clip X-mas Tree
165	532 19 68-26	Support Tank	375	586 90 82-01	Dash Clip-On Bumper
175	590 60 77-02	Crossmember Plate	378	590 84 98-01	Bushing, Flange, Plastic
176	532 40 07-76	Screw 10-24 x 5/8	--	532 43 99-76	Dash Plug Reminder
177	532 19 52-28	Bushing Steering			
180	532 19 54-57	Chassis			
181	532 43 97-46	Bushing Mtg. Fender Crgo			
182	586 73 86-02	Dash Lower			
183	595 30 57-01	Screw, Hexagon, 5/16-18 x 1-1/4			
189	817 00 05-12	Screw 5/16-18 x 3/4			

**NOTE:** All component dimensions given in U.S. inches  
1 inch = 25.4 mm

# TRACTOR -- MODEL NUMBER YTH1846 (223840), PRODUCT NO. 917.22384 DRIVE



drive-tex\_K46\_fender\_54\_1



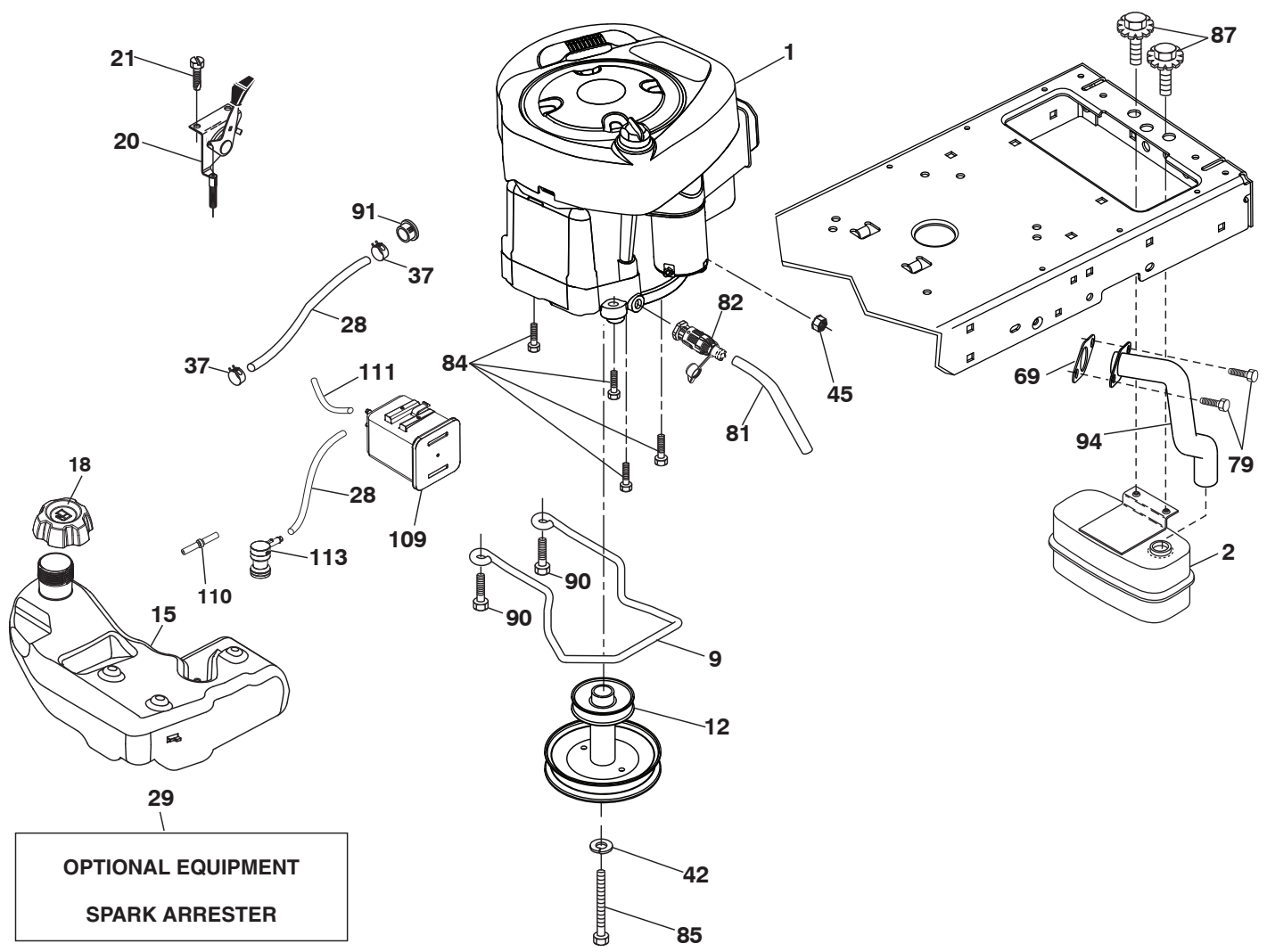
# TRACTOR - - MODEL NUMBER YTH1846 (223840), PRODUCT NO. 917.22384

## DRIVE

KEY NO.	PART NO.	DESCRIPTION	KEY NO.	PART NO.	DESCRIPTION
1	-----	Transaxle Tufftorq K46 BA (448348)(Order parts from transaxle manufacturer.)	171	596 13 63-01	Bolt, Cup, head 3/8-16 x 2
2	532 12 35-83	Key Square	174	532 19 72-89	Nut Push
15	596 56 53-01	Washer, 3/8 x 0.08 in. St. Clr. Zinc	175	532 40 62-08	Shaft Asm Shift
17	532 41 36-78	Spring, Brake	176	532 19 62-14	Arm Clevis Rod Shift
22	532 19 76-60	Rod Shift	177	587 22 53-01	Pin, Cotter, Locking, Bowtie, 1 In.
23	532 14 08-45	Knob	178	532 19 74-56	Spring Shift
29	532 40 38-06	Rod, Brake	183	532 13 70-57	Spacer Axle
33	812 00 00-01	Ring E	184	587 65 37-01	Handle Parking Brake
35	590 60 59-02	Rod, Control, Park LT	185	872 11 06-22	Bolt
37	532 18 89-67	Washer Hardened	186	532 19 43-21	Spacer Retainer
42	532 00 88-83	Cover, Pedal, Blk. Round	187	596 13 55-01	Washer, 13/32 x 2 Clear, Zinc
49	596 13 62-01	Bolt, Cup Head, 3/8-16 x 3/4	188	582 21 70-01	Link Clutch Ground Drive
50	532 19 43-27	Pulley Idler Flat	189	532 19 43-17	Bellcrank Ground Drive
51	873 90 06-00	Lock Nut 3/8-16	190	532 19 43-18	Keeper Bellcrank Ground Drive
52	532 19 43-26	Idler V-Groove 910" Offset	205	532 12 17-48	Washer 25/32 x 1-5/8 x 16 Ga.
56	592 85 52-01	Belt, Drive, Tex. K46	211	532 19 62-12	Bushing
64	532 19 62-00	Shaft Asm. Pedal Brake Control	216	532 19 61-31	Bracket Pulley Idler
69	532 42 33-03	Hairpin Soft Zinc	221	532 40 31-87	Retainer Spring Clip Handle
70	532 43 99-71	Console Shift	223	598 66 26-01	Bolt, T45. 5/16-18 x .75 Hexhd Blk
73	596 13 65-01	Bolt, Hex. Head, 5/16-18 x 1-1/2	225	532 40 33-19	Keeper Belt Trans
74	596 13 41-01	Screw, Hex. Tap 1/4-15 x 1/2	227	596 13 59-01	Bolt, Hex. 5/16-18 x 3/4 Clr. Znc.
99	582 40 45-01	Rod Spring Bypass	232	596 23 86-01	Bolt, Hex. 7/16-14 x 1 Clr. Znc.
116	596 13 57-01	Nutlock, Prvl. Torq. 5/16-18 x .68	233	596 13 52-01	Washer, Lock, 0.47 x 1 Clear, Zin
125	817 00 05-12	Screw 5/16-18 x 3/4	279	532 40 62-07	Link Shift
143	596 03 07-01	Screw, Hexagon, 5/16-18 x 1/2	325	585 66 85-01	Torque Strap K46 LH
153	532 00 44-97	Retainer, Spring, 1" Zinc/CAD	326	585 67 08-01	Bracket Trq K46 RH
159	596 02 95-01	Pin, Cotter, 1/8 Dia. x 3/4	336	587 25 96-02	Bolt 5/16-18 x 1-3/4 Flanged
161	532 10 57-09	Spring, Return, Clutch			
166	532 42 91-64	Nut Push .625			
167	532 40 52-57	Latch Brake Parking			
170	532 19 43-22	Keeper Belt Centerspan			

**NOTE:** All component dimensions given in U.S. inches  
1 inch = 25.4 mm

**TRACTOR - - MODEL NUMBER YTH1846 (223840), PRODUCT NO. 917.22384  
ENGINE**



engine-tex\_BS\_153

**TRACTOR - - MODEL NUMBER YTH1846 (223840), PRODUCT NO. 917.22384  
ENGINE**

<b>KEY NO.</b>	<b>PART NO.</b>	<b>DESCRIPTION</b>
1	-----	Engine Briggs Model No. 33R777-0009-G1(588640901) (Order parts from engine manufacturer.)
2	590 64 53-01	Muffler
9	596 50 15-02	Keeper, Belt, Engine, 4.25" Raw
12	586 72 89-01	Pulley Engine
15	599 83 76-01	Fuel, Tank, Asm. 3 Gal. Rr 2020
18	599 50 22-01	Fuel, Cap, Asm. 3" W/Grease
20	532 18 38-97	Control Throttle
21	596 32 17-01	Screw, #10 x 0.750 BOS Thread
28	532 40 11-35	Fuel Line
29	532 13 71-80	Spark Arrester Kit
37	532 12 34-87	Clamp Hose
42	596 23 89-01	Washer, 7/16 in. Clr. Zn
45	596 13 36-01	Locknut, Keps. 1/4-20
69	532 16 52-91	Gasket
79	596 13 42-01	Screw, Hex. Socket, 5/16-18 x 3/4
81	532 14 84-56	Tube Drain Oil Easy
82	532 42 82-87	Valve Drain Oil
84	817 06 06-20	Screw 3/8-16 x 1/4
85	501 60 65-01	Bolt Hex 7/16-20 x 4 Gr. 5
87	532 17 18-77	Bolt 5/16-18 unc x 3/4 w/sems
90	817 00 06-16	Screw 3/8-16 x 1
91	532 18 74-95	Bushing 1.375 OD. Heyco 2210
94	581 88 09-01	Exhaust Tube
109	532 41 41-14	Canister Carbon Filter
110	532 41 41-18	Valve Asm. Anti-Slosh
111	596 94 15-01	Tube, Purge, Fuel .1875"
113	532 41 41-27	Valve slant Cartdg.

**NOTE:** All component dimensions given in U.S. inches  
1 inch = 25.4 mm

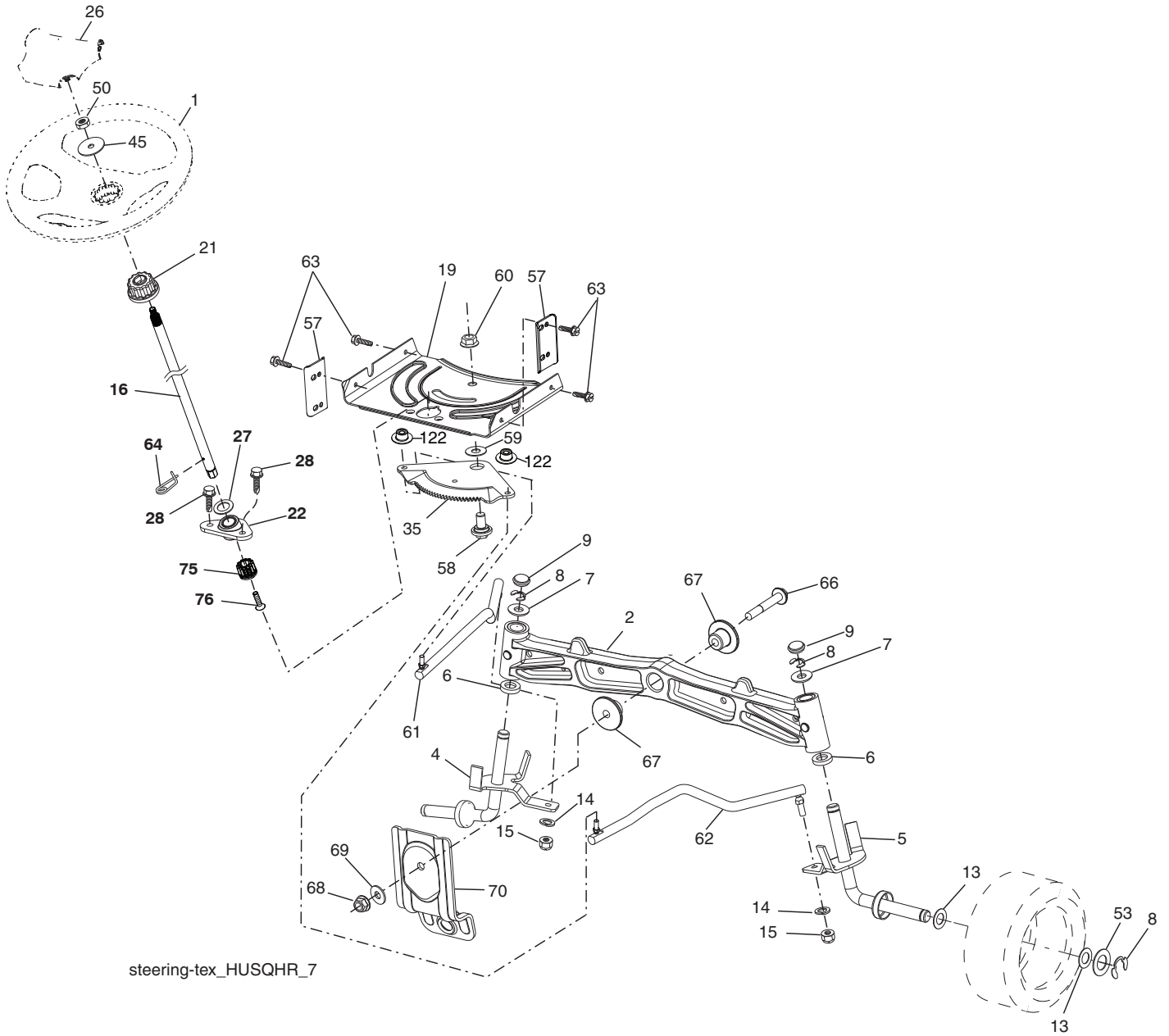
For engine service and replacement parts, call the toll free number for your engine manufacturer listed below:

Briggs & Stratton                      1-800-233-3723

**Engine Power Rating Information**

The gross power rating for individual gas engine models is labeled in accordance with SAE (Society of Automotive Engineers) code J1940 (Small Engine Power & Torque Rating Procedure), and rating performance has been obtained and corrected in accordance with SAE J1995 (Revision 2002-05). Torque values are derived at 3060 RPM; horsepower values are derived at 3600 RPM. Actual gross engine power will be lower and is affected by, among other things, ambient operating conditions and engine-to-engine variability. Given both the wide array of products on which engines are placed and the variety of environmental issues applicable to operating the equipment, the gas engine will not develop the rated gross power when used in a given piece of power equipment (actual "on-site" or net power). This difference is due to a variety of factors including, but not limited to, accessories (air cleaner, exhaust, charging, cooling, carburetor, fuel pump, etc.), application limitations, ambient operating conditions (temperature, humidity, altitude), and engine-to-engine variability. Due to manufacturing and capacity limitations, Briggs & Stratton may substitute an engine of higher rated power for this Series engine.

**TRACTOR - - MODEL NUMBER YTH1846 (223840), PRODUCT NO. 917.22384**  
**STEERING ASSEMBLY**



steering-tex\_HUSQHR\_7

**TRACTOR - - MODEL NUMBER YTH1846 (223840), PRODUCT NO. 917.22384  
STEERING ASSEMBLY**

<b>KEY NO.</b>	<b>PART NO.</b>	<b>DESCRIPTION</b>
1	532 43 99-97	Wheel, Steering
2	532 19 59-68	Axle Asm., Front
4	532 40 30-87	Spindle Asm., LH
5	532 40 30-88	Spindle Asm., RH
6	532 00 62-66	Washer, Thrust, .75 x 1.230
7	532 12 17-48	Washer 25/32 x 1-5/8 x 16 Ga.
8	812 00 00-29	Ring, Klip #T5304-75
9	532 12 12-32	Cap, Spindle
13	532 12 17-49	Washer 25/32 x 1-1/4 x 16 Ga.
14	596 23 87-01	Washer, Spring, Lock, .381 ID x .680
15	873 54 06-00	Nut, Crown Lock 3/8-24 unf
16	587 01 60-02	Shaft Steering
19	532 19 47-29	Plate Steering
21	586 84 02-01	Adapter Wheel Steering
22	585 02 98-02	Bearing
26	532 43 97-43	Insert, Wheel Steering
27	596 93 34-01	Washer, Plain
28	817 00 06-12	Screw 3/8-16 x 3/4
35	532 19 47-32	Gear, Sector Plate
45	587 01 64-01	Washer 3/8 ID 2-3/8 OD 12 Ga. PLTD
50	873 90 06-00	Nut Lock Flg 3/8-16 unc
53	532 18 89-67	Washer Hardened .793 x 1.637 x .060
57	532 40 74-65	Bracket Upstop
58	532 19 47-47	Bolt Shoulder Sector Pivot CFM
59	532 19 47-48	Washer Thrust Sector Steering
60	873 97 10-00	Nut Flange Lock 5/8-11
61	532 19 47-40	Draglink, LH
62	532 19 47-41	Draglink, RH
63	817 00 05-12	Screw 5/16-18 x 3/4
64	532 19 98-49	Retainer Clip Spring Steering
66	871 02 07-48	Bolt Hex Fghd 7/16-14 x 3 Serr
67	532 19 47-37	Bushing PM Front Axle
68	873 90 07-00	Nut Lock Flange 7/16-14 Gr. 5
69	532 19 91-62	Washer 1.5 x .505 x .118
70	585 33 88-01	Bracket Deck Susp. Front
75	580 68 37-01	Pinion
76	580 68 36-01	Screw Head Sock
122	532 44 49-62	Cap Gear Sector

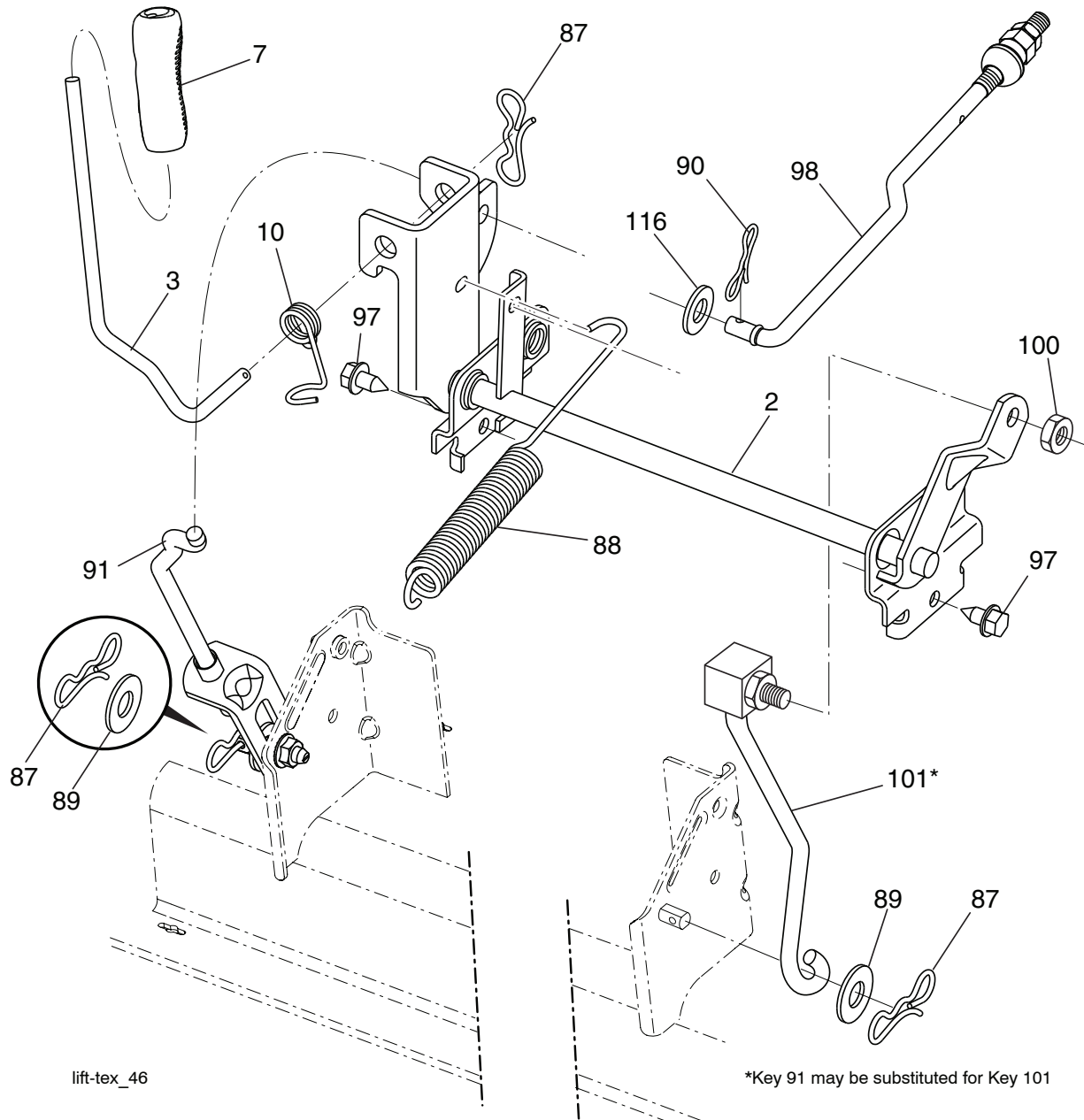
**NOTE:** All component dimensions given in U.S. inches  
1 inch = 25.4 mm







**TRACTOR - - MODEL NUMBER YTH1846 (223840), PRODUCT NO. 917.22384**  
**MOWER LIFT**



lift-tex\_46

\*Key 91 may be substituted for Key 101

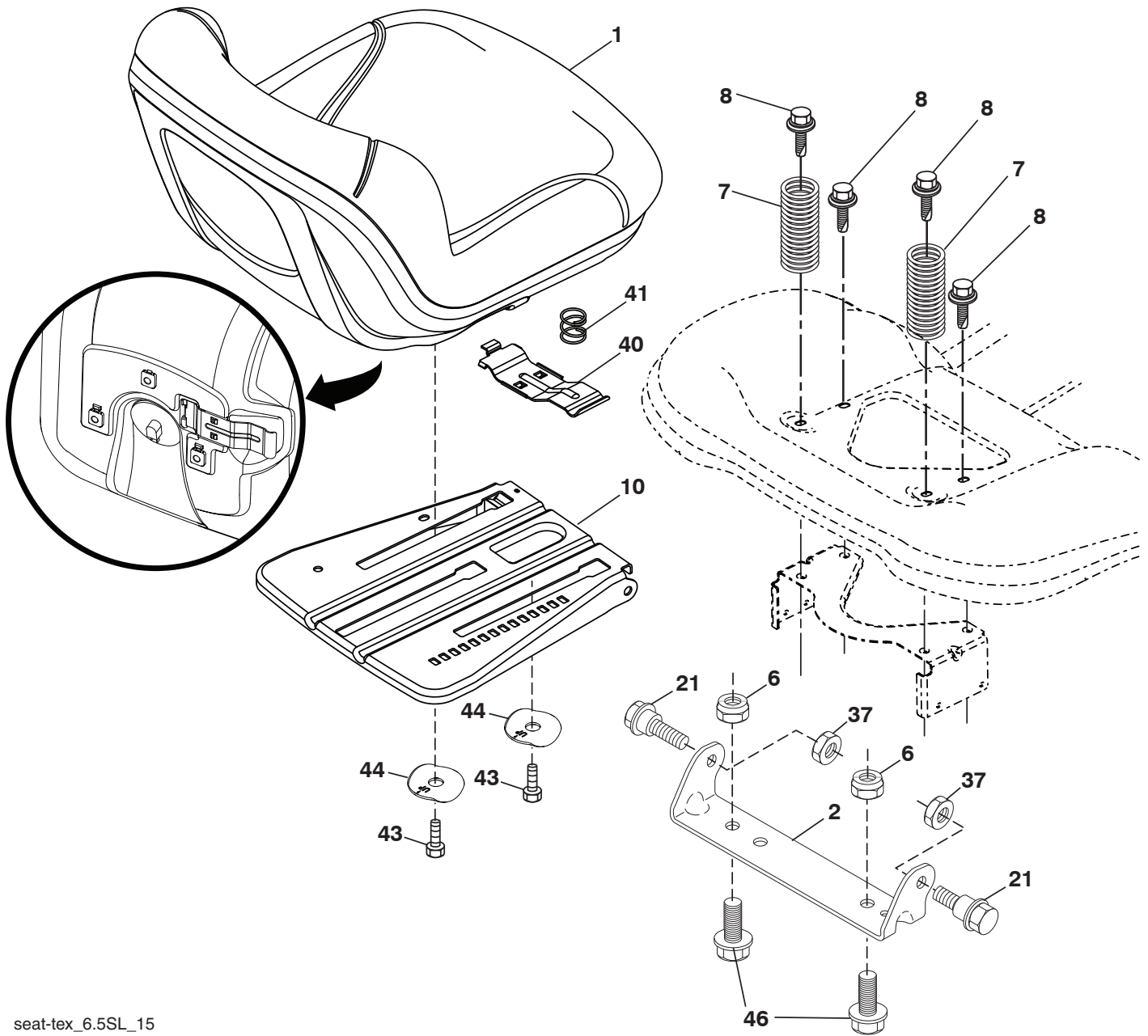
KEY NO.	PART NO.	DESCRIPTION
2	532 42 20-27	Shaft Asm., Lift
3	594 01 80-01	Handle, Liftlever, Lt, Std, Wide
7	580 96 23-01	Grip, Lever
10	532 19 63-14	Spring Torsion
87	532 19 42-09	Pin Cotter 7/16 Bow Tie Lock
88	532 41 07-10	Spring Lift Assist
89	819 19 19-12	Washer Clear Zinc
90	532 19 42-08	Pin Cotter 5/16 Bow Tie Lock
91	589 46 48-03	Link, Assy. Lift, Rear

KEY NO.	PART NO.	DESCRIPTION
97	817 00 06-12	Screw Hex Wsh. THDR 3/8-16 x 3/4
98	581 50 69-03	Link, Assy. Mwr. Front, Suspension
100	595 30 59-01	Nut, Hex. Locknut, 3/8-16
101	532 40 70-03	Link Asm. Fixed
116	819 15 15-16	Washer 15/32 x 15/16 x 16 Ga.

**NOTE:** All component dimensions given in U.S. inches  
 1 inch = 25.4 mm



# TRACTOR -- MODEL NUMBER YTH1846 (223840), PRODUCT NO. 917.22384 SEAT ASSEMBLY



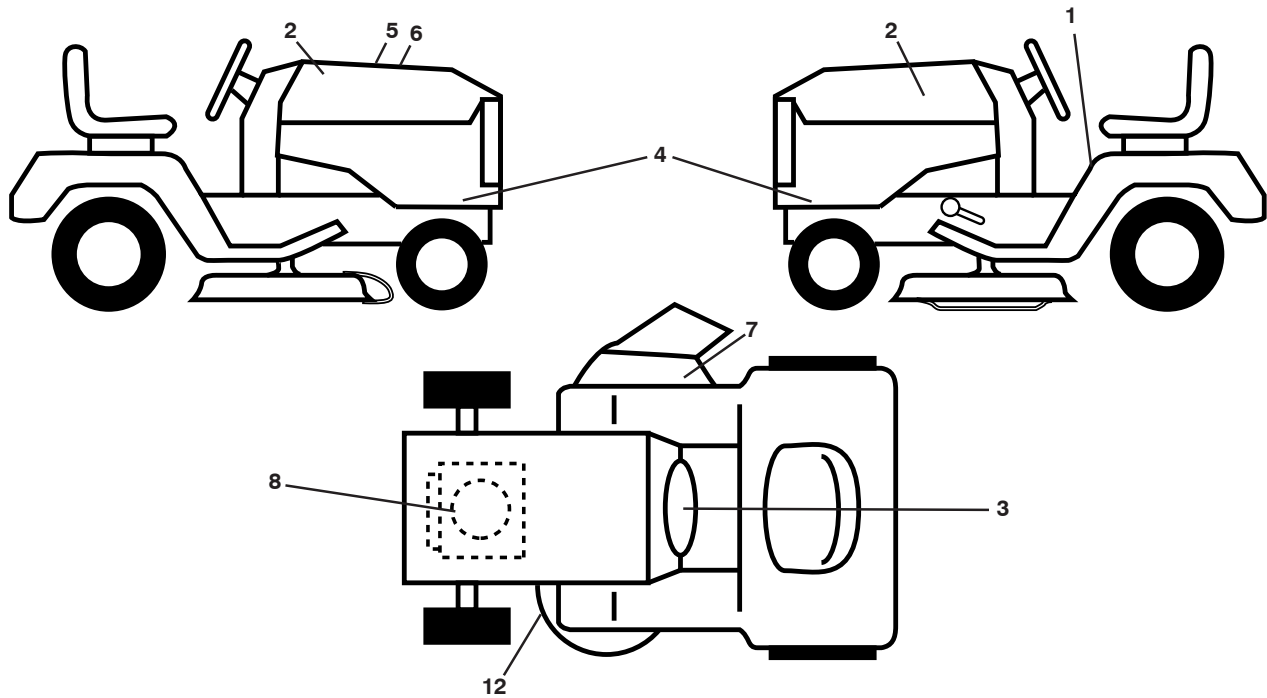
seat-tex\_6.5SL\_15

KEY NO.	PART NO.	DESCRIPTION
1	532 43 98-22	Seat
2	532 18 01-66	Bracket Pivot Fender
6	873 80 06-00	Nut, Lock w/Ins. 3/8-16 unc
7	589 48 35-01	Spring, Seat Cprsn
8	532 17 18-77	Bolt 5/16-18 unc x 3/4 w/Sems
10	596 65 74-02	Plate, Seat, Slide, 3Pt. Ms431
21	587 90 78-01	Bolt, Shoulder 5/16-18 x 5/8
37	596 58 37-02	Nut 5/16-18 Nyloc. Blk. Zinc
40	595 08 81-02	Handle, Seat, Slide, E-Dip, x 431

KEY NO.	PART NO.	DESCRIPTION
41	532 19 82-00	Spring Latch Seat
43	874 76 06-12	Bolt Fin Hex 3/8-16 unc x 3/4
44	501 05 18-01	Washer Winged 3/8 ID 1.5 OD
46	588 09 04-01	Bolt 3/8-16 x 1, 1.25 OD Wshr

**NOTE:** All component dimensions given in U.S. inches  
1 inch = 25.4 mm

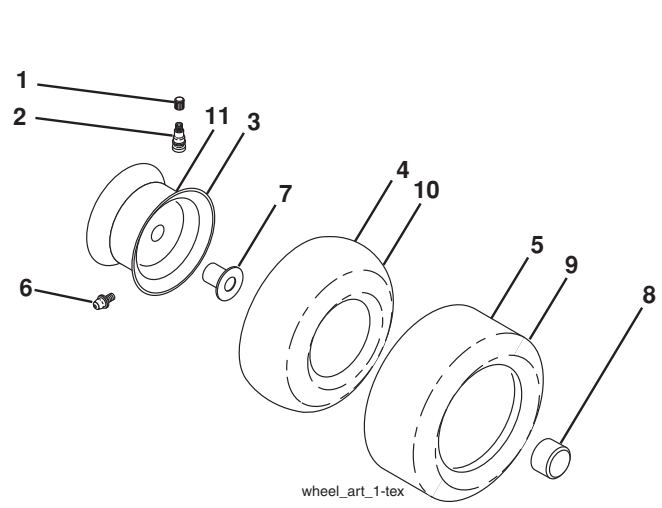
**TRACTOR -- MODEL NUMBER YTH1846 (223840), PRODUCT NO. 917.22384  
DECALS**



KEY NO.	PART NO.	DESCRIPTION
1	581 57 89-01	Decal, Fender Warn./Instructions
2	581 62 73-01	Decal, Hood Logo
3	596 02 42-01	Decal, Warning/Spark Arrestor
4	593 36 78-01	Decal, Side Panel
5	532 42 38-29	Decal, Customer Respons.
6	593 09 13-01	Decal, Replacement
7	584 90 46-01	Decal, Deflect. Warning
8	585 55 60-01	Decal, Engine

KEY NO.	PART NO.	DESCRIPTION
12	581 58 00-01	Decal, Mower V-Belt Schematic
--	581 72 48-01	Decal, Bypass
--	532 43 96-81	Pad, Footrest, LH
--	532 43 99-66	Pad, Footrest, RH
--	115 97 71-49	Manual, Operator's (English/Spanish)
--	115 97 72-49	Manual, Parts (English/Spanish)
--	587 71 00-26	Manual, Quick Start Guide (English/Spanish)

**WHEELS AND TIRES**



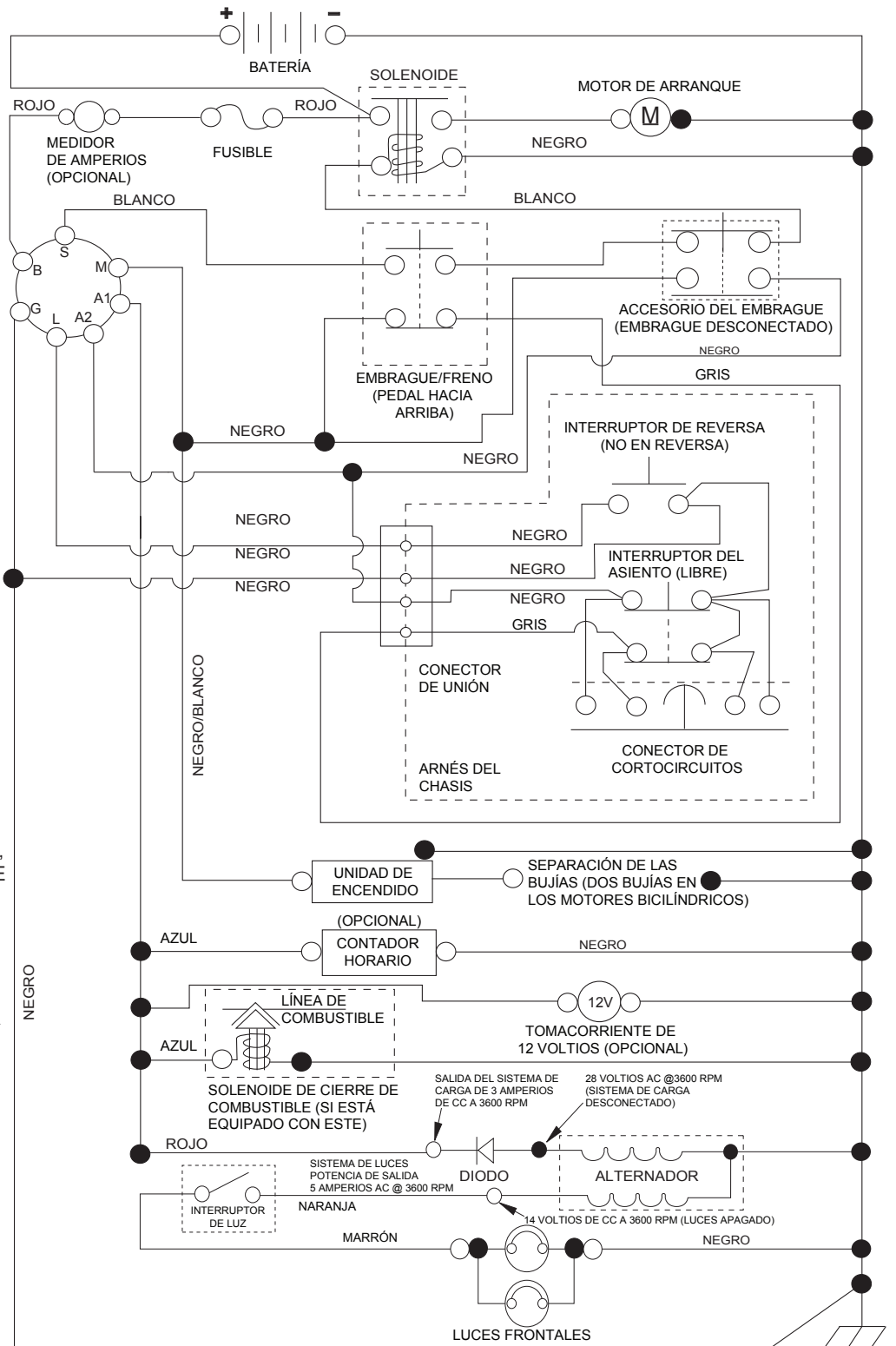
KEY NO.	PART NO.	DESCRIPTION
1	532 05 91-92	Cap Valve Tire
2	532 06 51-39	Stem Valve
3	532 13 83-36	Rim Asm 6" Front
4	532 05 99-04	Tube Front (Service Item Only)
5	532 10 62-22	Tire Front 15 x 6-6
6	532 00 02-78	Fitting, Grease
7	532 00 90-40	Bearing, Flange
8	532 17 50-39	Cap Axle
9	532 13 84-68	Tire Rear 20 x 8-8
10	532 00 71-52	Tube, Rear, 9.5 x 8 Service
11	532 13 83-37	Rim Asm 8" Rear
--	532 14 43-34	Sealant, Tire (10 oz. Tube)

**NOTE:** All component dimensions given in U.S. inches  
1 inch = 25.4 mm

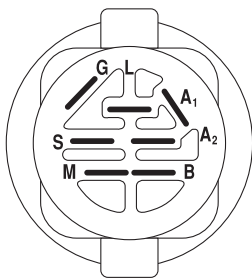
# TRACTOR - - MODELO NO. YTH1846 (223840), PRODUCTO NO. 917.22384

## DIAGRAMA

SCH11-s

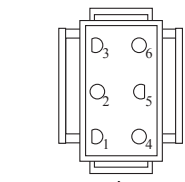


**NOTAS:**  
 QUE SU TRACTOR ES EQUIPADO CON UN SISTEMA ESPECIAL DE ALTERNADOR. LAS LUCES NO SON CONECTADAS A LA BATERIA, PERO TIENEN SU PROPIA FUENTE ELECTRICA. A CAUSA DE ESTO, EL BRILLO DE LAS LUCES CAMBIARA CON LA VELOCIDAD DE MOTOR. EN LENTO, LAS LUCES NO SON COMO BRILLANTES. CUANDO EL MOTOR ES ACELERADO, LA LUZ CONSEGUIRÁ MÁS BRILLANTE.

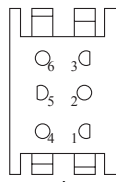


INTERRUPTOR DE ENCENDIDO

POSICIÓN	CIRCUITO «MARCA»
APAGADO	M+G+A1
PONER EN FUNCIONAMIENTO/ANULAR	B+A1
PONER EN FUNCIONAMIENTO	B+A1 L+A2
ARRANCAR	B + S + A1



CONEXIÓN DEL ARNÉS DEL CHASIS (LATERAL QUE COINCIDA)



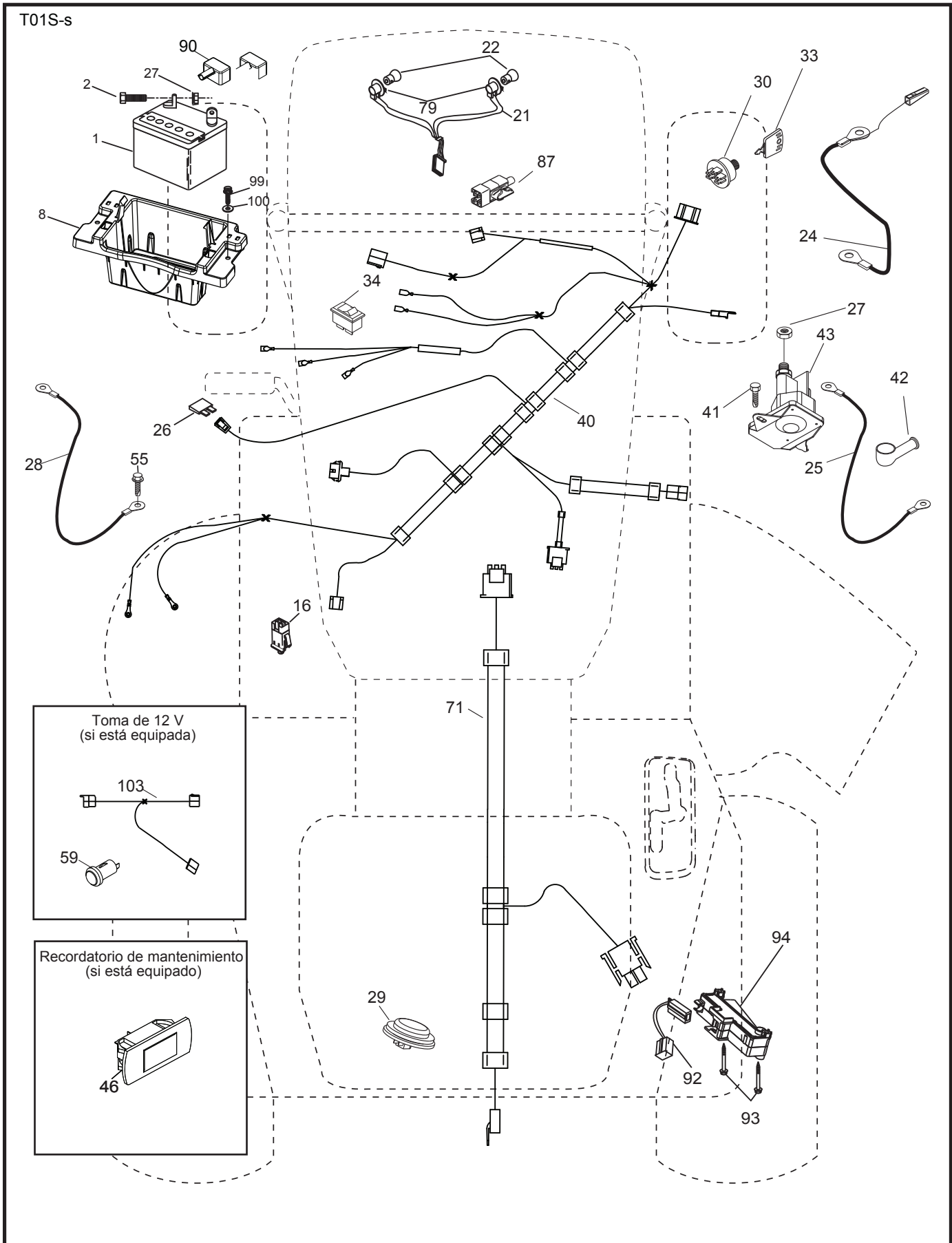
CONEXIÓN PARA EL ARNÉS DEL TABLERO (LATERAL QUE COINCIDA)

NOTA SOBRE LAS ABRAZADERAS DE AISLAMIENTO DEL CABLEADO: SI SE QUITAN LAS ABRAZADERAS DE AISLAMIENTO DEL CABLEADO PARA HACER EL MANTENIMIENTO DE LA UNIDAD, SE LAS DEBERÁ INSTALAR NUEVAMENTE PARA PROTEGER EL CABLEADO ADECUADAMENTE.

● CONEXIONES NO DESMONTABLES

○ CONEXIONES DESMONTABLES

**TRACTOR - - MODELO NO. YTH1846 (223840), PRODUCTO NO. 917.22384**  
**DIAGRAMA ELÉCTRICO**

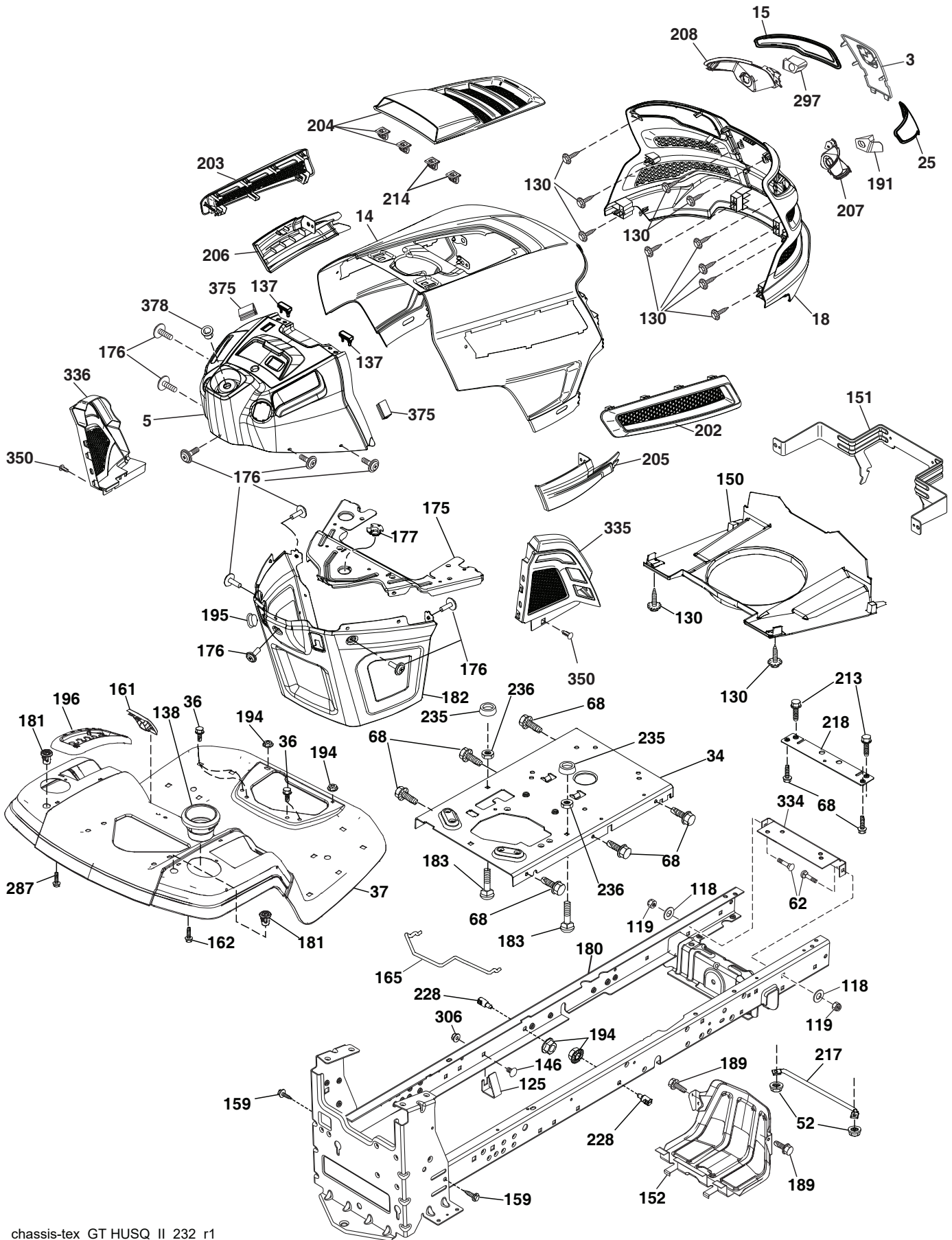


**TRACTOR - - MODELO NO. YTH1846 (223840), PRODUCTO NO. 917.22384**  
**DIAGRAMA ELÉCTRICO**

CÓDIGO PIEZA		DESCRIPCIÓN
No.	No.	
1	532 16 34-65	Batería
2	874 76 04-12	Perno de cabeza hexagonal de 1/4-20 x 3/4
8	532 41 41-26	Caja de la batería
16	532 17 61-38	Caja de la batería Interruptor corta corriente a presión
21	532 40 02-52	Cableado del enchufe para la luz c/4152J
22	532 00 41-52	Bombilla de luz
24	585 55 56-01	Cable calibre 8
25	585 55 55-01	Cable
26	532 17 51-58	Fusible
27	596 13 36-01	Tuerca de presión de 1/4-20
28	532 41 65-88	Cable a tierra
29	532 40 15-45	Interruptor del asiento
30	532 19 33-50	Interruptor de encendido
33	532 41 19-33	Llave/cadena
34	532 11 07-12	Interruptor de luz/de restauración
40	501 13 30-01	Cableado del tablero de encendido
41	817 72 04-08	Tornillo 1/4-20 x 1/2
42	532 13 15-63	Cubierta
43	582 04 28-02	Solenoide con émbolo de latón
55	817 06 05-12	Tornillo de 5/16-18 x 3/4
71	532 19 42-76	Cableado de encendido
79	532 17 52-42	Enchufe de cierre por torsión del ensamble de la bombilla
87	532 19 78-02	Enchufe de cierre por torsión del ensamble de la bombilla
90	532 43 53-95	Tapa de los bornes de la batería
93	596 03 96-01	Perno de 10-14 x 2-1/8
99	817 67 04-12	Tornillo
92	532 19 66-15	Cableado
94	532 19 18-34	Interruptor
99	817 67 04-12	Tornillo
100	596 13 53-01	Arandela de 9/32 x 7/8

**NOTA:** Las dimensiones de todos los componentes están expresadas en pulgadas americanas. 1 pulgada = 25,4 mm

TRACTOR -- MODELO NO. YTH1846 (223840), PRODUCTO NO. 917.22384  
CHASIS



# TRACTOR - - MODELO NO. YTH1846 (223840), PRODUCTO NO. 917.22384

## CHASIS

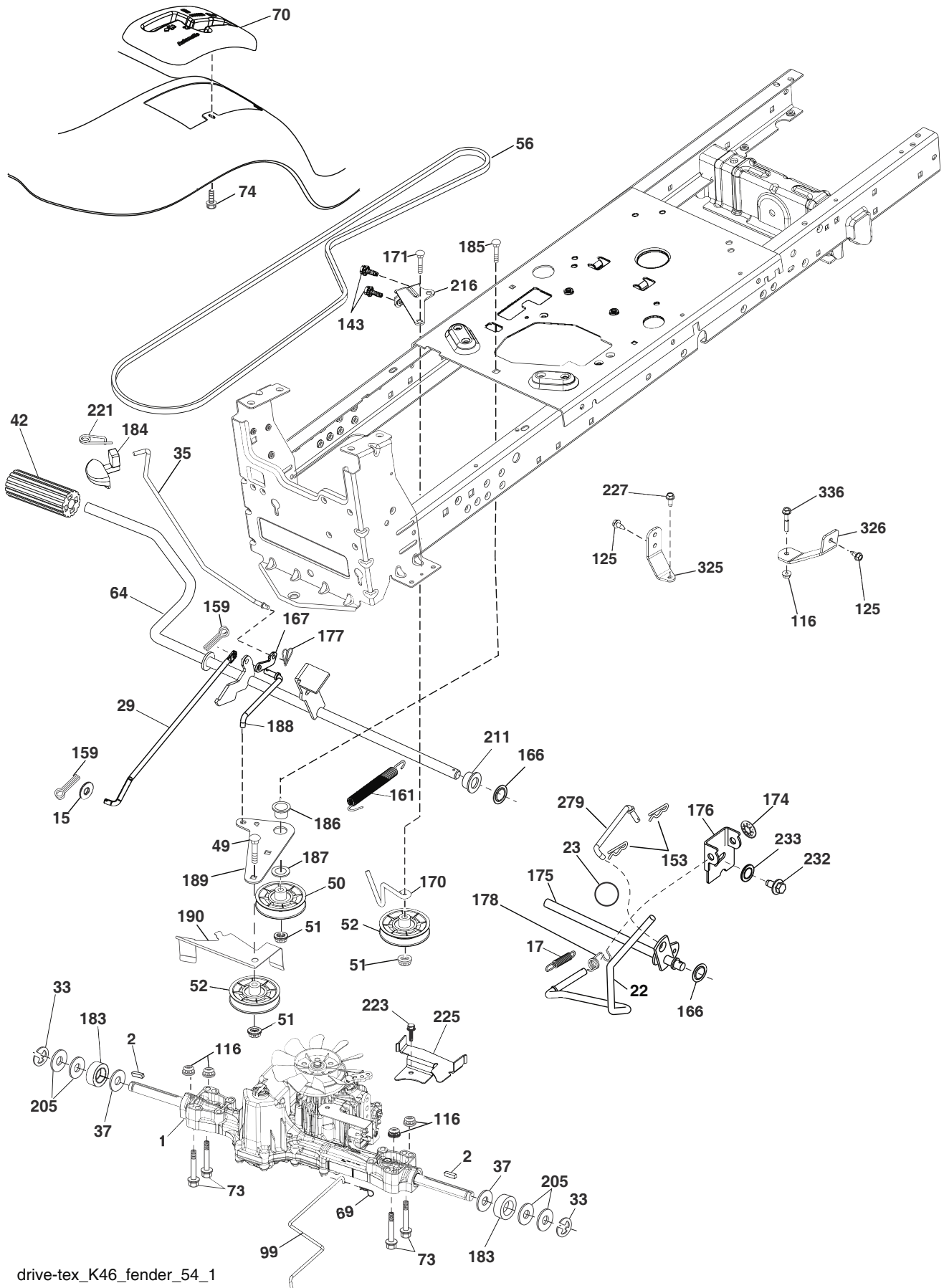
CÓDIGO PIEZA		DESCRIPCIÓN	CÓDIGO PIEZA		DESCRIPCIÓN
No.	No.		No.	No.	
3	532 44 44-81	Aplica Submontaje	191	532 43 74-55	Parrilla reflector (LD)
5	590 74 88-18	Tablero del tractor el montaje superior	194	596 13 57-01	Tuerca de presión de 5/16-18 x .68
14	532 44 11-77	Capota	195	532 40 41-37	Tablero tapón
15	532 43 97-33	Lente izquierdo de la parrilla	196	532 43 96-47	Ensamble de la consola de la plataforma de elevación
18	587 52 34-01	Parrilla	202	532 43 97-28	Salida de Ventilación (LD)
25	532 44 33-85	Lente derecho de la parrilla	203	532 43 97-27	Salida de Ventilación (LI)
34	580 91 08-01	Chapa Motor	204	587 48 58-01	Salida de Ventilación superior
36	817 06 05-12	Tornillo de 5/16-18 x 3/4	205	532 43 97-30	Camisa de Capota (LD)
37	532 44 11-78	Guardabarros	206	532 43 97-29	Camisa de Capota (LI)
52	596 04 05-01	Tuerca de presión de 5/16-18 x .18	207	587 46 48-01	Bisel derecho
62	596 72 82-01	Perno de 3/8-16 x 1"	208	587 46 45-01	Bisel izquierdo
68	596 03 07-01	Tornillo de 5/16-18 x 1/2	213	596 03 05-01	Perno de 5/16-18 unc x 3/4
118	596 56 53-01	Rondelle 3/8 x 0.08	214	532 19 91-45	Cierre
119	596 32 26-01	Tuerca de 3/8-16 unc	217	532 40 91-67	Varilla giratoria de capota
125	581 68 48-01	Línea de combustible	218	532 19 63-95	Tope
130	596 32 17-01	Tornillo de #10 x 0.750	228	593 82 40-01	Perno prisionero con anti rotación
137	532 40 75-90	Cubierta Tablero	235	596 56 42-01	Separador del guardabarros
138	532 43 97-47	Portavasos	236	873 93 05-00	Tuerca de presión 5/16-18 unc
146	581 85 79-01	Perno 3/8-16 x 5/8	287	817 60 04-06	Tornillo de 1/4-20 x 3/8
150	532 43 99-21	Cubierta térmica del conducto	297	532 43 74-56	Parrilla reflector (LI)
151	532 43 66-70	Soporte de capota giratoria	306	873 90 06-00	Tuerca de presión de 3/8-16 unc
152	532 43 98-70	Protector contra oscurecimiento	334	532 44 25-37	Soporte del motor
159	817 00 06-12	Tornillo de 3/8-16 x 3/4	335	532 44 82-04	Cubierta (LD)
161	532 43 97-81	Ventana de combustible	336	532 44 53-09	Cubierta (LI)
162	596 13 41-01	Tornillo de 1/4-15 x 1/2	350	532 44 51-43	Cierre del árbol de navidad
165	532 19 68-26	Apoyo de tanque	375	586 90 82-01	Cubierta Capota
175	590 60 77-02	Placa de Travesaño	378	590 84 98-01	Buje de brida, plástico
176	532 40 07-76	Tornillo de 10-24 x 5/8	- -	532 43 99-76	Tablero tapón acordarme
177	532 19 52-28	Buje de dirección			
180	532 19 54-57	Chasis			
181	532 43 97-46	Buje de soporte del guardabarros de carga			
182	586 73 86-02	Tablero inferior			
183	595 30 57-01	Tornillo de 5/16-18 x 1-1/4			
189	817 00 05-12	Tornillo 5/16-18 x 3/4			

**NOTA:** Las dimensiones de todos los componentes están expresadas en pulgadas americanas. 1 pulgada = 25,4 mm



# TRACTOR -- MODELO NO. YTH1846 (223840), PRODUCTO NO. 917.22384

## TRANSMISIÓN



drive-tex\_K46\_fender\_54\_1



# TRACTOR - - MODELO NO. YTH1846 (223840), PRODUCTO NO. 917.22384

## TRANSMISIÓN

CÓDIGO No.	PIEZA No.	DESCRIPCIÓN	CÓDIGO No.	PIEZA No.	DESCRIPCIÓN
1	- - - - -	Transeje, TUFFTORQ K46 BA (448348) (Haga el pedido de las piezas al fabricante del transeje.)	175	532 40 62-08	Ensamble del eje
			176	532 19 62-14	Brazo
2	532 12 35-83	Cuña	177	587 22 53-01	Abrazadera de retención 1 In.
15	596 56 53-01	Arandela de 3/8 x 0.08	178	532 19 74-56	Resorte
17	532 41 36-78	Resorte de freno	183	532 13 70-57	Separador
22	532 19 76-60	Varilla	184	587 65 37-01	Manija del freno de mano
23	532 14 08-45	Perilla	185	872 11 06-22	Perno de 3/8-16 x 2-3/4 grado 5
29	532 40 38-06	Varilla del freno	186	532 19 43-21	Espaciador de retención
33	812 00 00-01	Aro "E"	187	596 13 55-01	Arandela de 13/32 x 2
35	590 60 59-02	Varilla del freno de mano	188	582 21 70-01	Mecanismo de desplazamiento de la varilla de mando del embrague del largo
37	532 18 89-67	Arandela			
42	532 00 88-83	Cubierta del pedal	189	532 19 43-17	Palanca acodada del mecanismo de desplazamiento
49	596 13 62-01	Perno de 3/8-16 x 3/4			
50	532 19 43-27	Polea loca plana	190	532 19 43-18	Sujetador de la palanca acodada del mecanismo de desplazamiento
51	873 90 06-00	Tuerca de presión de 3/8-16			
52	532 19 43-26	Polea loca con ranura en V con un desplazamiento	205	532 12 17-48	Arandela 25/32 x 1-5/8 x Calibre 16
56	592 85 52-01	Correa, transmisión	211	532 19 62-12	Buje
64	532 19 62-00	Ensamble del eje Control del pedal de freno	216	532 19 61-31	Soporte del Polea
69	532 42 33-03	Zinc suave horquilla .059 x 1.125	221	532 40 31-87	Abrazadera de retención del resorte de la manija
70	532 43 99-71	Console	223	598 66 26-01	Perno de T45. 5/16-18 x .75
73	596 13 65-01	Perno de 5/16-18 x 1-1/2	225	532 40 33-19	Sujetador de la correa
74	596 13 41-01	Tornillo de 1/4-15 x 1/2	227	596 13 59-01	Perno de 5/16-18 x 3/4
99	582 40 45-01	Varilla de Derivación LT K46, K57	232	596 23 86-01	Perno de 7/16-14 x 1
116	596 13 57-01	Tuerca de 5/16-18 x .68	233	596 13 52-01	Arandela de 0.47 x 1
125	817 00 05-12	Tornillo de 5/16-18 x 3/4	279	532 40 62-07	Acoplamiento
143	596 03 07-01	Tornillo de 5/16-18 x 1/2	325	585 66 85-01	Soporte LI
153	532 00 44-97	Pince d' arrêtoir 1"	326	585 67 08-01	Soporte LD
159	596 02 95-01	Pasador de chaveta de 1/8 x 3/4	336	587 25 96-02	Perno de 5/16-18 x 1-3/4
161	532 10 57-09	Resorte de retorno del embrague			
166	532 42 91-64	Tuerca de presión			
167	532 40 52-57	Pestillo del freno de mano			
170	532 19 43-22	Sujetador de la correa central			
171	596 13 63-01	Perno de 3/8-16 x 2			
174	532 19 72-89	Tuerca			

**NOTA:** Las dimensiones de todos los componentes están expresadas en pulgadas americanas.  
1 pulgada = 25,4 mm



**TRACTOR - - MODELO NO. YTH1846 (223840), PRODUCTO NO. 917.22384  
MOTOR**

CÓDIGO PIEZA		DESCRIPCIÓN
No.	No.	
1	- - - - -	Motor Briggs Modelo No. 33R777-0009-G1 (588640901) (Haga el pedido de las piezas al fabricante del motor.)
2	590 64 53-01	Silenciador
9	596 50 15-02	Ensamble del sujetador de la correa del motor
12	586 72 89-01	Polea del motor
15	599 83 76-01	Depósito de combustible 3 galón
18	599 50 22-01	Ensamble de la tapa 3"
20	532 18 38-97	Control del regulador
21	596 32 17-01	Tornillo de #10 x 0.750
28	532 40 11-35	Línea de combustible
29	532 13 71-80	Equipo apagachispas
37	532 12 34-87	Abrazadera de la manguera
42	596 23 89-01	Arandela de 7/16"
45	596 13 36-01	Tuerca de presión de 1/4-20
69	532 16 52-91	Junta
79	596 13 42-01	Tornillo de 5/16-18 x 3/4
81	532 14 84-56	Tubo de fácil drenaje de aceite
82	532 42 82-87	1álvula del drenaje de aceite
84	817 06 06-20	Tornillo de 3/8-16 x 1/4
85	501 60 65-01	Perno de 7/16-20 x 4 Gr. 5
87	532 17 18-77	Perno de 5/16-18 unc x 3/4 w/sems
90	817 00 06-16	Tornillo de 3/8-16 x 1
91	532 18 74-95	Buje 1.375 OD
94	581 88 09-01	Tubo de escape
109	532 41 41-14	Filtre Le Carbone
110	532 41 41-18	Válvula
111	596 94 15-01	Línea de purga .1875"
113	532 41 41-27	Válvula

**NOTA:** Las dimensiones de todos los componentes están expresadas en pulgadas americanas. 1 pulgada = 25,4 mm

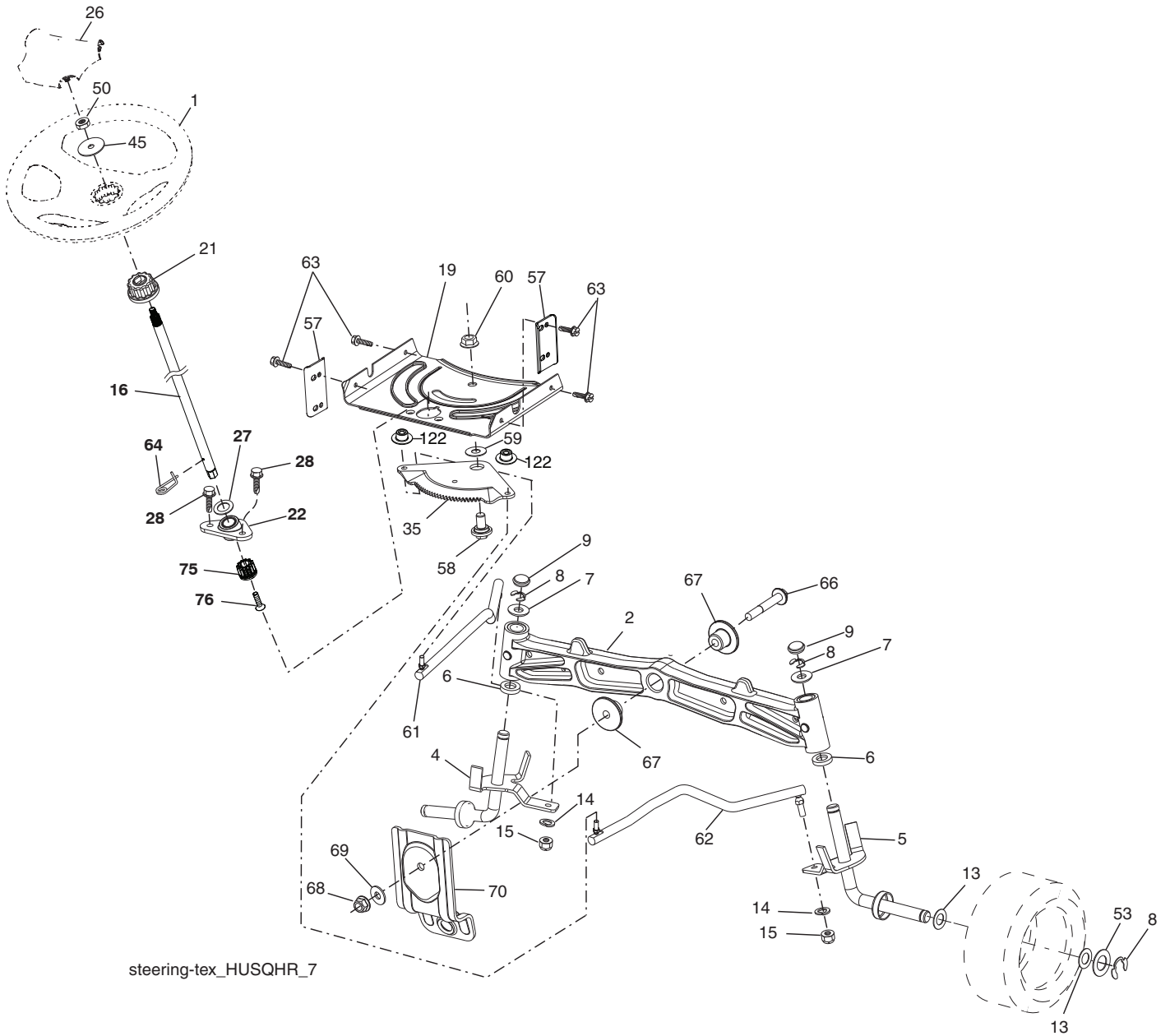
Para el servicio de motor y repuestos, llame el número de llamada gratuita para su fabricante de motor listó abajo:

Briggs & Stratton                      1-800-233-3723

**Información de Clasificación de Potencia del Motor**

La clasificación de potencia para un modelo de motor a gas en particular se designa de acuerdo al código J1940 de SAE (Sociedad de Ingenieros Automotrices) (Procedimiento de Clasificación de Potencia & Torque del Motor Pequeño), y la clasificación de desempeño ha sido obtenida y corregida de acuerdo con el código J1995 de SAE (Revisión 2002-05). Los valores de torque se obtienen a 3060 RPM; los valores de potencia se obtienen a 3600 RPM. La potencia bruta actual del motor será inferior y está afectada, entre otras cosas, por las condiciones ambientales operativas y la variabilidad de motor a motor. Dado ambos un amplio conjunto de productos en los cuales son puestos nuestros motores, y la variedad de emisiones ambientales aplicables al operar el equipo, el motor a gas no desarrollará la potencia nominal cuando sea usado en una parte del equipo acoplado (potencia real "en el-sitio" o potencia neta). Esta diferencia se debe a una variedad de factores que incluyen, pero que no están limitados a, accesorios (filtro de aire, sistema de escape, sistema de carga, sistema de enfriamiento, carburador, bomba de combustible, etc.) limitaciones de la aplicación, condiciones ambientales de operación (temperatura, humedad, altitud), y la variabilidad de motor a motor. Debido a las limitaciones, Briggs & Stratton puede sustituir este motor con clasificación de potencia más alta por esta serie de motor.

**TRACTOR - - MODELO NO. YTH1846 (223840), PRODUCTO NO. 917.22384**  
**ENSAMBLE DE LA DIRECCIÓN**



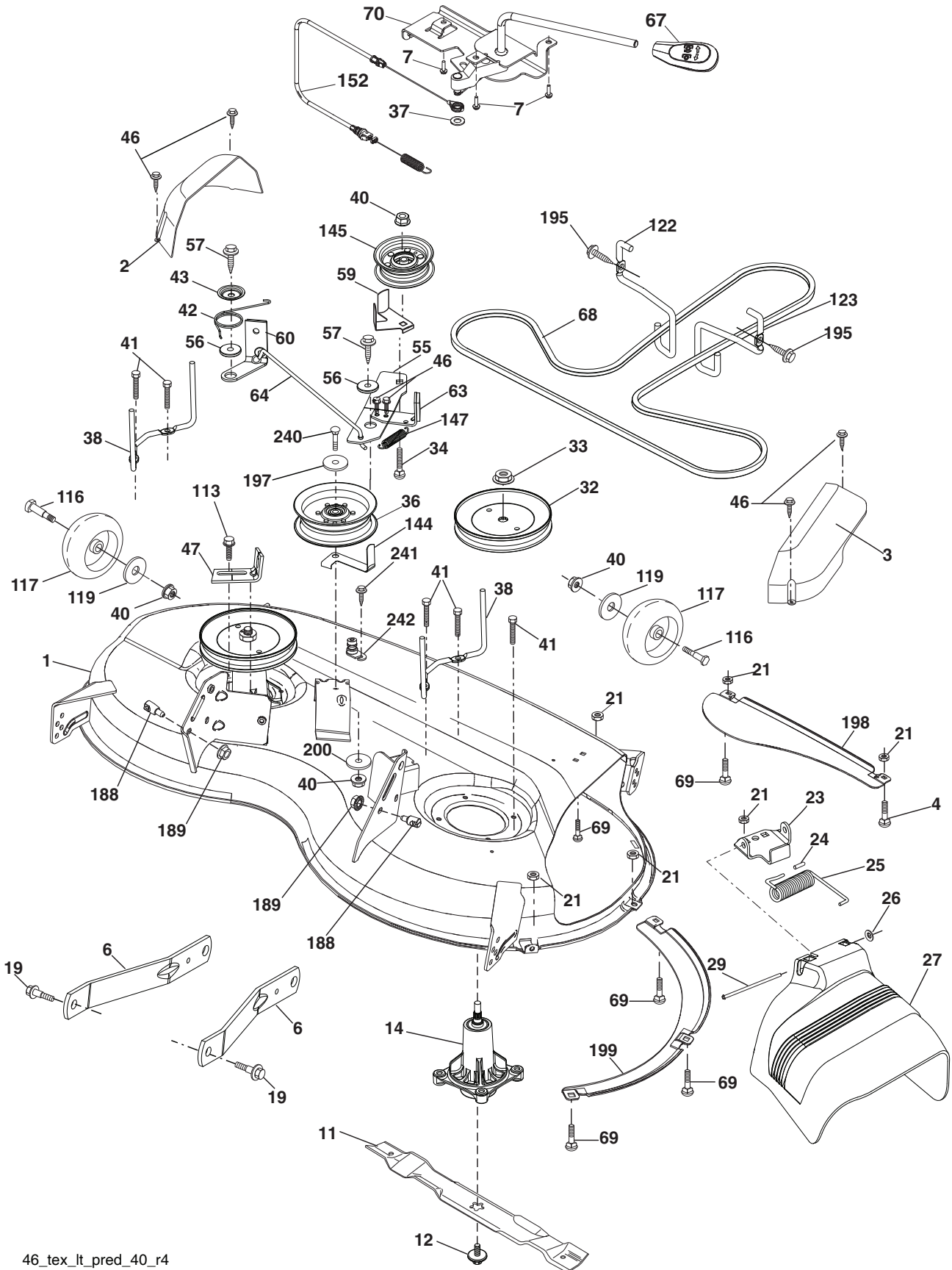
steering-tex\_HUSQHR\_7

**TRACTOR - - MODELO NO. YTH1846 (223840), PRODUCTO NO. 917.22384  
ENSAMBLE DE LA DIRECCIÓN**

<b>CÓDIGO No.</b>	<b>PIEZA No.</b>	<b>DESCRIPCIÓN</b>
1	532 43 99-97	Volante de dirección
2	532 19 59-68	Ensamble del eje delantero
4	532 40 30-87	Ensamble del husillo izquierdo
5	532 40 30-88	Ensamble del husillo derecho
6	532 00 62-66	Arandela de .75 x 1.230
7	532 12 17-48	Arandela de 25/32 x 1-5/8 calibre 16
8	812 00 00-29	Abrazadera del aro No. T5304-75
9	532 12 12-32	Tapa del husillo
13	532 12 17-49	Arandela de 25/32 x 1-1/4 calibre 16
14	596 23 87-01	Arandela de .381 x .680
15	873 54 06-00	Tuerca corona de presión de 3/8-24 unf
16	587 01 60-02	Eje de dirección
19	532 19 47-29	Placa de dirección
21	586 84 02-01	Adaptador del volante de dirección
22	585 02 98-02	Rodamiento
26	532 43 97-43	Inserto del volante de dirección
27	596 93 34-01	Arandela
28	817 00 06-12	Tornillo de 3/8-16 x 3/4
35	532 19 47-32	Engranaje del sector de la placa
45	587 01 64-01	Arandela 3/8 ID 2-3/8 OD calibre 12 PLTD
50	873 90 06-00	Tuerca 3/8-16 unc
53	532 18 89-67	Arandela reforzada de .793 x 1.637 x .060
57	532 40 74-65	Tope superior del soporte
58	532 19 47-47	Perno de tope del sector del pivote CFM
59	532 19 47-48	Arandela de empuje del sector de dirección
60	873 97 10-00	Tuerca de presión con brida de 5/8-11
61	532 19 47-40	Barra de acoplamiento izquierda
62	532 19 47-41	Barra de acoplamiento derecha
63	817 00 05-12	Tornillo de 5/16-18 x 3/4
64	532 19 98-49	Abrazadera de retención del resorte de la dirección
66	871 02 07-48	Perno de cabeza hexagonal con brida acanalada de 7/16-14 x 3
67	532 19 47-37	Buje PM del eje delantero
68	873 90 07-00	Tuerca de presión con brida de 7/16-14 grado 5
69	532 19 91-62	Arandela de 1.5 x .505 x .118
70	585 33 88-01	Soporte de la plataforma delantera
75	580 68 37-01	Piñón
76	580 68 36-01	Tornillo
122	532 44 49-62	Tapas

**NOTA:** Las dimensiones de todos los componentes están expresadas en pulgadas americanas. 1 pulgada = 25,4 mm

**TRACTOR - - MODELO NO. YTH1846 (223840), PRODUCTO NO. 917.22384**  
**PLATAFORMA DE LA CORTADORA DE CÉSPED**



46\_tex\_lt\_pred\_40\_r4

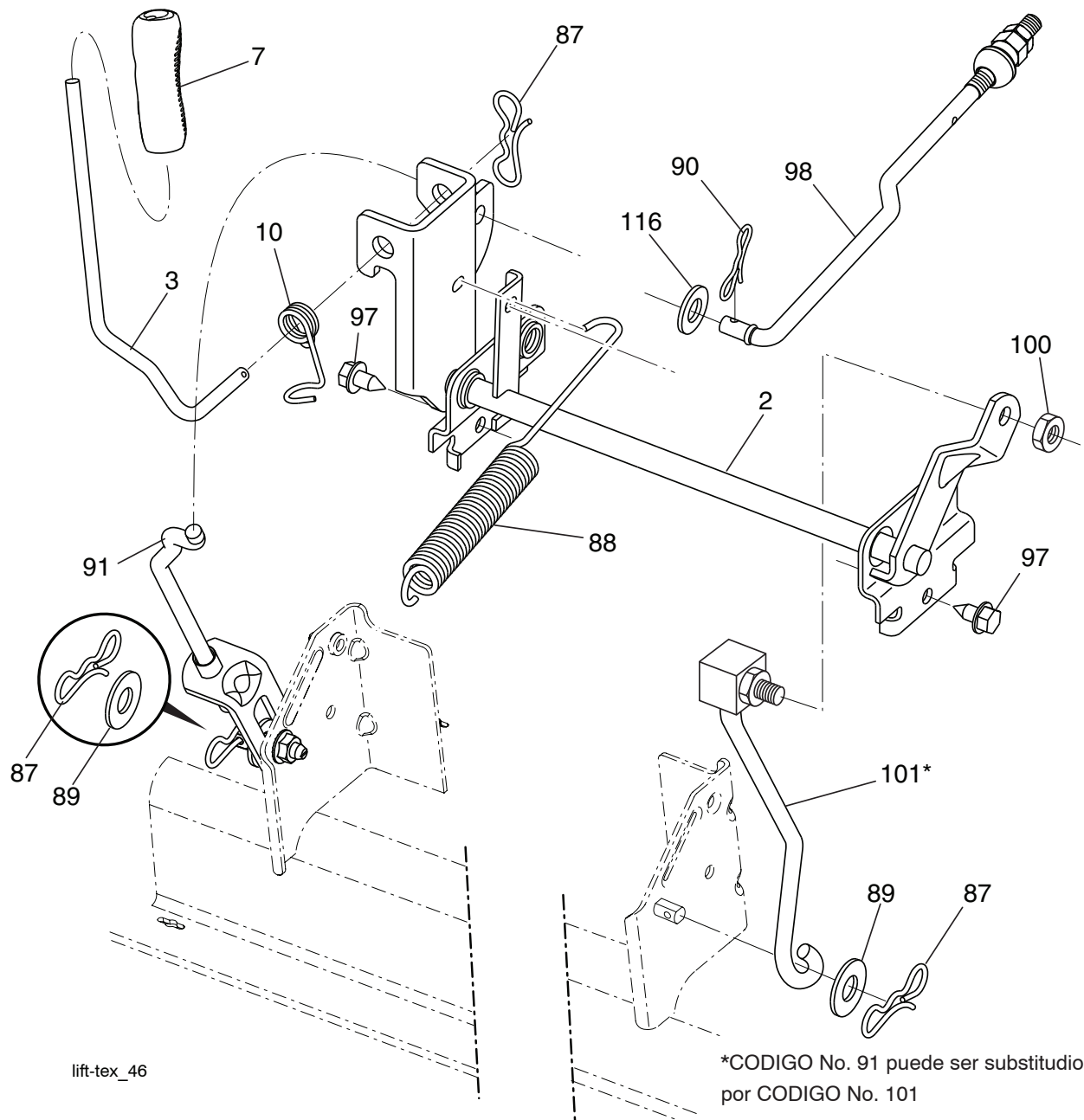
**TRACTOR - - MODELO NO. YTH1846 (223840), PRODUCTO NO. 917.22384**  
**PLATAFORMA DE LA CORTADORA DE CÉSPED**

CÓDIGO PIEZA		DESCRIPCIÓN	CÓDIGO PIEZA		DESCRIPCIÓN
No.	No.		No.	No.	
1	532 40 84-86	Equipo de Carcasa de la cortadora de césped 46" 405050X498	63	532 19 94-77	Brazo del freno de la cortadora de césped
2	532 40 55-06	Cubierta derecha del mandril	64	532 40 51-38	Varillaje del freno
3	532 40 55-07	Cubierta izquierda del mandril	67	532 40 30-12	Manija del cable de embrague
4	596 03 05-01	Perno de 5/16-18 unc x 3/4	68	532 40 51-43	Correa trapezoidal
6	532 19 51-86	Brazo de la suspensión	69	596 13 64-01	Perno de 5/16-18 x 5/8
7	596 32 17-01	Tornillo de #10 x 0.750	70	532 19 99-72	Ensamble del embrague Manual
11	532 40 53-80	Cuchilla de la cortadora	113	817 00 05-10	Tornillo de 5/16-18
12	584 30 93-01	Tornillo 7/16-20 x 1	116	596 43 44-02	Perno de 2.41 x 1.66 5"
14	587 81 97-01	Conjunto del mandril (incluye eje y perno)	117	589 52 74-01	Calibrador de la rueda
19	532 19 65-39	Perno de tope	119	596 13 49-01	Arandela de 3/8 x 7/8
21	596 04 05-01	Tuerca de presión de 5/16-18	122	532 19 72-58	Sujetador izquierdo de la correa del motor
23	532 19 25-57	Soporte del deflector	123	532 19 72-59	Sujetador derecho de la correa del motor
24	532 10 53-04	Tapa de la manga	144	532 19 92-04	Sujetador de la correa
25	532 19 70-26	Resorte de torsión del deflector	145	532 19 31-97	Polea loca
26	532 11 04-52	Tuerca de presión	147	532 40 18-72	Retorno del resorte
27	532 40 53-57	Protector del deflector	152	584 24 35-01	Cable de embrague manual con resorte
29	595 29 70-01	Varilla de la bisagra	188	593 82 40-01	Perno prisionero con anti rotación
32	532 19 74-73	Polea del mandril	189	596 13 57-01	Tuerca de presión de 5/16-18 x .68
33	596 13 48-01	Tuerca de 9/16-18 x 1.010	195	817 00 06-12	Tornillo de 3/8-16 x 3/4
34	596 13 61-01	Perno de 3/8-16 x 1-1/2	197	596 13 32-01	Arandela de 13/32 x 13/16 x 12 Calibre
36	532 19 73-79	Polea loca	198	532 40 31-49	Deflector delantero central
37	596 56 53-01	Rondelle 3/8 x 0.08	199	532 40 31-50	Deflector delantero derecho
38	589 67 61-02	Sujetador de la correa izquierda del mandril	200	532 41 35-24	Arandela de 13/32 x 1 x 1/2 calibre 11
40	873 90 06-00	Tuerca de presión con brida de 3/8-16 unc	240	874 52 06-36	Perno 3/8-16 unc x 2-1/4
41	584 95 39-01	Perno 313-18 x 1.19	241	532 15 29-27	Tornillo
42	532 19 84-10	Resorte de torsión del freno	242	532 41 55-98	Puerto de Lavado de la Cubierta
43	532 19 72-56	Resorte de torsión de retención	--	532 41 64-05	Eganche
46	532 13 77-29	Tornillo	--	593 80 11-01	Reemplazo de la cortadora de césped, completa
47	532 19 72-50	Soporte del cable de embrague			
55	532 19 72-49	Brazo de la polea			
56	532 19 90-92	Espaciador de retención			
57	817 00 06-16	Tornillo hexagonal con arandela de 3/8-16 x 1			
59	532 14 10-43	Dispositivo de protección de la polea (94)			
60	532 19 94-71	Brazo izquierdo del freno de la cortadora de césped			

**NOTA:** Las dimensiones de todos los componentes están expresadas en pulgadas americanas. 1 pulgada = 25,4 mm



**TRACTOR -- MODELO NO. YTH1846 (223840), PRODUCTO NO. 917.22384**  
**ELEVACIÓN DE LA CORTADORA DE CÉSPED**



lift-tex\_46

\*CODIGO No. 91 puede ser substituido por CODIGO No. 101

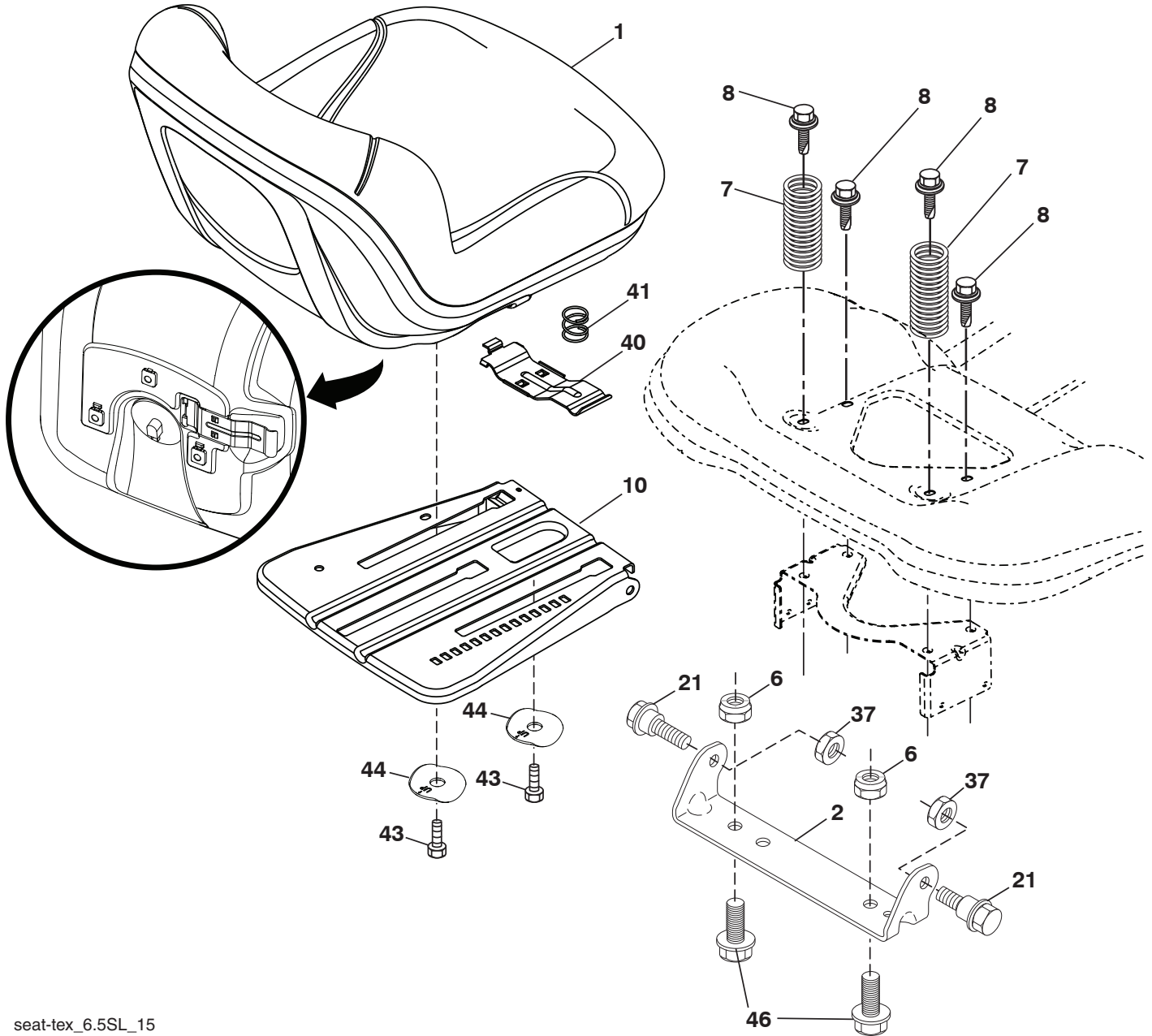
CÓDIGO No.	PIEZA No.	DESCRIPCIÓN
2	532 42 20-27	Ensamble del eje de la elevación
3	594 01 80-01	Ensamble de la palanca de elevación
7	580 96 23-01	Mango de la palanca
10	532 19 63-14	Resorte de torsión
87	532 19 42-09	Pasador de chaveta de 7/16 con bloqueo en forma de mariposa
88	532 41 07-10	Resorte de ayuda de la elevación
89	819 19 19-12	Arandela de zinc transparente
90	532 19 42-08	Pasador de chaveta de 5/16 con bloqueo en forma de mariposa
91	589 46 48-03	Ensamble del acoplamiento Elevación trasera

CÓDIGO No.	PIEZA No.	DESCRIPCIÓN
97	817 00 06-12	Tornillo de 3/8-16 x 3/4
98	581 50 69-03	Ensamble del acoplamiento Elevación Frente
100	595 30 59-01	Tuerca 3/8-16
101	532 40 70-03	Ensamble del acoplamiento Elevación fijo
116	819 15 15-16	Arandela 15/32 x 15/16 x calibre 16

**NOTA:** Las dimensiones de todos los componentes están expresadas en pulgadas americanas. 1 pulgada = 25,4 mm



**TRACTOR - - MODELO NO. YTH1846 (223840), PRODUCTO NO. 917.22384**  
**ENSAMBLE DEL ASIENTO**



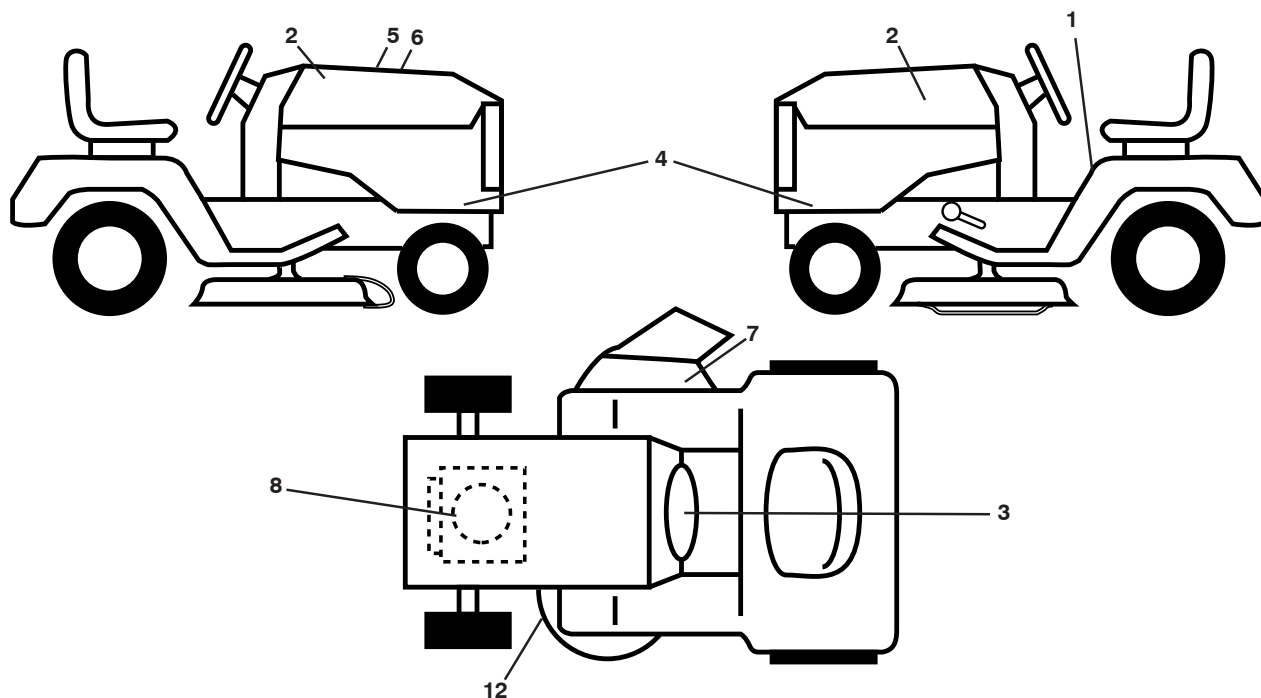
seat-tex\_6.5SL\_15

CÓDIGO No.	PIEZA No.	DESCRIPCIÓN
1	532 43 98-22	Asiento
2	532 18 01-66	Soporte pivotante del guardabarros
6	873 80 06-00	Tuerca 3/8-16 unc
7	589 48 35-01	Resorte del asiento
8	532 17 18-77	Perno de 5/16" unc x 3/4"
10	596 65 74-02	Bandeja del asiento
21	587 90 78-01	Perno de tope de 5/16-18 x 5/8
37	596 58 37-02	Tuerca 5/16-18
40	595 08 81-02	Manija para deslizar el asiento x 431

CÓDIGO No.	PIEZA No.	DESCRIPCIÓN
41	532 19 82-00	Resorte para trabar el asiento
43	874 76 06-12	Perno de cabeza hexagonal con aleta de 3/8-16 unc x 3/4
44	501 05 18-01	Arandela 3/8 ID 1.5 OD
46	588 09 04-01	Perno 3/8-16 x 1, 1.25 OD

**NOTA:** Las dimensiones de todos los componentes están expresadas en pulgadas americanas. 1 pulgada = 25,4 mm

**TRACTOR - - MODELO NO. YTH1846 (223840), PRODUCTO NO. 917.22384  
CALCOMANÍAS**



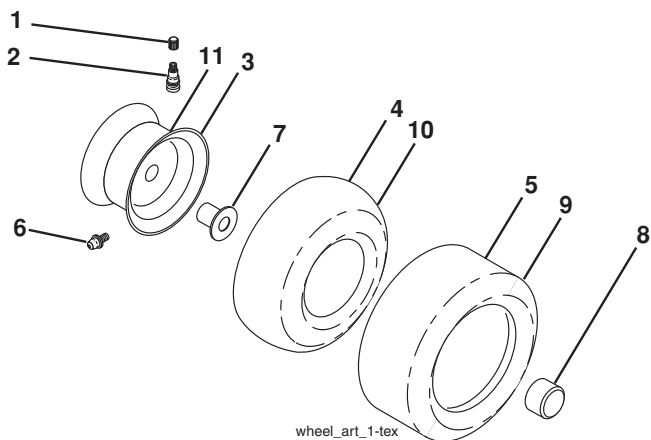
**CÓDIGO PIEZA  
No. No.**

CÓDIGO PIEZA No.	No.	DESCRIPCIÓN
1	581 57 89-01	Calcomanía para el guardabarros del operador
2	581 62 73-01	Calcomanía para la capota logotipo
3	596 02 42-01	Calcomanía para advertencia supresor de chispas
4	593 36 78-01	Calcomanía para lado panel
5	532 42 38-29	Calcomanía del cliente
6	593 09 13-01	Calcomanía de reemplazo
7	584 90 46-01	Calcomanía, Advertencia
8	585 55 60-01	Calcomanía para el motor

**CÓDIGO PIEZA  
No. No.**

CÓDIGO PIEZA No.	No.	DESCRIPCIÓN
12	581 58 00-01	Calcomanía del diagrama de la cortadora de césped Correa trapezoidal
--	581 72 48-01	Calcomanía para la desviación
--	532 43 96-81	Forro del apoyo para los pies (LI)
--	532 43 99-66	Forro del apoyo para los pies (LD)
--	115 97 71-49	Manual de Operario (Español/Inglés)
--	115 97 72-49	Manual De Repuestos (Español/Inglés)
--	587 71 00-26	Guía de inicio rápido (Inglés/Español)

**RUEDAS Y NEUMÁTICOS**



**CÓDIGO PIEZA  
No. No.**

CÓDIGO PIEZA No.	No.	DESCRIPCIÓN
1	532 05 91-92	Tapa de la válvula del neumático
2	532 06 51-39	Vástago de la válvula
3	532 13 83-36	Ensamble de las llantas delanteras 6 pulgada
4	532 05 99-04	Cámara delantera (Mantenimiento sólo)
5	532 10 62-22	Neumático delantero de 15 x 6-6
6	532 00 02-78	Accesorio para engrasar
7	532 00 90-40	Rodamiento de la brida
8	532 17 50-39	Tapa del eje
9	532 13 84-68	Neumático trasero de 20 x 8-8
10	532 00 71-52	Neumático trasero 9.5 x 8
11	532 13 83-37	Ensamble trasero de la llanta 8 pulgada
--	532 14 43-34	Sellador para neumáticos (tubo de 10 onzas [283 gr])

**NOTA:** Las dimensiones de todos los componentes están expresadas en pulgadas americanas. 1 pulgada = 25,4 mm

---

# NOTES/AVISO

---



[www.husqvarna.com](http://www.husqvarna.com)