



Husqvarna®



ST 224, ST 227P, ST 230P

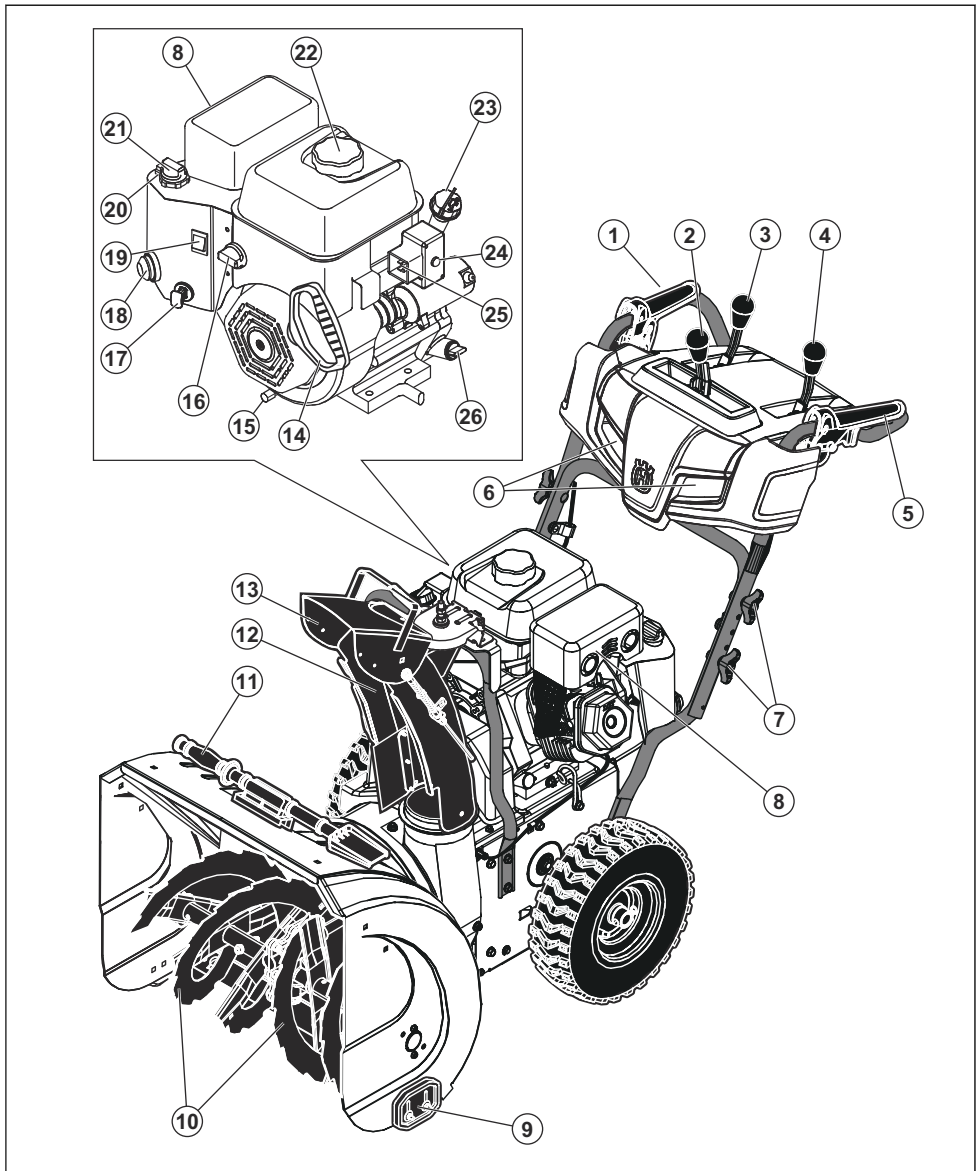
EN	Operator's manual	2-26
DE	Bedienungsanweisung	27-54
FR	Manuel d'utilisation	55-82
ES	Manual de usuario	83-110
IT	Manuale dell'operatore	111-137
NL	Gebruiksaanwijzing	138-163

Contents

Introduction.....	3	Troubleshooting.....	22
Safety.....	6	Transportation, storage and disposal.....	24
Assembly.....	8	Technical data.....	25
Operation.....	11	EC Declaration of Conformity.....	26
Maintenance.....	15		

Introduction

Product overview



1. Auger engagement
2. Discharge chute control lever

3. Drive speed control lever
4. Deflector remote control lever

5. Drive engagement
6. Light
7. Handle knob
8. Muffler
9. Skid plate
10. Augers
11. Clean-out tool
12. Discharge chute
13. Chute deflector
14. Starter rope handle
15. Oil drain plug
16. Fuel switch
17. ON/OFF key
18. Primer
19. ON/OFF switch (ST 227P, ST 230P)
20. Throttle control
21. Choke
22. Gasoline filler cap
23. Oil fill and Dipstick (ST 227P, ST 230P)
24. Electric start button
25. Connection, electric start
26. Oil fill and Dipstick (ST 224)



Fast.



Slow.



Choke.



Primer.



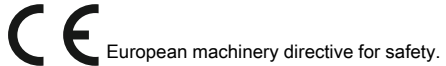
Oil.



Fuel.



Caution.



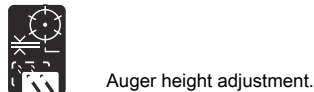
European machinery directive for safety.



Steer left.



Steer right.



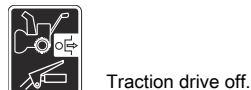
Auger height adjustment.



Blower off.



Blower on.



Traction drive off.

Product description

The product is a wheeled snow thrower that is used to remove snow from the ground.

Intended use

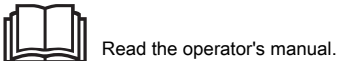
This product can be used to remove snow from fields, roads, walkways and driveways. Do not use it on slopes that are greater than 20°. Do not use the product in areas where there is much debris, dirt and protruding stones.

Symbols on the product

Note: If the decals on the product are damaged, contact the distributor to replace them.



Warning.



Read the operator's manual.



Engine on



Engine off.



Traction drive on.



Do not remove the shields while the engine is running.



Ear protection recommended.



Sound power level.



ON/OFF key. Insert to start and run.



Choke closed (start).



Primer.



Pull starter rope handle to start.



Choke open (run).



ON/OFF key. Pull out to stop.



No operation on slopes more than 10 degrees.



Remove spark plug cable before maintenance.



Hot surface.



Fuel shut-off valve.



Warning, keep hands away.



Warning, keep feet away.



Beware of thrown objects-keep bystanders away.



Rotate left/push down/rotate right.



Forward/reverse.



Up/down.



Product liability

As referred to in the product liability laws, we are not liable for damages that our product causes if:

- the product is incorrectly repaired.
- the product is repaired with parts that are not from the manufacturer or not approved by the manufacturer.
- the product has an accessory that is not from the manufacturer or not approved by the manufacturer.
- the product is not repaired at an approved service center or by an approved authority.

Safety

Safety definitions

The definitions below give the level of severity for each signal word.



WARNING: Injury to persons.



CAUTION: Damage to the product.

Note: This information makes the product easier to use.

General safety instructions

- Use the product correctly. Injury or death is a possible result of incorrect use. Only use the product for the tasks found in this manual. Do not use the product for other tasks.
- Obey the instructions in this manual. Obey the safety symbols and the safety instructions. If the operator does not obey the instructions and the symbols, injury, damage or death is a possible result.
- Do not discard this manual. Use the instructions to assemble, to operate and to keep your product in good condition. Use the instructions for correct installation of attachments and accessories. Only use approved attachments and accessories.
- Do not use a damaged product. Obey the maintenance schedule. Only do the maintenance work that you find an instruction about in this manual. An approved service center must do all other maintenance work.
- This manual cannot include all situations that can occur when you use the product. Be careful and use your common sense. Do not operate the product or do maintenance to the product if you are not sure about the situation. Speak to a product expert, your dealer, service agent or approved service center for information.
- Disconnect the spark plug cable before you assemble the product, put the product into storage or do maintenance.
- Do not use the product if it is changed from its initial specification. Do not change a part of the product without approval from the manufacturer. Only use parts that are approved by the manufacturer. Injury or death is a possible result of incorrect maintenance.
- Do not breathe in the fumes from the engine. Long term inhalation of the engine's exhaust fumes is a health risk.
- Do not start the product indoors or near flammable material. The exhaust fumes are hot and can contain

a spark which can start a fire. Not sufficient airflow can cause injury or death because of asphyxiation or carbon monoxide.

- When you use this product the engine makes an electromagnetic field. The electromagnetic field can cause damage to medical implants. Speak to your physician and medical implant manufacturer before you operate the product.
- Do not let a child operate the product. Do not let a person, without knowledge of the instructions operate the product.
- Make sure that you always monitor a person, with decreased physical capacity or mental capacity, that uses the product. A responsible adult must be there at all times.
- Lock the product in an area that children and unapproved persons cannot access.
- The product can eject objects and cause injuries. Obey the safety instructions to decrease the risk of injury or death.
- Do not go away from the product when the engine is on.
- The operator of the product is responsible if an accident occurs.
- Before and while you walk rearward, look behind and down for small children, animals or other risks that can cause you to fall.
- Make sure that parts are not damaged before you use the product.
- Make sure that you are at a minimum 15 m (50 ft) away from other persons or animals before you use the product. Make sure that a person in adjacent area knows that you will use the product.
- Refer to national or local laws. They can prevent or decrease the operation of the product in some conditions.

Safety instructions for operation

- Do not put hands or feet near or under rotating parts. Keep clear of the discharge opening at all times.
- Exercise extreme caution when operating on or crossing gravel drives, walks, or roads. Stay alert for hidden hazards or traffic.
- After striking a foreign object, stop the engine (motor), remove the wire from the spark plug, disconnect the cord on electric motors, thoroughly inspect the product for any damage, and repair the damage before restarting and operating the product.
- If the product starts to vibrate abnormally, stop the engine (motor) and check immediately for the cause. Vibration is generally a warning of trouble.
- Stop the engine (motor) whenever you leave the operating position, before unclogging the auger housing or chute deflector, and when making any repairs, adjustments or inspections.

- When cleaning, repairing or inspecting the product, stop the engine and make certain the augers and all moving parts have stopped. Disconnect the spark plug wire and keep the wire away from the plug to prevent someone from accidentally starting the engine.
- Do not run the engine indoors, except when starting the engine and for transporting the product in or out of the building. Open the outside doors; exhaust fumes are dangerous.
- Exercise extreme caution when operating on slopes.
- Never operate the product without proper guards, and other safety protective devices in place and working.
- Never direct the chute deflector toward people or areas where property damage can occur. Keep children and others away.
- Do not overload the product capacity by attempting to clear snow at too fast a rate.
- Never operate the product at high transport speeds on slippery surfaces. Look behind and use care when operating in reverse.
- Disengage power to the augers when the product is transported or not in use.
- Use only attachments and accessories approved by the manufacturer of the product (such as wheel weights, counterweights, or cabs).
- Never operate the product without good visibility or light. Always be sure of your footing, and keep a firm hold on the handles. Walk; never run.
- Never touch a hot engine or muffler.
- Keep the nozzle in contact with the rim of the fuel tank or container opening at all times, until refueling is complete. Do not use a nozzle lock-open device.
- Replace gasoline cap securely and wipe up spilled fuel.
- If fuel is spilled on clothing, change clothing immediately.
- Use extension cords and receptacles as specified by the manufacturer for all units with electric drive motors or electric starting motors.
- Adjust the auger housing height to clear gravel or crushed rock surface.
- Never attempt to make any adjustments while the engine (motor) is running (except when specifically recommended by the manufacturer).
- Always wear safety glasses or eye shields during operation or while performing an adjustment or repair to protect eyes from foreign objects that may be thrown from the machine.

Personal protective equipment

Always use the correct personal protective equipment when you operate the product. This includes, at minimum, sturdy footwear, eye protection and hearing protection. Personal protective equipment does not erase the risk of injury but may decrease the grade of injury if an accident occurs.

- Always wear safety glasses or eye protection while you operate the product or do maintenance or repairs.
- Always wear appropriate winter garments when you operate the product.
- Always use heavy-duty slip-resistant boots with good ankle support while you operate the product.
- Do not wear loose fitting clothing that can get caught in moving parts.
- Use approved protective gloves, if necessary. For example, when attaching, examining or cleaning the blade.
- Always use approved ear protection while you operate the product. Noise for a long period can cause noise-induced hearing loss.

Safety devices on the product

- Make sure that you regularly do the maintenance to the product.
 - The life of the product increases.
 - The risk of accidents decreases.

Let an approved dealer or an approved service center regularly examine the product to do adjustments or repairs.

- Do not use a product with damaged protective equipment. If the product is damaged, speak to an approved service center.

Work area safety

- Thoroughly inspect the area where the equipment is to be used and remove all doormats, sleds, boards, wires, and other foreign objects.
- Disengage all clutches and shift into neutral before starting the engine (motor).
- Do not operate the product without wearing adequate winter garments. Avoid loose fitting clothing that can get caught in moving parts. Wear footwear that will improve footing on slippery surfaces.
- Handle fuel with care; it is highly flammable.
 - Use an approved fuel container.
 - Never add fuel to a running engine or hot engine.
 - Fill fuel tank outdoors with extreme care. Never fill fuel tank indoors.
 - Never fill containers inside a vehicle or on a truck or trailer bed with a plastic liner. Always place containers on the ground, away from your vehicle, before filling.
 - When practical, remove gas-powered equipment from the truck or trailer and refuel it on the ground. If this is not possible, then refuel such equipment on a trailer with a portable container, rather than from a gasoline dispenser nozzle.

Muffler

The muffler keeps the noise levels to a minimum and sends the exhaust fumes away from the operator.

Do not use the product if the muffler is missing or defective. A defective muffler increases the noise level and the risk of fire.

Examine the muffler regularly to make sure that it is attached correctly and not damaged.



CAUTION: The muffler becomes very hot during and after use and when the engine operates at idle speed. Be careful near flammable materials and/or fumes to prevent fire.

Fuel safety



WARNING: Read the warning instructions that follow before you use the product.

- Do not start the product if there is fuel or engine oil on the product. Remove the unwanted fuel/oil and let the product dry.
- If you spill fuel on your clothing, change clothing immediately.
- Do not get fuel on your body, it can cause injury. If you get fuel on your body, use soap and water to remove the fuel.
- Do not start the product if the engine has a leak. Examine the engine for leaks regularly.
- Be careful with fuel. Fuel is flammable and the fumes are explosive and can cause injuries or death.
- Do not breathe in the fuel fumes, it can cause injury. Make sure that there is a sufficient airflow.
- Do not smoke near the fuel or the engine.
- Do not put warm objects near the fuel or the engine.
- Do not add the fuel when the engine is on.
- Make sure that the engine is cool before you refuel.
- Before you refuel, open the fuel tank cap slowly and release the pressure carefully.

- Do not add fuel to the engine in an indoor area. Not sufficient airflow can cause injury or death because of asphyxiation or carbon monoxide.
- Tighten the fuel tank cap fully. If the fuel tank cap is not tightened, there is a risk of fire.
- Move the product a minimum of 3 m (10 ft) from the position where you filled the tank before a start.
- Do not put too much fuel in the fuel tank.

Safety instructions for maintenance



WARNING: Read the warning instructions that follow before you use the product.

- The exhaust fumes from the engine contain carbon monoxide, an odorless, poisonous and very dangerous gas. Do not start the engine indoors or in closed spaces.
- Before you do the maintenance on the product, stop the engine and remove the ignition cable from the spark plug.
- Use protective gloves when you do maintenance on the blades. The blades are very sharp and cuts can easily occur.
- Accessories and changes to the product that are not approved by the manufacturer, can cause serious injury or death. Do not change the product. Always use accessories that are approved by the manufacturer.
- If the maintenance is not done correctly and regularly, the risk of injury and damage to the product increases.
- Only do the maintenance as given in this operator's manual. All other servicing must be done by an approved service agent.
- Let an approved service agent do servicing on the product regularly.
- Replace damaged, worn or broken parts.

Assembly

To remove the product from the carton

1. Remove loose parts included with the product. Cut the four corners of the carton and put the end panels down flat.
2. Remove the two screws that attach the auger housing to the pallet. Remove the steel brackets from the skid plates if they have it.
3. Remove all package materials.
4. Remove the product from the carton and make sure no loose parts are left in the carton.

Loose parts



Knob (3)



Discharge chute (1)



ON/OFF key (s)



Carriage bolts 5/16-18 x 2 1/4" (2)



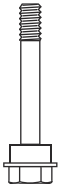
Handle knobs (2)



Locknut 3/8 (1)



Cable guide (1)



Shear pins 1/4-20 x 1-3/4 (6)



Locknuts 1/4-20 (6)



Locknut 5/16-18 (1)



Locknut 1/4-20 (1)



Nylon washer (1)



Carriage bolt 5/16-18 x 5/8 (1)



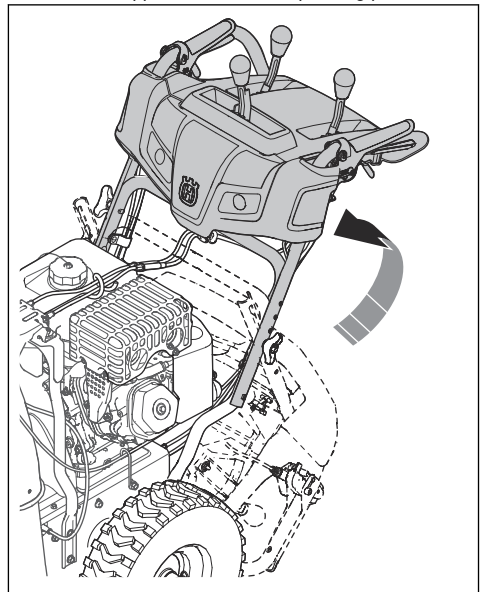
Spring (1)



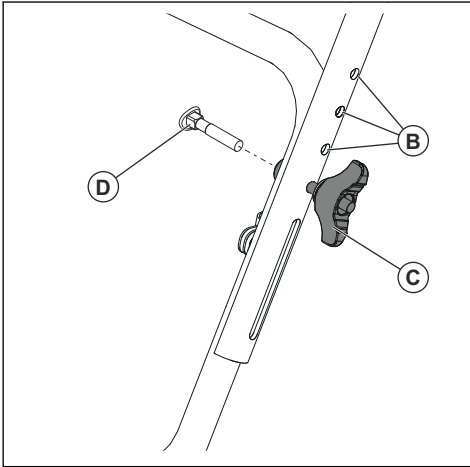
Shoulder bolt 1/4-20 (1)

To install the handle

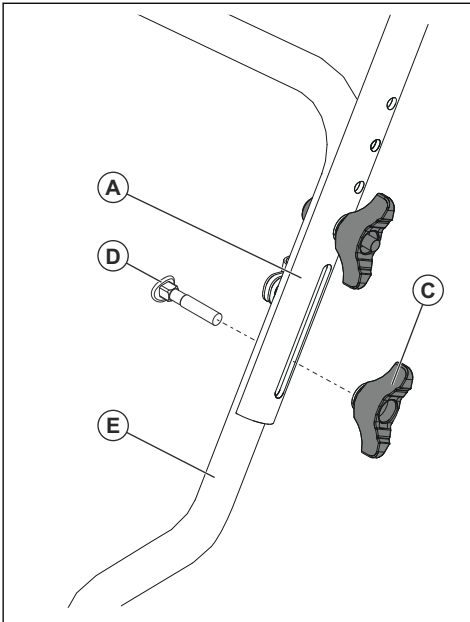
1. Raise the upper handle to the operating position.



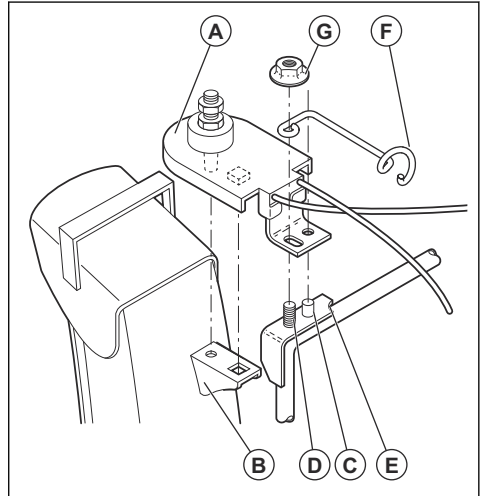
- Adjust the handle position to one of the mounting holes (B) and tighten the handle knobs (C) with the carriage bolts (D).



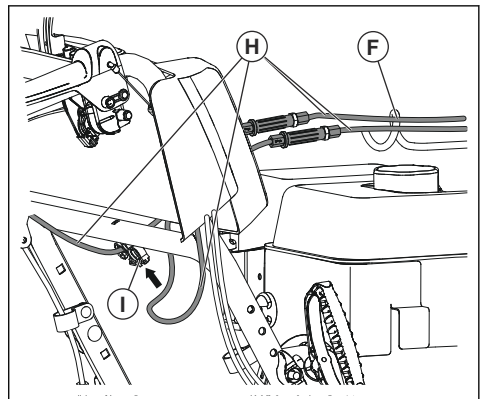
- Install more carriage bolts (D) and handle knobs (C) to secure the upper handle (A) to the lower handle (E).



- Put the chute rotator head (A) on the chute bracket (B). Rotate the chute assembly to align the pins under the chute rotator head with the holes in the chute bracket if it is necessary.
- Put the chute rotator head on the pin (C) and the threaded stud (D) on the mounting bracket (E).
- Attach a locknut (G) on the threaded stud and tighten.



- Put the cables through the cable guide (F) and the double clip (I) to attach the rotator cable (H) to the lower handle.



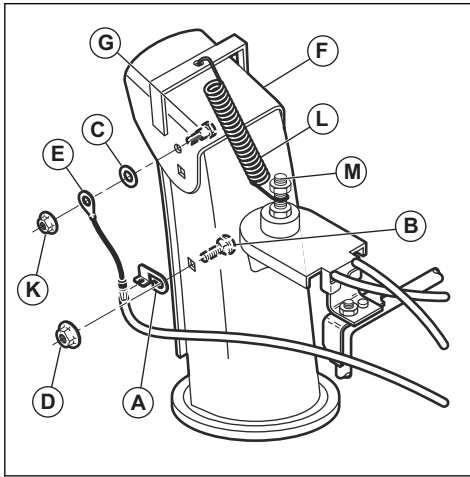
To install the chute deflector remote control

- Attach the remote cable bracket (A) to the discharge chute with a carriage bolt (B) and a 5/16-18 locknut (D). Tighten the bolt.

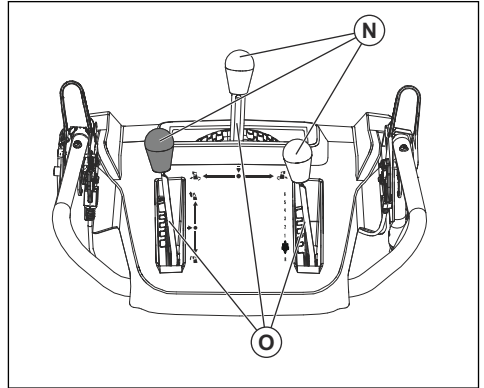
To install the chute deflector and chute rotator head

- Put the chute deflector assembly on the top of the chute base with the discharge opening in the direction of the front of the product.

2. Install the remote cable eyelet (E) to the chute deflector (F) with a shoulder bolt (G), a nylon washer (C), and tighten with a ¼-20 locknut (K). The cable eyelet will be loose on the shoulder bolt.
3. Attach the spring (L) between the hex nut (M) on the chute rotator head and the hole on the chute deflector.



4. Attach the lever control knobs (N) by pressing them down on the control levers (O).



Operation

Before you start the product

- Keep persons and animals away from the work area.
- Do daily maintenance. See *Maintenance schedule on page 15*.
- Make sure the ignition lead fits correctly on the spark plug.
- Add oil or gasoline, if necessary. See *Technical data on page 25*.

To fill the engine with oil



CAUTION: Do not rotate the dipstick when you check the oil. Do not fill above the mark.

1. Remove the oil cap and clean the dipstick. See *Product overview on page 3* for the location of the dipstick.
2. Add oil to the top mark on the dipstick. Use the dipstick to do a check of the oil level at regular intervals.
3. Put the oil cap back.

To fill fuel

If available, use low-emission/alkylate gasoline. If low-emission/alkylate gasoline is not available, use good quality unleaded gasoline or leaded gasoline. Use

gasoline with an octane number of 90 RON out of North America (87 AKI in North America) or higher, and with a maximum of 10% ethanol (E10).



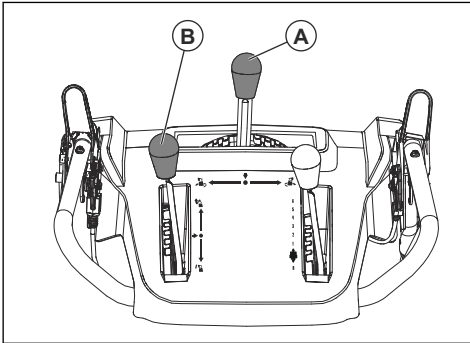
CAUTION: Do not use gasoline with an octane number less than 90 RON out of North America (87 AKI in North America). This can cause damage to the product.

1. Open the fuel tank cap slowly to release the pressure.
2. Fill slowly with a fuel can. If you spill fuel, remove it with a cloth and let remaining fuel dry off.
3. Clean the area around the fuel tank cap.
4. Tighten the fuel tank cap fully. If the fuel tank cap is not tightened, there is a risk of fire.
5. Move the product a minimum of 3 m (10 ft) from the position where you filled the tank, before a start.

To adjust the discharge chute and the chute deflector

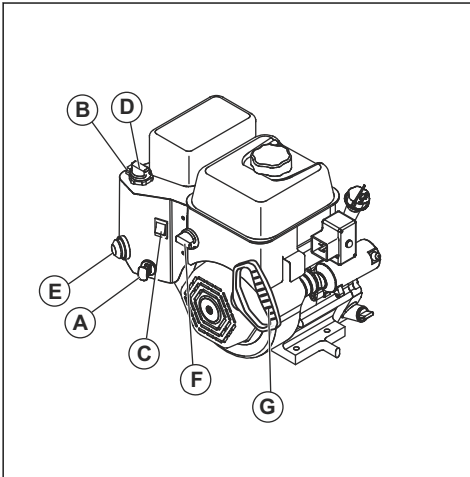
1. To adjust the discharge chute position, move the discharge chute control lever (A) back and to the left or right direction.

- To adjust the snow throwing distance of the chute deflector, move the deflector remote control lever (B) down to decrease the distance and up to increase the distance.



To start the engine, manual start

- Insert the ON/OFF key (A) into the ignition slot until it clicks. Do not turn the key.



- Turn the fuel ON/OFF switch (F) to the ON position.
- Put the throttle control (B) to the FAST position.
- Put the ON/OFF switch (C) to the ON position (if equipped).
 - If the engine is cold, rotate the choke (D) to the FULL position and push the primer (E) three times.



CAUTION: Do not over prime the engine. It can prevent the engine from starting. If the engine is over primed, wait a few minutes before attempting to start and do not push the primer.

- Pull the starter rope handle (G).



CAUTION: Do not release the grip quickly. Move it back to the start position slowly.

Note: If the rope starter has frozen, slowly pull out as much rope out of the starter as possible and release the starter rope handle. If the engine does not start, repeat the procedure or use the electric starter.

- If the choke was used to start the engine, slowly move the choke (D) to the OFF position.
- Run the engine 2-3 minutes at idling speed before you start to throw snow.
- If the engine does not run as it should, turn it off.

To start the engine, electric start



WARNING: The product has a 230 V A.C. electric starter. Do not use the electric starter if your house is not a 230 V A.C. three-wire grounded system. Serious personal injury or damage to the product could occur. The electric starter has a three-wire power plug, and is designed to use 230 V A.C. household current. Make sure that your house is a 230 V A.C. three-wire grounded system. If you are uncertain, ask a licensed electrician.

- Insert the ON/OFF key (A) into the ignition slot until it clicks. Do not turn the key.
- Turn the fuel ON/OFF switch (F) to the ON position.
- Put the throttle control (B) to the FAST position.
- Put the ON/OFF switch (C) to the ON position (if equipped).
 - If the engine is cold, turn the choke (D) to the FULL position.
- Push the primer (E) three times.



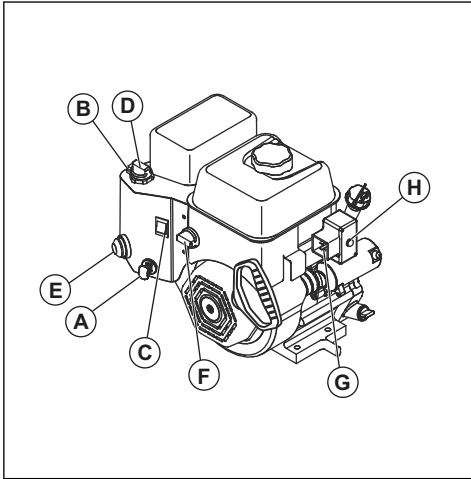
CAUTION: Do not over prime the engine. It can prevent the engine from starting. If the engine is over primed, wait a few minutes before trying to start and do not push the primer.

- Connect the extension cord to the connector on the engine (G).
- Connect the other end of the extension cord into a three-hole grounded 230 V A.C. receptacle.
- Push the electric start button (H) until the engine starts.



CAUTION: Do not crank the engine more than five continuous seconds between each time you try to start. Wait 5 to 10 seconds between each try.

9. If the choke was used to start the engine, release the electric start button and slowly move the choke (D) to the OFF position.



10. Disconnect the extension cord from the receptacle first and then from the engine.
11. Run the engine 2-3 minutes at idling speed before you start to throw snow.

To operate the product



CAUTION: Do not operate without snow or water to lubricate the auger blades. Incorrect use can cause high temperatures in the auger blades, especially if the product is new. This can cause damage to the auger blades and scraper bar.

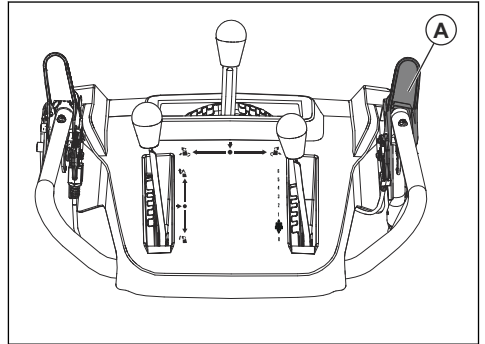


CAUTION: Do not partially engage drive or auger levers for an extended period of time; this can lead to premature wear or burning of the belts.

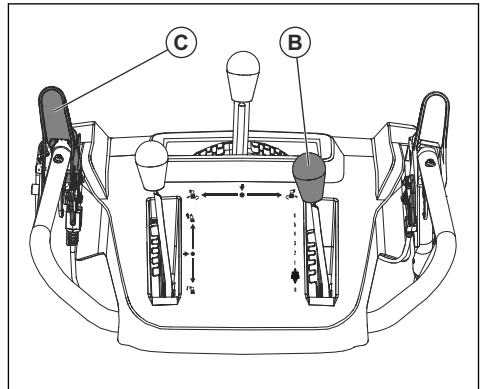
Note: When both the drive engagement and auger engagement are engaged, the drive engagement will lock the auger engagement in position. Use the right hand to control the snow discharge chute.

Note: Do not change the speed when the drive lever is engaged. This can cause damage to the transmission.

1. To engage the auger blades, push the auger engagement (A) to the handle to engage the auger and throw snow.

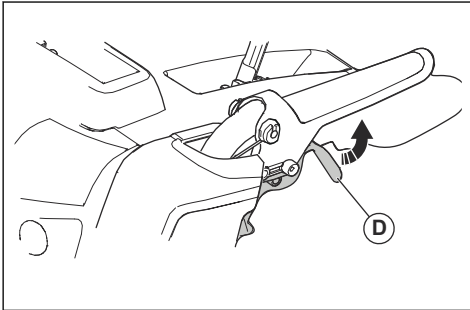


2. Raise the drive speed control lever (B) from the middle position to make the product move forward when the drive engagement (C) is engaged. Do not change the speed when the drive lever is engaged. This can cause damage to the transmission.
3. Lower the drive speed control lever from the middle position to make the product move rearward when the drive engagement is engaged.



4. To make the product move in the selected direction, hold the drive engagement (C) against the handle .

- If the product has power steering, hold the left steering trigger (D) to turn left. Hold the right steering trigger to turn right.

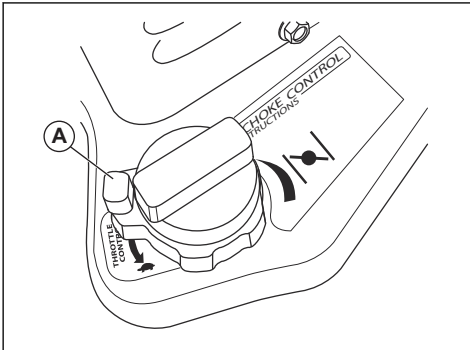


To stop the product

- Move the ON/OFF switch to the OFF position (if equipped).
- Remove the ON/OFF key.

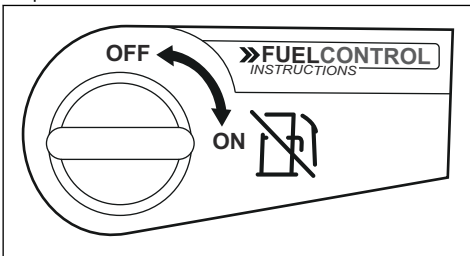
To use the throttle control

- Turn the throttle control (A) to change the amount of fuel used. Always operate the engine at full throttle.



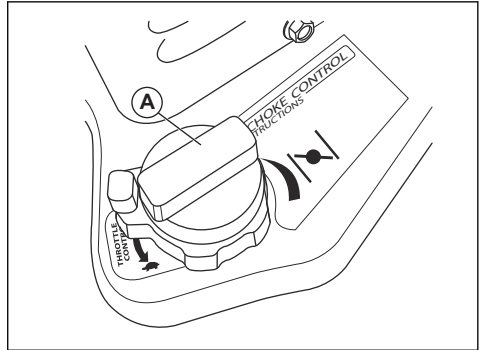
To use the fuel switch

- Turn the fuel switch to open or close the fuel valve. Operate the product with the fuel switch in the OPEN position.



To use the choke control

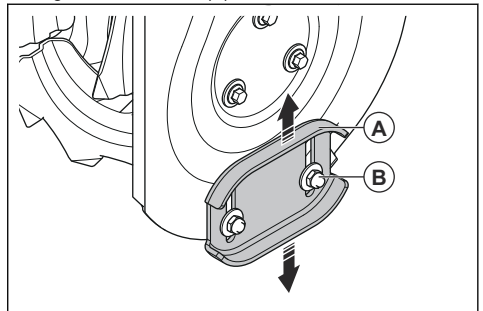
- Turn the choke (A) to open or close the choke valve. Use the choke to start a cold engine.



To adjust the skid plates

No adjustment is required for normal installation.

- When the lock nut (B) is loose or the skid plate (A) is not high enough from the ground, unlock the lock nut (B) with a 13 mm open-ended wrench, to move the skid plate up or down.
- On flat surfaces, like asphalt roads, raise the skid plates (A) 5-6 mm (0.2-0.25 in) off the ground. On uneven surfaces, like gravel roads, make the clearance between the ground and the product larger with the skid plates to get the scraper bar above the top of the gravel. Make sure that the gravel and stones do not enter into the product. It can cause personal injuries if objects are ejected at high speed.
- Tighten the lock nut (B).



To prevent freeze-up after use

Note: Controls and moving parts can be blocked by ice. Do not apply much force to the controls. If you cannot operate a control or a part, start the engine and let it operate for some minutes.

- Start the engine and let it operate for some minutes. Stop the engine and wait for all moving parts to stop.

2. Remove snow and loose ice from the product.
3. Remove snow and loose ice from the base of the chute.
4. Turn the chute deflector to the left direction and to the right direction to remove ice and water.
5. Remove the key or flip switch to the "OFF" position (if equipped).
6. If the product does not have an electric starter, pull the starter rope handle several times to remove ice and water.
7. If the product has an electric starter, connect the product to power and push the start button once to remove ice and water.

To get a good result

- Always run the engine at full throttle or near full throttle.

- Always adapt the speed of the product to the snow situation and adjust the speed with the drive speed control lever. Make sure that the product throws snow evenly.
- It is easier and more efficient to remove snow immediately after it falls.
- Always throw snow downwind whenever possible.
- On flat surfaces, like asphalt roads, raise the skid plates up to 5-6 mm (0.2-0.25 in) off the ground.
- The scraper bar is reversible. When it becomes worn almost to the edge of the housing, reverse it. Replace the scraper bar if it is damaged, or if both sides are worn.
- Do not dispatch the chute deflector if it is clogged.
- If the product does not move forward due to unforeseen circumstances, release the drive engagement immediately or pull out the ON/OFF key to OFF position.

Maintenance

Introduction

When the product is in use, bolts can loosen and components can become worn. This can cause

malfunction like incorrect tolerance clearance, increased oil consumption, or misalignment of various components. Do regular maintenance on the product to prevent malfunction.

Maintenance schedule

Maintenance	Daily	20 hours	50 hours	100 hours
Make sure that nuts and screws are tightened	X			
Do a check of the engine oil level	X			
Replace oil ¹		X	X	X
Make sure there are no fuel or oil leaks	X			
Remove clogging, foreign objects in auger	X			
Inspect the tire pressure ²			X	
Inspect and change the spark plug ³				X

Note: It is not necessary to add grease or to do other maintenance to the gearbox.

To do a general inspection

- Make sure that the nuts and screws on the product are tightened.

¹ Replace the oil after the first 20 h, 50 h, 100 h and then every 100 h.

² See Technical data for correct tire pressure.

³ Check and clean spark plug before use each year.

To do a check of the oil level



CAUTION: A too low oil level can do damage to the engine. Do a check of the oil level before you start the product.

1. Put the product on level ground.
2. Remove the oil tank cap with the attached dipstick.
3. Clean the oil from the dipstick.
4. Put the dipstick fully into the oil tank to give a correct picture of the oil level.
5. Remove the dipstick.
6. Examine the oil level on the dipstick.
7. If the oil level is low, fill with engine oil and do a check of the oil level again.

To replace the engine oil

1. Run the engine a few minutes to make the oil warm. Warm oil flows better and includes more contaminants.



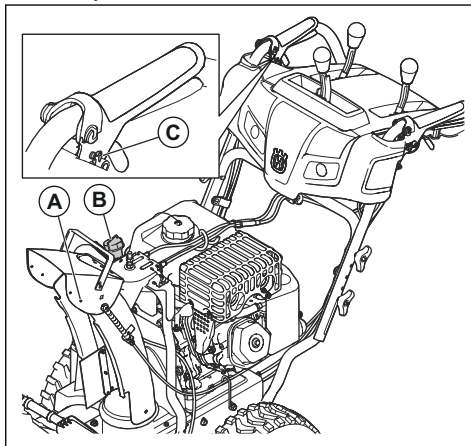
WARNING: The engine oil is hot. Avoid skin contact with the used engine oil.

2. Put the product on level ground.
3. Remove the ON/OFF key.
4. Put a container below the oil drain plug.
5. Remove the oil drain plug, tip the product and drain the used oil in the container.
6. Put the product back to the operating position.
7. Install the oil drain plug and tighten it by hand.
8. Fill the engine with oil, see *To fill the engine with oil on page 11*.

To lubricate the product

- Lubricate the pivot points (A) with oil.
- Lubricate the engine (B) with oil.

- Apply a small amount of lithium grease to the interlock bosses (C) at the beginning of each season or every 25 hours of use.



Muffler

The muffler keeps the noise levels to a minimum and sends the exhaust fumes away from the operator.

Do not use the product if the muffler is missing or defective. A defective muffler increases the noise level and the risk of fire.

Examine the muffler regularly to make sure that it is attached correctly and not damaged.



CAUTION: The muffler becomes very hot during and after use and when the engine operates at idle speed. Be careful near flammable materials and/or fumes to prevent fire.

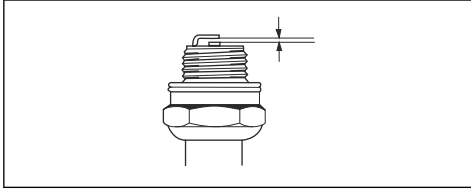
To examine the spark plug



CAUTION: Always use the recommended spark plug type. Incorrect spark plug type can cause damage to the product.

- Examine the spark plug if the engine is low on power, is not easy to start or does not operate correctly at idle speed.
- To decrease the risk of unwanted material on the spark plug electrodes, obey these instructions:
 - a) Make sure that the idle speed is correctly adjusted.
 - b) Make sure that the fuel mixture is correct.
 - c) Make sure that the air filter is clean.

- If the spark plug is dirty, clean it and make sure that the electrode gap is correct, see *Technical data on page 25*.



- Replace the spark plug if it is necessary.

To inspect the augers and the scraper bar

1. Before each use, inspect the augers and the scraper bar for wear.
2. If the edge of the scraper bar is worn, reverse the scraper bar. If the scraper bar has damages or is worn on both edges, replace it.
3. If the edges of the augers are worn, contact an authorized service center to replace them.

To replace the auger shear pins

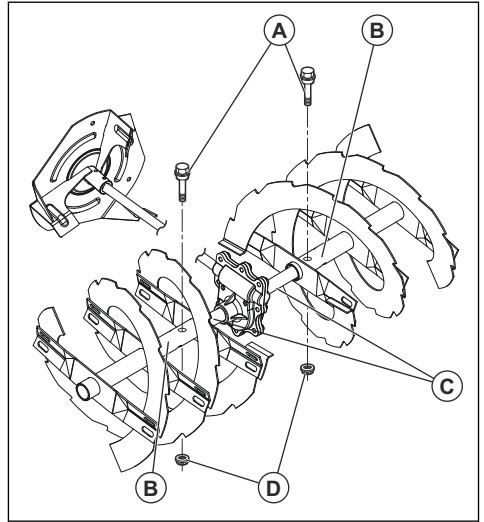
The auger shear pins protect the product from damage. The auger shear pins break if an object comes into the moving parts.



CAUTION: Use only original equipment shear pins supplied with the product.

1. If an auger shear pin breaks, stop the engine and wait for the moving parts to stop.
2. Remove the ON/OFF key and disconnect the spark plug cable.
3. Align the hole in the auger hub (B) with the hole in the auger shaft (C) and install a new ¼ - 20 x 2 shear pin (A)

4. Install a ¼-20 locknut (D) and tighten.



5. Put the ON/OFF key in the ignition and connect the spark plug cable to the spark plug.

To replace the impeller shear pins

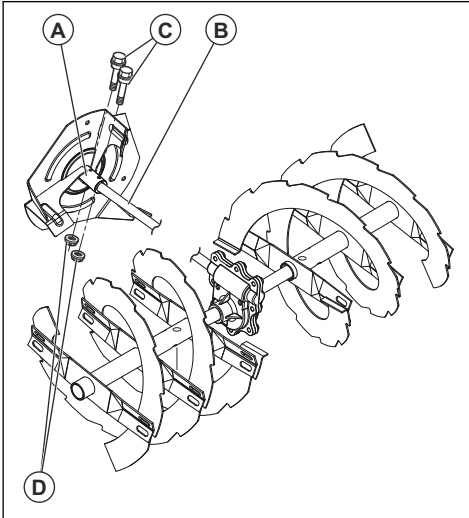
The impeller shear pins protect the product from damage. The impeller shear pins break if an object comes into the moving parts.



CAUTION: Use only original equipment shear pins supplied with the product.

1. If an impeller shear pin breaks, stop the engine and wait for the moving parts to stop.
2. Remove the ON/OFF key and disconnect the spark plug cable.
3. Align the hole in the impeller hub (A) with the holes in the impeller shaft (B) and install a new ¼-20 shear pin (C).

4. Install a 1/4-20 locknut (D) on the shear pin and tighten.



5. Put the ON/OFF key in the ignition and connect the spark plug cable to the spark plug.

To examine the tires

- Keep the tires free of fuel, oil and chemicals to prevent damage to the rubber.
- Keep the tires away from stumps, stones, ruts, sharp objects and other objects which can cause damage to the tires.
- Keep the tire pressure correct, see *Technical data on page 25*.

To clear a clogged chute deflector

Do not unclog the chute deflector before the following operations are made.

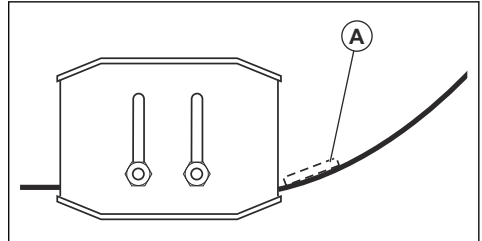
1. Release the auger engagement and the drive engagement at the same time.
2. Wait 10 seconds to make sure that the augers have stopped.
3. Stop the product.
4. Use the clean-out tool (at least 15" long, included in some models) to remove the clog.



WARNING: Do not put your hands into the chute deflector or inside the auger housing.

To replace the scraper bar

1. Put the scraper bar (A) in a reversed position when it is worn to the edge of the housing.



2. Replace the scraper bar if it is worn on both sides or if it is damaged.

Drive belts



WARNING: The v-belts on your product are of special construction and should be replaced by original equipment manufacturer (OEM) belts available from your nearest service center. Using other than OEM belts can cause personal injury or damage to the product.



WARNING: The belt replacement requires separation of the product. While separating the auger housing from the frame, it is important that an assistant stands in the operating position and holds the product handles. Serious personal injury and/or damage to the product could occur if the product falls during the belt replacement process.

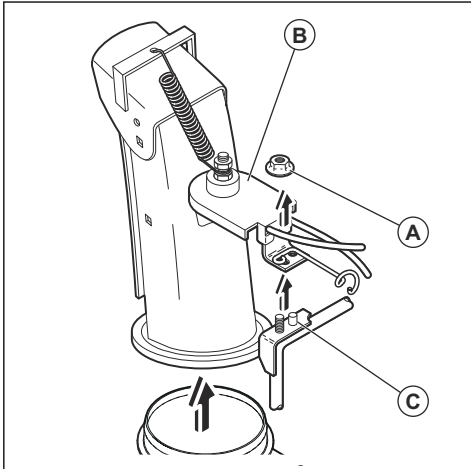
Note: The auger and traction drive belts are not adjustable. Replace the belts if they are damaged or begin to slip from wear. It is recommended to have the belts replaced by a qualified service center.

Note: It is recommended to replace the drive belt and auger belt at the same time.

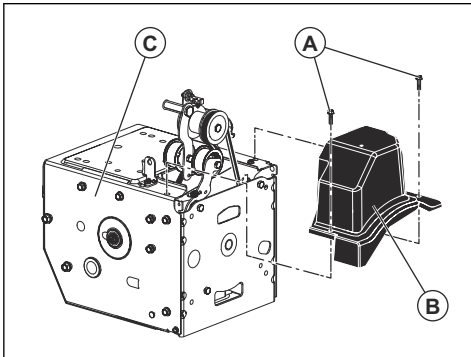
To prepare for replacement of the belts

1. Remove the fuel from the fuel tank.

- Loosen the lock nut (A) that secures the chute rotator head (B) to the mounting bracket (C) to remove the discharge chute.



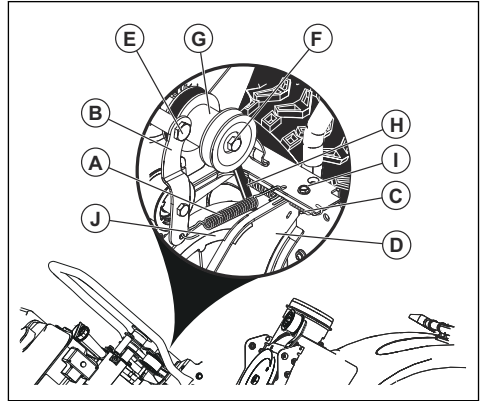
- Loosen the two screws (A) that secure the belt cover (B) to the frame (C) and remove the belt cover.



To remove the drive belt

- Remove the auger belt. See *To remove the auger belt on page 20*.

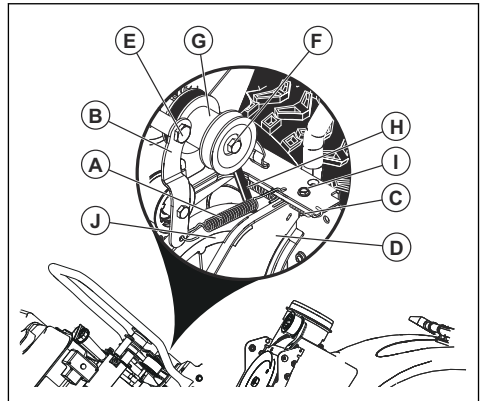
- Remove the tensioner spring (A) attached to the drive belt tensioner arm (B).



- Remove the return spring (C) holding the swing plate (D) in place.
- Remove the arm bolt (E) and drive belt tensioner arm.
- Remove the pulley bolt (F), engine pulley (G) and drive belt (H) from the engine.
- Remove the top bolt (I) holding the swing plate to the frame
- Pivot and hold the swing plate away from the product and remove the drive belt from the drive pulley (J).

To install the drive belt

- Pivot and hold the swing plate (D) away from the product.



- Put the drive belt (H) onto the drive pulley (J).

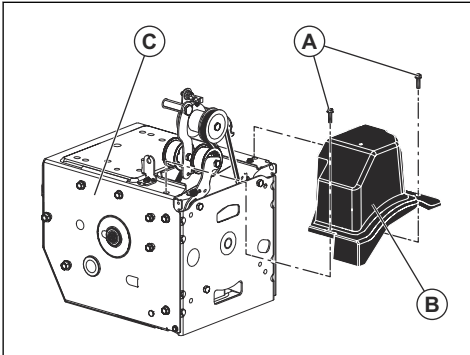
Note: Make sure that the drive belt is routed in the drive pulley groove properly before you lower the swing plate.

- Install and tighten the top bolt (I).

4. Put the drive belt in the groove of the engine pulley (G) before installing on the engine shaft.
5. Install the pulley bolt (F) and attach the engine pulley on the engine. Tighten the pulley bolt (30-35 Ft. Lbs. / 41-47 Nm).
6. Install the drive belt tensioner arm (B) and tighten the arm bolt (E) on the engine.
7. Install the return spring (C) on the swing plate.
8. Install the tensioner spring (A) on the tensioner arm.
9. Operate all controls to make sure that the drive belt is installed correctly and that all components are moving correctly.

To install the belt cover

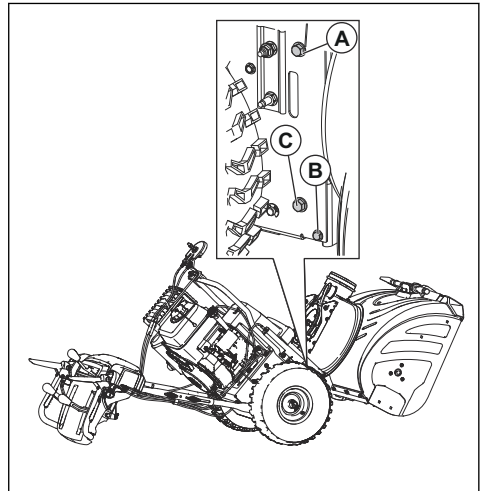
1. Install the belt cover (B) on the frame (C) and tighten the two screws (A).



2. Install the discharge chute.

To remove the auger belt

1. Remove the 5/16" bolts (A) and the lower 1/4" bolts (B) from the 2 sides of the frame assembly. Do not discard the bolts.



2. Loosen but do not remove the lower 5/16" bolts (C) on the 2 sides of the frame assembly.
3. Remove the auger belt from the engine pulley.
4. Tilt the rear section down. The front section is tilted forward at the same time. The bottom bolt (C) is a hinge between the front and rear sections.
5. Put a wooden block below the hinge point to set the product in the tilted position.
6. Move the auger belt tensioner arm and remove the auger belt from around the arm.

To install the auger belt

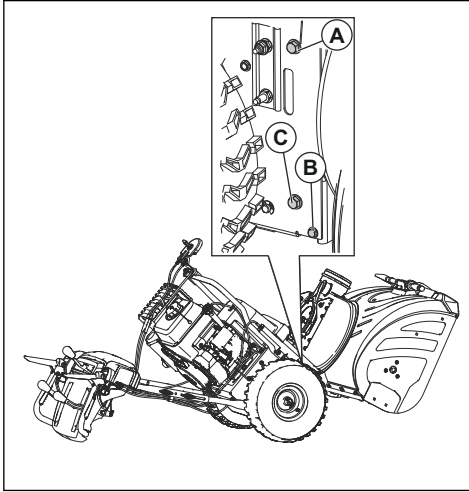
1. Move the belt tensioner arm and put the auger belt around and in the groove of the auger pulley.



CAUTION: Make sure that the belt is not caught between the frame and auger housing as you put the unit together.

2. Remove the wooden block from below the product.
3. Lift the handle to tilt the rear section up. The front section will tilt back and pivot to attach the rear section.
4. Make sure that the belt is put in the auger pulley groove correctly.

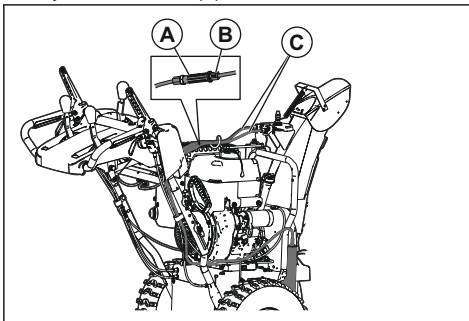
5. Install the 5/16" bolts (A), (C) and tighten (8-12 Ft.Lbs / 11-16 Nm).



6. Install the 1/4" bolts (B) and tighten (4-6 Ft.Lbs / 5-8 Nm).
7. Install the auger belt on the engine pulley. Make sure that the belt is put correctly around the idler pulley and installed correctly in the engine pulley groove.
8. Operate all controls to make sure that the auger belt is installed correctly and that all components are moving correctly.

To adjust the tension of the cable for the discharge chute deflector

1. Loosen the jam nuts (B) to adjust the tension of the cable for the discharge chute adjacent to the adjuster turnbuckle (A).

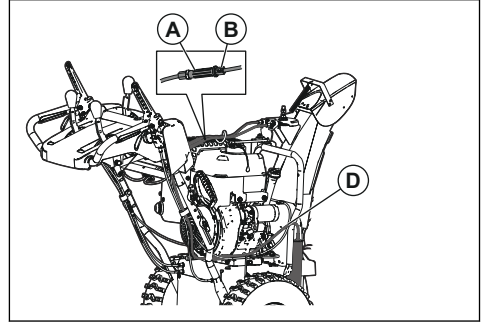


2. Hold the short section and turn the long section to increase the adjuster.
3. Adjust until the cable for the discharge chute deflector (C) has a tight fit. Tighten the jam nuts.

To adjust the auger control cable

Note: If you do not feel comfortable making this adjustment yourself, please contact an authorized service center. Adjustments can be needed if the impeller and auger rotation is sluggish when engaging the auger control lever, or if the auger belt has been replaced.

1. Loosen the jam nuts (B) next to the turn buckle (A) to adjust the cable tension in the auger control cable (D).



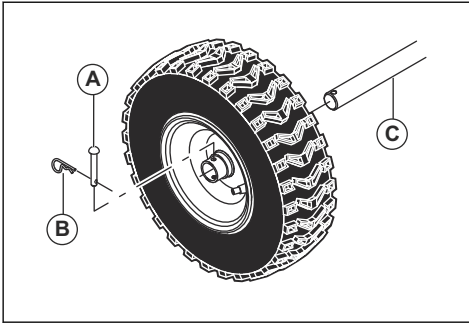
2. Hold the short section and turn the long section. Turn it 360 degrees.
3. Test the auger engagement. Repeat the adjustment until only a small amount of tension remains in the cable when the lever is disengaged.
4. Tighten the bottom jam nut to lock in the tension.
5. Ask an assistant to stand 10 feet / 3 meters in front of the product, on the opposite side of the chute. The assistant observes the rotation of the auger and measures the time it takes for the auger to stop rotating after the lever is released. If the auger stops rotating after 5 seconds, adjust the cable by rotating the center barrel 360 degrees, to contract the adjuster. Test the auger engagement and measure the stop time again. If the auger stops rotating in less than 5 seconds, continue with the next step.
6. Tighten the jam nut on the auger cable.

Note: If the adjustment does not resolve the problem, replace the auger belt. See *To remove the auger belt on page 20*.

To remove the wheels

1. Remove the wheel pin (A) and the retainer pin (B).

2. Remove the wheel from the axle (C).



To clean the product

- Clean plastic parts with a clean and dry cloth.
- Do not use a high pressure washer to clean the product.
- Do not flush water directly on the motor.
- Use a brush to remove leaves, grass and dirt.

Troubleshooting

Troubleshooting

Problem	Possible cause	Solution
The product does not start	The safety ignition key is not inserted.	Insert the safety ignition key.
	The product is out of fuel.	Fill the fuel tank with fresh, clean gasoline.
	The ON/OFF key is OFF.	Move the ON/OFF key to ON position.
	The choke is in OFF (CLOSE) position.	Move the choke to ON (FULL, OPEN) position.
	The primer is not depressed.	Press the primer.
	The engine is flooded.	Wait a few minutes before restarting, DO NOT prime. Restart the engine while full throttle and the choke in OFF (CLOSE) position.
	The spark plug cable is not connected.	Connect the cable to the spark plug.
	The spark plug is bad.	Replace the spark plug.
	There is water in the fuel or the fuel is too old.	Empty the fuel tank and carburetor. Fill the fuel tank with fresh, clean gasoline.
	There is vapor locked in the fuel line.	Make sure that all the fuel line is below the outlet of the fuel tank. The fuel line should run continuously down from fuel tank to carburetor.
	Other causes.	Inspect the starting procedures carefully in this manual.
	The fuel switch (if equipped) is in CLOSE (OFF) position.	Turn the fuel switch to OPEN (ON) position.
The throttle is in STOP position.	Move the throttle to FAST position.	

Problem	Possible cause	Solution
Decreased power	The spark plug cable is not connected.	Connect the cable to the spark plug.
	The product throws too much snow.	Decrease the speed and the width of the swath.
	The fuel tank cap is covered with ice or snow.	Remove the ice and the snow on and around the fuel tank cap.
	The muffler is dirty or clogged.	Clean or replace the muffler.
	Improper cable length.	Adjust the cable.
	The muffler is blocked.	Make sure that the engine is cool. Clear the blockage.
	The air intake of the carburetor is blocked.	Make sure that the engine is cool. Clear the blockage.
The engine idles or runs roughly	The choke is in ON (FULL, OPEN) position.	Move the choke to OFF (CLOSE) position.
	The fuel line is blocked.	Clean the fuel line.
	There is water in the fuel or the fuel is too old.	Empty the fuel tank and carburetor. Fill the fuel tank with fresh, clean gasoline.
	The carburetor needs to be replaced.	Contact an authorized service center.
	The belt is stretched.	Replace the auger v-belt.
Excessive vibration / Handle movement	Some parts are loose. The augers are damaged.	Tighten all fasteners. Replace the damaged parts. If vibration remains, contact an authorized service center.
	The handles are not positioned correctly.	Make sure that the handles are locked into position.
	The adjustment lever nuts are loose.	Tighten the nuts until the handle feels safe.
The starter rope handle is hard to pull	The starter rope handle is frozen.	Slowly pull out as much rope out of the starter as possible and release the starter rope handle. If the engine does not start, repeat the procedure or use the electrical starter.
	The starter rope is interfering with components.	The starter rope should not touch any cables or hoses.

Problem	Possible cause	Solution
Loss of traction drive/ slowing of drive speed	The belt slips.	Adjust the cable. Adjust the belt.
	The belt is worn.	Check / replace the belt. Adjust the pulley.
Loss of snow discharge or slowing of snow discharge	The belt is off the pulley.	Check / reinstall the belt. Adjust the pulley.
	The chute deflector is clogged.	Clean the chute deflector.
	Foreign objects clog the augers.	Remove the debris or the foreign object from the augers.
	The shear pin is broken.	Replace the broken shear pin.
	Excessive snow and ice build up in between track components.	Remove snow and ice build up from in between track components.
	The friction drive wheel is worn.	Contact an authorized service center.
	The friction disc is wet	Let the friction disc dry
	Failure of auger rotation after the grip is released	The drive belt is not aligned.
The discharge deflector is not aligned.		Adjust the discharge deflector.
The lights are not on (if so equipped)	The engine is not running.	Start the engine.
	The cable connection is loose.	Check the cable connections at the engine and the lights.
	The LED is burnt out.	Replace the LED light module. Individual LEDs can not be replaced.
The chute rotator is difficult to move	There is debris in the chute rotator mechanism.	Clean the internal parts of the chute rotator mechanism.
	The cables are kinked or damaged.	Make sure that the cables are not kinked. Replace the cables that are damaged.
The product turns to one side	The tire pressure is not equal.	Adjust the tire pressure and fill the tire.
	The product drives with only one wheel.	Inspect the tire lock pin.
	Uneven sled adjustment.	Adjust the skid plates and the sledge.
	Uneven skid plates adjustment.	Adjust the skid plates and the sledge.

Transportation, storage and disposal

Transportation and storage

- For storage and transportation of the product and fuel, make sure that there are no leaks or fumes. Sparks or open flames, for example from electrical devices or boilers, can start a fire.
- Always use approved containers for storage and transportation of fuel.
- Empty the fuel tank before you put the product in storage for a long period of time. Discard the fuel at an applicable disposal location
- Safely attach the product during transportation to prevent damage and accidents.
- Keep the product in a locked area to prevent access for children or persons that are not approved.
- Keep the product in a dry and frost free area.

Disposal

- Obey the local recycling requirements and applicable regulations.
- Discard all chemicals, such as engine oil or fuel, at a service center or at an applicable disposal location.

- When the product is no longer in use, send it to a Husqvarna dealer or discard it at a recycling location.

Technical data

Technical data

Note: All data, images and specifications are typical and for reference only, and may be changed due to product improvement without prior notice.

	ST 224	ST 227P	ST 230P
Dimensions			
Weight, lb / kg	198.6 / 90	212 / 96	237.8 / 108
Max Operating Tire Pressure, PSI	18	18	20
Engine			
Brand / Model	LCT	LCT	LCT
Displacement, cc	208	254	291
Fuel type	Unleaded regular (maximum 10% ethanol)		
Fuel capacity, gallons / liters	0.31 / 1.17	0.35 / 1.33	0.62 / 2.35
Oil	SAE 5W30 (below 0°C (32°F))		
Oil capacity ounces / liters	16 / 0.47	20 / 0.59	32 / 0.95
Electrical system			
Spark plug	F6RTC or F7RTC, Gap: 0.030" (0,762 mm)		
Noise emissions ⁴			
Sound power level, measured dB(A)	105	105	105
Sound power level, guaranteed L _{WA} dB(A)	105	105	105
Sound levels			
Sound pressure level at the operators ear, dB(A)	88.4	88.4	88.4
Vibration levels, a_{hveq} ⁵			
Vibration level on the handle, m/s ²	5.74	4.89	4.66

⁴ Noise emissions in the environment measured as sound power (L_{WA}) in conformity with EC directives 2000/14/EC and 2005/88/EC.

⁵ Vibration level according to ISO 5349-2 EN 1033.

EC Declaration of Conformity

CONTENTS OF THE EC DECLARATION OF CONFORMITY

We, Husqvarna, SE-561 82 Huskvarna, SWEDEN,
declare under our sole responsibility that the represented
product:

Description	Snowthrower
Brand	Husqvarna
Platform / Type / Model	ST 224, ST 227P, ST 230P
Batch	Serial number dating 2018 and onwards

complies fully with the following EU directives and
regulations:

Directive/Regulation	Description
2006/42/EC	"relating to machinery"
2014/30/EU	"relating to electromagnetic compatibility"
2000/14/EC; 2005/88/EC	"relating to outdoor noise"

Harmonized standards and/or technical specifications
applied are as follows:

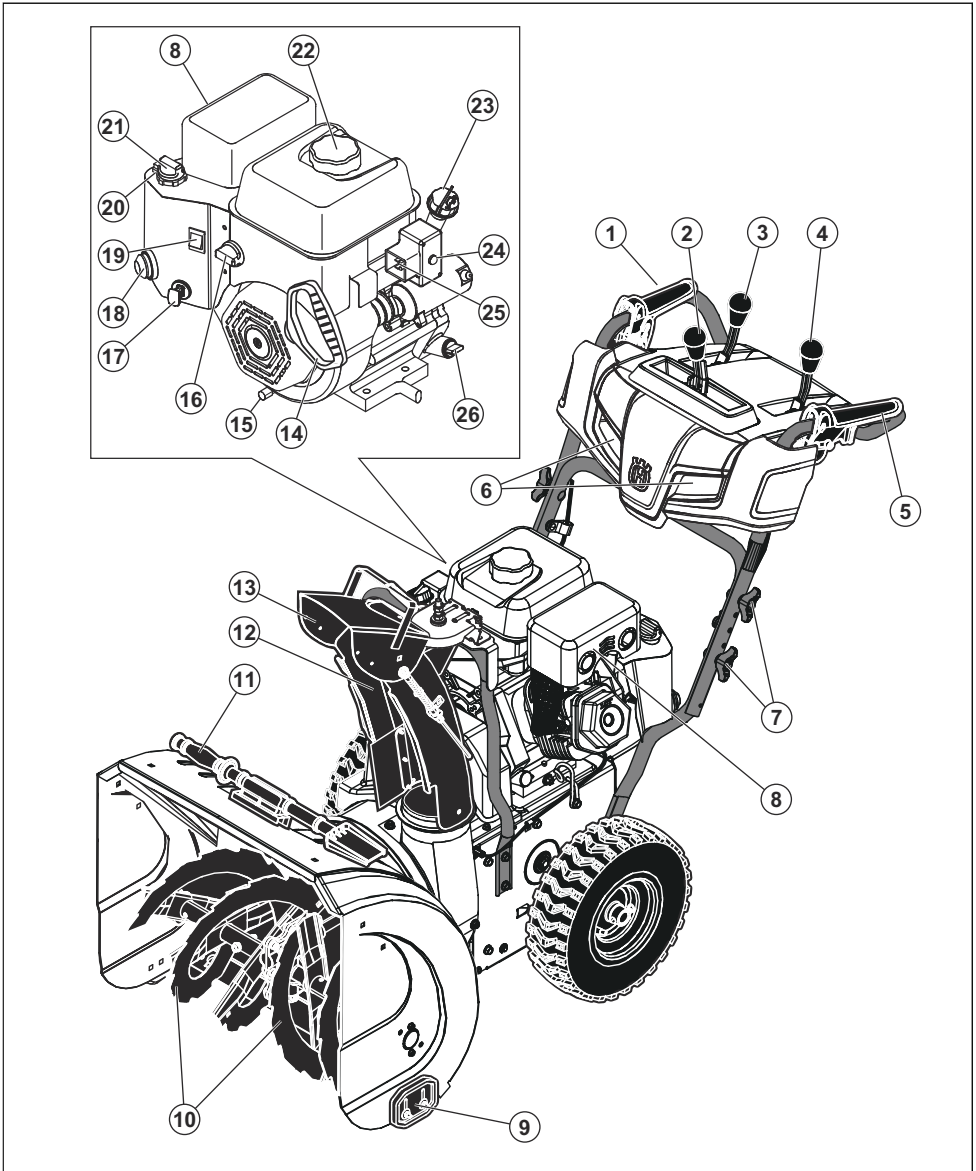
In accordance with directive 200/14/EC, Annex V, the
declared sound values are stated in the technical data
section of this manual and in the signed EC Declaration
of Conformity.

The supplied snowthrower conforms to the example that
underwent examination.

Inhalt

Einleitung.....	28	Fehlerbehebung.....	49
Sicherheit.....	31	Transport, Lagerung und Entsorgung.....	52
Montage.....	34	Technische Angaben.....	52
Betrieb.....	37	EG-Konformitätserklärung.....	54
Wartung.....	42		

Geräteübersicht



1. Schneckenaktivierung
2. Steuerhebel Auswurfsammler

3. Steuerhebel Antriebsgeschwindigkeit
4. Fernsteuerhebel Prallblech

5. Antriebsaktivierung
6. Beleuchtung
7. Griffknopf
8. Schalldämpfer
9. Gleitplatte
10. Schnecken
11. Reinigungswerkzeug
12. Auswurfsammler
13. Prallblech Auswurfsammler
14. Startseilhandgriff
15. Ölablassschraube
16. Kraftstoffschalter
17. ON/OFF-Schlüssel
18. Primer
19. ON/OFF-Schalter (ST 227P, ST 230P)
20. Gashebel
21. Choke
22. Einfülldeckel für Kraftstoff
23. Öltankdeckel mit Messstab (ST 227P, ST 230P)
24. Taste für Elektrostart
25. Anschluss, Elektrostart
26. Öltankdeckel mit Messstab (ST 224)

Produktbeschreibung

Bei dem Produkt handelt es sich um eine fahrbare Schneefräse, die zum Räumen von Schnee eingesetzt wird.

Verwendungszweck

Dieses Gerät lässt sich verwenden, um Schnee von Feldern, Straßen, Gehwegen und aus Einfahrten zu entfernen. Verwenden Sie die Schneefräse nicht auf Hängen mit mehr als 20° Neigung. Verwenden Sie das Gerät nicht in stark durch Schutt und Schmutz verunreinigten Bereichen und nicht in Bereichen, in denen Steine aus der Oberfläche hervorragen.

Symbole auf dem Gerät

Hinweis: Wenn die Aufkleber auf dem Produkt beschädigt sind, kontaktieren Sie den Händler, um diese ersetzen zu lassen.



Warnung.



Lesen Sie die Bedienungsanleitung.



Motor ein



Motor aus.



Schnell.



Langsam.



Choke.



Primer.



Öl.



Kraftstoff.



Achtung.



Europäische Maschinenrichtlinie für die Sicherheit.



Nach links lenken.



Nach rechts lenken.



Höheneinstellung der Schnecke.



Blasgerät aus.



Blasgerät ein.



Fahrantrieb aus.



Fahrantrieb ein.



Entfernen Sie die Abdeckungen nicht, während der Motor läuft.



Gehörschutz empfohlen.



Schalleistungspegel.



EIN-/AUS-Schlüssel. Stecken Sie ihn zum Starten ein.



Choke geschlossen (Start).



Primer.



Ziehen Sie zum Starten am Startseilhandgriff.



Choke offen (Betrieb).



EIN-/AUS-Schlüssel. Ziehen Sie ihn zum Stoppen heraus.



Betrieb an Hängen mehr mit als 10 Grad Steigung/Gefälle nicht möglich.



Entfernen Sie vor der Wartung das Zündkerzenkabel.



Heiße Oberfläche.



Kraftstoffabsperrentil.



Warnung, Hände fernhalten.



Warnung, Füße fernhalten.



Gefahr durch fliegende Objekte, halten Sie unbefugte Personen fern.



Nach links drehen/nach unten drücken/nach rechts drehen.



Vorwärts/rückwärts.



Aufwärts/abwärts.

Produkthaftung

Im Sinne der Produkthaftungsgesetze übernehmen wir keine Haftung für Schäden, die unser Gerät verursacht, wenn...

- das Gerät nicht ordnungsgemäß repariert wurde.
- das Gerät mit Teilen repariert wurde, die nicht vom Hersteller stammen oder vom Hersteller zugelassen sind.
- ein Zubehöerteil mit dem Gerät verwendet wird, das nicht vom Hersteller stammt oder vom Hersteller zugelassen ist.

- das Gerät nicht bei einem zugelassenen Service Center oder von einer zugelassenen offiziellen Stelle repariert wurde.

Sicherheit

Sicherheitsdefinitionen

Die nachstehenden Definitionen geben den Schweregrad für jedes Signalwort an.



WARNUNG: Personenschäden.



ACHTUNG: Schäden am Gerät.

Hinweis: Diese Informationen erleichtern die Verwendung des Geräts.

Allgemeine Sicherheitshinweise

- Verwenden Sie das Gerät ordnungsgemäß. Eine falsche Verwendung kann zu schweren bis tödlichen Verletzungen führen. Verwenden Sie das Gerät nur für die in dieser Betriebsanleitung aufgeführten Arbeiten. Verwenden Sie das Gerät nicht für andere Aufgaben.
- Beachten Sie die Anweisungen in dieser Bedienungsanleitung. Beachten Sie die Symbole und die Sicherheitshinweise. Die Nichtbeachtung der Anweisungen und Symbole kann zu Verletzungen oder zum Tod führen.
- Werfen Sie diese Bedienungsanleitung nicht weg. Verwenden Sie die Anweisungen für das Zusammensetzen und den Betrieb, und halten Sie Ihr Gerät in gutem Zustand. Befolgen Sie die Anweisungen für die korrekte Installation von Anbaugeräten und Zubehörteilen. Verwenden Sie ausschließlich zugelassene Anbaugeräte und Zubehörteile.
- Verwenden Sie das Gerät nicht, wenn es beschädigt ist. Halten Sie sich an den Wartungsplan. Führen Sie nur diejenigen Wartungsarbeiten aus, die Sie in den Anweisungen in dieser Bedienungsanleitung finden. Alle sonstigen Wartungsarbeiten müssen von einer autorisierten Servicewerkstatt durchgeführt werden.
- Diese Bedienungsanleitung kann nicht alle Situationen abdecken, die bei der Verwendung des Geräts auftreten können. Seien Sie immer vorsichtig und arbeiten Sie mit gesundem Menschenverstand. Führen Sie keine Arbeiten mit oder Wartungen am Gerät durch, wenn Sie sich in einer Situation unsicher sind. Wenden Sie sich an einen Produktfachmann, Ihren Fachhändler, Ihren Service Vertreter oder das autorisierte Service Center für weitere Informationen.
- Ziehen Sie den Zündkerzenstecker ab, bevor Sie das Gerät zusammenbauen, einlagern oder warten.
- Verwenden Sie das Gerät nicht, wenn es nicht mehr der ursprünglichen Spezifikation entspricht. Ändern Sie kein Teil des Geräts ohne Genehmigung des Herstellers. Verwenden Sie nur Teile, die vom Hersteller genehmigt wurden. Eine falsche Wartung kann zu schweren bis tödlichen Verletzungen führen.
- Atmen Sie die Abgase des Motors nicht ein. Das Einatmen der Motorabgase über längere Zeit kann eine Gefahr für die Gesundheit darstellen.
- Das Gerät sollte nicht im Innenbereich oder in der Nähe von feuergefährlichen Stoffen gestartet werden. Die Abgase sind heiß und können Funken erzeugen, die einen Brand verursachen können. Eine mangelhafte Luftzirkulation kann zu schweren oder tödlichen Verletzungen durch Ersticken oder eine Kohlenmonoxidvergiftung führen.
- Wenn Sie das Gerät nutzen, erzeugt der Motor ein elektromagnetisches Feld. Das elektromagnetische Feld kann medizinische Implantate beschädigen. Sprechen Sie vor der Inbetriebnahme des Geräts mit Ihrem Arzt und dem Hersteller des medizinischen Implantats.
- Lassen Sie nicht zu, dass Kinder das Gerät verwenden. Erlauben Sie nicht, dass Personen ohne Kenntnis der Anweisungen das Gerät bedienen.
- Stellen Sie sicher, dass Personen mit verminderter physischer oder psychischer Leistungsfähigkeit dieses Gerät nicht unbeobachtet verwenden. Es muss immer ein verantwortlicher Erwachsener anwesend sein.
- Verschieben Sie das Gerät in einem Bereich, zum dem Kinder und nicht autorisierte Personen keinen Zugang haben.
- Das Gerät kann Objekte auswerfen und Verletzungen verursachen. Beachten Sie die Sicherheitshinweise, um das Risiko von Verletzungen oder Tod zu verringern.
- Entfernen Sie sich nicht vom Gerät, wenn der Motor eingeschaltet ist.
- Der Bediener des Geräts trägt bei einem Unfall die Verantwortung.
- Schauen Sie vor dem und während des Rückwärtslaufens nach hinten und nach unten, ob kleine Kinder, Tiere oder andere Gefahren im Weg sind, wegen derer Sie stürzen könnten.
- Überprüfen Sie vor dem Gebrauch das Gerät auf schadhafte Teile.
- Achten Sie vor dem Gebrauch des Geräts darauf, einen Mindestabstand von 15 m von anderen Personen oder von Tieren einzuhalten. Stellen Sie

sicher, dass eine Person in einem angrenzenden Bereich weiß, dass Sie das Gerät benutzen.

- Halten Sie sich an nationale und lokale gesetzliche Bestimmungen. Diese können den Betrieb des Geräts unter bestimmten Bedingungen verhindern oder einschränken.

Sicherheitshinweise für den Betrieb

- Halten Sie Hände und Füße von rotierenden Geräteteilen fern und achten Sie darauf, dass Hände oder Füße nicht unter rotierende Geräteteile geraten. Halten Sie sich stets von der Auswurföffnung fern.
- Äußerste Vorsicht ist angebracht, wenn Sie das Gerät auf bekiesten Flächen einsetzen oder solche Flächen damit überqueren. Achten Sie auf versteckte Gefahrenquellen und auf den Verkehr.
- Wenn die Schneefräse auf einen Fremdkörper trifft, stoppen Sie den Motor, entfernen Sie das Zündkabel von der Zündkerze, lösen Sie bei Elektromotoren das Netzkabel, untersuchen Sie das Gerät sorgfältig auf Beschädigungen und beheben Sie eventuelle Beschädigungen, bevor Sie das Gerät wieder in Betrieb nehmen.
- Falls das Gerät außergewöhnlich stark vibriert, stoppen Sie den Motor und prüfen Sie sofort die Ursache der Vibration. Vibration weist meist auf einen Fehler hin.
- Stoppen Sie den Motor, wenn Sie die Arbeit mit dem Gerät unterbrechen (also die Arbeitsposition verlassen), bevor Sie Verstopfungen an der Schnecke oder am Leitblech der Auswurfschütte beseitigen und immer dann, wenn Sie Reparaturen, Einstellungen oder Überprüfungen vornehmen.
- Stoppen Sie vor dem Reinigen, Reparieren oder Überprüfen des Geräts den Motor und vergewissern Sie sich, dass die Schnecken und alle beweglichen Teile zum Stillstand gekommen sind. Ziehen Sie das Zündkabel ab und halten Sie es von der Zündkerze fern, sodass ein unbeabsichtigtes Starten des Motors durch Dritte ausgeschlossen ist.
- Betreiben Sie den Motor nicht in geschlossenen Räumen, außer, wenn der Motor angelassen wird und zum Transportieren des Geräts in ein Gebäude hinein bzw. aus einem Gebäude heraus. Öffnen Sie die Außentüren; Abgase sind gefährlich.
- Bei Arbeiten auf abschüssigem Gelände ist äußerste Vorsicht geboten.
- Benutzen Sie das Produkt nur, wenn alle vorgeschriebenen Sicherheits- und Schutzvorrichtungen vorhanden und in Betrieb sind.
- Richten Sie das Leitblech der Auswurfschütte so aus, dass der ausgeworfene Schnee keine Personen treffen und keine Sachschäden verursachen kann. Halten Sie Kinder und andere Personen fern.
- Überlasten Sie das Gerät nicht, indem Sie versuchen, den Schnee zu schnell zu räumen.
- Lassen Sie das Gerät auf rutschigen Flächen nie in hoher Transportgeschwindigkeit laufen. Wenn Sie das Gerät im Rückwärtsgang bedienen, gehen Sie

vorsichtig vor und achten Sie auf den Bereich hinter sich.

- Schalten Sie die Stromzufuhr zu den Schnecken ab, wenn die Schneefräse transportiert wird oder nicht in Gebrauch ist.
- Verwenden Sie nur Zusatzgeräte und Zubehör, das vom Produkthersteller zugelassen ist (z. B. Radgewichte, Gegengewichte oder Bedienerkabinen).
- Arbeiten Sie nie mit dem Gerät, wenn schlechte Sicht- und Lichtverhältnisse vorherrschen. Achten Sie darauf, nicht auszurutschen, und halten Sie die Schneefräse am Griff gut fest. Gehen Sie langsam, rennen Sie nicht.
- Berühren Sie Motor und Schalldämpfer nicht, solange diese Geräteteile heiß sind.

Sicherheit im Arbeitsbereich

- Inspizieren Sie sorgfältig das Gelände, in dem das Gerät eingesetzt werden soll, und entfernen Sie alle losen Gegenstände wie Fußabtreter, Schlitten, Ski, Kabel und Sonstiges.
- Kuppeln Sie alle Kupplungen aus und schalten Sie die Schneefräse in den Leerlauf, bevor Sie den Motor starten.
- Bedienen Sie das Gerät nur in geeigneter Winterbekleidung. Tragen Sie keine zu locker sitzende Kleidung, die sich in beweglichen Teilen des Geräts verfangen könnte. Tragen Sie Schuhe, die Ihnen auf rutschigen Flächen sicheren Halt geben.
- Gehen Sie mit Kraftstoff vorsichtig um. Kraftstoff ist leicht entflammbar.
 - Verwenden Sie einen geprüften Benzinkanister.
 - Füllen Sie nie Kraftstoff nach, während der Motor läuft oder stark erhitzt ist.
 - Füllen Sie den Kraftstofftank nur im Freien nach und gehen Sie dabei mit großer Umsicht vor. Füllen Sie den Kraftstofftank nie in geschlossenen Räumen.
 - Füllen Sie Benzinkanister nie in einem Fahrzeug oder auf der Ladefläche eines Transporters oder LKWs mit Kunststoffverkleidung. Füllen Sie Benzinkanister grundsätzlich auf dem Boden und in ausreichend Abstand zu Fahrzeugen.
 - Tanken Sie benzinbetriebene Geräte, wenn möglich, auf dem Boden und in ausreichend Abstand von Fahrzeugen auf. Wenn das nicht möglich ist, tanken Sie benzinbetriebene Geräte auf der Ladefläche auf, und zwar aus einem transportablen Kanister, nicht direkt aus der Zapfsäule.
 - Der Zapfhahn muss die Einfüllöffnung des Kraftstofftanks bzw. Benzinkanisters während des Tankens ständig berühren. Verwenden Sie keine Vorrichtung zum dauerhaften Offenhalten des Zapfhahns.
 - Schrauben Sie den Tank bzw. Kanister sorgsam zu und wischen Sie verschütteten Kraftstoff weg.

- Gerät Kraftstoff auf die Kleidung, wechseln Sie diese sofort.
- Verwenden Sie bei Geräten mit Elektroantriebsmotoren oder Elektrostartmotoren die vom Hersteller angegebenen Verlängerungskabel und Steckdosen.
- Verstellen Sie die Höhe des Schneckengehäuses entsprechend der zu beräumenden Kies- oder Schotterflächen.
- Versuchen Sie nie bei laufendem Motor Einstellungen irgendwelcher Art vorzunehmen, es sei denn, dies wird vom Hersteller ausdrücklich so empfohlen.
- Tragen Sie beim Betrieb, beim Einstellen oder bei einer Reparatur des Geräts immer eine Schutzbrille oder einen anderen Augenschutz, um die Augen zu schützen, falls Gegenstände vom Gerät durch die Luft geschleudert werden.

Persönliche Schutzausrüstung

Verwenden Sie beim Arbeiten mit dem Gerät stets die geeignete persönliche Schutzausrüstung. Dazu gehören mindestens festes Schuhwerk, Schutzbrille und Gehörschutz. Die persönliche Schutzausrüstung beseitigt die Verletzungsgefahr nicht, kann aber bei einem Unfall den Verletzungsgrad mindern.

- Tragen Sie immer eine Schutzbrille oder einen anderen Augenschutz, wenn Sie das Gerät bedienen oder wenn Sie Wartungs- und Reparaturarbeiten durchführen.
- Tragen Sie stets geeignete Winterbekleidung, wenn Sie das Gerät bedienen.
- Tragen Sie stets robuste Stiefel mit rutschhemmender Sohle, die guten Halt bis über die Knöchel bieten, wenn Sie das Produkt bedienen.
- Tragen Sie keine locker sitzende Kleidung, die sich in beweglichen Teilen verfangen könnte.
- Tragen Sie gegebenenfalls zugelassene Schutzhandschuhe. Zum Beispiel beim Einbauen, Überprüfen oder Reinigen der Schneckenflügel.
- Tragen Sie immer einen zugelassenen Gehörschutz beim Arbeiten mit dem Gerät. Lärmbelastung über einen längeren Zeitraum kann zu lärmbedingten Hörschäden führen.

Sicherheitsvorrichtungen am Gerät

- Achten Sie darauf, das Gerät regelmäßig zu warten.
 - Dies erhöht die Lebensdauer des Geräts.
 - Die Gefahr von Unfällen sinkt.

Lassen Sie einen Vertragshändler oder ein autorisiertes Service Center das Gerät regelmäßig überprüfen, um Einstellungen oder Reparaturen vorzunehmen.

- Benutzen Sie kein Gerät mit defekten Schutzvorrichtungen. Wenn das Gerät beschädigt ist, wenden Sie sich an ein autorisiertes Service Center.

Schalldämpfer

Der Schalldämpfer senkt den Geräuschpegel so weit wie möglich und hält die Abgase des Motors vom Anwender fern.

Verwenden Sie das Gerät nicht, wenn der Schalldämpfer fehlt oder defekt ist. Ein defekter Schalldämpfer erhöht den Geräuschpegel und die Brandgefahr.

Überprüfen Sie den Schalldämpfer regelmäßig, um sicherzustellen, dass er richtig angebracht und nicht beschädigt ist.



ACHTUNG: Der Schalldämpfer wird während und nach Gebrauch und wenn der Motor im Leerlauf läuft, sehr heiß. Seien Sie in der Nähe von entzündlichen Materialien und/oder Dämpfen besonders vorsichtig, um Brandgefahr zu verhindern.

Sicherer Umgang mit Kraftstoff



WARNUNG: Lesen Sie die folgenden Warnhinweise, bevor Sie das Gerät benutzen.

- Starten Sie das Gerät nicht, wenn sich Kraftstoff oder Öl darauf befindet. Entfernen Sie den unerwünschten Kraftstoff bzw. das Öl und lassen Sie das Gerät trocknen.
- Wechseln Sie sofort die Kleidung, wenn Sie Kraftstoff darauf verschütten.
- Lassen Sie keinen Kraftstoff auf Ihren Körper gelangen, denn dies kann zu Verletzungen führen. Wenn Kraftstoff auf Ihre Haut gelangt, waschen Sie diesen mit Wasser und Seife ab.
- Starten Sie das Gerät nicht, wenn der Motor undicht ist. Überprüfen Sie den Motor regelmäßig auf Undichtigkeiten.
- Gehen Sie vorsichtig mit Kraftstoff um. Kraftstoff ist feuergefährlich, und die Dämpfe sind explosiv und können zu Verletzungen oder sogar zum Tod führen.
- Atmen Sie die Kraftstoffdämpfe nicht ein, denn sie sind gesundheitsschädigend. Achten Sie auf ausreichende Belüftung.
- Rauchen Sie nicht in der Nähe des Kraftstoffs oder des Motors.
- Stellen Sie keine heißen Gegenstände in der Nähe des Kraftstoffs oder Motors ab.
- Füllen Sie keinen Kraftstoff nach, während der Motor läuft.
- Vergewissern Sie sich, dass der Motor abgekühlt ist, bevor Sie Kraftstoff nachfüllen.
- Öffnen Sie vor dem Nachfüllen den Tankdeckel langsam und lassen Sie den Druck vorsichtig entweichen.
- Füllen Sie keinen Kraftstoff in den Motor, wenn Sie sich in einem Innenraum befinden. Eine mangelhafte Luftzirkulation kann zu schweren oder tödlichen

Verletzungen durch Ersticken oder eine Kohlenmonoxidvergiftung führen.

- Schrauben Sie den Kraftstofftankdeckel fest zu. Wenn der Tankverschluss nicht fest zugeschraubt ist, besteht Feuergefahr.
- Bewegen Sie das Produkt vor dem Starten mindestens 3 m von der Stelle fort, an der Sie den Tank befüllt hatten.
- Überfüllen Sie den Kraftstofftank nicht.

Sicherheitshinweise für die Wartung



WARNUNG: Lesen Sie die folgenden Warnhinweise, bevor Sie das Gerät benutzen.

- Die Abgase des Motors enthalten Kohlenmonoxid, ein geruchloses, giftiges und sehr gefährliches Gas. Starten Sie den Motor nicht in Innenräumen oder in geschlossenen Räumen.
- Bevor Sie an dem Produkt eine Wartung durchführen, schalten Sie den Motor aus und ziehen Sie das Zündkabel von der Zündkerze ab.

- Tragen Sie Schutzhandschuhe, wenn Sie Wartungsarbeiten an den Schneckenflügeln durchführen. Die Flügel ist sehr scharf und man schneidet sich sehr leicht.
- Zubehörteile und Änderungen am Produkt, die vom Hersteller nicht genehmigt wurden, können zu schweren Verletzungen oder zum Tod führen. Verändern Sie das Produkt nicht. Verwenden Sie immer Teile, die vom Hersteller genehmigt wurden.
- Wenn die Wartung nicht ordnungsgemäß und regelmäßig erfolgt, erhöht sich die Verletzungsgefahr und das Risiko für eine Beschädigung des Produkts.
- Führen Sie nur Wartungsarbeiten durch, die gemäß dieser Betriebsanleitung vorgegeben sind. Alle anderen Wartungsarbeiten müssen von einer autorisierten Servicewerkstatt durchgeführt werden.
- Lassen Sie eine autorisierte Servicewerkstatt das Gerät regelmäßig warten.
- Ersetzen Sie beschädigte, abgenutzte oder defekte Teile.

Montage

So nehmen Sie das Gerät aus dem Karton

1. Entfernen Sie alle losen Teile, die im Lieferumfang des Geräts enthalten sind. Schneiden Sie die vier Ecken des Kartons ab, und klappen Sie die Endstreifen flach nach unten.
2. Entfernen Sie die beiden Schrauben, mit denen das Schneckengehäuse auf der Palette befestigt ist. Entfernen Sie ggf. die Stahlklammern von den Gleitplatten.
3. Entfernen Sie alle Verpackungsmaterialien.
4. Nehmen Sie das Gerät aus dem Karton, und stellen Sie sicher, dass keine losen Teile im Karton verbleiben.



Ein-/Aus-Schlüssel



Schlossschrauben 5/16-18 x 2 1/4" (2)



Griffknöpfe (2)



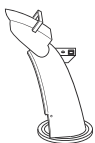
Sicherungsmutter 3/8 (1)



Drehknopf (3)



Kabelführung (1)



Auswurfsammler (1)



Scherbolzen 1/4-20 x 1-3/4 (6)



Sicherungsmuttern 1/4-20 (6)



Sicherungsmutter 5/16-18 (1)



Sicherungsmutter 1/4-20 (1)



Nylonscheibe (1)



Schlossschraube 5/16-18 x 5/8 (1)



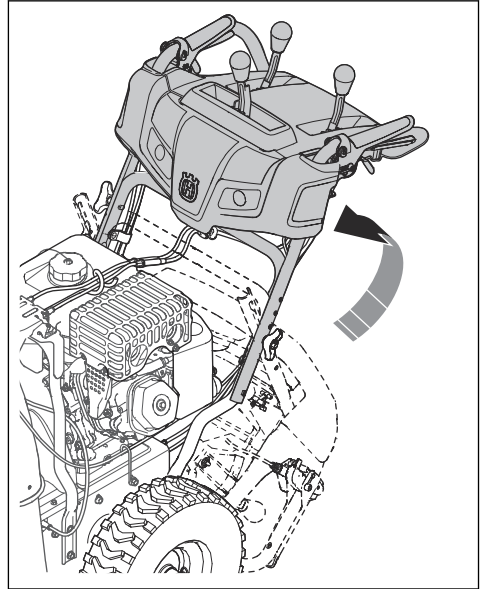
Feder (1)



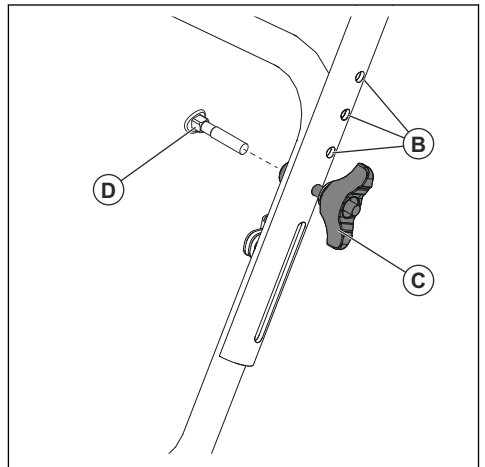
Bundbolzen 1/4-20 (1)

So montieren Sie den Griff

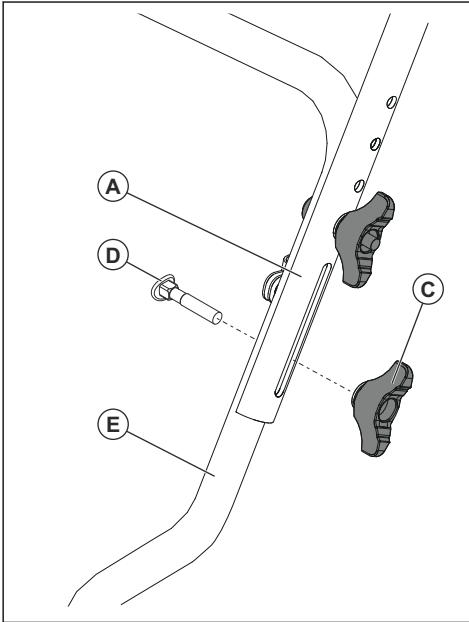
1. Heben Sie den oberen Griff an, bis die Betriebsposition erreicht ist.



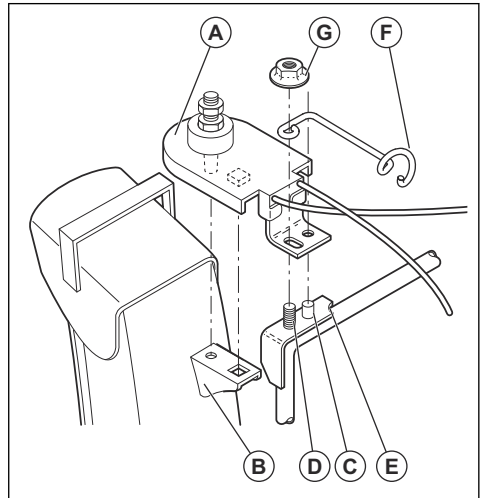
2. Passen Sie die Position des Griffs an eine der Befestigungsbohrungen (B) an und ziehen Sie die Griffknöpfe (C) mit den Schlossschrauben (D) fest an.



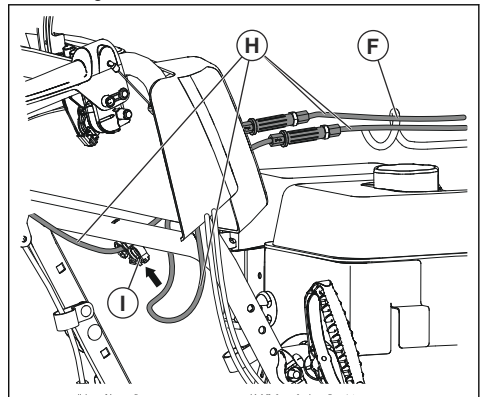
3. Installieren Sie zur Befestigung des oberen Griffs (A) an den unteren Griff (E) weitere Schlossschrauben (D) und Griffknöpfe (C).



4. Bringen Sie eine Sicherungsmutter (G) auf dem Gewindebolzen an und ziehen Sie sie fest an.



5. Verlegen Sie das Kabel durch die Kabelführung (F) und die Doppelklammer (I) hindurch, um das Kabel (H) der Drehvorrichtung am unteren Griff zu befestigen.



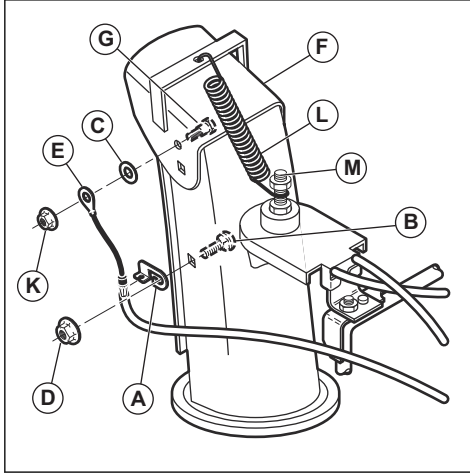
So installieren Sie das Leitblech für die Auswurfschütte und den Kopf der Auswurfschüttendrehung

1. Platzieren Sie die Leitblechbaugruppe an der Oberseite der Auswurfrinne, mit der Auswurföffnung in Richtung der Gerätevorderseite.
2. Platzieren Sie den Kopf (A) der Auswurfschüttendrehung auf den Auswurfschütten-Halter (B). Drehen Sie die Auswurfschüttenbaugruppe, um die Bolzen unter dem Kopf (A) der Auswurfschüttendrehung mit den Bohrungen im Auswurfschütten-Halter in Übereinstimmung zu bringen, wenn erforderlich.
3. Platzieren Sie den Kopf der Auswurfschüttendrehung auf dem Bolzen (C) und dem Gewindebolzen (D) auf dem Halter (E).

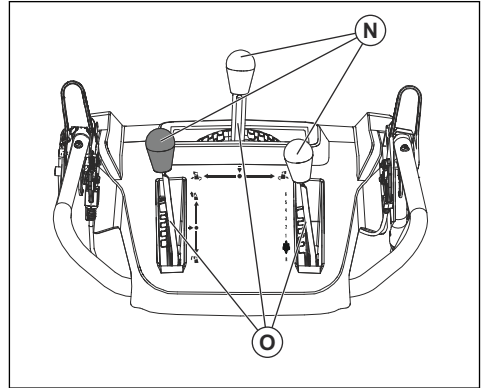
So installieren Sie die Fernbedienung für das Leitblech der Auswurfschütte ein

1. Befestigen Sie die Kabelklemme (A) für die Fernbedienung mit einer Schlossschraube (B) und einer 5/16-18 Sicherungsmutter (D) an der Auswurfschütte. Ziehen Sie dann die Schraube fest an.

2. Montieren Sie die Öse (E) für das Fernbedienungskabel mit einem Bundbolzen (G) und einer Nygonscheibe (C) an das Leitblech für die Auswurfschütte (F) und ziehen Sie sie mit einer 1/4-20 Sicherungsmutter (K) fest an. Die Kabelöse sitzt locker auf dem Bundbolzen.
3. Bringen Sie die Feder (L) zwischen der Sechskantmutter (M) auf dem Kopf der Auswurfschüttdrehung und der Bohrung auf dem Leitblech für die Auswurfschütte an.



4. Befestigen Sie die Hebelsteuerknöpfe (N), indem Sie sie auf den Steuerhebeln (O) niederdrücken.



Betrieb

Bevor Sie das Produkt starten

- Sorgen Sie dafür, dass sich im Arbeitsbereich keine Unbefugten oder Tiere aufhalten.
- Warten Sie das Gerät täglich. Siehe *Wartungsplan auf Seite 42*.
- Stellen Sie sicher, dass das Zündkabel ordnungsgemäß mit der Zündkerze verbunden ist.
- Füllen Sie Öl oder Benzin nach, falls erforderlich. Siehe *Technische Daten auf Seite 52*.

So befüllen Sie den Motor mit Öl



ACHTUNG: Drehen Sie auf keinen Fall den Ölmesstab, wenn Sie den Ölstand prüfen. Nicht über die Füllstandsanzeige hinaus befüllen.

1. Öleinfülldeckel abnehmen und den Messstab abwischen. Siehe Information zur Position *Geräteübersicht auf Seite 28* des Messstabs.
2. Füllen Sie Öl bis zur oberen Markierung am Messstab nach. Verwenden Sie den Messstab, um den Ölstand in regelmäßigen Abständen zu prüfen.
3. Setzen Sie den Öleinfülldeckel wieder an Ort und Stelle auf.

So füllen Sie Kraftstoff ein

Falls vorhanden, verwenden Sie schadstoffarmes Benzin/Alkylatbenzin. Wenn schadstoffarmes Benzin/Alkylatbenzin nicht verfügbar ist, verwenden Sie ein qualitativ hochwertiges bleifreies Benzin oder verbleites Benzin. Verwenden Sie außerhalb Nordamerikas Benzin mit einer Oktanzahl von mindestens 90 ROZ (87 AKI in Nordamerika) und mit einem Ethanolgehalt von maximal 10 % (E10).



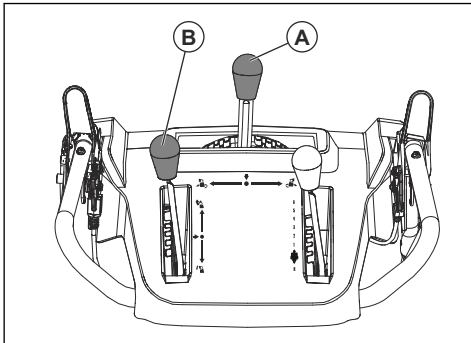
ACHTUNG: Verwenden Sie außerhalb Nordamerikas kein Benzin mit einer Oktanzahl von weniger als 90 ROZ (87 AKI in Nordamerika). Dies kann das Gerät beschädigen.

1. Öffnen Sie den Tankdeckel langsam, damit der Druck entweichen kann.
2. Füllen Sie langsam mit einem Kraftstoffkanister auf. Wenn Sie Kraftstoff verschütten, entfernen Sie ihn mit einem Tuch und lassen Sie den verbleibenden Treibstoff trocknen.
3. Säubern Sie den Bereich um den Tankdeckel herum.

- Schrauben Sie den Kraftstofftankdeckel fest zu. Wenn der Tankverschluss nicht fest zugeschraubt ist, besteht Feuergefahr.
- Bewegen Sie das Produkt vor dem Starten mindestens 3 m von der Stelle fort, an der Sie den Tank befüllt hatten.

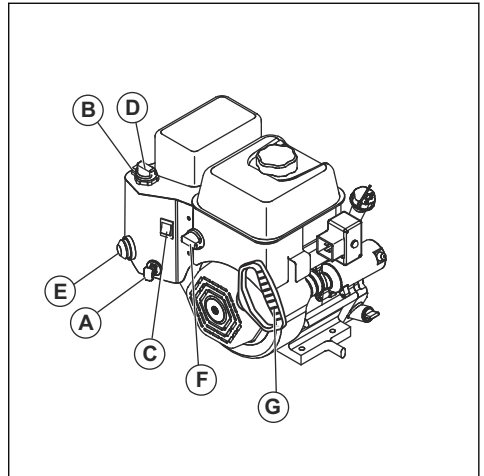
So stellen Sie die Auswurfschütte und das Leitblech für die Auswurfschütte ein

- Zum Einstellen Position der Auswurfschütte bewegen Sie den Betätigungshebel (A) für den Auswurfchacht nach hinten und nach links oder rechts.
- Zum Einstellen der Auswurfweite für den Schnee am Leitblech für die Auswurfschütte bewegen Sie den Prallblech-Fernsteuerhebel (B) nach unten, um die Auswurfweite zu verringern, und nach oben, um die Auswurfweite zu vergrößern.



So lassen Sie den Motor an, Manuelles Anlassen des Motors

- Führen Sie den ON/OFF-Schlüssel (A) in das Zündschloss ein, bis er hörbar einrastet. Drehen Sie den Schlüssel nicht.



- Drehen Sie den ON/OFF-Schalter (F) für die Kraftstoffzufuhr in die Position ON.
- Stellen Sie den Gashebel (B) in die Position FAST für schnelles Fahren.
- Stellen Sie den ON/OFF-Schalter (C) in die Position ON (falls vorhanden).
 - Wenn der Motor kalt ist, drehen Sie den Choke (D) in die Position FULL und drücken die Primerpumpe (E) drei Mal.



ACHTUNG: Betätigen Sie die Primerpumpe nicht zu oft. Dies kann dazu führen, dass der Motor nicht startet. Falls die Primerpumpe zu oft betätigt wurde, warten Sie einige Minuten, bevor Sie versuchen, den Motor erneut zu starten, und drücken Sie während der Wartezeit die Primerpumpe nicht.

- Ziehen Sie den Startseilhandgriff (G).



ACHTUNG: Lassen Sie den Griff nicht schnell los. Schieben Sie ihn zurück in die Stellung „slowly“ (Start langsam).

Hinweis: Wenn das Startseil eingefroren ist, ziehen Sie langsam so viel Seil wie möglich aus dem Anlasser, und lassen Sie den Startseilhandgriff wieder los. Wenn der Motor nicht startet, wiederholen Sie den Vorgang oder verwenden elektrischen Anlasser.

6. Wenn zum Anlassen des Motors der Choke verwendet wurde, schieben Sie den Chocke (D) langsam in die Position OFF.
7. Lassen Sie den Motor 2 bis 3 Minuten im Leerlauf laufen, bevor Sie mit dem Schneeräumen beginnen.
8. Wenn der Motor nicht wie gewünscht läuft, schalten Sie ihn aus.

So lassen Sie den Motor an, Elektrisches Anlassen des Motors



WARNUNG: Das Gerät besitzt einen 230 V elektrischen Anlasser, der mit Wechselstrom gespeist wird. Verwenden Sie den elektrischen Anlasser nicht, wenn Ihr Haus nicht über eine 230 V Wechselspannungs-Schutzkontaktterdung abgesichert ist. Schwere Verletzungen könnten die Folge sein, oder es könnten Schäden am Gerät auftreten. Der elektrische Anlasser verfügt über einen Schutzkontaktstecker und ist für die Verwendung mit 230 V Haushaltsstrom (Wechselstrom) vorgesehen. Stellen Sie sicher, dass Ihr Haus über eine 230 V Wechselspannungs-Schutzkontaktterdung abgesichert ist. Wenn Sie nicht sicher sind, fragen Sie eine Elektrofachkraft.

1. Führen Sie den ON/OFF-Schlüssel (A) in das Zündschloss ein, bis er hörbar einrastet. Drehen Sie den Schlüssel nicht.
2. Drehen Sie den ON/OFF-Schalter (F) für die Kraftstoffzufuhr in die Position ON.
3. Stellen Sie den Gashebel (B) in die Position FAST für schnelles Fahren.
4. Stellen Sie den ON/OFF-Schalter (C) in die Position ON (falls vorhanden).
 - a) Wenn der Motor kalt ist, drehen Sie den Choke (D) in die Position FULL.
5. Drücken Sie die Primerpumpe (E) drei Mal.



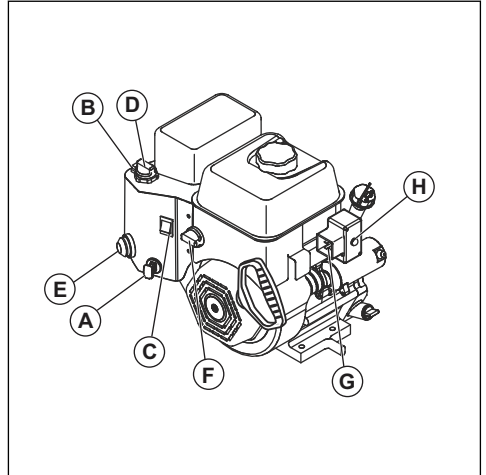
ACHTUNG: Betätigen Sie die Primerpumpe nicht zu oft. Dies kann dazu führen, dass der Motor nicht startet. Falls die Primerpumpe zu oft betätigt wurde, warten Sie einige Minuten, bevor Sie versuchen, den Motor erneut zu starten, und drücken Sie während der Wartezeit die Primerpumpe nicht.

6. Schließen Sie das Verlängerungskabel an den auf dem Motor befindlichen Anschluss (G) an.
7. Stecken Sie das andere Endes des Verlängerungskabels in eine 230 V Wechselstrom-Schutzkontaktsteckdose ein.
8. Drücken Sie die Taste für den Elektrostart (H) solange nieder, bis der Motor anspringt.



ACHTUNG: Versuchen Sie nicht, den Motor mehr als fünf Sekunden lang ununterbrochen zwischen jedem Startversuch anzulassen. Warten Sie zwischen jedem Versuch 5 bis 10 Sekunden.

9. Wenn zum Anlassen des Motors der Choke verwendet wurde, lassen Sie die Taste für den Elektrostart los und schieben den Chocke (D) langsam in die Position OFF.



10. Trennen Sie das Verlängerungskabel erst von der Steckdose und dann vom Motor.
11. Lassen Sie den Motor 2 bis 3 Minuten im Leerlauf laufen, bevor Sie mit dem Schneeräumen beginnen.

So bedienen Sie das Gerät



ACHTUNG: Nehmen Sie das Gerät nicht ohne Schnee oder Wasser in Betrieb, da sonst eine Schmierung der Schneckenflügel nicht gewährleistet ist. Eine falsche Verwendung kann zu hohen Temperaturen an den Schneckenflügeln führen, insbesondere bei Neugeräten. Dies kann zu Schäden an der Förderschnecke und an der Schürflleiste führen.



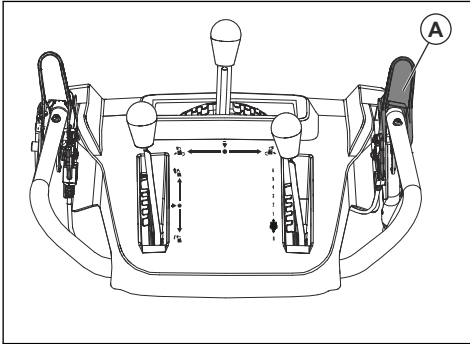
ACHTUNG: Lassen Sie auf keinen Fall die Antriebs- oder Schneckenhebel über einen längeren Zeitraum aktiviert. Dies kann zu vorzeitigem Verschleiß oder einem Verbrennen der Antriebsriemen führen.

Hinweis: Wenn sowohl die Antriebsaktivierung als auch die Schneckenaktivierung eingeschaltet sind, verriegelt die Antriebskupplung die Schneckenkupplung in ihrer

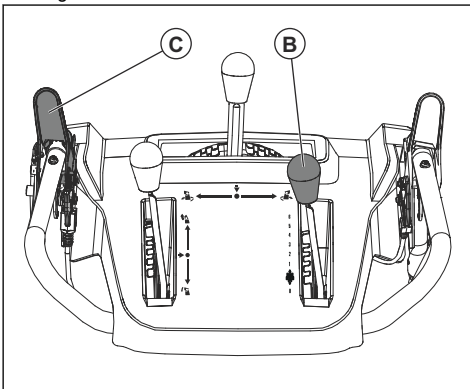
Position. Mit der rechten Hand lässt sich der Auswurfsammler für den Schneeeuwurf steuern.

Hinweis: Ändern Sie die Drehzahl nicht, wenn der Steuerhebel aktiviert ist. Dies kann zu Schäden am Getriebe führen.

1. Zum Aktivieren der Schneckenflügel drücken Sie die Schneckenkupplung (A) in Richtung Griff, um die Schnecke zu aktivieren und Schnee zu räumen.

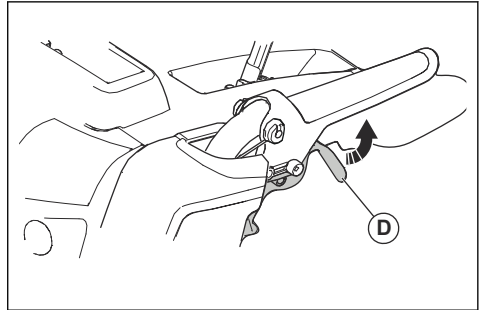


2. Stellen Sie den Steuerhebel für die Antriebsdrehzahl (B) von der Mittelstellung nach oben, damit das Gerät vorwärts fährt, wenn die Antriebsaktivierung (C) eingeschaltet ist. Ändern Sie die Drehzahl nicht, wenn der Steuerhebel aktiviert ist. Dies kann zu Schäden am Getriebe führen.
3. Stellen Sie den Steuerhebel für die Antriebsdrehzahl von der Mittelstellung nach unten, damit das Gerät rückwärts fährt, wenn die Antriebsaktivierung eingeschaltet ist.



4. Damit das Gerät in die gewählte Richtung fährt, müssen Sie die Antriebsaktivierung (C) gegen den Griff gedrückt halten.

5. Wenn das Gerät mit einer Servolenkung ausgestattet ist, halten Sie den linken Lenkhebel (D) gedrückt, um nach links zu fahren. Halten Sie den rechten Lenkhebel gedrückt, um nach rechts zu fahren.

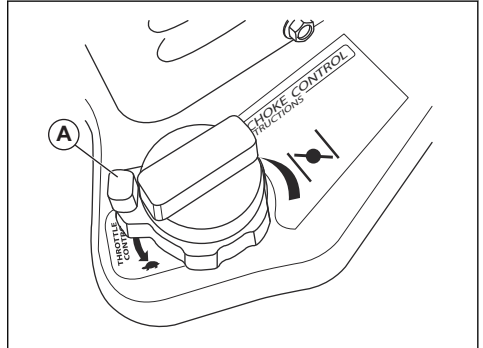


So stoppen Sie das Gerät

1. Bewegen Sie den ON/OFF-Schalter in die Position OFF.
2. Ziehen Sie den ON/OFF-Schlüssel ab.

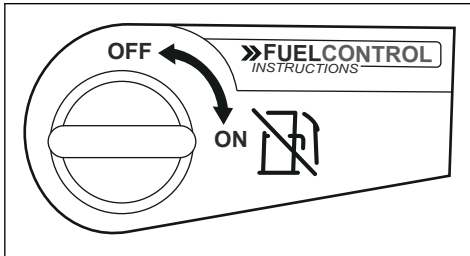
So verwenden Sie den Gashebel

- Drehen Sie am Gashebel (A), um so Sie die Höhe des Kraftstoffverbrauchs zu ändern. Lassen Sie den Motor stets mit Vollgas laufen.



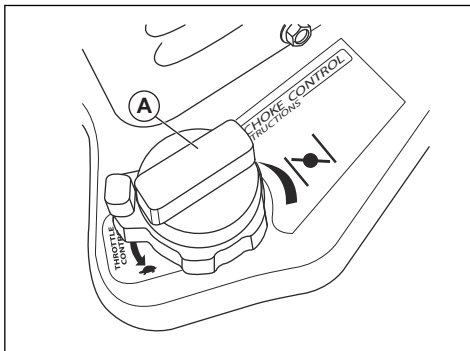
So verwenden Sie den Kraftstoffschalter

- Drehen Sie den Kraftstoffschalter, um das Kraftstoffventil zu öffnen oder zu schließen. Betreiben Sie das Gerät mit dem Kraftstoffschalter in der geöffneten Stellung.



So verwenden Sie den Choke-Hebel

- Drehen Sie den Choke (A), um die Drosselluftklappe zu öffnen oder zu schließen. Nutzen Sie zum Starten eines kalten Motors den Choke.

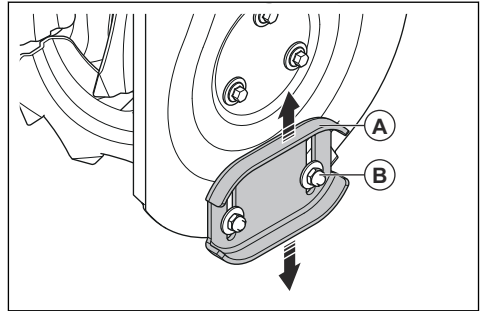


So stellen Sie die Gleitplatten ein

Für die normale Installation ist kein Einstellen erforderlich.

- Wenn die Sicherungsmutter (B) locker ist oder die Gleitplatte (A) nicht weit genug vom Boden entfernt ist, lösen Sie die Sicherungsmutter (B) mit einem 13-mm-Gabelschlüssel, um die Gleitplatte nach oben oder unten zu verschieben.
- Auf ebenen Flächen, wie etwa auf asphaltierten Straßen, heben Sie die Gleitplatten (A) 5-6 mm (0,2-0,25 in) vom Boden an. Vergrößern Sie auf unebenen Flächen, wie etwa auf bekiesten Straßen, den Abstand zwischen Boden und Gerät. Bringen Sie die Schürfleiste mithilfe der Gleitplatten bis oberhalb der Oberkante der Kiesschicht. Stellen Sie sicher, dass Kies und Steine nicht in das Gerät gelangen können. Es kann zu Verletzungen kommen, wenn Gegenstände mit hoher Geschwindigkeit ausgeworfen werden.

- Ziehen Sie die Sicherungsmutter an.



So schützen Sie das Gerät nach Gebrauch vor dem Einfrieren

Hinweis: Bedienelemente und bewegliche Teile können durch Eis blockiert sein. Wenden Sie nicht viel Kraft auf die Bedienelemente an. Wenn Sie eine Steuerung oder ein Bauteil nicht bedienen können, starten Sie den Motor und lassen ihn einige Minuten laufen.

- Starten Sie den Motor, und lassen Sie ihn einige Minuten im Leerlauf laufen. Stoppen Sie den Motor, und warten Sie, bis alle beweglichen Teile zum Stillstand gekommen sind.
- Entfernen Sie Schnee und loses Eis vom Gerät.
- Entfernen Sie Schnee und loses Eis im unteren Bereich des Auswurfsammlers.
- Drehen Sie das Prallblech des Auswurfsammlers nach links und rechts, um Eis und Wasser zu entfernen.
- Ziehen Sie den Schlüssel ab, oder schalten Sie den Schalter in die Position OFF (falls vorhanden).
- Wenn das Gerät nicht über einen elektrischen Anlasser verfügt, ziehen Sie den Startseilhandgriff mehrere Male, um Eis und Wasser zu entfernen.
- Wenn das Gerät über einen elektrischen Anlasser verfügt, schließen Sie das Gerät an die Stromversorgung an und drücken die Taste für den Elektrostart einmal, um Eis und Wasser zu entfernen.

So erhalten Sie ein gutes Arbeitsergebnis

- Lassen Sie den Motor stets mit Vollgas oder fast mit Vollgas laufen.
- Passen Sie die Drehzahl des Geräts immer den Schneeverhältnissen und regeln Sie die Drehzahl mit dem Drehzahlregelungshebel. Stellen Sie sicher, dass das Gerät den Schnee gleichmäßig auswirft.
- Es ist einfacher und effizienter, den Schnee sofort zu räumen, nachdem er gefallen ist.
- Achten Sie darauf, dass der Schnee vom Gerät möglichst in Windrichtung ausgeworfen wird.

- Auf ebenen Flächen, wie etwa auf asphaltierten Straßen, heben Sie die Gleitplatten bis auf 5-6 mm (0,2-0,25 in) vom Boden an.
- Die Schürfleiste ist umdrehbar. Wenn sie bis fast an die Gehäusekante verschlissen ist, drehen Sie sie um. Ersetzen Sie die Schürfleiste, falls diese beschädigt ist oder wenn beide Seiten verschlissen sind.

- Nehmen Sie das Leitblech für die Auswurfschütte nicht ab, wenn es verstopft ist.
- Wenn das Gerät aus unvorhersehbaren Gründen nicht vorwärts fährt, lassen Sie die Antriebsaktivierung sofort los oder bringen Sie den EIN- /AUS-Schlüssel in Stellung OFF.

Wartung

Einleitung

Wenn das Gerät im Einsatz ist, können sich Schrauben lösen und Baugruppen können verschleißen. Dies kann zu Störungen, wie z. B. zu einem falschen

Passungsspiel, einem erhöhten Ölverbrauch oder zu einer falschen Ausrichtung der verschiedenen Baugruppen führen. Führen Sie regelmäßig Wartungsarbeiten am Gerät durch, um Störungen zu vermeiden.

Wartungsplan

Wartung	Täglich	20 Stunden	50 Stunden	100 Stunden
Überprüfen Sie, dass alle Muttern und Schrauben angezogen sind	X			
Kontrollieren Sie den Motorölstand	X			
Führen Sie einen Ölwechsel durch ⁶		X	X	X
Stellen Sie sicher, dass keine Kraftstoff- oder Ölleckagen vorhanden sind	X			
Entfernen Sie Verstopfungen und Fremdkörper aus der Schnecke	X			
Prüfen Sie den Reifendruck ⁷			X	
Prüfen und wechseln Sie die Zündkerze ⁸				X

Hinweis: Es ist nicht erforderlich, Schmierfett auf das Getriebe aufzufüllen oder sonstige Wartungsarbeiten am Getriebe durchzuführen.

So prüfen Sie den Ölstand



ACHTUNG: Ein zu niedriger Ölstand kann den Motor beschädigen. Prüfen Sie den Ölstand, bevor Sie das Produkt starten.

1. Stellen Sie das Produkt auf einer ebenen Fläche ab.
2. Entfernen Sie den Öltankverschluss mit dem beigefügten Messstab.

So führen Sie eine allgemeine Inspektion durch

- Stellen Sie sicher, dass die Muttern und Schrauben am Produkt nicht beschädigt sind.

⁶ Wechseln Sie das (nach den ersten 20, 50 und 100 Betriebsstunden, danach alle 100 Stunden).

⁷ Angaben zum richtigen Reifendruck finden Sie in den Technischen Daten.

⁸ Prüfen und reinigen Sie die Zündkerze jährlich vor Inbetriebnahme.

3. Reinigen Sie den Messstab von Öl.
4. Tauchen Sie den Messstab vollständig in den Ölbehälter ein, um ein korrektes Bild über den Ölstand zu erhalten.
5. Entfernen Sie den Messstab.
6. Prüfen Sie den Ölstand am Messstab.
7. Wenn der Ölstand zu niedrig ist, füllen Sie Motoröl ein, und kontrollieren Sie den Ölstand erneut.

So wechseln Sie das Motoröl

1. Lassen Sie den Motor ein paar Minuten laufen, damit sich das Öl erwärmt. Warmes Öl fließt besser ab und nimmt mehr Verunreinigungen auf.

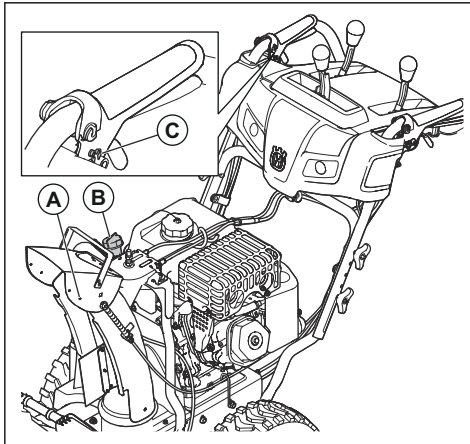


WARNUNG: Das Motoröl ist heiß. Vermeiden Sie Hautkontakt mit gebrauchtem Motoröl.

2. Stellen Sie das Produkt auf einer ebenen Fläche ab.
3. Ziehen Sie den EIN-/AUS-Schlüssel ab.
4. Stellen Sie einen Behälter unter den Ölablasshahn.
5. Entfernen Sie den Ölablasshahn, kippen Sie das Gerät an und lassen Sie das Altöl in einen Behälter fließen.
6. Bringen Sie das Gerät wieder in die Betriebsposition.
7. Bringen Sie den Ölablasshahn an und ziehen Sie ihn mit der Hand an.
8. Füllen Sie Öl auf den Motor auf, siehe dazu *So befüllen Sie den Motor mit Öl auf Seite 37.*

So schmieren Sie das Gerät

- Schmieren Sie die Drehpunkte (A) mit Öl.
- Schmieren Sie den Motor (B) mit Öl.
- Tragen Sie zu Beginn jeder Saison oder alle 25 Betriebsstunden etwas Lithiumfett auf die Verriegelungsnahten (C) auf.



Schalldämpfer

Der Schalldämpfer senkt den Geräuschpegel so weit wie möglich und hält die Abgase des Motors vom Anwender fern.

Verwenden Sie das Gerät nicht, wenn der Schalldämpfer fehlt oder defekt ist. Ein defekter Schalldämpfer erhöht den Geräuschpegel und die Brandgefahr.

Überprüfen Sie den Schalldämpfer regelmäßig, um sicherzustellen, dass er richtig angebracht und nicht beschädigt ist.



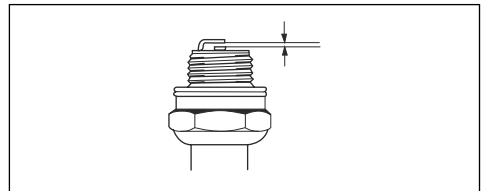
ACHTUNG: Der Schalldämpfer wird während und nach Gebrauch und wenn der Motor im Leerlauf läuft, sehr heiß. Seien Sie in der Nähe von entzündlichen Materialien und/oder Dämpfen besonders vorsichtig, um Brandgefahr zu verhindern.

So überprüfen Sie die Zündkerze



ACHTUNG: Verwenden Sie stets den vom Hersteller empfohlenen Zündkerzentyp! Die Verwendung eines falschen Zündkerzentyps kann zu Schäden am Gerät führen.

- Überprüfen Sie die Zündkerze, wenn der Motor nur schwache Leistung bringt, sich nur schwer starten lässt oder im Leerlauf nicht ordnungsgemäß funktioniert.
- Wenn Sie diese Anweisungen befolgen, verringern Sie die Gefahr von unerwünschtem Material an den Elektroden der Zündkerze:
 - a) Stellen Sie sicher, dass die Leerlaufdrehzahl richtig eingestellt ist.
 - b) Vergewissern Sie sich, dass das Kraftstoffgemisch korrekt ist.
 - c) Vergewissern Sie sich, dass der Luftfilter sauber ist.
- Ist die Zündkerze verschmutzt, so ist sie zu reinigen; gleichzeitig ist zu prüfen, ob der Elektrodenabstand korrekt ist, siehe *Technische Daten auf Seite 52.*



- Tauschen Sie die Zündkerze bei Bedarf aus.

So kontrollieren Sie Schnecken und Schürfleiste

1. Führen Sie vor jedem Gebrauch eine Verschleißkontrolle der Schnecken und der Schürfleiste durch.

2. Wenn die Kante der Schürfleiste verschlissen ist, drehen Sie die Schürfleiste um. Wenn die Schürfleiste Beschädigungen aufweist oder an beiden Kanten verschlissen, ersetzen Sie sie.
3. Wenn die Kanten der Schnecken verschlissen sind, wenden Sie sich an ein autorisiertes Service Center, damit die Schnecken ersetzt werden.

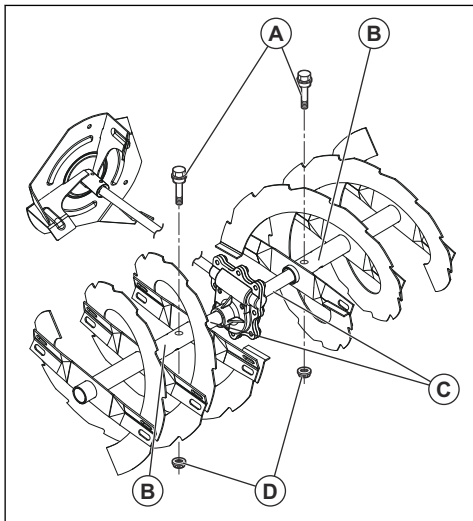
So ersetzen Sie die Schnecken-Scherbolzen

Die Schnecken-Scherbolzen schützen das Produkt vor Beschädigungen. Die Schnecken-Scherbolzen brechen, wenn ein Objekt in die beweglichen Teile gelangt.



ACHTUNG: Verwenden Sie ausschließlich die Original-Scherbolzen, die mit dem Produkt geliefert werden.

1. Wenn ein Schnecken-Scherbolzen bricht, stellen Sie den Motor ab und warten Sie, bis die beweglichen Teile stillstehen.
2. Ziehen Sie den EIN-/AUS-Schlüssel ab und trennen Sie das Zündkerzenkabel.
3. Richten Sie die Bohrung in der Schneckennabe (B) an der Bohrung der Schneckenwelle (C) aus und installieren Sie einen neuen Scherbolzen ($\frac{1}{4} - 20 \times 2$) (A).
4. Installieren Sie eine Sicherungsmutter ($\frac{1}{4}-20$) (D) und ziehen Sie sie an.



5. Stecken Sie den EIN-/AUS-Schlüssel in die Zündung und schließen Sie das Zündkerzenkabel an der Zündkerze an.

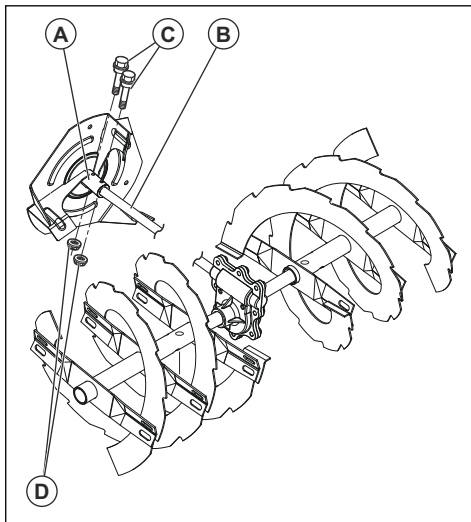
So ersetzen Sie die Lüfterrad-Scherbolzen

Die Lüfterrad-Scherbolzen schützen das Produkt vor Beschädigungen. Die Lüfterrad-Scherbolzen brechen, wenn ein Objekt in die beweglichen Teile gelangt.



ACHTUNG: Verwenden Sie ausschließlich die Original-Scherbolzen, die mit dem Produkt geliefert werden.

1. Wenn ein Lüfterrad-Scherbolzen bricht, stellen Sie den Motor ab und warten Sie, bis die beweglichen Teile stillstehen.
2. Ziehen Sie den EIN-/AUS-Schlüssel ab und trennen Sie das Zündkerzenkabel.
3. Richten Sie die Bohrung in der Lüfterradnabe (A) an den Bohrungen der Lüfterradwelle (B) aus und installieren Sie einen neuen Scherbolzen ($\frac{1}{4}-20$) (C).
4. Installieren Sie eine Sicherungsmutter ($\frac{1}{4}-20$) (D) am Scherbolzen und ziehen Sie sie an.



5. Stecken Sie den EIN-/AUS-Schlüssel in die Zündung und schließen Sie das Zündkerzenkabel an der Zündkerze an.

So prüfen Sie die Bereifung

- Vermeiden Sie, dass die Reifen mit Kraftstoff, Öl und Chemikalien in Berührung kommen, damit der Gummi keinen Schaden nimmt.
- Vermeiden Sie den Kontakt der Reifen mit Baumstümpfen, Steinen, Spurrillen, scharfen Gegenständen oder anderen Gegenständen, die zu Schäden an den Reifen führen können.
- Verwenden Sie immer den richtigen Reifendruck, siehe *Technische Daten auf Seite 52*.

So beseitigen Sie eine Verstopfung am Leitblech für die Auswurfschütte

Beseitigen Sie niemals eine Verstopfung am Leitblech für die Auswurfschütte, bevor die nachfolgend genannten Arbeiten vorgenommen wurden.

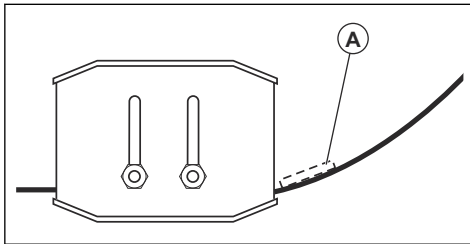
1. Lösen Sie Schneckenaktivierung und Antriebsaktivierung gleichzeitig.
2. Warten Sie 10 Sekunden um sicherzugehen, dass die Schnecken zum Stillstand gekommen sind.
3. Halten Sie das Gerät an.
4. Verwenden Sie das Reinigungswerkzeug (mindestens 15 Zoll lang, bei einigen Modellen im Lieferumfang enthalten) zum Beseitigen der Verstopfung.



WARNUNG: Achten Sie darauf, dass Ihre Hände nicht in das Innere des Leitblechs für die Auswurfschütte oder in das Schneckengehäuse gelangen.

So wechseln Sie die Schürfleiste

1. Bringen Sie die Schürfleiste (A) in umgekehrter Position an, wenn sie bis an die Gehäusekante verschlissen ist.



2. Ersetzen Sie die Schürfleiste, wenn sie auf beiden Seiten verschlissen ist oder wenn sie beschädigt ist.

Treibriemen



WARNUNG: Die Keilriemen an Ihrem Gerät sind eine Spezialausführung und müssen durch Keilriemen vom Originalhersteller (OEM) ersetzt werden, die im Service Center in Ihrer Nähe erhältlich sind. Die Verwendung anderer als der Keilriemen vom Originalhersteller kann zu Verletzungen führen oder Schäden am Gerät verursachen.



WARNUNG: Um den Riemen ersetzen zu können, muss das Gerät zerlegt werden. Beim Trennen des Schneckengehäuses vom Rahmen ist es wichtig, dass eine zweite Person in der Betriebsposition steht und die Gerätegriffe festhält. Wenn das Gerät während des Ersetzungsvorgangs umstürzt, können sich Personen schwer verletzen

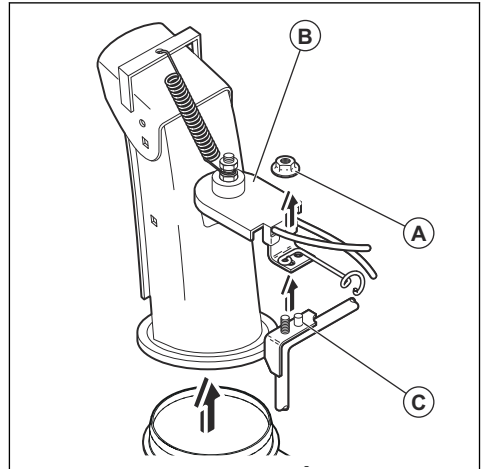
und/oder es können Schäden am Gerät auftreten.

Hinweis: Die Schnecke und die Fahrtriebsriemen sind nicht einstellbar. Ersetzen Sie die Riemen, wenn diese beschädigt sind oder aufgrund von Verschleiß zu rutschen beginnen. Es wird empfohlen, die Riemen durch ein qualifiziertes Service Center ersetzen zu lassen.

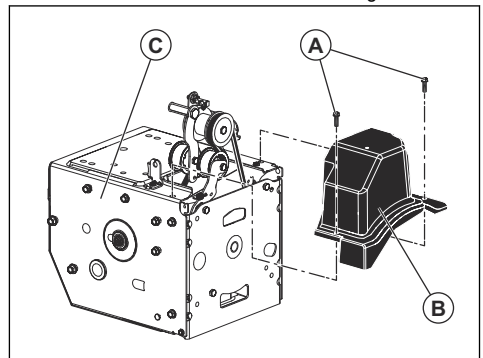
Hinweis: Es wird empfohlen, den Treibriemen und den Schneckenriemen gleichzeitig zu ersetzen.

So bereiten Sie den Austausch der Riemen vor

1. Leeren Sie den Kraftstofftank.
2. Lösen Sie die Sicherungsmutter (A) zur Befestigung des Kopfes der Auswurfschüttdrehung (B) an der Halterung (C), um die Auswurfschütte zu entfernen.

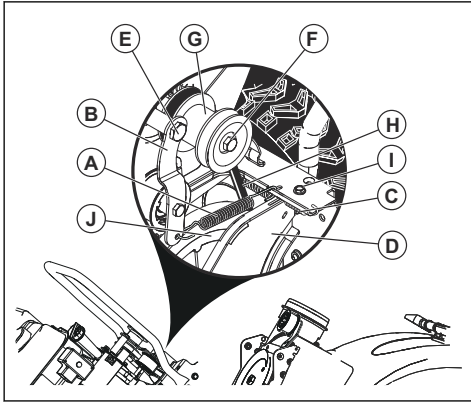


3. Lösen Sie die beiden Schrauben (A), mit denen die Riemenabdeckung (B) am Rahmen (C) befestigt ist, und entfernen Sie die Riemenabdeckung.



So entfernen Sie den Treibriemen

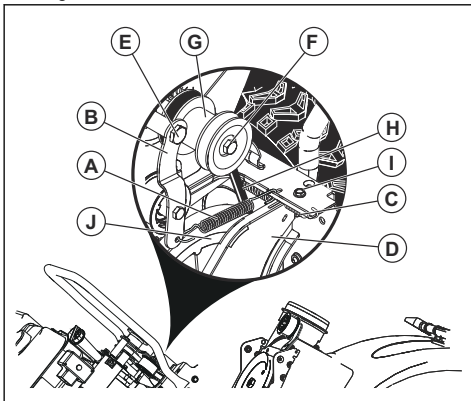
1. Entfernen Sie den Schneckenriemen. Siehe *So bauen Sie den Schneckenriemen aus auf Seite 47*.
2. Entfernen Sie die Riemenspannfeder (A), die sich am Arm (B) des Treibriemenspanners befindet.



3. Entfernen Sie die Rückholfeder (C), die die Schwenkplatte (D) in ihrer Einbaulage hält.
4. Entfernen Sie die Schraube (E) des Arms für den Treibriemenspanner.
5. Entfernen Sie die Schraube (F) der Riemenscheibe, die Riemenscheibe (G) des Motors und den Treibriemen (H) vom Motor.
6. Entfernen Sie die obere Schraube (I), mit der die Schwenkplatte am Rahmen befestigt ist.
7. Schwenken Sie die Schwenkplatte vom Gerät weg, halten Sie sie in dieser Position und nehmen Sie den Treibriemen von der Treibriemenscheibe (J) ab.

So installieren Sie den Treibriemen

1. Schwenken Sie die Schwenkplatte (D) vom Gerät weg, halten Sie sie in dieser Position.



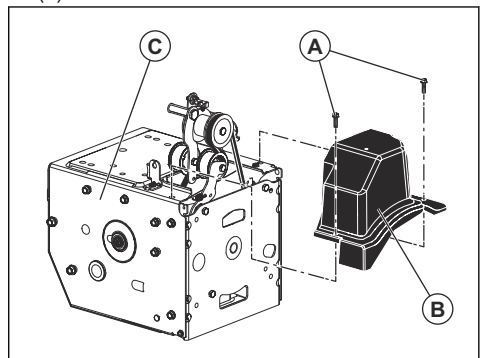
2. Setzen Sie den Treibriemen (H) auf die Riemenscheibe (J) auf.

Hinweis: Stellen Sie vor dem Absenken der Schwenkplatte sicher, dass der Treibriemen richtig in der Nut der Riemenscheibe sitzt.

3. Montieren Sie die obere Schraube (I) und ziehen Sie diese fest an.
4. Setzen Sie den Treibriemen in die Nut der Motorriemenscheibe (G), bevor Sie diese auf die auf der Motorwelle montieren.
5. Installieren Sie die Schraube (F) der Riemenscheibe und bringen Sie die Motorriemenscheibe auf dem Motor an. Ziehen Sie die Schraube der Riemenscheibe an (30 bis 35 Ft.Lbs (41-47 Nm)).
6. Installieren Sie den Arm (B) für den Treibriemenspanner und ziehen Sie die Schraube (E) für den Arm auf dem Motor fest an.
7. Installieren Sie die auf der Schwenkplatte befindliche Rückholfeder (C).
8. Montieren Sie die auf dem Arm des Riemenspanners befindliche Spannfeder (A).
9. Betätigen Sie alle Bedienelemente, um sicherzustellen, dass der Treibriemen ordnungsgemäß installiert ist und dass der Bewegungsablauf aller Baugruppen ordnungsgemäß funktioniert.

So installieren Sie die Riemenabdeckung

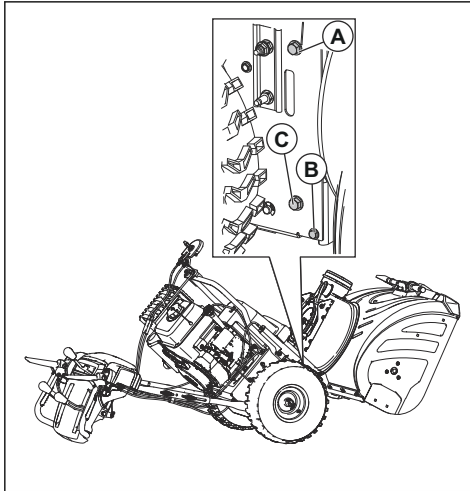
1. Installieren Sie die Riemenabdeckung (B) auf dem Rahmen (C) und ziehen Sie die beiden Schrauben (A) an.



2. Bringen Sie die Auswurfschütte an.

So bauen Sie den Schneckenriemen aus

- Entfernen Sie die 5/16"-Schrauben (A) und die unteren 1/4"-Schrauben (B) von den 2 Seiten der Rahmenbaugruppe. Bewahren Sie die Schrauben auf.



- Lösen Sie die unteren 5/16"-Schrauben (C) an den 2 Seiten der Rahmenbaugruppe, aber entfernen Sie diese nicht.
- Entfernen Sie den Schneckenriemen von der Riemenscheibe.
- Neigen Sie den hinteren Teil nach unten. Der vordere Teil wird gleichzeitig nach vorn geneigt. Die untere Schraube (C) dient als Scharnier zwischen dem vorderen und hinteren Teil.
- Legen Sie einen Holzkeil unter den Drehpunkt, um das Gerät in der geneigten Position aufzustellen.
- Bewegen Sie den Spannarm des Schneckenriemens und entfernen Sie den Schneckenriemen vom Arm.

So installieren Sie den Schneckenriemen

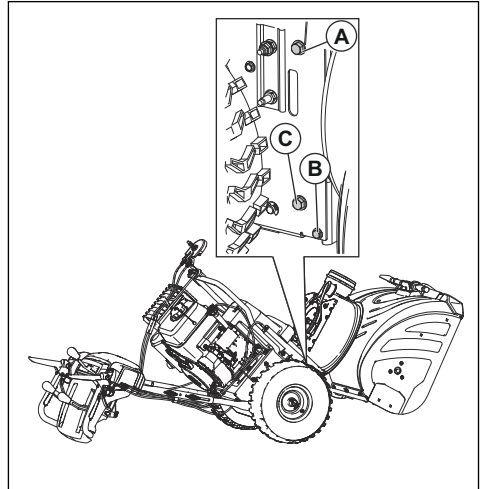
- Bewegen Sie den Riemenspannarm und bringen Sie den Schneckenriemen um und in der Nut der Schneekenscheibe an.



ACHTUNG: Stellen Sie sicher, dass der Riemen beim Zusammenbauen der Teile nicht zwischen dem Rahmen und dem Schneckengehäuse eingeklemmt wird.

- Entfernen Sie den Holzblock.
- Heben Sie den Griff an, um den hinteren Teil nach oben zu neigen. Der vordere Teil klappt nach hinten und dreht sich, damit der hintere Teil befestigt wird.
- Stellen Sie sicher, dass sich der Riemen ordnungsgemäß in der Nut der Riemenscheibe befindet.

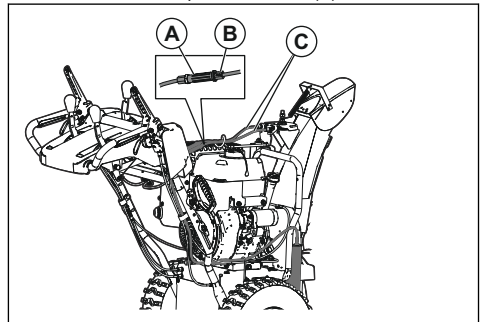
- Installieren Sie die 5/16"-Schrauben (A), (C) und ziehen Sie sie an (11–16 Nm).



- Installieren Sie die 1/4"-Schrauben (B) und ziehen Sie sie an (5–8 Nm).
- Installieren Sie den Schneckenriemen an der Riemenscheibe. Stellen Sie sicher, dass der Riemen ordnungsgemäß um die Riemenscheibe angebracht ist und korrekt in der Nut der Motorriemenscheibe sitzt.
- Betätigen Sie alle Bedienelemente, um sicherzustellen, dass der Schneckenriemen richtig installiert wurde und sich alle Komponenten ordnungsgemäß bewegen.

So stellen Sie die Spannung des Kabels für das Leitblech für die Auswurfschütte ein

- Lösen Sie die Gegenmuttern (B) zum Einstellen der Spannung des Kabels für die Auswurfschütte, die sich neben dem Spannerschloss (A) befindet.



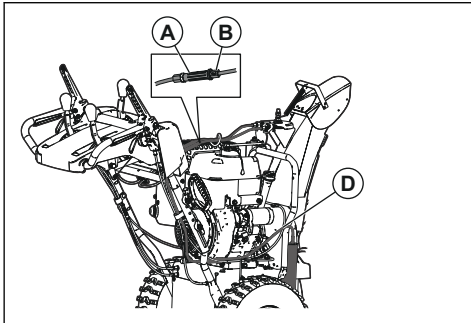
- Halten Sie das kürzere Stück fest und drehen Sie das lange Stück, um die Spannkraft am Spanner zu erhöhen.

3. Nehmen Sie die Einstellung solange vor, bis das für das Leitblech der Auswurfschütte (C) passgenau sitzt. Ziehen Sie die Gegenmutter an.

So stellen Sie das Steuerkabel der Schnecke ein

Hinweis: Wenn Sie diese Anpassung nicht selbst vornehmen wollen, wenden Sie sich an eine autorisierte Kundendienststelle. Wenn die Drehung des Lüfterrads oder der Schnecke bei Betätigung des Schneckensteuerhebels schwergängig ist oder der Keilriemen der Schnecke ersetzt wurde, können Anpassungen notwendig sein.

1. Lösen Sie die Gegenmutter (B) neben dem Drehverschluss (A), um die Spannung des Schneckensteuerkabels (D) anzupassen.



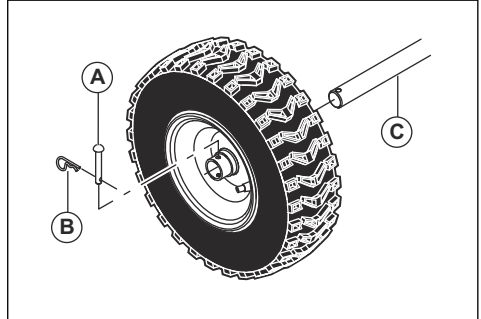
2. Halten Sie den kurzen Abschnitt fest und drehen Sie den langen Abschnitt. Drehen Sie ihn um 360 Grad.
3. Testen Sie die Betätigung der Schnecke. Wiederholen Sie die Anpassung, bis beim Ausrücken des Hebels nur noch wenig Spannung im Kabel vorhanden ist.
4. Ziehen Sie die untere Gegenmutter an, um die Spannung festzulegen.
5. Eine zweite Person sollte gegenüber der Schütte in einem Abstand von 3 Metern vor dem Produkt stehen. Diese Person beobachtet die Drehung der Schnecke und misst die Zeit, die vom Loslassen des Hebels bis zum Stillstand der Schnecke vergeht. Wenn die Schnecke nach 5 Sekunden zum Stillstand kommt, stellen Sie das Kabel durch eine vollständige Umdrehung des mittleren Zylinders so ein, dass der Spanner verkürzt wird. Betätigen Sie die Schnecke erneut und messen Sie die Zeit bis zum Stillstand noch einmal. Wenn die Schnecke in weniger als 5 Sekunden zum Stillstand kommt, fahren Sie mit dem nächsten Schritt fort.

6. Ziehen Sie die Gegenmutter am Schneckenkabel an.

Hinweis: Wenn der Einstellvorgang das Problem nicht beseitigt, ersetzen Sie den Keilriemen der Schnecke. Siehe *So bauen Sie den Schneckenriemen aus auf Seite 47*.

So entfernen Sie die Räder

1. Entfernen Sie den Radbolzen (A) und den Haltebolzen (B).
2. Entfernen Sie das Rad von der Achse (C).



So reinigen Sie das Gerät

- Kunststoffteile mit einem sauberen und trockenen Tuch reinigen.
- Reinigen Sie das Gerät nicht mit einem Hochdruckreiniger.
- Lassen Sie kein Wasser direkt auf den Motor gelangen.
- Verwenden Sie einen Pinsel, um Blätter, Gras und Schmutz zu entfernen.

Fehlerbehebung

Fehlerbehebung

Störung	Mögliche Ursache	Lösung
Das Gerät springt nicht an	Der Sicherheitszündschlüssel ist nicht eingesteckt.	Stecken Sie den Sicherheitszündschlüssel ein.
	Das Gerät erhält keinen Kraftstoff.	Füllen Sie frischen sauberen Kraftstoff in den Kraftstofftank.
	Der EIN-/AUS-Schlüssel befindet sich in Stellung OFF.	Bringen Sie den EIN-/AUS-Schlüssel in die Stellung ON.
	Der Choke befindet sich in Stellung OFF (CLOSE).	Bringen Sie den Choke in die Stellung ON (FULL, OPEN).
	Der Primer ist nicht gedrückt.	Drücken Sie den Primer.
	Der Motor hat zuviel Kraftstoff bekommen.	Warten Sie einige Minuten, bevor Sie neu starten. Drücken Sie die Primerpumpe nicht. Starten Sie den Motor neu und lassen Sie ihn bei Vollgas laufen. Der Choke muss sich dabei in Stellung OFF (CLOSE) befinden.
	Das Zündkerzenkabel ist nicht angeschlossen.	Verbinden Sie das Kabel mit der Zündkerze.
	Die Zündkerze ist defekt.	Tauschen Sie die Zündkerze aus.
	Es befindet sich Wasser im Kraftstoff oder der Kraftstoff ist zu alt.	Leeren Sie den Kraftstofftank und den Vergaser. Füllen Sie frischen sauberen Kraftstoff in den Kraftstofftank.
	In der Kraftstoffleitung befinden sich Dämpfe.	Stellen Sie sicher, dass die gesamte Kraftstoffleitung unterhalb des Kraftstofftankauslasses verläuft. Die Kraftstoffleitung muss vom Kraftstofftank zum Vergaser durchgehend in Abwärtsrichtung verlaufen.
	Sonstige Ursachen.	Prüfen Sie die Vorgehensweisen zum Anlassen, wie in diesem Handbuch beschrieben, sorgfältig.
	Der Kraftstoffschalter (je nach Ausstattung) befindet sich in Stellung CLOSE (OFF).	Bringen Sie den Kraftstoffschalter in die Stellung OPEN (ON).
Der Gashebel befindet sich in Stellung STOP.	Bringen Sie den Gashebel in die Stellung FAST.	

Störung	Mögliche Ursache	Lösung
Eingeschränkte Leistung	Das Zündkerzenkabel ist nicht angeschlossen.	Verbinden Sie das Kabel mit der Zündkerze.
	Das Gerät wirft zu viel Schnee aus.	Verringern Sie Drehzahl und Räumbreite.
	Der Kraftstofftankdeckel ist mit Eis oder Schnee bedeckt.	Entfernen Sie das Eis und den Schnee auf dem und um den Kraftstofftankdeckel herum.
	Der Schalldämpfer ist verschmutzt oder verstopft.	Reinigen oder wechseln Sie den Schalldämpfer.
	Falsche Kabellänge.	Stellen Sie das Kabel ein.
	Der Schalldämpfer ist verstopft.	Stellen Sie sicher, dass der Motor kalt ist. Beseitigen Sie die Verstopfung.
	Der Lufteinlass des Vergasers ist verstopft.	Stellen Sie sicher, dass der Motor kalt ist. Beseitigen Sie die Verstopfung.
Motor läuft im Leerlauf oder unregelmäßig (stottert).	Der Choke befindet sich in Stellung ON (FULL, OPEN).	Bringen Sie den Choke in die Stellung OFF (CLOSE).
	Die Kraftstoffleitung ist verstopft.	Reinigen Sie die Kraftstoffleitung.
	Es ist Wasser im Kraftstoff- oder der Kraftstoff ist zu alt.	Leeren Sie den Kraftstofftank und den Vergaser. Befüllen Sie den Tank mit frischem sauberen Kraftstoff.
	Der Vergaser muss ausgetauscht werden.	Wenden Sie sich an ein autorisiertes Service Center.
	Der Riemen hat sich gedehnt.	So ersetzen Sie den Keilriemen der Schnecke.
Starke Vibrationen / der Handgriff bewegt sich	Einige Teile sind lose. Die Schnecke ist beschädigt.	Alle Schrauben anziehen. Ersetzen Sie die beschädigten Teile. Wenn die Vibrationen weiterhin auftreten, wenden Sie sich an ein autorisiertes Service Center.
	Die Griffe wurden nicht richtig positioniert.	Stellen Sie sicher, dass die Griffe in der richtigen Position verriegelt sind.
	Die Muttern des Einstellhebels haben sich gelockert.	Ziehen Sie die Muttern an, bis Ihnen der Griff ein sicheres Griffgefühl gibt.
Der Startseilhandgriff lässt sich schwer ziehen	Der Startseilhandgriff ist eingefroren.	Ziehen Sie langsam soviel wie möglich Seil aus dem Anlasser und lassen Sie den Startseilhandgriff wieder los. Wenn der Motor nicht startet, wiederholen Sie den Vorgang oder nutzen Sie den elektrischen Anlasser.
	Das Startseil behindert sich gegenseitig mit anderen Bauteilen.	Das Startseil sollte nicht mit Kabeln oder Schläuchen in Verbindung kommen.

Störung	Mögliche Ursache	Lösung
Verlust des Fahrtriebs/ Verlangsamung der Antriebsgeschwindigkeit Es wird nicht mehr genügend Schnee ausgeworfen oder der Auswurf des Schnees ist verlangsamt	Der Riemen rutscht durch.	Justieren Sie das Kabel. Stellen Sie den Riemen ein.
	Der Riemen ist verschlissen.	Prüfen/ersetzen Sie den Riemen. Stellen Sie die Riemenscheibe ein.
	Der Riemen befindet sich nicht mehr auf der Riemenscheibe.	Prüfen Sie den Riemen und bauen Sie ihn wieder ein. Stellen Sie die Riemenscheibe ein.
	Das Leitblech für die Auswurfschütte ist verstopft.	Reinigen Sie das Leitblech für die Auswurfschütte.
	Fremdkörper verstopfen die Schnecken.	Entfernen Sie den Schmutz bzw. die Fremdkörper von den Schnecken.
	Der Scherbolzen ist gebrochen.	Ersetzen Sie den gebrochenen Scherbolzen.
	Zu viel Schnee und Eis zwischen den Raupenkomponenten.	Bitte entfernen Sie den Schnee und das Eis zwischen den Raupenkomponenten.
	Das Reibungsantriebsrad ist verschlissen.	Wenden Sie sich an ein autorisiertes Service Center.
Die Reibscheibe ist nass	Lassen Sie die Reibscheibe trocknen	
Die Schnecke dreht sich nach Loslassen des Griffs nicht	Der Treibriemen ist nicht korrekt ausgerichtet.	Stellen Sie den Treibriemen ein.
	Das Leitblech für die Auswurfschütte ist nicht korrekt ausgerichtet.	Stellen Sie das Leitblech für die Auswurfschütte ein.
Die LEDs (sofern vorhanden) sind nicht in Betrieb	Der Motor läuft nicht.	Starten Sie den Motor.
	Die Kabelverbindung hat sich gelockert.	Überprüfen Sie die Kabelverbindungen am Motor und an den Leuchten.
	Die LED ist durchgebrannt.	Ersetzen Sie das LED-Leuchtenmodul. Einzelne LEDs können nicht ersetzt werden.
Die Auswurfschüttendrehung lässt sich nur schwer bewegen	Der Mechanismus der Auswurfschüttendrehung ist verschmutzt.	Reinigen Sie die innenliegenden Bauteile des Mechanismus der Auswurfschüttendrehung.
	Die Kabel weisen Knicke oder Beschädigungen auf.	Stellen Sie sicher, dass die Kabel nicht geknickt sind. Ersetzen Sie die beschädigten Kabel.
Das Gerät zieht beim Fahren nach einer Seite	Der Reifendruck ist nicht auf beiden Seiten identisch.	Passen Sie den Reifendruck an und füllen Sie Luft auf die Reifen auf.
	Das Gerät fährt mit nur einem Rad.	Prüfen Sie den Sicherungstift der Reifen.
	Ungleichmäßige Einstellung des Schlittens.	Stellen Sie die Gleitplatten und den Schlitten ein.
	Ungleichmäßige Einstellung der Gleitplatten.	Stellen Sie die Gleitplatten und den Schlitten ein.

Transport, Lagerung und Entsorgung

Transport und Lagerung

- Für die Lagerung und den Transport des Produkts und des Kraftstoffs ist darauf zu achten, dass keine Lecks oder Dämpfe vorhanden sind. Funken oder offene Flammen, zum Beispiel von elektrischen Geräten oder einem Boiler, können ein Feuer auslösen.
- Verwenden Sie für die Lagerung und den Transport von Kraftstoff immer zugelassene Behälter.
- Leeren Sie den Kraftstofftank, bevor Sie das Produkt über einen längeren Zeitraum einlagern. Entsorgen Sie den Kraftstoff in einer geeigneten Abfallentsorgungsstelle.
- Sichern Sie das Produkt während des Transports ab, um Schäden und Unfälle zu vermeiden.

- Bewahren Sie das Produkt in einem verschlossenen Bereich auf, um einen unerlaubten Zugriff durch Kinder oder andere Personen zu verhindern.
- Bewahren Sie das Produkt an einem trockenen und frostfreien Raum auf.

Entsorgung

- Befolgen Sie die örtlichen Recyclinganforderungen und geltenden Vorschriften.
- Entsorgen Sie alle Chemikalien, z. B. Motoröl oder Kraftstoff, in einer Servicewerkstatt oder in einer geeigneten Abfallentsorgungsstelle.
- Wenn Sie das Produkt nicht mehr benutzen, senden Sie es an einen Husqvarna Händler oder entsorgen Sie es in einer Wiederverwertungsanlage.

Technische Angaben

Technische Daten

Hinweis: Bei allen Daten, Bildern und Spezifikationen handelt es sich um typische Angaben, die nur als

Referenz dienen und im Zuge von Geräteverbesserungen ohne vorherige Ankündigung geändert werden können.

	ST 224	ST 227P	ST 230P
Abmessungen			
Gewicht, lb/kg	198,6/90	212/96	237,8/108
Max. Betriebsreifendruck, PSI	18	18	20
Motor			
Marke/Modell	LCT	LCT	LCT
Hubraum, cm ³	208	254	291
Kraftstofftyp	Bleifrei, normal (max. 10 % Ethanol)		
Kraftstofffüllmenge, Gallonen/Liter	0,31/1,17	0,35/1,33	0,62/2,35
Öl	SAE 5W30 (unter 0 °C (32 °F))		
Ölfüllmenge Unzen/Liter	16/0,47	20/0,59	32/0,95
Elektrisches System			
Zündkerze	F6RTC oder F7RTC, Elektrodenabstand: 0,030" (0,762 mm)		
Geräuschemissionen⁹			
Schalleistungspegel, gemessen in dB(A)	105	105	105
Schalleistungspegel, garantiert L _{WA} dB(A)	105	105	105
Schallpegel			

⁹ Umweltbelastende Geräuschemissionen, gemessen als Schalleistung (L_{WA}) gemäß EG-Richtlinien 2000/14/EG und 2005/88/EG.

	ST 224	ST 227P	ST 230P
Schalldruckpegel am Ohr des Bedieners, dB(A)	88,4	88,4	88,4
Vibrationspegel, a_{hveq} ¹⁰			
Vibrationspegel am Griff, m/s ²	5,74	4,89	4,66

¹⁰ Vibrationspegel gemäß ISO 5349-2 EN 1033.

EG-Konformitätserklärung

INHALT DER EU-KONFORMITÄTSERKLÄRUNG

Wir, Husqvarna, SE-561 82 Huskvarna, SCHWEDEN,
erklären in alleiniger Verantwortung, dass das Gerät
Folgendem genügt:

Beschreibung	Schneefräse
Marke	Husqvarna
Plattform/Typ/Modell	ST 224, ST 227P, ST 230P
Charge	Seriennummer ab 2018

Es erfüllt die folgenden EU-Vorschriften und -Richtlinien:

Richtlinie/Verordnung	Beschreibung
2006/42/EG	„bezüglich Maschinenrichtlinie“
2014/30/EG	„bezüglich EMV-Richtlinie“
2000/14/EG, 2005/88/EG	„bezüglich Richtlinie über umweltbelastende Geräuschemissionen“

Harmonisierte Normen und/oder technische
Spezifikationen gelten wie folgt:

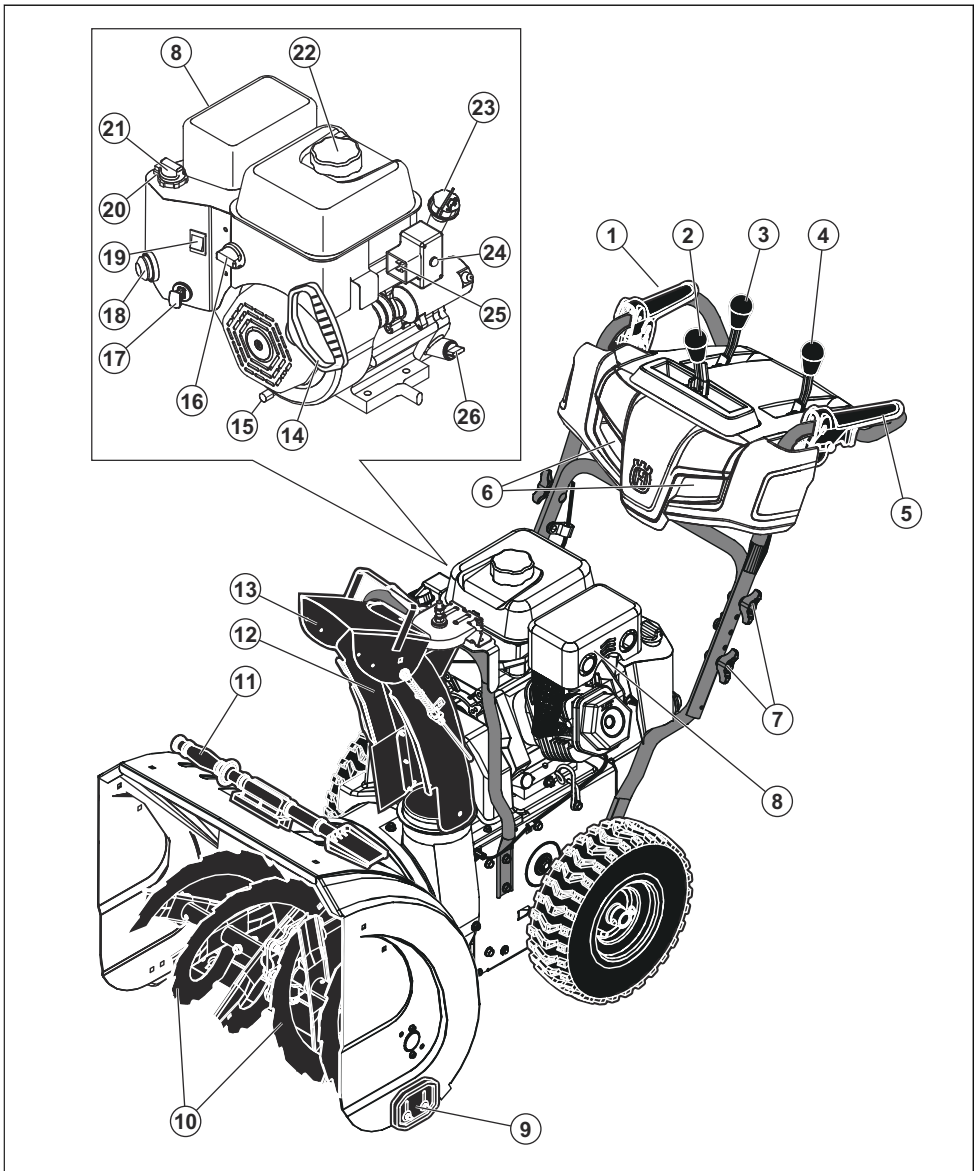
Die im Abschnitt „Technische Daten“ in dieser
Bedienungsanleitung und in der signierten EU-
Konformitätserklärung angegebenen Schallwerte
entsprechen der EU-Richtlinie 200/14/EG, Anhang V.

Die gelieferte Schneefräse entspricht dem
Geräteexemplar, das die Prüfung durchlaufen hat.

Sommaire

Introduction.....	56	Dépannage.....	77
Sécurité.....	59	Transport, entreposage et mise au rebut.....	80
Montage.....	62	Caractéristiques techniques.....	80
Utilisation.....	64	Déclaration de conformité CE.....	82
Entretien.....	69		

Aperçu du produit



1. Engagement de la vis sans fin
2. Levier de commande de la goulotte d'éjection

3. Levier de commande de la vitesse de transmission
4. Levier de commande à distance du déflecteur

5. Engagement de la transmission
6. Voyant
7. Bouton de poignée
8. Silencieux
9. Plaque de protection
10. Vis sans fin
11. Outil de nettoyage
12. Goulotte d'éjection
13. Déflecteur de goulotte
14. Poignée du câble du démarreur
15. Bouchon de vidange d'huile
16. Interrupteur de carburant
17. Clé MARCHE/ARRÊT
18. Amorceur
19. Interrupteur de marche/arrêt (ST 227P, ST 230P)
20. Commande d'accélération
21. Starter
22. Bouchon de remplissage d'essence
23. Remplissage d'huile et jauge (ST 227P, ST 230P)
24. Bouton de démarrage électrique
25. Connexion, démarrage électrique
26. Remplissage d'huile et jauge (ST 224)

Description du produit

Le produit est une souffleuse sur roues qui est utilisée pour retirer la neige du sol.

Utilisation prévue

Ce produit peut être utilisé pour retirer la neige des champs, des routes, des allées et des trottoirs. Ne l'utilisez pas sur des pentes de plus de 20°. N'utilisez pas ce produit dans des zones où il y a beaucoup de débris, de saletés et de pierres qui dépassent.

Symboles concernant le produit

Remarque: Si les autocollants sur le produit sont endommagés, contactez le distributeur afin de les remplacer.



Avertissement.



Lisez le manuel d'utilisation.



Moteur en marche



Moteur à l'arrêt.



Rapide.



Lent.



Starter.



Amorceur.



Huile.



Carburant.



Attention.



Directive européenne Machines liée à la sécurité.



Tourner à gauche.



Tourner à droite.



Réglage de la hauteur de la vis sans fin.



Souffleur désactivé.



Souffleur activé.



Transmission motrice désactivée.



Transmission motrice activée.



Ne retirez pas les carters lorsque le moteur tourne.



Protection d'oreilles recommandée.



Niveau de puissance sonore.



Clé MARCHE/ARRÊT. Insérez-la pour démarrer et opérer la machine.



Starter fermé (démarrage).



Amorceur.



Tirez la poignée du câble du démarreur pour démarrer.



Starter ouvert (en marche).



Clé MARCHE/ARRÊT. Retirez-la pour arrêter la machine.



Ne pas utiliser sur des pentes d'une inclinaison supérieure à 10 degrés.



Débranchez le câble de la bougie avant l'entretien.



Surface chaude.



Soupepe d'arrêt de carburant.



Avertissement, éloignez vos mains.

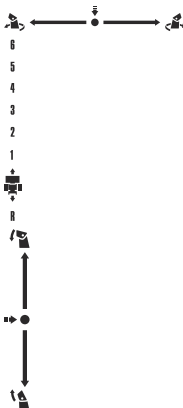


Avertissement, éloignez vos pieds.



Prenez garde aux projections d'objets, éloignez les personnes à proximité.

Tourner à gauche / enfoncer / tourner à droite.



Avant/arrière.

Haut/bas.

Responsabilité

Conformément à la loi sur la responsabilité du fait des produits, nous déclinons toute responsabilité pour tout dommage causé par notre produit si :

- le produit n'est pas correctement réparé ;
- le produit est réparé avec des pièces qui ne proviennent pas du fabricant ou qui ne sont pas homologuées par le fabricant ;
- le produit est équipé d'un accessoire qui ne provient pas du fabricant ou qui n'est pas homologué par le fabricant ;
- le produit n'est pas réparé par un centre d'entretien agréé ou par une autorité homologuée.

Sécurité

Définitions de sécurité

Les définitions ci-dessous indiquent le niveau de gravité pour chaque mention d'avertissement.



AVERTISSEMENT: Blessures aux personnes.



REMARQUE: Dommages au produit.

Remarque: Cette information facilite l'utilisation du produit.

Instructions générales de sécurité

- Utilisez le produit correctement. Une utilisation inappropriée peut causer des blessures graves, voire mortelles. Utilisez uniquement le produit pour les tâches décrites dans le présent manuel. N'utilisez pas ce produit pour d'autres travaux.
- Respectez les instructions de ce manuel. Respectez les symboles et les instructions de sécurité. Le non-respect des instructions et des symboles par l'opérateur peut causer des blessures graves, voire mortelles, ou des dommages.
- Ne jetez pas ce manuel. Utilisez les instructions pour assembler, utiliser et conserver votre produit en bon état. Utilisez les instructions pour l'installation appropriée des équipements et accessoires. Utilisez uniquement des équipements et accessoires homologués.
- N'utilisez pas de produit endommagé. Respectez le schéma d'entretien. Effectuez uniquement les travaux d'entretien dont les instructions sont comprises dans ce manuel. Tous les autres travaux d'entretien doivent être effectués par un centre d'entretien agréé.
- Ce manuel ne peut pas inclure toutes les situations qui peuvent se produire lorsque vous utilisez le produit. Soyez prudent et utilisez votre bon sens. N'utilisez pas ou n'effectuez pas de travaux d'entretien sur le produit si vous n'êtes pas sûr de la situation. Contactez un spécialiste du produit, votre revendeur, votre agent d'entretien ou centre d'entretien agréé pour plus d'informations.
- Déconnectez la bougie avant d'assembler, de stocker ou d'effectuer l'entretien du produit.
- N'utilisez pas le produit si ses caractéristiques initiales ont été changées. Ne remplacez pas une pièce du produit sans l'approbation du fabricant. Utilisez uniquement les pièces qui sont approuvées par le fabricant. Un entretien inapproprié peut causer des blessures graves, voire mortelles.

- Ne respirez pas les fumées provenant du moteur. À long terme, l'inhalation de gaz d'échappement dégagés par le moteur constitue un danger pour la santé.
- Ne démarrez pas le produit dans un local clos ou à proximité de matériaux inflammables. Les gaz d'échappement sont très chauds et peuvent contenir une étincelle pouvant provoquer un incendie. Un débit d'air insuffisant peut causer des blessures graves, voire mortelles dues à une asphyxie ou au monoxyde de carbone.
- Lorsque vous utilisez ce produit, le moteur crée un champ électromagnétique. Le champ électromagnétique peut endommager les implants médicaux. Consultez votre médecin et le fabricant de votre implant avant d'utiliser ce produit.
- Ne laissez pas un enfant utiliser le produit. Ne laissez personne utiliser le produit sans en connaître les instructions d'utilisation.
- Assurez-vous de toujours surveiller une personne aux capacités physiques ou mentales réduites qui utilise le produit. Un adulte responsable doit être présent à tout moment.
- Stockez le produit dans une zone dont l'accès est fermé aux enfants et aux personnes non autorisées.
- Le produit peut projeter des objets et causer des blessures. Respectez les consignes de sécurité afin de réduire le risque de blessures graves ou mortelles.
- Ne vous éloignez pas du produit lorsque le moteur est allumé.
- L'opérateur du produit est tenu responsable en cas d'accident.
- Avant et pendant que vous marchez à reculons, regardez derrière vous et à vos pieds pour vérifier la présence éventuelle de jeunes enfants, d'animaux ou d'autres risques qui pourraient vous faire tomber.
- Assurez-vous que les pièces ne soient pas endommagées avant d'utiliser le produit.
- Assurez-vous de maintenir une distance minimum de 15 m (50 ft) entre vous et les autres personnes ou animaux avant d'utiliser le produit. Assurez-vous que toute personne présente dans une zone adjacente sache que vous allez utiliser le produit.
- Référez-vous aux lois nationales ou locales. Elles peuvent empêcher ou limiter le fonctionnement du produit dans certaines conditions.

Consignes de sécurité pour le fonctionnement

- Ne placez pas vos mains ou vos pieds à proximité ou sous les organes mobiles. Restez toujours éloigné de l'ouverture de l'éjecteur.
- Soyez extrêmement prudent lorsque vous utilisez la machine sur des routes, des trottoirs ou des chemins

avec graviers. Restez vigilant par rapport aux risques cachés ou au trafic

- Si vous percutez un corps étranger, arrêtez le moteur, retirez le câble de la bougie, débranchez le câble (moteur électrique) et inspectez attentivement le produit pour vous assurer de l'absence de dégâts. En cas d'endommagement, réparez-les avant de redémarrer et de réutiliser le produit.
- Si le produit commence à vibrer de façon anormale, arrêtez le moteur et cherchez-en immédiatement la cause. Les vibrations sont généralement le signe d'une anomalie.
- Arrêtez le moteur à chaque fois que vous quittez la zone de travail, avant de débloquer le carter de la vis sans fin ou le déflecteur de la goulotte, et lorsque vous effectuez un réglage, une réparation ou une inspection de la machine.
- Lorsque vous souhaitez nettoyer, réparer ou inspecter le produit, coupez le moteur et vérifiez que les vis sans fin ainsi que toutes les pièces mobiles se sont immobilisées. Débranchez le câble des bougies et tenez-le éloigné des bougies afin d'éviter tout démarrage accidentel du moteur.
- Ne mettez pas le moteur en marche à l'intérieur, sauf lors du démarrage du moteur et pour sortir ou rentrer le produit dans le bâtiment. Ouvrez les portes vers l'extérieur ; les gaz d'échappement du moteur sont dangereux.
- Soyez extrêmement prudent lorsque vous utilisez la machine sur des terrains en pente.
- N'utilisez jamais le produit si les dispositifs de protection ne sont pas en place et en état de marche.
- N'orientez jamais le déflecteur de la goulotte vers des personnes ou vers des endroits où les éventuelles projections pourraient causer des dégâts. Maintenez les enfants et les animaux domestiques à bonne distance.
- Ne surchargez pas la capacité du produit en essayant de déblayer la neige à trop grande vitesse.
- N'utilisez jamais le produit à une vitesse élevée sur des surfaces glissantes. Lorsque vous reculez, regardez derrière vous et déplacez-vous lentement.
- Desserrez les vis sans fin lorsque vous transportez le produit ou ne l'utilisez pas.
- N'utilisez que les attaches et accessoires approuvés par le fabricant du produit (poids des roues, contrepoids ou cabines).
- N'utilisez jamais ce produit si la visibilité ou la luminosité n'est pas bonne. Gardez les pieds toujours bien daplomb sur le sol et maintenez la poignée avec fermeté. Marchez, ne courez jamais.
- Ne touchez jamais le moteur ou le silencieux quand il est chaud.

Sécurité dans l'espace de travail

- Inspectez attentivement la zone de travail avant d'utiliser l'équipement. Enlevez les travaillassons, planches, fils et autres corps étrangers.

- Débrayez et passez le point mort avant de démarrer le moteur.
- N'utilisez pas le produit sans porter de vêtements amples susceptibles de se prendre dans les organes mobiles. Passez des chaussures assurant une bonne adhérence sur les surfaces glissantes
- Manipulez l'essence avec précaution car elle est hautement inflammable.
 - Utiliser un récipient homologué pour le stockage du carburant.
 - Ne faites jamais l'appoint en essence lorsque le moteur est en marche ou chaud.
 - Remplissez le réservoir à l'extérieur, en prenant toutes les précautions qui s'imposent. Ne remplissez jamais le réservoir à l'intérieur
 - Ne remplissez jamais le bidon à l'intérieur d'un véhicule ou sur un camion ou une remorque avec une bâche en plastique. Avant de le remplir, placez toujours le récipient sur le sol, loin de votre véhicule.
 - Dans la mesure du possible, descendez le matériel du camion ou de la remorque et faites l'appoint à même le sol. En cas d'impossibilité, faites l'appoint sur la remorque à l'aide d'un récipient portable et non à l'aide d'un pistolet à essence.
 - Gardez le pistolet en permanence en contact avec le bord du réservoir à essence ou du récipient, jusqu'à la fin de l'appoint. N'utilisez pas un pistolet avec un dispositif de blocage en position ouverte.
 - Remettez le bouchon du réservoir bien en place et essuyez les traces d'essence.
 - Changez immédiatement vos vêtements s'ils ont été en contact avec l'essence.
- Pour les machines à moteur à entraînement ou à démarrage électrique, utilisez des rallonges conformes à celles spécifiées par le fabricant.
- Réglez la hauteur du carter de la vis sans fin pour dégager une surface avec du gravier ou des cailloux.
- N'essayez jamais d'effectuer des réglages lorsque le moteur tourne (à moins que cela ne soit spécialement recommandé par le fabricant).
- Portez toujours des lunettes ou un masque de protection pour les yeux pendant l'utilisation de la machine ou lorsque vous effectuez un réglage ou une réparation, de sorte à protéger vos yeux en cas de projection de corps étrangers.

Équipement de protection individuelle

Utilisez toujours un équipement de protection individuelle approprié lors de tout travail avec l'appareil. Cela comprend, au minimum, des chaussures robustes, des protections pour les yeux et des protège-oreilles. L'équipement de protection individuel n'élimine pas les risques, mais il peut réduire la gravité des blessures en cas d'accident.

- Portez toujours des lunettes de sécurité ou des protections pour les yeux pendant l'utilisation du produit ou pendant son entretien ou sa réparation.
- Portez toujours des vêtements d'hiver appropriés lorsque vous utilisez le produit.
- Utilisez toujours des bottes antidérapantes très résistantes qui soutiennent bien les chevilles pendant que vous utilisez le produit.
- Ne portez pas de vêtements lâches pouvant s'accrocher dans les pièces mobiles.
- Utilisez des gants de protection homologués, si nécessaire. Par exemple, lorsque vous fixez, examinez ou nettoyez la lame.
- Utilisez toujours des protections auditives homologuées lorsque vous faites fonctionner le produit. Une exposition au bruit sur de longues périodes peut provoquer une perte d'audition.
- Si vous avez renversé du carburant sur vos vêtements, changez de vêtements immédiatement.
- Évitez tout contact de la peau avec le carburant. Le carburant peut causer des blessures. Si votre peau entre en contact avec le carburant, lavez les parties qui ont été en contact avec de l'eau et du savon.
- Ne démarrez pas le produit s'il y a une fuite de moteur. Vérifiez régulièrement s'il y a des fuites de moteur.
- Faites attention avec le carburant. Le carburant est inflammable et ses vapeurs sont explosives. Il peut causer des blessures graves, voire mortelles.
- Ne respirez pas les vapeurs de carburant, elles peuvent causer des blessures. Assurez-vous que la ventilation est suffisante.
- Ne fumez pas à proximité du carburant ou du moteur.
- Ne mettez pas d'objets chauds à proximité du carburant ou du moteur.

Dispositifs de sécurité sur le produit

- Assurez-vous de régulièrement entretenir le produit.
 - La durée de vie du produit augmente.
 - Le risque d'accident diminue.

Laissez un revendeur ou un centre d'entretien agréé régulièrement examiner le produit pour effectuer des réglages ou des réparations.

- N'utilisez pas un produit dont les équipements de protection sont endommagés. Si le produit est endommagé, contactez un centre d'entretien agréé.

Silencieux

Le silencieux maintient les niveaux sonores à un minimum et envoie les gaz d'échappement loin de l'utilisateur.

N'utilisez pas ce produit si le silencieux est manquant ou défectueux. Le silencieux est en mauvais état augmente le niveau sonore et le risque d'incendie.

Examinez le silencieux régulièrement pour s'assurer qu'il est correctement connecté et qu'il n'est pas endommagé.



REMARQUE: Le silencieux devient très chaud pendant et après utilisation et lorsque le moteur fonctionne au ralenti. Faites attention à proximité des matériaux inflammables et/ou des fumées afin d'éviter tout risque d'incendie.

Sécurité carburant



AVERTISSEMENT: Lisez les instructions qui suivent avant d'utiliser le produit.

- Ne démarrez pas le produit si du carburant ou de l'huile moteur a été renversé(e) sur le produit. Essuyez le carburant/l'huile et attendez que le produit sèche.
- Si vous avez renversé du carburant sur vos vêtements, changez de vêtements immédiatement.
- Évitez tout contact de la peau avec le carburant. Le carburant peut causer des blessures. Si votre peau entre en contact avec le carburant, lavez les parties qui ont été en contact avec de l'eau et du savon.
- Ne démarrez pas le produit s'il y a une fuite de moteur. Vérifiez régulièrement s'il y a des fuites de moteur.
- Faites attention avec le carburant. Le carburant est inflammable et ses vapeurs sont explosives. Il peut causer des blessures graves, voire mortelles.
- Ne respirez pas les vapeurs de carburant, elles peuvent causer des blessures. Assurez-vous que la ventilation est suffisante.
- Ne fumez pas à proximité du carburant ou du moteur.
- Ne mettez pas d'objets chauds à proximité du carburant ou du moteur.
- N'ajoutez pas de carburant lorsque le moteur est allumé.
- Assurez-vous que le moteur est froid avant de faire le plein de carburant.
- Avant de faire le plein, ouvrez le bouchon du réservoir de carburant lentement et relâchez la pression avec précaution.
- N'ajoutez pas de carburant au moteur dans un espace intérieur. Un débit d'air insuffisant peut causer des blessures graves, voire mortelles dues à une asphyxie ou au monoxyde de carbone.
- Serrez complètement le bouchon du réservoir de carburant. Si le bouchon du réservoir de carburant n'est pas serré, il y a un risque d'incendie.
- Déplacez le produit à un minimum de 3 m (10 ft) de l'endroit où a été fait le plein de carburant avant de démarrer le produit.
- Ne remplissez pas trop le réservoir de carburant.

Consignes de sécurité pour l'entretien



AVERTISSEMENT: Lisez les instructions qui suivent avant d'utiliser le produit.

- Les gaz d'échappement du moteur contiennent du monoxyde de carbone, un gaz inodore, toxique et très dangereux. Ne démarrez pas le moteur en intérieur ou dans des espaces fermés.
- Avant de procéder à l'entretien du produit, arrêtez le moteur et débranchez le câble d'allumage de la bougie.
- Utilisez des gants de protection lorsque vous procédez à l'entretien des lames. Les lames sont très tranchantes et des coupures peuvent survenir facilement.
- Les accessoires et les modifications apportées au produit qui ne sont pas approuvés par le fabricant peuvent causer des blessures très graves, voire mortelles. Ne modifiez pas le produit. Utilisez

toujours des accessoires qui sont approuvés par le fabricant.

- Si l'entretien n'est pas effectué correctement et régulièrement, le risque de blessures et d'endommagement du produit augmente.
- Effectuez uniquement les tâches d'entretien décrites dans le présent manuel de l'opérateur. Toutes les

autres tâches d'entretien doivent être effectuées par un atelier spécialisé agréé.

- Demandez à un atelier spécialisé d'effectuer régulièrement l'entretien du produit.
- Remplacez les pièces endommagées, usées ou cassées.

Montage

Pour retirer le produit du carton

1. Retirez toutes les pièces détachées fournies avec le produit. Coupez les quatre coins du carton et placez les panneaux d'extrémité vers le bas et à plat.
2. Déposez les deux vis qui fixent le carter de la vis sans fin à la palette. Déposez les supports en acier des plaques de protection, le cas échéant.
3. Retirez tous les matériaux d'emballage.
4. Retirez le produit du carton et assurez-vous qu'aucune pièce détachée ne reste dans le carton.

Pièces détachées



Bouton (3)



Goulotte d'éjection (1)



Clé de marche/arrêt (s)



Boulons de carrosserie 5/16-18 x 2 1/4 po (2)



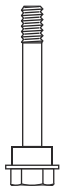
Boutons de poignée (2)



Contre-écrou 3/8 (1)



Guide-câbles (1)



Goupilles de tonte 1/4-20 x 1-3/4 (6)



Contre-écrou 1/4-20 (6)



Contre-écrou 5/16-18 (1)



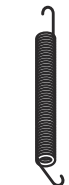
Contre-écrou 1/4-20 (1)



Rondelle en nylon (1)



Boulon de carrosserie 5/16-18 x 5/8 (1)



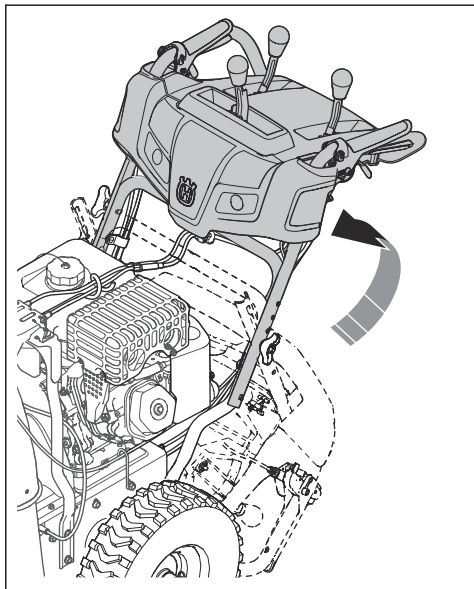
Ressort (1)



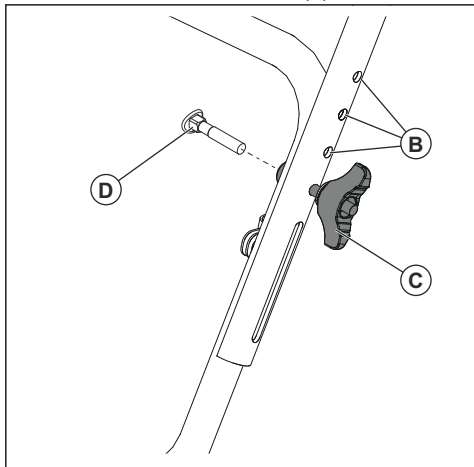
Boulon à épaulement 1/4-20 (1)

Pour installer la poignée

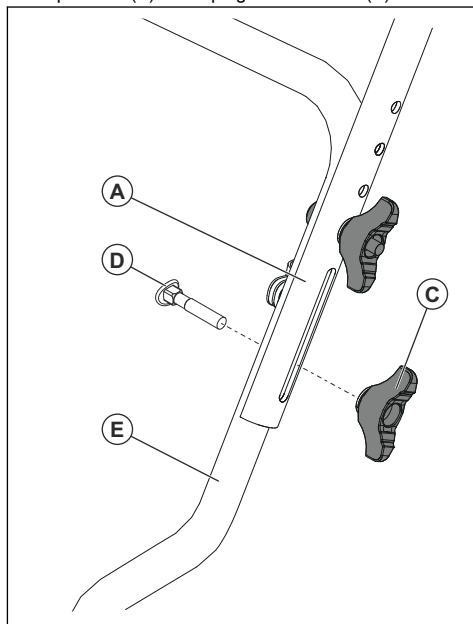
1. Relevez la poignée supérieure en position de fonctionnement.



2. Réglez la position de la poignée sur l'un des trous de fixation (B) et serrez les boutons de poignée (C) avec les boulons de carrosserie (D).



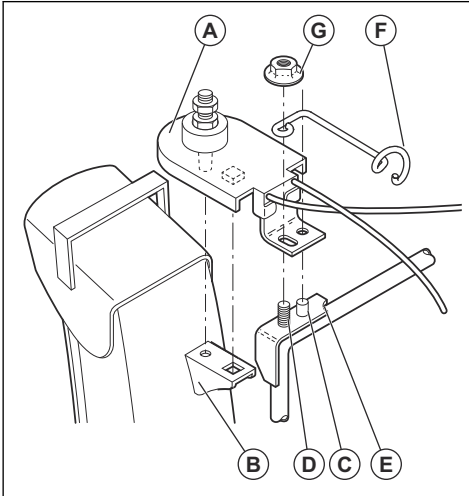
3. Installez plus de boulons de carrosserie (D) et de boutons de poignée (C) pour fixer la poignée supérieure (A) sur la poignée inférieure (E).



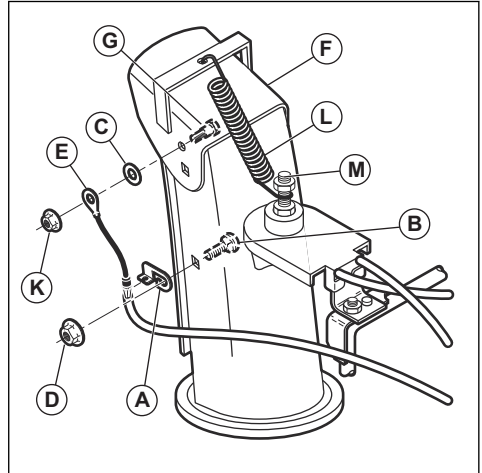
Pour installer le déflecteur de la goulotte et la tête de rotation de la goulotte

1. Placez l'ensemble de déflecteur de la goulotte au-dessus de la base de la goulotte avec l'ouverture d'évacuation vers l'avant du produit.
2. Placez la tête de rotation de la goulotte (A) sur le support de la goulotte (B). Faites tourner l'ensemble de goulotte pour aligner les broches sous la tête de rotation de la goulotte avec les trous dans le support de la goulotte, le cas échéant.
3. Placez la tête de rotation de la goulotte sur la broche (C) et sur le goujon fileté (D) sur le support de montage (E).

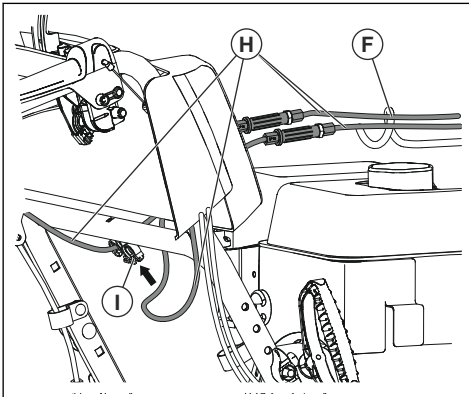
- Fixez un contre-écrou (G) sur le goujon fileté et serrez.



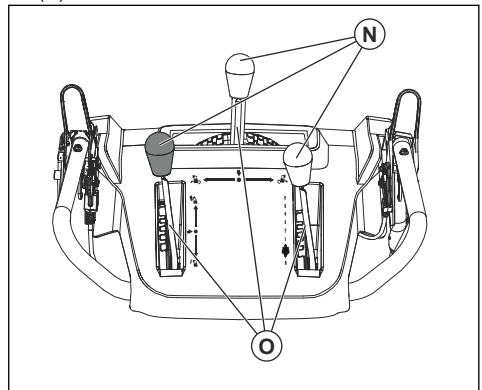
- Installez l'œillet du câble à distance (E) sur le déflecteur de la goulotte (F) avec un boulon à épaulement (G) et une rondelle en nylon (C) et serrez avec un contre-écrou 1/4-20 (K). L'œillet du câble ne sera pas serré au niveau du boulon à épaulement.
- Fixez le ressort (L) entre l'écrou hexagonal (M) sur la tête de rotation de la goulotte et le trou sur le déflecteur de la goulotte.



- Passez les câbles à travers le guide-câble (F) et le double serre-câble (I) pour fixer le câble de rotation (H) à la poignée inférieure.



- Fixez les boutons de commande du levier (N) en les poussant vers le bas sur les leviers de commande (O).



Pour installer la commande à distance du déflecteur de la goulotte

- Fixez le support de câble à distance (A) sur la goulotte d'éjection avec un boulon de carrosserie (B) et un contre-écrou 5/16-18 (D). Serrez le boulon.

Utilisation

Avant de démarrer le produit

- Veillez à ce que les personnes et les animaux soient à une distance suffisante de la zone de travail.
- Effectuez l'entretien quotidien. Consultez la section *Calendrier de maintenance* à la page 69.

- Assurez-vous que le câble d'allumage est bien placé sur la bougie.
- Ajoutez de l'huile ou de l'essence, si nécessaire. Consultez la section *Caractéristiques techniques* à la page 80.

Pour remplir le moteur d'huile



REMARQUE: Ne faites pas tourner la jauge lorsque vous vérifiez l'huile. Ne remplissez pas au-delà du repère.

1. Déposez le bouchon du réservoir d'huile et nettoyez la jauge. Reportez-vous à *Aperçu du produit à la page 56* pour connaître l'emplacement de la jauge.
2. Ajoutez de l'huile jusqu'au repère supérieur de la jauge. Utilisez la jauge pour vérifier le niveau d'huile à intervalles réguliers.
3. Remplacez le bouchon du réservoir d'huile.

Pour remplir le réservoir de carburant

Si cela est possible, utilisez de l'essence d'alkylate/écologique. Si vous ne pouvez pas vous procurer de l'essence d'alkylate/écologique, utilisez de l'essence au plomb ou de l'essence sans plomb de bonne qualité. Utilisez de l'essence avec un indice d'octane de 90 RON hors Amérique du Nord (87 AKI en Amérique du Nord) ou plus, et avec un maximum de 10 % d'éthanol (E10).



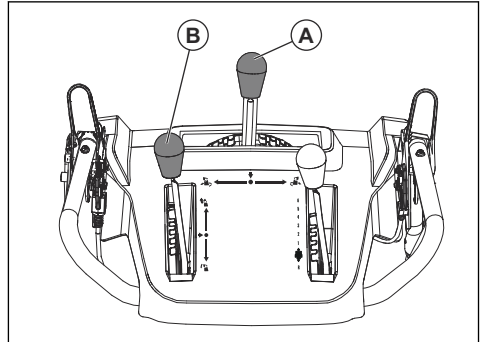
REMARQUE: N'utilisez pas d'essence avec un indice d'octane inférieur à 90 RON hors Amérique du nord (87 AKI en Amérique du Nord). Cela peut endommager le produit.

1. Ouvrez lentement le couvercle du réservoir de carburant pour relâcher la pression.
2. Remplissez lentement le réservoir à l'aide d'un bidon de carburant. Si vous renversez du carburant, essuyez-le à l'aide d'un chiffon et laissez le carburant restant sécher.
3. Essuyez le pourtour du bouchon du réservoir de carburant.
4. Serrez complètement le bouchon du réservoir de carburant. Si le bouchon du réservoir de carburant n'est pas serré, il y a un risque d'incendie.
5. Déplacez le produit à un minimum de 3 m (10 ft) de l'endroit où a été fait le plein de carburant avant de démarrer le produit.

Pour régler la goulotte d'éjection et le déflecteur de la goulotte

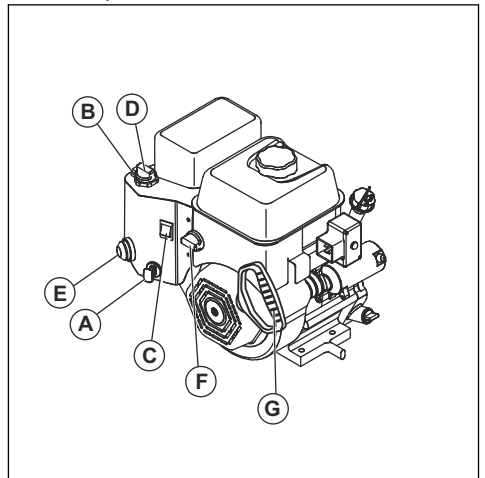
1. Pour régler la position de la goulotte d'éjection, déplacez le levier de commande de la goulotte d'éjection (A) vers l'arrière et vers la gauche ou la droite.

2. Pour régler la distance d'éjection de la neige du déflecteur de la goulotte, déplacez le levier de commande à distance du déflecteur (B) vers le bas pour diminuer la distance et vers le haut pour l'augmenter.



Pour démarrer le moteur, démarrage manuel

1. Insérez la clé de marche/arrêt (A) dans la fente d'allumage jusqu'à ce qu'elle s'enclenche. Ne tournez pas la clé.



2. Mettez l'interrupteur marche/arrêt du carburant (F) en position ON (marche).
3. Placez la commande d'accélération (B) en position FAST (rapide).
4. Mettez l'interrupteur de marche/arrêt (C) en position ON (le cas échéant).
 - a) Si le moteur est froid, tournez le starter (D) en position FULL (plein) et appuyez trois fois sur l'amorceur (E).



REMARQUE: N'amorcez pas trop le moteur. Cela peut empêcher le moteur de démarrer. Si le moteur est trop amorcé, attendez quelques minutes avant d'essayer de démarrer et n'appuyez pas sur l'amorceur.

5. Tirez la poignée du câble du démarreur (G).



REMARQUE: Ne relâchez pas trop rapidement. Ramenez-la lentement en position initiale.

Remarque: Si le câble du démarreur a gelé, tirez doucement sur le câble pour en sortir autant que possible du démarreur et relâchez la poignée du câble du démarreur. Si le moteur ne démarre pas, répétez la procédure ou utilisez le démarreur électrique.

6. Si le starter a été utilisé pour démarrer le moteur, déplacez lentement le starter (D) en position OFF (arrêt).
7. Faites tourner le moteur au ralenti pendant 2 à 3 minutes avant de commencer à projeter de la neige.
8. Si le moteur ne fonctionne pas comme prévu, éteignez-le.

Pour démarrer le moteur, démarrage électrique



AVERTISSEMENT: Le produit est équipé d'un démarreur électrique de 230 V CA. N'utilisez pas le démarreur électrique si votre domicile ne possède pas de système de mise à la terre à trois fiches de 230 V CA. Cela pourrait entraîner des blessures corporelles graves ou des dommages au produit. Le démarreur électrique possède une prise d'alimentation à trois fiches et est conçu pour utiliser un courant domestique de 230 V CA. Assurez-vous que votre domicile possède un système de mise à la terre à trois fiches de CA. En cas de doute, demandez à un électricien agréé.

1. Insérez la clé de marche/arrêt (A) dans la fente d'allumage jusqu'à ce qu'elle s'enclenche. Ne tournez pas la clé.
2. Mettez l'interrupteur marche/arrêt du carburant (F) en position ON (marche).
3. Placez la commande d'accélération (B) en position FAST (rapide).
4. Mettez l'interrupteur de marche/arrêt (C) en position ON (le cas échéant).
 - a) Si le moteur est froid, mettez le starter (D) en position FULL (plein).

5. Appuyez trois fois sur l'amorceur (E).



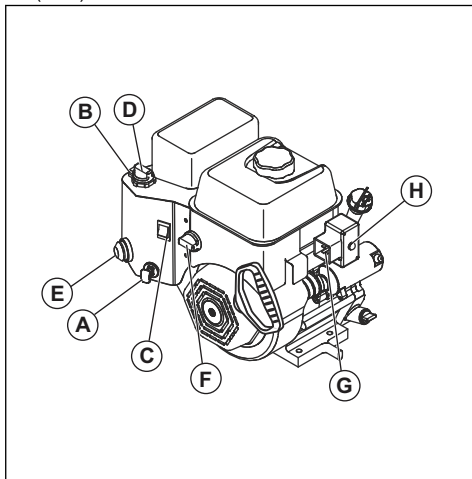
REMARQUE: N'amorcez pas trop le moteur. Cela peut empêcher le moteur de démarrer. Si le moteur est trop amorcé, attendez quelques minutes avant d'essayer de démarrer et n'appuyez pas sur l'amorceur.

6. Branchez la rallonge au connecteur du moteur (G).
7. Branchez l'autre extrémité de la rallonge à une prise à trois fiches connectée à une masse 230 V CA.
8. Appuyez sur le bouton de démarrage électrique (H) jusqu'à ce que le moteur démarre.



REMARQUE: N'actionnez pas le moteur pendant plus de cinq secondes consécutives entre chaque tentative de démarrage. Attendez 5 à 10 secondes entre chaque tentative.

9. Si le starter a été utilisé pour démarrer le moteur, lâchez le bouton de démarrage électrique et déplacez lentement le starter (D) en position OFF (arrêt).



10. Débranchez en premier la rallonge de la prise, puis du moteur.
11. Faites tourner le moteur au ralenti pendant 2 à 3 minutes avant de commencer à projeter de la neige.

Pour utiliser le produit



REMARQUE: Ne l'utilisez pas en l'absence de neige ou d'eau pour lubrifier les lames de la vis sans fin. Une mauvaise utilisation peut provoquer des températures élevées dans les lames de la vis sans fin, surtout si le produit est neuf. Cela peut endommager les

lames de la vis sans fin et la barre du grattoir.

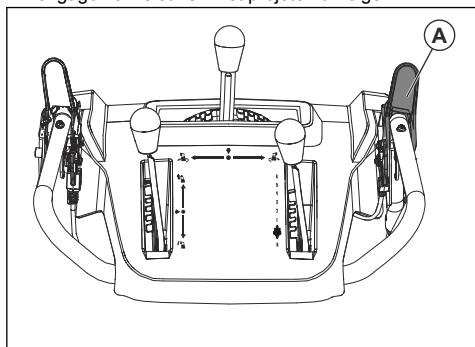


REMARQUE: N'engagez pas partiellement l'entraînement ou les leviers de la vis sans fin pendant une durée prolongée ; cela pourrait entraîner une usure prématurée ou brûler les courroies.

Remarque: Lorsque les engagements de la vis sans fin et de l'entraînement sont engagés, l'engagement de l'entraînement bloque l'engagement de la vis sans fin dans la bonne position. Utilisez votre main droite pour contrôler la goulotte d'éjection de neige.

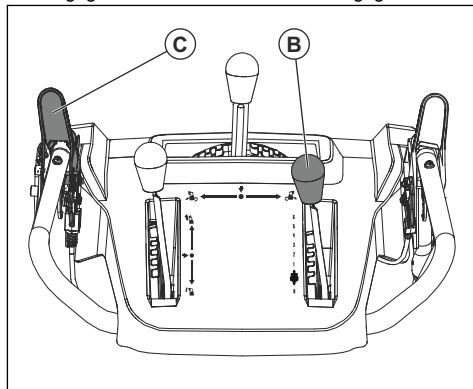
Remarque: Ne modifiez pas la vitesse lorsque le levier d'entraînement est enclenché. Cela peut endommager la transmission.

1. Pour engager les lames de la vis sans fin, poussez l'enclenchement de la vis (A) sur la poignée pour engager la vis sans fin et projeter la neige.

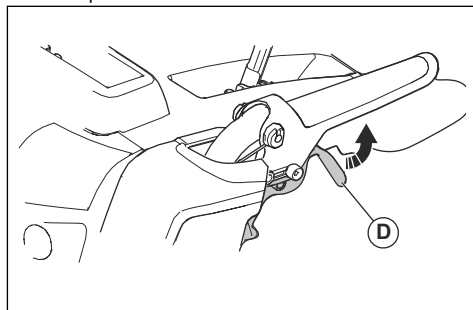


2. Soulevez le levier de régulation du régime d'entraînement (B) depuis la position centrale pour que le produit se déplace vers l'avant lorsque l'engagement de l'entraînement (C) est engagé. Ne modifiez pas la vitesse lorsque le levier d'entraînement est enclenché. Cela peut endommager la transmission.

3. Abaissez le levier de régulation du régime d'entraînement depuis la position centrale pour que le produit se déplace vers l'arrière lorsque l'engagement de l'entraînement est engagé.



4. Pour que le produit se déplace dans la direction sélectionnée, maintenez l'engagement de l'entraînement (C) contre la poignée.
5. Si le produit est équipé de la direction assistée, tenez la gâchette de direction gauche (D) pour tourner à gauche. Tenez la gâchette de direction droite pour tourner à droite.

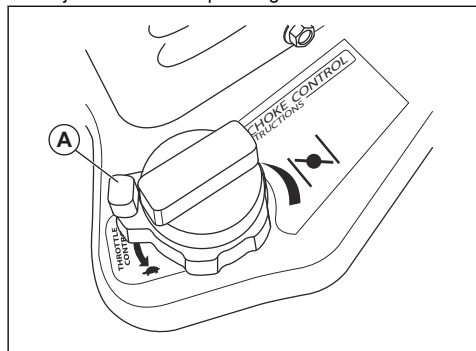


Pour arrêter le produit

1. Faites glisser l'interrupteur de marche/arrêt sur la position OFF (le cas échéant).
2. Retirez la clé de marche/arrêt.

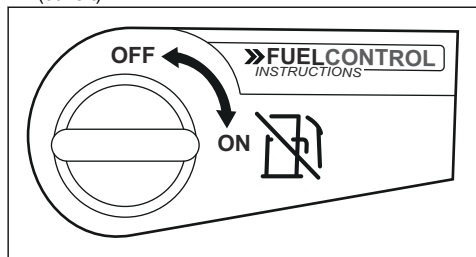
Pour utiliser la commande d'accélération

- Tournez la commande d'accélération (A) pour modifier la quantité de carburant utilisée. Utilisez toujours le moteur à plein régime.



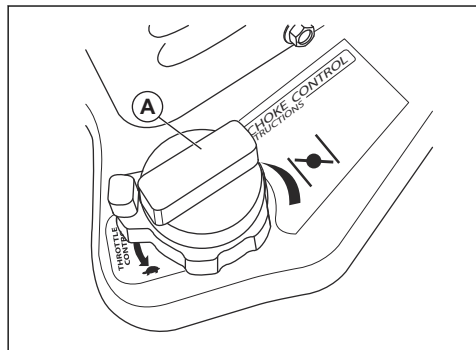
Pour utiliser l'interrupteur de carburant

- Tournez l'interrupteur de carburant pour ouvrir ou fermer le robinet de carburant. Utilisez le produit avec l'interrupteur de carburant en position OPEN (ouvert).



Pour utiliser le starter

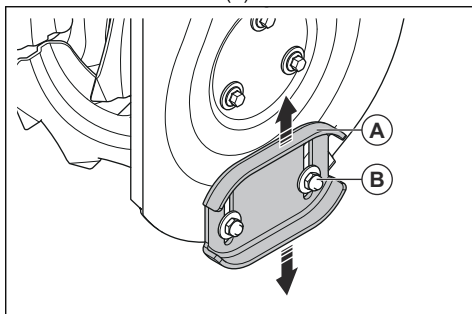
- Tournez le starter (A) pour ouvrir ou fermer la soupape du starter. Utilisez le starter pour démarrer un moteur froid.



Pour régler les plaques de protection

Aucun réglage n'est requis pour l'installation normale.

1. Lorsque le contre-écrou (B) est lâche ou que la plaque de protection (A) n'est pas suffisamment élevée au-dessus du sol, déverrouillez le contre-écrou (B) à l'aide d'une clé mixte à extrémité ouverte de 13 mm pour déplacer la plaque de protection vers le haut ou le bas.
2. Sur les surfaces planes, comme les routes goudronnées, relevez les plaques de protection (A) de 5 à 6 mm (0,2 à 0,25 po) au-dessus du sol. Sur les surfaces inégales, comme les chemins de gravier, faites en sorte que l'écart entre le sol et le produit soit plus grand grâce aux plaques de protection, de sorte que la barre du grattoir se retrouve au-dessus du haut du gravier. Veillez à ce que le gravier et les pierres n'entrent pas dans le produit. Cela pourrait occasionner des blessures si des objets sont éjectés à grande vitesse.
3. Serrez le contre-écrou (B).



Pour empêcher le gel après utilisation

Remarque: Les commandes et les pièces mobiles peuvent être bloquées par la glace. Ne forcez pas trop sur les commandes. Si vous ne pouvez pas actionner une commande ou une pièce, démarrez le moteur et laissez-le tourner pendant quelques minutes.

1. Démarrez le moteur et laissez-le tourner quelques minutes. Arrêtez le moteur et attendez que tous les organes mobiles s'immobilisent.
2. Retirez la neige et la glace lâche du produit.
3. Retirez la neige et la glace lâche à la base de la goulotte.
4. Tournez le déflecteur de la goulotte vers la gauche et vers la droite pour enlever la glace et l'eau.
5. Retirez la clé ou basculez l'interrupteur sur la position « OFF » (le cas échéant).
6. Si le produit ne possède pas de démarreur électrique, tirez la poignée du câble du démarreur plusieurs fois pour enlever la glace et l'eau.

7. Si le produit dispose d'un démarreur électrique, branchez le produit à l'alimentation et appuyez sur le bouton de démarrage une fois pour enlever la glace et l'eau.

- Sur les surfaces planes, comme les routes goudronnées, relevez les plaques de protection jusqu'à 5 à 6 mm (0,2 à 0,25 po) au-dessus du sol.
- La barre du grattoir est réversible. Lorsqu'elle est usée presque jusqu'au bord du logement, inversez-la. Remplacez la barre du grattoir si elle est endommagée ou si les deux côtés sont usés.
- N'utilisez pas le déflecteur de la goulotte s'il est bouché.
- Si le produit n'avance pas en raison de circonstances exceptionnelles, relâchez immédiatement l'engagement de l'entraînement ou mettez la clé de marche/arrêt en position OFF (arrêt).

Pour obtenir de bons résultats

- Faites toujours tourner le moteur à plein régime ou à régime presque plein.
- Adaptez toujours la vitesse du produit à la situation d'enneigement et adaptez la vitesse avec le levier de régulation du régime d'entraînement. Assurez-vous que le produit évacue la neige uniformément.
- Il est plus facile et plus efficace d'éliminer la neige immédiatement après la chute.
- Soufflez toujours la neige dans la direction du vent si possible.

Entretien

Introduction

Lorsque le produit est en cours d'utilisation, les boulons peuvent se desserrer et des composants peuvent s'user. Cela peut entraîner un dysfonctionnement comme un

mauvais jeu de tolérance, une augmentation de la consommation d'huile ou un défaut d'alignement de différents éléments. Effectuez un entretien régulier sur le produit pour éviter tout dysfonctionnement.

Calendrier de maintenance

Entretien	Au quotidien	20 heures	50 heures	100 heures
Assurez-vous que les vis et les écrous sont serrés	X			
Contrôlez le niveau d'huile moteur	X			
Vidanger l'huile ¹¹		X	X	X
Assurez-vous de l'absence de fuite d'huile ou de carburant	X			
Retirez l'obstruction ou les corps étrangers présents dans la vis sans fin	X			
Inspectez la pression des pneus ¹²			X	
Inspectez et remplacez la bougie ¹³				X

Remarque: Il n'est pas nécessaire d'ajouter de la graisse ou d'effectuer d'autres opérations d'entretien sur la boîte de vitesses.

Pour faire une inspection générale

- Assurez-vous que les vis et les écrous du produit sont serrés.

¹¹ Vidangez l'huile après les 20, 50 et 100 premières heures, puis toutes les 100 heures.

¹² Reportez-vous à la rubrique des caractéristiques techniques pour connaître la pression correcte des pneus.

¹³ Vérifiez et nettoyez la bougie tous les ans avant utilisation.

Pour contrôler le niveau d'huile



REMARQUE: Un niveau d'huile trop bas peut endommager le moteur. Contrôlez le niveau d'huile avant de démarrer le produit.

1. Placez le produit sur un sol plat.
2. Retirez le bouchon du réservoir d'huile et la jauge qui y est attachée.
3. Nettoyez l'huile sur la jauge.
4. Insérez entièrement la jauge dans le réservoir d'huile pour connaître le véritable niveau d'huile.
5. Enlevez la jauge.
6. Inspectez le niveau d'huile sur la jauge.
7. Si le niveau d'huile est bas, faites l'appoint d'huile moteur et contrôlez à nouveau le niveau d'huile.

Pour remplacer l'huile moteur

1. Faites tourner le moteur quelques minutes pour chauffer l'huile. L'huile chaude s'écoule plus facilement et emporte avec elle plus de contaminants.



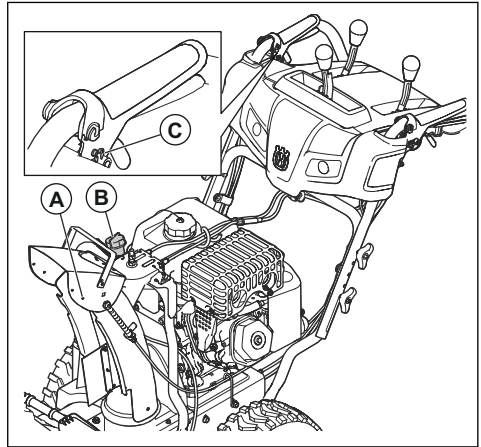
AVERTISSEMENT: L'huile du moteur est chaude. Évitez tout contact entre la peau et l'huile moteur usagée

2. Placez le produit sur un sol plat.
3. Retirez la clé de marche/arrêt.
4. Placez un récipient sous le bouchon de vidange d'huile.
5. Déposez le bouchon de vidange d'huile, faites basculer le produit et vidangez l'huile usagée dans le conteneur.
6. Remettez le produit en position de fonctionnement.
7. Installez le bouchon de vidange d'huile et serrez-le à la main.
8. Remplissez le carter d'huile (voir *Pour remplir le moteur d'huile à la page 65*).

Pour lubrifier le produit

- Lubrifiez les points de pivot (A) avec de l'huile.
- Lubrifiez le moteur (B) avec de l'huile.

- Appliquez une petite quantité de graisse au lithium sur les protubérances de verrouillage (C) au début de chaque saison ou toutes les 25 heures d'utilisation.



Silencieux

Le silencieux maintient les niveaux sonores à un minimum et envoie les gaz d'échappement loin de l'utilisateur.

N'utilisez pas ce produit si le silencieux est manquant ou défectueux. Le silencieux est en mauvais état augmente le niveau sonore et le risque d'incendie.

Examinez le silencieux régulièrement pour s'assurer qu'il est correctement connecté et qu'il n'est pas endommagé.



REMARQUE: Le silencieux devient très chaud pendant et après utilisation et lorsque le moteur fonctionne au ralenti. Faites attention à proximité des matériaux inflammables et/ou des fumées afin d'éviter tout risque d'incendie.

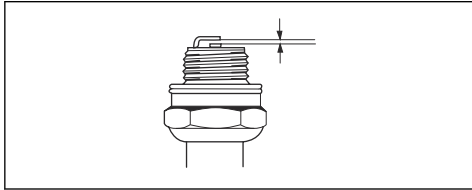
Pour vérifier la bougie



REMARQUE: Utilisez toujours le type de bougie recommandé. Un type de bougie inadéquat peut endommager le produit.

- Inspectez la bougie si le moteur manque de puissance, n'est pas facile à démarrer ou ne fonctionne pas correctement lorsqu'il tourne au régime de ralenti.
- Afin de réduire le risque de matériaux indésirables présents sur les électrodes de la bougie, procédez comme suit :
 - a) Assurez-vous que le régime de ralenti est correctement réglé.

- b) Assurez-vous que le mélange de carburant est correct.
- c) Assurez-vous que le filtre à air est propre.
- Si la bougie est encrassée, nettoyez-la et vérifiez que l'écartement des électrodes est correct, consultez les *Caractéristiques techniques à la page 80*.



- Remplacez la bougie si nécessaire.

Pour inspecter les vis sans fin et la barre du grattoir

1. Avant chaque utilisation, vérifiez l'absence d'usure sur les vis sans fin et la barre du grattoir.
2. Si le bord de la barre du grattoir est usé, inversez la barre du grattoir. Si la barre du grattoir est endommagée ou est usée sur les deux bords, remplacez-la.
3. Si les bords des vis sans fin sont usés, contactez un centre de service agréé pour les remplacer.

Pour remplacer les goupilles de tonte de la vis sans fin

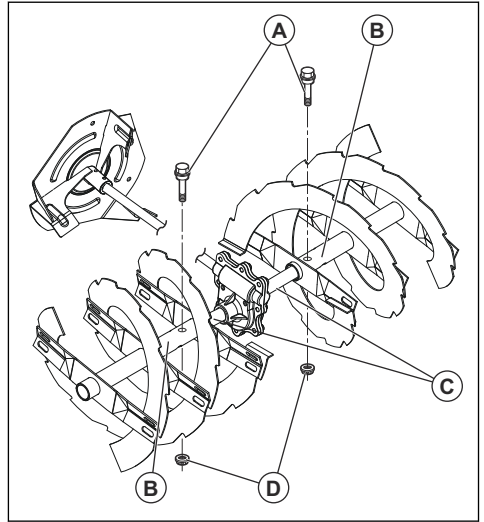
Les goupilles de tonte de la vis sans fin préservent le produit de tout dommage. Les goupilles de tonte de la vis sans fin se cassent si un objet s'insère dans les pièces mobiles.



REMARQUE: Utilisez uniquement les goupilles de tonte de l'équipement d'origine fournies avec le produit.

1. Si une goupille de tonte de la vis sans fin se casse, arrêtez le moteur et attendez que les pièces mobiles s'immobilisent.
2. Retirez la clé MARCHE/ARRÊT et débranchez le câble de la bougie.
3. Alignez l'orifice du moyeu de la vis sans fin (B) sur l'orifice de l'arbre de la vis sans fin (C) et installez une goupille de tonte neuve de ¼ - 20 x 2 (A)

4. Installez un contre-écrou de ¼-20 (D) et serrez.



5. Insérez la clé MARCHE/ARRÊT dans le système d'allumage puis connectez le câble de la bougie à la bougie.

Pour remplacer les goupilles de tonte de la roue à ailette

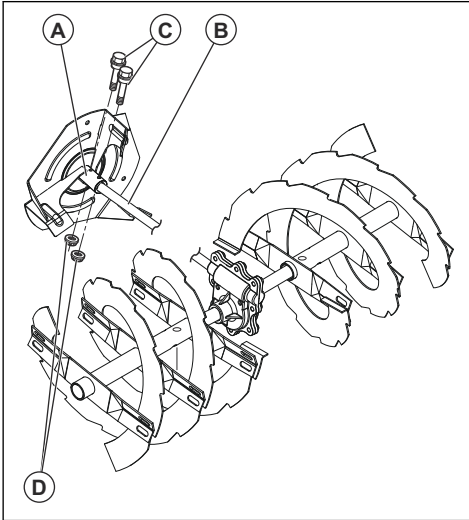
Les goupilles de tonte de la roue à ailette préservent le produit de tout dommage. Les goupilles de tonte de la roue à ailette se cassent si un objet s'insère dans les pièces mobiles.



REMARQUE: Utilisez uniquement les goupilles de tonte de l'équipement d'origine fournies avec le produit.

1. Si une goupille de tonte de la roue à ailette se casse, arrêtez le moteur et attendez que les pièces mobiles s'immobilisent.
2. Retirez la clé MARCHE/ARRÊT et débranchez le câble de la bougie.
3. Alignez l'orifice du moyeu de la roue à ailette (A) sur l'orifice de l'arbre de la roue à ailette (B) et installez une goupille de tonte neuve de ¼-20 (C).

4. Installez un contre-écrou de ¼-20 (D) sur la goupille de tonte et serrez.



5. Insérez la clé MARCHE/ARRÊT dans le système d'allumage puis connectez le câble de la bougie à la bougie.

Pour examiner les pneus

- Évitez que les pneus entrent en contact avec du carburant, de l'huile et des produits chimiques pour ne pas endommager le caoutchouc.
- Maintenez les pneus à l'écart des souches, des pierres, des ornières, des objets pointus et de tout autre objet pouvant les endommager.
- Conservez une pression correcte des pneus (consultez *Caractéristiques techniques à la page 80*).

Pour déboucher un déflecteur de goutte

Ne débouchez pas le déflecteur de goutte avant d'avoir réalisé les opérations suivantes.

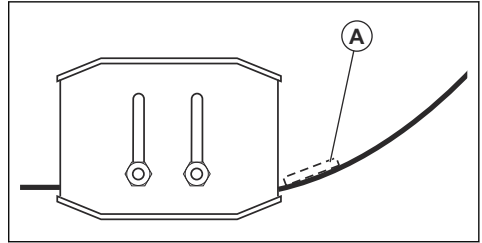
1. Relâchez l'engagement de la vis sans fin et l'engagement de l'entraînement en même temps.
2. Attendez 10 secondes pour vous assurer que les vis sans fin se sont immobilisées.
3. Arrêtez le produit.
4. Utilisez l'outil de nettoyage (au moins 15 pouces de long, inclus dans certains modèles) pour déposer le bouchon.



AVERTISSEMENT: Ne mettez pas les mains dans le déflecteur de goutte ou à l'intérieur du carter de la vis sans fin.

Pour remplacer la barre du grattoir

1. Placez la barre du grattoir (A) en position inverse lorsqu'elle est usée sur le bord du carter.



2. Remplacez la barre du grattoir si elle est usée des deux côtés ou si elle est endommagée.

Courroies d'entraînement



AVERTISSEMENT: Les courroies trapézoïdales de votre produit sont de conception spéciale et doivent être remplacées par un fabricant d'équipement d'origine (OEM). Des courroies sont disponibles auprès de votre centre de service le plus proche. L'utilisation d'autres courroies que celles d'un OEM peut causer des blessures ou des dégâts sur le produit.



AVERTISSEMENT: Le remplacement de la courroie nécessite le démontage du produit. Tout en séparant le carter de la vis sans fin du châssis, il est important qu'un assistant se tienne en position de fonctionnement et maintienne les poignées du produit. Des blessures graves et/ou des dommages au produit pourraient se produire si le produit tombe pendant le remplacement de la courroie.

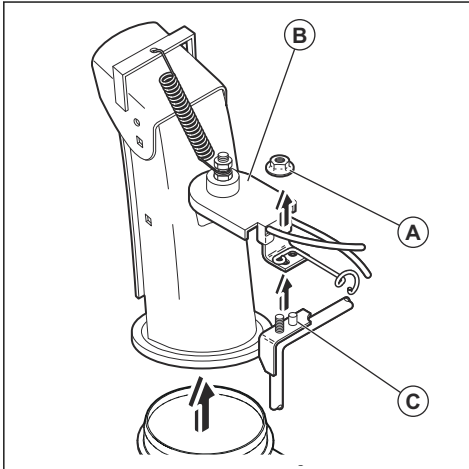
Remarque: Les courroies d'entraînement de traction et de la vis sans fin ne sont pas réglables. Remplacez les courroies si elles sont endommagées ou si elles commencent à glisser à cause de l'usure. Il est recommandé de faire remplacer les courroies par un centre de service agréé.

Remarque: Il est recommandé de remplacer la courroie d'entraînement et la courroie de vis sans fin en même temps.

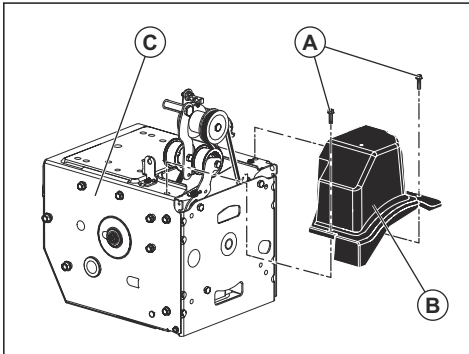
Pour préparer le remplacement des courroies

1. Vidangez le carburant du réservoir de carburant.

2. Desserrez le contre-écrou (A) qui fixe la tête de rotation de la goulotte (B) sur le support de montage (C) afin de déposer la goulotte d'éjection.



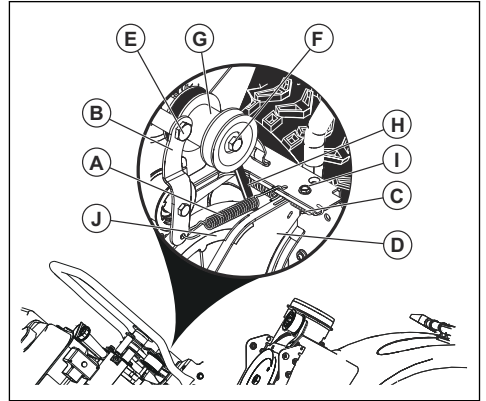
3. Desserrez les deux vis (A) qui maintiennent le carter de la courroie (B) sur le châssis (C) et enlevez le carter de la courroie.



Pour déposer la courroie d'entraînement

1. Déposez la courroie de la vis sans fin. Consultez la section *Pour retirer la courroie de vis sans fin à la page 74.*

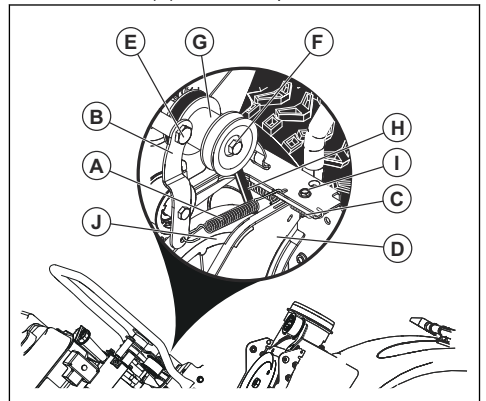
2. Déposez le ressort du tendeur (A) fixé sur le bras du tendeur de courroie d'entraînement (B).



3. Déposez le ressort de rappel (C) qui maintient la plaque de basculement (D) en place.
4. Déposez le boulon du bras (E) et le bras du tendeur de courroie d'entraînement.
5. Déposez le boulon de la poulie (F), la poulie du moteur (G) et la courroie d'entraînement (H) du moteur.
6. Déposez le boulon supérieur (I) qui maintient la plaque de basculement sur le châssis
7. Faites pivoter et maintenez la plaque de basculement à l'écart du produit, puis déposez la courroie d'entraînement de la poulie d'entraînement (J).

Pour installer la courroie d'entraînement

1. Faites pivoter et maintenez la plaque de basculement (D) à l'écart du produit.



2. Placez la courroie d'entraînement (H) sur la poulie d'entraînement (J).

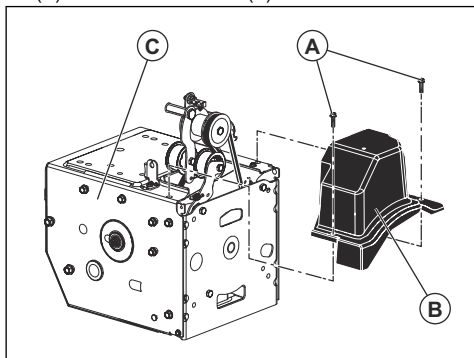
Remarque: Assurez-vous que la courroie d'entraînement est correctement acheminée dans la

rainure de la poulie d'entraînement avant d'abaisser la plaque de basculement.

3. Installez et serrez le boulon supérieur (I).
4. Placez la courroie d'entraînement dans la rainure de la poulie du moteur (G) avant de l'installer sur l'arbre du moteur.
5. Installez le boulon de la poulie (F) et fixez la poulie du moteur sur le moteur. Serrez le boulon de poulie (30-35 pi. /41-47 Nm).
6. Installez le bras du tendeur de courroie d'entraînement (B) et serrez le boulon du bras (E) sur le moteur.
7. Installez le ressort de rappel (C) sur la plaque de basculement.
8. Installez le ressort du tendeur (A) sur le bras du tendeur.
9. Actionnez toutes les commandes pour vous assurer que la courroie d'entraînement est correctement installée et que tous les composants se déplacent correctement.

Pour installer le carter de la courroie

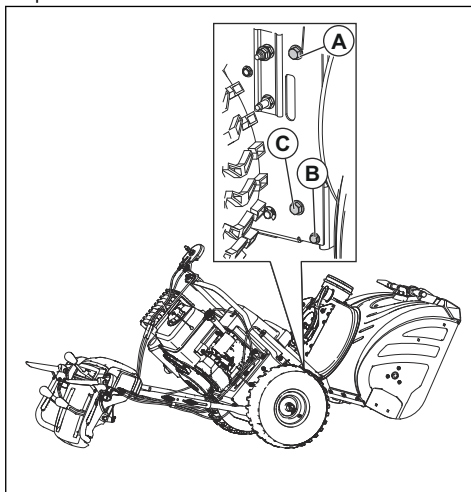
1. Installez le carter de la courroie (B) sur le châssis (C) et serrez les deux vis (A).



2. Installez la goulotte d'éjection.

Pour retirer la courroie de vis sans fin

1. Retirez les boulons 5/16" (A) et les boulons inférieurs 1/4" (B) des deux côtés du châssis. Ne jetez pas les boulons.



2. Desserrez, sans les retirer, les boulons inférieurs de 5/16" (C) des deux côtés du châssis.
3. Retirez la courroie de vis sans fin de la poulie du moteur.
4. Inclinez la partie arrière vers le bas. La partie avant s'incline vers l'avant en même temps. Le boulon de la partie inférieure (C) est une charnière entre les sections avant et arrière.
5. Placez une cale de bois sous le point de charnière pour incliner le produit.
6. Déplacez le bras du tendeur de courroie de la vis sans fin et retirez la courroie de vis sans fin autour du bras.

Pour installer la courroie de vis sans fin

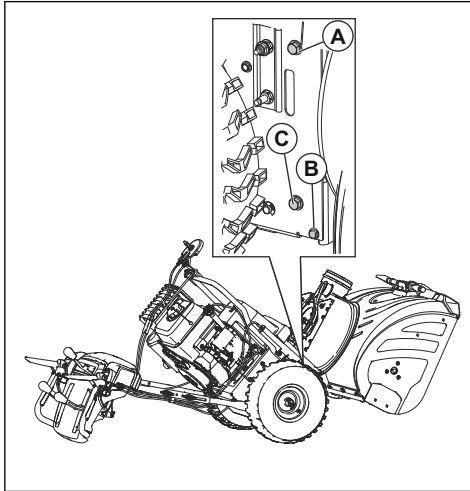
1. Déplacez le bras du tendeur de courroie de la vis sans fin et placez la courroie de vis sans fin dans la rainure de la poulie de la vis sans fin.



REMARQUE: Assurez-vous que la courroie n'est pas bloquée entre le châssis et le carter de la vis sans fin lors de l'assemblage de l'unité.

2. Retirez la cale de bois placée sous le produit.
3. Levez la poignée pour incliner la partie arrière vers le haut. La partie avant s'incline vers l'arrière et pivote pour se fixer à la partie arrière.
4. Assurez-vous que la courroie est correctement placée dans la rainure de la poulie de la vis sans fin.

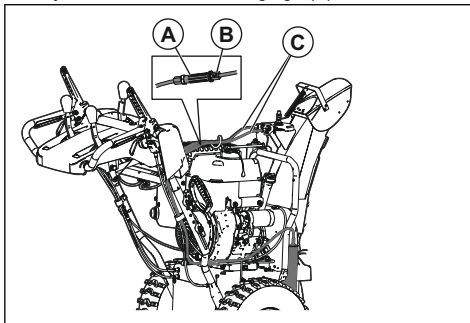
5. Installez les boulons 5/16" (A), (C) et serrez-les (8-12 ft lbs / 11-16 Nm).



6. Installez les boulons 1/4" (B) et serrez-les (4-6 ft lbs / 5-8 Nm).
7. Installez la courroie de vis sans fin sur la poulie du moteur. Assurez-vous que la courroie est placée correctement autour de la poulie folle et installée correctement dans la rainure de la poulie du moteur.
8. Actionnez toutes les commandes pour s'assurer que la courroie de vis sans fin est correctement installée et que tous les composants se déplacent correctement.

Pour régler la tension du câble du déflecteur de la goulotte d'éjection

1. Desserrez les écrous de blocage (B) pour régler la tension du câble pour la goulotte d'éjection adjacente au tendeur de réglage (A).

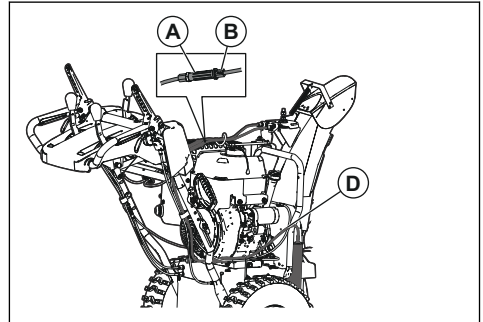


2. Maintenez la section courte et tournez la section longue pour augmenter le dispositif de réglage.
3. Réglez jusqu'à ce que le câble pour le déflecteur de la goulotte d'éjection (C) soit bien serré. Serrez les écrous de blocage.

Pour régler le câble de commande de la vis sans fin

Remarque: Si vous ne vous sentez pas à l'aise pour effectuer ce réglage vous-même, veuillez contacter un centre d'entretien agréé. Des réglages peuvent être nécessaires si la rotation de la roue à ailette et de la vis sans fin est très lente lors de l'engagement du levier de commande de la vis sans fin, ou si la courroie de vis sans fin a été remplacée.

1. Desserrez les écrous de blocage (B) près du ridoir (A) pour régler la tension du câble de commande de la vis sans fin (D).



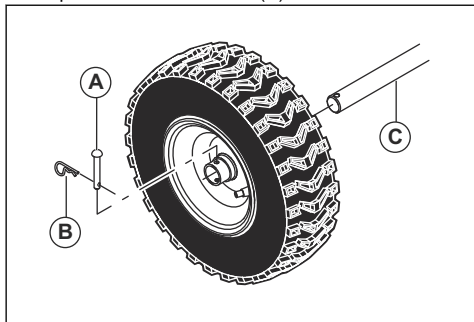
2. Tenez la section courte et tournez la section longue. Tournez-la à 360 degrés.
3. Testez l'engagement de la vis sans fin. Renouvelez le réglage jusqu'à ce que la tension à l'intérieur du câble soit faible lorsque le levier est désengagé.
4. Serrez l'écrou de blocage de la partie inférieure afin de verrouiller la tension.
5. Demandez à un assistant de se tenir à 10 pieds / 3 mètres devant le produit, du côté opposé de la goulotte. L'assistant observe la rotation de la vis sans fin et mesure le temps nécessaire à la vis sans fin pour arrêter de tourner lorsque le levier est relâché. Si la vis sans fin s'arrête de tourner au bout de 5 secondes, ajustez le câble en faisant tourner le cylindre central de 360 degrés, de façon à serrer le dispositif de réglage. Testez l'engagement de la vis sans fin et mesurez à nouveau le temps d'arrêt. Si la vis sans fin s'arrête de tourner en moins de 5 secondes, passez à l'étape suivante.
6. Serrez l'écrou de blocage sur le câble de la vis sans fin.

Remarque: Si le réglage ne résout pas le problème, remplacez la courroie de la vis sans fin. Consultez la section *Pour retirer la courroie de vis sans fin à la page 74.*

Pour déposer les roues

1. Déposez l'axe de la roue (A) et la goupille de retenue (B).

2. Déposez la roue de l'arbre (C).



Pour nettoyer le produit

- Nettoyez les éléments en plastique avec un chiffon sec et propre.
- N'utilisez pas de nettoyeur haute pression pour le nettoyage du produit.
- Ne jetez pas d'eau directement sur le moteur.
- Utilisez une brosse pour enlever les feuilles, l'herbe et la saleté.

Dépannage

Dépannage

Problème	Cause possible	Solution
Le produit ne démarre pas	La clé de contact n'est pas insérée.	Insérez la clé de contact.
	Le produit est en panne de carburant.	Faites le plein de carburant.
	La clé de marche/arrêt est en position STOP (arrêt).	Mettez la clé de marche/arrêt sur la position ON (marche).
	Le starter est en position arrêt (CLOSE [fermé]).	Mettez le starter en position marche (FULL [plein], OPEN [ouvert]).
	L'amorceur n'est pas enfoncé.	Appuyez sur l'amorceur.
	Le moteur est noyé.	Patiencez quelques minutes avant de redémarrer, n'actionnez PAS l'amorceur. Redémarrez le moteur à plein régime et avec le starter en position arrêt (CLOSE [fermé]).
	Le câble de la bougie n'est pas branché.	Branchez le câble à la bougie.
	La bougie d'allumage est défectueuse.	Remplacez la bougie.
	De l'eau est présente dans le carburant ou le carburant est trop vieux.	Videz le réservoir de carburant et le carburateur. Faites le plein de carburant.
	De la vapeur est bloquée dans la conduite de carburant.	Vérifiez que l'intégralité de la conduite de carburant est acheminée en dessous de la sortie du réservoir de carburant. La conduite de carburant doit être acheminée vers le bas, du réservoir de carburant vers le carburateur.
	Autres causes.	Étudiez attentivement les procédures de démarrage dans ce manuel.
	L'interrupteur de carburant (le cas échéant) est en position fermée (OFF).	Mettez l'interrupteur de carburant en position ouverte (ON).
L'accélération est en position STOP (arrêt).	Positionnez l'accélération en position FAST (rapide).	

Problème	Cause possible	Solution
Puissance réduite	Le câble de la bougie n'est pas branché.	Branchez le câble à la bougie.
	Le produit souffle trop de neige.	Diminuez la vitesse et la largeur de la surface balayée.
	Le bouchon du réservoir de carburant est couvert de glace ou de neige.	Enlevez la glace ou la neige sur et autour du bouchon de réservoir de carburant.
	Le silencieux est sale ou bouché.	Nettoyez ou remplacez le silencieux.
	La longueur du câble n'est pas la bonne.	Ajustez le câble.
	Le silencieux est obstrué.	Assurez-vous que le moteur est froid. Dégagez l'obstruction.
	La prise d'air du carburateur est bloquée.	Assurez-vous que le moteur est froid. Dégagez l'obstruction.
Le moteur tourne au ralenti ou a des ratés	Le starter est en position marche (FULL [plein], OPEN [ouvert]).	Mettez le starter en position arrêt (CLOSE [fermé]).
	La conduite de carburant est obstruée.	Nettoyez la conduite de carburant.
	De l'eau est présente dans le carburant ou le carburant est trop vieux.	Videz le réservoir de carburant et le carburateur. Faites le plein de carburant.
	Le carburateur doit être remplacé.	Contactez un centre de service agréé.
	La courroie est tendue.	Remplacez la courroie trapézoïdale de la vis sans fin.
Vibration excessive/jeu de la poignée	Certaines pièces sont desserrées. Les vis sans fin sont endommagées.	Serrez toutes les fixations. Remplacez les pièces endommagées. Si les vibrations persistent, contactez un centre de service agréé.
	Les poignées ne sont pas correctement positionnées.	Assurez-vous que les poignées sont verrouillées en position.
	Les écrous du levier de réglage sont desserrés.	Serrez les écrous jusqu'à ce que la poignée soit sécurisée.
La poignée du câble du démarreur est difficile à tirer.	La poignée du câble du démarreur a gelé.	Tirez doucement sur le câble pour en sortir autant que possible du démarreur et relâchez la poignée du câble du démarreur. Si le moteur ne démarre pas, répétez la procédure ou utilisez le démarreur électrique.
	Le câble du démarreur interfère avec des pièces.	Le câble du démarreur ne doit pas toucher les câbles ou les tuyaux.

Problème	Cause possible	Solution
Perte de traction/ralentissement de la vitesse d'entraînement Absence ou ralentissement de l'éjection de la neige	La courroie glisse.	Ajustez le câble. Ajustez la courroie.
	La courroie est usée.	Vérifiez/remplacez la courroie. Ajustez la poulie.
	La courroie n'est plus sur la poulie.	Vérifiez/remplacez la courroie. Ajustez la poulie.
	Le déflecteur de goulotte est colmaté.	Nettoyez le déflecteur de goulotte.
	Des corps étrangers bouchent les vis sans fin.	Retirez les débris ou le corps étranger dans les vis sans fin.
	La goupille de tonte est cassée.	Remplacez la goupille de tonte cassée.
	Accumulation excessive de neige et de glace entre les éléments des chenilles.	Éliminez la neige et la glace accumulée entre les éléments des chenilles.
	La roue d'entraînement de friction est usée.	Contactez un centre de service agréé.
	Le disque de friction est humide.	Laissez le disque de friction sécher.
Échec de rotation de la vis sans fin après avoir relâché la poignée	La courroie d'entraînement n'est pas alignée.	Réglez la courroie d'entraînement.
	Le déflecteur d'éjection n'est pas aligné.	Ajustez le déflecteur d'éjection.
L'éclairage n'est pas allumé (selon l'équipement)	Le moteur ne tourne pas.	Démarrez le moteur.
	Le câble de connexion est desserré.	Vérifiez les branchements du câble au niveau du moteur et des feux.
	La LED est grillée.	Remplacez le module de témoins LED. Les LED individuelles ne peuvent pas être remplacées.
Le rotateur de la goulotte est difficile à déplacer.	Des débris sont présents dans le mécanisme de rotation de la goulotte.	Nettoyez les composants internes du mécanisme de rotation de la goulotte.
	Les câbles sont entortillés ou endommagés.	Assurez-vous que les câbles ne sont pas entortillés. Remplacez les câbles endommagés.
Le produit se déporte d'un côté.	La pression des pneus est inégale.	Réglez la pression des pneus et gonflez le pneu.
	Le produit n'est entraîné que par une seule roue.	Inspectez la goupille de blocage des pneus.
	Réglage du glissement irrégulier.	Réglez les plaques de protection et le traîneau.
	Réglage des plaques de protection irrégulières.	Réglez les plaques de protection et le traîneau.

Transport, entreposage et mise au rebut

Transport et stockage

- Pour le stocker et transporter le produit et le carburant, assurez-vous qu'il n'y a pas de fuite ou de vapeurs. Les étincelles ou les flammes nues produites par exemple par des appareils électriques ou chaudières peuvent provoquer un incendie.
- Utilisez uniquement des récipients homologués pour le transport et le stockage de carburant.
- Videz le réservoir de carburant avant de remettre le produit pendant une longue période. Mettez le carburant au rebut dans une déchetterie appropriée
- Sécurisez le produit lors de son transport pour éviter tout dommage ou accident.
- Conservez le produit dans un endroit verrouillé afin que des enfants ou personnes qui ne sont pas autorisées à l'utiliser ne puissent pas y avoir accès.

- Conservez le produit dans un endroit sec et à l'abri du gel.

Mise au rebut

- Respectez les consignes locales de recyclage et la réglementation en vigueur.
- Mettez au rebut tous les produits chimiques tels que l'huile moteur ou le carburant à un centre d'entretien ou à une déchetterie appropriée.
- Lorsque vous n'utilisez plus le produit, renvoyez-le à un Husqvarnaconcessionnaire ou mettez-le au rebut dans une déchetterie.

Caractéristiques techniques

Caractéristiques techniques

Remarque: Toutes les informations, images et spécifications sont caractéristiques du produit et

uniquement fournies à titre indicatif. Elles peuvent être modifiées sans préavis suite à des améliorations du produit.

	ST 224	ST 227P	ST 230P
Dimensions			
Poids, lb / kg	198,6 / 90	212 / 96	237,8 / 108
Pression maximale de fonctionnement des pneus, PSI	18	18	20
Moteur			
Marque / Modèle	LCT	LCT	LCT
Cylindrée, cm ³	208	254	291
Type de carburant	Ordinaire sans plomb (10 % d'éthanol maximum)		
Contenance en carburant, gallons / litres	0,31 / 1,17	0,35 / 1,33	0,62 / 2,35
Huile	SAE 5W30 (en dessous de 0 °C (32 °F))		
Contenance en huile, onces / litres	16 / 0,47	20 / 0,59	32 / 0,95
Système électrique			
Bougie	F6RTC ou F7RTC, écart : 0,030" (0,762 mm)		
Émissions sonores ¹⁴			
Niveau de puissance sonore mesuré dB (A)	105	105	105
Niveau de puissance sonore, garanti L _{WA} dB(A)	105	105	105

¹⁴ Émissions sonores dans l'environnement mesurées comme puissance sonore (L_{WA}) selon les directives européennes 2000/14/CE et 2005/88/CE.

	ST 224	ST 227P	ST 230P
Niveaux sonores			
Niveau de pression sonore à l'oreille de l'utilisateur, dB(A)	88,4	88,4	88,4
Niveaux de vibration, a_{hveq}¹⁵			
Niveau de vibrations sur la poignée, en m/s ²	5,74	4,89	4,66

¹⁵ Niveau de vibrations conforme à la norme ISO 5349-2 EN 1033.

Déclaration de conformité CE

CONTENU DE LA DÉCLARATION DE CONFORMITÉ DE LA CE

Nous, Husqvarna, SE-561 82 Huskvarna, SUÈDE,
déclarons sous notre responsabilité exclusive que le
produit représenté :

Description	Souffleuse à neige
Marque	Husqvarna
Plate-forme / Type / Modèle	ST 224, ST 227P, ST 230P
Lot	Numéro de série à partir de 2018

est entièrement conforme à la réglementation et aux
directives de l'UE suivantes :

Directive/Réglementation	Description
2006/42/EC	« relative aux machines »
2014/30/UE	« relative à la compatibilité électromagnétique »
2000/14/CE ; 2005/88/CE	« relative au bruit extérieur »

Les normes harmonisées et/ou les spécifications
techniques appliquées sont comme suit :

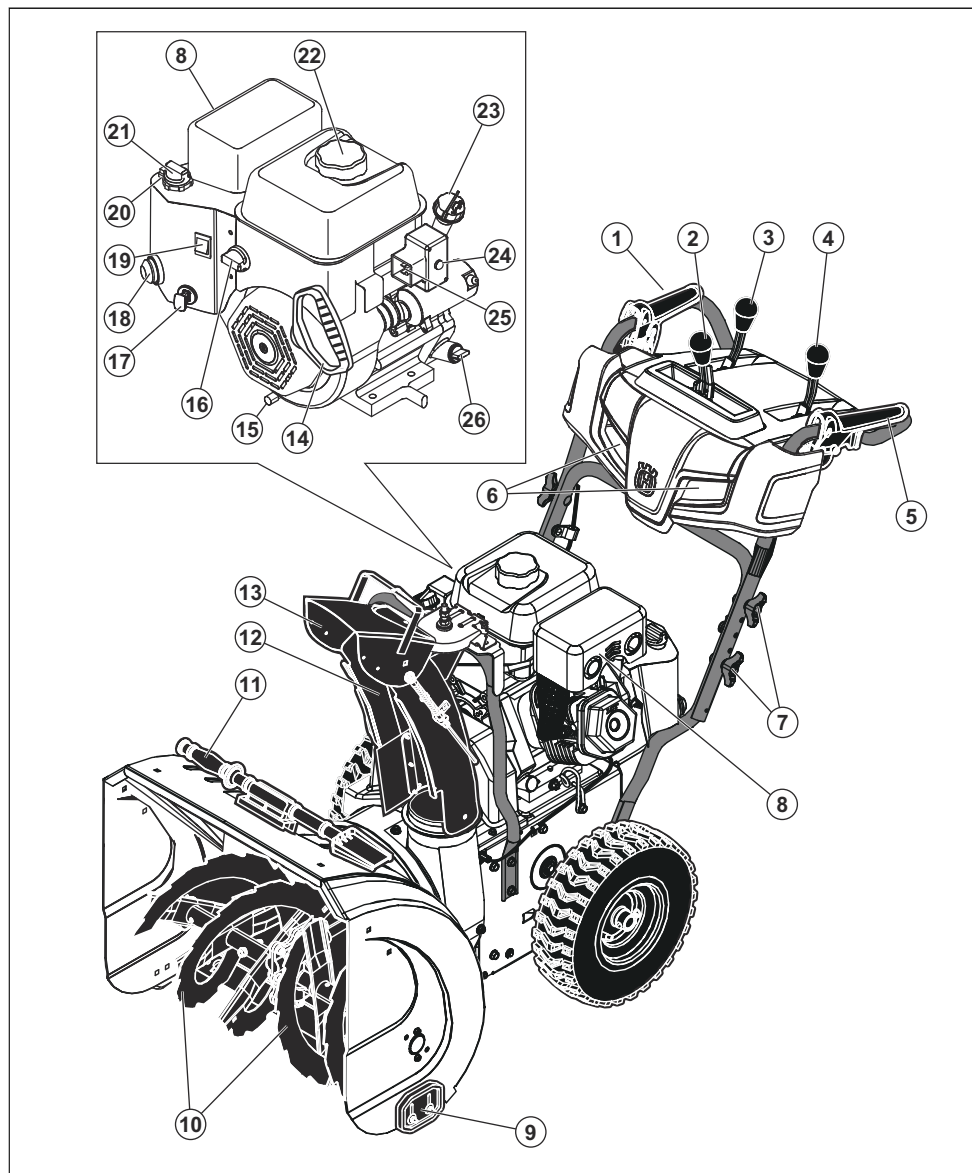
Conformément à la directive 200/14/CE, Annexe V, les
valeurs déclarées saines sont stipulées dans la section
Données techniques de ce manuel et dans la
Déclaration de Conformité signée de la CE.

La souffleuse à neige fournie correspond à l'exemplaire
soumis à l'examen.

Contenido

Introducción.....	84	Resolución de problemas.....	105
Seguridad.....	87	Transporte, almacenamiento y eliminación.....	108
Montaje.....	90	Datos técnicos.....	108
Funcionamiento.....	93	Declaración de conformidad CE.....	110
Mantenimiento.....	97		

Descripción del producto



1. Acoplamiento del sinfín
2. Palanca de control del conducto de expulsión

3. Palanca de control de la velocidad de la transmisión
4. Palanca de control remoto del deflector

5. Engranado de la transmisión
6. Luz
7. Perilla del mango
8. Silenciador
9. Disco protector
10. Sinfines
11. Herramienta de limpieza
12. Conducto de expulsión
13. Conductor del deflector
14. Empuñadura de la cuerda de arranque
15. Tapón de drenaje de aceite
16. Interruptor de combustible
17. Llave de encendido/apagado
18. Cebador
19. Interruptor de encendido/apagado (ST 227P, ST 230P)
20. Control del acelerador
21. Estrangulador
22. Tapón de llenado de gasolina
23. Boca de llenado y varilla de nivel de aceite (ST 227P, ST 230P)
24. Botón de arranque eléctrico
25. Conexión de arranque eléctrico
26. Boca de llenado y varilla de nivel de aceite (ST 224)

Descripción del producto

Este producto es un quitanieves con ruedas que se utiliza para retirar la nieve del suelo.

Uso previsto

Este producto puede utilizarse para retirar la nieve de campos, carreteras, caminos y vías de acceso. No lo use en pendientes superiores a 20°. No utilice el producto en zonas donde haya muchos residuos, suciedad y piedras prominentes.

Símbolos que aparecen en el producto

Nota: Si las etiquetas del producto están dañadas, póngase en contacto con el distribuidor para sustituirlas.



Advertencia.



Lea el manual de instrucciones.



Motor encendido



Motor apagado.



Rápido.



Lento.



Estrangulador.



Cebador



Aceite.



Combustible.



Precaución.



Directiva europea de máquinas sobre seguridad.



Girar a la izquierda.



Girar a la derecha.



Ajuste de la altura del sinfín.



Soplador apagado.



Soplador encendido



Tracción desactivada.



Tracción activada.



No desmonte las protecciones mientras el motor está en marcha.



Se recomienda utilizar protectores auriculares.



Nivel de potencia acústica.



1 Llave de encendido/apagado. Introdúzcala para arrancar la máquina y hacerla funcionar.



Estrangulador cerrado (arranque).



Cebador



4 Tire de la empuñadura de la cuerda de arranque para poner en marcha la máquina.



Estrangulador abierto (funcionamiento).



6 Llave de encendido/apagado. Extráigala para parar la máquina.



No realice ninguna operación en pendientes de más de 10 grados.



Retire el cable de la bujía antes del mantenimiento.



Superficie caliente.



Válvula de cierre de combustible.



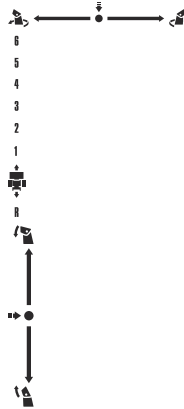
Advertencia, mantenga las manos alejadas.



Advertencia, mantenga los pies alejados.



Tenga cuidado con los objetos que salgan despedidos. Mantenga alejados a los transeúntes.



Girar a la izquierda/empujar hacia abajo/girar a la derecha.

Avance/retroceso.

Arriba/Abajo.

Responsabilidad sobre el producto

Como se estipula en las leyes de responsabilidad del producto, no nos hacemos responsables de los daños y perjuicios causados por nuestro producto si:

- El producto se ha reparado incorrectamente.
- El producto se ha reparado con piezas que no eran del fabricante o no autorizadas por el fabricante.
- El producto tiene un accesorio que no es del fabricante o no está autorizado por este.

- El producto no se ha reparado en un centro de servicio autorizado o por un organismo homologado.

Seguridad

Definiciones de seguridad

Las definiciones siguientes indican el nivel de gravedad para cada palabra de señalización de riesgo.



ADVERTENCIA: Lesiones a personas.



PRECAUCIÓN: Daños en el producto.

Nota: Esta información hace que el producto sea más fácil de usar.

Instrucciones generales de seguridad

- Use el producto correctamente. Las lesiones o la muerte son un posible resultado de un uso incorrecto. Utilice el producto solo para las tareas indicadas en este manual. No utilice el producto para otras tareas.
 - Respete las instrucciones de este manual. Respete los símbolos de seguridad y las instrucciones de seguridad. Si el operador no respeta las instrucciones y los símbolos, pueden producirse lesiones, daños materiales o la muerte.
 - No se deshaga de este manual. Utilice las instrucciones para montar su producto, utilizarlo y mantenerlo en buen estado. Utilice las instrucciones para la correcta instalación de los complementos y accesorios. Utilice únicamente complementos y accesorios autorizados.
 - No utilice un producto dañado. Respete el programa de mantenimiento. Realice solamente el trabajo de mantenimiento indicado en las instrucciones de este manual. Todos los demás trabajos de mantenimiento debe hacerlos un centro de servicio autorizado.
 - Este manual no puede incluir todas las situaciones que pueden producirse cuando utilice el producto. Proceda con cuidado y utilice el sentido común. No utilice el producto ni realice el mantenimiento del producto si no está seguro de cuál es la situación. Hable con un experto en el producto, su distribuidor, un taller de servicio o centro de servicio autorizado para obtener información.
 - Desconecte el cable de la bujía antes de montar el producto, almacenarlo o realizar tareas de mantenimiento.
 - No utilice el producto si se ha modificado respecto de sus especificaciones iniciales. No cambie una parte del producto sin la autorización del fabricante.
- Utilice únicamente las piezas que están autorizadas por el fabricante. Las lesiones o la muerte son un posible resultado de un mantenimiento incorrecto.
- No inhale los vapores del motor. La inhalación a largo plazo de los gases de escape supone un riesgo para la salud.
 - Nunca arranque el producto en interiores ni cerca de material inflamable. Los gases de escape están calientes y pueden contener una chispa que puede iniciar un incendio. Una circulación de aire insuficiente puede causar lesiones o la muerte por asfixia o inhalación de monóxido de carbono.
 - Al utilizar este producto, el motor emite un campo electromagnético. El campo electromagnético puede provocar daños en implantes médicos. Consulte a su médico y al fabricante del implante médico antes de usar el producto.
 - No deje que un niño maneje el producto. No permita que nadie maneje el producto sin conocer las instrucciones.
 - Si una persona con discapacidad física o mental usa el producto, asegúrese de supervisarla en todo momento. Debe haber presente en todo momento una persona mayor de edad responsable.
 - Cierre con llave el producto en un área a la que no puedan acceder las personas no autorizadas ni los niños.
 - El producto puede proyectar objetos con fuerza y causar lesiones. Respete las instrucciones de seguridad para reducir el riesgo de lesiones o muerte.
 - No deje desatendido el producto con el motor encendido.
 - El operador del producto es el responsable si se produce un accidente.
 - Antes y mientras camina hacia atrás, mire hacia atrás y al suelo para ver si hay niños, animales o cualquier otro riesgo que pueda hacerle caer.
 - Asegúrese de que las piezas no estén dañadas antes de utilizar el producto.
 - Asegúrese de que se encuentra a una distancia mínima de 15 m (50 pies) de otras personas o animales antes de utilizar el producto. Asegúrese de que cualquier persona que se encuentre cerca sabe que va a usar el producto.
 - Consulte las leyes nacionales o locales. Pueden prohibir o limitar el funcionamiento del producto en circunstancias determinadas.

Instrucciones de seguridad para el funcionamiento

- No coloque manos ni pies cerca ni debajo de las piezas giratorias. Manténgase siempre alejado de la compuerta de descarga.
- Tenga sumo cuidado cuando trabaje o camine por entradas, paseos o caminos de grava. Manténgase alerta ante peligros ocultos o tráfico.
- Si golpea un objeto extraño, detenga el motor, desconecte el cable de la bujía, desconecte el cable si el motor es eléctrico, inspeccione atentamente el producto en busca de daños y, si existen, repárelos antes de volver a poner en marcha y utilizar el producto.
- Si el producto comenzase a vibrar anormalmente, detenga el motor y compruebe inmediatamente el motivo. La vibración suele ser un síntoma de la existencia de algún problema.
- Detenga el motor cuando abandone la posición de conducción, antes de desatascar el alojamiento del sinfín o el deflector del conducto, y cuando realice reparaciones, ajustes o inspecciones.
- Cuando limpie, repare o revise el producto, detenga el motor y compruebe que los sinfines y todas las piezas móviles se han detenido. Desconecte el cable de la bujía y manténgalo alejado de ella para evitar que alguien ponga en marcha el motor de manera accidental.
- No haga funcionar el motor en un recinto cerrado a menos que lo haga solo para arrancarlo o para sacar o guardar el producto en un edificio. Abra las puertas al exterior; los gases de escape son nocivos.
- Tenga sumo cuidado al desplazarse en pendientes.
- Nunca utilice el producto sin protecciones adecuadas ni los demás dispositivos de protección en su sitio y operativos.
- No dirija el deflector del conducto hacia personas o zonas donde puedan causarse daños materiales. Mantenga alejados a los niños y demás personas.
- No sobrecargue la capacidad del producto al intentar eliminar nieve a una velocidad excesiva.
- No desplace el producto a gran velocidad en superficies resbaladizas. Mire hacia atrás y tenga cuidado cuando retroceda.
- Desconecte la alimentación de los sinfines cuando desplace o no utilice el producto.
- Utilice únicamente accesorios homologados por el fabricante del producto (por ejemplo, los pesos de las ruedas, contrapesos o cabinas).
- Nunca haga funcionar el producto si la visibilidad o la iluminación no son adecuadas. Pise siempre con cuidado y mantenga las asas aferradas con firmeza. Camine, en ningún caso corra.
- No toque el motor ni el silenciador si están calientes.

Seguridad en el área de trabajo

- Inspeccione detenidamente la zona donde va a utilizar el equipo y retire alfombrillas, trineos, tableros, cables y todo tipo de objetos.
- Desconecte todos los embragues y ponga el cambio en punto muerto antes de arrancar el motor.
- No utilice el producto sin llevar una indumentaria adecuada para el invierno. No utilice ropa holgada que pueda quedar atrapada entre las piezas móviles. Utilice calzado que facilite el desplazamiento por superficies resbalosas.
- Maneje el combustible con cuidado, es muy inflamable.
 - Utilice un recipiente para combustible homologado.
 - Nunca añada combustible a un motor en marcha o caliente.
 - Llene el depósito de combustible en el exterior y con mucho cuidado. Nunca llene el depósito en interiores.
 - Nunca llene recipientes dentro de un vehículo ni sobre una camioneta o un remolque con revestimientos plásticos. Antes de llenar los recipientes colóquelos en el suelo, alejados del vehículo.
 - Cuando resulte práctico, retire el equipo con motor de gasolina de la camioneta o el remolque y recargue el depósito en el suelo. Si tal cosa no es posible, recargue el equipo en el remolque con un recipiente portátil, en lugar de hacerlo con una boquilla de dispensador de gasolina.
 - Mantenga la boquilla en contacto permanente con el borde del depósito de combustible o la abertura del recipiente hasta terminar la recarga. No use los dispositivos de bloqueo de la boquilla del surtidor.
 - Vuelva a colocar el tapón de gasolina con firmeza y limpie los restos de combustible vertido.
 - Si se derrama gasolina en su ropa, cámbiese inmediatamente.
- Utilice los cables prolongadores y enchufes especificados por el fabricante de las unidades con motores de tracción o de arranque eléctricos.
- Ajuste la altura del alojamiento del sinfín de tal forma que quede cierta separación entre este y la superficie de grava o roca triturada.
- Nunca intente realizar ajustes con el motor en marcha (excepto cuando lo recomiende específicamente el fabricante).
- Utilice siempre gafas de seguridad o protección para los ojos durante el funcionamiento o al realizar ajustes o reparaciones, con el fin de proteger los ojos de los objetos extraños que puede despedir la máquina.

Equipo de protección personal

Utilice siempre el equipo de protección personal adecuado cuando utilice el producto. Esto incluye, como mínimo, calzado robusto, protección ocular y protectores auriculares. El equipo de protección personal no elimina el riesgo de lesiones, pero reduce su efecto en caso de accidente.

- Utilice siempre gafas de seguridad o protección ocular cuando use el producto o realice tareas de mantenimiento o reparación.
- Utilice siempre una indumentaria apropiada para el invierno cuando trabaje con el producto.
- Utilice siempre botas de trabajo antideslizantes con refuerzos en los tobillos cuando trabaje con el producto.
- No lleve ropa suelta que pueda quedar atrapada en las piezas móviles.
- Utilice guantes protectores homologados si es necesario. Por ejemplo, al acoplar, revisar o limpiar la hoja.
- Utilice siempre protección auditiva homologada mientras utiliza el producto. La exposición al ruido durante un periodo de tiempo prolongado puede causar pérdida de audición.

Dispositivos de seguridad en el producto

- Asegúrese de efectuar regularmente el mantenimiento del producto.
 - La vida útil del producto aumenta.
 - El riesgo de accidentes disminuye.
- Deje que un concesionario autorizado o un centro de servicio autorizado examine regularmente el producto para realizar ajustes o reparaciones.
- No utilice un producto con equipo de protección dañado. Si el producto está dañado, hable con un centro de servicio autorizado.

Silenciador

El silenciador mantiene al mínimo los niveles de ruido y aparta los gases de escape del operador.

No utilice el producto si el silenciador no está instalado o está defectuoso. Un silenciador defectuoso aumenta el nivel de ruido y el riesgo de incendio.

Examine el silenciador con frecuencia para asegurarse de que está montado correctamente y que no está dañado.



PRECAUCIÓN: El silenciador se calienta mucho durante y después de su uso, y cuando el motor funciona a ralentí. Tenga cuidado cerca de materiales inflamables o gases para evitar incendios.

Seguridad en el uso del combustible



ADVERTENCIA: Lea las siguientes instrucciones de advertencia antes de utilizar el producto.

- No arranque el producto si está manchado con combustible o aceite del motor. Retire el combustible/aceite no deseado y deje secar el producto.
- Si derrama combustible sobre la ropa, cámbiese inmediatamente.
- Evite el contacto con el combustible; puede provocarle lesiones. Si entra en contacto con el combustible, utilice agua y jabón para eliminar el combustible.
- No arranque el motor si el producto tiene una fuga. Examine frecuentemente si hay fugas en el motor.
- Tenga cuidado con el combustible. El combustible es inflamable, sus vapores son explosivos y puede provocar lesiones o la muerte.
- No inhale los vapores de combustible, ya que pueden causar lesiones. Asegúrese de que hay ventilación suficiente.
- No fume cerca del combustible o el motor.
- No coloque objetos calientes cerca del combustible o el motor.
- No agregue el combustible con el motor encendido.
- Asegúrese de que el motor esté frío antes repostar.
- Antes de repostar, abra la tapa del depósito de combustible lentamente y deje salir el exceso de presión con cuidado.
- No añada combustible al motor en interiores. Una circulación de aire insuficiente puede causar lesiones o la muerte por asfixia o inhalación de monóxido de carbono.
- Apriete el tapón del depósito de combustible completamente. Si el tapón del depósito de combustible no se aprieta, existe riesgo de incendio.
- Antes de arrancarlo, lleve el producto a 3 m (10 pies) de distancia como mínimo del punto en el que llenó el depósito.
- No ponga demasiado combustible en el depósito de combustible.

Instrucciones de seguridad para el mantenimiento



ADVERTENCIA: Lea las siguientes instrucciones de advertencia antes de utilizar el producto.

- Los gases de escape del motor contienen monóxido de carbono, que es un gas inodoro, tóxico y muy peligroso. No arranque el motor en interiores ni en espacios cerrados.

- Antes de realizar el mantenimiento del producto, detenga el motor y desconecte el cable de encendido de la bujía.
- Utilice guantes protectores cuando realice el mantenimiento de las hojas. Las hojas están muy afiladas y se pueden producir cortes con mucha facilidad.
- Los accesorios y modificaciones en el producto que no estén aprobados por el fabricante pueden causar daños graves o la muerte. No modifique el producto. Utilice siempre accesorios autorizados por el fabricante.
- Si el mantenimiento no se realiza correctamente y de forma regular, aumenta el riesgo de lesiones y daños en el producto.
- Realice únicamente las tareas de mantenimiento que se indican en este manual de usuario. Todos los demás trabajos de mantenimiento deben llevarse a cabo en un taller de servicio autorizado.
- Lleve el producto a un taller de servicio autorizado para realizar el mantenimiento de forma regular.
- Cambie las piezas dañadas, desgastadas o rotas.

Montaje

Extracción del producto de su embalaje

1. Saque las piezas sueltas que acompañan al producto. Corte las cuatro esquinas del embalaje de cartón y apoye los paneles en el suelo.
2. Retire los dos tornillos que sujetan el alojamiento del sinfín al palé. Retire los soportes de acero de las planchas protectoras en caso de que las hubiera.
3. Retire todos los materiales de embalaje.
4. Saque el producto del embalaje y asegúrese de que no queden piezas sueltas en él.



Contratuerca de 3/8 (1)



Guía de cable (1)



Pasadores de seguridad de 1/4-20 x 1-3/4 (6)



Contratuercas de 1/4-20 (6)



Contratuerca de 5/16-18 (1)



Contratuerca de 1/4-20 (1)



Arandela de nailon (1)



Perno de 5/16-18 x 5/8 (1)

Piezas sueltas



Mando (3)



Conducto de expulsión (1)



Llave de encendido/apagado (s)



Pernos de 5/16-18 x 2 1/4 pulg. (2)



Pomos del manillar (2)



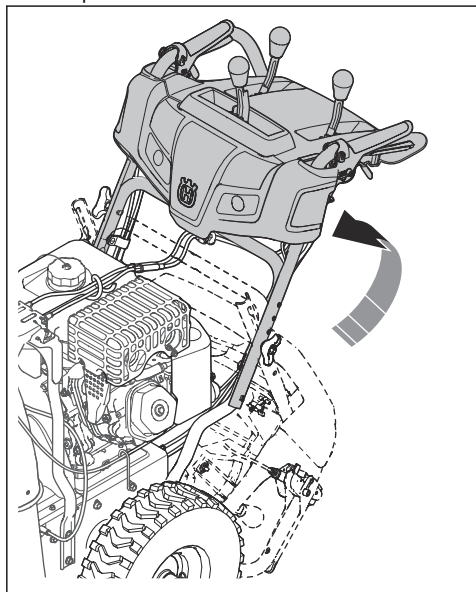
Muelle (1)



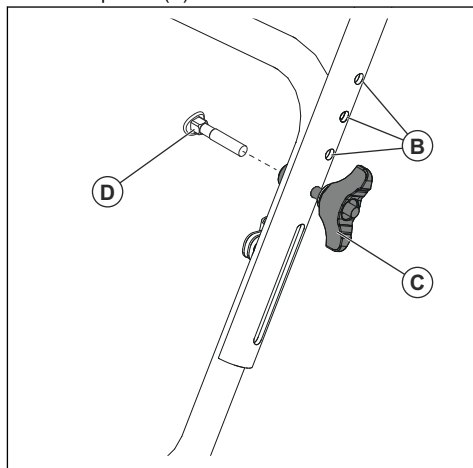
Perno de tope de ¼-20 (1)

Instalación del manillar

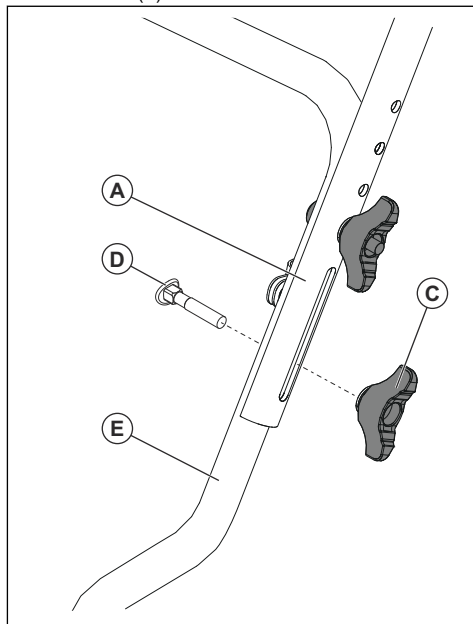
1. Levante la parte superior del manillar para ponerla en la posición de funcionamiento.



2. Ajuste la posición del manillar en uno de los orificios de montaje (B) y apriete los pomos del manillar (C) con los pernos (D).

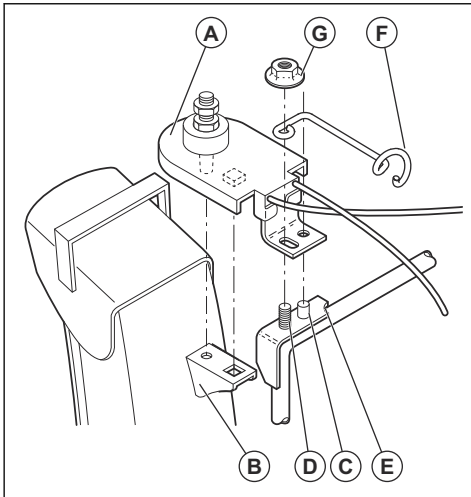


3. Instale pernos (D) y pomos (C) adicionales para fijar la parte superior del manillar (A) a la parte inferior del manillar (E).

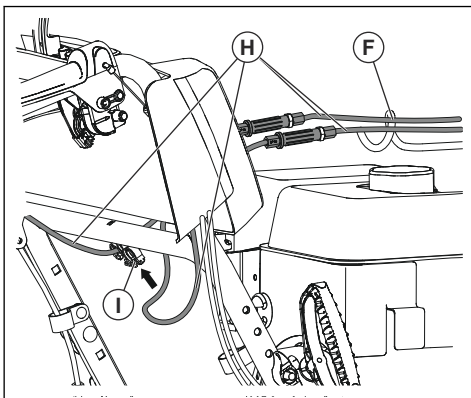


Instalación del deflector del conducto y del cabezal del rotador del conducto

1. Coloque el conjunto del deflector del conducto en la parte superior de la base del conducto con la abertura de descarga orientada hacia la parte frontal del producto.
2. Coloque el cabezal del rotador del conducto (A) en el soporte del conducto (B). Gire el conjunto del conducto para alinear los pasadores situados debajo del cabezal del rotador del conducto con los orificios del soporte del conducto si es necesario.
3. Coloque el cabezal del rotador del conducto en el pasador (C) y en la varilla roscada (D) del soporte de montaje (E).
4. Coloque una contratuerca (G) en la varilla roscada y aprétela.

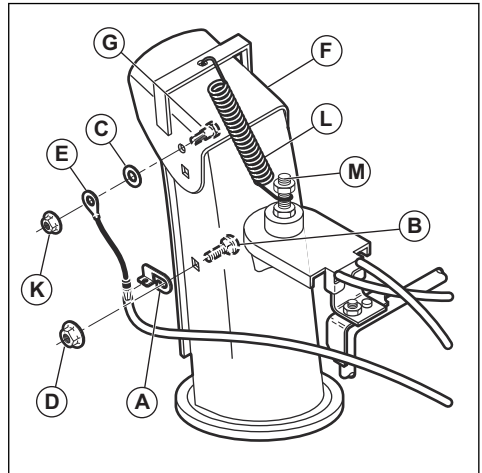


5. Pase los cables por la guía de cable (F) y el clip doble (I) para fijar el cable del rotador (H) a la parte inferior del manillar.

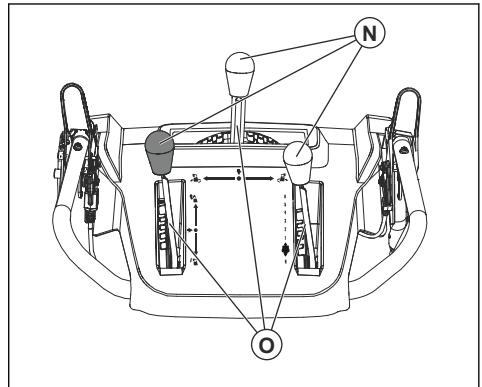


Instalación del control remoto del deflector del conducto

1. Fije el soporte del cable remoto (A) al conducto de expulsión con un perno (B) y una contratuerca de 5/16-18 (D). Apriete el perno.
2. Instale el ojal del cable remoto (E) en el deflector del conducto (F) con un perno de tope (G) y una arandela de nailon (C), y apriételo con una contratuerca de 1/4-20 (K). El ojal del cable quedará suelto en el perno de tope.
3. Fije el muelle (L) entre la tuerca hexagonal (M) del cabezal del rotador del conducto y el orificio del deflector del conducto.



4. Fije los pomos de las palancas de control (N); para ello, presiónelos sobre las palancas de control (O).



Funcionamiento

Antes de arrancar el producto

- Asegúrese de que no haya personas ni animales en la zona de trabajo.
- Realice el mantenimiento diario. Consulte *Programa de mantenimiento en la página 97*.
- Asegúrese de que el cable de encendido está colocado correctamente en la bujía.
- Añada aceite o gasolina, si es necesario. Consulte *Datos técnicos en la página 108*.

Llenado del motor con aceite



PRECAUCIÓN: No gire la varilla de nivel cuando compruebe el nivel de aceite. No llene por encima de la marca.

1. Quite el tapón del depósito de aceite y limpie la varilla de nivel. Consulte *Descripción del producto en la página 84* para conocer la ubicación de la varilla de nivel.
2. Añada aceite hasta alcanzar la marca superior de la varilla de nivel. Utilice la varilla de nivel para comprobar de forma periódica el nivel de aceite.
3. Vuelva a colocar el tapón del depósito de aceite.

Repostaje de combustible

Si es posible, utilice de gasolina de bajas emisiones/alquilatos. Si no puede utilizar gasolina de bajas emisiones/alquilatos, utilice una gasolina sin plomo o gasolina con plomo de buena calidad. Fuera de Norteamérica, utilice gasolina con un octanaje de 90 RON o más (87 AKI en Norteamérica) y con un máximo de 10 % de etanol (E10).

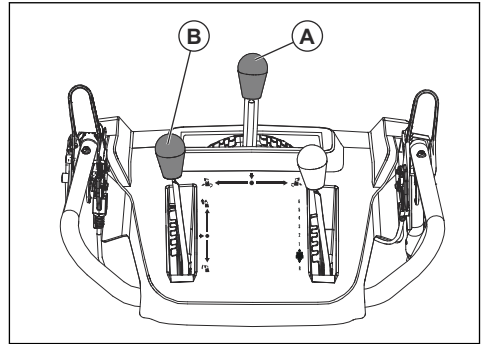


PRECAUCIÓN: No utilice gasolina con un octanaje inferior a 90 RON fuera de Norteamérica (87 AKI en Norteamérica). Esto puede provocar daños en el producto.

1. Abra el tapón del depósito de combustible lentamente para liberar la presión.
2. Llene lentamente con una lata de combustible. Si derrama combustible, límpielo con un paño y deje que el combustible restante se seque.
3. Limpie la zona de alrededor del tapón del depósito de combustible.
4. Apriete el tapón del depósito de combustible completamente. Si el tapón del depósito de combustible no se aprieta, existe riesgo de incendio.
5. Antes de arrancarlo, lleve el producto a 3 m (10 pies) de distancia como mínimo del punto en el que llenó el depósito.

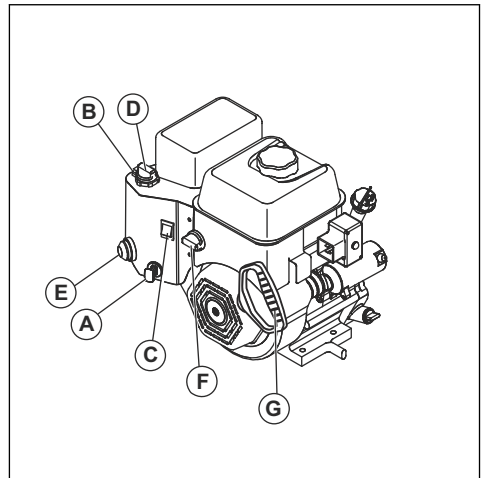
Ajuste del conducto de expulsión y el deflector del conducto

1. Para ajustar la posición del conducto de expulsión, mueva la palanca de control del conducto de expulsión (A) hacia atrás y hacia la izquierda o la derecha.
2. Para ajustar la distancia a la que el deflector del conducto expulsará la nieve, mueva la palanca de control remoto del deflector (B) hacia abajo para disminuir la distancia y hacia arriba para aumentar la distancia.



Arranque manual del motor

1. Introduzca la llave de encendido/apagado (A) en la ranura de encendido hasta que oiga un clic. No gire la llave.



2. Coloque el interruptor de activación/desactivación del combustible (F) en la posición ON (activación).

3. Sitúe el acelerador (B) en la posición FAST (alta velocidad).
4. Sitúe el interruptor de encendido/apagado (C) en la posición ON (si está instalado).
 - a) Si el motor está frío, gire el estrangulador (D) a la posición FULL (máximo) y accione el cebador (E) tres veces.



PRECAUCIÓN: No cebe en exceso el motor. Podría dificultar el arranque del motor. Si el motor se ceba en exceso, espere unos minutos antes de intentar arrancarlo y no presione el cebador.

5. Tire de la empuñadura de la cuerda de arranque (G).



PRECAUCIÓN: Evite que la empuñadura se retraiga rápidamente. Devuélvala a la posición inicial lentamente.

Nota: Si la cuerda de arranque se ha congelado, saque lentamente toda la cuerda que sea posible y suelte la empuñadura de la cuerda de arranque. Si el motor no arranca, repita el procedimiento o utilice el mecanismo de arranque eléctrico.

6. Si ha tenido que utilizar el estrangulador (D) para arrancar el motor, muévelo lentamente a la posición OFF (apagado).
7. Haga funcionar el motor 2-3 minutos a ralentí antes de trabajar con el quitanieves.
8. Si el motor no funciona como debería, apáguelo.

Arranque eléctrico del motor



ADVERTENCIA: El producto cuenta con un mecanismo de arranque eléctrico de 230 V CA. No utilice el mecanismo de arranque eléctrico si la instalación de su casa no cuenta con tres hilos, toma a tierra y 230 V CA. Podrían producirse lesiones personales graves o daños en el producto. El mecanismo de arranque eléctrico está equipado con un enchufe de alimentación de tres hilos y está diseñado para funcionar con corriente de 230 V CA. Asegúrese de que la instalación de su casa cuente con tres hilos, toma a tierra y 230 V CA. Si tiene dudas, pregunte a un electricista cualificado.

1. Introduzca la llave de encendido/apagado (A) en la ranura de encendido hasta que oiga un clic. No gire la llave.
2. Coloque el interruptor de activación/desactivación del combustible (F) en la posición ON (activación).
3. Sitúe el acelerador (B) en la posición FAST (alta velocidad).

4. Sitúe el interruptor de encendido/apagado (C) en la posición ON (si está instalado).
 - a) Si el motor está frío, coloque el estrangulador (D) en la posición FULL (máximo).
5. Presione el cebador (E) tres veces.



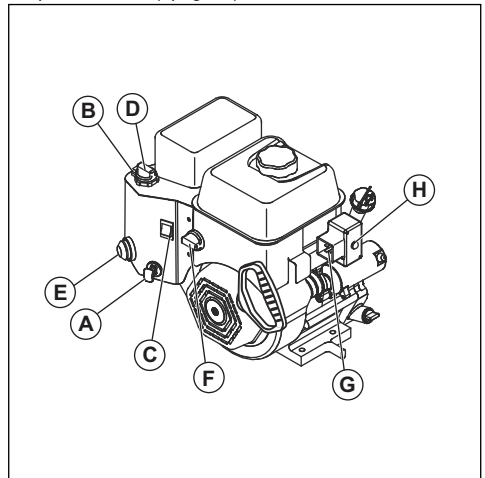
PRECAUCIÓN: No cebe en exceso el motor. Podría dificultar el arranque del motor. Si el motor se ceba en exceso, espere unos minutos antes de intentar arrancarlo y no presione el cebador.

6. Conecte el cable prolongador al conector del motor (G).
7. Conecte el otro extremo del cable prolongador a una toma de corriente de tres terminales de 230 V CA con conexión a tierra.
8. Pulse el botón de arranque eléctrico (H) hasta que el motor se ponga en marcha.



PRECAUCIÓN: No intente arrancar el motor dejando menos de cinco segundos entre un intento y otro. Espere entre 5 y 10 segundos entre cada intento.

9. Si ha tenido que utilizar el estrangulador (D) para arrancar el motor, suelte el botón de arranque eléctrico y coloque lentamente el estrangulador en la posición OFF (apagado).



10. Desconecte el cable prolongador de la toma de corriente en primer lugar y, a continuación, del motor.
11. Haga funcionar el motor 2-3 minutos a ralentí antes de bajar con el quitanieves.

Manejo del producto



PRECAUCIÓN: No utilice el quitanieves si no hay nieve o agua para lubricar las hojas del sinfín. Si no se usa correctamente, las hojas del sinfín podrían recalentarse, especialmente si el producto es nuevo. Esto puede causar daños en las hojas del sinfín y en el faldón rascador.

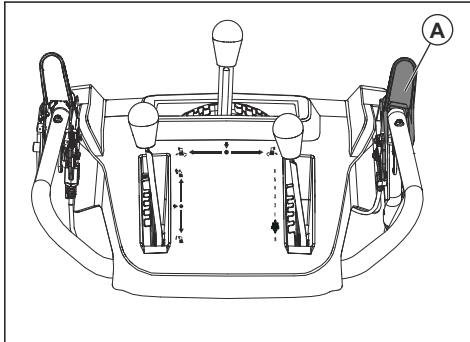


PRECAUCIÓN: No acople parcialmente las palancas del sinfín o de la transmisión durante un periodo excesivo de tiempo; esto puede provocar el desgaste prematuro de las correas o que estas se quemen.

Nota: Cuando se acople tanto el acoplamiento de la transmisión como el del sinfín, el acoplamiento de la transmisión fijará la posición del acoplamiento del sinfín. Utilice la mano derecha para manejar el conducto de expulsión de nieve.

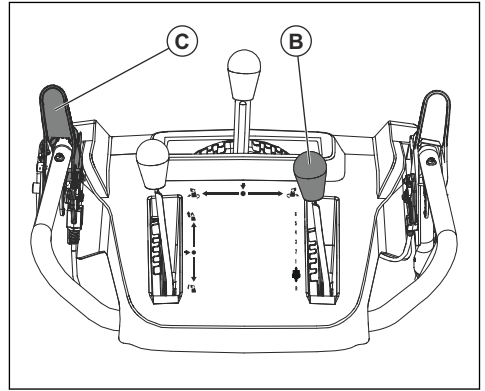
Nota: No cambie la velocidad si la palanca de control acoplada. Esto puede provocar daños en la transmisión.

1. Para acoplar las hojas del sinfín, empuje el acoplamiento del sinfín (A) hacia el manillar para acoplar el sinfín y poner en marcha el quitanieves.

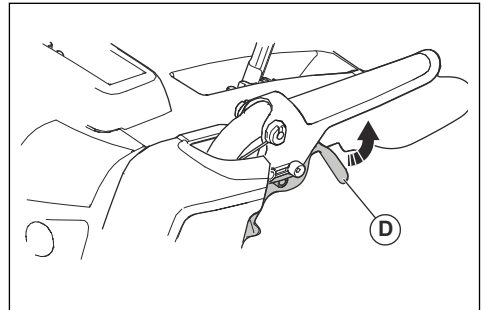


2. Levante la palanca de control de velocidad de la transmisión (B) de la posición intermedia para que el producto se mueva hacia adelante cuando el acoplamiento de la transmisión (C) esté activado. No cambie la velocidad si la palanca de control acoplada. Esto puede provocar daños en la transmisión.

3. Baje la palanca de control de velocidad de la transmisión de la posición intermedia para que el producto se mueva hacia atrás cuando el acoplamiento de la transmisión esté activado.



4. Para que el producto se mueva en el sentido seleccionado, sujete el acoplamiento de la transmisión (C) contra el manillar.
5. Si el producto cuenta con dirección asistida, accione el mando de dirección izquierdo (D) para girar a la izquierda. Accione el mando de dirección derecho para girar a la derecha.

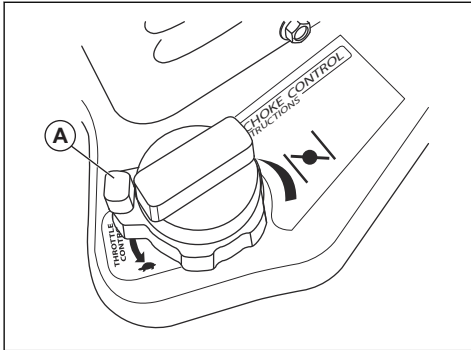


Para detener el producto

1. Deslice el interruptor de encendido/apagado a la posición OFF (si está instalado).
2. Quite la llave de encendido/apagado.

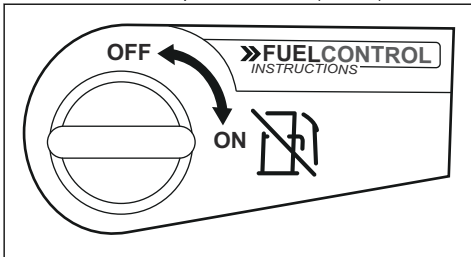
Uso del acelerador

- Accione el acelerador (A) para regular la cantidad de combustible utilizado. Haga funcionar siempre el motor a aceleración máxima.



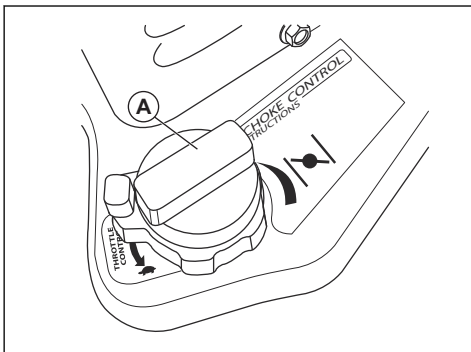
Uso del interruptor de combustible.

- Accione el interruptor de combustible para abrir o cerrar el paso de combustible. Cuando utilice el producto, el interruptor de combustible debe encontrarse en la posición OPEN (abierto).



Uso del estrangulador

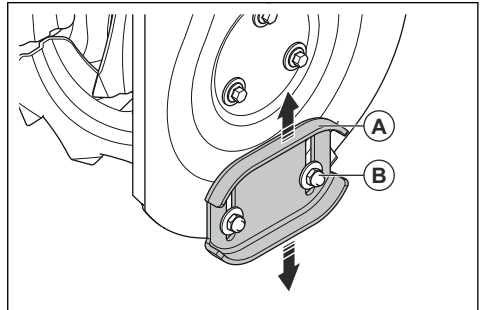
- Accione el estrangulador (A) para abrir o cerrar la válvula estranguladora. Use el estrangulador para arrancar un motor frío.



Ajuste de las planchas protectoras

En una instalación normal, no es necesario realizar ajustes.

1. Si la contratuerca (B) está floja o la plancha protectora (A) no está a una altura suficiente con respecto al suelo, afloje la contratuerca (B) con una llave fija de 13 mm para subir o bajar la plancha protectora.
2. En terrenos llanos, como carreteras de asfalto, separe las planchas protectoras (A) 5-6 mm (0,2-0,25 in) del suelo. En superficies irregulares, como caminos de grava, la separación entre el suelo y las planchas protectoras del producto debe ser mayor para que el faldón rascador pase por encima de la grava. Evite la entrada de piedras y grava en el producto. Si algún objeto sale despedido a alta velocidad, puede provocar lesiones personales.
3. Apriete la contratuerca (B).



Evitar la congelación tras el uso

Nota: El hielo puede bloquear las piezas móviles y los mandos. No fuerce en exceso los mandos. Si no accionar un mando o mover un componente, ponga en marcha el motor y déjelo funcionar unos minutos.

1. Arranque el motor y déjelo en marcha unos minutos. Detenga el motor y espere a que se detengan todas las piezas móviles.
2. Quite la nieve y el hielo suelto del producto.
3. Quite la nieve y el hielo suelto de la base del conducto.
4. Mueva el deflector del conducto a la izquierda y a la derecha para retirar el hielo y el agua.
5. Quite la llave o cambie la posición del interruptor basculante a "OFF" (si está instalado).
6. Si el producto no cuenta con mecanismo de arranque eléctrico, tire de la empuñadura de la cuerda de arranque varias veces para retirar el hielo y el agua.
7. Si el producto cuenta con un mecanismo de arranque eléctrico, conecte el producto a la red eléctrica y pulse el botón de arranque una vez para retirar el hielo y el agua.

Para obtener un buen resultado

- Haga funcionar siempre el motor a aceleración máxima o casi a aceleración máxima.
- Adapte siempre la velocidad del producto a las condiciones de la nieve y ajuste la velocidad con la palanca de control de velocidad de la transmisión. Asegúrese de que el producto expulsa la nieve de manera uniforme.
- Es más fácil y eficaz retirar la nieve justo después de nevar.
- Siempre que sea posible, arroje la nieve en la dirección del viento.
- En terrenos llanos, como carreteras de asfalto, separe las planchas protectoras a un máximo de 5-6 mm (0,2-0,25 in) del suelo.
- El faldón rascador es reversible. Cuando se haya desgastado prácticamente hasta el borde del alojamiento, puede darle la vuelta. Cambie el faldón rascador si está dañado o si se ha desgastado por ambos lados.
- No envíe el deflector del conducto si está obstruido.
- Si el producto no se mueve hacia delante debido a circunstancias imprevistas, desactive el acoplamiento de la transmisión de inmediato o coloque la llave de encendido/apagado en la posición OFF (apagado).

Mantenimiento

Introducción

A usar el producto, los pernos pueden aflojarse y los componentes pueden desgastarse. Esto puede causar

averías y fallos como valores incorrectos de holgura, mayor consumo de aceite o desalineación de varios componentes. Para evitar averías, someta periódicamente el producto a labores de mantenimiento.

Programa de mantenimiento

Mantenimiento	Diario	20 horas	50 horas	100 horas
Asegúrese de que las tuercas y los tornillos están bien apretados	X			
Compruebe el nivel de aceite del motor	X			
Cambie el aceite ¹⁶		X	X	X
Asegúrese de que no haya fugas de combustible o aceite	X			
Retire cualquier obstrucción u objeto extraño del sinfín	X			
Compruebe la presión de los neumáticos ¹⁷			X	
Revise y cambie la bujía ¹⁸				X

Nota: No es necesario añadir grasa ni llevar a cabo otros trabajos de mantenimiento en la caja de cambios.

Para realizar una inspección general

- Asegúrese de que las tuercas y los tornillos del producto estén bien apretados.

¹⁶ Cambie el aceite después de las primeras 20 h, 50 h, 100 h y luego cada 100 h.

¹⁷ Consulte los datos técnicos para conocer la presión correcta de los neumáticos.

¹⁸ Compruebe y limpie la bujía antes de su uso cada año.

Para realizar una comprobación del nivel de aceite



PRECAUCIÓN: Un nivel de aceite demasiado bajo puede causar daños en el motor. Compruebe el nivel de aceite antes de arrancar el producto.

1. Coloque el producto sobre una superficie nivelada.
2. Retire el tapón del depósito de aceite con la varilla de nivel acoplada.
3. Limpie el aceite de la varilla de nivel de aceite.
4. Introduzca la varilla de nivel totalmente en el depósito de aceite para obtener un resultado correcto del nivel de aceite.
5. Quite la varilla de nivel.
6. Compruebe el nivel de aceite que indica la varilla de nivel.
7. Si el nivel de aceite es bajo, llene con aceite de motor y vuelva a comprobar el nivel de aceite.

Sustitución del aceite del motor

1. Mantenga el motor en marcha durante unos minutos para calentar el aceite. El aceite caliente fluye mejor y transporta más contaminantes.



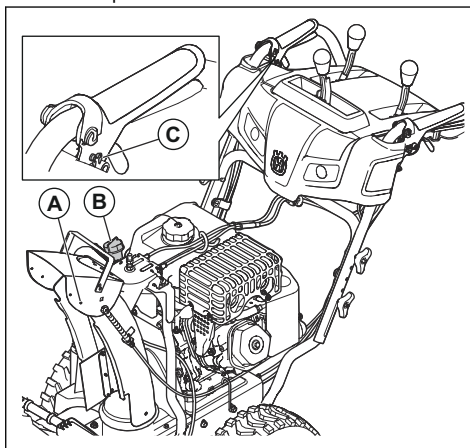
ADVERTENCIA: El aceite del motor está caliente. Evite el contacto de la piel con el aceite de motor usado.

2. Coloque el producto sobre una superficie nivelada.
3. Quite la llave de encendido/apagado.
4. Coloque un recipiente debajo del tapón de vaciado de aceite.
5. Quite el tapón de vaciado de aceite, incline el producto y vierta el aceite usado en el recipiente.
6. Coloque de nuevo el producto en la posición de funcionamiento.
7. Coloque el tapón de vaciado de aceite y apriételo con la mano.
8. Llene el motor con aceite; consulte *Llenado del motor con aceite en la página 93*.

Lubricación del producto

- Lubrique los puntos de articulación (A) con aceite.
- Lubrique el motor (B) con aceite.

- Aplique una pequeña cantidad de grasa de litio en los salientes de enclavamiento (C) al principio de cada temporada o tras 25 horas de uso.



Silenciador

El silenciador mantiene al mínimo los niveles de ruido y aparta los gases de escape del operador.

No utilice el producto si el silenciador no está instalado o está defectuoso. Un silenciador defectuoso aumenta el nivel de ruido y el riesgo de incendio.

Examine el silenciador con frecuencia para asegurarse de que está montado correctamente y que no está dañado.



PRECAUCIÓN: El silenciador se calienta mucho durante y después de su uso, y cuando el motor funciona a ralentí. Tenga cuidado cerca de materiales inflamables o gases para evitar incendios.

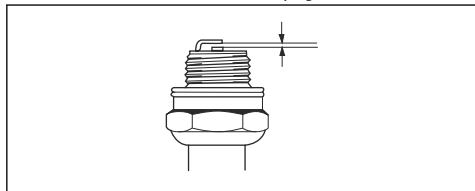
Para examinar la bujía



PRECAUCIÓN: Utilice siempre el tipo de bujía recomendado. El uso de un tipo de bujía incorrecto puede causar averías en el producto.

- Examine la bujía si el motor tiene baja potencia, no es fácil de arrancar o no funciona correctamente al régimen de ralentí.
- Para reducir el riesgo de material no deseado en los electrodos de la bujía, siga estas instrucciones:
 - a) Asegúrese de que el régimen de ralentí está bien ajustado.
 - b) Asegúrese de que la mezcla de combustible sea correcta.
 - c) Asegúrese de que el filtro de aire esté limpio.

- Si la bujía está muy sucia, límpiela y asegúrese de que la distancia entre los electrodos sea la correcta, consulte *Datos técnicos en la página 108*.



- Sustituya la bujía si fuese necesario.

Inspección de los sinfines y el faldón rascador

1. Antes de cada uso, inspeccione si los sinfines y el faldón rascador presentan desgaste.
2. Si el borde del faldón rascador está desgastado, dele la vuelta. Si el faldón rascador está dañado o tiene ambos lados desgastados, cámbielo.
3. Si los bordes de los sinfines están desgastados, póngase en contacto con un centro de servicio autorizado para sustituirlos.

Sustitución de los pasadores de seguridad del sinfín

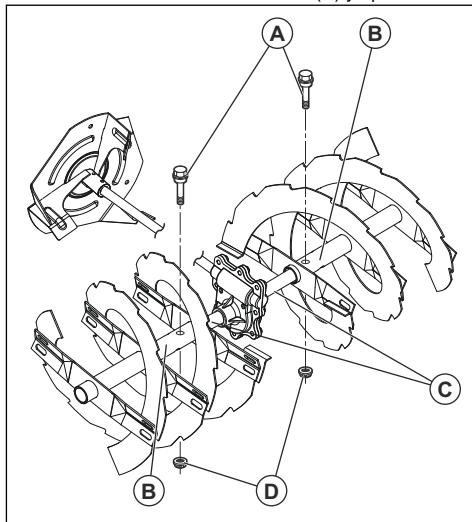
Los pasadores de seguridad del sinfín protegen el producto contra posibles daños. Los pasadores de seguridad del sinfín se rompen si algún objeto interfiere en las piezas móviles.



PRECAUCIÓN: Utilice únicamente los pasadores de seguridad originales que se suministran con el producto.

1. Si un pasador de seguridad del sinfín se rompe, detenga el motor y espere a que las piezas móviles se detengan.
2. Quite la llave de encendido/apagado y desconecte el cable de la bujía.
3. Alinee el orificio del buje del sinfín (B) con el orificio del eje del sinfín (C) e instale un nuevo pasador de seguridad de $\frac{1}{4} - 20 \times 2$ (A).

4. Instale una contratuerca de $\frac{1}{4}-20$ (D) y apriétela.



5. Coloque la llave de encendido/apagado en el contacto y conecte el cable de la bujía.

Sustitución de los pasadores de seguridad del propulsor

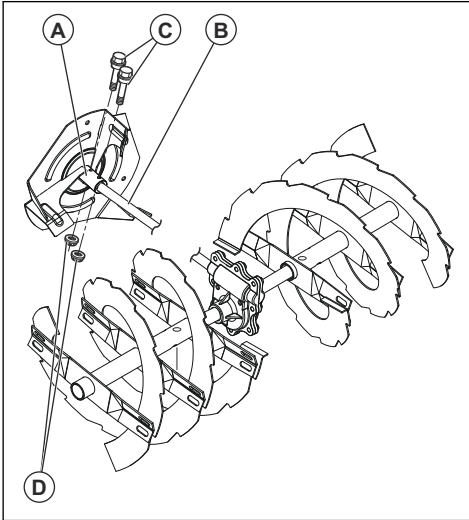
Los pasadores de seguridad del propulsor protegen el producto contra posibles daños. Los pasadores de seguridad del propulsor se rompen si algún objeto interfiere en las piezas móviles.



PRECAUCIÓN: Utilice únicamente los pasadores de seguridad originales que se suministran con el producto.

1. Si un pasador de seguridad del propulsor se rompe, detenga el motor y espere a que las piezas móviles se detengan.
2. Quite la llave de encendido/apagado y desconecte el cable de la bujía.
3. Alinee el orificio del buje del propulsor (A) con los orificios del eje del propulsor (B) e instale un nuevo pasador de seguridad de $\frac{1}{4}-20$ (C).

4. Instale una contratuerca de ¼-20 (D) en el pasador de seguridad y apriétela.



5. Coloque la llave de encendido/apagado en el contacto y conecte el cable de la bujía.

Comprobación de los neumáticos

- Para evitar desperfectos en la goma, evite el contacto de los neumáticos con combustible, aceite y productos químicos.
- Evite el contacto de los neumáticos con tocones, piedras, surcos, objetos afilados y cualquier otro elemento que pueda dañarlos.
- Mantenga los neumáticos a la presión adecuada; consulte *Datos técnicos en la página 108*.

Despejar un deflector del conducto obstruido

No despeje el deflector del conducto si no ha efectuado las acciones siguientes.

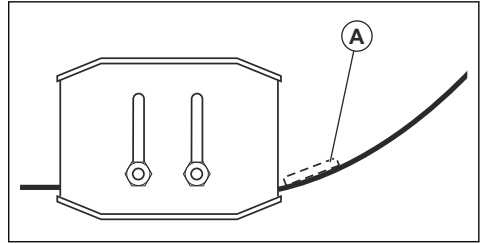
1. Desactive el acoplamiento del sinfín y de la transmisión al mismo tiempo.
2. Espere 10 segundos para asegurarse de que los sinfines se han detenido.
3. Pare el producto.
4. Utilice la herramienta de limpieza (de al menos 38 cm (15 in) de longitud e incluida en algunos modelos) para despejar la obstrucción.



ADVERTENCIA: No ponga las manos en el deflector del conducto ni en el interior del alojamiento del sinfín.

Sustitución del faldón rascador

1. Dé la vuelta al faldón rascador (A) si se desgasta hasta el borde del alojamiento.



2. Cambie el faldón rascador si está dañado o tiene ambos lados desgastados.

Correas de transmisión.



ADVERTENCIA: Las correas trapezoidales del producto tienen una estructura especial y deben cambiarse por correas originales, las cuales podrá adquirir en el centro de servicio más cercano. Si usa correas que no sean originales, podrían producirse lesiones personales o daños en el producto.



ADVERTENCIA: Para cambiar la correa es necesario separar el producto. Al separar el alojamiento del sinfín del bastidor, es importante que otra persona se sitúe en la posición de manejo y sujete el manillar. Si el producto se cae durante la sustitución de la correa, podrían producirse lesiones personales graves y/o daños en el producto.

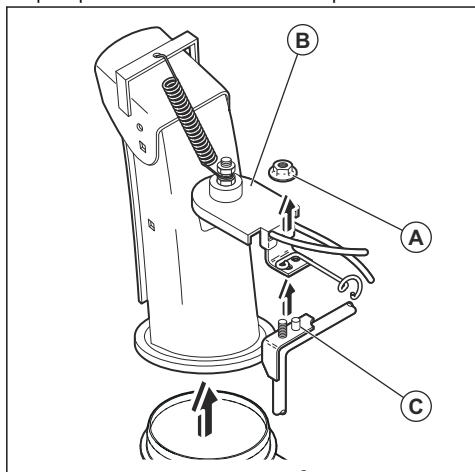
Nota: Las correas de transmisión del sinfín y de tracción no pueden ajustarse. Si las correas empiezan a perder tensión por el uso o están dañadas, sustitúyalas. Es recomendable acudir a un centro de servicio autorizado para que cambien las correas.

Nota: Es recomendable cambiar a la vez la correa de transmisión y la correa del sinfín.

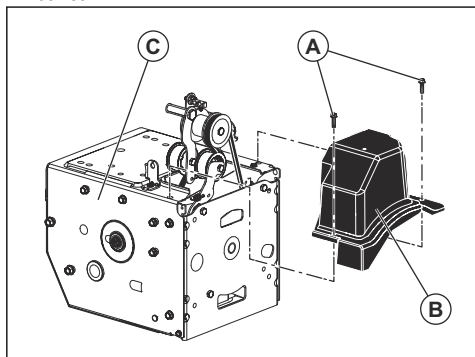
Preparación para cambiar las correas

1. Vacíe el combustible del depósito de combustible.

2. Afloje la contratuerca (A) que fija el cabezal del rotador del conducto (B) al soporte de montaje (C) para poder retirar el conducto de expulsión.



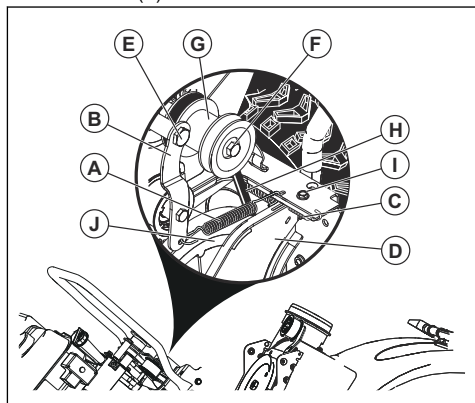
3. Afloje los dos tornillos (A) que fijan la cubierta de la correa (B) al bastidor (C) y retire la cubierta de la correa.



Extracción de la correa de transmisión

1. Retire la correa del sinfín. Consulte *Extracción de la correa del sinfín en la página 102.*

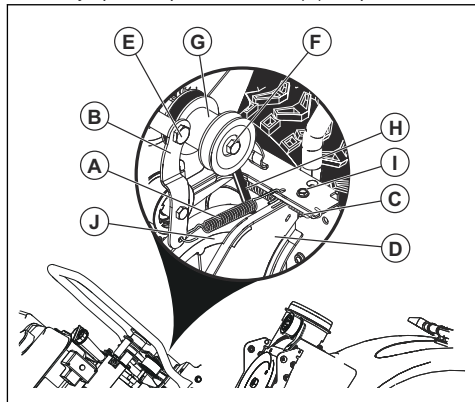
2. Retire el muelle tensor (A) que se encuentra instalado en el brazo del tensor de la correa de transmisión (B).



3. Retire el muelle de retorno (C) que fija en su posición la placa oscilante (D).
4. Retire el perno del brazo (E) y el brazo del tensor de la correa de transmisión.
5. Retire el perno de la polea (F), la polea del motor (G) y la correa de transmisión (H) del motor.
6. Quite el perno superior (I) que sujeta la placa oscilante al bastidor.
7. Gire y aparte la placa oscilante del producto, y retire la correa de transmisión de la polea motriz (J).

Instalación de la correa de transmisión

1. Gire y aparte la placa oscilante (D) del producto.



2. Coloque la correa de transmisión (H) en la polea motriz (J).

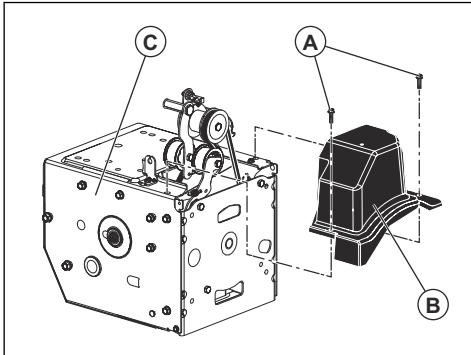
Nota: Compruebe que la correa de transmisión se encuentre correctamente en la ranura de la polea motriz antes de bajar la placa oscilante.

3. Instale y apriete el perno superior (I).

- Coloque la correa de transmisión en la ranura de la polea del motor (G) antes de instalarla en el eje del motor.
- Instale el perno de la polea (F) y fije la polea del motor al motor. Apriete el perno de la polea (30-35 ft lb / 41-47 Nm).
- Instale el brazo del tensor de la correa de transmisión (B) y apriete el perno del brazo (E) en el motor.
- Instale el muelle de retorno (C) en la placa oscilante.
- Instale el muelle del tensor (A) en el brazo del tensor.
- Maniobre todos los controles para verificar que la correa de transmisión esté bien montada y que todos los componentes se mueven correctamente.

Instalación de la cubierta de la correa

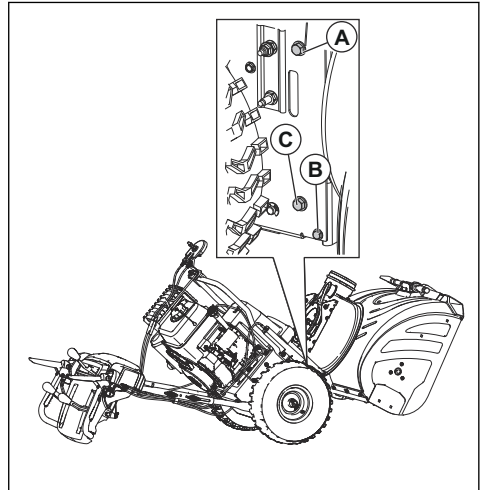
- Instale la cubierta de la correa (B) en el bastidor (C) y apriete los dos tornillos (A).



- Instale el conducto de expulsión.

Extracción de la correa del sinfín

- Quite los pernos de 5/16 pulg. (A) y los pernos inferiores de 1/4 pulg. (B) de los 2 lados del conjunto del bastidor. No deseche los pernos.



- Afloje los pernos inferiores de 5/16 pulg. (C) de los 2 lados del conjunto del bastidor sin llegar a retirarlos.
- Retire la correa del sinfín de la polea del motor.
- Incline la sección trasera hacia abajo. La parte delantera se inclinará hacia delante al mismo tiempo. El perno inferior (C) actúa como bisagra entre la parte delantera y la trasera.
- Coloque un taco de madera debajo del punto de articulación para que el producto permanezca inclinado.
- Mueva el brazo del tensor de la correa del sinfín y quite la correa del sinfín de alrededor del brazo.

Instalación de la correa del sinfín

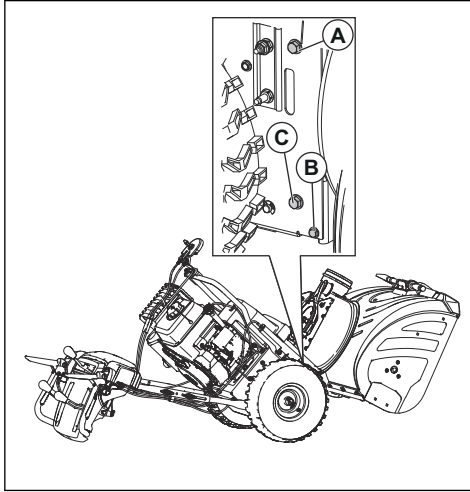
- Mueva el brazo del tensor de la correa y sitúe la correa del sinfín alrededor de la polea del sinfín y en la ranura.



PRECAUCIÓN: Asegúrese de que la correa no quede atrapada entre el bastidor y el alojamiento del sinfín al ensamblar la unidad.

- Retire el taco de madera que colocó debajo del producto.
- Levante el asa para inclinar hacia arriba la parte trasera. La parte delantera se inclinará y girará para acoplarse con la parte trasera.
- Asegúrese de que la correa esté bien colocada en la ranura de la polea del sinfín.

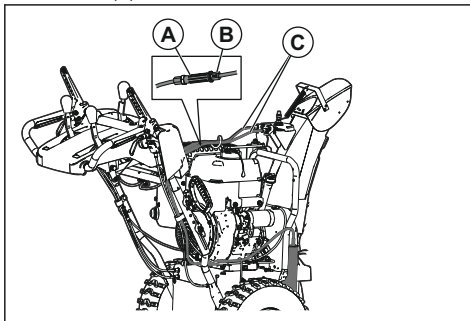
5. Instale los pernos de 5/16 pulg. (A), (C) y apriételos (11-16 Nm/8-12 ft lb).



6. Instale los pernos de ¼ pulg. (B) y apriételos (5-8 Nm/4-6 ft lb).
7. Instale la correa del sinfín en la polea del motor. Asegúrese de colocar bien la correa alrededor de la polea tensora y en la ranura de la polea del motor.
8. Maniobre todos los controles para verificar que la correa del sinfín esté bien montada y que todos los componentes se mueven correctamente.

Ajuste de la tensión del cable del deflector del conducto de expulsión

1. Afloje las tuercas de inmovilización (B) para ajustar la tensión del cable del conducto de expulsión junto al tensor (A).

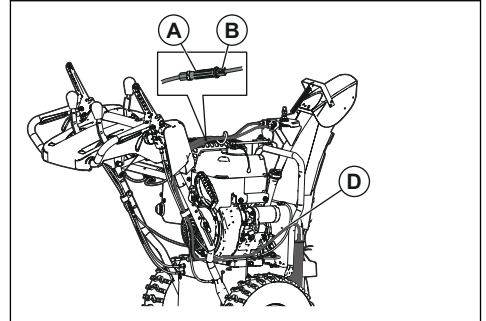


2. Sujete la sección corta y gire la sección larga para aumentar la distancia del tensor.
3. Ajuste hasta que el cable del deflector del conducto de expulsión (C) esté tenso. Apriete las tuercas de inmovilización.

Ajuste del cable de control del sinfín

Nota: Si cree que no está capacitado para llevar a cabo este ajuste, póngase en contacto con el servicio técnico autorizado. Es posible que sea necesario realizar ajustes si la rotación del sinfín y el propulsor es demasiado lenta al accionar la palanca de control, o si se ha sustituido la correa del sinfín.

1. Afloje las tuercas de inmovilización (B) situadas junto al tensor (A) para ajustar la tensión del cable de control del sinfín (D).



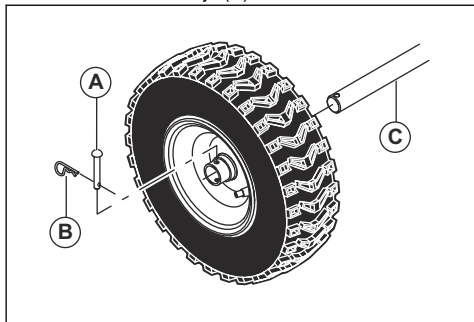
2. Sujete la sección corta y gire la sección larga. Gírela 360 grados.
3. Compruebe el acoplamiento del sinfín. Repita el ajuste hasta que el cable esté tensado al mínimo cuando la palanca esté desacoplada.
4. Apriete la tuerca de inmovilización inferior para fijar la tensión.
5. Pida a alguien que se sitúe delante del producto a unos 3 metros (10 pies), en el lado opuesto al conducto. El ayudante debe observar la rotación del sinfín y medir el tiempo que tarda este en dejar de girar después de soltar la palanca. Si el sinfín tarda 5 segundos en dejar de girar, ajuste el cable girando el tambor de centrado 360 grados, de modo que el ajustador se contraiga. Vuelva a probar el funcionamiento del sinfín y vuelva a medir el tiempo de parada. Si el sinfín deja de girar en menos de 5 segundos, continúe con el paso siguiente.
6. Apriete la contratuerca del cable del tornillo sin fin.

Nota: Si el ajuste no resuelve el problema, cambie la correa del tornillo sin fin. Consulte *Extracción de la correa del sinfín en la página 102*.

Para desmontar las ruedas

1. Retire el pasador de la rueda (A) y el pasador de retención (B).

2. Retire la rueda del eje (C).



Limpeza del producto

- Limpie las piezas de plástico con un paño limpio y seco.
- No utilice un equipo de limpieza a alta presión para limpiar el producto.
- No vierta agua directamente sobre el motor.
- Use un cepillo para retirar las hojas, la hierba y la suciedad.

Resolución de problemas

Resolución de problemas

Problema	Causa posible	Solución
El producto no arranca	La llave de encendido de seguridad no está insertada.	Introduzca la llave de encendido de seguridad.
	El producto no tiene combustible.	Llene el depósito de combustible con gasolina nueva y limpia.
	La llave de encendido/apagado está en posición OFF (apagado).	Coloque la llave de encendido/apagado en la posición ON (encendido).
	El estrangulador se encuentra desactivado (cerrado).	Active el estrangulador (posición FULL [máximo] u OPEN [abierto]).
	No se ha presionado el cebador.	Presione el cebador.
	El motor está ahogado.	Espera unos minutos antes de volver a arrancar y no presione el cebador. Ponga en marcha el motor con la aceleración al máximo y el estrangulador desactivado (posición CLOSE [cerrado]).
	El cable de la bujía no está conectado.	Conecte el cable a la bujía.
	La bujía está defectuosa.	Cambie la bujía.
	Hay agua en el combustible o el combustible es demasiado antiguo.	Vacíe el depósito de combustible y el carburador. Llene el depósito de combustible con gasolina nueva y limpia.
	Hay vapor en la tubería de combustible.	Asegúrese de que la tubería de combustible se encuentra totalmente por debajo de la salida del depósito de combustible. La tubería de combustible debe discurrir hacia abajo desde el depósito de combustible hasta el carburador.
	Otras causas.	Revise detenidamente los procedimientos de arranque explicados en este manual.
	El interruptor de combustible (si dispone de ello) está cerrado (apagado).	Abra (active) el interruptor de combustible.
El acelerador está en la posición STOP (parado).	Ponga el acelerador en la posición FAST (alta velocidad).	

Problema	Causa posible	Solución
Potencia reducida	El cable de la bujía no está conectado.	Conecte el cable a la bujía.
	El producto expulsa mucha nieve.	Reduzca la velocidad y la anchura de la hilera.
	El tapón del depósito de combustible está cubierto de hielo o nieve.	Retire el hielo y la nieve del tapón del depósito de combustible y de alrededor de él.
	El silenciador está sucio u obstruido.	Limpie o sustituya el silenciador.
	Longitud del cable incorrecta.	Ajuste el cable.
	El silenciador está obstruido.	Asegúrese de que el motor esté frío. Despeje la obstrucción.
	La toma de aire del carburador está obstruida.	Asegúrese de que el motor esté frío. Despeje la obstrucción.
El motor funciona de forma irregular cuando está a ralentí o a un régimen normal de funcionamiento	El estrangulador se encuentra activado (posición FULL [máximo] u OPEN [abierto]).	Desactive el estrangulador (posición CLOSE [cerrado]).
	La tubería de combustible está obstruida.	Limpie la tubería de combustible.
	Hay agua en el combustible o el combustible es demasiado antiguo.	Vacíe el depósito de combustible y el carburador. Llene el depósito de combustible con gasolina nueva y limpia.
	Es necesario cambiar el carburador.	Contacte con un centro de servicio autorizado.
	La correa se ha extendido.	Cambie la correa trapezoidal del sinfín.
Exceso de vibración o movimiento en el manillar	Hay piezas flojas. Los sinfines están dañados.	Apriete todas las conexiones. Cambie las piezas dañadas. Si la vibración persiste, póngase en contacto con un centro de servicio autorizado.
	El manillar no está bien colocado.	Asegúrese de que el manillar esté bien fijado en su posición.
	Las tuercas de la palanca de ajuste están flojas.	Apriete las tuercas hasta que el manillar dé sensación de seguridad.
Cuesta trabajo tirar de la empuñadura de la cuerda de arranque	La empuñadura de la cuerda de arranque está congelada.	Saque lentamente toda la cuerda que sea posible y suelte la empuñadura de la cuerda de arranque. Si el motor no arranca, repita el procedimiento o utilice el mecanismo de arranque eléctrico.
	La cuerda de arranque interfiere en los componentes.	La cuerda de arranque no debe entrar en contacto con ningún cable o manguera.

Problema	Causa posible	Solución
Pérdida de tracción/velocidad baja de la transmisión No se expulsa nieve o se expulsa lentamente	La correa resbala.	Ajuste el cable. Ajuste la correa.
	La correa está desgastada.	Revise/cambie la correa. Ajuste la polea.
	La correa se sale de la polea.	Revise/reinstale la correa. Ajuste la polea.
	El deflector del conducto está obstruido.	Despeje el deflector del conducto.
	Los sinfines están obstruidos por objetos extraños.	Retire los residuos o el objeto extraño de los sinfines.
	El pasador de seguridad está roto.	Cambie el pasador de seguridad roto.
	Se ha acumulado demasiado hielo y nieve entre los componentes de las orugas.	Retire el hielo y la nieve acumulados entre los componentes de las orugas.
	La rueda motriz de fricción está desgastada.	Contacte con un centro de servicio autorizado.
Error de rotación del sinfín al soltar la empuñadura	El disco de fricción está húmedo	Deje que el disco de fricción se seque
	La correa de transmisión no está alineada.	Ajuste la correa de transmisión.
Las luces no están encendidas (si dispone de ello)	El deflector de descarga no está alineado.	Ajuste el deflector de descarga.
	El motor no está en marcha.	Arranque el motor.
	El cable está mal conectado.	Compruebe las conexiones del cable del motor y las luces.
El rotador del conducto se mueve con dificultad	El LED está fundido.	Cambie el módulo de luz LED. No es posible cambiar LED individuales.
	Hay suciedad en el mecanismo del rotador del conducto.	Limpie las piezas internas del mecanismo del rotador del conducto.
El producto se desvía a un lado	Los cables están doblados o dañados.	Compruebe que los cables no estén doblados. Cambie los cables si están dañados.
	La presión de los neumáticos es desigual.	Ajuste la presión de los neumáticos y llene los neumáticos.
	El producto se mueve con una sola rueda.	Inspeccione el pasador de bloqueo de las ruedas.
	Ajuste irregular del trineo.	Ajuste las planchas protectoras y el trineo.
	Ajuste irregular de las planchas protectoras.	Ajuste las planchas protectoras y el trineo.

Transporte, almacenamiento y eliminación

Transporte y almacenamiento

- Para el transporte y almacenamiento del producto y del combustible, asegúrese de que no haya fugas ni humos. Las chispas o llamas abiertas, por ejemplo, de dispositivos eléctricos o calderas, pueden producir un incendio.
- Use siempre recipientes homologados para el transporte y almacenamiento de combustible.
- Vacíe el depósito de combustible antes de poner el producto en almacenamiento durante un largo período de tiempo. Deseche el combustible en una ubicación adecuada para su eliminación.
- Asegure el producto durante el transporte para evitar daños y accidentes.
- Mantenga el producto en un área cerrada para impedir el acceso a niños o personas no autorizadas.

- Mantenga el producto en un lugar seco y al abrigo de las heladas.

Eliminación

- Respete los requisitos de reciclaje locales y las normas aplicables.
- Deseche todos los productos químicos, como el aceite de motor o el combustible, en un centro de servicio o una ubicación adecuada para su eliminación.
- Cuando ya no use el producto, envíelo a un distribuidor Husqvarna o deséchelo en un punto de reciclaje.

Datos técnicos

Datos técnicos

sin previo aviso en caso de aplicar mejoras en el producto.

Nota: Todos los datos, imágenes y especificaciones son típicos y sirven solo de referencia; podrían modificarse

	ST 224	ST 227P	ST 230P
Dimensiones			
Peso, lb/kg	198,6/90	212/96	237,8/108
Presión máx. de los neumáticos en funcionamiento, PSI	18	18	20
Motor			
Marca/modelo	LCT	LCT	LCT
Cilindrada, cc	208	254	291
Tipo de combustible	Regular sin plomo (máximo de 10 % de etanol)		
Capacidad de combustible, galones/litros	0,31/1,17	0,35/1,33	0,62/2,35
Aceite	SAE 5W30 (bajo 0 °C (32 °F)).		
Capacidad de aceite, onzas/litros	16/0,47	20/0,59	32/0,95
Sistema eléctrico			
Bujía	F6RTC o F7RTC, distancia: 0,762 mm (0,030 pulg.)		
Emisiones de ruido ¹⁹			
Nivel de potencia acústica medida, dB(A)	105	105	105

¹⁹ Emisiones sonoras en el entorno medidas como potencia acústica (L_{WA}) según las directivas 2000/14/CE y 2005/88/CE

	ST 224	ST 227P	ST 230P
Nivel de potencia acústica garantizado L_{WA} dB(A)	105	105	105
Niveles acústicos			
Nivel de presión sonora en el oído del operario, dB(A)	88,4	88,4	88,4
Niveles de vibración, a_{hveq}²⁰			
Nivel de vibración en el manillar, m/s^2	5,74	4,89	4,66

²⁰ Nivel de vibración conforme a ISO 5349-2 EN 1033.

Declaración de conformidad CE

CONTENIDO DE LA DECLARACIÓN DE CONFORMIDAD CE

Nosotros, Husqvarna, SE-561 82 Huskvarna, SUECIA, declaramos bajo nuestra exclusiva responsabilidad que el producto representado:

Descripción	Quitanieves
Marca	Husqvarna
Plataforma/tipo/modelo	ST 224, ST 227P, ST 230P
Lote	Número de serie a partir del 2018 en adelante

Cumple las siguientes directivas y normas de la UE:

Directiva/Norma	Descripción
2006/42/CE	"relativa a las máquinas"
2014/30/UE	"relativa a la compatibilidad electromagnética"
2000/14/CE; 2005/88/CE	"relativa al ruido en exteriores"

Las normas armonizadas o especificaciones técnicas aplicadas son las siguientes:

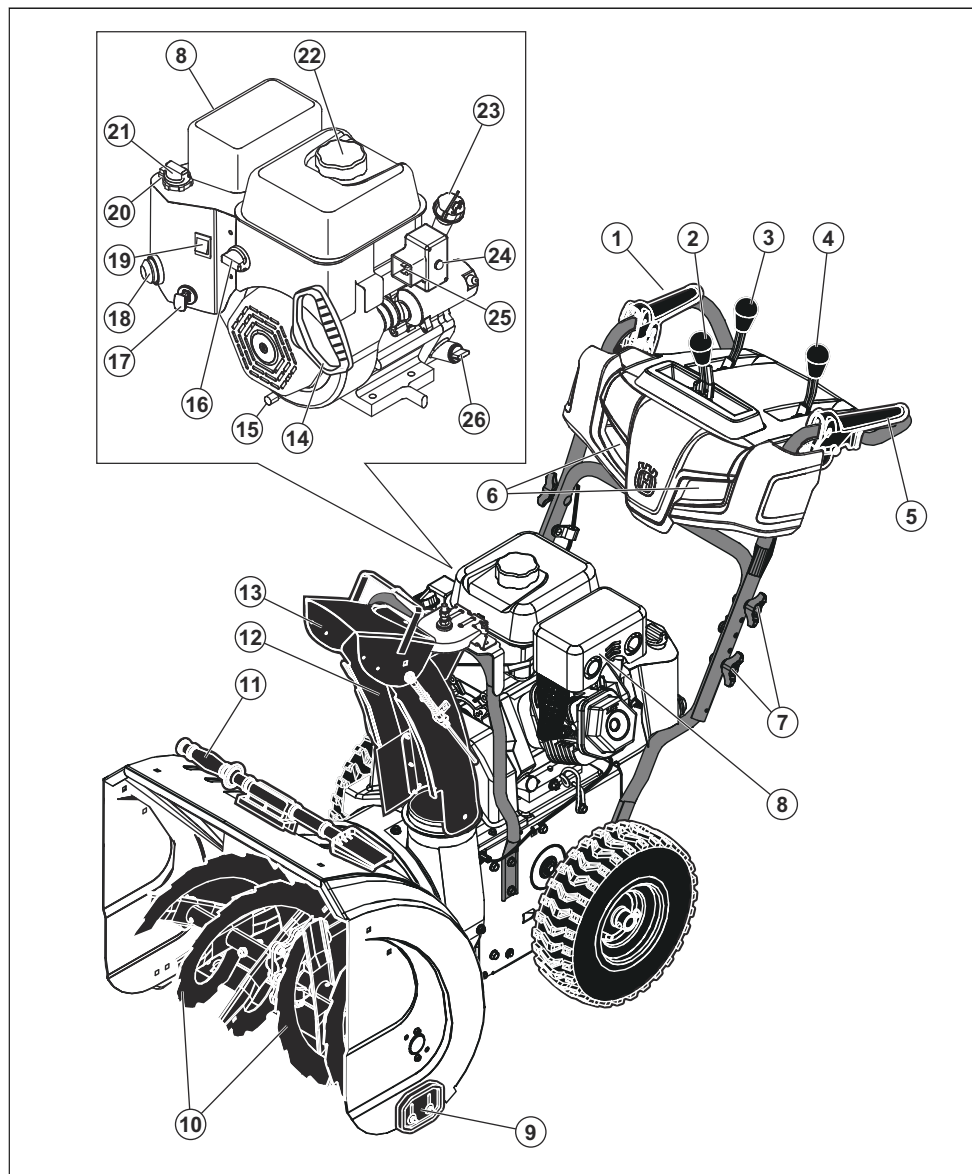
De acuerdo con la directiva 200/14/CE, Anexo V, los valores de sonido declarados se indican en el capítulo Datos técnicos de este manual y en la declaración de conformidad CE firmada.

El quitanieves suministrado concuerda con el ejemplar que fue sometido a examen.

Sommario

Introduzione.....	112	Anomalie di funzionamento.....	132
Sicurezza.....	115	Trasporto, stoccaggio e smaltimento.....	135
Montaggio.....	118	Dati tecnici.....	135
Utilizzo.....	120	Dichiarazione di conformità CE.....	137
Manutenzione.....	125		

Panoramica del prodotto



1. Innesto della coclea

2. Leva di comando dello scivolo di scarico

3. Leva di controllo del regime di avanzamento

4. Leva di comando remoto del deflettore

5. Innesto della trasmissione
6. Luce
7. Manopola dell'impugnatura
8. Marmitta
9. Piastra sottodisco libera
10. Coclee
11. Strumento di pulizia
12. Scivolo di scarico
13. Deflettore di scarico
14. Impugnatura del cavo di avviamento
15. Tappo di drenaggio dell'olio
16. Interruttore del carburante
17. Chiave di accensione/spegnimento
18. Primer
19. Interruttore ON/OFF (ST 227P, ST 230P)
20. Comando dell'acceleratore
21. Valvola dell'aria
22. Tappo di riempimento benzina
23. Rifornimento e asta di livello dell'olio (ST 227P, ST 230P)
24. Pulsante di avviamento elettrico
25. Collegamento, avviamento elettrico
26. Rifornimento e asta di livello dell'olio (ST 224)

Descrizione del prodotto

Il prodotto è uno spazzaneve con ruote che viene utilizzato per rimuovere la neve da terra.

Uso previsto

Questo prodotto può essere utilizzato per rimuovere la neve da campi, strade, sentieri e vialetti. Non usate l'apparecchio su dislivelli superiori a 20°. Non utilizzare il dispositivo in aree in cui siano presenti detriti, sporcizia e pietre sporgenti.

Simboli riportati sul prodotto

Nota: Se le etichette sul prodotto sono danneggiate, contattare il distributore per sostituirle.



Avvertenza.



Leggere il manuale dell'operatore.



Accensione del motore



Arresto del motore.



Veloce.



Lento.



Comando dell'aria



Primer.



Olio.



Carburante.



Attenzione.



Direttiva macchine europea per la sicurezza.



Sterzo a sinistra.



Sterzo a destra.



Regolazione dell'altezza della coclea



Soffiatore spento.



Soffiatore acceso.



Trazione spenta.



Trazione accesa.



Non rimuovere le protezioni mentre il motore è in funzione.



Protezione acustica consigliata.



Livello potenza acustica.



Chiave ON/OFF. Inserire per l'avvio e il funzionamento.



Comando dell'aria chiuso (avvio).



Primer.



Tirare l'impugnatura della fune di avviamento per l'avvio.



Comando dell'aria aperto (funzionamento).



Chiave ON/OFF. Estrarre per l'arresto.



Nessun intervento su pendii maggiori di 10 gradi.



Smontare il cavo della candela prima della manutenzione.



Superficie calda.



Valvola di esclusione carburante.



Avvertenza, tenere le mani lontane.

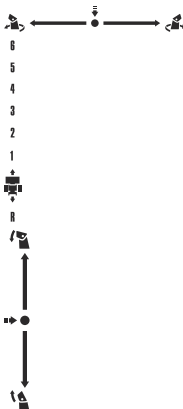


Avvertenza, tenere i piedi lontani.



Prestare attenzione agli oggetti volanti, tenersi lontani dalle persone presenti nelle vicinanze.

Rotazione a sinistra/spinta verso il basso/rotazione verso destra.



Marcia avanti/retromarcia.

Su/giù

Responsabilità del prodotto

Come indicato nelle leggi vigenti in materia di responsabilità obbligatoria sul prodotto, non siamo responsabili per eventuali danni causati dal nostro prodotto se:

- Il prodotto viene riparato in modo errato.
- Il prodotto viene riparato con parti che non provengono o non sono omologate dal produttore.
- Il prodotto contiene un accessorio che non proviene o non è omologato dal produttore.
- Il prodotto non viene riparato presso un centro di assistenza autorizzato o presso un'autorità competente.

Definizioni di sicurezza

Le definizioni riportate di seguito forniscono il livello di gravità per ciascuna delle parole di avvertenza.



AVVERTENZA: Lesioni alle persone.



ATTENZIONE: Danni al prodotto.

Nota: Queste informazioni rendono più semplice l'uso del prodotto.

Istruzioni di sicurezza generali

- Utilizzare il prodotto in modo corretto. Un uso improprio può causare lesioni o la morte. Utilizzare il prodotto solo per le attività riportate nel presente manuale. Non utilizzare il prodotto per altre attività.
- Attenersi alle istruzioni contenute nel presente manuale. Rispettare i simboli di sicurezza e le istruzioni di sicurezza. In caso di mancata osservanza delle istruzioni e dei relativi simboli, si potrebbero causare lesioni personali, danni o la morte.
- Non gettare il presente manuale. Utilizzare le istruzioni per assemblare, azionare e mantenere il prodotto in buone condizioni. Utilizzare le istruzioni per installare correttamente attrezzature e accessori. Utilizzare esclusivamente attrezzature e accessori omologati.
- Non utilizzare un prodotto danneggiato. Attenersi al programma di manutenzione. Eseguire solo gli interventi di manutenzione riportati nelle istruzioni di questo manuale. Tutti gli altri interventi di manutenzione devono essere effettuati da un centro di assistenza autorizzato.
- Il presente manuale non include tutte le situazioni che possono verificarsi quando si utilizza il prodotto. Prestare la massima attenzione e usare il buon senso. Non utilizzare mai il prodotto o eseguire interventi di manutenzione sul prodotto se non si è sicuri. Per ulteriori informazioni parlare con un esperto del prodotto, il vostro rivenditore, l'officina o il centro di assistenza autorizzato.
- Scollegare il cavo della candela prima di assemblare il prodotto, conservarlo in magazzino o eseguire la manutenzione.
- Non utilizzare il prodotto se è stato modificato in qualche modo rispetto alle caratteristiche iniziali. Non sostituire una parte del prodotto senza previa approvazione del produttore. Utilizzare solo parti

approvate dal produttore. Una manutenzione impropria può causare lesioni o la morte.

- Non respirare i fumi provenienti dal motore. L'inalazione prolungata dei fumi di scarico del motore è dannosa per la salute.
- Non avviare il prodotto in ambienti chiusi o vicino a materiale infiammabile. I fumi di scarico sono molto caldi e possono contenere scintille in grado di provocare incendi. Un flusso d'aria insufficiente può causare lesioni o la morte dovute ad asfissia o al monossido di carbonio.
- Quando si utilizza questo prodotto, il motore genera un campo elettromagnetico. Il campo elettromagnetico può danneggiare gli impianti medici. Rivolgersi al medico e al produttore degli impianti medici prima di utilizzare il prodotto.
- Non consentire ai bambini di utilizzare il prodotto. Non permettere a chiunque non conosca le istruzioni di utilizzare il prodotto.
- Assistere sempre una persona, con capacità fisica o mentale ridotta, quando utilizza il prodotto. È necessaria sempre la supervisione di un adulto responsabile.
- Conservare il prodotto in un'area a cui bambini o persone non autorizzate non possano accedere.
- Il prodotto può espellere oggetti e causare lesioni. Attenersi alle istruzioni di sicurezza per ridurre il rischio di lesioni o morte.
- Non allontanarsi dal prodotto con il motore in funzione.
- L'operatore del prodotto è responsabile in caso di incidente.
- Prima e durante la retromarcia, guardare indietro e in basso accertandosi che non vi siano bambini piccoli, animali o altri rischi che potrebbero comportare una caduta.
- Verificare che i componenti non siano danneggiati prima di utilizzare il prodotto.
- Tenersi a una distanza di almeno 15 m (50 piedi) da persone o animali prima di utilizzare il prodotto. Verificare che le persone circostanti siano a conoscenza del fatto che il prodotto verrà azionato.
- Fare riferimento alle normative nazionali o locali, in quanto possono impedire o limitare il funzionamento del prodotto in determinate condizioni.

Istruzioni di sicurezza per il funzionamento

- Non porre le mani o i piedi vicino o sotto le parti rotanti. Restare sempre lontani dall'apertura di scarico.
- Procedere con estrema cautela quando si attraversano superfici ghiaiose, sentieri o strade. Prestare attenzione ai pericoli nascosti o al traffico.

- Se si urta un corpo estraneo, fermare il motore, rimuovere il cavo dalla candela, staccare il filo per i motori elettrici, controllare attentamente il prodotto per verificare se abbia subito danni e riparare gli eventuali danni prima di riavviare e utilizzare il prodotto.
- Se il prodotto inizia a vibrare in maniera anomala, arrestare il motore e individuare immediatamente la causa. Le vibrazioni generalmente sono sintomo di problemi.
- Spegnerne il motore ogni volta che si lascia la posizione di lavoro, prima di liberare da intasamenti il carter della coclea o il deflettore di scarico, e quando si eseguono riparazioni, regolazioni o controlli.
- Prima di ogni intervento di pulizia, riparazione o controllo del prodotto, spegnere il motore e verificare che le trivelle e tutte le parti mobili siano ferme. Scollegare il cavo da tutte le candele e allontanarlo in modo da impedire che qualcuno possa accendere il motore accidentalmente.
- Non avviare il motore in spazi chiusi, se non quando si avvia il motore e per il trasporto del prodotto all'interno o all'esterno dell'edificio. Aprire le porte esterne; i fumi di scarico sono pericolosi.
- Procedere con estrema cautela quando si aziona la macchina in pendenza.
- Non azionare mai il prodotto senza i ripari e gli altri dispositivi di protezione installati e funzionanti.
- Non rivolgere mai il deflettore di scarico verso le persone o verso aree dove potrebbero verificarsi danni. Tenere lontani i bambini e le persone in genere.
- Non sovraccaricare il prodotto tentando di rimuovere la neve troppo velocemente.
- Non azionare mai il prodotto ad alte velocità di marcia su superfici scivolose. Guardarsi indietro e procedere con cautela quando si lavora in retromarcia.
- Disinserire le trivelle quando si deve trasportare o non si utilizza il prodotto.
- Usare solo gruppi di taglio e accessori approvati dal produttore del prodotto (come pesi delle ruote, contrappesi e cabine).
- Non utilizzare mai il prodotto senza una buona visibilità o senza luce. Accertarsi sempre di avere una buona presa con i piedi sul terreno e con le mani sul manubrio. Procedere adagio; non correre.
- Non toccare mai il motore o la marmitta caldi.

Sicurezza dell'area di lavoro

- Ispezionare attentamente l'area in cui la macchina deve essere utilizzata e rimuovere stuoini, slitte, assi, cavi e qualsiasi altro oggetto.
- Disinserire tutte le frizioni e mettere la leva del cambio in folle prima di avviare il motore.
- Non utilizzare il prodotto indossando indumenti invernali non adeguati. Non indossare indumenti lenti che potrebbero impigliarsi nelle parti mobili.

Indossare calzature che favoriscano la presa sulle superfici scivolose.

- Maneggiare il carburante con attenzione in quanto è altamente infiammabile.
 - Utilizzare una tanica carburante approvata.
 - Non aggiungere mai carburante quando il motore è in funzione o caldo.
 - Riempire il serbatoio del carburante all'aperto e con estrema attenzione. Non riempire mai il serbatoio del carburante al chiuso.
 - Non riempire mai i contenitori all'interno di un veicolo o sul pianale di un autocarro o di un rimorchio con copertura di materiale plastico. Collocare sempre i contenitori a terra, lontano dal veicolo, prima di riempirli.
 - Quando possibile, rimuovere le macchine a benzina dall'autocarro o dal rimorchio e rifornirle a terra. Se questo non è possibile, rifornire le macchine su un rimorchio utilizzando un contenitore di carburante portatile e non l'erogatore di un distributore di benzina.
 - Mantenere l'erogatore sempre a contatto con il bordo dell'apertura del serbatoio o del contenitore di carburante, fino al termine del rifornimento. Non usare un dispositivo di blocco che tenga aperto l'ugello.
 - Reinscrivere saldamente il tappo del serbatoio della benzina e asciugare il carburante fuoriuscito.
 - Se si versa della benzina sui propri indumenti, cambiare indumenti immediatamente.
- Utilizzare fili di prolunga e prese come specificati dal costruttore per tutte le macchine con motori elettrici o motorini di avviamento elettrici.
- Regolare l'altezza del carter della coclea per eliminare la ghiaia o la superficie rocciosa frantumata.
- Non tentare mai di effettuare regolazioni a motore acceso (salvo i casi esplicitamente consigliati dal produttore).
- Indossare sempre occhiali o maschere di sicurezza durante l'uso o quando si esegue una regolazione o una riparazione, per proteggere gli occhi dai corpi estranei che potrebbero essere lanciati dalla macchina.

Abbigliamento protettivo personale

Indossare sempre il corretto abbigliamento protettivo personale durante l'utilizzo del prodotto. Questo include, come minimo, calzature robuste e dispositivi di protezione per gli occhi e per le orecchie. L'uso dell'abbigliamento protettivo personale non elimina il rischio di lesioni, ma ne riduce la gravità in caso di incidente.

- Indossare sempre occhiali di sicurezza o protezioni per gli occhi quando si utilizza il prodotto o si eseguono manutenzione o riparazioni.

- Indossare sempre indumenti invernali appropriati durante il funzionamento del prodotto.
- Usare sempre stivali robusti anti-scivolo con un buon supporto per le caviglie durante l'utilizzo del prodotto.
- Non indossare mai abiti larghi che potrebbero restare impigliati nelle parti in movimento.
- Utilizzare guanti protettivi omologati, se necessario. Ad esempio, quando si collega, si esamina o si pulisce la lama.
- Utilizzare sempre protezioni acustiche omologate durante l'uso del prodotto. Un rumore prolungato può provocare la perdita dell'udito.

Dispositivi di sicurezza sul prodotto

- Eseguire regolarmente la manutenzione del prodotto.
 - Ciò aumenta la durata del prodotto.
 - E riduce il rischio di incidenti.

Far esaminare il prodotto da un rivenditore o un centro di assistenza autorizzati per eventuali regolazioni o riparazioni.

- Non utilizzare un prodotto con abbigliamento protettivo danneggiato. Se il prodotto è danneggiato, rivolgersi a un centro di assistenza autorizzato.

Marmitta

La marmitta assicura il minimo livello acustico e allontana i fumi di scarico dall'operatore.

Non utilizzare il prodotto se la marmitta è mancante o difettosa. Una marmitta difettosa aumenta il livello acustico e il rischio di incendio.

Esaminare la marmitta periodicamente per assicurarsi che sia collegata correttamente e che non sia danneggiata.



ATTENZIONE: La marmitta si surriscalda durante e dopo l'uso e quando il motore funziona al regime minimo. Prestare attenzione in prossimità di materiali infiammabili e/o fumi per evitare incendi.

Sicurezza nell'uso del carburante



AVVERTENZA: Leggere le seguenti avvertenze prima di utilizzare il prodotto.

- Non avviare il prodotto nel caso in cui vi sia carburante o olio motore su di esso. Rimuovere il carburante/olio indesiderato e lasciare che il prodotto si asciughi.
- In caso di perdite di carburante sugli indumenti, cambiarsi immediatamente.
- Il carburante non deve arrivare a contatto con il corpo, poiché può causare lesioni. In caso di

contatto del carburante con il corpo, rimuoverlo con acqua e sapone.

- Non avviare il prodotto se il motore presenta una perdita. Esaminare regolarmente il motore per verificare la presenza di eventuali perdite.
- Prestare la massima attenzione con il carburante. Il carburante è infiammabile e i fumi sono esplosivi quindi possono causare lesioni o morte.
- Non respirare i fumi del carburante perché possono causare lesioni. Accertarsi che ci sia un flusso d'aria sufficiente.
- Non fumare in prossimità del carburante o del motore.
- Non posizionare oggetti caldi in prossimità del carburante o del motore.
- Non aggiungere carburante a motore acceso.
- Assicurarsi che il motore sia freddo prima di effettuare il rifornimento.
- Prima di effettuare il rifornimento, aprire lentamente il tappo del serbatoio carburante e rilasciare la pressione con cautela.
- Non aggiungere carburante al motore in un ambiente chiuso. Un flusso d'aria insufficiente può causare lesioni o la morte dovute ad asfissia o al monossido di carbonio.
- Stringere completamente il tappo del serbatoio del carburante. Se il tappo del serbatoio carburante non è serrato, vi è il rischio di incendio.
- Prima dell'avviamento, spostare il prodotto di almeno 3 m (10 ft) dal punto in cui è stato riempito il serbatoio del carburante.
- Non rabboccare il serbatoio con una quantità eccessiva di carburante.

Istruzioni di sicurezza per la manutenzione



AVVERTENZA: Leggere le seguenti avvertenze prima di utilizzare il prodotto.

- I fumi di scarico del motore contengono monossido di carbonio, un gas inodore, velenoso ed estremamente pericoloso. Non avviare il motore in ambienti o spazi chiusi.
- Prima di eseguire la manutenzione del prodotto, arrestare il motore e rimuovere il cavo di accensione dalla candela.
- Indossare guanti protettivi quando si eseguono interventi di manutenzione sulle lame. Le lame sono molto affilate e ci si può ferire facilmente.
- Accessori e modifiche apportate al prodotto che non siano stati approvati dal costruttore possono causare gravi lesioni, anche fatali. Non apportare modifiche al prodotto. Utilizzare sempre accessori approvati dal produttore.

- Se la manutenzione non viene eseguita correttamente e con regolarità, aumenta il rischio di lesioni personali e danni al prodotto.
- Eseguire esclusivamente gli interventi di manutenzione riportati nel presente manuale operatore. Tutti gli altri interventi di manutenzione devono essere svolti da un'officina autorizzata.

- Rivolgersi a un'officina autorizzata per far svolgere regolarmente interventi di manutenzione sul prodotto.
- Sostituire le parti danneggiate, usurate o rotte.

Montaggio

Per rimuovere il prodotto dalla confezione

1. Rimuovere le parti sfuse incluse con il prodotto. Tagliare i quattro angoli del cartone e posare i pannelli terminali in piano.
2. Rimuovere le due viti che fissano il carter della coclea al pallet. Rimuovere le staffe in acciaio dalle piastre di scorrimento se presenti.
3. Rimuovere tutto il materiale da imballaggio.
4. Rimuovere il prodotto dalla confezione e assicurarsi che non vi siano lasciate parti sfuse.

Parti non montate



Manopola (3)



Scivolo di scarico (1)



Chiave di accensione/spegnimento (s)



Bulloni di trasporto 5/16 - 18 x 2 1/4" (2)



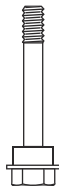
Manopole dell'impugnatura (2)



Controdado 3/8 (1)



Guida cavi (1)



Perni di tranciamento 1/4-20 x 1-3/4 (6)



Controdadi 1/4-20 (6)



Controdado 5/16-18 (1)



Controdado 1/4-20 (1)



Rondella in nylon (1)



Bulloni di trasporto 5/16-18 x 5/8 (1)



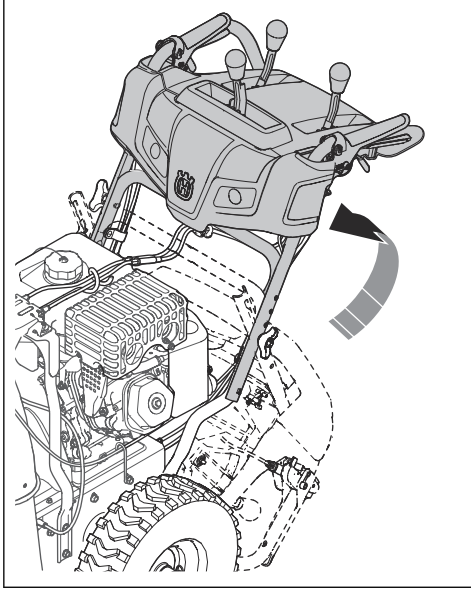
Molla (1)



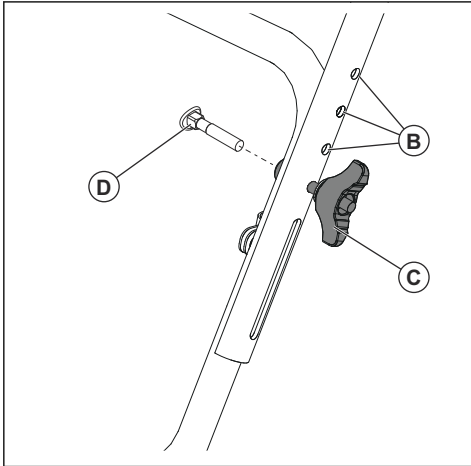
Bullone con flangia 1/4-20 (1)

Come installare l'impugnatura

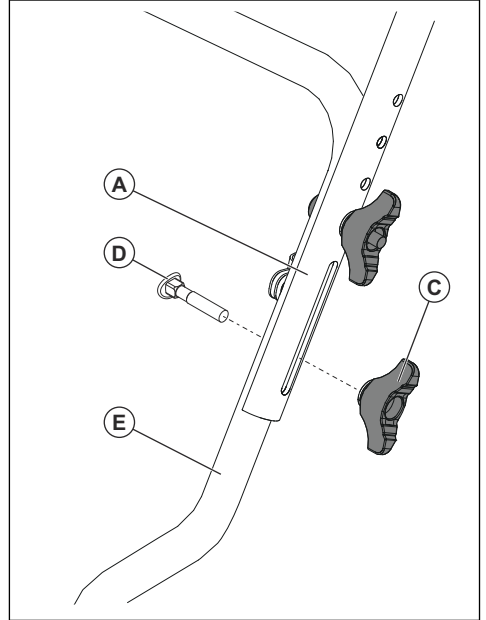
1. Sollevare l'impugnatura superiore in posizione di funzionamento.



2. Regolare la posizione dell'impugnatura su uno dei fori di fissaggio (B) e serrare le manopole (C) con i bulloni di trasporto (D).



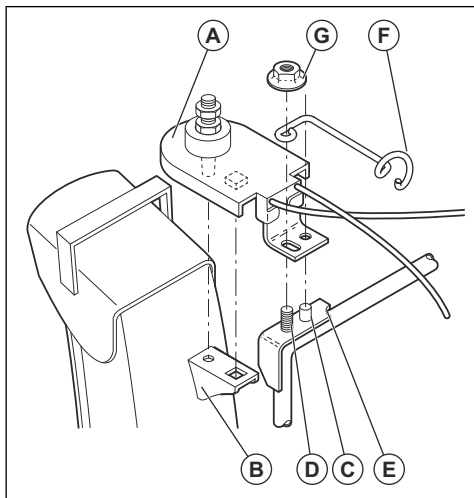
3. Installare più bulloni di trasporto (D) e manopole dell'impugnatura (C) per fissare l'impugnatura superiore (A) all'impugnatura inferiore (E).



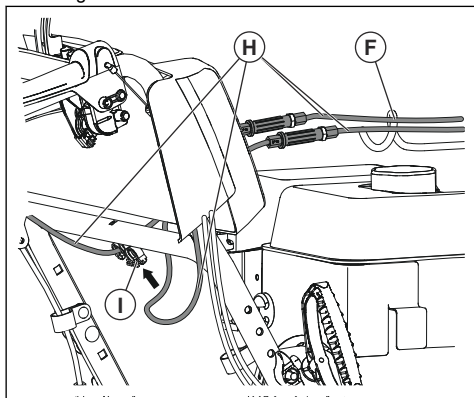
Per installare il deflettore di scarico e la testa rotore di scarico

1. Posizionare il gruppo del deflettore di scarico sulla parte superiore della base di scarico con l'apertura di scarico in direzione della parte anteriore del prodotto.
2. Posizionare la testa rotore di scarico (A) sulla staffa dello scivolo (B). Ruotare il gruppo di deflettore di scarico per allineare i perni sotto la testa rotore di scarico con i fori della staffa dello scivolo se è necessario.
3. Posizionare la testa rotore di scarico sul perno (C) e la vite prigioniera (D) sul supporto di montaggio (E).

4. Fissare un controdado (G) sulla vite prigioniera e serrare.



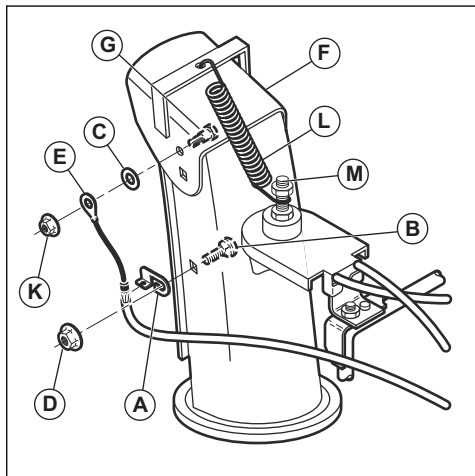
5. Inserire i cavi attraverso la guida cavi (F) e la graffa doppia (I) per collegare il cavo rotore (H) alla maniglia inferiore.



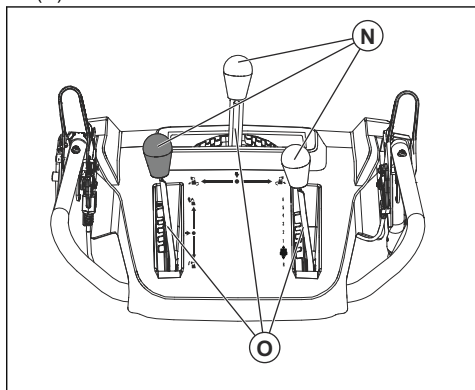
Per montare il telecomando del deflettore di scarico

1. Fissare la staffa del cavo remoto (A) allo scivolo di scarico con un bullone di trasporto (B) e un controdado 5/16-18 (D). Serrare il bullone.

2. Montare l'occhiello del cavo remoto (E) al deflettore di scarico (F) con un bullone di spallamento (G), una rondella nylon (C), quindi serrare con un controdado da ¼-20 (K). L'occhiello del cavo sarà allentato sul bullone di spallamento.
3. Fissare la molla (L) tra il dado esagonale (M) sulla testa rotore di scarico e il foro sul deflettore di scarico.



4. Collegare le manopole di comando della leva (N) premendole verso il basso sulle leve di comando (O).



Utilizzo

Prima di utilizzare il prodotto

- Tenere persone e animali all'esterno dell'area di lavoro.
- Eseguire la manutenzione giornaliera. Vedere *Programma di manutenzione alla pagina 125*.

- Accertarsi che il cavo di accensione si inserisca correttamente sulla candela.
- Aggiungere olio o benzina, se necessario. Vedere *Dati tecnici alla pagina 135*.

Per riempire il motore con olio



ATTENZIONE: Non ruotare l'asta di livello dell'olio quando si effettua il controllo dell'olio. Non riempire oltre il contrassegno.

1. Rimuovere il tappo dell'olio e pulire l'asta di livello. Per la posizione dell'asta di livello, vedere *Panoramica del prodotto alla pagina 112*.
2. Aggiungere l'olio fino al contrassegno superiore sull'asta di livello. Utilizzare l'asta di livello per fare un controllo del livello dell'olio a intervalli regolari.
3. Rimettere il tappo dell'olio.

Per il rifornimento del carburante

Se disponibile, utilizzare benzina alchilata/a basso livello di emissioni. Se non è disponibile benzina alchilata/a basso livello di emissioni, utilizzare benzina senza piombo di buona qualità o benzina contenente piombo. Utilizzare benzina con un numero minimo di ottani pari a 90 RON al di fuori del Nordamerica (87 AKI in Nordamerica) e con una percentuale massima di etanolo del 10% (E10).



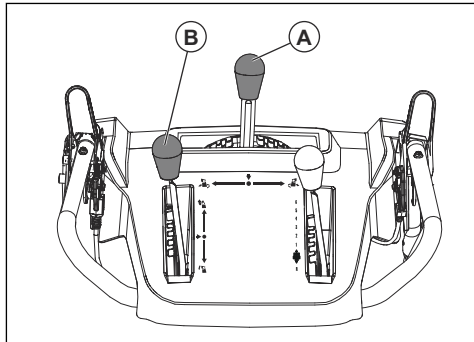
ATTENZIONE: Non utilizzare mai benzina con un numero di ottani inferiore a 90 RON al di fuori del Nord America (87 AKI in Nordamerica). Ciò può causare danni al prodotto.

1. Aprire lentamente il tappo del serbatoio del carburante per rilasciare la pressione.
2. Riempire lentamente il serbatoio con una tanica di carburante. Se si versa del carburante, rimuoverlo con un panno e lasciare asciugare eventuali residui.
3. Pulire l'area intorno al tappo del serbatoio del carburante.
4. Stringere completamente il tappo del serbatoio del carburante. Se il tappo del serbatoio carburante non è serrato, vi è il rischio di incendio.
5. Prima dell'avviamento, spostare il prodotto di almeno 3 m (10 ft) dal punto in cui è stato riempito il serbatoio del carburante.

Per regolare lo scivolo di scarico e il deflettore di scarico

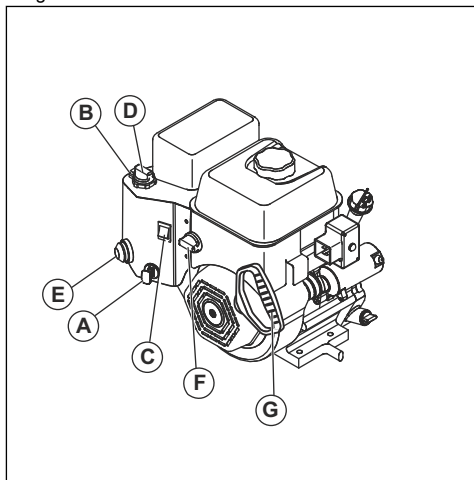
1. Per regolare la posizione dello scivolo di scarico, spostare la leva di comando dello scivolo di scarico (A) all'indietro e verso sinistra o verso destra.

2. Per regolare la distanza del deflettore di scarico neve, spostare la leva di comando remoto del deflettore (B) verso il basso per diminuire la distanza e verso l'alto per aumentare la distanza.



Avviamento del motore, avviamento manuale

1. Inserire la chiave di accensione/spegnimento (A) nella fessura finché non scatta in posizione. Non girare la chiave.



2. Ruotare l'interruttore carburante ON/OFF (F) sulla posizione ON.
3. Portare il comando dell'acceleratore (B) nella posizione "VELOCE".
4. Portare l'interruttore ON/OFF (C) su ON (se in dotazione).
 - a) Se il motore è freddo, ruotare il comando dell'aria (D) sulla posizione PIENO e spingere la pompa (E) tre volte.



ATTENZIONE: Non adescare eccessivamente il motore. Può impedire l'avviamento del motore. Se

il motore è adescato eccessivamente, attendere qualche minuto prima di riprovare ad avviare e non spingere la pompa.

5. Tirare l'impugnatura del cavo di avviamento (G).



ATTENZIONE: Non rilasciare rapidamente l'impugnatura. Riportarla in posizione di avvio lentamente.

Nota: Se l'avviamento del cavo è congelato, estrarre lentamente il più possibile la corda dall'avviamento e rilasciare l'impugnatura del cavo di avviamento. Se il motore non si avvia, ripetere la procedura oppure utilizzare l'avviamento elettrico.

6. Se il comando dell'aria è stato utilizzato per avviare il motore, spostare lentamente il comando dell'aria (D) in posizione OFF.
7. Avviare il motore a regime minimo 2-3 minuti prima di iniziare a spazzare la neve.
8. Se il motore non funziona come dovrebbe, disattivare l'opzione.

Per avviare il motore, avviamento elettrico



AVVERTENZA: Il prodotto dispone di un avviatore elettrico CA 230 V. Non usare l'avviatore elettrico se la casa non dispone di un sistema di messa a terra a tre fili c.a. 230 V. Potrebbero verificarsi gravi lesioni personali o danni al prodotto. L'avviatore elettrico è dotato di una presa di alimentazione a tre fili, ed è progettato per l'utilizzo della corrente domestica c.a. 230 V. Assicurarsi che la propria casa sia dotata di un sistema di messa a terra a tre fili c.a. 230 V. In caso di dubbi, rivolgersi a un elettricista autorizzato.

1. Inserire il tasto ON/OFF (A) nella fessura di accensione finché non scatta in posizione. Non girare la chiave.
2. Ruotare l'interruttore carburante ON/OFF (F) sulla posizione ON.
3. Portare il comando dell'acceleratore (B) nella posizione "VELOCE".
4. Portare l'interruttore ON/OFF (C) su ON (se in dotazione).
 - a) Se il motore è freddo, regolare il comando dell'aria (D) sulla posizione PIENO.
5. Premere la pompa (E) tre volte.



ATTENZIONE: Non adescare eccessivamente il motore. Può impedire l'avviamento del motore. Se il motore è adescato eccessivamente, attendere

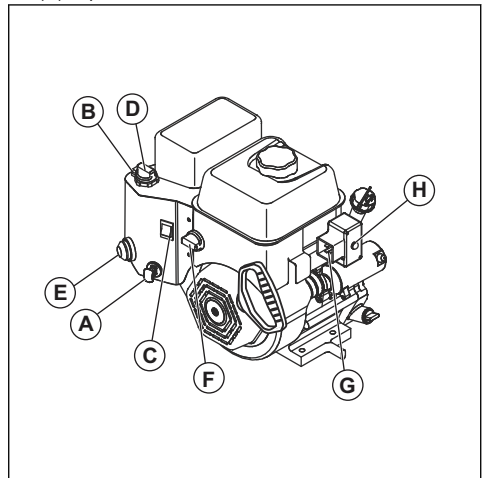
alcuni minuti prima di provare ad avviare e non premere la pompa.

6. Collegare il filo di prolunga al connettore sul motore (G).
7. Collegare l'altra estremità del filo di prolunga a una presa tripolare c.a. 230 V con messa a terra.
8. Premere il pulsante di avviamento elettrico (H) fino a quando il motore non si avvia.



ATTENZIONE: Non avviare il motore per più di cinque secondi consecutivi tra ogni tentativo di avviamento. Attendere 5-10 secondi tra ogni tentativo.

9. Se il comando dell'aria è stato utilizzato per avviare il motore, rilasciare il pulsante di avviamento elettrico e spostare lentamente la leva di comando dell'aria (D) in posizione OFF.



10. Scollegare prima il filo di prolunga dalla presa, quindi dal motore.
11. Avviare il motore a regime minimo 2-3 minuti prima di iniziare a spazzare la neve.

Utilizzo del prodotto



ATTENZIONE: Non azionare senza neve o acqua per lubrificare le lame della coclea. L'uso improprio può causare temperature elevate nelle lame della coclea, soprattutto se il prodotto è nuovo. Questo può provocare danni delle lame della coclea e barra raschiante.

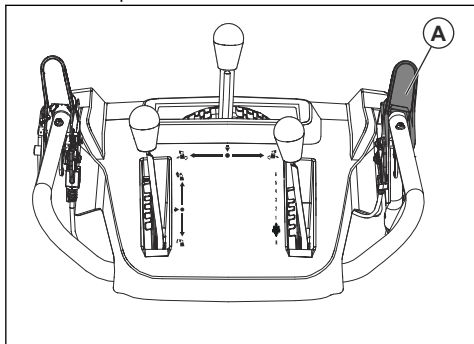


ATTENZIONE: Non innestare parzialmente le leve di trasmissione o della coclea per un lungo periodo di tempo; ciò può portare ad un'usura prematura o bruciature delle cinghie.

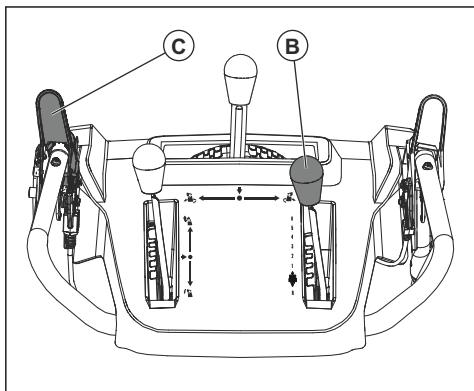
Nota: Quando sia l'innesto della trasmissione sia l'innesto della coclea sono inseriti, l'innesto della trasmissione bloccherà l'innesto della coclea in posizione. Usare la mano destra per controllare lo scivolo di scarico della neve.

Nota: Non modificare la velocità quando la leva di comando è innestata. Ciò può causare danni alla trasmissione.

1. Per innestare le lame della coclea, spingere l'innesto della coclea (A) verso l'impugnatura per innestare la coclea e spazzare la neve.

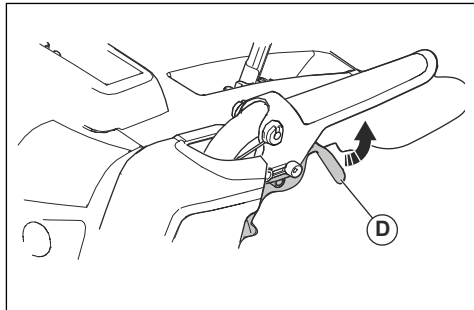


2. Sollevare la leva di comando velocità di trasmissione (B) dalla posizione centrale per far spostare in avanti il prodotto quando l'innesto della trasmissione (C) è innestato. Non modificare la velocità quando la leva di comando è innestata. Ciò può causare danni alla trasmissione.
3. Abbassare la leva di comando velocità di trasmissione dalla posizione centrale per far spostare il prodotto all'indietro, quando l'innesto della trasmissione è inserito.



4. Per far spostare il prodotto nella direzione selezionata, tenere l'innesto della trasmissione (C) contro il manubrio.

5. Se il prodotto in uso dispone dell'idroguida, tenere il comando sinistro dello sterzo (D) per girare a sinistra. Tenere premuto il comando destro dello sterzo per girare a destra.

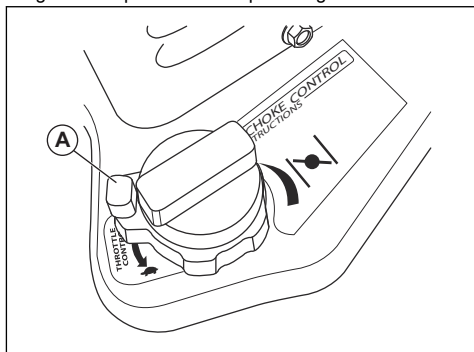


Arresto del prodotto

1. Portare l'interruttore ON/OFF su OFF (se in dotazione).
2. Rimuovere la chiave di accensione/spengimento.

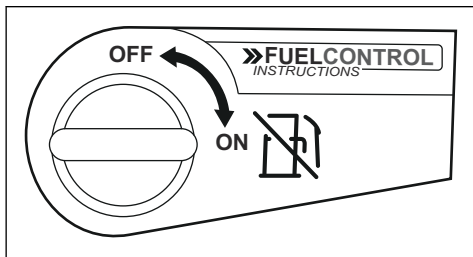
Utilizzo del comando dell'acceleratore

- Ruotare il comando dell'acceleratore (A) per modificare la quantità di carburante consumata. Far girare sempre il motore a pieno regime.



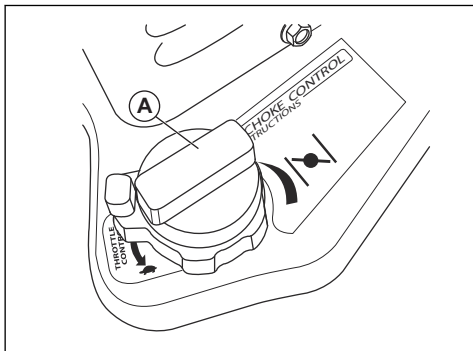
Per utilizzare l'interruttore carburante

- Ruotare l'interruttore del carburante per aprire o chiudere la valvola del carburante. Utilizzare il prodotto con l'interruttore del carburante in posizione "APERTO".



Utilizzo del comando della valvola dell'aria

- Ruotare il comando dell'aria (A) per aprire o chiudere la valvola dell'aria. Utilizzare il comando dell'aria per avviare un motore freddo.

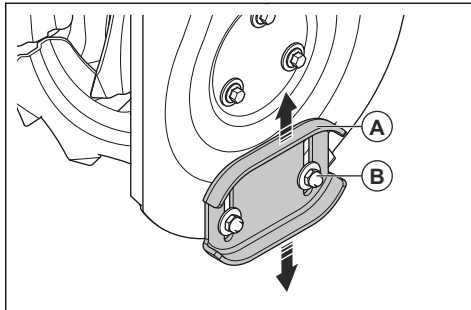


Per regolare le piastre di scorrimento

Non sono necessarie regolazioni per una normale installazione.

1. Quando il controdado (B) è allentato o la piastra di scorrimento (A) non è abbastanza alta da terra, sbloccare il controdado (B) con una chiave da 13 mm a forchetta, per spostare la piastra di scorrimento verso l'alto o verso il basso.
2. Su superfici piane, come strade asfaltate, sollevare le piastre di scorrimento (A) di 5-6 mm (0,2 - 0,25 pollici) dal suolo. Su superfici irregolari, come strade inghiaiate, aumentare lo spazio tra il terreno e il prodotto, con le piastre di scorrimento per far sì che la barra raschiante si trovi sopra la parte superiore della ghiaia. Accertarsi che la ghiaia e i sassi non entrino nel prodotto. Ciò può provocare lesioni personali se gli oggetti vengono espulsi ad alta velocità.

3. Serrare il controdado (B).



Per evitare il congelamento dopo l'uso

Nota: I comandi e le parti mobili possono essere ostruite da ghiaccio. Non esercitare forza eccessiva sui comandi. Se non è possibile azionare un comando o una parte, avviare il motore e lasciarlo in funzione per alcuni minuti.

1. Avviare il motore e lasciarlo girare per qualche minuto. Fermare il motore e attendere l'arresto di tutte le parti mobili.
2. Rimuovere neve e ghiaccio dal prodotto.
3. Rimuovere neve e ghiaccio dalla base dello scarico.
4. Ruotare il deflettore di scarico a sinistra e a destra per rimuovere acqua e ghiaccio.
5. Rimuovere la chiave o portare l'interruttore su "OFF" (se in dotazione).
6. Se il prodotto non dispone di un avviatore elettrico, tirare l'impugnatura del cavo di avviamento più volte per rimuovere acqua e ghiaccio.
7. Se il prodotto è dotato di un avviatore elettrico, collegare il prodotto all'alimentazione e premere il pulsante di avviamento una volta per rimuovere acqua e ghiaccio.

Per ottenere un buon risultato

- Far girare il motore sempre a pieno regime o vicino al massimo.
- Adattare sempre la velocità del prodotto per la situazione della neve e regolare la velocità con la leva di comando velocità di trasmissione. Accertarsi che il prodotto spazzi la neve in modo uniforme.
- È più facile ed efficiente rimuovere la neve subito dopo la caduta.
- Quando possibile, lanciare la neve sottovento.
- Su superfici piane, come strade asfaltate, sollevare le piastre di scorrimento fino a 5-6 mm (0,2 - 0,25 pollici) dal suolo.
- La barra raschiante è reversibile. Quando diviene usurata quasi fino al bordo dell'alloggiamento, rovesciarla. Sostituire la barra raschiante se è danneggiata, o se entrambi i lati sono usurati.

- Non spedire il deflettore dello scivolo se è intasato.
- Se il prodotto non si sposta in avanti a causa di circostanze impreviste, rilasciare immediatamente l'innesto della trasmissione o estrarre la chiave ON/OFF fino alla posizione OFF.

Manutenzione

Introduzione

Quando il prodotto è in uso, i bulloni possono allentarsi e i componenti possono diventare usurati. Ciò può causare un malfunzionamento come distanza di

tolleranza scorretta, aumento del consumo di olio, o disallineamento dei vari componenti. Eseguire la manutenzione periodica del prodotto per evitare malfunzionamenti.

Programma di manutenzione

Manutenzione	Giornaliera	20 ore	50 ore	100 ore
Assicurarsi che i dadi e le viti siano ben serrati	X			
Effettuare un controllo del livello dell'olio motore	X			
Sostituire l'olio ²¹		X	X	X
Assicurarsi che non vi siano perdite di olio o carburante	X			
Rimuovere l'ostruzione, oggetti estranei nella coclea	X			
Controllare la pressione degli pneumatici ²²			X	
Controllare e cambiare la candela ²³				X

Nota: Non è necessario aggiungere grasso o per eseguire altri interventi di manutenzione alla trasmissione.

Controllare il livello dell'olio prima di avviare il prodotto.

Per effettuare un'ispezione generale

- Controllare che tutti i dadi e le viti del prodotto siano ben serrati.

Per eseguire il controllo del livello dell'olio

1. Posizionare il prodotto su un terreno in piano.
2. Rimuovere il tappo del serbatoio dell'olio con l'annessa asta di livello.
3. Pulire l'olio dall'asta di livello.
4. Inserire l'asta di livello interamente all'interno del serbatoio dell'olio per avere un'immagine corretta del livello dell'olio.
5. Rimuovere l'asta di livello.
6. Controllare il livello dell'olio sull'asta di livello.



ATTENZIONE: Se il livello dell'olio è troppo basso si possono verificare danni al motore.

²¹ Sostituire l'olio dopo le prime 20 ore, 50 ore, 100 ore e successivamente ogni 100 ore.

²² Vedere i Dati tecnici per la corretta pressione dei pneumatici.

²³ Controllare e pulire la candela prima dell'uso ogni anno.

7. Se il livello dell'olio è basso, rabboccare con olio motore ed eseguire nuovamente un controllo del livello dell'olio.

Cambio dell'olio motore

1. Azionare il motore per alcuni minuti per riscaldare l'olio. L'olio caldo scorre meglio e contiene più impurità.

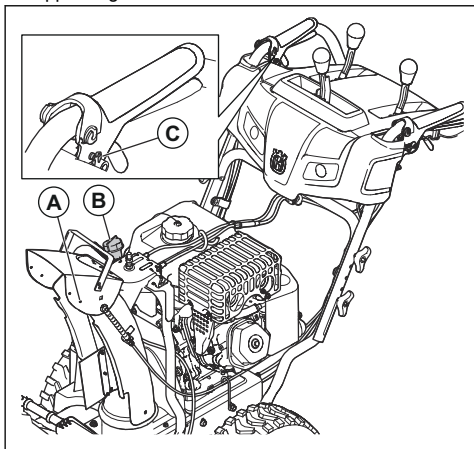


AVVERTENZA: L'olio del motore è caldo. Evitare il contatto della pelle con l'olio motore usato.

2. Posizionare il prodotto su un terreno in piano.
3. Rimuovere il tasto on/off.
4. Collocare un contenitore sotto il tappo di drenaggio dell'olio.
5. Rimuovere il tappo di drenaggio dell'olio, inclinare il prodotto e scaricare l'olio usato nel contenitore.
6. Riportare il prodotto in posizione di funzionamento.
7. Montare il tappo di drenaggio dell'olio e serrarlo a mano.
8. Riempire il motore con olio, vedere *Per riempire il motore con olio alla pagina 121*.

Per lubrificare il prodotto

- Lubrificare i punti di articolazione (A) con l'olio.
- Lubrificazione del motore (B) con l'olio.
- Applicare una piccola quantità di grasso al litio ai punzoni di interblocco (C) all'inizio di ogni stagione, oppure ogni 25 ore di utilizzo.



Marmitta

La marmitta assicura il minimo livello acustico e allontana i fumi di scarico dall'operatore.

Non utilizzare il prodotto se la marmitta è mancante o difettosa. Una marmitta difettosa aumenta il livello acustico e il rischio di incendio.

Esaminare la marmitta periodicamente per assicurarsi che sia collegata correttamente e che non sia danneggiata.



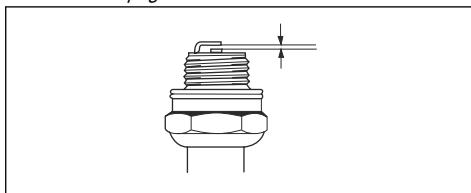
ATTENZIONE: La marmitta si surriscalda durante e dopo l'uso e quando il motore funziona al regime minimo. Prestare attenzione in prossimità di materiali infiammabili e/o fumi per evitare incendi.

Per esaminare la candela



ATTENZIONE: Usare candele originali o del tipo raccomandato. Un tipo di candela errato può danneggiare il prodotto.

- Controllare la candela nel caso in cui il motore giri a bassa potenza, risulti difficile da avviare o non funzioni correttamente al regime minimo.
- Per ridurre il rischio di materiale superfluo sugli elettrodi delle candele, osservare le seguenti istruzioni:
 - a) Accertarsi che il regime minimo sia regolato correttamente.
 - b) Accertarsi che la miscela sia corretta.
 - c) Accertarsi che il filtro dell'aria sia pulito.
- Se la candela è incrostante, pulirla e controllare che la distanza tra gli elettrodi sia corretta; vedere *Dati tecnici alla pagina 135*.



- Sostituire la candela secondo necessità.

Per ispezionare la coclea e la barra raschiante

1. Prima di ogni utilizzo, controllare che la coclea e la barra raschiante non presentino segni di usura.
2. Se il bordo della barra raschiante è usurato, rovesciare la lama raschiante. Se la barra raschiante presenta danni o è usurata su entrambi i bordi, sostituirla.
3. Se i bordi delle coclee sono usurati, contattare un centro di assistenza autorizzato per sostituirli.

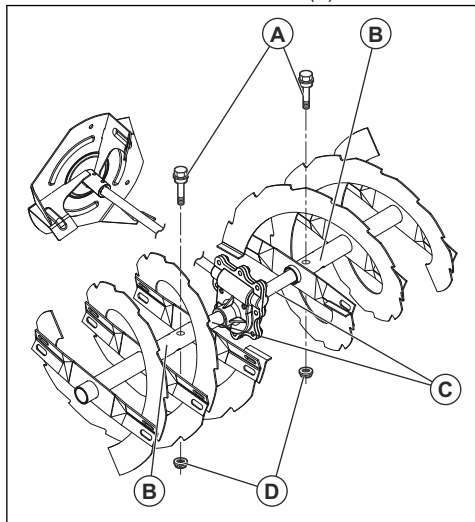
Sostituzione dei perni di tranciamento della coclea

I perni di tranciamento della coclea proteggono il prodotto dai danni. I perni di tranciamento della coclea si rompono se un oggetto penetra all'interno delle parti in movimento.



ATTENZIONE: Utilizzare esclusivamente i perni di tranciamento originali forniti con il prodotto.

1. Se un perno di tranciamento della coclea si rompe, arrestare il motore e attendere che le parti in movimento si arrestino.
2. Rimuovere la chiave ON/OFF e scollegare il cavo della candela.
3. Allineare il foro del mozzo della coclea (B) con il foro sull'albero della coclea (C) e montare un nuovo perno di tranciamento da $\frac{1}{4}$ - 20 x 2 (A)
4. Montare un controdado da $\frac{1}{4}$ -20 (D) e serrare.



5. Inserire la chiave ON/OFF nell'accensione e collegare il cavo della candela alla candela.

Sostituzione dei perni di tranciamento della girante

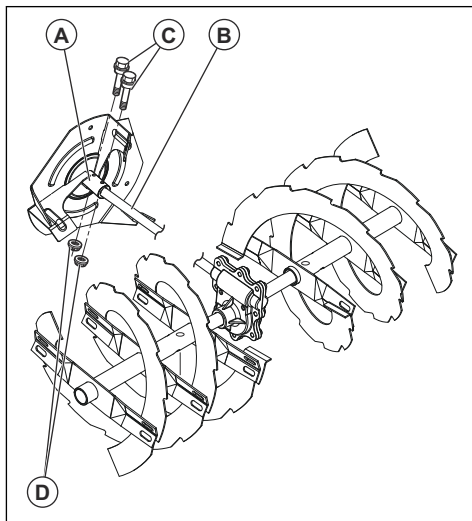
I perni di tranciamento della girante proteggono il prodotto dai danni. I perni di tranciamento della girante si rompono se un oggetto penetra all'interno delle parti in movimento.



ATTENZIONE: Utilizzare esclusivamente i perni di tranciamento originali forniti con il prodotto.

1. Se un perno di tranciamento della girante si rompe, arrestare il motore e attendere che le parti in movimento si arrestino.
2. Rimuovere la chiave ON/OFF e scollegare il cavo della candela.
3. Allineare il foro del mozzo della girante (A) con i fori dell'albero della girante (B) e montare un nuovo perno tranciabile da $\frac{1}{4}$ -20 (C).

4. Montare un controdado da $\frac{1}{4}$ -20 (D) sul perno di tranciamento e serrare.



5. Inserire la chiave ON/OFF nell'accensione e collegare il cavo della candela alla candela.

Esaminare gli pneumatici

- Mantenere gli pneumatici privi di carburante, olio e prodotti chimici per evitare di danneggiare la gomma.
- Mantenere gli pneumatici lontano da ceppi, pietre, solchi, oggetti appuntiti e altri oggetti che potrebbero causare danni ai pneumatici.
- Mantenere la corretta pressione dei pneumatici, fare riferimento a *Dati tecnici alla pagina 135*.

Per rimuovere un deflettore dello scivolo ostruito

Non sbloccare il deflettore dello scivolo prima di aver eseguito le seguenti operazioni.

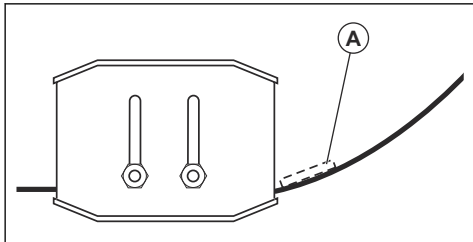
1. Rilasciare l'innesto della coclea e l'innesto della trasmissione allo stesso tempo.
2. Attendere 10 secondi per assicurarsi che le coclee siano ferme.
3. Arrestare il prodotto.
4. Utilizzare lo strumento di pulizia (per almeno 15 secondi, inclusi in alcuni modelli) per rimuovere l'ostruzione.



AVVERTENZA: Non mettere le mani nel deflettore di scarico o all'interno del carter della coclea.

Per sostituire la barra raschiante

1. Quando la barra raschiante (A) è usurata, portarla in posizione inversa sul bordo dell'alloggiamento.



2. Sostituire la barra raschiante se è usurata su entrambi i lati o se è danneggiata.

Cinghie di trasmissione



AVVERTENZA: Le cinghie trapezoidali sul prodotto sono di costruzione speciale e devono essere sostituite dalle cinghie originali del produttore (OEM) disponibili presso il centro di assistenza più vicino. L'uso di cinghie diverse da OEM può causare lesioni personali o danni al prodotto.



AVVERTENZA: La sostituzione della cinghia richiede la separazione dal prodotto. Mentre si separa il carter della coclea dal telaio, è importante che un assistente si trovi in posizione di lavoro e mantenga le maniglie del prodotto. Potrebbero verificarsi gravi lesioni personali e/o danni al prodotto se il prodotto cade durante il processo di sostituzione della cinghia.

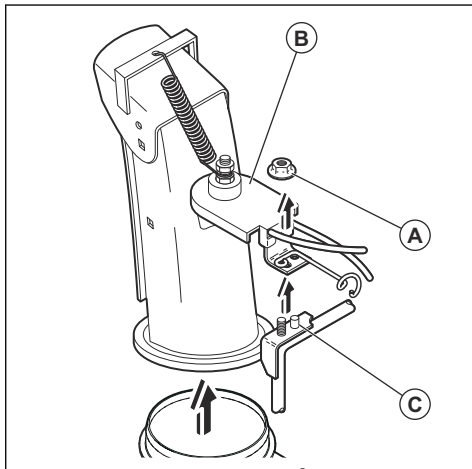
Nota: La coclea e trazione delle cinghie di trasmissione non sono regolabili. Sostituire le cinghie se sono danneggiate o iniziano a slittare a causa dell'usura. Si consiglia di sostituire le cinghie in un centro di assistenza qualificato.

Nota: Si consiglia di sostituire la cinghia di trasmissione e la cinghia della coclea e allo stesso tempo.

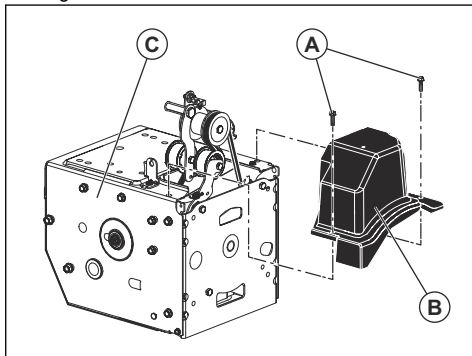
Prepararsi alla sostituzione delle cinghie

1. Rimuovere il carburante dal serbatoio del carburante.

2. Allentare il controdado (A) che fissa la testa rotore di scarico (B) ai supporti di montaggio (C) per rimuovere lo scivolo di scarico.



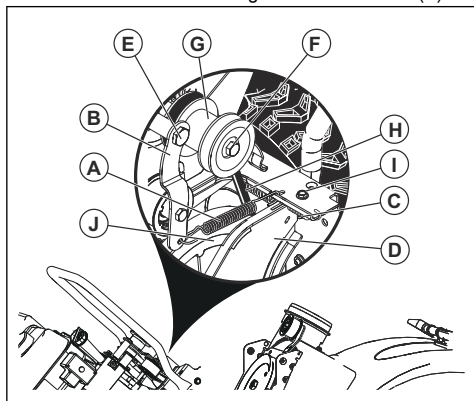
3. Allentare le due viti (A) che fissano il coperchio della cinghia (B) al telaio (C) e togliere il coperchio della cinghia.



Rimozione della cinghia di trasmissione

1. Rimuovere la cinghia della coclea. Vedere *Rimozione della cinghia della coclea alla pagina 130*.

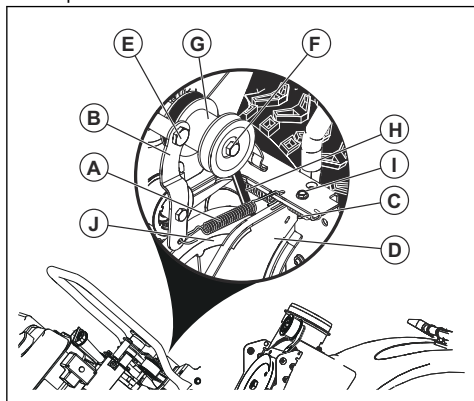
2. Rimuovere la molla del tendicinghia (A) attaccata al braccio tenditore della cinghia di trasmissione (B).



3. Rimuovere la molla di richiamo (C) che fissa la piastra rotante (D) in posizione.
4. Rimuovere il bullone del braccio (E) e il braccio del tendicinghia di trasmissione.
5. Rimuovere il bullone della puleggia (F), la puleggia del motore (G) e la cinghia di trasmissione (H) dal motore.
6. Rimuovere il bullone superiore (I) che fissa la piastra mobile al telaio
7. Ruotare e mantenere la piastra mobile lontano dal prodotto e rimuovere la cinghia di trasmissione dalla puleggia di comando (J).

Installazione della cinghia di trasmissione

1. Ruotare e mantenere la piastra rotante (D) lontano dal prodotto.



2. Inserire la cinghia di trasmissione (H) sulla puleggia di comando (J).

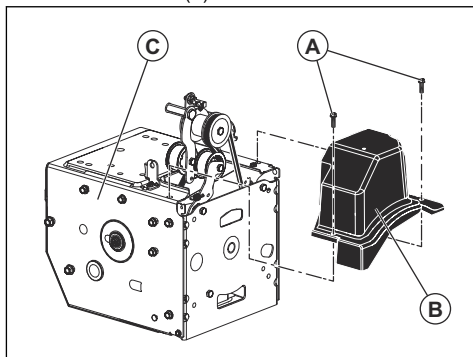
Nota: Assicurarsi che la cinghia di trasmissione sia inserita correttamente nella scanalatura della

puleggia motrice prima di abbassare la piastra rotante.

3. Montare e serrare il bullone superiore (I).
4. Posizionare la cinghia di trasmissione nella scanalatura della puleggia del motore (G) prima di installarla sull'albero motore.
5. Installare il bullone della puleggia (F) e fissare la puleggia motore sul motore. Serrare il bullone della puleggia (30-35 ft. lbs. / 41-47 Nm).
6. Montare il braccio tendicinghia di trasmissione (B) e serrare il bullone del braccio (E) sul motore.
7. Montare la molla di richiamo (C) sulla piastra rotante.
8. Installare la molla del tendicinghia (A) sul braccio del tenditore.
9. Azionare tutti i comandi per assicurarsi che la cinghia di trasmissione sia installata correttamente e che tutti i componenti siano correttamente in movimento.

Per rimuovere il coperchio cinghia

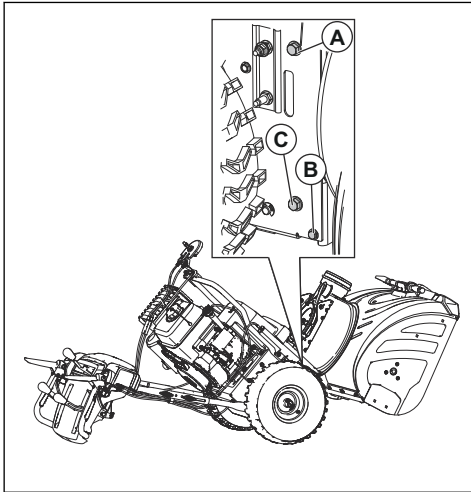
1. Montare il coperchio della cinghia (B) sul telaio (C) e serrare le due viti (A).



2. Montare lo scivolo di scarico.

Rimozione della cinghia della coclea

1. Rimuovere i bulloni da 5/16" (A) e i bulloni inferiori da 1/4" (B) ai 2 ai lati del gruppo del telaio. Non gettare i bulloni.



2. Allentare senza rimuovere i bulloni inferiori da 5/16" (C) ai 2 lati del gruppo del telaio.
3. Smontare la cinghia dalla coclea dalla puleggia del motore.
4. Inclinare la sezione posteriore verso il basso. La sezione anteriore è inclinata in avanti contemporaneamente. Il bullone inferiore (C) è una cerniera tra la sezione anteriore e quella posteriore.
5. Collocare un blocco di legno sotto l'asse di cerniera per collocare il prodotto in posizione inclinata.
6. Spostare il braccio tendicinghia della coclea e rimuovere la cinghia della coclea attorno al braccio.

Montaggio della cinghia della coclea

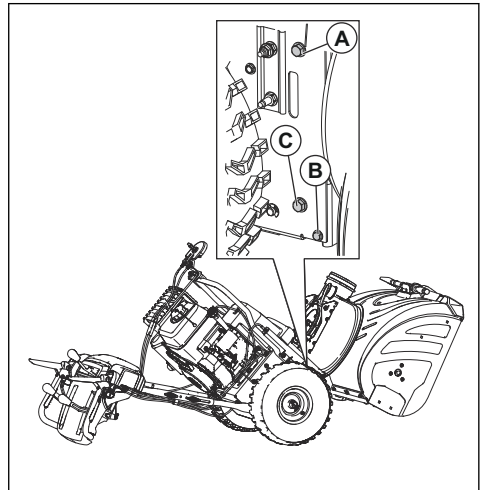
1. Spostare il braccio tendicinghia e posizionare la cinghia della coclea attorno e all'interno della scanalatura della puleggia della coclea.



ATTENZIONE: Assicurarsi che la cinghia non sia incastrata tra il telaio e l'alloggiamento della coclea durante il montaggio.

2. Rimuovere il blocco di legno sotto il prodotto.
3. Sollevare l'impugnatura per inclinare la sezione posteriore verso l'alto. La sezione anteriore si inclinerà all'indietro e ruoterà per collegarsi alla parte posteriore.
4. Assicurarsi che la cinghia sia inserita correttamente nella scanalatura della puleggia della coclea.

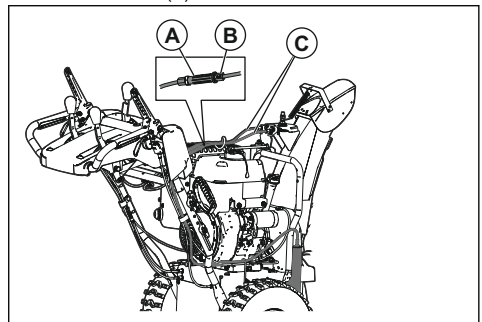
5. Montare i bulloni da 5/16" (A), (C) e serrare (8-12 Ft.Lbs / 11-16 Nm).



6. Montare i bulloni da 1/4" (B) e serrare (4-6 Ft.Lbs / 5-8 Nm).
7. Montare la cinghia della coclea sulla puleggia del motore. Assicurarsi che la cinghia sia correttamente inserita attorno alla puleggia del galoppino e correttamente montata nella scanalatura della puleggia del motore.
8. Azionare tutti i comandi per accertarsi che la cinghia della coclea sia correttamente montata e che tutti i componenti si muovano in modo appropriato.

Per regolare la tensione del cavo per il deflettore dello scivolo di scarico

1. Allentare i controdadi (B) per regolare la tensione del cavo per lo scivolo di scarico adiacente al regolatore tenditore a vite (A).

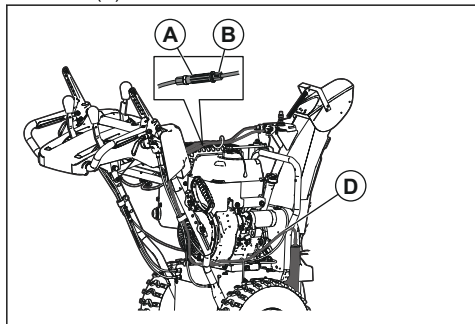


2. Per allungare il tensionatore, mantenere la sezione corta e ruotare la sezione lunga.
3. Regolare fino a quando il cavo per il deflettore dello scivolo di scarico (C) non sia inserito correttamente. Serrare i controdadi.

Regolazione del cavo di comando della coclea

Nota: Se non si ritiene di essere in grado di effettuare la regolazione autonomamente, contattare un centro di assistenza specializzato. Può essere necessario effettuare alcune regolazioni se la rotazione di coclea e girante è lenta dopo aver inserito la leva di comando della coclea o se la cinghia della coclea è stata sostituita.

1. Allentare i controdati (B) accanto al tensionatore (A) per regolare la tensione del cavo di comando della coclea (D).



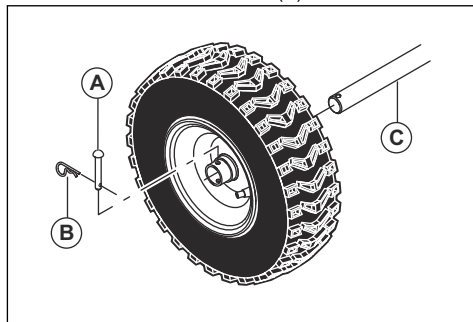
2. Mantenere la sezione corta e ruotare la sezione lunga. Ruotarla di 360 gradi.
3. Verificare l'innesto della coclea. Ripetere la regolazione fino a quando non rimane solo una piccola quantità di tensione nel cavo quando la leva viene disinnestata.
4. Serrare il controdatto inferiore per bloccare la tensione.
5. Chiedere a un collaboratore di posizionarsi a 10 piedi / 3 metri di fronte al prodotto, sul lato opposto del condotto. Il collaboratore osserva la rotazione della coclea e misura il tempo che impiega per interrompere la rotazione dopo il rilascio della leva. Se la coclea smette di girare dopo 5 secondi, regolare il cavo facendo ruotare il cilindro centrale a 360 gradi, per contrarre il tensionatore. Verificare l'innesto della coclea e misurare di nuovo il tempo di arresto. Se la coclea smette di ruotare in meno di 5 secondi, passare alla fase successiva.

6. Serrare il controdatto del cavo della coclea.

Nota: Se la regolazione non risolve il problema, sostituire la cinghia della coclea. Vedere *Rimozione della cinghia della coclea alla pagina 130.*

Smontaggio delle ruote

1. Rimuovere il perno della ruota (A) e il perno di bloccaggio (B).
2. Rimuovere la ruota dall'asse (C).



Per pulire il prodotto

- Pulire le parti in plastica con un panno pulito e asciutto.
- Non utilizzare una lancia ad alta pressione per pulire il prodotto.
- Non dirigere getti d'acqua sul motore.
- Utilizzare una spazzola per rimuovere foglie, erba e sporcizia.

Anomalie di funzionamento

Ricerca dei guasti

Problema	Possibile causa	Soluzione
Il prodotto non si avvia	La chiave di accensione di sicurezza non è inserita.	Inserire la chiave di accensione di sicurezza.
	Il prodotto ha esaurito il carburante.	Riempire il serbatoio del carburante con benzina nuova e pulita.
	L'interruttore ON/OFF è sulla posizione OFF.	Spostare l'interruttore ON/OFF sulla posizione ON.
	Il comando dell'aria è in posizione OFF (CLOSE).	Portare la leva del comando dell'aria in posizione ON (FULL, OPEN).
	La pompa non è premuta.	Premere la pompa.
	Il motore è allagato.	Attendere alcuni minuti prima di riavviarlo, NON azionare la pompa. Riavviare il motore a pieno regime e il comando dell'aria in posizione OFF (CLOSE).
	Il cavo della candela non è collegato.	Collegare il cavo alla candela.
	La candela è difettosa.	Sostituire la candela.
	Presenza di acqua nel carburante o il carburante è troppo vecchio.	Svuotare il serbatoio del carburante e il carburatore. Riempire il serbatoio del carburante con benzina nuova e pulita.
	È presente dello sporco nel tubo del carburante.	Accertarsi che tutte le tubazioni del carburante si trovino al di sotto dell'uscita del serbatoio del carburante. Il condotto dovrebbe scorrere verso il basso senza interruzioni dal serbatoio del carburante al carburatore.
	Altre cause.	Ispezionare attentamente le procedure di avviamento nel presente manuale.
	L'interruttore del carburante (se in dotazione) si trova nella posizione CLOSE (OFF).	Posizionare l'interruttore del carburante in posizione OPEN (ON).
L'acceleratore è in posizione di arresto STOP.	Portare l'acceleratore in posizione FAST (veloce).	

Problema	Possibile causa	Soluzione
Potenza ridotta	Il cavo della candela non è collegato.	Collegare il cavo alla candela.
	Il prodotto getta troppa neve.	Diminuire la velocità e la larghezza dell'andana.
	Il tappo del serbatoio del carburante è coperto di ghiaccio o di neve.	Togliere il ghiaccio e la neve sopra e intorno al tappo del serbatoio del carburante.
	La marmitta è sporca o intasata.	Pulire o sostituire la marmitta.
	Lunghezza cavo errata.	Regolare il cavo.
	La marmitta è bloccata.	Assicurarsi che il motore sia freddo. Eliminare l'inceppamento.
	Le prese d'aria del carburatore sono bloccate.	Assicurarsi che il motore sia freddo. Eliminare l'inceppamento.
Il motore gira al minimo o funziona male	Il comando dell'aria è in posizione ON (PIENO, APERTO).	Spostare il comando dell'aria in posizione OFF (CHIUSO).
	Il tubo del carburante è intasato.	Pulire il tubo del carburante.
	Presenza di acqua nel carburante o il carburante è troppo vecchio.	Svuotare il serbatoio del carburante e il carburatore. Riempire il serbatoio del carburante con benzina nuova e pulita.
	Il carburatore deve essere sostituito.	Contattare un'officina di assistenza autorizzata.
	La cinghia è tesa.	Sostituire la cinghia a V della coclea.
Vibrazione/Movimento della maniglia eccessivi	Alcune parti sono allentate. Le coclee sono danneggiate.	Serrare tutte le viti. Sostituire tutte le parti danneggiate. Se la vibrazione persiste, contattare un centro di assistenza autorizzato.
	Le leve non sono posizionate correttamente.	Accertarsi che le impugnature siano bloccate in posizione.
	I dadi della leva di regolazione sono allentati.	Serrare i dadi fino a quando la maniglia sia sicura.
L'impugnatura del cavo di avviamento è difficile da tirare	L'impugnatura del cavo di avviamento è congelata.	Estrarre lentamente il più possibile la corda dall'avviamento e rilasciare l'impugnatura del cavo di avviamento. Se il motore non si avvia, ripetere la procedura oppure utilizzare l'avviamento elettrico.
	Il cavo di avviamento interferisce con i componenti.	Il cavo di avviamento non deve toccare i cavi o i tubi flessibili.

Problema	Possibile causa	Soluzione
Perdita di trazione/rallentamento della velocità della trasmissione	La cinghia slitta.	Regolare il cavo. Regolare la cinghia.
	La cinghia è usurata.	Controllare/sostituire la cinghia. Regolare la puleggia.
Perdita di scarico della neve o rallentamento nello scarico della neve	La cinghia è fuori dalla puleggia.	Controllare/reinstallare la cinghia. Regolare la puleggia.
	Il deflettore di scarico è intasato.	Pulire il deflettore di scarico.
	Oggetti estranei ostruiscono le coclee.	Rimuovere i detriti o l'oggetto estraneo dalle coclee.
	Il perno di tranciamento è rotto.	Sostituire il perno di tranciamento rotto.
	Accumuli di neve e ghiaccio eccessivi si formano tra i componenti della turbina.	Togliere gli accumuli di neve e ghiaccio dai componenti della pista.
	La ruota di trascinamento ad attrito è usurata.	Contattare un'officina di assistenza autorizzata.
	Il disco di attrito è bagnato	Lasciare che il disco a frizione si asciughi
	Mancata rotazione della coclea dopo il rilascio dell'impugnatura	La cinghia di trasmissione non è allineata.
Il deflettore di scarico non è allineato.		Regolare il deflettore di scarico.
Le spie sono spente (se in dotazione)	Il motore non è in funzione.	Avviare il motore.
	Il collegamento del cavo è allentato.	Controllare i collegamenti dei cavi del motore e delle luci.
	Il LED è bruciato.	Sostituire il modulo luci LED. Singoli LED non possono essere sostituiti.
Il rotore di scarico è difficile da spostare	Sono presenti dei residui nel meccanismo del rotore di scarico.	Pulire le parti interne del meccanismo del rotore di scarico.
	I cavi sono attorcigliati o danneggiati.	Assicurarsi che i bulloni non siano attorcigliati. Sostituire i cavi danneggiati.
Il prodotto ruota su un lato	La pressione dei pneumatici non è uguale.	Regolare la pressione dei pneumatici e riempirli.
	Il prodotto viene azionato con una sola ruota.	Ispezionare il perno di bloccaggio del pneumatico.
	Regolazione della slitta irregolare.	Regolare le piastre di scorrimento e la slitta.
	Regolazione delle piastre di scorrimento irregolare.	Regolare le piastre di scorrimento e la slitta.

Trasporto, stoccaggio e smaltimento

Trasporto e conservazione

- Per trasportare e conservare il prodotto e il carburante, accertarsi che non vi siano perdite o fumi. Scintille o fiamme aperte, provocate ad esempio da dispositivi elettrici o caldaie, possono innescare un incendio.
- Utilizzare sempre contenitori approvati per la conservazione e il trasporto del carburante.
- Svuotare il serbatoio del carburante prima di riporre il prodotto per un lungo periodo di tempo. Smaltire il carburante presso un apposito centro di smaltimento
- Fissare in sicurezza il prodotto durante il trasporto per evitare danni o incidenti.
- Conservare il prodotto in un'area chiusa a chiave per impedire l'accesso a bambini o persone non autorizzate.

- Conservare il prodotto in un luogo asciutto e al riparo dal gelo.

Smaltimento

- Rispettare le norme locali sul riciclaggio e le normative vigenti.
- Smaltire tutte le sostanze chimiche, quali olio motore o carburante, presso un centro assistenza o un centro di smaltimento applicabili.
- Quando il prodotto non è più in uso, inviarlo a un rivenditore Husqvarna o smaltirlo presso un impianto di riciclo.

Dati tecnici

Dati tecnici

essere sostituiti in caso di miglioramento del prodotto senza preavviso.

Nota: Tutti i dati, le immagini e le specifiche sono inseriti esclusivamente a scopo di riferimento, e possono

	ST 224	ST 227P	ST 230P
Dimensioni			
Peso, lb / kg	198,6 / 90	212 / 96	237,8 / 108
Pressione di esercizio massima degli pneumatici, PSI	18	18	20
Motore			
Marca / Modello	LCT	LCT	LCT
Cilindrata, cc	208	254	291
Tipo di carburante	Normale senza piombo (massimo 10% di etanolo).		
Capacità serbatoio, galloni/litri	0,31 / 1,17	0,35 / 1,33	0,62 / 2,35
Olio	SAE 5W30 (inferiore a 0 °C (32 °F))		
Capacità olio once / litri	16 / 0,47	20 / 0,59	32 / 0,95
Impianto elettrico			
Candela	F6RTC o F7RTC, distanza: 0,030" (0,762 mm)		
Emissioni di rumore ²⁴			
Livello potenza acustica, misurato dB(A)	105	105	105
Livello di potenza acustica, garantito L _{WA} dB(A)	105	105	105

²⁴ Emissioni di rumore nell'ambiente misurate come potenza sonora (L_{WA}) ai sensi delle direttive CE 2000/14/CE e 2005/88/EC.

	ST 224	ST 227P	ST 230P
Livelli di rumorosità			
Livello di pressione sonora all'orecchio dell'operatore, dB(A)	88,4	88,4	88,4
Livelli di vibrazioni, a_{hveq}²⁵			
Livello di vibrazioni sull'impugnatura, m/s ²	5,74	4,89	4,66

²⁵ Livello di vibrazioni in base alla norma ISO 5349-2 EN 1033.

Dichiarazione di conformità CE

CONTENUTO DELLA DICHIARAZIONE DI CONFORMITÀ CE

Husqvarna AB, SE-561 82 Husqvarna, SVEZIA, dichiara sotto la propria esclusiva responsabilità che il prodotto indicato:

Descrizione	Spazzaneve
Marchio	Husqvarna
Piattaforma / Tipo / Modello	ST 224, ST 227P, ST 230P
Lotto	A partire dal numero di serie 2018 e successivi

è pienamente conforme alle seguenti norme e direttive UE:

Direttiva/norma	Descrizione
2006/42/CE	"relativa alle macchine"
2014/30/UE	"sulla compatibilità elettromagnetica"
2000/14/CE; 2005/88/CE	"sul rumore esterno"

Le norme armonizzate e/o le specifiche tecniche applicate sono le seguenti:

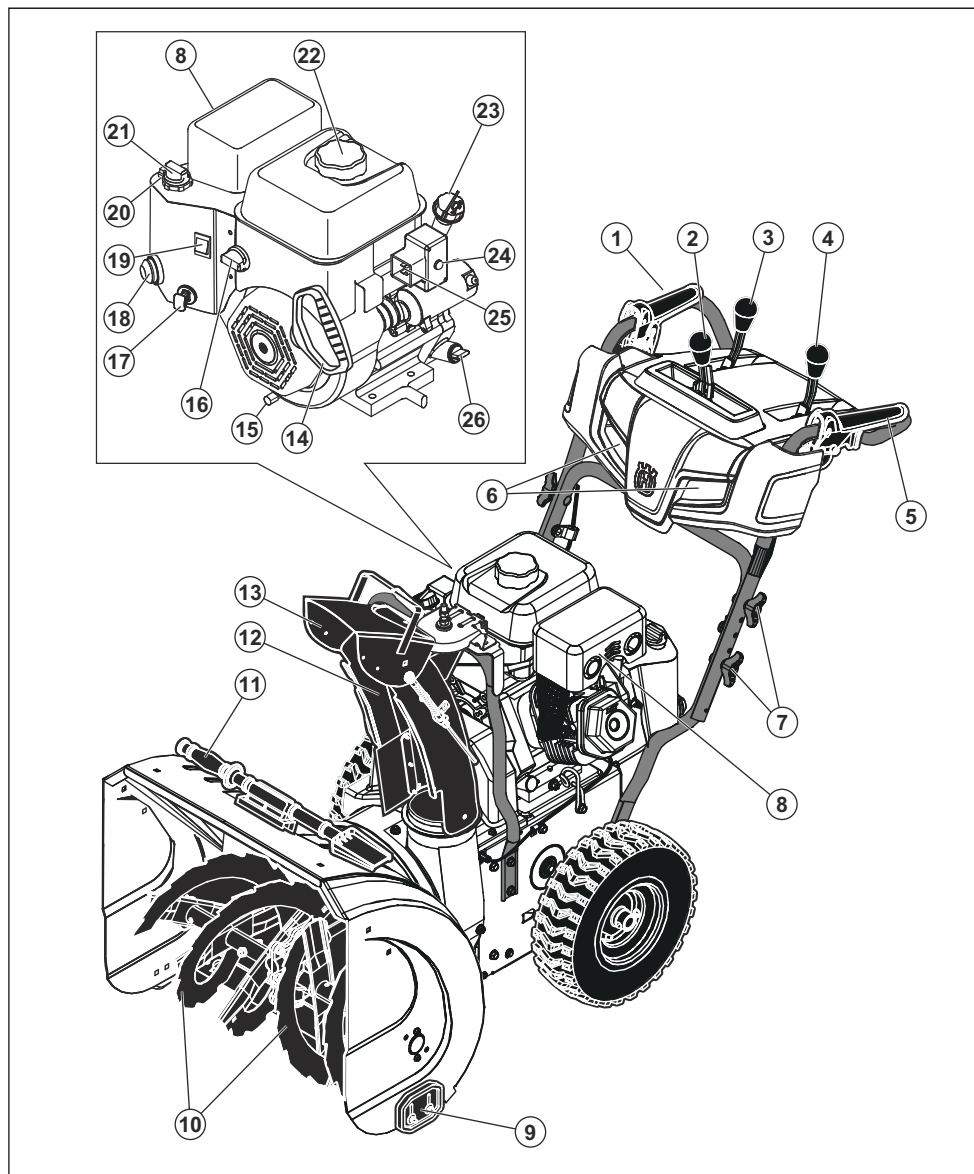
In conformità alla direttiva 200/14/CE, Allegato V, i valori per i livelli sonori dichiarati sono riportati nella sezione Dati tecnici del presente manuale e nel documento firmato Dichiarazione di conformità CE.

Lo spazzaneve fornito è conforme agli esemplari sottoposti a omologazione.

Inhoud

Inleiding.....	139	Probleemoplossing.....	159
Veiligheid.....	142	Vervoer, opslag en verwerking.....	161
Montage.....	145	Technische gegevens.....	162
Werking.....	147	EG verklaring van overeenstemming.....	163
Onderhoud.....	152		

Productoverzicht



1. Inschakeling van de vijzel
2. Besturingshendel uitwerp

3. Besturingshendel rijsnelheid
4. Afstandsbediening besturingshendel uitwerp

5. Inschakeling van de aandrijving
6. Licht
7. Knop hendel
8. Geluiddemper
9. Glijplaat
10. Vijzels
11. Reinigingstool
12. Uitworptrechter
13. Deflector
14. Starthendel
15. Olieaftapplug
16. Brandstofsckakelaar
17. AAN/UIT-sleutel
18. Ontstekingspatroon
19. AAN/UIT-schakelaar (ST 227P, ST 230P)
20. Gashendel
21. Choke
22. Vuldop benzine
23. Olievuldop en peilstok (ST 227P, ST 230P)
24. Knop voor elektrisch starten
25. Aansluiting, elektrisch starten
26. Olievuldop en peilstok (ST 224)



Snel.



Langzaam.



Choke.



Brandstofpomp.



Olie.



Brandstof.



Let op.



Europese machinerichtlijn voor veiligheid.



Stuur links.



Stuur rechts.



Hoogte-instelling vijzel.



Blazer uit.



Blazer aan.



Tractieaandrijving uit.

Productbeschrijving

Het product is een sneeuwruimer op wielen waarmee sneeuw van de grond kan worden verwijderd.

Gebruik

Dit product kan worden gebruikt om sneeuw te verwijderen van velden, wegen, paden en opritten. Gebruik het niet op hellingen met een grotere hellingshoek dan 20°. Gebruik het product niet op terreinen waar veel puin, vuil en uitstekende stenen aanwezig zijn.

Symbolen op het product

Let op: Neem contact op met de distributeur om beschadigde stickers te laten vervangen.



Waarschuwing.



Lees de bedieningshandleiding.



Motor aan



Motor uit.



Tractieaandrijving aan.



Verwijder de beschermingen niet terwijl de motor draait.



Gehoorscherming aanbevolen.



Geluidsvermogeniveau.



AAN/UIT-sleutel. Insteken om te starten te laten draaien.



Choke gesloten (start).



Brandstofpomp.



Trek aan de startkoordhendel om te starten.



Choke geopend (draaien).



AAN/UIT-sleutel. Uittrekken om te stoppen.



Niet bedienen op hellingen van meer dan 10 graden.



Verwijder bougie voordat u onderhoud uitvoert.



Warm oppervlak.



Brandstofafsluitklep.



Waarschuwing, houd uw handen uit de buurt.



Waarschuwing, houd uw voeten uit de buurt.



Pas op voor wegschietende voorwerpen. Houd omstanders uit de buurt.



Naar links draaien/omlaag duwen/naar rechts draaien.



Vooruit/achteruit.



Omhoog/omlaag.

Productaansprakelijkheid

Zoals uiteengezet in de wet voor productaansprakelijkheid zijn wij niet aansprakelijk voor schade die door ons product wordt veroorzaakt, indien:

- het product niet goed is gerepareerd.
- het product is gerepareerd met onderdelen die niet van de fabrikant afkomstig zijn, of onderdelen die niet zijn goedgekeurd door de fabrikant.
- het product een accessoire bevat dat niet afkomstig is van de fabrikant of niet is goedgekeurd door de fabrikant.
- het product niet is gerepareerd door een erkend servicepunt of door een erkende autoriteit.

Veiligheidsdefinities

De onderstaande definities geven de mate van ernst weer voor elk trefwoord.



WAARSCHUWING: Letsel aan personen.



OPGELET: Schade aan het product.

Let op: Deze informatie maakt het product eenvoudiger in gebruik.

Algemene veiligheidsinstructies

- Gebruik het product op de juiste manier. Onjuist gebruik leidt mogelijk tot letsel of de dood. Gebruik het product uitsluitend voor de taken die in deze handleiding worden genoemd. Gebruik het product niet voor andere taken.
- Volg de instructies in deze handleiding op. Volg de veiligheidssymbolen en veiligheidsinstructies op. Het niet in acht nemen van de instructies en de symbolen kan leiden tot letsel, schade of de dood.
- Gooi deze handleiding niet weg. Gebruik de instructies voor het monteren, gebruiken en onderhouden van uw product. Gebruik de instructies voor een correcte installatie van opzetstukken en accessoires. Gebruik alleen goedgekeurde opzetstukken en accessoires.
- Gebruik nooit een beschadigd product. Neem het onderhoudsschema in acht. Voer alleen onderhoudswerkzaamheden uit waarvoor u in deze handleiding een instructie aantreft. Alle overige onderhoudswerkzaamheden moeten door een erkend servicepunt worden uitgevoerd.
- Deze handleiding kan niet alle situaties beschrijven die zich voor kunnen doen wanneer u dit product gebruikt. Wees voorzichtig en gebruik uw gezond verstand. Gebruik het product niet en voer geen onderhoudswerkzaamheden aan het product uit als u niet zeker bent van de situatie. Neem voor meer informatie contact op met een productexpert, uw dealer, servicewerkplaats of erkende servicepunt.
- Koppel de bougiekabel los voordat u het product monteert, het product opslaat of onderhoudswerkzaamheden uitvoert.
- Gebruik het product niet als de oorspronkelijke specificatie is gewijzigd. Vervang geen onderdelen van het product zonder toestemming van de fabrikant. Gebruik alleen onderdelen die zijn goedgekeurd door de fabrikant. Onjuist onderhoud kan leiden tot letsel of de dood.

- Adem geen dampen in van de motor. Langdurig inademen van de uitlaatgassen van de motor kan een gevaar voor de gezondheid opleveren.
- Start het product niet in gesloten ruimtes of in de buurt van licht ontvlambaar materiaal. De uitlaatgassen zijn heet en kunnen vonken veroorzaken die tot brand kunnen leiden. Onvoldoende ventilatie kan leiden tot ernstig letsel of de dood door verstikking of het inademen van koolmonoxide.
- Wanneer u dit product gebruikt, genereert de motor een elektromagnetisch veld. Het elektromagnetische veld kan schade veroorzaken aan medische implantaten. Raadpleeg uw arts en de fabrikant van het medische implantaat voordat u het product gebruikt.
- Laat het product niet door een kind bedienen. Laat het product niet bedienen door personen die de instructies niet hebben gelezen.
- Zorg ervoor dat u personen met een lichamelijke of geestelijke beperking die het product gebruiken, altijd in de gaten houdt. Er moet te allen tijde een verantwoordelijke volwassene aanwezig zijn.
- Berg het product op in een afgesloten ruimte die niet toegankelijk is voor kinderen of onbevoegde personen.
- Het product kan objecten uitwerpen en letsel veroorzaken. Neem de veiligheidsinstructies in acht om het risico op letsel of de dood te verlagen.
- Blijf in de buurt van het product wanneer de motor is ingeschakeld.
- De gebruiker van het product is verantwoordelijk indien zich een ongeval voordoet.
- Kijk voordat en terwijl u naar achteren loopt, naar achteren en omlaag, zodat u kleine kinderen, dieren of andere risico's waarvoor u kunt vallen, kunt zien.
- Zorg dat er geen onderdelen beschadigd zijn, voordat u het product gebruikt.
- Zorg ervoor dat u minimaal 15 m (50 ft) van andere personen en dieren verwijderd bent, voordat u het product gaat gebruiken. Zorg ervoor dat personen in aangrenzende gebieden weten dat u het product gaat gebruiken.
- Neem nationale en lokale wetgeving in acht. Deze kan het gebruik van het product in sommige situaties beperken of verbieden.

Veiligheidsinstructies voor bediening

- Plaats geen handen of voeten in de buurt van of onder draaiende delen. Blijf altijd uit de buurt van de afvoeropening.
- Ga uiterst behoedzaam te werk als u de machine gebruikt op met grind bedekte oppritten, paden of wegen of als u een dergelijke ondergrond kruist. Wees alert op verborgen gevaren of verkeer.

- Ga na het raken van een vreemd voorwerp als volgt te werk: stop de motor, koppel de kabel los van de bougie, koppel bij elektrische machines de voeding los, inspecteer het product grondig op eventuele schade en repareer de schade alvorens het product opnieuw te starten en te gebruiken.
- Als het product abnormaal gaat trillen, moet u de motor stoppen en onmiddellijk op zoek gaan naar de oorzaak. Trilling is over het algemeen een voorteken van problemen.
- Schakel de motor altijd uit als u uw gebruikshouding verlaat, alvorens de vizelbehuizing of uitworptrechter te ontstoppen en tijdens het repareren, afstellen of inspecteren van de machine.
- Stop de motor en zorg ervoor dat de vizels en alle bewegende onderdelen tot stilstand zijn gekomen alvorens het product schoon te maken, te repareren of te inspecteren. Koppel de bougiekabel los en leg de kabel uit de buurt van de bougie om te voorkomen dat iemand de motor onbedoeld start.
- Laat de motor niet binnen lopen, behalve bij het starten van de motor en voor het transport van het product in of uit het gebouw. Open de buitendeuren; uitlaatgassen zijn gevaarlijk.
- Ga uiterst behoedzaam te werk als u de machine op hellingen gebruikt.
- Gebruik het product nooit zonder de juiste beschermkappen en andere veiligheidsvoorzieningen op hun plaats en in bedrijf.
- Richt de uitworptrechter nooit op personen of op plaatsen waar schade aan eigendommen kan ontstaan. Houd kinderen en andere personen uit de buurt.
- Verg niet te veel van de capaciteit van het product door te veel sneeuw tegelijk te willen verwijderen.
- Gebruik het product nooit bij hoge transportsnelheden op gladde oppervlakken. Kijk achterom en ga behoedzaam te werk als u de machine in zijn achterruit gebruikt.
- Ontkoppel de voeding naar de vizels als het product wordt getransporteerd of niet in gebruik is.
- Gebruik uitsluitend hulpstukken en accessoires die zijn goedgekeurd door de fabrikant van het product (zoals wielvervaarders, contragewichten of cabines).
- Gebruik het product nooit zonder goed zicht of licht. Zorg er altijd voor dat u stevig staat en de hendels stevig vasthoudt. U dient uitsluitend te lopen, nooit te rennen.
- Raak een hete motor of demper nooit aan.
- Gebruik het product niet wanneer u geen geschikte winterkleding draagt. Draag geen wijde kleding die verstrikt kan raken in bewegende delen. Draag schoeisel dat de stabiliteit op gladde oppervlakken verbetert.
- Ga voorzichtig om met brandstof; deze is uiterst brandbaar.
 - Gebruik een jerrycan die is goedgekeurd voor brandstoffen.
 - Tank de machine nooit af bij draaiende motor of als de motor nog heet is.
 - Tank de machine altijd buiten af en ga hierbij uiterst zorgvuldig te werk. Tank de machine nooit binnen af.
 - Vul jerrycans nooit binnen een voertuig of op de vloer van een vrachtwagen of aanhanger als deze met kunststof is afgewerkt. Zet jerrycans vóór het vullen altijd op de grond, uit de buurt van uw auto.
 - Plaats als dit praktisch mogelijk is, op benzine draaiende machines eerst van de vrachtwagen of aanhanger op de grond en tank de machines op de grond af. Als dit niet mogelijk is, verdient het de voorkeur de machines op een aanhanger af te tanken met behulp van een draagbare jerrycan in plaats van rechtstreeks via het vulpistool van een benzinepomp.
 - Houd de tuit voortdurend in contact met de rand van de brandstoftank of de jerrycanopening, totdat het aftanken is voltooid. Gebruik geen automatische sluitklep.
 - Plaats de benzindepot zorgvuldig terug en neem gemorste brandstof op.
 - Als u brandstof op uw kleding knoeit, trek dan onmiddellijk andere kleding aan.
- Gebruik voor alle machines met elektrische aandrijving of elektrische startmotor verlengkabels en contactdozen zoals gespecificeerd door de fabrikant.
- Stel de hoogte van de vizelbehuizing zodanig af dat deze een oppervlak van grind of gebroken steenslag niet raakt.
- Probeer nooit om aanpassingen te maken terwijl de motor loopt (behalve wanneer dit specifiek wordt aangeraden door de fabrikant).
- Draag tijdens het gebruik of bij het afstellen of repareren van de machine altijd een veiligheidsbril of een gelaatsscherm, om de ogen te beschermen tegen voorwerpen die mogelijk uit de machine worden geworpen.

Veiligheid van het werkgebied

- Onderwerp het gebied waar de machine gebruikt gaat worden aan een grondige inspectie en verwijder alle deurmatten, sleeën, ski's, draden en andere voorwerpen.
- Ontkoppel alle koppelingen en plaats de machine in de neutrale stand alvorens de motor te starten.

Persoonlijke beschermingsmiddelen

Draag altijd de juiste persoonlijke beschermingsmiddelen wanneer u het apparaat gebruikt. Dit omvat minimaal stevig schoeisel, oog- en gehoorbescherming. Persoonlijke beschermingsmiddelen nemen de letselrisico's niet weg, maar kunnen de ernst van het letsel beperken als er toch een ongeluk gebeurt.

- Draag altijd een veiligheidsbril of oogbescherming tijdens het gebruik van het product of tijdens het uitvoeren van onderhoud of het repareren van de machine.
- Draag altijd geschikte winterkleding wanneer u het product gebruikt.
- Gebruik altijd hoogwaardige slipbestendige laarzen met goede ondersteuning van de enkels terwijl u het product bedient.
- Draag nooit loszittende kleding die vast kan komen te zitten in de bewegende onderdelen.
- Draag indien nodig goedgekeurde veiligheidshandschoenen. Bijvoorbeeld bij het bevestigen, onderzoeken of reinigen van het mes.
- Gebruik altijd goedgekeurde gehoorbescherming wanneer u het product gebruikt. Langdurig lawaai kan gehoorverlies veroorzaken.
- Start het product niet als er brandstof of motorolie op het product aanwezig is. Verwijder de ongewenste brandstof/olie en laat het product drogen.
- Als u brandstof op uw kleding morst, trek dan direct andere kleding aan.
- Zorg dat er geen brandstof op uw lichaam terecht komt, dit kan letsel veroorzaken. Als er brandstof op uw lichaam terecht komt, verwijder deze dan met water en zeep.
- Start het product niet als er sprake is van een motorlekage. Controleer de motor regelmatig op lekkage.
- Wees voorzichtig met brandstof. Brandstof is licht ontvlambaar en de dampen zijn explosief. Ze kunnen letsel veroorzaken of leiden tot de dood.
- Adem geen brandstofdampen in, dit kan letsel veroorzaken. Zorg voor voldoende ventilatie.
- Rook niet in de buurt van de brandstof of de motor.
- Plaats geen warme voorwerpen in de buurt van de brandstof of de motor.
- Vul geen brandstof bij terwijl de motor is ingeschakeld.
- Zorg ervoor dat de motor koud is wanneer u brandstof bijvult.
- Draai de tankdop langzaam open en laat de druk voorzichtig ontsnappen voordat u brandstof bijvult.
- Vul geen brandstof voor de motor bij in een afgesloten ruimte. Onvoldoende ventilatie kan leiden tot ernstig letsel of de dood door verstikking of het inademen van koolmonoxide.
- Draai de tankdop volledig aan. Als de tankdop niet volledig is aangedraaid, bestaat een risico op brand.
- Verplaats het product minstens 3 m (10 ft) van de plaats waar u de brandstoftank hebt gevuld, voordat u het product start.
- Doe niet te veel brandstof in de brandstoftank.

Veiligheidsvoorzieningen op het product

- Zorg ervoor dat u regelmatig onderhoudswerkzaamheden uitvoert aan het product.

- De levensduur van het product neemt toe.
- Het risico van ongevallen neemt af.

Laat het product regelmatig door een erkende dealer of een erkend servicepunt controleren, zodat er aanpassingen en reparaties uitgevoerd kunnen worden.

- Gebruik geen product met beschadigde beschermingsmiddelen. Als het product beschadigd is, neemt u dan contact op met een erkend servicepunt.

Geluidemper

De uitlaatdemper is bedoeld om het geluidsniveau zo laag mogelijk te houden en om de uitlaatgassen weg te voeren van de gebruiker.

Gebruik het product niet als de demper ontbreekt of beschadigd is. Bij een defecte uitlaatdemper stijgt het geluidsniveau en neemt het risico op brand toe.

Inspecteer de uitlaatdemper regelmatig om te verifiëren of die goed vastzit en niet beschadigd is.



OPGELET: De uitlaatdemper wordt erg heet tijdens en na gebruik en wanneer de motor draait bij stationair toerental. Wees voorzichtig in de buurt van brandbare materialen en/of dampen om brand te voorkomen.

Brandstofveiligheid



WAARSCHUWING: Lees de volgende waarschuwingen voordat u het product gaat gebruiken.

Veiligheidsinstructies voor onderhoud



WAARSCHUWING: Lees de volgende waarschuwingen voordat u het product gaat gebruiken.

- Uitlaatgassen van de motor bevatten koolmonoxide, een geurloos, giftig en uiterst gevaarlijk gas. Start de motor nooit binnenshuis of in gesloten ruimten.
- Voordat u het onderhoud van het product uitvoert, zet u de motor uit en verwijdt u de ontstekingskabel van de bougie.
- Draag veiligheidshandschoenen wanneer u onderhoud aan de messen verricht. De messen zijn zeer scherp en kunnen gemakkelijk snijwonden veroorzaken.
- Accessoires en wijzigingen aan het product die niet zijn goedgekeurd door de fabrikant, kunnen leiden tot ernstig letsel of overlijden. Breng geen wijzigingen aan het product aan. Gebruik alleen accessoires die zijn goedgekeurd door de fabrikant.

- Als het onderhoud niet correct en regelmatig wordt uitgevoerd, neemt de kans op letsel of schade aan het product toe.
- Voer alleen onderhoud uit zoals beschreven in deze bedieningshandleiding. Alle overige onderhoudswerkzaamheden moeten worden uitgevoerd door een erkende servicewerkplaats.
- Laat een erkende servicewerkplaats regelmatig onderhoud aan het product uitvoeren.
- Vervang beschadigde, versleten of defecte onderdelen.

Montage

Het product uit de verpakking verwijderen

1. Verwijder losse onderdelen die bij het product worden geleverd. Snijd de vier hoeken van de doos en leg de eindplaten plat neer.
2. Verwijder de twee schroeven waarmee de vijzelbehuizing aan de pallet is bevestigd. Verwijder de stalen beugels van de glijplaten als deze aanwezig zijn.
3. Verwijder alle verpakkingsmaterialen.
4. Haal het product uit de doos en zorg ervoor dat er geen losse onderdelen in de doos blijven zitten.

Losse onderdelen



Knop (3)



Uitworptrechter (1)



AAN/UIT-sleutel (s)



Slotbouten 5/16-18 x 2 1/4" (2)



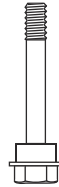
Knoppen hendel (2)



Borgmoer 3/8 (1)



Kabelgeleider (1)



Breekpennen 1/4-20 x 1-3/4 (6)



Borgmoeren 1/4-20 (6)



Borgmoer 5/16-18 (1)



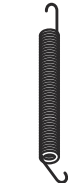
Borgmoer 1/4-20 (1)



Nylon ring (1)



Slotbout 5/16-18 x 5/8 (1)



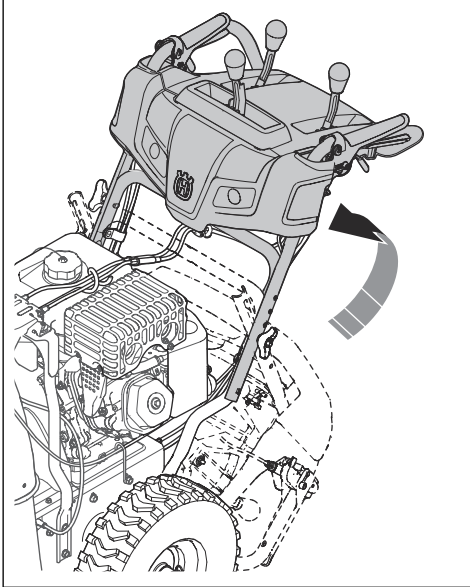
Veer (1)



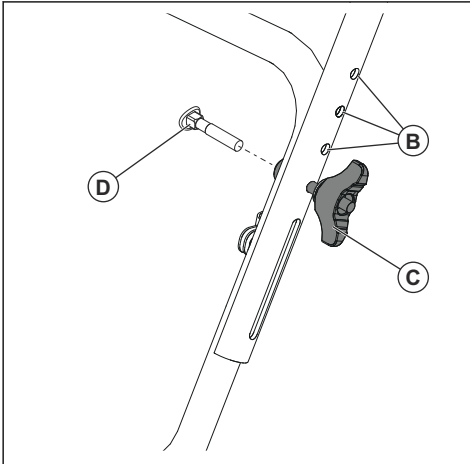
Borstbout ¼-20 (1)

De hendel installeren

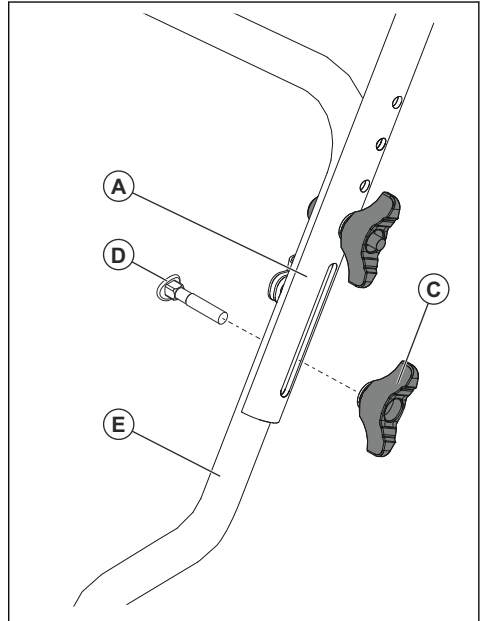
1. Beweeg het bovenste deel van de hendel naar de bedieningspositie.



2. Stel de positie van de hendel in op één van de montagegaten (B) en draai de hendelknoppen (C) vast met de slotbouten (D).



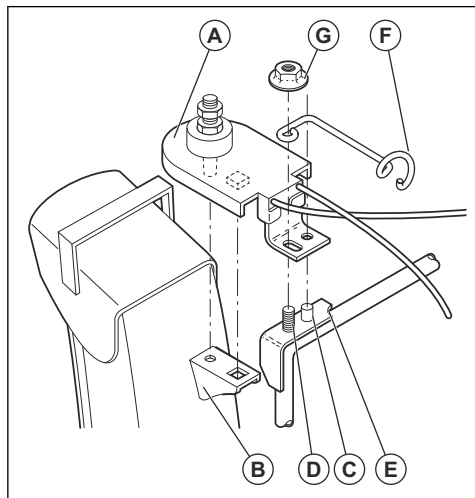
3. Plaats meer slotbouten (D) en hendelknoppen (C) om de bovenste hendel (A) aan de onderste hendel (E) te bevestigen.



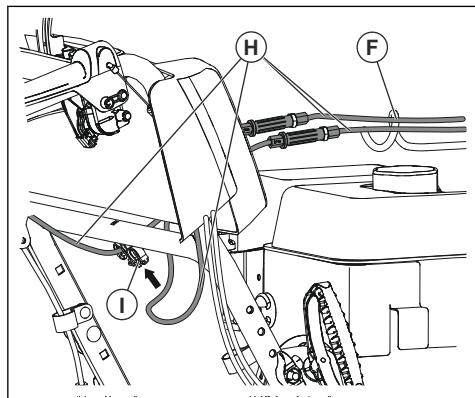
De uitworptrechter en uitworprotokop installeren

1. Plaats de uitworptrechter boven op de voet van de trechter met de uitlaatopening in de richting van de voorzijde van het product.
2. Plaats de uitworprotokop (A) op de beugel van de uitworptrechter (B). Draai indien nodig de uitworptrechter om de pennen onder de uitworprotokop uit te lijnen met de gaten in de beugel.
3. Plaats de uitworprotokop op de pen (C) en de tapbout (D) op de montagesteun (E).

4. Bevestig een borgmoer (G) op de tapbout en draai deze vast.



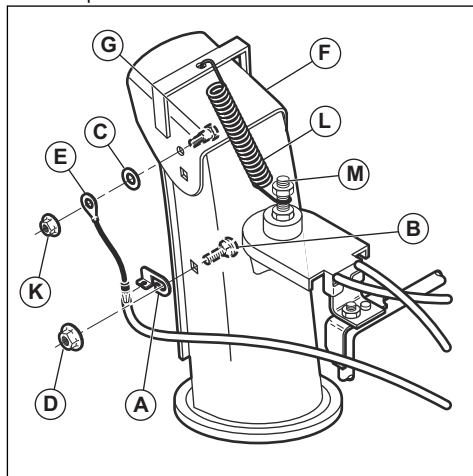
5. Steek de kabels door de kabelgeleider (F) en de dubbele klem (I) om de rotorkabel (H) aan de onderste hendel vast te zetten.



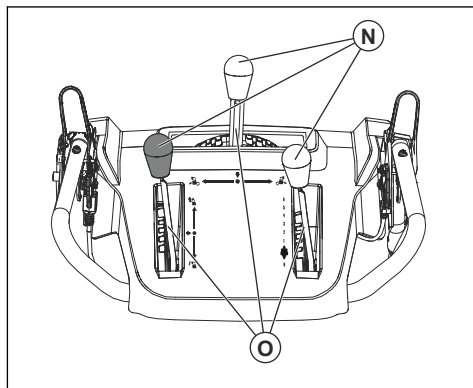
De afstandsbediening van de uitworptrechter installeren

1. Bevestig de beugel van de afstandsbedieningskabel (A) met een slotbout (B) en een borgmoer van 5/16-18 (D) aan de uitworptrechter. Draai de bout vast.

2. Breng het kabeloog (E) van de afstandsbediening aan op de uitworptrechter (F) met een borstbout (G) en een nylon ring (C) en zet deze vast met een borgmoer van 1/4-20 (K). Het kabeloog ligt los op de borstbout.
3. Bevestig de veer (L) tussen de zeskantmoer (M) op de uitworprotorkop en de opening op de uitworptrechter.



4. Bevestig de bedieningsknoppen (N) van de hendel door deze op de bedieningshendels (O) omlaag te drukken.



Werking

Voordat u het product inschakelt

- Houd personen en dieren buiten het werkgebied.
- Voer dagelijks onderhoud uit. Zie *Onderhoudsschema op pagina 152*.
- Zorg ervoor dat de startkabel correct aan de bougie bevestigd is.
- Vul indien nodig olie of benzine bij. Zie *Technische gegevens op pagina 162*.

De motor met olie vullen



OPGELET: Draai de peilstok niet wanneer u de olie controleert. Niet vullen boven de markering.

1. Verwijder de oliedop en maak de peilstok schoon. Zie *Productoverzicht op pagina 139* voor de locatie van de peilstok.
2. Vul olie bij tot de bovenste markering op de peilstok. Controleer de olie regelmatig met de peilstok.
3. Plaats de oliedop terug.

Brandstof bijvullen

Gebruik emissiearme of alkylaatzbenzine, indien beschikbaar. Als er geen emissiearme of alkylaatzbenzine beschikbaar is, gebruik dan een loodvrije benzine van goede kwaliteit, of loodhoudende benzine. Gebruik een benzine met een octaangetal van minimaal 90 RON buiten Noord-Amerika (87 AKI in Noord-Amerika) of hoger en met maximaal 10% ethanol (E10).



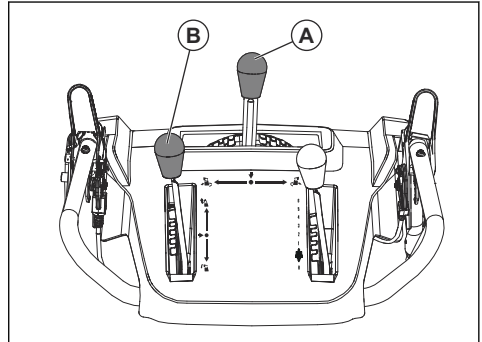
OPGELET: Gebruik geen benzine met een octaangetal lager dan 90 RON buiten Noord-Amerika (87 AKI in Noord-Amerika). Dit kan schade aan het product veroorzaken.

1. Draai de brandstoftankdop langzaam los om de druk te laten ontsnappen.
2. Vul langzaam met een benzinejerrycan. Als u brandstof morst, verwijder deze dan met een doek en laat de resterende brandstof opdrogen.
3. Maak het gebied rondom de brandstoftankdop goed schoon.
4. Draai de tankdop volledig aan. Als de tankdop niet volledig is aangedraaid, bestaat een risico op brand.
5. Verplaats het product minstens 3 m (10 ft) van de plaats waar u de brandstoftank hebt gevuld, voordat u het product start.

De uitworptrechter en de uitworptrechter afstellen

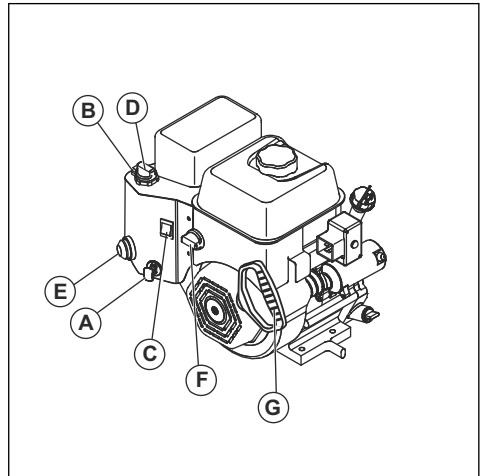
1. Om de positie van de uitworptrechter af te stellen, beweegt u de bedieningshendel van de uitworptrechter (A) naar achteren en naar links of naar rechts.

2. Beweeg de afstandsbedieningshendel (B) van de uitworptrechter omlaag om de afstand te verkleinen en omhoog om de afstand te vergroten.



De motor starten, handmatige start

1. Steek de AAN/UIT-sleutel (A) in het contactslot totdat u een klik hoort. Draai de sleutel niet rond.



2. Zet de AAN/UIT-schakelaar (F) voor brandstof in de stand AAN.
3. Zet de gashendel (B) in de snelle stand.
4. Zet de AAN/UIT-schakelaar (C) in de stand ON (indien aanwezig).
 - a) Als de motor koud is, draait u de choke (D) naar de stand FULL en drukt u drie keer op de primer (E).



OPGELET: Injecteer niet te veel brandstof in de motor. Hierdoor kan het gebeuren dat de motor niet start. Als er te veel brandstof in de motor is geïnjecteerd, wacht u enkele minuten voordat u probeert de motor te starten en drukt u niet op de primer.

5. Trek aan de startkoordhendel (G).



OPGELET: Laat de greep niet te snel los. Beweeg deze langzaam terug in de startpositie.

Let op: Als het startkoord is vastgelopen, trekt u langzaam zoveel mogelijk koord uit de starter en laat u de startkoordhendel vervolgens los. Indien de motor niet start, herhaalt u de procedure of gebruikt u de elektrische startmotor.

6. Als de choke is gebruikt om de motor te starten, zet u de choke (D) langzaam in de stand UIT.
7. Laat de motor 2-3 minuten stationair draaien voordat u begint met sneeuwruimen.
8. Als de motor niet normaal draait, schakelt u deze uit.

De motor starten, elektrische start



WAARSCHUWING: Het product heeft een elektrische starter op 230 V netspanning. Gebruik de elektrische starter niet als uw woning niet is voorzien van gearde stopcontacten van 230 V. Er kan ernstig lichamenlijk letsel of schade aan het product ontstaan. De elektrische startmotor is voorzien van een 3-polige stekker en is ontworpen voor een huishoudelijk stopcontact van 230 V. Zorg ervoor dat uw woning is voorzien van gearde stopcontacten van 230 V. Als u dit niet zeker weet, vraagt u het aan een erkende elektricien.

1. Steek de AAN/UIT-sleutel (A) in het contactslot totdat u een klik hoort. Draai de sleutel niet rond.
2. Zet de AAN/UIT-schakelaar (F) voor brandstof in de stand AAN.
3. Zet de gashendel (B) in de snelle stand.
4. Zet de AAN/UIT-schakelaar (C) in de stand ON (indien aanwezig).
 - a) Als de motor koud is, zet u de choke (D) in de stand FULL.
5. Druk drie keer op de primer (E).



OPGELET: Injecteer niet te veel brandstof in de motor. Hierdoor kan het gebeuren dat de motor niet start. Als er te veel brandstof in de motor is geïnjecteerd, wacht u enkele minuten voordat u probeert de motor te starten en drukt u niet op de primer.

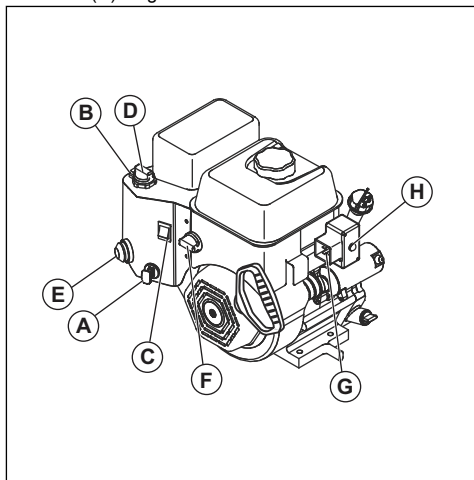
6. Sluit de verlengkabel aan op de aansluiting op de motor (G).
7. Sluit het andere uiteinde van de verlengkabel in aan op een geaard stopcontact van 230 V.

8. Druk op de knop voor elektrisch starten (H) totdat de motor start.



OPGELET: Torn de motor niet langer dan vijf seconden achtereen tussen de keren dat u probeert te starten. Wacht 5 tot 10 seconden voordat u het weer probeert.

9. Als de choke werd gebruikt om de motor te starten, laat u de knop voor elektrisch starten los en zet u de choke (D) langzaam in de stand UIT.



10. Koppel de verlengkabel eerst los van het stopcontact en daarna van de motor.
11. Laat de motor 2-3 minuten stationair draaien voordat u begint met sneeuwruimen.

Het product gebruiken



OPGELET: Bedien de vijzel messen niet zonder sneeuw of water om ze te smeren. Onjuist gebruik kan hoge temperaturen in de vijzel messen tot gevolg hebben, vooral als het product nieuw is. Dit kan leiden tot beschadiging van de vijzel messen en de schraapbalk.

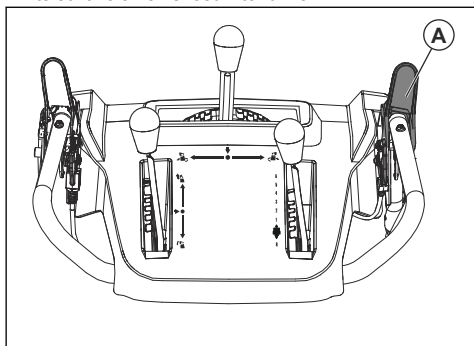


OPGELET: Laat de aandrijving of de vijzelhendels niet gedurende een langere periode gedeeltelijk aangrijpen; dit kan leiden tot voortijdige slijtage of verbranding van de riemen.

Let op: Wanneer zowel de aandrijving als de vijzel aangrijpen, wordt vijzel door de aandrijving op zijn plaats gehouden. Bedien de sneeuwuitworptrechter met de rechterhand.

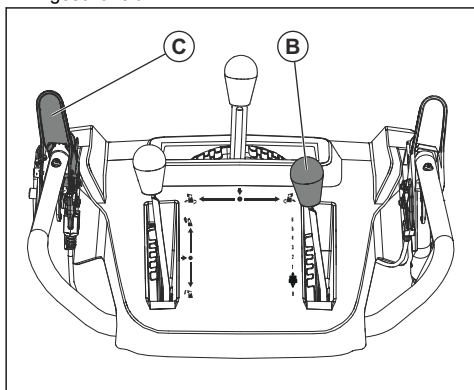
Let op: Verander de snelheid niet wanneer de aandrijfhendel is ingeschakeld. Dit kan schade aan de transmissie veroorzaken.

1. Om de vijzelmesses in te schakelen, drukt u de vijzelinschakeling (A) naar de hendel om de vijzel in te schakelen en sneeuw te ruimen.



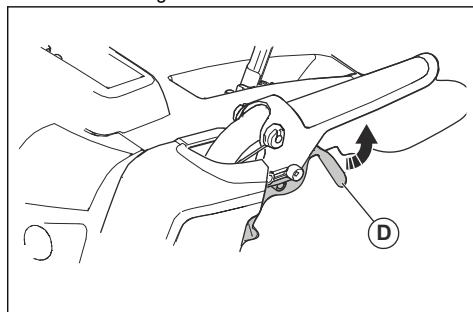
2. Breng de besturingshendel (B) voor de rijnsnelheid van de middelste stand omhoog om het product naar voren te laten bewegen wanneer de aandrijving (C) is ingeschakeld. Verander de snelheid niet wanneer de aandrijfhendel is ingeschakeld. Dit kan schade aan de transmissie veroorzaken.

3. Breng de besturingshendel rijnsnelheid van de middelste stand omlaag om het product naar achteren te laten bewegen wanneer de aandrijving is ingeschakeld.



4. Om het product in de geselecteerde richting te laten bewegen, houdt u de inschakeling (C) van de aandrijving tegen de handgreep aan.

5. Als het product stuurbevestiging heeft, houdt u de linkerdrukschakelaar (D) van de stuurinrichting vast om naar links te gaan. Houdt de rechterdrukschakelaar van de stuurinrichting vast om naar rechts te gaan.

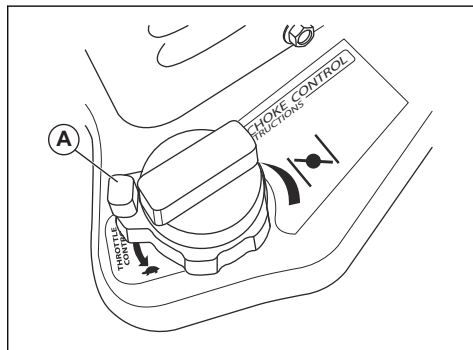


Product stoppen

1. Zet de AAN/UIT-schakelaar in de stand OFF (indien aanwezig).
2. Verwijder de AAN/UIT-sleutel.

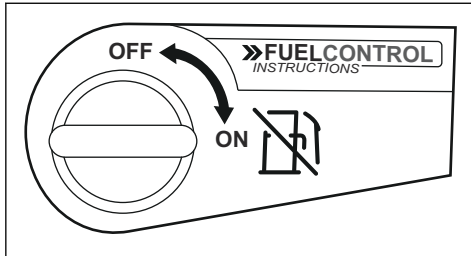
De gashendel gebruiken

- Draai de gashendel (A) om de gebruikte hoeveelheid brandstof aan te passen. Laat de motor altijd op volle toeren draaien.



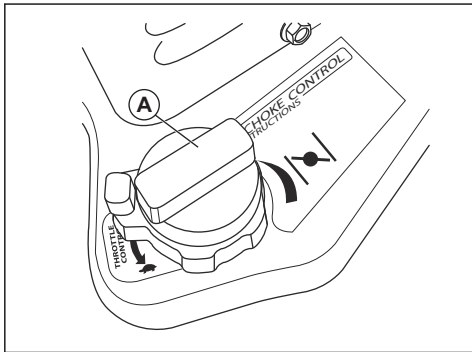
Gebruik van de brandstofschakelaar

- Draai de brandstofschakelaar om de brandstofklep te openen of te sluiten. Bedien het product met de brandstofschakelaar in de stand OPEN.



De choke gebruiken

- Draai de choke (A) om de chokeklep te openen of te sluiten. Gebruik de choke om een koude motor te starten.

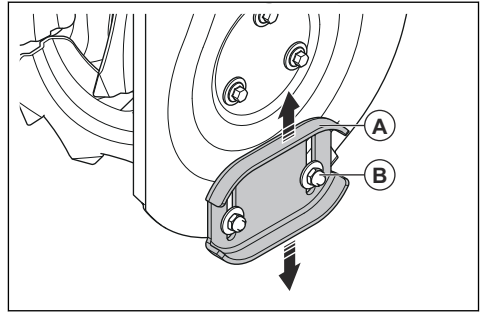


De glijplaten afstellen

Er is geen afstelling nodig voor de normale installatie.

1. Als de borgmoer (B) loszit of de glijplaat (A) niet hoog genoeg van de grond is, maakt u de borgmoer (B) los met een steeksleutel van 13 mm en verplaatst u de glijplaat omhoog of omlaag.
2. Op vlakke oppervlakken, zoals asfaltwegen, zet u de glijplaten (A) 5-6 mm van de grond. Op ongelijkmatige oppervlakken, zoals grindwegen, maakt u de speling tussen de grond en het product groter met de glijplaten om de schraapbalk boven de bovenkant van het grind te krijgen. Zorg ervoor dat geen grind en stenen het product binnendringen. Dit kan lichamelijk letsel veroorzaken als objecten op hoge snelheid worden uitgeworpen.

3. Draai de borgmoer (B) vast.



Vastlopen na gebruik voorkomen

Let op: Bedieningselementen en bewegende onderdelen kunnen vastlopen door ijs. Oefen niet veel kracht uit op de bedieningselementen. Als u een bedieningselement of onderdeel niet kunt bedienen, start u de motor en laat u deze enkele minuten draaien.

1. Start de motor en laat deze enkele minuten draaien. Stop de motor en wacht totdat alle bewegende delen tot stilstand zijn gekomen.
2. Verwijder sneeuw en los ijs van het product.
3. Verwijder sneeuw en los ijs van de onderkant van de trechter.
4. Draai de uitwortrechter naar links en naar rechts om ijs en water te verwijderen.
5. Verwijder de sleutel of zet de schakelaar in de stand 'OFF' (indien aanwezig).
6. Als het product geen elektrische starter heeft, trekt u enkele keren aan de starthendel van het startkoord om ijs en water te verwijderen.
7. Als het product een elektrische starter heeft, sluit u het product aan op de voeding en drukt u één keer op de startknop om ijs en water te verwijderen.

Een goed resultaat verkrijgen

- Laat de motor altijd draaien met volgas of bijna volgas.
- Pas de snelheid van het product altijd aan de sneeuwsituatie aan en pas de snelheid aan met de besturingshendel voor de rijsnelheid. Zorg ervoor dat het product gelijkmatig sneeuw ruimt.
- Het is eenvoudiger en efficiënter om sneeuw direct na het vallen te ruimen.
- Werk zo mogelijk altijd van de wind af.
- Op vlakke oppervlakken, zoals asfaltwegen, zet u de glijplaten 5-6 mm (0,2-0,25") van de grond.
- De schraapbalk is omkeerbaar. Wanneer deze bijna tot de rand van de behuizing is versleten, draait u deze om. Vervang de schraapbalk als deze beschadigd is, of als beide zijden versleten zijn.
- Maak de uitwortrechter niet los als deze verstopt is.

- Als het product door onvoorziene omstandigheden niet in beweging komt, laat u de inschakeling van de aandrijving direct los of trekt u de AAN/UIT-sleutel eruit in de stand UIT.

Onderhoud

Inleiding

Wanneer het product in gebruik is, kunnen de bouten losraken en onderdelen slijten. Dit kan een storing

veroorzaken, zoals een onjuiste speling, een verhoogd oliegebruik of een verkeerde uitlijning van diverse onderdelen. Voer periodiek onderhoud aan het product uit om storingen te voorkomen.

Onderhoudsschema

Onderhoud	Elke dag	20 uur	50 uur	100 uur
Controleer of moeren en schroeven goed vastgedraaid zijn	X			
Controleer het motoroliepeil	X			
Olie verversen ²⁶		X	X	X
Controleer op brandstof- of olie lekkage	X			
Verwijder verstoppingen of vreemde voorwerpen in de vijzel	X			
Controleer de bandenspanning ²⁷			X	
De bougie inspecteren en vervangen ²⁸				X

Let op: Het is niet nodig om de tandwielkast te smeren of er ander onderhoud aan uit te voeren.

Algemene inspectie uitvoeren

- Controleer of de moeren en schroeven op het product goed zijn vastgedraaid.

Oliepeil controleren



OPGELET: Een te laag oliepeil kan ernstige schade aan de motor veroorzaken. Voer een controle van het oliepeil uit voordat u het product start.

1. Zet het product op een vlakke ondergrond.
2. Verwijder de olietankdop met de bijgevoegde peilstok.

3. Veeg de olie van de peilstok.
4. Steek de peilstok volledig in de olietank om een goed beeld van het oliepeil te krijgen.
5. Verwijder de peilstok.
6. Controleer het oliepeil op de peilstok.
7. Als het oliepeil laag is, vult u bij met motorolie en controleert u het oliepeil opnieuw.

De motorolie verversen

1. Laat de motor een paar minuten draaien om de olie op te warmen. Warme olie stroomt beter en voert meer verontreinigingen mee naar buiten.



WAARSCHUWING: De motorolie is heet. Laat geen gebruikte motorolie in contact komen met de huid.

2. Zet het product op een vlakke ondergrond.

²⁶ Ververs de olie na de eerste 20 uur, 50 uur, 100 uur en daarna om de 100 uur.

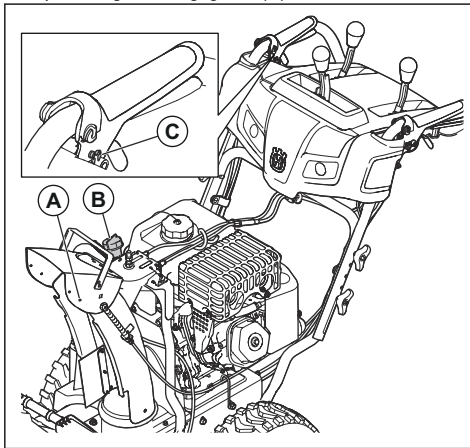
²⁷ Zie Technische gegevens voor de juiste bandenspanning.

²⁸ Controleer en reinig de bougie elk jaar voorafgaand aan het gebruik.

3. Verwijder de AAN/UIT-sleutel.
4. Plaats een opvangbak onder de olieaftapplug.
5. Verwijder de olieaftapplug, kantel het product en laat de gebruikte olie in de opvangbak lopen.
6. Plaats het product weer in de gebruikpositie.
7. Bevestig de olieaftapplug en draai deze met de hand vast.
8. Vul de motor met olie, zie *De motor met olie vullen op pagina 148*.

Het product smeren

- Smeer de scharnierpunten (A) met olie.
- Smeer de motor (B) met olie.
- Breng aan het begin van elk seizoen of na elke 25 bedrijfsuren een kleine hoeveelheid lithiumvet aan op de vergrendelingsgaten (C).



Geluiddemper

De uitlaatdemper is bedoeld om het geluidsniveau zo laag mogelijk te houden en om de uitlaatgassen weg te voeren van de gebruiker.

Gebruik het product niet als de demper ontbreekt of beschadigd is. Bij een defecte uitlaatdemper stijgt het geluidsniveau en neemt het risico op brand toe.

Inspecteer de uitlaatdemper regelmatig om te verifiëren of die goed vastzit en niet beschadigd is.



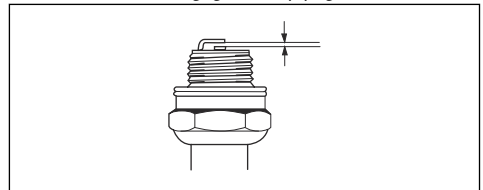
OPGELET: De uitlaatdemper wordt erg heet tijdens en na gebruik en wanneer de motor draait bij stationair toerental. Wees voorzichtig in de buurt van brandbare materialen en/of dampen om brand te voorkomen.

Bougie controleren



OPGELET: Gebruik altijd het juiste bougietype. Een verkeerd type bougie kan schade aan het product veroorzaken.

- Controleer de bougie als de motor weinig vermogen heeft, niet gemakkelijk te starten is of stationair niet goed draait.
- Volg deze instructies om het risico van ongewenst materiaal op de elektroden van de bougie te beperken:
 - a) Zorg ervoor dat het stationair toerental altijd juist is afgesteld.
 - b) Zorg dat het brandstofmengsel correct is.
 - c) Zorg dat het luchtfilter schoon is.
- Maak de bougie schoon als deze vuil is en controleer of de afstand tussen de elektroden correct is, zie *Technische gegevens op pagina 162*.



- Vervang de bougie indien nodig.

De vijzels en de schraapbalk controleren

1. Controleer vóór elk gebruik de vijzels en de schraapbalk op slijtage.
2. Als de rand van de schraapbalk versleten is, draait u de schraapbalk om. Als de schraapbalk aan beide kanten is beschadigd of versleten, vervangt u deze.
3. Als de randen van de vijzels versleten zijn, neemt u contact op met een erkend servicepunt om ze te vervangen.

Breekpennen van de vijzel vervangen

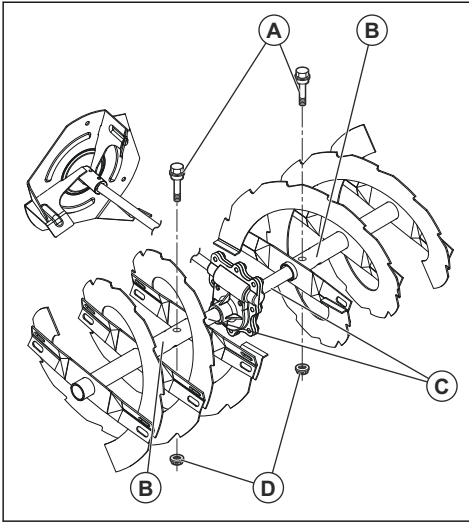
De breekpennen van de vijzel beschermen het product tegen schade. De breekpennen van de vijzel breken als een object in de bewegende delen komt.



OPGELET: Gebruik alleen de originele breekpennen die met het product worden meegeleverd.

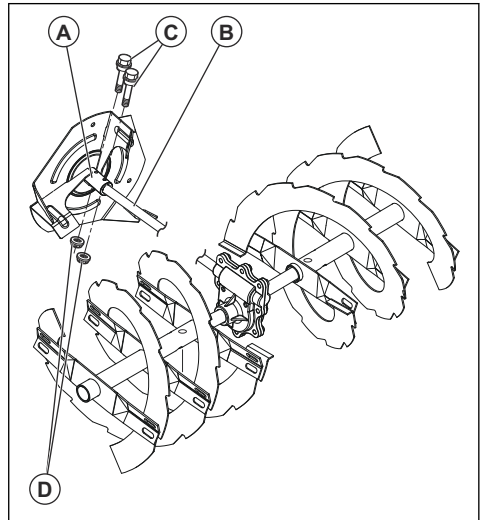
1. Als een breekpen van de vijzel breekt, stop dan de motor en wacht tot de bewegende delen tot stilstand zijn gekomen.
2. Verwijder de AAN/UIT-sleutel en maak de bougiekabel los.
3. Breng het gat in de naaf van de vijzel (B) in lijn met het gat in de vijzels (C) en monteer een nieuwe ¼ - 20 x 2 breekpen (A)

4. Monteer een ¼-20 borgmoer (D) en draai deze vast.



5. Steek de AAN/UIT-sleutel in het contact en sluit de bougiekabel aan op de bougie.

4. Monteer een ¼-20 borgmoer (D) op de breekpen en draai deze vast.



5. Steek de AAN/UIT-sleutel in het contact en sluit de bougiekabel aan op de bougie.

Breekpenen van de rotor vervangen

De breekpenen van de rotor beschermen het product tegen schade. De breekpenen van de rotor breken als een object in de bewegende delen komt.



OPGELET: Gebruik alleen de originele breekpenen die met het product worden meegeleverd.

1. Als een breekpen van de rotor breekt, stop dan de motor en wacht tot de bewegende delen tot stilstand zijn gekomen.
2. Verwijder de AAN/UIT-sleutel en maak de bougiekabel los.
3. Breng het gat in de naaf van de rotor (A) in lijn met het gat in de vijzelas (B) en monteer een nieuwe ¼ -20 breekpen (C).

De banden inspecteren

- Houd de banden vrij van brandstof, olie en chemicaliën om schade aan het rubber te voorkomen.
- Houd de banden uit de buurt van boomstronken, stenen, geulen, scherpe voorwerpen en andere voorwerpen die schade aan de banden kunnen veroorzaken.
- Houd de banden correct op spanning, zie *Technische gegevens op pagina 162*.

Een verstopte uitwortrechterleegmaken

Maak de uitwortrechter pas leeg als u de volgende handelingen hebt verricht.

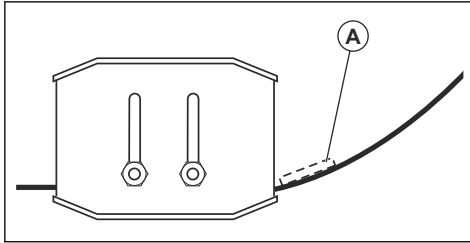
1. Laat de inschakeling van de vijzel en van de aandrijving gelijktijdig los.
2. Wacht 10 seconden om er zeker van te zijn dat de vijzels gestopt zijn.
3. Stop het apparaat.
4. Gebruik de reinigingstool (ten minste 38 cm lang, bijgeleverd bij sommige modellen) om de verstopping te verwijderen.



WAARSCHUWING: Steek uw handen niet in de uitwortrechter of in de vijzelbehuizing.

De schraapbalk vervangen

1. Draai de schraapbalk (A) om wanneer deze aan de rand van de behuizing versleten raakt.



2. Vervang de schraapbalk als deze aan beide zijden versleten is of als deze beschadigd is.

Aandrijfriemen



WAARSCHUWING: De V-riemen op uw product hebben een speciale constructie en moeten worden vervangen door riemen van de oorspronkelijke fabrikant, verkrijgbaar bij het dichtstbijzijnde servicepunt. Het gebruik van andere riemen dan van de oorspronkelijke fabrikant kan tot persoonlijk letsel of schade aan het product leiden.



WAARSCHUWING: Voor de vervanging van de riem moet het product worden gedemonteerd. Wanneer u de vijzelbehuizing losmaakt van het frame is het belangrijk dat een assistent in de bedieningsstand staat en de producthandgrepen vasthoudt. Ernstig lichamenteel letsel en/of schade aan het product kan optreden als het product tijdens het vervangen van de riem valt.

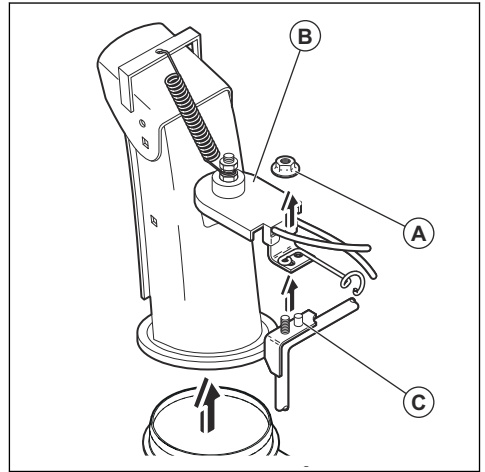
Let op: De vijzel- en tractieaandrijfriemen zijn niet verstelbaar. Vervang de riemen als ze beschadigd zijn of door slijtage gaan slippen. Het is raadzaam de riemen te laten vervangen door een erkent servicepunt.

Let op: Het is raadzaam de aandrijfriem en de vijzelriem tegelijkertijd te vervangen.

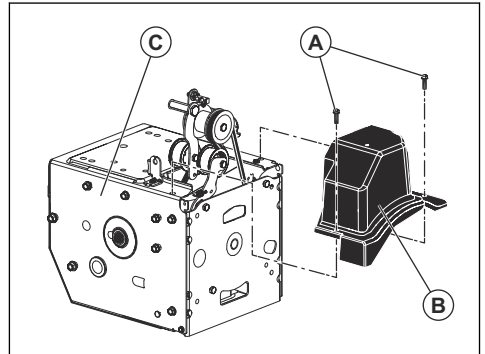
Vorbereiding voor het vervangen van de riemen

1. Tap de brandstof af uit de brandstoftank.

2. Draai de borgmoer (A) los waarmee de uitworprotorkop (B) aan de bevestigingsbeugel (C) vastzit om de uitworptrechter te verwijderen.



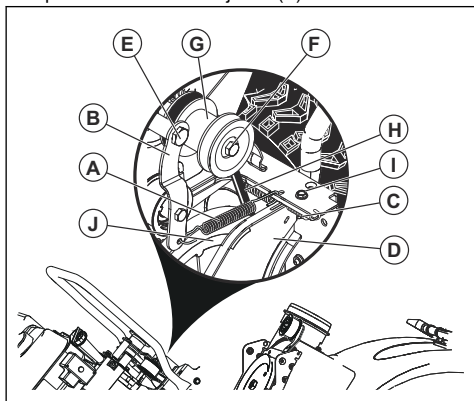
3. Draai de twee schroeven (A) los waarmee de riemkap (B) aan het frame (C) is bevestigd en verwijder de riemkap.



De aandrijfriem verwijderen

1. Verwijder de vijzelriem. Zie *De vijzelriem verwijderen op pagina 157*.

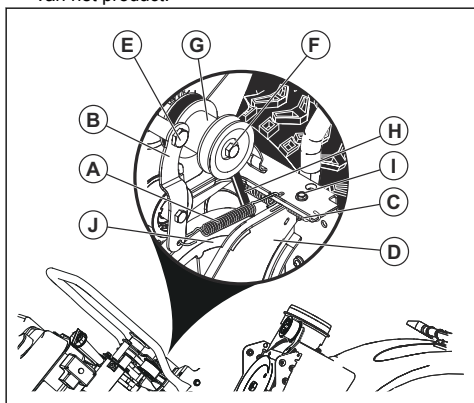
2. Verwijder de spanveer (A) die is bevestigd aan de spanarm van de aandrijfriem (B).



3. Verwijder de terugtrekveer (C) waarmee de zwenkplaat (D) op zijn plaats wordt gehouden.
4. Verwijder de armbout (E) en de spanarm van de aandrijfriem.
5. Verwijder de poeliebout (F), de motorpoelie (G) en de aandrijfriem (H) van de motor.
6. Verwijder de bovenste bout (I) waarmee de zwenkplaat aan het frame vastzit
7. Scharnier en houd de zwenkplaat uit de buurt van het product en haal de aandrijfriem van de aandrijfpoelie (J).

De aandrijfriem aanbrengen

1. Scharnier en houd de zwenkplaat (D) uit de buurt van het product.



2. Plaats de aandrijfriem (H) op de aandrijfpoelie (J).

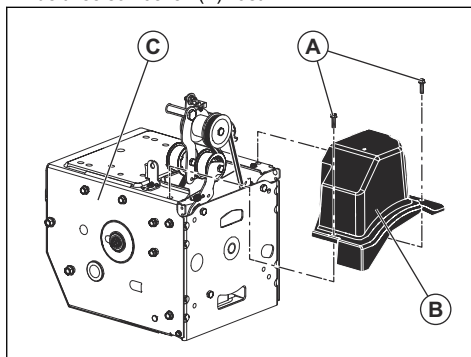
Let op: Zorg ervoor dat de aandrijfriem correct in de groef van de aandrijfpoelie wordt geleid voordat u de zwenkplaat laat zakken.

3. Breng de bovenste bout (I) aan en draai deze vast.

4. Plaats de aandrijfriem in de groef van de motorpoelie (G) voordat u deze op de motoras aanbrengt.
5. Monteer de poeliebout (F) en bevestig de motorpoelie op de motor. Zet de poeliebout vast (30-35 ft. lbs. / 41-47 Nm).
6. Breng de spanarm (B) van de aandrijfriem aan en draai de armbout (E) vast op de motor.
7. Breng de terugtrekveer (C) aan op de zwenkplaat.
8. Breng de spanveer (A) aan op de spanarm.
9. Bedien alle bedieningselementen om er zeker van te zijn dat de aandrijfriem correct is gemonteerd en dat alle onderdelen correct bewegen.

De riemkap installeren

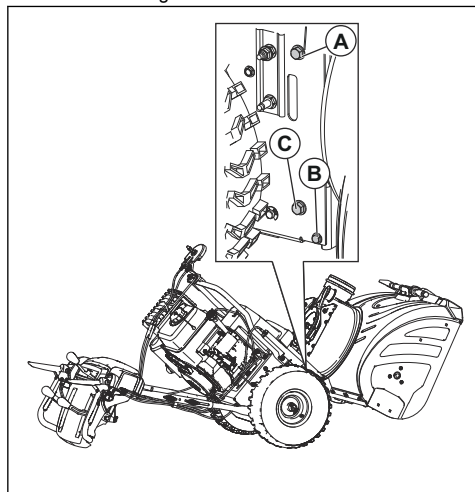
1. Breng de riemkap (B) aan op het frame (C) en draai de twee schroeven (A) vast.



2. Installeer de uitworptrechter.

De vijzelriem verwijderen

1. Verwijder de 5/16" bouten (A) en de onderste ¼" bouten (B) van de 2 zijden van het frame. Gooi de bouten niet weg.



2. Draai de onderste 5/16" bouten (C) aan de 2 zijden van het frame los, maar verwijder ze niet.
3. Verwijder de vijzelriem van de motorpoelie.
4. Kantel het achterste gedeelte omlaag. Tegelijkertijd wordt het voorste gedeelte naar voren gekanteld. De onderste bout (C) is een scharnier tussen het voorste en achterste deel.
5. Plaats een houten blok onder het scharnierpunt om het product in de gekantelde stand te zetten.
6. Beweeg de vijzelriemspannerarm en verwijder de vijzelriem van de arm.

De vijzelriem aanbrengen

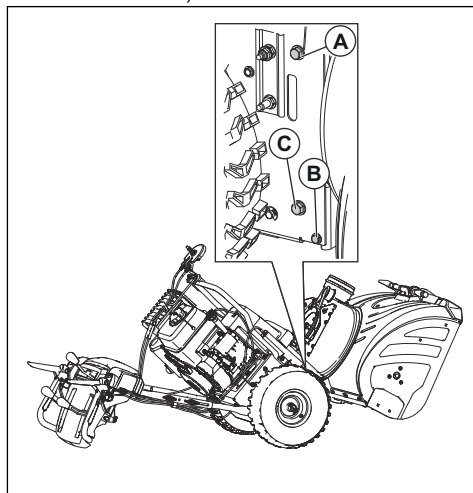
1. Beweeg de riemspannerarm en plaats de riem om en in de groef van de vijzelpoelie.



OPGELET: Zorg ervoor dat de riem niet tussen het frame en het vijzelhuis komt als u de eenheid in elkaar zet.

2. Verwijder het houten blok van onder het product.
3. Til de hendel omhoog om het achterste gedeelte omhoog te kantelen. Het voorste gedeelte kantelt naar achteren en draait om tegen het achterste gedeelte te vallen.
4. Zorg ervoor dat de riem correct in de groef van de vijzelpoelie valt.

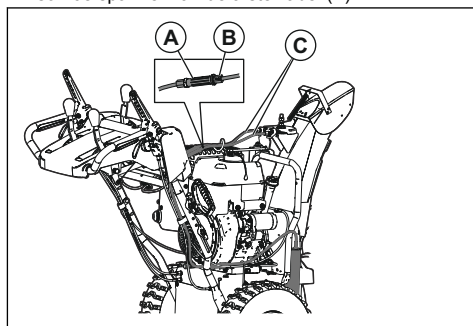
5. Monteer de 5/16" bouten (A), (C) draai ze vast (8-12 Ft.Lbs / 11-16 Nm).



6. Monteer de ¼" bouten (B) en draai ze vast (4-6 Ft.Lbs / 5-8 Nm).
7. Plaats de vijzelriem op de motorpoelie. Zorg ervoor dat de riem correct om de geleidepoelie en in de groef van de motorpoelie valt.
8. Bedien alle bedieningselementen om er zeker van te zijn dat de vijzelriem correct is gemonteerd en dat alle onderdelen correct bewegen.

De spanning van de kabel voor de uitwortrecter van de uitwortrecter afstellen

1. Draai de contraoeren (B) los om de spanning van de kabel te halen voor de uitwortrecter naast de schroefspanner van de afstelkabel (A).

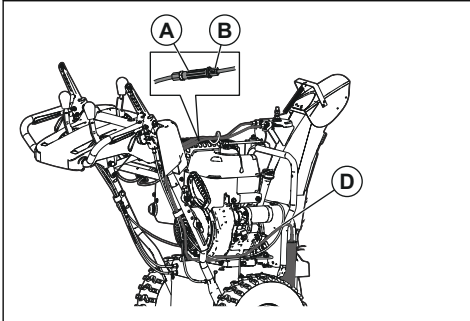


2. Houd het korte gedeelte vast en draai het lange gedeelte om de afstelkabel te verlengen.
3. Pas aan tot de kabel voor de uitwortrecter (C) strak vastzit. Draai de contraoeren vast.

De bedieningskabel van de vijzel afstellen

Let op: Als u deze afstelling liever niet zelf uitvoert, dan kunt u contact opnemen met een geautoriseerd servicecentrum. Afstelling kan nodig zijn als de rotatie van de rotor en de vijzel traag is wanneer de besturingshendel van de vijzel wordt ingeschakeld, of als de riem van de vijzel is vervangen.

1. Draai de contra moeren (B) naast de schroefspanner (A) los om de spanning in de bedieningskabel van de vijzel (D) af te stellen.



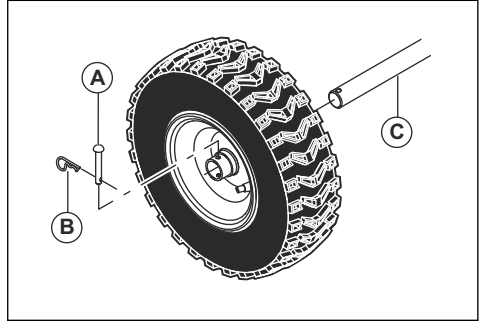
2. Houd het korte gedeelte tegen en draai het lange gedeelte. Draai het 360 graden.
3. Test de inschakeling van de vijzel. Herhaal de afstelling tot er nog maar weinig spanning op de kabel staat wanneer de hendel wordt uitgeschakeld.
4. Draai de onderste borgmoer vast om de spanning vast te houden.
5. Vraag een assistent om 3 meter voor het product te gaan staan, aan de andere kant van de goot. De assistent houdt de rotatie van de vijzel in de gaten en meet hoe lang het duurt voordat de rotatie stopt nadat u de hendel hebt losgelaten. Als de vijzel pas na 5 seconden stopt met draaien, stel dan de kabel af door het middelste gedeelte 360 graden te draaien, zodat de afsteller korter wordt. Test de inschakeling van de vijzel opnieuw en kijk weer hoe lang het duurt voordat de vijzel tot stilstand komt. Als de vijzel binnen 5 seconden stopt met draaien, ga dan door met de volgende stap.

6. Draai de tegenmoer op de kabel vast.

Let op: Als de afstelling het probleem niet verhelpt, vervang dan de riem van de grondboor. Zie *De vijzelriem verwijderen op pagina 157*.

De wielen verwijderen

1. Verwijder de wielpen (A) en de borgpen (B).
2. Verwijder het wiel van de as (C).



Product reinigen

- Reinig de kunststof onderdelen met een schone en droge doek.
- Reinig het product niet met een hogedrukspuit.
- Laat nooit water rechtstreeks op de motor stromen.
- Gebruik een borstel om bladeren, gras en vuil te verwijderen.

Probleemoplossing

Probleemoplossing

Probleem	Mogelijke oorzaak	Oplossing
Het product start niet	De veiligheidscontactsleutel is niet ingestoken.	Plaats de veiligheidscontactsleutel.
	Het product bevat geen brandstof meer.	Vul de brandstoftank met nieuwe, schone benzine.
	De AAN/UIT-sleutel is UIT.	Zet de AAN/UIT-sleutel in de stand AAN.
	De choke is staat in de stand UIT (DICHT).	Zet de choke in de stand AAN (FULL, OPEN).
	Het balgje is niet ingedrukt.	Druk op het balgje.
	De motor is 'verzopen'.	Wacht enkele minuten alvorens opnieuw te starten, injecteer NIET. Start de motor opnieuw terwijl het gaspedaal volledig is ingetrapt en de choke UIT (DICHT) is.
	De bougiekabel is niet aangesloten.	Sluit de kabel aan op de bougie.
	De bougie is defect.	Vervang de bougie.
	Er zit water in de brandstof of de brandstof is te oud.	Leeg de brandstoftank en de carburateur. Vul de brandstoftank met nieuwe, schone benzine.
	Er zit damp in de brandstofleiding.	Zorg dat de hele brandstofleiding onder de uitgang van de brandstoftank loopt. De brandstofleiding moet ononderbroken omlaag lopen van de brandstoftank naar de carburateur.
	Andere oorzaken.	Inspecteer de startprocedures in deze handleiding zorgvuldig.
	De brandstofsckelaar (indien aanwezig) staat in de stand DICHT (UIT).	Zet de motorsckelaar in de stand OPEN (AAN).
De gashendel staat in de stand STOP.	Zet de gashendel in de snelle stand.	

Probleem	Mogelijke oorzaak	Oplossing
Verminderd vermogen	De bougiekabel is niet aangesloten.	Sluit de kabel aan op de bougie.
	Het product ruimt te veel sneeuw.	Verlaag de snelheid en de breedte van het zwad.
	De dop van de brandstoftank is bedekt met ijs of sneeuw.	Verwijder ijs en sneeuw op en rond de brandstoftankdop.
	De demper is vuil of verstopt.	Reinig of vervang de demper.
	Incorrecte kabellengte.	Pas de kabellengte aan.
	De demper is geblokkeerd.	Zorg ervoor dat de motor afkoelt. Verwijder de blokkade.
	De luchtinlaat van de carburateur is geblokkeerd.	Zorg ervoor dat de motor afkoelt. Verwijder de blokkade.
De motor stopt of loopt stroef	De choke is staat op AAN (FULL, OPEN).	Zet de choke op UIT (DICHT).
	De brandstofleiding is verstopt.	Maak de brandstoftank schoon.
	Er zit water in de brandstof of de brandstof is te oud.	Leeg de brandstoftank en de carburateur. Vul de brandstoftank met nieuwe, schone benzine.
	De carburateur moet worden vervangen.	Neem contact op met een erkend servicepunt.
	De riem is uitgerekt.	Vervang de V-riem van de vijzel.
Overmatige trilling / beweging van de handgreep	Sommige onderdelen zitten los. De vijzels zijn beschadigd.	Zet alle afsluitingen vast. Vervang de beschadigde onderdelen. Neem contact op met een erkend servicepunt als de trillingen niet verdwijnen.
	De handgrepen zijn niet goed geplaatst.	Zorg ervoor dat de handgrepen in de juiste stand zijn vergrendeld.
	De moeren van de afstelhendels zitten los.	Haal de moeren aan tot de hendel veilig aanvoelt.
De starthendel van het startkoord is moeilijk aan te trekken	De starthendel van het startkoord is vastgelopen.	Trek langzaam zoveel mogelijk koord uit de starter en laat de startkoordhendel vervolgens los. Indien de motor niet start, herhaalt u de procedure of gebruikt u de elektrische startmotor.
	Het startkoord komt tussen andere onderdelen.	Het startkoord mag geen kabels of slangen raken.

Probleem	Mogelijke oorzaak	Oplossing
Verlies van tractieaandrijving/afname van de rijsnelheid Verlies van sneeuwlozing of langzaam wordende sneeuwlozing	De riem slipt.	Pas de kabel lengte aan. Pas de riem aan.
	De riem is versleten.	Controleer/vervang de riem. Pas de poelie aan.
	De riem is van de poelie gelopen.	Controleer/installeer de riem. Pas de poelie aan.
	De uitworptrechter zit verstopt.	Reinig de uitworptrechter.
	Vreemde voorwerpen verstopen de vijzels.	Verwijder het vuil of het vreemde voorwerp uit de vijzels.
	De breekpen is defect.	Vervang de defecte breekpen.
	Overmatige sneeuw- en ijsafzetting tussen de bandonderdelen.	Verwijder sneeuw- en ijsafzetting tussen de bandonderdelen.
	Het frictieaandrijf wiel is versleten.	Neem contact op met een erkend servicepunt.
Geen vijzelrotatie nadat de greep is losgelaten	De aandrijfriem is niet uitgelijnd.	Stel de aandrijfriem af.
	De deflector van de uitworptrechter is niet uitgelijnd.	Stel de deflector van de uitworptrechter af.
De lichten zijn niet aan (indien aanwezig)	De motor draait niet.	Start de motor.
	De kabelverbinding is los.	Controleer de kabelverbindingen bij de motor en de lampen.
	De ledlamp is doorgebrand.	Vervang de ledlampmodule. Individuele led's kunnen niet worden vervangen.
De uitworprotor beweegt stroef	Er zit vuil in het mechanisme van de uitworprotor.	Reinig de interne onderdelen van het uitworprotormechanisme.
	De kabels zijn geknikt of beschadigd.	Controleer of de kabels niet geknikt zijn. Vervang de kabels die beschadigd zijn.
Het product draait naar één kant	De bandenspanning is niet gelijk.	Pas de bandenspanning aan en vul de band.
	Het product rijdt met slechts één wiel.	Controleer de borgpen van de band.
	Ongelijkmatige sledeafstelling.	Stel de glijplaten en de slede af.
	Ongelijkmatige glijplaatafstelling.	Stel de glijplaten en de slede af.

Vervoer, opslag en verwerking

Transport en opslag

- Controleer voor opslag en vervoer van het product en de brandstof of er geen lekken of dampen zijn. Vonken of open vuur, bijvoorbeeld van elektrische apparaten of ketels, kunnen tot brand leiden.

- Gebruik altijd goedgekeurde containers voor opslag en transport van brandstof.
- Leeg de brandstoftank voordat u het product voor langere tijd opslaat. De brandstof via een geschikte verwijderingslocatie afvoeren

- Zet het product tijdens het vervoer veilig vast om schade en ongevallen te voorkomen.
- Bewaar het product in een afgesloten ruimte om toegang door kinderen of onbevoegde personen te verhinderen.
- Bewaar het product in een droge en vorstvrije ruimte.
- Voer alle chemicaliën, zoals olie of brandstof, af via een servicecentrum of een geschikte verwijderingslocatie.
- Wanneer het product niet langer in gebruik is, stuur het dan naar een Husqvarna dealer of voer het af via een recyclingslocatie.

Afvoeren

- Neem de plaatselijk geldende wet- en regelgeving voor recycling in acht.

Technische gegevens

Technische gegevens

voorafgaande kennisgeving vanwege productverbetering worden gewijzigd.

Let op: Alle gegevens, afbeeldingen en specificaties zijn typisch en alleen ter referentie en kunnen zonder

	ST 224	ST 227P	ST 230P
Afmetingen			
Gewicht, lb/kg	198,6/90	212/96	237,8 / 108
Max bandenspanning in bedrijf, PSI	18	18	20
Motor			
Merk/Model	LCT	LCT	LCT
Cilinderinhoud, cc	208	254	291
Brandstoftype	Normaal loodvrij (maximaal 10% ethanol)		
Inhoud brandstoftank gallon/liter	0,31/1,17	0,35/1,33	0,62/2,35
Olie	SAE 5W30 (onder 0 °C (32 °F))		
Inhoud olietank ounce/liter	16/0,47	20/0,59	32/0,95
Elektrisch systeem			
Bougie	F6RTC of F7RTC, afstand: 0,030" (0,762 mm)		
Geluidsemisies ²⁹			
Geluidsvermogeniveau, gemeten dB(A)	105	105	105
Geluidsvermogeniveau, gegarandeerd L _{WA} dB(A)	105	105	105
Geluidsniveau			
Geluidsdruk niveau bij het oor van de gebruiker, dB(A)	88,4	88,4	88,4
Trillingsniveaus, a_{hveq} ³⁰			
Trillingsniveau op de hendel, m/s ²	5,74	4,89	4,66

²⁹ Geluidsemisie naar de omgeving gemeten als geluidsvermogen (L_{WA}) volgens EG-richtlijnen 2000/14/EG en 2005/88/EG.

³⁰ Trillingsniveau volgens EN 5349-2 EN 1033.

EG verklaring van overeenstemming

INHOUD VAN DE EG-VERKLARING VAN OVEREENSTEMMING

Wij, Husqvarna, SE-561 82 Huskvarna, ZWEDEN,
verklaren onder onze alleenverantwoordelijkheid dat het
gerepresenteerde product:

Beschrijving	Sneeuwblazer
Merk	Husqvarna
Platform / Type / Model	ST 224, ST 227P, ST 230P
Partij	Serienummer vanaf 2018 en verder

volledig voldoet aan de volgende EU-richtlijnen en -
regelgeving:

Richtlijn/Verordening	Beschrijving
2006/42/EG	"betreffende machines"
2014/30/EU	"betreffende elektromagnetische compatibiliteit"
2000/14/EG; 2005/88/EG	"betreffende geluid buitenshuis"

Toegepaste geharmoniseerde normen en/of technische
specificaties zijn als volgt:

In overeenstemming met richtlijn 200/14/EG, bijlage V,
staan de verklaarde geluidswaarden vermeld in de
sectie met technische gegevens van deze handleiding
en in de ondertekende EG-verklaring van
overeenstemming.

De geleverde sneeuwblazer is conform het geteste
exemplaar.



www.husqvarna.com

Original instructions
Originalanweisungen
Instructions d'origine

Instrucciones originales
Istruzioni originali
Originele instructies

1159957-20



2020-01-09