



Husqvarna®



KLIPPO LB 448S, KLIPPO LB 453S, KLIPPO LB 548S e

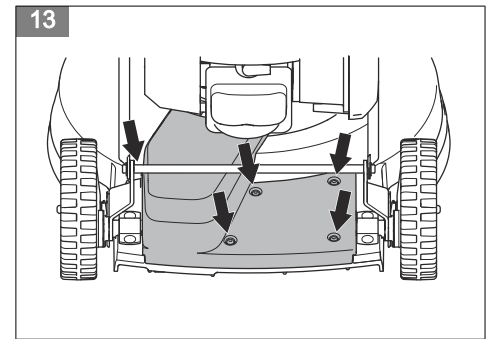
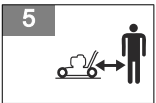
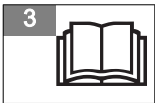
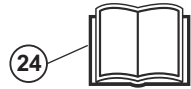
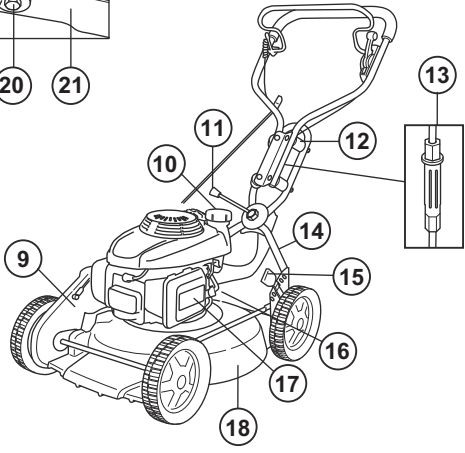
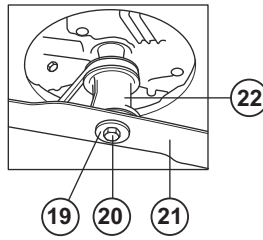
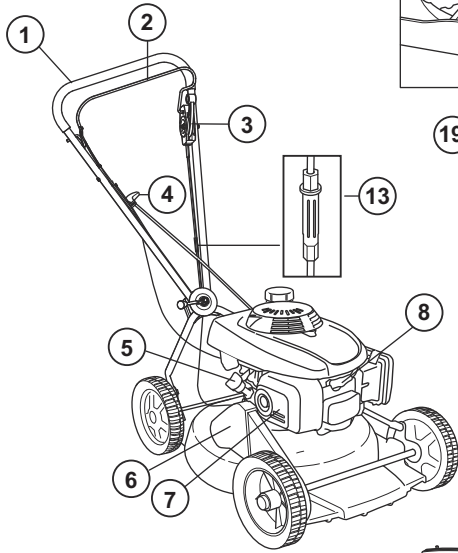


EN	Operator's manual	7-18
BG	Ръководство за експлоатация	19-31
CS	Návod k použití	32-43
DA	Bruksanvisning	44-55
DE	Bedienungsanweisung	56-68
EL	Οδηγίες χρήσης	69-81
ES	Manual de usuario	82-94
ET	Kasutusjuhend	95-106
FI	Käyttöohje	107-118
FR	Manuel d'utilisation	119-131
HR	Priručnik za korištenje	132-143
HU	Használati utasítás	144-155
IT	Manuale dell'operatore	156-168
JA	取扱説明書	169-180
LT	Operatoriaus vadovas	181-192
LV	Lietošanas pamācība	193-204
NL	Gebbruiksaanwijzing	205-216
NO	Bruksanvisning	217-228
PL	Instrukcja obsługi	229-241
PT	Manual do utilizador	242-254
RO	Instrucțiuni de utilizare	255-267
RU	Руководство по эксплуатации	268-281
SK	Návod na obsluhu	282-293
SL	Navodila za uporabo	294-305
SR	Priručnik za rukovaoca	306-317
SV	Bruksanvisning	318-329
TR	Kullanım kılavuzu	330-341
UK	Посібник користувача	342-354
ZH	操作手册	355-364

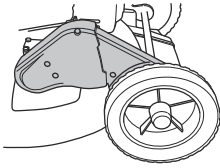
1

KLIPPO LB 448S
KLIPPO LB 453S

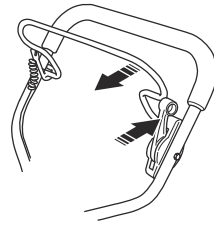
KLIPPO LB 548S e



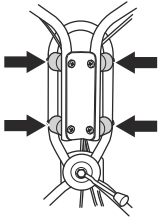
14



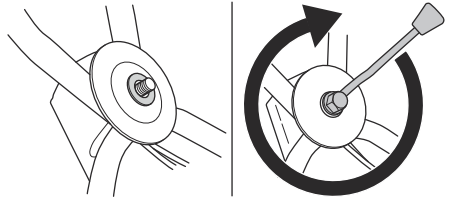
15



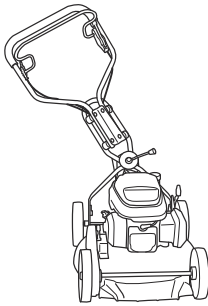
16



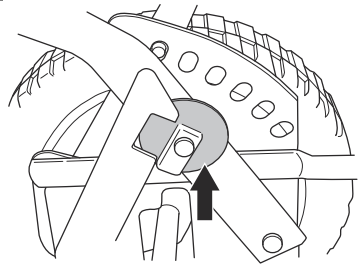
17



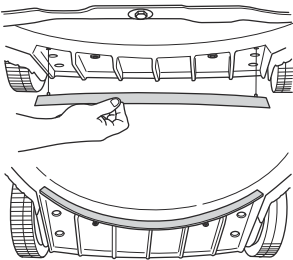
18



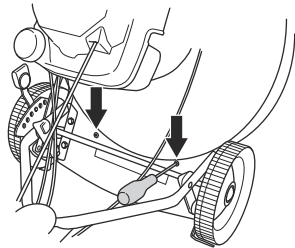
19



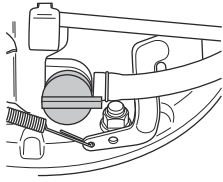
20



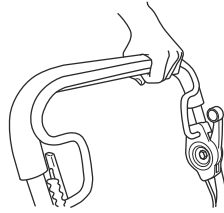
21



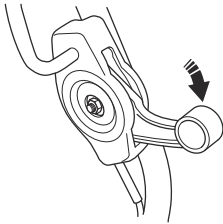
22



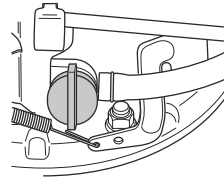
23



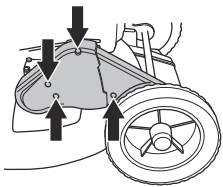
24



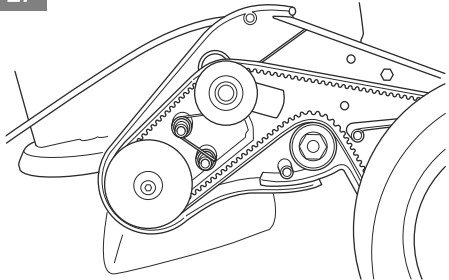
25



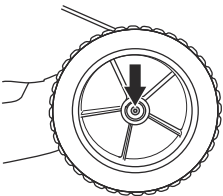
26



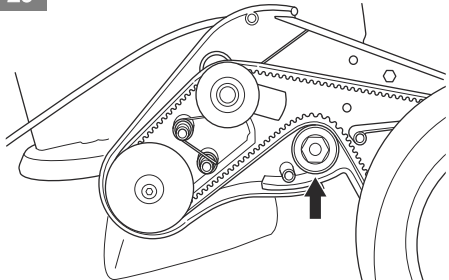
27

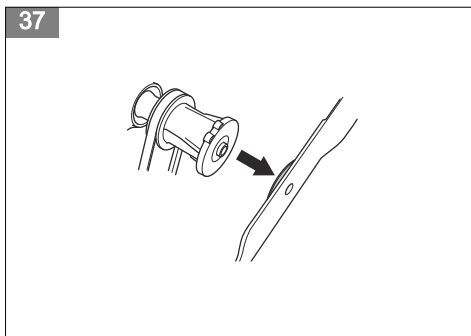
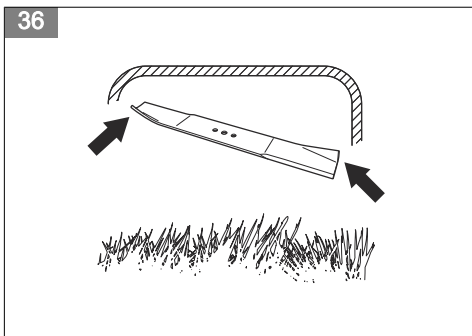
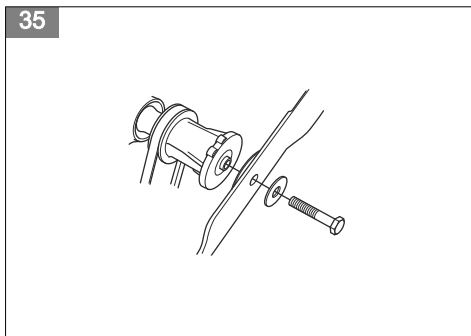
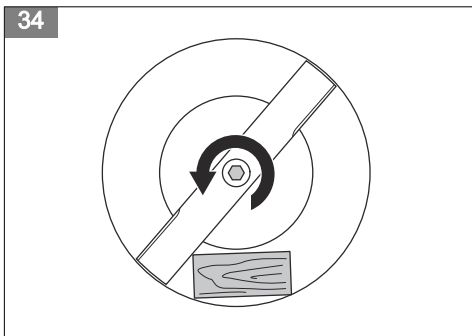
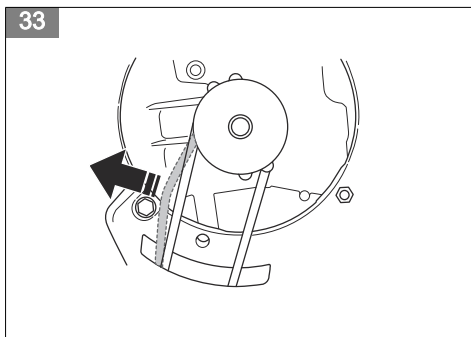
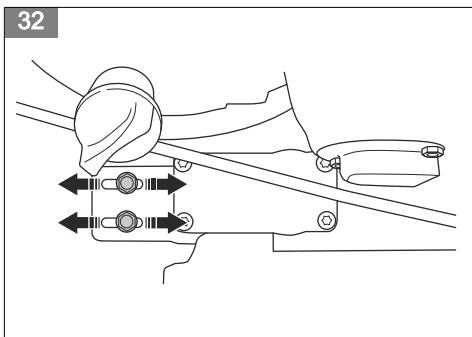
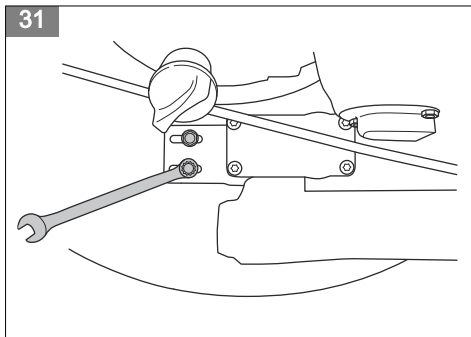
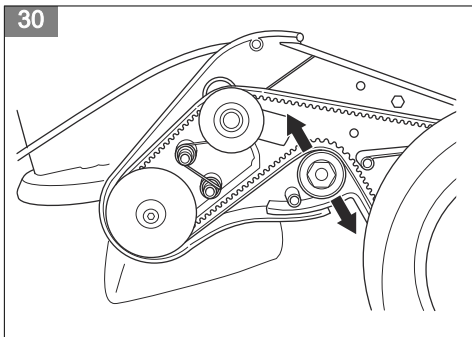


28

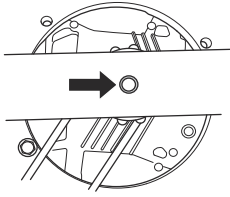


29

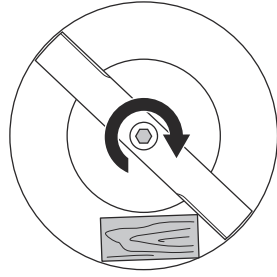




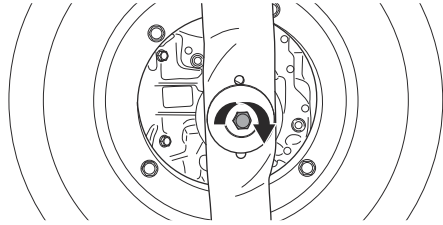
38



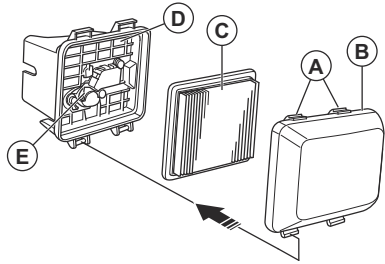
39



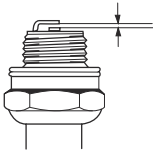
40



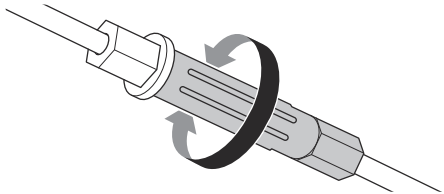
41



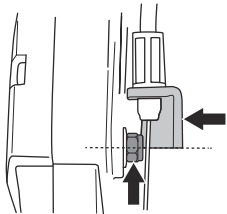
42



43



44



Contents

Introduction.....	7	Maintenance.....	12
Safety.....	8	Transportation, storage and disposal.....	15
Assembly.....	11	Technical data.....	16
Operation.....	11	EC Declaration of Conformity.....	18

Introduction

Product description

The product is a pedestrian-controlled rotary lawn mower that uses BioClip® to cut the grass into fertilizer.

Intended use

Use the product to cut grass. Do not use the product for other tasks.

Product overview

(Fig. 1)

1. Handle / handlebar
2. Engine brake handle
3. Drive lever
4. Starter rope handle
5. Oil cap
6. Belt guard
7. Muffler
8. Spark plug
9. Belt guard
10. Fuel tank
11. Lever for angle adjustment of the handle
12. Vibration damping system
13. Clutch wire adjustment
14. Lower handle
15. Cutting height lever
16. Fuel valve
17. Air filter
18. Cutting cover
19. Spring washer
20. Blade bolt
21. Blade
22. Blade support
23. Mulch plug (KLIPPO LB 448S, KLIPPO LB 548S e)
24. Operator's manual

(Fig. 5)

Keep persons and animals at a safe distance from the work area.

(Fig. 6)

Stop the engine and remove the ignition cable before repairs or maintenance.

(Fig. 7)

Warning: Keep hands and feet away from rotating parts.

(Fig. 8)

Warning: Keep hands and feet away from the rotating blade.

(Fig. 9)

This product is in accordance with applicable EC directives.

(Fig. 10)

Noise emission to the environment according to European Directive 2000/14/EC and New South Wales legislation "Protection of the Environment Operations (Noise Control) Regulation 2017". Noise emission data can be found on the machine label and in the Technical data chapter.

(Fig. 11)

Scannable code.

Symbols on the product

(Fig. 2) **WARNING:** Careless or incorrect use can result in injury or death to the operator or others.

(Fig. 3) Please read the operator's manual carefully and make sure that you understand the instructions before use.

(Fig. 4) Look out for thrown objects and ricochets.

Note: Other symbols/decals on the product refer to certification requirements for some commercial areas.

Decal on the product, for Australia and New Zealand only

(Fig. 12)

Keep hands and feet away from the rotating blade.

Euro V Emissions



WARNING: Tampering with the engine voids the EU type-approval of this product.

Product liability

As referred to in the product liability laws, we are not liable for damages that our product causes if:

- the product is incorrectly repaired.
- the product is repaired with parts that are not from the manufacturer or not approved by the manufacturer.
- the product has an accessory that is not from the manufacturer or not approved by the manufacturer.
- the product is not repaired at an approved service center or by an approved authority.

Safety

Safety definitions

Warnings, cautions and notes are used to point out specially important parts of the manual.



WARNING: Used if there is a risk of injury or death for the operator or bystanders if the instructions in the manual are not obeyed.



CAUTION: Used if there is a risk of damage to the product, other materials or the adjacent area if the instructions in the manual are not obeyed.

Note: Used to give more information that is necessary in a given situation.

General safety instructions



WARNING: Read the warning instructions that follow before you use the product.

- This product is dangerous if used incorrectly or if you are not careful. Injury or death can occur if you do not obey the safety instructions.
- This product produces an electromagnetic field during operation. This field may under some circumstances interfere with active or passive medical implants. To reduce the risk of serious or fatal injury we recommend persons with medical implants to consult their physician and the medical implant manufacturer before operating this product.
- Always be careful and use your common sense. If you are not sure how to operate the product in a special situation, stop and speak to your Husqvarna dealer before you continue.
- Keep in mind that the operator will be held responsible for accidents that involve other persons or their property.
- Keep the product clean. Make sure that you can clearly read signs and decals.

- Do not let a person use the product unless you make sure that they read and understand the contents of the operator's manual.
- Do not let a child operate the product.
- Keep children away from the work area. A responsible adult must be there at all times.
- Do not let a person, without knowledge of the instructions, operate the product.
- Always monitor a person, with decreased physical capacity or mental capacity, that uses the product. A responsible adult must be there at all times.
- Do not use the product if you are tired, ill, or under the influence of alcohol, drugs or medicine. This has a negative effect on your vision, alertness, coordination and judgment.
- Do not use the product if it is defective.
- Do not change this product or use it if it is possible that it has been changed by others.
- Do not change the adjustment for the engine speed control.

Work area safety



WARNING: Read the warning instructions that follow before you use the product.

- Remove objects such as branches, twigs and stones from the work area before you use the product.
- Objects that hit against the cutting equipment can eject and cause damage to persons and objects. Keep bystanders and animals at a safe distance from the product.
- Never use the product in bad weather such as fog, rain, strong winds, intense cold and risk of lightning. To use the product in bad weather or in moist or wet locations is tiring. Bad weather can cause dangerous conditions, such as slippery surfaces.
- Look out for persons, objects and situations that can prevent safe operation of the product.
- Look out for obstacles, such as roots, stones, twigs, pits and ditches. Long grass can hide obstacles.
- To cut grass on slopes can be dangerous. Do not use the product on ground that slopes more than 15°.

- Operate the product across the face of slopes. Do not move up and down.
- Be careful when you go near hidden corners and objects that prevent a clear view.

Work safety



WARNING: Read the warning instructions that follow before you use the product.

- Use this product to cut grass lawns only. It is not permitted to use it for other tasks.
- Use personal protective equipment. Refer to *Personal protective equipment on page 9*.
- Make sure that you know how to stop the engine quickly in an emergency.
- Never start the engine in a closed space or near flammable material. The exhaust fumes from the engine are hot and can contain sparks which can start a fire.
- Do not operate the product unless the blade and all covers are attached correctly. An incorrectly attached blade can come loose and cause personal injury.
- Make sure that the blade does not hit objects such as stones and roots. This can do damage to the blade and bend the engine shaft. A bent axle causes heavy vibration and a very high risk that the blade becomes loose.
- If the blade hits an object or if vibrations occur, stop the product immediately. Disconnect the ignition cable from the spark plug. Examine the product for damages. Repair damages or let an authorised service agent do the repair.
- Never attach the engine brake handle permanently to the handle when the engine is started.
- Put the product on a stable, flat surface and start it. Make sure that the blade does not hit the ground or other objects.
- Always stay behind the product when you operate it.
- Let all the wheels stay on the ground and keep 2 hands on the handle when you operate the product. Keep your hands and feet away from the rotating blades.
- Do not tilt the product when the engine is started.
- Be careful when you pull the product rearward.
- Never lift up the product when the engine is started. If you must lift the product, first stop the engine and disconnect the ignition cable from the spark plug.
- Do not walk rearward when you operate the product.
- Stop the engine when you move across areas without grass, for example paths made of gravel, stone and asphalt.
- Do not run with the product when the engine is started. Always walk when you operate the product.

- Stop the engine before you change the cutting height. Never make adjustments with the engine started.
- Never let the product stay out of view with the engine started. Stop the engine and make sure that the cutting equipment does not rotate.

Safety instructions for operation

Personal protective equipment



WARNING: Read the warning instructions that follow before you use the product.

- Personal protective equipment cannot fully prevent injury but it decreases the degree of injury if an accident does occur. Let your dealer help you select the right equipment.
- Use hearing protection if the noise level is higher than 85 dB.
- Use heavy-duty slip-resistant boots or shoes. Do not use open shoes or go with bare feet.
- Use heavy, long pants.
- Use protective gloves when necessary, for example when you attach, examine or clean the cutting equipment.

Safety devices on the product



WARNING: Read the warning instructions that follow before you use the product.

- Do not use a product with defective safety devices.
- Do a check of the safety devices regularly. If the safety devices are defective, speak to your Husqvarna service agent.

To do a check of the cutting cover

The cutting cover decreases vibrations in the product and decreases the risk of injury from the blade.

- Examine the cutting cover to make sure that there are no damages such as cracks.

To do a check of the belt guard

The belt guard decreases the risk of injury and makes sure that a broken drive belt does not eject.

- Make sure that the belt guard does not have damages and that it is correctly attached. (Fig. 13)

To do a check of the belt guard

The belt guard decreases the risk of injury and makes sure that a broken drive belt does not eject.

- Make sure that the belt guard does not have damages and that it is correctly attached. (Fig. 14)

Engine brake handle

The engine brake handle stops the engine. When the engine brake handle is released, the engine stops.

To do an inspection of the engine brake, start the engine and then release the engine brake handle. If the engine does not stop in 3 seconds, let an approved Husqvarna service agent adjust the engine brake.

(Fig. 15)

To do a check of the vibration damping system



WARNING: Overexposure to vibration can cause circulatory damage or nerve damage to persons with decreased blood circulation. Get medical aid if you have symptoms of overexposure to vibration. These symptoms include numbness, loss of feeling, tingling, pricking, pain, loss of strength, changes in skin color or condition. These symptoms usually show in the fingers, hands or wrists.

The vibration damping system decreases vibration in the handle during operation.

The steel tube in the handlebar and the cutting cover decrease vibration. KLIPPO LB 548S e also has 4 vibration damping units attached to the handlebar.

- Examine the handlebar and the vibration damping units to make sure that there are no damages. (Fig. 16)

Blade support

The blade support decreases the risk that the engine shaft bends. If the blade hits an object, the blade moves against the blade support. The movement causes wear on the surface of the blade support. The wear shows that the protection of the engine shaft functions correctly.

Muffler

The muffler keeps the noise levels to a minimum and sends the exhaust fumes away from the operator.

Do not use the product if the muffler is missing or defective. A defective muffler increases the noise level and the risk of fire.



WARNING: The muffler becomes very hot during and after use and when the engine operates at idle speed. Be careful near flammable materials and/or fumes to prevent fire.

To do a check of the muffler

- Examine the muffler regularly to make sure that it is attached correctly and not damaged.

Fuel safety



WARNING: Read the warning instructions that follow before you use the product.

- Do not start the product if there is fuel or engine oil on the product. Remove the unwanted fuel/oil and let the product dry.
- If you spill fuel on your clothing, change clothing immediately.
- Do not get fuel on your body, it can cause injury. If you get fuel on your body, use soap and water to remove the fuel.
- Do not start the product if the engine has a leak. Examine the engine for leaks regularly.
- Be careful with fuel. Fuel is flammable and the fumes are explosive and can cause injuries or death.
- Do not breathe in the fuel fumes, it can cause injury. Make sure that there is a sufficient airflow.
- Do not smoke near the fuel or the engine.
- Do not put warm objects near the fuel or the engine.
- Do not add the fuel when the engine is on.
- Make sure that the engine is cool before you refuel.
- Before you refuel, open the fuel tank cap slowly and release the pressure carefully.
- Do not add fuel to the engine in an indoor area. Not sufficient airflow can cause injury or death because of asphyxiation or carbon monoxide.
- Tighten the fuel tank cap fully. If the fuel tank cap is not tightened, there is a risk of fire.
- Move the product a minimum of 3 m / 10 ft from the position where you filled the tank before a start.
- Do not fill the fuel tank fully. Heat causes the fuel to expand. Keep a space at the top of the fuel tank.

Safety instructions for maintenance



WARNING: Read the warning instructions that follow before you use the product.

- The exhaust fumes from the engine contain carbon monoxide, an odourless, poisonous and very dangerous gas. Do not start the engine indoors or in closed spaces.
- Before you do the maintenance on the product, stop the engine and remove the ignition cable from the spark plug.
- Use protective gloves when you do maintenance on the cutting equipment. The blade is very sharp and cuts can easily occur.
- Accessories and changes to the product that are not approved by the manufacturer, can cause serious injury or death. Do not change the product. Always use accessories that are approved by the manufacturer.

- If the maintenance is not done correctly and regularly, the risk of injury and damage to the product increases.
- Only do the maintenance as given in this owner's manual. All other servicing must be done by an approved Husqvarna service agent.

- Let an approved Husqvarna service agent do servicing on the product regularly.
- Replace damaged, worn or broken parts.

Assembly

Introduction



WARNING: Before you assemble the product, you must read and understand the safety chapter.



WARNING: Remove the spark plug cable from the spark plug before you assemble the product.

To assemble and adjust the handle

1. Remove the handle nut and the washer from the plate on the upper handle.
2. Put the upper handle in position on top of the lower handle.



CAUTION: Make sure that the wires are not caught or become damaged.

3. Attach the washer and the handle nut. (Fig. 17)
4. Turn the handle to the side for a good operation position when you operate the product near a wall. (Fig. 18)
5. Turn the adjustment wheels on the chassis to adjust the handle vertically. (Fig. 19)

To assemble the mulch plug KLIPPO LB 448S, KLIPPO LB 548S e

1. Tilt the product rearward with the spark plug up.
2. Put the pins of the mulch plug into the holes from the inner side of the cutting cover. (Fig. 20)
3. Attach the screws for the mulch plug from the outer side of the cutting cover. (Fig. 21)

Operation

Introduction



WARNING: Before you operate the product, you must read and understand the safety chapter.

Husqvarna Connect

Husqvarna Connect is a free app for your mobile device. The Husqvarna Connect app gives extended functions for your Husqvarna product:

- Extended product information.
- Information about, and help with, product parts and servicing.

To start to use Husqvarna Connect

1. Download the Husqvarna Connect app on your mobile device.
2. Register in the Husqvarna Connect app.
3. Do the instruction steps in the Husqvarna Connect app to connect and register the product.

Before you operate the product

1. Read the operator's manual carefully and make sure that you understand the instructions.
2. Examine the cutting equipment to make sure that it is correctly attached and adjusted. See *To examine the cutting equipment on page 14*.
3. Fill the fuel tank. See *To fill fuel on page 11*.
4. Fill the oil tank and do a check of the oil level. See *To do a check of the oil level on page 14*.

To fill fuel

If available, use low-emission/alkylate gasoline. If low-emission/alkylate gasoline is not available, use good quality unleaded gasoline or leaded gasoline with octane number not less than 90.



CAUTION: Do not use gasoline with an octane number less than 90 RON (87 AKI). This can cause damage to the product.

1. Open the fuel tank cap slowly to release the pressure.

2. Fill slowly with a fuel can. If you spill fuel, remove it with a cloth and let remaining fuel dry off.
3. Clean the area around the fuel tank cap.
4. Tighten the fuel tank cap fully. If the fuel tank cap is not tightened, there is a risk of fire.
5. Move the product a minimum of 3 m (10 ft) from the position where you filled the tank before a start.

To set the cutting height

The cutting height can be adjusted in 6 levels.

1. Move the cutting height lever forward to increase the cutting height.
2. Move the cutting height lever rearward to decrease the cutting height.



CAUTION: Do not set the cutting height too low. The blades can hit the ground if the surface of the lawn is not level.

To start the product

1. Make sure that the ignition cable is connected to the spark plug.
2. Open the fuel valve. (Fig. 22)
3. Stay behind the product.
4. Hold the engine brake handle against the handlebar. (Fig. 23)
5. Hold the starter rope handle with your right hand.
6. Slowly pull out the starter rope until you feel some resistance.
7. Pull with force to start the engine.



WARNING: Do not twist the starter rope around your hand.



CAUTION: Do not extend the starter rope fully. Do not release the starter rope handle when the starter rope is extended.

To use the drive on the wheels

- Push the drive lever down. (Fig. 24)
- Before you pull the product rearward, disengage the drive and push the product forward approximately 10cm.
- Release the engine brake handle a small distance to disengage the drive, for example when you go near an obstacle.

To stop the product

- To stop the drive only, release the engine brake handle a small distance.
- To stop the engine, release the engine brake handle fully.
- Close the fuel valve. (Fig. 25)

To get a good result

- Always use a sharp blade. A blunt blade gives an irregular result and the cut surface of the grass becomes yellow. A sharp blade also uses less energy than a blunt blade.
- Do not cut more than $\frac{1}{3}$ of the length of the grass. Cut first with the cutting height set high. Examine the result and lower the cutting height to an applicable level. If the grass is very long, drive slowly and cut 2 times if necessary.
- Cut in different directions each time to prevent stripes in the lawn.

Maintenance

Introduction



WARNING: Before you do maintenance, you must read and understand the safety chapter.

For all servicing and repair work on the product, special training is necessary. We guarantee the availability of professional repairs and servicing. If your dealer is not a

service agent, speak to them for information about the nearest service agent.

Maintenance schedule

The maintenance intervals are calculated from daily use of the product. The intervals change if the product is not used daily.

For maintenance identified with * see instructions in *Safety devices on the product on page 9.*

Maintenance	Daily	Weekly	Monthly
Do a general inspection	X		
Examine the oil level	X		
Clean the product	X		

Maintenance	Daily	Weekly	Monthly
Clean the air filter	X		
Examine the cutting equipment	X		
Examine the cutting cover*	X		
Examine the engine brake handle*	X		
Examine the muffler*		X	
Examine the spark plug		X	
Examine the drive belt for damages			X
Clean the gear housing			X
Replace the oil (the first time after 5 h use, then after each 25 h use and yearly)			X
Replace the air filter			X
Examine the fuel system			X
Examine and adjust the drive (clutch wire)			X

To do a general inspection

- Make sure that all nuts and screws on the product are tightened correctly.

To clean the product externally

- Use a brush to remove leaves, grass and dirt.
- Make sure that the air intake on the top of the engine is not blocked.
- Do not use a high pressure washer to clean the product.
- If you use water to clean the product, do not flush water directly on the engine.

To clean the inner surface of the cutting cover

1. Put the product on its side with the muffler down.



CAUTION: If the product is put with the air filter down, the engine can become damaged.

2. Hose down the inner surface of the cutting cover with water.

To examine the drive belt and clean the gear housing

1. Remove the 4 screws on the belt guard and remove the belt guard. (Fig. 26)
2. Examine the drive belt and belt pulley for damages.
3. Use a brush to remove leaves, grass and dirt from the gear housing. (Fig. 27)

To replace and adjust the drive belt

1. Remove the 4 screws on the belt guard and remove the belt guard. (Fig. 26)
2. Put a flat screwdriver between the hubcap and the wheel on the right front wheel of the product.
3. Twist the screwdriver carefully to remove the hubcap.
4. Remove the wheel bolt and remove the wheel. (Fig. 28)
5. Remove the drive belt from the belt pulleys.
6. Make sure that the belt pulleys move easily on the axle.
7. If it is necessary, spray penetrating oil between and behind the belt pulleys and lubricate the axle.
8. Install a new drive belt and attach it correctly at the ball bearing before you adjust the drive belt. (Fig. 29)
9. Move the ball bearing up or down to adjust the drive belt. (Fig. 30)

Note: A new drive belt becomes longer after use. Adjust the drive belt again after some hours of operation.

10. Attach the belt guard.
11. Operate the product to make sure that the drive belt is correctly installed and adjusted.

To replace and adjust the center belt

1. Remove the blade.

Note: This step is not necessary when you only adjust the center belt.

- Loosen the adjustment screws some turns, but do not remove them. (Fig. 31)
- Replace the center belt and moderately tighten the adjustment screws.

Note: This step is not necessary when you only adjust the center belt.

- Move the gear forward or rearward to adjust the center belt. (Fig. 32)
- Use a hook scale to examine the tension of the center belt. The belt has the correct tension when it can move 6–10 mm in the center. That is equal to a pull of 3 kg. (Fig. 33)
- Tighten the adjustment screws fully with a torque of 3 Nm.
- Operate the product to make sure that the drive belt is correctly installed and adjusted.

To examine the cutting equipment



WARNING: To prevent accidental start remove the ignition cable from the spark plug.



WARNING: Use protective gloves when you do maintenance on the cutting equipment. The blade is very sharp and cuts can easily occur.

- Examine the cutting equipment for damage or cracks. Always replace a damaged cutting equipment.
- Look at the blade to see if it is damaged or blunt.

Note: It is necessary to balance the blade after it is sharpened. Let a service center sharpen, replace and balance the blade. If you hit an obstacle that causes the product to stop, replace the damaged blade. Let the service center estimate if the blade can be sharpened or must be replaced.

To replace the blade

- Lock the blade with a block of wood. (Fig. 34)
- Remove the blade bolt, the spring washer and the blade. (Fig. 35)
- Examine the blade support and blade bolt for damages.
 - If you replace the blade or the blade support, also replace the blade bolt, the spring washer and the friction washer.
- Examine the engine shaft to make sure that it is not bent.
- When you attach the new blade, make sure that the bent ends point in the direction of the cutting cover. (Fig. 36)

- Put the friction washer and the blade against the blade support. (Fig. 37)
- Make sure that the blade aligns with the center of the engine shaft. (Fig. 38)
- Lock the blade with a block of wood. (Fig. 39)
- Attach the spring washer and tighten the bolt with a torque of 80 Nm. (Fig. 40)
- Pull the blade around by hand and make sure that it turns freely.



WARNING: Use protective gloves. The blade is very sharp and cuts can easily occur.

- Start the product to do a test of the blade. If the blade is not correctly attached, there is vibration in the product or the cutting result is unsatisfactory.

To do a check of the oil level



CAUTION: A too low oil level can do damage to the engine. Do a check of the oil level before you start the product.

- Put the product on level ground.
- Close the fuel valve.
- Remove the oil tank cap with the attached dipstick.
- Clean the oil from the dipstick.
- Put the dipstick into the oil tank but do not tighten the oil tank cap.
- Remove the dipstick.
- Examine the oil level on the dipstick.
- If the oil level is low, fill with engine oil and do a check of the oil level again. The oil level is correct when it is at the top mark on the dipstick.

To replace the engine oil



WARNING: Engine oil is very hot directly after the engine is stopped. Let the engine become cool before you drain the engine oil. If you spill engine oil on your skin, clean with soap and water.

- Operate the product until the fuel tank is empty.
- Remove the ignition cable from the spark plug.
- Remove the oil tank cap.
- Put a container below the product to collect the engine oil in.
- Tilt the product to drain the engine oil from the oil tank.
- Fill with new engine oil of the type recommended in *Technical data on page 16*.
- Do a check of the oil level. Refer to *To do a check of the oil level on page 14*.

To clean the air filter



CAUTION: Do not operate the engine without an air filter attached or if the air filter is dirty.



CAUTION: Replace the air filter if it cannot be fully cleaned or if it is damaged. A defective air filter causes damage to the engine.

1. Push the latch tabs (A), remove the air filter cover (B) and remove the air filter (C). (Fig. 41)
2. Hit the air filter against a hard surface or blow compressed air through the air filter from the clean side of the air filter.



CAUTION: Do not use a brush to remove dirt as this pushes the dirt into the air filter.

3. Clean the air filter holder (D) and the air filter cover with a moist cloth.



CAUTION: Make sure that no dirt goes into the air duct (E).

4. Install the air filter. Make sure that the air filter fully seals against the air filter holder.
5. Install the air filter cover with the bottom tabs first.

To examine the spark plug



CAUTION: Always use the recommended spark plug type. Incorrect

spark plug type can cause damage to the product.

- Examine the spark plug if the engine is low on power, is not easy to start or does not operate correctly at idle speed.
- To decrease the risk of unwanted material on the spark plug electrodes, obey these instructions:
 - a) Make sure that the idle speed is correctly adjusted.
 - b) Make sure that the fuel mixture is correct.
 - c) Make sure that the air filter is clean.
- If the spark plug is dirty, clean it and make sure that the electrode gap is correct, refer to *Technical data on page 16*. (Fig. 42)
- Replace the spark plug if it is necessary.

To examine the fuel system

- Examine the fuel tank cap and the seal for the fuel tank cap to make sure that there are no damages.
- Examine the fuel hose to make sure that there are no leaks. If the fuel hose is damaged, let a service agent replace it.

To adjust the clutch wire

If the drive feels slow, it is necessary to adjust the clutch wire.

- Turn the adjuster screw. (Fig. 43)

The clutch wire is correctly adjusted when the clutch wire bracket aligns with the nut.

(Fig. 44)

Transportation, storage and disposal

Transportation and storage

- For storage and transportation of the product and fuel, make sure that there are no leaks or fumes. Sparks or open flames, for example from electrical devices or boilers, can start a fire.
- Always use approved containers for storage and transportation of fuel.
- Empty the fuel tank before you put the product in storage for a long period of time. Discard the fuel at an applicable disposal location
- Safely attach the product during transportation to prevent damage and accidents.

- Keep the product in a locked area to prevent access for children or persons that are not approved.
- Keep the product in a dry and frost free area.

Disposal

- Obey the local recycling requirements and applicable regulations.
- Discard all chemicals, such as engine oil or fuel, at a service center or at an applicable disposal location.
- When the product is no longer in use, send it to a Husqvarna dealer or discard it at a recycling location.

Technical data

Technical data

	KLIPPO LB 448S	KLIPPO LB 453S	KLIPPO LB 548S e
Engine			
Brand	Honda	Honda	Honda
Displacement, cm ³	145	166	166
Speed, rpm	2900	2900	2900
Nominal engine output, kW ¹	2.7	3.3	3.3
Ignition system			
Spark plug	NGK BPR5ES	NGK BPR5ES	NGK BPR5ES
Electrode gap, mm	0.7–0.8	0.7–0.8	0.7–0.8
Fuel and lubrication system			
Fuel tank capacity, litre	0.9	0.9	0.9
Oil tank capacity, litre	0.55	0.5	0.55
Engine oil ²	SAE 10W-30	SAE 10W-30	SAE 10W-30
Weight			
With empty tanks, kg	30.5	33	32.5
Noise emissions ³			
Sound power level, measured dB (A)	90	91	90
Sound power level, guaranteed L _{WA} dB (A)	91	94	91
Sound levels ⁴			
Sound pressure level at the operator's ear, dB (A)	77	78	78
Vibration levels, a_{hveq} ⁵			
Handle, m/s ²	4.5	5.3	4.8
Cutting equipment			

¹ The power rating of the engine indicated is the average net output (at specified rpm) of a typical production engine for the engine model measured to SAE standard J1349/ISO1585. Mass production engines may differ from this value. Actual power output for the engine installed on the final product will depend on the operating speed, environmental conditions and other values.

² Use engine oil of quality SG–SH. See the viscosity chart in the engine manufacturer's manual and select the best viscosity based on the expected outside temperature.

³ Noise emissions in the environment measured as sound power (L_{WA}) in conformity with EC directive 2000/14/EC.

⁴ Noise pressure level according to ISO 5395. Reported data for noise pressure level has a typical statistical dispersion (standard deviation) of 1.2 dB (A).

⁵ Vibration level according to ISO 5395. Reported data for vibration level has a typical statistical dispersion (standard deviation) of 0.2 m/s².

	KLIPPO LB 448S	KLIPPO LB 453S	KLIPPO LB 548S e
Cutting height, mm	30–60	30–60	30–60
Cutting width, mm	480	530	480
Blade	Mulch - 48 cm 5028813-10	Mulch - 53 cm 5028814-10	Mulch - 48 cm 5028813-10
Drive			
Speed, km/h	4.5	4.5	4.5

EC Declaration of Conformity

EC Declaration of Conformity

Husqvarna AB, SE-561 82 Huskvarna, Sweden, tel: +46-36-146500, declares that the **lawn mowers Husqvarna KLIPPO LB 448S, KLIPPO LB 453S, KLIPPO LB 548S e** from the serial numbers 2020xxxxxxx and onwards comply with the requirements of the COUNCIL'S DIRECTIVE:

- of May 17, 2006 "relating to machinery" **2006/42/EC**
- of February 26, 2014 "relating to electromagnetic compatibility" **2014/30/EU**
- of May 8, 2000 "relating to the noise emissions in the environment" **2000/14/EC**
- of June 8, 2011 on the "restriction of use of certain hazardous substances in electric and electronic equipment" **2011/65/EU**

Information relating to noise emissions, see Technical data.

The following standards have been applied:

EN ISO 5395-1, EN ISO 5395-2, EN ISO 5395-2 Amd1, EN ISO 5395-2 Amd 2, EN 55012, EN 50581:2012

If not otherwise stated, the above listed standards are the latest published versions.

Notified body: **0404, RISE SMP Svensk Maskinprovning AB, Box 7035, SE-750 07 Uppsala** has issued reports regarding the assessment of conformity according to annex VI of the COUNCIL'S DIRECTIVE of May 8, 2000 "relating to the noise emissions in the environment" 2000/14/EC.

Huskvarna, 2020-09-16



Claes Losdal, Development Manager/Garden Products
(Authorized representative for Husqvarna AB and responsible for technical documentation)

Съдържание

Въведение.....	19	Поддръжка.....	25
Безопасност.....	20	Транспортиране, съхранение и изхвърляне.....	29
Монтаж.....	23	Технически данни.....	29
Операция.....	24	Декларация за съответствие на ЕО.....	31

Въведение

Описание на продукта

Продуктът е несамостоятелна ротационна косачка, която използва BioClip® за нарязване на тревата и превръщането ѝ в тор.

Предназначение

Използвайте продукта за косене на трева. Не използвайте продукта за други задачи.

Общ преглед на продукта

(Фиг. 1)

1. Ръчка/управление
2. Ръчка за спирачката на двигателя
3. Задвижващ лост
4. Дръжка на въжето на стартера
5. Капачка за маслото
6. Предпазител на ремъка
7. Ауспук
8. Запалителна свещ
9. Предпазител на ремъка
10. Резервоар за гориво
11. Лост за регулиране на ъгъла на ръчката
12. Антивибрационна система
13. Регулиране на кабела на съединителя
14. Ниска ръкохватка
15. Лост за височината на рязане
16. Горивен клапан
17. Въздушен филтър
18. Капак срещу порязване
19. Пружинна шайба
20. Придържач болт на ножовете
21. Резец
22. Носач на нож
23. Приставка за мулчиране (KLIPPO LB 448S, KLIPPO LB 548S e)
24. Инструкция за експлоатация

разбирате инструкциите, преди да използвате машината.

(Фиг. 4) Пазете се от отскачащи предмети и рикошети.

(Фиг. 5) Дръжте хората и животните на безопасно разстояние от работната зона.

(Фиг. 6) Спрете двигателя и отстранете запалителния кабел преди ремонти или техническо обслужване.

(Фиг. 7) Предупреждение: Дръжте ръцете и краката си далеч от въртящи се части.

(Фиг. 8) Предупреждение: Дръжте ръцете и краката си далеч от въртящия се нож.

(Фиг. 9) Тази машина отговаря на изискванията на приложимите директиви на ЕО.

(Фиг. 10) Шумови емисии към околната среда съгласно Европейска директива 2000/14/ЕО и законодателството на Нов Южен Уелс "Регламент 2017 относно защитата от дейности, оказващи влияние на околната среда (контрол на шума)". Данните за шумови емисии могат да бъдат намерени на етикета на машината и в главата „Технически характеристики“.

Символи върху машината

(Фиг. 2) **ПРЕДУПРЕЖДЕНИЕ:** Непредпазливото или неправилното използване може да доведе до нараняване или смърт на оператора или други хора.

(Фиг. 11) Код с възможност за сканиране.

(Фиг. 3) Прочетете внимателно ръководството за оператора и се уверете, че

Забележка: Останалите символи/стикери на продукта се отнасят до изисквания по отношение на сертификати за някои търговски зони.

Лепенка на продукта само за Австралия и Нова Зеландия

(Фиг. 12)

Дръжте ръцете и краката си далеч от въртящия се нож.

Емисии Euro V



ПРЕДУПРЕЖДЕНИЕ: Намесата в двигателя прави невалидно ЕС одобрението на тип на този продукт.

Отговорност за продукта

Както е посочено в законите за отговорност за вреди, причинени от стоки, ние не носим отговорност за щети, причинени от нашия продукт, ако:

- продуктът е неправилно ремонтиран.
- продуктът е ремонтиран с части, които не са от производителя или не са одобрени от производителя.
- продуктът има принадлежност, която не е от производителя или не е одобрена от производителя.
- продуктът не е ремонтиран в одобрен сервизен център или от одобрен орган.

Безопасност

Дефиниции за безопасност

Предупреждения, знаци за внимание и бележки се използват за указване на особено важни части на инструкцията.



ПРЕДУПРЕЖДЕНИЕ: Използва се, ако има опасност от нараняване или смърт за оператора или за околните, ако не се спазват инструкциите в ръководството.



ВНИМАНИЕ: Използва се, ако има опасност от повреждане на машината, други материали или съседната зона, ако не се спазват инструкциите в ръководството.

Забележка: Използва се за предоставяне на повече информация, която е необходима в дадена ситуация.

Общи инструкции за безопасност



ПРЕДУПРЕЖДЕНИЕ: Прочетете следващите предупредителни указания, преди да използвате машината.

- Този продукт е опасен, ако се използва неправилно или ако не сте внимателни. Неспазването на инструкциите за безопасност може да доведе до нараняване или смърт.
- Тази машина създава електромагнитно поле по време на работа. При някои условия това поле може да интерферира с активни или пасивни медицински имплантанти. За да намалите риска от тежко или смъртоносно нараняване, ние

препоръчваме лицата с медицински импланти да говорят с лекаря си и производителя на медицинския имплант, преди да започнат да работят с тази машина.

- Винаги бъдете внимателни и подхождайте разумно. Ако не сте сигурни как да работите с продукта при специална ситуация, спрете и се обърнете към Вашия дилър на Husqvarna, преди да продължите.
- Имайте предвид, че операторът носи отговорност за нещастни случаи, включващи други хора или тяхното имущество.
- Поддържайте продукта чист. Уверете се, че разчитате ясно знаците и стикерите.
- Не позволявайте на когото и да е да работи с продукта, докато не се уверите, че е прочел и разбрал съдържанието на инструкцията за експлоатация.
- Не позволявайте на деца да работят с продукта.
- Дръжте децата далеч от работната зона. През цялото време трябва да присъства отговорен възрастен.
- Не позволявайте на лица, които не са запознати с инструкциите, да работят с продукта.
- Винаги наблюдавайте лица с намален физически или умствен капацитет, които използват продукта. През цялото време трябва да присъства отговорен възрастен.
- Не използвайте продукта, ако сте уморени, болни или под въздействието на алкохол, наркотици или лекарства. Това състояние оказва отрицателно въздействие върху Вашето зрение, бдителност, координация и преценка.
- Не използвайте продукта, ако е неизправен.
- Не променяйте този продукт или не го използвайте, ако има вероятност той да е бил променен от друг.

- Не променяйте регулировката за управление на оборотите на двигателя.

Безопасност на работната област



ПРЕДУПРЕЖДЕНИЕ: Прочетете следващите предупредителни указания, преди да използвате машината.

- Отстранете препятствия като клони, пръчки и камъни от работната зона, преди да използвате продукта.
- Обектите, които се удрят в режещото оборудване, могат да бъдат изхвърлени и да причинят нараняване на лицата и щети на предметите. Дръжте страничните наблюдатели и животните на безопасно разстояние от продукта.
- Никога не използвайте продукта в лошо време – например при мъгла, дъжд, силни ветрове, много силен студ и риск от мълнини. Използването на продукта в лошо време или върху влажни или мокри терени е изморително. Лошото време може да създаде опасни условия, като например хлъзгави повърхности.
- Внимавайте за лица, предмети и ситуации, които могат да са причина за намаляване на безопасната работа на продукта.
- Внимавайте за препятствия като корени, камъни, клони, ями и канавки. Дългата трева може да крие препятствия.
- Косенето на трева на склон може да бъде опасно. Не работете с продукта, когато наклонът на повърхността е повече от 15°.
- Използвайте продукта напречно на склона. Не се движете нагоре и надолу.
- Внимавайте, когато преминавате покрай закриватъли и предмети, които скриват зрителното Ви поле.

Безопасност при работа



ПРЕДУПРЕЖДЕНИЕ: Прочетете следващите предупредителни указания, преди да използвате машината.

- Използвайте този продукт само за косене на морави. Не се допуска използването му за други цели.
- Използвайте лични предпазни средства. Вижте *Лични предпазни средства на страница 21*.
- Уверете се, че знаете как бързо да спрете двигателя при аварийна ситуация.
- Никога не стартирайте двигателя в затворено пространство или близо до запалими материали. Отработените газове от двигателя са горещи и могат да съдържат искри, които да предизвикат пожар.
- Не работете с продукта, докато ножът и всички капаци не се монтират правилно. Неправилно

монтираният нож може да се разхлаби и да причини телесна повреда.

- Уверете се, че ножът няма да се удря в обекти, като например камъни и корени. Това може да доведе до повреда на ножа и до огъване на двусекционния вал на двигателя. Огънатата ос предизвиква силни вибрации и има много голяма опасност ножът да се разхлаби.
- Ако ножът се удари в някакъв обект или се получат вибрации, спрете веднага продукта. Изключете запалителния кабел от запалителната свещ. Проверете продукта за повреди. Ремонтирайте повредите или потърсете оторизиран сервиз за това.
- Никога не прикрепяйте ръчката на спирачката на двигателя за постоянно върху дръжката, когато двигателят е стартиран.
- Поставете продукта върху стабилна, равна повърхност и го стартирайте. Уверете се, че ножът не се допира на земята или в други предмети.
- Винаги стойте зад продукта, когато го използвате.
- Всички колела трябва да бъдат на земята и да държите дръжката с 2 ръце, когато работите с продукта. Дръжте ръцете и краката си далеч от въртящите се остриета.
- Не накланяйте продукта при стартиран двигател.
- Бъдете внимателни, когато дърпате продукта назад.
- Никога не повдигайте продукта при стартиран двигател. Ако се налага да вдигнете продукта, първо спрете двигателя и изключете запалителния кабел от запалителната свещ.
- Не се движете назад при работа с продукта.
- Спрете двигателя, когато преминавате през области без трева, например пътеки от чакъл, камък или асфалт.
- Не тичайте с продукта, когато двигателят работи. Винаги ходете, когато работите с продукта.
- Спрете двигателя, преди да промените височината на рязане. Никога не регулирайте при стартиран двигател.
- Никога не оставяйте продукта без надзор, когато двигателят работи. Спрете двигателя и се уверете, че режещото оборудване не се върти.

Инструкции за безопасност за работа

Лични предпазни средства



ПРЕДУПРЕЖДЕНИЕ: Прочетете следващите предупредителни указания, преди да използвате машината.

- Личните предпазни средства не изключват изцяло риска от нараняване, но намаляват степента на нараняването при злополука. Нека

вашият дилър Ви помогне да изберете подходящото оборудване.

- Използвайте антифони, ако нивото на шума е по-високо от 85 dB.
- Носете ботуши или обувки, устойчиви на хлъзгане. Не носете отворени обувки и не ходете боси.
- Използвайте дълги панталони от здрав плат.
- Когато е необходимо, носете защитни ръкавици, например, когато закрепвате, проверявате или почиствате режещото оборудване.

Приспособления за безопасност на машината



ПРЕДУПРЕЖДЕНИЕ: Прочетете следващите предупредителни указания, преди да използвате машината.

- Не използвайте машина с неизправни приспособления за безопасност.
- Проверявайте редовно приспособленията за безопасност. Ако приспособленията за безопасност са дефектни, говорете с Вашия сервиз Husqvarna.

За проверка на капака срещу порязване

Капакът срещу порязване намалява вибрациите в продукта и опасността от нараняване, причинени от острието.

- Проверете капака срещу порязване, за да се уверите, че няма повреди, като например пукнатини.

За да проверите защитата на ремъка

Защитата на ремъка намалява опасността от нараняване и гарантира, че скъсаният задвижващ ремък няма да изскочи.

- Уверете се, че по защитата на ремъка няма повреди и че е правилно закрепена. (Фиг. 13)

За проверка на защитата на ремъка

Защитата на ремъка намалява опасността от нараняване и гарантира, че скъсаният задвижващ ремък няма да изскочи.

- Уверете се, че по защитата на ремъка няма повреди и че е правилно закрепена. (Фиг. 14)

Ръчка за спирачката на двигателя

Ръчката за спирачката на двигателя спира двигателя. Когато ръчката за спирачката на двигателя бъде пусната, двигателят спира.

За да проверите дали спирачката на двигателя работи, стартирайте двигателя и след това отпуснете ръчката на спирачката на двигателя. Ако двигателят не спре след 3 секунди, позволете на

одобрен Husqvarna сервиз да регулира спирачката на двигателя.

(Фиг. 15)

За проверка на антивибрационната система



ПРЕДУПРЕЖДЕНИЕ:

Прекаленото излагане на вибрации може да причини поражения върху кръвоносната система и нервната система на лица със затруднено кръвообращение. Потърсете медицинска помощ, ако се появят симптоми, които могат да са резултат от прекалено излагане на вибрации. Такива симптоми са например изтръпване, загуба на чувствителност, „иглички“, „бодежи“, болки, физическо отпускане, промяна на цвета или състоянието на кожата. Тези симптоми се появяват обикновено на пръстите, ръцете или китките.

Антивибрационната система намалява вибрациите в дръжката по време на работа.

Стоманената тръба в управлението, а също и капакът срещу порязване намаляват вибрациите. KLIPPO LB 548S е има и 4 антивибрационни части, прикрепени към управлението.

- Проверете управлението и частите на антивибрационната система, за да се уверите, че няма повреди. (Фиг. 16)

Носач на нож

Носачът на ножа намалява опасността от огъване на двусекционния вал на двигателя. Ако ножът се удари в предмет, ножът се премества към носача на ножа. Движението причинява износване на повърхността на носача на ножа. Износването показва, че защитата на двусекционния вал на двигателя функционира правилно.

Ауспух

Ауспухът е предназначен за максимално намаляване на нивата на шума и за отвеждане на отработените газове настрана от потребителя.

Не използвайте машината, ако ауспухът липсва или е дефектен. Дефектен ауспух увеличава нивото на шума и риска от злополука.



ПРЕДУПРЕЖДЕНИЕ: Ауспухът се нагрява много по време и след работа и също при обоработи на празен ход. Бъдете внимателни близо до запалими материали и/или газове, за да предотвратите възникването на пожар.

За проверка на ауслуха

- Проверявайте ауслуха редовно, за да сте сигурни, че е закрепен правилно и не е повреден.

Безопасност при работа с гориво



ПРЕДУПРЕЖДЕНИЕ: Прочетете следващите предупредителни указания, преди да използвате машината.

- Не включвайте продукта, ако върху него има гориво или моторно масло. Отстранете нежеланото гориво/масло и оставете продукта да изсъхне.
- Ако разлеете гориво по дрехите си, сменете ги незабавно.
- Внимавайте да не попадне гориво върху тялото Ви, това може да доведе до телесни увреждания. Ако гориво попадне върху тялото Ви, използвайте сапун и вода, за да го отстраните.
- Не стартирайте продукта, ако от двигателя има теч. Проверявайте редовно двигателя за течове.
- Внимавайте с горивото. Горивото е запалимо, изпаренията са взривоопасни и могат да причинят телесни увреждания или смърт.
- Не вдъшвайте горивните изпарения, това може да доведе до телесни увреждания. Уверете се, че има достатъчен въздушен поток.
- Не пушете близо до горивото или двигателя.
- Не поставяйте топли предмети близо до горивото или двигателя.
- Не добавяйте гориво, когато двигателят работи.
- Уверете се, че двигателят е изстинал преди зареждане с гориво.
- Преди зареждане с гориво отворете бавно капачката на резервоара за гориво и освободете внимателно налягането.
- Не добавяйте гориво към двигателя на закрито. Недостатъчният въздушен поток може да доведе до нараняване или смърт поради задушаване или въглероден окис.
- Затегнете капачката на резервоара за гориво докрай. Ако капачката на резервоара за гориво не е затегната, има риск от злополука.

- Преди да включите двигателя, преместете продукта най-малко на 3 m/10 ft от мястото, където сте заредили резервоара.
- Не зареждайте резервоара за гориво догоре. Топлината причинява увеличаване на обема на горивото. Оставете място в горната част на резервоара за гориво.

Инструкции за безопасност при техническо обслужване



ПРЕДУПРЕЖДЕНИЕ: Прочетете следващите предупредителни указания, преди да използвате машината.

- Отработените газове от двигателя съдържат въглероден окис – много опасен, отровен газ без миризма. Не стартирайте двигателя на закрито или в затворени пространства.
- Преди техническо обслужване на продукта спрете двигателя и изключете запалителния кабел от запалителната свещ.
- Носете защитни ръкавици, когато ще изпълнявате дейности, свързани с техническото обслужване на режещото оборудване. Ножът е много остър и можете лесно да се порежете.
- Аксесоари и промени на продукта, които не са одобрени от производителя, могат да доведат до сериозно нараняване или смърт. Не правете промени по продукта. Винаги използвайте само аксесоари, които са одобрени от производителя.
- Ако техническото обслужване не се изпълнява правилно и редовно, рискът от нараняване и повреда на продукта се увеличава.
- Изпълнявайте техническото обслужване само както е посочено в това ръководство на собственика. Всички останали сервизни дейности трябва да се извършват от одобрен Husqvarna сервиз.
- Позволете одобрен Husqvarna сервиз редовно да обслужва продукта.
- Заменете повредени, износени или счупени части.

Монтаж

Въведение



ПРЕДУПРЕЖДЕНИЕ: Преди сглобяване на продукта трябва да прочетете и разберете главата за безопасност.

свещ от запалителната свещ, преди да сглобите продукта.

За монтиране и регулиране на ръчката

1. Отстранете гайката на ръчката и шайбата от плочата върху горната ръчка.
2. Поставете горната ръчка на позиция отгоре спрямо долната ръчка.



ПРЕДУПРЕЖДЕНИЕ: Отстранете кабела на запалителната



ВНИМАНИЕ: Уверете се, че кабелите не са заплетени и няма да се повредят.

3. Закрепете шайбата и гайката на ръчката. (Фиг. 17)
4. Завъртете ръчката настрани за добра работна позиция, когато работите с продукта близо до стена. (Фиг. 18)
5. Завъртете колелата за регулиране върху шасито, за да регулирате вертикално ръчката. (Фиг. 19)

За да монтирате приставката за мулчиране KLIPPO LB 448S, KLIPPO LB 548S e

1. Наклонете продукта назад, като запалителната свещ е насочена нагоре.

Операция

Въведение



ПРЕДУПРЕЖДЕНИЕ: Преди работа с продукта трябва да прочетете и разберете главата за безопасност.

Husqvarna Connect

Husqvarna Connect е безплатно приложение за Вашето мобилно устройство. Приложението Husqvarna Connect осигурява разширени функции за Вашия продукт на Husqvarna:

- Разширена продуктова информация.
- Информация и помощ за частите на продукта и сервисното обслужване.

За да започнете да използвате Husqvarna Connect

1. Изтеглете приложението Husqvarna Connect на Вашето мобилно устройство.
2. Регистрирайте се в приложението Husqvarna Connect.
3. Изпълнете стъпките с инструкции в приложението Husqvarna Connect, за да свържете и регистрирате продукта.

Преди да започнете работа с продукта

1. Прочетете внимателно ръководството за оператора и се уверете, че разбирате инструкциите.
2. Проверете режещото оборудване, за да се уверите, че то е правилно монтирано и регулирано. Вижте *За проверка на режещото оборудване на страница 27*.

2. Поставете щифтовете на приставката за мулчиране в отворите от вътрешната страна на капака срещу порязване. (Фиг. 20)
3. Закрепете винтовете за приставката за мулчиране от външната страна на капака срещу порязване. (Фиг. 21)

3. Напълнете резервоара за гориво. Вижте *За наливане на гориво на страница 24*.

4. Напълнете резервоара за масло и проверете нивото на маслото. Вижте *За проверка на нивото на маслото на страница 28*.

За наливане на гориво

Ако има наличен, използвайте нискоемисионен/алкалитен бензин. Ако няма наличен нискоемисионен/алкалитен бензин, използвайте висококачествен безоловен бензин или оловен бензин с октаново число не по-малко от 90.



ВНИМАНИЕ: Не използвайте бензин с октаново число по-малко от 90 RON (87 AKI). Това може да повреди продукта.

1. Отворете бавно капачката на резервоара за гориво, за да освободите налягането.
2. Заредете бавно резервоара от туба с гориво. Ако разлеее гориво, поийте го с кърпа и оставете горивото, което остане да изсъхне.
3. Почистете областта около капачката на резервоара за гориво.
4. Затегнете капачката на резервоара за гориво докрай. Ако капачката на резервоара за гориво не е затегната, има риск от злополука.
5. Преди да включите двигателя, преместете продукта най-малко на 3 m (10 ft) от мястото, където сте заредили резервоара.

За регулиране на височината на рязане

Височината на рязане може да бъде регулирана в 6 нива.

1. Преместете напред лоста за височина на рязане, за да увеличите височината на рязане.
2. Преместете назад лоста за височина на рязане, за да намалите височината на рязане.



ВНИМАНИЕ: Не настройвайте твърде ниска височина на рязане. Ножовете могат да се ударят в земята, ако повърхността на моравата не е равна.

За стартиране на продукта

1. Уверете се, че запалителният кабел е свързан към запалителната свещ.
2. Отворете горивния клапан. (Фиг. 22)
3. Останете зад продукта.
4. Задръжте ръчката на спирачката на двигателя до управлението. (Фиг. 23)
5. Дръжте дръжката на стартерното въже с дясната си ръка.
6. Бавно издърпайте стартерното въже, докато почувствате някакво съпротивление.
7. Издърпайте силно шнура, докато двигателят запали.



ПРЕДУПРЕЖДЕНИЕ: Не навивайте стартерното въже около ръчката си.



ВНИМАНИЕ: Не изтегляйте напълно стартерното въже. Не пускайте

дръжката на стартерното въже, когато то е изтеглено.

За да използвате задвижването на колелата

- Натиснете надолу задвижващия лост. (Фиг. 24)
- Преди да издърпате продукта назад, изключете задвижването и натиснете продукта напред на приблизително 10cm.
- Освободете малко ръчката на спирачката на двигателя, за да изключите задвижването, например когато приближите препятствие.

Спиране на продукта

- За да спрете само задвижването, освободете малко ръчката на спирачката на двигателя.
- За да спрете двигателя, освободете напълно ръчката за спирачката на двигателя.
- Затворете горивния клапан. (Фиг. 25)

За получаване на добър резултат

- Винаги използвайте остър нож. Косенето със затъпен нож е неравномерно и окосената повърхност пожълтява. При работа с остър нож също така се използва по-малко енергия отколкото при работа със затъпен нож.
- Не отрязвайте повече от $\frac{1}{3}$ от дължината на тревата. Първо, косете със зададена висока височина на рязане. Вижте какъв е резултатът и намалете височината на рязане до подходящо ниво. Ако тревата е много висока, карайте бавно и – ако е необходимо – окосете два пъти.
- Режете всеки път в различни посоки, за да избегнете образуването на линии в моравата.

Поддръжка

Въведение



ПРЕДУПРЕЖДЕНИЕ: Преди да извършите техническо обслужване, трябва да прочетете и разберете раздела за безопасност.

За всички работи по поддръжката и поправката на продукта е необходимо специално обучение. Осигуряваме предлагане на професионални ремонти и обслужване. Ако Вашият дилър не предлага сервизно обслужване, говорете с него, за да Ви даде информация за най-близкия сервиз.

График за техническо обслужване

Интервалите за техническо обслужване са изчислени в зависимост от ежедневната употреба на продукта. Интервалите се променят, ако продуктът не се използва ежедневно.

За техническо обслужване, маркирано със *, вижте инструкциите в *Приспособления за безопасност на машината на страница 22*.

Поддръжка	Ежедневно	Всяка сед-мица	Всеки ме-сец
Обща проверка	X		
Проверка на нивото на маслото	X		
Почистване на продукта	X		
Почистване въздушния филтър	X		
Преглед на режещото оборудване	X		
Проверка на капака на режещите части*	X		
Проверка на ръчката за спирачката на двигателя*	X		
Проверка на ауспуха*		X	
Проверка на запалителната свещ		X	
Проверка на задвижващия ремък за повреди			X
Почистване на корпуса на скоростната кутия			X
Смяна на маслото (първи път след 5 ч употреба, след това на всеки 25 ч употреба и годишно)			X
Смяна на въздушния филтър			X
Проверка на горивната система			X
Проверка и регулиране на задвижването (кабела на съединителя)			X

За извършване на обща проверка

- Уверете се, че всички гайки и винтове на продукта са затегнати правилно.

За външно почистване на машината

- За отстраняване на листа, трева и прах използвайте четка.
- Уверете се, че смукателният въздухпровод в горната част на двигателя не е блокиран.
- Не мийте продукта с устройство за миене под високо налягане.
- Ако използвате вода за почистване на продукта, не насочвайте струята вода директно върху двигателя.

За почистване на вътрешната повърхност на капака на режещите части

- Поставете продукта да легне настрани с ауспуха надолу.



ВНИМАНИЕ: Ако продуктът се постави с въздушния филтър надолу, двигателят може да се повреди.

- Промийте вътрешната повърхност на капака на режещите части с вода.

За проверка на задвижващия ремък и за почистване на корпуса на скоростната кутия

- Отстранете 4-те винта на защитата на ремъка и свалете защитата на ремъка. (Фиг. 26)
- Проверете задвижващия ремък и ремъчната шайба за повреди.
- За почистване на листа, трева и замърсяване от корпуса на скоростната кутия използвайте четка. (Фиг. 27)

За подмяна и регулиране на задвижващия ремък

- Отстранете 4-те винта на защитата на ремъка и свалете защитата на ремъка. (Фиг. 26)
- Поставете плоска отвертка между капачката на оста и колелото на дясното предно колело на продукта.
- Завъртете внимателно отвертката, за да отстраните капачката на оста.
- Отстранете колесния болт и отстранете колелото. (Фиг. 28)

5. Свалете задвижващия ремък от ремъчните шайби.
6. Уверете се, че ремъчните шайби се движат лесно върху оста.
7. Ако е необходимо, напръскайте проникващо масло между и зад ремъчните шайби и смажете оста.
8. Монтирайте нов задвижващ ремък и го закрепете правилно при сачмения лагер, преди да регулирате задвижващия ремък. (Фиг. 29)
9. Преместете сачмения лагер нагоре или надолу, за да регулирате задвижващия ремък. (Фиг. 30)

Забележка: Новият задвижващ ремък става по-дълъг след използване. Регулирайте отново задвижващия ремък след няколко часа работа.

10. Закрепете защитата на ремъка.
11. Работете с продукта, за да се уверите, че задвижващият ремък е правилно монтиран и регулиран.

За подмяна и регулиране на централния ремък

1. Свалете ножа.

Забележка: Тази стъпка не е необходима, когато регулирате само централния ремък.

2. Разхлабете регулиращите винтове с няколко оборота, но не ги отстранявайте. (Фиг. 31)
3. Подменете централния ремък и умерено затегнете регулиращите винтове.

Забележка: Тази стъпка не е необходима, когато регулирате само централния ремък.

4. Преместете зъбното колело напред или назад, за да регулирате централния ремък. (Фиг. 32)
5. Използвайте кантар на кука, за да проверите обтягането на централния ремък. Ремъкът има правилно обтягане, когато може да се движи 6 – 10 mm в центъра. Това отговаря на дърпане от 3 kg. (Фиг. 33)
6. Затегнете регулиращите винтове докрай с въртящ момент от 3 Nm.
7. Работете с продукта, за да се уверите, че задвижващият ремък е правилно монтиран и регулиран.

За проверка на режещото оборудване



ПРЕДУПРЕЖДЕНИЕ: За предотвратяване на случайно стартиране извадете запалителния кабел от запалителната свещ.



ПРЕДУПРЕЖДЕНИЕ: Носете защитни ръкавици, когато ще изпълнявате дейности, свързани с техническото обслужване на режещото оборудване. Ножът е много остър и можете лесно да се порежете.

1. Проверете режещото оборудване за повреди или пукнатини. Винаги заменяйте повреденото режещо оборудване.
2. Погледнете ножа, за да разберете дали не е повреден или затъпен.

Забележка: Необходимо е да балансирате ножа след заточване. Ножът се заточва, сменя и балансира от сервизен център. Ако ударите препятствие и вследствие на това продуктът спре, сменете повредения нож. Оставете специалистите в сервиза да преценят дали ножът ще трябва да се заточи, или да се смени.

За сменяне на ножовете

1. Застопорете ножа с дървен блок. (Фиг. 34)
2. Отстранете придържащия болт на ножовете, пружинната шайба и ножа. (Фиг. 35)
3. Проверете носача на ножа и придържащия болт на ножовете за повреди.
 - a) Ако замените ножа или носача на ножа, също така заменете придържащия болт на ножовете, пружинната шайба и фрикционната шайба.
4. Проверете дали двусекционният вал на двигателя не е огънат.
5. Когато поставяте новия нож, уверете се, че извитите краища сочат по посока на капака срещу порязване. (Фиг. 36)
6. Поставете фрикционната шайба и ножа към носача на ножа. (Фиг. 37)
7. Уверете се, че ножът е подравнен с центъра на двусекционния вал на двигателя. (Фиг. 38)
8. Застопорете ножа с дървен блок. (Фиг. 39)
9. Поставете пружинната шайба и затегнете болта с въртящ момент от 80 Nm. (Фиг. 40)
10. Раздвижете ножа на ръка и се уверете, че той се върти свободно.



ПРЕДУПРЕЖДЕНИЕ:

Използвайте защитни ръкавици. Ножът е много остър и можете лесно да се порежете.

11. Стартирайте продукта, за да тествате ножа. Ако ножът не е поставен правилно, продуктът вибрира или резултатът от косенето е незадоволителен.

За проверка на нивото на маслото



ВНИМАНИЕ: Твърде ниското ниво на маслото може да доведе до повреда на двигателя. Проверете нивото на маслото, преди да стартирате продукта.

1. Позиционирайте машината на равна повърхност.
2. Затворете горивния клапан.
3. Отстранете капачката на резервоара с прикрепена мерителна пръчка.
4. Почистете маслото от мерителната пръчка.
5. Поставете мерителната пръчка в резервоара за масло, но не затягайте капачката на резервоара за масло.
6. Извадете мерителната пръчка.
7. Вижте колко е нивото на маслото на мерителната пръчка.
8. Ако нивото на маслото е ниско, долейте моторно масло и отново проверете нивото му. Нивото на масло е правилно, когато е в горната маркировка на мерителната пръчка.

За смяна на моторното масло



ПРЕДУПРЕЖДЕНИЕ:

Моторното масло е много горещо непосредствено след спирането на двигателя. Оставете двигателя да изстине, преди да източите маслото. Ако разлеете моторно масло върху кожата си, почистете със сапун и вода.

1. Работете с продукта, докато резервоара за гориво се изпразни.
2. Извадете запалителния кабел от запалителната свещ.
3. Свалете капачката на резервоара за масло.
4. Поставете съд под продукта, в който да се събере моторното масло.
5. Наклонете продукта, за да изтече моторното масло от резервоара за масло.
6. Заредете с ново моторно масло от препоръчания тип в *Технически данни на страница 29*.
7. Проверете нивото на моторното масло. Вижте *За проверка на нивото на маслото на страница 28*.

Почистване на въздушния филтър



ВНИМАНИЕ: Не включвайте двигателя без поставен въздушен филтър или ако въздушният филтър е замърсен.



ВНИМАНИЕ: Подменете въздушния филтър, ако той не може да се почисти или ако е повреден. Дефектен въздушен филтър води до повреда на двигателя.

1. Натиснете заключващите уши (А), свалете капака на въздушния филтър (В) и свалете въздушния филтър (С). (Фиг. 41)
2. Ударете въздушния филтър в твърда повърхност или продухайте състен въздух през въздушния филтър от чистата страна на въздушния филтър.



ВНИМАНИЕ: Не използвайте четка, за да отстраните замърсяванията, тъй като това ще ги набие навътре във въздушния филтър.

3. Почистете държача на въздушния филтър (D) и капака на въздушния филтър с влажна кърпа.



ВНИМАНИЕ: Уверете се, че във въздуховода (Е) не попада мръсотия.

4. Монтирайте въздушния филтър. Уверете се, че въздушният филтър напълно прилепва към държача на въздушния филтър.
5. Монтирайте капака на въздушния филтър, като първо поставите долните уши.

За проверка на запалителната свещ



ВНИМАНИЕ: Използвайте винаги запалителните свещи от препоръчания вид. Използването на запалителна свещ от неправилен тип може да повреди продукта.

- Проверете запалителната свещ, ако двигателят е с понижена мощност, стартира трудно или работи неправомерно при обороти на празен ход.
- За да намалите опасността от попадане на нежелани материали върху електродите на запалителната свещ, следвайте тези инструкции:
 - a) Проверете дали оборотите на празния ход са правилно регулирани.
 - b) Уверете се, че горивната смес е правилна.
 - c) Уверете се, че въздушният филтър е чист.
- Ако запалителната свещ е замърсена, почистете я и проверете дали разстоянието между електродите е правилно, направете справка с *Технически данни на страница 29*. (Фиг. 42)
- Сменете запалителната свещ, ако е необходимо.

За проверка на горивната система

- Проверете капачката на резервоара за гориво и уплътнението на капачката на резервоара за гориво, за да се уверите, че не са повредени.
- Проверете маркуча за горивото, за да се уверите, че не тече. Ако маркучът за горивото е повреден, той трябва да се смени от сервиз.

За регулиране на кабела на съединителя

Ако Ви се струва, че задвижването е бавно, необходимо е да регулирате кабела на съединителя.

- Завъртете регулиращия винт. (Фиг. 43)

Кабелът на съединителя е правилно регулиран, когато скобата на кабела на съединителя се подравни с гайката.

(Фиг. 44)

Транспортиране, съхранение и изхвърляне

Транспорт и съхранение

- При съхранението и транспортирането на продукта и горивото се уверете, че няма течове или изпарения. Искри или открит огън, например от електрически уреди или котли може да възникне пожар.
- Винаги използвайте одобрени контейнери за съхранение и транспортиране на гориво.
- Изпразнете резервоара за гориво, преди да приберете продукта за съхранение за дълъг период от време. Изхвърлете горивото на подходящо за целта място
- Прикрепете продукта по безопасен начин по време на транспортирането, за да се предотвратят повреди и злополуки.

- Съхранявайте продукта под ключ, за да предотвратите достъпа до него на деца или лица, които не са упълномощени да го използват.
- Съхранявайте продукта на сухо и незамръзващо място.

Изхвърляне

- Съблюдавайте местните изисквания за рециклиране и приложимите разпоредби.
- Изхвърлете всички химикали, като например двигателно масло или гориво, в сервизен център или на подходящо за целта място.
- Когато продуктът вече не се използва, изпратете го на Husqvarna дилър или го изхвърлете на място за рециклиране.

Технически данни

Технически характеристики

	KLIPPO LB 448S	KLIPPO LB 453S	KLIPPO LB 548S e
Двигател			
Марка	Honda	Honda	Honda
Работен обем, cm ³	145	166	166
Скорост, об./мин	2900	2900	2900
Номинална изходна мощност на двигателя, kW ⁶	2,7	3,3	3,3
Запалителна система			

⁶ Номиналната мощност на двигателя е средната нетна изходяща мощност (при указаните об/мин) на типичен произведен двигател за модела двигател, измерен спрямо SAE стандарта J1349/ISO1585. Двигателите масово производство може да се отклоняват от тази стойност. Действителната изходяща мощност за двигателя, монтиран на крайния продукт, ще зависи от работните обороти, условията на околната среда и други стойности.

	KLIPPO LB 448S	KLIPPO LB 453S	KLIPPO LB 548S e
Запалителна свещ	NGK BPR5ES	NGK BPR5ES	NGK BPR5ES
Разстояние между електродите, mm	0,7 – 0,8	0,7 – 0,8	0,7 – 0,8
Горивна и смазочна система			
Вместимост на резервоара за гориво, литри	0,9	0,9	0,9
Вместимост на резервоара за масло, литри	0,55	0,5	0,55
Моторно масло ⁷	SAE 10W-30	SAE 10W-30	SAE 10W-30
Тегло			
С празни резервоари, kg	30,5	33	32,5
Шумови емисии ⁸			
Ниво на звуковата мощност, измерена dB(A)	90	91	90
Ниво на звуковата мощност, гарантирана [L _{WA} dB(A)]	91	94	91
Нива на звука ⁹			
Ниво на шума при ухото на оператора, dB (A)	77	78	78
Нива на вибрациите, a_{hveq} ¹⁰			
Ръкохватка, m/s ²	4,5	5,3	4,8
Режещо оборудване			
Височина на рязане, mm	30 – 60	30 – 60	30 – 60
Ширина на рязане, mm	480	530	480
Резец	Мулчиране – 48 cm 5028813-10	Мулчиране – 53 cm 5028814-10	Мулчиране – 48 cm 5028813-10
Задвижване			
Скорост, km/h	4,5	4,5	4,5

⁷ Използвайте моторно масло с качество SG–SH. Вижте таблицата с вискозитети в ръководството на производителя на двигателя и изберете оптималния вискозитет спрямо очакваната околна температура.

⁸ Шумови емисии в околната среда, измерени като звукова мощност (L_{WA}) в съответствие с директива на ЕО 2000/14/ЕО.

⁹ Ниво на звуковото налягане съгласно ISO 5395. Отчетените данни за нивото на звуковото налягане имат типична статистическа дисперсия (стандартно отклонение) от 1,2 dB (A).

¹⁰ Ниво на вибрациите съгласно ISO 5395. Отчетените данни за равнището на вибрации имат типична статистическа дисперсия (стандартно отклонение) от 0,2 m/s².

Декларация за съответствие на ЕО

Декларация за съответствие на ЕО

Husqvarna AB, SE-561 82 Huskvarna, Швеция, тел.: +46-36-146500, декларира, че **косачките Husqvarna KLIPPO LB 448S, KLIPPO LB 453S, KLIPPO LB 548S** е със серийни номера от 2020xxxxxxx и нататък отговарят на изискванията на ДИРЕКТИВАТА НА СЪВЕТА:

- от 17 май 2006 г., „свързана с машини“ **2006/42/EO**
- от 26 февруари 2014 г., "свързани с електромагнетичната съвместимост" **2014/30/EC**
- от 8 май 2000 г., "свързани с шумовите емисии в околната среда" **2000/14/EO**
- от 8 юни 2011 г., "по отношение на ограничението за използване на определени опасни вещества в електрическо и електронно оборудване" **2011/65/EC**

За информация относно емисиите на шум, вж. "Технически данни".

Приложени са следните стандарти:

EN ISO 5395-1, EN ISO 5395-2, EN ISO 5395-2 Amd1, EN ISO 5395-2 Amd 2, EN 55012, EN 50581:2012

Ако не е указано друго, посочените по-горе стандарти са последните публикувани версии.

Нотифициран орган: **0404, RISE SMP Svensk Maskinprovning AB, Box 7035, SE-750 07 Uppsala** издава отчети относно оценката на съответствието с приложение VI на ДИРЕКТИВАТА НА СЪВЕТА от 8 май 2000 г. "относно шумови емисии в околната среда" 2000/14/EO.

Huskvarna, 2020-09-16



Claes Losdal, Мениджър "Разработки и Развитие"/"Градински продукти" (Упълномощен представител за Husqvarna AB и отговорно лице за техническата документация)

Obsah

Úvod.....	32	Údržba.....	37
Bezpečnost.....	33	Přeprava, skladování a likvidace.....	40
Montáž.....	36	Technické údaje.....	41
Provoz.....	36	ES Prohlášení o shodě.....	43

Úvod

Popis výrobku

Výrobek je rotační sekačka na trávu s pěší obsluhou, která pomocí funkce BioClip® umožňuje využít posečenou trávu jako hnojivo.

Popis výrobku

(Obr. 1)

1. Řídítka
2. Páka brzdy motoru
3. Páčka pojezdu
4. Rukojeť startéru
5. Víčko nádrže na olej
6. Kryt řemene
7. Tlumič výfuku
8. Zapalovací svíčka
9. Kryt řemene
10. Palivová nádrž
11. Páka pro seřízení úhlu řídítek
12. Systém tlumení vibrací
13. Seřízení lanka spojky
14. Dolní část řídítek
15. Páka pro nastavení výšky sečení
16. Palivový ventil
17. Vzduchový filtr
18. Kryt žacího ústrojí
19. Pružná podložka
20. Šroub nože
21. Žací nůž
22. Unášeč nože
23. Mulčovací vložka (KLIPPO LB 448S, KLIPPO LB 548S e)
24. Návod k používání

Symbols na výrobku

(Obr. 2) VAROVÁNÍ: Nepozorné nebo nesprávné použití může vést ke zranění nebo usmrcení obsluhy a dalších osob.

(Obr. 3) Před použitím si pozorně prostudujte tento návod k používání a nepoužívejte výrobek, pokud návodu zcela nerozumíte.

Zamýšlené použití

Výrobek používejte k sečení trávy. K jiným činnostem výrobek nepoužívejte.

(Obr. 4) Pozor na odvržené a odražené předměty.

(Obr. 5) Zajistěte, aby se v pracovní oblasti a jejím okolí nezdržovaly nepovolané osoby či zvířata.

(Obr. 6) Před prováděním oprav a údržby vypněte motor a odpojte kabel zapalování.

(Obr. 7) Varování: Ruce a nohy udržujte mimo dosah rotujících částí.

(Obr. 8) Varování: Ruce a nohy udržujte mimo dosah rotujícího nože.

(Obr. 9) Tento výrobek vyhovuje platným směrnici ES.

(Obr. 10) Emise hluku do životního prostředí podle směrnice EU 2000/14/ES a podle nařízení o regulaci hluku v australském Novém Jižním Walesu „Protection of the Environment Operations (Noise Control) Regulation 2017“. Údaje o emisích hluku naleznete na štítku stroje a v kapitole Technické údaje.

(Obr. 11) Skenovatelný kód.

Povšimněte si: Další symboly/štítky na produktu se týkají certifikačních požadavků pro některé komerční oblasti.

Štítek na výrobku, pouze pro Austrálii a Nový Zéland

(Obr. 12)

Ruce a nohy udržte mimo dosah rotujícího nože.

Emise Euro V



VÝSTRAHA: Manipulace s motorem vede k zneplatnění typového schválení EU tohoto výrobku.

Odpovědnost za výrobek

Jak uvádí zákon o odpovědnosti za výrobek, neneseme odpovědnost za žádnou škodu způsobenou naším výrobkem, pokud:

- byl výrobek nesprávně opraven.
- byl výrobek opraven pomocí součástí od jiného výrobce nebo součástí, které nejsou výrobcem schváleny.
- má výrobek příslušenství od jiného výrobce nebo příslušenství, které není výrobcem schváleno.
- výrobek nebyl opraven ve schváleném servisním středisku nebo schváleným odborníkem.

Bezpečnost

Definice týkající se bezpečnosti

Varování, upozornění a poznámky slouží jako upozornění na specifické důležité části návodu.



VÝSTRAHA: Používá se v případě nebezpečí úrazu nebo usmrcení obsluhy nebo okolních osob, pokud nejsou dodrženy pokyny uvedené v této příručce.



VAROVÁNÍ: Používá se v případě nebezpečí poškození výrobku, dalších materiálů či škod na majetku v blízkém okolí, pokud nejsou dodrženy pokyny uvedené v této příručce.

Povšimněte si: Používá se k poskytnutí dalších informací, které jsou nezbytné v dané situaci.

Obecné bezpečnostní pokyny



VÝSTRAHA: Před použitím výrobku si přečtete následující varování.

- Tento výrobek je nebezpečný, nepoužívejte-li se správně nebo není-li věnována provozu řádná pozornost. Nedodržení bezpečnostních pokynů může vést ke zranění nebo usmrcení.
- Tento výrobek vytváří během provozu elektromagnetické pole. Toto pole může za určitých okolností narušovat funkci aktivních či pasivních implantovaných lékařských přístrojů. Za účelem snížení rizika možného zranění nebo smrtelného úrazu doporučujeme osobám s implantovanými lékařskými přístroji poradit se před použitím výrobku s lékařem a s výrobcem implantovaného lékařského přístroje.
- Buďte stále opatrní a používejte zdravý rozum. Nejste-li si jisti, jak ovládat výrobek ve zvláštních situacích, vypněte jej a promluvte si s prodejcem Husqvarna, než budete pokračovat v práci.

- Mějte na paměti, že obsluha je odpovědná za nehody a škody vzniklé jiným osobám nebo na jejich majetku.
- Udržujte výrobek čistý. Ujistěte se, že jsou značky a štítky dobře čitelné.
- Nedovoľte osobám používat výrobek, nejste-li si jisti, že si přečetly návod k používání a porozuměly jeho obsahu.
- Zamezte používání výrobku dětem.
- Udržujte děti mimo pracovní oblast. Vždy musí být přítomna zodpovědná dospělá osoba.
- Zamezte používání výrobku osobami, které naznají pokyny.
- Vždy sledujte osoby s fyzickým nebo mentálním postižením při práci s výrobkem. Vždy musí být přítomna zodpovědná dospělá osoba.
- Nepoužívejte výrobek, jste-li unavení, nemocní nebo pod vlivem alkoholu, drog nebo léků. To by mohlo ovlivnit váš zrak, ostražitost, koordinaci a úsudek.
- Nepoužívejte výrobek, pokud je vadný.
- Nikdy neupravujte výrobek a nepoužívejte jej, pokud je možné, že jej upravil někdo jiný.
- Neměňte nastavení regulace otáček motoru.

Bezpečnost pracovního prostoru



VÝSTRAHA: Před použitím výrobku si přečtete následující varování.

- Před použitím výrobku, odklíďte z pracovní oblasti předměty, jako jsou větve, větvičky a kameny.
- Předměty, které mohou být zachyceny žacími ústroji mohou být odmrštěny a způsobit zranění osob a poškození předmětů. Udržujte osoby v okolí a zvířata v bezpečné vzdálenosti od výrobku.
- Nikdy nepoužívejte výrobek za špatného počasí, jako je mlha, déšť, silný vítr, intenzivní chlad a nebezpečí blesku. Použití výrobku za špatného počasí nebo ve vlhkých či mokrých podmínkách je namáhavé. Nepříznivé počasí může vytvořit nebezpečné podmínky, např. kluzký povrch.

- Dávejte pozor na osoby, předměty a situace, které mohou bránit bezpečnému provozu výrobku.
- Dávejte pozor na překážky, jako jsou kořeny, kameny, větve, díry a příkopy. Vysoká tráva může překážky skrýt.
- Sečení trávy na svazích může být nebezpečné. Nepoužívejte výrobek na svahu se sklonem větším než 15°.
- S výrobkem jezděte po vrstevnicích. Nepohybujte se na svahu nahoru a dolů.
- Postupujte opatrně v blízkosti skrytých rohů a objektů, které mohou bránit ve výhledu.

Bezpečnost práce



VÝSTRAHA: Před použitím výrobku si přečtěte následující varování.

- Tento výrobek použijte výhradně k sečení trávy. Není dovoleno používat výrobek k jiným činnostem.
- Používejte osobní ochranné prostředky. Další informace naleznete v části *Osobní ochranné prostředky na straně 34*.
- Ujistěte se, že víte, jak v případě nouze rychle zastavit motor.
- Nikdy nespouštějte motor v uzavřených prostorech nebo v blízkosti hořlavého materiálu. Výfukové plyny z motoru jsou horké a mohou obsahovat jiskry, které by mohly zažehnout požár.
- Neprovozujte výrobek, pokud není správně namontovaný nůž a všechny kryty. V opačném případě by se mohl nůž uvolnit a způsobit zranění osob.
- Zajistěte, aby nůž nenarazil do předmětů, jako jsou kameny a kořeny. Mohlo by dojít k poškození nože a ohnutí hřídele motoru. Ohnutý hřídel způsobuje velké vibrace a hrozí velmi vysoké riziko uvolnění nože.
- Pokud nůž narazí do nějakého předmětu nebo se objeví vibrace, okamžitě zastavte výrobek. Odpojte kabel zapalování od zapalovací svíčky. Zkontrolujte, zda není výrobek poškozený. Opravte poškozené díly nebo svěťte opravu schválenému servisnímu pracovníkovi.
- Po nastartování motoru nikdy nepřipevňujte páku brzd motoru trvale k rukojeti sekačky.
- Umístěte výrobek na stabilní, rovný povrch a nastartujte jej. Zkontrolujte, zda nůž nemůže přijít do kontaktu se zemí nebo cizími objekty.
- Při provozu vždy stůjte za výrobkem.
- Při provozu nechte všechna kola spočívat na zemi a držte rukojeť oběma rukama. Ruce a nohy udržujte mimo dosah rotujících nožů.
- Nenaklánejte výrobek, když je spuštěný motor.
- Dávejte pozor při tažení výrobku dozadu.
- Nikdy nezvedejte výrobek, když je spuštěný motor. Pokud musíte výrobek zvednout, nejprve vypněte

motor a odpojte kabel zapalování od zapalovací svíčky.

- Při provozování výrobku nechodte směrem dozadu.
- Před přejezdem ploch bez trávy, jako jsou cesty vytvořené ze šterku, kamenů nebo asfaltu, vypněte motor.
- Neběhejte s výrobkem, když je spuštěný motor. Při provozu výrobku vždy pouze chodte.
- Před změnou výšky sečení vypněte motor. Nikdy neprovádějte seřizování při spuštěném motoru.
- Nikdy nenechte výrobek se spuštěným motorem bez dozoru. Vypněte motor a ujistěte se, že se žací ústrojí neotáčí.

Bezpečnostní pokyny pro provoz

Osobní ochranné prostředky



VÝSTRAHA: Před použitím výrobku si přečtěte následující varování.

- Osobní ochranné prostředky nemohou zcela eliminovat nebezpečí úrazu, ale v případě nehody pomáhají snížit míru poranění. Požádejte prodejce, aby vám pomohl vybrat správné vybavení.
- Používejte ochranu sluchu, pokud je hladina hluku vyšší než 85 dB.
- Používejte odolnou obuv s protiskluzovou podrážkou. Nepoužívejte otevřenou obuv ani nepracujte naboso.
- Používejte silné, dlouhé kalhoty.
- Při určitých činnostech používejte ochranné rukavice, například při nasazování, prohlídce nebo čištění žacího ústrojí.

Bezpečnostní zařízení na produktu



VÝSTRAHA: Před použitím výrobku si přečtěte následující varování.

- Nepoužívejte výrobek, jehož bezpečnostní zařízení jsou vadná!
- Pravidelně kontrolujte bezpečnostní zařízení. Pokud je zařízení vadné, obraťte se na servis Husqvarna.

Kontrola krytu žacího ústrojí

Kryt žacího ústrojí snižuje vibrace výrobku a snižuje nebezpečí poranění nožem.

- Zkontrolujte kryt žacího ústrojí, aby bylo zajištěno, že nevykazuje známky poškození, např. praskliny.

Kontrola krytu řemene

Kryt řemene snižuje nebezpečí poranění a zajišťuje, že nevyletí přetřžený hnací řemen.

- Zkontrolujte, zda není kryt řemene poškozený a zda je správně upevněný. (Obr. 13)

Kontrola krytu řemene

Kryt řemene snižuje nebezpečí poranění a zajišťuje, že nevyletí přetržený hnací řemen.

- Zkontrolujte, zda není kryt řemene poškozený a zda je správně upevněný. (Obr. 14)

Páka brzdy motoru

Páka brzdy motoru slouží k zastavení motoru. Když uvolníte páku brzdy motoru, motor se zastaví.

Chcete-li zkontrolovat brzdu motoru, nastartujte motor a uvolněte páku brzdy motoru. Pokud se motor nevypne během 3 sekund, požádejte schváleného servisního pracovníka Husqvarna o seřízení brzdy motoru.

(Obr. 15)

Kontrola systému tlumení vibrací



VÝSTRAHA: Přílišné vystavení vibracím může u osob se zhoršenou funkcí krevního oběhu vést k poruchám oběhového nebo nervového systému. Pokud pocítíte příznaky obtíží způsobených nadměrným vystavením vibracím, vyhledejte lékařskou pomoc. Mezi tyto příznaky může patřit zcitlivění některých částí těla, ztráta citu v rukou, brnění, píchání, bolest, ztráta síly, změna barvy nebo stavu kůže. Tyto příznaky se obvykle objevují v prstech, na rukou nebo v zápěstí.

Systém tlumení vibrací snižuje vibrace v řídítkách během provozu.

Ocelová trubka v řídítkách a kryt žacího ústrojí snižují vibrace. Model KLIPPO LB 548S e má také 4 antivibrační prvky, které jsou připevněné k řídítkům.

- Zkontrolujte řídítka a antivibrační prvky, aby bylo zajištěno, že nejsou poškozené. (Obr. 16)

Unášec nože

Unášec nože snižuje nebezpečí ohnutí hřídele motoru. Pokud nůž narazí do nějakého předmětu, bude se pohybovat proti unášeci nože. Tento pohyb způsobí opotřebení na povrchu unášece nože. Opotřebení ukazuje, že ochrana hřídele motoru funguje správně.

Tlumič výfuku

Tlumič výfuku je určen k omezení úrovně hluku na minimum a k usměrnění výfukových plynů směrem od obsluhy.

Nepoužívejte výrobek bez tlumiče výfuku nebo pokud je vadný. Vadný tlumič výfuku zvyšuje hladinu hluku a nebezpečí požáru.



VÝSTRAHA: Tlumič výfuku je během provozu a po použití velmi horký, i když motor pracuje na volnoběžné otáčce. Aby se zabránilo požáru, dbejte zvýšené opatrnosti v blízkosti hořlavých materiálů a plynů.

Kontrola tlumiče výfuku

- Pravidelně kontrolujte tlumič výfuku, aby bylo zajištěno, že je řádně upevněný a že není poškozený.

Bezpečnost při manipulaci s palivem



VÝSTRAHA: Před použitím výrobku si přečtěte následující varování.

- Pokud je na výrobku palivo nebo olej, nespouštějte ho. Nechtěně palivo/olej z výrobku odstraňte a nechte výrobek uschnout.
- Pokud si palivem polijete oblečení, okamžitě se převlékněte.
- Zabraňte styku paliva s tělem, může způsobit zranění. Pokud se polijete palivem, omyjte zasažené místo vodou a mýdlem.
- Nepouštějte motor, pokud z něj něco uniká. Pravidelně kontrolujte, jestli z motoru nic neuniká.
- Při manipulaci s palivem buďte opatrní. Palivo je hořlavé a výpary jsou výbušné a můžou způsobit zranění nebo smrt.
- Nevdechujte palivové výpary, můžou způsobit zranění. Zajistěte dostatečný průtok vzduchu.
- V blízkosti paliva ani motoru nekuřte.
- Do blízkosti paliva ani motoru neumísťujte horké předměty.
- Když je spuštěný motor, nedoplňujte palivo.
- Než začnete doplňovat palivo, přesvědčte se, že je motor studený.
- Než doplníte palivo, pomalu otevřete uzávěr palivové nádrže a opatrně uvolněte tlak.
- Palivo do motoru nedoplňujte ve vnitřních prostorech. Nedostatečné proudění vzduchu může způsobit zranění nebo smrt udušením nebo otravou kyslíčnickem uhelnatým.
- Pevně dotáhněte víčko palivové nádrže. Není-li víčko palivové nádrže dotažené, hrozí nebezpečí požáru.
- Než výrobek spustíte, přejděte s ním minimálně 3 m (10 stop) od místa, kde jste doplňovali palivo.
- Nenaplňujte palivovou nádrž na maximum. Teplem dochází k rozpinání paliva. V horní části palivové nádrže udržujte volný prostor.

Bezpečnostní pokyny pro údržbu



VÝSTRAHA: Před použitím výrobku si přečtete následující varování.

- Výfukové plyny obsahují oxid uhelnatý, jedovatý a velmi nebezpečný plyn bez zápachu. Nenechávejte motor spuštěný ve vnitřních nebo uzavřených prostorech.
- Před prováděním údržby výrobku nejprve vypněte motor a odpojte kabel zapalování od zapalovací svíčky.
- Při provádění údržby žacího ústrojí používejte ochranné rukavice. Nůž je velmi ostrý a může snadno dojít k pořezání.

- Příslušenství a změny výrobku, které neschválí výrobce, mohou způsobit vážné zranění nebo úmrtí. Neprovádějte změny na výrobku. Vždy používejte výhradně příslušenství schválené výrobcem.
- Při nesprávném nebo nepravidelném provádění údržby se zvyšuje nebezpečí poranění a poškození výrobku.
- Provádějte pouze údržbu uvedenou v tomto návodu k používání. Veškerý ostatní servis musí provést schválený servisní pracovník Husqvarna.
- Servis výrobku by měl provádět schválený servisní pracovník Husqvarna v pravidelných intervalech.
- Poškozené, opotřebené či prasklé součásti vyměňte.

Montáž

Úvod



VÝSTRAHA: Před montáží výrobku je třeba, abyste si přečetli a porozuměli kapitole o bezpečnosti.



VÝSTRAHA: Před montáží výrobku sejměte koncovku kabelu zapalovací svíčky ze zapalovací svíčky.

3. Namontujte podložku a matici řídicíků. (Obr. 17)
4. Pokud pracujete s výrobkem v blízkosti stěny, otočte řídicíka do strany do vhodné provozní polohy. (Obr. 18)
5. Chcete-li nastavit řídicíka do svislé polohy, otočte nastavovací kolečka na podvozku. (Obr. 19)

Montáž mulčovací vložky KLIPPO LB 448S, KLIPPO LB 548S e

1. Nakloňte výrobek dozadu se zapalovací svíčkou směrem nahoru.
2. Vložte kolíky mulčovací vložky do otvorů z vnitřní strany krytu žacího ústrojí. (Obr. 20)
3. Namontujte šrouby pro mulčovací vložku z vnější strany krytu žacího ústrojí. (Obr. 21)

Montáž a seřízení řídicítek

1. Odmontujte matici řídicítek a podložku z destičky na horní část řídicítek.
2. Umístěte horní část řídicítek do polohy nad dolní část řídicítek.



VAROVÁNÍ: Zkontrolujte, zda se nezachytila lanka a zda nejsou poškozená.

Provoz

Úvod



VÝSTRAHA: Před používáním produktu je třeba, abyste si přečetli a porozuměli kapitole o bezpečnosti.

Jak začít používat aplikaci Husqvarna Connect

1. Stáhněte si aplikaci Husqvarna Connect do svého mobilního zařízení.
2. V aplikaci Husqvarna Connect se zaregistrujte.
3. Při připojování a registraci výrobku postupujte podle pokynů v aplikaci Husqvarna Connect.

Husqvarna Connect

Husqvarna Connect je bezplatná aplikace pro mobilní zařízení. Aplikace Husqvarna Connect dodá vašemu výrobku Husqvarna doplňkové funkce:

- Rozšířené informace o výrobku.
- Informace o dílech a servisu a nápověda pro tyto položky.

Před použitím výrobku

1. Pozorně si prostudujte tento návod k používání a nepoužívejte výrobek, pokud návodu zcela nerozumíte.

2. Zkontrolujte žací ústrojí, aby bylo zajištěno, že je řádně připevněné a nastavené. Viz *Kontrola žacího ústrojí na strani 39*.
3. Naplňte palivovou nádrž. Viz *Doplňování paliva na strani 37*.
4. Doplňte olej do olejové nádrže a zkontrolujte hladinu oleje. Viz *Kontrola hladiny oleje na strani 39*.

Doplňování paliva

Pokud možno používejte alkylátový benzín s nízkými emisemi. Není-li k dostání alkylátový benzín s nízkými emisemi, používejte kvalitní bezolovnatý benzín nebo olivnatý benzín s oktanovým číslem nejméně 90.



VAROVÁNÍ: Nepoužívejte benzín s oktanovým číslem nižším než 90 RON (87 AKI). Můžete tím výrobek poškodit.

1. Víčko palivové nádrže otevírejte pomalu, aby se uvolnil tlak.
2. Palivo doplňte pomalu z kanystru. Dojde-li k rozlítí paliva, odstraňte jej úterkou a zbývající palivo nechte vypařit.
3. Očistěte plochu kolem víčka palivové nádrže.
4. Pevně dotáhněte víčko palivové nádrže. Není-li víčko palivové nádrže dotažené, hrozí nebezpečí požáru.
5. Než výrobek spustíte, přejděte s ním minimálně 3 m (10 stop) od místa, kde jste doplňovali palivo.

Nastavení výšky sečení

Výšku sečení lze nastavit v 6 úrovních.

1. Chcete-li výšku sečení zvýšit, posuňte páku pro nastavení výšky sečení dopředu.
2. Chcete-li výšku sečení snížit, posuňte páku pro nastavení výšky sečení dozadu.



VAROVÁNÍ: Nenastavujte výšku sečení příliš nízkou. V případě, že není povrch trávníku rovný, mohou nože přijít do styku se zemí.

Spuštění výrobku

1. Zkontrolujte, zda je kabel zapalování připojený k zapalovací svíčke.

2. Otevřete ventil přívodu paliva. (Obr. 22)
3. Postavte se za výrobek.
4. Držte páku motorové brzdy přitisknutou k rukojeti sekačky. (Obr. 23)
5. Uchopte rukojeť startovací šňůry pravou rukou.
6. Pomalu vytáhněte startovací šňůru, dokud neucítíte odpor.
7. Nastartujte motor silným zatáhnutím za šňůru.



VÝSTRAHA: Nikdy si neomotávejte startovací šňůru kolem ruky.



VAROVÁNÍ: Nevytahujte zcela startovací šňůru. Když je startovací šňůra vytažená, nepouštějte rukojeť.

Použití pohonu kol ()

- Zatlačte páčku pojezdu dolů. (Obr. 24)
- Pokud chcete táhnout výrobek dozadu, odpojte pohon a zatlačte výrobek dopředu přibližně 10cm.
- V blízkosti překážek uvolněte částečně rukojeť motorové brzdy, aby se deaktivoval pohon.

Zastavení výrobku

- Chcete-li zastavit pouze pojezd, uvolněte částečně rukojeť motorové brzdy.
- Motor zastavíte kompletním uvolněním rukojeti motorové brzdy.
- Zavřete ventil přívodu paliva. (Obr. 25)

Jak docílit dobrých výsledků

- Používejte vždy ostrý nůž. Při použití tupého nože je stříh nepravidelný a posečený povrch trávy žlutne. Ostrý nůž také vyžaduje méně energie než tupý nůž.
- Nesekejte více než 1/3 výšky trávy. Nejprve sekejte se žacími ústrojími nastaveným vysoko. Zkontrolujte výsledek a případně snižte výšku sečení na požadovanou úroveň. Pokud je tráva velmi vysoká, jeďte pomalu a v případě potřeby sekejte 2krát.
- Sekejte vždy v jiném směru, aby na trávníku nevznikly pruhy.

Údržba

Úvod



VÝSTRAHA: Před prováděním údržby je třeba, abyste si přečetli a porozuměli kapitole o bezpečnosti.

Pro servis a opravy výrobku je nezbytné speciální školení. Garantujeme dostupnost profesionálních oprav a servisu. Pokud neposkytujete prodejce servisní služby, požádejte jej o informace o nejbližším servisu.

Plán údržby

Intervaly údržby se vypočítávají na základě každodenního používání výrobku. Intervaly se mění, není-li výrobek používán denně.

U údržby označené symbolem * vyhledejte pokyny v části *Bezpečnostní zařízení na produktu na strani 34.*

Údržba	Denně	Týdně	Měsíčně
Proveďte běžnou kontrolu.	X		
Zkontrolujte hladinu oleje.	X		
Vyčistěte výrobek.	X		
Vyčistěte vzduchový filtr.	X		
Zkontrolujte žací ústrojí.	X		
Zkontrolujte kryt žacího ústrojí.*	X		
Zkontrolujte páku brzdy motoru.*	X		
Zkontrolujte tlumič výfuku.*		X	
Zkontrolujte zapalovací svíčku.		X	
Prohlédněte, zda není poškozen hnací řemen.			X
Vyčistěte skříň převodovky.			X
Vyměňte olej (poprvé po 5 h použití, poté po každých 25 h použití a jednou ročně).			X
Vyměňte vzduchový filtr.			X
Zkontrolujte palivový systém.			X
Zkontrolujte a nastavte pohon (lanko spojky).			X

Provedení běžné kontroly

- Zajistěte, aby byly všechny matice a šrouby na výrobku správně dotažené.

Čištění výrobku zvnějšku

- Pomocí kartáče odstraňte listí, trávu a nečistoty.
- Zkontrolujte, zda není přívod vzduchu v horní části motoru ucpaný.
- K čištění produktu nepoužívejte vodu pod vysokým tlakem.
- Pokud používáte vodu k čištění motoru, nastříkejte ji přímo na motor.

Čištění vnitřního povrchu krytu žacího ústrojí

1. Položte výrobek na bok s výfukem dole.



VAROVÁNÍ: Pokud byste položili výrobek se vzduchovým filtrem dole, mohl by se poškodit motor.

2. Opláchněte vodu z hadice vnitřní povrch krytu žacího ústrojí.

Kontrola hnacího řemene a čištění skříně převodovky

1. Vyšroubujte 4 šrouby na krytu řemene a sejměte kryt. (Obr. 26)
2. Zkontrolujte, zda není poškozený hnací řemen a řemenice.
3. Pomocí kartáče ze skříně převodovky odstraňte listí, trávu a nečistoty. (Obr. 27)

Výměna a seřízení hnacího řemene

1. Vyšroubujte 4 šrouby na krytu řemene a sejměte kryt. (Obr. 26)
2. Vložte plochý šroubovák mezi kryt náboje a kolo na pravém předním kole výrobku.
3. Otočte opatrně šroubovákem a sejměte kryt náboje.
4. Odmontujte šroub kola a sundejte kolo. (Obr. 28)
5. Sejměte hnací řemen z řemenic.
6. Zkontrolujte, zda se řemenice pohybují snadno na hřídelích.
7. V případě potřeby nastříkejte penetrační olej mezi řemenice a za řemenice a promažte hřídel.

- Nasadte nový hnací řemen a připevňte jej správně na kuličkové ložisko ještě před seřízením hnacího řemene. (Obr. 29)
- Posunem kuličkového ložiska nahoru nebo dolů seříďte hnací řemen. (Obr. 30)

Povšimněte si: Nový hnací řemen se použitím prodlužuje. Seříďte hnací řemen znovu po několika hodinách provozu.

- Připevňte kryt řemene.
- Použijte výrobek a ujistěte se, že je hnací řemen správně instalován a seřízen.

Výměna a seřízení prostředního řemene

- Odmontujte nůž.

Povšimněte si: Tento krok není nezbytný, pokud seřizujete pouze prostřední řemen.

- Povolte seřizovací šrouby o několik otáček, ale nevyšroubujte je zcela. (Obr. 31)
- Vyměňte prostřední řemen a středně utáhněte seřizovací šrouby.

Povšimněte si: Tento krok není nezbytný, pokud seřizujete pouze prostřední řemen.

- Pohybem ozubeného kolečka dopředu nebo dozadu seříďte prostřední řemen. (Obr. 32)
- Pomocí hákové váhy zkontrolujte napnutí prostředního řemenu. Řemen je správně napnutý, pokud se může pohybovat v rozsahu 6–10 mm ve středu. To se rovná vytažení hmotnosti 3 kg. (Obr. 33)
- Zcela dotáhněte seřizovací šrouby utahovacím momentem 3 Nm.
- Použijte výrobek a ujistěte se, že je hnací řemen správně instalován a seřízen.

Kontrola žacího ústrojí



VÝSTRAHA: Aby se zabránilo náhodnému spuštění, odpojte kabel zapalování od zapalovací svíčky.



VÝSTRAHA: Při provádění údržby žacího ústrojí používejte ochranné rukavice. Nůž je velmi ostrý a může snadno dojít k poškození.

- Zkontrolujte žací ústrojí ohledně poškození a prasklin. Poškozené žací ústrojí vždy vyměňte.
- Prohlédněte nůž a zkontrolujte, zda není poškozený nebo tupý.

Povšimněte si: Po ostření je nezbytné nůž vyvážit. Výměnu, ostření a vyvážení nože svěřte servisnímu středisku. Dojde-li k nárazu do překážky, po kterém dochází k vypínání výrobku, vyměňte poškozený nůž. O tom, zda je možné nůž nabrousit či zda je nutné ho vyměnit, rozhodne servisní středisko.

Postup výměny nože

- Zajistěte nůž pomocí dřevěného špalíku. (Obr. 34)
- Odmontujte šroub nože, pružnou podložku a nůž. (Obr. 35)
- Zkontrolujte, zda nejsou unášec nože a šroub nože poškozené.
 - Při výměně nože nebo unášče nože rovněž vyměňte šroub nože, pružnou podložku a třecí podložku.
- Prohlédněte hřídel motoru a ujistěte se, zda není ohnutý.
- Při montáži nového nože se ujistěte, že jsou konce nože zahnuté ve směru krytu žacího ústrojí. (Obr. 36)
- Nasadte třecí podložku a nůž na unášec nože. (Obr. 37)
- Zkontrolujte, zda je nůž zarovnaný se středem hřídele. (Obr. 38)
- Zajistěte nůž pomocí dřevěného špalíku. (Obr. 39)
- Nasadte pružnou podložku a dotáhněte šroub utahovacím momentem 80 Nm. (Obr. 40)
- Otočte nožem rukou a zkontrolujte, zda se volně otáčí.



VÝSTRAHA: Použijte ochranné rukavice. Nůž je velmi ostrý a může snadno dojít k poškození.

- Nastartujte výrobek a proveďte test nože. Pokud není nůž správně připevněn, výrobek vibruje a výsledky sečení nejsou uspokojivé.

Kontrola hladiny oleje



VAROVÁNÍ: Příliš nízká hladina oleje může způsobit poškození motoru. Před spuštěním výrobku zkontrolujte hladinu oleje.

- Umístěte výrobek na rovnou plochu.
- Zavřete ventil přívodu paliva.
- Sejměte víčko olejové nádrže s olejovou měrkou.
- Setřete olej z olejové měrky.
- Vložte olejovou měrku do olejové nádrže, ale neutahujte víčko olejové nádrže.
- Vyměňte olejovou měrku.
- Zkontrolujte hladinu oleje na olejové měrce.

8. Pokud je hladina nízká, doplňte motorový olej a znovu zkontrolujte hladinu oleje. Hladina oleje je správná, pokud je na horní značce olejové měrky.

Výměna motorového oleje



VÝSTRAHA: Motorový olej je bezprostředně po vypnutí motoru velmi horký. Před vypuštěním nechte motorový olej vychladnout. Pokud si potřísníte pokožku motorovým olejem, omyjte ji mýdlem a vodou.

1. Nechte výrobek běžet, dokud nebude palivová nádrž prázdná.
2. Odmontujte kabel zapalování od zapalovací svíčky.
3. Sejměte víčko olejové nádrže.
4. Umístěte nádobu pod výrobek tak, aby do něj mohl vytéct motorový olej.
5. Nakloňte výrobek, aby se vypustil olej z olejové nádrže.
6. Doplňte nový motorový olej typu doporučeného v části *Technické údaje na strani 41*.
7. Zkontrolujte hladinu oleje. Další informace naleznete v části *Kontrola hladiny oleje na strani 39*.

Čištění vzduchového filtru



VAROVÁNÍ: Nepoužívejte motor bez namontovaného vzduchového filtru nebo se znečištěným vzduchovým filtrem.



VAROVÁNÍ: Pokud nelze vzduchový filtr zcela vyčistit nebo je poškozený, vyměňte jej. Vadný vzduchový filtr může způsobit poškození motoru.

1. Stiskněte úchytky západky (A), demontujte kryt vzduchového filtru (B) a vyjměte vzduchový filtr (C). (Obr. 41)
2. Poklepejte vzduchovým filtrem o tvrdý povrch nebo jej profukněte stlačeným vzduchem z čisté strany vzduchového filtru.



VAROVÁNÍ: K odstranění nečistot nepoužívejte kartáč, protože tak se špína zatlačí do vzduchového filtru.

3. Očistěte držák vzduchového filtru (D) a kryt vzduchového filtru pomocí vlhké látky.



VAROVÁNÍ: Zajistěte, aby se od vzduchového kanálu (E) nedostaly nečistoty.

4. Namontujte vzduchový filtr. Zkontrolujte, zda vzduchový filtr dokonale těsní proti držáku vzduchového filtru.
5. Namontujte kryt vzduchového filtru spodními úchytkami napřed.

Kontrola zapalovací svíčky



VAROVÁNÍ: Vždy používejte doporučený typ zapalovacích svíček. Nesprávný typ zapalovací svíčky může způsobit poškození výrobku.

- Zkontrolujte zapalovací svíčku, pokud má motor malý výkon, špatně startuje nebo nefunguje správně ve volnoběžných otáčkách.
- Aby se snížilo nebezpečí přítomnosti nechtěných materiálů na elektrodách zapalovací svíčky, dodržujte tyto pokyny:
 - a) Zkontrolujte, zda jsou správně nastaveny volnoběžné otáčky.
 - b) Zkontrolujte správnost palivové směsi.
 - c) Zkontrolujte, zda je vzduchový filtr čistý.
- Jestliže je zapalovací svíčka znečištěná, vyčistěte ji a zkontrolujte, zda je vzdálenost elektrod zapalovací svíčky správná, viz část *Technické údaje na strani 41*. (Obr. 42)
- V případě potřeby zapalovací svíčku vyměňte.

Kontrola palivového systému

- Prohlédněte víčko palivové nádrže a těsnění víčka a ujistěte se, že nejsou poškozené.
- Prohlédněte hadici přívodu paliva a ujistěte se, že nedochází k úniku. Pokud je hadice přívodu paliva poškozená, požádejte servisního pracovníka o výměnu.

Seřízení lanka spojky

Pokud je pojezd pomalý, je nezbytné seřídit lanko spojky.

- Otočte seřizovacím šroubem. (Obr. 43)

Lanko spojky je správně seřízené, pokud je držák lanka spojky zarovnaný s maticí.

(Obr. 44)

Přeprava, skladování a likvidace

Přeprava a skladování

- Před uskladněním a přepravou výrobku či paliva zkontrolujte, zda nejsou přítomny známky úniku

nebo výparů. Jiskry a otevřený oheň, například z elektrických zařízení nebo kotlů, mohou zažehnout požár.

- Vždy použijte schválené nádoby na skladování a přepravu paliva.
- Před dlouhodobým skladováním výrobku vyprázdněte palivovou nádrž. Odevzdejte palivo na příslušném sběrném místě
- Během přepravy musí být výrobek bezpečně upevněn, aby se zabránilo jeho poškození a nehodám.
- Skladujte výrobek na uzamčeném místě, aby se zamezilo přístupům dětí a neoprávněných osob.
- Uchovávejte výrobek na suchém a bezprašném místě.

Likvidace

- Dodržujte místní požadavky ohledně recyklace a platné předpisy.
- Odevzdejte všechny chemikálie, například motorový olej nebo palivo, v servisním středisku nebo na příslušném sběrném místě.
- Nehodláte-li výrobek dále používat, odešlete jej prodejci Husqvarna nebo jej dopravte do recyklační stanice.

Technické údaje

Technické údaje

	KLIPPO LB 448S	KLIPPO LB 453S	KLIPPO LB 548S e
Motor			
Značka	Honda	Honda	Honda
Zdvihový objem, cm ³	145	166	166
Rychlost, ot/min	2900	2900	2900
Jmenovitý výkon motoru, kW ¹¹	2,7	3,3	3,3
Systém zapalování			
Zapalovací svíčka	NGK BPR5ES	NGK BPR5ES	NGK BPR5ES
Vzdálenost elektrod, mm	0,7–0,8	0,7–0,8	0,7–0,8
Systém mazání a palivový systém			
Objem palivové nádrže, l	0,9	0,9	0,9
Objem olejové nádrže, litry	0,55	0,5	0,55
Motorový olej ¹²	SAE 10W-30	SAE 10W-30	SAE 10W-30
Hmotnost			
S prázdnými nádržemi, kg	30,5	33	32,5
Emise hluku ¹³			
Hladina akustického výkonu, změřená dB (A)	90	91	90
Hladina akustického výkonu, zaručená L _{WA} dB (A)	91	94	91

¹¹ Uvedený jmenovitý výkon motoru je průměrný čistý výkon (při specifikovaných ot./min.) typického motoru pro model motoru měřený podle normy SAE J1349/ISO1585. Sériové vyráběné motory se od této hodnoty mohou lišit. Skutečný výstupní výkon motoru instalovaného na konečném výrobku závisí na provozních otáčkách, povětrnostních podmínkách a dalších hodnotách.

¹² Použijte pouze motorový olej kvality SG–SH. Podívejte se do tabulky viskozity v návodu výrobce motoru a vyberte nejlepší viskozitu podle předpokládané venkovní teploty.

¹³ Emise hluku v životním prostředí měřené jako akustický výkon (L_{WA}) v souladu se směnicí 2000/14/ES.

	KLIPPO LB 448S	KLIPPO LB 453S	KLIPPO LB 548S e
Hladina hluku ¹⁴			
Hladina akustického tlaku na sluch obsluhy, dB (A)	77	78	78
Úrovně vibrací, a_{hveq} ¹⁵			
Rukojeť, m/s^2	4,5	5,3	4,8
Řezací zařízení			
Výška sečení, mm	30–60	30–60	30–60
Šířka sečení, mm	480	530	480
Žací nůž	Mulčovací – 48 cm 5028813-10	Mulčovací – 53 cm 5028814-10	Mulčovací – 48 cm 5028813-10
Pohon			
Rychlost, km/h	4,5	4,5	4,5

¹⁴ Hladina akustického tlaku měřená podle normy ISO 5395. Uváděná data pro hladinu tlaku zvuku mají typickou statistickou odchylku (standardní odchylku) 1,2 dB (A).

¹⁵ Hladina vibrací měřená podle normy ISO 5395. Uváděná data o úrovni vibrací mají typickou statistickou odchylku (standardní odchylku) 0,2 m/s^2 .

ES Prohlášení o shodě

ES Prohlášení o shodě

Husqvarna AB, SE-561 82 Huskvarna, Švédsko, tel:
+46-36-146500, prohlašuje, že **sekačky na trávu**
Husqvarna KLIPPO LB 448S, KLIPPO LB 453S,
KLIPPO LB 548S e s výrobními čísly 2020xxxxxxx
a vyššími splňují požadavky SMĚRNICE RADY:

- ze 17. května 2006 „týkající se strojních zařízení“
2006/42/ES
- z 26. února 2014 „týkající se elektromagnetické
kompatibility“ **2014/30/EU**,
- z 8. května 2000 „týkající se emisí hluku v okolním
prostředí“ **2000/14/ES**.
- z 8. června 2011 „o omezení používání některých
nebezpečných látek v elektrických a elektronických
zařízeních“ **2011/65/EU**

Informace o emisích hluku najdete v kapitole "Technické údaje".

Byly uplatněny následující normy:

EN ISO 5395-1, EN ISO 5395-2, EN ISO 5395-2 Amd1,
EN ISO 5395-2 Amd 2, EN 55012, EN 50581:2012

Není-li uvedeno jinak, platí výše uvedené normy
v poslední vydané verzi.

Oznámený subjekt: **0404, RISE SMP Svensk**
Maskinprovning AB, Box 7035, SE-750 07 Uppsala
vydal zprávy týkající se vyhodnocení shody podle
dotatku VI ke Směrnici rady z 8. května 2000 „týkající
se emisí hluku do okolního prostředí“ 2000/14/ES.

Huskvarna, 2020-09-16



Claes Losdal, Development Manager/Garden Products
(ředitel vývoje zahradního sortimentu) (Autorizovaný
zástupce společnosti Husqvarna AB a osoba odpovědná
za technickou dokumentaci.)

Indhold

Indledning.....	44	Vedligeholdelse.....	49
Sikkerhed.....	45	Transport, opbevaring og bortskaffelse.....	52
Montering.....	48	Tekniske data.....	53
Drift.....	48	EU-overensstemmelseserklæring.....	55

Indledning

Produktbeskrivelse

Produktet er en roterende plæneklipper med gående fører, der anvender BioClip® til at klippe græsset til gødning.

Produktoversigt

(Fig. 1)

1. Håndtag / styrestang
2. Motorbremsehåndtag
3. Styrehåndtag
4. Startsnorens håndgreb
5. Olieåbning
6. Remafskærmning
7. Lyddæmper
8. Tændrør
9. Remafskærmning
10. Brændstoftank
11. Håndtag til vinkeljustering af håndtaget
12. Vibrationsdæmpningssystem
13. Justering af koblingskabel
14. Nederste håndtag
15. Klippehøjdehåndtag
16. Benziventil
17. Luftfilter
18. Klippeskjold
19. Fjederskive
20. Klingebolt
21. Kniv
22. Klingeholder
23. Findelingsblænde (KLIPPO LB 448S, KLIPPO LB 548S e)
24. Brugsanvisning

Symboler på produktet

(Fig. 2) **ADVARSEL:** Skødesløs eller forkert brug kan medføre personskaade eller dødsfald for føreren eller andre.

(Fig. 3) Læs brugsanvisningen omhyggeligt igennem, og sørg for at have forstået instruktionerne, inden du bruger produktet.

Anvendelsesformål

Brug produktet til at slå græs. Brug ikke produktet til andre opgaver.

(Fig. 4) Pas på udslyngede genstande og rikocheering.

(Fig. 5) Hold uvedkommende personer og dyr på sikker afstand af arbejdsstedet.

(Fig. 6) Stands motoren, og fjern tændingskablet, før der udføres reparationer eller vedligeholdelsesarbejde.

(Fig. 7) **Advarsel:** Hold hænder og fødder på sikker afstand af bevægelige dele.

(Fig. 8) **Advarsel:** Hold hænder og fødder på sikker afstand af den roterende klinge.

(Fig. 9) Dette produkt er i overensstemmelse med gældende EF-direktiv.

(Fig. 10) Emission af støj til omgivelserne i henhold til EU-direktiv 2000/14/EF og New South Wales' lovgivning om "Beskyttelse af miljøet (støjbegrensning) forordning 2017". Data om emission af støj findes på maskinens mærkat og i kapitlet Tekniske data.

(Fig. 11) Kode, der kan scannes.

Bemærk: Andre symboler/mærkater på produktet henviser til certificeringskrav i visse handelsområder.

Mærkat på produktet, kun for Australien og New Zealand

(Fig. 12)

Hold hænder og fødder på sikker afstand af den roterende klinge.

Euro V-emissioner



ADVARSEL: Ved manipulation af motoren bortfalder EU-typegodkendelsen af dette produkt.

Produktansvar

Som nævnt i produktansvarsbestemmelserne hæfter vi ikke for skader forårsaget af vores produkt, hvis:

- produktet er forkert repareret.
- produktet er repareret med dele, der ikke er fra producenten eller ikke er godkendt af producenten
- produktet har tilbehør, der ikke er fra producenten eller ikke er godkendt af producenten.
- produktet ikke er repareret på et godkendt servicecenter eller af en godkendt myndighed.

Sikkerhed

Sikkerhedsdefinitioner

Advarsler, forholdsregler og bemærkninger bruges til at pege på særligt vigtige dele af brugsanvisningen.



ADVARSEL: Bruges, hvis føreren udsætter sig selv eller omkringstående personer for risiko for personskade eller dødsfald ved tilsidesættelse af instruktionerne i brugsanvisningen.



BEMÆRK: Bruges, hvis der er risiko for skader på produktet, andre materialer eller det omgivende område ved tilsidesættelse af instruktionerne i brugsanvisningen.

Bemærk: Bruges til at give yderligere oplysninger, der er nødvendige i en given situation.

Generelle sikkerhedsinstruktioner



ADVARSEL: Læs følgende advarselsinstruktioner, inden du bruger produktet.

- Dette produkt er farligt, hvis det bruges forkert, eller hvis du ikke er forsigtig. Personskade eller dødsfald kan forekomme, hvis du ikke overholder sikkerhedsinstruktionerne.
- Dette produkt danner et elektromagnetisk felt under drift. Dette felt kan i nogle tilfælde påvirke aktive eller passive medicinske implantater. For at reducere risikoen for alvorlige eller dødbringende kvæstelser anbefaler vi, at personer med medicinske implantater kontakter deres læge og producenten af det medicinske implantat, før de tager produktet i brug.
- Vær altid forsigtig, og brug din sunde fornuft. Hvis du ikke er sikker på, hvordan produktet betjenes en særlig situation: Stop, og kontakt Husqvarna forhandleren, inden du fortsætter.

- Vær opmærksom på, at føreren er ansvarlig for ulykker, der involverer andre personer eller disses ejendom.
- Hold produktet rent. Sørg for, at skilte og mærkater er tydeligt læsbare.
- Lad ikke en person bruge produktet, medmindre du er sikker på, at vedkommende har læst og forstået indholdet i denne brugsanvisning.
- Lad ikke børn betjene produktet.
- Hold børn væk fra arbejdsområdet. En voksen skal være til stede hele tiden.
- Lad ikke en person uden kendskab til vejledningen betjene produktet.
- Hold altid øje med personer med nedsat fysisk eller mental kapacitet, der bruger produktet. En voksen skal være til stede hele tiden.
- Brug ikke produktet, hvis du er træt, syg eller påvirket af alkohol, narkotika eller medicin. Det har en negativ virkning på synet, overblikket, koordinationsevnen og dømmekraften.
- Brug ikke produktet, hvis det er fejlbehæftet.
- Foretag ikke ændringer på produktet, og undlad at bruge det, hvis der er risiko for, at det er blevet ændret af andre.
- Foretag ikke ændringer i justeringen af motoromdrejningsstyringen.

Sikkerhed i arbejdsområdet



ADVARSEL: Læs følgende advarselsinstruktioner, inden du bruger produktet.

- Fjern genstande såsom grene, kviste og sten fra arbejdsområdet, inden du bruger produktet.
- Genstande, som rammer skæreudstyret, kan udslynges og forårsage person- og tingskade. Hold omkringstående personer og dyr på sikker afstand af produktet.
- Undlad at bruge produktet i dårligt vejr, som f.eks. tåge, regn, hård vind, kraftig kulde og ved risiko for lynnedslag. Det kan være trættende at bruge produktet i dårligt vejr eller i fugtige eller våde

områder. Dårligt vejr kan medføre farlige forhold, f.eks. glatte underlag.

- Pas på personer, genstande og situationer, som kan forhindre sikker brug af produktet.
- Pas på forhindringer som f.eks. rødder, sten, kviste, huller og grøfter. Langt græs kan skjule hindringer.
- Det kan være farligt at klippe græs på skråninger. Brug ikke produktet på skråninger, der hælder mere end 15°.
- Lad produktet køre på tværs af skråninger. Kør ikke op og ned.
- Vær forsigtig, når du nærmer dig uoverskuelige hjørner og genstande, som blokerer for udsynet.

Arbejdssikkerhed



ADVARSEL: Læs følgende advarselsinstruktioner, inden du bruger produktet.

- Brug kun produktet til græsslåning. Det er ikke tilladt at bruge det til andre opgaver.
- Bær personligt beskyttelsesudstyr. Se *Personligt beskyttelsesudstyr på side 46*.
- Sørg for, at du ved, hvordan du standser motoren hurtigt i nødstilfælde.
- Start aldrig motoren i et lukket rum eller i nærheden af brandfarlige materialer. Motorens udstødningsgasser er varme og kan indeholde gnister, som kan forårsage brand.
- Betjen ikke produktet, medmindre klingens og alle afskærmninger er monteret korrekt. En forkert monteret klinge kan løsne sig og forårsage personskade.
- Sørg for, at klingens rammer ikke rammer genstande som f.eks. sten og rødder. Det kan beskadige kniven og bøje motoraksel. En bøjet aksel giver kraftige vibrationer og stor risiko for, at kniven løsner sig.
- Hvis kniven rammer en genstand, eller der opstår vibrationer, skal du straks standse produktet. Tag tændkablet af tændrøret. Undersøg, om produktet er blevet beskadiget. Reparer skader, eller lad et autoriseret serviceværksted udføre reparationen.
- Fastgør aldrig motorbremsehåndtaget permanent på styret, når motoren er startet.
- Anbring produktet på et stabilt, fladt underlag, og start det. Sørg for, at kniven ikke rammer jorden eller andre genstande.
- Hold dig altid bag produktet, mens du betjener det.
- Lad alle hjulene blive på jorden, og hold 2 hænder på styret, når du betjener produktet. Hold hænder og fødder på sikker afstand af de roterende klinger.
- Tip ikke produktet, når motoren er startet.
- Vær forsigtig, når du trækker produktet baglæns.
- Løft aldrig produktet, når motoren er startet. Hvis du skal løfte produktet, skal du først standse motoren og frakoble tændkablet fra tændrøret.
- Gå ikke baglæns, når du bruger produktet.

- Stands motoren, når du bevæger dig hen over områder uden græs, f.eks. stier med grus, sten og asfalt.
- Undlad at køre med produktet, når motoren er startet. Gå altid fremad, når du bruger produktet.
- Stands motoren, inden du ændrer klippehøjden. Foretag aldrig justeringer, når motoren er startet.
- Efterlad aldrig produktet uden opsyn, når motoren er startet. Stands motoren, og sørg for, at skæreudstyret ikke roterer.

Sikkerhedsinstruktioner for drift

Personligt beskyttelsesudstyr



ADVARSEL: Læs følgende advarselsinstruktioner, inden du bruger produktet.

- Personligt beskyttelsesudstyr udelukker ikke fuldstændigt risikoen for personskader, men det mindsker graden af skaderne i tilfælde af, at der skulle ske en ulykke. Lad forhandleren hjælpe dig med at vælge det rigtige udstyr.
- Brug høreværn, hvis støjniveauet er højere end 85 dB.
- Brug kraftige, skridsikre støvler eller sko. Brug ikke åbne sko, og gå heller ikke på bare fødder.
- Brug kraftige, lange bukser.
- Brug om nødvendigt beskyttelseshandsker, f.eks. ved montering, eftersyn eller rengøring af skæreudstyret.

Sikkerhedsanordninger på produktet



ADVARSEL: Læs følgende advarselsinstruktioner, inden du bruger produktet.

- Brug ikke et produkt med defekte sikkerhedsanordninger.
- Kontrollér sikkerhedsanordningerne regelmæssigt. Hvis sikkerhedsanordningerne er defekte, skal du henvende dig til dit Husqvarna-serviceværksted.

Sådan kontrolleres klippeskjoldet

Klippeskjoldet mindsker vibrationer i produktet og reducerer risikoen for skader fra klingens.

- Undersøg klippeskjoldet fra at sikre, at der ikke er skader såsom revner.

Sådan kontrolleres remafskærmningen

Remafskærmningen mindsker risikoen for skader og sikrer, at en ødelagt drivrem ikke skydes ud.

- Sørg for, at remafskærmningen ikke er beskadiget, og at den sidder korrekt. (Fig. 13)

Sådan kontrolleres remafskærmningen

Remafskærmningen mindsker risikoen for skader og sikrer, at en ødelagt drivrem ikke skydes ud.

- Sørg for, at remafskærmningen ikke er beskadiget, og at den sidder korrekt. (Fig. 14)

Motorbremsehåndtag

Motorbremsehåndtaget standser motoren. Når motorbremsehåndtaget slippes, standser motoren.

Ved eftersyn af motorbremsen, startes motoren, hvorefter motorbremsehåndtaget slippes. Hvis motoren ikke standser inden for 3 sekunder, skal et godkendt Husqvarna serviceværksted justere motorbremsen.

(Fig. 15)

Sådan kontrolleres vibrationsdæmpningssystemet



ADVARSEL: Overeksponering for vibrationer kan forårsage kredsløbsforstyrrelser og skader på nervesystemet hos personer med nedsat kredsløb. Hvis du oplever symptomer, som kan relateres til overeksponering af vibrationer, skal du søge læge. Eksempler på sådanne symptomer er: følelseløshed, mangel på følesans, "kildren", "stikken", smerte, manglende eller reduceret styrke, forandringer i hudens farve eller i dens overflade. Disse symptomer opstår almindeligvis i fingre, hænder og håndled.

Vibrationsdæmpningssystemet reducerer vibrationer i håndtaget under drift.

Stålrøret i styret og klippeskjoldet mindsker vibrationer. KLIPPO LB 548S e-modellen har også 4 vibrationsdæmpningsenheder fastgjort til styret.

- Undersøg styret og vibrationsdæmpningsenhederne for at sikre, at de ikke er beskadigede. (Fig. 16)

Klingeholder

Klingeophænget mindsker risikoen for, at motorakslen bøjer. Hvis klingen rammer en genstand, bevæger klingens sig mod klingeophænget. Bevægelsen forårsager slid på overfladen af klingeophænget. Sliddet viser, at beskyttelsen af motorakslen fungerer korrekt.

Lyddæmper

Lyddæmperen sikrer et minimalt støjniveau og sender udstødningsgasserne væk fra føreren.

Brug ikke produktet, hvis lyddæmperen mangler eller er defekt. En defekt lyddæmper øger støjniveauet og risikoen for brand.



ADVARSEL: Lyddæmperen bliver meget varm under og efter brug, og når motoren kører i tomgang. Vær forsigtig i nærheden af brandfarlige materialer og/eller dampe for at forhindre brand.

Sådan kontrolleres lyddæmperen

- Eftersø lyddæmperen regelmæssigt for at sikre, at den er monteret korrekt og ikke er beskadiget.

Brændstofsikkerhed



ADVARSEL: Læs følgende advarelsinstruktioner, inden du bruger produktet.

- Start ikke produktet, hvis der er brændstof eller motorolie på produktet. Fjern uønsket brændstof/olie og lad produktet tørre.
- Hvis du får brændstof på dit tøj, skal du skifte tøj med det samme.
- Undgå at få brændstof på kroppen, da det kan forårsage personskader. Hvis du får brændstof på kroppen, skal du bruge sæbe og vand til at fjerne brændstoffet.
- Start ikke produktet, hvis motoren lækker. Undersøg regelmæssigt motoren for lækager.
- Vær forsigtig med brændstof. Brændstof er letantændeligt og dampe er eksplosive og kan medføre personskader eller dødsfald.
- Undgå at indånde brændstoffdampene, da det kan forårsage personskader. Sørg for, at der er tilstrækkelig luftstrøm.
- Ryg ikke i nærheden af brændstof eller motor.
- Anbring ikke varme genstande i nærheden af brændstof eller motor.
- Fyld ikke brændstof på, når motoren er tændt.
- Sørg for, at motoren er afkølet, inden du fylder brændstof på.
- Før du fylder brændstof på, skal du åbne brændstofftankens dæksel langsomt og forsigtigt udløse trykket.
- Fyld ikke brændstof på motoren i et indendørs område. Utilstrækkelig med luftstrøm kan forårsage personskader eller dødsfald på grund af kvælning eller kulilte.
- Spænd brændstofftankens dæksel helt. Hvis brændstofftankens dæksel ikke spændes, opstår der risiko for brand.
- Flyt produktet minimum 3 m / 10 ft fra det sted, hvor du fyldte tanken, før du starter det.
- Fyld aldrig brændstofftanken helt op. Varme får brændstoffet til at udvide sig. Sørg for at bevare ledig plads øverst i brændstofftanken.

Sikkerhedsinstruktioner for vedligeholdelse



ADVARSEL: Læs følgende advarselsinstruktioner, inden du bruger produktet.

- Udstødningsgasserne fra motoren indeholder kulilte, som er en lugtfri, giftig og meget farlig gasart. Undlad at starte motoren indendørs eller i lukkede rum.
- Før der udføres vedligeholdelse af produktet, standses motoren, og tændkablet tages af tændrøret.
- Brug handsker, når du udfører vedligeholdelse på skæreudstyret. Klinge er meget skarpe, og du kan nemt komme til at skære dig.

- Tilbehør til og ændringer på produktet, som ikke er godkendt af producenten, kan medføre alvorlig personskade eller dødsfald. Undlad at ændre produktet. Brug altid reservedele, der er godkendt af producenten.
- Hvis vedligeholdelsen ikke udføres korrekt og regelmæssigt, øges risikoen for personskade og beskadigelse af produktet.
- Foretag kun den form for vedligeholdelse, der er angivet i denne instruktionsbog. Eventuel anden service skal udføres af et godkendt Husqvarna serviceværksted.
- Lad et godkendt Husqvarna serviceværksted foretage regelmæssig service af produktet.
- Udskift beskadigede, slidte eller defekte dele.

Montering

Indledning



ADVARSEL: Inden brug af produktet skal du læse og forstå kapitlet om sikkerhed.



ADVARSEL: Fjern tændrørskablet fra tændrøret inden samling af produktet.

Sådan monteres og justeres håndtaget

1. Fjern håndtagmøtrikken og skiven fra pladen på det øverste håndtag.
2. Sæt det øvre håndtag på plads oven på det nederste håndtag.

3. Fastgør skiven og håndtagmøtrikken. (Fig. 17)
4. Drej håndtaget til side for at få en god betjeningsposition, når du bruger produktet i nærheden af en væg. (Fig. 18)
5. Drej reguleringshjule på chassiset for at justere håndtaget lodret. (Fig. 19)

Sådan samles bioklipproppen KLIPPO LB 448S, KLIPPO LB 548S e

1. Vip produktet bagud med tændhætten opad.
2. Sæt stifterne på bioklipproppen i hullerne fra den indvendige side af klippeskjoldet. (Fig. 20)
3. Fastgør skruerne til bioklipproppen fra den udvendige side af klippeskjoldet. (Fig. 21)



BEMÆRK: Sørg for, at kablerne ikke kommer i klemme eller bliver beskadiget.

Drift

Indledning



ADVARSEL: Før du bruger produktet, skal du læse og forstå kapitlet om sikkerhed.

Husqvarna Connect

Husqvarna Connect er en gratis app til din mobile enhed. Appen Husqvarna Connect giver udvidede funktioner til dit Husqvarna produkt:

- Yderligere produktoplysninger.
- Oplysninger om, og hjælp til, dele og service.

Sådan kommer du i gang med at bruge Husqvarna Connect

1. Download Husqvarna Connect appen på din mobile enhed.
2. Tilmeld dig i Husqvarna Connect appen.
3. Følg instruktionerne i Husqvarna Connect appen for at tilslutte og registrere produktet.

Før du bruger produktet

1. Læs brugsanvisningen omhyggeligt igennem, og sørg for at have forstået instruktionerne.

2. Undersøg skæredstyret for at sikre, at det er korrekt monteret og justeret. Se *Sådan efterses skæredstyret på side 51*.
3. Fyld brændstoftanken. Se *Sådan påfyldes brændstof på side 49*.
4. Fyld olietanken, og efterse oliestanden. Se *Sådan kontrolleres oliestanden på side 51*.

Sådan påfyldes brændstof

Brug om muligt miljø-/alkylatbenzin. Hvis du ikke har mulighed for at bruge miljø-/alkylatbenzin, anvendes en blyfri benzin af god kvalitet eller blyholdig benzin med et oktantal ikke under 90.



BEMÆRK: Brug ikke benzin med et oktantal mindre end 90 RON (87 AKI). Det kan forårsage skader på produktet.

1. Åbn brændstoftankens dæksel langsomt for at aflaste trykket.
2. Påfyld brændstof langsomt med en benzindunk. Hvis du spilder brændstof, fjernes det med en klud, og lad resterende brændstof fordampe.
3. Rengør omkring brændstoftankens dæksel.
4. Spænd brændstoftankens dæksel helt. Hvis brændstoftankens dæksel ikke spændes, opstår der risiko for brand.
5. Flyt produktet minimum 3 m fra det sted, hvor du fyldte tanken, før du starter det.

Sådan indstilles klippehøjden

Klippehøjden kan justeres i 6 niveauer.

1. Flyt klippehøjdehåndtaget fremad for at øge klippehøjden.
2. Flyt klippehøjdehåndtaget bagud for at mindske klippehøjden.



BEMÆRK: Indstil ikke klippehøjden for lavt. Knivene kan ramme jorden, hvis græsplænenes overflade ikke er jævn.

Sådan startes produktet

1. Kontroller, at tændkablet er tilsluttet til tændrøret.
2. Åbn benzinventil. (Fig. 22)

3. Stil dig bag produktet.
4. Hold motorbremsehåndtaget ind mod styret. (Fig. 23)
5. Hold fast i startsnorens håndgreb med højre hånd.
6. Træk langsomt startsnoren ud, indtil der føles modstand.
7. Træk kraftigt, indtil motoren starter.



ADVARSEL: Vikl aldrig startsnoren rundt om hånden.



BEMÆRK: Stræk ikke startsnoren helt ud. Slip ikke startsnorens håndtag, når startsnoren trækkes ud.

Sådan bruges hjulenes fremtræk ()

- Skub styrehåndtaget ned. (Fig. 24)
- Før produktet trækkes baglæns, frakobles fremtrækket, og produktet skubbes fremad, cirka 10 cm.
- Slip motorbremsehåndtaget en smule for at frakoble drevet, f.eks. når du nærmer dig en forhindring.

Sådan standses produktet

- Slip motorbremsehåndtaget en smule for kun at stoppe drevet.
- Slip motorbremsehåndtaget for at standse motoren helt.
- Luk benzinventilen. (Fig. 25)

Sådan opnår du et godt resultat

- Sørg altid for, at klingene er skarpe. En sløv klinge giver et uregelmæssigt resultat, og græssets snitflade bliver gul. En skarp klinge bruger desuden mindre energi end en sløv klinge.
- Klip aldrig mere end 1/3 af græssets længde. Klip først med klippehøjden indstillet højt. Efterse resultatet, og sænk derefter klippehøjden til det ønskede niveau. Hvis græsset er meget højt, skal du køre langsomt og om nødvendigt klippe 2 gange.
- Klip i forskellige retninger hver gang for at undgå striber i græsplænen.

Vedligeholdelse

Indledning



ADVARSEL: Inden der foretages vedligeholdelse, skal du læse og forstå kapitlet om sikkerhed.

Alt service- og reparationsarbejde på produktet kræver specialuddannelse. Vi garanterer faglig korrekt reparation og service. Hvis forhandleren ikke er et serviceværksted, kan vedkommende oplyse om nærmeste serviceværksted.

Vedligeholdelseskema

Vedligeholdelsesintervallerne er fastlagt baseret på daglig brug af produktet. Intervallerne ændres, hvis produktet ikke bruges dagligt.

For vedligeholdelse identificeret med * henvises til vejledningen i *Sikkerhedsanordninger på produktet på side 46*.

Vedligeholdelse	Hver dag	Ugentligt	Månedligt
Foretag et generelt eftersyn	X		
Efterse oliestanden	X		
Rengør produktet	X		
Rens luftfiltret	X		
Efterse skæreudstyret	X		
Efterse klippeskjoldet*	X		
Efterse motorbremsehåndtaget*	X		
Efterse lyddæmperen*		X	
Efterse tændrøret		X	
Efterse drivremmen for skader			X
Rengør gearhuset			X
Skift olie (første gang efter 5 timers brug, derefter efter hver 25 timers brug og årligt)			X
Udskift luftfilteret			X
Efterse brændstofsystemet			X
Efterse og justér drevet (koblingskablet)			X

Sådan udføres et generelt eftersyn

- Sørg for, at alle møtrikker og skruer på produktet er spændt korrekt.

Sådan rengøres produktet udvendigt

- Brug en børste til at fjerne blade, græs og snavs.
- Sørg for, at luftindtaget oven på motoren ikke er blokeret.
- Brug ikke en højtryksrensers til at rengøre produktet.
- Hvis du bruger vand til at rengøre produktet, må vandet ikke sprøjtes direkte på motoren.

Sådan rengøres indersiden af klippeskjoldet

1. Placer produktet på siden med lyddæmperen nedad.



BEMÆRK: Hvis produktet anbringes med luftfiltret nedad, kan motoren tage skade.

2. Spul indersiden af klippeskjoldet med vand.

Sådan undersøges drivremmen og rengøres gearhuset

1. Fjern de 4 skruer på remafskærmningen, og afmonter remafskærmningen. (Fig. 26)
2. Kontrollér drivremmen og remskiven for skader.
3. Brug en børste til at fjerne blade, græs og snavs fra gearhuset. (Fig. 27)

Sådan udskiftes og justeres drivremmen

1. Fjern de 4 skruer på remafskærmningen, og afmonter remafskærmningen. (Fig. 26)
2. Sæt en flad skruetrækker mellem navkapslen og hjulet på produktets højre forhjul.
3. Drej skruetrækkeren forsigtigt, og tag navkapslen af.
4. Skru hjulbolten ud, og afmonter hjulet. (Fig. 28)
5. Tag drivremmen af remskiverne.
6. Kontrollér, at remskiverne nemt kan bevæge sig på akslen.
7. Hvis det er nødvendigt, skal du spraye rustløsende olie mellem og bag remskiverne samt smøre akslen.

- Påmonter en ny drivrem, og fastgør den korrekt til kuglelejet, før du justerer drivremmen. (Fig. 29)
- Flyt kuglelejet op eller ned for at justere drivremmen. (Fig. 30)

Bemærk: En ny drivrem bliver længere efter brug. Juster drivremmen igen efter nogle timers drift.

- Fastgør remafskærmningen.
- Betjen produktet for at sikre, at drivremmen er korrekt monteret og justeret.

Sådan udskiftes og justeres midterremmen

- Afmonter klingene.

Bemærk: Dette trin er ikke nødvendigt, hvis du kun justerer midterremmen.

- Løsn justeringsskruerne nogle omgange, men tag dem ikke af. (Fig. 31)
- Udskift midterremmen, og stram justeringsskruerne let.

Bemærk: Dette trin er ikke nødvendigt, hvis du kun justerer midterremmen.

- Flyt gearet frem eller tilbage for at justere midterremmen. (Fig. 32)
- Brug en krogvægt til at undersøge spændingen i midterremmen. Remmen har den korrekte spænding, når den kan bevæges 6-10 mm i midten. Det svarer til et træk på 3 kg. (Fig. 33)
- Spænd justeringsskruerne med et tilspændingsmoment på 3 Nm.
- Betjen produktet for at sikre, at drivremmen er korrekt monteret og justeret.

Sådan efterses skæreudstyret



ADVARSEL: Tændkablet tages af tændrøret for at undgå utilsigtet start af motoren.



ADVARSEL: Brug handsker, når du udfører vedligeholdelse på skæreudstyret. Klingene er meget skarpe, og du kan nemt komme til at skære dig.

- Efterse skæreudstyret for skader eller revner. Udskift altid skæreudstyret, hvis det er beskadiget.
- Kig på klingene for at se, om den er beskadiget eller sløv.

Bemærk: Kniven skal afbalanceres, efter den er blevet slebet. Lad et servicecenter skærpe, udskift og afbalancere klingene. Hvis du rammer en forhindring, der

får produktet til at standse, udskiftes den beskadigede klinge. Lad servicecenteret vurdere, om klingene kan files, eller om den skal udskiftes.

Sådan udskiftes klingene

- Lås klingene med en træklods. (Fig. 34)
- Fjern klingeboltene, fjederskiven og klingene. (Fig. 35)
- Undersøg klingeophænget og klingeboltene for skader.
 - Hvis du udskifter klingene eller klingeophænget, skal du også udskifte klingeboltene, fjederskiven og friktionsskiven.
- Efterse motorakslen for at sikre, at den ikke er bøjet.
- Når du sætter den nye klinge på, skal du sørge for, at de bøjede ender peger i retning af klippeskjoldet. (Fig. 36)
- Sæt friktionsskiven og klingene mod klingeophænget. (Fig. 37)
- Sørg for, at klingene flugter med motorakslens centrum. (Fig. 38)
- Lås klingene med en træklods. (Fig. 39)
- Monter fjederskiven, og spænd boltene med et tilspændingsmoment på 80 Nm. (Fig. 40)
- Træk kniven rundt pr. håndkraft, og kontrollér, at den drejer frit.



ADVARSEL: Bær altid beskyttelseshandsker. Klingene er meget skarpe, og du kan nemt komme til at skære dig.

- Start produktet for at afprøve klingene. Hvis skiven ikke er korrekt fastgjort, forekommer der vibrationer i produktet, eller klipperesultatet bliver utilfredsstillende.

Sådan kontrolleres oliestanden



BEMÆRK: Hvis olieniveauet er for lavt, kan det medføre motorskader. Kontroller oliestanden, før du starter produktet.

- Anbring produktet på et plant underlag.
- Luk benzinventilen.
- Afmonter olietankens dæksel, hvorpå oliepippen sidder.
- Tør olien af oliepippen.
- Sæt oliepippen i oliebeholderen, men stram ikke olietankdækslet.
- Fjern oliepippen.
- Kontroller oliestanden på målepippen.
- Hvis oliestanden er lav, skal den efterfyldes med motorolie, og foretag derefter en kontrol af oliestanden igen. Oliestanden er korrekt, når den er ved det øverste mærke på oliepippen.

Sådan udskiftes motorolien



ADVARSEL: Motorolien er meget varm umiddelbart efter, at motoren er standset. Lad motoren køle af, før du aftapper motorolien. Hvis du spilder motorolie på huden, kan den fjernes med vand og sæbe.

1. Brug produktet, indtil brændstoftanken er tom.
2. Tag tændkablet af tændrøret.
3. Tag olietankens dæksel af.
4. Stil en beholder under produktet til at opsamle motorolien i.
5. Vip produkt for at aftappe motorolien fra olietanken.
6. Påfyld ny motorolie af den type, der anbefales i *Tekniske data på side 53*.
7. Kontroller oliestanden. Se *Sådan kontrolleres oliestanden på side 51*.

Rengøring af luftfilteret



BEMÆRK: Lad ikke motoren køre uden et monteret luftfilter eller med et beskadigt luftfilter.



BEMÆRK: Udskift luftfilteret, hvis det ikke bliver rent, eller hvis det er beskadiget. Et defekt luftfilter forårsager beskadigelse af motoren.

1. Tryk på låsetappene (A), fjern filterdækslet (B), og afmonter luftfilteret (C). (Fig. 41)
2. Slå luftfilteret mod en hård overflade, eller blæs trykluft gennem luftfilteret fra den rene side af luftfilteret.



BEMÆRK: Brug ikke en børste til at fjerne snavs, da der derved skubbes snavs ind i luftfilteret.

3. Rens luftfilterholderen (D) og filterdækslet med en fugtig klud.



BEMÆRK: Sørg for, at der ikke kommer snavs ind i luftkanalen (E).

4. Sæt luftfilteret i. Sørg for, at luftfilteret ligger helt tæt ind til luftfilterholderen.
5. Sæt luftfilterdækslet på igen med de nederste tappe først.

Sådan undersøger du tændrøret



BEMÆRK: Brug altid anbefalet tændrørstype. Forkert tændrørstype kan forårsage skader på produktet.

- Undersøg tændrøret, hvis motoren mangler kraft, ikke starter nemt eller ikke fungerer korrekt i tomgangshastighed.
- Sådan mindsker du risikoen for uønsket materiale på tændrørets elektroder, følg disse instruktioner:
 - a) Sørg for, at omdrejningstallet i tomgang er indstillet korrekt.
 - b) Sørg for, at brændstofblandingen er korrekt.
 - c) Sørg for, at luftfilteret er rent.
- Hvis tændrøret er beskadigt, skal det renses, og samtidig skal det kontrolleres, at elektrodeafstanden er korrekt, se *Tekniske data på side 53*. (Fig. 42)
- Udskift tændrøret, når det er nødvendigt.

Sådan undersøger du brændstofsyste

- Efterse brændstoftankens dæksel og pakningen til brændstoftankens dæksel for at sikre, at der ikke er nogen skader.
- Efterse brændstofslangen for at sikre, at der ikke er utætheder. Hvis brændstofslangen er beskadiget, skal du lade et serviceværksted skifte den.

Sådan justeres koblingskablet

Hvis drevet føles trægt, skal koblingskablet justeres.

- Skru justerskruen. (Fig. 43)

Koblingskablet er justeret korrekt, når koblingskablets beslag flugter med møtrikken.

(Fig. 44)

Transport, opbevaring og bortskaffelse

Transport og opbevaring

- Ved opbevaring og transport af produktet og brændstoffet, skal du sørge for, at der ikke er utætheder eller dampe. Gnister eller åben ild, f.eks. fra elektriske enheder eller kedler, kan starte en brand.

- Brug altid godkendte beholdere til opbevaring og transport af brændstof.
- Tøm brændstoftanken, inden du stiller produktet væk i en længere periode. Bortskaf brændstoffet på en lokal miljøstation
- Fastgør produktet sikkert under transport for at undgå skader og uheld.

- Opbevar produktet i et aflåst område utilgængeligt for børn eller personer, som ikke er godkendt.
 - Opbevar produktet på et tørt og frostfrit sted.
 - Bortskaf alle kemikalier, som f.eks. motorolie eller brændstof, hos et servicecenter eller på en lokal miljøstation.
 - Når produktet ikke længere er i brug, skal det sendes til en Husqvarna forhandler eller bortskaffes på en lokal genbrugsstation.
- Bortskaffelse**
- Overhold de lokale krav til genanvendelse og de gældende regler.

Tekniske data

Tekniske data

	KLIPPO LB 448S	KLIPPO LB 453S	KLIPPO LB 548S e
Motor			
Mærke	Honda	Honda	Honda
Slagvolumen, cm ³	145	166	166
Hastighed, o/min.	2900	2900	2900
Nominel motoreffekt, kW ¹⁶	2,7	3,3	3,3
Tændingssystem			
Tændrør	NGK BPR5ES	NGK BPR5ES	NGK BPR5ES
Elektrodeafstand, mm	0,7-0,8	0,7-0,8	0,7-0,8
Brændstof-/smøresystem			
Brændstoftankvolumen, liter	0,9	0,9	0,9
Olietankens kapacitet, liter	0,55	0,5	0,55
Motorolie ¹⁷	SAE 10W-30	SAE 10W-30	SAE 10W-30
Vægt			
Med tomme tanke, kg	30,5	33	32,5
Støjemissioner ¹⁸			
Lydeffektniveau, målt dB (A)	90	91	90
Lydeffektniveau, garanteret L _{WA} dB (A)	91	94	91
Lydniveauer ¹⁹			
Lydtryksniveau ved brugerens øre, dB (A)	77	78	78

¹⁶ Motorens effektangivelse er den gennemsnitlige nettoeffekt (ved det anførte omdrejningstal) for en typisk produktionsmodel af motoren målt iht. SAE-standarden J1349/ISO1585. Motorer fra masseproduktionen kan afvige fra denne værdi. Den faktiske effekt på motoren, som monteres i det færdige produkt, vil afhænge af driftshastigheden, miljøsensyn og andre værdier.

¹⁷ Brug motorolie af kvaliteten SG-SH. Se tabellen over viskositet i motorproducentens manual, og vælg en olie med optimal viskositet i forhold til den forventede udendørstemperatur.

¹⁸ Emission af støj til omgivelserne målt som lydeffekt (L_{WA}) i henhold til EF-direktiv 2000/14/EF.

¹⁹ Lydtryksniveau iht. ISO 5395. Rapporterede data for lydtryksniveau har en typisk statistisk spredning (standardafvigelse) på 1,2 dB (A).

	KLIPPO LB 448S	KLIPPO LB 453S	KLIPPO LB 548S e
Vibrationsniveauer, a_{hved}²⁰			
Håndtag, m/s ²	4,5	5,3	4,8
Skæreudstyr			
Klippehøjde, mm	30-60	30-60	30-60
Klippebredde, mm	480	530	480
Klinge	Bioklip - 48 cm 5028813-10	Bioklip - 53 cm 5028814-10	Bioklip - 48 cm 5028813-10
Drev			
Hastighed, km/t	4,5	4,5	4,5

²⁰ Vibrationsniveau iht. ISO 5395. Rapporterede data for vibrationsniveau har en typisk statistisk spredning (standardafvigelse) på 0,2 m/s².

EU-overensstemmelseserklæring

EU-overensstemmelseserklæring

Husqvarna AB, SE-561 82 Huskvarna, Sverige, tlf.: +46-36-146500 erklærer, at **plæneklipperen Husqvarna KLIPPO LB 448S, KLIPPO LB 453S, KLIPPO LB 548S** fra serienummer 2020xxxxxxx og fremefter overholder forskrifterne i RÅDETS DIREKTIV:

- af den 17. maj 2006 "angående maskiner" **2006/42/EF**
- af den 26. februar 2014 "angående elektromagnetisk kompatibilitet" **2014/30/EU**
- af den 8. maj 2000 "angående emission af støj til omgivelserne" **2000/14/EF**
- af den 8. juni 2011 om "begrænsning af anvendelsen af visse farlige stoffer i elektrisk og elektronisk udstyr" **2011/65/EU**

Oplysninger om støjafgivelse findes i de tekniske specifikationer.

Der er anvendt følgende standarder:

EN ISO 5395-1, EN ISO 5395-2, EN ISO 5395-2 Amd1, EN ISO 5395-2 Amd 2, EN 55012, EN 50581:2012

Hvis ikke andet er angivet, er de ovennævnte standarder de senest udgivne versioner.

Udpeget organ: **0404, RISE SMP Svensk Maskinprovning AB, Box 7035, SE-750 07 Uppsala** har udstedt rapporter vedrørende opfyldelse af bestemmelserne iht. bilag VI til RÅDETS DIREKTIV af 8. maj 2000 "angående emission af støj til omgivelserne" 2000/14/EU.

Huskvarna, 2020-09-16



Claes Losdal, udviklingschef/haveprodukter (autoriseret repræsentant for Husqvarna AB og ansvarlig for teknisk dokumentation)

Inhalt

Einleitung.....	56	Wartung.....	62
Sicherheit.....	57	Transport, Lagerung und Entsorgung.....	66
Montage.....	61	Technische Angaben.....	66
Betrieb.....	61	EU-Konformitätserklärung.....	68

Einleitung

Gerätebeschreibung

Das Gerät ist ein handgeführter Rasenmäher, der BioClip® nutzt, um das Gras in Dünger zu schneiden.

Verwendungszweck

Verwenden Sie das Gerät zum Schneiden von Gras.
Verwenden Sie das Gerät nicht für andere Aufgaben.

Geräteübersicht

(Abb. 1)

1. Griff/Lenker
2. Motorbremsgriff
3. Antriebshebel
4. Startseilgriff
5. Öldeckel
6. Riemenschutz
7. Schalldämpfer
8. Zündkerze
9. Riemenschutz
10. Kraftstofftank
11. Hebel für Winkeleinstellung des Griffs
12. Antivibrationssystem
13. Kupplungsseileinstellung
14. Unterer Griff
15. Schnitthöhenhebel
16. Kraftstoffventil
17. Luftfilter
18. Schneidwerkabdeckung
19. Federring
20. Klingenschraube
21. Klinge
22. Klingenauflage
23. Mulcheinsatz (KLIPPO LB 448S, KLIPPO LB 548S e)
24. Betriebsanleitung

(Abb. 4) Achten Sie auf hochgeschleuderte und abprallende Gegenstände.

(Abb. 5) Andere Personen oder Tiere müssen sich in sicherem Abstand vom Arbeitsbereich befinden.

(Abb. 6) Schalten Sie vor der Durchführung von Reparatur- oder Wartungsarbeiten den Motor aus, und entfernen Sie das Zündkabel.

(Abb. 7) Warnung: Halten Sie Hände und Füße von rotierenden Teilen fern.

(Abb. 8) Warnung: Halten Sie Hände und Füße von der rotierenden Klinge fern.

(Abb. 9) Dieses Gerät stimmt mit den geltenden EG-Richtlinien überein.

(Abb. 10) Umweltbelastende Geräuschemissionen gemäß der entsprechenden EG-Richtlinie 2000/14/EG und der australischen „Protection of the Environment Operations (Noise Control) Regulation 2017“ (Umweltschutz-/Lärmschutzbestimmung) von New South Wales. Daten zu Geräuschemissionen sind auf dem Geräteschild und im Abschnitt „Technische Daten“ angegeben.

(Abb. 11) Scanbarer Code.

Symbole auf dem Gerät

(Abb. 2) **WARNUNG:** Bei nachlässiger oder nicht ordnungsgemäßer Bedienung kann es zu Verletzungen oder zum Tode des Bedieners oder anderer Personen kommen.

(Abb. 3) Lesen Sie die Bedienungsanleitung sorgfältig durch, und machen Sie sich vor der Benutzung mit dem Inhalt vertraut.

Hinweis: Weitere Symbole/Aufkleber auf dem Gerät beziehen sich auf die Zertifizierungsanforderungen für einige kommerzielle Bereiche.

Aufkleber auf dem Gerät, nur für Australien und Neuseeland

(Abb. 12)

Halten Sie Hände und Füße von der rotierenden Rasenmäherklinge fern.

Emissionen nach Euro V



WARNUNG: Bei jeglichen Manipulationen des Motors erlischt die EU-Typgenehmigung für dieses Produkt.

Produkthaftung

Im Sinne der Produkthaftungsgesetze übernehmen wir keine Haftung für Schäden, die unser Gerät verursacht, wenn...

Sicherheit

Sicherheitsdefinitionen

Warnungen, Vorsichtsmaßnahmen und Hinweise werden verwendet, um auf besonders wichtige Teile der Bedienungsanleitung hinzuweisen.



WARNUNG: Wird verwendet, wenn bei Nichtbeachtung der Anweisungen in diesem Handbuch die Gefahr von Verletzung oder Tod des Bedieners oder anderer Personen besteht.



ACHTUNG: Wird verwendet, wenn bei Nichtbeachtung der Anweisungen in diesem Handbuch die Gefahr von Schäden am Gerät, an anderen Materialien oder in der Umgebung besteht.

Hinweis: Für weitere Informationen, die in bestimmten Situationen nötig sind.

Allgemeine Sicherheitshinweise



WARNUNG: Lesen Sie die folgenden Warnhinweise, bevor Sie das Gerät benutzen.

- Dieses Gerät ist gefährlich, wenn es falsch bedient wird oder Sie unvorsichtig sind. Wenn die Sicherheitshinweise nicht befolgt werden, kann dies zu Verletzungen oder zum Tod führen.
- Dieses Gerät erzeugt beim Betrieb ein elektromagnetisches Feld. Dieses Feld kann sich unter bestimmten Bedingungen auf die Funktionsweise aktiver oder passiver medizinischer Implantate auswirken. Um die Gefahr von

- das Gerät nicht ordnungsgemäß repariert wird.
- das Gerät mit Teilen repariert wird, die nicht vom Hersteller stammen oder nicht vom Hersteller zugelassen sind.
- ein Zubehöerteil mit dem Gerät verwendet wird, das nicht vom Hersteller stammt oder nicht vom Hersteller zugelassen ist.
- das Gerät nicht bei einem zugelassenen Service Center oder von einem zugelassenen Fachmann repariert wird.

- Situationen, die zu schweren oder tödlichen Verletzungen führen können, zu reduzieren, sollten Personen mit einem medizinischen Implantat vor der Nutzung dieses Geräts ihren Arzt und den Hersteller des Implantats konsultieren.
- Lassen Sie immer Vorsicht walten, und arbeiten Sie mit gesundem Menschenverstand. Wenn Sie sich nicht sicher sind, wie das Gerät in einer bestimmten Situation zu bedienen ist, unterbrechen Sie die Arbeit und wenden sich an Ihren Husqvarna Händler, bevor Sie fortfahren.
- Denken Sie daran, dass der Bediener für Unfälle mit anderen Personen oder deren Eigentum verantwortlich ist.
- Halten Sie das Gerät sauber. Stellen Sie sicher, dass Symbole und Aufkleber deutlich lesbar sind.
- Lassen Sie keine andere Person das Gerät verwenden, es sei denn, Sie haben sich zuvor vergewissert, dass diese Person den Inhalt der Bedienungsanleitung gelesen und verstanden hat.
- Lassen Sie nicht zu, dass Kinder das Gerät verwenden.
- Halten Sie Kinder vom Arbeitsbereich fern. Es muss immer ein verantwortlicher Erwachsener anwesend sein.
- Erlauben Sie nicht, dass Personen ohne Kenntnis der Anweisungen das Gerät bedienen.
- Stellen Sie sicher, dass Personen mit verminderter physischer oder psychischer Leistungsfähigkeit dieses Gerät nicht unbeobachtet verwenden. Es muss immer ein verantwortlicher Erwachsener anwesend sein.
- Verwenden Sie das Gerät nicht, wenn Sie müde oder krank sind oder unter Einfluss von Alkohol, Drogen oder Medikamenten stehen. Dies wirkt sich negativ auf Ihre Sehkraft, Ihre Aufmerksamkeit sowie Ihr Koordinations- und Urteilsvermögen aus.

- Verwenden Sie das Gerät nicht, wenn es defekt ist.
- Verändern oder verwenden Sie dieses Gerät nicht, wenn die Möglichkeit besteht, dass andere es verändert haben.
- Nehmen Sie keine Änderungen an der Einstellung der Motordrehzahlregelung vor.

Sicherheit im Arbeitsbereich



WARNUNG: Lesen Sie die folgenden Warnhinweise, bevor Sie das Gerät benutzen.

- Entfernen Sie Gegenstände wie Äste, Zweige und Steine aus dem Arbeitsbereich, bevor Sie das Produkt verwenden.
- Gegenstände, die auf die Schneidausrüstung treffen, können herausgeschleudert werden und Personen und Gegenständen Schaden zufügen. Halten Sie andere Personen und Tiere in einem sicheren Abstand zum Produkt.
- Benutzen Sie das Produkt niemals bei schlechtem Wetter wie Nebel, Regen, starkem Wind, intensiver Kälte und bei der Gefahr eines Blitzschlags. Die Verwendung des Produkts bei schlechtem Wetter oder an feuchten oder nassen Stellen ist anstrengend. Schlechtes Wetter kann gefährliche Zustände wie rutschige Oberflächen verursachen.
- Achten Sie auf Personen, Gegenstände und Situationen, die einen sicheren Betrieb des Produkts verhindern könnten.
- Achten Sie auf Hindernisse wie Wurzeln, Steine, Zweige, Löcher und Gräben. Langes Gras kann Hindernisse verdecken.
- Das Mähen von Gras an Steigungen kann gefährlich sein. Verwenden Sie das Produkt nicht in einem Gelände mit einer Neigung von mehr als 15°.
- Betreiben Sie das Produkt quer zum Hang. Bewegen Sie sich nicht nach oben und nach unten.
- Seien Sie vorsichtig, wenn Sie um versteckte Ecken oder Objekte herum fahren, die Ihre freie Sicht verhindern.

Arbeitssicherheit



WARNUNG: Lesen Sie die folgenden Warnhinweise, bevor Sie das Gerät benutzen.

- Verwenden Sie dieses Produkt nur zum Mähen von Rasenflächen. Es ist nicht erlaubt, das Produkt für andere Aufgaben zu verwenden.
- Benutzen Sie eine persönliche Schutzausrüstung. Siehe *Persönliche Schutzausrüstung auf Seite 59*.
- Stellen Sie sicher, dass Sie wissen, wie der Motor in einem Notfall schnell gestoppt werden kann.
- Starten Sie den Motor niemals in einem geschlossenen Raum oder in der Nähe von brennbarem Material. Die Motorabgase sind heiß

und können Funken enthalten, die einen Brand verursachen können.

- Starten Sie das Produkt nicht, bevor die Klinge und alle Abdeckungen korrekt befestigt sind. Eine falsch befestigte Klinge kann sich lösen und Personenschaden verursachen.
- Stellen Sie sicher, dass die Klinge nicht auf Gegenstände wie Steine und Wurzeln trifft. Dies kann die Klinge beschädigen und die Motorwelle verbiegen. Eine verbogene Achse führt zu starken Vibrationen und birgt ein hohes Risiko, dass die Klinge sich löst.
- Wenn die Klinge auf ein Objektiv trifft oder Vibrationen auftreten, müssen Sie das Produkt sofort abstellen. Ziehen Sie das Zündkabel von der Zündkerze ab. Untersuchen Sie das Produkt auf beschädigte Teile. Reparieren Sie Schäden oder lassen Sie einen autorisierten Kundendienst die Reparatur durchführen.
- Befestigen Sie die Motorbremse niemals fest am Griff, wenn der Motor läuft.
- Stellen Sie das Produkt auf eine stabile, flache Oberfläche und starten Sie es. Stellen Sie sicher, dass die Klinge nicht den Boden oder ein anderes Objekt berührt.
- Bleiben Sie immer hinter dem Produkt, wenn Sie es betreiben.
- Lassen Sie alle Räder auf dem Boden bleiben und halten Sie den Griff mit 2 Händen, wenn Sie das Produkt betreiben. Halten Sie Hände und Füße von den rotierenden Rasenmäherklingen fern.
- Kippen Sie das Produkt nicht, wenn der Motor läuft.
- Seien Sie vorsichtig, wenn Sie das Produkt nach hinten ziehen.
- Heben Sie das Produkt nicht hoch, wenn der Motor läuft. Wenn Sie das Produkt anheben müssen, schalten Sie zunächst den Motor aus und ziehen Sie das Zündkabel von der Zündkerze ab.
- Gehen Sie nicht rückwärts, wenn Sie das Produkt betreiben.
- Stellen Sie den Motor ab, wenn Sie sich über Bereiche ohne Gras bewegen, zum Beispiel Wege aus Kies, Stein und Asphalt.
- Rennen Sie nicht mit dem Produkt, wenn der Motor läuft. Gehen Sie immer, wenn Sie das Produkt benutzen.
- Stellen Sie den Motor ab, bevor Sie die Schnitthöhe verändern. Verändern Sie die Einstellungen niemals, wenn der Motor läuft.
- Lassen Sie das Produkt niemals aus den Augen, wenn der Motor läuft. Stellen Sie den Motor ab und stellen Sie sicher, dass sich die Schneidausrüstung nicht dreht.

Sicherheitshinweise für den Betrieb

Persönliche Schutzausrüstung



WARNUNG: Lesen Sie die folgenden Warnhinweise, bevor Sie das Gerät benutzen.

- Die persönliche Schutzausrüstung kann Verletzungen nicht vollständig vermeiden, vermindert aber den Umfang der Verletzungen und Schäden bei einem Unfall. Lassen Sie sich von Ihrem Händler bei der Auswahl der richtigen Ausrüstung unterstützen.
- Tragen Sie einen Gehörschutz, wenn der Geräuschpegel höher als 85 dB ist
- Tragen Sie rutschfeste Sicherheitsstiefel oder -schuhe. Verwenden Sie keine offenen Schuhe, und gehen Sie nicht barfuß.
- Tragen Sie schwere, lange Hosen.
- Tragen Sie bei Bedarf Schutzhandschuhe, beispielsweise bei der Montage, der Untersuchung oder der Reinigung der Schneidausrüstung.

Sicherheitsvorrichtungen am Gerät



WARNUNG: Lesen Sie die folgenden Warnhinweise, bevor Sie das Gerät benutzen.

- Benutzen Sie kein Gerät mit defekten Sicherheitsvorrichtungen.
- Führen Sie regelmäßig eine Überprüfung der Sicherheitsvorrichtungen durch. Wenn die Sicherheitsvorrichtungen defekt sind, wenden Sie sich an Ihre Husqvarna-Servicewerkstatt.

So überprüfen Sie den Schneidschutz

Der Schneidschutz verringert Vibrationen im Gerät und das Verletzungsrisiko durch die Klinge.

- Untersuchen Sie die Schneidwerkabdeckung, um sicherzustellen, dass es keine Beschädigungen wie zum Beispiel Risse gibt.

So prüfen Sie den Riemenschutz

Der Riemenschutz verringert das Verletzungsrisiko und stellt sicher, dass ein beschädigter Treibriemen nicht ausgeworfen wird.

- Stellen Sie sicher, dass der Riemenschutz nicht beschädigt und korrekt befestigt ist. (Abb. 13)

So kontrollieren Sie den Riemenschutz

Der Riemenschutz verringert das Verletzungsrisiko und stellt sicher, dass ein beschädigter Treibriemen nicht ausgeworfen wird.

- Stellen Sie sicher, dass der Riemenschutz nicht beschädigt und korrekt befestigt ist. (Abb. 14)

Motorbremsgriff

Der Motorbremshebel stoppt den Motor. Wenn der Motorbremshebel losgelassen wird, stoppt der Motor.

Um eine Inspektion der Motorbremse durchzuführen, starten Sie den Motor und lassen dann den Motorbremshebel los. Wenn der Motor nicht innerhalb von 3 Sekunden stoppt, lassen Sie die Motorbremse von einer autorisierten Husqvarna Servicewerkstatt einstellen.

(Abb. 15)

So prüfen Sie das Antivibrationssystem



WARNUNG: Eine übermäßige Belastung durch Vibrationen kann bei Personen mit verminderter Durchblutung Kreislauf- oder Nervenschäden verursachen. Suchen Sie einen Arzt auf, wenn Sie an Ihrem Körper Symptome feststellen, die darauf hinweisen, dass Sie zu starken Vibrationen ausgesetzt waren. Zu diesen Symptomen zählen beispielsweise Einschlafen von Körperteilen, Gefühlsverlust, Kitzeln, Stechen, Schmerz, Verlust oder Beeinträchtigung der normalen Körperkraft, Veränderungen der Hautfarbe oder der Hautbeschaffenheit. Diese Beschwerden treten normalerweise in den Fingern, Händen und Handgelenken auf.

Das Antivibrationssystem verringert Vibrationen im Griff während des Betriebs.

Das Stahlrohr im Lenker und die Schneidwerkabdeckung reduzieren Vibrationen. Der KLIPPO LB 548S e verfügt zudem über 4 Vibrationsdämpfer am Lenker.

- Überprüfen Sie den Lenker und die Vibrationsdämpfer, um sicherzustellen, dass keine Beschädigungen vorhanden sind. (Abb. 16)

Klingenauflage

Die Messerhalterung verringert das Risiko einer verbogenen Motorwelle. Wenn das Messer auf ein Objekt trifft, bewegt sich das Messer gegen die Messerhalterung. Die Bewegung verursacht Verschleiß auf der Oberfläche des Messers. Der Verschleiß zeigt, dass der Schutz der Motorwelle ordnungsgemäß funktioniert.

Schalldämpfer

Der Schalldämpfer senkt den Geräuschpegel so weit wie möglich und hält die Abgase des Motors vom Anwender fern.

Verwenden Sie das Gerät nicht, wenn der Schalldämpfer fehlt oder defekt ist. Ein defekter Schalldämpfer erhöht den Geräuschpegel und die Brandgefahr.



WARNUNG: Der Schalldämpfer wird während und nach Gebrauch und wenn der Motor im Leerlauf läuft, sehr heiß. Seien Sie in der Nähe von entzündlichen Materialien und/oder Dämpfen besonders vorsichtig, um Brandgefahr zu verhindern.

So prüfen Sie den Schalldämpfer

- Überprüfen Sie den Schalldämpfer regelmäßig, um sicherzustellen, dass er richtig angebracht und nicht beschädigt ist.

Sicherer Umgang mit Kraftstoff



WARNUNG: Lesen Sie die folgenden Warnhinweise, bevor Sie das Gerät benutzen.

- Starten Sie das Gerät nicht, wenn sich Kraftstoff oder Öl darauf befindet. Entfernen Sie den unerwünschten Kraftstoff bzw. das Öl und lassen Sie das Gerät trocknen.
- Wechseln Sie sofort die Kleidung, wenn Sie Kraftstoff darauf verschütten.
- Lassen Sie keinen Kraftstoff auf Ihren Körper gelangen, denn dies kann zu Verletzungen führen. Wenn Kraftstoff auf Ihre Haut gelangt, waschen Sie diesen mit Wasser und Seife ab.
- Starten Sie das Gerät nicht, wenn der Motor undicht ist. Überprüfen Sie den Motor regelmäßig auf Undichtigkeiten.
- Gehen Sie vorsichtig mit Kraftstoff um. Kraftstoff ist feuergefährlich, und die Dämpfe sind explosiv und können zu Verletzungen oder sogar zum Tod führen.
- Atmen Sie die Kraftstoffdämpfe nicht ein, denn sie sind gesundheitsschädigend. Achten Sie auf ausreichende Belüftung.
- Rauchen Sie nicht in der Nähe des Kraftstoffs oder des Motors.
- Stellen Sie keine heißen Gegenstände in der Nähe des Kraftstoffs oder Motors ab.
- Füllen Sie keinen Kraftstoff nach, während der Motor läuft.
- Vergewissern Sie sich, dass der Motor abgekühlt ist, bevor Sie Kraftstoff nachfüllen.
- Öffnen Sie vor dem Nachfüllen den Tankdeckel langsam und lassen Sie den Druck vorsichtig entweichen.

- Füllen Sie keinen Kraftstoff in den Motor, wenn Sie sich in einem Innenraum befinden. Eine mangelhafte Luftzirkulation kann zu schweren oder tödlichen Verletzungen durch Ersticken oder eine Kohlenmonoxidvergiftung führen.
- Schrauben Sie den Kraftstofftankdeckel fest zu. Wenn der Tankverschluss nicht fest zugeschraubt ist, besteht Feuergefahr.
- Bewegen Sie das Produkt vor dem Starten mindestens 3 m von der Stelle fort, an der Sie den Tank befüllt hatten.
- Füllen Sie den Kraftstofftank nicht vollständig auf. Durch Hitze dehnt sich der Kraftstoff aus. Lassen Sie deshalb einen Freiraum im oberen Bereich des Kraftstofftanks.

Sicherheitshinweise für die Wartung



WARNUNG: Lesen Sie die folgenden Warnhinweise, bevor Sie das Gerät benutzen.

- Die Abgase des Motors enthalten Kohlenmonoxid, ein geruchloses, giftiges und sehr gefährliches Gas. Starten Sie den Motor nicht in Innenräumen oder in geschlossenen Räumen.
- Bevor Sie an dem Produkt eine Wartung durchführen, schalten Sie den Motor aus und ziehen Sie das Zündkabel von der Zündkerze ab.
- Tragen Sie Schutzhandschuhe, wenn Sie an der Schneidusrüstung eine Wartung durchführen. Die Klinge ist sehr scharf und man schneidet sich sehr leicht.
- Zubehörteile und Änderungen am Produkt, die vom Hersteller nicht genehmigt wurden, können zu schweren Verletzungen oder zum Tod führen. Verändern Sie das Produkt nicht. Verwenden Sie immer Teile, die vom Hersteller genehmigt wurden.
- Wenn die Wartung nicht ordnungsgemäß und regelmäßig erfolgt, erhöht sich die Verletzungsgefahr und das Risiko für eine Beschädigung des Produkts.
- Führen Sie die Wartung nur gemäß dieser Betriebsanleitung durch. Alle anderen Wartungsarbeiten müssen von einer autorisierten Husqvarna Servicewerkstatt durchgeführt werden.
- Lassen Sie eine autorisierte Husqvarna Servicewerkstatt das Produkt regelmäßig warten.
- Ersetzen Sie beschädigte, abgenutzte oder defekte Teile.

Montage

Einleitung



WARNUNG: Vor dem Betrieb des Gerätes müssen Sie die Sicherheitsinformationen lesen und verstehen.



WARNUNG: Ziehen Sie den Zündkerzenstecker von der Zündkerze ab, bevor Sie das Gerät zusammenbauen.

So montieren Sie den Griff und passen ihn an

1. Entfernen Sie die Griffmutter und die Scheibe von der Platte am oberen Griff.
2. Bringen Sie den oberen Griff an der Oberseite des unteren Griffs in Position.



ACHTUNG: Stellen Sie sicher, dass die Kabel nicht eingeklemmt oder beschädigt werden.

3. Befestigen Sie die Scheibe und die Griffmutter. (Abb. 17)
4. Drehen Sie den Griff für eine gute Betriebsposition zur Seite, wenn Sie das Gerät in der Nähe einer Wand betreiben. (Abb. 18)
5. Drehen Sie die Stellräder am Chassis, um den Griff vertikal einzustellen. (Abb. 19)

So montieren Sie den Mulcheinsatz KLIPPO LB 448S, KLIPPO LB 548S e

1. Kippen Sie das Gerät nach hinten mit der Zündkerze nach oben.
2. Stecken Sie die Stifte des Mulcheinsatzes von der Innenseite der Schneidwerkabdeckung in die Bohrungen. (Abb. 20)
3. Bringen Sie die Schrauben des Mulcheinsatzes von der Außenseite der Schneidwerkabdeckung an. (Abb. 21)

Betrieb

Einleitung



WARNUNG: Vor dem Betrieb des Gerätes müssen Sie die Sicherheitsinformationen lesen und verstehen.

Husqvarna Connect

Husqvarna Connect ist eine kostenlose App für Ihr Mobilgerät. Die Husqvarna Connect App bietet erweiterte Funktionen für Ihr Gerät:

- Erweiterte Produktinformationen
- Informationen über Produktteile und -wartung sowie entsprechende Hilfe dazu.

So verwenden Sie Husqvarna Connect

1. Laden Sie die Husqvarna Connect App auf Ihr Mobiltelefon.
2. Anmeldung bei der Husqvarna Connect App.
3. Befolgen Sie die Anweisungen in der Husqvarna Connect App, um sich zu verbinden und das Gerät zu registrieren.

Bevor Sie das Produkt in Betrieb nehmen

1. Lesen Sie die Bedienungsanleitung sorgfältig durch, und vergewissern Sie sich, dass Sie die Anweisungen verstehen.
2. Untersuchen Sie die Schneidausrüstung, um sicherzustellen, dass sie ordnungsgemäß befestigt und eingestellt ist. Siehe *So prüfen Sie die Schneidausrüstung auf Seite 64*.
3. Füllen Sie es in den Kraftstofftank. Siehe *So füllen Sie Kraftstoff ein auf Seite 61*.
4. Füllen Sie den Öltank, und überprüfen Sie den Ölstand. Siehe *So prüfen Sie den Ölstand auf Seite 65*.

So füllen Sie Kraftstoff ein

Falls vorhanden, verwenden Sie schadstoffarmes Benzin/Alkylatbenzin. Wenn schadstoffarmes Benzin/Alkylatbenzin nicht verfügbar ist, verwenden Sie ein qualitativ hochwertiges, bleifreies Benzin oder verbleites Benzin mit einer Oktanzahl von mindestens 90.



ACHTUNG: Verwenden Sie kein Benzin mit einer geringeren Oktanzahl als 90 RON (87 AKI). Dies kann das Gerät beschädigen.

1. Öffnen Sie den Tankdeckel langsam, damit der Druck entweichen kann.
2. Füllen Sie langsam mit einem Kraftstoffkanister auf. Wenn Sie Kraftstoff verschütten, entfernen Sie ihn mit einem Tuch und lassen Sie den verbleibenden Treibstoff trocknen.
3. Säubern Sie den Bereich um den Tankdeckel herum.
4. Schrauben Sie den Kraftstofftankdeckel fest zu. Wenn der Tankverschluss nicht fest zugeschraubt ist, besteht Feuergefahr.
5. Bewegen Sie das Produkt vor dem Starten mindestens 3 m von der Stelle fort, an der Sie den Tank befüllt hatten.



WARNUNG: Wickeln Sie das Starterseil nicht um Ihre Hand.



ACHTUNG: Ziehen Sie das Starterseil nicht vollständig aus. Lassen Sie den Griff des Starterseils nicht los, wenn das Starterseil vollständig ausgezogen ist.

So stellen Sie die Schnitthöhe ein

Die Schnitthöhe lässt sich in 6 Stufen einstellen.

1. Bewegen Sie den Schnitthöhenhebel nach vorne, um die Schnitthöhe zu erhöhen.
2. Bewegen Sie den Schnitthöhenhebel nach hinten, um die Schnitthöhe zu verringern.



ACHTUNG: Stellen Sie die Schnitthöhe nicht zu niedrig ein. Die Klingen können auf den Boden treffen, wenn die Oberfläche des Rasens nicht eben ist.

So starten Sie das Produkt

1. Stellen Sie sicher, dass das Zündkabel mit der Zündkerze verbunden ist.
2. Kraftstoffventil öffnen. (Abb. 22)
3. Bleiben Sie hinter dem Produkt.
4. Halten Sie den Motorbremsgriff gegen den Lenker. (Abb. 23)
5. Ziehen Sie den Griff am Starterseilhandgriff mit Ihrer rechten Hand.
6. Ziehen Sie langsam das Starterseil, bis Sie etwas Widerstand spüren.
7. Kräftig ziehen, um den Motor anzulassen.

- Drücken Sie den Antriebshebel nach unten. (Abb. 24)
- Bevor Sie das Gerät nach hinten ziehen, kuppeln Sie den Antrieb aus und schieben das Gerät ca. 10 cm nach vorne.
- Lassen Sie den Motorbremsgriff etwas los, um den Antrieb auszuschalten, wenn Sie sich beispielsweise auf ein Hindernis zubewegen.

So stoppen Sie das Gerät

- Um nur den Antrieb zu stoppen, lassen Sie den Motorbremsgriff etwas los.
- Um den Motor zu stoppen, lassen Sie den Motorbremsgriff vollständig los.
- Schließen Sie das Kraftstoffventil. (Abb. 25)

So erhalten Sie ein gutes Mähergebnis

- Benutzen Sie immer eine scharfe Klinge. Eine stumpfe Klinge liefert ein unregelmäßiges Ergebnis, und die Schnittfläche des Grases wird gelb. Eine scharfe Klinge verbraucht außerdem weniger Energie als eine stumpfe Klinge.
- Schneiden Sie nicht mehr als $\frac{1}{3}$ der Länge des Grases ab. Mähen Sie zuerst mit einer hohen Schnitthöhe. Überprüfen Sie das Ergebnis, und senken Sie die Schnitthöhe auf eine entsprechende Stufe. Wenn das Gras sehr lang ist, fahren Sie langsam und mähen bei Bedarf 2-mal.
- Mähen Sie bei jedem Mal in eine andere Richtung, um Streifen auf dem Rasen zu vermeiden.

Wartung

Einleitung



WARNUNG: Bevor Sie eine Wartung durchführen, müssen Sie das Kapitel über die Sicherheit lesen und verstehen.

Für alle Wartungs- und Reparaturarbeiten am Produkt ist eine spezielle Schulung erforderlich. Wir garantieren die Verfügbarkeit von professionellen Reparaturen und Wartungsarbeiten. Wenn Ihr Händler keine Servicewerkstatt ist, sprechen Sie mit ihm, um

Informationen über die nächste Servicewerkstatt zu erhalten.

Wartungsplan

Die Wartungsintervalle werden anhand der täglichen Nutzung des Produkts berechnet. Die Intervalle ändern sich, wenn das Produkt nicht täglich verwendet wird.

Für Wartungsarbeiten, die mit * gekennzeichnet sind, siehe Anweisungen in *Sicherheitsvorrichtungen am Gerät auf Seite 59*.

Wartung	Taglich	Wochentlich	Monatlich
Fuhren Sie eine allgemeine Inspektion durch	X		
Prufen Sie den Olstand	X		
Reinigen Sie das Produkt	X		
Reinigen Sie den Luftfilter	X		
Prufen Sie die Schneid-ausrustung	X		
Prufen Sie die Schneidwerkabdeckung*	X		
Prufen Sie den Motorbremsgriff*	X		
Prufen Sie den Schalldampfer*		X	
Prufen Sie die Zundkerze		X	
Uberprufen Sie den Antriebsriemen auf Beschadigungen			X
Reinigen Sie das Getriebegehause			X
Wechseln Sie das Ol (das erste Mal nach 5 Betriebsstunden und da- nach alle 25 Betriebsstunden und jahrlich)			X
Tauschen Sie den Luftfilter aus			X
Prufen Sie den Kraftstofffilter			X
Prufen und justieren Sie den Antrieb (Kupplungsdraht)			X

So fuhren Sie eine allgemeine Inspektion durch

- Stellen Sie sicher, dass alle Muttern und Schrauben am Gerat richtig angezogen sind.

So reinigen Sie das Produkt auen

- Verwenden Sie einen Pinsel, um Blatter, Gras und Schmutz zu entfernen.
- Achten Sie darauf, dass der Lufteinlass auf der Oberseite des Motors nicht blockiert ist.
- Reinigen Sie das Gerat nicht mit einem Hochdruckreiniger.
- Wenn Sie Wasser verwenden, um das Produkt zu reinigen, bringen Sie das Wasser nicht direkt auf den Motor auf.

So reinigen Sie die Innenseite der Schneidwerkabdeckung

1. Legen Sie das Produkt mit dem Schalldampfer nach unten auf die Seite.



ACHTUNG: Wenn das Produkt mit dem Luftfilter nach unten gelegt wird, kann der Motor beschadigt werden.

2. Spritzen Sie die Innenflache der Schneidwerkabdeckung mit dem Wasserschlauch ab.

So uberprufen Sie den Antriebsriemen und reinigen das Getriebegehause

1. Entfernen Sie die 4 Schrauben am Riemenschutz und nehmen Sie diesen ab. (Abb. 26)
2. Uberprufen Sie den Antriebsriemen und die Riemenscheiben auf Beschadigungen.
3. Verwenden Sie eine Burste, um Blatter, Gras oder Schmutz aus dem Getriebegehause zu entfernen. (Abb. 27)

So ersetzen Sie den Antriebsriemen und stellen ihn ein

1. Entfernen Sie die 4 Schrauben am Riemenschutz und nehmen Sie diesen ab. (Abb. 26)
2. Stecken Sie einen Schlitzschraubenzieher zwischen die Radkappe und das rechte Vorderrad des Gerats.
3. Drehen Sie den Schraubendreher vorsichtig, um die Radkappe zu entfernen.
4. Entfernen Sie den Radbolzen und das Rad. (Abb. 28)
5. Entfernen Sie den Treibriemen von den Riemenscheiben.

6. Stellen Sie sicher, dass sich die Riemenscheiben leicht auf der Achse bewegen.
7. Sprühen Sie, falls erforderlich, Kriechöl zwischen und hinter die Riemenscheiben, und schmieren Sie die Achse.
8. Montieren Sie einen neuen Treibriemen, und befestigen Sie ihn ordnungsgemäß am Kugellager, bevor Sie den Treibriemen einstellen. (Abb. 29)
9. Bewegen Sie das Kugellager nach oben oder unten, um den Treibriemen einzustellen. (Abb. 30)

Hinweis: Ein neuer Treibriemen dehnt sich bei Gebrauch. Stellen Sie den Treibriemen nach einigen Betriebsstunden erneut ein.

10. Befestigen Sie den Riemenschutz.
11. Bedienen Sie das Gerät, um sicherzustellen, dass der Treibriemen ordnungsgemäß montiert und eingestellt ist.

So ersetzen Sie den Zwischenriemen und stellen ihn ein

1. Entfernen Sie die Klinge.

Hinweis: Dieser Schritt ist nicht notwendig, wenn Sie nur den Zwischenriemen einstellen.

2. Lösen Sie die Stellschrauben etwas, aber entfernen Sie sie nicht. (Abb. 31)
3. Ersetzen Sie den Zwischenriemen, und ziehen Sie die Stellschrauben mäßig an.

Hinweis: Dieser Schritt ist nicht notwendig, wenn Sie nur den Zwischenriemen einstellen.

4. Bewegen Sie das Zahnrad nach vorn oder hinten, um den Zwischenriemen einzustellen. (Abb. 32)
5. Prüfen Sie mit einer Hakenskala die Spannung des Zwischenriemens. Der Riemen ist ordnungsgemäß gespannt, wenn er in der Mitte ein Spiel von 6 bis 10 mm hat. Das entspricht einer Zugkraft von 3 kg. (Abb. 33)
6. Ziehen Sie die Stellschrauben mit einem Drehmoment von 3 Nm vollständig an.
7. Bedienen Sie das Gerät, um sicherzustellen, dass der Treibriemen ordnungsgemäß montiert und eingestellt ist.

So prüfen Sie die Schneidausrüstung



WARNUNG: Um ein unbeabsichtigtes Starten zu vermeiden, entfernen Sie das Zündkabel von der Zündkerze.



WARNUNG: Tragen Sie Schutzhandschuhe, wenn Sie an der Schneidausrüstung eine Wartung

durchführen. Die Klinge ist sehr scharf und man schneidet sich sehr leicht.

-
1. Prüfen Sie die Schneidausrüstung auf Beschädigungen oder Risse. Wechseln Sie eine beschädigte Schneidausrüstung unbedingt aus.
 2. Schauen Sie sich die Klinge an, um festzustellen, ob sie beschädigt oder stumpf ist.
-

Hinweis: Nach dem Schärfen muss die Klinge ausbalanciert werden. Lassen Sie eine Servicewerkstatt die Klinge schärfen, ersetzen und ausbalancieren. Wenn Sie auf ein Hindernis treffen, das das Produkt zum Halten bringt, ersetzen Sie die beschädigte Klinge. Lassen Sie die Werkstatt beurteilen, ob die Klinge geschliffen werden kann oder ersetzt werden muss.

So tauschen Sie die Klinge aus

1. Arretieren Sie die Klinge mit einem Holzblock. (Abb. 34)
2. Entfernen Sie die Klingenschraube, die Federscheibe und die Klinge. (Abb. 35)
3. Überprüfen Sie die Klingenauflage und die Klingenschraube auf Beschädigungen.
 - a) Wenn Sie die Klinge oder die Klingenauflage ersetzen, dann ersetzen Sie bitte auch die Klingenschraube, die Federscheibe und die Reibscheibe.
4. Prüfen Sie die Motorwelle, um sicherstellen, dass sie nicht geknickt ist.
5. Wenn Sie die neue Klinge montieren, stellen Sie sicher, dass die gebogenen Enden der Klinge in die Richtung der Schneidwerkabdeckung zeigen. (Abb. 36)
6. Setzen Sie die Reibscheibe und die Klinge an die Klingenauflage an. (Abb. 37)
7. Stellen Sie sicher, dass die Klinge mit der Mitte der Motorwelle ausgerichtet ist. (Abb. 38)
8. Arretieren Sie die Klinge mit einem Holzblock. (Abb. 39)
9. Befestigen Sie die Federscheibe, und ziehen Sie die Schraube mit einem Drehmoment von 80 Nm fest. (Abb. 40)
10. Drehen Sie die Klinge mit der Hand, um sicherzustellen, dass sie sich einwandfrei dreht.



WARNUNG: Tragen Sie stets Schutzhandschuhe. Die Klinge ist sehr scharf, und man schneidet sich sehr leicht.

-
11. Starten Sie das Gerät, um die Klinge zu prüfen. Wenn die Klinge nicht richtig befestigt ist, gibt es im Gerät Vibrationen, oder das Schneidergebnis ist unbefriedigend.

So prüfen Sie den Ölstand



ACHTUNG: Ein zu niedriger Ölstand kann den Motor beschädigen. Prüfen Sie den Ölstand, bevor Sie das Produkt starten.

1. Stellen Sie das Produkt auf einer ebenen Fläche ab.
2. Schließen Sie das Kraftstoffventil.
3. Entfernen Sie den Öltankverschluss mit dem beigefügten Messstab.
4. Reinigen Sie den Messstab von Öl.
5. Stecken Sie den Messstab in den Öltank, ziehen Sie aber den Öltankdeckel nicht an.
6. Entfernen Sie den Messstab.
7. Prüfen Sie den Ölstand am Messstab.
8. Wenn der Ölstand zu niedrig ist, füllen Sie Motoröl ein, und kontrollieren Sie den Ölstand erneut. Der Ölstand ist korrekt, wenn er bis zur oberen Markierung am Messstab reicht.

So tauschen Sie das Motoröl aus



WARNUNG: Das Motoröl ist direkt nach dem Abstellen des Motors sehr heiß. Lassen Sie den Motor abkühlen, bevor Sie das Motoröl ablassen. Wenn Sie Motoröl auf Ihre Haut verschütten, reinigen Sie sie mit Wasser und Seife.

1. Arbeiten Sie so lange mit dem Gerät, bis der Tank leer ist.
2. Trennen Sie das Zündkabel von der Zündkerze.
3. Entfernen Sie den Öltankdeckel.
4. Stellen Sie einen Behälter unter das Gerät, um das Motoröl aufzufangen.
5. Kippen Sie das Gerät, um das Öl aus dem Öltank ablaufen zu lassen.
6. Füllen Sie ein Motoröl des Typs ein, der in *Technische Angaben auf Seite 66* empfohlen wird.
7. So prüfen Sie den Ölstand. Siehe *So prüfen Sie den Ölstand auf Seite 65*.

So reinigen Sie den Luftfilter



ACHTUNG: Betreiben Sie den Motor nicht ohne einen Luftfilter oder mit einem verschmutzten Luftfilter.



ACHTUNG: Tauschen Sie den Luftfilter aus, falls er nicht vollständig zu reinigen oder beschädigt ist. Ein defekter Luftfilter führt zur Beschädigung des Motors.

1. Drücken Sie die Verriegelungslaschen (A), entfernen Sie den Luftfilterdeckel (B) und entfernen Sie den Luftfilter (C). (Abb. 41)
2. Schlagen Sie den Luftfilter gegen eine harte Oberfläche, oder blasen Sie von der sauberen Seite des Luftfilters Druckluft durch den Luftfilter.



ACHTUNG: Auf keinen Fall mit einer Bürste Schmutz entfernen; dabei wird der Schmutz in den Luftfilter gedrückt.

3. Reinigen Sie den Luftfilterhalter (D) und den Luftfilterdeckel mit einem feuchten Tuch.



ACHTUNG: Achten Sie darauf, dass kein Schmutz in den Luftkanal (E) gelangt.

4. Montieren Sie den Luftfilter. Darauf achten, dass der Luftfilter vollständig die Luftfilterhalterung abdichtet.
5. Montieren Sie den Luftfilterdeckel mit den unteren Laschen voran.

So überprüfen Sie die Zündkerze



ACHTUNG: Verwenden Sie stets den vom Hersteller empfohlenen Zündkerzentyp! Die Verwendung eines falschen Zündkerzentyps kann zu Schäden am Gerät führen.

- Überprüfen Sie die Zündkerze, wenn der Motor nur schwache Leistung bringt, sich nur schwer starten lässt oder im Leerlauf nicht ordnungsgemäß funktioniert.
- Wenn Sie diese Anweisungen befolgen, verringern Sie die Gefahr von unerwünschtem Material an den Elektroden der Zündkerze:
 - a) Stellen Sie sicher, dass die Leerlaufdrehzahl richtig eingestellt ist.
 - b) Vergewissern Sie sich, dass das Kraftstoffgemisch korrekt ist.
 - c) Vergewissern Sie sich, dass der Luftfilter sauber ist.
- Ist die Zündkerze verschmutzt, so ist sie zu reinigen; gleichzeitig ist zu prüfen, ob der Elektrodenabstand korrekt ist, siehe *Technische Angaben auf Seite 66*. (Abb. 42)
- Tauschen Sie die Zündkerze bei Bedarf aus.

So prüfen Sie die Kraftstoffanlage

- Prüfen Sie den Kraftstofftankdeckel und die Dichtung für den Tankdeckel, um sicherzustellen, dass keine Beschädigungen vorliegen.

- Untersuchen Sie den Kraftstoffschlauch, um sicherzustellen, dass keine undichten Stellen vorhanden sind. Wenn der Schlauch beschädigt ist, lassen Sie ihn durch eine Servicewerkstatt austauschen.

- Drehen Sie die Stellschraube. (Abb. 43)

Das Kupplungsseil ist richtig eingestellt, wenn die Kupplungsseilhalterung mit der Mutter ausgerichtet ist.

(Abb. 44)

So passen Sie das Kupplungsseil an

Wenn sich der Antrieb langsam anfühlt, muss das Kupplungsseil angepasst werden.

Transport, Lagerung und Entsorgung

Transport und Lagerung

- Für die Lagerung und den Transport des Produkts und des Kraftstoffs ist darauf zu achten, dass keine Lecks oder Dämpfe vorhanden sind. Funken oder offene Flammen, zum Beispiel von elektrischen Geräten oder einem Boiler, können ein Feuer auslösen.
- Verwenden Sie für die Lagerung und den Transport von Kraftstoff immer zugelassene Behälter.
- Leeren Sie den Kraftstofftank, bevor Sie das Produkt über einen längeren Zeitraum einlagern. Entsorgen Sie den Kraftstoff in einer geeigneten Abfallentsorgungsstelle.
- Sichern Sie das Produkt während des Transports ab, um Schäden und Unfälle zu vermeiden.

- Bewahren Sie das Produkt in einem verschlossenen Bereich auf, um einen unerlaubten Zugriff durch Kinder oder andere Personen zu verhindern.
- Bewahren Sie das Produkt an einem trockenen und frostfreien Raum auf.

Entsorgung

- Befolgen Sie die örtlichen Recyclinganforderungen und geltenden Vorschriften.
- Entsorgen Sie alle Chemikalien, z. B. Motoröl oder Kraftstoff, in einer Servicewerkstatt oder in einer geeigneten Abfallentsorgungsstelle.
- Wenn Sie das Produkt nicht mehr benutzen, senden Sie es an einen Husqvarna Händler oder entsorgen Sie es in einer Wiederverwertungsanlage.

Technische Angaben

Technische Daten

	KLIPPO LB 448S	KLIPPO LB 453S	KLIPPO LB 548S e
Motor			
Marke	Honda	Honda	Honda
Hubraum, cm ³	145	166	166
Drehzahl, U/min	2.900	2.900	2.900
Nennleistung des Motors, kW ²¹	2,7	3,3	3,3
Zündanlage			
Zündkerze	NGK BPR5ES	NGK BPR5ES	NGK BPR5ES
Elektrodenabstand, mm	0,7-0,8	0,7-0,8	0,7-0,8
Kraftstoff- und Schmiersystem			
Füllmenge Kraftstofftank, Liter	0,9	0,9	0,9

²¹ Die Motornennleistung ist die durchschnittlich nach SAE-Standard J1349/ISO1585 gemessene Nettleistung eines typischen Produktionsmotors, die (bei einer bestimmten Drehzahl) an das Motormodell abgegeben wird. Motoren aus Massenproduktion können von diesem Wert abweichen. Die tatsächliche Ausgangsleistung des eingebauten Motors hängt von der Betriebsdrehzahl, den Umgebungsbedingungen und anderen Werten ab.

	KLIPPO LB 448S	KLIPPO LB 453S	KLIPPO LB 548S e
Füllmenge Öltank, Liter	0,55	0,5	0,55
Motoröl ²²	SAE 10W-30	SAE 10W-30	SAE 10W-30
Gewicht			
Mit leeren Tanks, kg	30,5	33	32,5
Geräuschemissionen ²³			
Schalleistungspegel, gemessen dB (A)	90	91	90
Schalleistungspegel, garantiert L _{WA} dB (A)	91	94	91
Schallpegel ²⁴			
Schalldruckpegel am Ohr des Bedieners, dB (A)	77	78	78
Vibrationspegel, a_{hveq} ²⁵			
Griff, m/s ²	4,5	5,3	4,8
Schneidausrüstung			
Schnitthöhe, mm	30-60	30-60	30-60
Schnittbreite, mm	480	530	480
Klinge	Mulch – 48 cm	Mulch – 53 cm	Mulch – 48 cm
	5028813-10	5028814-10	5028813-10
Antrieb			
Geschwindigkeit, km/h	4,5	4,5	4,5

²² Verwenden Sie ein Motoröl der Qualität SG–SH. Werfen Sie einen Blick auf die Viskositätstabelle im Motorhandbuch, und wählen Sie je nach erwarteter Außentemperatur die beste Viskosität aus.

²³ Umweltbelastende Geräuschemissionen, gemessen als Schalleistung (L_{WA}) gemäß EG-Richtlinie 2000/14/EG.

²⁴ Schalldruckpegel gemäß ISO 5395. Berichten zufolge liegt der Schalldruckpegel normalerweise bei einer Ausbreitungsklasse (Standardabweichung) von 1,2 dB (A).

²⁵ Vibrationspegel gemäß ISO 5395. Berichten zufolge liegt der Vibrationspegel normalerweise bei einer Ausbreitungsklasse (Standardabweichung) von 0,2 m/s².

EU-Konformitätserklärung

EU-Konformitätserklärung

Husqvarna AB, SE-561 82 Huskvarna, Schweden, Tel.: +46-36-146500 versichert, dass die **Rasenmäher Husqvarna KLIPPO LB 448S, KLIPPO LB 453S, KLIPPO LB 548S e** ab der Seriennummer 2020xxxxxxx den Vorschriften folgender RICHTLINIE DES RATES entsprechen:

- „Maschinenrichtlinie“ **2006/42/EG** vom 17. Mai 2006
- Richtlinie „über elektromagnetische Verträglichkeit“, **2014/30/EU** vom 26. Februar 2014
- „Richtlinie über umweltbelastende Geräuschemissionen von zur Verwendung im Freien vorgesehenen Geräten und Maschinen“ **2000/14/EG** vom 8. Mai 2000
- „Richtlinie zur Beschränkung der Verwendung bestimmter gefährlicher Stoffe in Elektro- und Elektronikgeräten“ **2011/65/EU** vom 8. Juni 2011

Informationen zu Geräuschemissionen finden Sie in den technischen Daten.

Die folgenden Normen werden erfüllt:

EN ISO 5395-1, EN ISO 5395-2, EN ISO 5395-2 Amd1, EN ISO 5395-2 Amd 2, EN 55012, EN 50581:2012

Sofern nicht anders angegeben, entsprechen die oben genannten Normen den neuesten veröffentlichten Versionen.

Benannte Stelle: **0404, RISE SMP Svensk Maskinprovning AB, Box 7035, SE-750 07 Uppsala** hat Berichte zur Beurteilung der Übereinstimmung gemäß Anlage VI zur RICHTLINIE DES RATES vom 8. Mai 2000 „über umweltbelastende Geräuschemissionen von zur Verwendung im Freien vorgesehenen Geräten und Maschinen“ 2000/14/EG veröffentlicht.

Huskvarna, 2020-09-16



Claes Losdal, Entwicklungsleiter/Gartenprodukte
(Bevollmächtigter Vertreter für Husqvarna AB,
verantwortlich für die technische Dokumentation)

Περιεχόμενα

Εισαγωγή.....	69	Συντήρηση.....	75
Ασφάλεια.....	70	Μεταφορά, αποθήκευση και απόρριψη.....	79
Συναρμολόγηση.....	74	Τεχνικά στοιχεία.....	79
Λειτουργία.....	74	Δήλωση Συμμόρφωσης ΕΚ.....	81

Εισαγωγή

Περιγραφή προϊόντος

Το προϊόν είναι ένα χλοοκοπτικό γκαζόν πεζού χειριστή με κύλινδρο, που χρησιμοποιεί το BioClip® για να κόψει το γρασίδι σε σύνθεση λιπάσματος.

Επισκόπηση προϊόντος

(Εικ. 1)

1. Λαβή / χειρολαβή
2. Λαβή φρένου κινητήρα
3. Λεβιές μετάδοσης κίνησης
4. Λαβή κορδονιού συστήματος εκκίνησης
5. Τάπα λαδιού
6. Προστατευτικό ιμάντα
7. Εξάτμιση (σιγαστήρας)
8. Μπουζί
9. Προστατευτικό ιμάντα
10. Ντεπόζιτο καυσίμου
11. Λεβιές ρύθμισης γωνίας της λαβής
12. Σύστημα απόσβεσης κραδασμών
13. Ρύθμιση καλωδίου συμπλέκτη
14. Κάτω λαβή
15. Μοχλός ρύθμισης του ύψους κοπής
16. Βαλβίδα καυσίμου
17. Φίλτρο αέρα
18. Κάλυμμα κοπής
19. Ροδέλα ελατηρίου
20. Βίδα λεπίδας
21. Λεπίδα
22. Στήριγμα λεπίδας
23. Πώμα χορτολιπάσματος (KLIPPO LB 448S, KLIPPO LB 548S e)
24. Εγχειρίδιο χρήσης

Σύμβολα στο προϊόν

- (Εικ. 2) ΠΡΟΕΙΔΟΠΟΙΗΣΗ: Η απρόσεκτη ή λανθασμένη χρήση μπορεί να προκαλέσει τραυματισμό ή θάνατο του χειριστή ή άλλων ατόμων.
- (Εικ. 3) Προτού χρησιμοποιήσετε το προϊόν, διαβάστε το εγχειρίδιο χρήσης προσεκτικά

Προβλεπόμενη χρήση

Χρησιμοποιήστε το προϊόν για την κοπή γρασιδιού. Μην χρησιμοποιείτε το προϊόν για άλλες εργασίες.

και βεβαιωθείτε ότι έχετε κατανοήσει τις οδηγίες.

(Εικ. 4) Προσέχετε για αντικείμενα που μπορεί να εκτοξευθούν ή να εξοστρακιστούν.

(Εικ. 5) Διατηρήστε τα άλλα άτομα και τα ζώα σε απόσταση ασφαλείας από την περιοχή εργασίας.

(Εικ. 6) Προτού πραγματοποιήσετε εργασίες επισκευής ή συντήρησης, σταματήστε τον κινητήρα και αφαιρέστε το καλώδιο ανάφλεξης ηλεκτρονικής.

(Εικ. 7) Προειδοποίηση: Να διατηρείτε τα χέρια και τα πόδια σας μακριά από κινούμενα μέρη.

(Εικ. 8) Προειδοποίηση: Να διατηρείτε τα χέρια και τα πόδια σας μακριά από την περιστρεφόμενη λεπίδα.

(Εικ. 9) Αυτό το προϊόν συμμορφώνεται με τις ισχύουσες οδηγίες ΕΚ.

(Εικ. 10) Εκπομπές θορύβου στο περιβάλλον σύμφωνα με την ευρωπαϊκή οδηγία 2000/14/ΕΚ και τη νομοθεσία της Νέας Νότιας Ουαλίας για την "Προστασία των περιβαλλοντικών δράσεων (έλεγχος θορύβου), Κανονισμός 2017". Τα στοιχεία για τις εκπομπές θορύβου βρίσκονται στην ετικέτα του μηχανήματος και στο κεφάλαιο "Τεχνικά στοιχεία".

(Εικ. 11) Κωδικός με δυνατότητα σάρωσης.

Περιεχόμενα Άλλα σύμβολα/σήματα που υπάρχουν στο προϊόν αναφέρονται σε απαιτήσεις πιστοποίησης για ορισμένες εμπορικές περιοχές.

Σήμα στο προϊόν, μόνο για Αυστραλία και Νέα Ζηλανδία

(Εικ. 12)

Να διατηρείτε τα χέρια και τα πόδια σας μακριά από την περιστρεφόμενη λεπίδα.

Εκπομπές Euro V



ΠΡΟΕΙΔΟΠΟΙΗΣΗ: Οποιαδήποτε μη εξουσιοδοτημένη παρέμβαση στον

Ευθύνη προϊόντος

Όπως αναφέρεται στη νομοθεσία περί ευθύνης για τα προϊόντα, δεν φέρουμε καμία ευθύνη για ζημιές που οφείλονται στο προϊόν μας εάν:

- Το προϊόν έχει επισκευαστεί λανθασμένα.
- Το προϊόν έχει επισκευαστεί με εξαρτήματα που δεν προέρχονται από τον κατασκευαστή ή που δεν έχουν εγκριθεί από τον κατασκευαστή.
- Το προϊόν διαθέτει ένα αξεσουάρ που δεν προέρχεται από τον κατασκευαστή ή που δεν έχει εγκριθεί από τον κατασκευαστή.
- Το προϊόν δεν έχει επισκευαστεί σε εγκεκριμένο κέντρο σέρβις ή από εγκεκριμένη αρχή.

Ασφάλεια

Ορισμοί για την ασφάλεια

Για την επισήμανση ειδικών σημαντικών τμημάτων του εγχειριδίου χρησιμοποιούνται προειδοποιήσεις, συστάσεις προσοχής και σημειώσεις.



ΠΡΟΕΙΔΟΠΟΙΗΣΗ: Χρησιμοποιείται όταν υπάρχει κίνδυνος τραυματισμού ή θανάτου του χειριστή ή άλλων παριστάμενων ατόμων, αν δεν τηρηθούν οι οδηγίες που παρέχονται στο εγχειρίδιο.



ΠΡΟΣΟΧΗ: Χρησιμοποιείται όταν υπάρχει κίνδυνος πρόκλησης ζημιάς στο προϊόν, σε άλλα υλικά ή στον παρακείμενο χώρο, αν δεν τηρηθούν οι οδηγίες που παρέχονται στο εγχειρίδιο.

Περιεχόμενα Χρησιμοποιείται για παροχή περισσότερων πληροφοριών, οι οποίες χρειάζονται σε μια δεδομένη κατάσταση.

Γενικές οδηγίες ασφαλείας



ΠΡΟΕΙΔΟΠΟΙΗΣΗ: Προτού χρησιμοποιήσετε το προϊόν, διαβάστε τις παρακάτω προειδοποιητικές οδηγίες.

- Αυτό το προϊόν είναι επικίνδυνο αν δεν χρησιμοποιηθεί σωστά ή αν δεν είστε προσεκτικοί. Αν δεν τηρείτε τις οδηγίες ασφαλείας, μπορεί να προκληθεί τραυματισμός ή θάνατος.
- Αυτό το προϊόν παράγει ηλεκτρομαγνητικό πεδίο κατά τη λειτουργία του. Το πεδίο αυτό, υπό ορισμένες συνθήκες, μπορεί να προκαλέσει παρεμβολές σε ενεργά ή παθητικά ιατρικά εμφυτεύματα. Για να μειωθεί ο κίνδυνος σοβαρών ή

θανατηφόρων τραυματισμών, συνιστούμε στα άτομα με ιατρικά εμφυτεύματα να συμβουλευτούν το θεράποντα ιατρό τους και τον κατασκευαστή του ιατρικού εμφυτεύματος, προτού θέσουν το προϊόν σε λειτουργία.

- Πρέπει πάντα να προσέχετε και να χρησιμοποιείτε την κοινή λογική. Αν δεν είστε βέβαιοι πώς να χειριστείτε το προϊόν σε μια ιδιαίτερη κατάσταση, σταματήστε και μιλήστε με τον αντιπρόσωπο της Husqvarna προτού συνεχίσετε.
- Πρέπει να θυμάστε ότι ο χειριστής θεωρείται υπεύθυνος για ατυχήματα που μπορεί να προκληθούν σε άλλα άτομα ή στην περιουσία τους.
- Να διατηρείτε το προϊόν καθαρό. Βεβαιωθείτε ότι μπορείτε να διαβάσετε καθαρά τις ενδείξεις και τα σήματα.
- Μην επιτρέπετε σε κανένα άτομο να χρησιμοποιήσει το προϊόν αν δεν βεβαιωθείτε ότι έχει διαβάσει και κατανοήσει τα περιεχόμενα του εγχειριδίου χρήσης.
- Μην επιτρέψετε σε παιδιά να χρησιμοποιήσουν το προϊόν.
- Μην αφήνετε να πλησιάσουν παιδιά στην περιοχή εργασίας. Πρέπει να είναι παρών ένας υπεύθυνος ενήλικας ανά πάσα στιγμή.
- Μην επιτρέψετε σε άτομα που δεν έχουν διαβάσει τις οδηγίες να χρησιμοποιήσουν το προϊόν.
- Αν το προϊόν χρησιμοποιείται από ένα άτομο με μειωμένη σωματική ή διανοητική ικανότητα, θα πρέπει πάντα να το επιβλέπετε. Πρέπει να είναι παρών ένας υπεύθυνος ενήλικας ανά πάσα στιγμή.
- Μην χρησιμοποιείτε το προϊόν αν είστε κουρασμένοι, άρρωστοι ή υπό την επήρεια αλκοόλ, ναρκωτικών ή φαρμάκων. Αυτά έχουν αρνητικές συνέπειες στην όραση, την αυτοσυγκέντρωση, τον συντονισμό και την κρίση σας.
- Μην χρησιμοποιείτε το προϊόν αν είναι ελαττωματικό.

- Μην τροποποιείτε το προϊόν και μην το χρησιμοποιείτε αν είναι εμφανές ότι έχει τροποποιηθεί από άλλους.
- Μην αλλάζετε τη ρύθμιση του χειριστηρίου στροφών κινητήρα.

Ασφάλεια στο χώρο εργασίας



ΠΡΟΕΙΔΟΠΟΙΗΣΗ: Προτού χρησιμοποιήσετε το προϊόν, διαβάστε τις παρακάτω προειδοποιητικές οδηγίες.

- Αφαιρέστε αντικείμενα όπως κλαδιά, κλωνάρια και πέτρες από την περιοχή εργασίας πριν χρησιμοποιήσετε το προϊόν.
- Τα αντικείμενα που χτυπούν πάνω στον εξοπλισμό κοπής μπορεί να πεταχτούν και να προκαλέσουν ζημιές σε πρόσωπα και αντικείμενα. Να διατηρείτε τους παρευρισκόμενους και τα ζώα σε απόσταση ασφαλείας από το προϊόν.
- Μην χρησιμοποιείτε ποτέ το προϊόν σε κακές καιρικές συνθήκες, όπως ομίχλη, βροχή, ισχυρό άνεμο, έντονο κρύο και κίνδυνο κεραυνού. Η χρήση του προϊόντος σε κακές καιρικές συνθήκες, σε συνθήκες υγρασίας ή σε υγρές τοποθεσίες είναι εξαιρετικά κουραστική. Οι κακές καιρικές συνθήκες μπορεί να προκαλέσουν επικίνδυνες καταστάσεις, όπως ολισθηρές επιφάνειες.
- Να προσέχετε για πρόσωπα, αντικείμενα και καταστάσεις που μπορεί να αποτρέψουν την ασφαλή λειτουργία του προϊόντος.
- Να προσέχετε για εμπόδια, όπως ρίζες, πέτρες, κλωνάρια, λακκούβες και χαντάκια. Το μακρύ γρασίδι μπορεί να κρύβει εμπόδια.
- Η κοπή χόρτου σε πλαγιές μπορεί να είναι επικίνδυνη. Μην χρησιμοποιείτε το προϊόν σε πλαγιές με κλίση πάνω από 15°.
- Να κατευθύνετε το προϊόν κατά πλάτος στις επιφάνειες με κλίση. Να μην μετακινείστε προς τα πάνω και προς τα κάτω.
- Να είστε ιδιαίτερα προσεκτικοί κοντά σε κρυφές γωνίες και αντικείμενα που εμποδίζουν το οπτικό σας πεδίο.
- Μην εκκινείτε ποτέ τον κινητήρα μέσα σε κλειστό χώρο ή κοντά σε εύφλεκτα υλικά. Τα καυσέeria του κινητήρα είναι ζεστά και ενδέχεται να έχουν σπινθήρες που μπορεί να προκαλέσουν πυρκαγιά.
- Μην λειτουργείτε το προϊόν αν δεν είναι σωστά συνδεδεμένη η λεπίδα και όλα τα καλύμματα. Αν η λεπίδα δεν είναι σωστά συνδεδεμένη, μπορεί να χαλαρώσει και να προκληθεί προσωπικός τραυματισμός.
- Να βεβαιώσετε ότι ο δίσκος δεν χτυπάει αντικείμενα, όπως πέτρες και ρίζες. Αυτό μπορεί να κάνει ζημιά στη λεπίδα και να λυγίσει τον άξονα του κινητήρα. Ο λυγισμένος άξονας προκαλεί ισχυρή δόνηση και πολύ υψηλό κίνδυνο χαλάρωσης της λεπίδας.
- Σε περίπτωση πρόσκρουσης της λεπίδας σε αντικείμενο ή αν διαπιστώσετε κραδασμούς, διακόψτε αμέσως τη λειτουργία του προϊόντος. Αφαιρέστε το καλώδιο ανάφλεξης από το μπουζί. Ελέγξτε το προϊόν για ζημιές. Επισκευάστε τις ζημιές ή αναθέστε την επισκευή σε έναν εξουσιοδοτημένο αντιπρόσωπο σέρβις.
- Μην συνδέετε ποτέ μόνιμα τη λαβή φρένου κινητήρα στη χειρολαβή κατά την εκκίνηση του κινητήρα.
- Τοποθετήστε το προϊόν σε μια σταθερή, επίπεδη επιφάνεια και εκκινήστε το. Να βεβαιώσετε ότι η λεπίδα δεν χτυπάει στο έδαφος ή σε άλλα αντικείμενα.
- Να παραμένετε πάντα πίσω από το προϊόν κατά τη λειτουργία.
- Κατά τη λειτουργία του προϊόντος, θα πρέπει όλοι οι τροχοί να ακουμπούν στο έδαφος και να διατηρείτε και τα 2 χέρια πάνω στη λαβή. Διατηρήστε τα χέρια και τα πόδια σας μακριά από τις περιστρεφόμενες λεπίδες.
- Μην γέροντε το προϊόν όταν εκκινείται ο κινητήρας.
- Να είστε προσεκτικοί όταν τραβάτε το προϊόν προς τα πίσω.
- Να μην ανασηκώνετε ποτέ το προϊόν όταν εκκινείται ο κινητήρας. Αν πρέπει να ανασηκώσετε το προϊόν, σβήστε πρώτα τον κινητήρα και αποσυνδέστε το καλώδιο ανάφλεξης από το μπουζί.
- Να μην περπατάτε προς τα πίσω όταν χρησιμοποιείτε το προϊόν.
- Να σβήνεται τον κινητήρα όταν μετακινείστε σε περιοχές χωρίς χόρτα, για παράδειγμα μονοπάτια από χαλίκι, πέτρα και ασφάλτο.
- Μην τρέχετε με το προϊόν όταν εκκινείται ο κινητήρας. Να περπατάτε πάντα προς τα εμπρός όταν χρησιμοποιείτε το προϊόν.
- Να σβήνεται τον κινητήρα προτού αλλάξετε το ύψος κοπής. Μην προβείτε ποτέ σε τροποποιήσεις με τον κινητήρα σε λειτουργία.
- Μην αφήνετε ποτέ το προϊόν εκτός ορατότητας με τον κινητήρα σε λειτουργία. Να σβήνεται τον κινητήρα και να βεβαιώσετε ότι το παρακείμενο κοπή δεν περιστρέφεται.

Ασφάλεια στην εργασία



ΠΡΟΕΙΔΟΠΟΙΗΣΗ: Προτού χρησιμοποιήσετε το προϊόν, διαβάστε τις παρακάτω προειδοποιητικές οδηγίες.

- Να χρησιμοποιείτε το προϊόν μόνο για την κοπή χόρτου γκαζόν. Δεν επιτρέπεται η χρήση του για άλλες εργασίες.
- Χρησιμοποιείτε ατομικό προστατευτικό εξοπλισμό. Ανατρέξτε στην ενότητα *Προσωπικός εξοπλισμός προστασίας στη σελίδα 72*.
- Βεβαιωθείτε ότι γνωρίζετε πώς να σταματήσετε τον κινητήρα γρήγορα σε περίπτωση έκτακτης ανάγκης.

Οδηγίες ασφαλείας για τη λειτουργία

Προσωπικός εξοπλισμός προστασίας



ΠΡΟΕΙΔΟΠΟΙΗΣΗ: Προτού χρησιμοποιήσετε το προϊόν, διαβάστε τις παρακάτω προειδοποιητικές οδηγίες.

- Ο προσωπικός εξοπλισμός προστασίας δεν μπορεί να εξαλείψει τον κίνδυνο τραυματισμών, ωστόσο μειώνει τη σοβαρότητά τους σε περίπτωση ατυχήματος. Ο αντιπρόσωπος θα σας βοηθήσει να επιλέξετε το σωστό εξοπλισμό.
- Να χρησιμοποιείτε προστατευτικά ακοής, εάν το επίπεδο θορύβου είναι υψηλότερο από 85 dB.
- Να χρησιμοποιείτε αντιολισθητικές μπότες ή παπούτσια βαρέος τύπου. Να μην χρησιμοποιείτε το προϊόν με ανοιχτά παπούτσια ή ξυπόλυτοι.
- Χρησιμοποιήστε χοντρά, μακριά παντελόνια.
- Όταν χρειάζεται, να χρησιμοποιείτε προστατευτικά γάντια, για παράδειγμα κατά την τοποθέτηση, την επιθεώρηση ή τον καθαρισμό του εξοπλισμού κοπής.

Συσκευές ασφαλείας στο προϊόν



ΠΡΟΕΙΔΟΠΟΙΗΣΗ: Προτού χρησιμοποιήσετε το προϊόν, διαβάστε τις παρακάτω προειδοποιητικές οδηγίες.

- Μην χρησιμοποιείτε ποτέ το προϊόν, αν υπάρχουν ελαττωματικές συσκευές ασφαλείας.
- Πρέπει να κάνετε τακτικά έλεγχο των συσκευών ασφαλείας. Αν οι συσκευές ασφαλείας είναι ελαττωματικές, απευθυνθείτε στον αντιπρόσωπο σέρβις της Husqvarna.

Για τον έλεγχο του καλύμματος κοπής

Το κάλυμμα κοπής μειώνει τους κραδασμούς στο προϊόν και μειώνεται ο κίνδυνος τραυματισμού από τη λεπίδα.

- Εξετάστε το κάλυμμα κοπής για να βεβαιωθείτε ότι δεν υπάρχουν φθορές όπως ρωγμές.

Έλεγχος του προστατευτικού ιμάντα

Το προστατευτικό ιμάντα μειώνει τον κίνδυνο τραυματισμού και αποτρέπει την εκτίναξη ενός σπασμένου ιμάντα μετάδοσης κίνησης.

- Βεβαιωθείτε ότι το προστατευτικό ιμάντα δεν έχει υποστεί ζημιές και ότι έχει τοποθετηθεί σωστά. (Εικ. 13)

Για τον έλεγχο του προστατευτικού ιμάντα

Το προστατευτικό ιμάντα μειώνει τον κίνδυνο τραυματισμού και αποτρέπει την εκτίναξη ενός σπασμένου ιμάντα μετάδοσης κίνησης.

- Βεβαιωθείτε ότι το προστατευτικό ιμάντα δεν έχει υποστεί ζημιές και ότι έχει τοποθετηθεί σωστά. (Εικ. 14)

Λαβή φρένου κινητήρα

Η λαβή του φρένου κινητήρα σταματάει τον κινητήρα. Όταν απελευθερωθεί η λαβή του φρένου κινητήρα, ο κινητήρας σταματάει.

Για να γίνει επιθεώρηση του φρένου κινητήρα, εκκινήστε τον κινητήρα και στη συνέχεια απελευθερώστε τη λαβή του φρένου κινητήρα. Αν ο κινητήρας δεν σταματά σε 3 δευτερόλεπτα, αναθέστε τη ρύθμιση του φρένου κινητήρα σε έναν εγκεκριμένο αντιπρόσωπο σέρβις Husqvarna.

(Εικ. 15)

Για τον έλεγχο του συστήματος απόσβεσης κραδασμών



ΠΡΟΕΙΔΟΠΟΙΗΣΗ: Η υπερέκθεση σε κραδασμούς μπορεί να προκαλέσει πρόβλημα στο κυκλοφορικό ή νευρικό σύστημα σε άτομα με κακή κυκλοφορία του αίματος. Εάν αισθανθείτε ότι έχετε συμπτώματα υπερέκθεσης σε κραδασμούς, ζητήστε ιατρική βοήθεια. Αυτά τα συμπτώματα περιλαμβάνουν μούδιασμα, απώλεια αισθήσεων, τσιμπήματα, σουβλιές, πόνο, μυϊκή ατονία και αλλαγές στο χρώμα ή την κατάσταση του δέρματος. Τα συμπτώματα αυτά συνήθως εμφανίζονται στα δάχτυλα, τις παλάμες ή τους καρπούς.

Το σύστημα απόσβεσης κραδασμών μειώνει τους κραδασμούς στη λαβή κατά τη λειτουργία.

Ο χαλύβδινος σωλήνας στη χειρολαβή και το κάλυμμα κοπής μειώνουν τους κραδασμούς. Επίσης, το KLIPPO LB 548S ε διαθέτει 4 μονάδες απόσβεσης κραδασμών στη χειρολαβή.

- Ελέγξτε τη χειρολαβή και τις μονάδες απόσβεσης κραδασμών της λεπίδας. Η φθορά υποδεικνύει ότι δεν έχουν ζημιές. (Εικ. 16)

Στήριγμα λεπίδας

Το στήριγμα της λεπίδας μειώνει τον κίνδυνο λυγίσματος του άξονα του κινητήρα. Αν η λεπίδα χτυπήσει σε κάποιο αντικείμενο, μετακινείται προς το στήριγμά της. Η μετακίνηση προκαλεί φθορά στην επιφάνεια του στηρίγματος της λεπίδας. Η φθορά υποδεικνύει ότι το προστατευτικό του άξονα του κινητήρα λειτουργεί σωστά.

Εξάτμιση (σιγαστήρας)

Η εξάτμιση (σιγαστήρας) διατηρεί τα επίπεδα θορύβου στο ελάχιστο και κατευθύνει τις αναθυμιάσεις της εξάτμισης μακριά από το χειριστή.

Μην χρησιμοποιείτε το προϊόν, αν η εξάτμιση (σιγαστήρας) λείπει ή είναι ελαττωματική. Αν η εξάτμιση

(σιγαστήρας) είναι ελαττωματική, αυξάνεται το επίπεδο θορύβου και ο κίνδυνος φωτιάς.



ΠΡΟΕΙΔΟΠΟΙΗΣΗ: Η εξάτμιση (σιγαστήρας) θερμαίνεται πολύ κατά τη διάρκεια της χρήσης και παραμένει θερμή μετά τη χρήση, καθώς και όταν ο κινητήρας λειτουργεί στο ρελαντί. Προσέχετε όταν κινείστε κοντά σε εύφλεκτα υλικά ή/και αναθυμιάσεις, για να αποφύγετε την εκδήλωση πυρκαγιάς.

Έλεγχος της εξάτμισης (σιγαστήρας)

- Πρέπει να εξετάζετε την εξάτμιση (το σιγαστήρα) τακτικά, για να βεβαιωθείτε ότι είναι σωστά συνδεδεμένη και δεν έχει υποστεί ζημία.

Ασφάλεια καυσίμου



ΠΡΟΕΙΔΟΠΟΙΗΣΗ: Προτού χρησιμοποιήσετε το προϊόν, διαβάστε τις παρακάτω προειδοποιητικές οδηγίες.

- Μην θέτετε το προϊόν σε λειτουργία, εάν υπάρχει καύσιμο ή λάδι κινητήρα στο προϊόν. Αφαιρέστε το ανεπιθύμητο καύσιμο/λάδι και αφήστε το προϊόν να στεγνώσει.
- Εάν χύσετε καύσιμο στα ρούχα σας, αλλάξτε τα αμέσως.
- Μην χύσετε καύσιμο στο σώμα σας, καθώς μπορεί να προκληθεί τραυματισμός. Αν χύσετε καύσιμο στο σώμα σας, χρησιμοποιήστε σαπούνι και νερό για να αφαιρέσετε το καύσιμο.
- Μην θέτετε το προϊόν σε λειτουργία, εάν ο κινητήρας έχει διαρροή. Εξετάζετε τακτικά τον κινητήρα για διαρροές.
- Να είστε προσεκτικοί με το καύσιμο. Το καύσιμο είναι εύφλεκτο και οι αναθυμιάσεις είναι εκρηκτικές και μπορούν να προκαλέσουν τραυματισμό ή θάνατο.
- Μην εισπνεύσετε τις αναθυμιάσεις καυσίμου, καθώς μπορεί να προκληθεί τραυματισμός. Βεβαιωθείτε ότι υπάρχει επαρκής ροή αέρα.
- Μην καπνίζετε κοντά στο καύσιμο ή τον κινητήρα.
- Μην τοποθετείτε ζεστά αντικείμενα κοντά στο καύσιμο ή τον κινητήρα.
- Μην προσθέτετε καύσιμο όταν λειτουργεί ο κινητήρας.
- Βεβαιωθείτε ότι ο κινητήρας έχει κρυώσει πριν από τον ανεφοδιασμό.
- Πριν από τον ανεφοδιασμό, ανοίξτε αργά την τάπα του ντεπόζιτου καυσίμου και εκτονώστε προσεκτικά την πίεση.

- Μην προσθέτετε καύσιμο στον κινητήρα σε εσωτερικό χώρο. Η αναπνευστική ροή αέρα μπορεί να προκαλέσει τραυματισμό ή θάνατο λόγω ασφυξίας ή μονοξειδίου του άνθρακα.
- Να σφίγγετε πλήρως την τάπα του ντεπόζιτου καυσίμου. Αν η τάπα του ντεπόζιτου καυσίμου δεν είναι σφικμένη, υπάρχει κίνδυνος πυρκαγιάς.
- Πριν από την εκκίνηση, μετακινήστε το προϊόν σε απόσταση τουλάχιστον 3 m / 10 ft από το σημείο όπου γεμίσατε το ντεπόζιτο.
- Μην γεμίζετε ποτέ εντελώς το ντεπόζιτο καυσίμου. Η υψηλή θερμοκρασία προκαλεί διαστολή του καυσίμου. Αφήνετε κενό στο επάνω μέρος του ντεπόζιτου.

Οδηγίες ασφαλείας για τη συντήρηση



ΠΡΟΕΙΔΟΠΟΙΗΣΗ: Προτού χρησιμοποιήσετε το προϊόν, διαβάστε τις παρακάτω προειδοποιητικές οδηγίες.

- Οι αναθυμιάσεις της εξάτμισης από τον κινητήρα περιέχουν μονοξείδιο του άνθρακα, ένα άοσμο, δηλητηριώδες και ιδιαίτερα επικίνδυνο αέριο. Να μην εκκινείτε τον κινητήρα σε εσωτερικούς ή κλειστούς χώρους.
- Πριν πραγματοποιήσετε συντήρηση στο προϊόν, σβήστε τον κινητήρα και αποσυνδέστε το καλώδιο ανάφλεξης από το μπουζί.
- Να χρησιμοποιείτε προστατευτικά γάντια όταν κάνετε συντήρηση του εξοπλισμού κοπής. Η λεπίδα είναι πολύ κοφτερή και μπορεί εύκολα να κοπείτε.
- Τα αξεσουάρ και οι τροποποιήσεις στο προϊόν που δεν είναι εγκεκριμένες από τον κατασκευαστή, μπορεί να προκαλέσουν σοβαρό τραυματισμό ή θάνατο. Να μην πραγματοποιείτε αλλαγές στο προϊόν. Να χρησιμοποιείτε μόνο εξαρτήματα που έχουν εγκριθεί από τον κατασκευαστή.
- Αν η συντήρηση δεν γίνεται σωστά και τακτικά, αυξάνεται ο κίνδυνος τραυματισμού και ζημιάς στο προϊόν.
- Να πραγματοποιείτε μόνο τις εργασίες συντήρησης όπως δίνονται σε αυτό το εγχειρίδιο κατόχου. Όλες οι άλλες εργασίες συντήρησης πρέπει να γίνονται από εγκεκριμένο αντιπρόσωπο σέρβις Husqvarna.
- Να αναθέτετε τη συντήρηση του προϊόντος σε έναν εγκεκριμένο αντιπρόσωπο σέρβις Husqvarna σε τακτά χρονικά διαστήματα.
- Να αντικαθιστάτε τυχόν κατεστραμμένα, φθαρμένα ή σπασμένα εξαρτήματα.

Συναρμολόγηση

Εισαγωγή



ΠΡΟΕΙΔΟΠΟΙΗΣΗ: Προτού συναρμολογήσετε το προϊόν, πρέπει να διαβάσετε και να κατανοήσετε το κεφάλαιο για την ασφάλεια.



ΠΡΟΕΙΔΟΠΟΙΗΣΗ: Αφαιρέστε το καλώδιο του μπουζί από το μπουζί πριν τη συναρμολόγηση του προϊόντος.

Συναρμολόγηση και ρύθμιση λαβής

1. Αφαιρέστε το παξιμάδι της λαβής και τη ροδέλα από την πλάκα της πάνω λαβής.
2. Τοποθετήστε την πάνω λαβή στο πάνω μέρος της κάτω λαβής.



ΠΡΟΣΟΧΗ: Βεβαιωθείτε ότι τα καλώδια δεν έχουν πιαστεί ή υποστεί ζημιά.

3. Τοποθετήστε τη ροδέλα και το παξιμάδι της λαβής. (Εικ. 17)
4. Κατά τη λειτουργία του προϊόντος κοντά σε τοίχους, γυρίστε τη λαβή στο πλάι για να επιτύχετε μια καλή θέση λειτουργίας. (Εικ. 18)
5. Γυρίστε τους τροχούς ρύθμισης στο σασί για να ρυθμίσετε τη λαβή σε κάθετη θέση. (Εικ. 19)

Συναρμολόγηση του πώματος χορτολιπάσματος KLIPPO LB 448S, KLIPPO LB 548S e

1. Γείρετε το προϊόν προς τα πίσω με το μπουζί προς τα επάνω.
2. Τοποθετήστε τους πείρους του πώματος χορτολιπάσματος στις οπές από την εσωτερική πλευρά του καλύμματος κοπής. (Εικ. 20)
3. Βιδώστε τις βίδες του πώματος χορτολιπάσματος από την εξωτερική πλευρά του καλύμματος κοπής. (Εικ. 21)

Λειτουργία

Εισαγωγή



ΠΡΟΕΙΔΟΠΟΙΗΣΗ: Προτού χρησιμοποιήσετε το προϊόν, πρέπει να διαβάσετε και να κατανοήσετε το κεφάλαιο για την ασφάλεια.

Husqvarna Connect

Η Husqvarna Connect είναι μια δωρεάν εφαρμογή για τη φορητή συσκευή σας. Η εφαρμογή Husqvarna Connect παρέχει εκτεταμένες λειτουργίες για το προϊόν σας Husqvarna:

- Περισσότερες πληροφορίες για το προϊόν.
- Πληροφορίες και βοήθεια για τα ανταλλακτικά και το σέρβις του προϊόντος.

Για να αρχίσετε να χρησιμοποιείτε το προϊόν Husqvarna Connect

1. Κατεβάστε την εφαρμογή Husqvarna Connect στη φορητή συσκευή σας.
2. Εγγραφείτε στην εφαρμογή Husqvarna Connect.
3. Ακολουθήστε τα βήματα με τις οδηγίες που θα βρείτε στην εφαρμογή Husqvarna Connect για να συνδέσετε και να δηλώσετε το προϊόν.

Πριν χρησιμοποιήσετε το προϊόν

1. Διαβάστε το εγχειρίδιο χρήσης προσεκτικά και βεβαιωθείτε ότι έχετε κατανοήσει τις οδηγίες.
2. Εξετάστε τον εξοπλισμό κοπής για να βεβαιωθείτε ότι είναι σωστά συνδεδεμένος και ρυθμισμένος. Ανατρέξτε στην ενότητα *Για να ελέγξετε τον εξοπλισμό κοπής στη σελίδα 77*.
3. Γεμίστε το ντεπόζιτο καυσίμου. Ανατρέξτε στην ενότητα *Ανεφοδιασμός με καύσιμο στη σελίδα 74*.
4. Γεμίστε το ντεπόζιτο λαδιού και κάντε έναν έλεγχο της στάθμης λαδιού. Ανατρέξτε στην ενότητα *Έλεγχος της στάθμης λαδιού στη σελίδα 78*.

Ανεφοδιασμός με καύσιμο

Αν διατίθεται, χρησιμοποιήστε βενζίνη χαμηλών εκπομπών/αλκυλίωσης. Σε περίπτωση που δεν είναι διαθέσιμη βενζίνη χαμηλών εκπομπών/αλκυλίωσης, χρησιμοποιήστε καλής ποιότητας αμόλυβδη βενζίνη ή βενζίνη με μόλυβδο με αριθμό οκτανίων όχι μικρότερο από 90.



ΠΡΟΣΟΧΗ: Μην χρησιμοποιείτε βενζίνη με αριθμό οκτανίων κάτω από 90 RON (87 AKI). Μπορεί να προκληθεί ζημιά στο προϊόν.

1. Ανοίξτε αργά την τάπα του ντεπόζιτου καυσίμου για να εκτονώσετε την πίεση.

2. Γεμίστε αργά με ένα δοχείο καυσίμων. Αν χύσετε καύσιμο, καθαρίστε το με ένα πανί και αφήστε το καύσιμο που απομένει να στεγνώσει.
3. Καθαρίστε την περιοχή γύρω από την τάπα του ντεπόζιτου καυσίμου.
4. Να σφίγγετε πλήρως την τάπα του ντεπόζιτου καυσίμου. Αν η τάπα του ντεπόζιτου καυσίμου δεν είναι σφραγισμένη, υπάρχει κίνδυνος πυρκαγιάς.
5. Πριν από την εκκίνηση, μετακινήστε το προϊόν σε απόσταση τουλάχιστον 3 m (10 ft) από το σημείο όπου γεμίσατε το ντεπόζιτο.

Ρύθμιση του ύψους κοπής

Το ύψος κοπής μπορεί να ρυθμιστεί σε 6 διαφορετικές θέσεις.

1. Μετακινήστε τον μοχλό ύψους κοπής προς τα εμπρός για να αυξήσετε το ύψος κοπής.
2. Μετακινήστε τον μοχλό ύψους κοπής προς τα πίσω για να μειώσετε το ύψος κοπής.



ΠΡΟΣΟΧΗ: Μην ρυθμίζετε το ύψος κοπής πολύ χαμηλά. Οι λεπίδες μπορεί να χτυπήσουν στο έδαφος αν η επιφάνεια του χλοοτάπητα δεν είναι επίπεδη.

Εκκίνηση του προϊόντος

1. Βεβαιωθείτε ότι το καλώδιο ανάφλεξης είναι συνδεδεμένο στο μπουζί.
2. Ανοίξτε τη βαλβίδα καυσίμου. (Εικ. 22)
3. Να παραμένετε πίσω από το προϊόν.
4. Κρατήστε τη λαβή του φρένου κινητήρα προς τη χειρολαβή. (Εικ. 23)
5. Πιάστε τη λαβή του κορδονιού εκκίνησης με το δεξί σας χέρι.
6. Τραβήξτε αργά έξω το κορδόνι της μίζας μέχρι να αισθανθείτε κάποια αντίσταση.
7. Τραβήξτε δυνατά για να εκκινήσει ο κινητήρας.



ΠΡΟΕΙΔΟΠΟΙΗΣΗ: Μην τυλίγεται ποτέ το σχοινί της τροχαλίας του συστήματος εκκίνησης γύρω από το χέρι σας.

Συντήρηση

Εισαγωγή



ΠΡΟΕΙΔΟΠΟΙΗΣΗ: Προτού εκτελέσετε εργασίες συντήρησης, πρέπει να διαβάσετε και να κατανοήσετε το κεφάλαιο για την ασφάλεια.

Για όλες τις εργασίες συντήρησης και επισκευής στο προϊόν, είναι απαραίτητη ειδική εκπαίδευση. Μπορούμε να εγγυηθούμε για τη διαθεσιμότητα των



ΠΡΟΣΟΧΗ: Μην τεντώνετε εντελώς το σχοινί εκκίνησης. Μην αφήνετε τη λαβή του σχοινού εκκίνησης όταν είναι τεντωμένο.

Χρήση της κίνησης στους τροχούς

- Σπρώξτε τον λεβιέ μετάδοσης κίνησης προς τα κάτω. (Εικ. 24)
- Προτού τραβήξετε το προϊόν προς τα πίσω, αποσυνδέστε τον μηχανισμό μετάδοσης κίνησης και σπρώξτε το προϊόν προς τα εμπρός κατά περίπου 10εκ.
- Απελευθερώστε ελαφρώς τη λαβή του φρένου κινητήρα για να αποσυνπλέξετε το σύστημα μετάδοσης κίνησης, όταν βρίσκεστε π.χ. κοντά σε κάποιο εμπόδιο.

Απενεργοποίηση προϊόντος

- Για να απενεργοποιήσετε μόνο το σύστημα μετάδοσης κίνησης, απελευθερώστε ελαφρώς τη λαβή του φρένου κινητήρα.
- Για να απενεργοποιήσετε τον κινητήρα, απελευθερώστε πλήρως τη λαβή του φρένου κινητήρα.
- Κλείστε τη βαλβίδα καυσίμου. (Εικ. 25)

Για ένα καλό αποτέλεσμα

- Να χρησιμοποιείτε πάντα μια ακονισμένη λεπίδα. Η στομωμένη λεπίδα δίνει ένα ακανόνιστο αποτέλεσμα και η επιφάνεια κοπής του γρασιδιού γίνεται κίτρινη. Επίσης, η ακονισμένη λεπίδα χρησιμοποιεί λιγότερη ενέργεια από μια στομωμένη λεπίδα.
- Να μην κόβετε ποτέ πάνω από το 1/3 του μήκους του γρασιδιού. Να κόβετε πρώτα με το ύψος κοπής ρυθμισμένο σε υψηλό. Εξετάστε το αποτέλεσμα και χαμηλώστε το ύψος κοπής σε κατάλληλο επίπεδο. Αν το γρασίδι είναι πολύ μακρύ, οδηγήστε αργά και κόψτε 2 φορές, αν είναι απαραίτητο.
- Να κόβετε κάθε φορά σε διαφορετικές κατευθύνσεις για να αποφεύγετε τις ρίγες στο γκαζόν.

επαγγελματικών επισκευών και τη συντήρηση. Αν ο αντιπρόσωπός σας δεν είναι αντιπρόσωπος σέρβις, μιλήστε του για πληροφορίες σχετικά με τον πλησιέστερο αντιπρόσωπο σέρβις.

Πρόγραμμα συντήρησης

Τα διαστήματα συντήρησης υπολογίζονται με βάση την καθημερινή χρήση του προϊόντος. Τα διαστήματα αλλάζουν αν το προϊόν δεν χρησιμοποιείται καθημερινά.

Για τις εργασίες συντήρησης που προσδιορίζονται με *,
βλ. οδηγίες στην ενότητα *Συσκευές ασφαλείας στο
προϊόν στη σελίδα 72.*

Συντήρηση	Καθημερινά	Κάθε εβδομάδα	Κάθε μήνα
Εκτέλεση γενικής επιθεώρησης	X		
Έλεγχος της στάθμης λαδιού	X		
Καθαρισμός του προϊόντος	X		
Καθαρισμός του φίλτρου αέρα	X		
Έλεγχος του εξοπλισμού κοπής	X		
Έλεγχος του καλύμματος κοπής*	X		
Έλεγχος λαβής του φρένου κινητήρα*	X		
Έλεγχος της εξάτμισης (σιγαστήρα)*		X	
Έλεγχος του μπουζί		X	
Έλεγχος ιμάντα μετάδοσης κίνησης για ζημιές			X
Καθαρισμός του περιβλήματος γραναζιών			X
Αλλαγή λαδιού (την πρώτη φορά μετά από 5 ώρες χρήσης, έπειτα μετά από κάθε 25 ώρες χρήσης ετησίως)			X
Αντικαταστήστε το φίλτρο αέρα			X
Έλεγχος του συστήματος καυσίμου			X
Έλεγχος και προσαρμογή της κίνησης (ντίζα συμπλέκτη)			X

Εκτέλεση γενικής επιθεώρησης

- Βεβαιωθείτε ότι όλα τα παξιμάδια και οι βίδες πάνω στο προϊόν είναι σφιγμένα σωστά.

Για να καθαρίσετε εξωτερικά το προϊόν

- Χρησιμοποιήστε μια βούρτσα για να αφαιρέσετε φύλλα, γρασίδι και ακαθαρσίες.
- Βεβαιωθείτε ότι η εισαγωγή αέρα στο επάνω μέρος του κινητήρα δεν είναι φραγμένη.
- Μην χρησιμοποιείτε σύστημα πλύσης με υψηλή πίεση για να καθαρίσετε το προϊόν.
- Αν χρησιμοποιείτε νερό για να καθαρίσετε το προϊόν, μην ρίχνετε νερό απευθείας επάνω στον κινητήρα.

Για να καθαρίσετε την εσωτερική επιφάνεια του καλύμματος κοπής

- Τοποθετήστε το προϊόν στο πλάι με την εξάτμιση (σιγαστήρα) προς τα κάτω.



ΠΡΟΣΟΧΗ: Αν το προϊόν τοποθετηθεί με το φίλτρο αέρα προς τα κάτω, ο κινητήρας μπορεί να υποστεί ζημιά.

- Ξεπλύνετε την εσωτερική επιφάνεια του καλύμματος κοπής ρίχνοντας νερό προς τα κάτω με ένα λάστιχο.

Έλεγχος ιμάντα μετάδοσης κίνησης και καθαρισμός του περιβλήματος γραναζιών

- Αφαιρέστε τις 4 βίδες από το προστατευτικό ιμάντα και βγάλτε το προστατευτικό ιμάντα. (Εικ. 26)
- Ελέγξτε τον ιμάντα μετάδοσης κίνησης και την τροχαλία ιμάντα για τυχόν ζημιές.
- Χρησιμοποιήστε μια βούρτσα για να αφαιρέσετε τα φύλλα, το γρασίδι και τις ακαθαρσίες από το περίβλημα του κιβωτίου ταχυτήτων. (Εικ. 27)

Αντικατάσταση και ρύθμιση του ιμάντα μετάδοσης κίνησης

- Αφαιρέστε τις 4 βίδες από το προστατευτικό ιμάντα και βγάλτε το προστατευτικό ιμάντα. (Εικ. 26)
- Τοποθετήστε ένα πλακέ κατασβίδι μεταξύ του καλύμματος και του τροχού στον εμπρόσθιο δεξιό τροχό του προϊόντος.
- Γυρίστε προσεκτικά το κατασβίδι για να αφαιρέσετε το κάλυμμα.

- Ξεβιδώστε τη βίδα του τροχού και αφαιρέστε τον τροχό. (Εικ. 28)
- Αφαιρέστε τον ιμάντα μετάδοσης κίνησης από τις τροχαλίες ιμάντα.
- Βεβαιωθείτε ότι οι τροχαλίες ιμάντα μετακινούνται εύκολα επάνω στον άξονα.
- Εάν χρειάζεται, ψεκάστε με αντισκωριακό λάδι ανάμεσα και πίσω από τις τροχαλίες ιμάντα και λιπάνετε τον άξονα.
- Τοποθετήστε έναν καινούργιο ιμάντα μετάδοσης κίνησης και στερεώστε τον σωστά στο ρουλεμάν προτού τον ρυθμίσετε. (Εικ. 29)
- Μετακινήστε το ρουλεμάν προς τα επάνω ή προς τα κάτω για να ρυθμίσετε τον ιμάντα μετάδοσης κίνησης. (Εικ. 30)

Περιεχόμενα Ένας καινούργιος ιμάντας μετάδοσης κίνησης επιμηκύνεται μετά τη χρήση. Ρυθμίστε ξανά τον ιμάντα μετάδοσης κίνησης μετά από μερικές ώρες λειτουργίας.

- Τοποθετήστε το προστατευτικό ιμάντα.
- Θέστε το προϊόν σε λειτουργία για να βεβαιωθείτε ότι ο ιμάντας μετάδοσης κίνησης έχει τοποθετηθεί και ρυθμιστεί σωστά.

Αντικατάσταση και ρύθμιση κεντρικού ιμάντα

- Αφαιρέστε τη λεπίδα.

Περιεχόμενα Αυτό το βήμα δεν είναι απαραίτητο όταν απλώς ρυθμίζετε τον κεντρικό ιμάντα.

- Χαλαρώστε τις βίδες ρύθμισης κατά μερικές περιστροφές, αλλά μην τις αφαιρέσετε. (Εικ. 31)
- Αντικαταστήστε τον κεντρικό ιμάντα και σφίξτε ελαφρώς τις βίδες ρύθμισης.

Περιεχόμενα Αυτό το βήμα δεν είναι απαραίτητο όταν απλώς ρυθμίζετε τον κεντρικό ιμάντα.

- Μετακινήστε το γρανάζι προς τα εμπρός ή προς τα πίσω για να ρυθμίσετε τον κεντρικό ιμάντα. (Εικ. 32)
- Χρησιμοποιήστε μια φορητή ζυγαριά με γάντζο για να ελέγξετε την τάνση του κεντρικού ιμάντα. Ο ιμάντας έχει τενωθεί σωστά όταν μπορεί να μετακινήσει 6–10 mm στο κέντρο. Αυτό αντιστοιχεί σε τράβηγμα 3 kg. (Εικ. 33)
- Σφίξτε εντελώς τις βίδες ρύθμισης με ροπή 3 Nm.
- Θέστε το προϊόν σε λειτουργία για να βεβαιωθείτε ότι ο ιμάντας μετάδοσης κίνησης έχει τοποθετηθεί και ρυθμιστεί σωστά.

Για να ελέγξετε τον εξοπλισμό κοπής



ΠΡΟΕΙΔΟΠΟΙΗΣΗ: Για να αποτρέψετε ακούσια εκκίνηση, αφαιρέστε το καλώδιο ανάφλεξης από το μπουζί.



ΠΡΟΕΙΔΟΠΟΙΗΣΗ: Να χρησιμοποιείτε προστατευτικά γάντια όταν κάνετε συντήρηση του εξοπλισμού κοπής. Η λεπίδα είναι πολύ κοφτερή και μπορεί εύκολα να κοπείτε.

- Ελέγξτε τον εξοπλισμό κοπής για ζημιές ή ρωγμές. Πρέπει πάντα να αντικαθιστάτε τον εξοπλισμό κοπής, αν έχει υποστεί ζημιά.
- Κοιτάξτε τη λεπίδα για να δείτε εάν είναι φθαρμένη ή στομαμένη.

Περιεχόμενα Είναι απαραίτητο να ζυγοσταθμιστεί η λεπίδα μετά το ακόνισμα. Να αναθέτετε το ακόνισμα, την αντικατάσταση και τη ζυγοστάθμιση της λεπίδας σε ένα κέντρο σέρβις. Αν χτυπήσετε κάποιο εμπόδιο και σταματήσει το προϊόν, αντικαταστήστε τη φθαρμένη λεπίδα. Το κέντρο σέρβις θα αξιολογήσει αν η λεπίδα μπορεί να ακονιστεί ή πρέπει να αντικατασταθεί.

Για να αντικαταστήσετε τη λεπίδα

- Ασφαλίστε τη λεπίδα με έναν ξύλινο τάκο. (Εικ. 34)
- Αφαιρέστε τη βίδα της λεπίδας, τη ροδέλα του ελατηρίου και τη λεπίδα. (Εικ. 35)
- Ελέγξτε το στήριγμα της λεπίδας και τη βίδα της λεπίδας για τυχόν ζημιές.
 - Αν αντικαταστήσετε τη λεπίδα ή το στήριγμα της λεπίδας, αντικαταστήστε και τη βίδα της λεπίδας, τη ροδέλα του ελατηρίου και τη ροδέλα τριβής.
- Εξετάστε τον άξονα του κινητήρα για να βεβαιωθείτε ότι δεν είναι λυγισμένος.
- Κατά την τοποθέτηση της καινούργιας λεπίδας, βεβαιωθείτε ότι τα λυγισμένα άκρα είναι στραμμένα προς το κάλυμμα κοπής. (Εικ. 36)
- Τοποθετήστε τη ροδέλα τριβής και τη λεπίδα πάνω στο στήριγμα της λεπίδας. (Εικ. 37)
- Βεβαιωθείτε ότι η λεπίδα έχει ευθυγραμμιστεί με το κέντρο του άξονα του κινητήρα. (Εικ. 38)
- Ασφαλίστε τη λεπίδα με έναν ξύλινο τάκο. (Εικ. 39)
- Τοποθετήστε τη ροδέλα του ελατηρίου και σφίξτε τη βίδα με ροπή 80 Nm. (Εικ. 40)
- Περιστρέψτε τη λάμα με το χέρι και βεβαιωθείτε ότι μπορεί να περιστραφεί χωρίς προβλήματα.



ΠΡΟΕΙΔΟΠΟΙΗΣΗ: Πρέπει να χρησιμοποιείτε προστατευτικά γάντια. Η λεπίδα είναι πολύ κοφτερή και μπορεί εύκολα να κοπείτε.

11. Εκκινήστε το προϊόν για να δοκιμάσετε τη λεπίδα. Αν η λεπίδα δεν είναι σωστά συνδεδεμένη, θα υπάρχουν κραδασμοί στο προϊόν ή το αποτέλεσμα κοπής δεν θα είναι ικανοποιητικό.

Έλεγχος της στάθμης λαδιού



ΠΡΟΣΟΧΗ: Το πολύ χαμηλό επίπεδο λαδιού μπορεί να προκαλέσει βλάβη στον κινητήρα. Να κάνετε έλεγχο της στάθμης λαδιού πριν από την εκκίνηση του προϊόντος.

1. Τοποθετήστε το προϊόν σε οριζόντιο έδαφος.
2. Κλείστε τη βαλβίδα καυσίμου.
3. Αφαιρέστε το καπάκι του νεποζίτου λαδιού με τον συνδεδεμένο δείκτη στάθμης.
4. Καθαρίστε το λάδι από το δείκτη στάθμης.
5. Τοποθετήστε τον δείκτη στάθμης στο νεποζίτο λαδιού, αλλά μην σφίξετε την τάπα του νεποζίτου λαδιού.
6. Αφαιρέστε το δείκτη στάθμης.
7. Εξετάστε τη στάθμη λαδιού πάνω στο δείκτη στάθμης.
8. Αν η στάθμη του λαδιού είναι χαμηλή, συμπληρώστε με λάδι κινητήρα και ελέγξτε ξανά τη στάθμη λαδιού. Η στάθμη του λαδιού είναι σωστή όταν βρίσκεται στην επάνω ένδειξη του δείκτη στάθμης.

Αντικατάσταση λαδιού του κινητήρα



ΠΡΟΕΙΔΟΠΟΙΗΣΗ: Το λάδι του κινητήρα είναι πολύ καυτό αμέσως μετά το σβήσιμο του κινητήρα. Αφήστε τον κινητήρα να κρυώσει προτού αδειάσετε το λάδι του κινητήρα. Αν πέσει λάδι κινητήρα στο δέρμα σας, καθαρίστε το με σαπούνι και νερό.

1. Λειτουργήστε το προϊόν μέχρι να αδειάσει το νεποζίτο καυσίμου.
2. Αφαιρέστε το καλώδιο της μίζας από το μπουζί.
3. Αφαιρέστε την τάπα νεποζίτου λαδιού.
4. Τοποθετήστε ένα δοχείο κάτω από το προϊόν για να συλλέξετε το λάδι του κινητήρα.
5. Γείρετε το προϊόν για να αδειάσετε το λάδι του κινητήρα από το νεποζίτο λαδιού.
6. Γεμίστε με καινούργιο λάδι κινητήρα που έχει τον προτεινόμενο τύπο στο *Τεχνικά στοιχεία στη σελίδα 79*.
7. Ελέγξτε τη στάθμη λαδιού. Ανατρέξτε στην ενότητα *Έλεγχος της στάθμης λαδιού στη σελίδα 78*.

Καθαρισμός του φίλτρου αέρα



ΠΡΟΣΟΧΗ: Μην θέτετε σε λειτουργία τον κινητήρα εάν το φίλτρο αέρα δεν έχει τοποθετηθεί ή εάν το φίλτρο αέρα είναι βρόμικο.



ΠΡΟΣΟΧΗ: Αντικαταστήστε το φίλτρο αέρα εάν δεν μπορεί να καθαριστεί εντελώς ή αν έχει υποστεί ζημιά. Ένα ελαττωματικό φίλτρο αέρα μπορεί να προκαλέσει ζημιά στον κινητήρα.

1. Πιέστε τις γλωττίδες ασφάλισης (A), αφαιρέστε το κάλυμμα του φίλτρου αέρα (B) και βγάλτε το φίλτρο αέρα (C). (Εικ. 41)
2. Χτυπήστε το φίλτρο αέρα σε μια σκληρή επιφάνεια ή διοχετεύστε πεπιεσμένο αέρα μέσα στο φίλτρο αέρα από την καθαρή πλευρά του φίλτρου αέρα.



ΠΡΟΣΟΧΗ: Μην χρησιμοποιήσετε βούρτσες για να απομακρύνετε τη βρωμιά, καθώς με αυτόν τον τρόπο η βρωμιά ωθείται μέσα στο φίλτρο αέρα.

3. Καθαρίστε τη βάση του φίλτρου αέρα (D) και το κάλυμμα του φίλτρου αέρα με ένα υγρό πανί.



ΠΡΟΣΟΧΗ: Βεβαιωθείτε ότι δεν έχει εισχωρήσει βρομιά στον αεραγωγό (E).

4. Εγκαταστήστε το φίλτρο αέρα. Βεβαιωθείτε ότι το φίλτρο αέρα εφαρμόζει ερμητικά πάνω στη βάση του.
5. Τοποθετήστε το κάλυμμα του φίλτρου αέρα φροντίζοντας να ακουμπήσουν πρώτα οι κάτω γλωττίδες.

Για να εξετάσετε το μπουζί



ΠΡΟΣΟΧΗ: Χρησιμοποιείτε πάντα τον συνιστώμενο τύπο μπουζί. Η χρήση λάθος τύπου μπουζί μπορεί να προκαλέσει ζημιά στο προϊόν.

- Αν ο κινητήρας έχει χαμηλή ισχύ, δεν εκκινεί ή εύκολα ή δεν λειτουργεί σωστά στο ρελαντί, ελέγξτε το μπουζί.
- Για να μειώσετε τον κίνδυνο συσσωρευσης ανεπιθύμητων υλικών στα ηλεκτρόδια του μπουζί, ακολουθήστε τις παρακάτω οδηγίες:
 - a) Βεβαιωθείτε ότι οι στροφές ανά λεπτό ρελαντί έχουν ρυθμιστεί σωστά.
 - b) Βεβαιωθείτε ότι το μίγμα καυσίμου είναι σωστό.
 - c) Βεβαιωθείτε ότι το φίλτρο αέρα είναι καθαρό.

- Αν το μπουζί είναι βρόμικο, καθαρίστε το και βεβαιωθείτε ότι το διάκενο του ηλεκτροδίου είναι σωστό, ανατρέξτε στην ενότητα *Τεχνικά στοιχεία στη σελίδα 79*. (Εικ. 42)
- Αν χρειάζεται, αντικαταστήστε το μπουζί.

Για να ελέγξετε το σύστημα καυσίμου

- Ελέγξτε την τάπα του ντεπόζιτου καυσίμου και την τσιμούχα στεγανότητας της τάπας του ντεπόζιτου καυσίμου για να βεβαιωθείτε ότι δεν υπάρχουν φθορές.
- Ελέγξτε το σωλήνα καυσίμου για να βεβαιωθείτε ότι δεν υπάρχουν διαρροές. Αν ο σωλήνας καυσίμου έχει υποστεί φθορά, αναθέστε την αντικατάστασή του σε έναν αντιπρόσωπο σέρβις.

Για να ρυθμίζετε την ντίζα του συμπλέκτη

Αν νιώθετε αργή την κίνηση, είναι απαραίτητο να ρυθμίσετε την ντίζα του συμπλέκτη.

- Γυρίστε τη βίδα ρύθμισης. (Εικ. 43)

Το καλώδιο του συμπλέκτη έχει ρυθμιστεί σωστά όταν το μπρακέτο του καλωδίου συμπλέκτη έχει ευθυγραμμιστεί με το παξιμάδι.

(Εικ. 44)

Μεταφορά, αποθήκευση και απόρριψη

Μεταφορά και αποθήκευση

- Για την αποθήκευση και τη μεταφορά του προϊόντος και του καυσίμου, βεβαιωθείτε ότι δεν υπάρχουν διαρροές ή αναθυμιάσεις. Τυχόν σπινθήρες ή ακάλυπτες φλόγες, για παράδειγμα από ηλεκτρικές συσκευές ή λέβητες, μπορεί να προκαλέσουν πυρκαγιά.
- Να χρησιμοποιείτε πάντα εγκεκριμένα δοχεία για την αποθήκευση και τη μεταφορά των καυσίμων.
- Να αδειάζετε το ντεπόζιτο καυσίμου πριν την αποθήκευση του προϊόντος για μεγάλο χρονικό διάστημα. Να απορρίπτετε το καύσιμο σε μια κατάλληλη τοποθεσία απόρριψης
- Να στερεώνετε με ασφάλεια το προϊόν κατά τη μεταφορά για να αποφεύγετε βλάβες και ατυχήματα.

- Να διατηρείτε το προϊόν σε μια κλειδωμένη περιοχή για να αποτρέψετε την πρόσβαση σε παιδιά ή μη εγκεκριμένα άτομα.
- Να διατηρείτε το προϊόν σε μια περιοχή στεγνή και χωρίς πάγο.

Απόρριψη

- Πρέπει να συμμορφώσετε με τις τοπικές απαιτήσεις ανακύκλωσης και τους ισχύοντες κανονισμούς.
- Πετάξτε όλα τα χημικά, όπως το λάδι κινητήρα ή το καύσιμο, σε ένα κέντρο σέρβις ή σε μια κατάλληλη τοποθεσία απόρριψης.
- Όταν το προϊόν δεν είναι πλέον σε χρήση, στείλτε το σε έναν αντιπρόσωπο Husqvarna ή απορρίψτε το σε μια τοποθεσία ανακύκλωσης.

Τεχνικά στοιχεία

Τεχνικά στοιχεία

	KLIPPO LB 448S	KLIPPO LB 453S	KLIPPO LB 548S e
Κινητήρας			
Επωνυμία	Honda	Honda	Honda
Κυβισμός, cm ³	145	166	166
Ταχύτητα, σ.α.λ.	2900	2900	2900
Ονομαστική απόδοση ισχύος κινητήρα, kW ²⁶	2.7	3,3	3,3

²⁶ Η ονομαστική ισχύς του εν λόγω κινητήρα είναι η μέση ωφέλιμη ισχύς (σε συγκεκριμένες στροφές κινητήρα) ενός τυπικού κινητήρα παραγωγής για το μοντέλο του κινητήρα μετρομένης βάσει του προτύπου SAE J1349/ISO1585. Οι κινητήρες μαζικής παραγωγής μπορεί να διαφέρουν από την τιμή αυτή. Η πραγματική ωφέλιμη ισχύς του κινητήρα που τοποθετείται στο τελικό προϊόν εξαρτάται από την ταχύτητα λειτουργίας, τις συνθήκες του περιβάλλοντος και άλλες τιμές.

	KLIPPO LB 448S	KLIPPO LB 453S	KLIPPO LB 548S e
Σύστημα ανάφλεξης			
Μπουζί	NGK BPR5ES	NGK BPR5ES	NGK BPR5ES
Διάκενο ηλεκτροδίου, mm	0,7–0,8	0,7–0,8	0,7–0,8
Σύστημα καυσίμου και λίπανσης			
Χωρητικότητα ντεπόζιτου καυσίμου, λίτρα	0,9	0,9	0,9
Χωρητικότητα δοχείου λαδιού, λίτρα	0,55	0,5	0,55
Λάδι κινητήρα ²⁷	SAE 10W-30	SAE 10W-30	SAE 10W-30
Βάρος			
Με κενά ντεπόζιτα, kg	30,5	33	32,5
Εκπομπές θορύβου ²⁸			
Στάθμη ηχητικής ισχύος, μετρούμενη τιμή σε dB (A)	90	91	90
Στάθμη ηχητικής ισχύος, εγγυημένη, L _{WA} σε dB (A)	91	94	91
Στάθμες ήχου ²⁹			
Στάθμη ηχητικής πίεσης στο αυτί του χειριστή, σε dB (A)	77	78	78
Επίπεδα κραδασμών, θηνεα ³⁰			
Λαβή, m/s ²	4,5	5,3	4,8
Εξοπλισμός κοπής			
Ύψος κοπής, mm	30-60	30-60	30-60
Πλάτος κοπής, mm	480	530	480
Λεπίδα	Χορτολίπασμα - 48 cm 5028813-10	Χορτολίπασμα - 53 cm 5028814-10	Χορτολίπασμα - 48 cm 5028813-10
Προσπέραση			
Ταχύτητα, km/h	4.5	4.5	4.5

²⁷ Χρησιμοποιείτε λάδι κινητήρα ποιότητας SG–SH. Ανατρέξτε στο διάγραμμα ιξώδους στο εγχειρίδιο του κατασκευαστή κινητήρα και επιλέξτε το καλύτερο ιξώδες με βάση την αναμενόμενη εξωτερική θερμοκρασία.

²⁸ Οι εκπομπές θορύβου στο περιβάλλον, οι οποίες μετρούνται ως ηχητική ισχύς (L_{WA}), σε συμμόρφωση με την Οδηγία 2000/14/ΕΚ.

²⁹ Στάθμη πίεσης θορύβου σύμφωνα με το πρότυπο ISO 5395. Τα καταγεγραμμένα στοιχεία για τη στάθμη πίεσης θορύβου έχουν τυπική στατιστική διασπορά (τυπική απόκλιση) 1,2 dB(A).

³⁰ Επίπεδο κραδασμών σύμφωνα με το πρότυπο ISO 5395. Τα καταγεγραμμένα στοιχεία για τη στάθμη κραδασμών έχουν τυπική στατιστική διασπορά (τυπική απόκλιση) της τάξης του 0,2 m/s².

Δήλωση Συμμόρφωσης ΕΚ

Δήλωση Συμμόρφωσης ΕΚ

Η **Husqvarna AB**, SE-561 82 Huskvarna, Σουηδία, τηλ.: +46-36-146500, δηλώνει ότι τα **χλοοκοπτικά γκαζόν Husqvarna KLIPPO LB 448S, KLIPPO LB 453S, KLIPPO LB 548S e** με αριθμό σειράς 2020xxxxxxx και έπειτα, πληρούν τις προϋποθέσεις της ΟΔΗΓΙΑΣ του ΣΥΜΒΟΥΛΙΟΥ:

- με ημερομηνία 17 Μαΐου 2006 "σχετικά με τα μηχανήματα" **2006/42/EK**
- με ημερομηνία 26 Φεβρουαρίου 2014 "σχετικά με την ηλεκτρομαγνητική συμβατότητα" **2014/30/EE**
- με ημερομηνία 8 Μαΐου 2000 "περί εκπομπών θορύβου στο περιβάλλον" **2000/14/EK**
- της 8ης Ιουνίου 2011 "σχετικά με τον περιορισμό της χρήσης ορισμένων επικίνδυνων ουσιών σε είδη ηλεκτρικού και ηλεκτρονικού εξοπλισμού" **2011/65/EE**

Για πληροφορίες σχετικά με τις εκπομπές θορύβου, βλ. την ενότητα "Τεχνικά στοιχεία".

Εφαρμόστηκαν τα ακόλουθα πρότυπα:

EN ISO 5395-1, EN ISO 5395-2, EN ISO 5395-2 Amd1, EN ISO 5395-2 Amd 2, EN 55012, EN 50581:2012

Αν δεν ορίζεται διαφορετικά, τα παραπάνω πρότυπα αντιστοιχούν στις πιο πρόσφατες δημοσιευμένες εκδόσεις.

Κοινοποιημένος φορέας: **0404, RISE SMP Svensk Maskinprovning AB, Box 7035, SE-750 07 Uppsala** : έχει εκδώσει αναφορές σχετικά με την αξιολόγηση της συμμόρφωσης σύμφωνα με το παράρτημα VI της Οδηγίας του Ευρωπαϊκού συμβουλίου 2000/14/EK της 8ης Μαΐου 2000 "σχετικά με τις εκπομπές θορύβου στο περιβάλλον".

Huskvarna, 2020-09-16



Claes Losdal, Διευθυντής ανάπτυξης/Προϊόντα κήπου
(Εξουσιοδοτημένος αντιπρόσωπος της Husqvarna AB
και υπεύθυνος για την τεχνική τεκμηρίωση)

Contenido

Introducción.....	82	Mantenimiento.....	88
Seguridad.....	83	Transporte, almacenamiento y eliminación.....	92
Montaje.....	86	Datos técnicos.....	92
Funcionamiento.....	87	Declaración de conformidad CE.....	94

Introducción

Descripción del producto

El producto es un cortacésped giratorio conducido a pie que utiliza BioClip® para cortar la hierba y convertirla en fertilizante.

Descripción del producto

(Fig. 1)

1. Manillar
2. Palanca del freno del motor
3. Palanca de control
4. Empuñadura de la cuerda de arranque
5. Tapón del depósito de aceite
6. Protección de la correa
7. Silenciador
8. Bujía
9. Protección de la correa
10. Depósito de combustible
11. Palanca de ajuste del ángulo de la empuñadura
12. Sistema amortiguador de vibraciones
13. Ajuste del cable del embrague
14. Empuñadura inferior
15. Palanca de la altura de corte
16. Válvula de combustible
17. Filtro de aire
18. Cubierta del equipo de corte
19. Arandela elástica
20. Tornillo de la cuchilla
21. Cuchilla
22. Soporte de cuchilla
23. Tapón del triturador (KLIPPO LB 448S, KLIPPO LB 548S e)
24. Manual de usuario

Símbolos que aparecen en el producto

(Fig. 2) **ADVERTENCIA:** Su uso descuidado o erróneo puede provocar lesiones o la muerte al operador o a otras personas.

(Fig. 3) Lea detenidamente el manual de usuario y asegúrese de que entiende las instrucciones antes de usar la máquina.

Uso previsto

Utilice el producto para cortar hierba. No utilice el producto para otras tareas.

(Fig. 4) Tenga cuidado con los objetos lanzados o rebotados.

(Fig. 5) Mantenga a las personas y animales a una distancia de seguridad respecto a la zona de trabajo.

(Fig. 6) Detenga el motor y quite el cable de encendido antes de realizar tareas de mantenimiento o reparación.

(Fig. 7) **Advertencia:** Mantenga alejados las manos y los pies de las piezas giratorias.

(Fig. 8) **Advertencia:** Mantenga alejados las manos y los pies de la cuchilla giratoria.

(Fig. 9) Este producto cumple con las directivas CE vigentes.

(Fig. 10) Emisiones sonoras en el entorno conformes con la directiva europea 2000/14/CE y con la regulación de 2017 de la legislación de Nueva Gales del Sur sobre protección del medio ambiente (control de ruidos), "Protection of the Environment Operations - Noise Control". Los datos sobre las emisiones sonoras se pueden encontrar en la etiqueta de la máquina y en el capítulo Datos técnicos.

(Fig. 11) Código escaneable.

Nota: Los demás símbolos/etiquetas que aparecen en el producto corresponden a requisitos de homologación específicos de algunas zonas comerciales.

Etiqueta en el producto, solo para Australia y Nueva Zelanda

(Fig. 12)

Mantenga alejados las manos y los pies de la cuchilla giratoria.

Emisiones Euro V



ADVERTENCIA: La manipulación del motor anula la homologación de la UE de este producto.

Responsabilidad sobre el producto

Como se estipula en las leyes de responsabilidad del producto, no nos hacemos responsables de los daños y perjuicios causados por nuestro producto si:

- El producto se ha reparado incorrectamente.
- El producto se ha reparado con piezas que no eran del fabricante o no autorizadas por el fabricante.
- El producto tiene un accesorio que no es del fabricante o no está autorizado por este.
- El producto no se ha reparado en un centro de servicio autorizado o por un organismo homologado.

Seguridad

Definiciones de seguridad

Las advertencias, precauciones y notas se utilizan para destacar información especialmente importante del manual.



ADVERTENCIA: Indica un riesgo de lesiones o incluso de muerte del usuario o de las personas cercanas si no se respetan las instrucciones del manual.



PRECAUCIÓN: Indica un riesgo de daños en el producto, otros materiales o el área adyacente si no se respetan las instrucciones del manual.

Nota: Se usa para proporcionar más información necesaria en una situación determinada.

Instrucciones generales de seguridad



ADVERTENCIA: Lea las siguientes instrucciones de advertencia antes de utilizar el producto.

- Este producto es una herramienta peligrosa si se usa incorrectamente o si no se tiene cuidado. Puede causar lesiones graves o incluso la muerte si no siguen las instrucciones de seguridad.
- Este producto genera un campo electromagnético durante el funcionamiento. Este campo magnético puede, en determinadas circunstancias, interferir con implantes médicos activos o pasivos. Para reducir el riesgo de que se den condiciones que provocarían lesiones graves o letales, las personas que utilizan implantes médicos deben consultar con su médico y con el fabricante del implante antes de poner en marcha este producto.
- Proceda siempre con cuidado y utilice siempre el sentido común. Si no está seguro de cómo manejar el producto en una situación especial, pare y

consulte con su distribuidor Husqvarna antes de continuar.

- Debe tenerse en cuenta que el operador será responsable de los accidentes que involucren a otras personas o a su propiedad.
- Mantenga el producto limpio. Asegúrese de que puede leer claramente las etiquetas.
- No permita que nadie utilice el producto a menos que se asegure de que haya leído y comprendido el contenido del manual de usuario.
- No deje que un niño maneje el producto.
- Mantenga a los niños alejados de la zona de trabajo. Debe haber presente en todo momento una persona mayor de edad responsable.
- No permita que nadie maneje el producto sin conocer las instrucciones.
- Si una persona con discapacidad física o mental usa el producto, asegúrese de supervisarla en todo momento. Debe haber presente en todo momento una persona mayor de edad responsable.
- No utilice el producto si está cansado, enfermo o si se encuentra bajo los efectos de alcohol, drogas o medicamentos. Esto tiene un efecto negativo en su visión, vigilancia, coordinación y capacidad de decisión.
- No utilice el producto si está defectuoso.
- No modifique este producto ni lo utilice si puede haber sido modificado por otras personas.
- No cambie el ajuste del régimen del motor.

Seguridad en el área de trabajo



ADVERTENCIA: Lea las siguientes instrucciones de advertencia antes de utilizar el producto.

- Retire objetos tales como ramas, palos y piedras de la zona de trabajo antes de usar el producto.
- Los objetos que chocan contra el equipo de corte pueden salir despedidos y causar daños a personas y objetos. Mantenga a las personas y los animales a una distancia de seguridad respecto al producto.

- No utilice el producto en condiciones climáticas desfavorables, como niebla, lluvia, viento fuerte, frío intenso y riesgo de relámpagos. El uso del producto en condiciones climáticas desfavorables o en entornos húmedos o mojados produce mucho cansancio. El mal tiempo puede causar condiciones peligrosas, como superficies resbaladizas.
- Preste atención a las personas, objetos y situaciones que puedan impedir el funcionamiento seguro del producto.
- Tenga cuidado con los posibles obstáculos, como raíces, piedras, ramas, hoyos y zanjas. El césped crecido puede esconder obstáculos.
- Cortar el césped en pendientes puede resultar peligroso. No utilice el producto en pendientes de más de 15°.
- Utilice el producto a lo largo de las laderas de las pendientes. No se desplace hacia arriba y hacia abajo.
- Tenga cuidado cuando se acerque a esquinas y objetos escondidos que puedan bloquear su campo de visión.

Seguridad en el trabajo



ADVERTENCIA: Lea las siguientes instrucciones de advertencia antes de utilizar el producto.

- Utilice este producto para cortar solamente césped. No está permitido utilizar el producto para otras tareas.
- Utilice el equipo de protección personal. Consulte la sección *Equipo de protección personal en la página 84*.
- Asegúrese de que saber cómo detener el motor rápidamente en caso de emergencia.
- Nunca arranque el motor en un espacio cerrado ni cerca de materiales inflamables. Los gases de escape del motor están calientes y pueden contener chispas que pueden provocar un incendio.
- No utilice el producto a menos que la cuchilla y todas las cubiertas estén fijadas correctamente. Una cuchilla fijada incorrectamente puede soltarse y provocar daños personales.
- Asegúrese de que la cuchilla no golpea ningún objeto, como piedras y raíces. Esto puede causar daños a la cuchilla y doblar el eje del motor. Un eje doblado causa vibraciones excesivas y un riesgo muy alto de que la cuchilla se suelte.
- Si la cuchilla choca con algún objeto o si se producen vibraciones, pare el producto inmediatamente. Desconecte el cable de encendido de la bujía. Examine el producto para comprobar si presenta daños. Repare los daños o lleve el producto a un taller de servicio autorizado para realizar la reparación.
- No acople la maneta del freno del motor permanentemente al mango cuando el motor esté encendido.

- Ponga el producto en una superficie plana y estable, y arránquelo. Asegúrese de que la cuchilla no entre en contacto con el suelo u otros objetos.
- Manténgase siempre detrás del producto durante su uso.
- Mientras utilice el producto, mantenga todas las ruedas apoyadas en el suelo y las dos manos en el manillar. Mantenga alejados las manos y los pies de las cuchillas giratorias.
- No incline el producto con el motor en marcha.
- Tenga cuidado cuando tire del producto hacia atrás.
- Nunca levante el producto con el motor en marcha. Si tiene que levantar el producto, primero apague el motor y desconecte el cable de encendido de la bujía.
- No camine hacia atrás mientras utiliza el producto.
- Detenga el motor cuando se desplace por áreas sin hierba, por ejemplo, caminos de grava, piedra y asfalto.
- No corra con el producto con el motor en marcha. Camine siempre mientras utiliza el producto.
- Detenga el motor antes de cambiar la altura de corte. Nunca realice ajustes con el motor en marcha.
- No deje el producto desatendido con el motor en marcha. Pare el motor y asegúrese de que el equipo de corte no gire.

Instrucciones de seguridad para el funcionamiento

Equipo de protección personal



ADVERTENCIA: Lea las siguientes instrucciones de advertencia antes de utilizar el producto.

- El equipo de protección personal no elimina completamente el riesgo de lesiones, pero reduce la gravedad de las lesiones en caso de accidente. Deje que el distribuidor le ayude a seleccionar el equipo adecuado.
- Utilice protectores auriculares si el nivel de ruido es superior a 85 dB.
- Utilice botas o zapatos de trabajo antideslizantes. No utilice calzado abierto ni vaya descalzo.
- Utilice pantalones largos gruesos.
- Utilice guantes protectores cuando sea necesario, por ejemplo, para el montaje, inspección o limpieza del equipo de corte.

Dispositivos de seguridad en el producto



ADVERTENCIA: Lea las siguientes instrucciones de advertencia antes de utilizar el producto.

- No utilice un producto que tenga dispositivos de seguridad defectuosos.

- Realice una comprobación de los dispositivos de seguridad con frecuencia. Si los dispositivos de seguridad están defectuosos, hable con su taller de servicio Husqvarna.

Comprobación de la cubierta del equipo de corte

La cubierta del equipo de corte disminuye las vibraciones en el producto y el riesgo de lesiones provocadas por la cuchilla.

- Examine la cubierta de corte para asegurarse de que no haya daños como, por ejemplo, grietas.

Comprobación de la protección de la correa

La protección de la correa reduce el riesgo de lesiones y garantiza que si se rompe la correa de transmisión no saldrá disparada.

- Asegúrese de que la protección de la correa no está deteriorada y que está fijada correctamente. (Fig. 13)

Comprobación de la protección de la correa

La protección de la correa reduce el riesgo de lesiones y garantiza que si se rompe la correa de transmisión no saldrá disparada.

- Asegúrese de que la protección de la correa no está deteriorada y que está fijada correctamente. (Fig. 14)

Palanca del freno del motor

La maneta del freno del motor detiene el motor. Cuando se suelta la maneta del freno del motor, el motor se para.

Para realizar una inspección del freno del motor, arranque el motor y luego suelte la maneta del freno del motor. Si el motor no se detiene en 3 segundos, lleve el producto a un taller de servicio Husqvarna autorizado para realizar el ajuste del freno del motor.

(Fig. 15)

Comprobación del sistema amortiguador de vibraciones



ADVERTENCIA: La sobreexposición a las vibraciones puede provocar problemas circulatorios y daños en las terminaciones nerviosas, especialmente en personas con patologías circulatorias. Acuda a un médico si nota síntomas que puedan relacionarse con la sobreexposición a las vibraciones. Ejemplos de estos síntomas son: entumecimiento, pérdida de sensibilidad, hormigueo, pinchazos, dolor, pérdida de fuerza, y cambios en el color o la superficie de la piel. Estos síntomas se presentan normalmente en dedos, manos y muñecas.

El sistema amortiguador de vibraciones disminuye la vibración en el manillar cuando se utiliza el producto.

El tubo de acero del manillar y la cubierta del equipo de corte están diseñados para reducir las vibraciones. KLIPPO LB 548S e dispone también de 4 unidades de amortiguación fijadas al manillar.

- Examine el manillar y los amortiguadores de vibraciones para asegurarse de que no estén dañados. (Fig. 16)

Soporte de cuchilla

El soporte de cuchilla disminuye el riesgo de que el eje del motor se doble. Si la cuchilla golpea contra un objeto, el disco se mueve contra el soporte de la cuchilla. El movimiento produce desgaste en la superficie del soporte de la cuchilla. El desgaste muestra que la protección del eje del motor funciona correctamente.

Silenciador

El silenciador mantiene al mínimo los niveles de ruido y aparta los gases de escape del operador.

No utilice el producto si el silenciador no está instalado o está defectuoso. Un silenciador defectuoso aumenta el nivel de ruido y el riesgo de incendio.



ADVERTENCIA: El silenciador se calienta mucho durante y después de su uso, y cuando el motor funciona a ralentí. Tenga cuidado cerca de materiales inflamables o gases para evitar incendios.

Comprobación del silenciador

- Examine el silenciador con frecuencia para asegurarse de que está montado correctamente y que no está dañado.

Seguridad en el uso del combustible



ADVERTENCIA: Lea las siguientes instrucciones de advertencia antes de utilizar el producto.

- No arranque el producto si está manchado con combustible o aceite del motor. Retire el combustible/aceite no deseado y deje secar el producto.
- Si derrama combustible sobre la ropa, cámbiese inmediatamente.
- Evite el contacto con el combustible; puede provocarle lesiones. Si entra en contacto con el combustible, utilice agua y jabón para eliminar el combustible.
- No arranque el motor si el producto tiene una fuga. Examine frecuentemente si hay fugas en el motor.

- Tenga cuidado con el combustible. El combustible es inflamable, sus vapores son explosivos y puede provocar lesiones o la muerte.
- No inhale los vapores de combustible, ya que pueden causar lesiones. Asegúrese de que hay ventilación suficiente.
- No fume cerca del combustible o el motor.
- No coloque objetos calientes cerca del combustible o el motor.
- No agregue el combustible con el motor encendido.
- Asegúrese de que el motor esté frío antes repostar.
- Antes de repostar, abra la tapa del depósito de combustible lentamente y deje salir el exceso de presión con cuidado.
- No añada combustible al motor en interiores. Una circulación de aire insuficiente puede causar lesiones o la muerte por asfixia o inhalación de monóxido de carbono.
- Apriete el tapón del depósito de combustible completamente. Si el tapón del depósito de combustible no se aprieta, existe riesgo de incendio.
- Antes de arrancar el producto, llévalo a 3 m (10 pies) de distancia como mínimo del punto en el que llenó el depósito.
- No llene el depósito de combustible por completo. El calor hace que el combustible se expanda. Deje espacio en la parte superior del depósito de combustible.
- Los gases de escape del motor contienen monóxido de carbono, que es un gas inodoro, tóxico y muy peligroso. No arranque el motor en interiores ni en espacios cerrados.
- Antes de realizar el mantenimiento del producto, detenga el motor y desconecte el cable de encendido de la bujía.
- Utilice guantes protectores cuando realice el mantenimiento del equipo de corte. La cuchilla está muy afilada y se pueden producir cortes con mucha facilidad.
- Los accesorios y modificaciones en el producto que no estén aprobados por el fabricante pueden causar daños graves o la muerte. No modifique el producto. Utilice siempre accesorios autorizados por el fabricante.
- Si el mantenimiento no se realiza correctamente y de forma regular, aumenta el riesgo de lesiones y daños en el producto.
- Realice únicamente las tareas de mantenimiento que se indican en este manual del propietario. Todos los demás trabajos de mantenimiento deben llevarse a cabo en un taller de servicio Husqvarna autorizado.
- Lleve el producto a un taller de servicio Husqvarna autorizado para realizar el mantenimiento de forma regular.
- Cambie las piezas dañadas, desgastadas o rotas.

Instrucciones de seguridad para el mantenimiento



ADVERTENCIA: Lea las siguientes instrucciones de advertencia antes de utilizar el producto.

Montaje

Introducción



ADVERTENCIA: Antes de montar el producto, debe leer y entender el capítulo sobre seguridad.



ADVERTENCIA: Retire el cable de la bujía antes de montar el producto.

Para montar y ajustar el manillar

1. Retire la tuerca de la empuñadura y la arandela de la placa del manillar superior.
2. Coloque la empuñadura superior en su sitio en la parte superior del mango inferior.



PRECAUCIÓN: Asegúrese de que los cables no están atrapados ni se han dañado.

3. Fije la arandela y la tuerca de la empuñadura. (Fig. 17)
4. Gire la palanca hacia un lado para una buena posición de manejo cuando utilice el producto cerca de una pared. (Fig. 18)
5. Gire las ruedas de ajuste del chasis para ajustar verticalmente el manillar. (Fig. 19)

Montaje del accesorio triturador KLIPPO LB 448S, KLIPPO LB 548S e

1. Incline el producto hacia atrás con la bujía hacia arriba.

- Coloque los pasadores del accesorio triturador en los orificios por la parte interior de la cubierta de corte. (Fig. 20)

- Fije los tornillos del accesorio triturador por el lado exterior de la cubierta de corte. (Fig. 21)

Funcionamiento

Introducción



ADVERTENCIA: Antes de utilizar el producto, debe leer y entender el capítulo sobre seguridad.

Husqvarna Connect

Husqvarna Connect es una aplicación gratuita para su dispositivo móvil. La aplicación Husqvarna Connect proporciona más funciones para su producto Husqvarna:

- Información ampliada sobre el producto.
- Información y asistencia sobre piezas y mantenimiento de productos.

Para empezar a utilizar Husqvarna Connect

- Descargue la aplicación Husqvarna Connect en su dispositivo móvil.
- Registre una cuenta en la aplicación Husqvarna Connect.
- Siga las instrucciones de la aplicación Husqvarna Connect para conectarse y registrar el producto.

Antes de utilizar el producto

- Lea detenidamente el manual de usuario y asegúrese de que entiende las instrucciones.
- Examine el equipo de corte para asegurarse de que está conectado y ajustado correctamente. Consulte *Para inspeccionar el equipo de corte en la página 90*.
- Llene el depósito de combustible. Consulte *Repostaje de combustible en la página 87*.
- Llene el depósito de aceite y realice una comprobación del nivel de aceite. Consulte *Para realizar una comprobación del nivel de aceite en la página 90*.

Repostaje de combustible

Si es posible, utilice de gasolina de bajas emisiones/alquilatos. Si no puede utilizar gasolina de bajas emisiones/alquilatos, utilice una gasolina sin plomo o gasolina con plomo de buena calidad con un octanaje no inferior a 90.



PRECAUCIÓN: No utilice gasolina con un octanaje inferior a 90 octanos RON (87 AKI). Esto puede provocar daños en el producto.

- Abra el tapón del depósito de combustible lentamente para liberar la presión.
- Llene lentamente con una lata de combustible. Si derrama combustible, límpielo con un paño y deje que el combustible restante se seque.
- Limpie la zona de alrededor del tapón del depósito de combustible.
- Apriete el tapón del depósito de combustible completamente. Si el tapón del depósito de combustible no se aprieta, existe riesgo de incendio.
- Antes de arrancarlo, lleve el producto a 3 m (10 pies) de distancia como mínimo del punto en el que llenó el depósito.

Para ajustar la altura de corte

La altura de corte puede ajustarse en 6 niveles.

- Mueva la palanca de altura de corte hacia delante para aumentar la altura de corte.
- Mueva la palanca de altura de corte hacia atrás para reducir la altura de corte.



PRECAUCIÓN: No ajuste la altura de corte demasiado baja. Las cuchillas pueden golpear el suelo si la superficie del césped no está nivelada.

Para arrancar el producto

- Asegúrese de que el cable de encendido está conectado a la bujía.
- Abra el paso de combustible. (Fig. 22)
- Manténgase detrás del producto.
- Sujete la maneta del freno del motor contra el manillar. (Fig. 23)
- Sostenga la empuñadura de arranque con la mano derecha.
- Tire lentamente de la cuerda de arranque hasta sentir cierta resistencia.
- Tire con fuerza para arrancar el motor.



ADVERTENCIA: No se enrolle la cuerda de arranque alrededor de la mano.



PRECAUCIÓN: No extienda totalmente la cuerda de arranque. No suelte la empuñadura una vez extendida la cuerda de arranque.

Uso de la transmisión de las ruedas

- Empuje la palanca de control hacia abajo. (Fig. 24)
- Antes de tirar del producto hacia atrás, desacople la transmisión y empuje el producto hacia adelante aproximadamente 10 cm.
- Suelte el mango de transmisión una pequeña distancia para desacoplar la transmisión, por ejemplo, cuando se acerque a un obstáculo.

Para detener el producto

- Para detener solo la transmisión, suelte un poco el freno del motor.
- Para detener el motor, suelte del todo la maneta del freno del motor.

- Cierre el paso de combustible. (Fig. 25)

Para obtener un buen resultado

- Use siempre una cuchilla afilada. Un cuchilla roma proporciona un resultado irregular y la superficie de corte de la hierba adquiere un tono amarillo. Una cuchilla afilada también utiliza menos energía que una cuchilla roma.
- No corte más de $\frac{1}{4}$ de la longitud del césped. Corte primero con una altura de corte alta. Examine el resultado y baje la altura de corte al nivel que corresponda. Si la hierba está muy larga, vaya despacio y corte dos veces si es necesario.
- Corte en direcciones distintas cada vez para evitar crear rayas en el césped.

Mantenimiento

Introducción



ADVERTENCIA: Antes de realizar cualquier trabajo de mantenimiento, debe leer y entender el capítulo sobre seguridad.

Para todos los trabajos de mantenimiento y reparación del producto, es necesario realizar una formación especial. Nosotros garantizamos que los trabajos de mantenimiento y reparación sean realizados por profesionales. Si su distribuidor no es un taller de

servicio, pídale información sobre el taller de servicio más cercano.

Programa de mantenimiento

Los intervalos de mantenimiento se calculan a partir del uso diario del producto. Los intervalos cambian si el producto no se utiliza a diario.

Para las tareas de mantenimiento identificadas con un *, consulte las instrucciones de *Dispositivos de seguridad en el producto en la página 84*.

Mantenimiento	Diario	Semanal	Mensual
Inspección general	X		
Comprobación del nivel de aceite	X		
Limpieza del producto	X		
Limpie el filtro de aire	X		
Inspección del equipo de corte	X		
Inspección de la cubierta de corte*	X		
Inspección de la maneta del freno del motor*	X		
Inspección del silenciador*		X	
Inspección de la bujía		X	
Examine si hay daños en la correa de transmisión			X
Limpie la caja de engranajes			X
Reponga el aceite (la primera vez a las 5 horas de uso; después, cada 25 h de uso y anualmente)			X
Sustituya el filtro de aire			X
Inspección del sistema de combustible			X
Inspección y ajuste de la transmisión (cable de embrague)			X

Para realizar una inspección general

- Asegúrese de que todas las tuercas y los tornillos del producto estén apretados correctamente.

Para limpiar el producto externamente

- Use un cepillo para retirar las hojas, la hierba y la suciedad.
- Asegúrese de que la toma de aire de la parte superior del motor no esté obstruida.
- No utilice un equipo de limpieza a alta presión para limpiar el producto.
- Si utiliza agua para limpiar el producto, no dirija el chorro directamente sobre el motor.

Para limpiar la superficie interior de la cubierta de corte

1. Apoye el producto sobre su costado con el silenciador hacia abajo.



PRECAUCIÓN: Si el producto se pone con el filtro de aire hacia abajo, el motor puede dañarse.

2. Limpie la superficie interior de la cubierta de corte con una manguera de agua.

Para examinar la correa de transmisión y limpiar la caja de engranajes

1. Retire los 4 tornillos que hay en la protección de la correa y retire la protección de la correa. (Fig. 26)
2. Examine la correa de transmisión y la polea en busca de daños.
3. Use un cepillo para retirar las hojas, la hierba y la suciedad de la caja de engranajes. (Fig. 27)

Para sustituir y ajustar la correa de transmisión

1. Retire los 4 tornillos que hay en la protección de la correa y retire la protección de la correa. (Fig. 26)
2. Ponga un destornillador plano entre el tapacubos y la rueda, en la rueda delantera derecha del producto.
3. Gire el destornillador cuidadosamente para quitar el tapacubos.
4. Quite el tornillo de la rueda y retire la rueda. (Fig. 28)
5. Retire la correa de transmisión de las poleas de correa.
6. Asegúrese de que las poleas de correa se mueven fácilmente en el eje.
7. Si es necesario, pulverice aceite penetrante entre las poleas de correa y detrás de ellas y lubrique el eje.

8. Instale una correa de transmisión nueva y fíjela correctamente a la altura del cojinete de bolas antes de ajustarla. (Fig. 29)
9. Mueva el cojinete de bolas hacia arriba o hacia abajo para ajustar la correa de transmisión. (Fig. 30)

Nota: La correa de transmisión nueva se alargará con el uso. Ajuste la correa de transmisión de nuevo después de unas horas de funcionamiento.

10. Coloque la protección de la correa.
11. Haga funcionar el producto para asegurarse de que la correa de transmisión está correctamente instalada y ajustada.

Para sustituir y ajustar la correa central

1. Desmunte la cuchilla.

Nota: Este paso no es necesario si solo va a ajustar la correa central.

2. Afloje los tornillos de ajuste unas vueltas, pero sin quitarlos. (Fig. 31)
3. Cambie la correa central y apriete ligeramente los tornillos de ajuste.

Nota: Este paso no es necesario si solo va a ajustar la correa central.

4. Mueva la caja de engranajes hacia delante o hacia atrás para ajustar la correa central. (Fig. 32)
5. Utilice una balanza de gancho para examinar la tensión de la correa central. La correa tiene la tensión correcta cuando se puede mover de 6 a 10 mm en el centro. Esto equivale a una tracción de 3 kg. (Fig. 33)
6. Apriete los tornillos de ajuste a fondo a un par de 3 Nm.
7. Haga funcionar el producto para asegurarse de que la correa de transmisión está correctamente instalada y ajustada.

Para inspeccionar el equipo de corte



ADVERTENCIA: Para evitar el arranque accidental, desconecte el cable de encendido de la bujía.



ADVERTENCIA: Utilice guantes protectores cuando realice el mantenimiento del equipo de corte. La cuchilla está muy afilada y se pueden producir cortes con mucha facilidad.

1. Inspeccione el equipo de corte para comprobar si presenta daños o grietas. Sustituya siempre un equipo de corte dañado.

2. Inspeccione la cuchilla para comprobar si está dañada o roma.

Nota: Después de afilar la cuchilla, es necesario equilibrarla. El afilado, la sustitución y el equilibrado de la cuchilla deben realizarse en un centro de servicio. Si choca con un obstáculo que haga que el producto se pare, sustituya la cuchilla dañada. Lleve el producto a un centro de servicio, donde estimarán si la cuchilla puede afilarse o debe sustituirse.

Para sustituir la cuchilla

1. Bloquee la cuchilla con un bloque de madera. (Fig. 34)
2. Retire el tornillo de la cuchilla, la arandela y la cuchilla. (Fig. 35)
3. Inspeccione el soporte de la cuchilla y el tornillo de la cuchilla para ver si hay daños.
 - a) Si sustituye el disco o el soporte, sustituya también el tornillo de la cuchilla, la arandela elástica y la arandela de fricción.
4. Inspeccione el eje del motor para asegurarse de que no está doblado.
5. Cuando instale la nueva cuchilla, asegúrese de que los extremos doblados estén orientados en dirección a la cubierta de corte. (Fig. 36)
6. Coloque la arandela de fricción y la cuchilla contra el soporte de la cuchilla. (Fig. 37)
7. Asegúrese de que la cuchilla se alinee con el centro del eje del motor. (Fig. 38)
8. Bloquee la cuchilla con un bloque de madera. (Fig. 39)
9. Coloque la arandela elástica, y apriete el tornillo a 80 Nm de par. (Fig. 40)
10. Mueva la cuchilla en distintas direcciones manualmente y compruebe que gira libremente.



ADVERTENCIA: Utilice guantes protectores. La cuchilla está muy afilada y se pueden producir cortes con mucha facilidad.

11. Arranque el producto para hacer una prueba de la cuchilla. Si la cuchilla no está correctamente fijada, se produce una vibración en el producto o el resultado de corte no es satisfactorio.

Para realizar una comprobación del nivel de aceite



PRECAUCIÓN: Un nivel de aceite demasiado bajo puede causar daños en el motor. Compruebe el nivel de aceite antes de arrancar el producto.

1. Coloque el producto sobre una superficie nivelada.

2. Cierre el paso de combustible.
3. Retire el tapón del depósito de aceite con la varilla de nivel acoplada.
4. Limpie el aceite de la varilla de nivel de aceite.
5. Vuelva a colocar la varilla de nivel en el depósito de aceite, pero no apriete el tapón del depósito de aceite.
6. Quite la varilla de nivel.
7. Compruebe el nivel de aceite que indica la varilla de nivel.
8. Si el nivel de aceite es bajo, llene con aceite de motor y vuelva a comprobar el nivel de aceite. El nivel de aceite es correcto cuando está en la marca superior de la varilla de nivel.

Sustitución del aceite del motor



ADVERTENCIA: El aceite del motor está muy caliente inmediatamente después de apagar el motor. Deje que el motor se enfríe antes de vaciar el aceite del motor. Si derrama aceite del motor y entra en contacto con la piel, lávese con agua y jabón.

1. Ponga el producto en funcionamiento hasta que el depósito de combustible se vacíe.
2. Quite el cable de encendido de la bujía.
3. Retire el tapón del depósito de aceite.
4. Coloque un recipiente debajo del producto para recoger el aceite del motor.
5. Inclíne el producto para drenar el aceite de motor del depósito de aceite.
6. Llene el depósito con aceite de motor nuevo del tipo recomendado en *Datos técnicos en la página 92*.
7. Compruebe el nivel de aceite. Consulte la sección *Para realizar una comprobación del nivel de aceite en la página 90*.

Para limpiar el filtro de aire



PRECAUCIÓN: No accione el motor sin un filtro de aire instalado ni si el filtro de aire está sucio.



PRECAUCIÓN: Sustituya el filtro de aire si no se puede limpiar del todo o está dañado. Un filtro de aire defectuoso provoca daños en el motor.

1. Empuje las lengüetas (A), extraiga la cubierta del filtro de aire (B) y extraiga el filtro de aire (C). (Fig. 41)

2. Golpee el filtro de aire sobre una superficie dura o sople aire comprimido a través del filtro de aire desde el lado limpio del filtro de aire.



PRECAUCIÓN: No utilice un cepillo para quitar la suciedad, ya que esto puede introducirla en el filtro de aire.

3. Limpie el soporte del filtro de aire (D) y la cubierta del filtro de aire con un trapo húmedo.



PRECAUCIÓN: Asegúrese de que no entre suciedad en el conducto de aire (E).

4. Instale el filtro de aire. Asegúrese de que el filtro de aire selle totalmente el soporte del filtro de aire.
5. Instale la cubierta del filtro de aire empezando por las pestañas inferiores.

Para examinar la bujía



PRECAUCIÓN: Utilice siempre el tipo de bujía recomendado. El uso de un tipo de bujía incorrecto puede causar averías en el producto.

- Examine la bujía si el motor tiene baja potencia, no es fácil de arrancar o no funciona correctamente al régimen de ralentí.
- Para reducir el riesgo de material no deseado en los electrodos de la bujía, siga estas instrucciones:
 - a) Asegúrese de que el régimen de ralentí está bien ajustado.
 - b) Asegúrese de que la mezcla de combustible sea correcta.
 - c) Asegúrese de que el filtro de aire esté limpio.
- Si la bujía está sucia, límpiela y asegúrese de que la distancia entre los electrodos sea la correcta, consulte *Datos técnicos en la página 92*. (Fig. 42)
- Sustituya la bujía si fuese necesario.

Para inspeccionar el sistema de combustible

- Examine el tapón del depósito de combustible y la junta del tapón para comprobar que no presenten daños.
- Examine la manguera de combustible para asegurarse de que no haya fugas. Si la manguera de combustible está dañada, lleve el producto a un taller de servicio para sustituirla.

Para ajustar el cable de embrague

Si la transmisión funciona con lentitud, será necesario ajustar el cable de embrague.

- Gire el tornillo de ajuste. (Fig. 43)

El cable del embrague está ajustado correctamente cuando el soporte del cable del embrague queda alineado con la tuerca.

(Fig. 44)

Transporte, almacenamiento y eliminación

Transporte y almacenamiento

- Para el transporte y almacenamiento del producto y del combustible, asegúrese de que no haya fugas ni humos. Las chispas o llamas abiertas, por ejemplo, de dispositivos eléctricos o calderas, pueden producir un incendio.
- Use siempre recipientes homologados para el transporte y almacenamiento de combustible.
- Vacíe el depósito de combustible antes de poner el producto en almacenamiento durante un largo periodo de tiempo. Deseche el combustible en una ubicación adecuada para su eliminación.
- Asegure el producto durante el transporte para evitar daños y accidentes.
- Mantenga el producto en un área cerrada para impedir el acceso a niños o personas no autorizadas.

- Mantenga el producto en un lugar seco y al abrigo de las heladas.

Eliminación

- Respete los requisitos de reciclaje locales y las normas aplicables.
- Deseche todos los productos químicos, como el aceite de motor o el combustible, en un centro de servicio o una ubicación adecuada para su eliminación.
- Cuando ya no use el producto, envíelo a un distribuidor Husqvarna o deséchelo en un punto de reciclaje.

Datos técnicos

Datos técnicos

	KLIPPO LB 448S	KLIPPO LB 453S	KLIPPO LB 548S e
Motor			
Marca	Honda	Honda	Honda
Cilindrada, cm ³	145	166	166
Velocidad, rpm	2900	2900	2900
Potencia nominal del motor, kW ³¹	2,7	3,3	3,3
Sistema de encendido			
Bujía	NGK BPR5ES	NGK BPR5ES	NGK BPR5ES
Distancia de electrodos, mm	0,7–0,8	0,7–0,8	0,7–0,8
Sistema de combustible y lubricación			
Capacidad del depósito de gasolina, litros	0,9	0,9	0,9
Capacidad del depósito de aceite, litros	0,55	0,5	0,55

³¹ La potencia de salida del motor indicada es la potencia neta media (al régimen especificado) de un motor de producción típico para el modelo de motor conforme a la norma SAE J1349/ISO1585. Los motores fabricados en serie podrían presentar valores diferentes. La potencia de salida real del motor instalado en el producto final dependerá del régimen de funcionamiento, las condiciones medioambientales y otros valores.

	KLIPPO LB 448S	KLIPPO LB 453S	KLIPPO LB 548S e
Aceite del motor ³²	SAE 10W-30	SAE 10W-30	SAE 10W-30
Peso			
Con los depósitos vacíos, kg	30,5	33	32,5
Emisiones de ruido ³³			
Nivel de potencia acústica medida, dB(A)	90	91	90
Nivel de potencia acústica garantizado L _{WA} dB(A)	91	94	91
Niveles acústicos ³⁴			
Nivel de presión sonora en el oído del operario, dB (A)	77	78	78
Niveles de vibración, a_{hveq} ³⁵			
Manillar, m/s ²	4,5	5,3	4,8
Equipo de corte			
Altura de corte, mm	30-60	30-60	30-60
Anchura de corte, mm	480	530	480
Cuchilla	Trituración (48 cm) 5028813-10	Trituración (53 cm) 5028814-10	Trituración (48 cm) 5028813-10
Transmisión			
Velocidad, km/h	4,5	4,5	4,5

³² Utilice aceite de motor de calidad SG-SH. Consulte la tabla de los valores de viscosidad en el manual del fabricante del motor y seleccione la mejor viscosidad según la temperatura ambiente prevista.

³³ Emisiones sonoras en el entorno medidas como potencia acústica (L_{WA}) según la directiva CE 2000/14/CE.

³⁴ Nivel de presión sonora conforme a la norma ISO 5395. Los datos referidos del nivel de presión sonora tienen una dispersión estadística habitual (desviación típica) de 1,2 dB (A).

³⁵ Nivel de vibración conforme a ISO 5395. Los datos referidos del nivel de vibración poseen una dispersión estadística habitual (desviación típica) de 0,2 m/s².

Declaración de conformidad CE

Declaración de conformidad CE

Husqvarna AB, SE-561 82 Huskvarna (Suecia), tel.:

+46-36-146500, declara que los cortacéspedes

Husqvarna KLIPPO LB 448S, KLIPPO LB 453S,

KLIPPO LB 548S e con los números de serie

2020xxxxxxx y siguientes cumplen los requisitos

expuestos en la DIRECTIVA DEL CONSEJO:

- de 17 de mayo de 2006 "relativa a máquinas", **2006/42/CE.**
- de 26 de febrero de 2014 "relativa a compatibilidad electromagnética", **2014/30/UE.**
- de 8 de mayo de 2000 "relativa a emisiones sonoras en el entorno", **2000/14/CE.**
- Del 8 de junio de 2011 "relativa a restricciones de utilización de determinadas sustancias peligrosas en aparatos eléctricos y electrónicos" **2011/65/UE.**

Para obtener información respecto a las emisiones sonoras, consulte la sección sobre datos técnicos.

Se han aplicado las normas siguientes:

EN ISO 5395-1, EN ISO 5395-2, EN ISO 5395-2 Amd1, EN ISO 5395-2 Amd 2, EN 55012, EN 50581:2012

Si no se indica lo contrario, las normas anteriormente indicadas constituyen las últimas versiones publicadas.

Organismo notificado: **0404, RISE SMP Svensk Maskinprovning AB, Box 7035, SE-750 07 Uppsala** ha elaborado informes sobre la evaluación de la conformidad con el Anexo VI de la DIRECTIVA DEL CONSEJO del 8 de mayo de 2000 "referente a las emisiones sonoras en el entorno" 2000/14/CE.

Huskvarna, 2020-09-16



Claes Losdal, Director de desarrollo/productos para el jardín (representante autorizado de Husqvarna AB y responsable de la documentación técnica).

Sisukord

Sissejuhatus.....	95	Hooldamine.....	100
Ohutus.....	96	Transportimine, hoiulepanek ja utiliseerimine.....	103
Kokkupanek.....	99	Tehnilised andmed.....	104
Töö.....	99	EÜ vastavusdeklaratsioon.....	106

Sissejuhatus

Seadme kirjeldus

Toode on lükatav pöörleva lõiketeraga muruniiduk, mis kasutab muru väetiseks lõikamiseks süsteemi BioClip®.

Toote tutvustus

(Joon. 1)

1. Käepide / juhtraud
2. Mootori pidurikäepide
3. Sõiduhoo
4. Käivitusnööri käepide
5. Õlikork
6. Rihmakaitse
7. Summuti
8. Süüteküünl
9. Rihmakaitse
10. Kütusepaak
11. Hoo käepideme nurga reguleerimiseks
12. Vibratsioonisummutussüsteem
13. Siduritrossi regulaator
14. Alumine käepide
15. Lõikekõrguse hoo
16. Kütuseklapp
17. Õhufilter
18. Lõikekorpus
19. Vedruseib
20. Lõikeketta polt
21. Lõiketera
22. Lõiketera tugi
23. Multšikork (KLIPPO LB 448S, KLIPPO LB 548S e)
24. Kasutusjuhend

Sümbolid tootel

- (Joon. 2) HOIATUS! Hooletu või väär käsitsemise võib põhjustada kehavigastusi või surma kasutajale või juuresolijatele.
- (Joon. 3) Enne seadme kasutamist lugege kasutusjuhend põhjalikult läbi, et kõik juhised oleksid täiesti arusaadavad.
- (Joon. 4) Olge ettevaatlik - lenduvad esemed ning tagasipõrkumise oht.

Kasutusotstarve

Kasuta toodet muru pügamiseks. Ära kasuta toodet muude tööde tegemiseks.

- (Joon. 5) Teised inimesed ja loomad peavad viibima tööalast ohutus kauguses.
- (Joon. 6) Enne seadme remontimist või hooldamist seisake mootor ja eemaldage süütejuhe.
- (Joon. 7) Hoiatus! Hoidke käed ja jalad pöörlevatest osadest eemal.
- (Joon. 8) Hoiatus! Hoidke käed ja jalad pöörlevast terast eemal.
- (Joon. 9) Toode vastab ELi kehtivatele direktiividele.
- (Joon. 10) Keskkonda paisatava müra tase vastab Euroopa direktiivi 2000/14/EÜ ja Uus Lõuna-Walesi seaduse „Protection of the Environment Operations (Noise Control) Regulation 2017” nõuetele. Mürataseme andmed on toodud seadme sildil ja peatükis Tehnilised andmed.
- (Joon. 11) Skannitav kood.

Märkus: Seadmel toodud ülejäänud sümbolid/ tähised viitavad teatud kommertsvaldkondade sertifitseerimisnõuetele.

Hoiatustähis seadmel, ainult Austraalias ja Uus-Meremaal.

- (Joon. 12)
Hoidke käed ja jalad pöörlevast terast eemal.

Euro V heitmed



HOIATUS: Mootori igasugune modifitseerimine, muutmine või rikkumine tühistab toote EL-i tüübikinnituse.

Tootevastutus

Tootevastutusseaduste alusel ei vastuta me tootest tingitud kahjustuste eest, kui:

- toodet on valesti parandatud;
- toote parandamisel on kasutatud osi, mis ei ole tootja poolt valmistatud või heaks kiidetud;
- tootel on kasutatud tarvikut, mis ei ole tootja poolt valmistatud või heaks kiidetud;
- toodet ei ole parandatud volitatud hoolduskeskuses või volitatud isiku poolt.

Ohutus

Ohutuse määratlused

Mõistetega „hoiatus“, „ettevaatus“ ja „märkus“ juhitakse tähelepanu eriti olulistele kohtadele kasutusjuhendis.



HOIATUS: Tähistab kasutusjuhendi juhiste eiramise korral kasutaja või kõrvalseisjate kehavigastuse või surmaga lõppeva õnnetuse ohtu.



ETTEVAATUST: Tähistab kasutusjuhendi juhiste eiramise korral seadme, muude esemete või läheduses asuvate objektide kahjustamise ohtu.

Märkus: Tähistab antud olukorras vajalikku lisateavet.

Üldised ohutuseeskirjad



HOIATUS: Enne seadme kasutamist lugege läbi järgnevad hoiatused.

- Toode on ohtlik, kui seda kasutada valesti või ettevaatamatult. Ohutuseeskirjade eiramine võib põhjustada kehavigastuse või surma.
- Seade tekitab töötades elektromagnetvälja. Teatud tingimustel võib väli häirida aktiivsete või passiivsete meditsiiniliste implantaatide tööd. Raskete või surmaga lõppevate kehavigastuste ohtu vähendamiseks soovime meditsiinilisi implantaate kasutataval inimestel pidada enne selle seadme kasutamist nõu oma arsti ja implantaadi valmistajaga.
- Olge alati ettevaatlik ja kasutage tervet mõistust. Kui te pole kindel, kuidas toodet eriolukorras kasutada, lõpetage töö ja pidage enne jätkamist nõu Husqvarna edasimüüjaga.
- Arvestage, et teiste isikute ja nende varaga seotud õnnetuste korral kannab vastutust seadme kasutaja.
- Hoidke toode puhas. Veenduge, et märgid ja tähised oleksid selgelt loetavad.

- Ärge lubage kellelgi toodet kasutada enne, kui ta on lugenud kasutusjuhendit ja selle sisu endale selgeks teinud.
- Ärge lubage lastel seadet käsitseda.
- Hoidke lapsed tööalast eemal. Vastutusvõimeline täiskasvanu peab kogu aeg kasutaja juures viibima.
- Ärge lubage kasutusjuhistega mitte tutvunud isikul toodet käsitseda.
- Kui toodet kasutab piiratud füüsiliste või vaimsete võimetega isik, peab ta olema kogu aeg järelevalve all. Vastutusvõimeline täiskasvanu peab kogu aeg kasutaja juures viibima.
- Ärge kasutage toodet, kui olete väsinud, haige või tarvitanud alkoholi, narkootikume või ravimeid. Sellel on negatiivne mõju teie nägemisele, tähelepanuvõimele, liikumisele ja otsustamisvõimele.
- Ärge kasutage toodet, kui see on kahjustatud.
- Ärge muutke toodet ega kasutage seda, kui keegi teine võib olla seda muutnud.
- Ära muuda mootori kiiruse regulaatori seadistust.

Tööala ohutus



HOIATUS: Enne seadme kasutamist lugege läbi järgnevad hoiatused.

- Enne toote kasutamist eemaldage tööalalt oksad ja kivid.
- Lõikeosaga kokku puutuvad esemed võivad õhku paiskuda ning inimesi vigastada ja esemeid kahjustada. Juuresolijad ja loomad peavad viibima tootest ohutus kauguses.
- Ärge kasutage toodet halva ilmaga, näiteks udu, vihma, tugeva tuule, tugeva pakase ja pikseohtu korral. Tootte kasutamine halva ilma ning niiskete ja märgade tingimuste korral on väsitav. Halb ilm võib põhjustada ohtlikke tingimusi (nt libedaid pindu).
- Suhtuge tähelepanelikult inimestesse, esemetesse ja olukordadesse, mis võivad takistada toote ohutut kasutamist.
- Olge ettevaatlik takistuste (nt juurte, kivide, oksade, aukude ja kraavide) suhtes. Kõrge rohi võib peita takistusi.

- Muru niitmine kallakutel võib olla ohtlik. Ärge kasutage toodet alal, mille kalle ületab 15°.
- Kasutage toodet kallakul risti liikudes. Ärge liikuge üles ja alla.
- Olge ettevaatlik varjatud nurkade ja vaatevälja varjavate esemete läheduses.

Tööohutus



HOIATUS: Enne seadme kasutamist lugege läbi järgnevad hoiatused.

- Kasutage seda toodet ainult muru niitmiseks. Muude toimingute tegemiseks toodet kasutada ei tohi.
- Kasutage isikukaitsevahendeid. Vt jaotist *Isikukaitsevahendid lk 97*.
- Veenduge, et teate, kuidas hädaolukorras mootorit kiiresti seisata.
- Ärge käivitage mootorit suletud ruumis ega tuleohtlike materjalide lähedal. Mootori heitgaasid on kuumad ja võivad sisaldada sädemeid, mis võivad tekitada tulekahju.
- Ärge kasutage toodet enne, kui lõiketera ja katted on õigesti kinnitatud. Valesti kinnitatud lõiketera võib lahti tulla ja inimesi vigastada.
- Veenduge, et lõiketera ei puutuks kokku esemetega (nt kivide ja juurtega). See võib lõiketera kahjustada ja põhjustada mootori võlli väändumist. Paindega telg põhjustab tugevat vibratsiooni ja suurt lõiketera lahitudemise ohtu.
- Kui lõiketera puutub kokku mõne esemega või esineb vibratsioon, peatage toode viivitamatult. Lahutage süüteküünla süütejuhe. Kontrollige toodet kahjustuste suhtes. Parandage kahjustused või laske toodet remontida volitatud hooldustöökojas.
- Kui mootor töötab, ärge kinnitage mootori pidurikäepidet käepidemele jäädavalt.
- Asetage toode stabiilsele ja tasasele pinnale ning käivitage see. Veenduge, et lõiketera ei puutuks vastu maad ega muid esemeid.
- Olge toote kasutamisel alati toote taga.
- Tootte kasutamisel hoidke mõlema käega käepidemest ja kõik toote rattad maas. Hoidke käed ja jalad liikuvatest teradest eemal.
- Kui mootor on käivitatud, ärge kallutage toodet.
- Olge toote tagasisuunas tõmbamisel ettevaatlik.
- Kui mootor on käivitatud, ärge tõstke toodet. Kui teil on vaja toodet tõsta, seisake esmalt mootor ja lahutage süütejuhe süüteküünlast.
- Ärge kõndige toote kasutamise ajal tagurpidi.
- Seisake mootor, kui liigute alal, kus pole muru, näiteks kruusast, kivist ja asfaldist teedel.
- Ärge lükake toodet joostes, kui mootor on käivitatud. Tootte kasutamise ajal kõndige.
- Enne lõikamiskõrguse muutmist seisake mootor. Ärge tehke seadistusi, kui mootor töötab.

- Ärge laske toodet silmist, kui mootor töötab. Seisake mootor ja veenduge, et lõikeosa ei pöörleks.

Ohutusjuhised kasutamisel

Isikukaitsevahendid



HOIATUS: Enne seadme kasutamist lugege läbi järgnevad hoiatused.

- Isikukaitsevarustus ei välista täielikult kehavigastuste ohtu, kuid vähendab õnnetusjuhtumi korral kehavigastuse raskusastet. Õige varustuse valimiseks pöörduge edasimüüja poole.
- Kui müratase ületab 85 dB, kandke kuulmiskaitseid.
- Kandke vastupidavaid saapaid või jalatseid, mis on libisemiskindlad. Ärge kandke avatud jalatseid ega olge paljajalu.
- Kandke tugevaid pikki pükse.
- Vajaduse korral kandke kaitsekindaid, näiteks lõikeosa kinnitades, kontrollides või puhastades.

Toote ohutusseadised



HOIATUS: Enne seadme kasutamist lugege läbi järgnevad hoiatused.

- Ärge kunagi kasutage seadet, kui selle ohutusseadised on defektsed.
- Kontrollige ohutusseadiseid regulaarselt. Kui ohutusseadised on defektsed, pöörduge Husqvarna hooldustöökohta.

Lõikeosa katte kontrollimine

Lõikeosa kate vähendab toote vibratsiooni ja lõiketerast tingitud vigastuste ohtu.

- Kontrollige lõikeosa kahjustuste (nt pragude) suhtes.

Rihmakaitse kontrollimine

Rihmakaitse vähendab vigastuste ohtu ja tagab, et purunenud veorihm ei paiskuks välja.

- Kontrollige, et rihmakaitse oleks terve ja õigesti paigaldatud. (Joon. 13)

Rihmakaitse kontrollimine

Rihmakaitse vähendab vigastuste ohtu ja tagab, et purunenud veorihm ei paiskuks välja.

- Kontrollige, et rihmakaitse oleks terve ja õigesti paigaldatud. (Joon. 14)

Mootori pidurikäepide

Mootori pidurikäepideme abil saab mootori seisata. Mootori pidurikäepideme vabastamisel mootor seiskub.

Mootoripiduri kontrollimiseks käivitage mootor ja vabastage mootorpiduri käepide. Kui mootor kolme sekundi jooksul ei seisku, laste mootorpidurit reguleerida Husqvarna volitatud hooldustöökojas.

(Joon. 15)

Vibratsioonisummutussüsteemi kontrollimine



HOIATUS: Liigne kokkupuude tugeva vibratsiooniga võib vereringehäiretega inimestel põhjustada vereringe- või närvikahjustusi. Pöörduge arsti poole, kui ilmneb nähte, mis võivad olla vibratsioonist põhjustatud. Sellisteks nähtudeks on näiteks tundetus, surin, torkiv tunne, valu, nõrkus, muutused nahavärvis või naha seisukorras. Nimetatud nähtused esinevad tavaliselt sõrmedes, käelabades ja randmetes.

Vibratsioonisummutussüsteem vähendab juhtraua vibratsiooni töötamise ajal.

Juhtraua raudtoru ja löikeosa kate on vibratsiooni vähendava konstruktsiooniga. Mudelil KLIPPO LB 548S e on juhtrauale paigaldatud veel 4 vibratsioonisummutusseadist.

- Kontrollige, et juhtraual ja vibratsioonisummutusseadistel poleks kahjustusi. (Joon. 16)

Lõiketera tugi

Lõiketera tugi vähendab mootori võlli väändumise ohtu. Kui lõiketera tabab mõnda objekti, liigub lõiketera vastu lõiketera tuge. See liikumine kulutab lõiketera toe pinda. Kulumine näitab, et mootori võlli kaitse töötab õigesti.

Summuti

Summuti ülesandeks on hoida müratase võimalikult madalal ja suunata mootori heitgaasid kasutajast eemale.

Ärge kasutage seadet, kui summuti puudub või on kahjustatud. Kahjustatud summuti tõstab mürataset ja suurendab tulekahju ohtu.



HOIATUS: Seadme töötamise ajal ja vahetult pärast töötamist ning mootori tühikäigul töötamise ajal on summuti väga kuum. Tulekahju vältimiseks olge tuleohtlike materjalide ja/või aurude läheduses väga ettevaatlik.

Summuti kontrollimine

- Kontrollige summutit regulaarselt ning veenduge, et see oleks õigesti kinnitatud ja kahjustamata.

Ohutusnõuded kütuse käsitlemisel



HOIATUS: Enne seadme kasutamist lugege läbi järgnevad hoiatused.

- Ärge käivitage toodet, kui toote pinnale on sattunud kütust või mootoriõli. Eemaldage kütus/õli toote pinnalt ja laske tootel kuivada.
- Kui kütus satub rõivastele, siis vahetage kohe riideid.
- Vältige kütuse sattumist nahale, see võib põhjustada kehavigastusi. Kui kütus satub kehale, puhastage piirkond seebi ja veega.
- Ärge käivitage toodet, kui mootor lekib. Kontrollige regulaarselt mootori lekkekindlust.
- Olge kütuse käsitlemisel ettevaatlik. Kütus on tuleohtlik ja kütuse aurud on plahvatusohtlikud ning võivad põhjustada kehavigastusi või surma.
- Ärge hingake sisse kütuseaure, see võib põhjustada kehavigastuse. Tagage piisav õhuvahetus.
- Ärge suitsetage kütuse ega mootori läheduses.
- Ärge asetage kuumi esemeid kütuse ega mootori lähedusse.
- Ärge tankige kütust, kui mootor töötab.
- Enne tankimise alustamist veenduge, et mootor oleks külm.
- Enne tankimise alustamist avage aeglaselt kütusepaagi kork ja laske survel alaneda.
- Ärge tankige mootorit siseruumis. Ebapiisav õhuvahetus võib põhjustada lämbumist või vingugaasimürgistusest tingitud kehavigastuse või surma.
- Pingutage kütusepaagi korki korralikult. Pingutamata kütusepaagi kork põhjustab tuleohtu.
- Enne käivitamist viige toode vähemalt 3 m kaugusele kohast, kus toimus kütusepaagi täitmine.
- Ärge täitke kütusepaaki täielikult. Soojuste mõjul kütus paisub. Jätke kütusepaagi ülaserava vaba ruumi.

Ohutusjuhised hooldamisel



HOIATUS: Enne seadme kasutamist lugege läbi järgnevad hoiatused.

- Mootori heitgaasid sisaldavad vingugaasi: lõhnatud, mürgist ja väga ohtlikku gaasi. Ärge käivitage mootorit siseruumis ega suletud alal.
- Enne toote hooldamist seisake mootor ja eemaldage süüteküünla süütejühe.
- Lõikeosa hooldamisel kandke kaitsekindaid. Lõiketera on väga terav ja võib kergesti põhjustada lõikevigastusi.

- Tootja heakskiiduta tarvikud ja muudatused toote juurest võivad põhjustada tõsiseid kehavigastusi või surma. Ärge muutke toodet. Kasutage tootja heakskiidetud tarvikuid.
- Kui toodet regulaarselt ja õigesti ei hooldata, suureneb oht, et toode saab kahjustada ja võib kedagi vigastada.

- Hooldage toodet ainult selle kasutusjuhendi järgi. Muid hooldustöid tuleb lasta teha Husqvarna heakskiiduga hooldustöökojas.
- Laske toodet regulaarselt hooldada Husqvarna heakskiiduga hooldustöökojas.
- Asendage kahjustatud, kulunud ja katkised osad.

Kokkupanek

Sissejuhatus



HOIATUS: Enne seadme kokkupanemist lugege põhjalikult läbi ohutust puudutav jaotis.



HOIATUS: Enne seadme kokkupanemist eemaldage süüteküünala juhe süüteküünla küljest.

Käepideme monteerimine ja reguleerimine

1. Eemaldage ülemise käepideme plaadilt käepideme mutter ja seib.
2. Seadke ülemine käepide alumise käepideme peale.



ETTEVAATUST: Veenduge, et juhtmed ei jääks kinni ega saaks kahju.

3. Paigaldage seib ja käepideme mutter. (Joon. 17)
4. Keerake käepide küljele, et saada hea tööasend seadet seina ääres kasutades. (Joon. 18)
5. Käepideme vertikaalselt reguleerimiseks keerake raamil olevaid seadistusrattaid. (Joon. 19)

Multšikorgi kokkupanek KLIPPO LB 448S, KLIPPO LB 548S e

1. Kallutage seade tahapoole nii, et süüteküünal jääks ülespoole.
2. Pange multšikorgi tihvtid aukudesse löikekorpuse siseküljelt. (Joon. 20)
3. Kinnitage multšikorgi kruvid löikekorpuse välisküljelt. (Joon. 21)

Töö

Sissejuhatus



HOIATUS: Enne seadme kasutamist lugege põhjalikult läbi ohutust puudutav jaotis.

Husqvarna Connect

Husqvarna Connect on mobiilsideseadmetele mõeldud tasuta rakendus. Rakendus Husqvarna Connect annab teie Husqvarna tootele lisafunktsionaalsuse:

- Täiendav tooteteave.
- Toote osade ja hoolduse alane teave ja abi.

Toote Husqvarna Connect kasutamise alustamine

1. Laadige Husqvarna Connect rakendus oma mobiilsideseadmesse.
2. Registreeruge Husqvarna Connect rakenduses.
3. Toote ühendamiseks ja registreerimiseks järgige Husqvarna Connect rakenduse juhiseid.

Enne toote kasutamist

1. Lugege kasutusjuhend põhjalikult läbi, et kõik juhised oleksid täiesti arusaadavad.
2. Veenduge, et löikeosa oleks õigesti kinnitatud ja reguleeritud. Vt jaotist *Löikeosa kontrollimine lk 102*.
3. Täitke kütusepaak. Vt jaotist *Kütuse tankimine lk 99*.
4. Täitke õlipaak ja kontrollide õlitaset. Vt jaotist *Õlitase kontrollimine lk 102*.

Kütuse tankimine

Võimaluse korral kasutage keskkonnasäästlikku bensiini/alkülaatbensiini. Kui keskkonnasäästlik või alkülaatbensiin pole saadaval, kasutage kvaliteetset pliivaba bensiini või pliibensiini, mille oktaaniarv on vähemalt 90.



ETTEVAATUST: Ärge kasutage bensiini, mille oktaaniarv on alla 90 RON (87 AKI). See võib toodet kahjustada.

1. Surve vabastamiseks avage kütusepaagi kork aeglaselt.
2. Lisage kütust aeglaselt kütusenõust. Mahavalgumise korral eemaldage osa kütust lapiga ja laske ülejäänud ära kuivada.
3. Puhastage kütusepaagi korgi ümbrus.
4. Pingutage kütusepaagi korki korralikult. Pingutamata kütusepaagi kork põhjustab tuleohtu.
5. Enne käivitamist viige toode vähemalt 3 m kaugusele kohast, kus toimus kütusepaagi täitmine.

7. Tõmmake hooga, nii et mootor käivitub.



HOIATUS: Käivitusnööri ei tohi kerida käe ümber.



ETTEVAATUST: Ärge tõmmake käivitusnööri täielikult välja. Ärge laske väljatõmmatud käivitusnööri käepidet lahti.

Lõikamiskõrguse reguleerimine

Lõikamiskõrgust saab seadistada kuuele erinevale kõrgusele.

1. Lõikamiskõrguse suurendamiseks lükake lõikamiskõrguse hooba edasisuunas.
2. Lõikamiskõrguse vähendamiseks tõmmake lõikamiskõrguse hooba tagasisuunas.



ETTEVAATUST: Ärge seadistage lõikamiskõrgust liiga madalaks. Kui muru pole tasane, võivad lõiketead puutuda vastu maad.

Toote käivitamine

1. Veenduge, et süütejuge ja süüteküünal oleksid omavahel ühendatud.
2. Avage kütuseklapp. (Joon. 22)
3. Olge toote taga.
4. Hoidke mootori pidurikäepidet juhtraua vastas. (Joon. 23)
5. Hoidke starteri nõõri käepidet paremas käes.
6. Tõmmake starteri nõõri väljasuunas, kuni tunnete vastujõudu.

Hea tulemuse saavutamine

- Kasutage vahedat lõiketera. Nüri tera annab ebaühtlase tulemuse ja muru lõigatud osa muutub kollaseks. Terav lõiketera on nüri teraga võrreldes energiasäästlikum.
- Lõigake kuni pool muru pikkusest. Niitke kõigepealt kõrgele reguleeritud lõikamiskõrgusega. Vaadake tulemust ja seadistage lõikamiskõrgus soovitud madalamale tasemele. Kui muru on väga pikk, sõitke aeglaselt ja vajadusel niitke kaks korda.
- Niitke iga kord erinevas suunas, et ära hoida triipude tekkimist murule.

Hooldamine

Sissejuhatus



HOIATUS: Enne seadme hooldamist lugege põhjalikult läbi ohutuspuudutat peatükk.

Toote hooldamiseks ja remontimiseks on vaja erioskusi. Tagame asjatundliku remondi- ja hooldustöö. Kui edasimüüjal, kellelt toote ostsite, pole hooldustöökoda, küsige neilt teavet lähima hooldustöökoja kohta.

Hoolduskeem

Hooldusintervallide arvutamisel on aluseks võetud toote igapäevane kasutamine. Intervallid muutuvad, kui toodet igapäevaselt ei kasutata.

Tärniga (*) tähistatud hooldustööde kohta leiate juhised peatükist *Toote ohutusseadised lk 97*.

Hooldamine	Üks kord päevas	Üks kord nädalas	Üks kord kuus
Üldkontrolli läbiviimine	X		
Õlitaseme kontrollimine	X		

Hooldamine	Üks kord päevas	Üks kord nädalas	Üks kord kuus
Toote puhastamine	X		
Puhastage õhufilter.	X		
Lõikeosa kontrollimine	X		
Lõikekorpuse kontrollimine*	X		
Mootoripiduri käepideme kontrollimine*	X		
Summuti kontrollimine*		X	
Süüteküünla kontrollimine		X	
Veorihma kontrollimine kahjustuste suhtes			X
Ülekande puhastamine			X
Õlivahetus (esmalt pärast 5 töötundi, seejärel iga kord 25 töötunni järel ja kord aastas)			X
Vahetage õhufilter.			X
Kütusesüsteemi kontrollimine			X
Veojõu (siduritrossi) kontrollimine ja reguleerimine			X

Üldülevaatus läbiviimine

- Veenduge, et kõik toote mutrid ja kruvid oleksid korralikult kinni pingutatud.

Toote välikorpuse puhastamine

- Eemaldage lehed, muru ja pori harja abil.
- Veenduge, et mootori peal asuv õhuvõtuava oleks takistustest vaba.
- Ärge kasutage seadme puhastamiseks survepesurit.
- Kui kasutate toote puhastamiseks vett, ärge suunake vett otse mootorile.

Lõikekorpuse sisepinnapuhastamine

1. Asetage toode külili nii, et summuti jääb allapoole.



ETTEVAATUST: Kui toode on asetatud selliselt, et õhufilter jääb allapoole, võib mootor kahjustada saada.

2. Loputage lõikekorpuse sisepinda veega.

Veorihma kontrollimine ja ülekande puhastamine

1. Eemaldage 4 kruvi rihmakaitset ja eemaldage rihmakaitse. (Joon. 26)
2. Kontrollige veorihma ja rihmaratast kahjustuste suhtes.
3. Eemaldage ülekandest harjaga lehed, muru ja mustus. (Joon. 27)

Veorihma vahetamine ja reguleerimine

1. Eemaldage 4 kruvi rihmakaitset ja eemaldage rihmakaitse. (Joon. 26)
2. Lükake hariilik kruvikeeraja seadme parema esiratta ilukilbi ja ratta vahele.
3. Ilukilbi eemaldamiseks keerake kruvikeerajat ettevaatlikult.
4. Eemaldage rattapolt ja eemaldage ratas. (Joon. 28)
5. Võtke veorihm rihmaratastelt maha.
6. Veenduge, et rihmarattad liiguvad völli vabalt.
7. Vajadusel pihustage rihmarataste vahele ja taha läbitungivat õli ning määrige völli.
8. Paigaldage uus veorihm ja kinnitage see korralikult kuullaagriga enne, kui reguleerite veorihma. (Joon. 29)
9. Veorihma reguleerimiseks liigutage kuullaagrit üles või alla. (Joon. 30)

Märkus: Uus veorihm venib kasutamise käigus pikemaks. Mõne töötunni möödudes reguleerige veorihma uuesti.

10. Kinnitage rihmakaitse.
11. Käitage seadet ja veenduge, et veorihm oleks õigesti paigaldatud ja reguleeritud.

Keskmise rihma vahetamine ja reguleerimine

1. Eemaldage lõiketera.

Märkus: See toiming pole vajalik, kui tahate keskmist rihma ainult reguleerida.

- Keerake reguleerimiskruvi paari pöörde jagu lahti, kuid ärge eemaldage neid. (Joon. 31)
- Vahetage keskmine rihm ja keerake reguleerimiskruvid keskmise jõuga kinni.

Märkus: See toiming pole vajalik, kui tahate keskmist rihma ainult reguleerida.

- Keskmise rihma reguleerimiseks liigutage käiku edasi või tagasi. (Joon. 32)
- Kasutage vedrukaalu keskmise rihma pingsuse mõõtmiseks. Rihma pingsus on õige, kui see saab liikuda 6–10 mm keskele. See võrdub umbes 3 kg tõmbejõuga. (Joon. 33)
- Keerake reguleerimiskruvid kinni pingutusmomendiga 3 Nm.
- Käitage seadet ja veenduge, et veorihm oleks õigesti paigaldatud ja reguleeritud.

Lõikeosa kontrollimine



HOIATUS: Tahtmatu käivitamise ärahoidmiseks eemaldage süüteküünalt süütejuhe.



HOIATUS: Lõikeosa hooldamisel kandke kaitsekindaid. Lõiketera on väga terav ja võib kergesti põhjustada lõikevigastusi.

- Kontrollige lõikeosa kahjustuste ja mõrade suhtes. Kahjustatud lõikeosa tuleb alati välja vahetada.
- Kontrollige, kas lõiketera on kahjustatud või nüri.

Märkus: Teritamise järel tuleb lõiketera tasakaalustada. Lõiketera teritamine, asendamine ja tasakaalustamine usaldage hooldustehnikule. Kui toode pörkub vastu eset, mis põhjustab toote seiskumise, vahetage välja kahjustatud lõiketera. Laske hoolduskeskuses hinnata, kas tera saab teritada või tuleb see välja vahetada.

Lõiketera vahetamine

- Lukustage lõiketera mõne puuklotsiga. (Joon. 34)
- Eemaldage lõiketera polt, vedruseib ja lõiketera. (Joon. 35)
- Kontrollige, et lõiketera toel ja lõiketera poldil poleks kahjustusi.
 - Kui vahetate lõiketera või lõiketera toe, tuleb vahetada ka lõiketera polt, vedruseib ja hõõrdeseib.

- Kontrollige mootori võlli ja veenduge, et see poleks väändunud.
- Uue lõiketera kinnitamisel veenduge, et painutatud otsad oleks suunatud lõikekorpuse poole. (Joon. 36)
- Pange hõõrdeseib ja lõiketera vastu lõiketera tuge. (Joon. 37)
- Veenduge, et lõiketera ja mootori võlli kese oleksid kohakuti. (Joon. 38)
- Lukustage lõiketera mõne puuklotsiga. (Joon. 39)
- Kinnitage vedruseib ja pingutage polti momendiga 80 Nm. (Joon. 40)
- Keerake tera käega, veendumaks, et see pöörleb vabalt.



HOIATUS: Kasutage kaitsekindaid. Lõiketera on väga terav ja võib kergesti põhjustada lõikevigastusi.

- Tera katsetamiseks käivitage toode. Kui tera on valesti kinnitatud, siis toode vibreerib ja niitmistulemus pole rahuldav.

Õlitaseme kontrollimine



ETTEVAATUST: Liiga madal õlitase võib mootorit kahjustada. Enne toote käivitamist kontrollige õlitaset.

- Asetage toode tasasele pinnale.
- Sulgege kütuseklapp.
- Eemaldage õlipaagi kork koos kinnitatud mõõtevarraga.
- Puhastage mõõtevarras õlist.
- Pange mõõtevarras õlipaaki, aga ärge keerake õlipaagi korki kinni.
- Eemaldage õlivarras.
- Vaadake mõõtevardalt õlitaset.
- Kui õlitase on madal, lisage mootoriõli ja kontrollige õlitaset uuesti. Õlitase on õige, kui see ulatub mõõtevarda ülemise tähiseni.

Mootoriõli vahetamine



HOIATUS: Vahetult pärast mootori seiskamist on mootoriõli väga kuum. Enne mootoriõli väljutamist laske mootoril maha jahtuda. Kui mootoriõli satub nahale, puhastage piirkond vee ja seebiga.

- Kasutage toodet, kuni kütusepaak on tühi.
- Eemaldage süüteküünla süütejuhe.
- Eemaldage õlipaagi kork.
- Asetage toote alla mõni mahuti, kuhu mootoriõli saaks valguda.

- Kallutage toodet, et mootoriõli valguks õlipaagist välja.
- Lisage uut mootoriõli (vt jaotises *Tehnilised andmed lk 104* soovitatud tüüpi).
- Kontrollige õlitaset. Vt jaotist *Õlitaseme kontrollimine lk 102*.

Õhufiltri puhastamine



ETTEVAATUST: Ärge käivitage mootorit, kui õhufilter puudub või on määrduanud.



ETTEVAATUST: Kui õhufilter ei lähe täielikult puhtaks või on kahjustatud, vahetage see välja. Defektne õhufilter kahjustab mootorit.

- Vajutage lukustussakke (A), eemaldage õhufiltri kate (B) ja eemaldage õhufilter (C). (Joon. 41)
- Koputage õhufiltrit vastu kõva pinda või puhuge suruõhku puhta õhu poolelt läbi õhufiltri.



ETTEVAATUST: Ärge kasutage mustuse eemaldamiseks harja, kuna see lükkab mustuse õhufiltri sisse.

- Puhastage õhufiltri hoidik (D) ja õhufiltri kate niiske riidelapiga.



ETTEVAATUST: Veenduge, et õhukanalisse (E) ei satuks mustust.

- Paigaldage õhufilter. Veenduge, et õhufilter liibuks tihedalt vastu õhufiltri hoidikut.
- Paigaldage õhufiltri kate, asetades esmalt oma kohale alumised sakid.

Süüteküünla kontrollimine



ETTEVAATUST: Kasutage alati soovitatud tüüpi süüteküünalt. Vale tüüpi süüteküünal võib toodet kahjustada.

- Kontrollige süüteküünalt, kui mootori võimsus on madal, mootor ei käivitu kergesti või ei tööta tühikäigul korralikult.
- Süüteküünla elektroodide võõrainete kogunemise ohu vähendamiseks täitke järgmisi juhiseid.
 - Veenduge, et tühikäigu pöörete arv on õigesti seadistatud.
 - Veenduge, et kütusesegu oleks õige.
 - Veenduge, et õhufilter oleks puhas.
- Kui süüteküünal on määrduanud, puhastage see ja kontrollige, kas elektroodide vahe on õige, vt jaotist *Tehnilised andmed lk 104*. (Joon. 42)
- Vajaduse korral vahetage süüteküünal välja.

Kütusesüsteemi kontrollimine

- Kontrollige kütusepaagi korki ja selle tihendit kahjustuste suhtes.
- Kontrollige kütusevoolikut lekete suhtes. Kahjustatud kütusevooliku laske hooldustöökojas välja vahetada.

Siduritrossi reguleerimine

Kui vedu on aeglane, tuleb siduritrossi reguleerida.

- Keerake reguleerimiskruvi. (Joon. 43)

Siduritross on õigesti reguleeritud, kui siduritrossi kronstein on mutriga kohakuti.

(Joon. 44)

Transportimine, hoiulepanek ja utiliseerimine

Transportimine ja hoiustamine

- Toote kütuse transportimisel ning hoiustamisel veenduge, et puuduvad lekked ja aarud. Elektriseadmetest või boileritest pärit sädemed ja lahtine leek võivad põhjustada tulekahju.
- Kütuse transportimiseks ja hoiustamiseks kasutage heakskiidetud mahuteid.
- Toote pikaks ajaks hoiule panemisel tühjendage eelnevalt kütusepaak. Kõrvaldage kütus spetsiaalses jäätmejaamas.
- Transportimisel kinnitage toode ohutult, et ära hoida kahjustusi ja õnnetusi.

- Hoidke toodet lukustatud kohas, kus sellele ei pääse juurde lapsed ega volitamata isikud.
- Hoidke toodet kuivas kohas, mis ei külmu.

Kõrvaldamine

- Järgige kohalikke jäätmekäitluseeskirju ja kehtivaid seadusi.
- Kemikaalid (nt mootoriõli ja kütus) kõrvaldage hoolduskeskuses või spetsiaalses jäätmejaamas.
- Kui toodet enam ei kasutata, toimetage see Husqvarna edasimüüjale või kõrvaldage see taaskasutuskeskuses.

Tehnilised andmed

Tehnilised andmed

	KLIPPO LB 448S	KLIPPO LB 453S	KLIPPO LB 548S e
Mootor			
Kaubamärk	Honda	Honda	Honda
Silindrimaht, cm ³	145	166	166
Kiirus, p/min	2900	2900	2900
Mootori nimivõimsus, kW ³⁶	2,7	3,3	3,3
Süütesüsteem			
Süüteküünl	NGK BPR5ES	NGK BPR5ES	NGK BPR5ES
Elektroodide vahe, mm	0,7–0,8	0,7–0,8	0,7–0,8
Kütuse-/määrimissüsteem			
Bensiinipaagi maht, l	0,9	0,9	0,9
Õlipaagi maht, liitrit	0,55	0,5	0,55
Mootoriõli ³⁷	SAE 10W-30	SAE 10W-30	SAE 10W-30
Mass			
Tühjade paakidega, kg	30,5	33	32,5
Müraemissioon ³⁸			
Helivõimsuse tase, mõõdetud dB(A)	90	91	90
Müravõimsustase, garanteeritud L _{WA} dB(A)	91	94	91
Müratase ³⁹			
Helirõhutase kasutaja kõrva juures, dB(A)	77	78	78
Vibratsioonitasemed, a_{hveq} ⁴⁰			
Käepide, m/s ²	4,5	5,3	4,8
Lõikeosa			

³⁶ Mootori näidatud võimsusklass on antud mootorimudeli järgi toodetud tüüp mootori keskmine netovõimsus (kindla pöörete arvu juures), mõõdetud vastavalt SAE standardile J1349/ISO1585. Masstoodangust tulnud mootoritel võib see väärtus pisut erineda. Seadmele paigaldatud mootori tegelik võimsus oleneb töökiirusest, keskkonnatingimustest ja muudest teguritest.

³⁷ Kasutage SG–SH-kvaliteediga mootoriõli. Vaadake mootori tootja juhendis olevat viskoossuste tabelit ja vali-ge vastavalt eeldatavale väliskeskonna temperatuurile sobivaim viskoossus.

³⁸ Müraemissioon ümbritsevasse keskkonda, mõõdetud helivõimsuse tasemena (L_{WA}) vastavalt EÜ direktiivile 2000/14/EÜ.

³⁹ Helirõhutase vastavalt standardile ISO 5395. Müra rõhutase kohta toodud andmete statistiline dispersioon (standardhälve) on 1,2 dB(A).

⁴⁰ Vibratsioonitase standardi ISO 5395 järgi. Vibratsioonitase kohta toodud andmete tüüpiline statistiline dispersioon (standardhälve) on 0,2 m/s².

	KLIPPO LB 448S	KLIPPO LB 453S	KLIPPO LB 548S e
Lõikekõrgus, mm	30–60	30–60	30–60
Lõikamislaius, mm	480	530	480
Lõiketera	Multš – 48 cm 5028813-10	Multš – 53 cm 5028814-10	Multš – 48 cm 5028813-10
Ajam			
Kiirus, km/h	4,5	4,5	4,5

EÜ vastavusdeklaratsioon

EÜ vastavusdeklaratsioon

Husqvarna AB, SE-561 82 Huskvarna, Rootsi, tel:
+46-36-146500, kinnitab, et **muruniidukid Husqvarna
KLIPPO LB 448S, KLIPPO LB 453S, KLIPPO LB 548S**
e alates seerianumbrist 2020xxxxxxx vastavad järgmiste
NÖUKOGU DIREKTIIVIDE nõuetele:

- **2006/42/EÜ** (17. mai 2006), masinadirektiiv;
- **2014/30/EL** (26. veebruar 2014), elektromagnetilise ühilduvuse direktiiv;
- **2000/14/EÜ** (8. mai 2000), müradirektiiv.
- **2011/65/EL** (8. juuni 2011) direktiiv „teatavate ohtlike ainete kasutamise piiramise kohta elektri- ja elektroonikaseadmetes“

Müra taseme kohta leiab teavet tehniliste andmete osast.

Rakendatud on järgmisi standardeid:

**EN ISO 5395-1, EN ISO 5395-2, EN ISO 5395-2 Amd1,
EN ISO 5395-2 Amd 2, EN 55012, EN 50581:2012**

Kui pole märgitud teisiti, mõeldakse ülalpool loetletud standardite all nende kõige viimaseid avaldatud versioone.

Teavitatud asutus: **0404, RISE SMP Svensk Maskinprovning AB, Box 7035, SE-750 07 Uppsala** on esitanud vastavushindamisega seonduvad aruanded, nagu on nõutud NÖUKOGU 8. mai 2000. aasta MÜRADIREKTIIVI 2000/14/EÜ VI lisas.

Huskvarna, 2020-09-16



Claes Losdal, aiandustoodete arendusdirektor
(Husqvarna AB volitatud esindaja, tehnilise dokumentatsiooni vastutav juht)

Sisällys

Johdanto.....	107	Huolto.....	112
Turvallisuus.....	108	Kuljettaminen, säilyttäminen ja hävittäminen.....	115
Asentaminen.....	111	Tekniset tiedot.....	116
Käyttö.....	111	EY-vaatimustenmukaisuusvakuutus.....	118

Johdanto

Tuotekuvaus

Tuote on kävellen ohjattava ja pyörivä ruohonleikkuri. Tuotteessa on BioClip®-toiminto, joka leikkaa ruohon pieniksi paloiksi ja tekee siitä lannoitetta.

Laitteen kuvaus

(Kuva 1)

1. Kahva/kahvasto
2. Moottorin jarrukahva
3. Ohjaussauva
4. Käynnistysnarun kahva
5. Öljysäiliön korkki
6. Hihnansuojus
7. Äänenvaimennin
8. Sytytystulppa
9. Hihnansuojus
10. Polttoainesäiliö
11. Käsikahvan kulman säätövipu
12. Tärinävaimennus
13. Kytkinjohdon säätö
14. Alavarsi
15. Leikkuukorkeuden säätövipu
16. Polttoaineventtiili
17. Ilmansuodatin
18. Leikkuusuojus
19. Jousialuslevy
20. Terän pultti
21. Terä
22. Terätuki
23. Silppurin tulppa (KLIPPO LB 448S, KLIPPO LB 548S e)
24. Käyttöohjekirja

Laitteen symbolit

(Kuva 2) VAROITUS: Huolimaton tai virheellinen käyttö voi aiheuttaa käyttäjälle tai sivullisille vammoja tai kuoleman.

(Kuva 3) Lue käyttöohje huolellisesti ja varmista, että ymmärrät sen sisällön, ennen kuin alat käyttää konetta.

Käyttötarkoitus

Käytä laitetta ruohon leikkuuseen. Älä käytä laitetta muihin tehtäviin.

(Kuva 4) Varo sinkoutuvia esineitä ja kimmokkeita.

(Kuva 5) Pidä sivulliset ja eläimet turvallisen välimatkan päässä työalueesta.

(Kuva 6) Pysäytä moottori ja poista sytytyskaapeli ennen korjaus- tai huoltotöitä.

(Kuva 7) Varoitus: Pidä kädet ja jalat poissa pyörivien osien läheisyydestä.

(Kuva 8) Varoitus: Pidä kädet ja jalat poissa pyörivän terän läheisyydestä.

(Kuva 9) Tämä laite täyttää sovellettavien EY-direktiivien vaatimukset.

(Kuva 10) Melupäästöt ympäristöön eurooppalaisen direktiivin 2000/14/EY ja Uuden Etelä-Walesin lainsäädännön Protection of the Environment Operations (Noise Control) Regulation 2017 -asetuksen mukaisesti. Melupäästöt ilmoitetaan koneen arvokilvessä ja luvussa Tekniset tiedot.

(Kuva 11) Skannattava koodi.

Huomautus: Muita laitteen symboleita/tarroja tarvitaan joillakin markkina-alueilla ilmaisemaan sertifiointivaatimuksia.

Laitetarra, vain Australia ja Uusi-Seelanti

(Kuva 12)

Pidä kädet ja jalat poissa pyörivän terän läheisyydestä.

Euro V -päästöt



VAROITUS: Moottorin muokkaaminen mitätöi tuotteen EU-tyyppihyväksynnän.

Tuotevastuu

Tuotevastuulain mukaisesti emme ole vastuussa tuotteen aiheuttamasta vaurioista, jos

- tuote on korjattu virheellisesti
- tuotteen korjaamiseen on käytetty muita kuin valmistajan omia tai sen hyväksymiä osia
- tuotteessa on muu kuin valmistajan oma tai sen hyväksymä lisävaruste
- tuotetta ei ole korjattu valtuutetussa huoltopisteessä tai hyväksytyllä asiantuntijalla.

Turvallisuus

Turvallisuusmääritelmät

Varoituksia, huomioita ja huomautuksia käytetään, kun jotakin käyttöohjeen osaa halutaan erityisesti korostaa.



VAROITUS: Tätä käytetään, jos käyttöohjeen noudattamatta jättämisestä voi seurata käyttäjän tai sivullisen vamma tai kuolema.



HUOMAUTUS: Tätä käytetään, jos käyttöohjeen noudattamatta jättämisestä voi seurata koneen, muiden materiaalien tai ympäristön vaurioituminen.

Huomautus: Tätä käytetään tietyissä tilanteissa tarvittavien lisätietojen antamiseen.

Yleiset turvaohjeet



VAROITUS: Lue seuraavat varoitusohjeet ennen laitteen käyttämistä.

- Tämä laite on vaarallinen, jos sitä käytetään huolimattomasti tai virheellisesti. Turvaohjeiden noudattamatta jättäminen voi aiheuttaa vammoja tai kuoleman.
- Laite muodostaa käytön aikana sähkömagneettisen kentän. Kenttä saattaa joissakin olosuhteissa häiritä aktiivisten tai passiivisten lääketieteellisten implanttien toimintaa. Vakavien tai hengenvaarallisten tapaturmien ehkäisemiseksi kehotamme lääketieteellisiä implantteja käyttäviä henkilöitä neuvottelemaan lääkärin ja lääketieteellisen implantin valmistajan kanssa ennen laitteen käyttämistä.
- Ole aina varovainen ja käytä tervettä järkeä. Jos et ole varma, miten laitetta käytetään erityistilanteessa, sammuta laite ja ota yhteys Husqvarna-jälleenmyyjään, ennen kuin jatkat.
- Muista, että käyttäjä on vastuussa muille ihmisille tai heidän omaisuudelleen aiheutuvista vahingoista.

- Pidä laite puhtaana. Varmista, että tuotteen merkit ja tarrat ovat luettavissa.
- Älä anna kenenkään käyttää konetta, ellei ole varma, että käyttäjä on lukenut käyttöohjekirjan ja ymmärtänyt siinä annetut ohjeet.
- Älä anna lasten käyttää laitetta.
- Pidä lapset poissa työskentelyalueelta. Vastuullisen aikuisen on oltava aina paikalla.
- Älä anna kenenkään sellaisen henkilön käyttää laitetta, joka ei tunne ohjeita.
- Valvo aina laitetta käyttävää henkilöä, jonka fyysiset tai psyykkiset taidot ovat heikentyneet. Vastuullisen aikuisen on oltava aina paikalla.
- Älä käytä laitetta ollessasi väsynyt tai sairas tai jos olet alkoholin, huumaavien aineiden tai lääkkeiden vaikutuksen alaisena. Niillä on negatiivinen vaikutus näkökykyysi, vireyteesi, harkintakykyysi ja kehosi hallintaan.
- Älä käytä konetta, jos se on viallinen.
- Älä tee koneeseen muutoksia tai käytä konetta, mikäli epäilet jonkun muun muuttaneen sitä.
- Älä tee muutoksia moottorin käyntinopeuden hallintaan.

Työalueen turvallisuus



VAROITUS: Lue seuraavat varoitusohjeet ennen koneen käyttämistä.

- Poista työskentelyalueelta oksat, risut ja kivet ennen tuotteen käyttämistä.
- Terävarustukseen osuvat esineet sinkoutuvat edelleen ja voivat siten aiheuttaa vahinkoa ihmisille ja esineille. Pidä sivulliset ja eläimet turvallisen välimatkan päässä tuotteesta.
- Älä koskaan käytä tuotetta huonolla säällä esimerkiksi sumussa, sateessa, kovassa tuulessa, ankarassa pakkasessa tai ukkosella. Tuotteen käyttäminen huonolla säällä tai kosteissa tai märissä olosuhteissa on raskasta. Huono sää voi aiheuttaa vaaratilanteita, kuten liukastumisvaaran.
- Varo henkilöitä, esineitä ja tilanteita, jotka voivat estää tuotteen turvallisen käytön.

- Varo esteitä, kuten juuria, kiviä, risuja, kuoppia ja oja. Pitkän ruohon seassa voi olla esteitä.
- Ruohon leikkaaminen rinteissä voi olla vaarallista. Älä käytä tuotetta rinteessä, jonka kaltevuus on yli 15°.
- Käytä tuotetta sivusuunnassa rinteeseen nähden. Älä käytä tuotetta pystysuunnassa.
- Ole varovainen lähestyessäsi piilossa olevia kulmia ja esineitä, jotka estävät näkyvyyden.

Työturvallisuus



VAROITUS: Lue seuraavat varoitusohjeet ennen laitteen käyttämistä.

- Käytä tätä tuotetta ainoastaan nurmikoiden leikkaamiseen. Tuotteita ei saa käyttää muihin käyttötarkoituksiin.
- Käytä henkilökohtaisia suojarusteita. Katso *Henkilökohtainen suojarustus sivulla 109*.
- Opettele pysäyttämään moottori nopeasti hätätilassa.
- Älä koskaan käynnistä moottoria suljetussa tilassa tai lähellä herkästi syttyviä materiaaleja. Moottorin pakokaasu on kuumaa ja se voi sisältää kipinöitä, jotka voivat aiheuttaa tulipalon.
- Älä käytä tuotetta, ellei sen terää ja kaikkia suojuksia ole kiinnitetty asianmukaisesti. Virheellisesti kiinnitetty terä saattaa irrota ja aiheuttaa henkilövahinkoja.
- Varmista, ettei terä osu kiviin ja juuriin. Tämä voi vaurioittaa terää, ja kampiakseli voi vääntyä. Vääntynyt akseli aiheuttaa voimakasta tärinää. Tällöin on erittäin suuri riski, että terä irtoaa.
- Jos terä osuu esineeseen tai alkaa tärinästä, pysäytä tuote välittömästi. Irrota sytytyskaapeli sytytystulpasta. Tarkista tuote vaurioiden varalta. Korjaa vauriot tai tee korjaustyöt valtuutetussa huoltoliikkeessä.
- Älä koskaan liitä moottorin jarrukahvaa pysyvästi kahvaan moottoria käynnistettäessä.
- Aseta tuote kiinteälle, tasaiselle alustalle ja käynnistä se. Varmista, ettei terä pääse osumaan maahan tai mihinkään esineeseen.
- Ole aina tuotteen takana käyttäessäsi sitä.
- Pidä kaikki renkaat maassa ja molemmat kätesi työntöaisalla käyttäessäsi tuotetta. Pidä kätesi ja jalkasi poissa pyörievien terien läheisyydestä.
- Älä kallista tuotetta moottorin käynnistyksen aikana.
- Ole varovainen vetäessäsi tuotetta taaksepäin.
- Älä koskaan nosta tuotetta moottorin käynnistyksen aikana. Jos tuotetta täytyy nostaa, sammuta ensin moottori ja irrota sytytyskaapeli sytytystulpasta.
- Älä kävele taaksepäin käyttäessäsi tuotetta.
- Sammuta moottori, kun siirät tuotteen ruohottoman alueen yli, esimerkiksi ylittäessäsi sora-, kivi- tai asfalttipolkuja.

- Älä juokse tuotteen kanssa, kun moottoria käynnistetään. Kävele aina, kun käytät tuotetta.
- Sammuta moottori ennen kuin muutat leikkuukorkeutta. Älä koskaan tee säätöjä moottorin käydessä.
- Älä koskaan jätä laitetta ilman valvontaa moottorin käydessä. Sammuta moottori ja varmista, ettei terävarustus pyöri.

Turvallisuusohjeet käyttöä varten

Henkilökohtainen suojarustus



VAROITUS: Lue seuraavat varoitusohjeet ennen koneen käyttämistä.

- Henkilökohtaiset suojarusteet eivät poista tapaturmien vaaraa, mutta ne lieventävät vammoja onnettomuusilanteessa. Anna jälleenmyyjän auttaa oikeiden varusteiden valinnassa.
- Käytä kuulonsuojaimia, kun melutaso on yli 85 dB.
- Käytä kestäviä luistamattomia saappaita tai kenkiä. Älä käytä avonaisia jalkineita tai kulje paljain jaloin.
- Käytä vahvakankaisia, pitkiä housuja.
- Käytä suojakäsineitä tarvittaessa, esimerkiksi terävarustuksen asennuksen, tarkastuksen ja puhdistuksen aikana.

Tuotteen turvalaitteet



VAROITUS: Lue seuraavat varoitusohjeet ennen laitteen käyttämistä.

- Älä käytä laitetta, jos jokin sen turvalaitteista on rikki.
- Tarkasta turvalaitteet säännöllisesti. Jos turvalaitteissa on vikoja, ota yhteyttä Husqvarna-huoltoliikkeeseen.

Leikkuusuojuksen tarkistaminen

Leikkuusuojuus vähentää laitteen tärinää ja terän aiheuttamaa tapaturmavaaraa.

- Tarkista leikkuusuojuus vaurioiden, kuten halkeamien, varalta.

Hihnansuojuksen tarkistaminen

Hihnansuojuus vähentää tapaturmavaaraa ja varmistaa, että rikkoutunut hihna pysyy paikallaan.

- Varmista, että hihnansuojuus ei ole vaurioitunut ja on kiinnitetty oikein. (Kuva 13)

Hihnansuojuksen tarkistaminen

Hihnansuojuus vähentää tapaturmavaaraa ja varmistaa, että rikkoutunut hihna pysyy paikallaan.

- Varmista, että hihnansuojuus ei ole vaurioitunut ja on kiinnitetty oikein. (Kuva 14)

Moottorin jarrukahva

Moottorin jarrukahva pysäyttää moottorin. Kun moottorin jarrukahva vapautetaan, moottori pysähtyy.

Tarkista moottorijarru käynnistämällä moottori ja vapauttamalla sitten moottorin jarrukahva. Jos moottori ei pysähdy 3 sekunnissa, anna valtuutetun Husqvarna-huoltoliikkeen säätää moottorijarru.

(Kuva 15)

Tärinänvaimennusjärjestelmän tarkistaminen



VAROITUS: Liiallinen altistuminen tärinälle saattaa aiheuttaa verisuoni- tai hermovaurioita verenkiertohäiriöistä kärsiville henkilöille. Hakeudu lääkäriin, jos havaitset oireita, jotka voivat liittyä liialliseen tärinälle altistumiseen. Esimerkkejä tällaisista oireista ovat: huimaus, tunnottomuus, "kutina", "pistely", kipu, voimattomuus tai heikkous, ihon värin tai pinnan muutokset. Näitä oireita esiintyy tavallisesti sormissa, käsissä tai ranteissa.

Tärinänvaimennusjärjestelmä vähentää kahvan tärinää käytön aikana.

Kahvaston ja leikkuusuojuksen teräsputki vähentää tärinää. Mallissa KLIPPO LB 548S on myös neljä kahvaston kiinnitettyä tärinänvaimennuselementtiä.

- Tarkista, että kahvasto ja tärinänvaimennuselementit ovat kunnossa. (Kuva 16)

Terätuki

Terätuki vähentää moottorin akselin vääntymisvaaraa. Jos terä osuu esineeseen, terä siirtyy vasten terätukea. Liike kuluttaa terätuen pintaa. Kuluma osoittaa, että moottorin akselin suojaus toimii oikein.

Äänenvaimennin

Äänenvaimennin pitää äänitason mahdollisimman alhaisena ja ohjaa moottorin pakokaasut käyttäjästä pois päin.

Älä käytä konetta, jos äänenvaimennin on vaurioitunut tai puuttuu kokonaan. Viallinen äänenvaimennin suurentaa melutasoa ja tulipalon vaaraa.



VAROITUS: Äänenvaimennin on erittäin kuuma käytön aikana, heti käytön jälkeen ja moottorin käydessä joutokäyntinopeudella. Ole varovainen syttyvien materiaalien ja/tai kaasujen lähistöllä, jotta et aiheuta tulipaloa.

Äänenvaimentimen tarkistaminen

- Tarkista äänenvaimennin säännöllisesti vaurioiden varalta ja varmista, että se on kiinnitetty oikein.

Polttoaineturvallisuus



VAROITUS: Lue seuraavat varoitusohjeet ennen koneen käyttämistä.

- Älä käynnistä laitetta, jos sen päällä on polttoainetta tai moottoriöljyä. Poista ylimääräinen polttoaine tai öljy ja anna laitteen kuivua.
- Jos olet läikyttänyt polttoainetta vaatteillesi, vaihda vaatteet heti.
- Varo, ettei iholle pääse polttoainetta, sillä se voi aiheuttaa vamman. Jos ihollesi joutuu polttoainetta, pese se pois vedellä ja saippualla.
- Älä käynnistä laitetta, jos moottori vuotaa. Tarkista moottori säännöllisesti vuotojen varalta.
- Käsittele polttoainetta varoen. Polttoaine on syttyvää ja kaasut ovat räjähdysherkkiä, mikä voi aiheuttaa tapaturman tai kuoleman.
- Älä hengitä polttoainehöyryjä, sillä ne voivat aiheuttaa vamman. Varmista, että ilmanvirtaus on riittävä.
- Älä tupakoi polttoaineen tai moottorin lähistöllä.
- Älä sijoita lämpimiä esineitä polttoaineen tai moottorin lähelle.
- Älä lisää polttoainetta, kun moottori on käynnissä.
- Varmista ennen polttoaineen lisäämistä, että moottori on jäähtynyt.
- Ennen kuin lisää polttoainetta, avaa polttoainesäiliön korkki hitaasti ja vapauta paine varovasti.
- Älä lisää polttoainetta moottoriin sisätilassa. Jos ilmanvirtaus ei ole riittävä, tukehtuminen tai hiilimonoksidin hengittäminen voi aiheuttaa vamman tai kuoleman.
- Kiristä polttoainesäiliön korkki tiukasti. Polttoainesäiliön korkin riittämätön kiristys aiheuttaa tulipalovaaran.
- Siirrä laite ennen käynnistystä vähintään 3 metrin päähän paikasta, jossa lisäsit polttoainetta.
- Älä täytä polttoainesäiliötä täyteen. Kuumuus saa polttoaineen laajenemaan. Jätä polttoainesäiliön päälle tyhjää tilaa.

Turvaohjeet huoltoa varten



VAROITUS: Lue seuraavat varoitusohjeet ennen koneen käyttämistä.

- Moottorin pakokaasut sisältävät hiilimonoksidia, joka on hajuton, myrkyllinen ja erittäin vaarallinen kaasu. Älä käynnistä moottoria sisällä tai suljetuissa tiloissa.
- Jos tuotetta täytyy huoltaa, sammuta ensin moottori ja irrota sytytyskaapeli sytytystulpasta.
- Käytä suojakäsineitä huoltaessasi terävarustusta. Terä on erittäin terävä ja aiheuttaa helposti haavoja.

- Lisävarusteet ja muut kuin valmistajan hyväksymät muutokset tuotteeseen voivat aiheuttaa vakavan vamman tai kuoleman. Älä tee tuotteeseen muutoksia. Käytä vain valmistajan hyväksymiä lisävarusteita.
- Jos tuotetta ei ole huollettu asianmukaisesti ja säännöllisesti, tapaturmien ja tuotteen vaurioitumisen vaara kasvaa.
- Huolla tuote ainoastaan käyttöohjekirjassa annettujen ohjeiden mukaisesti. Kaikki muut huoltoimet on tehtävä valtuutetussa Husqvarna-huoltoliikkeessä.
- Anna valtuutetun Husqvarna-huolto liikkeen huoltaa tuote säännöllisesti.
- Vaihda vaurioituneet, kuluneet tai rikkoutuneet osat.

Asentaminen

Johdanto



VAROITUS: Ennen kuin asennat laitteen, lue turvallisuutta käsittelevä luku niin, että ymmärrät sen sisällön.



VAROITUS: Irrota sytytystulpan johto sytytystulpasta ennen laitteen asentamista.

Kahvan asentaminen ja säätäminen

1. Irrota kahvamutteri ja aluslevy yläkahvan levystä.
2. Aseta yläkahva paikalleen alakahvan päälle.



HUOMAUTUS: Varmista, että johdot eivät jää väliin tai vahingoitu.

3. Kiinnitä aluslevy ja kahvamutteri. (Kuva 17)
4. Voit parantaa käyttöasentoa kääntämällä kahvaa sivulle, kun käytät laitetta seinän vieressä. (Kuva 18)
5. Säädä kahvaa pystysuunnassa kääntämällä rungon säätöpyöriä. (Kuva 19)

Silppurin tulpan asentaminen KLIPPO LB 448S, KLIPPO LB 548S e

1. Kallista laitetta taaksepäin niin, että sytytystulppa on ylöspäin.
2. Aseta silppurin tulpan tapit leikkuusuojuksen sisäpinnan reikiin. (Kuva 20)
3. Kiinnitä silppurin tulpan ruuvit leikkuusuojuksen ulkopuolelta. (Kuva 21)

Käyttö

Johdanto



VAROITUS: Lue turvallisuutta käsittelevä luku niin, että ymmärrät sen sisällön, ennen laitteen käyttämistä.

Husqvarna Connect

Husqvarna Connect on ilmainen mobiililaitesovellus. Husqvarna Connect -sovellus saat lisätoimintoja Husqvarna-koneeseen:

- Enemmän tuotetietoja.
- Tietoja koneen osista ja huolto-ohjeita.

Husqvarna Connect -käytön aloittaminen

1. Lataa Husqvarna Connect -sovellus mobiililaitteeseesi.
2. Rekisteröi Husqvarna Connect -sovelluksessa.
3. Liitä ja rekisteröi kone Husqvarna Connect -sovelluksen ohjeiden mukaan.

Ennen tuotteen käyttöä

1. Lue käyttöohje huolellisesti ja varmista, että ymmärrät sen sisältämät ohjeet.
2. Tutki terävarustus ja varmista, että se on kiinnitetty ja säädetty asianmukaisesti. Katso *Terävarustuksen tarkistaminen sivulla 114*.
3. Täytä polttoainesäiliö. Katso *Polttoaineen lisääminen sivulla 111*.
4. Lisää öljysäiliöön öljyä ja tarkista öljytaso. Katso *Öljyn määrän tarkistaminen sivulla 114*.

Polttoaineen lisääminen

Käytä ympäristöä säästävää bensiiniä tai alkylaattibensiiniä, jos niitä on saatavilla. Jos ympäristöä säästävää bensiiniä tai alkylaattibensiiniä ei ole saatavilla, käytä lyijytöntä tai lyijyllistä laatubensiiniä, jonka oktaaniluku on vähintään 90.



HUOMAUTUS: Älä käytä bensiiniä, jonka oktaaniluku on pienempi kuin 90 RON (87 AKI). Se voi vaurioittaa laitetta.

1. Vapauta polttoainesäiliöstä painetta avaamalla polttoainesäiliön korkki hitaasti.
2. Kaada polttoainesäiliöön hitaasti polttoainetta. Jos öljyä läikkyy, pyyhi öljy pois liinalla ja anna öljyjäämien kuivua.
3. Pyyhi polttoainesäiliön korkin ympäristö puhtaaksi.
4. Kiristä polttoainesäiliön korkki tiukasti. Polttoainesäiliön korkin riittämätön kiristys aiheuttaa tulipalovaaran.
5. Siirrä tuote ennen käynnistystä vähintään 3 metrin (10 jalan) päähän paikasta, jossa lisäsit polttoainetta.



VAROITUS: Älä kiedo käynnistysnarua kätesi ympärille.



HUOMAUTUS: Älä vedä käynnistysnarua kokonaan ulos. Älä irrota otetta käynnistysnarusta, kun se on ulkona.

Vetojärjestelmän käyttäminen pyörillä

- Työnnä ohjaussauva alas. (Kuva 24)
- Ennen kuin vedät tuotetta taaksepäin, kytke vetojärjestelmä pois käytöstä ja työnnä tuotetta eteenpäin noin 10cm.
- Kytke vetojärjestelmä pois käytöstä vapauttamalla moottorin jarrukahvaa hieman esimerkiksi lähestyessäsi estettä.

Laitteen pysäyttäminen

- Jos haluat pysäyttää vain vetojärjestelmän, vapauta moottorin jarrukahvaa hieman.
- Pysäytä moottori vapauttamalla moottorin jarrukahvaa kokonaan.
- Sulje polttoaineventtiili. (Kuva 25)

Hyvän tuloksen saavuttaminen

- Käytä aina hyvin teroitettua terää. Tylsä terä leikkaa epätasaisesti ja ruohosta tulee keltaista leikatun pinnan kohdalta. Hyvin teroitettu terä käyttää myös tylsää terää vähemmän energiaa.
- Älä leikkaa enempää kuin 1/3 ruohon pituudesta. Aseta leikkuukorkeus ensimmäisellä leikkuukerralla korkeaksi. Tutkittuasi leikkuutuloksen voit laskea leikkuukorkeuden haluamallesi tasolle. Jos ruoho on erittäin pitkää, kulje hitaasti ja leikkaa nurmikko tarvittaessa kaksi kertaa.
- Leikkaa joka kerta eri suuntiin, jotta nurmikkoon ei tule raitoja.

Leikkuukorkeuden asettaminen

Leikkuukorkeuden säädössä on 6 tasoa.

1. Lisää leikkuukorkeutta siirtämällä leikkuukorkeuden säätövipua eteenpäin.
2. Vähennä leikkuukorkeutta siirtämällä leikkuukorkeuden säätövipua taaksepäin.



HUOMAUTUS: Älä aseta leikkuukorkeutta liian alhaiseksi. Jos ruohikon pinta ei ole tasainen, terät voivat osua maahan.

Laitteen käynnistäminen

1. Varmista, että sytytyskaapeli on liitettynä sytytystulppaan.
2. Avaa polttoaineventtiili. (Kuva 22)
3. Seiso laitteen takana.
4. Pidä moottorin jarrukahvaa kahvasto vasten. (Kuva 23)
5. Pitele käynnistysnarun kahvaa oikealla kädelläsi.
6. Vedä käynnistysnarusta hitaasti, kunnes tunnet hieman vastusta.
7. Käynnistä moottori vetämällä voimakkaasti.

Huolto

Johdanto



VAROITUS: Ennen minkäänlaisten huoltotöiden aloittamista sinun on luettava turvallisuutta käsittelevä luku niin, että ymmärrät sen sisällön.

Kaikkiin tuotteelle tehtäviin huolto- ja korjaustöihin tarvitaan erityiskoulutus. Takaamme, että tuotteemme huolletaan ja korjataan ammattimaisesti. Jos

jälleenmyyjäsi ei ole huoltoliike, pyydä jälleenmyyjää neuvomaan lähin huoltoliike.

Huoltokaavio

Huoltovälit on laskettu laitteen päivittäisen käytön perusteella. Välit voivat muuttua, jos laitetta ei käytetä päivittäin.

Saat lisätietoja *-merkillä merkityistä huolloista kohdasta *Tuotteen turvalaitteet sivulla 109.*

Huolto	Päivittäin	Viikoittain	Kuukausittain
Tee yleistarkastus.	X		

Huolto	Päivittäin	Viikoittain	Kuukausittain
Tarkista öljytaso.	X		
Puhdista laite.	X		
Puhdista ilmansuodatin.	X		
Tarkista terävarustus.	X		
Tarkista leikkuusuojus*.	X		
Tarkista moottorin jarrukahva*.	X		
Tarkista äänenvaimennin*.		X	
Tarkista sytytystulppa.		X	
Tarkista vetohihna vaurioiden varalta.			X
Puhdista vaihdekotelo.			X
Vaihda öljy (ensimmäisten 5 käyttötunnin jälkeen ja sitten 25 käyttötunnin välein).			X
Vaihda ilmansuodatin.			X
Tarkista polttoainejärjestelmä.			X
Tarkista ja säädä vetojärjestelmä (kytkinjohto).			X

Yleistarkastus

- Varmista, että laitteen kaikki ruuvit ja mutterit on kiristetty oikein.

Laitteen puhdistaminen ulkopuolelta

- Poista lehdet, ruoho ja lika harjalla.
- Varmista, ettei moottorin yläosassa sijaitseva ilmanottoaukko ole tukkeutunut.
- Älä käytä laitteen puhdistamiseen painepesuria.
- Jos käytät tuotteen puhdistamiseen vettä, älä suihkuta vettä suoraan moottoriin.

Leikkuusuojuksen sisäpinnan puhdistaminen

1. Aseta laite kyljelleen äänenvaimennin alaspäin.



HUOMAUTUS: Jos laite asetetaan ilmansuodatin alaspäin, moottori saattaa vaurioitua.

2. Pese leikkuusuojuksen sisäpinta vesiletkulla.

Vetohihnan ja tarkistaminen vaihdekotelon puhdistaminen

1. Irrota hihnansuojuksen neljä ruuvia ja hihnansuojus. (Kuva 26)
2. Tarkista vetohihna ja hihnapyörä vaurioiden varalta.

3. Poista vaihteistokotelosta lehdet, ruoho ja lika harjalla. (Kuva 27)

Vetohihnan vaihtaminen ja säätäminen

1. Irrota hihnansuojuksen neljä ruuvia ja hihnansuojus. (Kuva 26)
2. Aseta ruuvimeisseli pölykapselin ja laitteen oikean etupyörän väliin.
3. Irrota pölykapseli kääntämällä ruuvimeisseliä varovasti.
4. Avaa pyörän pultti ja irrota pyörä. (Kuva 28)
5. Irrota vetohihna hihnapyörästä.
6. Varmista, että hihnapyörät liikkuvat helposti akselillaan.
7. Ruiskuta tarvittaessa irrotusöljyä hihnapyörän väliin ja taakse ja voitele akseli.
8. Asenna uusi vetohihna ja varmista ennen hihnan säätämistä, että se sopii kuulalaakeriin. (Kuva 29)
9. Säädä vetohihnaa liikuttamalla kuulalaakeria ylös tai alas. (Kuva 30)

Huomautus: Uusi vetohihna venyy käytössä. Säädä vetohihnaa uudelleen muutaman käyttötunnin jälkeen.

10. Kiinnitä hihnansuojus.
11. Käytä laitetta ja varmista, että vetohihna on oikein asennettu ja säädetty.

Keskivaihtimen vaihtaminen ja säätäminen

1. Irrota terä.

Huomautus: Tämä vaihe ei ole tarpeen, jos säädät vain keskivaihtina.

2. Löysää säätöruuveja muutama kierros, mutta älä irrota niitä. (Kuva 31)
3. Vaihda keskivaihtina ja kiristä säätöruuveja hieman.

Huomautus: Tämä vaihe ei ole tarpeen, jos säädät vain keskivaihtina.

4. Säädä keskivaihtina siirtämällä vaihdetta eteen tai taakse. (Kuva 32)
5. Tarkista keskivaihtimen kireys koukkuvaa'alla. Hihnan kireys on oikea, kun sen keskiosa liikkuu 6–10 mm. Tämä vastaa noin 3 kg:n vetoa. (Kuva 33)
6. Kiristä säätöruuvit kiristysmomenttiin 3 Nm.
7. Käytä laitetta ja varmista, että vetohihna on oikein asennettu ja säädetty.

Terävarustuksen tarkistaminen



VAROITUS: Estä tuotteen tahaton käynnistyminen irrottamalla sytytyskaapeli sytytystulpasta.



VAROITUS: Käytä suojakäsineitä huoltaessasi terävarustusta. Terä on erittäin terävä ja aiheuttaa helposti haavoja.

1. Tutki terävarustus vaurioiden tai halkeamien varalta. Vaurioitunut terävarustus on aina vaihdettava.
2. Tarkista, onko terä vaurioitunut tai tylsä.

Huomautus: Terä on tasapainotettava oikein teroituksen jälkeen. Anna huoltoliikkeen teroittaa, vaihtaa ja tasapainottaa terä. Jos osut esteeseen niin, että tuote pysähtyy, vaihda vaurioitunut terä. Anna huoltoliikkeen arvioida, voiko terän teroittaa vai onko se vaihdettava.

Terän vaihtaminen

1. Lukitse terä puukiilalla. (Kuva 34)
2. Irrota teräpultti, aluslevy ja terä. (Kuva 35)
3. Tarkista terätuki ja -pultti vaurioiden varalta.
 - a) Jos vaihdat terän tai terätuen, vaihda myös teräpultti, jousialuslevy ja kitka-aluslevy.
4. Tutki kampiakseli ja varmista, ettei se ole vääntynyt.
5. Asenna uusi terä siten, että käännettyvät päät osoittavat leikkusuojuksen suuntaan. (Kuva 36)

6. Aseta kitka-aluslevy ja terä terätukea vasten. (Kuva 37)
7. Varmista, että terä on linjassa akselin keskiosan kanssa. (Kuva 38)
8. Lukitse terä puukiilalla. (Kuva 39)
9. Kiinnitä jousialuslevy paikalleen ja kiristä pultti momenttiin 80 Nm. (Kuva 40)
10. Pyöritä terää käsin ja varmista, että se pyörii vapaasti.



VAROITUS: Käytä suojakäsineitä. Terä on erittäin terävä ja aiheuttaa helposti haavoja.

11. Testaa terää käynnistämällä laite. Jos terä ei ole kiinnitetty asianmukaisesti, laite tärisee tai sen leikkutuulos ei ole tyydyttävä.

Öljyn määrän tarkistaminen



HUOMAUTUS: Liian alhainen öljytaso voi vaurioittaa moottoria. Tarkista öljytaso ennen kuin käynnistät laitteen.

1. Aseta laite tasaiselle alustalle.
2. Sulje polttoaineventtiili.
3. Irrota polttoainesäiliön korkki ja mittatikku.
4. Pyyhi mittatikku puhtaaksi öljystä.
5. Laita mittatikku öljysäiliön, mutta älä kiristä öljysäiliön korkkia.
6. Poista mittatikku.
7. Tarkista öljytaso mittatikusta.
8. Jos öljytaso on alhainen, lisää moottoriöljyä ja tarkista öljytaso uudelleen. Öljytaso on oikea, kun se on mittatikun ylämerkissä.

Moottoriöljyn vaihtaminen



VAROITUS: Moottoriöljy on erittäin kuumaa moottorin sammuttamisen jälkeen. Anna moottorin jäähtyä ennen kuin valutat moottoriöljyn pois moottorista. Jos moottoriöljyä joutuu iholle, pese öljy pois vedellä ja saippualla.

1. Käytä konetta, kunnes polttoainesäiliö on tyhjä.
2. Irrota sytytyskaapeli sytytystulpasta.
3. Irrota polttoainesäiliön korkki.
4. Aseta tuotteen alle säiliö, johon valutat öljyn.
5. Tyhjennä moottoriöljy säiliöstä kallistamalla konetta.
6. Lisää uutta moottoriöljyä, jota suositellaan kohdassa *Tekniset tiedot sivulla 116*.
7. Tarkista öljytaso. Katso *Öljyn määrän tarkistaminen sivulla 114*.

Ilmansuodattimen puhdistaminen



HUOMAUTUS: Älä käytä moottoria ilman ilmansuodatinta tai jos ilmansuodatin on likaantunut.



HUOMAUTUS: Vaihda ilmansuodatin, jos se ei puhdistu tai jos se on vaurioitunut. Viallinen ilmansuodatin vahingoittaa moottoria.

1. Paina kielekkeitä (A), irrota ilmansuodattimen kansi (B) ja irrota ilmansuodatin (C). (Kuva 41)
2. Kopauta ilmansuodatinta varovasti kovaa pintaa vasten tai puhdista se puhaltamalla paineilmaa suodattimen puhtaalta puolelta.



HUOMAUTUS: Älä käytä puhdistamiseen harjaa, sillä se työntää ilmansuodattimen sisään likaa.

3. Puhdista ilmansuodattimen kotelo (D) ja kansi kostealla liinalla.



HUOMAUTUS: Varmista, että ilmaputkeen (E) ei pääse likaa.

4. Asenna ilmansuodatin. Varmista, että ilmansuodatin tulee tiiviisti ilmansuodattimen pidintä vasten.
5. Asenna ilmansuodattimen kansi painaen ensin alapuolen kiinnikkeet paikoilleen.

Sytytystulpan tarkistus



HUOMAUTUS: Käytä aina suositeltua sytytystulppaa. Väärä sytytystulpan tyyppi voi aiheuttaa laitteen vaurioitumisen.

- Tarkista sytytystulppa, jos moottorin teho on heikko, moottoria on vaikea saada käyntiin tai se ei toimi oikein joutokäyntinopeudella.
- Ehkäise ylimääräisen materiaalin joutuminen sytytystulpan elektrodeihin noudattamalla seuraavia ohjeita:
 - a) Varmista, että joutokäyntinopeus on säädetty oikein.
 - b) Varmista, että polttoaineseos on oikea.
 - c) Varmista, että ilmansuodatin on puhdas.
- Jos sytytystulppa on karstoittunut, puhdista se ja tarkista samalla, että kärkiväli on oikea, katso *Tekniset tiedot sivulla 116*. (Kuva 42)
- Vaihda sytytystulppa tarvittaessa.

Polttoainejärjestelmän tarkistaminen

- Tutki polttoainesäiliön korkki ja polttoainesäiliön korkin tiiviste vaurioiden varalta.
- Tutki polttoaineletku vuotojen varalta. Jos polttoaineletku on vaurioitunut, vaihdata se huoltoliikkeessä.

Kytkinjohdon säätäminen

Jos vetojärjestelmä tuntuu hitaalta, kytkinjohtoa on säädettävä.

- Käännä säätöruuvia. (Kuva 43)

Kytkinjohto on säädetty oikein, kun sen kannatin on linjassa mutterin kanssa.

(Kuva 44)

Kuljettaminen, säilyttäminen ja hävittäminen

Kuljetus ja säilytys

- Kun säilytät ja kuljetat tuotetta ja polttoainetta, varmista, ettei tuote vuoda polttoainetta tai polttoainehöyryä. Esimerkiksi sähkölaitteista tai lämmityskattiloista peräisin olevat kipinät tai avotuli voivat aiheuttaa tulipalon.
- Käytä polttoaineen säilytyksessä ja kuljettamisessa aina hyväksytyjä polttoainesäiliöitä.
- Tyhjennä tuotteen polttoainesäiliö, jos varastoit tuotteen pitkäksi ajaksi. Hävitä polttoaine viemällä se asianmukaiseen keräyspisteeseen.
- Vältä onnettomuudet ja tuotteen vaurioituminen kiinnittämällä tuote turvallisesti kuljetuksen ajaksi.
- Säilytä tuotetta lukitussa varastossa, jonne lapset ja asiattomat henkilöt eivät pääse.

- Säilytä tuotetta kuivassa paikassa, jossa lämpötila ei laske pakkasen puolelle.

Hävittäminen

- Noudata paikallisia kierrätysvaatimuksia ja säädöksiä.
- Hävitä kaikki kemikaalit, kuten moottoriöljy ja polttoaine viemällä ne huoltoliikkeeseen tai asianmukaiseen keräyspisteeseen.
- Kun tuote tulee elinkaarensa päähän, hävitä tuote lähettämällä se Husqvarna-jälleenmyyjälle tai kierrätyspisteeseen.

Tekniset tiedot

Tekniset tiedot

	KLIPPO LB 448S	KLIPPO LB 453S	KLIPPO LB 548S e
Moottori			
Tuotemerkki	Honda	Honda	Honda
Iskutilavuus, cm ³	145	166	166
Nopeus, r/min	2 900	2 900	2 900
Moottorin nimellisteho, kW ⁴¹	2,7	3,3	3,3
Sytytysjärjestelmä			
Sytytystulppa	NGK BPR5ES	NGK BPR5ES	NGK BPR5ES
Kärkiväli, mm	0,7–0,8	0,7–0,8	0,7–0,8
Polttoaine-/voitelujärjestelmä			
Polttoainesäiliön tilavuus, litraa	0,9	0,9	0,9
Öljysäiliön tilavuus, litraa	0,55	0,5	0,55
Moottoriöljy ⁴²	SAE 10W-30	SAE 10W-30	SAE 10W-30
Paino			
Säiliöt tyhjinä, kg	30,5	33	32,5
Melupäästöt ⁴³			
Äänen tehotaso, mitattu dB(A)	90	91	90
Äänen tehotaso, taattu L _{WA} dB(A)	91	94	91
Äänitasot ⁴⁴			
Äänenpainetaso käyttäjän korvan tasalla, dB(A)	77	78	78
Tärinätasot, a_{hv, eq} ⁴⁵			
Kahva, m/s ²	4,5	5,3	4,8
Terälaite			
Leikkukorkeus, mm	30–60	30–60	30–60

⁴¹ Moottorin ilmoitettu nimellisteho on moottorimallia edustavan tyypillisen tuotantomoottorin keskimääräinen nettoteho (rpm) mitattuna SAE-standardin J1349/ISO1585 mukaisesti. Massatuotantomoottorit voivat poiketa tästä arvosta. Laitteeseen asennetun moottorin todellinen lähtöteho riippuu käytönopeudesta, ympäristön olosuhteista ja muista arvoista.

⁴² Käytä vähintään laatuluokituksen SG–SH moottoriöljyä. Tarkista viskositeetti moottorin valmistajan käyttöoppaassa olevasta viskositeettikaaviosta ja valitse sopiva viskositeetti ulkolämpötilan perusteella.

⁴³ Melupäästö ympäristöön äänentehona (L_{WA}) EY-direktiivin 2000/14/EY mukaisesti mitattuna.

⁴⁴ Äänenpainetaso standardin ISO 5395 mukaan. Äänenpainetasoista ilmoitettujen tietojen tyypillinen tilastollinen hajonta (keskihajonta) on 1,2 dB(A).

⁴⁵ Tärinätasot standardin ISO 5395 mukaan. Tärinätasolle ilmoitetuissa tiedoissa tyypillinen tilastollinen hajonta (vakiopoikkeama) on 0,2 m/s².

	KLIPPO LB 448S	KLIPPO LB 453S	KLIPPO LB 548S e
Leikkuuleveys, mm	480	530	480
Terä	Silppuri – 48 cm 5028813-10	Silppuri – 53 cm 5028814-10	Silppuri – 48 cm 5028813-10
Veto			
Nopeus, km/h	4,5	4,5	4,5

EY-vaatimustenmukaisuusvakuutus

Husqvarna AB, SE-561 82 Huskvarna, Ruotsi, puh.:
+46-36-146500, vakuuttaa, että **ruohonleikkurit
Husqvarna ja KLIPPO LB 448S, KLIPPO LB 453S,
KLIPPO LB 548S** e alkaen sarjanumerosta 2020xxxxxxx
ovat seuraavien NEUVOSTON DIREKTIIVIEN mukaisia:

- 17. toukokuuta 2006 annettu konedirektiivi
2006/42/EY
- 26. helmikuuta 2014 annettu direktiivi **2014/30/EU**
sähkömagneettisesta yhteensopivuudesta
- 8. toukokuuta 2000 annettu laitemeludirektiivi
2000/14/EY.
- 8. kesäkuuta 2011 annettu direktiivi tiettyjen
vaarallisten aineiden käytön rajoittamisesta sähkö- ja
elektroniikkalaitteissa, **2011/65/EU**

Melupäästöjä koskevat tiedot löytyvät luvusta Tekniset
tiedot.

Seuraavia standardeja on sovellettu:

**EN ISO 5395-1, EN ISO 5395-2, EN ISO 5395-2 Amd1,
EN ISO 5395-2 Amd 2, EN 55012, EN 50581:2012**

Yllä luetellut standardit ovat standardien uusimmat
julkaistut versiot, mikäli muuta ei ole ilmoitettu.

Ilmoitettu tarkastuslaitos: **0404, RISE SMP Svensk
Maskinprovning AB, Box 7035, SE-750 07 Uppsala** on
julkaissut raporteja vaatimustenmukaisuuden
arvioinnista 8. toukokuuta 2000 ulkona käytettävien
laitteiden melupäästöistä ympäristöön annetun
neuvoston direktiivin 2000/14/EY liitteen VI mukaisesti.

Huskvarna, 2020-09-16



Claes Losdal, kehityspäällikkö/puutarhatuotteet
(Husqvarna AB:n valtuutettu ja teknisestä
dokumentaatiosta vastaava edustaja)

Sommaire

Introduction.....	119	Entretien.....	125
Sécurité.....	120	Transport, entreposage et mise au rebut.....	128
Montage.....	123	Caractéristiques techniques.....	129
Utilisation.....	124	Déclaration de conformité CE.....	131

Introduction

Description du produit

Le produit est une tondeuse rotative à pousser qui utilise BioClip® pour transformer l'herbe en engrais.

Aperçu du produit

(Fig. 1)

1. Poignée/Guidon
2. Poignée de frein moteur
3. Levier d'entraînement
4. Poignée du câble du démarreur
5. Bouchon d'huile
6. Protection de courroie
7. Silencieux
8. Bougie
9. Protection de courroie
10. Réservoir de carburant
11. Levier de réglage de l'angle de la poignée
12. Système anti-vibrations
13. Réglage du câble d'embrayage
14. Poignée inférieure
15. Levier de hauteur de coupe
16. Robinet de carburant
17. Filtre à air
18. Capot de coupe
19. Rondelle élastique
20. Boulon de lames
21. Lame
22. Support de lame
23. Obturateur du broyeur (KLIPPO LB 448S, KLIPPO LB 548S e)
24. Manuel de l'opérateur

Symboles concernant le produit

(Fig. 2) **AVERTISSEMENT** : une utilisation erronée ou négligente peut occasionner des blessures graves, voire mortelles, pour l'opérateur ou d'autres personnes.

(Fig. 3) Veuillez lire attentivement le manuel d'utilisation et assurez-vous de bien comprendre les instructions avant utilisation.

Utilisation prévue

Utilisez le produit pour couper l'herbe. N'utilisez pas ce produit pour d'autres travaux.

(Fig. 4) Attention : projections et ricochets.

(Fig. 5) Maintenez les personnes et les animaux à une distance suffisante de la zone de travail.

(Fig. 6) Coupez le moteur et retirez le câble d'allumage avant toute réparation ou opération d'entretien.

(Fig. 7) Avertissement : Maintenez les pieds et les mains à distance des pièces en mouvement.

(Fig. 8) Avertissement : Maintenez les mains et les pieds à distance de la lame en rotation.

(Fig. 9) Ce produit est conforme aux directives CE en vigueur.

(Fig. 10) Émissions sonores dans l'environnement selon la directive européenne 2000/14/CE et la législation de la Nouvelle-Galles du Sud « Protection of the Environment Operations (Noise Control) Regulation 2017 ». L'étiquette de la machine et le chapitre Caractéristiques techniques contiennent des données sur les émissions sonores.

(Fig. 11) Code optiquement lisible.

Remarque: Les autres symboles/autocollants présents sur le produit concernent des exigences de certification spécifiques à certaines zones commerciales.

Autocollant sur le produit, pour l'Australie et Nouvelle-Zélande uniquement

(Fig. 12)

Maintenez les mains et les pieds à distance de la lame en rotation.

Émissions Euro V



AVERTISSEMENT: toute altération du moteur a pour effet d'annuler l'homologation de type UE de ce produit.

Responsabilité

Conformément à la loi sur la responsabilité du fait des produits, nous déclinons toute responsabilité pour tout dommage causé par notre produit si :

- le produit n'est pas correctement réparé ;
- le produit est réparé avec des pièces qui ne proviennent pas du fabricant ou qui ne sont pas homologuées par le fabricant ;
- le produit est équipé d'un accessoire qui ne provient pas du fabricant ou qui n'est pas homologué par le fabricant ;
- le produit n'est pas réparé par un centre d'entretien agréé ou par une autorité homologuée.

Sécurité

Définitions de sécurité

Des avertissements, des recommandations et des remarques sont utilisés pour souligner des parties spécialement importantes du manuel.



AVERTISSEMENT: Symbole utilisé en cas de risque de blessures ou de mort pour l'opérateur ou les personnes à proximité si les instructions du manuel ne sont pas respectées.



REMARQUE: Symbole utilisé en cas de risque de dommages pour le produit, d'autres matériaux ou les environs si les instructions du manuel ne sont pas respectées.

Remarque: Symbole utilisé pour donner des informations supplémentaires pour une situation donnée.

Instructions générales de sécurité



AVERTISSEMENT: Lisez les instructions qui suivent avant d'utiliser le produit.

- Ce produit est dangereux s'il est utilisé de manière incorrecte ou imprudente. Des blessures graves ou mortelles peuvent se produire si vous ne respectez pas les instructions de sécurité.
- Ce produit génère un champ électromagnétique durant son fonctionnement. Ce champ peut dans certaines circonstances perturber le fonctionnement d'implants médicaux actifs ou passifs. Pour réduire le risque de blessures graves ou mortelles, les personnes portant des implants médicaux doivent consulter leur médecin et le fabricant de leur implant avant d'utiliser ce produit.

- Soyez toujours prudent et utilisez votre bon sens. Si vous ne savez pas comment faire fonctionner le produit dans une situation particulière, ne l'utilisez pas et contactez votre Husqvarna revendeur avant de poursuivre.
- N'oubliez pas que l'opérateur sera tenu responsable des accidents occasionnés à des tiers et à leurs biens.
- Maintenez le produit propre. Assurez-vous que vous pouvez lire clairement les avertissements et les autocollants.
- Ne laissez personne utiliser le produit avant d'avoir lu et compris le contenu du manuel de l'opérateur.
- Ne laissez pas un enfant utiliser le produit.
- Maintenez les enfants éloignés de la zone de travail. Un adulte responsable doit être présent à tout moment.
- Ne laissez pas une personne utiliser le produit si elle ne connaît pas les instructions.
- Surveillez constamment les personnes aux capacités physiques ou mentales réduites qui utilisent ce produit. Un adulte responsable doit être présent à tout moment.
- N'utilisez jamais l'appareil si vous êtes fatigué ou malade, ou si vous êtes sous l'emprise d'alcool, de drogues ou de médicaments. Cela a un effet négatif sur votre vision, votre vigilance, votre coordination et votre jugement.
- N'utilisez pas le produit si celui-ci est défectueux.
- Ne modifiez jamais le produit et ne l'utilisez jamais s'il est susceptible d'avoir été modifié par un tiers.
- Ne modifiez pas le réglage de régulation du régime moteur.

Sécurité dans l'espace de travail



AVERTISSEMENT: Lisez les instructions qui suivent avant d'utiliser le produit.

- Retirez les objets tels que les branches, les brindilles et les pierres de la zone de travail avant d'utiliser le produit.
- Les objets heurtant l'équipement de coupe peuvent être éjectés et causer des blessures ou des dégâts matériels. Maintenez les personnes aux alentours et les animaux à une distance suffisante du produit.
- N'utilisez jamais le produit par mauvais temps, par exemple en cas de brouillard, de pluie, de vent violent, de froid intense et de risque d'éclair. Utiliser le produit par mauvais temps ou dans des environnements humides est fatigant. Le mauvais temps peut rendre les conditions de travail dangereuses : des surfaces peuvent par exemple devenir glissantes.
- Identifiez les éventuels personnes, objets et situations susceptibles de nuire à la sécurité du fonctionnement du produit.
- Soyez attentif aux obstacles tels que les racines, les pierres, les brindilles, les fosses et les fossés. L'herbe haute peut cacher des obstacles.
- Il peut être dangereux de couper l'herbe sur des terrains en pente. N'utilisez pas le produit sur un sol dont la pente est supérieure à 15°.
- Faites fonctionner le produit en travers de la courbe de la pente, jamais de haut en bas.
- Soyez prudent lorsque vous vous approchez de coins cachés et d'objets qui empêchent d'avoir une vue dégagée.
- Arrêtez immédiatement le produit s'il vibre ou bute sur un objet. Débranchez le câble d'allumage de la bougie. Vérifiez que le produit n'est pas endommagé. Réparez les éventuels dommages ou demandez à un atelier spécialisé agréé procéder aux réparations.
- N'attachez jamais la poignée de frein moteur en permanence à la poignée de commande quand le moteur est mis en marche.
- Placez le produit sur une surface stable et plane, puis lancez-le. Vérifiez que la lame ne touche pas le sol ou tout autre objet.
- Restez toujours derrière le produit lorsque vous l'utilisez.
- Faites reposer toutes les roues sur le sol et conservez vos deux mains sur la poignée lorsque vous faites fonctionner le produit. Maintenez les mains et les pieds à distance des lames en rotation.
- N'inclinez pas le produit quand le moteur est mis en marche.
- Soyez prudent lorsque vous tirez le produit vers l'avant.
- Ne soulevez jamais le produit quand le moteur est mis en marche. Si vous devez soulever le produit, coupez d'abord le moteur et débranchez le câble d'allumage de la bougie.
- Ne marchez pas vers l'arrière lorsque vous utilisez le produit.
- Arrêtez le moteur lorsque vous vous déplacez à travers des zones exemptes d'herbe, par exemple des chemins de gravier, de pierre ou d'asphalte.
- Ne courez pas lorsque vous utilisez le produit et que le moteur est mis en marche. Vous devez toujours marcher lorsque vous utilisez le produit.
- Arrêtez le moteur avant de modifier la hauteur de coupe. N'effectuez jamais de réglages pendant que le moteur tourne.
- Ne quittez jamais le produit des yeux pendant que le moteur tourne. Arrêtez le moteur et assurez-vous que l'équipement de coupe ne tourne pas.

Sécurité du travail



AVERTISSEMENT: Lisez les instructions qui suivent avant d'utiliser le produit.

- Utilisez le produit uniquement pour couper les pelouses. Il est interdit d'utiliser le produit pour d'autres travaux.
- Utilisez un équipement de protection personnelle. Reportez-vous à la section *Équipement de protection individuelle à la page 121*.
- Assurez-vous que vous savez arrêter le moteur rapidement en cas d'urgence.
- Ne démarrez jamais le moteur dans un espace clos ou à proximité de matériaux inflammables. Les gaz d'échappement du moteur sont très chauds et peuvent contenir des étincelles pouvant provoquer un incendie.
- Faites fonctionner le produit uniquement si la lame et tous les couvercles sont fixés correctement. Une lame fixée de manière inadéquate risque de se détacher et de causer des blessures personnelles.
- Assurez-vous que la lame ne touche pas des objets tels que des pierres et des racines. Cela peut ne pas endommager la lame et tordre l'arbre du moteur. Un arbre tordu génère de fortes vibrations, il y a alors un risque important que la lame se détache.

Consignes de sécurité pour le fonctionnement

Équipement de protection individuelle



AVERTISSEMENT: Lisez les instructions qui suivent avant d'utiliser le produit.

- L'équipement de protection individuel ne protège pas complètement des blessures, mais il diminue la gravité des blessures en cas d'accident. Faites appel à votre revendeur pour vous aider à sélectionner l'équipement adéquat.
- Utilisez des protège-oreilles si le niveau sonore est supérieur à 85 dB.
- Portez des bottes ou chaussures antidérapantes à usage intensif. Ne portez pas de chaussures

ouvertes et ne soyez pas pieds nus lorsque vous utilisez le produit.

- Utilisez des pantalons longs et épais.
- Portez des gants de protection en cas de besoin, par exemple lorsque vous fixez, examinez ou nettoyez l'équipement de coupe.

Dispositifs de sécurité sur le produit



AVERTISSEMENT: Lisez les instructions qui suivent avant d'utiliser le produit.

- N'utilisez pas un produit avec des dispositifs de sécurité défectueux.
- Contrôlez les dispositifs de sécurité régulièrement. Si les dispositifs de sécurité sont défectueux, parlez-en à votre agent d'entretien Husqvarna.

Pour contrôler le capot de coupe

Le capot de coupe réduit les vibrations dans le produit et réduit le risque de blessures provoquées par la lame.

- Examinez le capot de coupe pour vous assurer qu'il ne présente pas de dommages tels que des fissures.

Pour contrôler le carter de la courroie

Le carter de la courroie réduit le risque de blessures et s'assure qu'une courroie d'entraînement cassée ne s'éjecte pas.

- Assurez-vous que le carter de la courroie n'est pas endommagé et qu'il est correctement fixé. (Fig. 13)

Pour contrôler le carter de la courroie

Le carter de la courroie réduit le risque de blessures et s'assure qu'une courroie d'entraînement cassée ne s'éjecte pas.

- Assurez-vous que le carter de la courroie n'est pas endommagé et qu'il est correctement fixé. (Fig. 14)

Poignée de frein moteur

La poignée de freinage du moteur arrête le moteur. Lorsque la poignée de frein moteur est relâchée, le moteur s'arrête.

Pour inspecter le frein du moteur, démarrez le moteur, puis relâchez la poignée de freinage du moteur. Si le moteur ne s'arrête pas au bout de 3 secondes, demandez à un Husqvarna atelier spécialisé agréé de régler le frein moteur.

(Fig. 15)

Pour contrôler le système anti-vibrations



AVERTISSEMENT: Une exposition excessive aux vibrations peut entraîner des troubles circulatoires ou nerveux chez les

personnes sujettes à des troubles cardiovasculaires. Consultez un médecin en cas de symptômes liés à une exposition excessive aux vibrations. Ces symptômes peuvent être les suivants : insensibilisation ou irritation locale, douleur, chatouillements, faiblesse musculaire, décoloration ou modification cutanée. Ces symptômes affectent généralement les doigts, les mains ou les poignets.

Le système anti-vibrations réduit les vibrations dans la poignée pendant l'utilisation.

Le tube en acier dans le guidon et le capot de coupe réduisent les vibrations. Le KLIPPO LB 548S en possède également 4 dispositifs anti-vibrations fixés au guidon.

- Examinez le guidon et les dispositifs anti-vibrations pour vous assurer qu'ils ne sont pas endommagés. (Fig. 16)

Support de lame

Le support de lame diminue le risque que l'arbre moteur se torde. Si la lame heurte un objet, elle se déplace contre le support de lame. Le mouvement provoque l'usure de la surface du support de lame. L'usure indique que la protection de l'arbre moteur fonctionne correctement.

Silencieux

Le silencieux est conçu pour réduire au maximum le niveau sonore et rejeter les gaz d'échappement loin de l'utilisateur.

N'utilisez pas la machine si le silencieux est manquant ou défectueux. Un silencieux en mauvais état augmente le niveau sonore et le risque d'incendie.



AVERTISSEMENT: Le silencieux devient très chaud pendant et après utilisation et lorsque le moteur fonctionne au régime de ralenti. Soyez vigilant à proximité des matériaux inflammables et/ou des fumées pour prévenir tout risque d'incendie.

Pour contrôler le silencieux

- Examinez le silencieux régulièrement pour s'assurer qu'il est correctement fixé et qu'il n'est pas endommagé.

Sécurité carburant



AVERTISSEMENT: Lisez les instructions qui suivent avant d'utiliser le produit.

- Ne démarrez pas le produit si du carburant ou de l'huile moteur a été renversé(e) sur le produit.

Essayez le carburant/l'huile et attendez que le produit sèche.

- Si vous avez renversé du carburant sur vos vêtements, changez de vêtements immédiatement.
- Évitez tout contact de la peau avec le carburant. Le carburant peut causer des blessures. Si votre peau entre en contact avec le carburant, lavez les parties qui ont été en contact avec de l'eau et du savon.
- Ne démarrez pas le produit s'il y a une fuite de moteur. Vérifiez régulièrement s'il y a des fuites de moteur.
- Faites attention avec le carburant. Le carburant est inflammable et ses vapeurs sont explosives. Il peut causer des blessures graves, voire mortelles.
- Ne respirez pas les vapeurs de carburant, elles peuvent causer des blessures. Assurez-vous que la ventilation est suffisante.
- Ne fumez pas à proximité du carburant ou du moteur.
- Ne mettez pas d'objets chauds à proximité du carburant ou du moteur.
- N'ajoutez pas de carburant lorsque le moteur est allumé.
- Assurez-vous que le moteur est froid avant de faire le plein de carburant.
- Avant de faire le plein, ouvrez le bouchon du réservoir de carburant lentement et relâchez la pression avec précaution.
- N'ajoutez pas de carburant au moteur dans un espace intérieur. Un débit d'air insuffisant peut causer des blessures graves, voire mortelles dues à une asphyxie ou au monoxyde de carbone.
- Serrez complètement le bouchon du réservoir de carburant. Si le bouchon du réservoir de carburant n'est pas serré, il y a un risque d'incendie.
- Déplacez le produit à un minimum de 3 m/10 ft de l'endroit où a été fait le plein de carburant avant de démarrer le produit.
- Ne remplissez pas entièrement le réservoir de carburant. La chaleur entraîne la dilatation du

carburant. Laissez un espace en haut du réservoir de carburant.

Consignes de sécurité pour l'entretien



AVERTISSEMENT: Lisez les instructions qui suivent avant d'utiliser le produit.

- Les gaz d'échappement du moteur contiennent du monoxyde de carbone, un gaz inodore, toxique et très dangereux. Ne démarrez pas le moteur en intérieur ou dans des espaces fermés.
- Avant de procéder à l'entretien du produit, arrêtez le moteur et débranchez le câble d'allumage de la bougie.
- Utilisez des gants de protection lorsque vous procédez à l'entretien de l'équipement de coupe. La lame est très tranchante et des coupures peuvent survenir facilement.
- Les accessoires et les modifications apportées au produit qui ne sont pas approuvés par le fabricant peuvent causer des blessures très graves, voire mortelles. Ne modifiez pas le produit. Utilisez toujours des accessoires qui sont approuvés par le fabricant.
- Si l'entretien n'est pas effectué correctement et régulièrement, le risque de blessures et d'endommagement du produit augmente.
- Effectuez uniquement les tâches d'entretien décrites dans le présent manuel d'utilisation. Toutes les autres tâches d'entretien doivent être effectuées par un Husqvarna atelier spécialisé agréé.
- Demandez à un Husqvarna atelier spécialisé d'effectuer régulièrement l'entretien du produit.
- Remplacez les pièces endommagées, usées ou cassées.

Montage

Introduction



AVERTISSEMENT: Avant de monter le produit, vous devez lire et comprendre le chapitre sur la sécurité.



AVERTISSEMENT: Débranchez le câble d'allumage de la bougie avant de monter le produit.

Pour monter et régler la poignée

1. Retirez l'écrou de poignée et la rondelle de la plaque sur la poignée supérieure.

2. Placez la poignée supérieure en position sur le dessus de la poignée inférieure.



REMARQUE: Assurez-vous que les fils ne sont pas coincés ou endommagés.

3. Fixez la rondelle et l'écrou de la poignée. (Fig. 17)
4. Tournez la poignée sur le côté pour une bonne position de fonctionnement lorsque vous utilisez le produit près d'un mur. (Fig. 18)
5. Tournez les roulettes de réglage sur le châssis pour régler la poignée verticalement. (Fig. 19)

Pour assembler l'obturateur du broyeur KLIPPO LB 448S, KLIPPO LB 548S e

1. Inclinez le produit vers l'arrière avec la bougie vers le haut.

2. Placez les goupilles de l'obturateur de broyeur dans les trous du côté intérieur du capot de coupe. (Fig. 20)
3. Fixez les vis de l'obturateur de broyeur par l'extérieur du capot de coupe. (Fig. 21)

Utilisation

Introduction



AVERTISSEMENT: Avant d'utiliser le produit, vous devez lire et comprendre le chapitre sur la sécurité.

Husqvarna Connect

Husqvarna Connect est une application gratuite pour votre appareil mobile. L'application Husqvarna Connect offre des fonctions étendues à votre produit Husqvarna :

- Informations produit détaillées.
- Informations et aide sur les pièces et l'entretien du produit.

Pour commencer à utiliser Husqvarna Connect

1. Téléchargez l'application Husqvarna Connect sur votre appareil mobile.
2. Enregistrez-vous sur l'application Husqvarna Connect.
3. Suivez les instructions de l'application Husqvarna Connect pour vous connecter et enregistrer le produit.

Avant d'utiliser le produit

1. Lisez attentivement le manuel d'utilisation et assurez-vous de bien comprendre les instructions.
2. Examinez l'équipement de coupe pour vous assurer qu'il est bien fixé et réglé. Consultez la section *Pour inspecter l'équipement de coupe à la page 127*.
3. Remplissez le réservoir de carburant. Consultez la section *Pour remplir le réservoir de carburant à la page 124*.
4. Remplissez le réservoir d'huile et contrôlez le niveau d'huile. Consultez la section *Pour contrôler le niveau d'huile à la page 127*.

Pour remplir le réservoir de carburant

Si cela est possible, utilisez de l'essence d'alkylate/écologique. Si vous ne pouvez pas vous procurer de l'essence d'alkylate/écologique, utilisez l'essence sans plomb de bonne qualité ou d'essence dont le taux d'octane n'est pas inférieure à 90.



REMARQUE: N'utilisez pas d'essence avec un indice d'octane inférieur à 90 RON (87 AKI). Cela peut endommager le produit.

1. Ouvrez lentement le couvercle du réservoir de carburant pour relâcher la pression.
2. Remplissez lentement le réservoir à l'aide d'un bidon de carburant. Si vous renversez du carburant, essuyez-le à l'aide d'un chiffon et laissez le carburant restant sécher.
3. Essuyez le pourtour du bouchon du réservoir de carburant.
4. Serrez complètement le bouchon du réservoir de carburant. Si le bouchon du réservoir de carburant n'est pas serré, il y a un risque d'incendie.
5. Déplacez le produit à un minimum de 3 m (10 ft) de l'endroit où a été fait le plein de carburant avant de démarrer le produit.

Pour régler la hauteur de coupe

La hauteur de coupe peut être réglée sur 6 niveaux.

1. Déplacez le levier de hauteur de coupe vers l'avant pour augmenter la hauteur de coupe.
2. Déplacez le levier de hauteur de coupe vers l'arrière pour diminuer la hauteur de coupe.



REMARQUE: La hauteur de coupe ne doit pas être réglée trop bas. Les lames peuvent toucher le sol si la surface de la pelouse n'est pas plane.

Pour démarrer le produit

1. Assurez-vous que le câble d'allumage est branché sur la bougie.
2. Ouvrir le robinet à carburant. (Fig. 22)
3. Restez derrière le produit.
4. Tenez la poignée de freinage du moteur contre le guidon. (Fig. 23)
5. Tenez la poignée du câble du démarreur de votre main droite.
6. Tirez lentement sur le câble du démarreur jusqu'à ce que vous sentiez une certaine résistance.
7. Tirez avec force pour démarrer le moteur.



AVERTISSEMENT: N'enroulez pas le câble du démarreur autour de votre main.



REMARQUE: Ne tendez pas complètement le câble du démarreur. Ne relâchez pas la poignée du câble du démarreur lorsqu'elle est tendue.

Pour appliquer l'entraînement aux roues

- Poussez le levier d'entraînement vers le bas. (Fig. 24)
- Avant de tirer le produit vers l'arrière, désengagez l'entraînement et poussez le produit d'environ 10 cm vers l'avant.
- Desserrez la poignée du frein moteur sur une petite distance pour désengager l'entraînement, lorsque vous approchez d'un obstacle par exemple.

Pour arrêter le produit

- Pour arrêter l'entraînement uniquement, desserrez la poignée du frein moteur sur une petite distance.
- Pour arrêter le moteur, relâchez complètement la poignée du frein moteur.
- Fermez le robinet de carburant. (Fig. 25)

Obtenir de bons résultats

- Utilisez toujours une lame correctement affûtée. Une lame émoussée produit un résultat irrégulier et l'herbe jaunira à la surface de la coupe. De plus, une lame affûtée consomme moins d'énergie qu'une lame émoussée.
- Ne coupez pas plus d'un tiers de la longueur de l'herbe. Coupez d'abord avec une hauteur de coupe élevée. Examinez le résultat et abaissez la hauteur de coupe à un niveau convenable. Si l'herbe est très longue, tondez lentement, et deux fois si nécessaire.
- Tondez toujours dans différentes directions afin d'éviter de faire des lignes dans la pelouse.

Entretien

Introduction



AVERTISSEMENT: Avant d'effectuer des travaux d'entretien, vous devez lire et comprendre le chapitre sur la sécurité.

Une formation spécifique est nécessaire pour effectuer tous les travaux d'entretien et de réparation du produit. Nous garantissons qu'il vous est possible d'obtenir des services de réparation et d'entretien effectués par des

professionnels. Si votre concessionnaire n'est pas un atelier spécialisé, demandez-lui des informations à propos de l'atelier spécialisé le plus proche.

Calendrier de maintenance

Les intervalles d'entretien sont calculés selon une utilisation quotidienne du produit. Les intervalles sont différents si le produit n'est pas utilisé tous les jours.

Pour les travaux d'entretien suivis d'un astérisque (*), consultez les instructions dans la section *Dispositifs de sécurité sur le produit à la page 122*.

Entretien	Au quotidien	Toutes les semaines	Une fois par mois
Faites une inspection générale	X		
Inspectez le niveau d'huile	X		
Nettoyez le produit	X		
Nettoyez le filtre à air	X		
Inspectez l'équipement de coupe	X		
Inspectez le capot de coupe*	X		
Inspectez la poignée de freinage du moteur*	X		
Inspectez le silencieux*		X	
Inspectez la bougie		X	
Vérifiez que la courroie d'entraînement n'est pas endommagée			X
Nettoyez le carter d'engrenage			X

Entretien	Au quotidien	Toutes les semaines	Une fois par mois
Changez l'huile (la première fois après 5 h d'utilisation, puis toutes les 25 h d'utilisation chaque année)			X
Remplacez le filtre à air			X
Inspectez le système de carburant			X
Inspectez et réglez l'entraînement (câble d'embrayage)			X

Pour faire une inspection générale

- Assurez-vous que l'ensemble des vis et des écrous du produit sont correctement serrés.

Pour nettoyer la partie extérieure du produit

- Utilisez une brosse pour enlever les feuilles, l'herbe et la saleté.
- Assurez-vous que la prise d'air sur le dessus du moteur n'est pas obstruée.
- N'utilisez pas de nettoyeur haute pression pour le nettoyage du produit.
- Si vous utilisez de l'eau pour nettoyer le produit, ne projetez jamais d'eau directement sur le moteur.

Pour nettoyer la surface interne du capot de coupe

- Placez le produit sur le côté, silencieux vers le bas.



REMARQUE: Si le produit est posé avec le filtre à air vers le bas, le moteur peut être endommagé.

- Lavez au jet la surface intérieure du capot de coupe.

Pour examiner la courroie d'entraînement et nettoyer le carter

- Retirez les 4 vis du carter de la courroie et enlevez le carter de la courroie. (Fig. 26)
- Examinez la courroie d'entraînement et la poulie de courroie pour vérifier qu'elles ne sont pas endommagées.
- Utilisez une brosse pour enlever les feuilles, l'herbe et les saletés du carter d'engrenage. (Fig. 27)

Pour remplacer et régler la courroie d'entraînement

- Retirez les 4 vis du carter de la courroie et enlevez le carter de la courroie. (Fig. 26)
- Placez un tournevis plat entre le chapeau de moyeu et la roue sur la roue avant droite du produit.
- Tournez le tournevis avec précaution pour retirer le chapeau de moyeu.

- Retirez le boulon de roue et la roue. (Fig. 28)
- Retirez la courroie d'entraînement des poulies de courroie.
- Assurez-vous que les poulies de courroie se déplacent facilement sur l'essieu.
- Si nécessaire, appliquez de l'huile pénétrante entre et derrière les poulies de courroie et lubrifiez l'axe.
- Installez une nouvelle courroie d'entraînement et fixez-la correctement au roulement à billes avant de régler la courroie d'entraînement. (Fig. 29)
- Déplacez le roulement à billes vers le haut ou vers le bas pour régler la courroie d'entraînement. (Fig. 30)

Remarque: Une courroie d'entraînement neuve s'allonge au fur et à mesure de l'utilisation. Réglez à nouveau la courroie d'entraînement après quelques heures de fonctionnement.

- Fixez le carter de la courroie.
- Utilisez le produit afin de vous assurer que la courroie d'entraînement est correctement installée et réglée.

Pour remplacer et régler la courroie centrale

- Retirez la lame.

Remarque: Cette étape n'est pas nécessaire lorsque vous réglez uniquement la courroie centrale.

- Desserrez les vis de réglage de quelques tours, mais ne les retirez pas. (Fig. 31)
- Replacez la courroie centrale et serrez modérément les vis de réglage.

Remarque: Cette étape n'est pas nécessaire lorsque vous réglez uniquement la courroie centrale.

- Avancez ou reculez l'engrenage pour régler la courroie centrale. (Fig. 32)
- Utilisez une balance suspendue pour vérifier la tension de la courroie centrale. La tension de la courroie est correcte lorsqu'elle peut se déplacer de 6 à 10 mm au centre. Cela équivaut à une traction de 3 kg. (Fig. 33)

6. Serrez les vis de réglage à fond à un couple de 3 Nm.
7. Utilisez le produit afin de vous assurer que la courroie d'entraînement est correctement installée et réglée.

Pour inspecter l'équipement de coupe



AVERTISSEMENT: Afin d'éviter tout démarrage accidentel, débranchez le câble d'allumage de la bougie.



AVERTISSEMENT: Utilisez des gants de protection lorsque vous procédez à l'entretien de l'équipement de coupe. La lame est très tranchante et des coupures peuvent survenir facilement.

1. Inspectez l'équipement de coupe afin de détecter d'éventuels dommages ou fissures. Remplacez toujours un équipement de coupe endommagé.
2. Inspectez la lame pour voir si elle est endommagée ou émoussée.

Remarque: Il est nécessaire d'équilibrer la lame après l'avoir affûtée. Demandez à un centre d'entretien d'affûter, de remplacer et d'équilibrer la lame. Si vous heurtez un obstacle qui entraîne l'arrêt du produit, remplacez la lame endommagée. Demandez au centre d'entretien d'évaluer si la lame peut être affûtée ou si elle doit être remplacée.

Pour remplacer la lame

1. Bloquez la lame avec un bloc en bois. (Fig. 34)
2. Déposez le boulon de lame, la rondelle ressort et la lame. (Fig. 35)
3. Examinez le support de lame et le boulon de lame pour voir s'ils sont endommagés.
 - a) Si vous remplacez la lame ou le support de lame, remplacez également le boulon de lame, la rondelle ressort et la rondelle de friction.
4. Examinez l'arbre du moteur pour vous assurer qu'il n'est pas tordu.
5. Lorsque vous fixez la nouvelle lame, assurez-vous que son tranchant est orienté en direction du capot de coupe. (Fig. 36)
6. Placez la rondelle de friction et la lame contre le support de lame. (Fig. 37)
7. Assurez-vous que la lame est alignée sur le centre de l'arbre moteur. (Fig. 38)
8. Bloquez la lame avec un bloc en bois. (Fig. 39)
9. Fixez la rondelle ressort, puis serrez le boulon à un couple de 80 Nm. (Fig. 40)
10. Déplacez la lame à la main et vérifiez qu'elle tourne librement.



AVERTISSEMENT: Utilisez des gants de protection. La lame est très tranchante et des coupures peuvent survenir facilement.

11. Démarrez le produit pour tester la lame. Si la lame n'est pas correctement fixée, le produit vibre ou le résultat de coupe n'est pas satisfaisant.

Pour contrôler le niveau d'huile



REMARQUE: Un niveau d'huile trop bas peut endommager le moteur. Contrôlez le niveau d'huile avant de démarrer le produit.

1. Placez le produit sur un sol plat.
2. Fermez le robinet de carburant.
3. Retirez le bouchon du réservoir d'huile et la jauge qui y est attachée.
4. Nettoyez l'huile sur la jauge.
5. Placez la jauge dans le réservoir d'huile mais ne serrez pas le bouchon du réservoir d'huile.
6. Enlevez la jauge.
7. Inspectez le niveau d'huile sur la jauge.
8. Si le niveau d'huile est bas, faites l'appoint d'huile moteur et contrôlez à nouveau le niveau d'huile. Le niveau d'huile est correct lorsqu'il atteint le repère supérieur de la jauge.

Pour remplacer l'huile moteur



AVERTISSEMENT: L'huile moteur est très chaude juste après l'arrêt du moteur. Laissez le moteur refroidir avant de vidanger l'huile moteur. Si vous renversez de l'huile moteur sur votre peau, nettoyez avec de l'eau et du savon.

1. Faites fonctionner le produit jusqu'à ce que le réservoir de carburant soit vide.
2. Débranchez le câble d'allumage de la bougie.
3. Retirez le bouchon du réservoir d'huile.
4. Placez un récipient sous le produit pour recueillir l'huile moteur.
5. Inclinez le produit pour vidanger l'huile moteur dans le réservoir d'huile.
6. Faites le plein avec de la nouvelle huile moteur du type recommandé dans *Caractéristiques techniques à la page 129*.
7. Contrôlez le niveau d'huile. Reportez-vous à la section *Pour contrôler le niveau d'huile à la page 127*.

Pour nettoyer le filtre à air



REMARQUE: Ne faites pas tourner le moteur sans filtre à air fixé ou si le filtre à air est sale.



REMARQUE: Remplacez le filtre à air s'il est impossible de le nettoyer correctement ou s'il est endommagé. Un filtre à air défectueux endommage le moteur.

1. Appuyez sur les languettes de verrouillage (A), déposez le couvercle du filtre à air (B) et déposez le filtre à air (C). (Fig. 41)
2. Cognez le filtre à air contre une surface dure ou soufflez de l'air comprimé à travers le filtre à air du côté propre du filtre à air.



REMARQUE: N'utilisez pas de brosse pour éliminer la saleté, car cela pousse la saleté dans le filtre à air.

3. Nettoyez le support du filtre à air (D) et le couvercle de filtre à air avec un chiffon humide.



REMARQUE: Assurez-vous qu'aucune saleté ne pénètre dans le conduit d'air (E).

4. Installez le filtre à air. Veillez à assurer une bonne étanchéité entre le filtre à air et le support du filtre.
5. Installez le couvercle du filtre à air avec les languettes inférieures en premier.

Pour vérifier la bougie



REMARQUE: Utilisez toujours le type de bougie recommandé. Un type de bougie inadéquat peut endommager le produit.

- Inspectez la bougie si le moteur manque de puissance, n'est pas facile à démarrer ou ne fonctionne pas correctement lorsqu'il tourne au régime de ralenti.
- Afin de réduire le risque de matériaux indésirables présents sur les électrodes de la bougie, procédez comme suit :
 - a) Assurez-vous que le régime de ralenti est correctement réglé.
 - b) Assurez-vous que le mélange de carburant est correct.
 - c) Assurez-vous que le filtre à air est propre.
- Si la bougie est encrassée, nettoyez-la et vérifiez que l'écartement des électrodes est correct ; reportez-vous à la section *Caractéristiques techniques à la page 129*. (Fig. 42)
- Remplacez la bougie si nécessaire.

Pour examiner le système de carburant

- Examinez le couvercle du réservoir de carburant et le joint du couvercle du réservoir de carburant pour vous assurer qu'ils ne sont pas endommagés.
- Examinez le tuyau à carburant pour vous assurer qu'il n'y a pas de fuite. Si le tuyau à carburant est endommagé, demandez à un atelier spécialisé de le remplacer.

Pour régler le câble d'embrayage

Lorsque l'entraînement ralentit, vous devez régler le câble d'embrayage.

- Tournez la vis de réglage. (Fig. 43)

Le câble d'embrayage est correctement réglé lorsque le support du câble d'embrayage est aligné sur l'écrou.

(Fig. 44)

Transport, entreposage et mise au rebut

Transport et stockage

- Pour le stocker et transporter le produit et le carburant, assurez-vous qu'il n'y a pas de fuite ou de vapeurs. Les étincelles ou les flammes nues produites par exemple par des appareils électriques ou chaudières peuvent provoquer un incendie.
- Utilisez uniquement des récipients homologués pour le transport et le stockage de carburant.
- Videz le réservoir de carburant avant de remettre le produit pendant une longue période. Mettez le carburant au rebut dans une déchetterie appropriée
- Sécurisez le produit lors de son transport pour éviter tout dommage ou accident.

- Conservez le produit dans un endroit verrouillé afin que des enfants ou personnes qui ne sont pas autorisées à l'utiliser ne puissent pas y avoir accès.
- Conservez le produit dans un endroit sec et à l'abri du gel.

Mise au rebut

- Respectez les consignes locales de recyclage et la réglementation en vigueur.
- Mettez au rebut tous les produits chimiques tels que l'huile moteur ou le carburant à un centre d'entretien ou à une déchetterie appropriée.

- Lorsque vous n'utilisez plus le produit, renvoyez-le à un Husqvarnaconcessionnaire ou mettez-le au rebut dans une déchetterie.

Caractéristiques techniques

Caractéristiques techniques

	KLIPPO LB 448S	KLIPPO LB 453S	KLIPPO LB 548S e
Moteur			
Marque	Honda	Honda	Honda
Cylindrée, cm ³	145	166	166
Vitesse, tr/min.	2 900	2 900	2 900
Puissance nominale du moteur, kW ⁴⁶	2,7	3,3	3,3
Système d'allumage			
Bougie	NGK BPR5ES	NGK BPR5ES	NGK BPR5ES
Écartement des électrodes, mm	0,7-0,8	0,7-0,8	0,7-0,8
Système de graissage/de carburant			
Capacité du réservoir de carburant, litres	0,9	0,9	0,9
Contenance du réservoir d'huile, litres	0,55	0,5	0,55
Huile moteur ⁴⁷	SAE 10W-30	SAE 10W-30	SAE 10W-30
Poids			
Réservoirs vides, en kg	30,5	33	32,5
Émissions sonores⁴⁸			
Niveau de puissance sonore mesuré dB(A)	90	91	90
Niveau de puissance acoustique, garanti L _{WA} dB(A)	91	94	91
Niveaux sonores⁴⁹			

⁴⁶ La puissance nominale du moteur indiquée est la puissance nette moyenne (à un régime en tr/min spécifié) d'un moteur de production typique pour le modèle de moteur mesurée selon la norme SAE J1349/ISO1585. Les moteurs de production de masse peuvent s'écarter de cette valeur. La puissance effective du moteur installé sur le produit fini dépend de la vitesse de fonctionnement, des conditions environnementales et d'autres valeurs.

⁴⁷ Utilisez de l'huile moteur de qualité SJ ou SH. Reportez-vous au tableau de viscosité du manuel du fabricant du moteur pour sélectionner la viscosité la mieux adaptée en fonction de la température extérieure anticipée.

⁴⁸ émissions sonores dans l'environnement mesurées comme puissance sonore (L_{WA}) selon la directive européenne CE 2000/14/CE.

⁴⁹ Niveau de pression sonore conformément à la norme ISO 5395. Les données reportées pour le niveau de pression sonore montrent une dispersion statistique typique (déviatoin standard) de 1,2 dB(A).

	KLIPPO LB 448S	KLIPPO LB 453S	KLIPPO LB 548S e
Niveau de pression sonore à l'oreille de l'utilisateur, dB (A)	77	78	78
Niveaux de vibration, a_{hveq}⁵⁰			
Poignée, m/s^2	4,5	5,3	4,8
Équipement de coupe			
Hauteur de coupe, en mm	30-60	30-60	30-60
Profondeur de coupe, en mm	480	530	480
Lame	Broyeur - 48 cm 5028813-10	Broyeur - 53 cm 5028814-10	Broyeur - 48 cm 5028813-10
Entraînement			
Vitesse, en km/h	4,5	4,5	4,5

⁵⁰ Niveau de vibrations conformément à la norme ISO 5395. Les données reportées pour le niveau de vibrations montrent une dispersion statistique typique (déviations standard) de 0,2 m/s^2 .

Déclaration de conformité CE

Déclaration de conformité CE

Nous, **Husqvarna AB**, SE-561 82 Huskvarna, Suède, tél. : +46-36-146500, déclarons que les **tondeuses Husqvarna KLIPPO LB 448S, KLIPPO LB 453S, KLIPPO LB 548S e** à partir du numéro de série 2020xxxxxxx et au-delà est conforme aux dispositions des DIRECTIVES DU CONSEIL :

- du 17 mai 2006 « relative aux machines » **2006/42/CE**
- du 26 février 2014 « relative à la compatibilité électromagnétique » **2014/30/UE**
- du 8 mai 2000 « relative aux émissions sonores dans l'environnement » **2000/14/CE**
- du 8 juin 2011 « relative à la limitation de l'utilisation de certaines substances dangereuses au sein d'équipements électriques et électroniques » **2011/65/UE**.

Pour toute information relative aux émissions sonores, veuillez consulter les caractéristiques techniques.

Les normes suivantes ont été appliquées :

EN ISO 5395-1, EN ISO 5395-2, EN ISO 5395-2 Amd1, EN ISO 5395-2 Amd 2, EN 55012, EN 50581:2012

Sauf mention contraire, les normes listées ci-dessus sont les dernières versions publiées.

L'organisme notifié : **0404, RISE SMP Svensk Maskinprovning AB, Box 7035, SE-750 07 Uppsala** a publié des rapports concernant l'évaluation de la conformité, selon l'annexe VI de la DIRECTIVE DU CONSEIL 2000/14/CE du 8 mai 2000 « relative aux émissions sonores dans le milieu environnant ».

Huskvarna, 2020-09-16



Claes Losdal, Directeur du développement/Articles de jardinage (Représentant autorisé d'Husqvarna AB et responsable de la documentation technique)

Sadržaj

Uvod.....	132	Održavanje.....	137
Sigurnost.....	133	Prijevoz, spremanje i zbrinjavanje.....	140
Sastavljanje.....	136	Tehnički podaci.....	141
Rad.....	136	Izjava o sukladnosti EC.....	143

Uvod

Opis proizvoda

Proizvod je ručna rotacijska kosilica za travu koja upotrebljava funkciju BioClip® za rezanje trave u gnojivo.

Pregled proizvoda

(Sl. 1)

1. Ručka/šipka
2. Kočna poluga motora
3. Poluga pogona
4. Ručica za paljenje
5. Čep za ulje
6. Štitnik remena
7. Prigušivač
8. Svječića
9. Štitnik remena
10. Spremnik za gorivo
11. Poluga za podešavanje kuta ručice
12. Sustav za smanjivanje vibracija
13. Podešavanje sajle spojke
14. Donja ručka
15. Poluga za visinu rezanja
16. Ventil goriva
17. Filtar zraka
18. Pokrov noža
19. Opružna brtva
20. Vijak noža
21. Nož
22. Nosač noža
23. Priključak za usitnjavanje (KLIPPO LB 448S, KLIPPO LB 548S e)
24. Korisnički priručnik

Simboli na proizvodu

- (Sl. 2) UPOZORENJE: Neoprezna ili nepravilna upotreba može uzrokovati ozljede ili smrt rukovatelja ili drugih osoba.
- (Sl. 3) Pažljivo pročitajte korisnički priručnik i prije korištenja dobro usvojite sadržaj.
- (Sl. 4) Pazite na izbačene predmete i odbijanja.

Namjena

Proizvod upotrebljavajte za rezanje trave. Proizvod nemojte upotrebljavati za druge zadatke.

- (Sl. 5) Osobe i životinje držite na sigurnoj udaljenosti od radnog područja.
- (Sl. 6) Prije popravaka ili održavanja zaustavite motor i uklonite kabel za paljenje.
- (Sl. 7) Upozorenje: Šake i stopala držite podalje od rotirajućih dijelova.
- (Sl. 8) Upozorenje: Ruke i stopala držite podalje od rotirajućeg noža.
- (Sl. 9) Ovaj proizvod u suglasnosti je s važećim direktivama EZ-a.
- (Sl. 10) Emisije buke u okoliš u skladu s europskom Direktivom 2000/14/EZ i propisom za zaštitu od radova u okolišu (kontrola buke) Novog Južnog Walesa iz 2017. Podaci o emisiji buke navedeni su na naljepnici stroja i u poglavlju Tehnički podaci.
- (Sl. 11) Kôd koji se može skenirati.

Napomena: Drugi simboli/naljepnice na proizvodu odnose se na zahtjeve za certifikaciju za neka tržišna područja.

Naljepnica na proizvodu, samo za Australiju i Novi Zeland

- (Sl. 12) Ruke i stopala držite podalje od rotirajućeg noža.

Standard za emisije Euro V.



UPOZORENJE: Petljanjem po motoru gubite pravo na odobrenje EU-a ovog proizvoda.

Pouzdanost proizvoda

Sukladno zakonima o pouzdanosti proizvoda nismo odgovorni za oštećenja uzrokovana našim proizvodima ako je:

- proizvod nepravilno popravljen
- proizvod popravljen dijelovima koje nije proizveo proizvođač ili nemaju odobrenje proizvođača
- proizvod ima dodatnu opremu koje nije proizveo proizvođač ili nemaju odobrenje proizvođača
- proizvod nije popravljen u odobrenom servisnom centru ili kod ovlaštene osobe.

Sigurnost

Sigurnosne definicije

Upozorenjima, oprezima i napomenama naglašavaju se posebno važni dijelovi priručnika.



UPOZORENJE: Koristi se kada nepoštivanje uputa iz priručnika može uzrokovati smrt ili ozljede rukovatelja ili promatrača.



OPREZ: Koristi se kada nepoštivanje uputa iz priručnika može uzrokovati oštećenje proizvoda ili drugih materijala u neposrednoj blizini.

Napomena: Koristi se prikaz neophodnih dodatnih informacija za zadanu situaciju.

Opće sigurnosne upute



UPOZORENJE: Prije korištenja proizvoda pročitajte upozoravajuće upute u nastavku.

- Proizvod je opasan ako ga koristite nepravilno ili ako niste oprezni. Nepoštivanje sigurnosnih uputa može uzrokovati ozljede ili smrt.
- Proizvod tijekom rada proizvodi elektromagnetsko polje. To polje u određenim okolnostima može ometati aktivne ili pasivne medicinske implantate. Za smanjenje opasnosti od smrtonosne ozljede osobama s medicinskim implantatima prije korištenja uređaja preporučujemo obraćanje liječniku i proizvođaču medicinskog implantata.
- Uvijek budite pažljivi i razumni. Ako u posebnim situacijama niste sigurni u način upotrebe stroja, prije nastavka stanite i obratite se svom distributeru tvrtke Husqvarna.
- Imajte na umu kako se rukovatelj smatra odgovornim za nezgode koje uključuju druge osobe ili njihovo vlasništvo.
- Proizvod održavajte čistim. Znakovi i naljepnice moraju biti jasno čitljivi.

- Osobama dopustite upotrebu proizvoda samo ako su pročitali i usvojili sadržaj uputa za rukovanje.
- Djeci nemojte dopustiti korištenje proizvoda.
- Djecu držite podalje od područja rada. Cijelo vrijeme mora biti prisutna odgovorna odrasla osoba.
- Osobama koje nisu upoznate s uputama nemojte dopustiti korištenje proizvoda.
- Osobu smanjenih fizičkih ili mentalnih sposobnosti obavezno nadzirite tijekom uporabe proizvoda. Cijelo vrijeme mora biti prisutna odgovorna odrasla osoba.
- Proizvod nemojte koristiti kada ste umorni, bolesni ili pod utjecajem alkohola, droge ili lijekova. To negativno utječe na vaš vid, pažnju, koordinaciju i prosudbu.
- Nemojte upotrebljavati neispravi proizvod.
- Nemojte izmjenjivati proizvod ili ga upotrebljavati ako postoji mogućnost da je izmijenjen.
- Nemojte mijenjati prilagodbe za kontrolu brzine motora.

Sigurnost na radnom mjestu



UPOZORENJE: Prije korištenja proizvoda pročitajte upozoravajuće upute u nastavku.

- Prije upotrebe proizvoda iz radnog područja uklonite sve predmete poput grana, prutova i kamenja.
- Objekti koji udare u reznu opremu mogu biti izbačeni te uzrokovati ozljede ili oštećenja. Promatrače i životinje držite na sigurnoj udaljenosti od proizvoda.
- Proizvod nikada nemojte upotrebljavati u lošim vremenskim uvjetima kao što su magla, kiša, jak vjetar, intenzivna hladnoća i pri opasnosti od grmljavinskog nevremena. Upotreba proizvoda po lošem vremenu ili na vlažnim ili mokrim lokacijama je zamorna. Pri lošem vremenu mogu nastati opasni uvjeti, primjerice skliske površine.
- Pazite na osobe, predmete i situacije koje mogu onemogućiti siguran rad proizvoda.
- Pazite na prepreke poput korijenja, kamenja, prutova, jama i jaraka. Visoka trava može sakrivati prepreke.

- Košenje trave na nagibima može biti opasno. Proizvod nemojte upotrebljavati na tlu s nagibom većim od 15°.
- Proizvod upotrebljavajte poprečno preko nagiba. Nemojte se kretati prema gore i dolje.
- Oprezno prilazite skrivenim kutovima i predmetima koji onemogućavaju jasan pregled.

Sigurnost pri radu



UPOZORENJE: Prije korištenja proizvoda pročitajte upozoravajuće upute u nastavku.

- Proizvod upotrebljavajte samo za košenje travnjaka. Upotreba za druge zadatke nije dopuštena.
- Upotrebljavajte osobnu zaštitnu opremu. Pogledajte *Oprema za osobnu zaštitu na stranici 134*.
- Provjerite znate li brzo zaustaviti motor u slučaju nužde.
- Nikada nemojte pokretati motor u zatvorenom prostoru ili u blizini zapaljivog materijala. Ispušne pare motora vruće su i mogu sadržavati vruće iskre koje mogu uzrokovati požar.
- Proizvod upotrebljavajte samo ako su nož i svi štitnici pravilno postavljeni. Nepravilno postavljen nož može se otpustiti i uzrokovati osobne ozljede.
- Pazite da nožem ne udarate u predmete poput kamenja ili korijenja. Time možete oštetiti nož i saviti vratilo motora. Savijena osovina uzrokuje snažne vibracije i vrlo visoku opasnost od otpuštanja noža.
- Ako nožem udarate u predmet ili osjetite vibracije, odmah zaustavite proizvod. Odspojite kabel za paljenje od svjećice. Pregledajte je li proizvod oštećen. Popravite oštećenja ili popravak prepustite ovlaštenom serviseru.
- Ručicu kočnice motora nikada trajno nemojte pričvrstiti za ručku kada je motor u pogonu.
- Proizvod postavite na stabilnu, ravnu površinu i pokrenite ga. Noževi ne smiju udarati u tlo ili druge predmete.
- Tijekom rukovanja proizvodom obavezno budite iza njega.
- Tijekom rukovanja proizvodom svi kotači trebaju biti na tlu, a 2 ruke na ručki. Ruke i stopala držite podalje od rotirajućih noževa.
- Proizvod nemojte naginjati kada je motor pokrenut.
- Budite pažljivi pri povlačenju proizvoda unatrag.
- Proizvod nikada nemojte podizati kada je motor pokrenut. Ako proizvod morate podići, prvo zaustavite motor i odspojite kabel za paljenje od svjećice.
- Tijekom rada s proizvodom nemojte hodati unatrag.
- Zaustavite motor prilikom prelaska preko velikih površina bez trave, primjerice šljunčanih, kamenih i asfaltnih staza.
- Nemojte trčati s proizvodom kada je motor pokrenut. Obavezno hodajte tijekom rada s proizvodom.

- Prije promjene visine rezanja zaustavite motor. Nemojte provoditi prilagodbe s pokrenutim motorom.
- Proizvod s pokrenutim motorom ne ispuštajte iz vida. Zaustavite motor i provjerite je li rezna oprema zaustavljena.

Sigurnosne upute za rad

Oprema za osobnu zaštitu



UPOZORENJE: Prije uporabe proizvoda pročitajte upozoravajuće upute u nastavku.

- Oprema za osobnu zaštitu ne može u potpunosti spriječiti ozljede, no smanjuje stupanj ozljede u slučaju nezgode. Pri odabiru odgovarajuće opreme zatražite pomoć ovlaštenog trgovca.
- Upotrebljavajte zaštitu sluha ako je razina buka veća od 85 dB.
- Nosite čizme otporne na klizanje ili cipele za teške uvjete rada. Nemojte nositi otvorene cipele ili biti bosi.
- Nosite teške, duge hlače.
- Prema potrebi nosite zaštitne rukavice, primjerice prilikom pričvršćivanja, pregleda ili čišćenja rezne opreme.

Sigurnosne upute za proizvod



UPOZORENJE: Prije korištenja proizvoda pročitajte upozoravajuće upute u nastavku.

- Nemojte koristiti proizvod s oštećenim zaštitnim uređajima.
- Redovito pregledavajte sigurnosne uređaje. Ako su sigurnosni uređaji neispravni, obratite se Husqvarna ovlaštenom trgovcu.

Provjera reznog poklopca

Rezni poklopac smanjuje vibriranje proizvoda te opasnost od ozljede nožem.

- Provjerite ima li na pokrovu noža oštećenja, primjerice napuklina.

Provjera štitnika remena

Štitnik remena smanjuje opasnost od ozljeda i onemogućuje izbacivanje puknutog pogonskog remena.

- Uvjerite se kako je štitnik remena neoštećen te pravilno pričvršćen. (Sl. 13)

Provjera štitnika remena

Štitnik remena smanjuje opasnost od ozljeda i onemogućuje izbacivanje puknutog pogonskog remena.

- Uvjerite se kako je štitnik remena neoštećen te pravilno pričvršćen. (Sl. 14)

Kočna poluga motora

Kočnom polugom motora zaustavljate motor. Motor se zaustavlja po otpuštanju kočne poluge motora.

Za pregled kočne poluge motora pokrenite motor i potom otpustite kočnu polugu motora. Ako se motor ne zaustavi za 3 sekunde, podesite kočnicu motora kod servisera tvrtke Husqvarna.

(Sl. 15)

Provjera sustava za smanjenje vibracija



UPOZORENJE: Preveliko izlaganje vibracijama može uzrokovati poremećaj cirkulacije ili oštećenje živčanog sustava kod osoba koji sa slabijom cirkulacijom. Ako imate simptome velikog izlaganja vibracijama, zatražite medicinsku pomoć. Ti simptomi uključuju trnce, gubitak osjećaja, bockanje, bolove, gubitak snage te promjene u boji ili stanju kože. Simptomi se uglavnom pojavljuju na prstima, rukama ili zglobovima.

Sustav za smanjenje vibracija smanjuje vibracije na ručkama tijekom rada.

Čelična cijev na upravljaču i reznom poklopcu smanjuje vibriranje. I model KLIPPO LB 548S e na upravljaču ima četiri montirane jedinice za ublažavanje vibracija.

- Provjerite jesu li upravljači i jedinice za ublažavanje vibracija neoštećeni. (Sl. 16)

Nosač noža

Nosač noža smanjuje opasnost od savijanja vratila motora. Ako nož udari u predmet, nož se pomiče prema nosaču noža. Pomak uzrokuje trošenje na površini nosača noža. Trošenje je znak ispravnosti zaštite vratila motora.

Prigušivač

Prigušivač razinu buke održava na minimumu i ispušne plinove usmjerava dalje od rukovatelja.

Nemojte upotrebljavati proizvod bez prigušivača ili s oštećenim prigušivačem. Neispravni prigušivač povećava razinu buke i opasnost od požara.



UPOZORENJE: Prigušivač se tijekom rada, nakon rada te kada motor pogonite u praznom hodu jako zagrije. Budite oprezni u blizini zapaljivih materijal i/ili para kako biste spriječili požar.

Provjera prigušivača

- Redovito provjeravajte je li prigušivač pravilno pričvršćen i neoštećen.

Sigurnost pri rukovanju s gorivom



UPOZORENJE: Prije korištenja proizvoda pročitajte upozoravajuće upute u nastavku.

- Nemojte pokretati proizvod ako u njemu ima goriva ili motornog ulja. Uklonite neželjeno gorivo/ulje i pričekajte na sušenje proizvoda.
- Ako gorivo proljeće po odjeći, odmah ju zamijenite.
- Gorivu nemojte dopustiti kontakt s tijelom jer može uzrokovati ozljede. Ako dođe do kontakta goriva s tijelom, sapunom i vodom isperite gorivo.
- Nemojte pokretati proizvod ako motor propušta. Redovito pregledavajte ima li na motoru propuštanja.
- Budite pažljivo s gorivom. Gorivo je zapaljivo, a pare su eksplozivne i mogu uzrokovati ozljede i smrt.
- Nemojte udisati pare goriva, one mogu uzrokovati ozljede. Osigurajte dovoljan protok zraka.
- U blizini goriva ili motora nemojte pušiti.
- U blizini goriva ili motora nemojte stavljati vruće predmete.
- Nemojte ulijevati gorivo kada je motor uključen.
- Prije ulijevanja goriva provjerite je li motor hladan.
- Prije ulijevanja goriva polako otvorite čep spremnika goriva i pažljivo ispusite tlak.
- Nemojte ulijevati gorivo u motor u zatvorenom prostoru. Nedovoljan protok zraka može uzrokovati ozljede ili smrt zbog gušenja ili trovanja ugljičnim monoksidom.
- Potpuno zategnite čep spremnika za gorivo. Ako čep spremnika za gorivo nije zategnut, postoji opasnost od požara.
- Prije pokretanja proizvod odmaknite najmanje 3 m / 10' od mjesta punjenja spremnika.
- Spremnik za gorivo nemojte puniti do kraja. Zagrijavanje uzrokuje širenje goriva. Ostavite mjesta pri vrhu spremnika za gorivo.

Sigurnosne upute za održavanje



UPOZORENJE: Prije korištenja proizvoda pročitajte upozoravajuće upute u nastavku.

- Ispušni plinovi iz motora sadrže ugljikov monoksid, vrlo opasan otrovni plin bez mirisa. Proizvod nemojte pokretati u zatvorenom ili uskom prostoru.
- Prije održavanja proizvoda zaustavite motor i odspojite kabel za paljenje od svjećice.
- Tijekom održavanja rezne opreme nosite zaštitne rukavice. Nož je vrlo oštar i lako dolazi do posjekotina.
- Dodatna oprema i izmjene proizvoda bez odobrenja proizvođača mogu uzrokovati ozbiljne ozljede ili smrt. Nemojte mijenjati proizvod. Obavezno upotrebljavajte dijelove s odobrenjem proizvođača.

- Ako se održavanje ne provodi ispravno i redovno, povećava se opasnost od ozljede i oštećenja proizvoda.
- Održavanje provodite isključivo prema uputama iz ovog priručnika za vlasnika. Sva druga servisiranja mora provoditi ovlašteni serviser tvrtke Husqvarna.

- Redovno servisirajte proizvod kod ovlaštenog serviser tvrtke Husqvarna.
- Zamijenite oštećene, istrošene ili polomljene dijelove.

Sastavljanje

Uvod



UPOZORENJE: Prije sastavljanja proizvoda morate pročitati i usvojiti poglavlje o sigurnosti.



UPOZORENJE: Prije sastavljanja proizvoda sa svječiце uklonite kabel svječiće.

Sastavljanje i podešavanje ručke

1. Uklonite maticu ručke i podlošku s ploče na gornjoj ručki.
2. Gornju ručku postavite u položaj iznad donje ručke.



OPREZ: Pazite da se žice ne zapetljaju ili oštete.

3. Postavite podlošku i maticu ručke. (Sl. 17)
4. Pri radu s proizvodom u blizini zida ručku okrenite na stranu prikladnu za rad. (Sl. 18)
5. Za okomito podešavanje ručke okrećite vijke za podešavanje na šasiji. (Sl. 19)

Sastavljanje priključka za sječku KLIPPO LB 448S, KLIPPO LB 548S e

1. Proizvod nagnite unatrag tako da podignete svječiću.
2. Klinove priključka za sječku postavite u otvore s unutarnje strane reznog poklopca. (Sl. 20)
3. Pričvrstite vijke priključka za sječku s vanjske strane reznog poklopca. (Sl. 21)

Rad

Uvod



UPOZORENJE: Prije rada s proizvodom morate pročitati i usvojiti poglavlje o sigurnosti.

Husqvarna Connect

Husqvarna Connect besplatna je aplikacija za mobilni uređaj. Aplikacija Husqvarna Connect pruža vam dodatne funkcije za proizvod Husqvarna.

- Opširnije informacije o proizvodu.
- Dodatne informacije i pomoć za dijelove i servisiranje proizvoda.

Početak rada sa Husqvarna Connect

1. Preuzmite aplikaciju Husqvarna Connect na svoj mobilni uređaj.
2. Prijavite se na aplikaciju Husqvarna Connect.
3. Pratite upute u aplikaciji Husqvarna Connect kako biste se spojili i registrirali proizvod.

Prije rada s proizvodom

1. Pažljivo pročitajte korisnički priručnik i prije upotrebe dobro usvojite sadržaj.
2. Pregledajte reznu opremu i uvjerite se da je pravilno pričvršćena i podešena. Pogledajte *Za pregled rezne opreme na stranici 139.*
3. Napunite spremnik goriva. Pogledajte *Ulivanje goriva na stranici 136.*
4. Napunite spremnik za ulje i provjerite razinu ulja. Pogledajte *Provjera razine ulja na stranici 139.*

Ulivanje goriva

Ako je dostupno, upotrebljavajte benzin s niskim emisijama/alkilatni benzin. Ako benzin s niskim emisijama / alkilatni benzin nije dostupan, upotrijebite kvalitetno bezolovno gorivo ili olovno gorivo s oktanskim brojem koji je niži od 90.



OPREZ: Nemojte koristiti benzin s oktanskim brojem manjim od 90 RON (87 AKI). Tako možete oštetiti proizvod.

1. Čep spremnika za gorivo otvarajte polako kako biste otpustili tlak.

2. Punite polako pomoću kantice za gorivo. Ako prolijete gorivo, obrišite ga krpom i pričekajte na sušenje preostalog goriva.
3. Očistite područje oko čepa spremnika za gorivo.
4. Potpuno zategnite čep spremnika za gorivo. Ako čep spremnika za gorivo nije zategnut, postoji opasnost od požara.
5. Prije pokretanja proizvod odmaknite najmanje 3 m (10') od mjesta punjenja spremnika.

Postavljanje visine rezanja

Visina rezanja podesiva je na 6 razina.

1. Polugu za visinu rezanja pomaknite naprijed kako biste povećali visinu rezanja.
2. Polugu za visinu rezanja pomaknite unatrag kako biste smanjili visinu rezanja.



OPREZ: Visinu rezanja nemojte postaviti prenisko. Noževi mogu udariti u tlo ako površina travnjaka nije ravna.

Pokretanje proizvoda

1. Provjerite je li kabel za paljenje priključen na svjećicu.
2. Otvorite ventil goriva. (Sl. 22)
3. Stanite iza proizvoda.
4. Pritisnite kočnu polugu motora uz upravljač. (Sl. 23)
5. Ručicu užeta pokretača držite desnom rukom.
6. Polako izvlačite užu pokretača dok ne osjetite otpor.
7. Snažno povucite za pokretanje motora.



UPOZORENJE: Nikad ne omotavajte užu za paljenje oko šake.

Održavanje

Uvod



UPOZORENJE: Prije održavanja morate pročitati i usvojiti poglavlje o sigurnosti.

Za sve radove servisiranja i održavanja na proizvodu potrebna je posebna obuka. Jamčimo dostupnost profesionalnih popravaka i servisa. Ako vaš distributer



OPREZ: Uže za paljenje nemojte potpuno izvlačiti. Nemojte ispuštati ručicu izvučenog užeta za paljenje.

Upotreba pogona na kotačima

- Pritisnite polugu pogona prema dolje. (Sl. 24)
- Prije povlačenja proizvoda unatrag odspojite pogon i gurnite proizvod prema naprijed za pribl. 10cm.
- Malo otpustite ručku kočnice motora kako biste odspojili pogon, primjerice kada se približavate prepreci.

Zaustavljanje proizvoda

- Kako biste zaustavili samo pogon, malo otpustite ručku kočnice motora.
- Za zaustavljanje motora potpuno opustite ručku kočnice motora.
- Zatvorite ventil goriva. (Sl. 25)

Za dobar ishod

- Uvijek upotrebljavajte oštar nož. Tup nož daje nepravilne rezultate, a rezana površina trave požuti. Oštar nož također troši manje energije od tupog.
- Nemojte rezati više od 1/3 od duljine trave. Prvo kosite s visoko postavljenom visinom za rezanje. Provjerite rezultat i spustite visinu rezanja na prihvatljivu razinu. Ako je trava vrlo dugačka, vozite polako i po potrebi kosite 2 puta.
- Svaki put kosite u drugom smjeru kako biste spriječili nastanak traka na travnjaku.

nije serviser, od njega zatražite informacije o najbližem serviseru.

Raspored održavanja

Intervali održavanja izračunati su za dnevnu upotrebu proizvoda. Intervali se mijenjaju ako se proizvod ne upotrebljava svakodnevno.

Za održavanja označena s * pogledajte upute u *Sigurnosne upute za proizvod na stranici 134.*

Održavanje	Dnevno	Tjedno	Mjesečno
Provedite opći pregled	X		
Provjerite razinu ulja	X		
Očistite proizvod	X		

Održavanje	Dnevno	Tjedno	Mjesečno
Očistite filter zraka	X		
Pregledajte reznu opremu	X		
Pregledajte pokrov noža*	X		
Pregledajte kočnu polugu motora*	X		
Pregledajte prigušivač*		X	
Pregledajte svjećicu		X	
Provjerite je li pogonski remen neoštećen			X
Očistite kućište mjenjača			X
Zamijenite ulje (prvi put nakon 5 h upotrebe, potom nakon svakih 25 h upotrebe i svake godine)			X
Zamijenite filter zraka			X
Pregledajte sustav goriva			X
Pregledajte i podesite pogon (sajla spojke)			X

Za opći pregled

- Provjerite jesu li sve matice i vijci na proizvodu pravilno pritegnuti.

Za vanjsko čišćenje proizvoda

- Četkom uklonite lišće, travu i onečišćenja.
- Provjerite prohodnost dovoda zraka na vrhu motora.
- Za čišćenje proizvoda nemojte koristiti visokotlačni stroj za pranje.
- Ako proizvod čistite vodom, nemojte izljevati vodu izravno na motor.

Za čišćenje unutarnje površine pokrova noža

1. Položite proizvod na bok s prigušivačem na donjoj strani.



OPREZ: Ako proizvod položite tako da je filter zraka na donjoj strani, možete oštetiti motor.

2. Unutarnju površinu pokrova noža isperite vodom.

Pregled pogonskog remena i čišćenje kućišta mjenjača

1. Uklonite četiri vijka sa štitnika remena i skinite štitnik remena. (Sl. 26)
2. Pregledajte jesu li pogonski remen i remenice remena neoštećeni.
3. Četkom uklonite lišće, travu i onečišćenja s kućišta mjenjača. (Sl. 27)

Zamjena i podešavanje pogonskog remena

1. Uklonite četiri vijka sa štitnika remena i skinite štitnik remena. (Sl. 26)
2. Umetnite ravni odvijlač između ratkape i kotača na desnom prednjem kotaču proizvoda.
3. Pažljivo zakrenite odvijlač kako biste uklonili ratkapu.
4. Uklonite vijak kotača i potom kotač. (Sl. 28)
5. Skinite pogonski remen s remenica remena.
6. Provjerite pomiču li se remenice remena lako na osovinu.
7. Ako je potrebno, raspršite prodiruće ulje između i iza remenica remena i podmažite osovinu.
8. Ugradite novi pogonski remen i pravilno ga pričvrstite na kuglični ležaj prije podešavanja pogonskog remena. (Sl. 29)
9. Pomičite kuglični ležaj gore ili dolje kako biste podesili pogonski remen. (Sl. 30)

Napomena: Novi pogonski remen produljuje se s upotrebom. Ponovno podesite pogonski remen nakon nekoliko radnih sati.

10. Pričvrstite štitnik remena.
11. Pogonite proizvod kako biste provjerili je li pogonski remen pravilno ugrađen i podešen.

Zamjena i podešavanje središnjeg remena

1. Uklonite nož.

Napomena: Ovaj korak nepotreban je ako samo podešavate središnji remen.

- Otpustite vijke za podešavanje za nekoliko okretaja, no nemojte ih ukloniti. (Sl. 31)
- Zamijenite središnji remen i umjereno zategnite vijke za podešavanje.

Napomena: Ovaj korak nepotreban je ako samo podešavate središnji remen.

- Pomaknite opremu naprijed ili unatrag kako biste podesili središnji remen. (Sl. 32)
- Dinamometrom provjerite zategnutost središnjeg remena. Remen je ispravno zategnut kada se u sredini pomiče za 6 – 10 mm. To je jednako opterećenju od 3 kg. (Sl. 33)
- Zategnite vijke za podešavanje na zatezni moment od 3 Nm.
- Pogonite proizvod kako biste provjerili je li pogonski remen pravilno ugrađen i podešen.

Za pregled rezne opreme



UPOZORENJE: Odvojite kabel za paljenje od svjeće kako biste spriječili slučajno pokretanje.



UPOZORENJE: Tijekom održavanja rezne opreme nosite zaštitne rukavice. Nož je vrlo oštar i lako dolazi do posjekotina.

- Pregledajte ima li na reznoj opremi oštećenja ili pukotina. Oštećenu reznu opremu obavezno zamijenite.
- Pregledajte nož kako biste ustanovili je li oštećen ili tup.

Napomena: Nakon oštrenja nož je nužno uravnotežiti. Nož naoštrite, zamijenite i uravnotežite u servisnom centru. Ako se pri udaru u prepreku proizvod zaustavi, zamijenite oštećeni nož. Procjenu za oštrenje ili zamjenu noža prepustite servisnom centru.

Zamjena noža

- Blokirajte nož drvenim blokom. (Sl. 34)
- Skinite vijak noža, podlošku opruge i nož. (Sl. 35)
- Provjerite jesu li nosač noža i vijak noža neoštećeni.
 - Pri zamjeni noža ili nosača noža također zamijenite vijak noža, podlošku opruge i tarnu podlošku.
- Pregledajte vratilo motora kako biste se uvjerali da je neoštećeno.
- Savijene rubove pri postavljanju novog noža usmjerite prema reznom poklopcu. (Sl. 36)

- Postanite tarnu podlošku i nož na nosač noža. (Sl. 37)
- Nož morate poravnati sa središtem vratila motora. (Sl. 38)
- Blokirajte nož drvenim blokom. (Sl. 39)
- Postavite elastični rasječni prsten i zategnite vijak na zatezni moment od 80 Nm. (Sl. 40)
- Ručno povucite nož u krug kako biste provjerili okreće li se slobodno.



UPOZORENJE: Upotrijebite zaštitne rukavice. Nož je vrlo oštar i lako dolazi do posjekotina.

- Pokrenite proizvod kako biste ispitali nož. Ako nož nije ispravno pričvršćen, proizvod vibrira ili ishod košenja nije zadovoljavajući.

Provjera razine ulja



OPREZ: Preniska razina ulja može uzrokovati oštećenje motora. Prije pokretanja proizvoda provjerite razinu ulja.

- Postavite proizvod na ravno tlo.
- Zatvorite ventil goriva.
- Skinite čep spremnika za ulje s pričvršćenom šipkom za mjerenje ulja.
- Očistite ulje sa šipke za mjerenje razine ulja.
- Umetnite šipku za mjerenje ulja u spremnik ulja, no nemojte zategnuti čep spremnika ulja.
- Uklonite mjernu šipku.
- Provjerite razinu ulja na šipci za mjerenje ulja.
- Ako je razina ulja niska, napunite motornim uljem i ponovno provjerite razinu ulja. Razina ulja ispravna je kada doseže gornju oznaku na šipci za mjerenje ulja.

Zamjena motornog ulja



UPOZORENJE: Motorno ulje vrlo je vruće neposredno nakon zaustavljanja motora. Prije ispuštanja motornog ulja pričekajte da se ohladi. Ako motorno ulje proljeće po koži, očistite ju sapunom i vodom.

- Proizvod upotrebljavajte dok ne ispraznite spremnik za gorivo.
- Odvojite kabel za paljenje od svjeće.
- Uklonite čep spremnika za ulje.
- Ispod proizvoda stavite posudu za skupljanje motornog ulja.
- Nagnite proizvod kako biste ispustili motorno ulje iz spremnika za ulje.

- Napunite novim motornim uljem preporučenim u *Tehnički podaci na stranici 141.*
- Provjerite razinu ulja. Pročitajte odjeljak *Provjera razine ulja na stranici 139.*

Čišćenje filtra zraka



OPREZ: Nemojte pogoniti motor bez filtra zraka ili sa zaprljanim filtrom zraka.



OPREZ: Ako filter zraka ne možete potpuno očistiti ili ako je oštećen, zamijenite ga. Neispravan filter zraka uzrokuje oštećenje motora.

- Pritisnite jezičke zasuna (A), skinite poklopac filtra zraka (B) i izvadite filter zraka (C). (Sl. 41)
- Filtrom zraka udarajte o tvrdnu površinu ili ga ispušite komprimiranim zrakom sa čiste strane.



OPREZ: Za odstranjivanje prljavštine ne koristite se četkom jer to samo gura prljavštinu dublje u filter zraka.

- Vlažnom krpom očistite držač filtra zraka (D) i poklopac filtra zraka.



OPREZ: Pazite da u zračni kanal (E) ne dospiju onečišćenja.

- Ugradite filter zraka. Provjerite je li filter zraka u potpunosti brtvi uz nosač filtra zraka.
- Ugradite poklopac filtra zraka prvo postavljajući donje jezičke.

Pregled svjeće



OPREZ: Uvijek koristite preporučenu vrstu svjeće. Neodgovarajuća vrsta svjeće može oštetiti proizvod.

- Ako motor nema snage, teško se pokreće ili ne radi ispravno u praznom hodu, pregledajte svjeću.
- Za smanjenje opasnosti od nepoželjnog materijala na elektrodama svjeće pratite sljedeće upute:
 - Provjerite je li broj okretaja pri praznom hodu pravilno podešen.
 - Provjerite ispravnost mješavine goriva.
 - Provjerite je li filter zraka čist.
- Ako je svjećica prijava, očistite je i provjerite ispravnost zazora elektroda, pogledajte *Tehnički podaci na stranici 141.* (Sl. 42)
- Ako je potrebno, zamijenite svjećicu.

Pregled sustav goriva

- Pregledajte čep spremnika za gorivo i brtvu čepa spremnika za gorivo i uvjerite se kako su neoštećeni.
- Pregledajte crijevo goriva kako biste se uvjerali da nema propuštanja. Ako je crijevo goriva oštećeno, zamijenite ga kod serviser.

Podešavanje sajle spojke

Ako pogon djeluje sporo, nužno je podesiti sajlu spojke.

- Okrećite vijak za podešavanje. (Sl. 43)

Sajla spojke pravilno je podešena kada je nosač sajle spojke poravnat s maticom.

(Sl. 44)

Prijevoz, spremanje i zbrinjavanje

Prijevoz i skladištenje

- Za prijevoz i skladištenje proizvoda i goriva uvjerite se kako nema propuštanja ili isparavanja. Iskre ili otvoren plamen, primjerice od električnih uređaja ili bojlera, mogu uzrokovati požar.
- Za prijevoz i skladištenje goriva obavezno upotrebljavajte odobrene spremnike.
- Prije dugotrajnog skladištenja proizvoda ispraznite spremnik za gorivo. Zbrinite gorivo na prikladnoj lokaciji za zbrinjavanje
- Čvrsto osigurajte proizvod za prijevoz kako biste spriječili oštećenja i nezgode.
- Proizvod čuvajte u zaključanom prostoru kako biste onemogućili pristup djeci ili osobama bez odobrenja.

- Proizvod skladištite u suhom prostoru bez mraza.

Odlaganje

- Poštujte lokalne zahtjeve za reciklažu i važeće propise.
- Sve kemikalije, poput motornog ulja ili goriva, zbrinite u servisnom centru ili na prikladnoj lokaciji za zbrinjavanje.
- Ako proizvod tvrtke ne upotrebljavate, pošaljite ga distributeru tvrtke Husqvarna ili ga zbrinite na lokaciji za reciklažu.

Tehnički podaci

Tehnički podaci

	KLIPPO LB 448S	KLIPPO LB 453S	KLIPPO LB 548S e
Motor			
Marka	Honda	Honda	Honda
Zapremnina, cm ³	145	166	166
Brzina, o/min	2900	2900	2900
Nazivna izlazna snaga motora, kW ⁵¹	2,7	3,3	3,3
Sustav paljenja			
Svjećica	NGK BPR5ES	NGK BPR5ES	NGK BPR5ES
Zazor elektroda, mm	0,7 – 0,8	0,7 – 0,8	0,7 – 0,8
Sustav za gorivo i podmazivanje			
Zapremnina spremnika goriva, litre	0,9	0,9	0,9
Zapremnina spremnika ulja, litre	0,55	0,5	0,55
Motorno ulje ⁵²	SAE 10W-30	SAE 10W-30	SAE 10W-30
Masa			
S praznim spremnicima, kg	30,5	33	32,5
Emisije buke⁵³			
Razina jačine zvuka, mjerena u dB (A)	90	91	90
Razina jačine zvuka, zajamčena L _{WA} dB (A)	91	94	91
Razine buke⁵⁴			
Razine tlaka zvuka na uhu rukovatelja, dB (A)	77	78	78
Razine vibracija, a_{hveq}⁵⁵			
Ručka, m/s ²	4,5	5,3	4,8

⁵¹ Navedena nazivna snaga motora prosječna je neto izlazna snaga (pri navedenom broju okretaja u minuti) tipičnog serijskog motora za određeni model mjerena prema normi SAE J1349/ISO1585. Vrijednost se može razlikovati za motore za masovnu proizvodnju. Stvarna izlazna snaga motora ugrađenog u krajnji proizvod ovisi o radnoj brzini, uvjetima u okolišu i drugim vrijednostima.

⁵² Upotrebljavajte motorno ulje kvalitete SG – SH. Tablice viskoznosti potražite u korisničkom priručniku proizvođača motora i odaberite najbolju viskoznost s obzirom na očekivanu vanjsku temperaturu.

⁵³ Emisije buke u okoliš izmjerene kao jakost zvuka (L_{WA}) u skladu s EZ direktivom 2000/14/EZ.

⁵⁴ Razina tlaka zvuka u skladu s ISO 5395. Navedeni podaci za razinu pritiska zvuka uključuju tipično statističko raspršenje (standardno odstupanje) od 1,2 dB (A).

⁵⁵ Razina vibracija u skladu s ISO 5395. Podaci o razini vibracije pokazuju tipičnu statističku disperziju (standardnu devijaciju) od 0,2 m/s².

	KLIPPO LB 448S	KLIPPO LB 453S	KLIPPO LB 548S e
Oprema za rezanje			
Visina rezanja, mm	30 – 60	30 – 60	30 – 60
Visina rezanja u mm	480	530	480
Nož	Sječka – 48 cm	Sječka – 53 cm	Sječka – 48 cm
	5028813-10	5028814-10	5028813-10
Pogon			
Brzina u km/h	4,5	4,5	4,5

Izjava o sukladnosti EC

EZ izjava o sukladnosti

Husqvarna AB, SE-561 82 Huskvarna, Švedska, tel:
+46-36-146500 izjavljuje da su **kosilice Husqvarna
KLIPPO LB 448S, KLIPPO LB 453S, KLIPPO LB 548S**
e od serijskog broja 2020xxxxxxx nadalje sukladne
zahtjevima DIREKTIVE VIJEĆA:

- od 17. svibnja 2006. „o strojevima“ **2006/42/EZ**
- od 26. veljače 2014. „o elektromagnetskoj
kompatibilnosti“ **2014/30/EU**
- od 8. svibnja 2000. „o emisijama buke u okoliš“
2000/14/EZ
- od 8. lipnja 2011. „o ograničenoj upotrebi određenih
opasnih tvari u električnoj i elektroničkoj opremi“
2011/65/EU

Informacije o emisiji buke potražite u tehničkim
podacima.

Primijenjeni su sljedeći standardi:

**EN ISO 5395-1, EN ISO 5395-2, EN ISO 5395-2 Amd1,
EN ISO 5395-2 Amd 2, EN 55012, EN 50581:2012**

Osim ako nije navedeno drugačije, prethodno navedene
norme zadnje su objavljene verzije.

Prijavljeno tijelo: **0404, RISE SMP Svensk
Maskinprovning AB, Box 7035, SE-750 07 Uppsala**
objavilo je izvješće koje se odnosi na procjenu
sukladnosti s aneksom VI DIREKTIVE VIJEĆA od 8.
svibnja 2000. "o emisijama buke u okoliš" 2000/14/EC.

Huskvarna, 2020-09-16



Claes Losdal, razvojni menadžer/vrtni proizvodi
(ovlašteni predstavnik tvrtke Husqvarna AB i nositelj
odgovornosti za tehničku dokumentaciju)

TARTALOMJEGYZÉK

Bevezető.....	144	Karbantartás.....	150
Biztonság.....	145	Szállítás, tárolás és ártalmatlanítás.....	153
Összeszerelés.....	148	Műszaki adatok.....	153
Üzemeltetés.....	148	EK megfeleléségi nyilatkozat.....	155

Bevezető

Termékleírás

A termék egy gyalog kísért forgókéses fűnyíró, mely a BioClip® technológia segítségével végzi el a fű trágyázásra való vágását.

A termék áttekintése

(ábra 1)

1. Fogantyú
2. Fékkar
3. Meghajtókar
4. Indítószinór fogantyúja
5. Olajbeöntő nyílás fedele
6. Szíjvédő burkolat
7. Kipufogódob
8. Gyújtógyertya
9. Szíjvédő burkolat
10. Üzemanyagtartály
11. A fogantyú szögének beállítására szolgáló kar
12. Rezgécscillapító rendszer
13. A tengelykapcsoló bovden beállítása
14. Alsó fogantyú
15. Vágási magasságot szabályozó kar
16. Üzemanyag-szelep
17. Légszűrő
18. Vágóburkolat
19. Rugóalátét
20. Késtartó csavar
21. Kés
22. Késtámasz
23. Műcsoszó dugó (KLIPPO LB 448S, KLIPPO LB 548S e)
24. Kezelői kézikönyv

A termék szimbólumai

(ábra 2) **FIGYELMEZTETÉS:** A gondatlan vagy helytelen használat a kezelő vagy mások sérülését vagy halálát okozhatja.

(ábra 3) Olvassa el figyelmesen a használati utasítást, és győződjön meg róla, hogy megértette azt, mielőtt a terméket használatba veszi.

Rendeltetésszerű használat

A termék fűnyírásra szolgál. Ne használja a terméket egyéb feladatokra.

(ábra 4) Legyen óvatos a kivetett és visszapatlanó tárgyakkal.

(ábra 5) A személyeket és állatokat tartsa biztonságos távolságban a munkaterülettől.

(ábra 6) Javítás vagy karbantartás előtt állítsa le a motort, és vegye le a gyújtáskábelt.

(ábra 7) Figyelmeztetés: Tartsa távol kezét és lábát a forgó alkatrészekről.

(ábra 8) Figyelmeztetés: Tartsa távol kezét és lábát a forgó késektől.

(ábra 9) Ez a termék megfelel a vonatkozó EK irányelveknek.

(ábra 10) A 2000/14/EK számú európai irányelvnek és New South Wales „Környezetben történő munkavégzés (zajszabályozás) szabályozása, 2017” irányelvének megfelelő környezeti zajszennyezés. A zajszennyezésre vonatkozó adatok a gép címkéjén és a Műszaki adatok című fejezetben találhatóak.

(ábra 11) Beolvasható kód.

Megjegyzés: A terméken szereplő többi jelölés/címke néhány piac specifikus vizsgáztatási követelményeire vonatkozik.

A terméken található matrica, csak Ausztrália és Új-Zéland esetében

(ábra 12)

Tartsa távol kezét és lábát a forgó késektől.

Euro V. kibocsátási norma



FIGYELMEZTETÉS: A motor módosítása érvényteleníti a termékre vonatkozó európai uniós típusjóváhagyást.

Termékszavatosság

A termékszavatosságra vonatkozó jogszabályok értelmében nem vagyunk felelősek a termékeink által okozott károkért az alábbi esetekben:

- a termék javítását helytelenül végezték;
- a termék javítása nem a gyártótól származó vagy általa jóváhagyott alkatrészekkel történt;
- a terméket nem a gyártótól származó vagy általa jóváhagyott kiegészítővel szerelték fel;
- a termék javítását nem hivatalos szakszerviz vagy jóváhagyott egyéb szerviz végezte.

Biztonság

Biztonsági meghatározások

A figyelmeztetések, óvintézkedések és megjegyzések a használati utasítás kiemelten fontos részeire hívják fel a figyelmet.



FIGYELMEZTETÉS: Akkor használatos, ha a kézikönyv utasításainak be nem tartása esetén fennáll a kezelő vagy a közelben tartózkodók sérülésének vagy halálának veszélye.



VIGYÁZAT: Akkor használatos, ha a kézikönyv utasításainak be nem tartása esetén fennáll a vagyoni kár, illetve a termék vagy a környező terület károsodásának veszélye.

Megjegyzés: További információt biztosít az adott helyzetben szükséges tennivalóról.

Általános biztonsági utasítások



FIGYELMEZTETÉS: A termék használata előtt olvassa el az alábbi figyelmeztetéseket.

- Ez a termék veszélyes, ha helytelenül használja, vagy ha nem vigyáz. A biztonsági utasítások be nem tartása sérüléssel vagy halállal járhat.
- A termék működés közben elektromágneses mezőt hoz létre. Ez bizonyos körülmények esetén hatással lehet az aktív vagy passzív orvosi implantátumokra. A súlyos vagy halálos sérülés kockázatának csökkentése érdekében azt javasoljuk, hogy az orvosi implantátumot használó személyek a termék alkalmazása előtt kérjék ki orvosuk vagy az orvosi implantátum gyártójának tanácsát.
- Mindig megfontoltan és előrelátóan cselekedjen. Ha nem biztos benne, hogyan kell a terméket speciális helyzetben üzemeltetni, akkor hagyja abba a

- tevékenységet, és beszéljen a Husqvarna kereskedőjével a folytatás előtt.
- Ne feledje, hogy a kezelő felelős a másokat és a mások tulajdonát érő balesetekért is.
 - Tartsa tisztán a terméket. Ügyeljen arra, hogy a jelek és címkék jól olvashatóak legyenek.
 - Ne engedje, hogy használják a terméket, amíg nem gondoskodott róla, hogy elolvassák és megértsék a használati utasítás tartalmát.
 - A terméket gyermekek nem használhatják.
 - Tartsa távol a gyermekeket a munkavégzési területtől. Egy felelős felnőttnek mindig jelen kell lennie.
 - Ne használja a terméket olyan személy, aki nem ismeri a kezelési utasítást.
 - Csökkent fizikai vagy szellemi képességekkel rendelkező személy csak felügyelet mellett használhatja a terméket. Egy felelős felnőttnek mindig jelen kell lennie.
 - Ne használja a terméket, ha fáradt, beteg, illetve alkohol, drog vagy gyógyszer hatása alatt áll. Ez negatív hatással van a látására, az éberségére, a koordinációjára és az ítélőképességére.
 - Ne használja a terméket, ha hibás.
 - Ne változtassa meg a terméket, vagy ne használja, ha feltehetőleg valaki más változtatásokat hajtott végre rajta.
 - Ne módosítson a motorfordulatszám-szabályozás beállításán.

A munkaterület biztonsága



FIGYELMEZTETÉS: A termék használata előtt olvassa el az alábbi figyelmeztetéseket.

- A termék használata előtt távolítsa el a különböző tárgyakat, például ágakat, gallyakat és köveket a munkaterületről.
- A vágószerkezetnek ütköző tárgyak elrepülve személyek vagy tárgyak sérülését okozhatják. A közelben állókat és az állatokat tartsa biztonságos távolságban a terméktől.

- Ne használja a terméket rossz időben, például ködben, esőben, erős szélben, nagy hidegben, villámás veszélyes esetén. A termék rossz időjárás körülmények között vagy nyirkos, nedves helyeken történő használata fásasztó. A rossz időjárás veszélyes körülményeket, például csúszós felületeket okozhat.
- Ügyeljen az olyan személyekre, tárgyra és helyzetekre, amelyek akadályozzák a termék biztonságos üzemeltetését.
- Ügyeljen az olyan akadályokra, mint a gyökerek, kövek, gallyak, gödrök és árkok. A magas fű akadályokat rejthet.
- A lejtőkön levő fű nyírása veszélyes lehet. Ne használja a terméket 15 foknál meredekebb lejtőn.
- Az emelkedőknél/lejtőknel mindig oldalirányban működtesse a terméket. Ne haladjon felfelé vagy lefelé.
- Legyen körültekintő, ha olyan sarkok és tárgyak közelébe ér, amelyek gátolják a tiszta kilátást.

- Mindig maradjon a termék mögött, amikor működteti.
- A termék üzemeltetése során minden kerék legyen a talajon, és tartsa két kézzel a fogantyút. Tartsa távol kezét és lábát a forgó késektől.
- Ne döntse meg a terméket, ha a motor jár.
- Legyen óvatos, amikor hátrafelé húzza a terméket.
- Soha ne emelje fel a terméket, ha a motor jár. Ha fel kell emelnie a terméket, előbb kapcsolja ki a motort, és válassza le a gyújtásvezetékét a gyújtógyertyáról.
- Ne sétáljon hátrafelé a termék működtetése során.
- Állítsa le a motort, ha olyan területeken halad át, ahol nincs fű, például kavicsos, kövezett és aszfaltozott járdák.
- Ne fusson a termékkel, ha a motor jár. Mindig sétáljon a termék működtetése során.
- Mielőtt megváltoztatná a vágási magasságot, állítsa le a motort. Soha ne végezzen beállításokat, amikor a motor jár.
- Soha ne hagyja a terméket felügyelet nélkül járó motor esetén. Állítsa le a motort és győződjön meg arról, hogy a vágószerkezet nem forog.

Munkabiztonság



FIGYELMEZTETÉS: A termék használata előtt olvassa el az alábbi figyelmeztetéseket.

- Ezt a terméket kizárólag füves pázsitok nyírására használja. A termék más feladatokra történő használata nem megengedett.
- Használjon személyi védőfelszerelést. Lásd: *Személyi védőfelszerelés 146. oldalon.*
- Mindenképpen legyen tisztában azzal, hogy veszélyes helyzet esetén hogyan kell gyorsan leállítani a motort.
- Soha ne indítsa el a motort zárt térben vagy gyúlékony anyag közelében. A motorból kijutó kipufogó füstök forrók és szikrákat tartalmazhatnak, amelyek tüzet okozhatnak.
- Ne használja a készüléket, hacsak a kés és az összes borítás nincs megfelelően rögzítve. A nem megfelelően rögzített kés kilazulhat, és személyi sérülést okozhat.
- Ügyeljen arra, hogy a kés ne ütközzön olyan tárgyakba, mint például kövek és gyökerek. Ez kárt tehet a késben, és meghajlíthatja a motor tengelyét. A meghajlott tengely erős rezgést okoz, és így nagyon nagy a kockázata annak, hogy a kés meglazul.
- Ha a kés valamilyen tárgynak ütközik vagy rezegni kezd, azonnal állítsa le a terméket. Húzza ki a gyújtáskábelt a gyújtógyertyából. Ellenőrizze, hogy a termék sérülésmentes-e. Javítsa meg a sérüléseket, vagy végeztesse el a szakszervizzel a javításokat.
- Amikor a motor működésben van, soha ne rögzítse tartósan a fékkart a fogantyúhoz.
- Helyezze a terméket stabil, vízszintes felületre, és kapcsolja be. Gondoskodjon arról, hogy a kés ne ütközzön se a talajba, se egyéb tárgyakba.

Biztonsági utasítások az üzemeltetéshez

Személyi védőfelszerelés



FIGYELMEZTETÉS: A termék használata előtt olvassa el az alábbi figyelmeztetéseket.

- A személyi védőfelszerelés nem küszöböli ki teljes mértékben a sérülés kockázatát, de csökkenti a sérülés mértékét, ha bekövetkezik a baleset. A megfelelő felszerelés kiválasztásában kérje a kereskedő segítségét.
- 85 dB-nél magasabb zajszint esetén használjon hallásvédőt.
- Használjon nagy teherbírású, csúszásmentes bakancsot vagy cipőt. Ne használja nyitott cipőben vagy meztibb a terméket.
- Viseljen vastag, hosszú szárú nadrágot.
- Viseljen védőkesztyűt, például a vágószerkezet felhelyezésekor, ellenőrzésekor vagy tisztításakor.

Biztonsági eszközök a terméken



FIGYELMEZTETÉS: A termék használata előtt olvassa el az alábbi figyelmeztetéseket.

- Ne használjon olyan terméket, amelynek hibásak a biztonsági eszközei.
- Rendszeresen ellenőrizze a biztonsági eszközöket. A biztonsági eszközök meghibásodása esetén vegye fel a kapcsolatot a Husqvarna szervizműhellyel.

A vágóburkolat ellenőrzése

A vágóburkolat csökkenti a termék rezgését és a kés okozta sérülések kockázatát.

- Vizsgálja meg a vágóburkolatot, hogy nincs rajta sérülés, például repedés.

A szíjvédő burkolat ellenőrzése

A szíjvédő burkolat csökkenti a sérülések kockázatát, és gondoskodik arról, hogy az elszakadt hajtó ékszíj ne repülhessen le a termékről.

- Győződjön meg arról, hogy a szíjvédő burkolat sérülésmentes-e, és hogy megfelelően van-e felszerelve. (ábra 13)

A szíjvédő burkolat ellenőrzése

A szíjvédő burkolat csökkenti a sérülések kockázatát, és gondoskodik arról, hogy az elszakadt hajtó ékszíj ne repülhessen le a termékről.

- Győződjön meg arról, hogy a szíjvédő burkolat sérülésmentes-e, és hogy megfelelően van-e felszerelve. (ábra 14)

Fékkár

A fékkár a motor leállítására szolgál. Ha elengedi a fékkart, a motor leáll.

A motorfék ellenőrzéséhez indítsa el a motort, majd engedje el a fékkart. Ha a motor 3 másodpercen belül nem áll le, állíttassa be egy hivatalos Husqvarna szakszervizben a motorféket.

(ábra 15)

A rezgéscsillapító rendszer ellenőrzése



FIGYELMEZTETÉS: Az erős rezgés a vérkeringési zavarokban szenvedő személyeknél ér- vagy idegsérüléseket okozhat. Forduljon orvoshoz, ha olyan tüneteket tapasztal, amelyek az erős rezgés hatására jöhetnek létre. Ezek a tünetek lehetnek többek között: zsibbadás, érzéskiesés, bizsergés, szúró érzés, fájdalom, erőtlenség, a bőr színének vagy felületének megváltozása. A tünetek többnyire az ujjakban, a kézben vagy a csuklóban jelentkeznek.

A rezgéscsillapító rendszer csökkenti a fogantyúk rezgését működés közben.

A fogantyúban található acélcső és a vágóburkolat csökkenti a rezgés erősségét. A KLIPPO LB 548S e fogantyúja emellett 4 rögzített rezgéscsillapító egységgel is rendelkezik.

- Ellenőrizze, hogy nem található-e sérülés a fogantyún és a rezgéscsillapító egységeken. (ábra 16)

Késtámasz

A késtámasz csökkenti a motortengely elhajlásának kockázatát. Ha a kés valamilyen tárgyba ütközik, akkor a kés a késtámasznak ütődik. Ez a behatás a késtámasz felületének a kopásához vezet. A kopás azt jelzi, hogy a motortengely védelmét szolgáló mechanizmus megfelelően működik.

Kipufogódob

A kipufogódob minimálisra csökkenti a zajszintet, és elvezeti a kipufogógázokat a kezelő közeléből.

Hiányzó vagy hibás kipufogódob esetén ne használja a terméket. A hibás kipufogódob növeli a zajszintet és a tűzveszélyt.



FIGYELMEZTETÉS:

A kipufogódob erősen felhevül használat közben és után, illetve, amikor a motor alappáraton működik. Legyen óvatos gyúlékony anyagok és/vagy gőzök közelében a tűzveszély elkerülése érdekében.

A hangfogó ellenőrzése

- Rendszeresen ellenőrizze a kipufogódob megfelelő rögzítését és épségét.

Üzemanyaggal kapcsolatos biztonság



FIGYELMEZTETÉS:

A termék használata előtt olvassa el az alábbi figyelmeztetéseket.

- Ne indítsa be a terméket, ha üzemanyag vagy motorolaj került rá. Távolítsa el a nem kívánt üzemanyagot/motorolajat és hagyja megszáradni a terméket.
- Ha a kiömlött üzemanyag a ruhájára csöppent, öltözzön át azonnal.
- Ügyeljen arra, hogy ne kerüljön üzemanyag a testére, mert az sérülést okozhat. Ha üzemanyag került a testére, távolítsa el szappannal és vízzel.
- Ne indítsa be a motort, ha szivárog a motor.
- Vizsgálja meg rendszeresen a motort szivárgás szempontjából.
- Bánjon óvatosan az üzemanyaggal. Az üzemanyag gyúlékony, a gőzei robbanásveszélyesek, ezért súlyos, akár végzetes sérülést is okozhat.
- Ne lélegezze be az üzemanyag gőzeit, egészségkárosodást okozhatnak. Gondoskodjon megfelelő légáramlásról.
- Az üzemanyag vagy a motor közelében ne dohányozzon.
- Az üzemanyag vagy a motor közelébe ne tegyen forró tárgyakat.
- Ne tankoljon járó motornál.
- Várja meg a tankolással, amíg lehűl a motor.

- Tankolás előtt nyissa meg lassan a tanksapkát, engedje ki óvatosan a nyomást.
- Ne beltérben tankoljon. A nem elegendő mértékű légáramlás fulladás vagy szén-monoxid miatt egészségkárosodást, akár halált is okozhat.
- Húzza meg teljesen az üzemanyagtartály sapkáját. Ha az üzemanyagtartály sapkája nincs meghúzva, tűzveszélyt okozhat.
- Beindítás előtt vigye a terméket legalább 3 m távolságra a tankolás helyétől.
- Ne töltsen teljesen tele az üzemanyagtartályt. Hő hatására az üzemanyag kitágul. Hagyon egy kis helyet az üzemanyagtartály tetejénél.

Biztonsági utasítások a karbantartáshoz



FIGYELMEZTETÉS: A termék használata előtt olvassa el az alábbi figyelmeztetéseket.

- A motorból származó kipufogógázok szén-monoxidot tartalmaznak, amely szagtalan, mérgező,

- rendkívül veszélyes gáz. Ne indítsa be a motort beltérben vagy zárt helyen.
- A termék karbantartása előtt állítsa le a motort, és húzza ki a gyújtáskábelt a gyújtógyertyából.
- A vágószerkezet karbantartásakor használjon védőkesztyűt. A kés nagyon éles, könnyen megvághatja magát.
- A gyártó által nem jóváhagyott tartozékok és változtatások súlyos sérülést vagy halált okozhatnak. Ne végezzen módosításokat a terméken. Csak a gyártó által jóváhagyott tartozékokat használjon.
- Ha a karbantartást nem megfelelően és rendszeresen végezték el, nő a termék sérülésének és károsodásának kockázata.
- Csak a felhasználói kézikönyvben megadott karbantartást végezze el. Minden egyéb szervizelés csak hivatalos Husqvarna szervizműhely végezhet.
- Végeztesse a termék rendszeres szervizelését hivatalos Husqvarna szervizműhellyel.
- A sérült, kopott vagy törött alkatrészt cserélje ki.

Összeszerelés

Bevezető



FIGYELMEZTETÉS: A termék összeszerelése előtt el kell olvasnia és meg kell értenie a biztonságról szóló fejezetet.



FIGYELMEZTETÉS: A termék összeszerelése előtt távolítsa el a gyújtógyertya kábelét a gyújtógyertyából.

A fogantyú felszerelése és beállítása

1. Távolítsa el a fogantyúnyát és az alátétet a felső fogantyún található lemezről.
2. Helyezze a felső fogantyút az alsó fogantyúra.



VIGYÁZAT: Ügyeljen arra, hogy a vezetékek ne akadjanak be és ne sérüljenek meg.

3. Rögzítse az alátétet és a fogantyúnyát. (ábra 17)
4. Fal mentén történő használat esetén a fogantyú oldalra fordításával megfelelő működési pozícióba állíthatja a terméket. (ábra 18)
5. Fordítsa el a vázon található beállítókerekeket a fogantyú függőleges beállításához. (ábra 19)

A mulcsozó dugó összeszerelése KLIPPO LB 448S, KLIPPO LB 548S e

1. Döntse hátra a terméket úgy, hogy a gyújtógyertya felfelé nézzen.
2. Illessze a mulcsozó dugó csapszegeit a nyílásokba a vágóburkolat belső oldala felől. (ábra 20)
3. Rögzítse a mulcsozó dugó csavarjait a vágóburkolat külső oldala felől. (ábra 21)

Üzemeltetés

Bevezető



FIGYELMEZTETÉS: A termék működtetése előtt el kell olvasnia és meg kell értenie a biztonságról szóló fejezetet.

Husqvarna Connect

A Husqvarna Connect egy ingyenes mobilalkalmazás. A Husqvarna Connect alkalmazás kibővített funkciókat biztosít Husqvarna termékéhez:

- Bővebb termékinformációk.
- Információk és segítség a termékkalkatrészekkel és a szervizeléssel kapcsolatban.

A Husqvarna Connect használatának megkezdése

1. Töltse le a Husqvarna Connect alkalmazást mobileszközére.
2. Regisztráljon egy fiókot a Husqvarna Connect alkalmazásban.
3. A termék csatlakoztatásához és regisztrálásához kövesse a Husqvarna Connect alkalmazásban megjelenő utasításokat.

A termék működtetése előtt

1. Olvassa el figyelmesen a használati utasítást, és győződjön meg róla, hogy megértette azt.
2. Vizsgálja meg a vágószerkezetet, hogy megbizonyosodjon róla, hogy megfelelően van-e rögzítve és beállítva. Lásd *A vágószerkezet ellenőrzése 151. oldalon.*
3. Töltse fel az üzemanyagtartályt. Lásd *Tankolás 149. oldalon.*
4. Töltse fel az olajtartályt, és ellenőrizze az olajsintet. Lásd *Az olajsint ellenőrzése 152. oldalon.*

Tankolás

Ha elérhető, használjon környezetbarát/alkilát benzint. Ha környezetbarát/alkilát benzin nem áll rendelkezésre, használjon jó minőségű, legalább 90-es oktánszámú ólmentes vagy ólomtartalmú benzint.



VIGYÁZAT: Ne használjon 90 RON (87 AKI) oktánszámúnál gyengébb benzint. Ezzel kárt tehet a termékben.

1. Lassan nyissa ki az üzemanyagtartály sapkáját, hogy kiengedje a nyomást.
2. Töltsön fel lassan a tartályt az üzemanyagkannával. Ha kiömlött az üzemanyag, törölje le egy kendővel, és hagyja, hogy a megmaradt üzemanyag felszáradjon.
3. Tartsa tisztán az üzemanyagtartály sapkájának környékét.
4. Húzza meg teljesen az üzemanyagtartály sapkáját. Ha az üzemanyagtartály sapkája nincs meghúzva, tűzveszélyt okozhat.
5. Vigye legalább 3 m (10 láb) távolságra a terméket a tankolás helyétől, mielőtt beindítaná.

A vágási magasság beállítása

A vágási magasság 6 különböző szintre állítható.

1. Mozgassa a vágási magasságot szabályozó kart előre felé a vágási magasság növeléséhez.
2. Mozgassa a vágási magasságot szabályozó kart hátrafelé a vágási magasság csökkentéséhez.



VIGYÁZAT: Ne állítsa túl alacsonyra a vágási magasságot. A kések a talajba ütközhetnek, ha a pázsit felülete nem egyenletes.

A termék elindítása

1. Győződjön meg róla, hogy a gyújtáskábel csatlakozik a gyújtógyertyához.
2. Nyissa ki az üzemanyagszelepet. (ábra 22)
3. Maradjon a termék mögött.
4. Húzza a fékkart a fogantyúhoz. (ábra 23)
5. Fogja meg a berántókötél fogantyúját jobb kézzel.
6. Lassan húzza ki a berántókötelt, amíg ellenállást nem érez.
7. Erőteljes mozdulattal rántsa be a motort.



FIGYELMEZTETÉS: Ne tekerje a berántókötelt a keze köré.



VIGYÁZAT: Ne húzza ki teljesen a berántókötelt. A berántókötél kihúzását követően ne engedje el a kötélfogantyúját.

A kerekeken levő meghajtó használata

- Nyomja le a meghajtókart. (ábra 24)
- Mielőtt maga felé húzza a gépet, kapcsolja ki a meghajtást, és tolja előre a gépet kb. 10cm-re.
- Kissé engedje el a fékkart a meghajtás kikapcsolásához, például abban az esetben, ha akadály közelébe ér.

A termék leállítás

- Ha csak a meghajtást szeretné leállítani, kissé engedje el a fékkart.
- A motor leállításához teljesen engedje el a fékkart.
- Zárja el az üzemanyagszelepet. (ábra 25)

Megfelelő eredmény elérése

- Használjon mindig éles kést. A tompa kés egyenetlen eredményt ad, és a fű vágási felülete megsárgul. Az éles kés egyben kevesebb energiát igényel, mint a tompa kés.
- Ne nyírjon le többet a fű hosszának $\frac{1}{3}$ -ánál. Először nagy vágási magasságot állítson be, és úgy nyírjon. Vizsgálja meg az eredményt, és csökkentse a vágási magasságot egy megfelelő szintre. Ha nagyon magas a fű, lassan és szükség esetén 2-szer nyírjon.
- Minden alkalommal más irányban haladjon, hogy ne alakuljanak ki sávok a pázsiton.

Karbantartás

Bevezető



FIGYELMEZTETÉS: Karbantartás előtt el kell olvasnia és meg kell értenie a biztonságról szóló fejezetet.

A gépen végzett minden szerviz- és javítási munkát szakképzettséget igényel. Garantáljuk a professzionális javítások és szervizelés lehetőségét. Ha viszonteladója nem szervizműhely, forduljon hozzájuk a legközelebbi szervizműhellyel kapcsolatban.

Karbantartási terv

A karbantartási intervallumok meghatározásakor a termék napi használatát feltételeztük. Az intervallum változik, ha a terméket nem napi rendszerességgel használja.

A *-gal jelölt karbantartásokhoz az utasításokat lásd: *Biztonsági eszközök a terméken 146. oldalon.*

Karbantartás	Naponta	Hetente	Havonta
Végezzen általános ellenőrzés	X		
Ellenőrizze az olajsintet	X		
Tisztítsa meg a terméket	X		
Tisztítsa ki a légszűrőt	X		
Ellenőrizze a vágószerkezetet	X		
Ellenőrizze a vágóburkolatot*	X		
Ellenőrizze a fékkart*	X		
Ellenőrizze a hangfógót*		X	
Ellenőrizze a gyújtógyertyát		X	
Ellenőrizze a hajtó ékszíj épségét			X
Tisztítsa ki a sebváltóházat			X
Cserélje ki az olajat (először 5 óra használat után, majd minden 25 óra használat után és évente)			X
Cserélje ki a levegőszűrőt			X
Ellenőrizze az üzemanyagrendszert			X
Ellenőrizze és állítsa be a hajtást (tengelykapcsoló vezeték)			X

Általános ellenőrzés

- Ellenőrizze, hogy az anyag és csavarok megfelelően meg vannak-e szorítva a terméken.

A termék külső tisztítása

- Kefével távolítsa el a leveleket, a fűvet és az egyéb szennyeződések.
- Győződjön meg róla, hogy a motor tetején levő levegőbeömlő nyílás nincs eltömődve.
- Ne használjon nagynyomású mosót a termék tisztításához.
- Ha vízzel tisztítja a terméket, ne irányítsa a vízugarat közvetlenül a motorra.

A vágóburkolat belső felületének tisztítása

- Fordítsa a terméket az oldalára a hangfógóval lefelé.



VIGYÁZAT: Ha a terméket a légszűrővel lefelé fordítva állítja, a motor károsodhat.

- Mossa le vízzel a vágóburkolat belső felületét.

A hajtó ékszij ellenőrzése és a sebváltóház tisztítása

1. Távolítsa el a hajtó ékszij 4 csavarját, és emelje le a szíjvédőt. (ábra 26)
2. Ellenőrizze a hajtó ékszij és az ékszijtárcsa épségét.
3. Távolítsa el a leveleket, fűvet és piszkot a hajtóműházból egy kefével. (ábra 27)

A hajtó ékszij cseréje és beállítása

1. Távolítsa el a hajtó ékszij 4 csavarját, és emelje le a szíjvédőt. (ábra 26)
2. Illesszen egy laposfejű csavarhúzóat a termék jobb első kerekén lévő keréktárcsa és a kerék közé.
3. Óvatosan csavarja el a csavarhúzóat a keréktárcsa eltávolításához.
4. Távolítsa el a kerékcsavart, és vegye le a kereket. (ábra 28)
5. Vegye le a hajtó ékszijat az ékszijtárcsáról.
6. Ellenőrizze, hogy az ékszijtárcsák könnyedén mozognak-e a tengelyen.
7. Szükség esetén permetezzen penetráló olajat az ékszijtárcsák közé és mögé, és kenje meg a tengelyt.
8. Helyezzen fel egy új hajtó ékszijat, és a beállítás előtt ellenőrizze, hogy megfelelően illeszkedik-e a golyóscsapágyhoz. (ábra 29)
9. A hajtó ékszij beállításához mozgassa a golyóscsapágyat felfelé vagy lefelé. (ábra 30)

Megjegyzés: Az új hajtó ékszij használat után megnyúlik. Néhány órányi működés után állítsa be újra a hajtó ékszijat.

10. Szerelje fel a szíjvédő burkolatot.
11. A termék beindításával győződjön meg arról, hogy a hajtó ékszij megfelelően van-e felhelyezve és beállítva.

A középső ékszij cseréje és beállítása

1. Vegye le a kést.

Megjegyzés: Ha csak a középső ékszij beállítását végzi el, ez a lépés nem szükséges.

2. Lazítsa meg a beállítócsavarokat néhány fordulattal, de ne távolítsa el őket. (ábra 31)
3. Cserélje ki a középső ékszijat, és némileg szorítsa meg a beállítócsavarokat.

Megjegyzés: Ha csak a középső ékszij beállítását végzi el, ez a lépés nem szükséges.

4. Tolja a sebváltót előre vagy hátra a középső ékszij beállításához. (ábra 32)

5. Ellenőrizze a középső ékszij feszességét egy rugós mérleg segítségével. A feszesség akkor megfelelő, ha az ékszij közepén el tud mozdulni 6–10 mm-re. Ez 3 kg-os húzásnak felel meg. (ábra 33)
6. Húzza meg teljesen a beállítócsavarokat 3 Nm nyomatékkal.
7. A termék beindításával győződjön meg arról, hogy a hajtó ékszij megfelelően van-e felhelyezve és beállítva.

A vágószerkezet ellenőrzése



FIGYELMEZTETÉS: A termék véletlen elindítását elkerülendő, húzza ki a gyújtáskábel a gyújtógyertyából.



FIGYELMEZTETÉS: A vágószerkezet karbantartásakor használjon védőkesztyűt. A kés nagyon éles, könnyen megvághatja magát.

1. Ellenőrizze a vágószerkezetet sérülés, repedés szempontjából. Mindig cserélje ki a sérült vágószerkezetet.
2. Nézze meg a kést, hogy sérült-e vagy tompa-e.

Megjegyzés: A kés élezését követően ki kell egyensúlyozni. Végeztesse a kés élezését, cseréjét és kiegyensúlyozását szervizközponttal. Ha olyan akadályba ütközött, amely megállította a terméket, cserélje ki a sérült kést. Vizsgáltassa meg a szervizközpontban, hogy élezhető-e a kés, vagy pedig cserét igényel-e.

A kés cseréje

1. Rögzítse a kést egy fadarabbal. (ábra 34)
2. Távolítsa el a késtartó csavart, a rugós alátétet és a kést. (ábra 35)
3. Ellenőrizze, hogy a késtámasz és a késtartó csavar nem sérült-e meg.
 - a) A kés vagy a késtámasz cseréje esetén a késtartó csavart, a rugós alátétet és a súrlódótárcsát is ki kell cserélni.
4. Ellenőrizze a motor tengelyét, hogy nincs-e meghajolva.
5. Az új kés rögzítésekor ügyeljen arra, hogy a hajlított végek a vágóburkolat felé nézzenek. (ábra 36)
6. Helyezze a súrlódótárcsát és a kést a késtámaszhoz. (ábra 37)
7. Győződjön meg róla, hogy a kés igazodik-e a motortengely középpontjához. (ábra 38)
8. Rögzítse a kést egy fadarabbal. (ábra 39)
9. Helyezze fel a rugós alátétet, és húzza meg a csavart 80 Nm nyomatékkal. (ábra 40)

10. Forgassa meg a kést kézzel, és figyelje, hogy szabadon forog-e.



FIGYELMEZTETÉS:

Használjon védőkesztyűt. A kés nagyon éles, könnyen megvághatja magát.

11. Indítsa be a terméket, hogy tesztelje a kést. Ha a kés nincs megfelelően rögzítve, a termékben rezgés tapasztalható, vagy a vágási eredmény nem kielégítő.

Az olajsint ellenőrzése



VIGYÁZAT: Ha az olajsint túlságosan alacsony, kár keletkezhet a motorban.

Ellenőrizze az olajsintet, mielőtt elindítja a terméket.

1. Helyezze a terméket vízszintes talajra.
2. Zárja el az üzemanyagszelepet.
3. Vegye le az olajtartály sapkáját a rögzített nivópálcával együtt.
4. Törölje le a nivópálcáról az olajat.
5. Helyezze a nivópálcát az olajtartályba, de ne húzza meg az olajtartály sapkáját.
6. Vegye ki a nivópálcát.
7. Vizsgálja meg az olajsintet a nivópálcán.
8. Ha az olajsint alacsony, töltsse fel a tartályt motorolajjal, és ellenőrizze újra az olajsintet. Az olajsint akkor megfelelő, ha az olaj a nivópálca legfelső jelzéséig ér.

A motorolaj cseréje



FIGYELMEZTETÉS: A motorolaj rendkívül forró közvetlenül a motor leállítását követően. Várja meg, amíg lehűl a motor, mielőtt leereszti az olajat. Ha motorolaj kerül a bőrére, vízzel és szappannal mossa le.

1. Használja a terméket addig, amíg kiürül az üzemanyagtartály.
2. Húzza ki a gyújtáskábelt a gyújtógyertyából.
3. Vegye le az olajtartály sapkáját.
4. Tegyen egy tartályt a termék alá, hogy a motorolajat összegyűjtse.
5. Döntse meg a terméket, hogy az olajtartályból kifolyjon a motorolaj.
6. Töltse fel az olajtartályt a(z) *Műszaki adatok 153. oldal*on részben ajánlott típusú, új motorolajjal.
7. Ellenőrizze az olajsintet. Lásd: *Az olajsint ellenőrzése 152. oldal*on.

A levegőszűrő megtisztítása



VIGYÁZAT: Ne működtesse a motort levegőszűrő nélkül vagy piszkos levegőszűrővel.



VIGYÁZAT: Ha a levegőszűrő sérült vagy nem sikerül teljesen megtisztítani, cserélje ki. A hibás levegőszűrő károsíthatja a motort.

1. Nyomja le a reteszelőfüleket (A), majd távolítsa el a levegőszűrő fedelét (B) és a levegőszűrőt (C). (ábra 41)
2. Ütögesse a levegőszűrőt egy kemény felületnek, vagy fúvassa ki sűrített levegővel a szűrő tiszta oldala felől.



VIGYÁZAT: A szennyeződések eltávolításához ne használjon kefért, ezzel ugyanis benyomja a szennyeződések a levegőszűrőbe.

3. Tisztítsa meg a levegőszűrő-tartót (D) és a levegőszűrő fedelét egy nedves ruhával.



VIGYÁZAT: Ügyeljen arra, hogy ne kerüljön szennyeződés a légcsatornába (E).

4. Szerelje be a levegőszűrőt. Győződjön meg arról, hogy a szűrő szorosan illeszkedik a levegőszűrő-tartóba.
5. Helyezze fel a levegőszűrő fedelét, kezdve az alsó fülekkel.

A gyújtógyertya ellenőrzése.



VIGYÁZAT: Használja mindig az előírt típusú gyújtógyertyát. A nem megfelelő gyújtógyertya károsíthatja a terméket.

- Vizsgálja meg a gyújtógyertyát, ha gyenge a motor, nehezen indul, vagy egyenetlen az alapjárata.
- A gyújtógyertya elektródái közötti lerakódások kialakulásának csökkentése érdekében tartsa be az alábbi utasításokat:
 - a) gondoskodjon az alapjárati fordulatszám megfelelő beállításáról;
 - b) gondoskodjon a megfelelő üzemanyag-keverékről;
 - c) gondoskodjon a levegőszűrő tisztaságáról.
- Ha a gyújtógyertya piszkos, tisztítsa meg, és ellenőrizze, hogy a szikraköz megfelelő-e, lásd: *Műszaki adatok 153. oldal*on. (ábra 42)
- Szükség esetén cserélje ki a gyújtógyertyát.

Az üzemanyagrendszer ellenőrzése

- Vizsgálja meg az üzemanyagtartály sapkáját és a sapka tömítését, hogy ellenőrizze, nincs-e megsérülve.
- Vizsgálja meg az üzemanyag-vezetékét, hogy ellenőrizze, nincs-e szivárgás. Ha az üzemanyag-vezeték sérült, cseréltesse ki egy szervizműhellyel.

A tengelykapcsoló bovden beállítása

Ha a hajtás lassúnak tűnik, akkor be kell állítani a tengelykapcsoló bovden.

- Fordítsa el a beállítócsavart. (ábra 43)

A tengelykapcsoló bovden beállítása akkor megfelelő, ha a bovden rögzítője az anyacsavarhoz igazodik.

(ábra 44)

Szállítás, tárolás és ártalmatlanítás

Szállítás és raktározás

- A termék és az üzemanyag tárolásához és szállításához győződjön meg róla, hogy nincsenek szivárgások vagy gőzök. Szikra vagy nyílt láng, például elektromos készülékektől vagy kazánoktól, tüzet okozhat.
- Mindig engedélyezett tartályokat használjon az üzemanyag tárolására és szállítására.
- Ha a terméket hosszabb ideig tárolja, üritse ki az üzemanyagtartályt. A felesleges üzemanyagot adja le egy erre kijelölt gyűjtőponton.
- Biztonságosan rögzítse a terméket szállítás során, a sérülés és baleset elkerülése érdekében.
- Tartsa a terméket zárható helyen, ahol gyermek vagy jogosulatlan személy nem férhet hozzá.

- Tartsa a terméket száraz és fagymentes helyen.

Hulladékkezelés

- Kövesse a helyi újrahasznosítási előírásokat és a vonatkozó szabályozásokat.
- A használt vagy felesleges vegyi anyagot, például a motorolajat vagy az üzemanyagot, adja le egy szervizközpontban vagy egy erre kijelölt gyűjtőponton.
- A már nem használt terméket, küldje vissza a Husqvarna kereskedőhöz, vagy adja le egy újrahasznosítási ponton.

Műszaki adatok

Műszaki adatok

	KLIPPO LB 448S	KLIPPO LB 453S	KLIPPO LB 548S e
Motor			
Márka	Honda	Honda	Honda
Lökettérfogat, cm ³	145	166	166
Fordulatszám, ford./perc	2900	2900	2900
Névleges motorteljesítmény, kW ⁵⁶	2,7	3,3	3,3
Gyújtásrendszer			
Gyújtógyertya	NGK BPR5ES	NGK BPR5ES	NGK BPR5ES
Elektródahézag, mm	0,7-0,8	0,7-0,8	0,7-0,8

⁵⁶ A motor feltüntetett névleges teljesítménye az adott motormodell tipikus legyártott motorjának a J1349/ISO1585 sz. SAE-szabvány szerint mért átlagos nettó teljesítménye (a megadott fordulatszám mellett). A sorozatgyártott motorok esetén ez az érték eltérő lehet. A végső termékbe épített motor tényleges leadott teljesítménye az üzemi fordulatszámtól, a környezeti körülményektől és egyéb értékektől függ.

	KLIPPO LB 448S	KLIPPO LB 453S	KLIPPO LB 548S e
Üzemanyag- és olajozási rendszer			
Üzemanyagtartály űrtartalma, liter	0,9	0,9	0,9
Olajtartály űrtartalma, liter	0,55	0,5	0,55
Motorolaj ⁵⁷	SAE 10W-30	SAE 10W-30	SAE 10W-30
Tömeg			
Üres tartályokkal, kg	30,5	33	32,5
Zajkibocsátás ⁵⁸			
Hangteljesítményszint, mért dB (A) érték	90	91	90
Hangteljesítményszint, garantált, L _{WA} dB (A)	91	94	91
Zajszintek ⁵⁹			
Hangnyomásszint a felhasználó fülénél, dB (A)	77	78	78
Rezgésszintek, a_{hveq} ⁶⁰			
Fogantyú, m/s ²	4,5	5,3	4,8
Vágószerkezet			
Vágási magasság, mm	30-60	30-60	30-60
Vágószélesség, mm	480	530	480
Kés	Mulcsozó - 48 cm 5028813-10	Mulcsozó - 53 cm 5028814-10	Mulcsozó - 48 cm 5028813-10
Követési			
Sebesség, km/óra	4,5	4,5	4,5

⁵⁷ SG-SH minőségű motorolajat használjon. Tekintse meg a viszkozitási táblázatot a motor gyártójának kézikönyvében, és válassza a várható kinti hőmérsékletnek leginkább megfelelő viszkozitást.

⁵⁸ A környezetben a 2000/14/EK sz. EK irányelvvel összhangban hangteljesítményként mért zajkibocsátás (L_{WA}).

⁵⁹ Hangnyomásszint az ISO 5395 szabvány szerint. A zajnyomásszintre vonatkozó jelentési adatok az 1,2 dB (A) tipikus statisztikus ingadozásával (szórásával) rendelkeznek.

⁶⁰ Rezgésszint az ISO 5395 szabvány szerint. A rezgésszintre vonatkozó jelentési adatok 0,2 m/s² tipikus statisztikai ingadozással (szórással) rendelkeznek.

EK megfeleléségi nyilatkozat

EK megfeleléségi nyilatkozat

A **Husqvarna AB**, SE-561 82 Huskvarna, Svédország, tel: +46-36-146500, kijelenti, hogy a **Husqvarna KLIPPO LB 448S, KLIPPO LB 453S, KLIPPO LB 548S e fűnyírók** a 2020xxxxxxx sorozatszámokkal kezdődően megfelelnek az EGK TANÁCSA következő IRÁNYELVEINEK:

- a 2006. május 17-i, „gépekre vonatkozó” irányelv **2006/42/EK**
- a 2014. február 26-i, „elektromágneses megfeleléssel kapcsolatos” irányelv **2014/30/EU**
- a 2000. május 8-i, „környezeti zajkibocsátással kapcsolatos” irányelv **2000/14/EK**
- a 2011. június 8-i, „az egyes veszélyes anyagok elektromos és elektronikus berendezésekben való alkalmazásának korlátozására” vonatkozó irányelv **2011/65/EU**

A zajkibocsátásra vonatkozó tájékoztatást lásd a Műszaki adatok című fejezetben.

A következő szabványok kerültek alkalmazásra:

EN ISO 5395-1, EN ISO 5395-2, EN ISO 5395-2 Amd1, EN ISO 5395-2 Amd 2, EN 55012, EN 50581:2012

Eltérő rendelkezés hiányában a fenti szabványok a legutóbb közzétett verziókat jelölik.

Bejelentett tanúsítási szervezet: **0404, RISE SMP Svensk Maskinprovning AB, Box 7035, SE-750 07 Uppsala** az EGK TANÁCSA 2000. május 8-i, a környezet zajszenyezésével foglalkozó, 2000/14/EK sz. IRÁNYELVÉNEK VI. melléklete értelmében megfeleléséértékelési jelentéseket adott ki.

Huskvarna, 2020-09-16



Claes Losdal, Fejlesztési Igazgató/Kertművelési termékek (a Husqvarna AB hivatalos képviselője és a műszaki dokumentációk felelőse)

Sommario

Introduzione.....	156	Manutenzione.....	162
Sicurezza.....	157	Trasporto, stoccaggio e smaltimento.....	165
Montaggio.....	160	Dati tecnici.....	166
Utilizzo.....	161	Dichiarazione di conformità CE.....	168

Introduzione

Descrizione del prodotto

Il prodotto è un rasaerba rotativo con operatore a piedi che utilizza BioClip® per tagliare l'erba da utilizzare come fertilizzante.

Illustrazione del prodotto

(Fig. 1)

1. Impugnatura / manubrio
2. Impugnatura del freno motore
3. Leva della trazione
4. Impugnatura cavo di avviamento
5. Tappo dell'olio
6. Carter della cinghia
7. Marmitta
8. Candela
9. Carter della cinghia
10. Serbatoio del carburante
11. Leva per la regolazione dell'angolazione dell'impugnatura
12. Sistema di smorzamento delle vibrazioni
13. Regolazione del cavo della frizione
14. Impugnatura inferiore
15. Leva altezza di taglio
16. Valvola del carburante
17. Filtro dell'aria
18. Coperchio di taglio
19. Rondella elastica
20. Bullone lama
21. Lama
22. Supporto lama
23. Tappo per mulching (KLIPPO LB 448S, KLIPPO LB 548S e)
24. Manuale operatore

Simboli riportati sul prodotto

(Fig. 2) **AVVERTENZA:** L'uso improprio del mezzo può provocare lesioni anche mortali all'operatore o a terzi.

(Fig. 3) Prima dell'uso, leggere per intero il manuale dell'operatore e accertarsi di aver compreso le istruzioni.

Uso previsto

Utilizzare il prodotto per tagliare l'erba. Non utilizzare il prodotto per altre attività.

(Fig. 4) Prestare attenzione a oggetti lanciati o rimbalzati.

(Fig. 5) Mantenere le persone e gli animali a una distanza di sicurezza dalla zona di lavoro.

(Fig. 6) Arrestare il motore e rimuovere il cavo di accensione prima di effettuare interventi di riparazione o manutenzione.

(Fig. 7) **Avvertenza:** Tenere le mani e i piedi lontani dalle parti rotanti.

(Fig. 8) **Avvertenza:** Tenere mani e piedi lontani dalla lama rotante.

(Fig. 9) Il presente prodotto è conforme alle vigenti direttive CEE.

(Fig. 10) Emissioni di rumore nell'ambiente in conformità alla Direttiva Europea 2000/14/CE e alla norma del Nuovo Galles del Sud in materia di protezione dell'ambiente "Protection of the Environment Operations (Noise Control) Regulation 2017". I dati sulle emissioni di rumore sono riportati sull'etichetta della macchina e nel capitolo Dati tecnici,

(Fig. 11) Codice scansionabile.

Nota: Altri simboli o decalcomanie sul prodotto riguardano particolari requisiti necessari per la certificazione in determinate aree commerciali.

Decalcomania sul prodotto, solo per Australia e Nuova Zelanda

(Fig. 12)

Tenere mani e piedi lontani dalla lama rotante.

Emissioni Euro V



AVVERTENZA: La manomissione del motore rende nulla l'omologazione UE del prodotto.

Responsabilità del prodotto

Come indicato nelle leggi vigenti in materia di responsabilità obbligatoria sul prodotto, non siamo

responsabili per eventuali danni causati dal nostro prodotto se:

- Il prodotto viene riparato in modo errato.
- Il prodotto viene riparato con parti che non provengono o non sono omologate dal produttore.
- Il prodotto contiene un accessorio che non proviene o non è omologato dal produttore.
- Il prodotto non viene riparato presso un centro di assistenza autorizzato o presso un'autorità competente.

Sicurezza

Definizioni di sicurezza

Le avvertenze, le precauzioni e le note sono utilizzate per evidenziare le parti importanti del manuale.



AVVERTENZA: Utilizzato se è presente un rischio di lesioni o morte dell'operatore o di passanti nel caso in cui le istruzioni del manuale non vengano rispettate.



ATTENZIONE: Utilizzato se è presente un rischio di danni al prodotto, ad altri materiali oppure alla zona adiacente nel caso in cui le istruzioni del manuale non vengano rispettate.

Nota: Utilizzato per fornire ulteriori informazioni necessarie in una determinata situazione.

Istruzioni di sicurezza generali



AVVERTENZA: Leggere le seguenti avvertenze prima di utilizzare il prodotto.

- Questo prodotto è pericoloso se utilizzato in maniera impropria o se non si presta attenzione. La mancata osservanza delle istruzioni di sicurezza può causare lesioni anche fatali.
- Durante il funzionamento, questo prodotto genera un campo elettromagnetico. Tale campo può interferire, in alcuni casi, con persone portatrici di impianti medici attivi o passivi. Per ridurre il rischio di condizioni che possono implicare lesioni gravi o mortali, i portatori di tali impianti devono consultare il proprio medico e il produttore dell'impianto prima di utilizzare questo prodotto.

- Usare la massima cautela e il buon senso. Se non si è sicuri di come utilizzare il prodotto in una particolare situazione, fermarsi e rivolgersi al proprio rivenditore Husqvarna prima di continuare.
- Tenere presente che l'operatore potrà essere ritenuto responsabile di eventuali incidenti che coinvolgano altre persone o i loro beni.
- Tenere pulito il prodotto. Assicurarsi che sia possibile leggere chiaramente simboli e decalcomanie.
- Non consentire ad altre persone di utilizzare il prodotto se non si è sicuri che abbiano letto e compreso il contenuto del Manuale dell'operatore.
- Non consentire ai bambini di utilizzare il prodotto.
- Tenere i bambini lontani dall'area di lavoro. È necessaria sempre la supervisione di un adulto responsabile.
- Non permettere a chiunque non conosca le istruzioni di utilizzare il prodotto.
- Controllare sempre qualsiasi persona, dalle capacità fisiche o mentali ridotte, che utilizzi il prodotto. È necessaria sempre la supervisione di un adulto responsabile.
- Non utilizzare l'apparecchio quando si è stanchi, ammalati o sotto effetto di alcool, farmaci o medicinali. Essi potrebbero compromettere la vista, l'attenzione, il coordinamento e il giudizio.
- Se difettoso, non utilizzare il prodotto.
- Non modificare il prodotto né utilizzarlo nel caso in cui vi sia la possibilità che sia stato modificato da altri.
- Non modificare la regolazione per il controllo del regime motore.

Sicurezza dell'area di lavoro



AVVERTENZA: Leggere le seguenti avvertenze prima di utilizzare il prodotto.

- Rimuovere oggetti quali rami, ramoscelli o pietre dall'area di lavoro prima di utilizzare il prodotto.
- Gli oggetti che urtano contro l'attrezzatura di taglio potrebbero essere proiettati e causare danni a cose e persone. Mantenere persone e animali a una distanza di sicurezza dal prodotto.
- Non utilizzare mai il prodotto in condizioni meteorologiche avverse quali nebbia, pioggia, vento forte, freddo intenso e rischio di fulmini. L'uso del prodotto in condizioni meteorologiche avverse o in ambienti umidi è stancante. Condizioni meteorologiche avverse possono causare situazioni di pericolo quali superfici scivolose.
- Prestare attenzione a persone, cose e situazioni che possono impedire un utilizzo sicuro del prodotto.
- Prestare attenzione a ostacoli quali radici, pietre, ramoscelli, fossi e avvallamenti. L'erba alta può nascondere eventuali ostacoli.
- Tagliare l'erba in pendenza può risultare pericoloso. Non utilizzare il prodotto su terreni con pendenze superiori a 15°.
- Utilizzare il prodotto trasversalmente lungo i pendii. Non spostarsi seguendo tragitti verso l'alto e verso il basso.
- Prestare attenzione in prossimità di angoli e oggetti nascosti che potrebbero ostacolare la visuale.
- Non fissare l'impugnatura del freno motore in modo permanente al manubrio quando il motore è avviato.
- Posizionare il prodotto su una superficie piana e stabile e avviarlo. Assicurarsi che la lama non venga a contatto con il terreno o con altri oggetti.
- Collocarsi sempre posteriormente al prodotto quando lo si utilizza.
- Consentire a tutte le ruote di restare a contatto con il suolo e tenere le 2 mani sull'impugnatura mentre si aziona il prodotto. Tenere mani e piedi lontani dalle lame rotanti.
- Non ribaltare il prodotto a motore acceso.
- Prestare attenzione quando si tira il prodotto verso di sé.
- Non sollevare mai il prodotto a motore avviato. Se si deve sollevare il prodotto, arrestare innanzitutto il motore e scollegare il cavo di accensione dalla candela.
- Non camminare all'indietro quando si utilizza il prodotto.
- Arrestare il motore quando si attraversano zone prive d'erba quali vialetti in ghiaia, pietra e asfalto.
- Non correre con il prodotto quando il motore è acceso. Camminare sempre durante l'utilizzo del prodotto.
- Spegnerne il motore prima di apportare qualsiasi modifica all'altezza di taglio. Non effettuare mai regolazioni a motore acceso.
- Non perdere mai di vista il prodotto quando il motore è acceso. Arrestare il motore e assicurarsi che l'attrezzatura di taglio non giri.

Sicurezza sul lavoro



AVVERTENZA: Leggere le seguenti avvertenze prima di utilizzare il prodotto.

- Utilizzare il prodotto esclusivamente per tagliare il prato. Non è consentito utilizzare il prodotto per altri scopi.
- Usare sempre abbigliamento protettivo personale. Vedere *Abbigliamento protettivo personale alla pagina 158*.
- Assicurarsi di saper spegnere il motore rapidamente in caso di emergenza.
- Non avviare il motore in uno spazio chiuso o in prossimità di materiali infiammabili. I fumi di scarico del motore sono molto caldi e possono contenere scintille in grado di provocare incendi.
- Non azionare il prodotto senza prima aver montato correttamente la lama e tutti i coperchi. Una lama non correttamente fissata potrebbe allentarsi e causare lesioni personali.
- Assicurarsi che la lama non urti oggetti quali pietre e radici. Ciò potrebbe provocare danni alla lama e piegare l'albero motore. Un'asse piegato provoca forti vibrazioni e un alto rischio di allentamento della lama.
- Qualora la lama urti contro un oggetto o all'insorgere di vibrazioni arrestare immediatamente il prodotto. Staccare il cavo di accensione dalla candela. Verificare la presenza di eventuali danni al prodotto. Riparare eventuali danni o contattare un'officina autorizzata per far svolgere la riparazione.

Istruzioni di sicurezza per il funzionamento

Abbigliamento protettivo personale



AVVERTENZA: Leggere le seguenti avvertenze prima di utilizzare il prodotto.

- L'uso di abbigliamento protettivo personale non elimina il rischio di lesioni, ma ne riduce la gravità in caso di incidente. Farsi consigliare dal rivenditore per la scelta dell'attrezzatura adatta.
- Utilizzare protezioni per le orecchie se il livello di rumore è superiore a 85 dB.
- Utilizzare robusti stivali o scarpe antiscivolo. Non utilizzare il prodotto con calzature aperte o a piedi nudi.
- Utilizzare pantaloni lunghi di tessuto pesante.
- Indossare guanti protettivi ove necessario, ad esempio per montare, ispezionare o pulire l'attrezzatura di taglio.

Dispositivi di sicurezza sul prodotto

riscontrano generalmente nelle mani, nei polsi e alle dita.



AVVERTENZA: Leggere le seguenti avvertenze prima di utilizzare il prodotto.

- Non utilizzare un prodotto con dispositivi di sicurezza difettosi.
- Effettuare un controllo dei dispositivi di sicurezza con regolarità. Se i dispositivi di sicurezza sono difettosi, rivolgersi alla propria officina Husqvarna.

Controllo del coperchio di taglio

Il coperchio di taglio riduce le vibrazioni del prodotto e il rischio di ferirsi con la lama.

- Esaminare il coperchio di taglio per accertarsi che non presenti danni quali crepe.

Controllo del carter della cinghia

Il carter della cinghia riduce il rischio di lesioni e assicura che non si verifichi il lancio della cinghia di comando nel caso si rompa.

- Accertarsi che il carter della cinghia non presenti danni e che sia collegato correttamente. (Fig. 13)

Controllo del carter della cinghia

Il carter della cinghia riduce il rischio di lesioni e assicura che non si verifichi il lancio della cinghia di comando nel caso si rompa.

- Accertarsi che il carter della cinghia non presenti danni e che sia collegato correttamente. (Fig. 14)

Impugnatura del freno motore

L'impugnatura del freno motore arresta il motore. Quando si rilascia l'impugnatura del freno motore, il motore si arresta.

Per ispezionare il freno motore, avviare il motore e quindi rilasciare l'impugnatura del freno motore. Se il motore non si arresta entro 3 secondi, far regolare il freno motore presso un'officina Husqvarna autorizzata.

(Fig. 15)

Controllo del sistema di smorzamento delle vibrazioni



AVVERTENZA: La sovraesposizione alle vibrazioni può causare lesioni neuro-vascolari a chi soffre di cattiva circolazione. In caso di sintomi riferibili a sovraesposizione alle vibrazioni, contattare il medico. Tali sintomi possono essere torpore, perdita della sensibilità, punture, prurito, dolore, perdita della forza, decolorazione della pelle o modifiche strutturali della sua superficie. Tali sintomi si

Il sistema di smorzamento riduce le vibrazioni nell'impugnatura durante il funzionamento.

Il tubo di acciaio del manubrio e il coperchio di taglio riducono le vibrazioni. KLIPPO LB 548S e dispone anche di 4 elementi smorzatori collegati al manubrio.

- Esaminare il manubrio e gli elementi smorzatori delle vibrazioni per accertarsi che non vi siano danni. (Fig. 16)

Supporto lama

Il supporto della lama riduce il rischio che l'albero del motore si pieghi. Se la lama colpisce un oggetto, essa si sposta contro il supporto della lama. Il movimento provoca l'usura sulla superficie del supporto della lama. L'usura dimostra che la protezione dell'albero motore funziona correttamente.

Marmitta

La marmitta assicura il minimo livello acustico e allontana i fumi di scarico dall'operatore.

Non utilizzare il prodotto se la marmitta è mancante o difettosa. Una marmitta difettosa aumenta il livello acustico e il rischio di incendio.



AVVERTENZA: La marmitta si surriscalda durante e dopo l'uso e quando il motore funziona al regime minimo. Prestare attenzione in prossimità di materiali infiammabili e/o fumi per evitare incendi.

Controllo della marmitta

- Esaminare la marmitta periodicamente per assicurarsi che sia collegata correttamente e che non sia danneggiata.

Sicurezza nell'uso del carburante



AVVERTENZA: Leggere le seguenti avvertenze prima di utilizzare il prodotto.

- Non avviare il prodotto nel caso in cui vi sia carburante o olio motore su di esso. Rimuovere il carburante/olio indesiderato e lasciare che il prodotto si asciughi.
- In caso di perdite di carburante sugli indumenti, cambiarsi immediatamente.
- Il carburante non deve arrivare a contatto con il corpo, poiché può causare lesioni. In caso di contatto del carburante con il corpo, rimuoverlo con acqua e sapone.
- Non avviare il prodotto se il motore presenta una perdita. Esaminare regolarmente il motore per verificare la presenza di eventuali perdite.

- Prestare la massima attenzione con il carburante. Il carburante è infiammabile e i fumi sono esplosivi quindi possono causare lesioni o morte.
- Non respirare i fumi del carburante perché possono causare lesioni. Accertarsi che ci sia un flusso d'aria sufficiente.
- Non fumare in prossimità del carburante o del motore.
- Non posizionare oggetti caldi in prossimità del carburante o del motore.
- Non aggiungere carburante a motore acceso.
- Assicurarsi che il motore sia freddo prima di effettuare il rifornimento.
- Prima di effettuare il rifornimento, aprire lentamente il tappo del serbatoio del carburante e rilasciare la pressione con cautela.
- Non aggiungere carburante al motore in un ambiente chiuso. Un flusso d'aria insufficiente può causare lesioni o la morte dovute ad asfissia o al monossido di carbonio.
- Stringere completamente il tappo del serbatoio del carburante. Se il tappo del serbatoio carburante non è serrato, vi è il rischio di incendio.
- Prima dell'avviamento, spostare il prodotto di almeno 3 m/10 ft dal punto in cui è stato riempito il serbatoio del carburante.
- Non riempire completamente il serbatoio del carburante. Il calore provoca l'espansione del carburante. Lasciare dello spazio nella parte superiore del serbatoio del carburante.
- I fumi di scarico del motore contengono monossido di carbonio, un gas inodore, velenoso e altamente pericoloso. Non avviare il motore in ambienti o spazi chiusi.
- Prima di eseguire la manutenzione del prodotto, arrestare il motore e rimuovere il cavo di accensione dalla candela.
- Indossare guanti protettivi quando si esegue la manutenzione dell'attrezzatura di taglio. La lama è molto affilata e ci si può ferire facilmente.
- Accessori e modifiche apportate al prodotto che non siano stati approvati dal costruttore possono causare infortuni gravi, anche fatali. Non apportare modifiche al prodotto. Utilizzare sempre accessori approvati dal produttore.
- Se la manutenzione non viene eseguita correttamente e con regolarità, aumenta il rischio di lesioni personali e danni al prodotto.
- Eseguire esclusivamente gli interventi di manutenzione riportati nel presente manuale. Tutti gli altri interventi di manutenzione devono essere svolti da un'officina Husqvarna autorizzata.
- Rivolgersi a un'officina Husqvarna autorizzata per far svolgere regolarmente interventi di manutenzione sul prodotto.
- Sostituire le parti danneggiate, usurate o rotte.

Istruzioni di sicurezza per la manutenzione



AVVERTENZA: Leggere le seguenti avvertenze prima di utilizzare il prodotto.

Montaggio

Introduzione



AVVERTENZA: Prima di assemblare il prodotto, leggere e comprendere il capitolo sulla sicurezza.



AVVERTENZA: Rimuovere il cavo della candela dalla candela prima di assemblare il prodotto.

Montare e regolare le impugnature

1. Rimuovere il dado dell'impugnatura e la rondella dalla piastra sull'impugnatura superiore.
2. Posizionare l'impugnatura superiore al di sopra dell'impugnatura inferiore.



ATTENZIONE: Accertarsi che i fili non siano impigliati o non si siano danneggiati.

3. Fissare la rondella e il dado dell'impugnatura. (Fig. 17)
4. Ruotare l'impugnatura di lato in una posizione che assicuri il funzionamento ottimale quando si aziona il prodotto in prossimità di una parete. (Fig. 18)
5. Ruotare le ruote di regolazione sul telaio per regolare l'impugnatura in senso verticale. (Fig. 19)

Montaggio del tappo per mulching KLIPPO LB 448S, KLIPPO LB 548S e

1. Inclinare all'indietro il prodotto con la candela rivolta verso l'alto.

2. Inserire i perni del tappo per mulching nei fori dal lato interno del coperchio di taglio. (Fig. 20)

3. Fissare le viti del tappo per mulching dal lato esterno del coperchio di taglio. (Fig. 21)

Utilizzo

Introduzione



AVVERTENZA: Prima di utilizzare il prodotto, è necessario leggere e comprendere il capitolo relativo alla sicurezza.

Husqvarna Connect

Husqvarna Connect è un'app gratuita per i dispositivi mobili. L'app Husqvarna Connect fornisce funzioni estese per il prodotto Husqvarna:

- Informazioni aggiuntive sul prodotto.
- Dettagli, guida, parti del prodotto e manutenzione.

Primo utilizzo Husqvarna Connect

1. Scaricare l'app Husqvarna Connect sul proprio dispositivo mobile.
2. Registrarsi nell'app Husqvarna Connect.
3. Attenersi alle istruzioni dell'app Husqvarna Connect per collegare e registrare il prodotto.

Prima di utilizzare il prodotto

1. Leggere il Manuale dell'operatore con attenzione e accertarsi di averne compreso il contenuto.
2. Esaminare l'attrezzatura di taglio per assicurarsi che sia correttamente collegata e regolata. Vedere *Per controllare l'attrezzatura di taglio alla pagina 164*.
3. Riempire il serbatoio del carburante. Vedere *Per il rifornimento del carburante alla pagina 161*.
4. Riempire il serbatoio dell'olio ed effettuare il controllo del livello dell'olio. Vedere *Per eseguire il controllo del livello dell'olio alla pagina 164*.

Per il rifornimento del carburante

Se disponibile, utilizzare benzina alchilata/a basso livello di emissioni. Se non è disponibile benzina alchilata/a basso livello di emissioni, utilizzare una benzina senza piombo di buona qualità o una benzina contenente piombo con un numero di ottani non inferiore a 90.



ATTENZIONE: Non utilizzare mai benzina con un numero di ottani inferiore a 90 RON (87 AKI). Ciò può causare danni al prodotto.

1. Aprire lentamente il tappo del serbatoio del carburante per rilasciare la pressione.
2. Riempire lentamente il serbatoio con una tanica di carburante. Se si versa del carburante, rimuoverlo con un panno e lasciare asciugare eventuali residui.

3. Pulire l'area intorno al tappo del serbatoio del carburante.
4. Stringere completamente il tappo del serbatoio del carburante. Se il tappo del serbatoio carburante non è serrato, vi è il rischio di incendio.
5. Prima dell'avviamento, spostare il prodotto di almeno 3 m (10 ft) dal punto in cui è stato riempito il serbatoio del carburante.

Per impostare l'altezza di taglio

L'altezza di taglio può essere regolata su 6 diversi livelli.

1. Per aumentare l'altezza di taglio, spingere la leva dell'altezza di taglio in avanti.
2. Per diminuire l'altezza di taglio, spingere la leva dell'altezza di taglio all'indietro.



ATTENZIONE: Non impostare l'altezza di taglio troppo in basso. Se la superficie del prato non è piana, le lame possono urtare il terreno.

Per avviare il prodotto

1. Accertarsi che il cavo di accensione sia collegato alla candela.
2. Aprire la valvola del carburante. (Fig. 22)
3. Collocarsi dietro il prodotto.
4. Tenere l'impugnatura del freno motore contro il manubrio. (Fig. 23)
5. Tenere l'impugnatura della fune di avviamento con la mano destra.
6. Estrarre lentamente l'impugnatura della fune di avviamento fino a che non si avverte una leggera resistenza.
7. Tirare con forza per avviare il motore.



AVVERTENZA: Non avvolgere la fune di avviamento intorno alla mano.



ATTENZIONE: Non estendere completamente la fune di avviamento. Non lasciare andare l'impugnatura della fune di avviamento quando quest'ultima è estesa.

Per applicare trazione alle ruote

- Spingere verso il basso la leva della trazione. (Fig. 24)

- Prima di tirare il prodotto verso di sé, disinnestare la trazione e spingere il prodotto in avanti di circa 10cm.
- Rilasciare leggermente l'impugnatura del freno motore per disinnestare la trazione, ad esempio quando ci si avvicina a un ostacolo.
- Non tagliare più di $\frac{1}{3}$ dell'altezza dell'erba. Iniziare l'operazione di taglio impostando l'altezza di taglio su un livello alto. Esaminare il risultato e ridurre l'altezza di taglio al livello applicabile. Se l'erba è molto alta, procedere lentamente e tagliarla 2 volte, se necessario.
- Tagliare sempre in direzioni diverse per evitare il formarsi di strisce sul prato.

Arresto del prodotto

- Per arrestare solo la trazione, rilasciare leggermente l'impugnatura del freno motore.
- Per spegnere il motore, rilasciare completamente l'impugnatura del freno motore.
- Chiudere la valvola del carburante. (Fig. 25)

Per ottenere un buon risultato

- Utilizzare sempre una lama ben affilata. Una lama non tagliente fornisce un risultato irregolare e la superficie di taglio dell'erba ingiallisce. Una lama affilata inoltre consuma minore energia di una lama affilata.

Manutenzione

Introduzione



AVVERTENZA: Prima di svolgere la manutenzione, leggere e comprendere il capitolo relativo alla sicurezza.

Per tutti gli interventi di assistenza e riparazione sul prodotto, è necessaria una formazione specifica. La nostra azienda garantisce la disponibilità di personale qualificato per le riparazioni e l'assistenza. Se non avete acquistato il prodotto presso un rivenditore dotato di

officina, informatevi sull'ubicazione della più vicina officina autorizzata.

Programma di manutenzione

Gli intervalli di manutenzione sono calcolati sulla base di un uso quotidiano del prodotto. Gli intervalli cambiano se il prodotto non viene usato quotidianamente.

Per gli interventi di manutenzione contrassegnati con il simbolo *, vedere le istruzioni in *Dispositivi di sicurezza sul prodotto alla pagina 159*.

Manutenzione	Giornaliera	Una volta a settimana	Una volta al mese
Svolgere un'ispezione generale	X		
Controllare il livello dell'olio	X		
Pulire il prodotto	X		
Pulire il filtro dell'aria	X		
Controllare l'attrezzatura di taglio	X		
Controllare il coperchio di taglio*	X		
Controllare l'impugnatura del freno motore*	X		
Controllare la marmitta*		X	
Controllare la candela		X	
Esaminare la cinghia di trasmissione per verificare la presenza di eventuali danni			X
Pulire la scatola ingranaggi			X

Manutenzione	Giornaliera	Una volta a settimana	Una volta al mese
Cambiare l'olio (la prima volta dopo 5 ore, successivamente dopo ogni 25 ore di funzionamento e annualmente)			X
Sostituire il filtro dell'aria			X
Controllare il sistema di alimentazione			X
Controllare e regolare la trazione (cavo della frizione)			X

Ispezione generale

- Controllare che tutti i dadi e le viti del prodotto siano serrati correttamente.

Per pulire esternamente il prodotto

- Utilizzare una spazzola per rimuovere foglie, erba e sporcizia.
- Assicurarsi che la presa d'aria nella parte superiore del motore non sia ostruita.
- Non utilizzare una lancia ad alta pressione per pulire il prodotto.
- Se si utilizza dell'acqua per pulire il prodotto, non versare l'acqua direttamente sul motore.

Per pulire la superficie interna del coperchio di taglio

- Collocare il prodotto su un lato con la marmitta rivolta verso il basso.



ATTENZIONE: Se il prodotto è stato collocato con il filtro dell'aria rivolto verso il basso, il motore potrebbe danneggiarsi.

- Lavare la superficie interna del coperchio di taglio con acqua.

Analisi della cinghia di trasmissione e pulizia della scatola ingranaggi

- Rimuovere le 4 viti sul carter della cinghia e rimuovere il carter della cinghia. (Fig. 26)
- Esaminare la cinghia di trasmissione e la puleggia per rilevare eventuali danni.
- Usare una spazzola per togliere foglie, erba e sporco dalla scatola ingranaggi. (Fig. 27)

Sostituzione e regolazione della cinghia di trasmissione

- Rimuovere le 4 viti sul carter della cinghia e rimuovere il carter della cinghia. (Fig. 26)
- Inserite un cacciavite a testa piatta tra il coprimozzo e la ruota anteriore destra del prodotto.
- Girare il cacciavite per rimuovere con cautela il coprimozzo.

- Rimuovere il bullone della ruota e la ruota. (Fig. 28)
- Rimuovere la cinghia di trasmissione dalle pulegge della cinghia.
- Assicurarsi che le pulegge della cinghia si spostino con facilità sull'assale.
- Se è necessario, spruzzare dell'olio che penetri tra le pulegge e dietro di esse e lubrificare l'assale.
- Installare una nuova cinghia di trasmissione e collegarla correttamente al cuscinetto a sfera prima di regolare la cinghia di trasmissione. (Fig. 29)
- Spostare il cuscinetto a sfera verso l'alto o verso il basso per regolare la cinghia di trasmissione. (Fig. 30)

Nota: Una cinghia di trasmissione nuova diventa più lunga dopo l'utilizzo. Regolare la cinghia di trasmissione dopo alcune ore di funzionamento.

- Fissare il carter della cinghia.
- Azionare il prodotto per accertarsi che la cinghia di trasmissione sia correttamente montata e regolata.

Sostituzione e regolazione della cinghia centrale

- Rimuovere la lama.

Nota: Questa fase non è necessaria quando si regola solamente la cinghia centrale.

- Allentare le viti di regolazione di alcuni giri, ma non rimuoverle. (Fig. 31)
- Sostituire la cinghia centrale e serrare moderatamente le viti di regolazione.

Nota: Questa fase non è necessaria quando si regola solamente la cinghia centrale.

- Spostare la marcia in avanti o indietro per regolare la cinghia centrale. (Fig. 32)
- Utilizzare una scala di peso con gancio per valutare la tensione della cinghia centrale. La cinghia è alla tensione corretta quando si può spostare 6-10 mm centralmente. Ciò corrisponde a una trazione di 3 kg. (Fig. 33)
- Serrare le quattro viti di regolazione a una coppia di 3 Nm.

7. Azionare il prodotto per accertarsi che la cinghia di trasmissione sia correttamente montata e regolata.

Per controllare l'attrezzatura di taglio



AVVERTENZA: Per evitare l'avviamento accidentale del prodotto, rimuovere il cavo di accensione dalla candela.



AVVERTENZA: Indossare guanti protettivi quando si esegue la manutenzione dell'attrezzatura di taglio. La lama è molto affilata e ci si può ferire facilmente.

1. Controllare l'attrezzatura di taglio per individuare danni o crepe. Sostituire sempre l'attrezzatura di taglio danneggiata.
2. Osservare la lama per controllare che non sia danneggiata o usurata.

Nota: Dopo l'affilatura la lama deve essere bilanciata. Rivolgersi a un centro assistenza per l'affilatura, la sostituzione e il bilanciamento. Se si urta un ostacolo che provoca l'arresto del prodotto, sostituire la lama danneggiata. Il centro di assistenza può valutare se la lama può essere affilata o deve essere sostituita.

Per sostituire la lama

1. Bloccare la lama con un blocco di legno. (Fig. 34)
2. Rimuovere il bullone della lama, la rondella elastica e la lama. (Fig. 35)
3. Controllare il supporto e il bullone della lama per verificare che non vi siano danni.
 - a) Se si sostituisce la lama o il supporto della lama, sostituire anche il bullone, la rondella elastica e la rondella di attrito.
4. Esaminare l'albero motore per accertarsi che non sia piegato.
5. Quando si monta la nuova lama, assicurarsi che le estremità inclinate puntino in direzione del coperchio di taglio. (Fig. 36)
6. Far aderire la rondella di attrito e la lama al supporto della lama. (Fig. 37)
7. Assicurarsi che la lama si allinei con il centro dell'albero motore. (Fig. 38)
8. Bloccare la lama con un blocco di legno. (Fig. 39)
9. Montare la rondella elastica e serrare il bullone a una coppia di 80 Nm. (Fig. 40)
10. Girare manualmente la lama per verificare che possa ruotare liberamente.



AVVERTENZA: Usare guanti protettivi. La lama è molto affilata e ci si può ferire facilmente.

11. Avviare il prodotto per eseguire una prova della lama. Se la lama non è collegata correttamente, si verificano delle vibrazioni nel prodotto o il risultato del taglio è insoddisfacente.

Per eseguire il controllo del livello dell'olio



ATTENZIONE: Se il livello dell'olio è troppo basso si possono verificare danni al motore. Controllare il livello dell'olio prima di avviare il prodotto.

1. Posizionare il prodotto su un terreno in piano.
2. Chiudere la valvola del carburante.
3. Rimuovere il tappo del serbatoio dell'olio con l'annessa asta di livello.
4. Pulire l'olio dall'asta di livello.
5. Inserire l'asta nel serbatoio dell'olio ma non serrare il tappo del serbatoio dell'olio.
6. Rimuovere l'asta di livello.
7. Controllare il livello dell'olio sull'asta di livello.
8. Se il livello dell'olio è basso, rabboccare con olio motore ed eseguire nuovamente un controllo del livello dell'olio. Il livello dell'olio è corretto quando si trova alla tacca superiore dell'asta di livello.

Cambio dell'olio motore



AVVERTENZA: L'olio motore è molto caldo subito dopo lo spegnimento del motore. Lasciare che il motore si raffreddi prima di scaricare l'olio motore. Se si versa accidentalmente dell'olio motore sulla pelle, lavare con acqua e sapone.

1. Azionare il prodotto fino a quando il serbatoio carburante è vuoto.
2. Rimuovere il cavo di accensione dalla candela.
3. Rimuovere il tappo del serbatoio dell'olio.
4. Posizionare un recipiente sotto il prodotto per raccogliervi l'olio motore.
5. Inclinare il prodotto per scaricare l'olio motore dal serbatoio dell'olio.
6. Riempire con nuovo olio motore del tipo raccomandato in *Dati tecnici alla pagina 166*.
7. Eseguire il controllo del livello dell'olio. Vedere *Per eseguire il controllo del livello dell'olio alla pagina 164*.

Pulizia del filtro dell'aria.



ATTENZIONE: Non azionare il motore senza filtro dell'aria collegato o se il filtro dell'aria è ostruito.



ATTENZIONE: Sostituire il filtro dell'aria se non può essere completamente pulito o se è danneggiato. Un filtro dell'aria difettoso provoca danni al motore.

1. Spingere le linguette del dispositivo di chiusura (A), rimuovere il coperchio del filtro dell'aria (B) e rimuovere il filtro dell'aria (C). (Fig. 41)
2. Colpire il filtro dell'aria contro una superficie dura o soffiare l'aria compressa attraverso il filtro dell'aria dal lato pulito.



ATTENZIONE: Non utilizzare una spazzola per rimuovere la sporcizia in quanto quest'ultima potrebbe essere spinta nel filtro dell'aria.

3. Pulire il portafiltro dell'aria (D) e il coperchio del filtro dell'aria con un panno umido.



ATTENZIONE: Assicurarsi che non penetri sporcizia all'interno del condotto dell'aria (E).

4. Montare il filtro dell'aria. Assicurarsi che il filtro dell'aria sia correttamente a tenuta rispetto al portafiltro dell'aria.
5. Installare prima il coperchio del filtro dell'aria con le linguette inferiori.

Per esaminare la candela



ATTENZIONE: Usare candele originali o del tipo raccomandato. Un tipo di candela errato può danneggiare il prodotto.

- Controllare la candela nel caso in cui il motore giri a bassa potenza, risulti difficile da avviare o non funzioni correttamente al regime minimo.
- Per ridurre il rischio di accumulo di materiale superfluo sugli elettrodi delle candele, osservare le seguenti istruzioni:
 - a) Accertarsi che il regime minimo sia regolato correttamente.
 - b) Accertarsi che la miscela sia corretta.
 - c) Accertarsi che il filtro dell'aria sia pulito.
- Se la candela è incrostante, pulirla e controllare che la distanza tra gli elettrodi sia corretta; vedere *Dati tecnici alla pagina 166*. (Fig. 42)
- Sostituire la candela secondo necessità.

Per controllare il sistema di alimentazione

- Esaminare il tappo del serbatoio del carburante e la relativa guarnizione di tenuta per verificare che non vi siano danni.
- Esaminare il tubo pescante per accertarsi che non presenti perdite. Se il tubo pescante è danneggiato, farlo sostituire presso un'officina.

Per regolare il filo della frizione

Quando si avverte che il funzionamento dell'unità è rallentato, è necessario regolare il cavo della frizione.

- Girare le vite di regolazione. (Fig. 43)

Il filo della frizione è regolato in modo corretto quando la staffa del filo della frizione è allineata con il dado.

(Fig. 44)

Trasporto, stoccaggio e smaltimento

Trasporto e conservazione

- Per trasportare e conservare il prodotto e il carburante, accertarsi che non vi siano perdite o fumi. Scintille o fiamme aperte, provocate ad esempio da dispositivi elettrici o caldaie, possono innescare un incendio.
- Utilizzare sempre contenitori approvati per la conservazione e il trasporto del carburante.
- Svuotare il serbatoio del carburante prima di riporre il prodotto per un lungo periodo di tempo. Smaltire il carburante presso un apposito centro di smaltimento
- Fissare in sicurezza il prodotto durante il trasporto per evitare danni o incidenti.
- Conservare il prodotto in un'area chiusa a chiave per impedire l'accesso a bambini o persone non autorizzate.

- Conservare il prodotto in un luogo asciutto e al riparo dal gelo.

Smaltimento

- Rispettare le norme locali sul riciclaggio e le normative vigenti.
- Smaltire tutte le sostanze chimiche, quali olio motore o carburante, presso un centro assistenza o un centro di smaltimento applicabili.
- Quando il prodotto non è più in uso, inviarlo a un rivenditore Husqvarna o smaltirlo presso un impianto di riciclo.

Dati tecnici

Dati tecnici

	KLIPPO LB 448S	KLIPPO LB 453S	KLIPPO LB 548S e
Motore			
Marchio	Honda	Honda	Honda
Cilindrata, cm ³	145	166	166
Velocità, giri/min	2900	2900	2900
Potenza nominale motore, kW ⁶¹	2,7	3,3	3,3
Impianto di accensione			
Candela	NGK BPR5ES	NGK BPR5ES	NGK BPR5ES
Distanza tra gli elettrodi, mm	0,7-0,8	0,7-0,8	0,7-0,8
Carburante e sistema di lubrificazione			
Capacità serbatoio carburante, litri	0,9	0,9	0,9
Capacità serbatoio olio, litri	0,55	0,5	0,55
Olio motore ⁶²	SAE 10W-30	SAE 10W-30	SAE 10W-30
Peso			
Con serbatoi vuoti, kg	30,5	33	32,5
Emissioni di rumore ⁶³			
Livello acustico, misurato dB (A)	90	91	90
Livello acustico, garantito L _{WA} dB(A)	91	94	91
Livelli di rumorosità ⁶⁴			
Livello di pressione acustica all'orecchio dell'operatore, dB(A)	77	78	78
Livelli di vibrazioni, a_{hveq} ⁶⁵			
Impugnatura, m/s ²	4,5	5,3	4,8
Attrezzatura di taglio			

⁶¹ La potenza nominale del motore indicata corrisponde alla potenza netta media (al rapporto giri/min specificato) di un tipico motore in fase di produzione per il modello di motore misurato dalla normativa SAE J1349/ISO1585. I motori per produzione di massa potrebbero presentare un valore diverso da questo. La potenza effettiva del motore installato nel prodotto finale dipende dalla velocità di funzionamento, dalle condizioni ambientali e da altri valori.

⁶² Utilizzare olio motore di qualità SG-SH. Vedere la tabella delle viscosità presente nel manuale del costruttore del motore e selezionare la migliore viscosità in base alla temperatura esterna prevista.

⁶³ Emissioni di rumore nell'ambiente misurate come potenza sonora (L_{WA}) in base alla direttiva CE 2000/14/CE.

⁶⁴ Livello di pressione acustica in ottemperanza alla norma ISO 5395. I dati riportati per il livello di pressione acustica hanno una dispersione statistica tipica (deviazione standard) di 1,2 dB(A).

⁶⁵ Livello di vibrazioni in base alla norma ISO 5395. I dati riportati per il livello di vibrazioni presentano una dispersione statistica tipica (deviazione standard) di 0,2 m/s².

	KLIPPO LB 448S	KLIPPO LB 453S	KLIPPO LB 548S e
Altezza di taglio, mm	30-60	30-60	30-60
Larghezza di taglio, mm	480	530	480
Lama	Mulching - 48 cm 5028813-10	Mulching - 53 cm 5028814-10	Mulching - 48 cm 5028813-10
Trasmissione			
Velocità, km/h	4,5	4,5	4,5

Dichiarazione di conformità CE

Dichiarazione di conformità CE

Husqvarna AB, SE-561 82 Huskvarna, Svezia, tel.:
+46-36-146500, dichiara che i **rasaerba Husqvarna
KLIPPO LB 448S, KLIPPO LB 453S, KLIPPO LB 548S**
e a partire dai numeri di serie 2020xxxxxxx sono
conformi alle norme previste nelle seguenti DIRETTIVE
DEL CONSIGLIO:

- del 17 maggio 2006 "sulle macchine" **2006/42/CE**
- del 26 febbraio 2014 "sulla compatibilità
elettromagnetica" **2014/30/UE**
- dell'8 maggio 2000 "sulle emissioni di rumore
nell'ambiente" **2000/14/CE**
- dell'8 giugno 2011 sulla "restrizione dell'uso di
determinate sostanze pericolose nelle
apparecchiature elettriche ed elettroniche"
2011/65/UE.

Per informazioni sulle emissioni acustiche, consultare i
Dati tecnici.

Sono state applicate le seguenti norme:

**EN ISO 5395-1, EN ISO 5395-2, EN ISO 5395-2 Amd1,
EN ISO 5395-2 Amd 2, EN 55012, EN 50581:2012**

Se non diversamente specificato, le norme sopra
elencate sono le ultime versioni pubblicate.

Organo competente: **0404, RISE SMP Svensk
Maskinprovning AB, Box 7035, SE-750 07 Uppsala** ha
pubblicato rapporti relativi all'attestazione della
conformità in base all'allegato VI della DIRETTIVA DEL
CONSIGLIO dell'8 maggio 2000 "sull'emissione di
rumore nell'ambiente" 2000/14/CE.

Huskvarna, 2020-09-16



Claes Losdal, Responsabile sviluppo/Prodotti per il
giardino (rappresentante autorizzato per Husqvarna AB
e responsabile della documentazione tecnica)

目次

はじめに.....	169	メンテナンス.....	174
安全性.....	170	搬送、保管、廃棄.....	177
組立.....	173	主要諸元.....	178
Operation(動作).....	173	EC 適合宣言.....	180

はじめに

製品の説明

本製品は、BioClip® により刈った芝を堆肥化できる手押し式ロータリー芝刈機です。

製品の概要

(図 1)

1. ハンドル / ハンドルバー
2. エンジンブレーキハンドル
3. ドライブレバー
4. スターターロープハンドル
5. オイルキャップ
6. ベルトガード
7. マフラー
8. スパークプラグ
9. ベルトガード
10. 燃料タンク
11. ハンドルの角度調整レバー
12. 防振装置
13. クラッチワイヤーの調整
14. 下部ハンドル
15. 刈高調整レバー
16. 燃料バルブ
17. エアフィルター
18. カuttingカバ
19. スプリングワッシャー
20. ブレードボルト
21. ブレード
22. ブレードサポート
23. マルチプラグ (KLIPPO LB 448S、KLIPPO LB 548S e)
24. 取扱説明書

製品に表記されるシンボルマーク

- (図 2) 警告：不注意な取り扱いや誤った取り扱いは作業者や周囲の人などに傷害を与え、時には致命的な傷害を引き起こすことがあります。
- (図 3) この取扱説明書をよくお読みになり、内容をしっかりと把握したうえで、使用してください。

用途

本製品は芝刈り用です。他の作業に本製品を使用しないでください。

- (図 4) 飛び散ったり跳ね返ったりする物体に気を付けてください。
- (図 5) 作業領域と人や動物の間に安全な距離を保ってください。
- (図 6) 修理やメンテナンスを行う前に、エンジンを切り、イグニッションケーブルを外してください。
- (図 7) 警告：回転部品に手や足を近づけないでください。
- (図 8) 警告：回転しているブレードに手や足を近づけないでください。
- (図 9) この製品は EC 規格適合製品です。
- (図 10) 環境に対する騒音レベルは EC 指令 2000/14/EC およびニューサウスウェールズの法規「Protection of the Environment Operations (Noise Control) Regulation 2017」に準拠しています。騒音排出データは、本機のステッカーと主要諸元の章に記載されています。
- (図 11) スキャン用のコード

注記： 本製品に付いている他のシンボル / 銘板は、一部の商業地域に向けた認定条件を示します。

ステッカー(オーストラリアおよびニュージーランド向け製品のみ)

- (図 12) 回転しているブレードに手や足を近づけないでください。

ユーロ V 排出規制



警告： エンジンを改造すると、この製品の EC 型式認証が無効になります。

製造物責任

製造物責任法に基づき、当社は、次の場合については本製品を原因とする損傷について責任を負いません。

- 本製品が誤って修理された場合。
- メーカーによるものではない部品、またはメーカーの認可していない部品を使用して本製品を修理した場合。
- メーカーによるものではないアクセサリ、またはメーカーの認可していないアクセサリを本製品に使用した場合。
- 認定サービスセンターまたは認定機関で本製品が修理されていない場合。

安全性

安全性の定義

警告、注意、注記は、取扱説明書の特に重要な部分を示しています。



警告： 取扱説明書の指示に従わない場合、使用者が負傷したり、死亡したりするか、あるいは付近の人に損傷を与える危険があることを意味します。



注意： 取扱説明書の指示に従わない場合、製品や他の物品、または隣接するエリアに損傷を与える危険があることを意味します。

注記： 特定の状況で必要とされる詳細情報を提供するために使用されます。

- 子供を作業エリアに近づけないでください。責任を有する大人が常にそばにいる必要があります。
- 指示を理解していない人に本製品を操作させないでください。
- 身体的、精神的にハンデを負った人が本製品を使用する場合は常に監視してください。責任を有する大人が常にそばにいる必要があります。
- 疲労時、疾病時、アルコールや医薬品の影響が残っているときは、本製品を使用しないでください。視力、注意力、動作、判断力に悪影響を与えます。
- 本製品に不具合がある場合は使用しないでください。
- 本製品を改造しないでください。また、本製品が改造されている可能性がある場合は使用しないでください。
- エンジンの速度制御の調整を変更しないでください。

一般的な安全注意事項



警告： 本製品を使用する前に、以下の警告指示をお読みください。

- 本製品は、慎重かつ適切に使用しないと、危険な道具となります。安全注意事項に従わないと、負傷や死亡事故が発生するおそれがあります。
- 本製品では、運転中に電磁場が発生します。この電磁場は、ある条件下でアクティブ、またはパッシブな医療用インプラントに影響を及ぼすことがあります。深刻な傷害または致命傷の危険を避けるため、医療用インプラントを使用している方は、本製品を使用する前に主治医および医療用インプラントの製造元に相談することをお勧めします。
- 常に常識に基づいて注意して使用してください。特殊な状況での本製品の操作方法がわからない場合、作業を続ける前に本製品を停止して、Husqvarna 販売店までご連絡ください。
- 第三者やその所有物が事故に関係する場合、その責任は、作業者にあることを忘れないでください。
- 本製品は清潔に保ってください。標識やラベルがはっきりと読み取れるようにしてください。
- 取扱説明書を読んで内容を理解した人のみ本製品を使用させてください。
- 子供に本製品を操作させないでください。



警告： 本製品を使用する前に、以下の警告指示をお読みください。

- 本製品を使用する前に、大小の枝や石などの物体を作業範囲から取り除いてください。
- カッティング装置にぶつかった物体がはじかれて、人が怪我をしたり物が損傷したりするおそれがあります。本製品から周囲の人や動物との安全な距離を保ってください。
- 霧、雨、強風、極寒、雷の危険などの悪天候下で本製品を使用しないでください。悪天候下や、湿気のある場所、濡れた場所で本製品を使用すると疲労します。悪天候の場合、路面が滑りやすくなるなど、危険な状態を引き起こすことがあります。
- 製品の安全な操作を妨げる可能性がある人、物、状況に注意してください。
- 根、石、小枝、窪み、溝などの障害物に注意してください。長い芝の中に障害物が隠れていることがあります。
- 斜面で芝を刈ることは危険を伴います。15 度を超える斜面では、本製品を使用しないでください。
- 斜面を横切りながら本製品を操作してください。上下に移動しないでください。

- ・ 陰になった隅や視界を遮るものに近づくときは気を付けてください。

安全な作業



警告： 本製品を使用する前に、以下の警告指示をお読みください。

- ・ 本製品は芝生刈りにのみ使用してください。他の作業には使用できません。
- ・ 身体保護具を使用してください。使用者の身体保護具 171 ページを参照してください。
- ・ 緊急時にエンジンをすばやく停止する方法を必ず確認してください。
- ・ 閉鎖された空間または可燃性物質の近くでエンジンを始動しないでください。エンジンの排気ガスは高温で火花を含むことがあり、火災発生の原因となります。
- ・ ブレードやすべてのカバーを適切に装着してから本製品を始動させてください。ブレードが適切に装着されていないと、緩んで、怪我をすることがあります。
- ・ ブレードが石や根などの物体にぶつからないように気を付けてください。ブレードが損傷したり、エンジンシャフトが曲がったりするおそれがあります。シャフトが曲がると振動が激しくなり、ブレードが緩む危険性が非常に高くなります。
- ・ ブレードが物に当たったり振動が発生したりした場合は、すぐに本製品を停止してください。スパークプラグからイグニッションケーブルを外してください。製品に損傷がないか点検します。損傷部を修復するか、正規サービス代理店に修理を依頼してください。
- ・ エンジンの始動時は、エンジンブレーキハンドルをハンドルに完全に固定しないでください。
- ・ 製品を平らで安定した面に置き、始動します。ブレードが地面やその他の物に触れないよう、注意してください。
- ・ 本製品の操作時は、必ず製品の後ろに立ってください。
- ・ 製品を操作するときは、すべてのホイールを地面につけ、両手でハンドルをつかんで操作してください。回転しているブレードに手や足を近づけないでください。
- ・ エンジンの作動中は、本製品を傾けないでください。
- ・ 製品を後方に引くときは注意してください。
- ・ エンジンの作動中は、本製品を持ち上げないでください。エンジンを持ち上げる必要がある場合は、最初にエンジンを停止し、スパークプラグからイグニッションケーブルを取り外してください。
- ・ 本製品を操作するときは、後ろ向きに歩かないでください。
- ・ 砂利、石、アスファルトなど、芝面以外の領域を横切るときは、エンジンを停止してください。
- ・ エンジンの作動中は、本製品を操作しながら走らないでください。製品を操作するときは、必ず歩いてください。

- ・ 刈高を変更する場合は、まずエンジンを停止してください。エンジンが作動している状態での調整は決して行わないでください。
- ・ エンジンが作動している状態で、見えない場所に製品を放置しないでください。エンジンを停止し、カッティング装置が回転していないことを確認してください。

操作のための安全注意事項

使用者の身体保護具



警告： 本製品を使用する前に、以下の警告指示をお読みください。

- ・ 身体保護具で怪我を完全に防止できるわけではありませんが、万が一事故が起こった場合、負傷の度合いを軽減することができます。適切な保護具の選択については、販売店にご相談ください。
- ・ 騒音レベルが 85 dB を超える場合は、イヤマフを使用してください。
- ・ 丈夫で滑りやすいブーツや靴を着用してください。開放部の多い靴を使用したり、裸足で作業を行ったりしないでください。
- ・ 厚手の長ズボンを着用してください。
- ・ カッティング装置の取り付け、点検、清掃を行う場合は、必要に応じて保護グローブを着用してください。

本製品の安全装置



警告： 本製品を使用する前に、以下の警告指示を読んでください。

- ・ 安全装置に欠陥のある製品は使用しないでください。
- ・ 安全装置は定期的に点検してください。安全装置に欠陥がある場合は、Husqvarna サービス代理店にご相談ください。

カッティングカバーの点検方法

カッティングカバーは、本製品の振動を抑え、ブレードで負傷する危険性を低減します。

- ・ カッティングカバーを点検して、亀裂などの損傷がないことを確認してください。

ベルトガードの点検

ベルトガードは、負傷の危険性を低減し、損傷したドライブベルトが飛び出すことを防止します。

- ・ ベルトガードに損傷がなく、正しく取り付けられていることを確認します。(図 13)

ベルトガードの点検

ベルトガードは、負傷の危険性を低減し、損傷したドライブベルトが飛び出すことを防止します。

- ベルトガードに損傷がなく、正しく取り付けられていることを確認します。(図 14)

エンジンプレーキハンドル

エンジンプレーキハンドルは、エンジンを停止させるためのものです。エンジンプレーキハンドルを放すと、エンジンが停止します。

エンジンプレーキを点検するには、エンジンを始動してから、エンジンプレーキハンドルを放します。エンジンが3秒で停止しない場合は、Husqvarnaの認証サービスマンにエンジンプレーキの調整を依頼してください。

(図 15)

防振装置の点検



警告： 血液の循環が悪い人が振動を長期間受け続けると、循環器障害や神経障害を引き起こすおそれがあります。過度の振動を受けたために症状が現れた場合は、医師の診断を受けてください。症状にはしびれ、感覚まひ、うずき、ちくちくする痛み、刺すような痛み、力が入らない、皮膚の色や状態の変化などがあります。これらの症状は通常、指や手の甲、手首に現れます。

防振装置は、使用中のハンドルの振動を軽減します。

ハンドルバーとカッピングカバーのスチールチューブが振動を軽減します。KLIPPO LB 548S e の場合は、ハンドルバーに4つの防振ユニットが取り付けられています。

- ハンドルバーと防振ユニットを点検して、損傷がないことを確認します。(図 16)

ブレードサポート

ブレードサポートは、エンジンシフトが曲がるリスクを低減します。ブレードが物体に当たった場合、ブレードはブレードサポートの方に動きます。この動きにより、ブレードサポートの表面が摩耗します。摩耗は、エンジンシャフトの保護が正しく機能していることを示します。

マフラー

マフラーは騒音レベルを最小限に抑え、排気ガスを作業者から遠ざける働きをします。

マフラーがない場合や損傷がある場合は、製品を使用しないでください。マフラーに損傷があると、騒音レベルと火災発生の危険が増加します。



警告： 使用中、使用直後およびエンジンがアイドリング速度で稼働しているときはマフラーが高温になります。可燃性の材料やガスの近くでは火災に注意してください。

マフラーの点検方法

- マフラーを定期的に点検して、正しく取り付けられているか、損傷していないかを確認してください。

燃料の安全について



警告： 本製品を使用する前に、以下の警告指示をお読みください。

- 本製品に燃料やエンジンオイルが付着している場合は始動しないでください。不要な燃料やオイルを本製品から除去し、乾かしてください。
- 衣服にガソリンをこぼした場合は、すぐに着替えてください。
- 燃料が身体に付着しないようにしてください。負傷する場合があります。身体に燃料が付着した場合は、石鹸と水を使用して燃料を洗い流してください。
- エンジンに漏れがある場合は、本製品を始動しないでください。エンジンに漏れがないかどうかは定期的に点検してください。
- 燃料に注意してください。燃料は可燃性で蒸気には爆発性があるため、負傷や死亡に至ることがあります。
- 燃料の蒸気を吸引しないでください。負傷の原因になることがあります。十分な空気の流れを確保してください。
- 燃料やエンジンのそばで喫煙しないでください。
- 燃料やエンジンのそばに温かい物を置かないでください。
- エンジンの稼働中は、燃料を補充しないでください。
- 燃料の補充は、エンジンが冷えてからにしてください。
- 燃料を補充する前に、燃料タンクのキャップを開けて慎重に圧力を解放してください。
- 屋内でエンジンに燃料を補充しないでください。十分な空気の流れがないと、窒息や一酸化炭素中毒によって負傷や死亡に至ることがあります。
- 燃料タンクキャップを完全に締め込んでください。燃料タンクキャップが締め込まれていない場合、火災発生の危険があります。
- 始動する前に、燃料を充填した場所から本製品を3m(10フィート)以上移動させてください。
- 燃料タンクいっぱいには充填しないでください。高温になると、燃料が膨張します。燃料タンクの上部に余裕があるようにください。

メンテナンスのための安全注意事項



警告： 本製品を使用する前に、以下の警告指示をお読みください。

- エンジンの排気ガスには、無臭で有毒な危険性の高いガスである一酸化炭素が含まれます。屋内または閉鎖された空間でエンジンを始動しないでください。

- 本製品のメンテナンスを実施する前に、エンジンを停止し、スパークプラグからイグニッションケーブルを取り外してください。
- カutting装置のメンテナンスを実施するときは、保護グローブを使用してください。ブレードは非常に鋭利なため、切り傷を負う危険性があります。
- メーカーが認可していないアクセサリーの使用や本製品の改造は、重傷や死亡事故の原因となるおそれがあります。本製品を改造しないでください。必ず、メーカー認可済みのアクセサリーを使用してください。
- メンテナンスが正しく定期的を実施されていない場合は、負傷や本製品の損傷の危険性が高まります。
- 取扱説明書に記載されているメンテナンスのみを実施してください。他のすべてのサービス作業は、Husqvarna の認証サービス代理店が実施する必要があります。
- Husqvarna の認証サービス代理店で定期的に本製品のサービス作業を実施する必要があります。
- 損傷、摩耗、破損した部品は交換してください。

組立

はじめに



警告： 本製品を組み立てる前に、安全に関する章をお読みになり、内容を理解してください。



警告： 本製品を組み立てる前に、スパークプラグからスパークプラグケーブルを取りはずしてください。

ハンドルの組み立てと調整

1. 上部ハンドルのプレートからハンドルナットとワッシャーを取り外します。
2. 上部ハンドルを下部ハンドルの上に配置します。



注意： ワイヤーが引っかかったり、損傷したりしていないことを確認します。

3. ワッシャーとハンドルナットを取り付けます。(図 17)
4. 壁の近くで本製品を操作するときは、ハンドルを横に回して快適な操作位置に調整します。(図 18)
5. ハンドルを水平に調整するには、シャーシの調整ホイールを回します。(図 19)

マルチプラグの組み立て KLIPPO LB 448S, KLIPPO LB 548S e

1. スパークプラグを上にして本製品を後方に傾けます。
2. Cuttingカバーの内側からマルチプラグのピンを穴に入れます。(図 20)
3. Cuttingカバーの外側からマルチプラグのネジを取り付けます。(図 21)

Operation (動作)

はじめに



警告： 本製品を操作する前に、安全に関する章をお読みになり、内容を理解してください。

Husqvarna Connect

Husqvarna Connect は、モバイルデバイス用の無料アプリです。Husqvarna Connect アプリは、お持ちの Husqvarna 製品の拡張機能を提供します。

- 拡張製品情報。
- 製品の部品とサービスに関する情報とヘルプ。

Husqvarna Connect の使い方

1. Husqvarna Connect アプリをモバイルデバイスにダウンロードします。
2. Husqvarna Connect アプリで登録を行います。

3. Husqvarna Connect アプリの指示に沿って、製品を接続して登録します。

本製品を操作する前に

1. この取扱説明書をよくお読みになり、内容をしっかりと把握してください。
2. Cutting装置を点検し、正しく取り付けられ、調整されていることを確認します。Cutting装置の点検方法 176 ページを参照してください。
3. 燃料タンクを充填します。燃料の充填方法 173 ページを参照してください。
4. オイルタンクにオイルを注入し、油面をチェックします。オイルレベルのチェック 176 ページを参照してください。

燃料の充填方法

使用可能な場合は、低排出 / アキレートガソリンを使用してください。低排出 / アキレートガソリンを使用できない場合は、高品質の無鉛プレミアムガソリンを使用す

るが、オクタン価が 90 以上の無鉛ガソリンを使用して
ください。



注意： オクタン価が 90 RON (87 AKI)
未満のガソリンは使用しないでください。
本製品が損傷する場合があります。

1. 燃料タンクキャップをゆっくりと開いて、圧力を解放します。
2. 燃料缶を使用してゆっくり補充してください。燃料をこぼした場合は、布で拭き取り、残った燃料を乾燥させてください。
3. 燃料タンクキャップの周囲をきれいにしてください。
4. 燃料タンクキャップを完全に締め込んでください。燃料タンクキャップが締め込まれていない場合、火災発生の危険があります。
5. 始動する前に燃料を入れた場所から本製品を 3 m (10 フィート) 以上移動させてください。

刈高の設定

刈高は 6 段階に調節できます。

1. 刈高を高くするには、刈高レバーを前方に動かします。
2. 刈高を低くするには、刈高レバーを後方に動かします。



注意： 刈高を低く設定しすぎないでください。芝生の表面が水平でない場合、ブレードが地面に当たるおそれがあります。

本製品の始動方法

1. イグニッションケーブルがスパークプラグに接続されていることを確認してください。
2. 燃料バルブを開きます。(図 22)
3. 製品の後ろに立ってください。
4. エンジンブレーキハンドルをハンドルバーの方へ引きます。(図 23)
5. 右手でスターターロープハンドルを握ります。

6. 抵抗を感じるまで、スターターロープをゆっくりと引き出します。
7. 力を入れて引き、エンジンを始動します。



警告： スターターロープを手に巻き付けないでください。



注意： スターターロープを完全に引き出さないでください。スターターロープを引いているときは、スターターロープハンドルを放さないでください。

ドライブホイールの使用

- ドライブレバーを押し下げます。(図 24)
- 製品を後ろ向きに引く場合は、まずドライブを解除し、製品を約 10 cm 前方に押してから行ってください。
- 障害物に近づいたときなどは、エンジンブレーキハンドルを少し放してドライブを解除します。

本製品の停止方法

- ドライブのみを停止するには、エンジンブレーキハンドルを少し放します。
- エンジンを停止するには、エンジンブレーキハンドルを完全に放します。
- 燃料バルブを閉じます。(図 25)

良好に芝を刈る方法

- 必ず鋭利なブレードを使用してください。ブレードが鈍っていると、刈り取りにばらつきが出て、芝の切口が黄ばみます。鋭利なブレードを使用すると、鈍いブレードを使用した場合より労力が少なくて済みます。
- 芝の長さの $\frac{1}{2}$ 以上刈らないでください。まず刈高を高く設定して刈ります。結果を確認し、必要なレベルまで刈高を下げます。芝がかなり長い場合は、ゆっくり運転し、必要に応じて刈り取り作業を 2 回行ないます。
- 1 回目と 2 回目は別の方向に向かって刈り、芝面に筋がつかないようにします。

メンテナンス

はじめに



警告： メンテナンスを行う前に、安全に関する章をお読みになり、内容を理解してください。

本製品のすべての整備と修理作業には、特別な訓練が必要で、当社では責任をもって専門的な修理と整備作業を提供します。お客様の販売店がサービス代理店でない

場合は、最寄りのサービス代理店に関する情報をお問い合わせください。

メンテナンススケジュール

メンテナンス間隔は、本製品が毎日使用されることを前提に算出されています。本製品を毎日使用しない場合は、メンテナンス間隔が変わります。

「*」の付いているメンテナンスについては、「本製品の安全装置 171 ページ」を参照してください。

メンテナンス	毎日	毎週	毎月
一般点検の実施	X		
油面の点検	X		
製品の洗浄	X		
エアフィルターの清掃	X		
カッティング装置の点検	X		
カッティングカバーの点検*	X		
エンジンプレーキハンドルの点検*	X		
マフラーの点検*		X	
スパークプラグの点検		X	
カッティングブレードに損傷がないことの点検			X
ギアハウジングの清掃			X
オイルの交換（最初は 5 時間の使用後、その後は 25 時間の使用ごと、年に 1 回）			X
エアフィルターの交換			X
燃料システムの点検			X
ドライブの点検と調整（クラッチワイヤー）			X

一般点検の実施方法

- 本製品のナットとネジがしっかりと締め込まれていることを確認してください。

製品外部を洗浄するには

- ブラシで、葉、草、土を取り除いてください。
- エンジン上部の空気取り込み口が塞がれていないことを確認してください。
- 本製品の清掃には高圧水を使用しないでください。
- 水を使用して製品を洗浄する場合は、エンジンに直接水をかけないでください。

カッティングカバーの内面の清掃

- マフラーを下にして、本製品を横向きに置きます。



注意：製品にエアフィルターを取り付けている場合は、エンジンが破損することがあります。

- ホースを使ってカッティングカバーの内側の表面を水で洗浄します。

ドライブベルトの点検とギアハウジングの清掃

- ベルトガードのネジ 4 本とベルトカバーを取り外します。（図 26）

- ドライブベルトとベルトプーリーに損傷がないか点検します。
- ブラシを使用してギアハウジングから草や土を払い落とします。（図 27）

ドライブベルトの交換と調整

- ベルトガードのネジ 4 本とベルトカバーを取り外します。（図 26）
- 本製品の右のフロントホイールに対して、マイナスのドライバーをハブキャップとホイールの間に入れます。
- ドライバーを慎重に回してハブキャップを取り外します。
- ホイールボルトとホイールを取り外します。（図 28）
- ドライブベルトをベルトプーリーから外します。
- ベルトプーリーが軸の上を楽に回ることを確認します。
- 必要に応じて、ベルトプーリーの間と裏に浸透油をスプレーして軸を潤滑します。
- 新しいドライブベルトを設置して、ボールベアリングに取り付けてからドライブベルトを調整します。（図 29）
- ドライブベルトを調整するためにボールベアリングを上または下に動かします。（図 30）

注記： 新しいドライブベルトは、使用するにつれて長くなります。数時間使用した後にドライブベルトを再調整してください。

10. ベルトガードを取り付けます。
11. 本製品を操作して、ドライブベルトが正しく取り付けられ、調整されていることを確認します。

センターベルトの交換と調整

1. ブレードを外します。

注記： センターベルトの調整のみ行う場合はこのステップは不要です。

2. 調整ネジを数度回して緩めます。取り外さないでください。(図 31)
3. センターベルトを交換して、調整ネジを少し締め込みます。

注記： センターベルトの調整のみ行う場合はこのステップは不要です。

4. ギアを前方または後方に動かしてセンターベルトを調整します。(図 32)
5. フックスケールを使用してセンターベルトの張りを確認します。中央で 6~10 mm 動かせる場合、ベルトの張りは適切です。これは 3 kg の牽引力に相当します。(図 33)
6. 3 Nm のトルクで調整ネジを締め込みます。
7. 本製品を操作して、ドライブベルトが正しく取り付けられ、調整されていることを確認します。

カッティング装置の点検方法



警告： 誤って始動しないように、イグニションケーブルをスパークプラグから取り外します。



警告： カッティング装置のメンテナンスを実施するときは、保護グローブを着用してください。ブレードは非常に鋭利なため、切り傷を負う危険性があります。

1. カッティング装置に損傷やひび割れがないかどうか点検してください。損傷したカッティング装置は必ず交換してください。
2. ブレードが破損していないか、鈍くなっていないかを確認してください。

注記： ブレードの目立て後は、ブレードのバランス調整が必要です。サービスセンターに依頼して、ブレードの目立て、交換、バランス調整を受けてください。製品が障害物に当たって停止した場合は、破損したブレードを交換してください。サービスセンターに依頼して、ブレードの目立てが可能かどうか、交換が必要かどうかを判断してもらってください。

ブレードの交換

1. ブレードを木製ブロックでロックします。(図 34)
2. ブレードボルト、スプリングワッシャー、ブレードを取り外します。(図 35)
3. ブレードサポートとブレードボルトに損傷がないか点検します。
 - a) ブレードまたはブレードサポートを交換する場合は、ブレードボルト、スプリングワッシャー、フリクションワッシャーも交換してください。
4. エンジンシャフトが曲がっていないかことを点検します。
5. 新しいブレードを取り付けるときは、角度がついた端の部分をカッティングカバーの方向に向けます。(図 36)
6. フリクションワッシャーとブレードをブレードサポートに取り付けます。(図 37)
7. ブレードがエンジンシャフトの中心と合っていることを確認します。(図 38)
8. ブレードを木製ブロックでロックします。(図 39)
9. スプリングワッシャーを取り付け、ボルトを 80 Nm のトルクで締め付けます。(図 40)
10. 手でブレードを引き回して、引っかかりなく回転することを確認します。



警告： 保護グローブを着用してください。ブレードは非常に鋭利なため、切り傷を負う危険性があります。

11. 製品を始動してブレードのテストを実施します。ブレードが正しく取り付けられていない場合、製品に振動が発生するか、良好な刈り取り結果を得られません。

オイルレベルのチェック



注意： 油面が低すぎると、エンジンが損傷することがあります。製品を始動する前に油面を点検してください。

1. 本製品を水平面に置きます。
2. 燃料バルブを閉じます。
3. オイルレベルゲージが付いているオイルタンクキャップを取り外します。
4. オイルレベルゲージのオイルを拭き取ります。
5. オイルタンクにオイルレベルゲージを入れます。オイルタンクキャップは締めないでください。
6. オイルレベルゲージを外します。
7. オイルレベルゲージで油面を点検します。
8. 油面が低すぎる場合は、エンジンオイルを充填し、もう一度油面をチェックします。オイルレベルゲージの一番上のマークが適性なオイルレベルです。

エンジンオイルの交換方法



警告： エンジンの停止直後は、エンジンオイルが非常に高温になっています。エンジンオイル排出前にエンジンを冷ましてください。エンジンオイルが皮膚に触れた場合は、石鹸と水で洗ってください。

1. 燃料タンクが空になるまで、製品を運転してください。
2. スパークプラグからイグニッションケーブルを取り外します。
3. オイルタンクキャップを取り外します。
4. エンジンオイルを収集するために製品の下にコンテナを置きます。
5. オイルタンクからエンジンオイルを抜き取るために製品を傾けます。
6. 主要諸元 178 ページで推奨されているタイプの新しいエンジンオイルを充填します。
7. 油面をチェックします。オイルレベルのチェック 176 ページを参照してください。

エアフィルターの清掃方法



注意： エアフィルターが取り付けられていない状態、またはエアフィルターが汚れている状態でエンジンを運転しないでください。



注意： エアフィルターがきれいにならない場合、または損傷している場合は、交換します。エアフィルターに不具合があると、エンジンの損傷の原因となります。

1. ラッチタブ (A) を押し、エアフィルターカバー (B) を外して、エアフィルター (C) を取り外します。(図 41)
2. エアフィルターを硬い面に当てるか、エアフィルターのきれいな側からエアフィルターに圧縮空気を吹き付けます。



注意： ブラシで汚れを取り除くことはできません。エアフィルターにほこりが押し込まれます。

3. 湿らせた布で、エアフィルターホルダー (D) とエアフィルターカバーを拭きます。



注意： エアダクト (E) に土が入らないようにしてください。

4. エアフィルターを取り付けます。エアフィルターとエアフィルターホルダーの間に隙間ができないようにしてください。
5. エアフィルターカバーは、下のタブから取り付けます。

スパークプラグを点検するには



注意： 必ず、推奨されている種類のスパークプラグを使用してください。スパークプラグの種類が間違っていると、本製品が破損するおそれがあります。

- エンジンのパワーが出ない、なかなか始動しない、またはアイドリング速度で適切に動作しない場合は、スパークプラグを点検します。
- スパークプラグ電極に異物が付着するリスクを下げるには、次の手順に従います。
 - a) アイドリング速度が正しく調整されていることを確認します。
 - b) 適切な燃料混合物を使用していることを確認します。
 - c) エアフィルターに汚れがないことを確認します。
- スパークプラグが汚れていたら、きれいにしてから電極キャップが適切であることを確認します。主要諸元 178 ページを参照してください。(図 42)
- 必要に応じてスパークプラグを交換します。

燃料システムを点検するには

- 燃料タンクキャップと燃料タンクキャップのシールを確認し、破損していないことを確認します。
- 燃料ホースを点検し、漏れがないことを確認します。燃料ホースが破損している場合は、サービス代理店に交換を依頼してください。

クラッチワイヤーの調整

ドライブの速度が遅い場合は、クラッチワイヤーを調整する必要があります。

- 調整ネジを回します。(図 43)

クラッチワイヤーブラケットの位置がナットと合っている場合、クラッチワイヤーは正しく調整されています。

(図 44)

搬送、保管、廃棄

搬送と保管

- 本製品と燃料を保管、搬送する場合は、漏れや煙がないことを確認してください。電気装置やボイラーなどからの火花や裸火により、火災が発生する場合があります。

- 燃料を保管、搬送する場合は必ず、認証されたコンテナを使用してください。
- 本製品を長期間、保管場所に入れる場合は、燃料タンクを空にしてください。燃料は適切な廃棄場所に廃棄してください。

- ・ 搬送中は本製品を安全に接続して、損傷や事故を防止してください。
- ・ 本製品は鍵のかかる場所に保管して、子供や許可を得ていない人が近づけないようにしてください。
- ・ 本製品は、乾燥した霜の降りない場所に保管します。
- ・ すべての化学物質（エンジンオイルや燃料など）はサービスセンターまたは適切な廃棄場所に廃棄してください。
- ・ 本製品が不要になった場合は、Husqvarna 販売店に送付するが、リサイクル施設で廃棄してください。

廃棄

- ・ 地域のリサイクル要件および適用される法規に従ってください。

主要諸元

主要諸元

	KLIPPO LB 448S	KLIPPO LB 453S	KLIPPO LB 548S e
エンジン			
ブランド	ホンダ	ホンダ	ホンダ
排気量、cm ³	145	166	166
回転速度、r/min	2900	2900	2900
公称エンジン出力、kW ⁶⁶	2.7	3.3	3.3
イグニションシステム			
スパークプラグ	NGK BPR5ES	NGK BPR5ES	NGK BPR5ES
電極間隔、mm	0.7~0.8	0.7~0.8	0.7~0.8
燃料および潤滑システム			
燃料タンク容量、リットル	0.9	0.9	0.9
燃料タンク容量、リットル	0.55	0.5	0.55
エンジンオイル ⁶⁷	SAE 10W-30	SAE 10W-30	SAE 10W-30
質量			
燃料タンクが空の場合 (kg)	30.5	33	32.5
騒音排出⁶⁸			
音響パワーレベル、測定 dB (A)	90	91	90
音響パワーレベル、保証 L _{WA} dB (A)	91	94	91
音量レベル⁶⁹			

⁶⁶ 表示エンジンの電気定格は、(指定 r/min での)平均実質電気出力で、SAE 基準 J1349/ISO1585 で測定したエンジンモデル向けの一般生産エンジンに対応しています。大量生産用エンジンは、この値と異なることがあります。最終製品に装備されたエンジンの実際の電気出力は、運転スピード、環境状態およびその他の値によって異なります。

⁶⁷ SG~SH のグレードのエンジンオイルを使用してください。エンジンメーカーのマニュアルに記載されている粘度チャートを参照し、予想される外気温に基づいて最適な粘度を選択してください。

⁶⁸ 環境における騒音排出は、EC 指令 2000/14/EC に従って、音響パワー (L_{WA}) として測定。

⁶⁹ 騒音音圧レベルは ISO 5395 に準拠。報告データによれば、騒音音圧レベルの一般的な統計上のばらつき (標準偏差) は、1.2 dB (A) です。

	KLIPPO LB 448S	KLIPPO LB 453S	KLIPPO LB 548S e
使用者の耳における音圧レベル (dB (A))	77	78	78
振動レベル (a_{hveq}) ⁷⁰			
ハンドル、 m/s^2	4.5	5.3	4.8
カッティング装置			
刈高、mm	30 ~ 60	30 ~ 60	30 ~ 60
刈幅、mm	480	530	480
ブレード	マルチ - 48 cm 5028813-10	マルチ - 53 cm 5028814-10	マルチ - 48 cm 5028813-10
ドライブ			
速度、km/h	4.5	4.5	4.5

⁷⁰ 振動レベルは ISO 5395 に準拠。報告データによれば、等価振動レベルの一般的な統計上のばらつき (標準偏差) は、 $0.2 m/s^2$ です。

EC 適合性宣言

Husqvarna AB、SE-561 82 Huskvarna、スウェーデン、
電話：+46-36-146500 は、**芝刈機 Husqvarna KLIPPO LB 448S, KLIPPO LB 453S, KLIPPO LB 548S e** (製品番号 2020xxxxxxx 以降) が、以下の評議会指令 (COUNCIL'S DIRECTIVE) の規定に適合していることを宣言します。

- 2006 年 5 月 17 日付「機械類に関する」**2006/42/EC**
- 2014 年 2 月 26 日付「電磁波適合性に関する」**2014/30/EU**
- - 2000 年 5 月 8 日付「環境への騒音排出に関する」**2000/14/EC**
- 2011 年 6 月 8 日付「電気・電子製品に含まれる特定有害物質の使用制限に関する」**2011/65/EU**

騒音排出に関する情報は、主要諸元を参照してください。

次の標準規格にも適合しています。

EN ISO 5395-1, EN ISO 5395-2, EN ISO 5395-2 Amd1, EN ISO 5395-2 Amd 2, EN 55012, EN 50581:2012

別途記載のない限り、上記規格が最新版です。

試験機関：**0404, RISE SMP Svensk Maskinprovning AB, Box 7035, SE-750 07 Uppsala** 0404, RISE SMP Svensk Maskinprovning AB, Box 7035, SE-750 07 Uppsala は、2000 年 5 月 8 日付の「周囲への騒音排出に関する」評議会指令 2000/14/EC の補足 VI に対する適合性の評価に関する報告書を発表しました。

Huskvarna, 2020-09-16



開発マネージャー / ガーデン製品担当 Claes Losdal (ハスクバーナ AB 正式代表兼技術文書担当)

TURINYS

Įvadas.....	181	Techninė priežiūra.....	186
Sauga.....	182	Transportavimas, saugojimas ir utilizavimas.....	189
Surinkimas.....	185	Techniniai duomenys.....	190
Naudojimas.....	185	EB atitikties deklaracija.....	192

Įvadas

Gaminio aprašas

Šis gaminys yra savaeigė sukamoji veļapjovė, kuri naudojama BioClip® smulkina žolę ir paverčia ją trąša.

Gaminio apžvalga

(Pav. 1)

1. Rankena
2. Variklio stabdymo rankena
3. Pavaros svirtis
4. Starterio virvės rankena
5. Alyvos dangtelis
6. Diržo apsauga
7. Duslintuvas
8. Degimo žvakė
9. Diržo apsauga
10. Kuro bakelis
11. Svirtis rankenos kampo reguliavimui
12. Vibracijos slopinimo sistema
13. Sankabos kabelio reguliavimas
14. Apatinė rankena
15. Pjovimo aukščio reguliavimo svirtis
16. Kuro vožtuvai
17. Oro filtras
18. Pjovimo gaubtas
19. Spyruoklės poveržlė
20. Disko varžtas
21. Peiliis
22. Peilių atrama / laikiklis
23. Mulčavimo kaitis (KLIPPO LB 448S, KLIPPO LB 548S e)
24. Naudojimo instrukcija

Simboliai ant gaminio

- (Pav. 2) ĮSPĖJIMAS. Aplaidžiai ar netinkamai naudojant gali būti rimtai ar net mirtinai sužalotas operatorius ar kiti žmonės.
- (Pav. 3) Prieš naudodami, atidžiai perskaitykite naudotojo instrukciją ir įsitinkite, kad viską gerai supratote.

Numatytasis naudojimas

Gaminį naudokite žolei pjauti. Nenaudokite gaminio kitiems darbams.

- (Pav. 4) Saugokitės išmetamų ir rikošetu atšokusių daiktų.
- (Pav. 5) Asmenims ir gyvūnams būtina laikytis saugaus atstumo nuo darbo zonos.
- (Pav. 6) Prieš taisydami ar prižiūradami sustabdykite variklį ir atjunkite uždegimo kabelį.
- (Pav. 7) Įspėjimas: Saugokite rankas bei kojas ir nekiškite jų prie besisukančių dalių.
- (Pav. 8) Įspėjimas: Saugokite rankas bei kojas ir nekiškite jų prie besisukančio peilio.
- (Pav. 9) Šis įrenginys atitinka jam taikomas EB direktyvas.
- (Pav. 10) Triukšmo emisija į aplinką atitinka Europos direktyvą 2000/14/EB ir Naujojo Pietų Velso įstatymą „2017 m. aplinkos apsaugos (triukšmo kontrolės) reglamentas“. Triukšmo emisijos duomenys nurodyti įrenginio etiketėje ir skyriuje Techniniai duomenys.
- (Pav. 11) Nuskaitomas kodas.

Pasižymėkite: Kiti ant gaminio pateikti simboliai (lipdukai), skirti kitų komercinių teritorijų sertifikavimo reikalavimams.

Lipdukas ant produkto, tik Australijoje ir Naujojoje Zelandijoje

(Pav. 12)

Saugokite rankas bei kojas ir neikiškite jų prie besisukančio peilio.

„Euro V“ standartas



PERSPĖJIMAS: Variklio modifikavimas panaikina šio produkto ES tipo patvirtinimą.

Atsakomybė už gaminį

Kaip nurodyta atsakomybės už gaminį įstatymuose, mes nesame atsakingi už mūsų gaminio sukeltą žalą, jei:

- gaminys netinkamai suremontuotas;
- gaminys suremontuotas naudojant kito gamintojo arba gamintojo nepatvirtintas dalis;
- gaminys turi kito gamintojo arba gamintojo nepatvirtintą priedą;
- gaminys suremontuotas ne patvirtintame techninės priežiūros centre arba jį suremontavo ne patvirtintas atstovas.

Sauga

Saugos ženklų reikšmės

Įspėjimai, perspėjimai ir pastabos yra skirtos atkreipti dėmesį į ypač svarbias vadovo dalis.



PERSPĖJIMAS: Naudojamas, kai naudotojai ar šalia esantiems asmenims kyla mirtino arba sunkaus sužeidimo pavojus arba, jei nesilaikoma vadove pateiktų nurodymų.



PASTABA: Naudojamas, kai kyla pavojus sugadinti gaminį, kitas medžiagas arba padaryti žalą aplinkai, jei nesilaikoma vadove pateiktų nurodymų.

Pasižymėkite: Naudojamas papildomai informacijai apie konkrečią situaciją pateikti.

Bendrieji saugos nurodymai



PERSPĖJIMAS: Prieš naudodami gaminį, perskaitykite toliau esančius įspėjimus.

- Netinkamai arba neatidžiai naudojant šis gaminys yra pavojingas. Jei nesilaikysite saugos nurodymų, kyla sužeidimų arba mirties pavojus.
- Šis gaminys veikdamas sukuria elektromagnetinį lauką. Tam tikromis aplinkybėmis šis laukas gali trikdyti aktyviųjų arba pasyviųjų medicininių implantų veiklą. Kad sumažėtų sunkių ar mirtinų sužeidimų pavojus, medicininių implantų turintiems asmenims rekomenduojame prieš naudojant šį gaminį pasitarti su gydytoju ir implanto gamintoju.
- Visada elkitės atsargiai ir vadovaukitės sveiku protu. Jei tiksliai nežinote, kaip naudoti gaminį konkrečioje situacijoje, sustabdykite darbą ir prieš tęsdami darbą pasitarkite su „Husqvarna“ pardavimo atstovu.

- Atsiminkite, kad už nelaimingus atsitikimus, kurių metu nukentės asmenys ar turtas, bus atsakingas naudotojas.
- Rūpinkitės gaminio švara. Įsitikinkite, kad aiškiai perskaitėte ženklus ir lipdukus.
- Neleiskite kitiems naudotis gaminiumi, jei neįsitikinote, kad jie perskaitė ir suprato naudojimo instrukcijos turinį.
- Neleiskite gaminio naudoti vaikams.
- Pasirūpinkite, kad vaikai būtų toliau nuo darbo zonos. Būtina nuolatinė atsakingo suaugusiojo priežiūra.
- Neleiskite gaminio naudoti su instrukcijomis nesusipažinusiems asmenims.
- Visada prižiūrėkite gaminį naudojančią fizinę arba protinę negalią turintį asmenį. Būtina nuolatinė atsakingo suaugusiojo priežiūra.
- Neekspluatuokite gaminio, jeigu esate pavargę, sergate, vartojote alkoholio, narkotikų ar vaistų. Tai neigiamai veikia jūsų regėjimą, nuovoką ar koordinaciją.
- Neekspluatuokite gaminio, jei jis sugadintas.
- Nekeiskite gaminio ir nenaudokite jo, jei jį galėjo pakeisti kiti.
- Nekeiskite variklio greičio valdymo reguliavimo.

Sauga darbo vietoje



PERSPĖJIMAS: Prieš naudodami gaminį, perskaitykite toliau esančius įspėjimus.

- Prieš naudodami gaminį nuo darbo zonos pašalinkite tokius objektus, kaip šakos, šakelės ir akmenys.
- Atsitraukite į pjovimo įrangą objektai gali atšokti ir sužeisti asmenis bei sugadinti daiktus. Šalia esantiems asmenims ir gyvūnams būtina laikytis saugaus atstumo nuo gaminio.
- Gaminio niekuomet nenaudokite blogu oru, pvz., kai pakyla rūkas, lyja, pučia stiprus vėjas, stipriai šąla ir gali žaibuoti. Darbas gaminiumi blogu oru arba drėgnoje ar šlapiose vietose yra varginantis. Blogu

oru gali susidaryti pavojingos sąlygos, pvz., slidūs paviršiai.

- Saugokitės asmenų, daiktų ir tam tikrų situacijų kurios gali neleisti saugiai naudoti gaminio.
- Saugokitės kliūčių, pvz., šaknų, akmenų, šakelių, duobių ir griovių. Aukštoje žolėje kliūtys gali būti nematomos.
- Gali būti pavojinga pjauti žolę įkalnėse. Nenaudokite gaminio, jei šlaitas yra statenis nei 15°.
- Šlaitus pjaukite skersai. Nevažiuokite į viršų ir žemyn.
- Būkite atsargūs artėdami prie nematomų kampų ir daiktų, kurie užstoja vaizdą.

Darbo sauga



PERSPĖJIMAS: Prieš naudodami gaminį, perskaitykite toliau esančius įspėjimus.

- Gaminį naudokite tik veją žolei pjauti. Neleidžiama jo naudoti kitoms užduotims atlikti.
- Naudokite asmenines apsaugines priemones. Žr. *Asmeninės apsauginės priemonės psl. 183.*
- Įsitikinkite, kad žinote, kaip greitai sustabdyti variklį nelaimės atveju.
- Niekada neužveskite variklio uždaroje erdvėje ar netoli degių medžiagų. Variklio išmetamosios dujos yra karštos, jose gali būti kibirkščių, kurios gali sukelti gaisrą.
- Nenaudokite gaminio tinkamai neuždengę peilio ir neuždėję kitų dangčių. Netinkamai uždėtas peilis gali atsilaisvinti ir sužeisti.
- Užtikrinkite, kad peilis neatsitrenktų į tokius objektus, kaip akmenys ir šaknys. Tai gali sugadinti peilį ir sulenkti variklio veleną. Sulenkta ašis sukelia didelę vibraciją ir kyla didžiulis pavojus, kad peilis atsilaisvins.
- Jei į peilį atsitrenkia objektas arba susidaro vibracijos, nedelsdami sustabdykite gaminį. Atjunkite uždegimo kabelį nuo uždegimo žvakės. Patikrinkite, ar gaminys neapgadintas. Pataisykite sugadintas dalis arba remonto darbus perleiskite įgaliotajam techninės priežiūros atstovui.
- Niekada neprijunkite variklio stabdžio rankenos prie rankenos visam laikui, kai variklis veikia.
- Padėkite gaminį ant stabilaus, plokščio paviršiaus ir paleiskite jį. Patikrinkite, ar peilis neliečia žemės ar kokių kitų daiktų.
- Visada būkite už gaminio, kai jį naudojate.
- Prižiūrėkite, kad visi ratukai būtų ant žemės ir abi rankas laikykite ant rankenos, kai naudojate gaminį. Saugokite rankas bei kojas ir neikiškite jų prie besisukančių peilių.
- Dirbant varikliui nepakreipkite gaminio.
- Būkite atsargūs, kai gaminį traukiate atgal.

- Dirbant varikliui nepakelkite gaminio. Jei gaminį turite pakelti, pirmiausia sustabdykite variklį ir atjunkite uždegimo kabelį nuo uždegimo žvakės.
- Naudodami gaminį neikite atgal.
- Vėždami įrenginį per zonas be žolės, pvz., žvirgždo, akmenų ir asfalto takelius, sustabdykite variklį.
- Dirbant varikliui nebėkite su gaminiumi. Naudodami gaminį visada eikite.
- Prieš pakeisdami pjovimo aukštį pirmiausia išjunkite variklį. Draudžiama reguliuoti, kai veikia variklis.
- Niekada nepaleiskite gaminio iš akių, kai veikia variklis. Išjunkite variklį ir įsitikinkite, kad pjovimo įranga nesisuka.

Naudojimo saugos instrukcijos

Asmeninės apsauginės priemonės



PERSPĖJIMAS: Prieš naudodami gaminį, perskaitykite toliau esančius įspėjimus.

- Asmeninės apsauginės priemonės nepadės visiškai išvengti pavojaus susižeisti, tačiau nelaimingo atsitikimo atveju mažiau nukentėsite. Leiskite prekybos atstovui padėti pasirinkti tinkamą įrangą.
- Jei triukšmo lygis viršija 85 dB, naudokite klausos apsaugą
- Avėkite patvarius, neslystančius batus. Neavėkite atvirų batų ir nebūkite basi.
- Dėvėkite storas, ilgas kelnes.
- Kai būtina, pvz., montuojant, apžiūrint arba valant pjovimo įrangą, užsimaukite apsaugines pirštines.

Gaminio apsauginės priemonės



PERSPĖJIMAS: Prieš naudodami gaminį, perskaitykite toliau esančius įspėjimus.

- Nesinaudokite gaminiumi, jei jo apsauginės priemonės yra netvarkingos.
- Reguliariai tikrinkite apsaugines priemones. Jei apsauginės priemonės yra pažeistos, pasitarkite su Husqvarna techninės priežiūros atstovu.

Atlikite pjovimo gaubto patikrą.

Pjovimo gaubtas sumažina gaminio vibracijas ir sumažina disko keliamą sužeidimų pavojų.

- Apžiūrėkite pjovimo gaubtą, kad įsitikintumėte, jog nėra pažeidimų, pvz., įtrūkių.

Diržo apsaugos patikra

Diržo apsauga sumažina sužeidimų pavojų ir užtikrina, kad nutrūkęs pavaros diržas nebūs išsviestas išorėn.

- Įsitikinkite, kad diržo apsauga nėra pažeista ir yra tinkamai pritvirtinta. (Pav. 13)

Diržo apsaugos patikra

Diržo apsauga sumažina sužeidimų pavojų ir užtikrina, kad nutrūkęs pavaros diržas nebus išsviestas išorėn.

- Įsitinkite, kad diržo apsauga nėra pažeista ir yra tinkamai pritvirtinta. (Pav. 14)

Variklio stabdymo rankena

Variklio stabdžio rankena sustabdo variklį. Atleidus variklio stabdžio rankeną variklis sustoja.

Kad patikrintumėte variklio stabdį, paleiskite variklį ir atleiskite variklio stabdžio rankeną. Jei variklis nesustoja per 3 sekundes, paprašykite, kad įgaliotasis „Husqvarna“ techninės priežiūros atstovas sureguliuotų variklio rankeną.

(Pav. 15)

Vibracijos slopinimo sistemos patikra



PERSPĖJIMAS: Ilgalaikė vibracija gali pakenkti silpnos kraujotakos žmonių kraujotakai ir nervų sistemai.

Pasireiškus per ilgą vibracijų poveikio simptomais, kreipkitės medicininės pagalbos. Pirmieji simptomai gali būti: kūno tirpimas, jautrumo praradimas, dilgčiojimas, skausmas, sumažėjusi jėga ar silpnumas, odos spalvos ar jos struktūros pakitimai. Šie simptomai dažniausiai pasireiškia pirštuose, plaštakose ir riešuose.

Naudojant gaminį, vibracijos slopinimo sistema susilpnina rankenų vibraciją.

Plieninis vamzdis rankenoje ir pjovimo gaubtas sumažina vibraciją. KLIPPO LB 548S e taip pat turi 4 vibracijos slopinimo įrenginius, pritvirtintus prie rankenos.

- Patikrinkite rankeną ir vibracijos slopinimo įrenginius, norėdami įsitikinti, kad nėra pažeidimų. (Pav. 16)

Peilių atrama / laikiklis

Peilių atrama sumažina variklio veleno sulinkimo riziką. Peiliui atsitrenkus į daiktą, jis juda paleis peilių atramą. Dėl judėjimo dėvisi peilių atramos paviršius. Nusidėvėjimas rodo, kad variklio veleno apsauga veikia tinkamai.

Duslintuvas

Duslintuvas iki minimumo sumažina triukšmo lygį ir nukreipia nuo naudotojo variklio išmetamąsias dujas.

Nenaudokite gaminio, jei nėra duslintuvo arba jis yra pažeistas. Esant pažeistam duslintuvui padidėja triukšmo lygis ir kyla gaisro pavojus.



PERSPĖJIMAS: Darbo metu ir tada, kai variklis veikia tuščiaja eiga, duslintuvas labai įkaista ir kurį laiką išlieka karštas. Elkitės atsargiai su degiomis medžiagomis ir (arba) garais, kad išvengtumėte gaisro.

Duslintuvo patikra

- Norėdami įsitikinti, kad duslintuvas yra tinkamai pritvirtintas ir nėra pažeistas, jį tikrinkite reguliariai.

Degalų naudojimo sauga



PERSPĖJIMAS: Prieš naudodami gaminį, perskaitykite toliau esančius įspėjimus.

- Neužveskite gaminio, jei ant gaminio yra kuro arba variklio alyvos. Nuvalykite nepageidaujamą kurą / alyvą ir pralaukite, kol gaminys išdžius.
 - Apsipylę drabužius kuru nedelsiant persienkite.
 - Neapsipilkite kūno kuru, nes jis gali sužaloti. Apsipylę kūną kuru, jį nusiplaukite muilu ir vandeniu.
 - Neužveskite gaminio, jei iš variklio sunkiasi skysčiai. Reguliariai tikrinkite, ar iš variklio nesisunkia skysčiai.
 - Atsargiai elkitės su kuru. Kuras yra degus, o jo garai – sprogūs, todėl neatsargiai elgiantis galima susižaloti arba žūti.
 - Neįkvėpkite kuro garų, nes jie gali sužaloti. Pasirūpinkite tinkamu vėdinimu.
 - Nerūkykite greta kuro arba variklio.
 - Nedėkite šiltų objektų greta kuro arba variklio.
 - Nepilkite kuro, kai variklis užvestas.
 - Prieš pildami kurą įsitinkite, ar variklis ataušęs.
 - Prieš pildami kurą lėtai atidarykite kuro bakelio dangtelį ir atsargiai išleiskite slėgį.
 - Nepilkite į variklį kuro būdami patalpoje. Dėl oro stygiaus galima susižaloti arba žūti uždusęs arba apsinuodijęs anglies monoksidu.
 - Stipriai užsukite kuro bakelio dangtelį. Nepakankamai stipriai užsukus kuro bakelį kyla gaisro pavojus.
 - Prieš pradėdami darbą patraukite gaminį mažiausiai 3 m / 10 pėdų nuo vietos, kurioje pylėte kurą.
 - Nepripilkite sklidino kuro bakelio. Šildamas kuras plečiasi. Palikite vietos kuro bakelio viršuje.
- PERSPĖJIMAS:** Prieš naudodami gaminį, perskaitykite toliau esančius įspėjimus.
- Variklio išmetamosiose dujose yra anglies monoksido – nuodingų, bekvapių ir labai pavojingų dujų. Nepalieskite variklio patalpose ar uždaroje erdvėje.



Priežiūros saugos instrukcijos

- Prieš atlikdami techninę gaminio priežiūrą, sustabdykite variklį ir atjunkite uždegimo kabelį nuo uždegimo žvakės.
- Pjovimo įrangos techninės priežiūros darbus atlikite apsimovę apsaugines pirštines. Peilis labai aštrus ir gali lengvai įpjauti.
- Gamintojo nepatvirtinti priedai ir gaminio pakeitimai gali rimtai ar net mirtinai sužeisti. Nekeiskite gaminio. Visada naudokite tik gamintojo patvirtintus priedus.
- Jei techninė priežiūra atliekama netinkamai ir nereguliariai, padidėja sužeidimų ir žalos gaminiui pavojus.
- Atlikite tik savininko vadove nurodytus techninės priežiūros darbus. Visus kitus techninės priežiūros darbus turi atlikti patvirtintas „Husqvarna“ techninės priežiūros atstovas.
- Patvirtintas „Husqvarna“ techninės priežiūros atstovas turi reguliariai atlikti gaminio techninę priežiūrą.
- Pakeiskite pažeistas, sulūžusias arba susidėvėjusias dalis.

Surinkimas

Įvadas



PERSPĖJIMAS: Prieš surinkdami įrenginį perskaitykite ir supraskite saugos skyriaus informaciją.



PERSPĖJIMAS: Prieš surinkdami gaminį nuo uždegimo žvakės nuimkite dangtelį.

Rankenos surinkimas ir suregulavimas

1. Nuimkite rankenos veržlę ir poveržlę nuo plokštės ant viršutinės rankenos.
2. Įstatykite viršutinę rankeną į vietą virš apatinės rankenos.



PASTABA: Užtikrinkite, kad laidai nejstrigs ir nebus pažeisti.

3. Uždėkite poveržlę ir rankenos veržlę. (Pav. 17)
4. Naudodami produktą netoli sienos, pasukite rankeną į šoną, norėdami geros valdymo padėties. (Pav. 18)
5. Sukite reguliavimo ratukus ant važiuoklės, norėdami reguliuoti rankeną vertikaliai. (Pav. 19)

Mulčiavimo priedo montavimas KLIPPO LB 448S, KLIPPO LB 548S e

1. Pakreipkite produktą atgal, uždegimo žvakę nukreipę į viršų.
2. Įkiškite mulčiavimo priedo kaiščius į angas iš vidinės pjovimo gaubto pusės. (Pav. 20)
3. Pritvirtinkite mulčiavimo priedo varžtus iš išorinės pjovimo gaubto pusės. (Pav. 21)

Naudojimas

Įvadas



PERSPĖJIMAS: Prieš naudodami gaminį perskaitykite ir supraskite saugos skyriaus informaciją.

Husqvarna Connect

Husqvarna Connect yra nemokama programėlė, skirta mobiliesiems įrenginiams. Programėlė Husqvarna Connect suteikia Husqvarna gaminiui papildomas funkcijas:

- Papildoma informacija apie gaminį.
- Informacija ir patarimai apie gaminio dalis ir priežiūrą.

Norėdami pradėti naudoti Husqvarna Connect

1. Atsisiųskite „Husqvarna Connect“ programėlę į mobilųjį įrenginį.
2. Užsiregistruokite „Husqvarna Connect“ programėlėje.
3. Norėdami prisijungti ir užregistruoti gaminį, vykdykite „Husqvarna Connect“ programėlėje pateiktas instrukcijas.

Prieš naudodami gaminį

1. Atidžiai perskaitykite naudojimo instrukciją ir įsitikinkite, kad viską gerai supratote.
2. Apžiūrėkite pjovimo įrangą ir įsitikinkite, kad ji tinkamai prijungta ir sureguliuota. Žr. *Pjovimo įrangos patikrinimas psl. 188*.
3. Užpildykite kuro bakelį. Žr. *Norėdami pripildyti degalų psl. 186*.

4. Pripilkite alyvos bakelį ir patikrinkite alyvos lygį. Žr. *Alyvos lygio tikrinimas psl. 188.*

Norėdami pripildyti degalų

Jei įmanoma, naudokite ekologišką / alkilato benzina. Jei ekologiško / alkilato benzino naudoti negalite, naudokite geros kokybės bešvinį benzina arba benzina su švinu, kurio oktaninis skaičius ne mažesnis nei 90.



PASTABA: Nenaudokite benzino, kurio oktaninis skaičius yra mažesnis nei 90 RON (87 AKI). Antraip galima sugadinti gaminį.

1. Lėtai atsukite kuro bakelio dangtelį, kad išleistumėte slėgį.
2. Lėtai pilkite iš degalų kanistro. Jei išliejate kurą, nuvalykite jį audiniu ir palaukite, kol kuras išdžius.
3. Nuvalykite sritį aplink kuro bakelio dangtelį.
4. Stipriai užsukite kuro bakelio dangtelį. Nepakankamai stipriai užsukus kuro bakelį kyla gaisro pavojus.
5. Prieš pradėdami darbą patraukite gaminį mažiausiai 3 m (10 pėdų) nuo vietos, kurioje pylėte kurą.

Pjovimo aukščio nustatymas

Galima nustatyti 6 pjovimo aukščio padėtis.

1. Kad padidintumėte pjovimo aukštį, pjovimo aukščio svirtį palenkite į priekį.
2. Kad sumažintumėte pjovimo aukštį, pjovimo aukščio svirtį palenkite atgal.



PASTABA: Nenustatykite per žemo pjovimo aukščio. Peiliai gali užkliudyti žemę, jei vejos paviršius nelygus.

Įrenginio paleidimas

1. Įsitinkinkite, kada uždegimo kabelis prijungtas prie uždegimo žvakės.
2. Atidarykite kuro vožtuvą. (Pav. 22)
3. Būkite už įrenginio.
4. Laikykite variklio stabdymo rankeną prispaudę prie rankenos. (Pav. 23)

5. Dešine ranka laikykite starterio lynelį.
6. Lėtai patraukite starterio lynelį, kol pajusite pasipriešinimą.
7. Tada stipriai patraukite, kad paleistumėte variklį.



PERSPĖJIMAS: Nevyniokite starterio virvės sau ant rankos.



PASTABA: Neištraukite starterio virvės iki galo. Nepaleiskite starterio virvės rankenos, kai ji ištraukta.

Ratų pavaros naudojimas

- Nuspauskite pavaros svirtį žemyn. (Pav. 24)
- Prieš patraukdami gaminį atgal, išjunkite pavarą ir pastumkite gaminį į priekį apie 10cm.
- Atleiskite variklio stabdymo rankeną trumpą atstumą, kad išjungtumėte pavarą, pvz., kai priartėjate prie kliūtys.

Gaminio sustabdymas

- Norėdami sustabdyti tik pavarą, atleiskite variklio stabdymo rankeną trumpą atstumą.
- Norėdami išjungti variklį, visiškai atleiskite variklio stabdymo rankeną.
- Uždarykite kuro vožtuvą. (Pav. 25)

Gerų rezultatų gavimas

- Visada naudokite pagaląstą peilį. Atšipęs peilis netaisyklingai nupjauna ir žolės paviršius pagelsta. Be to, aštrus peilis naudoja mažiau energijos nei atšipęs.
- Nepjaukite daugiau nei 1/3 žolės ilgio. Pirmiausia nupjaukite nustatę didelį aukštį. Patikrinkite rezultata ir sumažinkite pjovimo aukštį iki tinkamo lygio. Jeigu žolė tikrai aukšta, judėkite lėtai ir, jei reikia, pjaukite 2 kartus.
- Kiekvieną kartą pjaukite skirtingomis kryptimis, kad vejoje nesusidarytų dryžiai.

Techninė priežiūra

Įvadas



PERSPĖJIMAS: Prieš atlikdami priežiūros darbus perskaitykite ir supraskite saugos skyriaus informaciją.

Visiems gaminio techninės priežiūros ir remonto darbams reikia specialių apmokymų. Garantuojame profesionalaus remonto ir techninės priežiūros darbų

pasiekiamumą. Jei jūs pardavėjas nėra techninės priežiūros atstovas, paprašykite jo informacijos apie artimiausią techninės priežiūros atstavą.

Priežiūros grafikas

Techninės priežiūros intervalai apskaičiuojami pagal kasdienį gaminio naudojimą. Intervalai keičiasi, jei gaminys naudojamas kasdien.

Techninės priežiūros informacijos, pažymėtos *, žr. instrukcijas, pateikiamas *Gaminio apsauginės priemonės psl. 183.*

Techninės priežiūros darbas	Kasdien	Kiekvienu savaitę	Kiekvienu mėnesį
Atlikti bendrąją apžiūrą	X		
Patikrinti alyvos lygį	X		
Nuvalyti įrenginį	X		
Išvalykite oro filtrą	X		
Patikrinti pjovimo įrangą	X		
Patikrinti pjovimo įrangos gaubtą*	X		
Patikrinti variklio stabdymo rankeną*	X		
Patikrinti duslintuvą*		X	
Patikrinti uždegimo žvakę		X	
Patikrinkite, ar nepažeistas pavaros diržas			X
Išvalykite pavaros korpusą			X
Pakeiskite alyvą (pirmą kartą po 5 naudojimo valandų, tada kas 25 naudojimo valandas ir kas metus)			X
Pakeiskite oro filtrą.			X
Patikrinti degalų sistemą			X
Patikrinti ir sureguliuoti pavarą (sankabos laidas)			X

Bendroji apžiūra

- Įsitikinkite, kad gaminio veržlės ir varžtai yra tinkamai priveržti.

Gaminio valymas iš išorės

- Lapus, žolę ir purvą nuvalykite šepėčiu.
- Apžiūrėkite ar neužsikūsiusi oro įsiurbimo anga variklio viršuje.
- Gaminio neplaukite aukšto slėgio plovimo aparatu.
- Jei gaminį valote vandeniu, nepilkite vandens tiesiai ant variklio.

Pjovimo įrangos gaubto vidinio paviršiaus valymas

1. Paverskite įrenginį ant šono ant duslintuvo.



PASTABA: Jei gaminį paversite ant oro filtro, galite sugadinti variklį.

2. Vandeniu apšlakstykite vidinį pjovimo įrangos gaubto paviršių.

Pavaros diržo patikrinimas ir pavaros korpuso valymas

1. Išsukite 4 varžtus ant diržo apsaugos ir nuimkite diržo apsaugą. (Pav. 26)
2. Patikrinkite, ar nepažeistas pavaros diržas ir diržinės pavaros skriemulys.
3. Naudodami šepetį nuvalykite nuo pavaros korpuso lapus, žolę ir purvą. (Pav. 27)

Pavaros diržo keitimas ir reguliavimas

1. Išsukite 4 varžtus ant diržo apsaugos ir nuimkite diržo apsaugą. (Pav. 26)
2. Įkiškite plokščią atsuktuvą tarp produkto priekinio dešiniojo ratlankio ir jo gaubto.
3. Atsargiai pasukite atsuktuvą, norėdami nuimti ratlankio gaubtą.
4. Atsukite rato varžtą ir nuimkite ratą. (Pav. 28)
5. Nuimkite pavaros diržą nuo diržinės pavaros skriemulio.
6. Įsitikinkite, kad diržinės pavaros skriemuliai lengvai juda ant ašių.

7. Jei reikia, papurkškite prasiskverbiančios alyvos tarp diržinės pavaros skriemulių ir už jų bei sutepinkite ašį.
8. Sumontuokite naują pavaros diržą ir tinkamai pritvirtinkite jį ties rutuliniu guoliu, prieš reguliuodami. (Pav. 29)
9. Judinkite rutulinį guolį aukštyn arba žemyn, norėdami reguliuoti pavaros diržą. (Pav. 30)

Pasižymėkite: Naujas pavaros diržas naudojamas ilgėja. Po kelių naudojimo valandų vėl sureguliuokite pavaros diržą.

10. Uždėkite diržo apsaugą.
11. Panaudokite produktą, norėdami įsitikinti, kad pavaros diržas tinkamai sumontuotas ir sureguliuotas.

Centrinio diržo keitimas ir reguliavimas

1. Nuimkite peilį.

Pasižymėkite: Šis žingsnis nebūtinai, jei reguliuojate tik centrinį diržą.

2. Atlaisvinkite reguliavimo varžtus kelis apsisukimus, tačiau neišukite jų. (Pav. 31)
3. Pakeiskite centrinį diržą ir vidutiniškai priveržkite reguliavimo varžtus.

Pasižymėkite: Šis žingsnis nebūtinai, jei reguliuojate tik centrinį diržą.

4. Judinkite pavarą pirmyn arba atgal, norėdami reguliuoti centrinį diržą. (Pav. 32)
5. Naudodamiesi svarstyklėmis su kabliu, patikrinkite centrinio diržo įtempimą. Diržo įtempimas teisingas, jei centre jis gali judėti 6–10 mm. Tai atitinka 3 kg traukimą. (Pav. 33)
6. Iki galo priveržkite reguliavimo varžtus 3 Nm sukimo momentu.
7. Panaudokite produktą, norėdami įsitikinti, kad pavaros diržas tinkamai sumontuotas ir sureguliuotas.

Pjovimo įrangos patikrinimas



PERSPĖJIMAS: Kad įranga netyčia nepasileistų, ištraukite uždegimo kabelį iš uždegimo žvakės.



PERSPĖJIMAS: Pjovimo įrangos techninės priežiūros darbus atlikite apsimovę apsaugines pirštines. Peilis labai aštrus ir gali lengvai įpjauti.

1. Patikrinkite, ar pjovimo įranga nepažeista ir neįskilusi. Visada pakeiskite pažeistą pjovimo įrangą.
2. Apžiūrėkite peilį, ar jis nepažeistas ir neatšipęs.

Pasižymėkite: Pagalandus peilį jį reikia subalansuoti. Pagaląsti, pakeisti ir subalansuoti peilį turi techninės priežiūros centro darbuotojai. Jei susidūrėte su kliūtimi, dėl kurios įrenginys sustojo, pakeiskite pažeistą peilį. Leiskite techninės priežiūros centro darbuotojams nuspręsti, ar peilį dar galima galąsti, ar jau reikia keisti.

Peilio keitimas

1. Užfiksuokite peilį medžio bloku. (Pav. 34)
2. Išimkite peilio varžtą, spyruoklinę poveržlę ir peilį. (Pav. 35)
3. Patikrinkite, ar peilio atrama ir peilio tvirtinimo varžtas nėra pažeisti.
 - a) Keisdami peilį arba peilio atramą, taip pat pakeiskite peilio tvirtinimo varžtą, spyruoklinę poveržlę ir apsauginę poveržlę.
4. Patikrinkite variklio veleną, kad įsitikintumėte, ar jis nesulenktas.
5. Uždedant naują peilį, įsitinkinkite, kad sulenkti galai yra nukreipti pjovimo gaubto pusę. (Pav. 36)
6. Uždėkite apsauginę poveržlę ir peilį ant peilio atramos. (Pav. 37)
7. Įsitinkinkite, kad peilis suliyguotas su variklio veleno centru. (Pav. 38)
8. Užfiksuokite peilį medžio bloku. (Pav. 39)
9. Uždėkite spyruoklinę poveržlę ir priveržkite varžtą 90 Nm sukimo momentu. (Pav. 40)
10. Ranka pasukite peilį ir patikrinkite, ar jis laisvai sukasi.



PERSPĖJIMAS: Būtinai mūvėkite pirštines. Peilis labai aštrus ir gali lengvai įpjauti.

11. Paleiskite gaminį, kad išbandytumėte peilį. Jei peilis netinkamai uždėtas, gaminys vibruoja arba pjaunama nepakankamai gerai.

Alyvos lygio tikrinimas



PASTABA: Per mažas alyvos kiekis gali sukelti variklio gedimus. Prieš paleisdami gaminį patikrinkite alyvos lygį

1. Pastatykite gaminį ant lygaus paviršiaus.
2. Uždarykite kuro vožtuvą.
3. Nusukite alyvos bakelio dangtelį su pridėtu alyvos lygio matuokliu.
4. Nuvalykite alyvą nuo matuoklės.
5. Įdėkite alyvos lygio matuoklį į alyvos bakelį, tačiau nepriveržkite alyvos bakelio dangtelio.
6. Ištraukite lygio matuoklę.
7. Patikrinkite alyvos lygį matuoklio pagalba.

8. Jei alyvos lygis nedidelis, pripilkite variklio alyvos ir vėl jį patikrinkite. Alyvos lygis teisingas, kai yra ties viršutine lygio matuoklio žyme.

Norėdami pakeisti variklio alyvą



PERSPĖJIMAS: Iš karto sustabdžius variklį variklio alyva yra labai karšta. Prieš išleidami variklio alyvą, leiskite varikliui atvėsti. Jei užsipilsite variklio alyvos ant odos, nuvalykite ją muilu ir vandeniu.

1. Eksploatuokite gaminį, kol kuro bakelis ištuštės.
2. Nuimkite uždegimo kabelį nuo uždegimo žvakės.
3. Nuimkite alyvos bakelio dangtelį.
4. Po gaminiui padėkite konteinerį, į kurį surinksite variklio alyvą.
5. Pakreipkite įrenginį, kad išleistumėte variklio alyvą iš alyvos bakelio.
6. Pripilkite naujos variklio alyvos. Rekomenduojamo tipo ieškokite *Techniniai duomenys psl. 190*.
7. Patikrinkite alyvos lygį. Žr. *Alyvos lygio tikrinimas psl. 188*.

Oro filtro valymas



PASTABA: Neleiskite varikliui veikti be oro filtro arba jei oro filtras purvinas.



PASTABA: Pakeiskite oro filtrą, jei nepavyksta jo visiškai išvalyti arba jei jis pažeistas. Sugedęs oro filtras gali sugadinti variklį.

1. Nuspauskite fiksatorius (A), nuimkite oro filtro dangtelį (B) ir nuimkite oro filtrą (C). (Pav. 41)
2. Padaužykite oro filtrą į kietą paviršių arba pūskite suspausta orą per oro filtrą iš švarios jo pusės.



PASTABA: Nevalykite šepetėliu, nes taip galite įstumti nešvarumus į oro filtrą.

3. Nuvalykite oro filtro laikiklį (D) ir oro filtro dangtelį drėgna šluoste.



PASTABA: Užtikrinkite, kad purvas nepatektų į oro kanalą (E).

4. Sumontuokite oro filtrą. Įsitinkinkite, kad oro filtras visiškai sandarus oro filtro laikiklyje.
5. Sumontuokite oro filtro dangtelį apatiniais fiksatoriais pirmyn.

Uždegimo žvakės tikrinimas



PASTABA: Visada naudokite rekomenduojamo tipo žvakes. Netinkamo tipo uždegimo žvakė gali pažeisti gaminį.

- Patikrinkite uždegimo žvakę, jei variklio galingumas mažas, jį sunku paleisti arba jis netinkamai veikia tuščiaja eiga.
- Norėdami sumažinti pašalinių medžiagų atsiradimą ant uždegimo žvakės elektrodų, laikykitės šių instrukcijų:
 - a) Įsitinkinkite, kad tinkamai sureguliuotas greitis tuščiaja eiga.
 - b) Įsitinkinkite, kad naudojate tinkamą kuro mišinį.
 - c) Patikrinkite, ar oro filtras yra švarus.
- Jeigu uždegimo žvakė purvina, nuvalykite ją ir patikrinkite, ar nustatytas tinkamas tarpas tarp elektrodų, žr. *Techniniai duomenys psl. 190*. (Pav. 42)
- Esant reikalui pakeiskite uždegimo žvakę.

Kuro sistemos tikrinimas

- Patikrinkite kuro bakelio dangtelį ir užsandarinkite jį, kad nepažeistumėte.
- Patikrinkite kuro žarnelę ir įsitinkinkite, kad ji neprateka. Jei kuro žarnelė pažeista, paprašykite, kad techninės priežiūros atstovas ją pakeistų.

Sankabos laido reguliavimas

Jei pavara veikia lėtai, būtina sureguliuoti sankabos laidą.

- Pasukite reguliavimo varžtą. (Pav. 43)

Sankabos kabelis tinkamai sureguliuotas, kai jo laikiklis sulgyjuotas su veržle.

(Pav. 44)

Transportavimas, saugojimas ir utilizavimas

Transportavimas ir laikymas

- Norėdami laikyti ir transportuoti gaminį ir kurą, įsitinkinkite, kad jis neprateka ir neskleidžia išmetamųjų dujų. Žiežirbos arba atvira ugnis, pvz., elektriniai įrenginiai arba džiovintuvai, gali sukelti gaisrą.

- Laikydami ir transportuodami kurą visada naudokite patvirtintus konteinerius.
- Ištuštinkite kuro bakelį prieš padėdami gaminį laikyti ilgam laikui. Kurą išpilkite tinkamoje šalinimo vietoje.
- Saugiai pritvirtinkite gaminį jį transportuodami, kad nepažeistumėte ir išvengtumėte nelaimingų atsitikimų.

- Laikykite gaminį užrakintoje patalpoje, kad jo nepasiektų vaikai arba neįgaloti asmenys.
- Laikykite gaminį sausoje neužšalancioje vietoje.

Šalinimas

- Laikykitės vietinių atliekų tvarkymo reikalavimų ir galiojančių teisės aktų.

- Išpilkite visas chemines medžiagas, pvz., variklio alyvą arba kurą techninės priežiūros centre arba tinkamoje šalinimo vietoje.
- Kai gaminys nebenaudojamas, nusiųskite jį „Husqvarna“ pardavėjui arba atiduokite jį perdirbimo vietai.

Techniniai duomenys

Techniniai duomenys

	KLIPPO LB 448S	KLIPPO LB 453S	KLIPPO LB 548S e
Variklis			
Gamintojas	„Honda“	„Honda“	„Honda“
Darbinis tūris, cm ³	145	166	166
Greitis, sūk./min.	2900	2900	2900
Nominali variklio galia, kW ⁷¹	2,7	3,3	3,3
Uždegimo sistema			
Uždegimo žvakė	NGK BPR5ES	NGK BPR5ES	NGK BPR5ES
Tarpas tarp elektrodų, mm	0,7-0,8	0,7-0,8	0,7-0,8
Kuro / tepimo sistema			
Kuro bakelio talpa, litrai	0,9	0,9	0,9
Alyvos bako talpa, litrai	0,55	0,5	0,55
Variklio alyva ⁷²	SAE 10W-30	SAE 10W-30	SAE 10W-30
Svoris			
Su tuščiais skysčių bakeliais, kg	30,5	33	32,5
Skleidžiamas triukšmas ⁷³			
Garso galios lygis, išmatuotas dB (A)	90	91	90
Garso galios lygis, garantuojamas L _{WA} dB (A)	91	94	91
Garso lygiai ⁷⁴			
Naudotojo ausį veikiantis garso slėgis, dB (A)	77	78	78

⁷¹ Nurodyta variklio galia atitinka to modelio tipinės gamybos būdu pagaminto variklio vidutinę naudingąją atiduodamą galią (varikliui veikiant nurodytu greičiu), išmatuotą pagal SAE standartą J1349 / ISO1585. Masinės gamybos būdu pagamintų variklių galia gali skirtis. Faktinė gaminyje įmontuoto variklio galia priklausys nuo darbinio greičio, aplinkos sąlygų ir kitų aplinkybių.

⁷² Naudokite SG–SH kokybės variklio alyvą. Žiūrėkite klampumo lentelę variklio gamintojo instrukcijoje ir pasirinkite geriausią klampumą, atsižvelgdami į numatomą lauko temperatūrą.

⁷³ Triukšmas, skleidžiamas į aplinką, išmatuotas kaip garso galia (L_{WA}) pagal EB direktyvą 2000/14/EB.

⁷⁴ Triukšmo slėgio lygis pagal ISO 5395. Pateikiamų triukšmo slėgio duomenų būdingoji statistinė sklaida (standartinis nuokrypis) lygi 1,2 dB (A).

	KLIPPO LB 448S	KLIPPO LB 453S	KLIPPO LB 548S e
Vibracijos lygiai, a_{Hveq}⁷⁵			
Rankena, m/s ²	4,5	5,3	4,8
Pjovimo įranga			
Pjovimo aukštis, mm	30-60	30-60	30-60
Pjovimo plotis, mm	480	530	480
Peilis	Mulčiavimas – 48 cm 5028813-10	Mulčiavimas – 53 cm 5028814-10	Mulčiavimas – 48 cm 5028813-10
Pavara			
Greitis, km/h	4,5	4,5	4,5

⁷⁵ Vibracijos lygis pagal ISO 5395. Pateiktuose vibracijos lygio duomenyse yra 0,2 m/s² tipiška statistinė sklaida (standartinis nuokrypis).

EB atitikties deklaracija

EB atitikties deklaracija

„Husqvarna AB“, SE-561 82 Huskvarna, Švedija, tel. +46-36-146500, patvirtina, kad **vejapjovės Husqvarna ir KLIPPO LB 448S, KLIPPO LB 453S, KLIPPO LB 548S e**, kurių serijos numeriai prasideda nuo 2020xxxxxxx, atitinka šių TARYBOS DIREKTYVOS reikalavimus:

- 2006 m. gegužės 17 d. direktyvos **2006/42/EB** dėl mašinų;
- 2014 m. vasario 26 d. direktyvos **2014/30/ES** dėl elektromagnetinio suderinamumo;
- 2000 m. gegužės 8 d. direktyvos **2000/14/EB** dėl į aplinką skleidžiamo triukšmo.
- 2011 m. birželio 8 d. direktyvos **2011/65/ES** dėl tam tikrų pavojingų medžiagų naudojimo elektros ir elektroninėje įrangoje.

Daugiau informacijos apie triukšmo emisiją žr.

„Techniniai duomenys“.

Taikyti šie standartai:

EN ISO 5395-1, EN ISO 5395-2, EN ISO 5395-2 Amd1, EN ISO 5395-2 Amd 2, EN 55012, EN 50581:2012

Jei nenurodyta kitaip, taikomos naujausios paskelbtos nurodytų standartų versijos.

Notifikuotoji įstaiga: **0404, RISE SMP Svensk Maskinprovning AB, Box 7035, SE-750 07 Uppsala** pateikė ataskaitą dėl atitikties 2000 m. gegužės 8 d. TARYBOS DIREKTYVOS 2000/14/EB dėl į aplinką skleidžiamo triukšmo VI priedo reikalavimams įvertinimo.

Huskvarna, 2020-09-16



Claes Losdal, plėtos vadovas / sodo produktai
(įgaliotasis „Husqvarna AB“ atstovas, atsakingas už
techninę dokumentaciją.)

Saturs

Ievads.....	193	Apkope.....	198
Drošība.....	194	Pārvadāšana, glabāšana un utilizēšana.....	201
Montāža.....	197	Tehniskie dati.....	202
Lietošana.....	197	EK atbilstības deklarācija.....	204

Ievads

Izstrādājuma apraksts

Izstrādājums ir gājēja vadīts rotējošs zālesplāvējs, kas izmanto BioClip® zāles sagriešanai, lai to izmantotu kā mēslojumu.

Izstrādājuma pārskats

(Att. 1)

1. Rokturis
2. Dzinēja bremžu rokturis
3. Piedziņas svira
4. Startera auklas rokturis
5. Elļas tvertnes vāciņš
6. Siksnas aizsargs
7. Trokšņa slāpētājs
8. Aizdedzes svece
9. Siksnas aizsargs
10. Degvielas tvertne
11. Roktura leņķa regulēšanas svira
12. Vibrāciju samazināšanas sistēma
13. Sajūga troses regulēšana
14. Apakšējais rokturis
15. Griešanas augstuma svira
16. Degvielas vārsts
17. Gaisa filtrs
18. Griezēja pārsegs
19. Atsperpaplāksne
20. Asmens skrūve
21. Asmeņiem
22. Naža adapteris
23. Mulčēšanas ieliktnis (KLIPPO LB 448S, KLIPPO LB 548S e)
24. Lietošanas rokasgrāmata

Simboli uz izstrādājuma

(Att. 2) **BRĪDINĀJUMS!** Pavirša vai nepareiza lietošana var radīt nopietnas traumas vai nāvi lietotājam vai citām personām.

(Att. 3) Lūdzu, rūpīgi izlasiet šo lietošanas rokasgrāmatu un pirms izstrādājuma lietošanas pārliecinieties, vai izprotat instrukcijas.

Paredzētā lietošana

Izmantojiet izstrādājumu, lai apgrieztu zāli. Nelietojiet izstrādājumu citiem uzdevumiem.

(Att. 4) Uzmanieties no izmestiem un rikošetā atlecošiem priekšmetiem.

(Att. 5) Nodrošiniet, lai darba zonā neatrastos cilvēki un dzīvnieki.

(Att. 6) Pirms veicat remontdarbus vai tehnisko apkopi, apturiet dzinēju un izņemiet aizdedzes vadu.

(Att. 7) **Brīdinājums!** Turiet rokas un kājas drošā attālumā no rotējošajām daļām.

(Att. 8) **Brīdinājums.** Turiet rokas un kājas drošā attālumā no rotējošiem asmeņiem.

(Att. 9) Šis izstrādājums atbilst spēkā esošajām EK direktīvām.

(Att. 10) Trokšņa izplūde vidē atbilstoši Eiropas Direktīvai 2000/14/EK un Jaundienvielsas tiesību aktam "Darba vides aizsardzības (trokšņa kontroles) regula (2017)". Trokšņa emisijas dati ir atrodami uz izstrādājuma etiķetes un tehnisko datu nodalā.

(Att. 11) Skenējams kods.

Piezīme: Pārējie uz izstrādājuma norādītie simboli/uzlīmes attiecas uz dažu tirdzniecības nozaru prasībām.

Uzlīme uz izstrādājuma, tikai Austrālijai un Jaunzēlandei

(Att. 12)

Turiet rokas un kājas drošā attālumā no rotējošiem asmeņiem.

Euro V emisija



BRĪDINĀJUMS: Motora atvēršana anulē šī ķēdes zāģa ES tipa apstiprinājumu.

Atbildība par izstrādājuma kvalitāti

Saskaņā ar likumiem par izstrādājuma kvalitāti mēs neuzņemamies atbildību par bojājumiem, ko radījis mūsu izstrādājums, ja:

- ir veikts nepareizs izstrādājuma remonts;
- izstrādājuma remonts ir veikts, izmantojot detaļas, ko nav nodrošinājis vai apstiprinājis ražotājs;
- izstrādājumam tiek pievienots piederums, ko nav nodrošinājis vai apstiprinājis ražotājs;
- izstrādājuma remonts nav veikts pilnvarotā remontdarbinīcā vai pie pilnvarota speciālista.

Drošība

Drošības definīcijas

Brīdinājumi, norādes "Uzmanību!" un piezīmes tiek izmantotas, lai izceltu īpaši svarīgas lietotāja rokasgrāmatas daļas.



BRĪDINĀJUMS: Tiek izmantota tad, ja rokasgrāmatā sniegto instrukciju neievērošanas dēļ operatoram vai blakus esošajām personām draud traumu vai nāves risks.



IEVĒROJIET: Tiek izmantota tad, ja rokasgrāmatā sniegto instrukciju neievērošanas dēļ rodas izstrādājuma, citu materiālu vai blakus esošās teritorijas bojājuma risks.

Piezīme: Tiek izmantota, lai sniegtu plašāku informāciju, kas nepieciešama attiecīgajā situācijā.

Vispārīgi norādījumi par drošību



BRĪDINĀJUMS: Pirms sākat lietot izstrādājumu, izlasiet tālāk izklāstītās brīdinājuma instrukcijas.

- Šis izstrādājums ir bīstams, ja to lieto nepareizi vai ja nerīkojaties piesardzīgi. Drošības instrukciju neievērošana var izraisīt traumas vai nāvi.
- Šis izstrādājums darbības laikā rada elektromagnētisko lauku. Noteiktos apstākļos šis lauks var traucēt aktīvā vai pasīvā medicīniskā implantāta darbību. Lai samazinātu nopietnas traumas gūšanas vai dzīvības zaudēšanas risku, mēs iesakām personām, kam ir medicīniskie implantāti, pirms šī izstrādājuma lietošanas konsultēties ar savu ārstu un medicīniskā implantāta ražotāju.
- Vienmēr rīkojieties piesardzīgi un saprātīgi. Ja neesat drošs par to, kā izmantot šo izstrādājumu

konkrētā situācijā, pārtrauciet darbu un sazinieties ar savu Husqvarna izplatītāju, pirms turpināt.

- Paturiet prātā, ka operators ir atbildīgs par negadījumiem, kuros iesaistītas citas personas.
- Gādājiet, lai izstrādājums ir tīrs. Pārļiecinieties, ka varat skaidri izlasīt zīmes un uzlīmes.
- Neļaujiet nevienai personai izmantot izstrādājumu, ja neesat pārļiecinājies, ka šī persona ir izlasījusi un izprot lietotāja rokasgrāmatas saturu.
- Neļaujiet bērniem lietot šo izstrādājumu.
- Bērni nedrīkst atrasties darba zonā. Tuvumā vienmēr jābūt pieaugušajam.
- Neļaujiet lietot izstrādājumu personai, kas nav iepazinusies ar lietošanas norādījumiem.
- Ja izstrādājumu izmanto persona ar samazinātām fiziskajām vai garīgajām spējām, vienmēr uzraugiet šo personu. Tuvumā vienmēr jābūt pieaugušajam.
- Neizmantojiet šo izstrādājumu, ja esat noguris, slims vai esat alkohola, narkotiku vai medikamentu izraisītā reibumā. Šāds stāvoklis negatīvi ietekmē jūsu redzi, modrību, koordināciju un spriestspēju.
- Neizmantojiet izstrādājumu, ja tas ir bojāts.
- Neveiciet izmaiņas šajā izstrādājumā un neizmantojiet to, ja ir iespējams, ka citas personas tajā ir veikušas izmaiņas.
- Nemainiet noregulēto dzinēja apgriezienu skaitu

Darba zonas drošība



BRĪDINĀJUMS: Pirms sākat lietot izstrādājumu, izlasiet tālāk izklāstītās brīdinājuma instrukcijas.

- Pirms izmantojat izstrādājumu, noņemiet no darba zonas priekšmetus, piemēram, zarus, žaģarus un akmeņus.
- Priekšmeti, kas saskaras ar griešanas ierīci, var atlēkt un nodarīt kaitējumu personām vai citiem priekšmetiem. Gādājiet, lai citi cilvēki un dzīvnieki atrastos drošā attālumā no izstrādājuma.
- Nekad neizmantojiet izstrādājumu sliktos laikapstākļos, piemēram, miglā, lietū, stiprā vējā,

lielā aukstumā un pastāvot zibeņošanas riskam. Izstrādājuma izmantošana sliktos laikapstākļos vai mitrā vai slapjā vietā ir nogurdinoša. Slikti laikapstākļi var izraisīt bīstamus apstākļus, piemēram, slidenas virsmas.

- Pārliecinieties, vai nav personu, priekšmetu un situāciju, kas varētu kavēt izstrādājuma drošu darbību.
- Uzmanīgi skatieties, vai nav šķēršļu, piemēram, sakņu, akmeņu, zaru, bedru un grāvju. Garā zālē var atrasties dažādi šķēršļi.
- Plaušana uz nogāzēm var būt bīstama. Neizmantojiet izstrādājumu uz virsmas, kuras slīpums pārsniedz 15°.
- Uz nogāzēm izstrādājumu izmantojiet garenvirzienā. Nepļaujiet uz augšu un uz leju.
- Esiet uzmanīgi, kad tuvojaties stūriem, aiz kuriem nekas nav redzams, un priekšmetiem, kas aizsedz skaidru skatu.

Darba drošība



BRĪDINĀJUMS: Pirms sākat lietot izstrādājumu, izlasiet tālāk izklāstītās brīdinājuma instrukcijas.

- Izmantojiet šo izstrādājumu tikai zālienu plaušanai. Izstrādājumu nav atļauts izmantot citu darbu veikšanai.
- Lietojiet individuālos aizsardzības līdzekļus. Skatiet šeit: *Individuālie aizsarglīdzekļi lpp. 195*.
- Pārliecinieties, vai zināt, kā ārkārtas situācijā ātri apturēt dzinēju.
- Nekad neiedarbiniet dzinēju slēgtās telpās vai uzliesmojošu materiālu tuvumā. Dzinēja izplūdes gāzes ir karstas, un tajās var būt dzirksteles, kas var izraisīt ugunsgrēku.
- Nedarbiniet izstrādājumu, ja asmens un visi pārsegi nav piestiprināti pareizi. Nepareizi piestiprināts asmens var kļūt vaļīgs un izraisīt traumas personai.
- Pārliecinieties, ka asmens neatsitas pret priekšmetiem, piemēram, akmeņiem un saknēm. Tas var sabojāt asmeni un saliekt dzinēja vārpstu. Saliekts asmens izraisa stipru vibrāciju un rada ļoti lielu risku, ka asmens kļūst vaļīgs.
- Ja asmens saskaras ar priekšmetu vai rodas spēcīgas vibrācijas, nekavējoties izslēdziet izstrādājumu. Atvienojiet aizdedzes vadu no aizdedzes sveces. Pārbaudiet, vai izstrādājumā nav bojājumu. Novērsiet bojājumus vai ļaujiet pilnvarotā servisa pārstāvim veikt remontu.
- Nekad nepiestipriniet dzinēja bremžu rokturi pastāvīgi rokturim, kad dzinējs ir iedarbināts.
- Novietojiet izstrādājumu uz stabilas, līdzsvarotā virsmas un iedarbiniet to. Pārliecinieties, vai asmens nepieskaras zemei vai citiem priekšmetiem.
- Darbinot izstrādājumu, vienmēr stāviet aiz tā.
- Darbinot izstrādājumu, raugiet, lai visi četri riteņi atrodas uz zemes un turiet rokturi ar abām rokām.

Turiet rokas un kājas drošā attālumā no rotējošajiem asmeņiem.

- Nekad nenolieciet izstrādājumu dzinēja darbības laikā.
- Esiet piesardzīgs, velkot izstrādājumu uz aizmuguri.
- Nekad neceliet izstrādājumu uz augšu dzinēja darbības laikā. Ja jums jāpaceļ izstrādājums, vispirms izslēdziet dzinēju un atvienojiet aizdedzes vadu no aizdedzes sveces.
- Neejiet atmuguriski izstrādājuma lietošanas laikā.
- Izslēdziet dzinēju, kad pārvietojaties pa teritorijām, ko neklāj zāle, piemēram, pa grants, akmens vai asfalta ceļiem.
- Nekad neskrieniet ar izstrādājumu dzinēja darbības laikā. Darbinot izstrādājumu, vienmēr ejiet.
- Apturiet dzinēju, pirms maināt griešanas augstumu. Nekad nemēģiniet veikt regulēšanas darbus dzinēja darbības laikā.
- Nekad neatstājiet izstrādājumu bez uzraudzības dzinēja darbības laikā. Izslēdziet dzinēju un pārliecinieties, vai griešanas ierīce nerotē.

Norādījumi par drošu darbu

Individuālie aizsarglīdzekļi



BRĪDINĀJUMS: Pirms sākat lietot izstrādājumu, izlasiet tālāk izklāstītās brīdinājuma instrukcijas.

- Šādi līdzekļi nevar pilnībā novērst traumu gūšanas risku, taču samazina traumu smaguma pakāpi, ja negadījums tomēr notiek. Ļaujiet izplatītajam palīdzēt jums izvēlēties pareizo aprīkojumu.
- Ja trokšņa līmenis ir augstāks par 85 dB, izmantojiet dzirdes aizsarglīdzekļus.
- Velciet izturīgas zābakus vai kurpes, kas neslīd. Nevelciet vaļējas kurpes un neejiet ar basām kājām.
- Velciet izturīgas garās bikses.
- Vajadzības gadījumā izmantojiet aizsargcimdus, piemēram, piestiprinot, pārbaudot vai frot griešanas aprīkojumu.

Izstrādājuma drošības ierīces



BRĪDINĀJUMS: Pirms sākat lietot izstrādājumu, izlasiet tālāk izklāstītās brīdinājuma instrukcijas.

- Nelietojiet izstrādājumu ar bojātām drošības ierīcēm.
- Regulāri pārbaudiet drošības ierīces. Ja drošības ierīces ir bojātas, sazinieties ar savu Husqvarna servisa pārstāvi.

Griezēja pārsega pārbaude

Griezēja pārsegs samazina izstrādājuma vibrācijas un asmens radītu ievainojumu gūšanas risku.

- Pārbaudiet griezēja pārsegu, lai pārliecinātos, vai nav bojājumu, piemēram, plaisu.

Siksnas aizsarga pārbaude

Siksnas aizsargs samazina traumu risku, kā arī nodrošina, ka bojāta piedziņas sikсна netiek izsviesta.

- Pārliecinieties, vai siksnas aizsargam nav bojājumu un vai tas ir pareizi piestiprināts. (Att. 13)

Siksnas aizsarga pārbaude

Siksnas aizsargs samazina traumu risku, kā arī nodrošina, ka bojāta piedziņas sikсна netiek izsviesta.

- Pārliecinieties, vai siksnas aizsargam nav bojājumu un vai tas ir pareizi piestiprināts. (Att. 14)

Dzinēja bremžu rokturis

Dzinēja bremžu rokturis aptur dzinēju. Atlaižot dzinēja bremžu rokturi, dzinējs apstājas.

Lai pārbaudītu dzinēja bremzes, iedarbiniet dzinēju un pēc tam atlaižiet dzinēja bremžu rokturi. Ja dzinējs neapstājas trīs sekundēs, lieciet pilnvarotā Husqvarna servisa pārstāvim noregulēt dzinēja bremzes.

(Att. 15)

Vibrāciju slāpēšanas sistēmas pārbaude



BRĪDINĀJUMS: Personām ar asinsrites traucējumiem pārmērīga atrašanās vibrāciju ietekmē var izraisīt asinsrites vai nervu sistēmas bojājumus. Ja jūtat pārmērīgas vibrāciju ietekmes simptomus, meklējiet medicīnisku palīdzību. Tie var būt šādi: tirpšana, nejutīgums, tirpas, dursīšana, sāpes, vājums vai izmaiņas ādas krāsā un stāvoklī. Šie simptomi parasti ir novērojami pirkstos, rokās vai locītavās.

Vibrāciju slāpēšanas sistēma izstrādājuma darbības laikā samazina rokturu vibrāciju līdz minimumam.

Tērauda caurule stūrē griezēja pārsegs samazina vibrāciju. Modelim KLIPPO LB 548S e ir arī 4 stūrei piestiprinātas vibrāciju slāpēšanas iekārtas.

- Pārbaudiet stūres un vibrāciju slāpēšanas iekārtas, lai pārliecinātos, vai tās nav bojātas. (Att. 16)

Naža adapteris

Naža adapteris samazina dzinēja vārpstas saliekšanās risku. Ja vārpsta trāpa kādam priekšmetam, nazis tiek virzīts pret naža adapteri. Kustība rada nodilumu uz naža adaptera virsmas. Nodilums norāda, ka dzinēja vārpstas aizsardzība darbojas pareizi.

Slāpētājs

Slāpētājs maksimāli mazina troksni un novirza motora izplūdes gāzes prom no operatora.

Nelietojiet izstrādājumu, ja slāpētājs nav piestiprināts vai ir bojāts. Bojāts slāpētājs palielina trokšņa līmeni un aizdegšanās risku.



BRĪDINĀJUMS: Lietošanas laikā, tūlīt pēc tās un tad, kad dzinējs darbojas tukšgaitā, slāpētājs ļoti uzkarst. Lai novērstu aizdegšanos, esiet piesardzīgs uzliesmojošu materiālu un/vai gāzu tuvumā.

Trokšņa slāpētāja pārbaude

- Regulāri pārbaudiet slāpētāju, lai pārliecinātos, ka tas ir pareizi piestiprināts un nav bojāts.

Drošības norādījumi, rīkojoties ar degvielu



BRĪDINĀJUMS: Pirms sākat lietot izstrādājumu, izlasiet tālāk izklāstītās brīdinājuma instrukcijas.

- Nelietojiet izstrādājumu, ja uz tā ir degviela vai dzinēja eļļa. Nofiriet nevēlamo degvielu/eļļu un ļaujiet izstrādājumam nožūt.
- Ja degviela ir nokļuvusi uz apģērba, nekavējoties pārgērbieties.
- Neļaujiet degvielai nonākt uz ķermeņa, jo tā var izraisīt savainojumus. Ja degviela ir nonākusi uz ķermeņa, izmantojiet ziepes un ūdeni, lai to nomazgātu.
- Nelietojiet izstrādājumu, ja dzinējā ir sūce. Regulāri pārbaudiet, vai dzinējam nav radusies sūce.
- Rīkojoties ar degvielu, esiet uzmanīgs. Degviela ir viegli uzliesmojoša, tās tvaiki ir sprādzienbīstami, un viņi izraisīt savainojumus vai nāvi.
- Neieelpojiet degvielas tvaikus, jo tie var izraisīt savainojumus. Pārliecinieties, vai gaisa plūsma ir pietiekama.
- Nesmēķējiet degvielas vai dzinēja tuvumā.
- Nenovietojiet siltus objektus degvielas vai dzinēja tuvumā.
- Nepievienojiet degvielu dzinēja darbības laikā.
- Pirms degvielas uzpildes pārliecinieties, vai dzinējs ir atdzisis.
- Pirms uzpildes lēni atveriet degvielas tvertnes vāciņu un uzmanīgi izlaidiet spiedienu.
- Neveiciet dzinēja degvielas uzpildi telpās. Nepietiekama gaisa plūsma var izraisīt savainojumus vai nāvi, nosmokot vai saindējoties ar oglekļa monoksīdu (tvana gāzi).
- Pilnībā piegrieziet degvielas tvertnes vāciņu. Ja degvielas tvertnes vāciņš nav piegriezts, pastāv aizdegšanās risks.
- Pirms iedarbināšanas pārvietojiet izstrādājumu vismaz 3 m (10 pēdas) no vietas, kur piepildījāt tvertni.
- Nepiepildiet degvielas tvertni pilnībā. Siltuma ietekmē degviela izplešas. Atstājiet degvielas tvertnes augšdaļu tukšu.

Norādījumi par drošu apkopi



BRĪDINĀJUMS: Pirms sākat lietot izstrādājumu, izlasiet tālāk izklāstītās brīdinājuma instrukcijas.

- Dzinēja gāzu izplūdes satur oglekļa monoksīdu, kas ir bezkrāsaina, indīga un ļoti bīstama gāze. Nedarbiniet dzinēju iekštelpās vai slēgtās telpās.
- Pirms veicat izstrādājuma apkopi, vispirms izslēdziet dzinēju un atvienojiet aizdedzes vadu no aizdedzes sveces.
- Veicot griešanas aprīkojuma apkopi, velciet aizsargcimdus. Asmens ir ļoti ass, un ar to var viegli sagriezties.

- Piederumi un pārveidojumi izstrādājumā, kurus ražotājs nav apstiprinājis, var izraisīt nopietnas traumas vai nāvi. Nepārveidojiet izstrādājumu.
- Izmantojiet tikai tādus piederumus, ko ir apstiprinājis ražotājs.
- Ja apkope netiek veikta pareizi un regulāri, traumu gūšanas risks un bojājumu izstrādājumam risks palielinās.
- Veiciet tikai to apkopi, kas norādīta īpašnieka rokasgrāmatā. Visi pārējie apkopes darbi jāveic pilnvarotā Husqvarna servisa pārstāvim.
- Ļaujiet pilnvarotā Husqvarna servisa pārstāvim regulāri veikt izstrādājuma apkopi.
- Nomainiet bojātās, nodilušās un salūzušās detaļas.

Montāža

Ievads



BRĪDINĀJUMS: Pirms montējat izstrādājumu, izlasiet nodaļu par drošību un pārlicinieties, vai saprotat to.



BRĪDINĀJUMS: Neņemiet aizdedzes sveces vadu no aizdedzes sveces, pirms montējat izstrādājumu.

Roktura uzstādīšana un regulēšana

1. Neņemiet roktura uzgriezni un paplāksni no plāksnes uz augšējā roktura.
2. Novietojiet augšējo rokturi pozīcijā virs apakšējā roktura.



IEVĒROJIET: Pārlicinieties, vai troses nesapinas un netiek bojātas.

3. Piestipriniet paplāksni un roktura uzgriezni. (Att. 17)
4. Pagrieziet rokturi uz sāniem, lai nodrošinātu piemērotu ekspluatācijas pozīciju, kad izstrādājumu ekspluatējat sienas tuvumā. (Att. 18)
5. Pagrieziet regulēšanas riteniņus uz šasijas, lai rokturi regulētu vertikāli. (Att. 19)

Mulčēšanas aizbāžņa montāža KLIPPO LB 448S, KLIPPO LB 548S e

1. Sasveriet izstrādājumu uz aizmuguri tā, lai aizdedzes svece būtu augšā.
2. Ievietojiet mulčēšanas aizbāžņa tapas atverēs no griezēja pārsega iekšpuses. (Att. 20)
3. Piestipriniet mulčēšanas aizbāžņa skrūves no griezēja pārsega ārpuses. (Att. 21)

Lietošana

Ievads



BRĪDINĀJUMS: Pirms sākat darbu ar produktu, izlasiet nodaļu par drošību un pārlicinieties, vai saprotat to.

Husqvarna Connect

Husqvarna Connect ir bezmaksas lietotne jūsu mobilajai ierīcei. Lietotne Husqvarna Connect nodrošina paplašinātas funkcijas jūsu Husqvarna izstrādājumam:

- Paplašināta izstrādājuma informācija.
- Informācija par izstrādājuma daļām un apkopi un palīdzība ar to.

Lai sāktu izmantot Husqvarna Connect

1. Lejupielādējiet Husqvarna Connect lietotni savā mobilajā ierīcē.
2. Reģistrējieties Husqvarna Connect lietotnē.
3. Izpildiet Husqvarna Connect lietotnē sniegtos norādījumus, lai savienotu un reģistrētu produktu.

Pirms izstrādājuma darbināšanas

1. Uzmanīgi izlasiet lietotāja rokasgrāmatu un pārlicinātos, vai tas ir pareizi piestiprināts un noregulēts. Skatiet šeit: *Griešanas aprīkojuma pārbaudīšana lpp. 200.*
2. Pārbaudiet griešanas aprīkojumu, lai pārlicinātos, vai tas ir pareizi piestiprināts un noregulēts. Skatiet šeit: *Griešanas aprīkojuma pārbaudīšana lpp. 200.*

3. Uzpildiet degvielas tvertni. Skatiet šeit: *Degvielas uzpildīšana lpp. 198.*
4. Uzpildiet degvielas tvertni un pārbaudiet eļļas līmeni. Skatiet šeit: *Eļļas līmeņa pārbaude lpp. 200.*

Degvielas uzpildīšana

Ja iespējams, izmantojiet zemu emisiju/alkilātu degvielu. Ja zemu emisiju/alkilātu benzīns nav pieejams, izmantojiet kvalitatīvu bezsvina benzīnu vai svīnu saturošu benzīnu, kura oktānskaitlis ir vismaz 90.



IEVĒROJIET: Neizmantojiet benzīnu, kura oktānskaitlis ir mazāks par 90 RON (87 AKI). Pretējā gadījumā izstrādājums var tikt bojāts.

1. Lēni atveriet degvielas tvertnes vāciņu, lai samazinātu spiedienu.
2. Lēni uzpildiet ar degvielas kannu. Ja esat izšķakstījis degvielu, noīriet to ar drāniņu un ļaujiet atlikušajai degvielai nožūt.
3. Noīriet vietu ap degvielas tvertnes vāciņu.
4. Pilnībā piegrieziet degvielas tvertnes vāciņu. Ja degvielas tvertnes vāciņš nav piegriezts, pastāv aizdegšanās risks.
5. Pirms iedarbināšanas pārvietojiet izstrādājumu vismaz 3 m (10 pēdu attālumā) no vietas, kur veicāt uzpildi.

Plaušanas augstuma regulēšana

Griešanas augstumu var noregulēt 6 līmeņos.

1. Lai palielinātu griešanas augstumu, pārvietojiet griešanas augstuma sviru uz priekšu.
2. Lai samazinātu griešanas augstumu, pārvietojiet griešanas augstuma sviru uz aizmuguri.



IEVĒROJIET: Neiestatiet griešanas augstumu pārāk zemu. Ja zāliena virsma nav līdzena, asmeņi var saskarties ar zemi.

Izstrādājuma iedarbināšana

1. Pārliecinieties, vai aizdedzes vads ir pievienots aizdedzes svecei.

Ievads



BRĪDINĀJUMS: Pirms veicat apkopi, izlasiet nodaļu par drošību un pārliecinieties, vai izprotat to.

Lai veiktu visus izstrādājuma apkopes un remonta darbus, ir nepieciešama īpaša apmācība. Mēs

2. Atveriet degvielas vārstu. (Att. 22)
3. Stāviet aiz izstrādājuma.
4. Turiet dzinēja bremžu rokturi pretī stūrei. (Att. 23)
5. Turiet startera auklas rokturi ar labo roku.
6. Lēni velciet startera auklu, līdz sajūtat pretestību.
7. Lai iedarbinātu dzinēju, spēcīgi to pavelciet.



BRĪDINĀJUMS: Netiniet startera auklu ap roku.



IEVĒROJIET: Neizvelciet startera auklu pilnībā. Neatļaidiet startera auklas rokturi, kad aukla izvilkta.

Piedziņas izmantošana riteņiem

- Bīdīet piedziņas sviru uz leju. (Att. 24)
- Pirms velkat izstrādājumu uz aizmuguri, atvienojiet piedziņu un pastumiet izstrādājumu uz priekšu aptuveni 10cm.
- Nedaudz atlaidiet dzinēja bremžu rokturi, lai atvienotu piedziņu, piemēram, ja ejat tuvu šķērslim.

Izstrādājuma izslēgšana

- Lai apstādinātu tikai piedziņu, nedaudz atlaidiet dzinēja bremžu rokturi.
- Lai apturētu dzinēju, pilnībā atlaidiet dzinēja bremžu rokturi.
- Aizveriet degvielas vārstu. (Att. 25)

Labā rezultāta panākšana

- Vienmēr lietojiet tikai asus asmeņus. Lietojot trulu asmeni, plaušanas rezultāts ir nevienmērīgs, un noplautā zāles virsma kļūst dzeltena. Ass asmens arī patērē mazāk enerģijas nekā truls asmens.
- Neplaujiet vairāk par 1/3 no zāles garuma. Vispirms plaujiet ar lielu plaušanas augstuma iestatījumu. Pārbaudiet rezultātu un nolaidiet plaušanas augstumu līdz pieņemamam līmenim. Ja zāle ir ļoti gara, plaujiet lēni un, ja nepieciešams, dariet to divreiz.
- Katru reizi plaujiet dažādos virzienus, lai zālienā neatstātu svītras.

Apkope

garantējam profesionāla remonta un apkopes pieejamību. Ja jūsu izplatītājs nav servisa pārstāvis, vērsieties pie viņa, lai iegūtu informāciju par tuvāko servisa pārstāvi.

Apkopes grafiks

Apkopes intervāli tiek aprēķināti atbilstoši izstrādājuma ikdienas lietošanai. Intervāli mainās, ja izstrādājumu neizmanto ikdienā.

Apkopei, kas atzīmēta ar zīmi *, skatiet instrukcijas sadaļā *Izstrādājuma drošības ierīces lpp. 195.*

Apkope	Katru dienu	Reizi nedēļā	Reizi mēnesī
Vispārējās pārbaudes veikšana	X		
Pārbaudiet eļļas līmeni	X		
Notīriet izstrādājumu	X		
Iztīriet gaisa filtru	X		
Pārbaudiet griešanas aprīkojumu	X		
Pārbaudiet griešanas pārsegu*	X		
Pārbaudiet dzinēja bremžu rokturi*	X		
Pārbaudiet slāpētāju*		X	
Pārbaudiet aizdedzes svenci		X	
Piedziņas siksnas bojājumu pārbaude			X
Pārnesumkārbas (reduktora) kartera tīrīšana			X
Nomainiet eļļu (pirmo reizi pēc 5 h lietošanas, pēc tam — ik pēc 25 h lietošanas un reizi gadā)			X
Nomainiet gaisa filtru.			X
Pārbaudiet degvielas sistēmu			X
Pārbaudiet un noregulējiet piedziņu (sajūga vadu)			X

Vispārējās pārbaudes veikšana

- Pārlicinieties, vai visi uzgriežņi un skrūves uz izstrādājuma ir pareizi pievilkti.

Produkta tīrīšana no ārpuses

- Izmantojiet suku, lai notīrītu lapas, zāli un netīrumus.
- Pārlicinieties, vai gaisa iekļūde dzinēja augšpusē nav bloķēta.
- Produktu nedrīkst skalot ar augstspiediena ūdens strūklu.
- Ja izstrādājuma tīrīšanai izmantojat ūdeni, neļiejiet to tieši uz dzinēja.

Griešanas pārsega iekšējās virsmas tīrīšana

1. Novietojiet izstrādājumu uz sāniem ar slāpētāju uz leju.



IEVĒROJIET: Novietojiet izstrādājumu ar gaisa filtru uz leju, var sabojāt dzinēju.

2. Ar šļūteni noskalojiet griešanas pārsega iekšējo virsmu.

Piedziņas siksnas pārbaude un pārnesumkārbas (reduktora) kartera tīrīšana

1. Noņemiet 4 skrūves uz siksnas aizsarga un noņemiet siksnas aizsargu. (Att. 26)
2. Pārbaudiet, vai piedziņas siksnā un siksnas skriemelis nav bojāti.
3. Izmantojiet suku, lai notīrītu lapas, zāli un netīrumus no pārnesumkārbas (reduktora) kartera. (Att. 27)

Piedziņas siksnas nomaiņa un regulēšana

1. Noņemiet 4 skrūves uz siksnas aizsarga un noņemiet siksnas aizsargu. (Att. 26)
2. Ievietojiet plakangala skrūvgriezi starp dekoratīvo disku un riteni uz izstrādājuma labā priekšējā riteņa.
3. Uzmaņīgi grieziet skrūvgriezi, lai noņemtu dekoratīvo disku.
4. Izņemiet riteņa skrūvi un noņemiet riteni. (Att. 28)
5. Noņemiet piedziņas siksnu no siksnas skriemeljem.
6. Pārlicinieties, vai siksnas skriemeļi kustas viegli uz ass.

7. Ja nepieciešams, uzsmidziniet dziļas iedarbības eļļu starp un aiz siksnas skrīmeļiem un ieeļļojiet asi.
8. Uzstādiet jaunu piedziņas siksnu un piestipriniet to pareizi pie lodīšu gultņa, pirms regulējat piedziņas siksnu. (Att. 29)
9. Pārvietojiet lodīšu gultni uz augšu vai leju, lai regulētu piedziņas siksnu. (Att. 30)

Piezīme: Jauna piedziņas siksnā pēc lietošanas kļūst garāka. Regulējiet piedziņas siksnu vēlreiz pēc vairākām darba stundām.

10. Pievienojiet siksnas aizsargu.
11. Eksploatējiet izstrādājumu, lai nodrošinātu, ka piedziņas siksnā ir pareizi uzstādīta un noregulēta.

Vidējās siksnas nomaiņa un regulēšana

1. Noņemiet asmeni.

Piezīme: Šis solis ir nepieciešams, ja regulējat tikai vidējo siksnu.

2. Atbrīvojiet regulēšanas skrūves par vairākiem apgriezieniem, bet neizņemiet tās. (Att. 31)
3. Nomainiet vidējo siksnu un mēreni piegrieziet regulēšanas skrūves.

Piezīme: Šis solis ir nepieciešams, ja regulējat tikai vidējo siksnu.

4. Pārvietojiet pārnēsumu uz priekšu vai atpakaļ, lai regulētu vidējo siksnu. (Att. 32)
5. Izmantojiet āķa svarus, lai pārbaudiet vidējās siksnas spriegojumu. Siksnas spriegojums ir pareizs, ja tā centrā var pārvietoties par 6–10 mm. Tas atbilst 3 kg rāvienam. (Att. 33)
6. Pilnībā pievelciet regulēšanas skrūves ar 3 Nm griezes momentu.
7. Eksploatējiet izstrādājumu, lai nodrošinātu, ka piedziņas siksnā ir pareizi uzstādīta un noregulēta.

Griešanas aprīkojuma pārbaudīšana



BRĪDINĀJUMS: Lai novērstu nejašu palaišanu, atvienojiet aizdedzes vadu no aizdedzes sveces.



BRĪDINĀJUMS: Veicot griešanas aprīkojuma apkopi, velciet aizsargcimdus. Asmens ir ļoti ass, un ar to var viegli sagriezties.

1. Pārbaudiet, vai griešanas aprīkojums nav bojāts vai iekļūstais. Vienmēr nomainiet bojātu griešanas ierīci.
2. Apskatiet asmeni, lai redzētu, vai tas nav bojāts vai truls.

Piezīme: Vajadzības gadījumā pēc asmens uzasināšanas to balansējiet. Ļaujiet servisa centram asināt, nomainīt un balansēt asmeni. Ja saskaraties ar šķērslī, kas liek izstrādājumam apstāties, nomainiet bojāto asmeni. Lai apkopes centra pārstāvis novērtēt, vai asmens ir jāuzasina, vai arī tas ir jānomaina.

Asmens nomaiņšana

1. Bloķējiet asmeni ar koka klucīti. (Att. 34)
2. Izņemiet asmens skrūvi, atsperi, noņemiet paplāksni un asmeni. (Att. 35)
3. Pārbaudiet, vai naža adapteris un asmens skrūve nav bojāti.
 - a) Ja nomaināt naža adaptera asmeni, nomainiet arī asmens skrūvi, atsperes paplāksni un berzes paplāksni.
4. Pārbaudiet dzinēja vārpstu, lai pārliecinātos, vai tā nav saliekta.
5. Kad piestiprināt jauno asmeni, pārliecinieties, vai saliekte gali ir vērsti griešanas pārsega virzienā. (Att. 36)
6. Novietojiet berzes paplāksni un asmeni pret asmens atbalstu. (Att. 37)
7. Pārliecinieties, vai asmens ir salāgots ar dzinēja vārpstas centru. (Att. 38)
8. Bloķējiet asmeni ar koka klucīti. (Att. 39)
9. Piestipriniet atsperpaplāksni un piegrieziet skrūvi ar 80 Nm griezes momentu. (Att. 40)
10. Ar roku pagrieziet asmeni un pārbaudiet, vai tas griežas brīvi.



BRĪDINĀJUMS: Lietojiet aizsargcimdus. Asmens ir ļoti ass, un ar to var viegli sagriezties.

11. Iedarbiniet izstrādājumu, lai pārbaudītu asmeni. Ja asmens nav pareizi piestiprināts, izstrādājums vibrē vai plaušanas rezultāts nav apmierinošs.

Eļļas līmeņa pārbaude



IEVĒROJIET: Pārāk zems eļļas līmenis var izraisīt dzinēja bojājumus. Pirms iedarbināt izstrādājumu, pārbaudiet eļļas līmeni.

1. Novietojiet izstrādājumu uz līdzenas virsmas.
2. Aizveriet degvielas vārstu.
3. Noņemiet eļļas tvertnes vāciņu ar piestiprināto mērstieni.
4. Noīrīet no mērstieņa eļļu.
5. Ievietojiet mērstieni eļļas tvertnē, bet nepieņemiet eļļas tvertnes vāciņu pārāk cieši.
6. Izņemiet mērstieni.

- Pārbaudiet eļļas līmeni uz mērstieņa.
- Ja eļļas līmenis ir pārāk zems, uzpildiet dzinēja eļļu un pārbaudiet eļļas līmeni vēlreiz. Eļļas līmenis ir pareizs, kad tas ir pie augšējās mērstieņa atzīmes.

Dzinēja eļļas nomaīņa



BRĪDINĀJUMS: Uzreiz pēc motora izslēgšanas dzinēja eļļa ir ļoti karsta. Ļaujiet dzinējam atdzist, pirms noliejat dzinēja eļļu. Ja esat uzšļakstījies dzinēja eļļu uz ādas, nomazgājiet to ar ziepēm un ūdeni.

- Darbiniet izstrādājumu, līdz degvielas tvertne ir tukša.
- Atvienojiet aizdedzes vadu no aizdedzes sveces.
- Noņemiet eļļas tvertnes vāciņu.
- Novietojiet trauku zem izstrādājuma, lai savāktu dzinēja eļļu.
- Sasveriet izstrādājumu, lai nolietu dzinēja eļļu no eļļas tvertnes.
- Uzpildiet ar vajadzīgā veida jaunu dzinēja eļļu, kas ieteikta sadaļā *Tehniskie dati lpp. 202*.
- Pārbaudiet eļļas līmeni. Skatiet šeit: *Eļļas līmeņa pārbaude lpp. 200*.

Gaisa filtra tīrīšana



IEVĒROJIET: Nedarbiniet dzinēju, ja nav pievienots gaisa filtrs vai ja gaisa filtrs ir netīrs.



IEVĒROJIET: Ja gaisa filtru nevar pilnībā iztīrīt vai tas ir bojāts, nomainiet to. Defektīvs gaisa filtrs rada dzinēja bojājumus.

- Nospiediet aiztures izciļņus (A), noņemiet gaisa filtra vāku (B) un izņemiet gaisa filtru (C). (Att. 41)
- Sitiet gaisa filtru pret cietu virsmu vai pūtiat saspiestu gaisu caur gaisa filtru no gaisa filtra tīrās puses.



IEVĒROJIET: Neizmantojiet suku, lai noņemtu netīrumus, jo tādējādi netīrumi tiek iespiesti gaisa filtrā.

- Tīriet gaisa filtra turētāju (D) un gaisa filtra vāku ar mitru drānu.



IEVĒROJIET: Pārliedzinieties, vai gaisa cauruļvadā (E) nieķiķūst netīrumi.

- Uzstādiet gaisa filtru. Pārliedzinieties, vai gaisa filtrs pilnībā atbalstās pret gaisa filtra turētāju.
- Uzstādiet gaisa filtra vāku ar apakšējām tapām vispirms.

Aizdedzes sveces pārbaude



IEVĒROJIET: Vienmēr lietojiet ieteikto aizdedzes sveces tipu. Nepiemērota aizdedzes svece var radīt izstrādājuma bojājumus.

- Pārbaudiet aizdedzes sveci, ja dzinējam nepietiek jaudas, dzinēju nevar viegli iedarbināt vai arī tas nedarbojas pareizi tukšgaitā.
- Lai samazinātu nevēlamu materiālu uzkrāšanos uz aizdedzes sveces elektrodiem, ievērojiet turpmākos norādījumus.
 - Pārliedzinieties, vai tukšgaitas apgriezīnu skaits ir noregulēts pareizi.
 - Pārliedzinieties, vai degvielas maisījums ir atbilstošs.
 - Pārliedzinieties, vai gaisa filtrs ir tīrs.
- Ja aizdedzes svece ir netīra, notīriet to un pārbaudiet, vai atstatums starp elektrodiem ir pareizs; skatiet šeit: *Tehniskie dati lpp. 202*. (Att. 42)
- Ja nepieciešams, nomainiet aizdedzes sveci.

Degvielas sistēmas pārbaude

- Pārbaudiet degvielas tvertnes vāciņu un degvielas tvertnes vāciņa blīvi, lai pārliedzinātos, vai nav bojājumu.
- Pārbaudiet degvielas šļūtenes, lai pārbaudītu, vai nav noplūdes. Ja degvielas šļūtene ir bojāta, ļaujiet servisa pārstāvim to nomainīt.

Sajūga vada regulēšana

Ja šķiet, ka braukšana notiek lēni, ir jānoregulē sajūga vads.

- Grieziet regulēšanas skrūvi. (Att. 43)

Sajūga trose ir pareizi noregulēta, kad sajūga troses kronšteins ir izlīdzināts ar uzgriezni.

(Att. 44)

Pārvadāšana, glabāšana un utilizēšana

Transportēšana un glabāšana

- Attiecībā uz izstrādājuma un degvielas glabāšanu un transportēšanu pārliedzinieties, vai nav noplūdes vai tvaiku. Dzirksoteles vai atklātas liesmas, ko rada,

piemēram, elektroierīces vai tvaika katli, var izraisīt ugunsgrēku.

- Vienmēr izmantojiet apstiprinātas tvertnes degvielas glabāšanai un transportēšanai.

- Iztukšojiet degvielas tvertni, pirms novietojat izstrādājumu glabāšanai uz ilgāku laiku. Nododiet degvielu piemērojamā utilizēšanas vietā.
- Transportēšanas laikā droši nostipriniet izstrādājumu, lai novērstu bojājumus un negadījumus.
- Glabājiet izstrādājumu norobežotā vietā, lai novērstu to, ka tam var piekļūt bērni vai personas, kam tas nav atļauts.
- Glabājiet izstrādājumu sausā vietā, kurā temperatūra nepazeminās zem 0°C.

Utilizēšana

- Ievērojiet vietējās pārstrādes prasības un piemērojamus noteikumus.
- Utilizējiet visas ķīmikālijas, piemēram, dzinēja eļļu vai degvielu, servisa centrā vai piemērojamā utilizācijas vietā.
- Kad izstrādājums vairs netiek izmantots, nosūtiet to Husqvarna izplatītājam vai nogādājiet to pārstrādes vietā.

Tehniskie dati

Tehniskie dati

	KLIPPO LB 448S	KLIPPO LB 453S	KLIPPO LB 548S e
Dzinējs			
Zīmols	"Honda"	"Honda"	"Honda"
Dzinēja tilpums, cm ³	145	166	166
Ātrums, apgriezieni minūtē	2900	2900	2900
Dzinēja nomināljauda, kW ⁷⁶	2.7	3.3	3.3
Aizdedzes sistēma			
Aizdedzes svece	NGK BPR5ES	NGK BPR5ES	NGK BPR5ES
Atstarpe starp elektrodiem, mm	0,7–0,8	0,7–0,8	0,7–0,8
Degvielas un eļļošanas sistēma			
Degvielas tvertnes ietilpība, litri	0,9	0,9	0,9
Eļļas tvertnes tilpums, litros	0,55	0,5	0,55
Dzinēja eļļa ⁷⁷	SAE 10W-30	SAE 10W-30	SAE 10W-30
Svars			
Svars ar tukšu tvertni, kg	30.5	33	32.5
Trokšņa emisija ⁷⁸			
Skaņas jaudas līmenis, izmērītais dB (A)	90	91	90
Skaņas jaudas līmenis, garantētais L _{WA} dB (A)	91	94	91

⁷⁶ Maksimāli pieļaujamā dzinēja jauda ir vidējā tipiskā ražošanas dzinēja neto jauda (pēc noteiktajiem apgr./min.) dzinēja modelim, kas mērita pēc SAE standarta J1349/ISO1585. Vairākumam dzinēju šis lielums var atšķirties no šeit norādītā. Faktiskā izejas jauda dzinējam, kas uzstādīts gala izstrādājumam, būs atkarīga no darbības ātruma, vides apstākļiem un citiem lielumiem.

⁷⁷ Izmantojiet SG–SH kvalitātes dzinēja eļļu. Skatieties viskozitātes tabulu dzinēja ražotāja rokasgrāmatā un izvēlieties piemērotāko viskozitātes līmeni atbilstoši paredzamajai āra temperatūrai.

⁷⁸ Atbilstoši EK direktīvai 2000/14/EK trokšņa emisija apkārtņē ir mērīta kā trokšņa jauda (L_{WA}).

	KLIPPO LB 448S	KLIPPO LB 453S	KLIPPO LB 548S e
Skaņas līmeņi ⁷⁹			
Skaņas spiediena līmenis pie operatora auss, dB(A)	77	78	78
Vibrācijas līmeņi, a_{hveq} ⁸⁰			
Rokturis, m/s^2	4.5	5,3	4.8
Griešanas ierīce			
Griešanas augstums, mm	30-60	30-60	30-60
Pļaušanas platums, cm	480	530	480
Asmens	Mulčēšanas — 48 cm 5028813-10	Mulčēšanas — 53 cm 5028814-10	Mulčēšanas — 48 cm 5028813-10
Braukšana			
Ātrums, km/h	4.5	4.5	4.5

⁷⁹ Skaņas spiediena līmenis atbilstoši standartam ISO 5395. Sniegtajos datos par skaņas spiediena līmeni ir tipiska statistiskā izkliede 1,2 dB(A) (standartnovirze).

⁸⁰ Vibrāciju līmenis atbilstoši ISO 5395. Sniegtajos datos par vibrācijas līmeni tipiska statistiskā izkliede ir 0,2 m/s^2 (standarta novirze).

EK atbilstības deklarācija

EK atbilstības deklarācija

Husqvarna AB, SE-561 82 Huskvarna, Zviedrija, tālr. nr.: +46-36-146500, apliecina, ka **zāles pļāvēji Husqvarna, KLIPPO LB 448S, KLIPPO LB 453S, KLIPPO LB 548S** e, sākot no sērijas numura 2020xxxxxxx un tālāk, atbilst PADOMES DIREKTĪVAS prasībām:

- 2006. gada 17. maijs, Direktīva **2006/42/EK**, "par mašīnu tehniku";
- 2014. gada 26. februāra direktīva **2014/30/ES** "par elektromagnētisko saderību";
- 2000. gada 8. maija direktīva **2000/14/EK** "par trokšņa emisiju vidē".
- 2011. gada 8. jūnija direktīva **2011/65/ES** par "dažu bīstamu vielu izmantošanas ierobežošanu elektriskās un elektroniskās iekārtās".

Lai iegūtu informāciju par trokšņa emisijām, skatiet sadaļu "Tehniskie dati".

Tiek piemēroti tālāk norādītie standarti.

EN ISO 5395-1, EN ISO 5395-2, EN ISO 5395-2 Amd1, EN ISO 5395-2 Amd 2, EN 55012, EN 50581:2012

Ja nav norādīts citādi, ir spēkā iepriekš uzskaitīto standartu jaunākās publicētās versijas.

Pieteikuma iesniedzējs **0404, RISE SMP Svensk Maskinprovning AB, Box 7035, SE-750 07 Uppsala** ir sniedzis ziņojumus par atbilstības novērtējumu saskaņā ar PADOMES 2000. gada 8. maija DIREKTĪVAS 2000/14/EK par trokšņu emisijām vidē VI pielikumu.

Huskvarna, 2020-09-16



Claes Losdal, nodaļas vadītājs/dārzkopības izstrādājumi
(Pilnvarotais Husqvarna AB pārstāvis, kas atbild par tehnisko dokumentāciju)

Inhoud

Inleiding.....	205	Onderhoud.....	211
Veiligheid.....	206	Vervoer, opslag en verwerking.....	214
Montage.....	209	Technische gegevens.....	214
Werking.....	210	EG verklaring van overeenstemming.....	216

Inleiding

Productbeschrijving

Het product is een roterende duwmaaier die BioClip® gebruikt om het gras te snijden tot meststof.

Productoverzicht

(Fig. 1)

1. Hendel / handgreep
2. Remhendel motor
3. Aandrijfhendel
4. Starthendel
5. Oliedop
6. Riembescherming
7. Geluiddemper
8. Bougie
9. Riembescherming
10. Brandstoftank
11. Hendel voor de hoekverstelling van de handgreep
12. Trillingdempingssysteem
13. Afstelling koppelingskabel
14. Onderste hendel
15. Maaihoogtehendel
16. Brandstofklep
17. Luchtfilter
18. Kap van maaidek
19. Veerring
20. Mesbout
21. Mes
22. Messteun
23. Mulchplug (KLIPPO LB 448S, KLIPPO LB 548S e)
24. Bedieningshandleiding

Symbolen op het product

- (Fig. 2) **WAARSCHUWING:** Onzorgvuldig of onjuist gebruik kan leiden tot letsel of overlijden van de gebruiker of anderen.
- (Fig. 3) Lees de bedieningshandleiding zorgvuldig door en zorg dat u de instructies hebt begrepen voordat u het product gebruikt.
- (Fig. 4) Kijk uit voor weggeslingerde en afgeketste voorwerpen.

Gebruik

Gebruik het product om gras te maaien. Gebruik het product niet voor andere taken.

- (Fig. 5) Houd personen en dieren op veilige afstand van het werkgebied.
- (Fig. 6) Zet de motor uit en verwijder de ontstekingskabel voordat u reparaties of onderhoud uitvoert.
- (Fig. 7) **Waarschuwing:** Houd handen en voeten uit de buurt van draaiende onderdelen.
- (Fig. 8) **Waarschuwing:** Houd handen en voeten uit de buurt van het roterende mes.
- (Fig. 9) Dit product voldoet aan de geldende EG-richtlijnen.
- (Fig. 10) Geluidsemissies naar de omgeving volgens de Europese richtlijn 2000/14/EG en de wetgeving van Nieuw-Zuid-Wales "Protection of the Environment Operations (Noise Control) Regulation 2017". De geluidsemissiegegevens vindt u op het machinelabel en in het hoofdstuk Technische gegevens.
- (Fig. 11) Scanbare code.

Let op: Andere symbolen/stickers op het product hebben betrekking op certificeringseisen voor een aantal commerciële markten.

Sticker op het product, alleen voor Australië en Nieuw-Zeeland

- (Fig. 12) Houd handen en voeten uit de buurt van het roterende mes.

Euro V-emissies



WAARSCHUWING: De EU-typegoedkeuring van dit product vervalt als ongeoorloofde wijzigingen aan de motor aangebracht worden.

Productaansprakelijkheid

Zoals uiteengezet in de wet voor productaansprakelijkheid zijn wij niet aansprakelijk voor schade die door ons product wordt veroorzaakt, indien:

- het product niet goed is gerepareerd.
 - het product is gerepareerd met onderdelen die niet van de fabrikant afkomstig zijn, of onderdelen die niet zijn goedgekeurd door de fabrikant.
 - het product een accessoire bevat dat niet afkomstig is van de fabrikant of niet is goedgekeurd door de fabrikant.
 - het product niet is gerepareerd door een erkend servicepunt of door een erkende autoriteit.
-

Veiligheid

Veiligheidsdefinitie

Waarschuwingen, voorzorgsmaatregelen en opmerkingen worden gebruikt om te wijzen op belangrijke delen van de handleiding.



WAARSCHUWING: Wordt gebruikt om te wijzen op de kans op ernstig of fataal letsel voor de gebruiker of omstanders wanneer de instructies in de handleiding niet worden gevolgd.



OPGELET: Wordt gebruikt indien er een risico bestaat op schade aan het product en andere eigendommen of aan de omgeving wanneer de instructies in de handleiding niet worden gevolgd.

Let op: Geven verdere informatie die nodig is in een bepaalde situatie.

Algemene veiligheidsinstructies



WAARSCHUWING: Lees de volgende waarschuwingen voordat u het product gaat gebruiken.

- Dit product is gevaarlijk als het verkeerd wordt gebruikt, of als u niet voorzichtig bent. Letsel of overlijden kunnen het gevolg zijn als u de veiligheidsvoorschriften negeert.
- Dit product produceert tijdens bedrijf een elektromagnetisch veld. Dit veld kan onder bepaalde omstandigheden de werking van actieve of passieve medische implantaten verstoren. Om het risico op ernstig of dodelijk letsel te beperken, raden we personen met een medisch implantaat aan om contact op te nemen met hun arts en de fabrikant van het medische implantaat alvorens dit product te gaan gebruiken.
- Wees altijd voorzichtig en gebruik uw gezond verstand. Als u niet zeker weet hoe u het product

moet bedienen in een bepaalde situatie, stop dan en informeer bij uw Husqvarna dealer voordat u verdergaat.

- Denk erom dat de bediener of gebruiker verantwoordelijk is voor ongelukken of beschadigingen aan eigendommen.
- Houd het product schoon. Zorg ervoor dat u de aanduidingen en stickers duidelijk kunt lezen.
- Laat niemand het product gebruiken tenzij u zeker weet dat deze de inhoud van de gebruikershandleiding hebben gelezen en begrepen.
- Laat het product niet door een kind bedienen.
- Houd kinderen uit het werkgebied. Er moet te allen tijde een verantwoordelijke volwassene aanwezig zijn.
- Laat het product niet bedienen door een persoon die de instructies niet heeft gelezen.
- Houd personen met een lichamelijke of geestelijke beperking die het product gebruiken, altijd in de gaten. Er moet te allen tijde een verantwoordelijke volwassene aanwezig zijn.
- Gebruik het product nooit als u moe of ziek bent, of onder invloed van alcohol, drugs of medicijnen verkeert. Dit heeft een negatief effect op uw visie, alertheid, coördinatie en oordeel.
- Gebruik het product niet als het defect is.
- Wijzig dit product niet of gebruik het niet als het door anderen kan zijn gewijzigd.
- Wijzig de afstelling voor de motortoerentalregeling niet.

Veiligheid van het werkgebied



WAARSCHUWING: Lees de volgende waarschuwingen voordat u het product gaat gebruiken.

- Verwijder objecten zoals takken, twigen en stenen uit het werkgebied voordat u het product gaat gebruiken.
- Objecten die tegen de snijuitrusting aankomen, kunnen worden uitgeworpen en schade veroorzaken

aan personen en objecten. Houd omstanders en dieren op veilige afstand van het product.

- Gebruik het product nooit in slechte weersomstandigheden zoals mist, regen, sterke wind, hevige kou of als er gevaar is voor blikseminslag. Het gebruik van dit product bij slecht weer of op vochtige of natte plaatsen is vermoeiend. Slecht weer kan leiden tot gevaarlijke situaties zoals gladde ondergronden.
- Kijk uit voor personen, objecten en situaties die een veilig gebruik van het product kunnen verhinderen.
- Kijk uit voor obstakels zoals wortels, stenen, takjes, kuilen en greppels. Obstakels kunnen moeilijk te zien zijn door hoog gras.
- Gras maaien op hellingen kan gevaarlijk zijn. Gebruik het product niet op een helling van meer dan 15°.
- Gebruik het product dwars over het oppervlak van hellingen. Ga niet van boven naar beneden.
- Wees voorzichtig wanneer u in de buurt komt van onoverzichtelijke bochten en voorwerpen die uw zicht kunnen belemmeren.

Werkveiligheid



WAARSCHUWING: Lees de volgende waarschuwingen voordat u het product gaat gebruiken.

- Gebruik dit product alleen om gazons te maaien. Het is niet toegestaan om het product voor andere doeleinden te gebruiken.
- Maak altijd gebruik van persoonlijke beschermingsmiddelen. Zie *Persoonlijke beschermingsuitrusting* op pagina 207.
- Zorg ervoor dat u weet hoe u de motor in een noodsituatie snel kunt stoppen.
- Start de motor nooit in een gesloten ruimte of in de buurt van brandbaar materiaal. De uitlaatdampen van de motor zijn heet en kunnen vonken bevatten die brand kunnen veroorzaken.
- Gebruik dit product alleen als het mes en alle afdekkingen correct zijn bevestigd. Een verkeerd bevestigd mes kan losraken en letsel veroorzaken.
- Zorg ervoor dat het mes geen voorwerpen raakt zoals stenen en wortels. Hierdoor kan het mes beschadigen en de motoras verbuigen. Een gebogen as veroorzaakt zware trillingen en een zeer groot risico dat het mes losraakt.
- Stop het product onmiddellijk als het mes een voorwerp wordt geraakt of als zich trillingen voordoen. Ontkoppel de ontstekingskabel van de bougie. Controleer het product op schade. Repareer schade of laat een erkende servicewerkplaats de reparatie uitvoeren.
- Bevestig de motorremhendel nooit permanent aan de handgreep wanneer de motor wordt gestart.
- Plaats het product op een stabiele, vlakke ondergrond en start het. Zorg ervoor dat het mes

niet in aanraking komt met de grond of andere voorwerpen.

- Blijf altijd achter het product wanneer u het gebruikt.
- Zorg dat alle wielen op de grond blijven en houd 2 handen op de handgreep tijdens de bediening van het product. Houd uw handen en voeten uit de buurt van de roterende messen.
- Kantel het product niet terwijl de motor draait.
- Wees voorzichtig wanneer u het product naar achteren trekt.
- Til het product nooit op terwijl de motor draait. Als het product toch moet worden opgetild, zet dan eerst de motor uit en ontkoppel de ontstekingskabel van de bougie.
- Loop niet achteruit wanneer u het product bedient.
- Stop de motor als u in gebieden zonder gras komt, bijvoorbeeld op paden van grind, stenen en asfalt.
- Loop niet hard met het product wanneer de motor is ingeschakeld. Loop altijd rustig wanneer u het product bedient.
- Zet de motor uit voordat u de maaihoogte wijzigt. Voer nooit afstellingen uit terwijl de motor draait.
- Houd altijd toezicht op het product wanneer de motor draait. Schakel de motor uit en zorg ervoor dat de snijuitrusting niet draait.

Veiligheidsinstructies voor bediening

Persoonlijke beschermingsuitrusting



WAARSCHUWING: Lees de volgende waarschuwingen voordat u het product gaat gebruiken.

- Persoonlijke beschermingsuitrusting kunnen niet alle risico's uitsluiten maar kunnen de ernst van eventueel letsel helpen beperken. Vraag uw dealer u te helpen bij het kiezen van de juiste beschermingsmiddelen.
- Gebruik gehoorbescherming als het geluidsniveau hoger is dan 85 dB.
- Gebruik zware anti-slipplaaizen of -schoenen. Draag geen open schoenen en loop niet op blote voeten.
- Draag een lange broek van stevige stof.
- Draag zo nodig beschermende handschoenen, bijvoorbeeld bij het monteren, inspecteren of reinigen van de snijuitrusting.

Veiligheidsvoorzieningen op het product



WAARSCHUWING: Lees de volgende waarschuwingen voordat u het product gaat gebruiken.

- Gebruik het product nooit wanneer de veiligheidsvoorzieningen defect zijn.
- Controleer de veiligheidsvoorzieningen regelmatig op een juiste werking. Als de

veiligheidsvoorzieningen defect zijn, neem dan contact op met uw Husqvarna servicewerkplaats.

De kap van het maaidek controleren

De kap van het maaidek vermindert trillingen in het product en vermindert het risico op letsel door het mes.

- Controleer de kap van het maaidek om te zien of er geen schade is, zoals barsten.

De riembescherming controleren

De riembescherming vermindert het risico op letsel en zorgt ervoor dat een gebroken aandrijfriem niet wordt weggeslingerd.

- Controleer of de riembescherming niet is beschadigd en of deze goed is bevestigd. (Fig. 13)

De riembescherming controleren

De riembescherming vermindert het risico op letsel en zorgt ervoor dat een gebroken aandrijfriem niet wordt weggeslingerd.

- Controleer of de riembescherming niet is beschadigd en of deze goed is bevestigd. (Fig. 14)

Remhendel motor

De motorrem schakelt de motor uit. Als de remhendel van de motor wordt losgelaten, stopt de motor.

Voor een inspectie van de motorrem start u de motor en laat de motorremhendel los. Als de motor niet binnen 3 seconden stopt, laat u een erkende Husqvarna servicewerkplaats de motorrem afstellen.

(Fig. 15)

Trillingsdempingssysteem controleren



WAARSCHUWING: Overmatige blootstelling aan trillingen kan bloedvat- en zenuwbeschadigingen veroorzaken bij personen met een verminderde bloedcirculatie. Consulteer een arts wanneer u symptomen heeft die wijzen op te grote blootstelling aan trillingen. Dergelijke symptomen zijn slapende vingers e.d., geen gevoel, "kriebelend" gevoel, "speldenprikken", pijn, geen of weinig kracht, huidverkleuringen of veranderingen van het huidoppervlak. Deze symptomen worden meestal waargenomen in de vingers, handen of polsen.

Het trillingsdempingssysteem vermindert trillingen in de hendel tijdens bedrijf.

De stalen buis in de handgreep en de kap van het maaidek verminderen trillingen. KLIPPO LB 548S e heeft ook 4 trillingsdempers die aan de handgreep zijn bevestigd.

- Controleer de handgreep en de trillingsdempers om er zeker van te zijn dat ze niet zijn beschadigd. (Fig. 16)

Messteun

De messteun vermindert het risico dat de motoras buigt. Als het mes een object raakt, beweegt het mes tegen de messteun. De beweging veroorzaakt slijtage op het oppervlak van de messteun. De slijtage toont aan dat de bescherming van de motoras correct functioneert.

Geluiddemper

De uitlaatdemper is bedoeld om het geluidsniveau zo laag mogelijk te houden en om de uitlaatgassen weg te voeren van de gebruiker.

Gebruik het product niet als de demper ontbreekt of beschadigd is. Bij een defecte uitlaatdemper stijgt het geluidsniveau en neemt het risico op brand toe.



WAARSCHUWING: De uitlaatdemper wordt erg heet tijdens en na gebruik en wanneer de motor draait bij stationair toerental. Wees voorzichtig in de buurt van brandbare materialen en/of dampen om brand te voorkomen.

Geluiddemper controleren

- Inspecteer de uitlaatdemper regelmatig om te verifiëren of die goed vastzit en niet beschadigd is.

Brandstofveiligheid



WAARSCHUWING: Lees de volgende waarschuwingen voordat u het product gaat gebruiken.

- Start het product niet als er brandstof of motorolie op het product aanwezig is. Verwijder de ongewenste brandstof/olie en laat het product drogen.
- Als u brandstof op uw kleding morst, trek dan direct andere kleding aan.
- Zorg dat er geen brandstof op uw lichaam terecht komt, dit kan letsel veroorzaken. Als er brandstof op uw lichaam terecht komt, verwijder deze dan met water en zeep.
- Start het product niet als er sprake is van een motorlekkage. Controleer de motor regelmatig op lekkage.
- Wees voorzichtig met brandstof. Brandstof is licht ontvlambaar en de dampen zijn explosief. Ze kunnen letsel veroorzaken of leiden tot de dood.
- Adem geen brandstofdampen in, dit kan letsel veroorzaken. Zorg voor voldoende ventilatie.
- Rook niet in de buurt van de brandstof of de motor.
- Plaats geen warme voorwerpen in de buurt van de brandstof of de motor.

- Vul geen brandstof bij terwijl de motor is ingeschakeld.
- Zorg ervoor dat de motor koud is wanneer u brandstof bijvult.
- Draai de tankdop langzaam open en laat de druk voorzichtig ontsnappen voordat u brandstof bijvult.
- Vul geen brandstof voor de motor bij in een afgesloten ruimte. Onvoldoende ventilatie kan leiden tot ernstig letsel of de dood door verstikking of het inademen van koolmonoxide.
- Draai de tankdop volledig aan. Als de tankdop niet volledig is aangedraaid, bestaat een risico op brand.
- Verplaats het product minstens 3 m van de plaats waar u de brandstoftank hebt gevuld, voordat u het product start.
- Vul de brandstoftank niet volledig. Door hitte zet de brandstof uit. Zorg ervoor dat er ruimte overblijft aan de bovenkant van de brandstoftank.
- Voordat u het onderhoud van het product uitvoert, zet u de motor uit en verwijdert u de ontstekingskabel van de bougie.
- Draag beschermende handschoenen wanneer u onderhoud aan de snijtrusting uitvoert. Het mes is zeer scherp en kan gemakkelijk snijwonden veroorzaken.
- Accessoires en wijzigingen aan het product die niet zijn goedgekeurd door de fabrikant, kunnen leiden tot ernstig letsel of overlijden. Breng geen wijzigingen aan het product aan. Gebruik alleen accessoires die zijn goedgekeurd door de fabrikant.
- Als het onderhoud niet correct en regelmatig wordt uitgevoerd, neemt de kans op letsel of schade aan het product toe.
- Voer alleen onderhoud uit zoals beschreven in deze gebruikershandleiding. Alle overige onderhoudswerkzaamheden moeten worden uitgevoerd door een erkende Husqvarna servicewerkplaats.
- Laat een erkende Husqvarna servicewerkplaats regelmatig onderhoud aan het product uitvoeren.
- Vervang beschadigde, versleten of defecte onderdelen.

Veiligheidsinstructies voor onderhoud



WAARSCHUWING: Lees de volgende waarschuwingen voordat u het product gaat gebruiken.

- Uitlaatgassen van de motor bevatten koolmonoxide, een geurloos, giftig en uiterst gevaarlijk gas. Start de motor nooit binnenshuis of in gesloten ruimten.

Montage

Inleiding



WAARSCHUWING: Voordat u het product gaat monteren, dient u het hoofdstuk over veiligheid te lezen en hebben begrepen.



WAARSCHUWING: Verwijder de bougiekabel van de bougie voordat u het product monteert.

Hendel monteren en afstellen

1. Verwijder de moer en de ring van de plaat op de bovenste hendel.
2. Zet de bovenste hendel op zijn plaats op de onderste hendel.



OPGELET: Zorg ervoor dat de draden niet bekneld raken of beschadigd raken.

3. Bevestig de ring en de moer van de hendel. (Fig. 17)
4. Draai de hendel naar de zijkant voor een goede werkstand wanneer u het product in de buurt van een muur bedient. (Fig. 18)
5. Draai aan de afstelwielen op het chassis om de hendel verticaal af te stellen. (Fig. 19)

De mulchplug monteren KLIPPO LB 448S, KLIPPO LB 548S e

1. Kantel het product naar achteren met de bougie naar boven.
2. Plaats de pennen van de mulchplug in de gaten vanaf de binnenkant van de kap van het maaidek. (Fig. 20)
3. Bevestig de schroeven voor de mulchplug vanaf de buitenkant van de kap van het maaidek. (Fig. 21)

Werking

Inleiding



WAARSCHUWING: Voordat u het product gaat gebruiken, dient u het hoofdstuk over veiligheid te lezen en hebben begrepen.

Husqvarna Connect

Husqvarna Connect is een gratis app voor uw mobiele apparaat. De Husqvarna Connect-app biedt uitgebreide functies voor uw Husqvarna-product:

- Uitgebreide productinformatie.
- Informatie over, en hulp bij, onderdelen en onderhoud van uw product.

Husqvarna Connect gebruiken

1. Download de Husqvarna Connect-app op uw mobiele apparaat.
2. Registreer in de Husqvarna Connect-app.
3. Volg de instructies in de Husqvarna Connect-app om verbinding te maken met het product en dit te registreren.

Voordat u het product gaat bedienen

1. Lees de gebruikershandleiding zorgvuldig door en zorg dat u de instructies hebt begrepen.
2. Controleer de snijuitrusting om te zien of deze correct is gemonteerd en afgesteld. Zie *Snijuitrusting controleren op pagina 212*.
3. Vul de brandstoftank. Zie *Brandstof bijvullen op pagina 210*.
4. Vul de olietank en controleer het oliepeil. Zie *Oliepeil controleren op pagina 213*.

Brandstof bijvullen

Gebruik emissiearme of alkylaatbenzine, indien beschikbaar. Als er geen emissiearme of alkylaatbenzine beschikbaar is, gebruik dan een loodvrije benzine van goede kwaliteit, of loodhoudende benzine met een octaangetal dat niet lager is dan 90.



OPGELET: Gebruik geen benzine met een octaangetal lager dan 90 RON (87 AKI). Dit kan schade aan het product veroorzaken.

1. Draai de brandstoftankdop langzaam los om de druk te laten ontsnappen.
2. Vul langzaam met een benzinejerrycan. Als u brandstof morst, verwijder deze dan met een doek en laat de resterende brandstof opdrogen.

3. Maak het gebied rondom de brandstoftankdop goed schoon.
4. Draai de tankdop volledig aan. Als de tankdop niet volledig is aangedraaid, bestaat een risico op brand.
5. Verplaats het product minstens 3 m (10 ft) van de plaats waar u de brandstoftank hebt gevuld, voordat u het product start.

Maaihoogte afstellen

De maaihoogte is op 6 niveaus verstelbaar.

1. Breng de maaihoogtehendel naar voren om de maaihoogte te verhogen.
2. Breng de maaihoogtehendel naar achteren om de maaihoogte te verlagen.



OPGELET: Stel de maaihoogte niet te laag in. Als het oppervlak van het gazon niet waterpas is, kunnen de messen de grond raken.

Product starten

1. Controleer of de ontstekingskabel is verbonden met de bougie.
2. Open de brandstofklep. (Fig. 22)
3. Blijf achter het product.
4. Houd de motorremhendel tegen de handgreep. (Fig. 23)
5. Houd het startkoord in uw rechterhand.
6. Trek het startkoord langzaam naar buiten totdat u enige weerstand voelt.
7. Krachtig trekken om de motor te starten.



WAARSCHUWING: Wikkel het startkoord niet rond uw hand.



OPGELET: Trek het startkoord niet helemaal uit. Laat de startkoordhendel niet los wanneer het startkoord is uitgetrokken.

De aandrijving op de wielen gebruiken

- Duw de aandrijfhendel naar beneden. (Fig. 24)
- Voordat u het product naar achteren trekt, moet u de aandrijving uitschakelen en het product ongeveer 10cm naar voren duwen.
- Laat de motorremhendel iets los om de aandrijving uit te schakelen, bijvoorbeeld wanneer u bij een obstakel komt.

Product stoppen

- Om alleen de aandrijving te stoppen, laat u de motorremhendel iets los.
- Om de motor te stoppen, laat u de motorremhendel helemaal los.
- Sluit de brandstofklep. (Fig. 25)

Een goed resultaat verkrijgen

- Gebruik altijd een scherp mes. Een bot mes geeft een onregelmatig resultaat en het snijvlak van het gras wordt geel. Een scherp mes verbruikt ook minder energie dan een bot mes.

- Maai nooit meer dan 1/3e van de lengte van het gras af. Maai eerst met een hoog ingestelde maaihoogte. Controleer het resultaat en verlaag de snijhoogte tot een geschikt niveau. Als het gras echt lang is, rijd dan langzaam en maai zo nodig 2 keer.
- Maai elke keer in een andere richting, om het ontstaan van strepen in het gazon te voorkomen.

Onderhoud

Inleiding



WAARSCHUWING: Voordat u onderhoud gaat uitvoeren, dient u het hoofdstuk over veiligheid te lezen en hebben begrepen.

Voor alle onderhouds- en reparatiewerkzaamheden aan het product is speciale training nodig. Wij garanderen de beschikbaarheid van professionele reparaties en onderhoud. Indien uw dealer geen servicewerkplaats

heeft, vraag hem dan naar de dichtstbijzijnde servicewerkplaats.

Onderhoudsschema

De onderhoudsintervallen worden berekend op basis van het dagelijks gebruik van het product. De intervallen veranderen als het product niet dagelijks wordt gebruikt.

Voor onderhoud dat is gemarkeerd met *: zie de instructies in *Veiligheidsvoorzieningen op het product op pagina 207*.

Onderhoud	Elke dag	Wekelijks	Maandelijks
Algemene inspectie uitvoeren	X		
Motoroliepeil controleren	X		
Product reinigen	X		
Reinig het luchtfilter	X		
Snijuitrusting controleren	X		
Kap van het maaidek controleren*	X		
Motorremhendel controleren*	X		
Geluiddemper controleren*		X	
Bougie controleren		X	
Aandrijfriem op beschadigingen controleren			X
Tandwielhuis reinigen			X
Olie verversen (de eerste keer na 5 uur gebruik, vervolgens na elke 25 uur gebruik en jaarlijks)			X
Vervang het luchtfilter			X
Brandstofsysteem controleren			X
Aandrijving controleren en afstellen (koppelingskabel)			X

Algemene inspectie uitvoeren

- Controleer of alle moeren en schroeven op het product goed zijn vastgedraaid.

Product aan de buitenkant reinigen

- Gebruik een borstel om bladeren, gras en vuil te verwijderen.
- Zorg dat de luchtinlaat op de bovenkant van de motor niet is geblokkeerd.
- Reinig het product niet met een hogedrukspuit.
- Als u water gebruikt om het product te reinigen, spuit dan geen water rechtstreeks op de motor.

Binnenoppervlak van de kap van het maaidek reinigen

1. Plaats het product op zijn kant met de demper naar beneden.



OPGELET: Als het product met het luchtfilter naar beneden wordt geplaatst, kan de motor beschadigd raken.

2. Spuit de binnenkant van het maaidek schoon met water.

De aandrijfriem controleren en het tandwielhuis reinigen

1. Verwijder de 4 schroeven van de riembescherming en verwijder de riembescherming. (Fig. 26)
2. Controleer de aandrijfriem en de poelie op beschadigingen.
3. Verwijder bladeren, gras en vuil van het tandwielhuis met behulp van een borstel. (Fig. 27)

De aandrijfriem vervangen en afstellen

1. Verwijder de 4 schroeven van de riembescherming en verwijder de riembescherming. (Fig. 26)
2. Plaats een platte schroevendraaier tussen de naafop en het wiel op het rechter voorwiel van het product.
3. Draai de schroevendraaier voorzichtig om de naafop te verwijderen.
4. Verwijder de wielbout en verwijder het wiel. (Fig. 28)
5. Haal de aandrijfriem van de riempoelies.
6. Controleer of de riempoelies eenvoudig bewegen op de as.
7. Spuit indien nodig kruipolie tussen en achter de riempoelies en smeer de as.
8. Breng een nieuwe aandrijfriem aan en bevestig deze correct bij het kogellager voordat u de aandrijfriem afstelt. (Fig. 29)
9. Beweeg het kogellager omhoog of omlaag om de aandrijfriem af te stellen. (Fig. 30)

Let op: Een nieuwe aandrijfriem wordt langer na gebruik. Stel de aandrijfriem na enkele bedrijfsuren opnieuw af.

10. Bevestig de riembescherming.
11. Gebruik het product om te controleren of de aandrijfriem correct is geïnstalleerd en afgesteld.

De middelste riem vervangen en afstellen

1. Verwijder het mes.

Let op: Deze stap is niet nodig wanneer u alleen de middelste riem afstelt.

2. Draai de stelschroeven enkele slagen los, maar verwijder ze niet. (Fig. 31)
3. Vervang de middelste riem en draai de stelschroeven iets vast.

Let op: Deze stap is niet nodig wanneer u alleen de middelste riem afstelt.

4. Beweeg het tandwiel naar voren of naar achteren om de middelste riem af te stellen. (Fig. 32)
5. Gebruik een veerunster om de spanning van de middelste band te bepalen. De riem heeft de juiste spanning wanneer hij in het midden 6-10 mm kan bewegen. Dat is gelijk aan een trekkracht van 3 kg. (Fig. 33)
6. Draai de stelschroeven volledig vast met een koppel van 3 Nm.
7. Gebruik het product om te controleren of de aandrijfriem correct is geïnstalleerd en afgesteld.

Snijuitrusting controleren



WAARSCHUWING: Verwijder de ontstekingskabel van de bougie om te voorkomen dat de motor per ongeluk wordt gestart.



WAARSCHUWING: Draag beschermende handschoenen wanneer u onderhouden aan de snijuitrusting uitvoert. Het mes is zeer scherp en kan gemakkelijk snijwonden veroorzaken.

1. Controleer de snijuitrusting op beschadiging of scheuren. Vervang beschadigde snijuitrusting altijd.
2. Kijk naar het mes om te zien of dit is beschadigd of bot is.

Let op: Het mes moet na het slijpen worden gebalanceerd. Laat het slijpen, vervangen en balanceren door een servicecentrum uitvoeren. Als u een obstakel raakt waardoor het product stopt, vervang

dan het beschadigde mes. Laat het servicecentrum beoordelen of het mes kan worden geslepen of moet worden vervangen.

Mes vervangen

1. Zet het mes vast met een houten blok. (Fig. 34)
2. Verwijder de mesbout, de veerringen en het mes. (Fig. 35)
3. Controleer de messteun en de mesbout op beschadigingen.
 - a) Als u het mes of de messteun vervangt, vervang dan ook de mesbout, de veering en de wrijvingsring.
4. Controleer de motoras om te controleren of deze niet is verbogen.
5. Wanneer u het nieuwe mes bevestigt, zorg er dan voor dat de gebogen uiteinden naar de kap van het maaidek zijn gericht. (Fig. 36)
6. Monteer de wrijvingsring en het mes tegen de messteun. (Fig. 37)
7. Controleer of het mes is uitgelijnd met het midden van de motoras. (Fig. 38)
8. Zet het mes vast met een houten blok. (Fig. 39)
9. Bevestig de veering en draai de bout vast met een aanhaalmoment van 80 Nm. (Fig. 40)
10. Draai het mes met de hand rond en controleer of het vrij draait.



WAARSCHUWING: Draag beschermende handschoenen. Het mes is zeer scherp en kan gemakkelijk snijwonden veroorzaken.

11. Start het product om het mes te testen. Als het mes niet goed is bevestigd, zijn er trillingen in het product of is het maaieresultaat niet goed.

Oliepeil controleren



OPGELET: Een te laag oliepeil kan ernstige schade aan de motor veroorzaken. Voer een controle van het oliepeil uit voordat u het product start.

1. Zet het product op een vlakke ondergrond.
2. Sluit de brandstofklep.
3. Verwijder de olietankdop met de bijgevoegde peilstok.
4. Veeg de olie van de peilstok.
5. Zet de peilstok in de olietank maar draai de dop van de olietank niet vast.
6. Verwijder de peilstok.
7. Controleer het oliepeil op de peilstok.

8. Als het oliepeil laag is, vult u bij met motorolie en controleert u het oliepeil opnieuw. Het oliepeil is correct wanneer het tot de bovenste markering op de peilstok staat.

De motorolie verversen



WAARSCHUWING: Motorolie is nog erg heet direct nadat de motor is uitgezet. Laat de motor afkoelen voordat u de motorolie aftapt. Als u motorolie morst op uw huid, was die dan af met water en zeep.

1. Gebruik het product totdat de brandstoftank leeg is.
2. Verwijder de ontstekingskabel van de bougie.
3. Verwijder de olietankdop.
4. Plaats een opvangbak onder het product om de motorolie in op te vangen.
5. Kantel het product om de motorolie uit de olietank af te tappen.
6. Vul bij met nieuwe motorolie van het type dat wordt aanbevolen in *Technische gegevens op pagina 214*.
7. Controleer het oliepeil. Zie *Oliepeil controleren op pagina 213*.

Het luchtfilter reinigen



OPGELET: Laat de motor niet draaien zonder dat er een luchtfilter is gemonteerd of wanneer het luchtfilter vervuild is.



OPGELET: Vervang het luchtfilter als het niet volledig kan worden gereinigd of als het is beschadigd. Een defect luchtfilter veroorzaakt schade aan de motor.

1. Druk op de vergrendelingslippen (A), verwijder het luchtfilterdeksel (B) en verwijder het luchtfilter (C). (Fig. 41)
 2. Klop het luchtfilter tegen een hard oppervlak of blaas perslucht door het luchtfilter vanaf de schone zijde van het luchtfilter.
- OPGELET:** Gebruik geen borstel om vuil te verwijderen, omdat dit het vuil in het luchtfilter duwt.
3. Reinig de luchtfilterhouder (D) en het luchtfilterdeksel met een vochtige doek.
- OPGELET:** Zorg ervoor dat er geen vuil in het luchtkanaal (E) terecht komt.
4. Breng het luchtfilter aan. Controleer of het luchtfilter de luchtfilterhouder volledig afsluit.

- Breng het luchtfilterdeksel aan, begin met de lippen aan de onderkant.

Bougie controleren



OPGELET: Gebruik altijd het juiste bougietype. Een verkeerd type bougie kan schade aan het product veroorzaken.

- Controleer de bougie als de motor weinig vermogen heeft, niet gemakkelijk te starten is of stationair niet goed draait.
- Volg deze instructies om het risico van ongewenst materiaal op de elektroden van de bougie te beperken:
 - Zorg ervoor dat het stationair toerental altijd juist is afgesteld.
 - Zorg dat het brandstofmengsel correct is.
 - Zorg dat het luchtfilter schoon is.
- Maak de bougie schoon als deze vuil is en controleer of de afstand tussen de elektroden correct is, zie *Technische gegevens op pagina 214*. (Fig. 42)

- Vervang de bougie indien nodig.

Brandstofsysteem controleren

- Controleer de brandstoftankdop en de afchting van de brandstoftankdop om te zien of er geen schade is.
- Controleer de brandstofslang om te controleren of er geen lekken zijn. Als de brandstofslang beschadigd is, laat deze dan door een servicemonteur vervangen.

Koppelingskabel afstellen

Als de aandrijving traag lijkt, moet de koppelingskabel worden afgesteld.

- Draai de stelschroef. (Fig. 43)

De koppelingskabel is correct afgesteld wanneer de koppelingskabelsteun is uitgelijnd met de meer.

(Fig. 44)

Vervoer, opslag en verwerking

Transport en opslag

- Controleer voor opslag en vervoer van het product en de brandstof of er geen lekken of dampen zijn. Vonken of open vuur, bijvoorbeeld van elektrische apparaten of ketels, kunnen tot brand leiden.
- Gebruik altijd goedgekeurde containers voor opslag en transport van brandstof.
- Leeg de brandstoftank voordat u het product voor langere tijd opslaat. De brandstof via een geschikte verwijderingslocatie afvoeren
- Zet het product tijdens het vervoer veilig vast om schade en ongevallen te voorkomen.
- Bewaar het product in een afgesloten ruimte om toegang door kinderen of onbevoegde personen te verhinderen.

- Bewaar het product in een droge en vorstvrije ruimte.

Afvoeren

- Neem de plaatselijk geldende wet- en regelgeving voor recycling in acht.
- Voer alle chemicaliën, zoals olie of brandstof, af via een servicecentrum of een geschikte verwijderingslocatie.
- Wanneer het product niet langer in gebruik is, stuur het dan naar een Husqvarna dealer of voer het af via een recyclingslocatie.

Technische gegevens

Technische gegevens

	KLIPPO LB 448S	KLIPPO LB 453S	KLIPPO LB 548S e
Motor			
Merk	Honda	Honda	Honda
Cilinderinhoud, cm ³	145	166	166
Toerental, tpm	2900	2900	2900

	KLIppo LB 448S	KLIppo LB 453S	KLIppo LB 548S e
Nominaal motorvermogen, kW ⁸¹	2,7	3,3	3,3
Ontstekingsysteem			
Bougie	NGK BPR5ES	NGK BPR5ES	NGK BPR5ES
Elektrodenafstand, mm	0,7-0,8	0,7-0,8	0,7-0,8
Brandstof-/smeersysteem			
Inhoud brandstoftank, liter	0,9	0,9	0,9
Inhoud olietank, liter	0,55	0,5	0,55
Motorolie ⁸²	SAE 10W-30	SAE 10W-30	SAE 10W-30
Gewicht			
Met lege tanks, kg	30,5	33	32,5
Geluidsemissies ⁸³			
Geluidsvermogeniveau, gemeten dB(A)	90	91	90
Geluidsvermogeniveau, gegarandeerd L _{WA} dB (A)	91	94	91
Geluidsniveau ⁸⁴			
Geluidsdrukkniveau bij het oor van de gebruiker, dB (A)	77	78	78
Trillingsniveau, a_{hveq} ⁸⁵			
Handgreep, m/s ²	4,5	5,3	4,8
Snijuitrusting			
Maaihoogte, mm	30-60	30-60	30-60
Maai breedte, mm	480	530	480
Mes	Mulch - 48 cm 5028813-10	Mulch - 53 cm 5028814-10	Mulch - 48 cm 5028813-10
Aandrijving			
Snelheid, km/u	4,5	4,5	4,5

⁸¹ Het aangegeven nominale vermogen van de motor heeft betrekking op het gemiddelde nettovermogen (bij het opgegeven toerental) van een typische productiemotor voor het betreffende motormodel, gemeten volgens de SAE-norm J1349/ISO1585. In massa geproduceerde motoren kunnen een afwijkende waarde geven. Het werkelijk geleverde vermogen van de geïnstalleerde motor op het uiteindelijke product hangt af van de bedrijfssnelheid, de omgevingscondities en andere waarden.

⁸² Gebruik motorolie van kwaliteit SG-SH. Zie het viscositeitsoverzicht in de handleiding van de motorfabrikant en selecteer de beste viscositeit op basis van de verwachte buitentemperatuur.

⁸³ Geluidsemissie naar de omgeving gemeten als geluidsvermogen (L_{WA}) volgens EG-richtlijn 2000/14/EG.

⁸⁴ Geluidsdrukkniveau volgens ISO 5395. De gerapporteerde gegevens voor het geluidsdrukkniveau vertonen een typische statistische spreiding (standaardafwijking) van 1,2 dB (A).

⁸⁵ Trillingsniveau volgens ISO 5395. De gerapporteerde gegevens voor een trillingsniveau vertonen een typische statistische spreiding (standaardafwijking) van 0,2 m/s².

EG verklaring van overeenstemming

EG verklaring van overeenstemming

Husqvarna AB, SE-561 82 Huskvarna, Zweden, tel.: +46-36-146500, verklaart dat de **gazonmaaiers Husqvarna KLIPPO LB 448S, KLIPPO LB 453S, KLIPPO LB 548S e** met serienummers 2020xxxxxx en later voldoen aan de eisen die zijn opgenomen in de RICHTLIJNEN VAN DE RAAD:

- van 17 mei 2006 "met betrekking tot machines" **2006/42/EG**
- van 26 februari 2014 "met betrekking tot elektromagnetische compatibiliteit" **2014/30/EU**
- van 8 mei 2000 "met betrekking tot geluidsemissies in het milieu" **2000/14/EG**
- van 8 juni 2011 "inzake beperking van het gebruik van bepaalde gevaarlijke stoffen in elektrische en elektronische apparatuur" **2011/65/EU**

Zie Technische gegevens voor informatie over geluidsemissies.

De volgende normen zijn van toepassing:

EN ISO 5395-1, EN ISO 5395-2, EN ISO 5395-2 Amd1, EN ISO 5395-2 Amd 2, EN 55012, EN 50581:2012

Tenzij anders vermeld, betreft het de meest recente versies van de hierboven genoemde normen.

Aangemelde instantie: **0404, RISE SMP Svensk Maskinprovning AB, Box 7035, SE-750 07 Uppsala** heeft rapporten opgesteld inzake de beoordeling van de overeenstemming met bijlage VI van Richtlijn 2000/14/EG van de Raad van 8 mei 2000 betreffende "de geluidsemissie door materieel voor gebruik buitenshuis".

Huskvarna, 2020-09-16



Claes Losdal, Development Manager/Garden Products
(gemachtigde vertegenwoordiger voor Husqvarna AB en verantwoordelijk voor technische documentatie.)

INNHold

Innledning.....	217	Vedlikehold.....	222
Sikkerhet.....	218	Transport, oppbevaring og avhending.....	225
Montering.....	221	Tekniske data.....	226
Drift.....	221	EF-samsvarserklæring.....	228

Innledning

Produktbeskrivelse

Produktet er en roterende skyveggressklipper som bruker BioClip® for å klippe gresset til gjødsel.

Produktoversikt

(Fig. 1)

1. Håndtak/styrestang
2. Motorbremsehåndtak
3. Kjørespak
4. Håndtak på startsnoren
5. Oljelokk
6. Remdeksel
7. Lyddemper
8. Tennplugg
9. Remdeksel
10. Drivstofftank
11. Spak for vinkeljustering på håndtaket
12. Avvibreringssystem
13. Clutchvaierjustering
14. Nedre håndtak
15. Spak for regulering av klippehøyde
16. Drivstoffventil
17. Luffilter
18. Klippedeksel
19. Sprengskive
20. Knivbolt
21. Hode
22. Knivstøtte
23. Finfordelingsplugg (KLIPPO LB 448S, KLIPPO LB 548S e)
24. Bruksanvisning

Symboler på produktet

- (Fig. 2) **ADVARSEL:** Uforsiktig eller feilaktig bruk kan resultere i skader eller dødsfall for brukeren eller tilskuere.
- (Fig. 3) Les nøye gjennom bruksanvisningen og sørg for at du har forstått instruksjonene før bruk.

Bruksområder

Bruk produktet til å klippe gress. Ikke bruk produktet til andre oppgaver.

- (Fig. 4) Se opp for gjenstander som slynges ut og rikosjetterer.
- (Fig. 5) Hold personer og dyr på trygg avstand fra arbeidsområdet.
- (Fig. 6) Stopp motoren og fjern tenningskabelen før det utføres reparasjoner eller vedlikehold.
- (Fig. 7) Advarsel: Hold hender og føtter borte fra bevegelige deler.
- (Fig. 8) Advarsel: Hold hender og føtter borte fra den roterende kniven.
- (Fig. 9) Dette produktet er i overensstemmelse med gjeldende EU-direktiver.
- (Fig. 10) Støyutslipp til omgivelsene i henhold til EU-direktiv 2000/14/EF og New South Wales-forskriften «Protection of the Environment Operations (Noise Control) Regulation 2017». Du finner informasjon om støyutslipp på maskinetiketten og i kapittelet Tekniske data.
- (Fig. 11) Kode som kan skannes.

Merk: Øvrige symboler/klistremerker angitt på produktet gjelder sertifiseringskrav for enkelte markeder.

Etikett på produktet, bare for Australia og New Zealand

- (Fig. 12) Hold hender og føtter borte fra den roterende kniven.

Euro V-utslipp



ADVARSEL: Tukling med motoren oppbever EU-type-godkjenningen til dette produktet.

- Produktet er reparert på feil måte.
- Produktet er reparert med deler som ikke kommer fra produsenten eller som ikke er godkjent av produsenten.
- Produktet har et tilbehør som ikke kommer fra produsenten eller som ikke er godkjent av produsenten.
- Produktet er ikke reparert på et godkjent servicesenter eller av en godkjent aktør.

Produktansvar

Som nevnt i lovverket om produktansvar er vi ikke ansvarlig for skader som produktet vårt forårsaker, i følgende tilfeller:

Sikkerhet

Sikkerhetsdefinisjoner

Advarsler, oppfordringer og merknader brukes for å understreke spesielt viktige deler av bruksanvisningen.



ADVARSEL: Brukes hvis det er fare for personskade eller død for brukeren eller andre personer om instruksjonene i håndboken ikke følges.



OBS: Brukes hvis det er fare for skade på produktet, annet materiell eller nærliggende områder om instruksjonene i håndboken ikke følges.

Merk: Brukes for å gi mer nødvendig informasjon for en spesifikk situasjon.

Generelle sikkerhetsinstruksjoner



ADVARSEL: Les de følgende advarselinstruksjonene før du bruker produktet.

- Dette produktet er farlig hvis det brukes feil, eller hvis du ikke er forsiktig. Personskade eller død kan forekomme hvis du ikke følger sikkerhetsinstruksjonene.
- Dette produktet danner et elektromagnetisk felt når det er i bruk. Dette feltet kan under visse forhold forstyrre aktive eller passive medisinske implantater. For å redusere faren for hendelser som kan føre til alvorlig eller livstruende skade, anbefaler vi at personer med medisinske implantater rådfører seg med lege og produsenten av det medisinske implantatet før dette produktet tas i bruk.
- Vær alltid forsiktig og bruk sunn fornuft. Hvis du ikke er sikker på hvordan du skal bruke produktet i en bestemt situasjon, må du stoppe og snakke med Husqvarna-forhandleren før du fortsetter.
- Husk at brukeren er ansvarlig for ulykker som involverer andre personer eller deres eiendom.

- Hold produktet rent. Sørg for at du kan lese skilt og merker.
- Ikke la en person bruke produktet med mindre du forsikrer deg om at de har lest og forstått innholdet i bruksanvisningen.
- Ikke la barn bruke produktet.
- Hold barn borte fra arbeidsområdet. En ansvarlig voksen må alltid være til stede.
- Ikke la en person bruke produktet uten kunnskap om instruksjonene.
- Overvåk alltid personer med redusert fysisk eller mental kapasitet når de bruker produktet. En ansvarlig voksen må alltid være til stede.
- Ikke bruk produktet dersom du er trett eller syk eller under påvirkning av alkohol, andre rusmidler eller medisiner. Disse tingene har en negativ effekt på synet, vurderingsevnen og dømmekraften din.
- Ikke bruk produktet hvis det er defekt.
- Ikke modifier dette produktet, og ikke bruk det dersom det er mulig å gjøre det modifisert det.
- Ikke endre justeringen for turtallsreguleringen.

Sikkerhet i arbeidsområdet



ADVARSEL: Les de følgende advarslene før du bruker produktet.

- Fjern gjenstander som greiner, kvister og steiner fra området før du bruker produktet.
- Gjenstander som treffer skjæreutstyret, kan slynges ut og forårsake skade på personer og gjenstander. Hold tilskuere og dyr på trygg avstand fra produktet.
- Bruk aldri produktet i dårlig vær, for eksempel i tåke, regn, sterk vind, sterk kulde, eller ved fare for lyn. Det er slitsomt å bruke produktet i dårlig vær eller på fuktige eller våte steder. Dårlig vær kan forårsake farlige forhold, for eksempel glatt underlag.
- Hold utkikk etter personer, objekter og situasjoner som kan forhindre sikker bruk av produktet.
- Se etter hindringer, for eksempel røtter, steiner, kvister, fordypninger og grøfter. Høyt gress kan skjule hindringer.

- Det kan være farlig å klippe gress i skråninger. Ikke bruk produktet i skråninger som heller mer enn 15 grader.
- Bruk produktet på tvers av skråninger. Ikke gå opp og ned.
- Vær forsiktig når du nærmer deg skjulte hjørner eller gjenstander som blokkerer sikten.

Arbeidssikkerhet



ADVARSEL: Les de følgende advarelsene før du bruker produktet.

- Bruk dette produktet bare til å klippe gressplener. Det er ikke tillatt å bruke det til andre formål.
- Bruk personlig verneutstyr. Se *Personlig verneutstyr på side 219*.
- Sørg for at du vet hvordan du stopper motoren raskt i en nødsituasjon.
- Start aldri motoren i et lukket rom eller i nærheten av brennbart materiale. Motorens avgasser er varme og kan inneholde gnister som kan forårsake brann.
- Ikke bruk produktet med mindre kniven og alle deksler er riktig montert. En kniv som er feilmontert, kan løsne og forårsake personskade.
- Pass på at kniven ikke kommer borti gjenstander som steiner og røtter. Dette kan gjøre skade på kniven og bøye motorakselen. En bøyd aksel kan forårsake mye vibrasjon og utgjør en svært høy fare for at kniven blir løs.
- Hvis kniven treffer en gjenstand eller det oppstår kraftige vibrasjoner, må produktet stanses øyeblikkelig. Koble tenningskabelen fra tennpluggen. Kontroller produktet for skader. Reparer skader, eller la et autorisert serviceverksted utføre reparasjon.
- Du må aldri feste motorbremsehåndtaket permanent til håndtaket når motoren er i gang.
- Plasser produktet på et stabilt, flatt underlag, og start det. Pass på at kniven ikke berører bakken eller andre gjenstander.
- Hold deg alltid bak produktet når du bruker det.
- La alle hjulene være på bakken, og hold begge hender på håndtaket når du bruker produktet. Hold hender og føtter borte fra de roterende knivene.
- Unngå å vippe produktet opp mens motoren er i gang.
- Vær forsiktig når du trekker produktet bakover.
- Du må aldri løfte produktet når motoren er i gang. Hvis du må løfte produktet, må du først stoppe motoren og koble tenningskabelen fra tennpluggen.
- Ikke gå bakover når du bruker produktet.
- Stopp motoren når du går over områder uten gress, for eksempel gangveier av grus, stein og asfalt.
- Ikke løp med produktet når motoren er på. Du må alltid gå mens du bruker produktet.
- Stopp motoren før du endrer klippehøyde. Utfør aldri justeringer mens motoren er i gang.

- La aldri produktet være ute av syne mens motoren er i gang. Stopp motoren, og forsikre deg om at skjæreutstyret ikke roterer.

Sikkerhetsinstruksjoner for drift

Personlig verneutstyr



ADVARSEL: Les de følgende advarelsene før du bruker produktet.

- Verneutstyr kan aldri fullstendig forhindre skade, men det reduserer skadeomfanget hvis ulykken inntreffer. Spør forhandleren din om hjelp til å velge riktig utstyr.
- Bruk hørselsvern hvis støynivået er høyere enn 85 dB.
- Bruk kraftige, sklislire støvler eller sko. Ikke bruk åpne sko eller gå barbeint.
- Bruk tykke langbukser.
- Bruk vernehansker når det er nødvendig, for eksempel når du fester, undersøker eller rengjør skjæreutstyret.

Sikkerhetsutstyr på produktet



ADVARSEL: Les de følgende advarelsinstruksjonene før du bruker produktet.

- Ikke bruk produktet dersom sikkerhetsutstyret er defekt.
- Utfør regelmessig kontroll av sikkerhetsutstyret. Ta kontakt med ditt Husqvarna-serviceverksted, dersom sikkerhetsutstyret er defekt.

Slik kontrollerer du klippedekselet

Klippedekselet gir mindre vibrasjoner og minsker risikoen for skader forårsaket av kniven.

- Undersøk klippedekselet for å sikre at det ikke er noen skader, for eksempel sprekker.

Slik kontrollerer du remdekselet

Remdekselet reduserer faren for skader og sørger for at en røket drivrem ikke slynges ut.

- Kontroller at remdekselet ikke er skadet, og at det er riktig festet. (Fig. 13)

Slik kontrollerer du remdekselet

Remdekselet reduserer faren for skader og sørger for at en røket drivrem ikke slynges ut.

- Kontroller at remdekselet ikke er skadet, og at det er riktig festet. (Fig. 14)

Motorbremsehåndtak

Motorbremsehåndtaket stopper motoren. Når du slipper motorbremsehåndtaket, stopper motoren.

Hvis du vil kontrollere motorbremsehåndtaket, starter du motoren og slipper deretter motorbremsehåndtaket. Hvis motoren ikke stopper innen tre sekunder, må du la et godkjent Husqvarna-serviceverksted justere motorbremsen.

(Fig. 15)

Slik kontrollerer du avvibreringssystemet



ADVARSEL: Overeksponering for vibrasjon kan føre til sirkulasjons- eller nerveskader hos personer med nedsatt blodsirkulasjon. Oppsøk lege hvis du opplever fysiske symptomer som kan relateres til overeksponering for vibrasjon. Eksempel på slike symptomer er nummenhet, følelsesløshet, «kiling», «stikk», smerte, manglende eller redusert styrke og forandringer i hudfarge eller -tilstand. Disse symptomene opptrer vanligvis i fingre, hender eller håndledd.

Avvibreringssystemet reduserer vibrasjonen i håndtaket under drift.

Stålrøret i håndtaket og klippedekselet reduserer vibrasjonene. KLIPPO LB 548S e har også fire avvibreringsenheter festet til håndtaket.

- Undersøk håndtakene og de vibrasjonsdpendende enhetene for å sikre at det ikke finnes noen skader. (Fig. 16)

Knivstøtte

Knivstøtten reduserer faren for at motorakselen bøyes. Hvis kniven treffer en gjenstand, beveger kniven seg mot knivstøtten. Bevegelsen forårsaker slitasje på overflaten av knivstøtten. Slitasjen viser at beskyttelsen av motorakselen fungerer riktig.

Lyddemper

Lyddemperen begrenser støynivået og sender avgassene bort fra brukeren.

Bruk ikke produktet hvis lyddemperen mangler eller er defekt. En defekt lyddemper øker støynivået og faren for brann.



ADVARSEL: Lyddemperen blir svært varm under og etter bruk, og når motoren går på tomgang. Vær forsiktig i nærheten av brannfarlige materialer og/eller avgasser for å unngå brann.

Slik kontrollerer du lyddemperen

- Kontroller lyddemperen regelmessig for å sikre at den er riktig montert og ikke skadet.

Drivstoffsikkerhet



ADVARSEL: Les de følgende advarslene før du bruker produktet.

- Ikke start produktet hvis det er drivstoff eller motorolje på produktet. Fjern uønsket drivstoff/olje, og la produktet tørke.
- Skift klær umiddelbart hvis du søler drivstoff på klærne.
- Ikke få drivstoff på kroppen, det kan føre til personskade. Bruk såpe og vann for å fjerne drivstoff hvis du får drivstoff på kroppen.
- Ikke start produktet hvis motoren lekker. Kontroller motoren for lekkasjer med jevne mellomrom.
- Vær forsiktig med drivstoff. Drivstoff er brannfarlig, og avgassene er eksplosive og kan forårsake personskade eller død.
- Ikke pust inn bensindamp, det kan føre til personskade. Pass på at det er tilstrekkelig luftstrøm.
- Du må ikke røyke i nærheten av drivstoff eller motoren.
- Ikke sett varme gjenstander i nærheten av drivstoff eller motoren.
- Ikke fyll på drivstoff når motoren er på.
- Kontroller at motoren er avkjølt før du fyller på drivstoff.
- Åpne tanklokket sakte og slipp ut trykket forsiktig før du fyller.
- Ikke fyll drivstoff på motoren innendørs. En utilstrekkelig luftstrøm kan føre til personskade eller dødsfall på grunn av kveling eller karbonmonoksidforgiftning.
- Trekk til drivstofflokket helt. Hvis drivstofflokket ikke er strammet, kan det utgjøre en risiko for brann.
- Flytt produktet minst 3 m (10 fot) fra stedet der du fylte tanken, før du starter det.
- Fyll ikke drivstofftanken helt opp. Varme fører til at drivstoffet utvider seg. Lad det være litt plass øverst i drivstofftanken.

Sikkerhetsinstruksjoner for vedlikehold



ADVARSEL: Les de følgende advarslene før du bruker produktet.

- Eksosen fra motoren inneholder karbonmonoksid, en luktfri, giftig og svært farlig gass. Ikke start motoren innendørs eller i lukkede rom.
- Før du utfører vedlikehold på produktet, må du stoppe motoren og fjerne tenningskabelen fra tennpluggen.

- Bruk vernehansker når du utfører vedlikehold på skjæreutstyret. Kniven er svært skarp, og det er lett å kutte seg.
- Tilbehør og endringer på produktet som ikke er godkjent av produsenten, kan føre til alvorlig personskade eller død. Ikke foreta endringer av produktet. Bruk bare tilbehør som er godkjent av produsenten.
- Hvis vedlikeholdet ikke utføres riktig og regelmessig, øker faren for personskade og skade på produktet.
- Bare utfør vedlikehold som beskrevet i denne brukerveiledningen. Alt annet vedlikehold må utføres av et godkjent Husqvarna-serviceverksted.
- La et godkjent Husqvarna-serviceverksted utføre service på produktet regelmessig.
- Skift ut alle skadde, slitte eller ødelagte deler.

Montering

Innledning



ADVARSEL: Før du monterer produktet, må du lese og forstå kapittelet om sikkerhet.



ADVARSEL: Fjern tennpluggkabelen fra tennpluggen før du monterer produktet.

Slik monterer og justerer du håndtaket

1. Fjern håndtaksmutteren og flensskiven fra platen på det øvre håndtaket.
2. Sett det øvre håndtaket på plass over det nedre håndtaket.



OBS: Kontroller at ledningene ikke kommer i klem eller blir skadet.

3. Fest flensskiven og håndtaksmutteren. (Fig. 17)
4. Drei håndtaket til siden for å få en god bruksstilling når du bruker produktet i nærheten av en vegg. (Fig. 18)
5. Drei justeringshjulene på chassiset for å justere håndtaket loddrett. (Fig. 19)

Slik monterer du finfordelingspluggen KLIPPO LB 448S, KLIPPO LB 548S e

1. Vipp produktet bakover med tennpluggen vendt opp.
2. Sett pinnene på finfordelingspluggen inn i hullene fra innsiden av klippedekselet. (Fig. 20)
3. Fest skruene for finfordelingspluggen fra utsiden av klippedekselet. (Fig. 21)

Drift

Innledning



ADVARSEL: Før du bruker produktet, må du lese og forstå kapittelet om sikkerhet.

Husqvarna Connect

Husqvarna Connect er en kostnadsfri app for mobilenheten din. Husqvarna Connect-appen gir utvidede funksjoner for Husqvarna-produktet ditt:

- utvidet produktinformasjon
- informasjon om og hjelp med produktdele og service

Slik begynner du å bruke Husqvarna Connect

1. Last ned Husqvarna Connect-appen på mobilenheten din.
2. Utfør registrering i Husqvarna Connect-appen.

3. Følg instruksjonene i Husqvarna Connect-appen for å koble til og registrere produktet.

Før du bruker produktet

1. Les nøye gjennom bruksanvisningen, og sørg for at du har forstått instruksjonene.
2. Undersøk skjæreutstyret for å sikre at det er riktig festet og justert. Se *Slik kontrollerer du skjæreutstyret på side 224*.
3. Fyll drivstofftanken. Se *Slik fyller du drivstoff på side 221*.
4. Fyll oljetanken, og kontroller oljenivået. Se *Slik kontrollerer du oljenivået på side 224*.

Slik fyller du drivstoff

Bruk miljøbensin/alkylatbensin, hvis det er tilgjengelig. Hvis miljøbensin/alkylatbensin ikke er tilgjengelig, bruk blyfri bensin av god kvalitet eller blybensin med oktantal 90 eller høyere.



OBS: Ikke bruk bensin med et oktantall som er mindre enn 90 RON (87 AKI). Dette kan skade produktet.

1. Åpne drivstofflokket sakte for å slippe ut trykket.
2. Fyll langsomt med en bensinkanne. Hvis du søler drivstoff, kan du tørke det opp med en klut og la det som måtte være igjen, lufttørke.
3. Tørk rent rundt drivstofflokket.
4. Trekk til drivstofflokket helt. Hvis drivstofflokket ikke er strammet, kan det utgjøre en risiko for brann.
5. Flytt produktet minst 3 m fra stedet du fylte tanken før du starter det.

Slik regulerer du klippehøyden

Klippehøyden kan justeres i seks trinn.

1. Flytt spaken for klippehøyde forover for å øke klippehøyden.
2. Flytt spaken for klippehøyde bakover for å redusere klippehøyden.



OBS: Ikke sett klippehøyden for lavt. Knivene kan treffe bakken hvis overflaten av plenen ikke er vannrett.

Slik starter du produktet

1. Sørg for at tenningskabelen er koblet til tennpluggen.
2. Åpne drivstoffkranen. (Fig. 22)
3. Stå bak produktet.
4. Hold motorbremseshåndtaket mot håndtaket. (Fig. 23)
5. Hold i startsnorhåndtaket med høyrehånden.
6. Dra startsnoren langsomt ut til du kjenner litt motstand.

7. Trekk kraftig for å starte motoren.



ADVARSEL: Surr aldri startsnoren rundt hånden.



OBS: Unngå å trekke ut startsnoren helt. Ikke slipp startsnorhåndtaket når startsnoren er trukket helt ut.

Slik brukes hjuldriften

- Skyv kjørespaken ned. (Fig. 24)
- Før du trekker produktet bakover, må du koble ut driften og skyve produktet forover med ca. 10 cm.
- Slipp motorbremseshåndtaket litt tilbake for å koble fra driften, for eksempel når du er nær en hindring.

Slik stopper du produktet

- Hvis du bare vil stoppe driften, slipper du motorbremseshåndtaket bare litt tilbake.
- Hvis du vil stoppe motoren, slipper du motorbremseshåndtaket helt tilbake.
- Steng drivstoffkranen. (Fig. 25)

Slik får du et godt resultat

- Bruk alltid en godt slipt kniv. En sløv kniv gir ujevnt resultat, og gressets klippeoverflate blir gul. En skarp kniv bruker også mindre energi enn en sløv kniv.
- Ikke klipp mer enn 1/3 av lengden på gresset. Klipp først med klippehøyden stilt høyt. Undersøk resultatet og senk klippehøyden til det aktuelle nivået. Hvis gresset er veldig langt, kjører du sakte og klipper to ganger om nødvendig.
- Klipp i forskjellige retninger hver gang, for å unngå striper i plenen.

Vedlikehold

Innledning



ADVARSEL: Før du utfører vedlikeholdsarbeid, må du lese og forstå kapittelet om sikkerhet.

For alt vedlikehold og reparasjonsarbeid på produktet er det nødvendig med spesiell opplæring. Vi garanterer fagmessig reparasjon og service. Hvis forhandleren ikke

er et serviceverksted, må du snakke med dem for å få informasjon om nærmeste serviceverksted.

Vedlikeholdsskjema

Vedlikeholdintervallene er beregnet med utgangspunkt i daglig bruk av produktet. Intervallene kan endres hvis produktet ikke brukes daglig.

For vedlikehold merket med * kan du se instruksjonene i *Sikkerhetsutstyr på produktet på side 219*.

Vedlikehold	Daglig	Ukentlig	Månedlig
Slik utfører du en generell inspeksjon	X		
Kontroller oljenivået.	X		

Vedlikehold	Daglig	Ukentlig	Månedlig
Rengjør produktet.	X		
Rengjør luftfilteret.	X		
Kontroller skjæreutstyret.	X		
Kontroller klippedekselet*.	X		
Kontroller motorbremseshåndtaket*.	X		
Kontroller lyddemperen*.		X	
Kontroller tennpluggen.		X	
Kontroller drivremmen for skader.			X
Rengjør girhuset.			X
Skift olje (første gang etter 5 timers bruk og deretter etter hver 25. times bruk).			X
Skift luftfilteret.			X
Kontroller drivstoffsystelet.			X
Kontroller og juster driften (clutchvaieren).			X

Slik utfører du en generell inspeksjon

- Sørg for at alle mutre og skruer på produktet er trukket til ordentlig.

Slik rengjør du produktet på utsiden

- Bruk en børste for å fjerne løv, gress og smuss.
- Kontroller at luftinntaket på toppen av motoren ikke er blokkert.
- Produktet må ikke rengjøres med høytrykksspyler.
- Hvis du bruker vann til å rengjøre produktet, må du ikke spyle vann direkte på motoren.

Slik rengjør du den indre overflaten av klippedekselet

1. Plasser produktet på siden med lyddemperen ned.



OBS: Hvis produktet plasseres med luftfilteret ned, kan motoren bli skadet.

2. Spyl innsiden av klippedekselet med vann.

Slik kan du undersøke drivremmen og rengjøre girhuset

1. Ta ut de fire skruene som fester remdekselet, og ta av remdekselet. (Fig. 26)
2. Kontroller drivremmen og remhjulet for skader.
3. Bruk en børste for å fjerne løv, gress og smuss fra girhuset. (Fig. 27)

Slik skifter og justerer du drivremmen

1. Ta ut de fire skruene som fester remdekselet, og ta av remdekselet. (Fig. 26)
2. Stikk en flat skrutebrett inn mellom hjulkapselen og hjulet på høyre forhjul på produktet.
3. Vri skrutebrettet forsiktig, og fjern hjulkapselen.
4. Ta ut hjulbolten, og ta av hjulet. (Fig. 28)
5. Fjern drivremmen fra remhjulene.
6. Kontroller at remhjulene beveger seg problemfritt på akselen.
7. Om nødvendig kan du spraye penetrerende olje mellom og bak remhjulene og smøre akselen.
8. Monter en ny drivrem, og fest den riktig på kulelageret før du justerer drivremmen. (Fig. 29)
9. Flytt kulelageret opp eller ned for å justere drivremmen. (Fig. 30)

Merk: En ny drivrem blir lengre etter bruk. Juster drivremmen igjen etter noen timers drift.

10. Fest remdekselet.
11. Bruk produktet for å sikre at drivremmen er riktig montert og justert.

Slik skifter og justerer du senterremmen

1. Fjern kniven.

Merk: Dette trinnet er ikke nødvendig når du bare justerer senterremmen.

2. Løsne justeringssskruene noen omdreininger, men ikke ta dem ut. (Fig. 31)
3. Skift senterrem, og trekk til justeringssskruene med moderat kraft.

Merk: Dette trinnet er ikke nødvendig når du bare justerer senterremmen.

4. Flytt giret forover eller bakover for å justere senterremmen. (Fig. 32)
5. Bruk en hengevekt til å undersøke strammingen til senterremmen. Remmen har riktig stramming når den kan bevege seg 6–10 mm midt på remmen. Dette tilsvarer en trekraft på 3 kg. (Fig. 33)
6. Trekk til justeringssskruene med et moment på 3 Nm.
7. Bruk produktet for å sikre at drivremmen er riktig montert og justert.

Slik kontrollerer du skjæreutstyret



ADVARSEL: For å hindre utilsiktet start må du fjerne tenningskabelen fra tennpluggen.



ADVARSEL: Bruk vernehansker når du utfører vedlikehold på skjæreutstyret. Kniven er svært skarp, og det er lett å kutte seg.

1. Kontroller skjæreutstyret med henblikk på skader og sprekkdannelse. Bytt alltid ut skadet skjæreutstyr.
 2. Sjekk om kniven er skadet eller sløv.
-

Merk: Kniven må balanseres etter at den er slipt. La et servicesenter slippe, skifte og balansere kniven. Hvis du treffer en hindring som fører til at produktet stopper, må du skifte ut den skadde kniven. La serviceverkstedet vurdere om kniven kan slipes eller om den må skiftes ut.

Slik bytter du kniven

1. Lås kniven med en trekloss. (Fig. 34)
2. Fjern knivbolten, sprengskiven og kniven. (Fig. 35)
3. Kontroller knivstøtten og knivbolten for skader.
 - a) Hvis du skifter kniv eller knivstøtte, må du også skifte ut knivbolten, sprengskiven og friksjonsskiven.
4. Undersøk motorakselen for å forsikre deg om at den ikke er bøyd.
5. Når du fester den nye kniven, skal de bøyde endene av kniven peke i retning av klippedekselet. (Fig. 36)
6. Plasser friksjonsskiven og kniven mot knivstøtten. (Fig. 37)
7. Kontroller at kniven er på linje med midten av motorakselen. (Fig. 38)

8. Lås kniven med en trekloss. (Fig. 39)
 9. Fest sprengskiven, og trekk til bolten med et moment på 80 Nm. (Fig. 40)
 10. Trekk kniven rundt for hånd for å kontrollere at den roterer fritt.
-



ADVARSEL: Bruk vernehansker. Kniven er svært skarp, og det er lett å kutte seg.

11. Start produktet for å teste kniven. Hvis kniven ikke er riktig festet, vil produktet vibrere, eller klipperesultatet vil ikke bli bra nok.

Slik kontrollerer du oljenivået



OBS: For lavt oljenivå kan forårsake alvorlige motorskader. Kontroller oljenivået før du starter produktet.

1. Sett produktet på et flatt underlag.
 2. Steng drivstoffkranen.
 3. Ta av oljetankklokke med den medfølgende peilepinnen.
 4. Fjern gjenværende olje fra peilepinnen.
 5. Stikk peilepinnen ned i tanken, men ikke stram oljetankklokke.
 6. Fjern peilepinnen.
 7. Kontroller oljenivået på peilepinnen.
 8. Hvis oljenivået er lavt, fyller du på motorolje og utfører en ny kontroll av oljenivået. Oljenivået er riktig når olje når opp til øverste merke på peilepinnen.
-

Slik skifter du motorolje



ADVARSEL: Motorolje er svært varm rett etter at motoren har stoppet. La motoren bli avkjølt før du tapper ut motorolje. Rengjør med såpe og vann hvis du søler motorolje på huden.

1. Bruk produktet til drivstofftanken er tom.
2. Fjern tenningskabelen fra tennpluggen.
3. Ta av oljetankklokke.
4. Sett en beholder under produktet for å samle opp olje.
5. Vipp produktet for å tappe av oljen fra tanken.
6. Fyll på ny motorolje av typen som anbefales i *Tekniske data på side 226*.
7. Kontroller oljenivået. Se *Slik kontrollerer du oljenivået på side 224*.

Slik rengjør du luftfilteret



OBS: Ikke la motoren kjøre uten luftfilter eller med et skittent luftfilter.



OBS: Skift luftfilteret hvis det ikke blir helt rent, eller hvis det er skadet. Et defekt luftfilter forårsaker skade på motoren.

1. Trykk på låsetappene (A), ta av luftfilterdekselet (B) og ta ut luftfilteret (C). (Fig. 41)
2. Slå luftfilteret mot en hard overflate, eller blås trykkluft gjennom luftfilteret fra den rene siden av luftfilteret.



OBS: Ikke bruk en børste til å fjerne smuss ettersom dette skyver smuss inn i luftfilteret.

3. Rengjør luftfilterholderen (D) og luftfilterdekselet med en fuktig klut.



OBS: Sørg for at det ikke kommer smuss inn i luftkanalen (E).

4. Monter luftfilteret. Kontroller at luftfilteret er helt forsegle mot luftfilterholderen.
5. Sett på luftfilterdekselet igjen med de nedre flikene først.

Kontrollere tennpluggen



OBS: Bruk alltid anbefalt type tennplugg. Feil tennpluggtype kan føre til skade på produktet.

- Undersøk tennpluggen hvis motorens effekt er for lav, ikke er enkel å starte eller ikke fungerer riktig på tomgang.
- Følg disse instruksjonene for å redusere risikoen for uønsket materiale på tennpluggenes elektroder:
 - a) Pass på at tomgangsturtallet er riktig justert.
 - b) Pass på at drivstoffblandingen er riktig.
 - c) Kontroller at luftfilteret er rent.
- Hvis tennpluggen er skitten, må du rengjøre den og samtidig kontrollere at elektrodeavstanden er riktig. Se *Tekniske data på side 226*. (Fig. 42)
- Skift tennpluggen når det er nødvendig.

Slik undersøker du drivstoffsystemet

- Undersøk drivstofflokket og pakningen til lokket for å sikre at det ikke er noen skader.
- Undersøk drivstoffslangen for å sikre at det ikke finnes lekkasjer. Hvis drivstoffslangen er ødelagt, må du la et serviceverksted skifte den ut.

Slik justerer du clutchvaieren

Hvis driften føles langsam, er det nødvendig å justere clutchvaieren.

- Drei justeringsskruen. (Fig. 43)

Clutchvaieren er riktig justert når clutchvaierbraketten er på linje med mutteren.

(Fig. 44)

Transport, oppbevaring og avhending

Transport og oppbevaring

- Før oppbevaring og transport av produktet og drivstoff, må du kontrollere at det ikke finnes lekkasjer eller gasser. Gnister eller åpen ild, for eksempel fra elektriske apparater eller varmekjeler, kan starte en brann.
- Bruk alltid godkjente beholdere for oppbevaring og transport av drivstoff.
- Tøm drivstofftanken før du setter produktet til oppbevaring over en lengre periode. Lever drivstoffet hos en returstasjon.
- Sørg for sikkert feste av produktet under transport for å unngå skader og ulykker.

- Oppbevar produktet på et låst sted for å hindre tilgang for barn eller personer som ikke er godkjent.
- Oppbevar produktet på et tørt og frostfritt sted.

Kassering

- Følg lokale gjenvinningsbestemmelser og gjeldende regelverk.
- Kast alle kjemikalier, for eksempel motorolje eller drivstoff, på et servicesenter eller en returstasjon.
- Når produktet ikke lenger er i bruk, kan du sende det til en Husqvarna-forhandler eller kaste det ved et returpunkt.

Tekniske data

Tekniske data

	KLIPPO LB 448S	KLIPPO LB 453S	KLIPPO LB 548S e
Motor			
Merke	Honda	Honda	Honda
Volum, cm ³	145	166	166
Hastighet, o/min.	2900	2900	2900
Nominell motoreffekt, kW ⁸⁶	2,7	3,3	3,3
Tenningsystem			
Tennplugg	NGK BPR5ES	NGK BPR5ES	NGK BPR5ES
Elektrodeavstand, mm	0,7–0,8	0,7–0,8	0,7–0,8
Drivstoff-/smøresystem			
Volum drivstofftank, liter	0,9	0,9	0,9
Volum oljetank, liter	0,55	0,5	0,55
Motorolje ⁸⁷	SAE 10W-30	SAE 10W-30	SAE 10W-30
Vekt			
Med tomme tanker, kg	30,5	33	32,5
Støyutslipp ⁸⁸			
Lydeffektnivå, målt dB (A)	90	91	90
Lydeffektnivå, garantert L _{WA} dB (A)	91	94	91
Lydnivåer ⁸⁹			
Lydtrykknivå ved brukerens øre, dB (A)	77	78	78
Vibrasjonsnivåer, a_{hveq} ⁹⁰			
Styre, m/s ²	4,5	5,3	4,8
Skjærestyr			
Klippehøyde, mm	30–60	30–60	30–60

⁸⁶ Motorens merkeeffekt er gjennomsnittlig nettoeffekt (ved angitt turtall) for en typisk produksjonsmotor for motormodellen, målt ifølge SAE-standarden J1349/ISO1585. Masseproduserte motorer kan avvike fra denne verdien. Faktisk effekt for motoren montert på det ferdige produktet vil avhenge av driftshastighet, klimaforhold og andre verdier.

⁸⁷ Bruk motorolje av kvaliteten SG–SH. Se viskositetstabellen i motorprodusentens håndbok, og velg viskositeten som er best egnet, basert på forventet utendørstemperatur.

⁸⁸ Utslipp av støy til omgivelsene målt som lydeffekt (L_{WA}) samsvarer med EF-direktiv 2000/14/EF.

⁸⁹ Lydtrykknivå i henhold til ISO 5395. Rapporterte data for ekvivalent lydtrykknivå for maskinen har en typisk statistisk spredning (standardavvik) på 1,2 dB (A).

⁹⁰ Vibrasjonsnivå i henhold til ISO 5395. Rapporterte data for vibrasjonsnivå har en typisk statistisk spredning (standard avvik) på 0,2 m/s².

	KLIPPO LB 448S	KLIPPO LB 453S	KLIPPO LB 548S e
Klippebredde, cm	480	530	480
Hode	Finfordeler – 48 cm 5028813-10	Finfordeler – 53 cm 5028814-10	Finfordeler – 48 cm 5028813-10
Kjør			
Hastighet, km/t	4,5	4,5	4,5

EF-samsvarserklæring

Husqvarna AB, SE-561 82 Huskvarna, Sverige, tlf.: + 46 36 146500, erklærer at **-gressklippere Husqvarna og KLIPPO LB 448S, KLIPPO LB 453S, KLIPPO LB 548S** med serienummer 2020xxxxxxx og fremover samsvarer med kravene i følgende RÅDSDIREKTIV:

- fra 17. mai 2006, «angående maskiner» **2006/42/EF**
- fra 26. februar 2014 «angående elektromagnetisk kompatibilitet» **2014/30/EU**
- fra 8. mai 2000 «angående utslipp av støy til omgivelsene» **2000/14/EF**
- fra 8. juni 2011 «om begrensning i bruk av visse farlige stoffer i elektrisk og elektronisk utstyr» **2011/65/EU**

For informasjon som gjelder støyutslipp, kan du se avsnittet Tekniske data.

Følgende standarder er blitt brukt:

EN ISO 5395-1, EN ISO 5395-2, EN ISO 5395-2 Amd1, EN ISO 5395-2 Amd 2, EN 55012, EN 50581:2012

Hvis ikke annet er angitt, er de ovenfor oppgitte standarder de nyeste publiserte versjonene.

Kontrollorgan: **0404, RISE SMP Svensk Maskinprovning AB, Box 7035, SE-750 07 Uppsala** har utstedt rapporter om samsvarsvurdering i henhold til tillegg VI i EUROPAPARLAMENTS- OG RÅDSDIREKTIV av 8. mai 2000 «angående utslipp av støy til omgivelsene» 2000/14/EF.

Huskvarna, 2020-09-16



Claes Losdal, Development Manager/hageprodukter
(autorisert representant for Husqvarna AB og ansvarlig for teknisk dokumentasjon)

SPIS TREŚCI

Wstęp.....	229	Przeгляд.....	235
Bezpieczeństwo.....	230	Transport, przechowywanie i utylizacja.....	238
Montaż.....	233	Dane techniczne.....	239
Przeznaczenie.....	234	Deklaracja zgodności WE.....	241

Wstęp

Opis produktu

Produkt jest rotacyjną kosiarką obsługiwaną przez operatora pieszego, wyposażoną w funkcję BioClip®, która umożliwia cięcie trawy na nawóz.

Przeгляд produktu

(Rys. 1)

1. Uchwyt / uchwyt sterowniczy
2. Uchwyt hamulca silnika
3. Dźwignia sterowania
4. Rączka linki rozrusznika
5. Korek zbiorniczka oleju
6. Osłona paska
7. Tłumik
8. Świeca zapłonowa
9. Osłona paska
10. Zbiornik paliwa
11. Dźwignia do regulacji kąta uchwytu
12. System tłumienia drgań
13. Regulacja linki sprzęgła
14. Uchwyt dolny
15. Dźwignia regulacji wysokości koszenia
16. Zawór paliwa
17. Filtr powietrza
18. Osłona modułu tnącego
19. Podkładka sprężynowa
20. Śruba noża
21. Nóż
22. Wspornik noża
23. Wkładka mulczująca (KLIPPO LB 448S, KLIPPO LB 548S e)
24. Instrukcja obsługi

Symbole znajdujące się na produkcie

- (Rys. 2) **OSTRZEŻENIE:** Następstwem nieuważnej lub nieprawidłowej obsługi mogą być obrażenia lub śmierć użytkownika bądź innych osób.
- (Rys. 3) Przed przystąpieniem do pracy prosimy dokładnie i ze zrozumieniem zapoznać się z treścią niniejszej instrukcji obsługi.

Przeznaczenie

Produkt służy fo cięcia trawy. Nie używać produktu do innych zadań.

- (Rys. 4) Należy uważać na odrzucone i rykoszetujące przedmioty.
- (Rys. 5) Ludzie i zwierzęta powinny przebywać w bezpiecznej odległości od obszaru roboczego.
- (Rys. 6) Przed rozpoczęciem napraw lub konserwacji urządzenia wyłączyć silnik i zdjąć przewód zapłonowy.
- (Rys. 7) Ostrzeżenie: Nie zbliżać dłoni i stóp do części obrotowych.
- (Rys. 8) Ostrzeżenie: Ręce i stopy należy trzymać z dala od obracającego się noża.
- (Rys. 9) Niniejszy produkt jest zgodny z obowiązującymi dyrektywami wspólnoty europejskiej.
- (Rys. 10) Emisje hałasu do środowiska zgodnie z dyrektywą europejską 2000/14/EC i przepisami Nowej Południowej Walii „Protection of the Environment Operations (Noise Control) Regulation 2017”. Dane dotyczące emisji hałasu można znaleźć na etykiecie maszyny oraz w rozdziale „Dane techniczne”.
- (Rys. 11) Kod do przeskanowania.

Uwaga: Pozostałe symbole/naklejki samoprzylepne umieszczone na produkcie dotyczą wymogów związanych z certyfikatami w niektórych obszarach komercyjnych.

Naklejka na produkcie, wyłącznie dla Australii i Nowej Zelandii

(Rys. 12)

Ręce i stopy należy trzymać z dala od obracającego się ostrza.

Emisje Euro V



OSTRZEŻENIE: Ingerencja w silnik powoduje unieważnienie europejskiego zatwierdzenia typu produktu.

Odpowiedzialność za produkt

Zgodnie z przepisami dotyczącymi odpowiedzialności za produkt nie ponosimy odpowiedzialności za szkody spowodowane przez nasz produkt, jeśli:

- produkt jest nieprawidłowo naprawiany.
- produkt jest naprawiany przy użyciu części niepochodzących od producenta lub niezatwierdzonych przez producenta.
- produkt jest wyposażony w akcesoria niepochodzące od producenta lub niezatwierdzone przez producenta.
- produkt nie jest naprawiany w autoryzowanym centrum serwisowym lub przez autoryzowaną placówkę.

Bezpieczeństwo

Definicje dotyczące bezpieczeństwa

Ostrzeżenia, uwagi i informacje są używane do zwrócenia uwagi na szczególnie ważne sekcje instrukcji obsługi.



OSTRZEŻENIE: Jest używane, gdy istnieje ryzyko poważnych obrażeń, śmierci operatora lub uszkodzenia otoczenia w wyniku nieprzestrzegania instrukcji obsługi.



UWAGA: Jest używane, gdy istnieje ryzyko uszkodzenia materiałów lub urządzenia w wyniku nieprzestrzegania instrukcji obsługi.

Uwaga: Stosuje się, aby przekazać więcej informacji, które są przydatne w danej sytuacji.

Ogólne zasady bezpieczeństwa



OSTRZEŻENIE: Przed rozpoczęciem użytkowania produktu przeczytać następujące ostrzeżenia.

- Produkt ten może być niebezpieczny w przypadku jego nieprawidłowego użytkowania i niezachowania ostrożności. Nieprzestrzeganie instrukcji bezpieczeństwa może spowodować obrażenia ciała lub śmierć.
- Podczas pracy urządzenie wytwarza pole elektromagnetyczne. W pewnych okolicznościach pole to może zakłócać pracę aktywnych lub pasywnych implantów medycznych. Przed użyciem tego produktu osoby z wszczepionym implantem medycznym powinny skonsultować się z lekarzem i

- producentem implantu w celu ograniczenia ryzyka poważnych lub śmiertelnych obrażeń.
- Zawsze zachowywać ostrożność i kierować się zdrowym rozsądkiem. Jeśli nie ma pewności, w jaki sposób należy obsługiwać ten produkt w konkretnej sytuacji, przed wznowieniem pracy należy porozmawiać z dealerem Husqvarna.
- Pamiętać o tym, że operator ponosi odpowiedzialność za wypadki z udziałem innych ludzi i ich własności.
- Utrzymywać produkt czystym. Upewnić się, że można łatwo odczytać oznaczenia i naklejki.
- Nie pozwalać używać maszyny jakimkolwiek osobom, które nie zapoznały się i nie zrozumiały zawartości instrukcji obsługi.
- Nie pozwalać dzieciom używać produktu.
- Należy trzymać dzieci z dala od obszaru roboczego. Zawsze musi jej towarzyszyć odpowiedzialna osoba dorosła.
- Nie pozwalać osobom nieznanym instrukcji używać maszyny.
- Należy zawsze kontrolować osobę o ograniczonych możliwościach fizycznych lub umysłowych podczas używania produktu. Zawsze musi jej towarzyszyć odpowiedzialna osoba dorosła.
- Osoba, która jest zmęczona, chora lub pod wpływem alkoholu, narkotyków lub leków nie może obsługiwać urządzenia. Stany te mają negatywny wpływ na wzrok, uwagę, koordynację i osąd.
- Nie stosować uszkodzonego produktu.
- Nie wolno dokonywać w maszynie zmian stanowiących modyfikację jej oryginalnej wersji. Nie używać maszyny, jeżeli istnieje podejrzenie, że ktoś inny wprowadził w niej zmiany.
- Nie wolno zmieniać ustawień prędkości obrotowej silnika.

Bezpieczeństwo miejsca pracy



OSTRZEŻENIE: Przed rozpoczęciem użytkowania produktu przeczytać następujące ostrzeżenia.

- Usunąć objekty, takie jak gałęzie, gałązki i kamienie z obszaru roboczego przed rozpoczęciem korzystania z maszyny.
- Objekty, które zderzają się z elementami tnącymi, mogą zostać wyrzucone i spowodować obrażenia osób i uszkodzenia przedmiotów. Osoby znajdujące się w pobliżu i zwierzęta powinny zachować bezpieczną odległość od maszyny.
- Nigdy nie należy używać produktu w niesprzyjających warunkach np. we mgle, w deszczu, przy silnym wietrze, na silnym mrozie, gdy występuje ryzyko wyładowań atmosferycznych. Korzystanie z maszyny w niesprzyjających warunkach lub w wilgotnych czy mokrych lokalizacjach jest męczące. Niesprzyjające warunki pogodowe mogą stworzyć niebezpieczne warunki, takie jak śliskie powierzchnie.
- Należy uważać na osoby, przedmioty i sytuacje, które mogą uniemożliwić bezpieczną obsługę maszyny.
- Należy zwracać uwagę na przeszkody, takie jak korzenie, kamienie, gałązki, dziury i doły. Wysoka trawa może zasłaniać przeszkody.
- Koszenie trawy na pochyłościach może być niebezpieczne. Nie należy używać maszyny na pochyłościach terenu przekraczających 15°.
- Należy używać maszyny, prowadząc ją w poprzek zbocza. Nie należy jeździć w górę i w dół zbocza.
- Zachować ostrożność podczas zbliżania się do narożników lub innych obiektów, które mogą ograniczać widoczność.

Pracuj bezpiecznie



OSTRZEŻENIE: Przed rozpoczęciem użytkowania produktu przeczytać następujące ostrzeżenia.

- Używać maszyny wyłącznie do przycinania trawników. Nie jest dozwolone wykorzystanie maszyny do innych zadań.
- Stosuj środki ochrony osobistej. Patrz *Środki ochrony osobistej na stronie 231*.
- Należy zawsze wiedzieć, jak szybko wyłączyć silnik w razie awarii.
- Nigdy nie należy uruchamiać silnika w zamkniętej przestrzeni lub w pobliżu łatwopalnych materiałów. Spaliny silnikowe mają wysoką temperaturę, mogą zawierać iskry, które mogą się stać przyczyną pożaru.
- Nie należy obsługiwać maszyny, jeśli ostrze oraz wszystkie pokrywy nie zostały prawidłowo

zamocowane. Nieprawidłowo zamocowane ostrze może się obulzować i spowodować obrażenia.

- Należy upewnić się, że ostrze nie uderza w żadne objekty, takie jak kamienie czy korzenie. Może to spowodować uszkodzenie ostrza oraz wygięcie wału silnika. Zgięta oś powoduje silne wibracje oraz bardzo wysokie zagrożenie obulzowaniem ostrza.
- Jeśli ostrze uderzy w jakikolwiek obiekt lub jeśli wystąpią wibracje, należy natychmiast wyłączyć maszynę. Odłączyć przewód zapłonowy od świecy zapłonowej. Należy sprawdzić maszynę pod kątem uszkodzeń. Należy naprawić uszkodzenia lub zlecić przeprowadzenie naprawy przez autoryzowany punkt serwisowy.
- Nigdy nie należy na stałe przymocowywać uchwytu hamulca silnikowego do uchwytu podczas pracy silnika.
- Maszynę należy ustawić na stabilnej, płaskiej powierzchni i ją uruchomić. Należy upewnić się, że ostrza nie uderzają w podłoże lub inne przedmioty.
- Podczas obsługi maszyny zawsze należy stać za nią.
- Podczas obsługi maszyny należy upewnić się, że wszystkie koła dotykają podłoża oraz trzymać na kierownicy obie dłonie. Ręce i stopy należy trzymać z dala od obracających się noży.
- Nie przechylać produktu, kiedy uruchomiony jest silnik.
- Należy zachować ostrożność podczas ciągnięcia maszyny do tyłu.
- Nigdy nie należy podnosić maszyny przy włączonym silniku. Jeśli konieczne jest podniesienie maszyny, najpierw należy wyłączyć silnik i odłączyć przewód zapłonowy od świecy zapłonowej.
- Nie należy poruszać się do tyłu podczas obsługi maszyny.
- Podczas poruszania się po obszarach bez trawy, na przykład po żwirowych, kamiennych lub asfaltowych ścieżkach, należy wyłączyć silnik.
- Nie należy biegać z maszyną przy włączonym silniku. Podczas obsługi maszyny zawsze należy poruszać się chodem.
- Przed zmianą wysokości koszenia należy wyłączyć silnik. Nigdy nie należy wykonywać regulacji przy uruchomionym silniku.
- Nigdy nie należy pozostawiać maszyny poza zasięgiem wzroku przy włączonym silniku. Należy wyłączyć silnik i upewnić się, że narzędzia tnące nie obracają się.

Instrukcje bezpieczeństwa dotyczące obsługi

Środki ochrony osobistej



OSTRZEŻENIE: Przed rozpoczęciem użytkowania produktu przeczytać następujące ostrzeżenia.

- Środki ochrony osobistej nie eliminują całkowicie ryzyka odniesienia obrażeń, natomiast ograniczają ich rozmiar w razie zaistnienia wypadku. Skorzystać z pomocy dealera przy wyborze odpowiedniego sprzętu.
- Jeśli poziom hałasu przekracza 85 dB, należy stosować ochronniki słuchu.
- Należy używać mocnego, przeciwpoślizgowego obuwia ochronnego lub obuwia roboczego. Nie należy używać otwartego obuwia lub chodzić boso.
- Stosować wytrzymałe, długie spodnie.
- W razie potrzeby, na przykład podczas mocowania, badania czy czyszczenia narzędzi tnących, stosować rękawice ochronne.

Zespoły zabezpieczające na osprzęcie



OSTRZEŻENIE: Przed rozpoczęciem użytkowania produktu przeczytać następujące ostrzeżenia.

- Nie należy używać maszyny z uszkodzonymi urządzeniami zabezpieczającymi.
- Regularnie przeprowadzać kontrole urządzeń zabezpieczających. Jeśli urządzenia zabezpieczające są uszkodzone, skontaktować się z warsztatem obsługi technicznej Husqvarna.

Sprawdzanie osłony modułu tnącego

Osłona modułu tnącego ogranicza drgania urządzenia i obniża ryzyko odniesienia obrażeń od ostrza.

- Zbadać osłonę modułu tnącego, aby upewnić się, że nie nosi ona znamion uszkodzenia, takich jak pęknięcia.

Sprawdzanie osłony paska

Osłona paska zmniejsza ryzyko odniesienia obrażeń i zapobiega odrzuceniu uszkodzonego paska napędowego.

- Upewnić się, że osłona paska nie jest uszkodzona i że jest prawidłowo zamocowana. (Rys. 13)

Sprawdzanie osłony paska

Osłona paska zmniejsza ryzyko odniesienia obrażeń i zapobiega odrzuceniu uszkodzonego paska napędowego.

- Upewnić się, że osłona paska nie jest uszkodzona i że jest prawidłowo zamocowana. (Rys. 14)

Uchwyt hamulca silnika

Uchwyt hamulca silnika zatrzymuje silnik. Po zwolnieniu uchwytu hamulca silnika następuje wyłączenie silnika.

Aby przeprowadzić badanie hamulca silnika, uruchomić silnik, a następnie zwolnić uchwyt hamulca silnika. Jeśli silnik nie wyłączy się w czasie 3 sekund, zatwierdzony

serwis obsługi technicznej Husqvarna powinien wyregulować hamulec silnika.

(Rys. 15)

Sprawdzanie układu tłumienia drgań



OSTRZEŻENIE: Narażenie operatora na nadmierne działanie drgań może powodować uszkodzenia układu krążenia i układu nerwowego, szczególnie u osób z niewydolnością układu krążenia. Zwrócić się do lekarza w przypadku rozpoznania u siebie objawów dolegliwości somatycznych, których przyczyną może być wystawienie na nadmierne drgania. Przykładem takich symptomów jest dętwienie, utrata czucia, mrowienie, kłucie, ból, utrata sił, zmiany koloru skóry lub jej stanu. Objawy te zazwyczaj są odczuwalne w palcach, dłoniach i nadgarstkach.

Układ tłumienia drgań zmniejsza drgania na uchwytach podczas pracy urządzenia.

Stalowa rura w uchwycie sterowniczym i osłona modułu tnącego zmniejszają drgania. Model KLIPPO LB 548S e jest również wyposażony w 4 amortyzatory przymocowane do uchwytu sterowniczego.

- Sprawdzić uchwyt sterowniczy i amortyzatory w celu upewnienia się, że nie są uszkodzone. (Rys. 16)

Wspornik ostrza

Wspornik ostrza zmniejsza ryzyko wygięcia wału silnika. Jeśli ostrze uderza w jakikolwiek obiekt, porusza się tak, aby dotykało wspornika ostrza. Ruch ten powoduje zużycie powierzchni wspornika ostrza. Zużycie wykazuje, że ochrona wału silnika funkcjonuje prawidłowo.

Tłumik

Tłumik ogranicza do minimum poziom hałasu i odprowadza spaliny poza strefę pracy operatora.

Nie używać produktu, jeśli tłumik nie jest zamontowany lub jest uszkodzony. Uszkodzony tłumik zwiększa poziom hałasu oraz ryzyko pożaru.



OSTRZEŻENIE: Tłumik nagrzewa się do wysokiej temperatury podczas użytkowania oraz gdy silnik pracuje na obrotach biegu jałowego, oraz pozostaje gorący przez pewien czas po wyłączeniu silnika. W przypadku zbliżenia się do łatwopalnych materiałów i/lub spalin należy zachować szczególną ostrożność, aby zapobiec pożarowi.

Sprawdzanie tłumika

- Przeprowadzać regularne kontrole tłumika, aby upewnić się, że jest prawidłowo zamontowany i sprawny.

Zasady bezpieczeństwa dotyczące paliwa



OSTRZEŻENIE: Przed rozpoczęciem użytkowania produktu przeczytać następujące ostrzeżenia.

- Nie uruchamiać produktu, jeśli znajduje się na nim paliwo lub olej silnikowy. Usunąć zabrudzenia paliwem/olejem i odczekać, aż produkt wyschnie.
- W przypadku rozlania paliwa na ubranie należy je natychmiast zmienić.
- Nie dopuścić do kontaktu paliwa z ciałem, ponieważ może to spowodować obrażenia. W przypadku kontaktu paliwa z ciałem należy użyć wody z mydłem w celu jego usunięcia.
- Nie uruchamiać maszyny, jeśli silnik jest nieszczelny. Regularnie sprawdzać silnik pod kątem nieszczelności.
- Zachować ostrożność przy pracy z paliwem. Paliwo jest łatwopalne, a jego opary mogą wybuchnąć, powodując obrażenia lub śmierć.
- Nie wdychać oparów paliwa, ponieważ może to być groźne dla zdrowia lub życia. Zapewnić odpowiednią wentylację.
- Nie palić tytoniu w pobliżu paliwa lub silnika.
- Nie umieszczać gorących przedmiotów w pobliżu paliwa lub silnika.
- Nie dolewać paliwa podczas pracy silnika.
- Przed tankowaniem upewnić się, że silnik jest zimny.
- Przed tankowaniem pomału odkręcić korek zbiornika paliwa i ostrożnie zwolnić ciśnienie.
- Nie dolewać paliwa do silnika w zamkniętym pomieszczeniu. Niewystarczający przepływ powietrza może doprowadzić do obrażeń lub śmierci na skutek uduszenia lub zatrucia tlenkiem węgla.
- Do końca dokręcić korek zbiornika paliwa. W przypadku braku dokręcenia korka zbiornika paliwa istnieje ryzyko powstania pożaru.

- Przed uruchomieniem należy przenieść produkt o najmniej 3 metry / 10 stóp od miejsca, w którym napelniany był zbiornik paliwa.
- Nie napelniać zbiornika paliwa całkowicie. Ciepło powoduje zwiększenie objętości paliwa. Pozostawić wolną przestrzeń na górze zbiornika.

Instrukcje bezpieczeństwa dotyczące konserwacji



OSTRZEŻENIE: Przed rozpoczęciem użytkowania produktu przeczytać następujące ostrzeżenia.

- Spaliny z silnika zawierają tlenek węgla, który jest bezwonnym, trującym i niebezpiecznym gazem. Nie należy uruchamiać silnika wewnątrz pomieszczeń lub w zamkniętych przestrzeniach.
- Przed rozpoczęciem konserwacji produktu wyłączyć silnik i odłączyć przewód zapłonowy ze świecy zapłonowej.
- W trakcie konserwacji narzędzi tnących należy korzystać z rękawic ochronnych. Ostrze jest bardzo ostre i może łatwo doprowadzić do skaleczenia.
- Niezatwierdzone przez producenta akcesoria i modyfikacje maszyny mogą spowodować poważne obrażenia lub śmierć. Nie należy modyfikować maszyny. Należy korzystać wyłącznie z akcesoriów zatwierdzonych do użytku przez producenta.
- W przypadku nieprawidłowo lub nieregularnie przeprowadzanej konserwacji wzrasta ryzyko obrażeń oraz uszkodzenia produktu.
- Konserwację należy przeprowadzać wyłącznie w sposób określony w instrukcji użytkownika. Wszelkie prace serwisowe muszą być wykonywane przez zatwierdzony serwis Husqvarna.
- Należy dopilnować przeprowadzania regularnej konserwacji maszyny przez autoryzowany serwis Husqvarna.
- Wymienić uszkodzone, zużyte lub zniszczone części.

Montaż

Wstęp



OSTRZEŻENIE: Przed złożeniem produktu należy przeczytać ze zrozumieniem rozdział poświęcony bezpieczeństwu.



OSTRZEŻENIE: Przed rozpoczęciem montażu produktu odłączyć

przewód świecy zapłonowej od świecy zapłonowej.

Montaż i regulacja uchwytu

- Wymontować nakrętkę uchwytu oraz podkładkę z płyty na górnym uchwycie.
- Ustawić górny uchwyt w pozycji na górnej części dolnego uchwytu.



UWAGA: Sprawdzić, czy przewody nie zostały zablokowane i czy nie są uszkodzone.

3. Przymocować podkładkę i nakrętkę uchwyty. (Rys. 17)
4. Podczas użytkowania produktu przy ścianiu należy obrócić uchwyt na bok, aby ustawić go w odpowiedniej pozycji roboczej. (Rys. 18)
5. Obrócić pokrętkę regulacyjną na podwoziu w celu wyregulowania uchwytu w pionie. (Rys. 19)

Montaż wkładki mulczącej KLIPPO LB 448S, KLIPPO LB 548S e

1. Przechylić produkt do tyłu tak, aby świeca zapłonowa znajdowała się na górze.
2. Włożyć trzpienie wkładki mulczącej w otwory od wewnętrznej strony osłony modułu tnącego. (Rys. 20)
3. Wkręcić śruby wkładki mulczącej od zewnętrznej strony osłony modułu tnącego. (Rys. 21)

Przeznaczenie

Wstęp



OSTRZEŻENIE: Przed użyciem urządzenia należy przeczytać ze zrozumieniem rozdział poświęcony bezpieczeństwu.

Husqvarna Connect

Husqvarna Connect to darmowa aplikacja na urządzenia mobilne. Husqvarna ConnectHusqvarna

- Extended product information.
- Information about, and help with, product parts and servicing.

Rozpoczęcie użytkowania Husqvarna Connect

1. Pobierz aplikację Husqvarna Connect na swoim urządzeniu mobilnym.
2. Zarejestruj się w aplikacji Husqvarna Connect.
3. Wykonaj instrukcje wyświetlane w aplikacji Husqvarna Connect, aby nawiązać połączenie i zarejestrować produkt.

Przed użyciem urządzenia

1. Należy dokładnie i ze zrozumieniem zapoznać się z treścią niniejszej instrukcji.
2. Należy sprawdzić narzędzia tnące, aby upewnić się, że są one prawidłowo zamontowane i wyregulowane. Patrz *Kontrola osprzętu tnącego na stronie 237*.
3. Napełnić zbiornik paliwa. Patrz *Uzupelnianie paliwa na stronie 234*.
4. Napełnić zbiornik oleju i wykonać kontrolę poziomu oleju. Patrz *Kontrola poziomu oleju na stronie 237*.

Uzupełnianie paliwa

Jeśli to możliwe, należy korzystać z niskoemisyjnej benzyny alkilatowej. W przypadku braku dostępności niskoemisyjnej benzyny alkilatowej należy korzystać z dobrej jakości benzyny bezołowiowej lub benzyny ołowiowej o liczbie oktanowej nie niższej niż 90.



UWAGA: Nie używać benzyny o liczbie oktanowej niższej niż 90 RON (87 AKI). Niezastosowanie się do tego zalecenia może spowodować uszkodzenie produktu.

1. Powoli otworzyć korek wlewowy w celu wyrównania ciśnienia.
2. Powoli napełniać zbiornik paliwa. W przypadku rozlania paliwa należy je usunąć przy użyciu ściereki i pozwolić na wyschnięcie pozostałego paliwa.
3. Oczyszczyć korek wlewowy i powierzchnię wokół niego.
4. Do końca dokręcić korek zbiornika paliwa. W przypadku braku dokręcenia korka zbiornika paliwa istnieje ryzyko powstania pożaru.
5. Przed uruchomieniem należy przenieść maszynę co najmniej 3 metry od miejsca, w którym napełniany był zbiornik paliwa.

Regulacja wysokości koszenia

Można ustawiać 6 różnych wysokości koszenia.

1. Przesunąć dźwignię wysokości koszenia do przodu w celu zwiększenia wysokości koszenia.
2. Przesunąć dźwignię wysokości koszenia do tyłu w celu zmniejszenia wysokości koszenia.



UWAGA: Nie należy ustawiać zbyt niskiej wysokości koszenia. Ostrza mogą uderzyć w podłoże, jeśli powierzchnia trawnika nie jest równa.

Uruchamianie maszyny

1. Należy upewnić się, że przewód zapłonowy jest połączony ze świecą zapłonową.
2. Otwórz zawór paliwa. (Rys. 22)
3. Należy pozostawać za maszyną.
4. Przytrzymać dźwignię hamulca silnika przy drążku sterującym. (Rys. 23)
5. Należy trzymać rączkę linki rozrusznika prawą dłonią.

6. Powoli pociągnąć za linkę rozrusznika do poczucia oporu.
7. Pociągnąć, używając odpowiedniej siły, aby uruchomić silnik.



OSTRZEŻENIE: Nie owijaj linki rozrusznika wokół dłoni.



UWAGA: Nie wyciągać całkowicie linki rozrusznika. Nie puszczać uchwytu linki rozrusznika, gdy jest wyciągnięta.

Korzystanie z napędu kół

- Wcisnąć dźwignię sterowania. (Rys. 24)
- Przed pociągnięciem maszyny do tyłu należy odłączyć napęd i popchnąć maszynę do przodu o około 10cm.
- Nieznacznie zwolnić dźwignię hamulca silnika, aby odłączyć napęd na przykład w sytuacji zbliżania się do przeszkody.

Wyłączanie produktu

- Aby zatrzymać tylko napęd, należy nieznacznie zwolnić dźwignię hamulca silnika.
- Aby zatrzymać silnik, należy całkowicie zwolnić dźwignię hamulca silnika.
- Zamknij zawór paliwa. (Rys. 25)

Uzyskiwanie dobrych rezultatów

- Używać zawsze dobrze naostrzonych ostrzy. Stępione ostrze daje nierównomierne rezultaty, a ścinana powierzchnia żółknie. Naostrzone ostrze zużywa również mniej energii niż ostrze stępione.
- Nie należy kosić więcej niż 1/3 długości trawy. Najpierw należy kosić przy użyciu dużej wysokości koszenia do odpowiedniego poziomu. Jeśli trawa jest bardzo długa, w razie konieczności należy przejechać powoli i ścinać dwukrotnie.
- Kosić za każdym razem w różnych kierunkach, aby uniknąć powstawania pasów na trawniku.

Przegląd

Wstęp



OSTRZEŻENIE: Przed przeprowadzeniem konserwacji należy przeczytać i zrozumieć rozdział o bezpieczeństwie.

Do wykonywania wszelkich prac serwisowych i naprawczych konieczne jest specjalistyczne przeszkolenie. Gwarantujemy dostępność profesjonalnych napraw i usług serwisowych. Jeśli dany dealer nie jest autoryzowanym punktem serwisowym,

poprosz sprzedawcę o informacje na temat najbliższego autoryzowanego punktu serwisowego.

Plan konserwacji

Odstępny pomiędzy konserwacjami obliczane są w oparciu o codzienne wykorzystanie produktu. Odstępny te ulegają zmianie, jeśli maszyna nie jest użytkowana codziennie.

W przypadku konserwacji oznaczonych gwiazdką *, patrz instrukcje w *Zespoły zabezpieczające na sprzęcie na stronie 232.*

Przegląd	Codziennie	Co tydzień	Co miesiąc
Przeprowadzenie ogólnego przeglądu	X		
Kontrola poziomu oleju	X		
Wyczyszczenie maszyny	X		
Sprawdzić filtr powietrza	X		
Kontrola osprzętu tnącego	X		
Sprawdzanie osłony cięcia*	X		
Kontrola dźwigni hamulca silnikowego*	X		
Kontrola tłumika*		X	
Kontrola świecy zapłonowej		X	
Skontrolować pasek napędowy pod kątem uszkodzeń			X
Wyczyścić obudowę przekładni			X

Przegląd	Codziennie	Co tydzień	Co miesiąc
Wymienić olej (pierwszy raz po 5 godzinach użytkowania, następnie co 25 godzin i co roku)			X
Wymienić filtr powietrza			X
Kontrola układu paliwowego			X
Kontrola i regulacja napędu (linka sprężła)			X

Przegląd ogólny

- Należy upewnić się, że wszystkie nakrętki i śruby maszyny są odpowiednio dokręcone.

Czyszczenie maszyny od zewnątrz

- W celu usunięcia liści, trawy i brudu należy użyć szczotki.
- Należy upewnić się, że wlot powietrza zlokalizowany nad silnikiem nie jest zablokowany.
- Nie używać myjek wysokociśnieniowych do czyszczenia urządzenia.
- Jeśli do czyszczenia maszyny używana jest woda, nie należy polewać nią bezpośrednio silnika.

Czyszczenie powierzchni wewnętrznej osłony modułu tnącego

- Położyć maszynę na boku przy tłumiku skierowanym ku dołowi.



UWAGA: Jeśli maszyna położona zostanie ze skierowanym do dołu filtrem powietrza, może dojść do uszkodzenia silnika.

- Należy spłukać powierzchnie wewnętrzne osłony osprzętu tnącego wodą.

Kontrola paska napędowego i czyszczenie osłony przekładni

- Wykręcić 4 śruby na osłonie paska i zdjąć osłonę paska. (Rys. 26)
- Sprawdzić pasek napędowy i koła pasowe pod kątem uszkodzeń.
- Użyć szczotki do usunięcia liści, trawy i brudu z obudowy przekładni. (Rys. 27)

Wymiana i regulacja paska napędowego

- Wykręcić 4 śruby na osłonie paska i zdjąć osłonę paska. (Rys. 26)
- Umieścić płaski śrubokręt między kołpakiem a kołem na prawym przednim kole produktu.
- Ostrożnie obrócić śrubokręt, aby wymontować kołpak.

- Odkręcić śrubę mocującą koło i zdjąć koło. (Rys. 28)
- Zdjąć pasek napędowy z kół pasowych.
- Upewnić się, że koła pasowe poruszają się swobodnie na osi.
- W razie potrzeby nanieść olej penetrujący pomiędzy oraz za koła pasowe i nasmarować osie.
- Zamontować nowy pasek napędowy i zamocować go prawidłowo na łożysku kulkowym przed wyregulowaniem paska napędowego. (Rys. 29)
- Przesunąć łożysko kulkowe w górę lub w dół w celu wyregulowania paska napędowego. (Rys. 30)
- Przymocować osłonę paska.
- Użyć maszyny, aby upewnić się, że pasek napędowy jest prawidłowo zamontowany i wyregulowany.

Uwaga: Nowy pasek napędowy wydłuża się w miarę użycia. Wyregulować ponownie pasek napędowy po paru godzinach pracy.

Wymiana i regulacja paska środkowego

- Zdjąć ostrze.

Uwaga: Krok ten nie jest potrzebny w przypadku samej regulacji paska środkowego.

- Poluzować śruby regulacyjne o parę obrotów, ale nie wykręcać ich. (Rys. 31)
- Wymienić pasek środkowy i z umiarkowaną siłą dokręcić śruby regulacji.

Uwaga: Krok ten nie jest potrzebny w przypadku samej regulacji paska środkowego.

- Przesunąć przekładnię do przodu lub do tyłu, aby wyregulować pasek środkowy. (Rys. 32)
- Użyć podziałki w celu sprawdzenia naprężenia paska środkowego. Pasek ma prawidłowe naprężenie, gdy na środku porusza się w zakresie 6–10 mm. Odpowiada to naciągowi o wartości ok. 3 kg. (Rys. 33)
- Dokręcić całkowicie śruby regulacji momentem 3 Nm.

7. Użyć maszyny, aby upewnić się, że pasek napędowy jest prawidłowo zamontowany i wyregulowany.

Kontrola osprzętu tnącego



OSTRZEŻENIE: Aby zapobiec przypadkowemu uruchomieniu, należy odłączyć przewód zapłonowy od świecy zapłonowej.



OSTRZEŻENIE: W trakcie konserwacji narzędzi tnących należy korzystać z rękawic ochronnych. Ostrze jest bardzo ostre i może łatwo doprowadzić do skaleczenia.

1. Należy skontrolować, czy osprzęt tnący nie jest uszkodzony bądź pęknięty. Zawsze wymieniać uszkodzony osprzęt tnący.
2. Obejrzeć ostrze i upewnić się, że nie jest uszkodzone lub stępione.

Uwaga: Po ostrzeniu ostrze należy wypoziomować. Ostrzenie, wymiana i poziomowanie ostrza winno zostać przeprowadzone przez centrum serwisowe. W przypadku uderzenia w przeszkodę, która zatrzymuje maszynę, należy wymienić uszkodzone ostrze. Pozwolić, aby przedstawiciel serwisowy oszacował, czy ostrze można naostrzyć czy wymienić.

Wymiana noża

1. Zablokować nóż przy użyciu drewnianego bloku. (Rys. 34)
2. Wykręcić śrubę noża, wyjąć podkładkę sprężynową i nóż. (Rys. 35)
3. Skontrolować wspornik noża oraz śrubę noża pod kątem uszkodzeń.
 - a) Podczas wymiany noża lub wspornika noża należy również wymienić śrubę noża, podkładkę sprężynową i podkładkę cierną.
4. Skontrolować wał silnika, aby upewnić się, że nie jest zgięty.
5. Podczas mocowania nowego noża należy skierować zakrzywione końce noża ku osłonie modułu tnącego. (Rys. 36)
6. Umieścić podkładkę cierną i nóż tak, aby dotykały wspornika ostrza. (Rys. 37)
7. Upewnić się, że nóż jest wyrównany względem środka wału silnika. (Rys. 38)
8. Zablokować nóż przy użyciu drewnianego bloku. (Rys. 39)
9. Zamocować podkładkę sprężynową i dokręcić śrubę momentem dokręcania wynoszącym 80 Nm. (Rys. 40)

10. Obracać nożem za pomocą ręki i sprawdzić, czy obraca się swobodnie.



OSTRZEŻENIE: Stosować rękawice ochronne. Nóż jest bardzo ostry i może łatwo doprowadzić do skaleczenia.

11. Uruchomić maszynę w celu przetestowania noża. Jeśli nóż nie został zamontowany prawidłowo, maszyna będzie wibrować lub rezultaty koszenia będą niezadowolające.

Kontrola poziomu oleju



UWAGA: Za niski poziom oleju może doprowadzić do poważnego uszkodzenia silnika. Przed uruchomieniem maszyny należy skontrolować poziom oleju.

1. Postawić maszynę na równym podłożu.
2. Zamknij zawór paliwa.
3. Odkręcić korek zbiornika oleju z zamocowanym wskaźnikiem prętowym.
4. Zetrzeć olej z prętowego wskaźnika poziomu oleju.
5. Włożyć wskaźnik poziomu oleju, ale nie dokręcać korka zbiornika oleju.
6. Wyjąć prętowy wskaźnik poziomu oleju.
7. Sprawdzić poziom oleju na wskaźniku prętowym.
8. Jeśli poziom oleju jest zbyt niski, napełnić zbiornik olejem silnikowym i wykonać ponowną kontrolę poziomu oleju. Poziom oleju jest prawidłowy, gdy znajduje się na górnym oznaczeniu wskaźnika.

Wymiana oleju silnikowego



OSTRZEŻENIE: Olej silnikowy jest niezwykle gorący bezpośrednio po wyłączeniu silnika. Poczekać na ostygnięcie silnika przed spuszczeniem oleju silnikowego. W przypadku rozlania oleju silnikowego na skórę, zmyć go wodą z mydłem.

1. Obsługiwać maszynę do momentu opróżnienia zbiornika paliwowego.
2. Odłączyć przewód zapłonowy od świecy zapłonowej.
3. Odkręcić korek zbiornika oleju.
4. Umieścić pod maszyną pojemnik, do którego zebrany zostanie olej silnikowy.
5. Przechylić maszynę w celu spuszczenia oleju ze zbiornika.
6. Napełnić nowym olejem silnikowym zgodnym z zaleceniami zawartymi w *Dane techniczne na stronie 239*.

7. Skontrolować poziom oleju. Patrz *Kontrola poziomu oleju na stronie 237*.

Niewłaściwy typ świecy zapłonowej może spowodować uszkodzenie produktu.

Czyszczenie filtra powietrza



UWAGA: Nie uruchamiać silnika bez zamontowanego filtra powietrza i w przypadku, gdy filtr powietrza jest brudny.



UWAGA: Wymienić filtr powietrza, jeżeli nie może on być całkowicie oczyszczony lub jeśli jest uszkodzony. Wadliwy filtr powietrza powoduje uszkodzenia silnika.

1. Wcisnąć zaczepy blokujące (A), zdjąć pokrywę filtra powietrza (B) i wyjąć filtr powietrza (C). (Rys. 41)
2. Uderzyć filtrem o twardą powierzchnię lub przedmuchać filtr sprężonym powietrzem od jego czystszej strony.



UWAGA: Nie używać szczotki do usuwania brudu, ponieważ powoduje to wepchnięcie brudu do filtra.

3. Oczyszczyć uchwyt filtra powietrza (D) i pokrywę filtra powietrza wilgotną szmatką.



UWAGA: Upewnić się, że brud nie dostaje się do kanału powietrznego (E).

4. Zamontować filtr powietrza. Upewnić się, że filtr powietrza ściśle przylega do uchwyty filtra powietrza.
5. Zamontować pokrywę filtra powietrza, zaczynając od dolnych zaczepów.

Sprawdzanie świecy zapłonowej



UWAGA: Stosuj wyłącznie świece zapłonowe zalecane przez producenta.

- Sprawdzić świecę zapłonową, jeśli silnik ma za małą moc, trudno go uruchomić lub nie działa prawidłowo na biegu jałowym.
- Aby zmniejszyć ryzyko przedostawania się niepożądanych materiałów na elektrody świecy zapłonowej, należy przestrzegać poniższych instrukcji:
 - a) Dopilnować, by obroty biegu jałowego zostały prawidłowo wyregulowane.
 - b) Dopilnować, aby używana była odpowiednia mieszanka paliwowa.
 - c) Zadać o czystość filtra powietrza.
- Jeśli świeca zapłonowa jest zabrudzona, należy ją wyczyścić i upewnić się, że odstęp między elektrodami jest prawidłowy, patrz *Dane techniczne na stronie 239*. (Rys. 42)
- W razie potrzeby wymienić świecę zapłonową.

Kontrolowanie instalacji paliwowej

- Skontrolować korek zbiornika paliwa oraz uszczelkę korka zbiornika paliwa w celu upewnienia się, że nie występują żadne uszkodzenia.
- Skontrolować przewód paliwowy w celu upewnienia się, że nie przecieka. W przypadku uszkodzenia przewodu paliwowego zlecić jego wymianę przedstawicielowi serwisowemu.

Regulacja linki sprężła

Jeśli napęd wydaje się działać powoli, konieczne będzie wyregulowanie linki sprężła.

- Obrócić śrubę regulacyjną. (Rys. 43)

Linka sprężła jest prawidłowo wyregulowana, gdy jej wspornik jest wyrównany z nakrętką.

(Rys. 44)

Transport, przechowywanie i utylizacja

Transport i przechowywanie

- W zakresie przechowywania i transportu maszyny i paliwa należy upewnić się, że nie ma żadnych przecieków ani nie wydostają się z urządzenia żadne opary. Iskry lub otwarty płomień pochodzące, na przykład, z urządzeń elektrycznych lub kotłów, mogą wzniecić pożar.
- Zawsze należy korzystać z zatwierdzonych pojemników do przechowywania i transportu paliwa.
- Opróżnić zbiornik paliwa przed odłożeniem maszyny na dłuższy okres. Utylizacja paliwa w odpowiednim miejscu

- Podczas transportu, w celu zapobieżenia uszkodzeniom i wypadkom, maszynę należy bezpiecznie zamocować.
- Maszynę należy przechowywać w zamkniętym obszarze w celu uniemożliwienia dzieciom lub nieupoważnionym osobom uzyskania do niej dostępu.
- Produkt przechowywać w suchym obszarze nie narażonym na przymrozki.

Utylizacja

- Przestrzegać lokalnych wymogów dotyczących recyklingu oraz obowiązujących przepisów.

- Zutyliзовать wszelkie środki chemiczne, takie jak olej silnikowy i paliwo, w centrum serwisowym lub w odpowiednim miejscu utylizacji.
- Gdy produkt nie jest już użytkowany, należy go odesłać Husqvarna do dealera lub zutyliзовать w centrum utylizacji.

Dane techniczne

Dane techniczne

	KLIPPO LB 448S	KLIPPO LB 453S	KLIPPO LB 548S e
Silnik			
Marka	Honda	Honda	Honda
Pojemność, cm ³	145	166	166
Prędkość, obr./min	2900	2900	2900
Nominalna moc wyjściowa silnika (kW) ⁹¹	2,7	3,3	3,3
Układ zapłonowy			
Świeca zapłonowa	NGK BPR5ES	NGK BPR5ES	NGK BPR5ES
Odstęp między elektrodami świecy, w mm	0,7–0,8	0,7–0,8	0,7–0,8
Układ zasilania/smarowania			
Pojemność zbiornika paliwa, litry	0,9	0,9	0,9
Pojemność zbiornika oleju, w litrach	0,55	0,5	0,55
Olej silnikowy ⁹²	SAE 10W-30	SAE 10W-30	SAE 10W-30
Waga			
Z pustymi zbiornikami, kg	30,5	33	32,5
Poziom hałasu⁹³			
Zmierzony poziom mocy akustycznej, w dB(A)	90	91	90
Poziom głośności, gwarantowana moc akustyczna [L _{WA} dB(A)]	91	94	91
Poziomy głośności⁹⁴			
Poziom ciśnienia akustycznego przy uchu operatora, dB(A)	77	78	78

⁹¹ Moc silnika podana jest jako średnia, wyjściowa moc znamionowa (przy podanych obrotach) dla typowego modelu produkowanego silnika zmierzonego wg normy SAE J1349/ISO1585. Silniki produkowane masowo mogą odbiegać od tej wartości. Aktualna moc wyjściowa zainstalowanego w produkcie końcowym silnika zależy będzie od prędkości obrotowej, warunków otoczenia oraz innych wartości.

⁹² Używać olejów silnikowych wyłącznie o jakości SG–SH. Należy zapoznać się z tabelą lepkości oleju umieszczonej w instrukcji producenta silnika i wybrać optymalną lepkość, na podstawie przewidywanej temperatury zewnętrznej.

⁹³ Emisję hałasu do otoczenia zmierzono jako moc akustyczną (L_{WA}), zgodnie z dyrektywą WE 2000/14/WE.

⁹⁴ Poziomy ciśnienia akustycznego zgodnie z normą ISO 5395. Odnotowane dane dla ciśnienia akustycznego mają typowe rozproszenie statystyczne (odchylenie standardowe) w wysokości 1,2 dB (A).

	KLIPPO LB 448S	KLIPPO LB 453S	KLIPPO LB 548S e
Poziomy wibracji a_{hveq}⁹⁵			
Uchwyt, m/s ²	4,5	5,3	4,8
Osprzęt tnący			
Wysokość koszenia, mm	30–60	30–60	30–60
Szerokość koszenia, mm	480	530	480
Nóż	Mulczujący — 48 cm 5028813-10	Mulczujący — 53 cm 5028814-10	Mulczujący — 48 cm 5028813-10
Napęd			
Prędkość, km/h	4,5	4,5	4,5

⁹⁵ Poziom wibracji zgodnie z normą ISO 5395. Odnotowane dane dla poziomu wibracji mają typowe rozproszenie statystyczne (odchylenie standardowe) w wysokości 0,2 m/s².

Deklaracja zgodności WE

Deklaracja zgodności WE

Firma **Husqvarna AB**, SE-561 82 Huskvarna, Szwecja, tel.: +46-36-146500, oświadcza, że **kosiarki Husqvarna KLIPPO LB 448S, KLIPPO LB 453S, KLIPPO LB 548S e**, począwszy od urządzeń o numerach seryjnych 2020xxxxxx, są zgodne z wymogami zawartymi w DYREKTYWIE RADY:

- z 17 maja 2006 r. „dotyczącej maszyn” **2006/42/WE**
- z 26 lutego 2014 roku, „dotyczącej kompatybilności elektromagnetycznej” **2014/30/EU**
- z 8 maja 2000 roku, „dotyczącej emisji hałasu do otoczenia” **2000/14/WE**
- z 8 czerwca 2011 roku „dotyczącej ograniczenia użycia niektórych substancji niebezpiecznych w sprzęcie elektrycznym i elektronicznym” **2011/65/EU**

Informacje dotyczące emisji hałasu podano w rozdziale „Dane techniczne”.

Zostały zastosowane następujące normy:

EN ISO 5395-1, EN ISO 5395-2, EN ISO 5395-2 Amd1, EN ISO 5395-2 Amd 2, EN 55012, EN 50581:2012

Jeśli nie podano inaczej, wymienione powyżej normy to najnowsze opublikowane wersje.

Jednostka notyfikowana: **0404, RISE SMP Svensk Maskinprovning AB, Box 7035, SE-750 07 Uppsala** wydała raporty dotyczące zgodności z aneksem VI DYREKTYWY RADY 2000/14/WE dotyczącej emisji hałasu do środowiska z dnia 8 maja 2000 r.

Huskvarna, 2020-09-16



Claes Losdal, menedżer ds. rozwoju/produkty ogrodowe (autoryzowany przedstawiciel Husqvarna AB oraz osoba odpowiedzialna za dokumentację techniczną)

ÍNDICE

Introdução.....	242	Manutenção.....	248
Segurança.....	243	Transporte, armazenamento e eliminação.....	251
Montagem.....	246	Especificações técnicas.....	252
Funcionamento.....	247	Declaração CE de conformidade.....	254

Introdução

Descrição do produto

O produto é um corta-relva giratório de controlo apeado que utiliza BioClip® para cortar a relva e torná-la em fertilizante.

Vista geral do produto

(Fig. 1)

1. Punho/barra de direção
2. Manípulo de travão do motor
3. Alavanca de transmissão
4. Punho do cabo de arranque
5. Tampão do óleo
6. Proteção da correia
7. Silenciador
8. Vela de ignição
9. Proteção da correia
10. Depósito de combustível
11. Alavanca para o ajuste do ângulo do punho
12. Sistema antivibração
13. Ajuste do cabo da embraiagem
14. Barra inferior
15. Alavanca da altura de corte
16. Válvula de combustível
17. Filtro de ar
18. Cobertura de corte
19. Arruela de pressão
20. Parafuso da lâmina
21. Lâmina
22. Suporte da lâmina
23. Tampão de trituração (KLIPPO LB 448S, KLIPPO LB 548S e)
24. Manual do utilizador

Símbolos no produto

(Fig. 2) AVISO: A utilização indevida ou incorreta poderá provocar ferimentos ou a morte do operador ou de terceiros.

(Fig. 3) Leia o manual do utilizador com atenção e certifique-se de que compreende as instruções antes de utilizar o produto.

Finalidade

Utilize o produto para cortar a relva. Não utilize o produto para outras tarefas.

(Fig. 4) Tenha cuidado com objetos projetados e ricochetes.

(Fig. 5) Mantenha as pessoas e os animais a uma distância de segurança da área de trabalho.

(Fig. 6) Desligue o motor e retire o cabo de ignição antes de realizar tarefas de reparação ou manutenção.

(Fig. 7) Aviso: Mantenha as mãos e os pés afastados das peças rotativas.

(Fig. 8) Aviso: Mantenha as mãos e os pés afastados da lâmina rotativa.

(Fig. 9) Este produto está em conformidade com as diretivas aplicáveis da CE.

(Fig. 10) Emissões de ruído para o meio ambiente de acordo com a Diretiva Europeia 2000/14/CE e com o regulamento "Protection of the Environment Operations (Noise Control) Regulation 2017" (regulamento de proteção de operações no meio ambiente [controlo do ruído] de 2017) da Nova Gales do Sul. Os dados das emissões de ruído podem ser encontrados na etiqueta da máquina no capítulo Especificações técnicas.

(Fig. 11) Código para leitura.

Nota: Os restantes símbolos/autocolantes existentes no produto dizem respeito a requisitos para homologação em algumas áreas comerciais.

Autocolante no produto, apenas para a Austrália e Nova Zelândia

(Fig. 12)

Mantenha as mãos e os pés afastados da lâmina rotativa.

Emissões Euro V



ATENÇÃO: A adulteração do motor anula a aprovação deste produto pela UE.

Responsabilidade pelo produto

Como referido nas leis de responsabilidade pelo produto, não somos responsáveis por danos causados pelo nosso produto se:

- o produto tiver sido incorretamente reparado.
- o produto tiver sido reparado com peças que não sejam do fabricante ou que não sejam aprovadas pelo fabricante.
- o produto tiver um acessório que não seja do fabricante ou que não seja aprovado pelo fabricante.
- o produto não tiver sido reparado por um centro de assistência autorizado ou por uma autoridade aprovada.

Segurança

Definições de segurança

Os avisos, as precauções e as notas são utilizados para indicar partes especialmente importantes do manual.



ATENÇÃO: Utilizado no caso de existir risco de ferimento ou morte para o utilizador ou transeuntes, se não forem respeitadas as instruções do manual.



CUIDADO: Utilizado se existir risco de danos para o produto, para outros materiais ou para a área adjacente, se não forem respeitadas as instruções do manual.

Nota: Utilizado para disponibilizar informações adicionais necessárias numa determinada situação.

Instruções de segurança gerais



ATENÇÃO: Leia as instruções de aviso que se seguem antes de utilizar o produto.

- Este produto é perigoso se for utilizado de forma incorreta ou se não o utilizador for cuidadoso. Podem ocorrer ferimentos graves ou mesmo morte se as instruções de segurança não forem respeitadas.
- Este produto produz um campo eletromagnético durante o funcionamento. Em determinadas circunstâncias, este campo pode interferir com o funcionamento de implantes médicos ativos ou passivos. Para diminuir o risco de ferimentos graves ou mortais, recomendamos que os portadores de

implantes médicos consultem o seu médico e o fabricante do implante antes de utilizar este produto.

- Seja sempre cuidadoso e use o seu senso comum. Se não tiver a certeza sobre como utilizar o produto numa situação especial, pare e fale com o seu revendedor Husqvarna antes de continuar.
- Tenha em atenção que o utilizador é responsável pelos acidentes que incluam outras pessoas ou a respetiva propriedade.
- Mantenha o produto limpo. Certifique-se de que pode ler claramente os sinais e os autocolantes.
- O produto só pode ser utilizado por pessoas que lerem e compreenderam o conteúdo do manual do operador.
- Não deixe uma criança utilizar o produto.
- Mantenha as crianças afastadas da área de trabalho. Tem de estar sempre presente um adulto responsável.
- Não deixe que o produto seja utilizado por uma pessoa que não conhece as instruções.
- Monitorize sempre a utilização do produto por pessoas com diminuição da capacidade física ou mental. Tem de estar sempre presente um adulto responsável.
- Não utilize o produto se estiver cansado, doente ou sob a influência de álcool, drogas ou medicamentos. Estes têm um efeito negativo na sua visão, atenção, capacidade de discernimento ou controlo físico.
- Não utilize o produto se este apresentar algum defeito.
- Não altere este produto e não o utilize se houver a possibilidade de ter sido alterado por outros.
- Não altere o ajuste do controlo da velocidade do motor.

Segurança no local de trabalho



ATENÇÃO: Leia as instruções de aviso que se seguem antes de utilizar o produto.

- Retire objetos como ramos, galhos e pedras da área de trabalho antes de utilizar o produto.
- Os objetos que embatam no equipamento de corte podem ser projetados e causar danos a pessoas e objetos. Mantenha terceiros e animais a uma distância de segurança do produto.
- Nunca utilize o produto em más condições meteorológicas, como nevoeiro, chuva, ventos fortes, frio intenso e risco de trovoadas. A utilização do produto em más condições meteorológicas ou em localizações molhadas ou com humidade é cansativa. As más condições meteorológicas podem causar condições perigosas, como superfícies escorregadias.
- Observe se há pessoas, objetos e situações que possam impedir o funcionamento seguro do produto.
- Observe se há obstáculos como raízes, pedras, ramos, buracos e valas. A relva longa pode ocultar obstáculos.
- Cortar relva em declives pode ser perigoso. Não utilize o produto em terrenos com um declive superior a 15°.
- Utilize o produto ao longo da face dos declives. Não se desloque para cima e para baixo.
- Tenha cuidado ao aproximar-se de esquinas com pouca visibilidade e de objetos que possam impedir uma boa visibilidade.

Segurança do trabalho



ATENÇÃO: Leia as instruções de aviso que se seguem antes de utilizar o produto.

- Utilize este produto apenas para cortar relva. Não é permitido utilizá-lo para outras tarefas.
- Use equipamento de proteção pessoal. Consulte *Equipamento de proteção pessoal na página 244*.
- Certifique-se de que sabe como desligar o motor rapidamente em caso de emergência.
- Nunca ligue o motor num espaço fechado ou perto de material inflamável. Os gases de escape do motor são quentes e podem conter faíscas causadoras de incêndios.
- Não utilize o produto, a menos que a lâmina e todas as coberturas estejam corretamente montadas. Uma lâmina montada incorretamente pode soltar-se e causar ferimentos pessoais.
- Certifique-se de que a lâmina não atinge objetos como pedras e raízes. Isto pode causar danos à lâmina e dobrar o eixo do motor. Um eixo dobrado provoca fortes vibrações e um elevado risco de a lâmina se soltar.

- Se a lâmina atingir um objeto ou ocorrerem vibrações, pare o produto imediatamente. Desligue o cabo de ignição da vela de ignição. Examine se o produto apresenta sinais de danos. Repare os danos ou solicite a reparação numa oficina autorizada.
- Nunca ligue o manípulo de travão do motor de modo permanente ao punho durante o arranque do motor.
- Coloque o produto numa superfície estável e plana e ligue-o. Certifique-se de que a lâmina não atinge o solo ou outros objetos.
- Mantenha-se sempre por trás do produto quando o operar.
- Mantenha todas as rodas no chão e as duas mãos sobre o punho quando utilizar o produto. Mantenha as mãos e os pés afastados das lâminas rotativas.
- Não incline o produto quanto ligar o motor.
- Tenha cuidado quando puxar o produto para trás.
- Nunca levante o produto quando ligar o motor. Se tiver de levantar o produto, desligue primeiro o motor e o cabo de ignição da vela de ignição.
- Não caminhe para trás quando operar o produto.
- Desligue o motor quando se deslocar em zonas sem relva, por exemplo caminhos de gravilha, pedra e asfalto.
- Não corra com o produto quando o motor está ligado. Caminhe sempre que operar o produto.
- Pare o motor antes de mudar a altura de corte. Nunca efetue ajustes com o motor ligado.
- Nunca deixe o produto fora de vista com o motor ligado. Pare o motor e certifique-se de que o equipamento de corte não roda.

Instruções de segurança para funcionamento

Equipamento de proteção pessoal



ATENÇÃO: Leia as instruções de aviso que se seguem antes de utilizar o produto.

- O equipamento de proteção pessoal não previne totalmente os ferimentos mas diminui a respetiva gravidade em caso de acidente. Obtenha ajuda junto do seu concessionário para selecionar o equipamento certo.
- Utilize protetores acústicos se o nível de ruído for superior a 85 dB.
- Use botas ou sapatos antiderrapantes resistentes. Não use calçado aberto nem ande com os pés descalços.
- Use calças compridas e resistentes.
- Use luvas de proteção sempre que necessário, por exemplo, ao fixar, examinar ou limpar o equipamento de corte.

Dispositivos de segurança no produto



ATENÇÃO: Leia as instruções de aviso que se seguem antes de utilizar o produto.

- Não utilize o produto com dispositivos de segurança defeituosos.
- Verifique regularmente os dispositivos de segurança. Se os dispositivos de segurança estiverem defeituosos, fale com a sua oficina Husqvarna autorizada.

Verificar a cobertura de corte

A cobertura de corte reduz as vibrações no produto e o risco de ferimentos causados pela lâmina.

- Examine a cobertura de corte para se certificar de que não existem danos, como fissuras.

Verificar a proteção da correia

A proteção da correia reduz o risco de ferimentos e garante que uma correia da transmissão partida não é ejetada.

- Certifique-se de que a proteção da correia não está danificada e que está devidamente montada. (Fig. 13)

Verificar a proteção da correia

A proteção da correia reduz o risco de ferimentos e garante que uma correia da transmissão partida não é ejetada.

- Certifique-se de que a proteção da correia não está danificada e que está devidamente montada. (Fig. 14)

Manípulo de travão do motor

O manípulo de travão do motor para o motor. Quando o manípulo de travão do motor é libertado, o motor para.

Para fazer uma inspeção do travão do motor, ligue o motor e, em seguida, liberte o respetivo manípulo do travão. Se o motor não parar em 3 segundos, solicite o ajuste do travão do motor numa oficina Husqvarna autorizada.

(Fig. 15)

Verificar o sistema antivibração



ATENÇÃO: A sobreexposição a vibrações pode provocar lesões arteriais ou nervosas a pessoas com má circulação sanguínea. Procure assistência médica se sentir sintomas de sobreexposição a vibrações. Exemplos desses sintomas são entorpecimento, ausência de tato, comichões, pontadas, dor, ausência ou

redução da força normal, mudanças na cor da pele ou na sua superfície. Estes sintomas surgem normalmente nos dedos, nas mãos ou nos pulsos.

O sistema antivibração diminui a vibração no punho durante o funcionamento.

O tubo em aço na barra de direção e a cobertura de corte reduzem a vibração. O KLIPPO LB 548S e também contém 4 unidades antivibração fixas na barra de direção.

- Examine a barra de direção e as unidades antivibração para garantir que não existem danos. (Fig. 16)

Suporte da lâmina

O suporte da lâmina reduz o risco do eixo do motor dobrar. Se a lâmina atingir um objeto, a lâmina desloca-se contra o suporte da lâmina. O movimento provoca desgaste na superfície do suporte da lâmina. O desgaste indica que a proteção do eixo do motor funciona corretamente.

Silenciador

O silenciador mantém o mais baixo nível de ruído possível e afasta os gases de escape do utilizador.

Não utilize o produto se o silenciador estiver defeituoso ou estiver em falta. Um silenciador defeituoso aumenta o nível de ruído e o risco de incêndio.



ATENÇÃO: O silenciador fica muito quente durante e após a utilização e quando o motor funciona ao ralenti. Tenha cuidado junto de materiais inflamáveis e/ou vapores para evitar incêndios.

Verificar o silenciador

- Examine o silenciador regularmente para se certificar de que está bem fixo e não está danificado.

Segurança no manuseamento do combustível



ATENÇÃO: Leia as instruções de aviso que se seguem antes de utilizar o produto.

- Não ligue o produto se houver combustível ou óleo do motor sobre o produto. Remova o combustível/ óleo indesejado e deixe o produto secar.
- Se derramar combustível na sua roupa, troque de roupa imediatamente.
- Não deixe que o combustível entre em contacto com o seu corpo, pois pode causar ferimentos. Se o combustível entrar em contacto com o seu corpo, use sabão e água para o remover.
- Não ligue o produto se o motor tiver uma fuga. Examine regularmente o motor quanto a fugas.

- Tenha cuidado com o combustível. O combustível é inflamável e os gases são explosivos e podem causar ferimentos ou morte.
- Não respire os gases do combustível, podem causar ferimentos. Certifique-se de que existe um fluxo de ar suficiente.
- Não fume perto de combustível ou do motor.
- Não coloque objetos quentes perto do combustível ou do motor.
- Não acrescente combustível com o motor em funcionamento.
- Certifique-se de que o motor está frio antes de reabastecer.
- Antes de reabastecer, abra lentamente a tampa do depósito de combustível e liberte a pressão com cuidado.
- Não adicione combustível ao motor numa área interior. O fluxo de ar insuficiente pode causar ferimentos ou morte devido a asfixia ou monóxido de carbono.
- Aperte completamente a tampa de depósito de combustível. Se a tampa de depósito de combustível não estiver apertada, existe um risco de incêndio.
- Desloque o produto a uma distância mínima de 3 m (10 pés) da posição onde abasteceu o depósito antes de começar.
- Não encha totalmente o depósito de combustível. O calor provoca a expansão do combustível. Mantenha um espaço na parte superior do depósito de combustível.
- Os gases de escape do motor contêm monóxido de carbono, um gás inodoro, tóxico e altamente perigoso. Não ligue o motor em zonas interiores ou em espaços fechados.
- Antes de proceder à manutenção do produto, desligue o motor e retire o cabo de ignição da vela de ignição.
- Use luvas de proteção quando realizar a manutenção do equipamento de corte. A lâmina é muito afiada e pode facilmente provocar cortes.
- A utilização de acessórios e a realização de alterações no produto que não sejam aprovadas pelo fabricante podem causar ferimentos graves ou morte. Não altere o produto. Utilize sempre acessórios que sejam aprovados pelo fabricante.
- Se a manutenção não for realizada de forma correta e regular, o risco de ferimentos e danos no produto aumenta.
- Realize apenas tarefas de manutenção indicadas neste manual do proprietário. Todas as outras operações de manutenção devem ser realizadas por uma oficina Husqvarna autorizada.
- Leve o produto regularmente a uma oficina Husqvarna autorizada para realizar a manutenção.
- Substitua as peças danificadas, gastas ou partidas.

Instruções de segurança para manutenção



ATENÇÃO: Leia as instruções de aviso que se seguem antes de utilizar o produto.

Montagem

Introdução



ATENÇÃO: Antes de montar o produto, tem de ler e compreender o capítulo sobre segurança.



ATENÇÃO: Retire o cabo da vela de ignição antes de montar o produto.

Montar e ajustar o punho

1. Remova a arruela e a porca do punho da placa do punho superior.
2. Coloque o punho superior na devida posição na parte superior do punho inferior.



CUIDADO: Certifique-se de que os fios não estão presos ou danificados.

3. Fixe a arruela e a porca do punho. (Fig. 17)
4. Rode o punho para o lado, para uma boa posição de funcionamento quando utilizar o produto perto de uma parede. (Fig. 18)
5. Rode as rodas de ajuste no chassis para ajustar o punho verticalmente. (Fig. 19)

Para montar o tampão de trituração KLIPPO LB 448S, KLIPPO LB 548S e

1. Incline o produto para trás com a vela de ignição virada para cima.

2. Coloque os pinos do tampão de trituração nos orifícios a partir do lado interior da cobertura de corte. (Fig. 20)

3. Fixe os parafusos no tampão de trituração a partir do lado exterior da cobertura de corte. (Fig. 21)

Funcionamento

Introdução



ATENÇÃO: Antes de utilizar o produto, tem ler e compreender o capítulo sobre segurança.

Husqvarna Connect

A Husqvarna Connect é uma aplicação gratuita para o seu dispositivo móvel. A aplicação Husqvarna Connect disponibiliza funções alargadas para o seu produto Husqvarna:

- Informações alargadas sobre o produto.
- Informações sobre, e ajuda relacionada com peças e manutenção do produto.

Começar a utilizar Husqvarna Connect

1. Transfira a aplicação Husqvarna Connect para o seu dispositivo móvel.
2. Registe-se na aplicação Husqvarna Connect.
3. Siga os passos das instruções na aplicação Husqvarna Connect para ligar e registar o produto.

Antes de utilizar o produto

1. Leia o manual do utilizador com atenção e certifique-se de que compreende as instruções.
2. Examine o equipamento de corte para se certificar de que está corretamente montado e ajustado. Consulte o capítulo *Para examinar o equipamento de corte na página 249*.
3. Encha o depósito de combustível. Consulte o capítulo *Encher o depósito de combustível na página 247*.
4. Encha o depósito de combustível e verifique o nível do óleo. Consulte o capítulo *Para verificar o nível do óleo na página 250*.

Encher o depósito de combustível

Se disponível, utilize gasolina com base em alquilatos/ecológica. Se não estiver disponível gasolina com base em alquilatos/ecológica, utilize gasolina sem chumbo de boa qualidade ou gasolina com chumbo com um índice de octanas de pelo menos 90.



CUIDADO: Não utilize gasolina com um índice de octanas inferior a 90 RON (87 AKI). Caso contrário, pode causar danos ao produto.

1. Abra a tampa do depósito de combustível devagar para libertar a pressão.
2. Encha lentamente com um recipiente de combustível. Se derramar combustível, retire-o com um pano e deixe o combustível restante secar.
3. Limpe bem à volta da tampa do depósito de combustível.
4. Aperte completamente a tampa de depósito de combustível. Se a tampa de depósito de combustível não estiver apertada, existe um risco de incêndio.
5. Desloque o produto a uma distância mínima de 3 m (10 pés) da posição onde abasteceu o depósito antes de começar.

Definir a altura de corte

A altura de corte pode ser ajustada em 6 níveis.

1. Desloque a alavanca da altura de corte para a frente para aumentar a altura de corte.
2. Desloque a alavanca da altura de corte para trás para diminuir a altura de corte.



CUIDADO: Não regule a altura de corte demasiado baixa. As lâminas podem entrar em contacto com o solo se a superfície do relvado não estiver nivelada.

Para ligar o produto

1. Certifique-se de que o cabo de ignição está ligado à vela de ignição.
2. Abra a válvula de combustível. (Fig. 22)
3. Mantenha-se atrás do produto.
4. Segure o manípulo de travão do motor contra a barra de direção. (Fig. 23)
5. Segure o punho do cabo de arranque com a mão direita.
6. Puxe lentamente o cabo de arranque até sentir alguma resistência.
7. Puxe com força para fazer arrancar o motor.



ATENÇÃO: Não enrole o cabo de arranque na mão.



CUIDADO: Não estenda totalmente o cabo de arranque. Não solte o punho do cabo de arranque quando o cabo de arranque estiver estendido.

Utilizar a transmissão das rodas

- Empurre a alavanca de transmissão para baixo. (Fig. 24)
- Antes de puxar o produto para trás, desengate a transmissão e empurre o produto para a frente aproximadamente 10cm.
- Solte ligeiramente o punho de travão do motor para desengatar a transmissão, por exemplo quando se aproximar de um obstáculo.

Para desligar o produto

- Para parar apenas a transmissão, solte ligeiramente o punho de travão do motor.
- Para parar o motor, solte totalmente o punho de travão do motor.

- Feche a válvula de combustível. (Fig. 25)

Para obter bons resultados

- Utilize sempre uma lâmina bem afiada. Uma lâmina romba produz um resultado irregular e a superfície de corte da relva fica amarela. Uma lâmina afiada também gasta menos energia que uma lâmina romba.
- Não corte mais do que $\frac{1}{3}$ do comprimento da relva. Corte primeiro com a altura de corte alta. Examine o resultado e reduza a altura de corte para um nível aplicável. Caso a relva esteja muito comprida, avance lentamente e corte duas vezes, se necessário.
- Corte em diferentes direções de cada vez, para evitar a formação de linhas no relvado.

Manutenção

Introdução



ATENÇÃO: Antes de efetuar a manutenção, tem de ler e compreender o capítulo sobre segurança.

É necessária formação especial para realizar qualquer tarefa de manutenção ou reparação. Garantimos a disponibilidade de reparações e manutenção profissionais. Se o seu revendedor não for uma oficina

autorizada, pergunte-lhes onde se situa a oficina autorizada mais próxima.

Esquema de manutenção

Os intervalos de manutenção são calculados a partir da utilização diária do produto. Os intervalos são alterados se o produto não for utilizado diariamente.

Para manutenção identificada com * consulte as instruções em *Dispositivos de segurança no produto na página 245*.

Manutenção	Diariamente	Semanalmente	Mensalmente
Efetuar uma inspeção geral	X		
Examinar o nível do óleo	X		
Limpar o produto	X		
Limpe o filtro de ar	X		
Examinar o equipamento de corte	X		
Examinar a cobertura de corte*	X		
Examinar o manípulo de travão do motor*	X		
Examinar o silenciador*		X	
Examinar a vela de ignição		X	
Examine se a correia da transmissão apresenta sinais de danos			X
Limpe a caixa de engrenagem			X
Substitua o óleo (pela primeira vez após 5 horas de utilização, posteriormente após cada 25 horas de utilização e anualmente)			X
Substitua o filtro de ar			X
Examinar o sistema de combustível			X

Manutenção	Diariamente	Semanalmente	Mensalmente
Examinar e ajustar a transmissão (cabo da embraiagem)			X

Para efetuar uma inspeção geral

- Certifique-se de que todas as porcas e os parafusos do produto estão apertados corretamente.

Para limpar o produto externamente

- Utilize uma escova para remover folhas, relva e sujidade.
- Certifique-se de que a entrada de ar na parte superior do motor não está bloqueada.
- Não utilize uma máquina de lavar à pressão para limpar o produto.
- Se utilizar água para limpar o produto, não verta água diretamente sobre o motor.

Para limpar a superfície interior da cobertura de corte

1. Coloque o produto de lado com o silenciador virado para baixo.



CUIDADO: Se o produto for colocado com o filtro de ar para baixo, o motor pode sofrer danos.

2. Utilize uma mangueira para enxaguar a superfície interna da cobertura de corte com água.

Examinar a correia da transmissão e limpar a caixa de engrenagem

1. Remova os 4 parafusos da proteção da correia e remova a mesma. (Fig. 26)
2. Examine se a correia da transmissão e a polia apresentam sinais de danos.
3. Utilize uma escova para remover folhas, relva e sujidade da caixa de engrenagem. (Fig. 27)

Substituir e ajustar a correia da transmissão

1. Remova os 4 parafusos da proteção da correia e remova a mesma. (Fig. 26)
2. Coloque uma chave de parafusos plana entre o tampão de roda e a roda, na roda dianteira do lado direito do produto.
3. Rode a chave de parafusos cuidadosamente para remover o tampão de roda.
4. Remova o parafuso da roda e remova a roda. (Fig. 28)
5. Remova a correia da transmissão das polias.
6. Certifique-se de que as polias se movem facilmente nos eixos.

7. Se necessário, pulverize óleo penetrante entre e atrás das polias e lubrifique o eixo.
8. Instale uma nova correia da transmissão e fixe-a corretamente no rolamento de esferas antes de ajustar a correia da transmissão. (Fig. 29)
9. Desloque o rolamento de esferas para cima ou para baixo para ajustar a correia da transmissão. (Fig. 30)

Nota: Uma nova correia da transmissão fica mais longa após a utilização. Volte a ajustar a correia da transmissão após algumas horas de trabalho.

10. Encaixe a proteção da correia.
11. Utilize o produto para se certificar de que a correia da transmissão está corretamente instalada e ajustada.

Substituir e ajustar a correia central

1. Retire a lâmina.

Nota: Este passo não é necessário quando ajusta apenas a correia central.

2. Desaperte os parafusos de ajuste com algumas voltas, mas não os remova. (Fig. 31)
3. Substitua a correia central e aperte moderadamente os parafusos de ajuste.

Nota: Este passo não é necessário quando ajusta apenas a correia central.

4. Desloque a engrenagem para a frente ou para trás para ajustar a correia central. (Fig. 32)
5. Utilize uma balança de gancho para examinar a tensão da correia central. A correia tem a tensão correta quando pode ser deslocada 6–10 mm no centro. Isto equivale a uma tração de 3 kg. (Fig. 33)
6. Aperte totalmente os parafusos de ajuste com um binário de 3 Nm.
7. Utilize o produto para se certificar de que a correia da transmissão está corretamente instalada e ajustada.

Para examinar o equipamento de corte



ATENÇÃO: Para evitar o arranque acidental retire o cabo de ignição da vela de ignição.



ATENÇÃO: Use luvas de proteção quando realizar a manutenção do

equipamento de corte. A lâmina é muito afiada e pode facilmente provocar cortes.

1. Examine se o equipamento de corte está danificado ou se apresenta fissuras. Substitua sempre um equipamento de corte danificado.
2. Olhe para a lâmina para verificar se está danificada ou romba.

Nota: É necessário estabilizar a lâmina depois de ser afiada. Afie, substitua e estabilize a lâmina numa oficina especializada. Se atingir um obstáculo que faça o produto parar, substitua a lâmina danificada. Um centro de assistência deve avaliar se a lâmina pode ser afiada ou se tem de ser substituída.

Para substituir a lâmina

1. Bloquee a lâmina com um bloco de madeira. (Fig. 34)
2. Remova o perno da lâmina, a arruela e a lâmina. (Fig. 35)
3. Examine se o suporte da lâmina e o perno da lâmina apresentam sinais de danos.
 - a) Se substituir a lâmina ou suporte da lâmina, substitua também o perno da lâmina, a arruela e a arruela de fricção.
4. Examine o eixo do motor para se certificar de que não se encontra dobrado.
5. Quando colocar a lâmina nova, certifique-se de que as extremidades dobradas da lâmina apontam na direção da cobertura de corte. (Fig. 36)
6. Encoste a arruela de fricção e a lâmina no suporte da lâmina. (Fig. 37)
7. Certifique-se de que a lâmina está alinhada com a parte central do eixo do motor. (Fig. 38)
8. Bloquee a lâmina com um bloco de madeira. (Fig. 39)
9. Prenda a arruela de pressão e aperte o parafuso com um binário de 80 Nm. (Fig. 40)
10. Faça rodar a lâmina com a mão de modo a assegurar-se de que roda livremente.



ATENÇÃO: Utilize luvas de protecção. A lâmina é muito afiada e pode facilmente provocar cortes.

11. Ligue o produto para testar a lâmina. Se a lâmina não estiver corretamente ligada, o produto vibra ou o resultado de corte não é satisfatório.

Para verificar o nível do óleo



CUIDADO: Um nível de óleo demasiado baixo causa danos no motor. Verifique o nível do óleo antes de ligar o produto.

1. Coloque o produto num piso nivelado.
2. Feche a válvula de combustível.
3. Remova a tampa do depósito de óleo juntamente com a vareta de nível.
4. Limpe o óleo da vareta de nível.
5. Coloque a vareta de nível no depósito de óleo, mas não aperte a tampa do depósito de óleo.
6. Remova a vareta de nível.
7. Examine o nível do óleo na vareta de nível.
8. Se o nível do óleo estiver baixo, encha com óleo de motor e verifique novamente o nível do óleo. O nível do óleo está correto quando está na marca superior da vareta de nível.

Substituir o óleo de motor



ATENÇÃO: O óleo de motor está muito quente imediatamente após desligar o motor. Deixe o motor arrefecer antes de drenar o óleo de motor. Se derramar óleo de motor na pele, limpe com água e sabão.

1. Utilize o produto até esvaziar o depósito de combustível.
2. Remova o cabo de ignição da vela de ignição.
3. Retire a tampa do depósito de óleo.
4. Coloque um recipiente por baixo do produto para recolher o óleo de motor.
5. Incline o produto para drenar o óleo de motor do depósito de óleo.
6. Encha com óleo de motor novo do tipo recomendado em *Especificações técnicas na página 252*.
7. Verifique o nível do óleo. Consulte *Para verificar o nível do óleo na página 250*.

Para limpar o filtro de ar



CUIDADO: Não coloque o motor em funcionamento sem um filtro de ar montado ou se o filtro de ar estiver sujo.



CUIDADO: Substitua o filtro de ar se este não poder ser totalmente limpo ou se estiver danificado. Um filtro de ar com defeito provoca danos no motor.

1. Empurre as linguetas de trinco (A), remova a cobertura do filtro de ar (B) e remova o filtro de ar (C). (Fig. 41)
2. Bata o filtro de ar contra uma superfície rígida ou sobre com ar comprimido através do filtro de ar a partir do lado limpo do mesmo.



CUIDADO: Não utilize uma escova para remover sujidade, uma vez que isso empurra a sujidade para o interior do filtro de ar.

3. Limpe o suporte do filtro de ar (D) e a cobertura do filtro de ar com um pano húmido.



CUIDADO: Certifique-se de que não entra sujidade na conduta de ar (E).

4. Instale o filtro de ar. Certifique-se de que o filtro de ar está completamente encostado ao suporte do filtro de ar.
5. Instale a cobertura do filtro de ar com as linguetas inferiores em primeiro lugar.

Examinar a vela de ignição



CUIDADO: utilize sempre o tipo de vela de ignição recomendado. Um tipo de vela de ignição incorreto pode provocar danos no produto.

- Examine a vela de ignição para verificar se o motor apresenta uma potência reduzida ou dificuldades de arranque, ou se não funciona corretamente ao ralenti.
- Para diminuir o risco de materiais indesejados nos elétrodos da vela de ignição, siga estas instruções:
 - a) Assegure-se de que a rotação em vazio está corretamente regulada.

- b) Certifique-se de que a mistura de combustível está correta.
 - c) Certifique-se de que o filtro de ar está limpo.
- Se a vela de ignição estiver suja, limpe-a e certifique-se de que a distância entre os elétrodos está correta; consulte *Especificações técnicas na página 252*. (Fig. 42)
 - Se for necessário, substitua a vela de ignição.

Para examinar o sistema de combustível

- Examine a tampa do depósito de combustível e o vedante da tampa do depósito de combustível para se certificar de que não existem danos.
- Examine a mangueira de combustível para se certificar de que não existem fugas. Se a mangueira de combustível estiver danificada, deverá ser substituída por uma oficina autorizada.

Para ajustar o cabo de embraiagem

Se o veículo começar a ficar lento, é necessário ajustar o cabo de embraiagem.

- Rode o parafuso de ajuste. (Fig. 43)

O cabo da embraiagem é corretamente ajustado quando o suporte do cabo da embraiagem está alinhado com a porca.

(Fig. 44)

Transporte, armazenamento e eliminação

Transporte e armazenamento

- Para o transporte e armazenamento do produto e do combustível, certifique-se de que não existem fugas ou fumos. Faíscas ou chamas abertas, por exemplo de dispositivos elétricos ou mesmo caldeiras, podem causar um incêndio.
- Utilize recipientes aprovados para o transporte e armazenamento de combustível.
- Esvazie o depósito de combustível antes de armazenar o produto durante um longo período de tempo. Elimine o combustível numa localização de eliminação aplicável
- Fixe o produto de forma segura durante o transporte para evitar danos e acidentes.

- Mantenha o produto numa área trancada para impedir o acesso a crianças ou pessoas que não disponham de aprovação.
- Mantenha o produto num local seco e sem gelo.

Eliminação

- Respeite os requisitos de reciclagem locais e os regulamentos aplicáveis.
- Elimine todos os produtos químicos, como óleo de motor ou combustível, num centro de assistência ou numa localização de eliminação aplicável.
- Quando o produto deixar de ser utilizado, envie-o para um revendedor Husqvarna ou elimine-o numa localização de reciclagem.

Especificações técnicas

Especificações técnicas

	KLIPPO LB 448S	KLIPPO LB 453S	KLIPPO LB 548S e
Motor			
Marca	Honda	Honda	Honda
Deslocamento, cm ³	145	166	166
Velocidade, rpm	2900	2900	2900
Potência nominal do motor, kW ⁹⁶	2,7	3,3	3,3
Sistema de ignição			
Vela de ignição	NGK BPR5ES	NGK BPR5ES	NGK BPR5ES
Distância entre os eletrodos, mm	0,7-0,8	0,7-0,8	0,7-0,8
Sistema de lubrificação e combustível			
Capacidade do depósito de combustível, litros	0,9	0,9	0,9
Volume do depósito de óleo, litros	0,55	0,5	0,55
Óleo de motor ⁹⁷	SAE 10W-30	SAE 10W-30	SAE 10W-30
Peso			
Com depósitos vazios, kg	30,5	33	32,5
Emissões de ruído ⁹⁸			
Nível de potência sonora, dB(A) medidos	90	91	90
Nível de potência sonora, garantido L _{WA} dB (A)	91	94	91
Níveis acústicos ⁹⁹			
Nível de pressão sonora ao nível do ouvido do utilizador, dB (A)	77	78	78
Níveis de vibração, a_{hveq} ¹⁰⁰			

⁹⁶ A potência nominal indicada para o motor é a potência líquida média (a um valor de rpm especificado) de um motor de produção típico do modelo de motor avaliado de acordo com a norma J1349/ISO1585 da SAE. Motores produzidos em série poderão divergir deste valor. A potência real do motor instalado no produto final dependerá da velocidade de operação, das condições ambientais e de outros parâmetros.

⁹⁷ Utilize um óleo de motor de qualidade SG-SH. Consulte a tabela de viscosidade no manual do fabricante do motor e selecione a melhor viscosidade com base na temperatura exterior prevista.

⁹⁸ Emissões de ruído para as imediações, medidas sob forma de potência sonora (L_{WA}) em conformidade com a diretiva da CE 2000/14/CE.

⁹⁹ Nível de pressão de ruído em conformidade com a norma ISO 5395. Os dados comunicados relativamente ao nível de pressão de ruído têm uma dispersão estatística típica (desvio padrão) de 1,2 dB (A).

¹⁰⁰ Nível de vibração em conformidade com a norma ISO 5395. Os dados comunicados relativamente ao nível de vibração têm uma dispersão estatística típica (desvio padrão) de 0,2 m/s².

	KLIPPO LB 448S	KLIPPO LB 453S	KLIPPO LB 548S e
Punho, m/s ²	4,5	5,3	4,8
Equipamento de corte			
Altura de corte, mm	30-60	30-60	30-60
Largura de corte, mm	480	530	480
Lâmina	Trituração – 48 cm 5028813-10	Trituração – 53 cm 5028814-10	Trituração – 48 cm 5028813-10
Conduzir			
Velocidade, km/h	4,5	4,5	4,5

Declaração CE de conformidade

Declaração CE de conformidade

A **Husqvarna AB**, SE-561 82 Huskvarna, Suécia, tel: +46-36-146500, declara que os **corta-relva Husqvarna KLIPPO LB 448S, KLIPPO LB 453S, KLIPPO LB 548S e**, com os números de série 2020xxxxxxx e posteriores, cumprem as disposições constantes na DIRETIVA DO CONSELHO:

- de 17 de maio de 2006 "referente a máquinas" **2006/42/CE**
- de 26 de fevereiro de 2014 "referente à compatibilidade eletromagnética" **2014/30/UE**
- de 8 de maio de 2000 "referente a emissões de ruído para o ambiente" **2000/14/CE**
- de 8 de junho de 2011, referente à "restrição do uso de determinadas substâncias perigosas em equipamento elétrico e eletrônico" **2011/65/UE**

Para mais informações relativas a emissões de ruído, consulte as Especificações técnicas.

Foram respeitadas as seguintes normas:

EN ISO 5395-1, EN ISO 5395-2, EN ISO 5395-2 Amd1, EN ISO 5395-2 Amd 2, EN 55012, EN 50581:2012

Salvo indicação em contrário, as normas apresentadas acima são as versões publicadas mais recentes.

Entidade competente: **0404, RISE SMP Svensk Maskinprovning AB, Box 7035, SE-750 07 Uppsala** emitiu relatórios relativos à avaliação de conformidade de acordo com o anexo VI da DIRETIVA DO CONSELHO de 8 de maio de 2000 "referente a emissões de ruído para o ambiente " 2000/14/CE.

Huskvarna, 2020-09-16



Claes Losdal, Chefe de Desenvolvimento/Produtos de Jardinagem (representante autorizado da Husqvarna AB e responsável pela documentação técnica)

CUPRINS

Introducere.....	255	Întreținerea.....	261
Siguranță.....	256	Transportul, depozitarea și eliminarea.....	264
Asamblarea.....	259	Date tehnice.....	264
Funcționarea.....	260	Declarație de conformitate CE.....	267

Introducere

Descrierea produsului

Produsul este o mașină rotativă pentru tuns gazonul controlată de un operator-pieton, care utilizează BioClip® pentru a tăia iarba și a o transforma în îngrășământ.

Prezentarea generală a produsului

(Fig. 1)

1. Mâner/ghidon
2. Manetă frână de motor
3. Pârghie de deplasare
4. Mâner pentru șnurul de pornire
5. Dopul pentru ulei
6. Apărătoare curea
7. Amortizor de zgomot
8. Bujie
9. Apărătoare curea
10. Rezervor de carburant
11. Pârghie pentru reglarea unghiului mânerului
12. Sistem amortizare vibrații
13. Reglarea cablului ambreiajului
14. Mâner inferior
15. Pârghie pentru înălțimea de tăiere
16. Supapă carburant
17. Filtru de aer
18. Capac de tăiere
19. Șaibă de siguranță
20. Bolț cuțit
21. Cuțit
22. Suportul cuțitului
23. Dop pentru mărunțirea ierbii (KLIPPO LB 448S, KLIPPO LB 548S e)
24. Manualul operatorului

Simbolurile de pe produs

(Fig. 2) **AVERTISMENT:** Utilizarea neatentă sau incorectă poate cauza vătămări corporale sau moartea operatorului sau altor persoane.

Domeniul de utilizare

Utilizați produsul pentru a tăia iarba. Nu utilizați produsul pentru alte sarcini.

(Fig. 3) Citiți cu atenție manualul operatorului și asigurați-vă că înțelegeți instrucțiunile înainte de utilizare.

(Fig. 4) Feriți-vă de obiectele proiectate sau care ricoșează.

(Fig. 5) Țineți persoanele și animalele la o distanță sigură de zona de lucru.

(Fig. 6) Opriti motorul și scoateți cablul de alimentare a aprinderii înainte de a efectua lucrări de întreținere sau reparații.

(Fig. 7) Avertisment: Feriți-vă mâinile și picioarele de piesele rotative.

(Fig. 8) Avertisment: Feriți-vă mâinile și picioarele de cuțitul rotativ.

(Fig. 9) Acest produs este în conformitate cu directivele UE aplicabile.

(Fig. 10) Emisia de zgomot în mediu, conform Directivei Europene 2000/14/CE și Regulamentului New South Wales din 2017 privind operațiunile de protecție a mediului (controlul zgomotului). Datele privind emisiile de zgomot pot fi găsite pe eticheta utilajului și la capitolul Date tehnice.

(Fig. 11) Cod scanabil.

Nota: Alte simboluri/autocolante de pe produs se referă la cerințele de certificare pentru unele zone comerciale.

Autocolant pe produs, numai pentru Australia și Noua Zeelandă

(Fig. 12)

Feriți-vă mâinile și picioarele de cuțitul rotativ.

Emisiile de Euro V



AVERTISMENT: În urma modificării neautorizate a motorului, este anulată aprobarea de tip UE pentru acest produs.

Siguranță

Definiții privind siguranța

Avertismentele, atenționările și notele sunt utilizate pentru a desemna părți foarte importante din manual.



AVERTISMENT: Se utilizează dacă există risc de vătămare sau de deces pentru operator sau pentru trecători, în cazul în care instrucțiunile din manual nu sunt respectate.



ATENȚIE: Se utilizează dacă există un risc de deteriorare a produsului, a altor materiale sau a zonelor învecinate, dacă instrucțiunile din manual nu sunt respectate.

Nota: Se utilizează pentru a furniza mai multe informații care sunt necesare într-o situație dată.

Instrucțiuni generale de siguranță



AVERTISMENT: Înainte de a utiliza produsul, citiți instrucțiunile de avertizare de mai jos.

- Acest produs este periculos dacă este utilizat incorect sau dacă nu sunteți atent. Nerespectarea instrucțiunilor de siguranță poate cauza vătămări corporale sau decesul.
- În timpul funcționării, acest produs produce un câmp electromagnetic. În anumite condiții, acest câmp poate interfera cu implanturile medicale active sau pasive. Pentru a reduce riscul de vătămări corporale grave sau mortale, recomandăm persoanelor cu implanturi medicale să consulte medicul și producătorul implantului medical înainte de a utiliza acest produs.
- Procedați întotdeauna cu atenție și folosiți-vă judecata. Dacă nu sunteți sigur cum să utilizați produsul într-o situație specială, opriți-l și adresați-vă distribuitorului Husqvarna înainte de a continua.

Răspunderea pentru produs

Conform prevederilor legislației privind răspunderea pentru produs, nu ne asumăm răspunderea pentru daunele cauzate de produsul nostru dacă:

- produsul este reparat necorespunzător;
- produsul este reparat cu piese care nu provin de la producător sau care nu sunt aprobate de acesta;
- produsul are un accesoriu care nu provine de la producător sau care nu este aprobat de acesta;
- produsul nu este reparat la un centru de service omologat sau de o autoritate omologată;

- Rețineți că operatorul poartă responsabilitatea privind orice accidente care implică alte persoane sau bunurile acestora.
- Păstrați produsul curat. Asigurați-vă că puteți citi clar semnele și etichetele.
- Nu permiteți niciunei persoane să utilizeze produsul dacă aceasta nu a citit și înțeles conținutul manualului operatorului.
- Nu permiteți copiilor să utilizeze produsul.
- Țineți copiii departe de zona de lucru. Un adult responsabil trebuie să fie prezent în permanență.
- Nu permiteți unei persoane care nu cunoaște instrucțiunile să utilizeze produsul.
- Monitorizați permanent o persoană cu capacități fizice sau mentale reduse care utilizează produsul. Un adult responsabil trebuie să fie prezent în permanență.
- Nu utilizați produsul atunci când sunteți obosit, bolnav sau dacă ați consumat alcool, droguri sau ați luat medicamente. Acestea vă afectează negativ acuitatea vizuală, atenția, coordonarea și judecata.
- Nu utilizați produsul dacă este defect.
- Nu modificați acest produs și nu îl utilizați dacă este posibil să fi fost modificat de către alte persoane.
- Nu modificați setarea controlului turației motorului.

Siguranța zonei de lucru



AVERTISMENT: Înainte de a utiliza produsul, citiți instrucțiunile de avertizare de mai jos.

- Înainte de a utiliza produsul, îndepărtați obiectele precum crengile, rămurelele și pietrele din zona de lucru.
- Obiectele care se lovesc de echipamentul de tăiere pot fi aruncate, provocând vătămări corporale și pagube materiale. Țineți trecătorii și animalele la o distanță sigură de produs.
- Nu utilizați produsul pe vreme rea, de exemplu pe ceață, ploaie, vânt puternic, la temperaturi exterioare foarte scăzute și atunci când există riscul de descărcări electrice. Utilizarea produsului pe vreme

nefavorabilă sau pe teren umed sau inundat este obositoare. Vremea nefavorabilă poate conduce la apariția de situații periculoase, de exemplu suprafețe alunecoase.

- Verificați dacă există persoane, obiecte și situații care pot împiedica funcționarea în siguranță a produsului.
- Atenție la obstacole, precum rădăcini, pietre, ramuri, gropi și șanțuri. În iarba înaltă se pot ascunde obstacole.
- Tunderea ierbii pe pante poate fi periculoasă. Nu utilizați produsul pe pante cu înclinație mai mare de 15°.
- Utilizați produsul de-a curmezișul pantei. Nu efectuați mișcări în sus și în jos.
- Procedați cu atenție atunci când vă apropiați de colțuri ascunse și de obiecte care blochează vederea.

Siguranța în lucru



AVERTISMENT: Înainte de a utiliza produsul, citiți instrucțiunile de avertizare de mai jos.

- Utilizați acest produs numai pentru tunderea gazonului. Nu este permisă utilizarea acestui produs pentru alte lucrări.
- Utilizați echipamentul personal de protecție. Consultați *Echipament de protecție personală la pagina 257*.
- Asigurați-vă că știți cum să opriți rapid motorul în caz de urgență.
- Nu porniți niciodată motorul într-un spațiu închis sau lângă materiale inflamabile. Gazele de eșapament de la motor sunt fierbinți și pot conține scânteie care pot cauza un incendiu.
- Nu utilizați produsul decât dacă au fost montate corect cuțitul și toate capacele. Un cuțit montat incorect se poate slăbi, provocând vătămări corporale.
- Asigurați-vă că lama nu lovește obiecte, precum pietre și rădăcini. Acestea pot deteriora cuțitul și pot îndoii arborele motorului. Un ax îndoit poate genera vibrații puternice și prezintă un risc foarte ridicat de slăbire a cuțitului.
- Dacă lama lovește un obiect sau dacă observați vibrații, opriți produsul imediat. Decuplați cablul de alimentare a aprinderii de la bujie. Examinați dacă produsul este deteriorat. Reparați defecțiunile sau solicitați unui agent de service autorizat să le repare.
- Nu fixați niciodată de mâner maneta frânei de motor, în mod permanent, atunci când motorul este pornit.
- Poziționați produsul pe o suprafață stabilă, plană și porniți-l. Asigurați-vă că lama nu atinge solul sau alte obiecte.
- Stați întotdeauna în spatele produsului atunci când îl utilizați.

- Mențineți toate roțile pe sol și țineți ambele mâini pe mâner când utilizați produsul. Feriți-vă mâinile și picioarele de cuțitele rotative.
- Nu înclinați produsul când motorul este pornit.
- Fiți atenți atunci când trageți produsul în spate.
- Nu ridicați niciodată produsul când motorul este pornit. Dacă trebuie să ridicați produsul, mai întâi opriți motorul și deconectați cablul de alimentare a aprinderii de la bujie.
- Nu mergeți cu spatele în timp ce utilizați produsul.
- Opriți motorul când traversați zone fără iarbă, de exemplu alei din pietriș, piatră și asfalt.
- Nu alergați cu produsul când motorul este pornit. Întotdeauna mergeți în timp ce utilizați produsul.
- Opriți motorul înainte de a schimba înălțimea de tăiere. Nu efectuați niciodată reglări cu motorul pornit.
- Nu lăsați niciodată produsul să iasă din câmpul vizual cu motorul pornit. Opriți motorul și asigurați-vă că echipamentul de tăiere nu se rotește.

Instrucțiunile de siguranță pentru utilizare

Echipament de protecție personală



AVERTISMENT: Înainte de a utiliza produsul, citiți instrucțiunile de avertizare de mai jos.

- Echipamentele de protecție personală nu pot elimina complet riscul de rănire, însă pot reduce gravitatea rănilor în cazul unui accident. Distribuitorul vă poate ajuta să alegeți echipamentul corect.
- Utilizați echipament de protecție a auzului dacă nivelul de zgomot este mai mare de 85 dB.
- Utilizați întotdeauna ghete sau pantofi pentru regim greu de lucru, cu rezistență la alunecare. Nu folosiți pantofi decupați și nu operați produsul desculț.
- Utilizați pantaloni lungi, groși.
- Purtați mănuși de protecție atunci când este necesar, de exemplu atunci când conectați, inspectați sau curățați echipamentul de tăiere.

Dispozitivele de siguranță de pe produs



AVERTISMENT: Înainte de a utiliza produsul, citiți instrucțiunile de avertizare de mai jos.

- Nu utilizați un produs cu dispozitive de siguranță deteriorate.
- Verificați regulat dispozitivele de siguranță. Dacă dispozitivele de siguranță sunt defecte, contactați agentul de service Husqvarna.

Verificarea capacului de tăiere

Capacul de tăiere reduce vibrațiile în produs și scade riscul de rănire de la cuțit.

- Examinați capacul de tăiere și asigurați-vă că nu există defecte, precum fisuri.

Verificarea apărătorii de curea

Apărătoarea de curea scade riscul de vătămare corporală și protejează împotriva proiectării la exterior a curelei de transmisie rupte.

- Asigurați-vă că apărătoarea de curea nu este deteriorată și că este montată corect. (Fig. 13)

Verificarea apărătorii de curea

Apărătoarea de curea scade riscul de vătămare corporală și protejează împotriva proiectării la exterior a curelei de transmisie rupte.

- Asigurați-vă că apărătoarea de curea nu este deteriorată și că este montată corect. (Fig. 14)

Manetă frână de motor

Maneta frânei de motor oprește motorul. Când maneta frânei de motor este eliberată, motorul se oprește.

Pentru a efectua o inspecție a frânei de motor, porniți motorul, apoi eliberați maneta frânei de motor. Dacă motorul nu se oprește în 3 secunde, solicitați unui agent de service autorizat Husqvarna să regleze frâna de motor.

(Fig. 15)

Pentru a verifica sistemul de amortizare a vibrațiilor



AVERTISMENT: Expunerea prelungită la vibrații poate duce la afecțiuni circulatorii sau la deteriorarea nervilor la persoanele cu circulație sanguină deficitară. Solicitați asistență medicală dacă experimentați simptome de expunere prelungită la vibrații. Aceste simptome includ amorțeală, pierderea sensibilității tactile, furnicăături, înțepături, durere, pierderea forței, modificări ale culorii sau aspectului pielii. Aceste simptome apar de obicei la degete, la mâini sau la încheieturi.

Sistemul de amortizare a vibrațiilor reduce vibrațiile din mâner în timpul operării.

Tubul de oțel din mâner și capacul de tăiere reduc vibrațiile. Modelul KLIPPO LB 548S e dispune, de asemenea, de 4 unități de amortizare a vibrațiilor, montate pe mâner.

- Verificați mânerul și unitățile de amortizare a vibrațiilor pentru a vă asigura că nu prezintă daune. (Fig. 16)

Suportul cuțitului

Suportul cuțitului reduce riscul îndoirii arborelui motorului. Dacă lama lovește un obiect, aceasta se va

mișca pe suportul cuțitului. Mișcarea provoacă uzura suprafeței suportului cuțitului. Uzura arată că protecția arborelui motorului funcționează corect.

Amortizor de zgomot

Amortizorul de zgomot este proiectat pentru a reduce la minimum nivelul de zgomot și a dirija gazele de eșapament departe de utilizator.

Nu utilizați produsul dacă amortizorul de zgomot nu este instalat sau este defect. Un amortizor de zgomot defect determină creșterea nivelului de zgomot și a pericolului de incendiu.



AVERTISMENT: Amortizorul de zgomot atinge temperaturi înalte în timpul utilizării, imediat după oprire și atunci când motorul funcționează la turația de mers în gol. Procedați cu atenție în apropierea materialelor și/sau gazelor inflamabile pentru a preveni incendiile.

Pentru a verifica amortizorul de zgomot

- Verificați regulat amortizorul de zgomot pentru a vă asigura că este montat corect și nu este deteriorat.

Reguli de siguranță referitoare la carburant



AVERTISMENT: Înainte de a utiliza produsul, citiți instrucțiunile de avertizare de mai jos.

- Nu porniți produsul dacă pe acesta se află carburant sau ulei pentru motor. Îndepărtați carburantul/uleiul nedorit și lăsați produsul să se usuce.
- Dacă vărsați carburantul pe îmbrăcăminte, schimbați imediat hainele.
- Nu vărsați carburantul pe corp - poate provoca vătămări corporale. Dacă vărsați carburant pe corp, utilizați apă și săpun pentru a elimina carburantul.
- Nu porniți produsul dacă motorul prezintă scurgeri. Examinați cu regularitate motorul, pentru a identifica eventuale scurgeri.
- Manipulați cu atenție carburantul. Carburantul este inflamabil, vaporii sunt explozivi și pot cauza vătămări corporale sau deces.
- Nu respirați vaporii de carburant, se pot produce vătămări corporale. Asigurați-vă că fluxul de aer este suficient.
- Nu fumați în apropierea carburantului sau a motorului.
- Nu amplasați obiecte calde în apropierea carburantului sau a motorului.
- Nu adăugați carburant atunci când motorul este pornit.
- Asigurați-vă că motorul este rece înainte de a realimenta.

- Înainte de a realimenta, deschideți lent capacul rezervorului de carburant și eliberați cu atenție presiunea.
- Nu adăugați carburant la motor într-o zonă interioară. Un flux de aer insuficient poate cauza vătămare corporală sau deces din cauza asfrierii sau a monoxidului de carbon.
- Strângeți până la capăt capacul rezervorului de carburant. Dacă acesta nu este strâns, există pericol de incendiu.
- Înainte de pornire, mutați produsul la o distanță de minimum 3 m/10 ft față de poziția unde ați umplut rezervorul.
- Nu umpleți complet rezervorul de carburant. Căldura provoacă dilatarea carburantului. Păstrați un gol în partea de sus a rezervorului de carburant.

Instrucțiuni de siguranță pentru întreținere



AVERTISMENT: Înainte de a utiliza produsul, citiți instrucțiunile de avertizare de mai jos.

- Gazele de eșapament ale motorului conțin monoxid de carbon, care este un gaz inodor, toxic și deosebit

de periculos. Nu porniți motorul în interior sau în spații închise.

- Înainte de a efectua întreținerea produsului, opriți motorul și deconectați cablul de alimentare a aprinderii de la bujie.
- Purtați mănuși de protecție când efectuați întreținerea echipamentului de tăiere. Cuițitul este foarte ascuțit și vă puteți tăia foarte ușor.
- Accesoriile și modificările aduse produsului care nu sunt autorizate de către producător pot provoca vătămări corporale grave sau fatale. Nu modificați produsul. Utilizați întotdeauna numai accesoriile omologate de producător.
- Dacă întreținerea nu se efectuează corect și periodic, crește pericolul de vătămări corporale și de deteriorare a produsului.
- Efectuați numai operațiile de întreținere care se regăsesc în acest manual al proprietarului. Toate celelalte operații de service trebuie efectuate de către un agent de service autorizat Husqvarna.
- Solicitați unui agent de service autorizat Husqvarna să efectueze în mod regulat operații de service la produs.
- Înlocuiți piesele deteriorate, uzate sau defecte.

Asamblarea

Introducere



AVERTISMENT: Înainte de a asambla produsul, trebuie să citiți și să înțelegeți capitolul privind siguranța.



AVERTISMENT: Demontați cablul de la bujie înainte de a asambla produsul.

Asamblarea și reglarea mânerului

1. Scoateți piulița mânerului și șaiba de pe placa de pe mânerul superior.
2. Fixați mânerul superior în poziție, deasupra mânerului inferior.



ATENȚIE: Evitați prinderea sau deteriorarea cablurilor.

3. Montați șaiba și piulița mânerului. (Fig. 17)
4. Rotiți mânerul în lateral pentru a obține o poziție bună de operare atunci când folosiți produsul în apropierea unui perete. (Fig. 18)
5. Rotiți roțile de reglare de pe cadru pentru a regla mânerul pe verticală. (Fig. 19)

Asamblarea obturatorului pentru resturi vegetale KLIPPO LB 448S, KLIPPO LB 548S e

1. Înclinați produsul pe spate, cu bujia în sus.
2. Introduceți știfturile obturatorului pentru resturi vegetale în găuri, prin partea interioară a capacului de tăiere. (Fig. 20)
3. Atașați șuruburile pentru obturatorul pentru resturi vegetale prin partea exterioară a capacului de tăiere. (Fig. 21)

Funcționarea

Introducere



AVERTISMENT: Înainte de a utiliza produsul, trebuie să citiți și să înțelegeți capitolul privind siguranța.

Husqvarna Connect

Husqvarna Connect este o aplicație gratuită pentru dispozitivul dvs. mobil. Aplicația Husqvarna Connect vă oferă funcții extinse pentru produsul dvs. Husqvarna:

- Informații pe larg despre produs.
- Informații despre piese pentru produse și servicii și asistență pentru acestea.

Pentru a începe să utilizați Husqvarna Connect

1. Descărcați aplicația Husqvarna Connect pe dispozitivul dvs. mobil.
2. Înregistrați-vă în aplicația Husqvarna Connect.
3. Urmați pașii cu instrucțiuni din aplicația Husqvarna Connect pentru a conecta și înregistra produsul.

Înainte de a utiliza produsul

1. Citiți cu atenție manualul operatorului și asigurați-vă că înțelegeți instrucțiunile.
2. Examinați echipamentul de tăiere și asigurați-vă că este corect montat și reglat. Consultați *Pentru a examina echipamentul de tăiere la pagina 262*.
3. Umpleți rezervorul de carburant. Consultați *Alimentarea cu carburant la pagina 260*.
4. Umpleți rezervorul de ulei și verificați nivelul uleiului. Consultați *Pentru a verifica nivelul de ulei la pagina 263*.

Alimentarea cu carburant

Dacă este disponibilă, folosiți benzină alchilată/cu emisii scăzute. Dacă benzina alchilată/cu emisii scăzute nu este disponibilă, folosiți benzină fără plumb sau benzină cu plumb de bună calitate, cu o cifră octanică nu mai mică de 90.



ATENȚIE: Nu utilizați benzină cu o cifră octanică mai mică de 90 RON (87 AKI). Aceasta poate deteriora produsul.

1. Deschideți încet capacul rezervorului de carburant pentru a elibera presiunea.
2. Umpleți încet, cu o canistră de carburant. Dacă vărsați carburant, îndepărtați-l cu o cârpă și lăsați-l să se usuce.

3. Curățați suprafața din jurul capacului rezervorului de carburant.
4. Strângeți până la capăt capacul rezervorului de carburant. Dacă acesta nu este strâns, există pericol de incendiu.
5. Înainte de pornire, mutați produsul la o distanță de minimum 3 m (10 ft) față de poziția unde ați umplut rezervorul.

Pentru a seta înălțimea de tăiere

Înălțimea de tăiere poate fi reglată pe 6 nivele.

1. Deplasați înainte pârghia pentru înălțimea de tăiere, pentru a mări înălțimea.
2. Deplasați spre spate pârghia pentru înălțimea de tăiere, pentru a reduce înălțimea.



ATENȚIE: Nu setați o înălțime de tăiere prea scăzută. Cuțitele pot atinge solul dacă suprafața gazonului nu este plană.

Pentru a porni produsul

1. Cablul de alimentare a aprinderii trebuie să fie conectat la bujie.
2. Deschideți valva de combustibil. (Fig. 22)
3. Stați în spatele produsului.
4. Țineți maneta frânei de motor lipită de mâner. (Fig. 23)
5. Țineți mânerul șnurului de pornire cu mâna dreaptă.
6. Trageți încet de șnurul de pornire până ce simțiți o anumită rezistență.
7. Trageți cu forță pentru a porni motorul.



AVERTISMENT: Nu răsuciți cablul de pornire în jurul mâinii.



ATENȚIE: Nu întindeți complet șnurul de pornire. Nu eliberați mânerul șnurului de pornire când acesta este extins.

Utilizarea transmisiei pe roți

- Apăsăți pe pârghia de deplasare. (Fig. 24)
- Înainte de a trage produsul spre spate, decuplați transmisia și împingeți produsul înainte cu aproximativ 10cm.
- Eliberați maneta frânei de motor pe o distanță scurtă pentru a dezactiva transmisia, de exemplu atunci când vă apropiați de un obstacol.

Oprirea produsului

- Pentru a opri doar transmisia, eliberați maneta frânei de motor pe o distanță scurtă.
- Pentru a opri motorul, eliberați complet maneta frânei de motor.
- Închideți valva de combustibil. (Fig. 25)

Pentru a obține rezultate bune

- Utilizați întotdeauna o lamă ascuțită. O lamă tocită oferă rezultate neregulate, iar suprafața tăiată a ierbii se îngălbeneste. De asemenea, o lamă ascuțită folosește mai puțină energie decât o lamă tocită.

- Nu tăiați niciodată mai mult de $\frac{1}{3}$ din lungimea ierbii. Inițial, tundeți cu o înălțime mare de tăiere. Verificați rezultatul și coborâți înălțimea de tăiere la un nivel convenabil. Dacă iarba este foarte înaltă, deplasați aparatul încet și tundeți de două ori, dacă este necesar.
- Tăiați de fiecare dată în altă direcție, pentru a preveni formarea de dungi pe gazon.

Întreținerea

Introducere



AVERTISMENT: Înainte de a efectua orice operații de întreținere, citiți și înțelegeți capitolul privind siguranța.

Toate lucrările de service și de reparații la produs necesită instruire specială. Garantăm disponibilitatea unor lucrări profesionale de reparații și service. Dacă distribuitorul dvs. nu este agent de service, solicitați

acestui agent de informații cu privire la cel mai apropiat agent de service.

Program de întreținere

Intervalele de întreținere sunt calculate având în vedere o utilizare zilnică a produsului. Intervalele se modifică dacă produsul nu este utilizat zilnic.

Pentru operațiile de întreținere marcate cu *, consultați instrucțiunile din *Dispozitivele de siguranță de pe produs la pagina 257*.

Întreținerea	Zilnic	Săptămânal	Lunar
Efectuați o inspecție generală	X		
Examinați nivelul uleiului	X		
Curățați produsul	X		
Curățați filtrul de aer	X		
Examinați echipamentul de tăiere	X		
Examinați capacul de tăiere*	X		
Examinați maneta frânei de motor*	X		
Examinați amortizorul de zgomot*		X	
Examinați bujia		X	
Verificați dacă există daune la curea de transmisie			X
Curățați carcasa angrenajului			X
Schimbați uleiul (prima dată după 5 ore de utilizare, apoi la fiecare 25 ore de utilizare și anual)			X
Schimbați filtrul de aer			X
Examinați sistemul de alimentare cu carburant			X
Examinați și reglați transmisia (cablul de ambreiaj)			X

Pentru a efectua o inspecție generală

- Asigurați-vă că toate șuruburile și piulițele produsului sunt strânse.

Pentru a curăța produsul la exterior

- Folosiți o perie pentru a elimina frunzele, iarba și murdăria.
- Asigurați-vă că priza de aer din partea superioară a motorului nu este înfundată.
- Nu utilizați o instalație de spălare cu presiune ridicată pentru a curăța produsul.
- Dacă utilizați apă pentru a curăța produsul, nu stropiți direct către motor.

Pentru a curăța suprafața interioară a capacului de tăiere

1. Așezați produsul pe o parte, cu amortizorul de zgomot în jos.



ATENȚIE: Dacă produsul este așezat cu filtrul de aer în jos, motorul se poate deteriora.

2. Spălați cu apă suprafața interioară a capacului de tăiere.

Verificarea curelei de transmisie și curățarea carcasei angrenajului

1. Scoateți cele 4 șuruburi de pe apărătoarea de curea și scoateți apărătoarea de curea. (Fig. 26)
2. Verificați dacă există daune la cureaua de transmisie și fulia curelei.
3. Utilizați o perie pentru a îndepărta frunzele, iarba și murdăria din carcasa angrenajului. (Fig. 27)

Înlocuirea și reglarea curelei de transmisie

1. Scoateți cele 4 șuruburi de pe apărătoarea de curea și scoateți apărătoarea de curea. (Fig. 26)
2. Puneți o șurubelniță plată între capacul butucului și roată pe roata dreaptă din față a produsului.
3. Răsuciți cu grijă șurubelnița pentru a scoate capacul butucului.
4. Scoateți bolțul roții și scoateți roata. (Fig. 28)
5. Scoateți cureaua de transmisie de pe fuliile curelei.
6. Asigurați-vă că fuliile curelei se deplasează ușor pe ax.
7. Dacă este necesar, pulverizați ulei penetrant între fuliile curelei și în spatele acestora și lubrifiați axul.
8. Montați o curea de transmisie nouă și fixați-o corect pe rulmentul cu bile înainte de a o regla. (Fig. 29)
9. Deplasați rulmentul cu bile în sus sau în jos pentru a regla cureaua de transmisie. (Fig. 30)

Nota: La utilizare, o curea de transmisie nouă devine mai lungă. Reglați din nou cureaua de transmisie după câteva ore de utilizare.

10. Montați apărătoarea de curea.

11. Puneți produsul în funcțiune pentru a vă asigura că cureaua de transmisie este instalată și reglată corect.

Înlocuirea și reglarea curelei de centrare

1. Demontați cuțitul.

Nota: Acest pas nu este necesar atunci când doar reglați cureaua de centrare.

2. Slăbiți șuruburile de reglare cu câteva ture, dar nu le scoateți. (Fig. 31)
3. Înlocuiți cureaua de centrare și strângeți moderat șuruburile de reglare.

Nota: Acest pas nu este necesar atunci când doar reglați cureaua de centrare.

4. Deplasați angrenajul înainte sau înapoi, pentru a regla cureaua de centrare. (Fig. 32)
5. Utilizați un cântar cu cârlig pentru a verifica tensionarea curelei de centrare. Cureaua este corect tensionată când se poate deplasa cu 6-10 mm spre centru. Aceasta înseamnă o greutate de aproximativ 3 kg. (Fig. 33)
6. Strângeți complet șuruburile de reglare la un cuplu de 3 Nm.
7. Puneți produsul în funcțiune pentru a vă asigura că cureaua de transmisie este instalată și reglată corect.

Pentru a examina echipamentul de tăiere



AVERTISMENT: Pentru a preveni pornirea accidentală, decuplați cablul de alimentare a aprinderii de la bujie.



AVERTISMENT: Purtați mănuși de protecție când efectuați întreținerea echipamentului de tăiere. Cuțitul este foarte ascuțit și vă puteți tăia foarte ușor.

1. Examinați echipamentul de tăiere pentru a identifica eventuale deteriorări sau crăpături. Înlocuiți întotdeauna un echipament de tăiere deteriorat.
2. Observați cuțitul pentru a vedea dacă este deteriorat sau tocit.

Nota: După ascuțirea cuțitului, acesta trebuie echilibrat. Solicitați unui centru de service să ascuță, să monteze la loc și să echilibreze cuțitul. Dacă loviți un obstacol care determină produsul să se oprească, înlocuiți cuțitul deteriorat. Solicitați centrului de service să estimeze dacă lama poate fi ascuțită sau trebuie înlocuită.

Pentru a înlocui lama

1. Blocați cuțitul cu o bucată de lemn. (Fig. 34)
2. Îndepărtați bolțul cuțitului, șaiba elastică și cuțitul. (Fig. 35)
3. Verificați dacă există daune la suportul cuțitului și la bolțul cuțitului.
 - a) Dacă înlocuiți cuțitul sau suportul cuțitului, înlocuiți și bolțul cuțitului, șaiba elastică și șaiba de fricțiune.
4. Examinați arborele motorului pentru a vă asigura că nu s-a îndoit.
5. Când montați un cuțit nou, asigurați-vă că capetele îndoite sunt îndreptate în direcția capacului de tăiere. (Fig. 36)
6. Poziționați șaiba de fricțiune și cuțitul pe suportul cuțitului. (Fig. 37)
7. Asigurați-vă de alinierea cuțitului cu centrul arborelui motorului. (Fig. 38)
8. Blocați cuțitul cu o bucată de lemn. (Fig. 39)
9. Montați șaiba elastică și strângeți bolțul la un cuplu de 80 Nm. (Fig. 40)
10. Învârtiți cuțitul cu mâna și asigurați-vă că se rotește liber.



AVERTISMENT: Utilizați mănuși de protecție. Cuțitul este foarte ascuțit și vă puteți tăia foarte ușor.

11. Porniți produsul pentru a efectua un test al cuțitului. Dacă acesta nu este fixat corect, produsul vibrează sau rezultatele sunt nesatisfăcătoare.

Pentru a verifica nivelul de ulei



ATENȚIE: Un nivel de ulei prea redus poate deteriora motorul. Efectuați o verificare a nivelului de ulei înainte să porniți produsul.

1. Așezați produsul pe teren drept.
2. Închideți valva de combustibil.
3. Scoateți bușonul rezervorului cu joja atașată.
4. Curățați joja de ulei.
5. Puneți joja de ulei în rezervorul de ulei, dar nu strângeți capacul rezervorului de ulei.
6. Scoateți joja.

7. Examinați nivelul de ulei de pe joă.
8. Dacă nivelul uleiului este scăzut, alimentați cu ulei de motor și verificați din nou nivelul. Nivelul de ulei este corect când este la marcajul superior de pe joă.

Înlocuirea uleiului de motor



AVERTISMENT: Imediat după oprirea motorului, uleiul de motor este foarte fierbinte. Lăsați motorul să se răcească înainte de a îl goli de ulei. Dacă uleiul de motor intră în contact cu pielea, curățați cu apă și săpun.

1. Utilizați produsul până când rezervorul de carburant se golește.
2. Scoateți cablu de alimentare a aprinderii din bujie.
3. Scoateți bușonul rezervorului de ulei.
4. Amplasați sub produs un recipient în care să colectați uleiul de motor.
5. Înclinați produsul pentru a scurge uleiul de motor din rezervorul de ulei.
6. Umpleți cu ulei de motor proaspăt și de tipul recomandat în *Date tehnice la pagina 264*.
7. Verificați nivelul de ulei. Consultați *Pentru a verifica nivelul de ulei la pagina 263*.

Curățarea filtrului de aer



ATENȚIE: Nu lăsați motorul să funcționeze fără un filtru de aer atașat sau dacă filtrul de aer este murdar.



ATENȚIE: Înlocuiți filtrul de aer dacă nu poate fi curățat complet sau dacă este deteriorat. Filtrul de aer defectuos cauzează deteriorarea motorului.

1. Apăsăți clapetele închizătorii (A), demontați capacul filtrului de aer (B) și scoateți filtrul de aer (C). (Fig. 41)
2. Loviți filtrul de aer de o suprafață dură sau suflați aer comprimat prin filtrul de aer din partea curată a filtrului de aer.



ATENȚIE: Nu folosiți o perie pentru a înlătura murdăria, deoarece aceasta împinge murdăria în filtrul de aer.

3. Curățați suportul filtrului de aer (D) și capacul filtrului de aer cu o cârpă umedă.



ATENȚIE: Aveți grijă să nu pătrundă murdărie în conducta de aer (E).

4. Instalați filtrul de aer. Asigurați-vă că filtrul de aer se etanșează pe suportul filtrului de aer.
5. Montați capacul filtrului de aer, mai întâi cu clapetele inferioare.

Pentru a verifica bujia



ATENȚIE: Folosiți întotdeauna tipul recomandat de bujie. Tipul incorect de bujie poate defecta produsul.

- Verificați bujia dacă motorul nu are putere, nu pornește ușor sau nu funcționează corect la turație de mers în gol.
- Pentru a reduce riscul prezenței materialelor nedorite la electrozii bujiei, respectați aceste instrucțiuni:
 - a) Asigurați-vă că turația de mers în gol este corect reglată.
 - b) Asigurați-vă că amestecul este corect.
 - c) Asigurați-vă că filtrul de aer este curat.
- Dacă bujia este murdară, curățați-o și asigurați-vă că distanța dintre electrozi este corectă, consultați *Date tehnice la pagina 264*. (Fig. 42)

- Înlocuiți bujia atunci când este necesar.

Pentru a examina sistemul de alimentare cu carburant

- Examinați bușonul rezervorului de carburant și garnitura bușonului rezervorului de carburant pentru a vă asigura că nu există deteriorări.
- Examinați furtunul de carburant pentru a vă asigura că nu există scurgeri. Dacă furtun de carburant este deteriorat, trebuie înlocuit de către un agent de service.

Pentru a regla cablul de ambreiaj

Dacă transmisia este lentă, trebuie reglat cablul de ambreiaj.

- Rotiți șurubul de reglare. (Fig. 43)

Cablul ambreiajului este reglat corect atunci când brida cablului de ambreiaj se aliniază cu piulița.

(Fig. 44)

Transportul, depozitarea și eliminarea

Transportul și depozitarea

- Pentru depozitarea și transportul produsului și a carburantului, asigurați-vă că nu există scurgeri și gaze. Scântelele sau flăcările deschise, de exemplu cele provenite de la dispozitive sau boilere electrice, pot cauza un incendiu.
- Utilizați întotdeauna recipiente omologate pentru depozitarea și transportarea combustibilului.
- Goliți rezervorul de carburant și depozitați produsul pentru o perioadă lungă de timp. Eliminați carburantul într-o locație de eliminare autorizată
- Fixați în siguranță produsul în timpul transportului pentru a preveni daunele și accidentele.
- Păstrați produsul într-o zonă restricționată pentru a preveni accesul copiilor sau al persoanelor neautorizate.

- Păstrați produsul într-un spațiu uscat și ferit de îngheț.

Dezafectarea

- Respectați cerințele de reciclare și reglementările locale aplicabile.
- Eliminați toate substanțele chimice, precum uleiul de motor sau carburantul, la un centru de service sau într-o locație de eliminare autorizată.
- Atunci când produsul nu mai este în uz, trimiteți-l la un distribuitor Husqvarna sau casați-l într-o locație de reciclare.

Date tehnice

Date tehnice

	KLIPPO LB 448S	KLIPPO LB 453S	KLIPPO LB 548S e
Motor			
Marcă	Honda	Honda	Honda
Cilindree, cm ³	145	166	166

	KLIPPO LB 448S	KLIPPO LB 453S	KLIPPO LB 548S e
Turație, rpm	2900	2900	2900
Putere nominală de ieșire motor, kW ¹⁰¹	2,7	3,3	3,3
Sistem de aprindere			
Bujie	NGK BPR5ES	NGK BPR5ES	NGK BPR5ES
Distanță între electrozi, mm	0,7-0,8	0,7-0,8	0,7-0,8
Carburant și sistem de ungere			
Capacitate rezervor de carburant, litri	0,9	0,9	0,9
Capacitate rezervor de ulei, litri	0,55	0,5	0,55
Ulei pentru motor ¹⁰²	SAE 10W-30	SAE 10W-30	SAE 10W-30
Greutate			
Cu rezervoare goale, kg	30,5	33	32,5
Emisii de zgomot¹⁰³			
Nivel de putere acustică măsurat dB(A)	90	91	90
Nivel de putere acustică garantat L _{WA} dB(A)	91	94	91
Niveluri de zgomot¹⁰⁴			
Nivel de presiune a sunetului la urechea operatorului, dB(A)	77	78	78
Niveluri de vibrații, a_{hveq}¹⁰⁵			
Mâner, m/s ²	4,5	5,3	4,8
Echipament de tăiere			
Înălțime de tăiere, mm	30-60	30-60	30-60
Lățime de tăiere, mm	480	530	480
Cuțit	larbă mărunțită - 48 cm 5028813-10	larbă mărunțită - 53 cm 5028814-10	larbă mărunțită - 48 cm 5028813-10
Deplasarea			

¹⁰¹ Puterea nominală indicată a motorului este puterea de ieșire medie netă (la turația specificată) a unui motor de producție normal pentru modelul de motor, măsurată conform standardului SAE J1349/ISO1585. Motoarele de producție în masă pot prezenta valori diferite de aceasta. Puterea de ieșire efectivă pentru motorul instalat pe produsul final va depinde de viteza de funcționare, de condițiile de mediu și de alte valori.

¹⁰² Utilizați ulei pentru motor de calitate SG–SH. Consultați diagrama de vâscozitate din manualul producătorului motorului și selectați vâscozitatea optimă pe baza temperaturii exterioare preconizate.

¹⁰³ Emisiile de zgomot în mediu măsurate ca putere acustică (L_{WA}) în conformitate cu directiva CE 2000/14/CE.

¹⁰⁴ Presiunea nivelului de zgomot conform ISO 5395. Datele raportate pentru presiunea nivelului de zgomot prezintă o distribuție statistică tipică (abatere standard) de 1,2 dB(A).

¹⁰⁵ Nivelul de vibrații conform ISO 5395. Datele raportate pentru nivelul de vibrații prezintă o dispersie statistică tipică (abatere standard) de 0,2 m/s².

	KLIPPO LB 448S	KLIPPO LB 453S	KLIPPO LB 548S e
Vítězã, km/h	4,5	4,5	4,5

Declarație de conformitate CE

Declarație de conformitate CE

Husqvarna AB, SE-561 82 Huskvarna, Suedia, tel.: +46-36-146500, declară că **mașinile pentru tuns gazonul Husqvarna KLIPPO LB 448S, KLIPPO LB 453S, KLIPPO LB 548S e** începând cu numerele de serie 2020xxxxxxx respectă cerințele DIRECTIVEI CONSILIULUI:

- din 17 mai 2006 „referitoare la utilaje” **2006/42/CE**
- din 26 februarie 2014 „referitoare la compatibilitatea electromagnetică” **2014/30/UE**
- din 8 mai 2000 „referitoare la emisiile de zgomot în mediul înconjurător” **2000/14/CE**
- din 8 iunie 2011 privind „restricțiile de utilizare a anumitor substanțe periculoase la echipamente electrice și electronice” **2011/65/UE**

Informațiile privind emisiile de zgomot sunt specificate în secțiunea Date tehnice.

Au fost aplicate următoarele standarde:

EN ISO 5395-1, EN ISO 5395-2, EN ISO 5395-2 Amd1, EN ISO 5395-2 Amd 2, EN 55012, EN 50581:2012

În absența altor indicații, standardele menționate mai sus reprezintă cele mai recente versiuni publicate.

Organismul notificat: **0404, RISE SMP Svensk Maskinprovning AB, Box 7035, SE-750 07 Uppsala** a emis rapoarte privind evaluarea conformității cu anexa VI la DIRECTIVA CONSILIULUI 2000/14/CE din 8 mai 2000 „referitoare la emisiile de zgomot în mediul înconjurător”.

Huskvarna, 2020-09-16



Claes Losdal, Director de Dezvoltare/Produse pentru grădină (reprezentant autorizat al Husqvarna AB și responsabil cu documentația tehnică)

Содержание

Введение.....	268	Техническое обслуживание.....	275
Безопасность.....	269	Транспортировка, хранение и утилизация.....	278
Сборка.....	273	Технические данные.....	278
Эксплуатация.....	273	Декларация соответствия ЕС.....	281

Введение

Описание изделия

Изделие представляет собой пешеходную роторную газонокосилку, которая использует BioClip® для измельчения скошенной травы в удобрение.

Назначение

Используйте изделие для стрижки травы. Запрещается использовать изделие для других видов работ.

Обзор изделия

(Рис. 1)

1. Рукоятка
2. Рукоятка тормоза двигателя
3. Рычаг привода
4. Ручка шнура стартера
5. Крышка отверстия для заливки масла
6. Кожух ремня
7. Глушитель
8. Свеча зажигания
9. Кожух ремня
10. Топливный бак
11. Рычаг регулировки угла рукоятки
12. Система гашения вибраций
13. Регулировка троса сцепления
14. Нижняя рукоятка
15. Рычаг регулировки высоты стрижки
16. Топливный клапан
17. Воздушный фильтр
18. Режущая дека
19. Пружинная шайба
20. Болт ножа
21. Нож
22. Держатель ножа
23. Пробка для мульчирования (KLIPPO LB 448S, KLIPPO LB 548S e)
24. Руководство по эксплуатации

понимаете приведенные здесь инструкции.

(Рис. 4) Берегитесь отскакивающих предметов и рикошетов.

(Рис. 5) Следите за тем, чтобы в зоне проведения работ не было посторонних людей или животных.

(Рис. 6) Остановите двигатель и отсоедините кабель зажигания, прежде чем приступить к ремонту или техобслуживанию.

(Рис. 7) Предупреждение: Не приближайте руки или ноги к вращающимся частям.

(Рис. 8) Предупреждение: Не приближайте руки или ноги к вращающемуся ножу.

(Рис. 9) Данное изделие отвечает требованиям соответствующих директив ЕС.

(Рис. 10) Эмиссия шума в окружающую среду согласно Директиве Европейского союза 2000/14/ЕС и законодательству Нового Южного Уэльса "Регламент 2017 года по защите окружающей среды (контроль уровня шума)". Данные об эмиссии шума приведены на паспортной табличке агрегата и в разделе "Технические данные".

(Рис. 11) Сканируемый код.

Условные обозначения на изделии

(Рис. 2) ПРЕДУПРЕЖДЕНИЕ: Небрежная или неправильная эксплуатация может привести к травме или смерти оператора или других лиц.

(Рис. 3) Перед началом работы внимательно прочитайте руководство по эксплуатации и убедитесь, что

Примечание: Остальные символы/наклейки на изделии относятся к специальным требованиям сертификации в определенных коммерческих зонах.

Наклейка на изделии, только для Австралии и Новой Зеландии

(Рис. 12)

Не приближайте руки или ноги к вращающемуся ножу.

Соответствие уровня токсичных выбросов стандарту Euro V



ПРЕДУПРЕЖДЕНИЕ: В случае вмешательства в работу двигателя

Ответственность изготовителя

В соответствии с законами об ответственности изготовителя мы не несем ответственности за ущерб, вызванный эксплуатацией нашего изделия в результате:

- ненадлежащего ремонта изделия;
- использования для ремонта изделия неоригинальных деталей или деталей, не одобренных производителем;
- использования неоригинальных дополнительных принадлежностей или принадлежностей, не одобренных производителем;
- ремонта изделия в неавторизованном сервисном центре или неквалифицированным специалистом;

Безопасность

Инструкции по технике безопасности

Предупреждения, предостережения и примечания используются для выделения особо важных пунктов руководства.



ПРЕДУПРЕЖДЕНИЕ:

Используется, когда несоблюдение инструкций руководства может привести к травмам или смерти оператора или находящихся рядом посторонних лиц.



ВНИМАНИЕ: Используется, когда несоблюдение инструкций руководства может привести к повреждению изделия, других материалов или прилегающей территории.

Примечание: Используется для предоставления дополнительных сведений о конкретной ситуации.

Общие инструкции по технике безопасности



ПРЕДУПРЕЖДЕНИЕ: В обязательном порядке прочитайте следующие инструкции по технике безопасности, прежде чем приступить к эксплуатации изделия.

- При небрежном или неправильном обращении изделие может оказаться опасным инструментом. Несоблюдение инструкций по технике

безопасности может привести к травмам или смерти.

- Во время работы данное изделие создает электромагнитное поле. В определенных обстоятельствах это поле может создавать помехи для пассивных и активных медицинских имплантатов. В целях снижения риска серьезной или смертельной травмы лицам с медицинскими имплантатами рекомендуется проконсультироваться с врачом и изготовителем имплантата, прежде чем приступить к эксплуатации данного изделия.
- Будьте всегда осторожны и руководствуйтесь здравым смыслом. Если вы не уверены, как правильно эксплуатировать изделие в определенной ситуации, прекратите работу и проконсультируйтесь со своим дилером Husqvarna, прежде чем продолжить.
- Помните: ответственность за аварии, угрожающие другим людям или их имуществу, несет оператор.
- Содержите изделие в чистоте. Следите за тем, чтобы знаки и наклейки были легко читаемыми.
- Не разрешайте пользоваться изделием людям, не убедившись сначала в том, что они прочитали и поняли содержание руководства по эксплуатации.
- Не позволяйте детям использовать изделие.
- Не допускайте детей в рабочую зону. Они должны постоянно находиться под присмотром взрослого.
- Не разрешайте пользоваться изделием людям, которые не знакомы с данными инструкциями.
- Не оставляйте без присмотра людей с физическими или умственными нарушениями, использующих изделие. Они должны постоянно находиться под присмотром взрослого.

Техника безопасности



ПРЕДУПРЕЖДЕНИЕ: В обязательном порядке прочитайте следующие инструкции по технике безопасности, прежде чем приступать к эксплуатации изделия.

- Изделие предназначено исключительно для скашивания травы на газонах. Запрещается использовать изделие не по назначению.
- Пользуйтесь средствами индивидуальной защиты. См. раздел *Средства индивидуальной защиты на стр. 271*.
- Убедитесь, что вы знаете, как быстро остановить двигатель в аварийной ситуации.
- Запрещается запускать двигатель в закрытом помещении или вблизи легковоспламеняющихся материалов. Выхлопные газы двигателя имеют высокую температуру и могут содержать искры, которые в свою очередь могут привести к пожару.
- Ни в коем случае не используйте изделие с отсутствующими или неправильно установленными кожухами или ножом. Неправильно установленный нож может высвободиться и причинить травму.
- Следите за тем, чтобы в нож не попали посторонние предметы, например, камни и корни. Это может затупить нож и привести к искривлению вала двигателя. При сгибании оси увеличивается уровень вибрации, что может привести к снижению надежности крепления ножа.
- В случае столкновения ножа с посторонним предметом или возникновения вибрации незамедлительно остановите изделие. Отсоедините кабель от свечи зажигания. Проверьте изделие на наличие повреждений. Выполните ремонт повреждений или обратитесь в авторизованный сервисный центр для выполнения ремонта.
- Запрещается на постоянной основе фиксировать рукоятку тормоза двигателя при работающем двигателе.
- При запуске изделие должно находиться на устойчивой, ровной поверхности. Убедитесь, что нож не касается грунта или любого другого предмета.
- При работе с изделием всегда стойте сзади.
- При работе с изделием все колеса должны стоять на земле; держите рукоятку обеими руками. Не приближайте руки или ноги к вращающимся ножам.
- Запрещается наклонять изделие при работающем двигателе.
- Соблюдайте осторожность, когда тянете изделие назад.
- Запрещается поднимать изделие при работающем двигателе. Если вам необходимо

- Ни в коем случае не используйте изделие, если вы устали, больны или находитесь под воздействием спиртного, наркотических веществ или лекарственных препаратов. Это может повлиять на ваше зрение, реакцию, координацию или оценку действительности.
- Запрещается использовать изделие, если оно повреждено.
- Запрещается вносить в изделие модификации или использовать изделие, если вы подозреваете, что в его конструкцию внесены изменения другими лицами.
- Не изменяйте настройку системы управления частотой вращения двигателя.

Техника безопасности на рабочем месте



ПРЕДУПРЕЖДЕНИЕ: В обязательном порядке прочитайте следующие инструкции по технике безопасности, прежде чем приступать к эксплуатации изделия.

- Уберите ветви, сучья, камни и прочие посторонние предметы из рабочей зоны перед началом эксплуатации изделия.
- Предметы, ударяющиеся о режущий инструмент, могут быть отброшены, что приведет к травмам или повреждению имущества. Следите за тем, чтобы посторонние лица и животные находились на безопасном расстоянии от изделия.
- Ни в коем случае не используйте изделие при неблагоприятных погодных условиях, например, в туман, дождь, при сильном ветре, низких температурах и риске удара молнии. Эксплуатация изделия при плохих погодных условиях или на сырых участках утомительна. Плохие погодные условия могут создавать опасные условия для работы, например, скользкие поверхности.
- Следите за возможным появлением посторонних лиц, предметов или условий, которые могут препятствовать безопасной эксплуатации изделия.
- Следите за возможным появлением препятствий, таких как корни, камни, сучья, ямы или рвы. Высокая трава может скрывать препятствия.
- Стрижка травы на склоне может представлять опасность. Запрещается использовать изделие на участках с уклоном более 15°.
- Используйте изделие поперек поверхности склона. Не передвигайтесь вверх и вниз по поверхности склона.
- Проявляйте особую осторожность при приближении к скрытым из видимости поворотам или предметам, которые могут затруднять обзор.

поднять изделие, сначала остановите двигатель и отсоедините кабель от свечи зажигания.

- Запрещается двигаться назад при работе с изделием.
- Остановливайте двигатель, когда пересекаете непокрытые травой зоны, например, дорожки из гравия, камня или асфальта.
- Запрещается бегать с изделием при работающем двигателе. Работайте с изделием в спокойном темпе.
- Выключайте двигатель, прежде чем изменить высоту стрижки. Ни в коем случае не выполняйте регулировку при работающем двигателе.
- Ни в коем случае не выпускайте изделие из вида при работающем двигателе. Остановите двигатель и убедитесь, что режущее оборудование не вращается.

Инструкции по безопасности во время эксплуатации

Средства индивидуальной защиты



ПРЕДУПРЕЖДЕНИЕ: В обязательном порядке прочитайте следующие инструкции по технике безопасности, прежде чем приступить к эксплуатации изделия.

- Средства индивидуальной защиты не могут полностью исключить риск получения травмы, но при несчастном случае они снижают тяжесть травмы. За помощью по правильному выбору оборудования обращайтесь к дилеру.
- Если уровень шума превышает 85 дБ, следует использовать защитные наушники.
- Используйте прочные, противоскользящие ботинки. Запрещается надевать открытую обувь или работать босиком.
- Надевайте прочные длинные брюки.
- При необходимости надевайте защитные перчатки, например, при закреплении, проверке или очистке режущего оборудования.

Защитные устройства на изделии



ПРЕДУПРЕЖДЕНИЕ: В обязательном порядке прочитайте следующие инструкции по технике безопасности, прежде чем приступить к эксплуатации изделия.

- Запрещается использовать изделие с неисправными защитными устройствами.
- Регулярно выполняйте проверку защитных устройств. Если защитные устройства неисправны, обратитесь в сервисный центр Husqvarna.

Проверка режущей деки

Режущая дека снижает уровень вибрации изделия и риск травмирования ножом.

- Проверьте режущую деку и убедитесь, что на ней отсутствуют повреждения, такие как трещины.

Проверка кожуха ремня

Кожух ремня снижает риск травмы и предотвращает выброс поврежденного приводного ремня.

- Убедитесь, что кожух ремня цел и правильно закреплен на изделии. (Рис. 13)

Проверка кожуха ремня

Кожух ремня снижает риск травмы и предотвращает выброс поврежденного приводного ремня.

- Убедитесь, что кожух ремня цел и правильно закреплен на изделии. (Рис. 14)

Рукоятка тормоза двигателя

Рукоятка тормоза двигателя предназначена для остановки двигателя. При отпускании рукоятки тормоза двигатель останавливается.

Для выполнения проверки тормоза двигателя запустите двигатель, а затем отпустите рукоятку тормоза. Если двигатель не остановится через 3 секунды, обратитесь в авторизованный сервисный центр Husqvarna для регулировки тормоза двигателя.

(Рис. 15)

Проверка системы гашения вибраций



ПРЕДУПРЕЖДЕНИЕ:

Длительное воздействие вибрации может привести к нарушению кровообращения или расстройствам нервной системы у лиц с нарушенным кровообращением. В случае появления тревожных симптомов обратитесь за медицинской помощью. К таким симптомам относятся онемение, потеря чувствительности, ощущение щекотки и покалывания, боли, потеря силы или слабость, изменение цвета или состояния кожи. Как правило, подобные симптомы проявляются на пальцах, руках или запястьях.

Система гашения вибраций снижает уровень вибрации на ручках во время работы.

Стальная трубка в рукоятке и режущая дека снижают уровень вибрации. Модель KLIPPO LB 548S e также оснащена 4 виброгасителями, прикрепленными к рукоятке.

- Проверьте рукоятку и виброгасители на наличие повреждений. (Рис. 16)

Держатель ножа

Держатель ножа снижает риск деформации вала двигателя. При столкновении ножа с предметом нож смещается в сторону держателя. При этом поверхность держателя ножа подвергается износу. Наличие износа указывает на то, что защита вала двигателя работает должным образом.

Глушитель

Глушитель предназначен для максимального снижения уровня шума и отвода выхлопных газов в сторону от оператора.

Запрещается использовать изделие, если глушитель поврежден или отсутствует. Повреждение глушителя приводит к увеличению уровня шума и риску возгорания.



ПРЕДУПРЕЖДЕНИЕ:

Глушитель значительно нагревается во время эксплуатации и сразу после остановки, а также во время работы двигателя на холостых оборотах. Во избежание возгорания соблюдайте осторожность при работе вблизи легковоспламеняющихся материалов и/или паров.

Проверка глушителя

- Регулярно осматривайте глушитель и проверяйте, что он правильно закреплен и не поврежден.

Правила безопасного обращения с топливом



ПРЕДУПРЕЖДЕНИЕ: В

обязательном порядке прочитайте следующие инструкции по технике безопасности, прежде чем приступить к эксплуатации изделия.

- Запрещается запускать изделие, если на него попало топливо или моторное масло. Удалите постороннее топливо/масло и дайте изделию высохнуть.
- Если топливо попало на одежду, немедленно смените ее.
- Не допускайте попадания топлива на тело, это может причинить вред здоровью. При попадании топлива на тело смойте его водой с мылом.
- Запрещается запускать изделие при наличии утечки из двигателя. Регулярно проверяйте двигатель на наличие утечек.
- Соблюдайте осторожность при обращении с топливом. Топливо является легковоспламеняющейся жидкостью со взрывоопасными парами и может привести к серьезным или смертельным травмам.

- Запрещается вдыхать пары топлива, т. к. это может причинить вред здоровью. Убедитесь в наличии достаточного потока воздуха.
- Запрещается курить вблизи топлива или двигателя.
- Запрещается ставить теплые предметы рядом с топливом или двигателем.
- Запрещается доливать топливо при работающем двигателе.
- Прежде чем заправить изделие, убедитесь, что двигатель полностью остыл.
- Перед заправкой топлива медленно откройте крышку топливного бака и осторожно сбросьте давление.
- Запрещается заливать топливо в двигатель в помещении. Недостаточная вентиляция может привести к травме или смерти в результате удушья или отравления угарным газом.
- Плотно затяните крышку топливного бака. Если крышка топливного бака не затянута, возникает риск пожара.
- Переместите изделие минимум на 3 м / 10 футов от места заправки топливом, прежде чем запустить его.
- Никогда не заправляйте топливный бак полностью. Тепло приводит к расширению топлива. Оставьте место в верхней части топливного бака.

Инструкции по технике безопасности во время технического обслуживания



ПРЕДУПРЕЖДЕНИЕ: В

обязательном порядке прочитайте следующие инструкции по технике безопасности, прежде чем приступить к эксплуатации изделия.

- Выхлопные газы из двигателя содержат окись углерода — не имеющий запаха, токсичный и чрезвычайно опасный газ. Запрещается запускать двигатель в помещении или в замкнутых пространствах.
- Прежде чем приступить к техобслуживанию изделия, остановите двигатель и отсоедините кабель от свечи зажигания.
- Надевайте защитные перчатки при техобслуживании режущего оборудования. Нож очень острый, что при неосторожном обращении может легко привести к порезам.
- Использование принадлежностей или внесение изменений в конструкцию изделия, не одобренных производителем, может привести к серьезным или смертельным травмам. Запрещается вносить изменения в конструкцию изделия. Пользуйтесь только рекомендованными производителем принадлежностями.

- При несоблюдении правил и сроков выполнения техобслуживания риск получения травмы или повреждения изделия возрастает.
- Выполняйте техобслуживание строго в соответствии с инструкциями, приведенными в руководстве по эксплуатации. Все прочие виды сервисного обслуживания должны проводиться в авторизованном сервисном центре Husqvarna.
- Регулярно обращайтесь в авторизованный сервисный центр Husqvarna для проведения техобслуживания изделия.
- Замените поврежденные, сломанные или изношенные детали.

Сборка

Введение



ПРЕДУПРЕЖДЕНИЕ: Перед сборкой изделия ознакомьтесь с разделом, посвященным безопасности, и усвойте его содержание.



ПРЕДУПРЕЖДЕНИЕ: Перед сборкой изделия снимите со свечи зажигания провод свечи зажигания.

Установка и регулировка рукоятки

1. Отверните гайку рукоятки и снимите шайбу с пластины на верхней рукоятке.
2. Установите верхнюю рукоятку в соответствующее положение над нижней рукояткой.



ВНИМАНИЕ: Убедитесь, что провода не заземлены и не повреждены.

3. Установите шайбу и заверните гайку рукоятки. (Рис. 17)
4. При эксплуатации изделия около стены поверните рукоятку в сторону, чтобы обеспечить надлежащее рабочее положение. (Рис. 18)
5. Поверните регулировочные колеса на шасси для вертикальной регулировки рукоятки. (Рис. 19)

Установка пробки для мульчирования KLIPPO LB 448S, KLIPPO LB 548S e

1. Наклоните изделие назад таким образом, чтобы свеча зажигания была сверху.
2. Вставьте штифты пробки для мульчирования в отверстия с внутренней стороны режущей деки. (Рис. 20)
3. Заверните винты пробки для мульчирования с внешней стороны режущей деки. (Рис. 21)

Эксплуатация

Введение



ПРЕДУПРЕЖДЕНИЕ: Перед эксплуатацией прибора необходимо внимательно изучить раздел безопасности.

Husqvarna Connect

Husqvarna Connect представляет собой бесплатное приложение для мобильного устройства. Приложение Husqvarna Connect позволяет пользоваться расширенными функциями вашего изделия Husqvarna:

- Дополнительная информация об изделии.
- Сведения о деталях и помощь в техническом обслуживании.

Как начать использовать Husqvarna Connect

1. Загрузите приложение Husqvarna Connect на свое мобильное устройство.
2. Зарегистрируйтесь в приложении Husqvarna Connect.
3. Выполните пошаговые инструкции в приложении Husqvarna Connect для подключения и регистрации изделия.

Перед началом эксплуатации изделия

1. Внимательно прочитайте руководство по эксплуатации и убедитесь, что понимаете приведенные здесь инструкции.
2. Осмотрите режущее оборудование и убедитесь, что оно правильно закреплено и отрегулировано. См. раздел *Проверка режущего оборудования на стр. 276.*

3. Заполните топливный бак. См. раздел *Заправка топливом на стр. 274*.
4. Заполните масляный бак и проверьте уровень масла. См. раздел *Проверка уровня масла на стр. 277*.

Заправка топливом

По возможности пользуйтесь экологическим/алкилатным бензином. При невозможности использовать экологический/алкилатный бензин используйте качественный неэтилированный или этилированный бензин с октановым числом не ниже 90.



ВНИМАНИЕ: Не используйте бензин с октановым числом меньше 90 RON (87 AKI). Это может привести к повреждению изделия.

1. Медленно откройте крышку топливного бака, чтобы стравить давление.
2. Медленно залейте топливо из канистры. Если вы пролили топливо, протрите его тряпкой и дайте оставшемуся топливу высохнуть.
3. Очистите поверхность вокруг крышки топливного бака.
4. Плотнo затяните крышку топливного бака. Если крышка топливного бака не затянута, возникает риск пожара.
5. Переместите изделие минимум на 3 м (10 футов) от места заправки топливом, прежде чем запустить его.

Регулировка высоты стрижки

Высоту стрижки возможно установить на 6 разных уровнях.

1. Переведите рычаг регулировки высоты стрижки вперед, чтобы увеличить высоту стрижки.
2. Переведите рычаг регулировки высоты стрижки назад, чтобы уменьшить высоту стрижки.



ВНИМАНИЕ: Не устанавливайте высоту стрижки слишком низко. Ножи могут ударяться о землю, если поверхность газона неровная.

Запуск изделия

1. Убедитесь, что кабель подсоединен к свече зажигания.
2. Откройте топливный клапан. (Рис. 22)

3. Стойте сзади изделия.
4. Прижмите рукоятку тормоза двигателя к рукоятке. (Рис. 23)
5. Держите рукоятку стартера правой рукой.
6. Медленно потяните за шнур стартера, пока не почувствуете некоторое сопротивление.
7. Резко потяните трос, чтобы завести двигатель.



ПРЕДУПРЕЖДЕНИЕ: Не накручивайте шнур стартера вокруг руки.



ВНИМАНИЕ: Не вытягивайте шнур стартера полностью. Не отпускайте ручку шнура стартера при вытянутом шнуре.

Использование привода колес

- Опустите рычаг привода. (Рис. 24)
- Прежде чем потянуть изделие назад, отключите привод и толкните изделие вперед примерно на 10 см.
- Немного отпустите рукоятку тормоза двигателя, чтобы отключить привод, например, при приближении к препятствию.

Остановка изделия

- Для остановки только привода немного отпустите рукоятку тормоза двигателя.
- Для остановки двигателя полностью отпустите рукоятку тормоза двигателя.
- Закройте топливный клапан. (Рис. 25)

Достижение оптимальных результатов

- Всегда пользуйтесь хорошо заточенным ножом. Затупившийся нож будет стричь траву неровно, и в месте среза трава будет желтеть. При использовании острого ножа также затрачивается меньше энергии, чем при работе с затупившимся ножом.
- Не срежьте более $\frac{1}{3}$ всей длины травы. Выполните первую стрижку на большей высоте. Проверьте полученный результат и уменьшите высоту стрижки до необходимого уровня. Если трава высокая, передвигайте газонокосилку медленно и, при необходимости, используйте газонокосилку 2 раза.
- Если вы хотите избежать образования полос на вашем газоне, следует каждый раз стричь его в разных направлениях.

Техническое обслуживание

Введение



ПРЕДУПРЕЖДЕНИЕ: Перед выполнением техобслуживания необходимо внимательно изучить и понять раздел безопасности.

Для выполнения любых работ по сервисному обслуживанию и ремонту изделия необходимо пройти специальное обучение. Мы гарантируем доступность услуг по профессиональному ремонту и сервисному обслуживанию. Если ваш дилер не занимается сервисным обслуживанием, обратитесь к

нему для получения информации о ближайшем сервисном центре.

График технического обслуживания

График технического обслуживания рассчитан исходя из ежедневного использования изделия. Если изделие не используется ежедневно, интервалы техобслуживания изменятся.

Информацию о техническом обслуживании, отмеченном знаком *, см. в инструкциях в *Защитные устройства на изделии на стр. 271*.

Техническое обслуживание	Ежедневно	Еженедельно	Ежемесячно
Выполните общий осмотр	X		
Проверьте уровень масла	X		
Очистите изделие	X		
Очистите воздушный фильтр	X		
Проверьте режущее оборудование	X		
Проверьте режущую деку*	X		
Проверьте рукоятку тормоза двигателя*	X		
Проверьте глушитель*		X	
Проверьте свечу зажигания		X	
Проверьте приводной ремень на наличие повреждений			X
Очистите корпус редуктора			X
Замените масло (первый раз через 5 часов использования, затем через каждые 25 часов использования и ежегодно)			X
Замените воздушный фильтр			X
Проверьте топливную систему			X
Осмотрите и отрегулируйте привод (трос сцепления)			X

Выполнение общего осмотра

- Проверьте затяжку гаек и винтов на изделии.

Очистка изделия снаружи

- Используйте щетку для удаления листьев, травы и грязи.
- Убедитесь, что воздухозаборник в верхней части двигателя не заблокирован.
- Не используйте моечный агрегат высокого давления для чистки устройства.

- Если вы используете воду для очистки изделия, не допускайте попадания воды непосредственно на двигатель.

Очистка внутренней поверхности режущей деки

- Положите изделие на бок таким образом, чтобы сторона с глушителем была направлена вниз.



ВНИМАНИЕ: Если положить изделие так, что воздушный фильтр будет направлен вниз, можно повредить двигатель.

2. Промойте водой из шланга внутренние поверхности режущей деки.

Проверка приводного ремня и очистка корпуса редуктора

1. Отверните 4 винта на кожухе ремня и снимите кожух ремня. (Рис. 26)
2. Проверьте приводной ремень и ременные шкивы на наличие повреждений.
3. Используйте щетку для удаления листьев, травы и грязи с корпуса редуктора. (Рис. 27)

Замена и регулировка приводного ремня

1. Отверните 4 винта на кожухе ремня и снимите кожух ремня. (Рис. 26)
2. Вставьте плоскую отвертку между колпаком и правым передним колесом изделия.
3. Осторожно поверните отвертку, чтобы снять колпак.
4. Отверните колесный болт и снимите колесо. (Рис. 28)
5. Снимите приводной ремень с ременных шкивов.
6. Убедитесь, что ременные шкивы свободно вращаются на оси.
7. При необходимости распылите пропиточное масло между ременными шкивами и позади них, а также смажьте ось.
8. Установите новый приводной ремень; перед регулировкой приводного ремня правильно закрепите его на шариковом подшипнике. (Рис. 29)
9. Для регулировки приводного ремня переместите шариковый подшипник вверх или вниз. (Рис. 30)

Примечание: По мере использования новый приводной ремень растягивается. После нескольких часов работы отрегулируйте приводной ремень повторно.

10. Установите кожух ремня.
11. Запустите изделие, чтобы убедиться в правильности установки и регулировки приводного ремня.

Замена и регулировка центрального ремня

1. Снимите нож.

Примечание: Данный этап необязателен, если вы выполняете только регулировку центрального ремня.

2. Ослабьте регулировочные винты на несколько оборотов, но не снимайте их. (Рис. 31)
3. Замените центральный ремень и умеренно затяните регулировочные винты.

Примечание: Данный этап необязателен, если вы выполняете только регулировку центрального ремня.

4. Для регулировки центрального ремня переместите шестерню вперед или назад. (Рис. 32)
5. С помощью весов с крючком проверьте натяжение центрального ремня. Правильное натяжение ремня обеспечивается, если он может смещаться на 6-10 мм в центре. Это соответствует усилию в 3 кг. (Рис. 33)
6. Полностью затяните регулировочные винты моментом 3 Нм.
7. Запустите изделие, чтобы убедиться в правильности установки и регулировки приводного ремня.

Проверка режущего оборудования



ПРЕДУПРЕЖДЕНИЕ: Во избежание непреднамеренного запуска отсоедините кабель от свечи зажигания.



ПРЕДУПРЕЖДЕНИЕ: Надевайте защитные перчатки при техобслуживании режущего оборудования. Нож очень острый, что при неосторожном обращении может легко привести к порезам.

1. Проверьте режущее оборудование на наличие повреждений или трещин. Всегда заменяйте поврежденное режущее оборудование.
2. Осмотрите нож на наличие повреждений или следов притупления.

Примечание: После заточки ножа необходимо выполнить его балансировку. Обратитесь в сервисный центр для выполнения заточки, замены и балансировки ножа. При столкновении с препятствием, которое привело в остановке изделия, замените поврежденный нож. Сервисный центр должен определить, следует ли заточить нож или лучше его заменить.

Замена ножа

1. Заблокируйте нож деревянным брусом. (Рис. 34)

- Снимите болт ножа, пружинную шайбу и нож. (Рис. 35)
- Проверьте держатель ножа и болт ножа на наличие повреждений.
 - В случае замены ножа или держателя ножа болт ножа, пружинная шайба и фрикционная шайба также подлежат замене.
- Проверьте вал двигателя на наличие деформации.
- При установке нового ножа следите за тем, чтобы согнутые края были обращены в сторону режущей деки. (Рис. 36)
- Приложите фрикционную шайбу и нож к держателю ножа. (Рис. 37)
- Убедитесь, что нож совмещен с центром вала двигателя. (Рис. 38)
- Заблокируйте нож деревянным бруском. (Рис. 39)
- Установите пружинную шайбу и затяните болт моментом 80 Н·м. (Рис. 40)
- Проверните нож рукой и убедитесь, что он свободно вращается.



ПРЕДУПРЕЖДЕНИЕ:

Используйте защитные перчатки. Нож очень острый, что при неосторожном обращении может легко привести к порезам.

- Запустите изделие, чтобы проверить работу ножа. Если нож установлен неправильно, вы ощутите вибрацию изделия, или результат стрижки будет неудовлетворительным.

Проверка уровня масла



ВНИМАНИЕ: Слишком низкий уровень масла может привести к повреждениям двигателя. Проверьте уровень масла перед запуском изделия.

- Расположите изделие на ровной поверхности.
- Закройте топливный клапан.
- Снимите крышку масляного бака вместе с щупом.
- Очистите щуп от масла.
- Вставьте щуп в масляный бак, но не затягивайте крышку масляного бака.
- Извлеките щуп.
- Проверьте уровень масла на щупе.
- Если уровень масла низкий, залейте моторное масло и проверьте уровень масла еще раз. Уровень масла соответствует норме, если он находится у верхней отметки на щупе.

Замена моторного масла



ПРЕДУПРЕЖДЕНИЕ: Моторное масло очень горячее сразу после остановки двигателя. Дайте двигателю остыть, прежде чем сливать моторное масло. При попадании моторного масла на кожу смойте его мылом и водой.

- Запустите изделие до полного расхода топлива в баке.
- Отсоедините провод от свечи зажигания.
- Снимите крышку масляного бака.
- Поместите емкость под изделие для сбора моторного масла.
- Наклоните изделие, чтобы слить моторное масло из масляного бака.
- Заправьте бак новым моторным маслом; используйте тип масла, рекомендованный в *Технические данные на стр. 278*.
- Проверьте уровень моторного масла. См. раздел *Проверка уровня масла на стр. 277*.

Очистка воздушного фильтра



ВНИМАНИЕ: Запрещается запускать двигатель без установленного воздушного фильтра или с грязным воздушным фильтром.



ВНИМАНИЕ: Если воздушный фильтр не получается полностью очистить или он поврежден, замените его. Неисправный воздушный фильтр приводит к повреждению двигателя.

- Нажмите на фиксаторы (А), снимите крышку воздушного фильтра (В) и сам воздушный фильтр (С). (Рис. 41)
- Постучите воздушным фильтром о твердую поверхность или продуйте его сжатым воздухом с чистой стороны.



ВНИМАНИЕ: Ни в коем случае не используйте для удаления грязи щетку, поскольку она проталкивает частицы грязи глубже в воздушный фильтр.

- Очистите держатель воздушного фильтра (D) и крышку воздушного фильтра влажной тряпкой.



ВНИМАНИЕ: Следите за тем, чтобы в воздухопровод (Е) не попала грязь.

4. Установите воздушный фильтр. Убедитесь, что воздушный фильтр плотно посажен на место.
5. Установите крышку воздушного фильтра, начиная с нижних фиксаторов.

Проверка свечи зажигания



ВНИМАНИЕ: Всегда используйте только указанный тип свечи. Использование неправильного типа свечи зажигания может привести к повреждению изделия.

- Проверьте свечу зажигания, если двигатель не набирает мощность, плохо заводится или плохо работает на холостых оборотах.
- Чтобы уменьшить риск появления нежелательного материала на электродах свечи зажигания, соблюдайте следующие инструкции:
 - a) Убедитесь в правильности регулировки частоты оборотов холостого хода.
 - b) Убедитесь, что используется надлежащая топливная смесь.

- c) Убедитесь, что воздушный фильтр чист.
- Если свеча зажигания загрязнена, очистите ее и проверьте зазор между электродами, см. раздел *Технические данные на стр. 278*. (Рис. 42)
 - При необходимости замените свечу зажигания.

Проверка топливной системы

- Проверьте крышку топливного бака и уплотнение крышки топливного бака на наличие повреждений.
- Проверьте топливный шланг на наличие утечек. Если топливный шланг поврежден, обратитесь в сервисный центр для его замены.

Регулировка троса сцепления

Если привод кажется медленным, необходимо отрегулировать трос сцепления.

- Поверните регулировочный винт. (Рис. 43)

Трос сцепления отрегулирован правильно, если кронштейн троса сцепления совмещен с гайкой.

(Рис. 44)

Транспортировка, хранение и утилизация

Транспортировка и хранение

- Перед помещением на хранение и транспортировкой изделия и топлива убедитесь в отсутствии утечек или испарения топлива. Искры или источники открытого огня, например, от электрических устройств или котлов, могут привести к пожару.
- Всегда используйте рекомендованные контейнеры для хранения и транспортировки топлива.
- Перед помещением изделия на длительное хранение опорожните топливный бак. Утилизируйте топливо в специально предназначенном для этого месте.
- Надежно закрепите изделие на время транспортировки для предотвращения повреждений или аварий.

- Храните изделие в запечатом помещении для предотвращения доступа к изделию детей или посторонних лиц.
- Храните изделие в сухом и защищенном от низких температур месте.

Утилизация

- Соблюдайте местное законодательство и действующие нормы в области переработки.
- Утилизируйте все химические вещества, такие как моторное масло или топливо, в сервисном центре или в специально предназначенном для этого месте.
- Если изделие больше не эксплуатируется, отправьте его дилеру Husqvarna или утилизируйте в пункте переработки.

Технические данные

Технические данные

	KLIPPO LB 448S	KLIPPO LB 453S	KLIPPO LB 548S e
Двигатель			
Марка	Honda	Honda	Honda
Рабочий объем, см ³	145	166	166

	KLIPPO LB 448S	KLIPPO LB 453S	KLIPPO LB 548S e
Частота вращения, об/мин	2900	2900	2900
Номинальная мощность двигателя, кВт ¹⁰⁶	2,7	3,3	3,3
Система зажигания			
Свеча зажигания	NGK BPR5ES	NGK BPR5ES	NGK BPR5ES
Зазор между электродами, мм	0,7-0,8	0,7-0,8	0,7-0,8
Топливная система и система смазки			
Емкость топливного бака, л	0,9	0,9	0,9
Емкость масляного бака, л	0,55	0,5	0,55
Моторное масло ¹⁰⁷	SAE 10W-30	SAE 10W-30	SAE 10W-30
Вес			
С пустыми баками, кг	30,5	33	32,5
Излучение шума ¹⁰⁸			
Уровень мощности звука, измеренный, дБ(А)	90	91	90
Уровень мощности шума, гарантированный L _{WA} дБ (А)	91	94	91
Уровни шума ¹⁰⁹			
Уровень шумового давления на уши оператора, дБ(А)	77	78	78
Уровни вибрации, a_{hveq} ¹¹⁰			
На ручке, м/с ²	4,5	5,3	4,8
Режущее оборудование			
Высота реза, мм	30-60	30-60	30-60
Ширина стрижки, мм	480	530	480
Нож	Мульчирующий - 48 см 5028813-10	Мульчирующий - 53 см 5028814-10	Мульчирующий - 48 см 5028813-10

¹⁰⁶ Указанная номинальная мощность двигателя — это средняя полезная мощность типичного серийного двигателя при указанной частоте вращения (об/мин) для определенной модели двигателя, измеренная в соответствии со стандартом SAE J1349/ISO1585. Показатели двигателей массового производства могут отличаться от этого значения. Фактическая выходная мощность двигателя, установленного на определенном изделии, зависит от рабочей скорости, условий окружающей среды и других параметров.

¹⁰⁷ Используйте моторное масло качества SG-SH. См. таблицу вязкости в руководстве производителя двигателя и выберите оптимальное значение в соответствии с ожидаемой температурой окружающей среды.

¹⁰⁸ Излучение шума в окружающую среду измеряется как шумовой эффект (L_{WA}) согласно Директиве ЕС 2000/14/ЕС.

¹⁰⁹ Уровень шумового давления в соответствии с ISO 5395. Указанные данные об уровне шумового давления имеют типичный статистический разброс (стандартное отклонение) в 1,2 дБ (А).

¹¹⁰ Уровень вибрации в соответствии с ISO 5395. Указанные данные об уровне вибрации имеют типичный статистический разброс (стандартное отклонение) 0,2 м/с².

	KLIPPO LB 448S	KLIPPO LB 453S	KLIPPO LB 548S e
Привод			
Скорость, км/ч	4,5	4,5	4,5

Декларация соответствия ЕС

Декларация соответствия ЕС

Husqvarna AB, SE-561 82 Huskvarna, Швеция, тел.: +46-36-146500, настоящим заявляет, что **газонокосилки Husqvarna KLIPPO LB 448S, KLIPPO LB 453S, KLIPPO LB 548S** с серийными номерами 2020xxxxxxx и далее соответствует требованиям ДИРЕКТИВ СОВЕТА ЕС:

- от 17 мая 2006 года "о механическом оборудовании" **2006/42/EC**
- от 26 февраля 2014 года "об электромагнитной совместимости" **2014/30/EU**
- от 8 мая 2000 года "об излучении шума в окружающую среду" **2000/14/EC**
- от 8 июня 2011 года "об ограничении использования определенных опасных веществ в электрическом и электронном оборудовании" **2011/65/EU**

Информация по излучению шума представлена в разделе "Технические данные".

Применяются следующие стандарты:

EN ISO 5395-1, EN ISO 5395-2, EN ISO 5395-2 Amd1, EN ISO 5395-2 Amd 2, EN 55012, EN 50581:2012

Если не указано иначе, подразумевается последняя опубликованная редакция стандартов.

Зарегистрированная организация: **0404, RISE SMP Svensk Maskinprovning AB, Box 7035, SE-750 07 Uppsala** представила отчеты об оценке соответствия согласно приложению VI к ДИРЕКТИВЕ СОВЕТА от 8 мая 2000 года "об излучении шума в окружающую среду" 2000/14/ЕС.

Huskvarna, 2020-09-16



Клаес Лосдал (Claes Losdal), директор Отдела разработки/Садовая техника (Уполномоченный представитель Husqvarna AB и ответственный за техническую документацию)

141400, Московская обл., Г. Химки, ул. Ленинградская, владение 39, строение 6, здание II этаж 4, помещение ОВ02_04, телефон горячей линии 8-800-200-1689

Obsah

Úvod.....	282	Údržba.....	288
Bezpečnosť.....	283	Preprava, skladovanie a likvidácia.....	291
Montáž.....	286	Technické údaje.....	291
Prevádzka.....	286	ES vyhlásenie o zhode.....	293

Úvod

Popis výrobku

Tento výrobok je rotačná kosačka na trávu s chodiacou obsluhou využívajúca zarážku BioClip®, ktorá trávu naseká tak, aby sa dala použiť ako hnojivo.

Prehľad výrobku

(Obr. 1)

1. Držadlo/rukoväť
2. Rukoväť motorovej brzdy
3. Páka pohonu
4. Držadlo štartovacieho lanka
5. Viečko na olej
6. Kryt remeňa
7. Tlmič výfuku
8. Zapaľovacia sviečka
9. Kryt remeňa
10. Palivová nádrž
11. Páka na nastavenie uhla rukoväte
12. Systém na tmenie vibrácií
13. Nastavenie spojovacieho vodiča
14. Spodná rukoväť
15. Páka výšky rezu
16. Palivový ventil
17. Vzduchový filter
18. Kryt rezacej časti
19. Perová podložka
20. Skrutka čepele
21. Čepeľ
22. Podpera čepele
23. Zástrčka mulčovania (KLIPPO LB 448S, KLIPPO LB 548S e)
24. Návod na obsluhu

Symbole na výrobku

- (Obr. 2) UPOZORNENIE: Neopatrné alebo nesprávne používanie môže spôsobiť zranenie alebo usmrtenie obsluhy alebo iných osôb.
- (Obr. 3) Skôr než začnete stroj používať, pozorne si prečítajte návod na obsluhu a

Plánované použitie

Produkt používajte na kosenie trávy. Výrobok nepoužívajte na iné účely.

- presvedčíte sa, že ste porozumeli jeho obsahu.
- (Obr. 4) Dávajte pozor na vymrštené predmety a spätné nárazy.
- (Obr. 5) Dbajte na to, aby osoby a zvieratá nevstupovali do pracovnej oblasti.
- (Obr. 6) Pred vykonávaním opráv a údržby vypnite motor a odpojte kábel zapaľovania.
- (Obr. 7) Upozornenie: Udržiavajte ruky a chodidlá mimo dosahu rotujúcich častí.
- (Obr. 8) Upozornenie: Udržiavajte ruky a chodidlá mimo dosahu rotujúceho noža.
- (Obr. 9) Tento výrobok je v súlade s príslušnými smernicami EÚ.
- (Obr. 10) Emisie hluku do okolia podľa európskej smernice 2000/14/ES a legislatívy v štáte New South Wales „Protection of the Environment Operations (Noise Control) Regulation 2017“ (Nariadenie o ochrane životného prostredia pri prevádzke (kontrola hluku) z roku 2017). Údaje o emisii hluku možno nájsť na štítku stroja a v kapitole s technickými údajmi.
- (Obr. 11) Snímateľný kód.

Poznámka: Ostatné symboly/emblémy na výrobku odkazujú na požiadavky certifikácie pre niektoré komerčné oblasti.

Štítky na výrobku, iba pre Austráliu a Nový Zéland

(Obr. 12)

Udržiavajte ruky a chodidlá mimo dosahu rotujúceho noža.

Emisie Euro V



VÝSTRAHA: Nepovolená manipulácia s motorom ruší platnosť typového schválenia tohto výrobku pre EÚ.

Zodpovednosť za výrobok

V súlade s právnymi predpismi upravujúcimi zodpovednosť za výrobok nenesieme zodpovednosť za škody spôsobené naším výrobkom v dôsledku:

- nesprávne vykonanej opravy výrobku,
- opravy výrobku, pri ktorej neboli použité diely od výrobcu alebo diely schválené výrobcom,
- použitia príslušenstva od iného výrobcu alebo príslušenstva, ktoré nie je schválené výrobcom,
- opravy výrobku, ktoré neboli vykonané v schválenom servisnom stredisku alebo schválenými kompetentnými osobami.

Bezpečnosť

Bezpečnostné definície

Výstrahy, upozornenia a poznámky slúžia na zdôraznenie mimoriadne dôležitých častí návodu.



VÝSTRAHA: Používa sa, ak pre obsluhu alebo osoby v okolí existuje nebezpečenstvo poranenia alebo smrti v prípade nedodržania pokynov v návode.



VAROVANIE: Používa sa, ak hrozí nebezpečenstvo poškodenia produktu, iných materiálov alebo okolitej oblasti v prípade nedodržania pokynov v návode.

Poznámka: Používa sa na poskytnutie informácií nad rámec nevyhnutných informácií v danej situácii.

Všeobecné bezpečnostné pokyny



VÝSTRAHA: Skôr než budete výrobok používať, prečítajte si nasledujúce výstrahy.

- Tento výrobok je nebezpečný, ak sa nepoužíva správne alebo ak nie ste pri jeho používaní opatrní. V prípade nedodržania bezpečnostných pokynov hrozí poranenie alebo usmrtenie.
- Tento výrobok vytvára počas prevádzky elektromagnetické pole. Toto pole môže za určitých okolností spôsobovať rušenie aktívnych alebo pasívnych implantovaných lekárskeho prístrojov. Na zníženie rizika vážneho alebo smrteľného zranenia odporúčame, aby sa osoby s implantovanými lekárskeho prístrojmi poradili so svojím lekárom a výrobcom pomôcky ešte pred použitím tohto výrobku.
- Vždy zachovávajte opatrnosť a riadte sa zdravým úsudkom. Ak si v určitých situáciách nie ste istí, ako máte výrobok používať, výrobok nepoužívajte a pred

pokračovaním v práci sa poraďte s predajcom spoločnosti Husqvarna.

- Myslite na to, že operátor bude zodpovedný za nehody zahŕňajúce iné osoby alebo ich majetok.
- Výrobok udržiavajte čistý. Uistite sa, že sú symboly a emblémy čitateľné.
- Nedovoľte, aby výrobok používali iné osoby, pokiaľ sa neustíte, že si prečítali tento návod na obsluhu a porozumeli jeho obsahu.
- Nedovoľte, aby výrobok používali deti.
- Deti držte v bezpečnej vzdialenosti od pracovnej oblasti. Vyžaduje sa neustála prítomnosť zodpovednej dospeléj osoby.
- Nedovoľte, aby výrobok používali osoby, ktoré nepoznajú potrebné pokyny.
- Osoby so zníženými fyzickými alebo duševnými schopnosťami musia byť počas používania výrobku vždy pod dozorom. Vyžaduje sa neustála prítomnosť zodpovednej dospeléj osoby.
- Výrobok nepoužívajte, ak ste unavení, chorí alebo ste pod vplyvom alkoholu, drog alebo liekov. Vyššie uvedené prípady majú negatívny vplyv na váš zrak, ostražitosť, koordináciu a úsudok.
- Výrobok nepoužívajte, ak je poškodený.
- Výrobok žiadnym spôsobom neupravujte ani nepoužívajte, ak existuje možnosť, že bol upravený inými osobami.
- Nemeňte nastavenie regulácie otáčok motora.

Bezpečnosť na pracovisku



VÝSTRAHA: Skôr než budete používať produkt, prečítajte si nasledujúce výstrahy.

- Pred použitím výrobku odstráňte z pracovnej oblasti všetky predmety, ako sú napr. konáre, vetvy a kamene.
- Predmety, ktoré narazia na rezné zariadenie, môžu byť vymrštené a spôsobiť poranenie osôb alebo poškodenie iných predmetov. Dávajte pozor, aby

okolo stojace osoby a zvieratá nevstupovali do pracovnej oblasti.

- Výrobok nikdy nepoužívajte počas nepriaznivých poveternostných podmienok, napríklad v hmle, v daždi, v silnom vetre, pri silnom mraze, pri vysokom riziku blyskania. Používanie výrobku počas nepriaznivých poveternostných podmienok alebo na vlhkých alebo mokrych miestach je namáhavé. Nepriaznivé poveternostné podmienky môžu mať za následok vznik nebezpečných podmienok, akými sú napr. klzké povrchy.
- Dávajte pozor na osoby, predmety a situácie, ktoré môžu zamedziť bezpečnej prevádzke výrobku.
- Dávajte pozor na prekážky, ako sú napr. korene, kamene, halúzky, jamy a priekopy. Vysoká tráva môže zakrývať prekážky.
- Kosenie trávy na svahoch môže byť nebezpečné. Výrobok nepoužívajte na svahoch so sklonom viac ako 15 °.
- S výrobkom sa pohybujte po vrstevnici. Nepohybujte sa smerom do svahu a zo svahu.
- V blízkosti skrytých rohov a objektov, ktoré vám bránia vo výhľade, sa pohybujte opatrne.

Bezpečnosť pri práci



VÝSTRAHA: Skôr než budete výrobok používať, prečítajte si nasledujúce výstrahy.

- Tento výrobok používajte len na kosenie trávy. Výrobok sa nesmie používať na iné úlohy.
- Používajte osobné ochranné pomôcky. Pozrite si časť *Osobné ochranné prostriedky na strane 284*.
- Naučte sa, ako v prípade núdze rýchlo zastaviť motor.
- Nikdy neštartujte motor v uzavretých priestoroch alebo v blízkosti horľavého materiálu. Výfukové plyny z motora sú horúce a môžu obsahovať iskry, ktoré môžu vyvolať požiar.
- Výrobok nepoužívajte, pokiaľ nie sú nôž a všetky kryty správne upevnené. Nesprávne pripojený nôž sa môže uvoľniť a spôsobiť poranenia osôb.
- Uistite sa, že nôž nenasadí na predmety, ako sú napr. kamene alebo korene. Môže dôjsť k poškodeniu noža a ohnutiú hriadeľa motora. Ohnutá náprava spôsobuje silné vibrácie a vzniká veľké nebezpečenstvo uvoľnenia noža.
- Ak nôž narazí na predmet alebo ak cítite vibrácie, výrobok okamžite vypnite. Odpojte kábel zapalovania od zapalovacej sviečky. Skontrolujte, či nie je výrobok poškodený. Opravte akékoľvek poškodenie alebo kontaktujte servisného zástupcu.
- Keď je naštartovaný motor, rúkovať motorovej brzdy nesmie byť nikdy trvalo pripevnená k rúkovaťi.
- Položte výrobok na stabilný, rovný povrch a naštartujte ho. Uistite sa, že sa nôž nedostane do kontaktu so zemou alebo inými predmetmi.
- Pri obsluhu vždy stojte za výrobkom.

- Pri obsluhu výrobku dávajte pozor, aby všetky kolesá dosadali na zem a rúkovať držte oboma rukami. Udržujte ruky a chodidlá mimo dosahu rotujúcich nožov.
- Keď je motor spustený, výrobok nenakláňajte.
- Pri ťahaní výrobku smerom dozadu buďte opatrní.
- Výrobok nikdy nedvíhajte, keď je spustený motor. Ak musíte výrobok zdvihnúť, najprv vypnite motor a odpojte kábel zapalovania od zapalovacej sviečky.
- Počas obsluhy výrobku necúvajte.
- Pri prechádzaní cez oblasti bez trávy, ako sú napr. štrkové, kamenné a asfaltové chodníky, vypnite motor.
- Keď je zapnutý motor, s výrobkom neutekajte. Počas obsluhy výrobku vždy kráčajte.
- Pred zmenou výšky rezu zastavte motor. Nikdy nevykonávajte nastavenia so spusteným motorom.
- Nikdy nenechávajte výrobok bez dozoru, keď je zapnutý motor. Zastavte motor a uistite sa, že sa rezné zariadenie neotáča.

Bezpečnostné pokyny pre prevádzku

Osobné ochranné prostriedky



VÝSTRAHA: Skôr než budete výrobok používať, prečítajte si nasledujúce výstrahy.

- Osobné ochranné prostriedky nedokážu úplne vylúčiť riziko, ale môžu znížiť vážnosť zranenia v prípade nehody. Váš predajca vám pomôže pri výbere správnych prostriedkov.
- Ak hladina hluku je vyššia ako 85 dB, používajte chrániče sluchu.
- Noste odolné protišmykové topánky. Výrobok neobsluhujte v otvorených topánkach ani s bosými nohami.
- Noste dlhé odolné nohavice.
- Keď je to potrebné, používajte ochranné rukavice, ako napríklad pri montáži, kontrole alebo čistení rezného zariadenia.

Bezpečnostné zariadenia na výrobku



VÝSTRAHA: Skôr než budete produkt používať, prečítajte si nasledujúce výstrahy.

- Nepoužívajte produkt, ktorý má chybné bezpečnostné zariadenia.
- Pravidelne kontrolujte bezpečnostné zariadenia. Ak sú bezpečnostné zariadenia chybné, obráťte sa na servisného zástupcu spoločnosti Husqvarna.

Kontrola krytu rezacej časti

Kryt rezacej časti tlmi vibrácie vo výrobku a znižuje riziko poranenia kotúčom.

- Skontrolujte kryt rezacej časti, aby ste sa uistili, že na ňom nie sú žiadne známky poškodenia, ako sú napr. praskliny.

Kontrola chrániča remeňa

Chránič remeňa znižuje riziko poranenia a zabezpečuje, aby sa poškodený hnací remeň nevymrštil von.

- Uistite sa, že chránič remeňa nie je poškodený a že je správne pripojený. (Obr. 13)

Kontrola chrániča remeňa

Chránič remeňa znižuje riziko poranenia a zabezpečuje, aby sa poškodený hnací remeň nevymrštil von.

- Uistite sa, že chránič remeňa nie je poškodený a že je správne pripojený. (Obr. 14)

Rukoväť motorovej brzdy

Rukoväť motorovej brzdy slúži na zastavenie motora. Keď rukoväť motorovej brzdy uvoľníte, motor sa zastaví.

Ak chcete motorovú brzdú skontrolovať, naštartujte motor a potom uvoľníte rukoväť motorovej brzdy. Ak sa motor v priebehu 3 sekúnd nezastaví, požiadajte servisného zástupcu spoločnosti Husqvarna o nastavenie motorovej brzdy.

(Obr. 15)

Kontrola systému na tlmenie vibrácií



VÝSTRAHA: Nadmerné vystavenie vibráciám môže spôsobiť narušenie krvného obehu alebo poškodenie nervov u osôb, ktoré majú zhoršený krvný obeh. Ak máte príznaky nadmerného vystavenia vibráciám, obráťte sa na svojho lekára. Príkladmi týchto symptómov sú: znecitlivenie, stratu citu, brnenie, pichanie, bolesť, strata sily, zmeny farby alebo stavu pokožky. Tieto symptómy sa bežne objavujú na prstoch, rukách a zápästiach.

Systém na tlmenie vibrácií znižuje vibrácie v rukoväti počas prevádzky.

Oceľová rúrka v rukoväti a kryt rezacej časti znižujú vibrácie. KLIPPO LB 548S e má tiež 4 jednotky na tlmenie vibrácií, ktoré sú pripojené k rukoväti.

- Skontrolujte rukoväť a jednotky na tlmenie vibrácií, aby ste sa uistili, že nedošlo k žiadnym škodám. (Obr. 16)

Podpera čepele

Podpera čepele znižuje riziko ohybu hriadeľa motora. Ak sa čepeľ dotkne predmetu, čepeľ sa posunie proti podpere čepele. Pohyb spôsobuje opotrebovanie povrchu podpery čepele. Opotrebenie ukazuje, že ochrana hriadeľa motora funguje správne.

Tlmič výfuku

Tlmič výfuku slúži na udržiavanie minimálnej hladiny hluku a na smerovanie výfukových plynov smerom od operátora.

Nepoužívajte produkt, ak tlmič výfuku chýba alebo je poškodený. Poškodený tlmič výfuku zvyšuje hladinu hluku a riziko požiaru.



VÝSTRAHA: Tlmič výfuku je veľmi horúci počas prevádzky, po nej a tiež počas behu motora na voľnobeh. Zachovávajte opatrnosť v okolí horľavých materiálov alebo výparov, aby ste nespôsobili požiar.

Kontrola tlmiča výfuku

- Pravidelne kontrolujte, či je tlmič výfuku správne pripavený a či nie je poškodený.

Bezpečnosť paliva



VÝSTRAHA: Skôr než budete používať produkt, prečítajte si nasledujúce výstrahy.

- Výrobok neštartujte, ak sú na ňom zvyšky paliva alebo motorového oleja. Odstráňte neželané palivo/olej a nechajte výrobok vyschnúť.
- Ak vylejete palivo na odev, okamžite sa prezlečte.
- Dávajte pozor, aby ste si palivo nevyliali na telo, pretože môže spôsobiť poranenie. Ak si palivo vylejete na telo, umyte sa pomocou mydla vody.
- Výrobok neštartujte, ak sa na motore vyskytuje netesnosť. Pravidelne kontrolujte výskyt netesností na motore.
- Pri manipulácii s palivom zachovajte opatrnosť. Palivo je horľavá látka a výpary z paliva sú výbušné a môžu spôsobiť poranenia alebo smrť.
- Vyhnite sa vdychovaniu výparov paliva, pretože môžu spôsobiť poranenie. Zabezpečte dostatočné prúdenie vzduchu.
- V blízkosti paliva alebo motora nefajčíte.
- Neukladajte do blízkosti paliva alebo motora teplé predmety.
- Nedopĺňajte palivo, keď je zapnutý motor.
- Pred dopĺňaním paliva sa uistite, že motor vychladol.
- Pred dopĺňaním paliva pomaly otvorte veko palivovej nádrže a opatrne uvoľnite tlak.
- Palivo do motora nedopĺňajte v interiéri. Nedostatočné prúdenie vzduchu môže spôsobiť poranenie alebo smrť v dôsledku udusenía alebo otravy oxidom uhoľnatým.
- Veko palivovej nádrže pevne utiahnite. Ak nie je veko palivovej nádrže pevne utiahnuté, existuje riziko vzniku požiaru.
- Pred naštartovaním premiestnite výrobok minimálne 3 m od miesta, kde ste dopĺňali palivo do nádrže.

- Palivovú nádrž nedopĺňajte úplne doplna. Tepló spôsobuje expanziu palíva. Uchovajte miesto navrchu palivovej nádrže.

Bezpečnostné pokyny pre údržbu



VÝSTRAHA: Skôr než budete používať produkt, prečítajte si nasledujúce výstrahy.

- Výfukové plyny z motora obsahujú oxid uhoľnatý, plyn bez zápachu, ktorý je jedovatý a veľmi nebezpečný. Motor neštartujte v interiéri ani v uzavretých priestoroch.
- Pred vykonávaním údržby výrobku zastavte motor a odpojte kábel zapalovania od zapalovacej sviečky.
- Pri vykonávaní údržby rezného zariadenia používajte ochranné rukavice. Čepel je veľmi ostrá a ľahko môže dôjsť k porezaniu.

- Príslušenstvo a úprava výrobku, ktoré neschválil výrobca, môžu spôsobiť vážne poranenia alebo smrť. Výrobok neupravujte. Vždy používajte príslušenstvo schválené výrobcom.
- Nepravidelná a nesprávne vykonaná údržba zvyšuje nebezpečenstvo poranenia a poškodenia výrobku.
- Vykonávajte len údržbu uvedenú v tomto návode na používanie. Všetky ostatné práce týkajúce sa údržby musí vykonávať schválený servisný zástupca spoločnosti Husqvarna.
- Výrobok nechajte pravidelne kontrolovať kvôli údržbe u schváleného servisného zástupcu spoločnosti Husqvarna.
- Vymeňte všetky poškodené, opotrebované alebo zlomené diely.

Montáž

Úvod



VÝSTRAHA: Pred zostavením výrobku si musíte prečítať kapitolu o bezpečnosti a porozumieť informáciám, ktoré sa v nej uvádzajú.



VÝSTRAHA: Pred zostavením výrobku od zapalovacej sviečky odpojte kábel zapalovacej sviečky.

3. Prípevnite podložku a maticu držadla. (Obr. 17)
4. Keď pracujete s výrobkom v blízkosti steny, otočte držadlo na stranu, aby ste mali dobrú pracovnú polohu. (Obr. 18)
5. Otočte nastavovacie kolieska na podvozku a nastavte držadlo zvisle. (Obr. 19)

Montáž prípojky na mulčovanie KLIPPO LB 448S, KLIPPO LB 548S e

1. Nakloňte výrobok dozadu so zapalovacou sviečkou nahor.
2. Vložte kolíky prípojky na mulčovanie do otvorov z vnútornej strany krytu rezacej časti. (Obr. 20)
3. Prípevnite skrutky zástrčky mulčovania z vonkajšej strany krytu rezacej časti. (Obr. 21)

Osadte a nastavte držadlo

1. Vyberte maticu držadla a podložku z dosky na hornom držadle.
2. Horné držadlo položte na hornú časť spodného držadla.



VAROVANIE: Uistite sa, že drôty nie sú zachytené alebo poškodené.

Prevádzka

Úvod



VÝSTRAHA: Pred používaním výrobku si musíte prečítať kapitolu o bezpečnosti a porozumieť informáciám, ktoré sa v nej uvádzajú.

Husqvarna Connect

Husqvarna Connect je bezplatná aplikácia pre mobilné zariadenia. Aplikácia Husqvarna Connect prináša rozšírené funkcie pre výrobok Husqvarna:

- Rozšírené informácie o výrobku.
- Informácie a podpora vzťahujúce sa na súčasti výrobku a servis.

Ak chcete začať, použite Husqvarna Connect

1. Stiahnite si aplikáciu Husqvarna Connect do mobilného zariadenia.
2. Zaregistrujte sa v aplikácii Husqvarna Connect.
3. Ak chcete pripojiť a zaregistrovať produkt, postupujte podľa pokynov v aplikácii Husqvarna Connect.

Pred obsluhou zariadenia

1. Pozorne si prečítajte tento návod na obsluhu a uistite sa, že ste porozumeli pokynom.
2. Skontrolujte rezné zariadenie a uistite sa, že je správne upevnené a nastavené. Pozrite si kapitolu *Kontrola rezného zariadenia na strane 289*.
3. Nalejte palivo do palivovej nádrže. Pozrite si kapitolu *Doplňanie paliva na strane 287*.
4. Naplňte nádrž a skontrolujte hladinu oleja. Pozrite si kapitolu *Kontrola hladiny oleja na strane 290*.

Doplňanie paliva

Ak je to možné, používajte alkylátový benzín s nízkymi emisiami. Ak nemáte k dispozícii alkylátový benzín s nízkymi emisiami, použite vysokokvalitný bezolovnatý benzín alebo olovnatý benzín s oktanovým číslom minimálne 90.



VAROVANIE: Nepoužívajte benzín s oktanovým číslom menším než 90 RON (87 AKI). Mohlo by to viesť k poškodeniu výrobku.

1. Pomalým otvorením veka palivovej nádrže uvoľnite tlak.
2. S použitím kanistra opatrne doplňte palivo. Ak sa palivo vyleje, pomocou handričky ho utrite a zvyšné palivo nechajte vyschnúť.
3. Vyčistite priestor okolo veka palivovej nádrže.
4. Veko palivovej nádrže pevne utiahnite. Ak nie je veko palivovej nádrže pevne utiahnuté, existuje riziko vzniku požiaru.
5. Pred spustením premiestnite výrobok minimálne 3 m od miesta, na ktorom ste dopĺňali palivo do nádrže.

Nastavenie výšky rezu

Výšku rezu možno nastaviť v šiestich rôznych úrovniach.

1. Ak chcete zvýšiť výšku rezu, posuňte páku výšky rezu smerom dopredu.
2. Ak chcete znížiť výšku rezu, posuňte páku výšky rezu smerom dozadu.



VAROVANIE: Nenastavujte výšku rezu príliš nízko. Ak nie je povrch trávniku rovinný, nože môžu narážať o zem.

Zapnutie výrobku

1. Uistite sa, že je kábel zapalovania pripojený k zapalovacej sviečke.
2. Otvorte palivový ventil. (Obr. 22)
3. Stojte za výrobkom.
4. Rukoväť motorovej brzdy držte oproti hornej rukováti. (Obr. 23)
5. Pevne uchopte rukoväť štartovacieho lanka pravou rukou.
6. Pomaly potiahnite štartovacie lanko, kým nepocítite istý odpor.
7. Silným potiahnutím naštartujte motor.



VÝSTRAHA: Štartovacie lanko si neovíjajte okolo ruky.



VAROVANIE: Štartovacie lanko úplne nerozťahujte. Keď je štartovacie lanko rozťiahnuté, neuvolňujte drždalo štartovacieho lanka.

Používanie pohonu na kolesách

- Zatlačte páku pohonu nadol. (Obr. 24)
- Pred potiahnutím výrobku smerom dozadu deaktivujte pohon a potlačte výrobok zhruba 10cm.
- Uvoľnite rukoväť motorovej brzdy na malú vzdialenosť, aby ste deaktivovali pohon, napr. keď sa pohybuje v blízkosti prekážok.

Vypnutie výrobku

- Ak chcete zastaviť len pohon, uvoľnite rukoväť motorovej brzdy na malú vzdialenosť.
- Ak chcete motor zastaviť, úplne uvoľnite rukoväť motorovej brzdy.
- Zatvorte palivový ventil. (Obr. 25)

Zabezpečenie optimálnych výsledkov kosenia

- Vždy používajte ostrý nôž. Tupý nôž poskytuje nepravidelné výsledky kosenia a pokosený povrch trávniku zožltne. Ostrý nôž spotrebuje menej energie ako tupý nôž.
- Nekoste viac ako 1/3 dĺžky trávy. Najprv koste s nastavenou vysokou výškou rezu. Skontrolujte výsledok a znížte výšku rezu na príslušnú úroveň. Ak je tráva veľmi vysoká, pohybujte sa pomaly a ak je to potrebné, pokoste ju dvakrát.
- Zakaždým koste iným smerom, aby ste predišli vzniku pruhov na trávniku.

Údržba

Úvod



VÝSTRAHA: Pred vykonávaním akejkoľvek údržby si musíte prečítať kapitolu o bezpečnosti a porozumieť jej.

Údržba a opravné práce na výrobku si vyžadujú špeciálne školenie. Zaručujeme dostupnosť profesionálnych opravných prác a údržby. Ak váš predajca nie je servisný zástupca, kontaktujte predajcu,

ktorý vám poskytne informácie o najbližšom servisnom zástupcovi.

Plán údržby

Intervaly údržby sú vypočítané na základe každodenného používania výrobku. Ak sa výrobok nepoužíva každý deň, tieto intervaly sa menia.

V prípade údržby označenej symbolom * si pozrite pokyny v kapitole *Bezpečnostné zariadenia na výrobku na strane 284*.

Údržba	Denne	Týždenne	Mesačne
Vykonajte všeobecnú kontrolu	X		
Skontrolujte hladinu oleja	X		
Vyčistite výrobok	X		
Vyčistite vzduchový filter	X		
Skontrolujte rezné zariadenie	X		
Skontrolujte kryt rezacej časti*	X		
Skontrolujte rukoväť motorovej brzdy*	X		
Skontrolujte tlmič výfuku*		X	
Skontrolujte zapaľovaciu sviečku		X	
Skontrolujte, či hnací remeň nie je poškodený			X
Vyčistite skriňu prevodovky			X
Vymeňte olej (prvýkrát po 5 hodinách používania, potom po každých 25 hodinách používania a ročne)			X
Vymeňte vzduchový filter			X
Skontrolujte palivový systém			X
Skontrolujte a nastavte pohon (lanko spojky)			X

Vykonanie všeobecnej kontroly

- Uistite sa, že sú dotiahnuté všetky matice aj skrutky na výrobku.

Čistenie externých povrchov výrobku

- Pomocou kefy odstráňte listy, trávu a nečistoty.
- Uistite sa, že nie je zablokované nasávanie vzduchu vo vrchnej časti motora.
- Na čistenie výrobku nepoužívajte vysokotlakový čistič.
- Ak na čistenie výrobku použijete vodu, nelejte vodu priamo na motor.

Čistenie vnútorného povrchu krytu rezacej časti

1. Položte výrobok na stranu tak, aby tlmič výfuku smeroval nadol.



VAROVANIE: Ak výrobok položíte tak, že vzduchový filter bude smerovať nadol, môže dôjsť k poškodeniu motora.

2. Pomocou hadice vystriekajte vnútorné povrchy krytu rezacej časti.

Skontrolujte hnací remeň a vyčistite skriňu prevodovky

1. Odskrutkujte 4 skrutky na kryte remeňa a odstráňte chránič remeňa. (Obr. 26)
2. Skontrolujte, či hnací remeň a remenica nie sú poškodené.
3. Pomocou kefy odstráňte z krytu prevodovky listy, trávu a nečistoty. (Obr. 27)

Vymeňte a nastavte hnací remeň

1. Odskrutkujte 4 skrutky na kryte remeňa a odstráňte chránič remeňa. (Obr. 26)
2. Ploché skrutkovač vložte medzi kryt kolesa a kolieskom na pravom prednom kolese výrobku.
3. Dôkladne otočte skrutkovačom, aby ste odstránili kryt kolesa.
4. Odskrutkujte skrutku kolesa a vyberte koleso. (Obr. 28)
5. Odpojte hnací remeň od remenice.
6. Uistite sa, že remenice sa pohybujú ľahko na náprave.
7. Ak je to potrebné, naneste olej medzi a za remenicou a namažte nápravu.
8. Nasaďte nový hnací remeň a správne ho pripevnite na guľôčkové ložisko pred nastavením hnacieho remeňa. (Obr. 29)
9. Posuňte guľôčkové ložisko nahor alebo nadol a nastavte hnací remeň. (Obr. 30)

Poznámka: Po použití sa nový hnací remeň stáva dlhším. Po niekoľkých hodinách prevádzky opäť nastavte hnací remeň.

10. Pripevnite chránič remeňa.
11. Vyskúšajte výrobok, aby ste sa uistili, že hnací remeň je správne nasadený a nastavený.

Vymeňte a nastavte stredový remeň

1. Odstráňte nôž.

Poznámka: Ak nastavujete len stredový remeň, tento krok nie je potrebný.

2. Uvoľnite nastavovacie skrutky niekoľkými otáčkami, ale neodstraňujte ich. (Obr. 31)
3. Vymeňte stredový remeň a mierne utiahnite nastavovacie skrutky.

Poznámka: Ak nastavujete len stredový remeň, tento krok nie je potrebný.

4. Posuňte prevodový stupeň dopredu alebo dozadu a nastavte stredový remeň. (Obr. 32)

5. Na kontrolu napnutia stredového remeňa použite hák meradla. Remeň je správne napnutý, keď je v strede vŕľa 6 - 10 mm. To sa rovná ťahu 3 kg. (Obr. 33)
6. Utiahnite nastavovacie skrutky úplne na uťahovací moment 3 Nm.
7. Vyskúšajte výrobok, aby ste sa uistili, že hnací remeň je správne nasadený a nastavený.

Kontrola rezného zariadenia



VÝSTRAHA: Aby ste zabránili náhodnému naštartovaniu, odpojte kábel zapalovania od zapalovacej sviečky.



VÝSTRAHA: Pri vykonávaní údržby rezného zariadenia používajte ochranné rukavice. Čepel je veľmi ostrá a ľahko môže dôjsť k porezaniu.

1. Skontrolujte, či sa na reznom zariadení nenachádzajú známky poškodenia alebo praskliny. Poškodené rezné zariadenie vždy vymeňte.
2. Skontrolujte, či nie je poškodený alebo tupý nôž.

Poznámka: Po nabrúsení je potrebné nôž vyrovnat'. Nôž nechajte nabrúsiť, vymeniť a vyrovnat' v servisnom stredisku. Ak narazíte na predmet, ktorý spôsobí zastavenie výrobku, vymeňte poškodený nôž. Nechajte, aby servisné stredisko rozhodlo, či je možné nôž nabrúsiť alebo sa musí vymeniť.

Výmena noža

1. Pomocou dreveného bloku zaistíte nôž. (Obr. 34)
2. Demontujte skrutku noža, pružnú podložku a čepeľ. (Obr. 35)
3. Skontrolujte podperu a skrutku noža, či nie sú poškodené.
 - a) Ak vymieňate čepeľ alebo podperu čepele, vymeňte aj skrutku čepele, pružnú a treciu podložku.
4. Skontrolujte hriadeľ motora a uistite sa, že nie je ohnutý.
5. Pri upevňovaní novej čepele sa uistite, že ohnuté konce smerujú ku krytu rezacej časti. (Obr. 36)
6. Umiestnite treciu podložku a čepeľ na podpera čepele. (Obr. 37)
7. Uistite sa, že je čepeľ zarovno so stredom hriadeľa motora. (Obr. 38)
8. Pomocou dreveného bloku zaistíte nôž. (Obr. 39)
9. Pripevnite pružnú podložku a utiahnite skrutku na uťahovací moment 80 Nm. (Obr. 40)
10. Rukou potočte nožom a uistite sa, že sa voľne otáča.



VÝSTRAHA: Používajte ochranné rukavice. Nôž je veľmi ostrý a ľahko môže dôjsť k porezaniu.

11. Zapnite výrobok a otestujte nôž. Ak nôž nie je správne upevnený, výrobok vibruje alebo poskytuje neuspokojivé výsledky kosenia.

Kontrola hladiny oleja



VAROVANIE: Príliš nízka hladina oleja môže viesť k poškodeniu motora. Pred zapnutím výrobku skontrolujte hladinu oleja.

1. Položte výrobok na rovný povrch.
2. Zatvorte palivový ventil.
3. Odstráňte uzáver nádrže na olej s olejovou mierkou.
4. Očistíte olej z olejovej mierky.
5. Vložte mierku do olejovej nádrže, ale nedotahujte uzáver olejovej nádrže.
6. Vytiahnite olejovú mierku.
7. Skontrolujte hladinu oleja na olejovej mierke.
8. V prípade príliš nízkej hladiny doplňte motorový olej a opätovne skontrolujte hladinu oleja. Hladina oleja je správna, keď mierka ukazuje na hornej ryske.

Výmena motorového oleja



VÝSTRAHA: Bezprostredne po vypnutí motora je motorový olej veľmi horúci. Nechajte motor vychladnúť pred vypustením oleja. Ak sa motorový olej dostane na pokožku, očistite ho mydlom a vodou.

1. Výrobok používajte, kým nebude palivová nádrž prázdna.
2. Vytiahnite kábel zapalovania zo zapalovacej sviečky.
3. Odstráňte veko palivovej nádrže.
4. Položte pod výrobok nádobu na zachytenie motorového oleja.
5. Naklonením výrobku vylejte motorový olej z nádrže na olej.
6. Nalejte do nádrže nový motorový olej, pričom sa riaďte odporúčaniami v kapitole *Technické údaje na strane 291*.
7. Skontrolujte hladinu oleja. Pozrite si časť *Kontrola hladiny oleja na strane 290*.

Čistenie vzduchového filtra



VAROVANIE: Nepoužívajte motor bez pripojeného vzduchového filtra alebo ak je vzduchový filter znečistený.



VAROVANIE: Ak vzduchový filter nie je možné úplne vyčistiť alebo je poškodený, vymeňte ho. Chybný vzduchový filter spôsobuje poškodenie motora.

1. Zatlačte poistné výstupky (A), odstráňte kryt vzduchového filtra (B) a odstráňte vzduchový filter (C). (Obr. 41)
2. Oklepte vzduchový filter o tvrdý povrch alebo vyfúkajte stlačený vzduch cez vzduchový filter z jeho čistej strany.



VAROVANIE: Na odstránenie nečistôt nepoužívajte kefu, pretože nečistoty sa tak zatlačia do vzduchového filtra.

3. Držiak vzduchového filtra (D) a kryt vzduchového filtra očistite vlhkou handričkou.



VAROVANIE: Uistite sa, že do vzduchového potrubia (E) nevnikla nečistota.

4. Nainštalujte vzduchový filter. Uistite sa, že filter pevne dosadá proti držiaku vzduchového filtra.
5. Najprv nasadte kryt vzduchového filtra so spodnými výstupkami.

Kontrola zapalovacej sviečky



VAROVANIE: Vždy používajte odporúčaný typ zapalovacej sviečky. Nesprávny typ zapalovacej sviečky môže spôsobiť poškodenie výrobku.

- Ak má motor slabý výkon, ťažko sa štartuje alebo pri voľnobežných otáčkach nefunguje správne, skontrolujte zapalovaciu sviečku.
- Ak chcete znížiť riziko prítomnosti neželaného materiálu na elektródach zapalovacej sviečky, postupujte takto:
 - a) Uistite sa, že voľnobežné otáčky sú správne nastavené.
 - b) Uistite sa, že používate správnu zmes paliva.
 - c) Uistite sa, že je čistý vzduchový filter.
- Ak je zapalovacia sviečka znečistená, očistite ju a skontrolujte, či je medzera medzi elektródami správna. Pozrite si časť *Technické údaje na strane 291*. (Obr. 42)
- V prípade potreby vymeňte zapalovaciu sviečku.

Kontrola palivového systému

- Skontrolujte veko palivovej nádrže a tesnenie veka palivovej nádrže a uistite sa, že nie sú poškodené.
- Skontrolujte palivovú hadicu a uistite sa, že z nej nevyteká palivo. Ak je palivová hadica poškodená, nechajte servisného zástupcu, aby ju vymenil.

Nastavenie lanka spojky

Ak pohon pracuje príliš pomaly, je potrebné nastaviť lanko spojky.

- Otočte nastavovaciu skrutku. (Obr. 43)

Spojovací vodič je správne nastavený, keď sa držiak spojovacieho vodiča nachádza v rovine s maticou.

(Obr. 44)

Preprava, skladovanie a likvidácia

Preprava a uskladnenie

- Pri uskladňovaní a preprave výrobku a paliva sa uistite, že nedochádza k úniku kvapaliny a výparov. Iskry alebo otvorené plamene, napr. z elektrických zariadení alebo bojlerov, môžu vyvolať požiar.
- Na uskladnenie a prepravu paliva vždy používajte schválené kanistre.
- Pred uskladnením výrobku na dlhšiu dobu vyprázdňte palivovú nádrž. Palivo zlikvidujte v príslušnom zariadení na likvidáciu.
- Počas prepravy výrobok bezpečne upevnite, aby ste zabránili poškodeniu alebo nehoďám.
- Výrobok skladujte v uzamknutom priestore mimo dosahu detí a neoprávnených osôb.

- Výrobok skladujte na suchom mieste, ktoré je chránené pred mrazom.

Likvidácia

- Dodržiavajte miestne požiadavky v oblasti recyklácie a platné predpisy.
- Všetky chemikálie, ako napr. motorový olej alebo palivo, zlikvidujte v servisnom stredisku alebo v príslušnom zariadení na likvidáciu.
- Keď už výrobok nepoužívate, pošlite ho predajcovi spoločnosti Husqvarna alebo ho zlikvidujte v recyklačnom zariadení.

Technické údaje

Technické údaje

	KLIPPO LB 448S	KLIPPO LB 453S	KLIPPO LB 548S e
Motor			
Značka	Honda	Honda	Honda
Objem, cm ³	145	166	166
Rýchlosť, ot./min.	2900	2900	2900
Menovitý výkon motora, kW ¹¹¹	2,7	3,3	3,3
Systém zapalovania			
Zapaľovacia sviečka	NGK BPR5ES	NGK BPR5ES	NGK BPR5ES
Vzdialenosť elektród, mm	0,7–0,8	0,7–0,8	0,7–0,8
Systém paliva a mazania			
Objem palivovej nádrže, litre	0,9	0,9	0,9
Objem olejovej nádrže, litre	0,55	0,5	0,55
Motorový olej ¹¹²	SAE 10W-30	SAE 10W-30	SAE 10W-30

¹¹¹ Vyznačený výkon motora je priemerný čistý výkon (pri uvedených ot./min) typického sériového motora pre model motora meraný podľa normy SAE J1349/ISO1585. Sériovo vyrábané motory sa môžu od tejto hodnoty odlišovať. Skutočný výkon motora nainštalovaného na koncovom produkte závisí od prevádzkovej rýchlosti, prevádzkových podmienok a iných hodnôt.

¹¹² Používajte motorový olej kvality SG–SH. Pozrite si tabuľku s viskozitou v príručke od výrobcu motora a vyberte najvhodnejšiu viskozitu na základe očakávanej vonkajšej teploty.

	KLIPPO LB 448S	KLIPPO LB 453S	KLIPPO LB 548S e
Hmotnosť			
S prázdnyimi nádržami, kg	30,5	33	32,5
Emisie hluku ¹¹³			
Nameraná úroveň hlučnosti dB(A)	90	91	90
Zaručená úroveň hlučnosti L _{WA} dB(A)	91	94	91
Úrovne hlučnosti ¹¹⁴			
Hladina akustického tlaku pri uchu obsluhy, dB (A)	77	78	78
Stupne vibrácií, a_{hveq} ¹¹⁵			
Rukoväť, m/s ²	4,5	5,3	4,8
Rezné zariadenie			
Výška rezu, mm	30–60	30–60	30–60
Šírka rezu, mm	480	530	480
Nôž	Mulčovanie – 48 cm 5028813-10	Mulčovanie – 53 cm 5028814-10	Mulčovanie – 48 cm 5028813-10
Chod			
Rýchlosť, km/h	4,5	4,5	4,5

¹¹³ Hladina hluku meraná ako akustický tlak (L_{WA}) v súlade s európskou smernicou 2000/14/ES.

¹¹⁴ Hladina akustického tlaku podľa smernice ISO 5395. Uvádzané údaje pre hladinu akustického tlaku majú typický štatistický rozptyl (štandardnú odchýlku) 1,2 dB (A).

¹¹⁵ Úroveň vibrácií podľa smernice ISO 5395. Uvádzané údaje pre ekvivalentný stupeň vibrácií majú typický štatistický rozptyl (štandardnú odchýlku) 0,2 m/s².

ES vyhlásenie o zhode

ES vyhlásenie o zhode

Husqvarna AB, SE-561 82 Huskvarna, Švédsko, tel.: +46- 36- 146500, vyhlasuje, že **kosačky na trávnu Husqvarna KLIPPO LB 448S, KLIPPO LB 453S, KLIPPO LB 548S e** s výrobnými číslami 2020xxxxxxx a novšími spĺňajú požiadavky SMERNICE RADY:

- zo 17. mája 2006, „Smernica o strojoch“ **2006/42/EÚ**,
- z 26. februára 2014 „vzťahujúcej sa na elektromagnetickú kompatibilitu“, **2014/30/EÚ**,
- z 8. mája 2000 „o emisiách hluku v prostredí“ **2000/14/EÚ**.
- z 8. júna 2011 „o obmedzení používania určitých nebezpečných látok v elektrických a elektronických zariadeniach“ **2011/65/EÚ**

Informácie týkajúce sa emisií hluku nájdete v časti Technické údaje.

Boli uplatnené nasledujúce normy:

EN ISO 5395-1, EN ISO 5395-2, EN ISO 5395-2 Amd1, EN ISO 5395-2 Amd 2, EN 55012, EN 50581:2012

Ak nie je uvedené inak, vyššie uvedené normy sú najnovšie vydané verzie.

Notifikovaný orgán: **0404, RISE SMP Svensk Maskinprovning AB, Box 7035, SE-750 07 Uppsala** vydal správu týkajúcu sa zhody podľa dodatku VI SMERNICE RADY 2000/14/ES z 8. mája 2000 o emisii hluku v prostredí.

Huskvarna, 2020-09-16



Claes Losdal, manažér vývoja/záhradné produkty (autorizovaný zástupca spoločnosti Husqvarna AB a osoba zodpovedná za technickú dokumentáciu)

VSEBINA

Uvod.....	294	Vzdrževanje.....	299
Varnost.....	295	Transport skladiščenje in odstranitev.....	302
Montaža.....	298	Tehnični podatki.....	303
Delovanje.....	298	Izjava ES o skladnosti.....	305

Uvod

Opis izdelka

Izdelek je rotacijska kosilnica, ki z vložkom BioClip® travo nareže v gnojilo.

Pregled izdelka

(Sl. 1)

1. Ročica/ročaj
2. Ročica zavore motorja
3. Pogonska ročica
4. Ročica zaganjalne vrvice
5. Pokrovček posode za olje
6. Ščitnik jermena
7. Dušilnik
8. Svečka
9. Ščitnik jermena
10. Rezervoar za gorivo
11. Ročica za nastavitve kota ročaja
12. Sistem za dušenje treslajev
13. Nastavitev žice sklopke
14. Spodnji ročaj
15. Ročica za nastavitve višine košnje
16. Ventil goriva
17. Zračni filter
18. Pokrov rezila
19. Podložka vzmeti
20. Vijak rezila
21. Rezilo
22. Nosilec rezila
23. Vložek za mulčenje (KLIPPO LB 448S, KLIPPO LB 548S e)
24. Navodila za uporabo

Znaki na izdelku

- (Sl. 2) OPOZORILO: Površna in napačna uporaba lahko povzroči poškodbe in celo smrt uporabnika ali drugih.
- (Sl. 3) Pred uporabo izdelka natančno preberite navodila za uporabo in se prepričajte, da ste jih razumeli.
- (Sl. 4) Pazite na leteče in odbite predmete.

Namen uporabe

Izdelek uporabite za rezanje trave. Izdelka ne uporabljajte za druga opravila.

- (Sl. 5) Poskrbite, da so osebe in živali na varni razdalji od delovnega območja.
- (Sl. 6) Izklopite motor in odstranite vžigalni kabel, šele nato opravite popravila ali vzdrževalna dela.
- (Sl. 7) Opozorilo: Z rokami in nogami ne segajte v območje premikanja vrtljivih delov.
- (Sl. 8) Opozorilo: Roke in noge držite stran od vrtljivega rezila.
- (Sl. 9) Izdelek je v skladu z veljavnimi direktivami ES.
- (Sl. 10) Emisija hrupa v okolje je skladna z Evropsko direktivo 2000/14/ES in zakonodajo Novega južnega Walesa, in sicer z direktivo "Zaščita okolja pri delu (nadzor hrupa) iz 2017". Podatke o emisijah hrupa najdete na oznaki stroja in v poglavju Tehnični podatki.
- (Sl. 11) Bralna koda.

Opomba: Ostali znaki in oznake na izdelku se nanašajo na zahteve za certifikacijo, ki veljajo za druga komercialna območja.

Oznake na izdelku, samo za Avstralijo in Novo Zelandijo

- (Sl. 12) Roke in noge držite stran od vrtljivega rezila.

Stopnja emisij Euro V



OPOZORILO: Zaradi predelave motorja se razveljavi EU-homologacija tega izdelka.

Odgovornost proizvajalca

Kot je navedeno v zakonodaji, ki ureja odgovornost proizvajalca, ne prevzemamo nikakršne odgovornosti za

poškodbe, ki bi jih naši izdelki povzročili v naslednjih primerih:

- Izdelek ni pravilno popravljen.
- Izdelek je popravljen z deli, ki jih ni izdelal ali odobril proizvajalec.
- Na izdelku je nameščena dodatna oprema, ki je ni izdelal ali odobril proizvajalec.
- Izdelek ni bil popravljen v pooblaščenem servisnem centru ali pri pooblaščenem organu.

Varnost

Varnostne definicije

Opozorila, svarila in opombe opozarjajo na posebej pomembne dele priročnika.



OPOZORILO: Se uporabi, če obstaja nevarnost telesne poškodbe ali smrti uporabnika ali opazovalcev ob neupoštevanju navodil v tem priročniku.



POZOR: Se uporabi, če obstaja nevarnost poškodbe izdelka, drugih materialov ali okolice ob neupoštevanju navodil v tem priročniku.

Opomba: Se uporabi za podajanje podrobnejših informacij, potrebnih v dani situaciji.

Splošna varnostna navodila



OPOZORILO: Pred uporabo izdelka preberite navodila v povezavi z opozorili v nadaljevanju.

- Ta izdelek je lahko nevaren, če ga ne uporabljate pravilno ali če niste previdni. Če ne upoštevate varnostnih navodil, lahko nastopijo poškodbe ali celo smrt.
- Izdelek med delovanjem ustvarja elektromagnetno polje. To polje lahko v nekaterih pogojih moti delovanje aktivnih ali pasivnih medicinskih vsadkov. Uporabnikom medicinskih vsadkov svetujemo, da se pred uporabo tega izdelka posvetujejo z zdravnikom ali proizvajalcem medicinskega vsadka, s čimer zmanjšajo nevarnost resnih ali smrtnih poškodb.
- Vedno bodite previdni in ravnajte razumno. Če niste prepričani, kako upravljati ta izdelek v določeni situaciji, prenehajte z delom in se pogovorite s prodajalcem Husqvarna.
- Ne pozabite, da je uporabnik odgovoren za nesreče, ki jih povzročijo drugim ljudem ali njihovi lastnini.
- Stroj redno čistite. Pozorno preberite znake in nalepke.

- Ne dovolite osebi, ki ni prebrala in ne razume vsebine navodil za uporabo, da upravlja ta izdelek.
- Izdelka ne smejo uporabljati otroci.
- Otroci naj ostanejo zunaj delovnega območja. Vedno mora biti prisotna odgovorna odrasla oseba.
- Izdelka ne smejo uporabljati osebe, ki ne poznajo navodil za uporabo.
- Če izdelek uporabljajo osebe z zmanjšanimi fizičnimi ali intelektualnimi sposobnostmi, jih nenehno nadzorujte. Vedno mora biti prisotna odgovorna odrasla oseba.
- Izdelka ne uporabljajte, ko ste utrujeni, bolni, ali pod vplivom alkohola, drog ali zdravil. To negativno vpliva na vaš vid, pozornost, koordinacijo in presojo.
- Izdelka ne uporabljajte, če je poškodovan.
- Izdelka ne spreminjajte ali uporabljajte, če obstaja možnost, da so ga spremenile tretje osebe.
- Ne spreminjajte nastavitve števila vrtljajev motorja.

Varnost delovnega področja



OPOZORILO: Pred uporabo izdelka preberite navodila v povezavi z opozorili v nadaljevanju.

- Z delovnega območja pred začetkom dela odstranite predmete, kot so veje, vejice in kamni.
- Predmeti, ki pridejo v kontakt z rezalno opremo, lahko odletijo in poškodujejo osebe in ostale predmete. Opazovalci in živali naj bodo na varni razdalji od izdelka.
- Izdelka nikoli ne uporabljajte v slabem vremenu, kot je megla, dež, močan veter, izreden mrz ter nevarnost strele. Če izdelek uporabljate v slabem vremenu ali v vlažnih ali mokrih okolišjih, vas bo to utrudilo. Slabo vreme lahko povzroči nevarne pogoje, kot je spolzka podlaga.
- Bodite pozorni na osebe, predmete in situacije, ki lahko preprečijo varno obratovanje izdelka.
- Bodite pozorni na ovire, kot so korenine, kamni, veje, jame in jarki. Visoka trava lahko prekriva ovire.
- Košnja trave na pobočju je lahko nevarna. Izdelka ne uporabljajte na pobočjih z naklonom, večjim od 15°.
- Izdelek uporabljajte prečno na pobočje. Ne premikajte se navzgor in navzdol.

- Bodite previdni, kadar se približujete kotom in predmetom, ki omejujejo pogled.

Varnost pri delu



OPOZORILO: Pred uporabo izdelka preberite navodila v povezavi z opozorili v nadaljevanju.

- Ta izdelek uporabljajte izključno za košnjo trave. Ne uporabljajte ga za druga opravila.
- Uporabljajte osebno zaščitno opremo. Glejte *Osebna zaščitna oprema na strani 296*.
- V zaslinem primeru morate znati motor hitro izklopiti.
- Motorja nikoli ne vklopite v zaprtem prostoru ali v bližini vnetljivega materiala. Izpušni plini iz motorja so vroči in lahko vsebujejo iskre, ki lahko povzročijo požar.
- Izdelka ne uporabljajte, če rezilo in vsi pokrovi niso nameščeni pravilno. Nepravilno nameščeno rezilo lahko odleti in povzroči poškodbe.
- Pazite, da rezilo ne udarja ob predmete, npr. kamenje in korenine. To lahko poškoduje rezilo in ukrivi motorno gred. Zvita os povzroča vibracije in zelo visoko tveganje, da rezilo odleti.
- Če rezilo trči ob predmet ali začitite vibracije, izdelek nemudoma izklopite. S svečke odstranite vžigalni kabel. Preglejte, ali je izdelek morda poškodovan. Poškodbe popravite ali pa popravilo prepustite pooblaščenemu serviserju.
- Ročico zavore motorja nikoli ne pritrдите trajno na ročaj, ko je motor obratuje.
- Izdelek vklopite na stabilni in ravni podlagi. Prepričajte se, da rezilo ne trči ob tla ali druge predmete.
- Vedno bodite za izdelkom, ko ga upravljate.
- Ko upravljate izdelek, morajo biti vsa kolesa na tleh, prav tako pa imejte na ročaju obe roki. Roke in noge držite stran od vrtljivih rezil.
- Pri delujočem motorju izdelka nikoli ne nagibajte.
- Ko izdelek potegneta nazaj, bodite previdni.
- Izdelka ne dvigajte, ko motor deluje. Če morate izdelek dvigniti, motor izklopite in s svečke odstranite vžigalni kabel.
- Med uporabo izdelka ne hodite vzvratno.
- Izklopite motor, ko se premikate prek področij brez trave, npr. poti iz gramoza, kamna in asfalta.
- Pri delujočem motorju ne tecite z izdelkom. Pri uporabi tega izdelka vedno hodite.
- Preden spreminjate višino reza, ustavite motor. Ne izvajajte prilagoditev, ko motor deluje.
- Ko je motor vklopljen, imejte izdelek vedno v pogledu. Motor izklopite in se prepričajte, da se rezalna oprema ne vrti.

Varnostna navodila za uporabo

Osebna zaščitna oprema



OPOZORILO: Pred uporabo izdelka preberite navodila v povezavi z opozorili v nadaljevanju.

- Osebna zaščitna oprema ne more popolnoma preprečiti poškodb, vendar v primeru nesreče omili posledice. Prodajalec naj vam pomaga izbrati ustrezno opremo.
- Če je moč hrupa višja od 85 dB, uporabljajte zaščitno opremo za sluh.
- Uporabite trpežno obutev, ki ne drsi. Ne bodite bosi ali nosite odprtih čevljev.
- Oblečene imejte trpežne, dolge hlače.
- Po potrebi uporabite zaščitne rokavice, npr. kadar pritrjujete, pregledujete ali čistite rezalno opremo.

Varnostne naprave na izdelku



OPOZORILO: Pred uporabo izdelka preberite navodila v povezavi z opozorili v nadaljevanju.

- Ne uporabljajte izdelka s poškodovanimi varnostnimi napravami.
- Redno preverjajte varnostne naprave. Če so varnostne naprave poškodovane, se obrnite na pooblaščen servisno delavnico Husqvarna.

Preverjanje pokrova rezila

Pokrov rezila zmanjšuje moč vibracij v izdelku in zmanjšuje nevarnost poškodb, katerih vzrok bi lahko bilo rezilo.

- Preglejte pokrov rezila in se prepričajte, da nima poškodb, kot so razpoke.

Preverjanje ščitnika jermena

Ščitnik jermena zmanjšuje nevarnost poškodb in poskrbi, da pretrgan pogonski jermen ne izskoči.

- Prepričajte se, da ščitnik jermena ni poškodovan in je pravilno pritrjen. (Sl. 13)

Preverjanje ščitnika jermena

Ščitnik jermena zmanjšuje nevarnost poškodb in poskrbi, da pretrgan pogonski jermen ne izskoči.

- Prepričajte se, da ščitnik jermena ni poškodovan in je pravilno pritrjen. (Sl. 14)

Ročica zavore motorja

Ročica zavore motorja izklopi motor. Ko je ročica zavore motorja sproščena, se motor ustavi.

Če želite preveriti zavoro motorja, vklopite motor, potem pa sprostite ročico zavore motorja. Če se motor ne izklopi v 3 sekundah, peljite izdelek k pooblaščenemu serviserju Husqvarna, da nastavi zavoro motorja.

(Sl. 15)

Preverjanje sistema za dušenje treslajev



OPOZORILO: Pri osebah, ki imajo zmanjšano cirkulacijo krvi, lahko pretirana izpostavljenost treslajem povzroči poškodbe ožilja ali živcev. Če opazite zmanjšana pretirana izpostavljenosti treslajem, pojdite po medicinsko pomoč. Ti simptomi zajemajo otrplost, izgubo občutenja, ščemenje, zbadanje, bolečino, zmanjšano moč in spremembe barve ali stanja kože. Običajno se pojavijo v prstih, na rokah ali na zapestjih.

Sistem za dušenje treslajev med delovanjem zmanjša treslaje v ročajih.

Jeklena cev v ročaju in pokrov rezila sta namenjena zmanjšanju treslajev. KLIPPO LB 548S e ima prav tako 4 elemente za blaženje treslajev, ki so pritrjeni na ročaj.

- Preglejte ročaje in elemente za blaženje treslajev ter se prepričajte, da ti niso poškodovani. (Sl. 16)

Nosilec rezila

Nosilec rezila zmanjša tveganje, da bi se motorna gred ukrivila. Če rezilo trči ob predmet, se rezilo premakne na nosilec rezila. Ta premik povzroči obrabo na površju nosilca rezila. Obraba je znak, da zaščita motorne gredi deluje pravilno.

Dušilnik

Dušilnik zmanjšuje hrup na najnižjo možno raven in pošilja izpušne pline stran od operaterja.

Ne uporabljajte izdelka, če dušilnik manjka ali je poškodovan. Poškodovan dušilnik zviša raven hrupa in poveča nevarnost požara.



OPOZORILO: Dušilnik se med in po uporabi ter med delovanjem motorja v prostem teku močno segreje. V bližini vnetljivih materialov in/ali hlapov bodite previdni, da preprečite požar.

Preverjanje dušilnika

- Dušilnik redno preverjajte in se tako prepričajte, da je pravilno nameščen in ni poškodovan.

Varnost pri delu z gorivom



OPOZORILO: Pred uporabo izdelka preberite navodila v povezavi z opozorili v nadaljevanju.

- Če so na izdelku ostanki goriva ali motornega olja, izdelka ne zaganjajte. Očistite ostanke goriva/olja in počakajte, da se izdelek posuši.
- Če se z gorivom polijete po obleki, se nemudoma preoblecite.
- Pazite, da goriva ne polijete po telesu, saj lahko pride do poškodb. Če gorivo polijete po telesu, se očistite z milom in vodo.
- Če motor pušča, izdelka ne zaganjajte. Redno preverjajte, ali motor pušča.
- Z gorivom ravnajte previdno. Gorivo je vnetljivo, hlapi pa so eksplozivni, zato lahko pride do poškodb ali smrti.
- Ne vdihavajte hlapov goriva, saj lahko pride do poškodb. Zagotovite zadosten pretok zraka.
- V bližini goriva ali motorja ne kadite.
- Vročih predmetov ne postavljajte v bližino goriva ali motorja.
- Goriva ne dolivajte, ko je motor vklopljen.
- Pred dolivanjem goriva se prepričajte, da je motor ohlajen.
- Pred dolivanjem počasi odprite pokrovček posode za gorivo in previdno sprostite pritisk.
- Goriva ne dolivajte v zaprtih prostorih. Ne zadosten pretok zraka lahko povzroči poškodbe ali smrt zaradi zadušitve ali zastrupitve z ogljikovim monoksidom.
- Skrbno privijte pokrovček posode za gorivo. Če pokrovček posode za gorivo ni dobro zatesnjen, obstaja nevarnost požara.
- Preden izdelek vklopite, ga premaknite najmanj 3 m/10 čevljev stran od mesta, kjer ste napolnili posodo za gorivo.
- Rezervoar za gorivo ne napolnite do konca. Gorivo se razširi zaradi vročine. Pustite prazen prostor na vrhu rezervoarja za gorivo.

Varnostna navodila za vzdrževanje



OPOZORILO: Pred uporabo izdelka preberite navodila v povezavi z opozorili v nadaljevanju.

- Izpušni plini vsebujejo ogljikov monoksid iz motorja, ki je brezbarven, strupen in zelo nevaren plin. Motorja ne vklopite v zaprtih prostorih.
- Preden začnete z vzdrževanjem izdelka, ustavite motor in s svečke odstranite vžigalni kabel.
- Pri vzdrževanju rezalne opreme uporabite zaščitne rokavice. Rezilo je izjemno ostro, zato lahko hitro pride do ureznin.
- Dodatki in spremembe izdelka, ki niso odobrene s strani proizvajalca, lahko vodijo k resnim poškodbam

ali celo v smrt. Ne spreminjajte izdelka. Vedno uporabljajte samo dodatke, ki jih je odobril proizvajalec.

- Če izdelka ne vzdržujete pravilno in redno, se poveča nevarnost poškodb osebam in izdelku.
- Vzdrževanje opravite tako, kot piše v teh navodilih za uporabo. Vsakršno drugačno vzdrževanje mora

opraviti osebe pooblašene servisne delavnice Husqvarna.

- Redno dovolite osebu pooblašene servisne delavnice Husqvarna izvajati vzdrževalna dela.
- Zamenjajte poškodovane, obrabljene ali zlomljene dele.

Montaža

Uvod



OPOZORILO: Preden sestavite izdelek morate prebrati in razumeti poglavje o varnosti.



OPOZORILO: Preden sestavite izdelek odklopite kabel vžigalne svečke s svečke.

Namestitev in nastavitve ročaja

1. S plošče na zgornjem ročaju odstranite matico ročaja in podložko.
2. Zgornji ročaj namestite na vrh spodnjega ročaja.



POZOR: Prepričajte se, da žice niso zataknjene ali poškodovane.

3. Pritrdite podložko in matico ročaja. (Sl. 17)
4. Kadar izdelek uporabljate v bližini stene, ročaj obrnite na stran tako, da je v dobrem položaju za delo. (Sl. 18)
5. Za navpično prilagoditev ročaja zavrtite nastavitvena kolesa na ohišju. (Sl. 19)

Namestitev vložka za mulčenje KLIPPO LB 448S, KLIPPO LB 548S e

1. Nagnite izdelek vzvratno, tako da je svečka zgoraj.
2. Zatiče vložka za mulčenje vtaknite v luknje z notranje strani pokrova rezila. (Sl. 20)
3. Pritrdite vijake za vložek za mulčenje z zunanje strani pokrova rezila. (Sl. 21)

Delovanje

Uvod



OPOZORILO: Pred uporabo izdelka morate prebrati in razumeti poglavje o varnosti.

Husqvarna Connect

Husqvarna Connect je brezplačna aplikacija za vašo mobilno napravo. Aplikacija Husqvarna Connect omogoča razširitev funkcij vašega izdelka Husqvarna:

- Dodatne informacije o izdelku.
- Informacije o izdelku, delih in servisu ter pomoč.

Začetek uporabe: Husqvarna Connect

1. V mobilno napravo si prenesite aplikacijo Husqvarna Connect.
2. Registrirajte se v aplikaciji Husqvarna Connect.
3. Za vzpostavitev povezave in registracijo izdelka sledite navodilom v aplikaciji Husqvarna Connect.

Pred uporabo izdelka

1. Natančno preberite navodila za uporabo in se prepričajte, da ste jih razumeli.
2. Preglejte rezalno opremo in se prepričajte, da je pravilno pritrjena in nastavljena. Glejte *Kako pregledati rezalno opremo na strani 301*.
3. Napolnite rezervoar za gorivo. Glejte *Polnjenje goriva na strani 298*.
4. Napolnite rezervoar olja in preverite nivo olja. Glejte *Kako preveriti nivo olja na strani 301*.

Polnjenje goriva

Če je na voljo, uporabite nizkoemisijsko/alkilatno gorivo. Če nizkoemisijsko/alkilatno gorivo ni na voljo, uporabite neosvinčeno gorivo dobre kakovosti ali osvinčeno gorivo, ki ima najmanj 90 oktanov.



POZOR: Ne uporabljajte bencina, ki ima oktansko število nižje od 90 RON (87 AKI). Izdelek se lahko tako poškoduje.

1. Počasi odprite rezervoar za gorivo, da sprostite pritisk.

- Napolnite počasi s posodo za gorivo. Če gorivo polijete, ga pobrišite s krpo in pustite, da se preostalo gorivo posuši.
- Očistite področje okrog pokrova rezervoarja za gorivo.
- Skrbno privijte pokrovček posode za gorivo. Če pokrovček posode za gorivo ni dobro zatesnjen, obstaja nevarnost požara.
- Preden izdelek vklopite, ga premaknite najmanj 3 m (10 čevljev) stran od mesta, kjer ste napolnili posodo za gorivo.

Nastavitev višine košnje

Košnjo lahko nastavite na 6 višin.

- Potisnite ročico za nastavitev višine košnje naprej, da zvišate višino košnje.
- Povlecite ročico za nastavitev višine košnje nazaj, da znižate višino košnje.



POZOR: Ne nastavite višino rezanja prenizko. Rezila lahko trčijo ob tla, če površina travnika ni ravna.

Zagon izdelka

- Prepričajte se, da je kabel vžigalne svečke priključen na svečko.
- Odprite ventil goriva. (Sl. 22)
- Ostanite za izdelkom.
- Ročico zavore motorja držite ob ročaju. (Sl. 23)
- Z desno roko držite ročico zaganjalne vrvice.
- Zaganjalno ročico počasi izvlecite, da začutite nekoliko upora.
- Močno povlecite, da zaženete motor.



OPOZORILO: Zaganjalne vrvice ne navijajte okoli zapestja.

Vzdrževanje

Uvod



OPOZORILO: Pred izvajanjem vzdrževalnih del morate prebrati in razumeti poglavje o varnosti.

Za servisiranje in popravila na izdelku posebno usposabljanje ni potrebno. Zagotavljamo, da vam bodo na voljo strokovna popravila in servisiranje. Če vaš



POZOR: Zaganjalne vrvice ne iztegnite popolnoma. Ko je zaganjalna vrstica iztegnjena, ne izpusite njene ročice.

Za pogon koles

- Pogonsko ročico potisnite navzdol. (Sl. 24)
- Preden izdelek povlečete vzvratno, sprostite pogonsko ročico in izdelek potisnite naprej približno 10cm.
- Nekoliko sprostite ročico zavore motorja, da izklopite pogon, na primer ko ste blizu ovire.

Izklop izdelka

- Če želite zaustaviti samo pogon, nekoliko sprostite ročico motorne zavore.
- Če želite izklopiti motor, popolnoma sprostite ročico zavore motorja.
- Zaprte ventil goriva. (Sl. 25)

Kako doseči dober rezultat

- Vedno uporabljajte ostra rezila. Če uporabljate topo rezilo, bo trava pokošena neenakomerno, ob zarezah pa lahko postane tudi rumena. Ostro rezilo prav tako porabi manj energije kot topo rezilo.
- Ne odrežite več kot tretjino dolžine travnih bilk. Najprej kosite z visoko nastavitvijo višine košnje. Preglejte rezultat in nastavite višino košnje na ustrezno višino. Če je trava zelo visoka, vozite počasi in po potrebi kosite dvakrat.
- Vsakič kosite v različnih smereh, da se na travi ne bi pojavile črte.

prodajalec ni pooblaščen serviser, ga povprašajte, kje je naslednja najbližja pooblaščen servisna delavnica.

Urnik vzdrževanja

Izračunani intervali vzdrževanja veljajo za vsakodnevno uporabo izdelka. Intervali se spremenijo, če izdelek ne uporabljate vsakodnevno.

Za vzdrževalna dela, označena z *, glejte navodila v *Varnostne naprave na izdelku na strani 296.*

Vzdrževanje	Dnevno	Tedensko	Mesečno
Opravite splošen pregled	X		

Vzdrževanje	Dnevno	Tedensko	Mesečno
Preverite nivo olja	X		
Izdelek očistite	X		
Očistite zračni filter	X		
Preglejte rezalno opremo	X		
Preglejte pokrov rezila*	X		
Preglejte ročico zavoro motorja*	X		
Preglejte dušilec*		X	
Preglejte svečko		X	
Preglejte, če so na pogonskem jermenu poškodbe			X
Čiščenje ohišja menjalnika			X
Zamenjajte olje (prvič po 5 urah uporabe, potem po vsakih 25 urah uporabe in enkrat na leto.)			X
Zamenjajte zračni filter			X
Preglejte sistem za gorivo			X
Preglejte in nastavite pogon (žica za sklopko)			X

Izvajanje splošnih pregledov

- Prepričajte se, da so vse matice in vijaki na izdelku ustrezno priviti.

Kako čistiti zunanost izdelka

- S krtačo odstranite listje, travo in umazanijo.
- Prepričajte se, da dovod zraka na vrhu motorja ni oviran.
- Izdelka ne čistite z visokotlačnim čistilnikom.
- Če izdelek operete z vodo, pazite, da voda ne teče neposredno na motor.

Kako očistiti notranjo površino pokrova rezila

1. Izdelek položite na stran tako, da je dušilec na spodnji strani.



POZOR: Če položite izdelek na stran tako, da je na tleh zračni filter, lahko poškodujete motor.

2. Izperite notranjo površino pokrova rezila z vodo.

Pregled pogonskega jermena in čiščenje ohišja menjalnika

1. Odstranite 4 vijake na ščitniku jermena in odstranite ščitnik jermena. (Sl. 26)
2. Preglejte, ali so na pogonskem jermenu in jermenici poškodbe.

3. S krtačko odstranite listje, travo in umazanijo z ohišja menjalnika. (Sl. 27)

Menjava in nastavev pogonskega jermena

1. Odstranite 4 vijake na ščitniku jermena in odstranite ščitnik jermena. (Sl. 26)
2. Med kolesni pokrov in kolo na desnem sprednjem kolesu izdelka potisnite ploščat izvijač.
3. Izvijač previdno zavrtite, da odstranite kolesni pokrov.
4. Odstranite kolesni zatič in odstranite kolo. (Sl. 28)
5. Pogonski jermen odstranite z jermenic.
6. Prepričajte se, da se jermenice zlahka premikajo po osi.
7. Po potrebi napršite z oljem med jermenicami in za njimi ter namažite os.
8. Namestite nov pogonski jermen in ga pravilno pritrдите na kroglični ležaj, preden prilagodite pogonski jermen. (Sl. 29)
9. Kroglični ležaj premaknite navzgor ali navzdol, da prilagodite pogonski jermen. (Sl. 30)

Opomba: Nov pogonski jermen po uporabi postane daljši. Po nekaj urah delovanja pogonski jermen znova prilagodite.

10. Namestite ščitnik jermena.
11. Zaženite izdelek, da se prepričate, da je pogonski jermen pravilno nameščen in prilagojen.

Menjava in nastavitve sredinske jermenice

1. Odstranite rezilo.

Opomba: Ta korak ni potreben, kadar samo prilagajate sredinsko jermenico.

2. Sprostite nastavitvene šobe za nekaj vrtljajev, vendar jih ne odstranite. (Sl. 31)
3. Zamenjajte sredinsko jermenico in zmerno pritrdite nastavitvene šobe.

Opomba: Ta korak ni potreben, kadar samo prilagajate sredinsko jermenico.

4. Menjalnik premikajte naprej ali nazaj, da prilagodite sredinsko jermenico. (Sl. 32)
5. S tehtnico s kavljem za obešanje preverite napetost sredinske jermenice. Jermen je primerno napet, ko se na sredini lahko premika za 6–10 mm. To je enako sili pritiska 3 kg. (Sl. 33)
6. Nastavitvene šobeategnite do konca z zateznim momentom 3 Nm.
7. Zaženite izdelek, da se prepričate, da je pogonski jermen pravilno nameščen in prilagojen.

Kako pregledati rezalno opremo



OPOZORILO: Odstranite vžigalni kabel s svečke, da preprečite naključni vklop motorja.



OPOZORILO: Pri vzdrževanju rezalne opreme uporabite zaščitne rokavice. Rezilo je izjemno ostro, zato lahko hitro pride do ureznin.

1. Preverite, ali je rezalna oprema poškodovana oziroma razpokana. Če je rezalna oprema poškodovana, jo zamenjajte.
2. Preverite, ali je rezilo poškodovano ali topo.

Opomba: Rezilo morate po brušenju postaviti v ravnovesje. Izdelek peljite na servisni center, da rezilo nabrusijo, zamenjajo in uravnovesijo. Če trčite ob oviro in se izdelek ustavi, zamenjajte poškodovano rezilo. Pooblaščen servisna delavnica naj oceni, ali lahko rezilo izostrijo ali pa ga je treba zamenjati.

Zamenjava rezil

1. Rezilo blokirajte z leseno klado. (Sl. 34)
2. Odstranite vijak rezila, vzmetno podložko in rezilo. (Sl. 35)
3. Preverite, ali sta nosilec rezila in vijak rezila poškodovana.

- a) Če zamenjate rezilo ali nosilec rezila, zamenjajte tudi vijak rezila, vzmetno podložko in torni podložko.
4. Preglejte, ali je motorna gred zvrta.
5. Ko pritrdite novo rezilo, usmerite nagnjene strani v smer pokrova rezila. (Sl. 36)
6. Torni podložko in rezilo namestite na nosilec rezila. (Sl. 37)
7. Prepričajte se, da je rezilo poravnano s središčem motorne gredi. (Sl. 38)
8. Rezilo blokirajte z leseno klado. (Sl. 39)
9. Pritrdite vzmetno podložko in privijte vijak z zateznim momentom 80 Nm. (Sl. 40)
10. Ročno zavrtite rezilo in se prepričajte, da se prosto obrača.



OPOZORILO: Uporabljajte zaščitne rokavice. Rezilo je izjemno ostro, zato lahko hitro pride do ureznin.

11. Izdelek vklopite, da preizkusite rezilo. Če rezilo ni pritrdjeno pravilno, bo izdelek vibriral, rezultat košnje pa ne bo zadovoljiv.

Kako preveriti nivo olja



POZOR: Če je nivo olja prenizek, se lahko poškoduje motor. Preden zaženete izdelek, preverite nivo olja.

1. Izdelek naj bo na ravnih tleh.
2. Zaprite ventil goriva.
3. Odstranite pokrov rezervoarja olja s priloženo merilno palico.
4. Z merilne palice očistite olje.
5. Merilno palico znova dajte v rezervoar olja, vendar ne privijte pokrova rezervoarja olja.
6. Odstranite merilno palico.
7. Na merilni palici preučite nivo olja.
8. Če je nivo olja nizek, dolijte motorno olje in še enkrat preverite nivo olja. Nivo olja je pravilen, če sega do zgornje oznake na merilni palici.

Zamenjava motornega olja



OPOZORILO: Tik po zaustavitvi motorja je motorno olje zelo vroče. Preden iztočite motorno olje, se motor mora ohladiti. Če polijete motorno olje po koži, se umijte z milom in vodo.

1. Izdelek uporabljajte, dokler imate v rezervoarju gorivo.
2. S svečke odstranite vžigalni kabel.
3. Odstranite pokrovček posode za olje.

- Pod izdelek postavite posodo, kamor se bo izteklo motorno olje.
- Izdelek nagnite, da iz rezervoarja olja izteče motorno olje.
- Dolijte novo motorno olje, priporočila najdete v *Tehnični podatki na strani 303*.
- Preverite nivo olja. Glejte razdelek *Kako preveriti nivo olja na strani 301*.

Čiščenje zračnega filtra



POZOR: Motor ne sme delovati brez nameščenega zračnega filtra ali če je zračni filter umazan.



POZOR: Če zračnega filtra ni mogoče v celoti očistiti ali je poškodovan, ga zamenjajte. Poškodovan zračni filter poškoduje motor.

- Potisnite zaklepna jezička (A), odstranite pokrov zračnega filtra (B) in izvlcite zračni filter (C). (Sl. 41)
- Zračni filter udarite ob trdo površino ali skozi njega spihajte stisnjeni zrak s čiste strani.



POZOR: Filtra ne čistite s krtačenjem, saj tako umazanijo le vtirate.

- Očistite nosilec zračnega filtra (D) in pokrov zračnega filtra očistite z vlažno krpo.



POZOR: Prepričajte se, da v zračno cev (E) ne prihaja umazanija.

- Namestite zračni filter. Prepričajte se, da se zračni filter tesno prilega nosilcu zračnega filtra.
- Zračni filter namestite tako, da najprej vstavite spodnje jezičke.

Pregled svečke



POZOR: Vedno uporabljajte priporočeno vrsto svečke. Zaradi neustrezne vrste vžigalne svečke se izdelek lahko poškoduje.

- Če se moč motorja zmanjša, motorja ni mogoče enostavno zagnati ali ta ne deluje ustrezno v prostem teku, preglejte vžigalno svečko.
- Vteganje za pojav oblog na elektrodah vžigalne svečke lahko zmanjšate tako, da upoštevate ta navodila:
 - Hitrost prostega teka mora biti pravilno nastavljena.
 - Mešanica goriva mora biti ustrezna.
 - Zračni filter mora biti čist.
- Če je vžigalna svečka umazana, jo očistite in zagotovite, da je razmak med elektrodama ustrezen; glejte *Tehnični podatki na strani 303*. (Sl. 42)
- Vžigalno svečko po potrebi zamenjajte.

Kako pregledati sistem za gorivo

- Preverite, ali sta pokrov rezervoarja za gorivo in tesnilo pokrova rezervoarja za gorivo poškodovana.
- Preverite, ali cev za gorivo pušča. Če je cev za gorivo poškodovana, naj jo pooblaščen servisna delavnica zamenja.

Kako nastaviti žico sklopke

Če se vam zdi vožnja počasna, je potrebno nastaviti žico sklopke.

- Obrnite nastavitven vijak. (Sl. 43)

Žica sklopke je pravilno nastavljena, ko je držalo žične potege poravnano z matico.

(Sl. 44)

Transport skladiščenje in odstranitev

Prevoz in skladiščenje

- Preden prevažate in skladiščite izdelek in gorivo, se prepričajte, da izdelek ne pušča in da ni hlapov. Iskre ali odprti plamen, npr. z električnih naprav ali kotlov, lahko zanetijo ogenj.
- Za prevoz in skladiščenje goriva vedno uporabite odobrene posode.
- Preden izdelek skladiščite za daljše obdobje, izpraznite rezervoar za gorivo. Gorivo zavržite na temu primernem zbirnem mestu.
- Izdelek varno pritrdite na prevozno sredstvo, da se izognete poškodbam in nesrečam.

- Izdelek skladiščite v zaklenjenem prostoru, tako da otroci ali osebe, ki niso primerne za rokovanje z izdelkom, do izdelka ne morajo dostopati.
- Izdelek skladiščite na suhem mestu, kjer ne zmrzuje.

Odstranitev

- Upoštevajte lokalne zahteve za recikliranje in ustrezne predpise.
- Vse kemikalije, kot so motorno olje ali gorivo, zavržite na servisnem centru ali na kakšni drugi temu primerni lokaciji.
- Ko izdelka ne uporabljate več, ga pošljite k prodajalcu Husqvarna ali pa ga zavržite na mestu za recikliranje.

Tehnični podatki

Tehnični podatki

	KLIPPO LB 448S	KLIPPO LB 453S	KLIPPO LB 548S e
Motor			
Znamka	Honda	Honda	Honda
Gibna prostornina valja v cm ³	145	166	166
Hitrost v vrt./min	2900	2900	2900
Nazivna izhodna moč motorja, kW ¹¹⁶	2,7	3,3	3,3
Vžigalni sistem			
Svečka	NGK BPR5ES	NGK BPR5ES	NGK BPR5ES
Razmik elektrod, mm	0,7-0,8	0,7-0,8	0,7-0,8
Sistem za gorivo in mazanje			
Prostornina posode za gorivo v litrih	0,9	0,9	0,9
Prostornina posode za olje v litrih	0,55	0,5	0,55
Motorno olje ¹¹⁷	SAE 10W-30	SAE 10W-30	SAE 10W-30
Teža			
S praznimi rezervoarji v kg	30,5	33	32,5
Emisije hrupa¹¹⁸			
Raven zvočne moči, izmerjena v dB (A)	90	91	90
Raven zvočne moči, zajamčena L _{WA} v dB(A)	91	94	91
Nivoji hrupa¹¹⁹			
Nivo zvočnega tlaka pri ušesu operaterja, dB(A)	77	78	78
Nivo vibracij a_{hveq}¹²⁰			
Ročaj, m/s ²	4,5	5,3	4,8

¹¹⁶ Navedena nazivna moč motorja je povprečna neto izhodna moč (pri navedenem št. vrt/min) motorja običajne proizvodnje za model motorja, umerjen po standardu SAE J1349/ISO1585. Motorji masovne proizvodnje imajo lahko drugačno vrednost. Dejanska moč motorja, nameščenega na končnem izdelku, je odvisna od delovne hitrosti, okoljskih pogojev in drugih vrednosti.

¹¹⁷ Uporabljajte motorna olja razredov SG–SH. Glejte tabelo razredov viskoznosti v proizvajalčevih navodilih za uporabo motorja in izberite najprimernejšo viskoznost olja glede na pričakovano zunanjo temperaturo.

¹¹⁸ Emisije hrupa v okolje, merjene kot moč zvoka (L_{WA}), v skladu z direktivo ES 2000/14/ES.

¹¹⁹ Nivo zvočnega tlaka v skladu s standardom ISO 5395. Zabeleženi podatki za nivo zvočnega tlaka imajo tipično statistično razpršitev (standardni odklon) 1,2 dB(A).

¹²⁰ Raven vibracij v skladu s standardom ISO 5395. Zabeleženi podatki za raven vibracij imajo tipično statistično razpršitev (standardni odklon) v višini 0,2 m/s².

	KLIPPO LB 448S	KLIPPO LB 453S	KLIPPO LB 548S e
Rezalna oprema			
Višina reza v mm	30–60	30–60	30–60
Širina rezanja, mm	480	530	480
Rezilo	Mulčenje – 48 cm	Mulčenje – 53 cm	Mulčenje – 48 cm
	5028813-10	5028814-10	5028813-10
Vozi			
Hitrost v km/h	4,5	4,5	4,5

Izjava ES o skladnosti

Izjava ES o skladnosti

Husqvarna AB, SE-561 82 Huskvarna, Švedska, tel: +46-36-146500, izjavlja, da so **vrtno kosilnice Husqvarna KLIPPO LB 448S, KLIPPO LB 453S, KLIPPO LB 548S** s serijskimi številkami od 2020xxxxxxx dalje v skladu z zahtevami DIREKTIVE SVETA:

- z dne 17. maja 2006, ki se nanaša na stroje, **2006/42/ES**
- z dne 26. februarja 2014 o elektromagnetni združljivosti **2014/30/EU**
- z dne 8. maja 2000 o emisijah hrupa v okolje **2000/14/ES**
- z dne 8. junija 2011 "o omejevanju uporabe nekaterih nevarnih snovi v električni in elektronski opremi" **2011/65/EU**

Informacije v zvezi z emisijo hrupa so na voljo v poglavju "Tehnični podatki".

Uporabljeni so naslednji standardi:

EN ISO 5395-1, EN ISO 5395-2, EN ISO 5395-2 Amd1, EN ISO 5395-2 Amd 2, EN 55012, EN 50581:2012

Če ni drugače navedeno, zgoraj navedeni standardi veljajo kot najnovejše objavljene različice.

Priglašeni organ: **0404, RISE SMP Svensk Maskinprovning AB, Box 7035, SE-750 07 Uppsala** je izdal poročila glede ocenjevanja skladnosti na podlagi VI. priloge DIREKTIVE SVETA z dne 8. maja 2000, ki se "nanaša na emisije hrupa v okolje" 2000/14/ES.

Huskvarna, 2020-09-16



Claes Losdal, Vodja oddelka za razvoj vrtno opreme (Pooblaščen zastopnik družbe Husqvarna AB in odgovorni za sestavo tehnične dokumentacije.)

Sadržaj

Uvod.....	306	Održavanje.....	311
Bezbednost.....	307	Transport, skladištenje i odlaganje.....	314
Sklapanje.....	310	Tehnički podaci.....	315
Rukovanje.....	310	EZ deklaracija o usaglašenosti.....	317

Uvod

Opis proizvoda

Proizvod je rotirajuća kosačica koju gura korisnik, a koja koristi BioClip® za seckanje trave u đubrivo.

Pregled proizvoda

(Sl. 1)

1. Ručka/upravljач
2. Ručica kočnice motora
3. Poluga za pokretanje
4. Ručica užeta startera
5. Poklopac za ulje
6. Štitnik remena
7. Prigušivač
8. Svećica
9. Štitnik remena
10. Rezervoar za gorivo
11. Poluga za podešavanje ugla ručice
12. Sistem prigušenja vibracija
13. Podešavanje sajle kvačila
14. Donja ručica
15. Poluga visine košenja
16. Ventil za gorivo
17. Filter za vazduh
18. Poklopac košenja
19. Opružna podloška
20. Zavrtnaj noža
21. Sečivo
22. Potpora sečiva
23. Merica za usitnjenu travu (KLIPPO LB 448S, KLIPPO LB 548S e)
24. Korisničko uputstvo

Simboli na proizvodu

- (Sl. 2) UPOZORENJE: Nemarna ili nepravilna upotreba može dovesti do povrede ili smrti rukovaoca ili drugih osoba.
- (Sl. 3) Pre korišćenja pažljivo pročitajte korisničko uputstvo i budite sigurni da razumete njegov sadržaj.

Namena

Koristite proizvod za košenje trave. Nemojte koristiti proizvod za druge zadatke.

- (Sl. 4) Pazite na odbačene predmete i odskakivanja.
- (Sl. 5) Pazite da ljudi i životinje budu na bezbednoj udaljenosti od radnog područja.
- (Sl. 6) Zaustavite motor i uklonite kabl za paljenje pre popravki i održavanja.
- (Sl. 7) Upozorenje: Udaljite šake i stopala od rotirajućih delova.
- (Sl. 8) Upozorenje: Udaljite šake i stopala od rotirajućeg sečiva.
- (Sl. 9) Ovaj proizvod je u saglasnosti sa važećim direktivama EZ.
- (Sl. 10) Emisije buke u okruženje u skladu sa evropskom Direktivom 2000/14/EZ i propisom o zaštiti radova u okruženju (kontrola buke) Novog Južnog Velsa iz 2017. Podaci o emisiji buke su navedeni na nalepnici mašine i u poglavlju Tehnički podaci.
- (Sl. 11) Kôd koji se može skenirati.

Napomena: Drugi simboli/oznake na proizvodu odnose se na zahteve za sertifikaciju za određene komercijalne oblasti.

Oznaka na proizvodu, samo za Australiju i Novi Zeland

(Sl. 12)

Udaljite šake i stopala od rotirajućeg sečiva.

Emisije Euro V.



UPOZORENJE: Neovlašćene prepravke motora poništavaju EU tip odobrenja za ovaj proizvod.

Odgovornost za proizvod

Kako je izloženo u zakonima o odgovornosti za proizvode, mi nismo odgovorni za oštećenja

prouzrokovana našim proizvodom u sledećim slučajevima:

- proizvod je popravljen na pogrešan način
- proizvod je popravljen korišćenjem delova koji nisu napravljeni ili odobreni od strane proizvođača
- proizvod ima opremu koja ne potiče ili nije odobrena od strane proizvođača
- proizvod nije popravljen u ovlašćenom servisnom centru ili od strane ovlašćenog stručnjaka

Bezbednost

Bezbednosne definicije

Upozorenja, mere opreza i napomene se koriste da ukažu na naročito važne delove korisničkog uputstva.



UPOZORENJE: Koristi se ako, usled nepoštovanja uputstava, postoji rizik od nastanka telesnih povreda ili smrti kod rukovaoca ili prisutnih osoba.



OPREZ: Koristi se ako, usled nepoštovanja uputstava, postoji rizik od nastanka oštećenja na proizvodu, drugim materijalima ili susednim oblastima.

Napomena: Koristi se za pružanje više informacija koje su neophodne u datoj situaciji.

Opšta bezbednosna uputstva



UPOZORENJE: Pročitajte upozoravajuća uputstva koja slede pre korišćenja proizvoda.

- Proizvod je opasan ako se koristi na nepravilan način ili ako niste oprezni. Može doći do telesne povrede ili smrti ako se ne pridržavate bezbednosnih uputstava.
- Ovaj proizvod pri radu stvara elektromagnetno polje. Ovo polje u određenim uslovima može da izazove smetnje na aktivnim i pasivnim medicinskim implantatima. U cilju smanjenja rizika od uslova nastanka teških ili smrtnih telesnih povreda, preporučujemo osobama koje imaju medicinske implantate da se pre upotrebe ovog proizvoda konsultuju sa lekarom ili proizvođačem implantata.
- Uvek budite pažljivi i koristite zdrav razum. Ako niste sigurni kako da rukujete proizvodom u određenoj situaciji, prekinite rad i obratite se Husqvarna prodavcu pre nastavka rada.
- Imajte na umu da će se rukovalac smatrati odgovornim za nesrećne slučajeve koji uključuju druge osobe ili njihovu imovinu.

- Održavajte proizvod čistim. Pobrinite se da jasno možete pročitati znakove i nalepnice.
- Nemojte dozvoliti da druga osoba koristi proizvod osim ako se niste uverili da je pročitala i razumela sadržaj korisničkog uputstva.
- Nemojte dozvoliti da dete rukuje proizvodom.
- Vodite računa o tome da deca ne budu u radnom području. Odgovorna odrasla osoba mora biti prisutna sve vreme.
- Nemojte dozvoliti da osoba, bez znanja u pogledu uputstava, rukuje proizvodom.
- Uvek nadzirite osobu sa smanjenim fizičkim ili mentalnim sposobnostima koja koristi proizvod. Odgovorna odrasla osoba mora biti prisutna sve vreme.
- Nemojte da koristite proizvod kada ste umorni, bolesni ili pod uticajem alkohola, droge ili lekova. To ima negativan uticaj na vašu moć vida, opreznost, koordinaciju i rasuđivanje.
- Nemojte da koristite proizvod ako je pokvaren.
- Nemojte vršiti izmene na proizvodu i nemojte koristiti proizvod ako postoji mogućnost da su druge osobe vršile izmene na njemu.
- Nemojte da menjate podešavanje za kontrolu brzine motora.

Bezbednost u oblasti rada



UPOZORENJE: Pročitajte upozoravajuća uputstva koja slede pre korišćenja proizvoda.

- Uklonite predmete kao što su grane, grančice i kamenje iz radnog područja pre nego što počnete da koristite proizvod.
- Predmeti koji udare o opremu za košenje mogu da budu izbačeni i izazovu povredu osoba ili oštećenje predmeta. Pazite da prisutne osobe i životinje budu na bezbednoj udaljenosti od proizvoda.
- Nikada nemojte koristiti proizvod u lošim vremenskim uslovima kao što su magla, kiša, jak vetar, intenzivna hladnoća i kada postoji opasnost od pojave munja. Korišćenje proizvoda u lošim vremenskim uslovima ili na vlažnim lokacijama je

zamorno. Loši vremenski uslovi mogu da izazovu opasne okolnosti, kao što su klizave površine.

- Vodite računa o osobama, predmetima i situacijama koji bi mogli da spreče bezbedan rad proizvoda.
- Pazite na prepreke, kao što su korenje, kamenje, grančice, jame i jarci. Visoka trava može da sakrije prepreke.
- Košenje trave na nagibima može biti opasno. Nemojte koristiti proizvod na terenu koji ima nagib veći od 15°.
- Rukujte proizvodom preko prednjih strana nagiba. Nemojte ga pomerati gore i dole.
- Budite pažljivi kada se približavate skrivenim uglovima i predmetima koji bi mogli da blokiraju vaš vidik.

Bezbednost na radu



UPOZORENJE: Pročitajte upozoravajuća uputstva koja slede pre korišćenja proizvoda.

- Koristite ovaj proizvod samo za košenje travnjaka. Nije dozvoljeno njegovo korišćenje za druge zadatke.
- Koristite ličnu zaštitnu opremu. Pogledajte *Lična zaštitna oprema na stranici 308*.
- Naučite kako da brzo zaustavite motor u slučaju opasnosti.
- Nemojte da pokrećete motor u zatvorenom prostoru ili blizu zapaljivih materijala. Izduvni gasovi motora su vreli i mogu da sadrže varnice, što može izazvati požar.
- Nemojte raditi sa proizvodom ako sečivo i svi poklopci nisu pravilno postavljeni. Nepravilno postavljeno sečivo se može otkaćiti i prouzrokovati telesnu povredu.
- Pobrinite se da sečivo ne udara o predmete kao što su kamenje ili korenje. To može dovesti do oštećenja noža i savijanja osovine motora. Savijena osovina proizvodi velike vibracije i postoji povećana opasnost da se sečivo olabavi.
- Ako sečivo udari o predmet ili ako se pojave vibracije, odmah zaustavite proizvod. Uklonite kabl za paljenje sa svećice. Pregledajte proizvod u pogledu oštećenja. Otklonite oštećenja ili dozvolite ovlašćenom servisnom agentu da izvrši popravku.
- Nemojte postavljati ručicu kočnice motora trajno na ručku kada je motor pokrenut.
- Postavite proizvod na stabilnu, ravnu površinu i pokrenite ga. Vodite računa da sečivo ne dodiruje tlo ili druge predmete.
- Uvek stojte iza proizvoda kada radite sa njim.
- Vodite računa da svi točkići ostanu na tlu i držite dve ruke na ručki kada rukujete proizvodom. Udaljite šake i stopala od rotirajućih sečiva.
- Nemojte naginjati proizvod kada je motor pokrenut.
- Budite pažljivi kada povlačite proizvod unazad.

- Nikada nemojte podizati proizvod kada je motor pokrenut. Ako morate da podignete proizvod, prvo isključite motor i odvojte kabl za paljenje sa svećice.
- Nemojte hodati unazad kada radite sa proizvodom.
- Zaustavite motor kada se krećete preko područja bez trave, na primer, stazica napravljenih od šljunka, kamena i asfalta.
- Ne trčite sa proizvodom ako mu radi motor. Uvek hodajte kada radite sa proizvodom.
- Zaustavite motor pre nego što promenite visinu košenja. Nikada nemojte da vršite podešavanja dok je motor pokrenut.
- Nikada nemojte dozvoliti da proizvod ostane bez nadzora dok je motor pokrenut. Zaustavite motor i uverite se da se oprema za košenje ne okreće.

Bezbednosna uputstva za rad

Lična zaštitna oprema



UPOZORENJE: Pročitajte upozoravajuća uputstva koja slede pre korišćenja proizvoda.

- Lična zaštitna oprema ne može da u potpunosti spreči telesnu povredu, ali ona umanjuje stepen telesne povrede ako dođe do nesrećnog slučaja. Neka vam vaš prodavac pomogne u izboru odgovarajuće opreme.
- Koristite zaštitu za uši ako je nivo buke iznad 85 dB.
- Nosite čvrste neklizajuće cizme ili cipele. Nemojte nositi obuću sa otvorenim prstima ili icipi bosonogi.
- Uvek nosite duge pantalone od čvrstog materijala.
- Nosite zaštitne rukavice po potrebi, na primer, kada pričvršćujete, pregledate ili čistite opremu za košenje.

Bezbednosni uređaji na proizvodu



UPOZORENJE: Pročitajte upozoravajuća uputstva koja slede pre korišćenja proizvoda.

- Nemojte koristiti proizvod na kojem su oštećeni bezbednosni uređaji.
- Redovno proveravajte bezbednosne uređaje. Ako su bezbednosni uređaji neispravni, obratite se svom Husqvarna servisnom agentu.

Provera poklopcu mehanizma za košenje

Poklopcu mehanizma za košenje smanjuje vibracije u proizvodu, kao i rizik od povrede nožem.

- Pregledajte poklopcu košenja kako biste se uverili da nema oštećenja kao što su naprsline.

Provera štitnika remena

Štitnik remena smanjuje rizik od povrede i onemogućava da dođe do izbacivanja pogonskog remena.

- Uverite se da štitnik remena nije oštećen i da je ispravno postavljen. (Sl. 13)

Provera štitnika remena

Štitnik remena smanjuje rizik od povrede i onemogućava da dođe do izbacivanja pogonskog remena.

- Uverite se da štitnik remena nije oštećen i da je ispravno postavljen. (Sl. 14)

Ručica kočnice motora

Ručica kočnice motora zaustavlja motor. Kada je ručica kočnice motora otpuštena, motor se zaustavlja.

Da biste izvršili proveru kočnice motora, pokrenite motor pa otpustite ručicu kočnice motora. Ako se motor ne zaustavi u roku od 3 sekunde, neka ovlašćeni Husqvarna serviser izvrši podešavanje kočnice motora.

(Sl. 15)

Da biste proverili sistem prigušenja vibracija



UPOZORENJE: Preterano izlaganje vibracijama može da dovede do oštećenja krvotoka ili oštećenja nervnog sistema kod osoba sa slabijom cirkulacijom krvi. Obratite se lekaru ako imate simptome preterane izloženosti vibracijama. Primeri takvih simptoma su obamrlost, gubitak osećaja, žmarci, iglice, bolovi, malaksalost i promene u boji i stanju kože. Simptomi se obično pojavljuju u prstima, šakama ili zglobovima.

Sistem prigušenja vibracija smanjuje vibracije u ručki na minimum tokom rada.

Čelična cev u upravljaču i poklopac mehanizma za košenje smanjuju vibracije. KLIPPO LB 548S e poseduje i četiri jedinice za prigušenje vibracija pričvršćene za upravljač.

- Pregledajte upravljač i jedinice za prigušenje vibracija da biste se uverili da nisu oštećeni. (Sl. 16)

Potpora sečiva

Potporna sečiva smanjuje rizik od savijanja osovine motora. Ako sečivo udari u neki predmet, sečivo će se pomeriti uz potporu sečiva. Pomeranje dovodi do habanja površine potpore sečiva. Habanje ukazuje da zaštita osovine motora radi ispravno.

Prigušivač

Prigušivač održava nivo buke na minimumu i šalje izduvne gasove od rukovaoca.

Ne koristite proizvod ako prigušivač nedostaje ili je oštećen. Oštećeni prigušivač povećava nivo buke i rizik od požara.



UPOZORENJE: Prigušivač postaje veoma vruć tokom i nakon korišćenja i kada motor radi pri brzini praznog hoda. Budite pažljivi u blizini zapaljivih materijala i/ili isparenja kako biste sprečili požar.

Da biste proverili prigušivač

- Redovno proveravajte prigušivač kako biste se uverili da je ispravno postavljen i da nije oštećen.

Bezbednost oko goriva



UPOZORENJE: Pročitajte upozoravajuća uputstva koja slede pre korišćenja proizvoda.

- Nemojte pokretati proizvod ako na njemu postoje tragovi goriva ili motornog ulja. Uklonite neželjeno gorivo/ulje i sačekajte da se proizvod osuši.
- Ako prospete gorivo na odeću, odmah je presvucite.
- Nemojte dozvoliti da gorivo dospe na vaše telo, ono može izazvati telesnu povredu. Ako vam gorivo dospe na telo, uklonite ga vodom i sapunom.
- Nemojte pokretati proizvod ako postoji curenje iz motora. Redovno proveravajte da li postoji curenje iz motora.
- Budite oprezni pri rukovanju gorivom. Gorivo je zapaljivo a isparenja su eksplozivna i mogu izazvati telesne povrede ili smrt.
- Nemojte udisati isparenja goriva, to može izazvati telesnu povredu. Pobrinite se da ima dovoljno protoka vazduha.
- Nemojte pušiti u blizini goriva ili motora.
- Nemojte stavljati vruće predmete blizu goriva ili motora.
- Do kraja dolivati gorivo kada motor radi.
- Uverite se da je motor hladan pre dopunjavanja goriva.
- Pre dopunjavanja goriva, lagano otvorite poklopac rezervoara za gorivo i pažljivo otpustite pritisak.
- Nemojte dolivati gorivo u motor u zatvorenom prostoru. Nedovoljan protok vazduha može izazvati telesnu povredu ili smrt usled gušenja ili prisustva ugljen-monoksida.
- Do kraja zategnite čep rezervoara za gorivo. Ako čep rezervoara za gorivo nije zategnut, postoji opasnost od požara.
- Izmaknite proizvod bar 3 m / 10 stopa od mesta na kojem ste napunili rezervoar pre pokretanja.
- Ne puniti rezervoar za gorivo do vrha. Toplota izaziva širenje goriva. Ostavite prazan prostor na vrhu rezervoara za gorivo.

Bezbednosna uputstva za održavanje



UPOZORENJE: Pročitajte upozoravajuća uputstva koja slede pre korišćenja proizvoda.

- Izduvni gasovi iz motora sadrže ugljen-monoksid, otrovan i veoma opasan gas bez mirisa. Nemojte puštati motor u rad u zatvorenim prostorima.
- Pre održavanja proizvoda zaustavite motor i uklonite kabl za paljenje sa svećice.
- Nosite zaštitne rukavice kada vršite održavanje na opremi za košenje. Sečivo je veoma oštro i lako dolazi do posekotine.

- Oprema i izmene na proizvodu koji nisu odobreni od strane proizvođača mogu da izazovu teške telesne povrede ili smrt. Nemojte vršiti izmene na proizvodu. Koristite samo delove koje je odobrio proizvođač.
- Ako se održavanje ne vrši na ispravan način i redovno, raste rizik od telesnih povreda i oštećenja proizvoda.
- Vršite samo održavanja opisana u ovom korisničkom uputstvu. Ostalo servisiranje mora da obavlja ovlašćeni Husqvarna serviser.
- Neka ovlašćeni Husqvarna servisni agent redovno vrši servisiranje proizvoda.
- Zamenite oštećene, pohabane ili pokvarene delove.

Skapanje

Uvod



UPOZORENJE: Pre skapanja proizvoda, morate pročitati i razumeti poglavlje o bezbednosti.



UPOZORENJE: Uklonite kabl svećice sa svećice pre skapanja proizvoda.

Sastavljanje i podešavanje ručke

1. Uklonite navrtku ručke i podlošku sa ploče na gornjoj ručki.
2. Postavite gornju ručku u položaj iznad donje ručke.



OPREZ: Uverite se da sajle ne budu uhvaćene ili da se ne oštete.

3. Pričvrstite podlošku i navrtku ručke. (Sl. 17)
4. Okrenite ručku na stranu radi dobrog položaja za rad kada proizvod koristite blizu zida. (Sl. 18)
5. Okrenite točkice za podešavanje na kućištu da biste vertikalno podesili ručku. (Sl. 19)

Postavljanje merice za usitnjenu travu KLIPPO LB 448S, KLIPPO LB 548S e

1. Nagnite proizvod ka zadnjoj strani tako da svećica bude okrenuta nagore.
2. Postavite iglice merice za usitnjenu travu u otvore sa unutrašnje strane poklopca mehanizma za košenje. (Sl. 20)
3. Pričvrstite zavrtnje za mericu za usitnjenu travu sa spoljne strane poklopca mehanizma za košenje. (Sl. 21)

Rukovanje

Uvod



UPOZORENJE: Pre rada sa proizvodom, morate pročitati i razumeti poglavlje o bezbednosti.

Husqvarna Connect

Husqvarna Connect je besplatna aplikacija za mobilne uređaje. Aplikacija Husqvarna Connect pruža proširene funkcije za proizvod Husqvarna:

- Dodatne informacije o proizvodu.
- Informacije o delovima proizvoda i servisiranju i pomoći u vezi s njima.

Da biste počeli koristiti Husqvarna Connect

1. Preuzmite aplikaciju Husqvarna Connect na svoj mobilni uređaj.
2. Registrirajte se u aplikaciji Husqvarna Connect.
3. Pratite uputstva u aplikaciji Husqvarna Connect da biste se spojili i registrovali proizvod.

Pre rada sa proizvodom

1. Pažljivo pročitajte korisničko uputstvo i budite sigurni da razumete njegov sadržaj.
2. Pregledajte opremu za košenje i uverite se da je pravilno postavljena i podešena. Pogledajte *Pregled opreme za košenje na stranici 313*.
3. Napunite rezervoar za gorivo. Pogledajte *Dosipanje goriva na stranici 311*.

4. Napunite rezervoar za ulje i proverite nivo ulja. Pogledajte *Provera nivoa ulja na stranici 313*.

Dosipanje goriva

Ako je dostupan, koristite alkilatni benzin / benzin koji proizvodi manju količinu štetnih izduvnih gasova. Ako vam nije dostupan alkilatni benzin / benzin koji proizvodi manju količinu štetnih izduvnih gasova, koristite bezolovni benzin ili benzin sa olovom čiji oktanski broj nije manji od 90.



OPREZ: Nemojte koristiti benzin sa oktanskim brojem manjim od 90 RON (87 AKI). To može prouzrokovati oštećenje proizvoda.

1. Polako otvorite čep rezervoara za gorivo da biste izjednačili pritisak.
2. Polako napunite iz kanistera za gorivo. Ako prospete gorivo, obrišite ga krpom i sačekajte da se preostalo gorivo osuši.
3. Obrišite deo oko čepa rezervoara za gorivo.
4. Do kraja zategnite čep rezervoara za gorivo. Ako čep rezervoara za gorivo nije zategnut, postoji opasnost od požara.
5. Izmaknite proizvod bar 3 m (10 stopa) od mesta na kojem ste sipali gorivo pre pokretanja.

Podešavanje visine košenja

Visina košenja se može podesiti u 6 nivoa.

1. Pomerite ručicu visine košenja unapred da biste smanjili visinu košenja.
2. Pomerite ručicu visine košenja unazad da biste smanjili visinu košenja.



OPREZ: Nemojte postavljati visinu košenja suviše nisko. Sečiva mogu da udare o tlo ako površina travnjaka nije ujednačena.

Pokretanje proizvoda

1. Proverite da li je kabl za paljenje povezan sa svećicom.
2. Otvorite ventil za gorivo. (Sl. 22)

3. Stanite iza proizvoda.
4. Stisnite ručicu kočnice motora. (Sl. 23)
5. Držite ručicu užeta startera desnom rukom.
6. Lagano izvlačite užu startera dok ne osetite otpor.
7. Snažno povucite da biste pokrenuli motor.



UPOZORENJE: Nemojte namotavati užu startera oko ruke.



OPREZ: Ne izvlačite užu startera u potpunosti. Ne otpuštajte dršku užeta startera dok je užu izvučeno.

Korišćenje pogona na točkicama

- Gurnite polugu za pokretanje nadole. (Sl. 24)
- Pre nego što povučete proizvod unazad, odvojite pogon i gurnite proizvod ka napred približno 10cm.
- Otpustite malo ručicu kočnice motora da biste deaktivirali pogon, na primer, kada se približite prepreci.

Zaustavljanje proizvoda

- Da biste zaustavili samo pogon, otpustite malo ručicu kočnice motora.
- Da biste zaustavili motor, otpustite ručicu kočnice motora u potpunosti.
- Zatvorite ventil za gorivo. (Sl. 25)

Za dobre rezultate

- Uvek koristite oštro sečivo. Tupo sečivo daje neujednačeni rezultat i pokošena površina trave postaje žuta. Oštro sečivo takođe koristi manje energije nego tupo sečivo.
- Nemojte kositi više od 1/3 dužine trave. Prvo kosite sa visokom visinom košenja. Pregledajte rezultat i spustite visinu košenja na prihvatljivi nivo. Ako je trava zaista visoka, vozite polako i kosite dvaput ako bude potrebno.
- Kosite u različitim smerovima svaki put da biste izbegli pruge na travnjaku.

Održavanje

Uvod



UPOZORENJE: Pre održavanja, morate pročitati i razumeti poglavlje o bezbednosti.

Za sva servisiranja i popravke proizvoda, potrebna je specijalna obuka. Garantujemo dostupnost stručnih popravki i servisiranja. Ako vaš prodavac nije servisni

agent, obratite mu se za informacije o najbližem servisnom agentu.

Šema održavanja

Intervali održavanja su izračunati na osnovu svakodnevnog korišćenja proizvoda. Intervali se menjaju ako se proizvod ne koristi svakodnevno.

Za održavanja obeležena znakom *, pogledajte uputstva u *Bezbednosni uređaji na proizvodu na stranici 308*.

Održavanje	Dnevno	Nedeljno	Mesečno
Izvršite generalni pregled	X		
Proverite nivo ulja	X		
Očistite proizvod	X		
Očistite filter za vazduh	X		
Pregledajte opremu za košenje	X		
Pregledajte poklopac alata za košenje*	X		
Pregledajte ručicu kočnice motora*	X		
Pregledajte auspuh		X	
Pregledajte svećicu		X	
Pregledajte ima li oštećenja na pogonskom remenu			X
Očistite kućište zupčanika			X
Zamenite ulje (prvi put posle 5 sati rada, a zatim na svakih 25 sati rada i jednom godišnje)			X
Zamenite filter za vazduh			X
Pregledajte sistem za gorivo			X
Pregledajte i podesite pogon (sajla kvačila)			X

Vršenje opšteg pregleda

- Uverite se da su sve navrtke i zavrtnji na proizvodu ispravno pritegnuti.

Čišćenje proizvoda spolja

- Uklonite lišće, travu i prljavštinu pomoću četke.
- Uverite se da ulaz vazduha na vrhu motora nije blokiran.
- Nemojte da koristite čistač pod visokim pritiskom za čišćenje proizvoda.
- Ako koristite vodu za čišćenje proizvoda, ne polivajte motor.

Čišćenje unutrašnje površine poklopca mehanizma za košenje

- Stavite proizvod na bok tako da je auspuh dole.



OPREZ: Ako se proizvod spusti tako da je filter za vazduh dole, motor može da se ošteti.

- Ispirite unutrašnju stranu poklopca mehanizma za košenje vodom iz creva.

Pregled pogonskog remena i čišćenje kućišta zupčanika

- Uklonite četiri zavrtnja na štitniku remena i uklonite ga. (Sl. 26)
- Pregledajte da pogonski remen i podizač remena nisu oštećeni.
- Četkom uklonite lišće, travu i prljavštinu iz kućišta zupčanika. (Sl. 27)

Zamena i podešavanje pogonskog remena

- Uklonite četiri zavrtnja na štitniku remena i uklonite ga. (Sl. 26)
- Postavite ravni odvijlač između ratkapne i točka na prednjem desnom točku proizvoda.
- Pažljivo okrenite odvijlač da biste uklonili ratkapnu.
- Uklonite vijak točka i skinite točak. (Sl. 28)
- Skinite pogonski remen sa podizača remena.
- Pobrinite se da se podizači remena lako kreću na osovinu.
- Po potrebi, isprskajte prodiruće ulje između i iza podizača remena i podmažite osovinu.

8. Instalirajte novi pogonski remen i pravilno ga pričvrstite na kugličnom ležaju pre nego što podesite pogonski remen. (Sl. 29)
9. Pomerite kuglični ležaj nagore ili nadole da biste podesili pogonski remen. (Sl. 30)

Napomena: Novi pogonski remen izdužuje se nakon upotrebe. Ponovo podesite pogonski remen nakon nekoliko sati rada.

10. Postavite štitnik remena.
11. Pokrenite proizvod da biste proverili da li je pogonski remen pravilno postavljen i podešen.

Zamena i podešavanje središnjeg remena

1. Uklonite sečivo.

Napomena: Ovaj korak nije obavezan kada podešavate samo središnji remen.

2. Olabavite vijke za podešavanje za nekoliko obrtaja, ali ih nemojte uklanjati. (Sl. 31)
3. Zamenite središnji remen i umereno zategnite vijke za podešavanje.

Napomena: Ovaj korak nije obavezan kada podešavate samo središnji remen.

4. Pomerite zupčanik unapred ili unazad da biste podesili središnji remen. (Sl. 32)
5. Pomoću vage sa kukom ispitajte zategnutost središnjeg remena. Remen je pravilno zategnut kada može da se pomeri za 6 do 10 cm u sredini. To je jednako opterećenju od 3 kg. (Sl. 33)
6. Pričvrstite vijke za podešavanje u potpunosti primenom momenta pritezanja od 3 Nm.
7. Pokrenite proizvod da biste proverili da li je pogonski remen pravilno postavljen i podešen.

Pregled opreme za košenje



UPOZORENJE: Da biste sprečili neželjeno pokretanje, uklonite kabl za paljenje sa svećice.



UPOZORENJE: Nosite zaštitne rukavice kada vršite održavanje na opremi za košenje. Sečivo je veoma oštro i lako dolazi do posekotina.

1. Pregledajte opremu za košenje u pogledu oštećenja ili naprslina. Uvek zamenite oštećenu opremu za košenje.
2. Pregledajte sečivo da biste videli je li oštećeno ili tupo.

Napomena: Nakon oštrenja sečiva potrebno ga je balansirati. Neka servisni centar naoštiri, zameni i balansira sečivo. Ako udarite o prepreku nakon čega se proizvod zaustavi, zamenite oštećeno sečivo. Neka servisni centar odredi da li sečivo može da se naoštiri ili mora da se zameni.

Zamena sečiva

1. Blokirate sečivo pomoću komada drveta. (Sl. 34)
2. Uklonite vijak sečiva, opružnu podlošku i sečivo. (Sl. 35)
3. Pregledajte da li su potpora sečiva i vijak sečiva oštećeni.
 - a) Ako zamenite sečivo ili potporu sečiva, zamenite i vijak sečiva, opružnu podlošku i podlošku za trenje.
4. Pregledajte osovinu motora kako biste se uverili da nije savijena.
5. Kada postavite novo sečivo, uverite se da su savijeni krajevi okrenuti u smeru poklopca mehanizma za košenja. (Sl. 36)
6. Postavite podlošku za trenje i sečivo uz potporu sečiva. (Sl. 37)
7. Pobrinite se da je sečivo poravnato sa sredinom osovine motora. (Sl. 38)
8. Blokirate sečivo pomoću komada drveta. (Sl. 39)
9. Postavite opružnu podlošku i zategnite vijak na moment pritezanja od 80 Nm. (Sl. 40)
10. Povucite sečivo rukom da biste proverili da li se slobodno okreće.



UPOZORENJE: Koristite zaštitne rukavice. Sečivo je veoma oštro i lako dolazi do posekotina.

11. Pokrenite proizvod kako biste testirali sečivo. Ako sečivo nije ispravno postavljeno, pojavice se vibriranje proizvoda ili rezultat košenja neće biti zadovoljavajući.

Provera nivoa ulja



OPREZ: Previše nizak nivo ulja može da ošteti motor. Proverite nivo ulja pre pokretanja proizvoda.

1. Stavite proizvod na ravno tlo.
2. Zatvorite ventil za gorivo.
3. Uklonite poklopac rezervoara za ulje sa šipkom za merenje.
4. Obrišite ulje na šipki za merenje.
5. Stavite šipku za merenje u rezervoar za ulje, ali nemojte zatezati poklopac rezervoara za ulje.
6. Uklonite šipku za merenje.

- Očitajte nivo ulja na šipci.
- Ako je nivo ulja nizak, dospite motorno ulje i ponovo proverite nivo. Nivo ulja je ispravan kada doseže do gornje oznake na šipki za merenje.

Zamena motornog ulja



UPOZORENJE: Motorno ulje je vrelo neposredno nakon zaustavljanja motora. Pustite da se motor ohladi pre odlivanja motornog ulja. Ako prospete motorno ulje na kožu, sperite ga sa tela sapunom i vodom.

- Pustite proizvod da radi dok se rezervoar za gorivo ne isprazni.
- Uklonite kabl za paljenje sa svećice.
- Uklonite poklopac rezervoara za ulje.
- Stavite posudu za skupljanje ulja ispod proizvoda.
- Nagnite proizvod da biste ispustili motorno ulje iz rezervoara za ulje.
- Sipajte novo motorno ulje tipa preporučenog u *Tehnički podaci na stranici 315*.
- Proverite nivo ulja. Pogledajte *Provera nivoa ulja na stranici 313*.

Čišćenje filtera za vazduh



OPREZ: Ne koristite motor bez filtera za vazduh ili sa prljavim filterom za vazduh.



OPREZ: Zamenite filter za vazduh ako se ne očisti u potpunosti ili ako je oštećen. Defektni filter za vazduh uzrokuje oštećenje motora.

- Gurnite jezičke za završljavanje (A), uklonite poklopac filtera za vazduh (B) i filter za vazduh (C). (Sl. 41)
- Udarite filter za vazduh o tvrdu površinu ili uduvajte komprimovani vazduh kroz filter za vazduh sa čiste strane filtera.



OPREZ: Ne koristite četku za uklanjanje prljavštine, jer se tako prljavština gura u filter.

- Očistite držač filtera za vazduh (D) i poklopac filtera za vazduh vlažnom krpom.



OPREZ: Pobrinite se da prljavština ne ode u cev za vazduh (E).

- Postavite filter za vazduh. Uverite se da filter za vazduh do kraja naleže na držač filtera za vazduh.
- Stavite poklopac filtera za vazduh tako da donji jezički idu prvi.

Pregled svećice



OPREZ: Uvek koristite preporučeni tip svećice. Neodgovarajući tip svećice može da ošteti proizvod.

- Pogledajte svećicu ako je snaga motora mala, ako se teško pokreće ili nepravilno radi u praznom hodu.
- Da biste smanjili rizik od nakupljanja neželjenog materijala na elektrodama svećice, poštujujte sledeća uputstva:
 - Uverite se da je broj obrtaja na praznom hodu pravilno podešen.
 - Uverite se da je mešavina dobro napravljena.
 - Uverite se da je filter za vazduh čist.
- Ako je svećica prljava, očistite je i ujedno proverite da li je razmak između elektroda tačan, pogledajte *Tehnički podaci na stranici 315*. (Sl. 42)
- Zamenite svećicu ako je potrebno.

Pregled sistema za gorivo

- Pogledajte da li su poklopac rezervoara za gorivo i njegova zaptivka oštećeni.
- Pogledajte da li crevo za gorivo curi. Ako je crevo za gorivo oštećeno, neka ga serviser zameni.

Podešavanje sajle kvačila

Ako vam se čini da pogon sporo radi, podesite sajlu kvačila.

- Okrnite vijak za podešavanje. (Sl. 43)

Sajla kvačila pravilno je podešena kada je držač sajle kvačila poravnat sa navrtkom.

(Sl. 44)

Transport, skladištenje i odlaganje

Transport i skladištenje

- Uverite se da pri skladištenju i transportu proizvoda i goriva nema isparavanja i curenja iz proizvoda. Varnice i otvoren plamen, na primer iz električnih uređaja i bojlera, može da zapali požar.

- Uvek koristite odobrene kanistere za čuvanje i transport goriva.
- Ispraznite rezervoar za gorivo pre dužeg skladištenja proizvoda. Gorivo odbacujte na odgovarajućoj lokaciji za odbacivanje
- Da biste sprečili nezgode i oštećenja, dobro fiksirajte proizvod prilikom transporta.

- Čuvajte proizvod u zaključanoj prostoriji da biste sprečili neodobren pristup deci i drugim osobama.
- Čuvajte proizvod na suvom mestu bez mraza.
- Sve hemikalije, kao što su motorno ulje i gorivo, odbacujte u servisnom centru ili na odgovarajućem mestu za odbacivanje.
- Kad rashodujete proizvod, pošaljite ga Husqvarna prodavcu ili ga odnesite na odgovarajuće mesto za reciklažu.

Odlaganje

- Pratite lokalne zakone i propise o reciklaži.

Tehnički podaci

Tehnički podaci

	KLIPPO LB 448S	KLIPPO LB 453S	KLIPPO LB 548S e
Motor			
Marka	Honda	Honda	Honda
Zapremina cilindra, cm ³	145	166	166
Brzina, o/min	2900	2900	2900
Nominalna izlazna snaga motora, kW ¹²¹	2,7	3,3	3,3
Sistem paljenja			
Svećica	NGK BPR5ES	NGK BPR5ES	NGK BPR5ES
Zazor elektroda, mm	0,7–0,8	0,7–0,8	0,7–0,8
Sistem za gorivo i podmazivanje			
Kapacitet rezervoara za gorivo, litri	0,9	0,9	0,9
Kapacitet rezervoara za ulje, litara	0,55	0,5	0,55
Motorno ulje ¹²²	SAE 10W-30	SAE 10W-30	SAE 10W-30
Težina			
Sa praznim rezervoarima, kg	30,5	33	32,5
Emisija buke ¹²³			
Nivo zvučne snage, mereno dB (A)	90	91	90
Nivo zvučne snage, garantovano L _{WA} dB (A)	91	94	91
Nivoi zvuka ¹²⁴			
Nivo zvučnog pritiska na uho ruko-vaoca, dB (A)	77	78	78

¹²¹ Naznačena snaga motora je prosečna neto izlazna snaga (pri navedenim obrtajima u minutu) tipičnog proizvodnog motora za model motora izmerena prema SAE standardu J1349/ISO1585. Vrednost motora iz masovne proizvodnje može da se razlikuje. Stvarna izlazna snaga postavljenog motora na proizvodu će zavistiti od radne brzine, uslova u okruženju i drugih vrednosti.

¹²² Koristite motorno ulje kvaliteta SG–SH. Pogledajte tabelu viskoznosti u priručniku proizvođača motora i izaberite najbolju viskoznost na osnovu očekivane temperature okoline.

¹²³ Emisije buke u životnoj sredini merene kao zvučna snaga (L_{WA}) u skladu sa direktivom 2000/14/EZ.

¹²⁴ Nivo pritiska buke prema ISO 5395. Prijavljeni podaci za nivo zvučnog pritiska imaju tipičnu statističku disperziju (standardna devijacija) od 1,2 dB (A).

	KLIPPO LB 448S	KLIPPO LB 453S	KLIPPO LB 548S e
Nivo vibracija, a_{Hveq}¹²⁵			
Ručka, m/s ²	4,5	5,3	4,8
Oprema za košenje			
Visina košenja, mm	30–60	30–60	30–60
Širina košenja, mm	480	530	480
Sečivo	Malčiranje – 48 cm 5028813-10	Malčiranje – 53 cm 5028814-10	Malčiranje – 48 cm 5028813-10
Pogon			
Brzina, km/h	4,5	4,5	4,5

¹²⁵ Nivo vibracija prema ISO 5395. Podaci o nivou vibracije imaju tipičnu statističku disperziju (standardnu devijaciju) od 0,2 m/s².

EZ deklaracija o usaglašenosti

EZ deklaracija o usaglašenosti

Husqvarna AB, SE-561 82 Huskvarna, Švedska, tel: +46-36-146500, izjavljuje da su **kosačice Husqvarna KLIPPO LB 448S, KLIPPO LB 453S, KLIPPO LB 548S** e od serijskog broja 2020xxxxxxx i nadalje, usaglašene sa zahtevima DIREKTIVE VEĆA:

- od 17. maja 2006., „u vezi sa mašinerijom“ **2006/42/EZ**
- od 26. februara 2014, „koja se odnosi na elektromagnetnu kompatibilnost“ **2014/30/EU**
- od 8. maja 2000, „koja se odnosi na emisije buke u okruženju“ **2000/14/EZ**
- od 8. juna 2011., „o ograničenju upotrebe određenih opasnih supstanci u električnoj i elektronskoj opremi“ **2011/65/EU**

Za informacije o emisiji buke, pogledajte odeljak Tehnički podaci.

Primenjeni su sledeći standardi:

EN ISO 5395-1, EN ISO 5395-2, EN ISO 5395-2 Amd1, EN ISO 5395-2 Amd 2, EN 55012, EN 50581:2012

Ako nije drugačije naznačeno, navedeni standardi predstavljaju najnovije objavljene verzije.

Ovlašćeno telo: **0404, RISE SMP Svensk Maskinprovning AB, Box 7035, SE-750 07 Uppsala** je objavio izveštaje o proceni usklađenosti sa aneksom VI DIREKTIVE SAVETA od 8. maja 2000. „koja se odnosi na emisije buke u okruženju“ 2000/14/EZ.

Huskvarna, 2020-09-16



Claes Losdal, menadžer razvoja/baštenski proizvodi
(ovlašćeni predstavnik kompanije Husqvarna AB i odgovorna osoba za tehničku dokumentaciju)

Innehåll

Introduktion.....	318	Underhåll.....	323
Säkerhet.....	319	Transport, förvaring och kassering.....	326
Montering.....	322	Tekniska data.....	327
Drift.....	322	EG-försäkrän om överensstämelse.....	329

Introduktion

Produktbeskrivning

Produkten är en rotorgräsklippare som styrs av en gående person och som använder BioClip® för att finfördela gräset till gödning.

Produktöversikt

(Fig. 1)

1. Handtag/styre
2. Motorbromsbygel
3. Körspak
4. Startsnörets handtag
5. Oljelock
6. Remkäpa
7. Ljuddämpare
8. Tändstift
9. Remkäpa
10. Bränsletank
11. Spak för vinkeljustering av handtaget
12. Avvibreringssystem
13. Kopplingsvajerjustering
14. Undre handtag
15. Klipphöjdsspak
16. Bränsleventil
17. Luftfilter
18. Klippkäpa
19. Fjäderbricka
20. Knivbult
21. Kniv
22. Knivstöd
23. Mulchingplugg (KLIPPO LB 448S, KLIPPO LB 548S e)
24. Bruksanvisning

Symboler på produkten

- (Fig. 2) **WARNING!** Starvigt eller felaktigt användande kan resultera i skador eller dödsfall för operatören eller andra.
- (Fig. 3) Läs igenom bruksanvisningen noggrant och se till att du förstår instruktionerna innan användning.

Avsedd användning

Använd produkten för att klippa gräs. Använd inte produkten till andra uppgifter.

- (Fig. 4) Akta dig för utslungade föremål och rikoschetter.
- (Fig. 5) Håll alltid människor och djur på säker avstånd från arbetsområdet.
- (Fig. 6) Stäng av motorn och ta av tändkabeln före reparation eller underhåll.
- (Fig. 7) **Varning!** Håll händer och fötter borta från roterande delar.
- (Fig. 8) **Varning!** Håll händer och fötter borta från den roterande kniven.
- (Fig. 9) Produkten överensstämmer med gällande EG-direktiv.
- (Fig. 10) Emission av buller i miljön enligt EU-direktiv 2000/14/EG och New South Wales "Protection of the Environment Operations (Noise Control) Regulation 2017". Information om bulleremission finns på maskinens etikett och i avsnittet Tekniska data.
- (Fig. 11) Kod som kan skannas.

Notera: Övriga symboler/dekaler på produkten avser specifika krav för certifieringar på vissa kommersiella marknader.

Dekal på produkten, endast för Australien och Nya Zeeland

(Fig. 12)

Håll händer och fötter borta från den roterande kniven.

Euro V-utsläpp



WARNING: Manipulering av motorn upphäver EG-typgodkännandet för den här produkten.

Produktansvar

Enligt lagstiftningen för produktansvar ansvarar vi inte för skador som vår produkt orsakar om:

- produkten repareras felaktigt
- produkten repareras med delar som inte kommer från tillverkaren eller inte har godkänts av tillverkaren
- produkten har ett tillbehör som inte kommer från tillverkaren eller inte har godkänts av tillverkaren
- produkten inte repareras vid ett godkänt servicecenter eller av en godkänd person.

Säkerhet

Säkerhetsdefinitioner

Varningar, försiktighetsåtgärder och anmärkningar används för att betona speciellt viktiga delar i bruksanvisningen.



WARNING: Används om det finns risk för skador eller dödsfall för användaren eller kringstående om anvisningarna i bruksanvisningen inte följs.



OBSERVERA: Används om det finns risk för skada på produkten, annat material eller det angränsande området om anvisningarna i bruksanvisningen inte följs.

Notera: Används för att ge mer information som är nödvändig i en viss situation.

Allmänna säkerhetsanvisningar



WARNING: Läs varningsinstruktionerna nedan innan du använder produkten.

- Denna produkt är farlig om den används på fel sätt, och om du inte är försiktig. Skada eller dödsfall kan inträffa om du inte följer säkerhetsinstruktionerna.
- Denna produkt alstrar ett elektromagnetiskt fält under drift. Detta fält kan under vissa omständigheter ge påverkan på aktiva eller passiva medicinska implantat. För att reducera risken för omständigheter som kan leda till allvarliga eller livshotande skador rekommenderar vi därför personer med implantat att rådgöra med läkare samt tillverkaren av det medicinska implantatet innan denna produkt används.
- Var alltid försiktig och använd sunt förnuft. Om du inte vet hur du ska använda produkten i en särskild situation ska du stanna den och tala med en Husqvarna-återförsäljare innan du fortsätter.
- Tänk på att användaren kommer att hållas ansvarig för olyckor som involverar andra människor eller deras egendom.

- Håll produkten ren. Se till att du kan läsa skyltar och dekaler tydligt.
- Låt inte någon använda produkten om du inte är säker på att personen har läst och förstår innehållet i bruksanvisningen.
- Låt inte barn använda produkten.
- Håll barn borta från klippområdet. En vuxen person måste vara närvarande hela tiden.
- Låt inte en person utan kännedom om instruktionerna använda produkten.
- Övervaka alltid en person med nedsatt fysisk eller mental kapacitet som använder produkten. En vuxen person måste vara närvarande hela tiden.
- Använd aldrig produkten om du är trött, sjuk eller om du är påverkad av alkohol, droger eller läkemedel. Detta har en negativ inverkan på din syn, ditt omdöme och din kroppskontroll.
- Använd inte produkten om den är trasig.
- Modifiera aldrig den här produkten och använd den inte om det är möjligt att den har blivit modifierad av andra.
- Ändra inte inställningen för motorns varvtalesreglering.

Säkerhet i arbetsområdet



WARNING: Läs varningsinstruktionerna nedan innan du använder produkten.

- Ta bort föremål som grenar, kvistar och stenar från arbetsområdet innan du använder produkten.
- Objekt som slår mot skärutrustningen kan slungas ut och orsaka skador på personer och föremål. Håll alltid människor och djur på säkert avstånd från produkten.
- Använd aldrig produkten i dåligt väder, som dimma, regn, hård vind, extrem kyla och risk för blixtnedslag. Det är ansträngande att använda produkten i dåligt väder eller på fuktiga eller våta platser. Dåligt väder kan leda till farliga förhållanden, t.ex. hala ytor.
- Håll utik efter personer, föremål och situationer som kan förhindra säker användning av produkten.
- Håll utik efter hinder, som rötter, stenar, grenar, gropar och diken. Långt gräs kan dölja hinder.

- Det kan vara farligt att klippa gräs i slutningar. Använd inte produkten i terräng som lutar mer än 15°.
- Klipp tvärs över slutningar. Inte upp och ned.
- Var uppmärksam när du närmar dig dolda hörn och föremål som skymmer sikten.

- Lämna aldrig produkten utanför ditt synfält med motorn igång. Stäng av motorn och se till att skärutrustningen inte roterar.

Säkerhetsinstruktioner för drift

Personlig skyddsutrustning



VARNING: Läs varningsinstruktionerna nedan innan du använder produkten.

- Personlig skyddsutrustning kan inte eliminera skaderisken helt, men den reducerar effekten av en skada vid ett eventuellt olyckstillbud. Be din återförsäljare om hjälp med att välja rätt utrustning.
- Använd hörselskydd om ljudnivån är högre än 85 dB.
- Använd kraftiga halksäkra kängor eller skor. Använd inte öppna skor och var inte barfota.
- Använd tjockare långbyxor.
- Använd skyddshandskar vid behov, till exempel när du ansluter, undersöker eller rengör skärutrustningen.

Säkerhetsanordningar på produkten



VARNING: Läs varningsinstruktionerna nedan innan du använder produkten.

- Använd inte en produkt med defekta säkerhetsanordningar.
- Kontrollera säkerhetsanordningarna regelbundet. Om säkerhetsanordningarna är defekta ska du prata med din Husqvarna serviceverkstad.

Kontrollera klippkåpan

Klippkåpan dämpar vibrationerna och minskar risken för skador orsakade av kniven.

- Undersök klippkåpan för att se till att där inte finns några skador, t.ex. sprickor.

Kontrollera remkåpan

Remkåpan minskar risken för skador och hindrar att en brusten drivrem skjuts ut.

- Se till att remkåpan inte har skador och att den är korrekt monterad. (Fig. 13)

Kontrollera remkåpan

Remkåpan minskar risken för skador och hindrar att en brusten drivrem skjuts ut.

- Se till att remkåpan inte har skador och att den är korrekt monterad. (Fig. 14)

Arbets säkerhet



VARNING: Läs varningsinstruktionerna nedan innan du använder produkten.

- Använd enbart den här produkten för att klippa gräsmattor. Det är inte tillåtet att använda den för andra uppgifter.
- Använd personlig skyddsutrustning. Se *Personlig skyddsutrustning på sida 320*.
- Se till att du vet hur man snabbt stoppar motorn i en nödsituation.
- Starta aldrig motorn i ett stängt utrymme eller nära brandfarliga material. Motoravgaserna är heta och kan medföra gnistor som kan orsaka brand.
- Använd inte produkten utan att kniven och alla kåpor är korrekt monterade. En felaktigt monterad kniv kan lossna och orsaka personsador.
- Se till att kniven inte slår emot föremål som stenar och rötter. Detta kan göra att kniven skadas och böja motoraxeln. En böjd axel orsakar kraftiga vibrationer och risken för att kniven lossnar blir mycket hög.
- Om kniven träffar ett föremål eller om det uppstår vibrationer ska du omedelbart stanna produkten. Koppla bort tändkabeln från tändstiftet. Kontrollera om det finns några skador på produkten. Reparera skadorna eller låt en behörig serviceverkstad utföra reparationen.
- Fäst aldrig motorbromsbygeln permanent på handtaget när motorn är igång.
- Ställ produkten på ett stabilt plant underlag och starta den. Se till att kniven inte vidrör marken eller andra föremål.
- Håll dig alltid bakom produkten när du använder den.
- Låt alla hjul stå på marken och håll båda händerna på handtaget när du använder produkten. Håll händer och fötter borta från de roterande knivarna.
- Luta inte produkten när motorn är igång.
- Var försiktig när du drar produkten bakåt.
- Lyft aldrig upp produkten när motorn är igång. Om du måste lyfta produkten ska du först stanna motorn och koppla bort tändkabeln från tändstiftet.
- Gå inte baklänges när du använder produkten.
- Stäng av motorn när du rör dig över områden utan gräs, t.ex. gångar av grus, sten och asfalt.
- Spring inte med produkten när motorn är igång. Gå alltid när du använder produkten.
- Stäng av motorn innan du ändrar klipphöjden. Gör aldrig justeringar med motorn igång.

Motorbromsbygel

Motorbromsbygeln stänger av motorn. När motorbromsbygeln släpps stannar motorn.

För att inspektera motorbromsen ska du starta motorn och sedan släppa motorbromsbygeln. Om motorn inte stannar inom tre sekunder ska du låta en godkänd Husqvarna-serviceverkstad justera motorbromsen.

(Fig. 15)

Kontrollera avvibreringssystemet



VARNING: Överexponering av vibrationer kan orsaka blodkärls- eller nervskador hos personer med dålig blodcirkulation. Uppsök läkare om du upplever symptom som kan relateras till överexponering av vibrationer. Exempel på sådana symptom är domningar, avsaknad av känsel, kittlingar, stickningar, smärta, avsaknad eller reducering av normal styrka, förändringar i hudens färg eller dess yta. Dessa symptom uppträder vanligtvis i fingrar, händer eller handleder.

Avvibreringssystemet minskar vibrationerna i handtaget under användning.

Stålröret i styret och klippkåpan minskar vibrationerna. KLIPPO LB 548S e har dessutom fyra avvibreringselement på styret.

- Inspektera styret och avvibreringselementen för att se till att det inte finns några skador. (Fig. 16)

Knivstöd

Knivstödet minskar risken för att motoraxeln böjs. Om kniven träffar ett föremål rör sig kniven mot knivstödet. Rörelsen orsakar slitage på knivstödet yta. Slitaget visar att skyddet av motoraxeln fungerar på rätt sätt.

Ljuddämpare

Ljuddämparen håller ljudnivån till ett minimum och leder bort motorns avgaser från föraren.

Använd inte produkten utan eller med defekt ljuddämpare. En defekt ljuddämpare ökar ljudnivån och brandrisken.



VARNING: Ljuddämparen blir mycket varm under och efter användning samt när motorn går på tomgång. Var försiktig nära brandfarliga material och/eller ångor för att förhindra brand.

Kontrollera ljuddämparen

- Undersök ljuddämparen regelbundet för att se till att den är korrekt monterad och inte skadad.

Bränslesäkerhet



VARNING: Läs varningsinstruktionerna nedan innan du använder produkten.

- Starta inte produkten om det finns bränsle eller motorolja på produkten. Ta bort det oönskade bränslet/oljan och låt produkten torka.
- Om du spillt bränsle på kläderna skall dessa bytas omedelbart.
- Se till att inte få bränsle på kroppen, det kan orsaka personskador. Om du får bränsle på kroppen ska du använda tvål och vatten för att ta bort bränslet.
- Starta inte produkten om motorn har en läcka. Undersök regelbundet om motorn läcker.
- Var försiktig med bränsle. Bränsle är brandfarligt och ångorna är explosiva och kan orsaka skador eller dödsfall.
- Undvik att andas in bränsleångor då det kan orsaka personskador. Se till att det finns tillräckligt luftflöde.
- Rök inte i närheten av bränslet eller motorn.
- Placera inga varma föremål i närheten av bränslet eller motorn.
- Fyll inte på bränsle när motorn är på.
- Se till att motorn har svalnat innan du fyller på bränsle.
- Innan du fyller på bränsle bör du öppna bränsletanklocket långsamt och försiktigt släppa på trycket.
- Fyll inte på bränsle i motorn inomhus. Otillräckligt luftflöde kan orsaka skador eller dödsfall på grund av kvävning eller kolmonoxidförgiftning.
- Dra åt bränsletanklocket ordentligt. Om bränsletanklocket inte dras åt ordentligt finns det en risk för brand.
- Flytta produkten minst 3 m från den plats där du fyllde på tanken innan du startar den.
- Fyll inte upp tanken helt. Värme gör att bränslet expanderar. Lämn lite plats längst upp på tanken.

Säkerhetsinstruktioner för underhåll



VARNING: Läs varningsinstruktionerna nedan innan du använder produkten.

- Motorns avgaser innehåller kolmonoxid, en luktlös, giftig och mycket farlig gas. Starta inte motorn inomhus eller i slutna utrymmen.
- Innan du utför underhåll på produkten ska du stänga av motorn och ta bort tändkabeln från tändstiftet.
- Använd skyddshandskar när du utför underhåll på skärutrustningen. Kniven är mycket vass och skärskadorna uppstår lätt.
- Tillbehör och ändringar av produkten som inte godkänts av tillverkaren kan orsaka allvarliga skador

- eller dödsfall. Modifiera inte produkten. Använd endast tillbehör som godkänts av tillverkaren.
- Om underhåll inte utförs korrekt och regelbundet ökar risken för personsador och skador på produkten.
 - Utför endast underhåll enligt anvisningarna i den här bruksanvisningen. All annan service måste utföras av en godkänd Husqvarna-serviceverkstad.

- Låt en godkänd Husqvarna-serviceverkstad utföra service på produkten regelbundet.
- Byt ut skadade, slitna och trasiga delar.

Montering

Introduktion



VARNING: Innan du monterar produkten måste du läsa igenom och förstå kapitlet om säkerhet.



VARNING: Avlägsna tändstiftskabeln från tändstiftet innan du monterar produkten.

Montera och justera handtaget

1. Ta bort handtagsmuttern och brickan från plattan på det övre handtaget.
2. Placera det övre handtaget i rätt läge på det undre handtaget.



OBSERVERA: Se till att ledningarna inte kläms eller skadas.

3. Fäst brickan och handtagsmuttern. (Fig. 17)
4. Vrid handtaget till sidan för en bättre position när du använder produkten nära en vägg. (Fig. 18)
5. Vrid justeringshjulen på chassit för att justera handtaget vertikalt. (Fig. 19)

Montera mulchingpluggen KLIPPO LB 448S, KLIPPO LB 548S e

1. Luta produkten bakåt med tändstiftet uppåt.
2. Sätt mulchingpluggens stift i hålen från insidan av klippkåpan. (Fig. 20)
3. Skruva i skruvarna till mulchingpluggen från utsidan av klippkåpan. (Fig. 21)

Drift

Introduktion



VARNING: Innan du använder produkten måste du läsa igenom och förstå kapitlet om säkerhet.

Husqvarna Connect

Husqvarna Connect är en kostnadsfri app för mobila enheter. Husqvarna Connect-appen utökar funktionerna för Husqvarna-produkten:

- Mer produktinformation.
- Information om, och hjälp med, produktdelar och service.

Börja använda Husqvarna Connect

1. Hämta Husqvarna Connect-appen på din mobila enhet.
2. Utför registreringen i Husqvarna Connect-appen.
3. Följ instruktionerna i Husqvarna Connect-appen för att ansluta och registrera produkten.

Innan du använder produkten

1. Läs igenom bruksanvisningen noggrant och se till att du förstår instruktionerna.
2. Undersök skärutrustningen för att se till att den är korrekt monterad och justerad. Se *Kontrollera skärutrustningen på sida 325*.
3. Fyll bränsletanken. Se *Fylla på bränsle på sida 322*.
4. Fyll oljetanken och kontrollera oljenivån. Se *Kontrollera oljenivån på sida 325*.

Fylla på bränsle

Använd miljöanpassad bensin/alkylatbensin om det finns. Om miljöanpassad bensin/alkylatbensin inte finns tillgänglig ska du använda blyfri bensin eller blyad bensin av hög kvalitet med ett oktantal på minst 90.



OBSERVERA: Använd inte bensin med ett oktantal lägre än 90 RON (87 AKI). Det kan orsaka skador på produkten.

1. Öppna tanklocket långsamt för att släppa på trycket.

- Fyll på långsamt med en bränsledunk. Om du spiller bränsle ska du ta bort det med en trasa och låta bensinresterna avdunsta.
- Torka rent runt bränsletanklocket.
- Dra åt bränsletanklocket ordentligt. Om bränsletanklocket inte dras åt ordentligt finns det en risk för brand.
- Flytta produkten minst tre meter från den plats där du fyllde på tanken innan du startar den.

Ställa in klipphöjden

Klipphöjden kan justeras i sex nivåer.

- Flytta klipphöjdsspaken framåt för att höja klipphöjden.
- Flytta klipphöjdsspaken bakåt för att sänka klipphöjden.



OBSERVERA: Ställ inte in för låg klipphöjd. Knivarna kan träffa marken om gräsmattans yta inte är plan.

Starta produkten

- Se till att tändkabeln är ansluten till tändstiftet.
- Öppna bränslekranen. (Fig. 22)
- Stå bakom produkten.
- Håll motorbromsbygeln mot handtaget. (Fig. 23)
- Håll i startsnörets handtag med höger hand.
- Dra långsamt i startsnöret tills du känner ett motstånd.
- Dra kraftigt för att starta motorn.



VARNING: Vira inte startsnöret runt handen.

Underhåll

Introduktion



VARNING: Innan du utför underhåll måste du läsa och förstå kapitlet om säkerhet.

För allt service- och reparationsarbete på produkten krävs särskild utbildning. Vi garanterar att du kan få en fackmannamässig reparation och service utförd. Om din återförsäljare inte är en serviceverkstad kan du tala med dem för information om närmaste serviceverkstad.



OBSERVERA: Dra inte ut startsnöret helt. Släpp inte startsnörets handtag när startsnöret är utdraget.

Använda drivningen på hjulen ()

- Tryck ner körspaken. (Fig. 24)
- Innan du drar produkten bakåt kopplar du ur drivningen och skjuter produkten framåt ca 10cm.
- Släpp motorbromsbygeln en liten bit för att koppla ur drivningen, t.ex. när du går nära ett hinder.

Stänga av produkten

- För att bara stoppa drivningen ska du släppa motorbromsbygeln en liten bit.
- För att stänga av motorn ska du släppa motorbromsbygeln helt.
- Stäng bränslekranen. (Fig. 25)

Få ett bra resultat

- Använd alltid en vass kniv. En slö kniv ger ett ojämnt resultat och gräsets snittyta blir gul. En vass kniv förbrukar mindre energi än en slö kniv.
- Klipp inte mer än en tredjedel av gräsets längd. Klipp först med hög klipphöjd. Undersök resultatet och sänk klipphöjden till en lämplig nivå. Om gräset är väldigt långt kan du köra sakta och klippa två gånger vid behov.
- Klipp i olika riktningar varje gång för att undvika ränder i gräsmattan.

Underhållsschema

Underhållsintervallen beräknas utifrån daglig användning av produkten. Intervallen ändras om produkten inte används dagligen.

För underhåll som markeras med * ska du se anvisningarna i *Säkerhetsanordningar på produkten på sida 320*.

Underhåll	Dagligen	Varje vecka	Varje månad
Utför en allmän inspektion	X		

Underhåll	Dagligen	Varje vecka	Varje månad
Kontrollera oljenivån	X		
Rengör produkten	X		
Rengör luftfiltret	X		
Kontrollera skärutrustningen	X		
Kontrollera klippkåpan*	X		
Kontrollera motorbromsbygeln*	X		
Kontrollera ljuddämparen*		X	
Kontrollera tändstiftet		X	
Kontrollera om drivremmen har skador			X
Rengör växelhuset			X
Byt ut oljan (första gången efter fem timmars användning, sedan efter var 25:e timmes användning och varje år)			X
Byt luftfilter			X
Kontrollera bränslesystemet			X
Kontrollera och justera drivningen (kopplingsvajer)			X

Allmän inspektion

- Se till att alla skruvar och muttrar på produkten är korrekt åtdragna.

Rengöra produkten utvändigt

- Använd en borste för att ta bort löv, gräs och smuts.
- Kontrollera att luftintaget på motorns ovansida inte är igentäppt.
- Undvik att använda högtrycksvätt när du rengör maskinen.
- Om du använder vatten för att rengöra produkten ska du inte spola vatten direkt på motorn.

Rengöra insidan av klippkåpan

1. Placera produkten på sidan med ljuddämparen nedåt.



OBSERVERA: Om produkten placeras med luftfiltret nedåt kan motorn skadas.

2. Spola av klippkåpens insida med vatten.

Inspektera drivremmen och rengöra växelhuset

1. Ta bort de fyra skruvarna på remkåpan och lyft bort remkåpan. (Fig. 26)
2. Inspektera om drivremmen och remhjulet har skador.

3. Använd en borste för att ta bort löv, gräs och smuts från växelhuset. (Fig. 27)

Byta ut och ställa in drivremmen

1. Ta bort de fyra skruvarna på remkåpan och lyft bort remkåpan. (Fig. 26)
2. Sätt in en platt skruvmejsel mellan navkapseln och hjulet på produktens högra framhjul.
3. Vrid skruvmejseln försiktigt för att ta bort navkapseln.
4. Lossa hjulbulten och ta av hjulet. (Fig. 28)
5. Ta bort drivremmen från remhjulen.
6. Se till att remhjulen löper lätt på axeln.
7. Spraya vid behov rostlösare mellan och bakom remhjulen och smörj axeln.
8. Installera en ny drivrem och fäst den ordentligt i kullagret innan du justerar drivremmen. (Fig. 29)
9. Flytta kullagret uppåt eller nedåt för att justera drivremmen. (Fig. 30)

Notera: En ny drivrem blir längre efter användning. Justera drivremmen igen efter några timmars drift.

10. Montera remkåpan.
11. Använd produkten för att se till att drivremmen är rätt monterad och inställd.

Byta ut och ställa in mellanremmen

1. Tag bort kniven.

Notera: Det här steget är inte nödvändigt om du bara justerar mellanremmen.

2. Lossa justerskruvarna några varv, men ta inte bort dem. (Fig. 31)
3. Byt ut mellanremmen och dra åt justerskruvarna något.

Notera: Det här steget är inte nödvändigt om du bara justerar mellanremmen.

4. Flytta drevet framåt eller bakåt för att justera mellanremmen. (Fig. 32)
5. Använd en krokväg för att undersöka mellanremmens spänning. Remmen är korrekt spänd när den kan flyttas 6–10 mm i mitten. Det är lika med en dragkraft på 3 kg. (Fig. 33)
6. Dra åt justerskruvarna helt med ett moment på 3 Nm.
7. Använd produkten för att se till att drivremmen är rätt monterad och inställd.

Kontrollera skärutrustningen



VARNING: För att förhindra oavsiktlig start ska du ta bort tändkabeln från tändstiftet.



VARNING: Använd skyddshandskar när du utför underhåll på skärutrustningen. Kniven är mycket vass och skärskador uppstår lätt.

1. Kontrollera så att skärutrustningen inte är skadad eller har sprickor. Byt alltid ut skadad skärutrustning.
2. Titta på kniven för att se om den är skadad eller slö.

Notera: Kniven måste balanseras när den har slipats. Låt en serviceverkstad slipa, byta och balansera kniven. Om du träffar ett hinder som gör att produkten stannar ska du byta ut den skadade kniven. Låt serviceverkstaden bedöma om kniven kan slipas eller måste ersättas.

Byta knivar

1. Läs kniven med en träbit. (Fig. 34)
2. Ta bort knivbulten, fjäderbrickan och kniven. (Fig. 35)
3. Kontrollera om knivstödet och knivbulten har skador.
 - a) Om du byter ut kniven eller knivstödet ska du också byta ut knivbulten, fjäderbrickan och friktionsbrickan.

4. Kontrollera motoraxeln för att se till att den inte är böjd.
5. När du monterar den nya kniven ska du rikta knivens böjda ändar mot klippkåpan. (Fig. 36)
6. Lägga friktionsbrickan och kniven mot knivstödet. (Fig. 37)
7. Se till att kniven är i linje med motoraxelns mitt. (Fig. 38)
8. Läs kniven med en träbit. (Fig. 39)
9. Montera fjäderbrickan och dra åt bulten med ett vridmoment på 80 Nm. (Fig. 40)
10. Dra runt kniven för hand och se till att den roterar fritt.



VARNING: Använd skyddshandskar. Kniven är mycket vass och skärskador uppstår lätt.

11. Starta produkten för att testa kniven. Om kniven inte är korrekt monterad känner du vibrationer i produkten eller så är klipprisultat otillfredsställande.

Kontrollera oljenivån



OBSERVERA: För låg oljenivå kan orsaka allvarliga motorskador. Kontrollera oljenivån innan du startar produkten.

1. Ställ produkten på plan mark.
2. Stäng bränslekranen.
3. Ta bort oljetankklocket med mätstickan.
4. Torka av oljan från mätstickan.
5. Sätt in mätstickan i oljetanken men dra inte åt tankklocket.
6. Ta bort mätstickan.
7. Kontrollera oljenivån på mätstickan.
8. Om oljenivån är låg ska du fylla på med motorolja och kontrollera oljenivån igen. Oljenivån är korrekt när den når den övre markeringen på mätstickan.

Byta motorolja



VARNING: Motorolja är mycket het direkt efter att motorn stoppats. Låt motorn svalna innan du tappar ur motoroljan. Om du spiller olja på huden ska du rengöra med tvål och vatten.

1. Använd produkten tills bränsletanken är tom.
2. Ta bort tändkabeln från tändstiftet.
3. Ta bort oljetankklocket.
4. Ställ en behållare under produkten att samla upp motoroljan i.
5. Luta enheten för att tappa ur motoroljan från oljetanken.

6. Fyll på ny motorolja av den typ som rekommenderas i *Tekniska data på sida 327*.
7. Kontrollera oljenivån. Se *Kontrollera oljenivån på sida 325*.

Rengöra luftfiltret



OBSERVERA: Kör aldrig motorn utan monterat luftfilter eller om luftfiltret är smutsigt.



OBSERVERA: Byt luftfiltret om det inte blir helt rent eller om det är skadat. Ett defekt luftfilter leder till skador på motorn.

1. Tryck på spärrflikarna (A), ta bort luftfilterkåpan (B) och ta bort luftfiltret (C). (Fig. 41)
2. Slå luftfiltret mot en hård yta eller blås tryckluft genom luftfiltret från den rena sidan av luftfiltret.



OBSERVERA: Använd inte en borste för att ta bort smuts eftersom smutsen då trycks in i luftfiltret.

3. Rengör luftfilterhållaren (D) och luftfilterkåpan lock med en fuktig trasa.



OBSERVERA: Se till att ingen smuts kommer in i luftkanalen (E).

4. Montera luftfiltret. Se till att luftfiltret ligger helt tätt mot luftfilterhållaren.
5. Montera luftfilterkåpan med de nedre flikarna först.

Så undersöker du tändstiftet



OBSERVERA: Använd alltid rekommenderad tändstiftstyp. Fel typ av tändstift kan orsaka skador på produkten.

- Undersök tändstiftet om motorn har låg effekt, är svår att starta eller inte fungerar korrekt vid tomgångsvarvtal.
- Följ dessa instruktioner om du vill minska risken för oönskat material på tändstiftets elektroder:
 - a) Se till att tomgångsvarvtalet är korrekt justerat.
 - b) Se till att bränsleblandningen är korrekt.
 - c) Se till att luftfiltret är rent.
- Om tändstiftet är smutsigt rengör du det och ser till att elektrodavståndet är korrekt, se *Tekniska data på sida 327*. (Fig. 42)
- Byt ut tändstiftet vid behov.

Kontrollera bränslesystemet

- Kontrollera bränsletanklocket och tätningen till bränsletanklocket för att se till att det inte finns några skador.
- Kontrollera bränsleslangen för att se till att inget läckage förekommer. Om bränsleslangen är skadad ska du låta en serviceverkstad byta ut den.

Justera kopplingsvajern

Om drivningen känns långsam måste kopplingsvajern justeras.

- Vrid justerskruven. (Fig. 43)

Kopplingsvajern är korrekt justerad när kopplingsvajerns hållare är i linje med muttern.

(Fig. 44)

Transport, förvaring och kassering

Transport och förvaring

- Vid förvaring och transport av produkten och bränslet ska du se till att det inte förekommer något läckage eller avgaser. Gnistor eller öppen eld, t.ex. från elektriska apparater eller pannor, kan orsaka brand.
- Använd alltid godkända behållare för transport och förvaring av bränsle.
- Töm bränsletanken innan du placerar produkten för förvaring under en längre tid. Kassera bränslet på lämplig anvisad plats
- Fäst produkten ordentligt under transport för att förhindra skador och olyckor.

- Förvara produkten i ett låst utrymme för att förhindra åtkomst för barn eller personer som inte är behöriga.
- Förvara produkten på en torr och frostfri plats.

Kassering

- Följ lokala återvinningsbestämmelser och tillämpliga förordningar.
- Kassera alla kemikalier, som olja och bränsle, vid en serviceverkstad eller på lämplig anvisad plats.
- När produkten inte längre används ska du skicka den till en Husqvarna-återförsäljare eller lämna den till en återvinningsstation.

Tekniska data

Tekniska data

	KLIPPO LB 448S	KLIPPO LB 453S	KLIPPO LB 548S e
Motor			
Varumärke	Honda	Honda	Honda
Slagvolym, cm ³	145	166	166
Varvtal, varv/min	2 900	2 900	2 900
Nominell motoreffekt, kW ¹²⁶	2,7	3,3	3,3
Tändsystem			
Tändstift	NGK BPR5ES	NGK BPR5ES	NGK BPR5ES
Elektroddgap, mm	0,7–0,8	0,7–0,8	0,7–0,8
Bränsle-/smörjsystem			
Volym bensintank, liter	0,9	0,9	0,9
Volym oljetank, liter	0,55	0,5	0,55
Motorolja ¹²⁷	SAE 10W-30	SAE 10W-30	SAE 10W-30
Vikt			
Med tomma tankar, kg	30,5	33	32,5
Bulleremissioner ¹²⁸			
Ljudeffektnivå, uppmätt dB(A)	90	91	90
Ljudeffektnivå, garanterad L _{WA} dB(A)	91	94	91
Ljudnivåer ¹²⁹			
Ljudtrycksnivå vid användarens öra, dB(A)	77	78	78
Vibrationsnivåer, a_{hveq} ¹³⁰			
Handtag, m/s ²	4,5	5,3	4,8
Skärutrustning			
Klipphöjd, mm	30–60	30–60	30–60

¹²⁶ Motorns angivna märkeffekt är medelvärde för nettoeffekten (vid det specificerade varvtalet) hos en typisk produktionsmotor för den motormodell som mätts enligt SAE-standard J1349/ISO1585. Massproducerade motorer kan avvika från detta värde. Den faktiska effekten hos den motor som är installerad i slutprodukten kommer att bero på driftshastigheten, omgivningens egenskaper och andra faktorer.

¹²⁷ Använd motorolja av kvalitet SG–SH. Se viskositetsdiagrammet i motortillverkarens bruksanvisning och välj den bästa viskositeten baserat på förväntad utomhustemperatur.

¹²⁸ Emission av buller till omgivningen uppmätt som ljudeffekt (L_{WA}) enligt EG-direktiv 2000/14/EG.

¹²⁹ Ljudtrycksnivå enligt ISO 5395. Redovisade data för ljudtrycksnivå har ett typiskt spridningsmått (standardavvikelse) på 1,2 dB(A).

¹³⁰ Vibrationsnivå enligt ISO 5395. Rapporterade data för vibrationsnivå har en typisk statistisk spridning (standardavvikelse) på 0,2 m/s².

	KLIPPO LB 448S	KLIPPO LB 453S	KLIPPO LB 548S e
Klippbredd, mm	480	530	480
Kniv	Mulch – 48 cm	Mulch – 53 cm	Mulch – 48 cm
	5028813-10	5028814-10	5028813-10
Drivning			
Hastighet, km/h	4,5	4,5	4,5

EG-försäkran om överensstämmelse

EG-försäkran om överensstämmelse

Husqvarna AB, 561 82 Huskvarna, Sverige, tel:
+46-36-146500, försäkrar härmed att **gräsklipparna**
Husqvarna KLIPPO LB 448S, KLIPPO LB 453S,
KLIPPO LB 548S e från serienummer 2020xxxxxxx och
framåt uppfyller kraven i RÅDETS DIREKTIV:

- av den 17 maj 2006 "angående maskiner" **2006/42/EG**
- av den 26 februari 2014 "angående elektromagnetisk kompatibilitet" **2014/30/EU**
- av den 8 maj 2000 "angående emission av buller i miljön" **2000/14/EG**
- av den 8 juni 2011 angående "begränsning av användning av vissa farliga ämnen i elektrisk och elektronisk utrustning" **2011/65/EU**

Information om bulleremissioner finns i avsnittet
Tekniska data.

Följande standarder har tillämpats:

EN ISO 5395-1, EN ISO 5395-2, EN ISO 5395-2 Amd1,
EN ISO 5395-2 Amd 2, EN 55012, EN 50581:2012

Om inte annat anges är ovan angivna standarder de
senast offentliggjorda versionerna.

Anmäلت organ: **0404, RISE SMP Svensk Maskinprovning**
AB, Box 7035, SE-750 07 Uppsala har utfärdat rapporter
om bedömning av överensstämmelse enligt bilaga VI till
RÅDETS DIREKTIV av den 8 maj 2000 angående
emissioner av buller till omgivningen, 2000/14/EG.

Huskvarna, 2020-09-16



Claes Losdal, utvecklingschef/trädgårdsprodukter
(auktoriserad representant för Husqvarna AB samt
ansvarig för tekniskt underlag)

İçindekiler

Giriş.....	330	Bakım.....	335
Güvenlik.....	331	Taşıma, depolama ve atma.....	338
Montaj.....	334	Teknik veriler.....	339
Çalışma.....	334	AT Uyumluluk Bildirimi.....	341

Giriş

Ürün açıklaması

Ürün, çimleri gübre olacak şekilde kesmek için BioClip® kullanan yaya kumandalı bir döner çim biçme makinesidir.

Ürüne genel bakış

(Şek. 1)

1. Kol/gidon
2. Motor fren kolu
3. Tahrik kolu
4. Çalıştırma ipi kolu
5. Yağ kapağı
6. Kayış koruyucusu
7. Susturucu
8. Buji
9. Kayış koruyucusu
10. Yakıt tankı
11. Tutma yeri açısının ayarı için kol
12. Titreşim azaltma sistemi
13. Kavrama kablosu ayarı
14. Alt kol
15. Kesme yüksekliği kolu
16. Yakıt valfi
17. Hava filtresi
18. Kesme kapağı
19. Yaylı rondela
20. Bıçak civatası
21. Bıçak
22. Bıçak desteği
23. Malç tapası (KLIPPO LB 448S, KLIPPO LB 548S e)
24. Kullanım kılavuzu

Ürün üzerindeki semboller

(Şek. 2) UYARI: Dikkatsiz ya da yanlış kullanım, operatörün veya başkalarının yaralanmasına veya ölmesine neden olabilir.

(Şek. 3) Lütfen kullanım kılavuzunu dikkatle okuyun ve kullanımdan önce talimatları anladığınızdan emin olun.

Kullanım amacı

Ürünü çim biçmek için kullanın. Ürünü başka işler için kullanmayın.

(Şek. 4) Atılan nesnelere ve seken cisimlere dikkat edin.

(Şek. 5) İnsanları ve hayvanları çalışma alanından güvenli bir uzaklıkta tutun.

(Şek. 6) Onarım veya bakım işlemlerinden önce motoru durdurun ve ateşleme kablosunu çıkarın.

(Şek. 7) Uyarı: El ve ayaklarınızı döner parçalardan uzak tutun.

(Şek. 8) Uyarı: El ve ayaklarınızı döner bıçaktan uzak tutun.

(Şek. 9) Bu ürün geçerli AT direktiflerine uygundur.

(Şek. 10) Avrupa Direktifi 2000/14/AT ve Yeni Güney Galler mevzuatı "Çevre Koruma Operasyonları (Gürültü Kontrolü) Yönetmeliği 2017" uyarınca çevreye yayılan gürültü emisyonu. Gürültü emisyonu verileri makine etiketinde ve Teknik veriler bölümünde bulunabilir.

(Şek. 11) Taranabilir kod.

Not: Ürünün üzerindeki diğer semboller/etiketler, bazı ticari alanların sertifikalandırma gereklilikleri ile ilgilidir.

Ürün üzerindeki etiket, sadece Avustralya ve Yeni Zelanda için geçerlidir

(Şek. 12)

El ve ayaklarınızı döner bıçaktan uzak tutun.

Avrupa V Emisyonları



UYARI: Motorun kurcalanması bu ürünün AB tip onayını geçersiz kılar.

Ürün sorumluluğu

Ürün sorumluluğu yasalarında belirtildiği üzere;

Güvenlik

Güvenlik tanımları

Kılavuzdaki önemli kısımları vurgulamak için uyarılar ve notlar kullanılmıştır.



UYARI: Kılavuzdaki talimatlara uyulmadığı takdirde operatör veya çevredeki kişiler için ciddi yaralanma veya ölüm tehlikesi varsa kullanılır.



DİKKAT: Kılavuzdaki talimatlara uyulmadığı takdirde ürünün, diğer malzemelerin veya çevrenin zarar görme riski olduğunda kullanılır.

Not: Belirli bir durumda bilgi verilmesi gerektiğinde kullanılır.

Genel güvenlik talimatları



UYARI: Ürünü kullanmadan önce aşağıdaki uyarı talimatlarını okuyun.

- Bu ürün yanlış kullanıldığında veya dikkatli olmazsanız tehlikelidir. Güvenlik talimatlarına uyulmaması yaralanmalara veya ölüme yol açabilir.
- Bu ürün, çalışırken elektromanyetik bir alan oluşturur. Bu alan, bazı koşullarda aktif veya pasif tıbbi implantlarda girişime neden olabilir. Ciddi veya ölümcül yaralanma riskini azaltmak için tıbbi implantı olan kişilerin, bu ürünü kullanmadan önce doktorlarına ve tıbbi implant üreticilerine danışmalarını öneririz.
- Her zaman dikkatli olun ve sağduyunuzu kullanın. Özel bir durumda aracı nasıl kullanacağınızdan emin değilseniz durun ve devam etmeden önce Husqvarna yetkili satıcınızla görüşün.
- Diğer insanları veya bu insanlara ait mülkleri içeren kazalardan operatörün sorumlu tutulacağını unutmayın.
- Ürünü temiz tutun. İşaretleri ve etiketleri net bir şekilde okuyabildiğinizden emin olun.

- ürünün hatalı bir şekilde onarılması,
- ürünün, üretici tarafından onaylanmayan veya üreticiden alınmayan parçalarla tamir edilmesi,
- üründe, üreticiden alınmayan veya üretici tarafından onaylanmayan bir aksesuar bulunması,
- ve ürünün, onaylı bir servis merkezinde veya yetkili bir kurum tarafından tamir edilmemesi durumunda oluşabilecek hasarlardan sorumlu değiliz.

- Kullanım kılavuzunun içindekileri okuyup anladığınızdan emin olmadan kimsenin ürünü kullanmasına izin vermeyin.
- Ürünü, bir çocuğun kullanmasına izin vermeyin.
- Çocukları çalışma alanından uzakta tutun. Sorumluluk sahibi bir yetişkin her zaman orada olmalıdır.
- Talimatlar hakkında bilgisi olmayan birinin ürünü kullanmasına izin vermeyin.
- Fiziksel veya zihinsel kapasitesi düşük olan bir kişi ürünü kullanırken bu kişiyi daima gözetim altında tutun. Sorumluluk sahibi bir yetişkin her zaman orada olmalıdır.
- Ürünü yorgun, hasta veya alkol ya da ilaç etkisi altındayken kullanmayın. Bu durum görüş, dikkat, koordinasyon ve doğru bir şekilde düşünmenizi olumsuz yönde etkiler.
- Arızalıysa ürünü kullanmayın.
- Başkaları tarafından değiştirilmiş olma olasılığı varsa bu ürünü değiştirmeyin veya kullanmayın.
- Motor devir kontrolü ayarını değiştirmeyin.

Çalışma alanı güvenliği



UYARI: Ürünü kullanmadan önce aşağıdaki uyarı talimatlarını okuyun.

- Ürünü kullanmadan önce çalışma alanındaki dal, çalı çırpı ve taş gibi nesnelere alın.
- Kesme donanımına çarpan nesnelere fırlatılarak kişi ve nesnelere zarar görmesine neden olabilir. Etraftaki insanları ve hayvanları üründen güvenli bir uzaklıkta tutun.
- Ürünü sis, yağmur, kuvvetli rüzgar, şiddetli soğuk ve yıldırım düşmesi riski gibi olumsuz hava koşullarında hiçbir zaman kullanmayın. Ürünü olumsuz hava koşullarında veya nemli ya da ıslak yerlerde kullanmak yorucudur. Kötü hava, kaygan yüzeyler gibi tehlikeli koşullara neden olabilir.
- Ürünün güvenli bir şekilde çalışmasını önleyebilecek kişi, nesne ve durumlara dikkat edin.
- Kök, taş, çalı çırpı, çukur, hendek gibi engellere dikkat edin. Uzun çim nesnelere saklayabilir.
- Eğimli yerlerde çim kesmek tehlikeli olabilir. Ürünü 15°'den daha eğimli zeminlerde kullanmayın.

- Yokuşlarda ürünü yatay olarak kullanın. Yukarı ve aşağı hareket ettirmeyin.
- Gizli köşelere ve açık görüşü engelleyen nesnelere yanına giderken dikkatli olun.

Çalışma güvenliği



UYARI: Ürünü kullanmadan önce aşağıdaki uyarı talimatlarını okuyun.

- Bu ürünü yalnızca çimenlik alanlarda çim kesmek için kullanın. Ürünün başka işler için kullanılması yasaktır.
- Kişisel koruyucu araçlar kullanın. Bkz. *Kişisel koruyucu ekipman sayfa: 332*.
- Acil bir durumda motoru hızlı bir şekilde nasıl kapatacağınızı öğrenin.
- Ürünü hiçbir zaman kapalı yerlerde veya yanıcı maddelerin yakınında çalıştırmayın. Motordan çıkan egzoz dumanları sıcaktır ve yangın çıkmasına neden olabilecek kıvılcımlar içerebilir.
- Bıçağı ve tüm kapakları doğru bir şekilde takmadan ürünü çalıştırmayın. Yanlış bir şekilde takılan bıçak gevşeyerek yaralanmanıza neden olabilir.
- Bıçağın taş veya kök gibi nesnelere çarpmasına dikkat edin. Bu, bıçağa zarar verebilir ve motor milini bükebilir. Bükülmüş aks, ağır titreşime ve çok yüksek bir bıçak gevşemesi riskine neden olabilir.
- Bıçak bir cisme çarpır veya titreşim oluşursa ürünü hemen durdurun. Ateşleme kablosunu bujiden ayırın. Üründe hasar olup olmadığını kontrol edin. Hasarları onarın veya yetkili bir servis noktasının onarım yapmasını sağlayın.
- Motor çalıştırıldığında motor fren kolunu hiçbir zaman sürekli olarak kola takmayın.
- Ürünü sabit ve düz bir yüzeye koyup çalıştırın. Bıçağın yere veya diğer cisimlere çarpmadığından emin olun.
- Ürünü çalıştırırken her zaman arkasında durun.
- Ürünü kullanırken tüm tekerleklerin yere basmasını sağlayın ve 2 elinizi kolun üzerinde tutun. Ellerinizi ve ayaklarınızı döner bıçaklardan uzakta tutun.
- Motor çalışırken ürünü yatırmayın.
- Ürünü arkaya doğru çekerken dikkatli olun.
- Motor çalışırken ürünü hiçbir zaman yukarı kaldırmayın. Ürünü kaldırmamız gerekirse önce motoru durdurun ve ateşleme kablosunu bujiden ayırın.
- Ürünü kullanırken arkaya doğru yürümeyin.
- Çakıl, taş ve asfalt gibi malzemelerden yapılmış, çim olmayan alanlardan geçerken motoru durdurun.
- Motor çalışırken ürünle birlikte koşmayın. Ürünü kullanırken her zaman yürüyün.
- Kesme yüksekliğini değiştirmeden önce motoru durdurun. Motor çalışırken asla ayarlama yapmayın.
- Motor çalışırken ürünün hiçbir zaman görüş alanından çıkmasına izin vermeyin. Motoru durdurun ve kesme donanımının dönmediğinden emin olun.

Kullanım için güvenlik talimatları

Kişisel koruyucu ekipman



UYARI: Ürünü kullanmadan önce aşağıdaki uyarı talimatlarını okuyun.

- Kişisel koruyucu ekipmanlar yaralanma riskini tamamen engelleyemez ancak bir kaza durumunda yaralanmanın derecesini azaltır. Bayinizin doğru ekipmanı seçmenize yardımcı olmasını sağlayın.
- Gürültü düzeyi 85 dB'den fazlaysa kulaklık koruma ekipmanı kullanın.
- Ağır hizmet tipi kaymayan botlar veya ayakkabılar kullanın. Açık ayakkabılar giymeyin veya çıplak ayakla yürümeyin.
- Kalın, uzun pantolonlar giyin.
- Kesme donanımını takma, kontrol etme veya temizleme gibi gerekli durumlarda koruyucu eldivenler kullanın.

Ürünün üzerindeki güvenlik aletleri



UYARI: Ürünü kullanmadan önce aşağıdaki uyarı talimatlarını okuyun.

- Güvenlik araçları arızalı olan bir ürünü kullanmayın.
- Güvenlik araçlarını düzenli olarak kontrol edin. Güvenlik araçları arızalıysa Husqvarna servis noktanızla görüşün.

Kesme kapağını kontrol etme

Kesme kapağı, üzerindeki titreşimleri ve bıçakla yaralanma riskini azaltır.

- Çatlak gibi hasarlar olmadığından emin olmak için kesme kapağını inceleyin.

Kayış koruyucusunu kontrol etme

Kayış koruyucusu, yaralanma riskini azaltır ve kopan hareket kayışının fırlamasını önler.

- Kayış koruyucusunda hasar olmadığından ve doğru şekilde takıldığından emin olun. (Şek. 13)

Kayış koruyucusunu kontrol etme

Kayış koruyucusu, yaralanma riskini azaltır ve kopan hareket kayışının fırlamasını önler.

- Kayış koruyucusunda hasar olmadığından ve doğru şekilde takıldığından emin olun. (Şek. 14)

Motor fren kolu

Motor fren kolu, motoru durdurur. Motor fren kolu bırakıldığında motor durur.

Motor freninde inceleme yapmak için motoru çalıştırıp motor fren kolunu serbest bırakın. Motor 3 saniye içinde

durmazsa motor frenini onaylı Husqvarna servis noktasına ayarlatın.

(Şek. 15)

Titreşim azaltma sistemini kontrol etme



UYARI: Titreşime aşırı ölçüde maruz kalmak, dolaşım bozukluğu olan kişilerde dolaşım veya sinir sistemi hasarına yol açabilir. Titreşime aşırı maruz kalma belirtileri gösteriyorsanız tıbbi yardım alın. Bu belirtiler arasında uyuşma, his kaybı, karıncalanma, iğnelenme, acı, güç kaybı, cilt renginde veya durumunda değişiklik bulunmaktadır. Bu belirtiler çoğunlukla parmaklarda, ellerde veya bileklerde ortaya çıkar.

Titreşim azaltma sistemi, çalışma sırasında tutma yerindeki titreşimi azaltır.

Kesme kapağı ve gidondaki çelik boru, titreşimi azaltır. KLIPPO LB 548S e modelinde ayrıca gidona takılı 4 adet titreşim azaltma birimi vardır.

- Gidonu ve titreşim azaltma birimlerini kontrol edip hasarlı olmadıklarından emin olun. (Şek. 16)

Bıçak desteği

Bıçak desteği, motor mili eğilmesi riskini azaltır. Bıçak, bir nesneye çarparsa bıçak desteğine doğru hareket eder. Hareket, bıçak desteği yüzeyinde aşınmaya neden olur. Aşınma, motor mili korumasının doğru şekilde çalıştığını gösterir.

Susturucu

Susturucu, gürültü düzeyini minimum seviyede tutar ve egzoz dumanlarını operatörden uzağa gönderir.

Susturucu yoksa veya arızalıysa ürünü kullanmayın. Arızalı bir susturucu, gürültü düzeyini ve yangın riskini artırır.



UYARI: Susturucu kullanım sırasında, kullanım sonrasında ve motor rölantide çalışırken çok sıcak olur. Yangını önlemek için yanıcı malzemelerin ve/veya dumanların yakınında dikkatli olun.

Susturucuyu kontrol etme

- Düzgün takıldığından ve hasarlı olmadığından emin olmak için susturucuyu düzenli olarak kontrol edin.

Yakıt güvenliği



UYARI: Ürünü kullanmadan önce aşağıdaki uyarı talimatlarını okuyun.

- Ürünün üzerinde yakıt veya motor yağı varsa ürünü çalıştırmayın. İstenmeyen yakıtı/yağı temizleyin ve ürünün kurumasını bekleyin.
- Kıyafetlerinize yakıt bulaşırsa kıyafetlerinizi hemen değiştirin.
- Vücudunuza yakıt bulaştırmayın; bu, yaralanmaya sebep olabilir. Vücudunuza yakıt bulaşırsa yakıtı temizlemek için su ve sabun kullanın.
- Motorda sızıntı varsa ürünü çalıştırmayın. Motorda sızıntı olup olmadığını düzenli olarak kontrol edin.
- Yakıtla uğraşırken dikkatli olun. Yakıt yanıcı ve dumanlar patlayıcıdır; yaralanmalara veya ölüme sebep olabilir.
- Yaralanmaya sebep olabileceğinden yakıt dumanının solumayın. Yeterli hava akışı olduğundan emin olun.
- Yakıtın veya motorun yakınında sigara içmeyin.
- Yakıtın veya motorun yakınına sıcak nesnelere koymayın.
- Motor açıkken yakıt eklemeyin.
- Yakıtı yenilemeden önce motorun soğuduğundan emin olun.
- Yakıtı yenilemeden önce yakıt tankı kapağını yavaşça açın ve basıncı dikkatlice tahliye edin.
- Kapalı bir alanda motora yakıt eklemeyin. Nefessiz kalma veya karbon monoksit nedeniyle yeterli hava akışının olmaması yaralanmaya veya ölüme sebep olabilir.
- Yakıt tankı kapağını tamamen sıkın. Yakıt tankı kapağı sıkılmamışsa yangın riski vardır.
- Çalıştırmadan önce ürünü, yakıt tankının doldurduğunuz konumdan en az 3 m/10 ft uzağa taşıyın.
- Yakıt tankını tamamen doldurmayın. Isı yakıtın genleşmesine neden olur. Yakıt tankının üst kısmında boşluk bırakın.

Bakım için güvenlik talimatları



UYARI: Ürünü kullanmadan önce aşağıdaki uyarı talimatlarını okuyun.

- Motordan gelen egzoz dumanı kokusuz, zehirli ve son derece tehlikeli bir gaz olan karbon monoksit içerir. Motoru iç mekanlarda veya kapalı alanlarda çalıştırmayın.
- Ürün üzerinde bakım yapmadan önce motoru durdurup ateşleme kablosunu bujiden çıkarın.
- Kesme donanımı üzerinde bakım yaparken koruyucu eldiven kullanın. Bıçak çok keskindir ve kolaylıkla kesiklere yol açabilir.
- Üretici tarafından onaylanmamış aksesuarlar ve ürün değişiklikleri, ciddi yaralanmalara veya ölüme neden olabilir. Ürünü değiştirmeyin. Her zaman üretici tarafından onaylanmış aksesuarları kullanın.
- Bakım işlemi doğru ve düzenli şekilde yapılmadığı takdirde yaralanma ve ürün hasarı riski artar.

- Bakım işlemini yalnızca kullanıcı kılavuzunda belirtildiği şekilde gerçekleştirin. Diğer tüm servis ve bakım işlemleri, onaylı Husqvarna servis noktası tarafından yapılmalıdır.

- Ürün üzerindeki servis işlemlerini düzenli olarak Husqvarna servis noktasına yaptırın.
- Hasarlı, aşınmış ya da kırık parçaları değiştirin.

Montaj

Giriş



UYARI: Ürünü monte etmeden önce güvenlik bölümünü okuyup anlamalısınız.



UYARI: Ürünün montajını yapmadan önce buji kablosunu bujiden çıkarın.

Tutma yerini monte etme ve ayarlama

1. Tutma yeri somununu ve rondelayı üst tutma yerindeki plakadan çıkarın.
2. Üst tutma yerini alt tutma yerinin üzerine yerleştirin.



DİKKAT: Kabloların takılmadığından veya hasar görmediğinden emin olun.

3. Rondelayı ve tutma yeri somununu takın. (Şek. 17)
4. Ürünü duvar yakınında çalıştırdığınızda iyi bir çalıştırma konumu için tutma yerini yana çevirin. (Şek. 18)
5. Tutma yerini dikey olarak ayarlamak için gövde üzerindeki ayar tekerlerini çevirin. (Şek. 19)

Malç tapasını monte etme KLIPPO LB 448S, KLIPPO LB 548S e

1. Buji yukarıda olacak şekilde ürünü geriye doğru eğin.
2. Malç tapasının pimlerini kesme kapağının iç tarafından deliklere doğru yerleştirin. (Şek. 20)
3. Malç tapasının vidalarını kesme kapağının dış tarafından takın. (Şek. 21)

Çalışma

Giriş



UYARI: Ürünü kullanmadan önce güvenlik bölümünü okuyup anlamalısınız.

Husqvarna Connect

Husqvarna Connect, mobil cihazınız için ücretsiz bir uygulamadır. Husqvarna Connect uygulaması, Husqvarna ürününüz için ayrıntılı işlevler sunar:

- Ayrıntılı ürün bilgileri.
- Ürün parçaları ve servis hakkında bilgi ve yardım.

Husqvarna Connect uygulamasını kullanmaya başlamak için

1. Husqvarna Connect uygulamasını mobil cihazınıza indirin.
2. Husqvarna Connect uygulamasında kaydolun.
3. Ürünü bağlamak ve kaydettirmek için Husqvarna Connect uygulamasındaki talimatları izleyin.

Ürünü çalıştırmadan önce

1. Kullanım kılavuzunu dikkatle okuyun ve talimatları anladığınızdan emin olun.

2. Doğru bir şekilde takılıp ayarlandığından emin olmak için kesme donanımını inceleyin. Bkz. *Kesme donanımını kontrol etme sayfa: 337.*
3. Yakıt tankını doldurun. Bkz. *Yakıt doldurma sayfa: 334.*
4. Yağ tankını doldurun ve yağ seviyesini kontrol edin. Bkz. *Yağ seviyesini kontrol etme sayfa: 337.*

Yakıt doldurma

Varsa, düşük emisyonlu/alkilat benzin kullanın. Düşük emisyonlu/alkilat benzin yoksa kaliteli kurşunsuz benzin veya oktan numarası 90'ın altında olmayan kurşunlu benzin kullanın.



DİKKAT: Oktan numarası 90 RON (87 AKI) değerinin altında olan benzin kullanmayın. Bu, üründe hasara neden olabilir.

1. Basıncı tahliye etmek için yakıt tankı kapağını yavaşça açın.
2. Yakıt bidonuyla yavaşça doldurun. Yakıt dökerseniz bezle silin ve kalan yakıtı kurumaya bırakın.
3. Yakıt tankı kapağının çevresini temizleyin.
4. Yakıt tankı kapağını tamamen sıkın. Yakıt tankı kapağı sıkılmamışsa yangın riski vardır.

5. Çalıştırmadan önce ürünü, yakıt tankını doldurduğunuz konumdan en az 3 m (10 ft) uzağa taşıyın.

Kesme yüksekliğini ayarlama

Kesme yüksekliği 6 seviyede ayarlanabilir.

1. Kesme yüksekliğini artırmak için kesme yüksekliği kolunu öne getirin.
2. Kesme yüksekliğini azaltmak için kesme yüksekliği kolunu arkaya getirin.



DİKKAT: Kesme yüksekliğini çok alçakta belirlemeyin. Çimenlik alanın yüzeyi düz değilse bıçaklar yere çarpabilir.

Ürünü çalıştırma

1. Ateşleme kablosunun bujiye bağlandığından emin olun.
2. Yakıt valfini açın. (Şek. 22)
3. Ürünün arkasında durun.
4. Motor fren kolunu tutma çubuğunun karşısında tutun. (Şek. 23)
5. Çalıştırma ipinin kolunu sağ elinizle tutun.
6. Çalıştırma ipini bir miktar direnç hissedene kadar yavaşça çekin.
7. Motoru çalıştırmak için kuvvetlice çekin.



UYARI: Çalıştırma ipini elinize dolamayın.



DİKKAT: Çalıştırma ipini tamamen uzatmayın. Çalıştırma ipi çekilmiş durumdayken çalıştırma ipi kolunu serbest bırakmayın.

Tekerleklerde tahrikin kullanılması

- Tahrik kolunu aşağı itin. (Şek. 24)
- Ürünü geriye doğru çekmeden önce tahriki devre dışı bırakın ve ürünü yaklaşık 10cm ileri itin.
- Örneğin bir engele yaklaştığınızda tahriki devre dışı bırakmak için motor freni kolunu kısa bir mesafe serbest bırakın.

Ürünü durdurma

- Sadece tahriki durdurmak için motor freni kolunu kısa bir mesafe serbest bırakın.
- Motoru durdurmak için motor freni kolunu tamamen serbest bırakın.
- Yakıt valfini kapatın. (Şek. 25)

İyi sonuç alma

- Her zaman keskin bıçak kullanın. Kör bıçak, düzensiz bir sonuç verir ve çimin kesme yüzeyi sarı olur. Ayrıca keskin bıçak kör bıçaktan daha az güç kullanır.
- Çim boyunun 1/3'ünden fazlasını kesmeyin. Önce kesme yüksekliği yüksek ayardayken kesmeye başlayın. Sonucu inceleyin ve kesme yüksekliğini uygun seviyeye indirin. Çimler çok uzunsa makineyi yavaş kullanın ve gerekirse 2 kere kesin.
- Her seferinde farklı yönlerde keserek çimenlik alanda çizgi oluşmasını önleyin.

Bakım

Giriş



UYARI: Bakım yapmadan önce güvenlik bölümünü okuyup anlamanız gerekir.

Ürüne uygulanacak tüm servis ve onarım işlemleri için özel eğitim gereklidir. Profesyonel onarım ve servis hizmetlerinin mevcut bulunduğunu garanti etmekteyiz.

Yetkili satıcınız servis noktası değilse kendisiyle görüşüp en yakınınızdaki servis noktası hakkında bilgi edinin.

Bakım takvimi

Bakım aralıkları, ürünün günlük kullanımına göre hesaplanır. Ürün her gün kullanılmazsa aralıklar değişir.

* ile işaretli bakımlar için bkz. *Ürünün üzerindeki güvenlik aletleri sayfa: 332.*

Bakım	Günlük	Haftalık olarak	Aylık olarak
Genel inceleme yapma	X		
Yağ seviyesini inceleme	X		
Ürünü temizleme	X		
Hava filtresini temizleyiniz	X		
Kesme donanımını inceleme	X		

Bakım	Günlük	Haftalık olarak	Aylık olarak
Kesme kapağını inceleme*	X		
Motor fren kolunu inceleme*	X		
Susturucuyu inceleme*		X	
Bujiyi inceleme		X	
Hareket kayışında hasar olup olmadığını kontrol etme			X
Dişli kovanını temizleme			X
Yağ değişimi (ilk kullanımda 5 saatten sonra, daha sonra her 25 saatlik kullanımda ve yılda bir)			X
Hava filtresini değiştirin			X
Yakıt sistemini inceleme			X
Tahriki inceleme ve ayarlama (kavrama kablosu)			X

Genel denetim yapma

- Ürünün üzerindeki tüm somun ve vidaların doğru şekilde sıkıldığından emin olun.

Ürünün dış kısmını temizleme

- Yaprak, çim ve kirleri gidermek için fırça kullanın.
- Motorun üst kısmındaki hava girişinin kapanmadığından emin olun.
- Ürünü temizlemek için yüksek basınçlı yıkayıcı kullanmayın.
- Ürünü temizlemek için su kullanıyorsanız suyu doğrudan motorun üzerine akıtmayın.

Kesme kapağının iç yüzeyini temizleme

1. Ürünü susturuculu yanı alta gelecek şekilde yerleştirin.



DİKKAT: Ürün hava filtresi alta gelecek şekilde yerleştirilirse motor hasar görebilir.

2. Kesme kapağının iç yüzeyini hortum kullanarak suyla yıkayın.

Hareket kayışını kontrol etme ve dişli kovanını temizleme

1. Kayış koruyucusu üzerindeki 4 adet vidayı ve kayış koruyucusunu çıkarın. (Şek. 26)
2. Hareket kayışı ve kayış makarasında hasar olup olmadığını kontrol edin.
3. Dişli kovanındaki yaprak, çim ve kirleri almak için fırça kullanın. (Şek. 27)

Hareket kayışını değiştirme ve ayarlama

1. Kayış koruyucusu üzerindeki 4 adet vidayı ve kayış koruyucusunu çıkarın. (Şek. 26)
2. Ürünün sağ ön tekerleğindeki jant kapağı ve tekerlek arasına bir düz tornavida yerleştirin.
3. Jant kapağını çıkarmak için tornavidayı dikkatlice burkun.
4. Tekerlek civatasını ve ardından tekerleği çıkarın. (Şek. 28)
5. Hareket kayışını kayış makaralarından çıkarın.
6. Kayış makaralarının aks üzerinde kolayca hareket ettiğiinden emin olun.
7. Gerekirse kayış makaraları arasına ve arkasına nüfuz edici yağ püskürtün ve aksı yağlayın.
8. Yeni bir hareket kayışı takın ve hareket kayışını ayarlamadan önce rulmana doğru şekilde takın. (Şek. 29)
9. Hareket kayışını ayarlamak için rulmanı yukarı veya aşağı hareket ettirin. (Şek. 30)

Not: Yeni hareket kayışı kullandıktan sonra uzar. Birkaç saat çalıştırmadan sonra hareket kayışını tekrar ayarlayın.

10. Kayış koruyucusunu takın.
11. Hareket kayışının doğru şekilde takılıp ayarlandığından emin olmak için ürünü çalıştırın.

Orta kayışı değiştirme ve ayarlama

1. Bıçağı sökün.

Not: Bu adım sadece orta kayışı ayarluyorsanız gerekli değildir.

2. Ayar vidalarını birkaç tur gevşetin ancak çıkarmayın. (Şek. 31)
3. Orta kayışı değiştirin ve ayar vidalarını orta derecede sıkın.

Not: Bu adım sadece orta kayışı ayarlıyorsanız gerekli değildir.

4. Orta kayışı ayarlamak için dişliyi ileri veya geriye doğru hareket ettirin. (Şek. 32)
5. Orta kayışın gerginliğini kontrol etmek için kancalı terazi kullanın. Kayış, ortada 6-10 mm hareket edebildiğinde doğru gerginliğe sahiptir. Bu, 3 kg'lık çekmeye eşittir. (Şek. 33)
6. Ayar vidalarını 3 Nm'lik bir torkla tamamen sıkın.
7. Hareket kayışının doğru şekilde takılıp ayarlandığından emin olmak için ürünü çalıştırın.

Kesme donanımını kontrol etme



UYARI: Kazara çalışmayı önlemek için ateşleme kablosunu bujiden ayırın.



UYARI: Kesme donanımına bakım yaptığınızda koruyucu eldivenler kullanın. Bıçak çok keskindir ve kolaylıkla kesiklere yol açabilir.

1. Kesme donanımında hasar veya çatlak olup olmadığını inceleyin. Hasarlı bir kesme donanımını kesinlikle değiştirin.
2. Hasarlı veya kör olup olmadığını anlamak için bıçağa bakın.

Not: Bilendikten sonra bıçağı dengelemek gerekir. Bıçağın bir servis merkezinde bilenmesini, değiştirilmesini ve dengelenmesini sağlayın. Ürünün durmasına neden olan bir engele çarparsanız hasarlı bıçağı değiştirin. Bıçağın bilenip bilenmeyeceğini veya değiştirmek gerekip gerekmediğine servis merkezinin karar vermesini sağlayın.

Bıçağı değiştirme

1. Bıçağı bir tahta parçasıyla kilitleyin. (Şek. 34)
2. Bıçak civatasını, yaylı rondelayı ve bıçağı çıkarın. (Şek. 35)
3. Bıçak desteğinde ve bıçak civatasında hasar olup olmadığını kontrol edin.
 - a) Bıçağı veya bıçak desteğini değiştirirseniz bıçak civatasını, yaylı rondelayı ve sürtünme rondelasını da değiştirin.
4. Bükülmediğinden emin olmak için motor milini inceleyin.

5. Yeni bıçağı taktığınızda, bıçağın bükülmüş uçlarının kesme kapağının yönünde olduğundan emin olun. (Şek. 36)
6. Sürtünme rondelasını ve bıçağı bıçak desteğine yerleştirin. (Şek. 37)
7. Bıçağın, motor milinin orta kısmıyla hizalandığından emin olun. (Şek. 38)
8. Bıçağı ahşap bir blokla kilitleyin. (Şek. 39)
9. Yaylı rondela takın ve civatayı 80 Nm'lik torkla sıkın. (Şek. 40)
10. Bıçağı elinizle çekerek döndürün ve serbestçe döndüğünden emin olun.



UYARI: Koruyucu eldivenler kullanın. Bıçak çok keskindir ve kolaylıkla kesiklere yol açabilir.

11. Bıçağı test etmek için ürünü çalıştırın. Bıçak doğru bir şekilde takılmadıysa üründe titreşim olur veya kesme işleminin sonucu başarısızdır.

Yağ seviyesini kontrol etme



DİKKAT: Yağ seviyesinin çok düşük olması motora zarar verebilir. Ürünü çalıştırmadan önce yağ seviyesini kontrol edin.

1. Ürünü düz bir zemine koyun.
2. Yakıt valfini kapatın.
3. Takılı daldırma çubuk ölçekle yağ tankı kapağını çıkarın.
4. Yağ çubuğundaki yağı temizleyin.
5. Daldırma çubuk ölçeği yağ tankına yerleştirin ancak yağ tankı kapağını sıkmayın.
6. Daldırma çubuk ölçeği çıkarın.
7. Daldırma çubuk ölçekteki yağ seviyesini kontrol edin.
8. Yağ seviyesi düşerse motor yağı doldurun ve yağ seviyesini tekrar kontrol edin. Yağ seviyesi, daldırma çubuk ölçekte en üstteki işarette olduğunda doğrudur.

Motor yağının değiştirilmesi



UYARI: Motor yağı, motor durdurulduktan hemen sonra çok sıcaktır. Motor yağınızı boşaltmadan önce motorun soğumasını bekleyin. Cildinize motor yağı dökülürse sabun ve suyla temizleyin.

1. Ürünü yakıt tankı boşalana kadar çalıştırın.
2. Ateşleme kablosunu bujiden çıkartın.
3. Yağ tankı kapağını çıkarın.
4. Ürünün altına motor yağınızı alacak bir kap yerleştirin.
5. Yağ tankındaki motor yağınızı akıtmak için ürünü eğin.

6. *Teknik veriler sayfada: 339* bölümünde tavsiye edilen tip yeni motor yağı doldurun.
7. Yağ seviyesini kontrol edin. Bkz. *Yağ seviyesini kontrol etme sayfada: 337.*

Hava filtresinin temizlenmesi



DİKKAT: Hava filtresi takılı değilse veya kirliyse motoru çalıştırmayın.



DİKKAT: Tamamen temizlenemiyor ya da hasarlıysa hava filtresini değiştirin. Arızalı bir hava filtresi motorda hasara neden olur.

1. Mandal tırnaklarını (A) itin, hava filtresi kapağını (B) ve hava filtresini (C) çıkarın. (Şek. 41)
2. Hava filtresini sert bir yüzeye vurun veya hava filtresinin temiz tarafından hava filtresine doğru basınçlı hava üfleyin.



DİKKAT: Kiri hava filtresinin içine iteçeğinden kiri temizlemek için fırça kullanmayın.

3. Hava filtresi tutucusunu (D) ve hava filtresi kapağını nemli bir bezle temizleyin.



DİKKAT: Hava kanalına (E) kir girmediğinden emin olun.

4. Hava filtresini ürüne takın. Hava filtresinin hava filtresi tutucusuna tamamen oturduğundan emin olun.
5. Hava filtresi kapağını alttaki tırnaklardan başlayarak takın.

Bujinin kontrol edilmesi



DİKKAT: Daima önerilen tipte buji kullanın. Yanlış buji türü ürüne zarar verebilir.

- Motor gücü düşüğe, çalıştırılması kolay değilse veya rölantide düzgün bir şekilde çalışmıyorsa bujiyi kontrol edin.
- Buji elektrotlarında istenmeyen nesne riskini azaltmak için şu talimatlara uyun:
 - a) Rölanti hızının doğru ayarlandığından emin olun.
 - b) Yakıt karışımının doğru olduğundan emin olun.
 - c) Hava filtresinin temiz olduğundan emin olun.
- Buji kirliyse temizleyin ve elektrot boşluğunun doğru olduğundan emin olun, bkz. *Teknik veriler sayfada: 339*. (Şek. 42)
- Gerekirse bujiyi değiştirin.

Yakıt sistemini kontrol etme

- Hasar olmadığından emin olmak için yakıt tankı kapağını ve yakıt tankı kapağının contasını inceleyin.
- Sızıntı olmadığından emin olmak için yakıt hortumunu inceleyin. Yakıt hortumu hasarlıysa bir servis noktasında değiştirilmesini sağlayın.

Kavrama kablosunu ayarlama

Tahrik yavaşlamış gibiyse kavrama kablosunu ayarlamak gerekir.

- Ayar vidasını çevirin. (Şek. 43)

Kavrama kablosu ayrıca somunla hizalandığında kavrama kablosu doğru şekilde ayarlanmıştır.

(Şek. 44)

Taşıma, depolama ve atma

Taşıma ve saklama

- Ürün ile yakıtı taşımak ve saklamak için sızıntı veya duman olmadığından emin olun. Örneğin, elektrikli cihazlardan veya kazanlardan kaynaklanan kıvılcım veya açık alevler yangın çıkarabilir.
- Yakıtı taşımak ve saklamak için her zaman onaylı kaplar kullanın.
- Ürünü uzun bir süre için saklama yerine koymadan önce yakıt tankını boşaltın. Yakıtı uygun bir çöp atma merkezinde bertaraf edin
- Hasar veya kaza olmasını önlemek için taşıma sırasında ürünü güvenli bir şekilde bağlayın.

- Çocukların veya yetkili olmayan kişilerin erişmesini önlemek için ürünü kilitle bir alanda tutun.
- Ürünü kuru ve donmayan bir yerde tutun.

Atma

- Yerel geri dönüşüm gerekliliklerine ve geçerli düzenlemelere uyun.
- Motor yağı veya yakıt gibi kimyasalları servis merkezinde veya uygun bir atık noktasında atın.
- Ürün artık kullanılmıyorsa ürünü Husqvarna bayisine gönderin veya geri dönüşüm noktasında atın.

Teknik veriler

Teknik veriler

	KLIPPO LB 448S	KLIPPO LB 453S	KLIPPO LB 548S e
Motor			
Marka	Honda	Honda	Honda
Hacim, cm ³	145	166	166
Hız, rpm	2900	2900	2900
Nominal motor çıkış gücü, kW ¹³¹	2.7	3,3	3,3
Ateşleme sistemi			
Buji	NGK BPR5ES	NGK BPR5ES	NGK BPR5ES
Elektrot boşluğu, mm	0,7–0,8	0,7–0,8	0,7–0,8
Yakıt ve yağlama sistemi			
Yakıt tankı kapasitesi, litre	0,9	0,9	0,9
Yağ tankı kapasitesi, litre	0,55	0,5	0,55
Motor yağı ¹³²	SAE 10W-30	SAE 10W-30	SAE 10W-30
Ağırlık			
Boş tanklarla birlikte, kg	30,5	33	32,5
Gürültü yayma ¹³³			
Ses gücü seviyesi, ölçülmüş dB (A)	90	91	90
Ses gücü seviyesi, L _{WA} dB (A) garantili	91	94	91
Ses seviyeleri ¹³⁴			
Operatörün kulağındaki ses basıncı düzeyi, dB (A)	77	78	78
Titreşim seviyeleri, a_{hveq} ¹³⁵			
Kol, m/s ²	4.5	5,3	4,8
Kesme donanımı			

¹³¹ Motor için gösterilen güç derecesi SAE J1349/ISO1585 standardına göre ölçülen motor modeli için tipik bir üretim motorunun (belirlenmiş dev/dk'da) ortalama net güç çıkışıdır. Seri üretim motorları bu değerden farklı olabilir. Ürünün son haline takılan motorun gerçek güç çıkışı çalışma hızına, çevre koşullarına ve diğer değerlere bağlıdır.

¹³² SG–SH kalitesinde motor yağı kullanın. Motor üreticisinin kılavuzundaki viskozite tablosuna bakarak beklenen dış ortam sıcaklığına göre en iyi viskoziteyi seçin.

¹³³ 2000/14/AT sayılı AT direktifi uyarınca ses gücü (L_{WA}) olarak çevrede ölçülen gürültü yayma seviyesi.

¹³⁴ ISO 5395'e göre ses basıncı düzeyi. Ses basıncı düzeyi için bildirilen verilerdeki tipik istatistik dağılım (standart sapma) 1,2 dB (A) şeklindedir.

¹³⁵ ISO 5395'e göre titreşim düzeyi. Titreşim düzeyi için bildirilen verilerin tipik istatistik dağılımı (standart sapması) 0,2 m/sn² şeklindedir.

	KLIPPO LB 448S	KLIPPO LB 453S	KLIPPO LB 548S e
Kesme yüksekliđi, mm	30-60	30-60	30-60
Kesme geniřliđi, mm	480	530	480
Bıçak	Malç - 48 cm 5028813-10	Malç - 53 cm 5028814-10	Malç - 48 cm 5028813-10
Tahrik			
Hız, km/sa.	4.5	4.5	4.5

AT Uyumluluk Bildirimi

AT Uyumluluk Bildirimi

Husqvarna AB, SE-561 82 Huskvarna, İsveç, tel.:
+46-36-146500, 2020xxxxxxx ve sonrası seri numaralı
Husqvarna KLIPPO LB 448S, KLIPPO LB 453S,
KLIPPO LB 548S e çim biçme makinelerinin aşağıdaki
KONSEY DİREKTİFİ gereksinimleriyle uyumlu olduğunu
beyan eder:

- 17 Mayıs 2006 tarihli ve **2006/42/AT** sayılı
"makinelere ilgili" direktif
- 26 Şubat 2014 tarihli ve **2014/30/AB** sayılı
"elektromanyetik uyumlulukla ilgili" direktif
- 8 Mayıs 2000 tarihli ve **2000/14/AT** sayılı "çevredeki
gürültü emisyonları ile ilgili" direktif
- 8 Haziran 2011 tarihli ve **2011/65/AB** sayılı "elektrikli
ve elektronik ekipmanlardaki belirli tehlikeli
maddelerin kullanımının kısıtlanmasıyla ilgili" direktif

Gürültü emisyonlarıyla ilgili bilgi için Teknik veriler
bölümüne bakın.

Aşağıdaki standartlar uygulanmıştır:

EN ISO 5395-1, EN ISO 5395-2, EN ISO 5395-2 Amd1,
EN ISO 5395-2 Amd 2, EN 55012, EN 50581:2012

Başka şekilde belirtilmemişse yukarıda listelenen
standartlar en son yayınlanan sürümlerdir.

Onaylanmış kuruluş: **0404, RISE SMP Svensk**
Maskinprovning AB, Box 7035, SE-750 07 Uppsala
"çevreye gürültü yaymayla ilgili" 2000/14/AT sayılı, 8
Mayıs 2000 tarihli KONSEY DİREKTİFİ Ek VI'ya göre
uygunluk değerlendirmesine ilişkin raporlar
yayımlamıştır.

Huskvarna, 2020-09-16



Claes Losdal, Geliştirme Müdürü/Bahçe Ürünleri
(Husqvarna AB yetkili temsilcisi ve teknik
dokümantasyon sorumlusu)

Türk ithalat şirketi daha fazla bilgi için temas edilecek:
Çullas Orman Bahçe ve Tarım Mak. San. Tic. A.Ş.
Suadiye Mh. Bağdat Cd. No:455/4
Kadıköy – 34740 İstanbul / Türkiye
Telefon: +90 216 519 88 82
Faks: +90 216 519 88 78
info@cullas.com.tr



Зміст

Вступ.....	342	ТЕХНІЧНЕ ОБСЛУГОВУВАННЯ.....	348
Безпека.....	343	Транспортування, зберігання й утилізація.....	351
Збирання.....	346	Технічні характеристики.....	352
Експлуатація.....	347	Декларація відповідності ЄС.....	354

Вступ

Опис виробу

Виріб являє собою обертальну газонокосарку для піших операторів із системою BioClip® для перетворення трави на добриво.

Призначення

Користуйтеся виробом для зрізання трави. Забороняється використовувати виріб для інших завдань.

Огляд виробу

(Мал. 1)

1. Ручка/рукоятка
2. Ручка зупинення двигуна
3. Важіль приводу
4. Ручка троса стартера
5. Кришка масляного бака
6. Кожух паса
7. Глушник
8. Свічка запалення
9. Кожух паса
10. Паливний бак
11. Важіль регулювання кута рукоятки
12. Система поглинання вібрації
13. Регулювання дроту зчеплення
14. Нижня ручка
15. Важіль регулювання висоти різання
16. Паливний клапан
17. Повітряний фільтр
18. Кожух леза
19. Пружинна шайба
20. Болт диска
21. Лезо
22. Опора леза
23. Заглушка для мульчування (KLIPPO LB 448S, KLIPPO LB 548S e)
24. Посібник користувача

користувача й переконайтеся, що зрозуміли всі вказівки.

(Мал. 4) Остерігайтеся рикошету й об'єктів, які можуть вилітати з-під виробу.

(Мал. 5) Сторонні особи та тварини повинні перебувати на безпечній відстані від робочої зони.

(Мал. 6) Перед проведенням ремонтних робіт або обслуговування необхідно зупинити двигун та витягнути провід запалювання.

(Мал. 7) Увага! Тримайте руки та ноги на відстані від деталей, що обертаються.

(Мал. 8) Увага! Тримайте руки та ноги на відстані від леза, що обертається.

(Мал. 9) Цей виріб відповідає вимогам відповідних директив ЄС.

(Мал. 10) Випромінювання шуму в навколишнє середовище виміряно згідно з європейською директивою 2000/14/ЄС і Законом про збереження навколишнього середовища (контроль шуму) 2017 р. Нового Південного Уельсу. Дані про випромінювання шуму вказані на паспортній табличці пристрою, а також у розділі технічних характеристик.

Символи на виробі

(Мал. 2) **ПОПЕРЕДЖЕННЯ:** недбале чи неправильне використання може призвести до травм або смерті оператора чи інших осіб.

(Мал. 3) Перед початком використання виробу уважно прочитайте посібник

(Мал. 11) Сканований код.

Зверніть увагу: Інші позначення/бирки на виробі стосуються сертифікаційних вимог для певних торгових зон.

Бирка на виробі, тільки для Австралії та Нової Зеландії

(Мал. 12)

Тримайте руки й ноги на безпечній відстані від леза, що обертається.

Відповідає вимогам європейського екологічного стандарту Євро-5



ПОПЕРЕДЖЕННЯ: Внесення змін у двигун позбавляє чинності сертифікацію ЄС для цього виробу.

Відповідальність за якість продукції

Згідно із законом про відповідальність за якість продукції ми не несемо відповідальності за будь-які пошкодження, спричинені роботою наших виробів, якщо:

- виріб було неправильно відремонтовано;
- виріб було відремонтовано із використанням деталей, виготовлених не виробником або не затверджених ним;
- виріб обладнано аксесуаром, виготовленим не виробником або не затвердженим ним;
- виріб було відремонтовано в неавторизованому сервісному центрі або неавторизованою компанією;

Безпека

Визначення щодо безпеки

Попередження, застереження й примітки служать для наголошення на особливо важливих положеннях посібника.



ПОПЕРЕДЖЕННЯ: Вказує на те, що в разі порушення інструкцій, наведених у цьому посібнику, існує небезпека поранення або смерті оператора чи інших осіб, що знаходяться поруч.



УВАГА: Вказує на те, що в разі порушення інструкцій, наведених у цьому посібнику, існує небезпека пошкодження виробу, інших матеріалів або навколишніх об'єктів.

Зверніть увагу: Використовується для надання додаткової інформації щодо певної ситуації.

Загальні правила техніки безпеки



ПОПЕРЕДЖЕННЯ: Перш ніж розпочати використання виробу, уважно прочитайте наведені нижче попередження.

- Цей виріб може бути небезпечним у разі неправильного або недбалого використання. Порушення правил техніки безпеки може призвести до травм або смерті.
- Під час роботи цього виробу утворюється електромагнітне поле. Це поле може за деяких

умов взаємодіяти з активними чи пасивними медичними імплантатами. Щоб зменшити ризик тяжких або смертельних травм, рекомендуємо особам із медичними імплантатами проконсультуватися зі своїм лікарем і виробником медичного імплантату перед початком експлуатації цього виробу.

- Завжди будьте обережні та керуйтеся здоровим глуздом. Якщо ви маєте сумніви щодо того, як користуватися виробом у конкретній ситуації, припиніть роботу та проконсультуйтеся з дилером Husqvarna.
- Пам'ятайте, що оператор несе відповідальність за нещасні випадки, в результаті яких постраждали інші особи або їхнє майно.
- Підтримуйте виріб чистим. Переконайтеся, що знаки та наклейки знаходяться в читабельному стані.
- Не дозволяйте використовувати виріб стороннім людям доки не переконаєтеся, що вони прочитали та зрозуміли весь зміст посібника користувача.
- Не давайте використовувати прилад дітям.
- Не підпускайте до робочої зони дітей. Біля виробу, що працює, має завжди перебувати відповідальна доросла особа.
- Не давайте використовувати прилад особам, що не ознайомилися з інструкціями.
- Завжди наглядуйте за особами з обмеженими фізичними чи розумовими можливостями, що використовують виріб. Біля виробу, що працює, повинна завжди знаходитися відповідальна доросла особа.
- Забороняється використовувати виріб, якщо ви втомлені, хворі, чи перебуваєте під впливом наркотиків, алкоголю або медикаментів. Ці

фактори мають негативний вплив на ваш зір, зосередженість, свідомість та координацію рухів.

- Забороняється використовувати виріб у разі його несправності.
- Забороняється зміни в конструкцію виробу чи використовувати виріб, якщо є підозра, що його було змінено сторонніми особами.
- Не змінюйте налаштування керування частотою обертання двигуна.

Безпека в робочій зоні



ПОПЕРЕДЖЕННЯ: Перш ніж розпочати використання виробу, уважно прочитайте наведені нижче попередження.

- Перед використанням виробу приберіть з робочої зони всі гілки, лозу та каміння.
- Предмети, що потраплять на різальне обладнання, можуть відлетіти та поранити сторонніх осіб або пошкодити інші предмети. Сторонні особи та тварини повинні знаходитися на безпечній відстані від виробу.
- Забороняється використовувати виріб за поганої погоди на кшталт туману, дощу, сильного вітру, значного холоду або грози. Робота в погану погоду або на вологих ділянках виснажує. Погана погода може стати причиною небезпечних умов роботи, таких як слизькі поверхні.
- Бережітьесь осіб, предметів та ситуацій, які можуть зашкодити безпечній роботі виробу.
- Бережітьесь перешкод на кшталт коріння, каміння, гілок, ям або каналів. Висока трава може приховувати перешкоди.
- Скошування трави на схилах може бути небезпечним. Не використовуйте виріб на ділянках із нахилом понад 15°.
- Використовуйте виріб на схилах у горизонтальному напрямку. Не рухайтесь вгору і вниз.
- Будьте обережні, наближаючись до прихованих кутів та предметів, які можуть закривати поле зору.

Техніка безпеки



ПОПЕРЕДЖЕННЯ: Перш ніж розпочати використання виробу, уважно прочитайте наведені нижче попередження.

- Використовуйте виріб лише для скошування трав'яних газонів. Заборонено використовувати виріб для інших цілей.
- Використовуйте засоби індивідуального захисту. Див. *Засоби індивідуального захисту на сторінці 345.*

- Дізнайтеся, як швидко зупинити двигун в екстреній ситуації.
- Забороняється запускати двигун у закритому приміщенні або поблизу легкозаймистих матеріалів. Вихлопні дими мають високу температуру й можуть містити іскри, що можуть призвести до пожежі.
- Забороняється використовувати виріб без правильно встановленого леза та всіх кожухів. Неправильно встановлене лезо може від'єднатися й призвести до травм.
- Слідкуйте, щоб лезо не зачіпляло сторонні предмети на кшталт каміння та коріння. Це може призвести до пошкодження леза та згинання вала двигуна. Зігнута вісь викликає значні вібрації та призводить до ризику від'єднання леза від виробу.
- У разі удару леза об будь-який сторонній предмет чи появи вібрації негайно зупиніть виріб. Від'єднайте провід запалювання від свічки запалювання. Перевіряйте виріб на наявність пошкоджень. Виправляйте пошкодження або здавайте виріб на ремонт в авторизований центр обслуговування.
- Забороняється закріплювати ручку зупинення двигуна на рукоятці, коли працює двигун.
- Поставте виріб на тверду рівну поверхню та увімкніть його. При цьому лезо не повинно торкатися землі або інших предметів.
- Під час роботи з виробом завжди залишайтеся позаду нього.
- Під час роботи з виробом усі колеса мають залишатися на землі, а обидві руки треба тримати на ручці. Тримайте руки та ноги на відстані від лез, що обертаються.
- Не нахиляйте виріб, коли двигун увімкнений.
- Будьте обережні під час руху у зворотному напрямку.
- Забороняється піднімати виріб коли двигун увімкнений. Якщо виріб треба підняти, спочатку вимкніть двигун та від'єднайте провід запалювання від свічки запалювання.
- Не рухайтесь у зворотному напрямку під час роботи з виробом.
- Вимкняйте двигун під час руху через ділянки без трави на кшталт доріжок із гравію, каменю або асфальту.
- Не бігайте з виробом, коли двигун увімкнений. Під час роботи з виробом необхідно ходити зі звичайною швидкістю.
- Вимкняйте двигун, перш ніж змінювати висоту різання. Забороняється виконувати регулювання при увімкненому двигуні.
- Забороняється залишати виріб без нагляду коли двигун працює. Зупиніть двигун та переконайтеся, що ріжуче обладнання не обертається.

Правила техніки безпеки під час використання

Засоби індивідуального захисту



ПОПЕРЕДЖЕННЯ: Перш ніж розпочати використання виробу, уважно прочитайте наведені нижче попередження.

- Особисте захисне спорядження не може повністю усунути небезпеку травмування, але при нещасному випадку воно знизить ступінь важкості травми. Дозвольте дилеру допомогти вам із вибором підходящого обладнання.
- Використовуйте засоби захисту органів слуху, якщо рівень шуму перевищує 85 дБ.
- Використовуйте взуття із захистом від ковзання для роботи у важких умовах. Забороняється використовувати відкрите взуття або працювати взагалі без нього.
- Використовуйте цупкі довгі штани.
- За потреби використовуйте рукавички, наприклад, якщо необхідно приєднати, оглянути або почистити різальне обладнання.

Механізми безпеки на пристрої



ПОПЕРЕДЖЕННЯ: Перш ніж розпочати використання виробу, уважно прочитайте наведені нижче попередження.

- Не використовуйте виріб із пошкодженими захисними пристроями.
- Регулярно перевіряйте захисні пристрої. У випадку пошкодження захисних пристроїв зверніться до центру обслуговування Husqvarna.

Перевірка кожуха леза

Кожух леза частково поглинає вібрацію виробу та знижує небезпеку травмування лезом.

- Огляньте кожух леза та переконайтеся, що він не має пошкоджень на кшталт тріщин.

Перевірка кожуха паса

Кожух паса зменшує ризик травмування й запобігає вискакуванню розірваного приводного паса.

- Переконайтеся, що кожух паса не пошкоджено й правильно встановлено. (Мал. 13)

Перевірка кожуха паса

Кожух паса зменшує ризик травмування й запобігає вискакуванню розірваного приводного паса.

- Переконайтеся, що кожух паса не пошкоджено й правильно встановлено. (Мал. 14)

Ручка зупинення двигуна

Ручка зупинення двигуна зупиняє двигун. За відпускання ручки зупинення двигуна він зупиняється.

Щоб перевірити роботу гальма двигуна, запустіть двигун, а потім відпустіть ручку зупинення. Якщо двигун не зупиняється протягом 3 секунд, необхідно передати виріб в авторизований центр обслуговування Husqvarna для налаштування гальма двигуна.

(Мал. 15)

Перевірка системи поглинання вібрації



ПОПЕРЕДЖЕННЯ: Надмірний вплив вібрації може ушкодити нервову систему або систему кровообігу в людей, які мають погіршений кровообіг. Якщо у вас проявляються симптоми надмірного впливу вібрації, зверніться по медичну допомогу. До таких симптомів належать: оніміння, втрата чутливості, пощипування, поколювання, біль, втрата сили, зміни кольору або стану шкіри. Зазвичай ці симптоми проявляються в пальцях, руках і зап'ястках.

Система поглинання вібрації знижує вібрацію в ручці під час роботи.

Сталева трубка в рукоятці й кожусі леза знижує вібрацію. KLIPPO LB 548S є оснащено 4 елементами поглинання вібрації, прикріпленими до рукоятки.

- Перевірте рукоятку й елементи поглинання вібрації, щоб переконатися у відсутності пошкоджень. (Мал. 16)

Опора леза

Опора леза знижує ризик того, що вал двигуна зігнеться. У разі удару леза об будь-який сторонній предмет лезо рухатиметься в напрямку опори леза. Цей рух є причиною зношення верхньої опори леза. Зношення вказує на те, що захист вала двигуна працює правильно.

Глушник

Глушник зменшує рівень шуму та відводить вихлопні гази подалі від оператора.

Не використовуйте виріб із пошкодженим глушником або взагалі без глушника. В разі пошкодження глушника збільшується рівень шуму та підвищується небезпека загоряння.



ПОПЕРЕДЖЕННЯ: Під час роботи виробу та відразу після роботи, а також під час роботи двигуна на холостих обертах глушник сильно нагрівається.

Зважайте на легкозаймисті матеріали та/або випари, щоб не допустити пожежі.

- Перед запуском пересуньте виріб щонайменше на 3 м від місця, де ви заправляли його.
- Не заповнюйте паливний бак повністю. Під впливом високої температури паливо розширюється. Залиште трохи вільного місця вгорі бака.

Перевірка глушника

- Регулярно оглядайте глушник, стежте, щоб він був правильно під'єднаний та справний.

Заходи безпеки під час роботи з паливом



ПОПЕРЕДЖЕННЯ: Перш ніж розпочати використання виробу, уважно прочитайте наведені нижче попередження.

- Не запускайте виріб, якщо на ньому залишилося пальне або моторна олива. Приберіть непотрібне пальне/оливу та дайте виробу просохнути.
- Якщо ви пролили пальне на свій одяг, негайно переодягніться.
- Не допускайте потрапляння пального на тіло, адже це може призвести до травм. Для видалення пального, що потрапило на тіло, використовуйте мило та воду.
- Не запускайте виріб у разі наявності протікання у двигуні. Регулярно перевіряйте двигун на протікання.
- Будьте обережні при поводженні з паливом. Пальне є легкозаймистою речовиною, а його пари вибухонебезпечні та можуть призвести до травм або смерті.
- Не вдихайте вихлопні гази, це може призвести до травм. Забезпечте належне провітрювання.
- Не паліть біля пального або двигуна.
- Не кладіть біля пального або двигуна теплі предмети.
- Не доливайте пальне в працюючий виріб.
- Перед заправленням переконайтеся, що двигун охолонув.
- Перед заправленням повільно відкрийте кришку паливного бака, обережно зменшивши тиск.
- Не заправляйте виріб у приміщенні. Недостатнє провітрювання може призвести до травм або смерті внаслідок задухи чи отруєння монооксидом вуглецю.
- Затягуйте кришку паливного бака повністю. Якщо кришку паливного бака не затягнуто, існує ризик виникнення пожежі.



ПОПЕРЕДЖЕННЯ: Перш ніж розпочати використання виробу, уважно прочитайте наведені нижче попередження.

- Вихлопні гази з двигуна містять монооксид вуглецю, отруйний та дуже небезпечний газ без запаху. Забороняється заводити виріб у приміщенні чи в замкнутому просторі.
- Перед тим, як почати технічне обслуговування виробу, вимкніть двигун та від'єднайте провід запалювання від свічки запалювання.
- Під час технічного обслуговування різального обладнання використовуйте захисні рукавиці. Лезо дуже гостре, ним можна легко порізатися.
- Встановлення аксесуарів, виготовлених не виробником, або внесення змін, не затверджених ним, може призвести до серйозної травми чи смерті. Вносити зміни в виріб забороняється. Використовуйте лише сертифіковані виробником аксесуари.
- Якщо не проводити правильне та регулярне технічне обслуговування, виникає небезпека травм та пошкодження виробу.
- Виконуйте технічне обслуговування лише так, як це наведено в цьому посібнику користувача. Будь-які інші види обслуговування повинні проводитися в авторизованому центрі обслуговування Husqvarna.
- Регулярне обслуговування виробу може проводити авторизований центр обслуговування Husqvarna.
- Замінійте пошкоджені, зношені або зламані деталі.

Збирання

Вступ



ПОПЕРЕДЖЕННЯ: Перед монтажем виробу обов'язково прочитайте й усвідомте зміст розділу про заходи безпеки.



ПОПЕРЕДЖЕННЯ: Перед збиранням виробу необхідно від'єднати кабель від свічки запалювання.

Збирання й регулювання рукоятки

1. Зніміть гайку ручки й шайбу з пластини на верхній ручці.
2. Переведіть верхню ручку в положення на верхній частині нижньої ручки.



УВАГА: Переконайтеся в тому, що дроти не затиснуті й не пошкоджені.

3. Прикріпіть шайбу й гайку ручки. (Мал. 17)
4. Коли ви використовуєте виріб біля стіни, поверніть ручку вбік, аби працювати було зручніше. (Мал. 18)

5. Поверніть регульовальні колеса на рамі, щоб відрегулювати рукоятку вертикально. (Мал. 19)

Монтаж заглушки для мульчування KLIPPO LB 448S, KLIPPO LB 548S e

1. Нахиліть виріб назад свічкою запалювання вгору.
2. Вставте штифти заглушки для мульчування в отвори з внутрішньої сторони кожуха леза. (Мал. 20)
3. Прикріпіть гвинти заглушки для мульчування із зовнішньої сторони кожуха леза. (Мал. 21)

Експлуатація

Вступ



ПОПЕРЕДЖЕННЯ: Перед експлуатацією виробу обов'язково прочитайте й усвідомте зміст розділу про заходи безпеки.

Husqvarna Connect

Husqvarna Connect є безкоштовною програмою для мобільного пристрою. У програмі Husqvarna Connect доступна ціла низка розширених функцій для користування Husqvarna:

- розширена інформація про виріб;
- відомості про деталі й обслуговування виробу, а також довідкова інформація.

Щоб почати користуватися Husqvarna Connect

1. Завантажте програму Husqvarna Connect на свій мобільний пристрій.
2. Зареєструйтеся в програмі Husqvarna Connect.
3. Виконайте кроки з реєстрації в програмі Husqvarna Connect, щоб під'єднати та зареєструвати виріб.

Перед початком роботи з виробом

1. Уважно прочитайте посібник користувача та переконайтеся, що ви зрозуміли всі вказівки.
2. Огляньте різальне обладнання та переконайтеся, що воно правильно встановлено та налаштовано. Див. *Перевірка різального обладнання на сторінці 350.*
3. Наповніть паливний бак. Див. *Заправлення паливом на сторінці 347.*
4. Наповніть паливний бак та перевірте рівень оливи. Див. *Перевірка рівня оливи на сторінці 350.*

Заправлення паливом

Якщо є можливість, використовуйте бензин з низьким рівнем викидів/бензин-алкілат. Якщо можливості використовувати бензин з низьким рівнем викидів/бензин-алкілат немає, використовуйте якісний неетилований бензин або етилований бензин із октановим числом не менше 90.



УВАГА: Не використовуйте бензин із октановим числом нижче 90 RON (87 AKI). Це може призвести до пошкодження виробу.

1. Повільно відкрутіть кришку паливного бака, щоб вивільнити тиск.
2. Повільно влийте пальне з каністри. У разі проливання пального витріть його ганчіркою або дайте йому висохнути.
3. Витріть поверхню біля кришки паливного бака.
4. Затягуйте кришку паливного бака повністю. Якщо кришку паливного бака не затягнуто, існує ризик виникнення пожежі.
5. Перед запуском пересуньте виріб на 3 м від місця, де ви заправляли його.

Налаштування висоти різання

Можна встановити 6 різних рівнів висоти різання.

1. Для збільшення висоти різання потягніть важіль регулювання висоти різання вперед.
2. Для зменшення висоти різання потягніть важіль регулювання висоти різання назад.



УВАГА: Не встановлюйте занадто низьку висоту різання. Леза можуть зачепити землю, якщо поверхня газону буде нерівною.

Запуск виробу

1. Переконайтеся, що провід запалювання під'єднаний до свічки запалювання.
2. Відкрийте клапан подачі палива. (Мал. 22)
3. Залишайтеся позаду виробу.
4. Утримуйте ручку зупинення двигуна біля рукоятки. (Мал. 23)
5. Утримуйте ручку троса стартера правою рукою.
6. Повільно потягніть ручку троса стартера доки не відчуєте деякий спротив.
7. Потягніть шнур сильно, щоб запустити двигун.



ПОПЕРЕДЖЕННЯ: Не намотуйте трос стартера на руку.



УВАГА: Не витягайте трос стартера повністю. Не відпускайте ручку троса стартера, коли трос повністю витягнуто.

Підключення приводу до коліс

- Опустіть важіль приводу. (Мал. 24)
- Перш ніж рухати виріб у зворотному напрямку, розчепіть привід і штовхніть виріб уперед приблизно на 10см.

- Злегка відпустіть ручку зупинення двигуна, щоб розчепити привід, наприклад у разі наближення до перешкоди.

Зупинення виробу

- Щоб зупинити лише привід, злегка відпустіть рукоятку гальма двигуна.
- Щоб зупинити двигун, необхідно повністю відпустити ручку зупинення двигуна.
- Закрийте клапан подачі палива. (Мал. 25)

Забезпечення ефективної роботи

- Завжди користуйтеся гострим лезом. Тупе лезо ріже нерівно, а трава на поверхні розрізу жовтіє. Крім того, гостре лезо споживає менше енергії за тупе.
- Не скошуйте більше $\frac{1}{3}$ довжини трави. Спочатку треба виконувати скошування з великою висотою різання. Оцініть результат і зменште висоту зрізання на потрібну вам. Якщо трава дуже довга, ведіть газонокосарку повільно і виконайте скошування двічі, якщо це необхідно.
- Косіть щоразу в різних напрямках, щоб на газоні не було смуг.

ТЕХНІЧНЕ ОБСЛУГОВУВАННЯ

Вступ



ПОПЕРЕДЖЕННЯ: Перед виконанням робіт із технічного обслуговування обов'язково прочитайте й усвідомте зміст розділу про заходи безпеки.

Для всіх робіт з обслуговування та ремонту необхідна спеціальна підготовка. Ми гарантуємо доступність послуг із професійного ремонту та обслуговування. Якщо ваш дилер не є одночасно центром обслуговування, зверніться до нього по

інформацію щодо найближчого центру обслуговування.

Графік технічного обслуговування

Інтервали технічного обслуговування вказані з урахуванням щоденного використання виробу. Інтервали змінюються для іншої частоти використання виробу.

Інформацію щодо елементів технічного обслуговування, помічених знаком * див. у *Механізми безпеки на пристрої на сторінці 345.*

Технічне обслуговування	Щодня	Щотижня	Щомісяця
Загальна перевірка	X		
Перевірка рівня оливи	X		
Очищення виробу	X		
Почистьте повітряний фільтр	X		
Перевірка різального обладнання	X		
Перевірка кожуха леза*	X		

Технічне обслуговування	Щодня	Щотижня	Щомісяця
Перевірка ручки зупинення двигуна*	X		
Перевірка глушника*		X	
Перевірка свічки запалювання		X	
Огляньте приводний пас на наявність пошкоджень			X
Очищення корпусу редуктора			X
Заміна оливи (перший раз через 5 годин експлуатації, далі – кожні 25 годин експлуатації)			X
Замініть повітряний фільтр			X
Перевірка паливної системи			X
Перевірка та налаштування приводу (дріт зчеплення)			X

Процедура загальної перевірки

- Переконайтеся, що всі гайки й гвинти на виробі затягнуто відповідним чином.

Чищення зовнішніх поверхонь виробу

- Прибирайте листя, траву та бруд за допомогою щітки.
- Переконайтеся, що всмоктувач повітря зверху двигуна не заблокований.
- Для чищення виробу не використовуйте миючий апарат високого тиску.
- У разі використання води для чищення виробу, забороняється лити її безпосередньо на двигун.

Чищення внутрішніх поверхонь кожуха леза

1. Покладіть виріб на бік глушником донизу.



УВАГА: Якщо покласти виріб повітряним фільтром донизу, може виникнути ризик пошкодження двигуна.

2. Промийте водою зі шлангу внутрішню поверхню кожуха леза.

Перевірка приводного паса й очищення корпусу редуктора

1. Видаліть 4 гвинта на кожусі паса й зніміть кожух паса. (Мал. 26)
2. Перевірте приводний пас і шків на наявність пошкоджень.
3. Щіткою приберіть із корпусу редуктора листя, траву й бруд. (Мал. 27)

Заміна й регулювання приводного паса

1. Видаліть 4 гвинта на кожусі паса й зніміть кожух паса. (Мал. 26)
2. Вставте пласку викрутку між ковпаком і колесом на правому передньому колесі виробу.
3. Обережно перевірте викрутку, щоб видалити ковпак.
4. Викрутіть болт кріплення колеса й зніміть колесо. (Мал. 28)
5. Зніміть приводний пас зі шківів паса.
6. Переконайтеся в тому, що шквіви паса легко рухаються на осі.
7. Якщо необхідно, нанесіть оливу з високою проникною здатністю між шківками паса й позаду них і змастіть вісь.
8. Перед регулюванням приводного паса правильно встановіть і прикріпіть новий приводний пас на кульковий підшипник. (Мал. 29)
9. Зруште кульковий підшипник угору або вниз, щоб відрегулювати приводний пас. (Мал. 30)

Зверніть увагу: Новий приводний пас стає довшим після використання. Після декількох годин роботи знову відрегулюйте приводний пас.

10. Установіть кожух паса.
11. Запустіть пристрій, щоб переконатися в тому, що приводний пас правильно встановлено й відрегульовано.

Заміна й регулювання центрального паса

1. Зніміть лезо.

Зверніть увагу: Цей крок не потрібний, коли ви лише регулюєте центральний пас.

2. Послабте регулювальні гвинти на кілька обертів, але не видаляйте їх. (Мал. 31)
3. Замініть центральний пас і помірно затягніть регулювальні гвинти.

Зверніть увагу: Цей крок не потрібний, коли ви лише регулюєте центральний пас.

4. Зруште редуктор уперед або назад, щоб відрегулювати центральний пас. (Мал. 32)
5. Щоб перевірити натяг центрального паса, скористайтеся вагами з гаком. Пас правильно натягнуто, якщо він може рухатися на 6–10 мм у центрі. Це еквівалентно тязі 3 кг. (Мал. 33)
6. Повністю затягніть регулювальні гвинти з моментом 3 Н·м.
7. Запустіть пристрій, щоб переконатися в тому, що приводний пас правильно встановлено й відрегульовано.

Перевірка різального обладнання



ПОПЕРЕДЖЕННЯ: Зніміть провід запалювання зі свічки запалювання, щоб попередити ненавмисний запуск.



ПОПЕРЕДЖЕННЯ: Під час технічного обслуговування різального обладнання використовуйте захисні рукавиці. Лезо дуже гостре, ним можна легко порізатися.

1. Перевірте різальне обладнання на наявність пошкоджень або тріщин. Обов'язково замінійте пошкоджене різальне обладнання.
2. Огляньте лезо на предмет пошкоджень або затуплення.

Зверніть увагу: Після гостріння леза необхідно відрегулювати його баланс. Гостріння, заміну та балансування леза необхідно проводити в центрі обслуговування. У разі потраплення на перешкоду, що призвела до зупинки двигуна, замініть пошкоджене лезо. Спеціалісти центру обслуговування мають провести оцінювання стану леза та надати консультацію щодо необхідності його гостріння або заміни.

Заміна ножа

1. Зафіксуйте лезо дерев'яним брусом. (Мал. 34)
2. Видаліть болт леза, пружинну шайбу й лезо. (Мал. 35)

3. Перевірте опору леза й болт леза на наявність пошкоджень.
 - a) Якщо ви замінюєте лезо або опору леза, також слід замінювати болт леза, пружинну шайбу й фрикційну шайбу.
4. Перевірте вал леза на наявність згинання.
5. Під час установа нового леза переконайтеся, що зігнуті кінці леза направлені в напрямку кожуха леза. (Мал. 36)
6. Установіть фрикційну шайбу й лезо на опору леза. (Мал. 37)
7. Переконайтеся в тому, що лезо суміщене із центром вала двигуна. (Мал. 38)
8. Зафіксуйте лезо дерев'яним брусом. (Мал. 39)
9. Установіть пружинну шайбу й затягніть болт із моментом 80 Н·м. (Мал. 40)
10. Прокрутіть лезо рукою й переконайтеся в тому, що воно вільно обертається.



ПОПЕРЕДЖЕННЯ:

Використовуйте захисні рукавички. Лезо дуже гостре, ним можна легко порізатися.

11. Запустіть виріб, щоб перевірити роботу леза. У разі неправильного встановлення леза у виріб буде спостерігатися вібрація або результат скошування буде незадовільний.

Перевірка рівня оливи



УВАГА: Занадто низький рівень оливи може спричинити пошкодження двигуна. Перед запуском виробу необхідно перевіряти рівень оливи.

1. Встановіть виріб на рівній поверхні.
2. Закрийте клапан подачі палива.
3. Зніміть кришку бака для оливи за допомогою під'єданого вимірювального стрижня.
4. Усуньте оливу з вимірювального стрижня.
5. Вставте вимірювальний стрижень у масляний бак, але не затягуйте кришку масляного баку.
6. Вийміть вимірювальний стрижень.
7. Перевірте рівень оливи на вимірювальному стрижні.
8. У разі, якщо рівень оливи низький, залийте моторну оливу та перевірте рівень ще раз. Якщо рівень оливи на вимірювальному стрижні досягає верхньої позначки, рівень оливи правильний.

Заміна моторної оливи



ПОПЕРЕДЖЕННЯ: Відразу після зупинки двигуна моторна олива є дуже гарячою. Дайте двигуну охолонути, перш

ніж зливати моторну оливу. Якщо моторна олива потрапить на вашу шкіру, промийте цю ділянку водою з милом.

1. Запустіть виріб і дочекайтеся, доки запаси палива буде вичерпано.
2. Витягніть провід запалювання зі свічки запалювання.
3. Зніміть кришку бака для оливи.
4. Підставте під виріб резервуар для збору моторної оливи.
5. Нахиліть виріб, щоб злити моторну оливу з бака.
6. Залейте свіжу моторну оливу рекомендованого в *Технічні характеристики на сторінці 352* типу.
7. Перевірте рівень оливи. Див. *Перевірка рівня оливи на сторінці 350*.

Очищення повітряного фільтра



УВАГА: Забороняється експлуатувати виріб без повітряного фільтра або якщо фільтр забруднений.



УВАГА: Якщо фільтр не можна повністю очистити або він має пошкодження, замініть його. Дефектний повітряний фільтр спричиняє пошкодження двигуна.

1. Натисніть на засувки (А), зніміть кришку повітряного фільтра (В) і вийміть сам фільтр (С). (Мал. 41)
2. Постукайте повітряним фільтром об тверду поверхню або продуйте повітряний фільтр стисненим повітрям із чистої сторони.



УВАГА: Не використовуйте щітку для очищення, адже це просуває бруд всередину фільтра.

3. Очистьте тримач повітряного фільтра (D) і кришку фільтра вологою ганчіркою.



УВАГА: Переконайтеся в тому, що в повітропровід (Е) не потрапляє бруд.

4. Установіть повітряний фільтр. Переконайтеся в тому, що повітряний фільтр щільно сів на тримач фільтра.
5. Установлюйте кришку повітряного фільтра спершу нижніми засувками.

Перевірка свічки запалювання



УВАГА: Завжди користуйтеся рекомендованими свічками запалення. Неправильний тип свічки запалювання може призвести до пошкодження виробу.

- У разі, якщо двигун втрачає потужність, його важко запустити або він погано працює на холостому ході, необхідно перевірити свічку запалювання.
- Щоб зменшити ризик потрапляння зайвих предметів на електроди свічки запалювання, дотримуйтеся таких інструкцій:
 - а) переконайтеся, що швидкість холостого ходу встановлено правильно;
 - б) переконайтеся в правильності змішування паливної суміші;
 - в) переконайтеся, що повітряний фільтр чистий.
- Якщо свічка запалювання забруднена, її слід очистити й переконатися в тому, що між електродами встановлено правильний проміжок (див. *Технічні характеристики на сторінці 352*). (Мал. 42)
- За необхідності замініть свічку запалювання.

Перевірка паливної системи

- Перевірте кришку паливного бака та її ущільнювач на предмет пошкоджень.
- Перевірте шланг подачі пального на предмет протікань. У разі пошкодження шланга подачі пального замініть його в центрі обслуговування.

Регулювання дроту зчеплення

Якщо відчувається, що привід працює повільно, треба відрегулювати дріт зчеплення.

- Поверніть регульовальний гвинт. (Мал. 43)

Дріт зчеплення відрегульовано правильно, коли скобу дроту зчеплення вирівняно відносно гайки.

(Мал. 44)

Транспортування, зберігання й утилізація

Транспортування та зберігання

- У разі транспортування та зберігання виробу та пального необхідно переконаватися у відсутності протікань та випарів. Іскри або відкритий вогонь, наприклад, від електричних пристроїв, можуть спричинити пожежу.

- Для зберігання та транспортування палива слід використовувати лише сертифіковані резервуари.
- Спорожніть паливний бак у разі, якщо виріб зберігатиметься протягом тривалого часу. Утилізуйте паливо у відповідних місцях для утилізації

- Під час транспортування закріплюйте виріб безпечним чином, щоб уникнути пошкоджень та нещасних випадків.
- Зберігайте виріб у закритому приміщенні, куди не зможуть отримати доступ діти та особи без належної підготовки.
- Зберігайте виріб у сухому місці за температури нижче 0 градусів.
- Утилізуйте всі хімічні речовини на кшталт моторної оливи або палива в центрі обслуговування або у відповідних місцях для утилізації.
- Якщо виріб більше не використовується, відправте його дилеру Husqvarna або утилізуйте у відповідному місці для утилізації.

Утилізація

- Виконуйте місцеві вимоги та відповідні норми і правила щодо утилізації.

Технічні характеристики

Технічні характеристики

	KLIPPO LB 448S	KLIPPO LB 453S	KLIPPO LB 548S e
Двигун			
Бренд	Honda	Honda	Honda
Об'єм, см ³	145	166	166
Частота обертання, об/хв	2900	2900	2900
Номінальна потужність двигуна, кВт ¹³⁶	2,7	3,3	3,3
Система запалювання			
Свічка запалювання	NGK BPR5ES	NGK BPR5ES	NGK BPR5ES
Проміжок між електродами, мм	0,7–0,8	0,7–0,8	0,7–0,8
Паливна система й система змащування			
Ємність паливного бака, л	0,9	0,9	0,9
Місткість бака для оливи, л	0,55	0,5	0,55
Моторна олива ¹³⁷	SAE 10W-30	SAE 10W-30	SAE 10W-30
Вага			
Маса з порожніми баками, кг	30,5	33	32,5
Випромінювання шуму¹³⁸			
Рівень звукової потужності, вимірюваний у децибелах (A)	90	91	90

¹³⁶ Указана номінальна потужність двигуна є середньою кінцевою потужністю (за вказаної частоти в об/хв) типового серійного двигуна для цієї моделі, вимірюваною за стандартом SAE J1349/ISO1585. Потужність серійних двигунів може відрізнятися від цього значення. Фактична вихідна потужність двигуна, установленого у виробі, залежить від робочої швидкості, умов навколишнього середовища та інших факторів.

¹³⁷ Використовуйте моторну оливу класу SG–SH. Ознайомтеся з таблицею в'язкості в посібнику користувача двигуна та оберіть оптимальну в'язкість залежно від очікуваної зовнішньої температури.

¹³⁸ Випромінювання шуму в середовище, виміряне як звукова потужність (L_{WA}), відповідає директиві ЄС 2000/14/EC.

	KLIPPO LB 448S	KLIPPO LB 453S	KLIPPO LB 548S e
Рівень звукової потужності, гарантований L_{WA} дБ(А)	91	94	91
Рівні звуку ¹³⁹			
Рівень звукового тиску у вусі оператора, дБ (А)	77	78	78
Рівні вібрації, a_{Hveq} ¹⁴⁰			
Ручка, m/c^2	4,5	5,3	4,8
Різальне обладнання			
Висота зрізання, мм	30–60	30–60	30–60
Ширина зрізання, мм	480	530	480
Лезо	Мульчування – 48 см 5028813-10	Мульчування – 53 см 5028814-10	Мульчування – 48 см 5028813-10
Приводу			
Швидкість, км/год.	4,5	4,5	4,5

¹³⁹ Рівень шумового тиску відповідає стандарту ISO 5395. Заявлені дані про рівень шумового тиску мають стандартну статистичну розбіжність (стандартне відхилення) в 1,2 дБ(А).

¹⁴⁰ Рівень вібрації відповідає стандарту ISO 5395. Заявлені дані щодо рівня вібрації мають стандартну статистичну розбіжність (стандартне відхилення) у 0,2 m/c^2 .

Декларація відповідності ЄС

Декларація відповідності ЄС

Ми, **Husqvarna AB**, SE-561 82 місто Хускварна, Швеція, телефон: +46-36-146500, заявляємо, що **газонокосарки Husqvarna KLIPPO LB 448S, KLIPPO LB 453S, KLIPPO LB 548S e** із серійними номерами 2020xxxxxxx і далі відповідають вимогам ДИРЕКТИВИ РАДИ ЄС:

- від 17 травня 2006 р. «стосовно механічного обладнання» **2006/42/EC**
- від 26 лютого 2014 р. «Про електромагнітну сумісність» **2014/30/EU**
- від 8 травня 2000 р. «Про випромінювання шуму до навколишнього середовища» **2000/14/EC**
- від 8 червня 2011 р. «Про обмеження використання деяких небезпечних речовин в електричному й електронному обладнанні» **2011/65/EU**.

Відомості стосовно шумовипромінювання див. у розділі «Технічні дані».

Застосовано такі стандарти:

EN ISO 5395-1, EN ISO 5395-2, EN ISO 5395-2 Amd1, EN ISO 5395-2 Amd 2, EN 55012, EN 50581:2012

Якщо інше не зазначено, маються на увазі останні опубліковані версії вищевказаних стандартів.

Уповноважений орган: **0404, RISE SMP Svensk Maskinprovning AB, Box 7035, SE-750 07 Uppsala** оприлюднив звіти щодо оцінки відповідності згідно з додатком VI ДИРЕКТИВИ РАДИ ЄС від 8 травня 2000 року «про шумові викиди в навколишнє середовище» 2000/14/EC.

Huskvarna, 2020-09-16



Клаес Лосдал (Claes Losdal), директор із питань розвитку / продукції для садівництва (уповноважений представник компанії Husqvarna AB, що відповідає за технічну документацію)

内容

引言.....	355	维护.....	359
安全性.....	356	运输、存放和废弃处理.....	362
安装.....	358	技术参数.....	362
操作.....	358	欧盟一致性声明.....	364

引言

产品说明

本产品是一款步行控制旋转式草坪机，可使用 BioClip® 刀片将草料切割成肥料。

产品概览

(图 1)

1. 手柄/手柄杆
2. 引擎制动手柄
3. 驱动杆
4. 启动绳把手
5. 油箱盖
6. 皮带保护罩
7. 消音器
8. 火花塞
9. 皮带保护罩
10. 燃油箱
11. 手柄角度调节杆
12. 防振系统
13. 离合器拉线调节
14. 下手柄
15. 修剪高度杆
16. 燃料阀
17. 空气滤清器
18. 切割防护盖
19. 弹簧垫片
20. 刀片螺栓
21. 锯片
22. 刀片支撑
23. 地面覆盖插件 (KLIPPO LB 448S、KLIPPO LB 548S e)
24. 说明书

本产品上的符号

- (图 2) **警告：**疏忽或使用不当有可能导致操作人员或他人受到伤害或死亡。
- (图 3) 请仔细阅读说明书，确保在充分理解各项说明之后再使用本产品。
- (图 4) 注意抛掷物和反弹物。

预期用途

使用产品修剪草坪。切勿将产品用于其他任务。

- (图 5) 确保人员和动物与工作区域保持安全距离。
- (图 6) 执行维修或维护作业之前，务必将引擎熄火并拆下点火线。
- (图 7) **警告：**使手和脚远离回转型部件。
- (图 8) **警告：**使手和脚远离正在旋转的刀片。
- (图 9) 本产品符合适用的 EC 指令的要求。
- (图 10) 环境噪音释放符合欧盟指令 2000/14/EC 和新南威尔士州法规“2017 年环境行动（噪音控制）保护法规”的要求。噪音排放数据可在机器标签和技术资料章节中找到。
- (图 11) 扫描码。

注意：有关本产品上的其他符号/标识，请参阅适用于某些商用领域的认证要求。

产品上的标识（仅适用于澳大利亚和新西兰）

(图 12)

使手和脚远离正在旋转的刀片。

欧五排放



警告：对发动机进行篡改将使本产品的 EU 型式检验失效。

产品责任

如产品责任法律中所引用的，在以下情况下，我们对我们的产品所导致的损坏不承担责任：

- 未正确修理产品。
- 使用并非来自制造商或者未获得制造商批准的零部件修理产品。
- 产品具有并非来自制造商或者未获得制造商批准的附件。

- 未在获得批准的服务中心修理产品，或者并非由获得批准的机构修理产品。

安全性

安全定义

本手册使用了“警告”、“小心”和“注意”来指出特别重要的内容。



警告： 当不遵守手册中的说明可能会给操作员或周围人员带来伤害或死亡风险时，会使用此标志。



小心： 当不遵守手册中的说明可能会对产品、其他材料或附近区域造成损坏时，会使用此标志。

注意： 用于提供特定状况下所需的更多信息。

一般安全须知



警告： 请在使用本产品前阅读下面的警告说明。

- 如果使用不当，或者如果您不小心，则本产品非常危险。如果未遵守一般安全须知，可能会导致伤害或死亡。
- 本产品在操作期间会产生电磁场。电磁场在某些情况下会干扰有源或无源医疗植入体。为了减少严重或致命性伤害风险，我们建议使用医疗植入体的人员在操作本产品之前先咨询其医生及医疗植入体制造商。
- 请务必多加小心，并运用常识来判断。如果您不确定在特殊情况下如何操作本产品，请停止操作并与您的 Husqvarna 经销商联系。
- 切记，操作员将对涉及他人或其财产的事故负责。
- 请保持产品清洁。确保您可以清楚地阅读标记和标签。
- 务必确保操作员已阅读并理解说明书的内容，否则不得使用本产品。
- 切勿让儿童操作本产品。
- 请让儿童远离工作区域。成人监督人必须始终在场。
- 切勿让不熟悉使用说明书的人员操作产品。
- 若使用产品的人员身体能力或心智能力降低，务必对其进行监督。成人监督人必须始终在场。
- 当您感到疲倦、生病或受到酒精、麻药或药物的影响时，请勿使用本产品。这些因素会对您的视觉、警惕性、协调能力或判断力产生不良影响。
- 如果本产品有缺陷，切勿使用。
- 如果本产品可能被他人改动过，请勿再进行改动或使用。
- 不要更改引擎速度控制的设置。

工作区安全



警告： 请在使用本产品前阅读下面的警告说明。

- 在使用本产品之前，请清除作业区域中的树枝、枝杈和石头等物体。
- 这些物体碰撞到切割设备会被弹出，导致人员受伤和物体损坏。确保附近人员和动物与本产品保持安全距离。
- 切勿在雾天、雨天、强风、严寒和闪电等恶劣天气下使用本产品。在恶劣天气下或潮湿地点使用本产品容易令人感到疲倦。恶劣天气会导致危险的情况，如湿滑的路面。
- 留意可能妨碍本产品安全运行的人员、物体和情况。
- 留意如树根、石头、枝杈、坑和沟渠等障碍。茂盛的草会隐藏障碍物。
- 在斜坡上割草可能非常危险。不要在坡度超过 15° 的地面上使用本产品。
- 面对斜坡操作本产品。切勿上下移动。
- 在接近隐藏的角度和物体时请小心谨慎，以免阻碍视线。

作业安全



警告： 请在使用本产品前阅读下面的警告说明。

- 本产品仅用于切割草坪。不允许用于其他任务。
- 使用个人防护装备。请参阅 *个人防护装备* 在第 357 页上。
- 确保您知道在紧急情况下如何快速让引擎停止工作。
- 切勿在封闭空间或易燃物品附近启动引擎。引擎排出的废气浓烟温度很高，并可能带有火花，能引发火灾。
- 除非已正确连接刀片和所有盖板，否则请勿操作本产品。未正确连接的刀片可能松动，导致人身伤害。
- 确保刀片不会碰到石头和树根等物体。这会损坏刀片，并折弯引擎轴。一旦引擎轴折弯，就会导致严重振动，同时刀片松动风险会变得极高。
- 如果刀片碰撞到任何异物或者发生振动，请立即关闭本产品。将点火线从火花塞上断开。检查本产品是否损坏。维修损坏的地方或让授权的保养厂执行维修。
- 启动引擎时，切勿将引擎制动手柄永久连接至手柄。
- 将本产品放置在稳定、平坦的地面上，然后将其启动。确保刀片不会碰撞到地面或其他物体。
- 当您操作本产品时，请始终站在本产品的后面。

- 在操作本产品时使所有车轮接触地面，并将双手放在手柄上。手和脚远离正在旋转的刀片。
- 引擎启动后，切勿倾斜本产品。
- 向后拉动本产品时请小心谨慎。
- 切勿在引擎运行时吊装本产品。如果必须吊装本产品，务必先将引擎熄火，并将点火线从火花塞上断开。
- 在操作本产品时切勿倒退行走。
- 当您在没有草的区域移动时，例如在石砾、石头和沥青道路上移动时，应将引擎熄火。
- 切勿在引擎运行时和本产品一起跑着移动。操作本产品时始终保持步行。
- 在更改修剪高度之前，请先将引擎熄火。切勿在引擎运行时进行调整。
- 切勿在引擎运行时将本产品置于视线以外的地方。将引擎熄火，确保切割设备不转动。

操作安全须知

个人防护装备



警告： 请在使用本产品前阅读下面的警告说明。

- 个人防护装备不能完全避免受伤，但当意外发生时，可降低伤害程度。请经销商协助您选择正确的防护装备。
- 如果噪声级高于 85 dB，请使用听觉保护设备。
- 穿上结实耐磨防滑靴或防滑鞋。请勿穿凉鞋或赤脚。
- 请穿上厚实长裤。
- 必要时戴上保护手套，例如在安装、检查或清洁切割设备时。

产品上的安全装置



警告： 请在使用本产品前阅读下面的警告说明。

- 切勿在安全装置有故障的情况下使用产品。
- 定期检查安全装置。如果安全装置有故障，请联系您的 Husqvarna 保养厂。

检查切割防护盖

切割防护盖可降低本产品产生的振动，并降低被刀片割伤的风险。

- 检查切割防护盖，确保没有损坏，如裂缝。

检查皮带保护罩

皮带保护罩可降低割伤的风险，并确保断裂的驱动皮带不会弹出。

- 确保皮带保护罩没有损坏且已正确安装。(图 13)

检查皮带保护罩

皮带保护罩可降低割伤的风险，并确保断裂的驱动皮带不会弹出。

- 确保皮带保护罩没有损坏且已正确安装。(图 14)

引擎制动手柄

引擎制动手柄可让引擎停止运行。当引擎制动手柄松开时，引擎会停止运行。

要检查引擎的制动情况，请启动引擎，然后松引擎制动手柄。如果引擎未能在 3 秒内停止运行，应请许可的 Husqvarna 保养厂调整引擎制动。

(图 15)

检查防振系统



警告： 血液循环不佳的人受到过度振动时，可能会导致血液循环系统或神经受损。如果您因过度振动而引起以下症状，请就医。这些症状包括：麻木、失去知觉、麻刺、刺痛、疼痛、虚弱、肤色或皮肤状况发生变化。这些症状通常出现在手指、双手或手腕上。

防振系统可降低运行期间手柄的振动级别。

手柄杆和切割防护盖中的钢管可降低振动级别。KLIPPO LB 548S e 的手柄杆上还安装了 4 个减振装置。

- 检查手柄杆和减振装置，以确保没有损坏。(图 16)

刀片支撑

刀片支撑可降低引擎轴折弯的风险。如果刀片碰到物体，刀片会靠着刀片支架移动。移动会造成刀片支撑表面磨损。磨损表示引擎轴的保护功能正常。

消音器

消音器用于最大程度降低噪音并将引擎的废气浓烟导离操作人员。

如果消音器缺失或有缺陷，请勿使用本产品。消音器损坏时噪音会增大，并且有导致起火的风险。



警告： 消音器在使用期间和之后以及当引擎以急速运转时会变得很烫。务必当心附近的易燃材料和/或烟雾，以防引起火灾。

检查消音器

- 定期检查消音器，确保其安装正确且无损坏。

燃油安全须知



警告： 请在使用本产品前阅读下面的警告说明。

- 如果产品上沾染燃油或引擎机油，切勿启动产品。去除多余的燃油/机油，使产品保持干燥。

- 如果燃油溅到衣物上，请立即更换衣物。
- 切勿使身体沾染上燃油，否则可能会导致伤害。如果燃油溅到身上，必须使用肥皂和水洗净。
- 如果引擎发生泄漏，切勿启动产品。定期检查引擎是否有泄漏。
- 请小心处理燃油。燃油易燃，油烟具有爆炸性，并且可能导致伤害或死亡。
- 切勿吸入油烟，它可能导致伤害。确保充分通风。
- 切勿在燃油或引擎附近吸烟。
- 切勿在燃油或引擎附近放置高温物体。
- 切勿在引擎运转期间添加燃油。
- 确保重新加注燃油之前，引擎处于冷却状态。
- 重新加注燃油之前，缓缓打开燃油箱盖，并小心释放压力。
- 切勿在室内为引擎添加燃油。通风不充分情况下，可能由于窒息性气体或一氧化碳的原因而导致伤害或死亡。
- 完全拧紧燃油箱盖。如果燃油箱盖没有拧紧，则有失火的风险。
- 启动之前，将产品从加油位置移开至少 3 米 / 10 英尺。
- 请勿将燃油箱完全加满油。热量会使燃油膨胀。为燃油箱顶部保留一定的空间。

维护安全须知



警告： 请在使用本产品前阅读下面的警告说明。

- 引擎排出的废气中含有一氧化碳，这是一种极危险的无味有毒气体。切勿在室内或密闭空间中启动引擎。
- 在对本产品进行任何维护之前，务必先将引擎熄火，并将点火线从火花塞拆下。
- 维护切割设备时，请戴上保护手套。刀片非常锋利，很容易造成割伤。
- 未经制造商批准加装附件或改动产品可能导致严重的伤害或死亡。切勿改动本产品。始终使用获得制造商批准的零件。
- 如未正确和定期地进行维护，导致伤害的风险和损坏产品的风险将会增加。
- 只能进行此用户手册所述的维护工作。所有其他保养操作必须由许可的 Husqvarna 保养厂完成。
- 由许可的 Husqvarna 保养厂定期对本产品进行保养。
- 更换已经损坏、磨损或破损的零件。

安装

简介



警告： 在安装本产品之前，您必须阅读并理解安全章节。



警告： 安装产品之前，先拆下火花塞中的火花塞电缆。

装配和调整手柄

1. 从上手柄的板上拆下手柄螺母和垫片。
2. 将上手柄在下手柄顶部放置到位。



小心： 确保电线未被卡住或损坏。

3. 装上垫片和手柄螺母。(图 17)
4. 当您在墙壁附近操作本产品时，请将手柄转到侧面以获得良好的操作位置。(图 18)
5. 转动底盘上的调整轮以垂直调整手柄。(图 19)

装配地面覆盖插件 KLIPPO LB 448S, KLIPPO LB 548S e

1. 使火花塞朝上，向后倾斜产品。
2. 从切割防护盖内侧将地面覆盖插件的销置于孔中。(图 20)
3. 从切割防护盖的外侧为地面覆盖插件安装螺钉。(图 21)

操作

引言



警告： 在使用本产品之前，您必须阅读并理解安全章节。

Husqvarna Connect

Husqvarna Connect 是一款可在移动设备上免费使用的应用程序。Husqvarna Connect 应用程序可为您的 Husqvarna 产品提供扩展功能：

- 扩展产品信息。
- 关于帮助、产品零件和保养的信息。

开始使用 Husqvarna Connect

1. 将 Husqvarna Connect 应用程序下载至您的移动设备。
2. 在 Husqvarna Connect 应用程序中注册。
3. 执行 Husqvarna Connect 应用程序中的说明步骤以连接并注册产品。

操作产品之前

1. 请认真阅读本说明书，确保您充分理解各项说明。
2. 检查切割设备，确保其连接正确且调整得当。请参阅 *润滑切割设备在第 361 页上*。
3. 加注燃油箱。请参阅 *添加燃油在第 359 页上*。
4. 加注机油箱并检查机油油位。请参阅 *检查机油油位在第 361 页上*。

添加燃油

如果可行，请使用低排放/烷基化汽油。如果没有低排放/烷基化汽油，可使用优质无铅汽油或辛烷值不低于 90 的含铅汽油。



小心：切勿使用辛烷值低于 90 RON (87 AKI) 的汽油。这可能导致损坏产品。

1. 缓慢打开燃油箱盖以释放压力。
2. 用燃油罐慢慢加油。如果有燃油溅出，请用布擦拭，然后让剩余的燃油挥发掉。
3. 将燃油箱盖四周清理干净。
4. 完全拧紧燃油箱盖。如果燃油箱盖没有拧紧，则有失火的风险。
5. 启动之前，将产品从加油位置移开至少 3 m (10 ft)。

设置修剪高度

修剪高度有 6 个可调级别。

1. 向前移动修剪高度调节杆，以增加修剪高度。
2. 向后移动修剪高度调节杆，以降低修剪高度。



小心：切勿将修剪高度设置得太低。如果草坪表面不平，刀片可能会碰到地面。

引言



警告：进行维护之前，您必须阅读并理解安全须知章节。

要对本产品执行任何保养和维修工作，都需要经过特殊培训。我们承诺提供专业的维修和保养。如果您的经销商不是保养代理商，请联系该经销商以获取离您最近的保养代理商的信息。

启动产品

1. 确保将点火线连接至火花塞中。
2. 打开燃油阀。(图 22)
3. 站在本产品后面。
4. 握住引擎制动手柄，使其紧靠手柄杆。(图 23)
5. 用右手握住启动绳把手。
6. 慢慢拉出启动绳，直到感觉到有阻力。
7. 用力拉启动绳，以启动引擎。



警告：切勿将启动器绳绕在手上。



小心：切勿完全放开启动绳。当启动绳拉出时，切勿放开启动绳把手。

使用车轮上的驱动装置

- 向下推驱动杆。(图 24)
- 在向后拉动产品之前，松开驱动装置，然后将产品向前推动约 10 厘米。
- 将引擎制动手柄松开一段距离以脱离驱动装置，例如，当您靠近障碍物时。

关闭产品

- 要仅停止驱动装置，将引擎制动手柄松开一段距离。
- 要将引擎熄火，请完全松开引擎制动手柄。
- 关闭燃油阀。(图 25)

为获得良好的作业效果

- 务必使用锐利的刀片。钝刀片会产生不规则的结果，且草的切割表面会变黄。此外，锐利的刀片比钝刀片更加节能。
- 修剪高度不得超过草长的 $\frac{1}{3}$ 。从较高的修剪高度开始切割。检查结果，将修剪高度降低到合适的水平。如果草非常长，请缓慢前进，必要时切割 2 次。
- 每次的修剪方向不应相同，以防止草坪上出现条纹。

维护

维修时间表

维护间隔在产品每天使用的情况下计算得出。如果产品并非每天使用，维护间隔会有所不同。

有关 * 所标识的维护，请参阅 *产品上的安全装置在第 357 页上* 中的说明。

维护	每天	每周	每月
执行一般性检查	X		
检查机油油位	X		
清洁本产品	X		
清洁空气滤清器	X		
检查切割设备	X		
检查切割防护盖*	X		
检查引擎制动手柄*	X		
检查消音器*		X	
检查火花塞		X	
检查驱动皮带是否损坏			X
清洁齿轮箱			X
更换机油（使用 5 小时后首次更换，之后每使用 25 小时后及每年更换一次）			X
更换空气滤清器			X
检查燃油系统			X
检查并调整驱动器（离合器导线）			X

进行一般性检查

- 确保产品上的所有螺母和螺丝都已正确上紧。

清洁本产品的外部

- 用刷子清除树叶、草和污垢。
- 确保引擎顶部的进气口畅通无阻
- 不要使用高压清洗机清洁产品。
- 如果用水清洁本产品，切勿用水直接冲洗引擎。

清洁切割防护盖的内表面

1. 将本产品侧放，消音器朝下。



小心： 如果以空气滤清器朝下的方式放置本产品，可能导致引擎损坏。

2. 用水冲洗切割防护盖的内表面。

检查驱动皮带并清洁齿轮箱

1. 拆下皮带防护罩上的 4 个螺钉，拆下皮带保护罩。（图 26）
2. 检查驱动皮带和皮带滑轮是否损坏。
3. 用刷子清除齿轮箱中的树叶、草和污垢。（图 27）

更换并调节驱动皮带

1. 拆下皮带防护罩上的 4 个螺钉，拆下皮带保护罩。（图 26）

2. 将平头螺丝刀放在毂盖和产品右前轮上的轮之间。
3. 小心地旋转螺丝刀，拆下毂盖。
4. 拆下车轮螺栓并拆下车轮。（图 28）
5. 从皮带滑轮上取下驱动皮带。
6. 确保皮带滑轮可以在轴上顺畅移动。
7. 如果需要，在皮带滑轮之间和后部喷洒渗透润滑油，并润滑轴。
8. 安装新的驱动皮带，并将其正确安装在球轴承处，然后再调整驱动皮带。（图 29）
9. 向上或向下移动球轴承，以调整驱动皮带。（图 30）

注意： 新的驱动皮带在使用后会变长。运行数小时，再次调整驱动皮带。

10. 安装皮带保护罩。
11. 操作产品，确保驱动皮带正确安装和调整。

更换并调节中间皮带

1. 拆下刀片。

注意： 如果仅调节中间皮带，则无需执行此步骤。

2. 将调整螺钉拧松几圈，但不要将其取下。（图 31）
3. 更换中间皮带并适当地拧紧调整螺钉。

注意：如果仅调节中间皮带，则无需执行此步骤。

4. 向前或向后移动齿轮，以调整中间皮带。(图 32)
5. 使用吊钩检查中间皮带的张力。如果皮带可以在中间移动 6–10 mm，则张力正确。这相当于 3 kg 的拉力。(图 33)
6. 用 3 Nm 扭矩拧紧调整螺钉。
7. 操作产品，确保驱动皮带正确安装和调整。

润滑切割设备



警告：为防止意外启动，请将点火线从火花塞上拆下。



警告：维护切割设备时，请戴上保护手套。刀片非常锋利，很容易造成割伤。

1. 检查切割设备是否有损坏或裂痕。务必更换损坏的切割设备。
2. 检查刀片，查看是否损坏或变钝。

注意：每次磨利刀片后，必须对刀片进行平衡调整。让维修中心磨利、更换和平衡刀片。如果您撞到障碍物并导致本产品停止运行，请更换损坏的刀片。让维修中心评估刀片能否磨利还是必须更换。

更换刀片

1. 使用木块卡住刀片。(图 34)
2. 拆下刀片螺栓、弹簧垫片和刀片。(图 35)
3. 检查刀片支架和刀片螺栓是否损坏。
 - a) 如果更换刀片或刀片支架，则还要更换刀片螺栓、弹簧垫片和摩擦垫片。
4. 检查发动机轴，确保其未弯曲。
5. 安装新刀片时，确保弯曲端指向切割防护盖的方向。(图 36)
6. 将摩擦垫片和刀片紧靠在刀片支架上。(图 37)
7. 确保刀片与引擎轴中心对准。(图 38)
8. 使用木块卡住刀片。(图 39)
9. 安装弹簧垫片，并拧紧螺栓至扭矩为 80 Nm。(图 40)
10. 用手拉住刀片旋转，确保刀片转动自如。



警告：使用防护手套。刀片非常锋利，很容易割到手。

11. 启动本产品以测试刀片。如果刀片未正确安装，则本产品中存在振动，或切割结果令人不满意。

检查机油油位



小心：如果油位过低，可能导致引擎损坏。启动本产品之前，请先检查油位。

1. 将产品置于平坦地面上。
2. 关闭燃油阀。
3. 拆下带有油尺的机油箱盖。
4. 清洁油尺上的机油。
5. 将油尺放在油箱上，但不要将油箱盖拧紧。
6. 取出油尺。
7. 检查油尺上的油位。
8. 如果油位过低，加注发动机油后再次检查油位。当油位位于油尺上的顶部标记位置时，这表示油位正确。

更换引擎油



警告：引擎刚停止运行时，引擎油的温度会非常高。待发动机冷却后再排空引擎油。如果引擎油溅在皮肤上，请用肥皂和水清洗。

1. 操作产品，直至燃油箱无油。
2. 从火花塞上拆下点火线。
3. 拧下油箱盖。
4. 在产品下方放一个容器，以收集引擎油。
5. 倾斜产品，从油箱中排放引擎油。
6. 加注技术参数在第 362 页上中推荐的相应类型的新引擎油。
7. 检查油位。请参阅检查机油油位在第 361 页上。

清洁空气滤清器



小心：如果未安装空气滤清器或空气滤清器脏污，则请勿运行引擎。



小心：如果无法彻底清洁空气滤清器或空气滤清器已损坏，则将其更换。空气滤清器故障会造成引擎损坏。

1. 推动门锁卡舌 (A)，拆下空气滤清器外壳 (B)，然后取出空气滤清器 (C)。(图 41)
2. 将空气滤清器敲击硬表面或用压缩空气从空气滤清器的清洁侧吹扫。



小心：请勿使用刷子清除灰尘，因为这样会使灰尘进入空气滤清器中。

3. 用湿布清洁空气滤清器支架 (D) 和空气滤清器外壳。



小心： 确保没有灰尘进入空气管 (E)。

4. 安装空气滤清器。确保空气滤清器完全密封在空气滤清器支架上。
5. 安装空气滤清器外壳，首先安装底部卡舌。

检查火花塞



小心： 务必使用建议的火花塞类型。火花塞类型不正确可能导致产品损坏。

- 如果引擎动力不足，请检查火花塞是否不容易启动或者怠速时是否运行不正确。
- 为降低在火花塞电极上出现多余物质的风险，请遵循这些说明：
 - a) 确保已正确调节怠速。

b) 确保混合燃油正确。

c) 确保空气滤清器清洁。

- 如果火花塞脏污，请进行清洁并确保电极间隙正确，请参阅 *技术参数* 在第 362 页上。(图 42)
- 必要时请更换火花塞。

检查燃油系统

- 检查燃油箱盖和燃油箱盖的密封，确保没有损坏。
- 检查油管，确保不漏油。如果油管损坏，请让保养厂进行更换。

调节离合器拉线

如果感觉驱动速度很慢，则需要调节离合器拉线。

- 转动调节螺钉。(图 43)

离合器拉线支架与螺母对齐时，离合器拉线正确调整。

(图 44)

运输、存放和废弃处理

运输及存放

- 存放和运输产品和燃油时，确保不存在泄漏或烟雾。火花或明火（例如来自电气设备或锅炉等）可能引发火灾。
- 务必使用获得批准的容器存放和运输燃油。
- 将产品长期存放前，先清空燃油箱。在适当的处置地点处理燃油
- 在运输过程中安全地固定产品，以防止损坏和发生事故。
- 将产品放在上锁的区域，以防止儿童或他人擅自触碰。

- 将本产品存放在干燥、防冻的区域。

废弃处理

- 遵守当地的回收要求和适用的法规。
- 在服务中心或适当的处置地点处理所有化学品，如机油或燃油。
- 当产品不再可用时，将其发送给 Husqvarna 经销商或送至回收点处理。

技术参数

技术参数

	KLIPPO LB 448S	KLIPPO LB 453S	KLIPPO LB 548S e
发动机			
品牌	Honda	Honda	Honda
排量, cm ³	145	166	166
速度, rpm	2900	2900	2900
标称引擎输出, kW ¹⁴¹	2.7	3.3	3.3
点火系统			
火花塞	NGK BPR5ES	NGK BPR5ES	NGK BPR5ES

¹⁴¹ 标注的引擎功率额定值为引擎型号对应的典型生产引擎在指定转速下的平均净输出功率，根据 SAE 标准 J1349/ISO1585 测量。批量生产的引擎的该数值可能有所不同。最终产品中所安装引擎的实际功率输出将取决于运行速度、环境条件及其他值。

	KLIPPO LB 448S	KLIPPO LB 453S	KLIPPO LB 548S e
电极间隙 (mm)	0.7-0.8	0.7-0.8	0.7-0.8
燃油和润滑系统			
燃油箱容量 (L)	0.9	0.9	0.9
机油箱容量 (L)	0.55	0.5	0.55
引擎油 ¹⁴²	SAE 10W-30	SAE 10W-30	SAE 10W-30
重量			
(油箱均排空时), kg	30.5	33	32.5
噪音排放 ¹⁴³			
声功率级 (测量值), dB (A)	90	91	90
声能级, 保证值 L _{WA} dB (A)	91	94	91
声级 ¹⁴⁴			
操作员耳旁的声压级, dB (A)	77	78	78
振动水平, a_{hveq} ¹⁴⁵			
手柄, m/s ²	4.5	5.3	4.8
切割设备			
修剪高度, mm	30-60	30-60	30-60
割幅, mm	480	530	480
锯片	地面覆盖插件 - 48 cm 5028813-10	地面覆盖插件 - 53 cm 5028814-10	地面覆盖插件 - 48 cm 5028813-10
驱动			
速度, km/h	4.5	4.5	4.5

¹⁴² 使用质量为 SG-SH 的引擎油。请参阅引擎制造商手册中的粘度图, 并根据预期的室外温度选择最合适的粘度。

¹⁴³ 环境噪音排放以声功率 (L_{WA}) 量测, 符合 EC 指导文件 2000/14/EC 的要求。

¹⁴⁴ 噪音声压级按照 ISO 5395 进行测量。噪音声压级的上报数据中具有一个 1.2 dB(A) 的典型统计离差 (标准偏差)。

¹⁴⁵ 振级符合 ISO 5395 标准。等效振动水平的报告数据中具有 0.2 m/s² 的典型统计离差 (标准偏差)。

欧盟一致性声明

欧盟一致性声明

Husqvarna AB, SE-561 82 Huskvarna, Sweden, 电话 :
+46-36-146500, 声明自序列号 2020xxxxxxx 和以后的草
坪机 Husqvarna KLIPPO LB 448S, KLIPPO LB 453S,
KLIPPO LB 548S e 符合理事会指令的要求 :

- 2006 年 5 月 17 日“关于机械”的指令 **2006/42/EC**。
- 2014 年 2 月 26 日“关于电磁兼容性”的指令
2014/30/EU
- 2000 年 5 月 8 日“关于环境噪音释放”的指令
2000/14/EC
- 2011 年 6 月 8 日“关于在电气和电子设备中限制使用
某些有害物质”的指令 **2011/65/EU**

关于噪音释放信息, 请参阅技术资料。

适用标准如下 :

**EN ISO 5395-1, EN ISO 5395-2, EN ISO 5395-2 Amd1,
EN ISO 5395-2 Amd 2, EN 55012, EN 50581:2012**

如果未做其他说明, 那么以上所列各项标准皆为最新发布
的版本。

认证机构 : **0404, RISE SMP Svensk Maskinprovning
AB, Box 7035, SE-750 07 Uppsala** 根据 2000 年 5 月 8
日“关于环境中噪音释放”的欧洲理事会指令 2000/14/EC
附录 VI, 发布了合格评定报告。

Huskvarna, 2020-09-16



Claes Losdal, 开发经理/园林产品 (Husqvarna AB 授权
代表, 负责技术文档编制事务)



www.husqvarna.com

Original instructions
Оригинални инструкции
Původní pokyny
Originale instruktioner
Originalanweisungen
Αρχικές οδηγίες
Instrucciones originales
Originalaajuhend
Alkuperäiset ohjeet
Instructions d'origine
Originalne upute
Eredeti útmutatás
Istruzioni originali
取扱説明書原本
Originalios instrukcijos

Lietošanas pamācība
Originale instructies
Originale instruksjoner
Oryginalne instrukcje
Instruções originais
Instruċijuni iniġjale
Оригинальные инструкции
Põlvodné pokyny
Izvirna navodila
Originalna uputstva
Bruksanvisning i original
Orijinal talimatlar
Оригiнальнi iнструкцiї
原始说明

1142392-38



2020-10-16