



H Husqvarna®



580BTS Mark II, 580BFS Mark II

EN Operator's manual
ES-MX Manual del usuario
FR-CA Manuel d'utilisation

2-19
20-38
39-58

Contents

Introduction.....	2	Maintenance.....	13
Safety.....	4	Transportation and storage.....	16
Assembly.....	8	Technical data.....	17
Operation.....	11	Warranty.....	18

Introduction

Product description

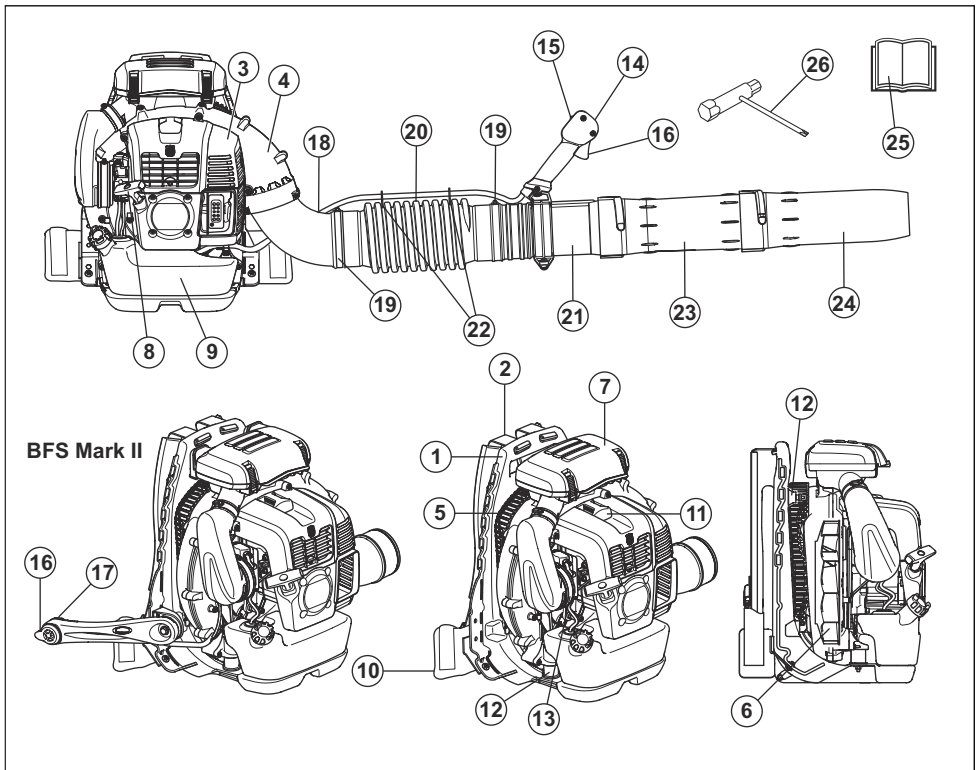
These products are backpack blowers with a fuel engine.

We have a policy of continuous product development and therefore reserve the right to modify the design and appearance of products without prior notice.

Intended use

Use the product to blow leaves and other unwanted material from areas such as lawns, pathways and asphalt roads.

Product overview



- | | |
|-----------------|----------------------|
| 1. Frame | 4. Fan housing |
| 2. Harness | 5. Air intake screen |
| 3. Engine cover | 6. Fan |

7. Air filter
8. Starter rope handle
9. Fuel tank
10. Waist belt
11. Spark plug
12. Vibration damping system
13. Choke control
14. Handle
15. Stop switch with throttle position adjustment
16. Throttle trigger/Throttle switch
17. Stop switch
18. Pipe angle
19. Clamp
20. Flexible hose
21. Control pipe
22. Cable clamp
23. Intermediate pipe
24. Blower nozzle
25. Operator's manual
26. Combination wrench

Symbols on the product



WARNING! This product is dangerous. Injury or death can occur to the operator or bystanders if the product is not used carefully and correctly. To prevent injury to the operator or bystanders, read and obey all safety instructions in the operator's manual.



Read the operator's manual carefully and make sure that you understand the instructions before use.



yyyywwxxxx

Note: Other symbols/decals on the product refer to certification requirements for other commercial areas.



Use approved hearing protection and approved eye protection. If the environment contains dust, use a breathing mask.



Use approved protective gloves.



Refueling.



Air purge bulb.



Keep all parts of your body away from hot surfaces.



Choke, open position.




Choke, close position.

The blower can forcibly throw objects that can bounce back. This can result in serious eye injuries if the recommended safety equipment is not used.

The blower operator must make sure that no bystanders or animals come nearer than 15 meters. Whenever several operators are working in the same work area, they should maintain a safe distance of at least 15 meters from one another.

The rating plate shows the serial number. **yyyy** is the production year, **ww** is the production week and **xxxxx** is the sequential number.


EMISSION CONTROL INFORMATION

 **HUSQVARNA**

**HUSQVARNA AB HUSKVARNA SWEDEN
THIS ENGINE MEETS U.S. EPA EXH/EVP
REGS FOR [] SORE. REFER TO
OPERATOR'S MANUAL FOR MAINTENANCE
SPECIFICATIONS AND ADJUSTMENTS.
EMISSIONS COMPLIANCE PERIOD: [] HRS**

The Emissions Compliance Period referred to on the Emission Compliance label indicates the number of operating hours for which the engine has been shown to meet Federal emissions requirement. Maintenance, replacement or repair of the emission control devices and system may be performed by any nonroad engine repair establishment or individual.

California Proposition 65



WARNING

The engine exhaust from this product contains chemicals known to the State of California to cause cancer, birth defects or other reproductive harm.

Product liability

As referred to in the product liability laws, we are not liable for damages that our product causes if:


- the product is incorrectly repaired.
- the product is repaired with parts that are not from the manufacturer or not approved by the manufacturer.


- the product has an accessory that is not from the manufacturer or not approved by the manufacturer.
- the product is not repaired at an approved service center or by an approved authority.

Safety

Safety definitions


Warnings, cautions and notes are used to point out specially important parts of the manual.

 **WARNING:** Used if there is a risk of injury or death for the operator or bystanders if the instructions in the manual are not obeyed.

 **CAUTION:** Used if there is a risk of damage to the product, other materials or the adjacent area if the instructions in the manual are not obeyed.

Note: Used to give more information that is necessary in a given situation.

General safety instructions

 **WARNING:** Read the warning instructions that follow before you use the product.

- Under no circumstances may the design of the product be modified without the permission of the manufacturer. Always use genuine accessories. Non-authorized modifications and/or accessories can result in serious personal injury or the death of the operator or others.
- Never use a product that has been modified in any way from its original specification.
- Never use a product that is faulty. Carry out the safety checks, maintenance and service instructions described in this manual. Some maintenance and service measures must be carried out by trained and qualified specialists. Refer to *Maintenance schedule on page 13* for instructions.

- All servicing and repair work on the product requires special training. This is especially true of the safety equipment. Never use a product with faulty safety equipment. If your product fails any of the checks described in this operator's manual you must contact your service agent. The safety equipment of the product must be maintained as described in this operator's manual. When you buy any of our products we guarantee the availability of professional repairs and service. If the retailer who sells your product is not a servicing dealer, ask him for the address of your nearest service agent.

Safety instructions for operation

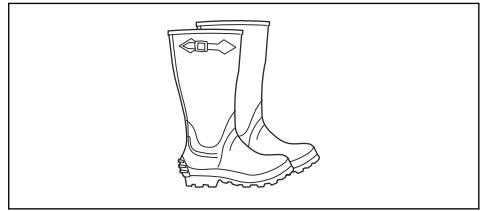


WARNING: Read the warning instructions that follow before you use the product.

- This product is a dangerous tool if used carelessly or incorrectly and can cause serious, even fatal injuries. It is extremely important that you read and understand the contents of this operator's manual.
- Long-term exposure to noise can result in permanent hearing impairment. Always use approved hearing protection.
- Do an overall inspection of the machine before use. Refer to *Maintenance schedule on page 13*.
- Never use the machine if you are tired, if you have drunk alcohol, or if you are taking medication that could affect your vision, your judgement or your coordination.
- Wear personal protective equipment. Refer to *Personal protective equipment on page 6*.
- All covers and guards must be fitted before starting. Ensure that the spark plug cap and ignition lead are undamaged to avoid the risk of electric shock.
- The blower operator must make sure that no bystanders or animals come nearer than 15 m. Whenever several operators are working in the same work area, they should maintain a safe distance of at least 15 m from one another.
- Never allow children to operate the machine. Never allow anyone else to use the machine without first ensuring that they have read and understood the contents of the operator's manual.
- Always check for any objects that may block the air intake screen before beginning work.
- Never remove the air intake screen.
- In case of emergency, release yourself from the machine by opening the waist and chest belt and let the machine fall backwards.
- Always contact local authorities and make sure you are following applicable directives.
- Keep all parts of your body away from hot surfaces.
- Never start the machine indoors. Exhaust fumes can be dangerous if inhaled.
- Observe and be aware of the surroundings. Ensure that no people or animals can come into contact with the product. If anyone approaches your work area, set the throttle control to the lowest throttle until the person is at a safe distance. Direct the product away from people, animals, play areas, open windows and cars etc. No unauthorised persons or animals may be present in the working area, which is 15 metres.
- Overexposure to vibration can lead to circulatory damage or nerve damage in people who have impaired circulation. Contact your doctor if you experience symptoms of overexposure to vibration. Such symptoms include numbness, loss of feeling, tingling, pricking, pain, loss of strength, changes in skin colour or condition. These symptoms normally appear in the fingers, hands or wrists. The risk increases at low temperatures.
- Engine exhaust fumes contain carbon monoxide, which can cause carbon monoxide poisoning. For this reason you should not start or run the product indoors, or anywhere that is poorly ventilated. The exhaust fumes from the engine are hot and may contain sparks which can start a fire. Never start the product indoors or near combustible material.
- Allow the engine to cool before refueling.
- The powerful currents of air can move objects at such a speed that they can bounce back and cause serious eye injuries.
- Do not direct the air jet towards people or animals.
- Do not use the machine in bad weather, such as dense fog, heavy rain, strong wind, intense cold, etc. Working in bad weather is tiring and can lead to dangerous conditions, e.g. slippery surfaces.
- Minimize the time of operation by lightly wetting dusty areas or using spray equipment.
- Make sure you can move and stand safely. Check the area around you for possible obstacles (roots, rocks, branches, ditches, etc.) in case you have to move suddenly. Take great care when working on sloping ground.
- Never put the product down with the engine running unless you have it in clear sight.
- Never operate the product from ladders or high places (such as roofs), it is prohibited and could result in severe injury.
- Do not use the product unless you are able to call for help in the event of an accident.
- Watch out for thrown objects. Always wear eye protection. Stones, rubbish, etc. can be thrown up into the eyes causing blindness or serious injury. Keep unauthorised persons at a distance. Children, animals, onlookers and helpers should be kept outside the safety zone of 15 m. Stop the machine immediately if anyone approaches.
- Do not operate the product if the exhaust gas outlet on the engine cover is covered by a wall and/or some other obstacles. The product could get damaged. Make sure that the distance is 50 cm or more from the obstacles during operation.
- Always stop the engine before cleaning.

- Always move the product away from the refueling area and source before starting. Place the product on a flat surface.
- The product may only be started in its complete design. If the product is started without all the guards fitted there is a risk of personal injuries.

- Use protective boots, or shoes, with non-slip soles.

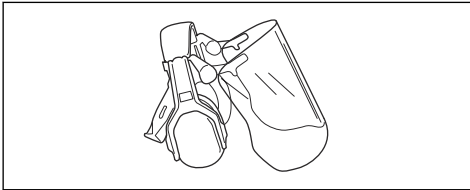


Personal protective equipment

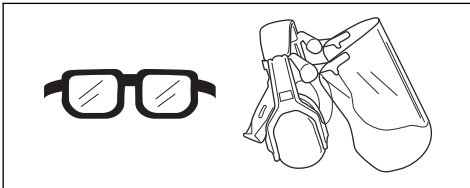


WARNING: Read the warning instructions that follow before you use the product.

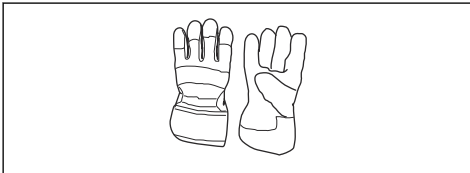
- Always use approved personal protective equipment when you use the product. Personal protective equipment cannot fully prevent injury but it decreases the degree of injury if an accident does occur. Let your dealer help you select the right equipment.
- Use approved hearing protection.



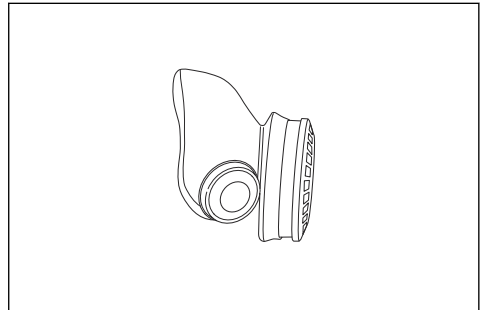
- Use approved eye protection. If you use a visor, you must also use approved protective goggles. Approved protective goggles must agree with the ANSI Z87.1 standard in the USA or EN 166 in EU countries.



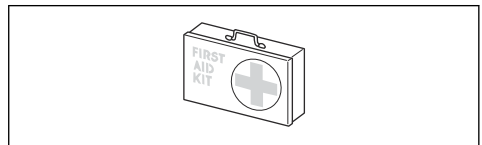
- Use gloves when it is necessary, for example, when you examine or clean the product.



- Use clothing made of a strong fabric. Always use heavy, long pants and long sleeves. Do not use loose clothing that can catch on twigs and branches. Do not wear jewelry, short pants, open shoes or go with bare feet. Put your hair up safely above your shoulders.
- Use breathing protection when there is a risk of dust.



- Keep first aid equipment close at hand.



Safety devices on the product



WARNING: Read the warning instructions that follow before you use the product.

In this section the product's safety features, its purpose and how checks and maintenance should be carried out to ensure that it operates correctly. See instructions under the heading *Product overview on page 2* to find where these parts are located on your product.

The life span of the product can be reduced and the risk of accidents can increase if product maintenance is not carried out correctly and if service and/or repairs are not carried out professionally. If you need further information please contact your nearest servicing dealer.



WARNING: Never use a product with defective safety components. The product's safety equipment must be inspected and

maintained as described in this section. If your product fails any of these checks, contact your service agent to get it repaired.



CAUTION: All servicing and repair work on the machine requires special training. This is especially true of the machine's safety equipment. If your machine fails any of the checks described below you must contact your service agent. When you buy any of our products we guarantee the availability of professional repairs and service. If the retailer who sells your machine is not a servicing dealer, ask him for the address of your nearest service agent.

To do a check of the muffler



WARNING: Do not use a product with a defective muffler.



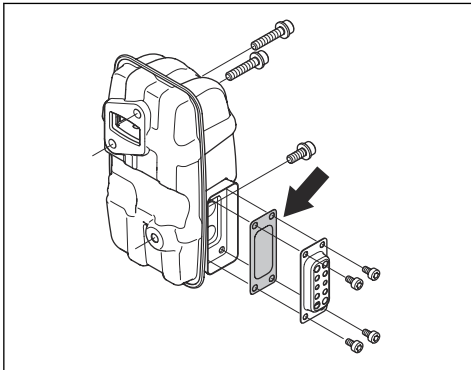
WARNING: The muffler becomes very hot during and after operation, also at idle speed. Use protective gloves to prevent burn injuries.

The muffler keeps noise levels to a minimum and sends exhaust fumes away from the operator.

1. Stop the engine.
2. Do a visual check for damage and deformation.

Note: The inner surfaces of the muffler contain chemicals that can cause cancer. Be careful not to touch these elements if the muffler is damaged.

3. Make sure that the muffler is correctly attached to the product. Tighten the screws to 8-12 Nm.

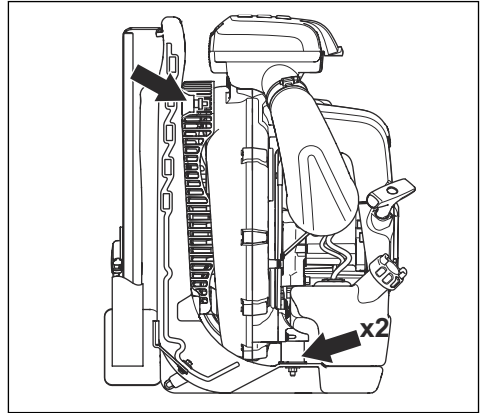


4. Examine the spark arrester screen, do a visual check.
 - a) Replace the spark arrester screen if it is damaged.

- b) Clean the spark arrester screen if it is blocked. Refer to *To do maintenance of the muffler on page 14* for more information.

Vibration damping system

The product has a vibration damping system that decreases vibrations and makes operation easier. Examine the vibration damping system and make sure that it is not damaged. Make sure that the vibration damping system is attached correctly.

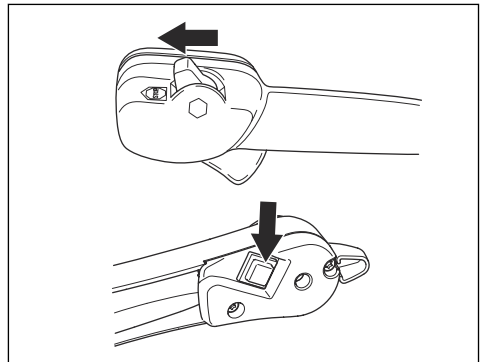


Air filter

Do not use the product without an air filter or if the air filter is damaged or has a deformation.

Stop switch

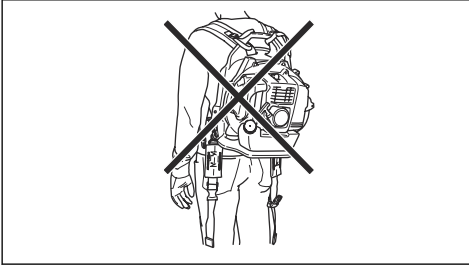
Use the stop switch to stop the engine. Make sure that the engine stops fully.



Harness safety

Always use the harness when you operate the product. If you do not use the harness, you cannot operate the product safely. This can result in injury to you or other persons. Make sure that the waist belt and chest strap

are attached and correctly adjusted. There is a risk that an open belt can go into the fan of the product.



Fuel safety



WARNING: Read the warning instructions that follow before you use the product.

- Do not mix the fuel indoor or near a heat source.
- Do not start the product if there is fuel or engine oil on the product. Remove the unwanted fuel/oil and let the product dry. Remove unwanted fuel from the product.
- If you spill fuel on your clothing, change clothing immediately.
- Do not get fuel on your body, it can cause injury. If you get fuel on your body, use a soap and water to remove the fuel.
- Do not start the engine if you spill oil or fuel on the product or on your body.
- Do not start the product if the engine has a leak. Examine the engine for leaks regularly.
- Be careful with fuel. Fuel is flammable and the fumes are explosive and can cause injuries or death.
- Do not breathe in the fuel fumes, it can cause injury. Make sure that there is a sufficient airflow.
- Do not smoke near the fuel or the engine.
- Do not put warm objects near the fuel or the engine.
- Do not add the fuel when the engine is on.
- Make sure that the engine is cool before you refuel.

- Before you refuel, open the fuel tank cap slowly and release the pressure carefully.
- Do not add fuel to the engine in an indoor area. Not sufficient airflow can cause injury or death because of asphyxiation or carbon monoxide.
- Tighten the fuel tank cap carefully or a fire can occur.
- Move the product at a minimum of 3 m (10 ft) from the position where you filled the tank before a start.
- Do not put too much fuel in the fuel tank.
- Make sure that a leak cannot occur when you move the product or fuel container.
- Do not put the product or a fuel container where there is an open flame, spark or pilot light. Make sure that the storage area does not contain an open flame.
- Only use approved containers when you move the fuel or put the fuel into storage.
- Empty the fuel tank before long-term storage. Obey the local law on where to dispose fuel.
- Clean the product before long-term storage.
- Remove the spark plug cap before you put the product into storage to make sure that the engine does not start accidentally.

Safety instructions for maintenance



WARNING: Read the warning instructions that follow before you use the product.

- Your warranty may not cover damage or liability caused by the use of non-authorized accessories or replacement parts.
- The inside of the muffler contains chemicals that may be carcinogenic. Avoid contact with these elements in the event of a damaged muffler.
- Stop the engine before assembling or dismantling accessories or other parts.
- Check that the thick round pin in the clamp is inserted in the strap. If it is inserted incorrectly it may lead to personal injury.

Assembly

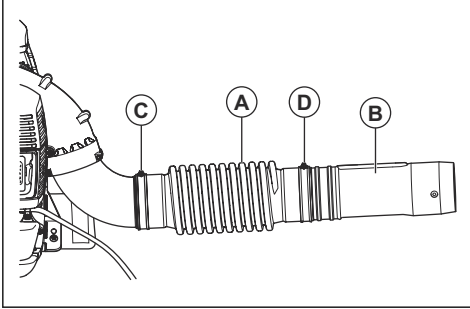
Introduction



WARNING: Read and understand the safety chapter before you assemble the product.

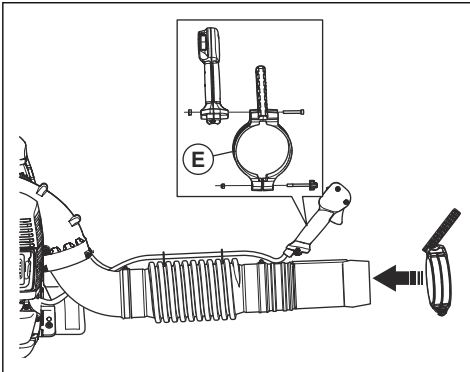
To assemble the tube and handle on the product :580BTS Mark II

1. Attach the flexible hose (A) to the pipe angle and the control pipe (B) with the clamps (C), (D).

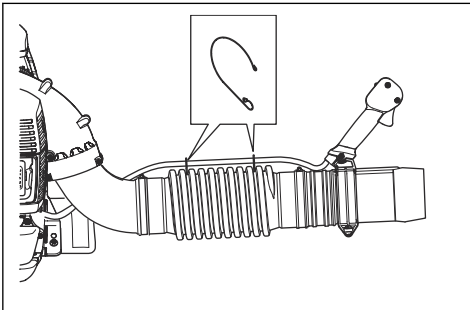


Note: Lubricate the control pipe and the flexible hose to make them more easy to assemble.

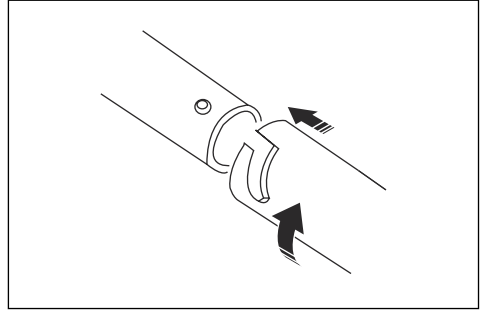
2. Attach the handle (E) to the control pipe and put the knob through the handle.



3. Tighten the knob.
4. Attach the cable to the flexible hose with the cable clamp.



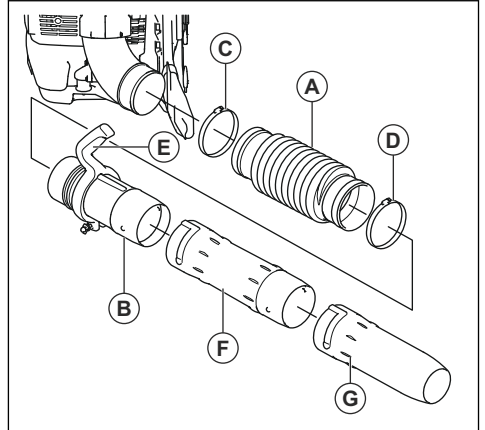
5. Attach the intermediate pipe to the control pipe.



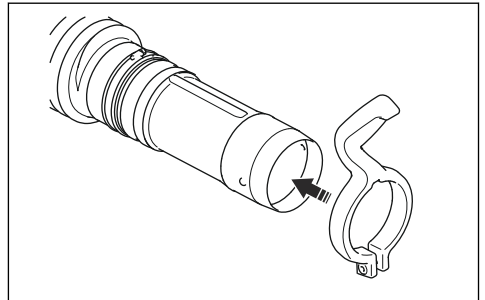
6. Attach the blower nozzle to the intermediate pipe.

To assemble the tube and handle on the product :580BFS Mark II

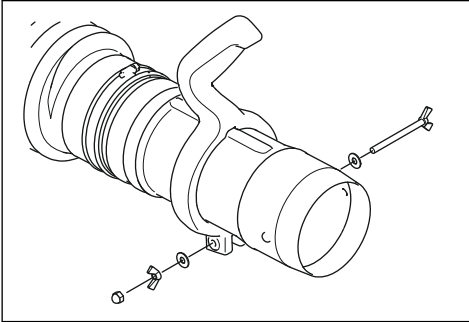
1. Attach the flexible tube (A) to the pipe angle with the clamp (C).



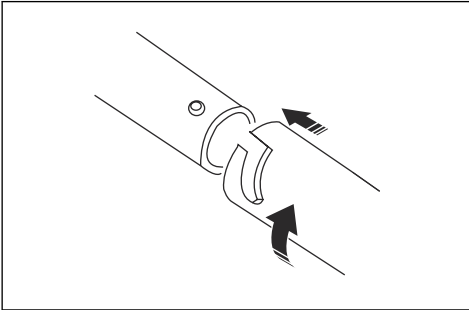
2. Push the handle (E) onto the control pipe (B)



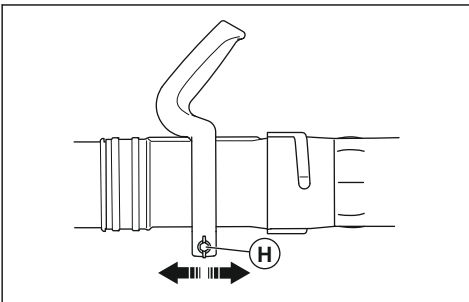
3. Attach and tighten the bolt, washer and nuts as shown in the illustration.



4. Attach the control pipe (B) to the flexible tube (A) with the clamp (D). Make sure that the mark on the control pipe is up.
5. Attach the intermediate pipe (F) to the control pipe.



6. Attach the blower nozzle (G) to the intermediate pipe.
7. Loosen the knob (H) to adjust the position of the handle.

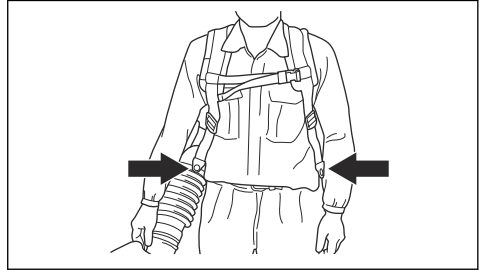


8. Tighten the knob again.

To adjust the harness

A correctly adjusted harness and product makes operation easier.

1. Put on the harness of the product.
2. Tighten the side straps until the product is tight against your body.



3. Connect the chest strap to the clip.
4. Tighten the strap.

Operation

Introduction



WARNING: Read and understand the safety chapter before you use the product.

Fuel

To use fuel



CAUTION: This product has a two-stroke engine. Use a mixture of gasoline and two-stroke engine oil. Make sure to use the correct quantity of oil in the mixture. Incorrect ratio of gasoline and oil can cause damage to the engine.

Husqvarna alkylate fuel



CAUTION: Do not use gasoline with an octane number less than 90 RON (87 AKI). This can cause damage to the product.



CAUTION: Do not use gasoline with more than 10% ethanol concentration (E10). This can cause damage to the product.



CAUTION: Do not use leaded gasoline. This can cause damage to the product.

We recommend Husqvarna alkylate fuel for best performance. This fuel gives less dangerous exhaust fumes compared to regular fuel. It keeps the engine clean and increases the engine life. Husqvarna alkylate fuel is not available in all commercial areas.

- Always use new unleaded gasoline with a minimum octane number of 90 RON (87 AKI) and with less than 10% ethanol concentration (E10).
- Use gasoline with a higher octane number if you frequently use the product at continuously high engine speed.
- Always use a good quality unleaded gasoline/oil mixture.

Two-stroke oil

- For best results and performance use Husqvarna two-stroke oil, which is specially formulated for our two-stroke engines.
- If Husqvarna two-stroke oil is not available, use a different two-stroke oil of good quality that is formulated for air-cooled engines. Consult your servicing dealer when you select an oil.

- Do not use two-stroke oil for water-cooled outboard engines, also referred to as outboard oil.
- Do not use oil intended for four-stroke engines.

Gasoline, l	Two-stroke oil, l
	2% (50:1)
5	0.10
10	0.20
15	0.30
20	0.40
US gallon	US fl. oz.
1	2 ½
2 ½	6 ½
5	12 ¾

To make the fuel mixture

Note: Always use a clean fuel container when you mix the fuel.

Note: Do not make more than 30 days quantity of fuel mixture.

1. Add half of the gasoline quantity.
2. Add the full quantity of oil.
3. Shake the fuel mixture to mix the contents.
4. Add the remaining gasoline quantity.
5. Shake the fuel mixture to mix the contents.
6. Fill the fuel tank.

To add fuel

- Always use a fuel container with an antispill valve.
- If there is some fuel on the container, remove the unwanted fuel and let the container dry.
- Make sure that the area near the fuel tank cap is clean.
- Shake the fuel container before you add the fuel mixture to the fuel tank.

To add fuel to the fuel tank

1. Stop the product.
2. Put the product on a flat surface.
3. Loosen the fuel tank cap to release the pressure in the fuel tank.
4. Remove the fuel tank cap.

5. Fill the fuel tank to 80%.
6. Tighten the fuel tank cap fully.
7. Make sure that there is no leak in the fuel tank.

Before you operate the product



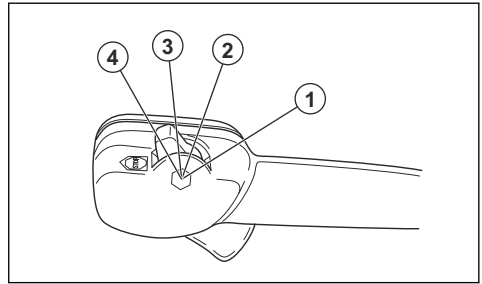
WARNING: Read the safety instructions before you operate the product.

- Use the blower with the lowest possible throttle. A lower throttle means less noise and less dust, and it is also easier to keep control over the rubbish collected together/moved. Use a rake or a brush to release rubbish stuck to the ground.
- Hold the opening of the blower as close to the ground as possible. Utilize the entire length of the blow pipe to keep the air current close to the ground. Clean up afterwards. Make sure that you have not blown rubbish into someone's garden. Operate power equipment only at reasonable hours, not early in the morning or late at night when people might be disturbed. Comply with times listed in local ordinances.
- This blower is a backpack type, and is carried using a shoulder harness while operating. It is operated and controlled with the handle on the tube using the right hand.
- The speed of the air jet is regulated by means of the throttle. Select the speed best suited for respective tasks.
- Check that the air intake is not blocked, for example, by leaves or rubbish. A clogged air intake reduces the machine's blowing capacity and increases the engine's working temperature, which can result in engine failure. Stop the engine and remove the object.
- Be aware of the wind direction. Work with the wind to make your work easier.
- Using the blower to move large piles is time consuming and creates unnecessary noise.
- Keep a good balance and a firm foothold.
- When work is finished the machine should be stored vertically.

To operate the throttle switch :580BTS Mark II

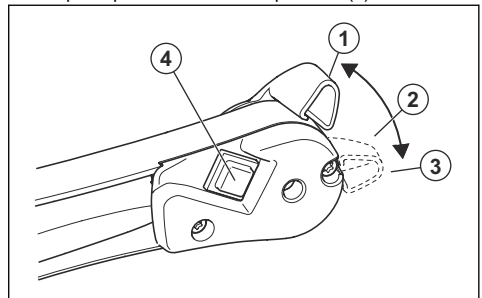
- Apply full throttle (1).
- Apply 1/3 speed (2).
- Apply idle speed (3).

- Stop the product with the stop switch (4).



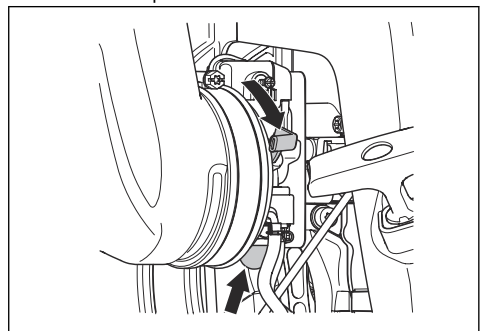
To operate the throttle switch :580BFS Mark II

- Apply full throttle (1).
- Apply 1/3 speed (2).
- Apply Idle speed (3).
- Stop the product with the stop switch (4).



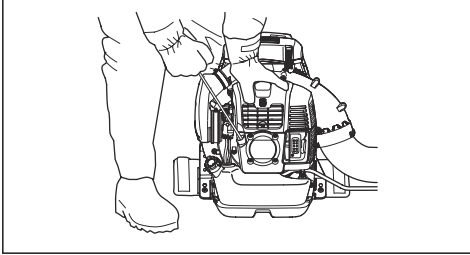
To start the product

1. If the engine is cold, push the choke lever to the closed choke position.



2. Push the air purge bulb again and again until fuel starts to fill the air purge bulb. It is not necessary to fill the air purge bulb fully.
3. Push the throttle lever to the 1/3 speed position. Refer to *To operate the throttle switch :580BTS Mark II on page 12.*

4. Put the product on a flat surface on the ground.
5. Hold the product with the left hand.



6. Put your right foot on the frame.
7. Pull the starter rope handle slowly until resistance occurs.
8. Pull the starter rope handle quickly with the right hand until the engine starts or attempts to start, maximum 10 times. If the engine starts, move the choke lever gradually to the open position.

Note: Do not pull the starter rope handle to full extension and do not let go of the starter rope handle.

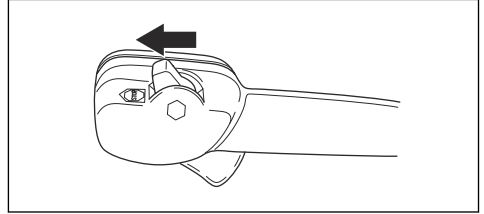
9. Move the choke lever to the open choke position until the choke lever stops.
10. Pull the starter rope handle repeatedly until the engine starts and continues to run.
11. If the engine does not start, do step 1 to step 10 again.
12. Let the engine run for 2-3 minutes to become warm before operation.

To stop the product :580BTS Mark II



CAUTION: Do not stop the product at full speed.

1. Push the throttle lever to the stop position.

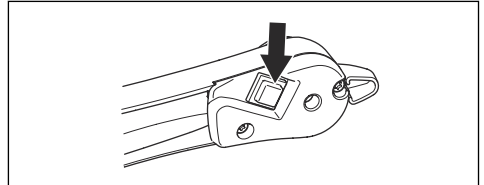


To stop the product :580BFS Mark II



CAUTION: Do not stop the product at full speed.

1. Push the stop switch.



Maintenance

Introduction



WARNING: Read and understand the safety chapter before you do maintenance on the product.

Maintenance schedule

Maintenance	Daily	Weekly	Monthly
Clean the external surface.	X		
Make sure that the throttle control operates correctly.	X		
Make sure that the stop switch operates correctly.	X		
Do a check of the stop switch, refer to <i>To stop the product :580BTS Mark II on page 13.</i>	X		
Examine the engine, the fuel tank and the fuel lines for leaks.	X		
Clean the air filter. Replace if it is necessary.	X		

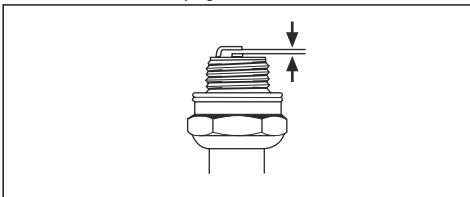
Maintenance	Daily	Weekly	Monthly
Tighten nuts and screws.	X		
Examine the fuel filter for contamination and the fuel hose for cracks and other defects. Replace if it is necessary.	X		
Examine the air intake and make sure that it is not blocked.	X		
Examine the starter and the starter rope for damages.		X	
Examine the vibration damping units for damages and cracks.		X	
Examine the spark plug, refer to <i>To do a check of the spark plug on page 14.</i>		X	
Clean the cooling system.		X	
Clean the external surface of the carburetor and the area around it.		X	
Clean the fuel tank.			X
Examine all cables and connections.			X
Examine and clean the spark arrester screen on the muffler.			X
Replace the spark plug. Make sure it is attached with a supressor.			X

To do a check of the spark plug



CAUTION: Use the recommended spark plug. Refer to *Technical data on page 17.* An incorrect spark plug can cause damage to the product.

- If the product is not easy to start or to operate or if the product operates incorrectly at idle speed, examine the spark plug for unwanted materials. To decrease the risk of unwanted material on the spark plug electrodes, do these steps:
 - make sure that the idle speed is correctly adjusted.
 - make sure that the fuel mixture is correct.
 - make sure that the air filter is clean.
- Clean the spark plug if it is dirty.
- Make sure that the electrode gap is correct. Refer to, *Technical data on page 17.*



- Replace the spark plug monthly or more frequently if necessary.

To clean the cooling system



CAUTION: A dirty or blocked cooling system can make the product too hot, which can cause damage to the product.

The cooling system includes the cooling fins on the cylinder and the air intake screen.

- Make sure that the cooling system is not dirty or blocked.
- Clean the cooling system with a brush weekly or more frequently if it is necessary.

To do maintenance of the muffler



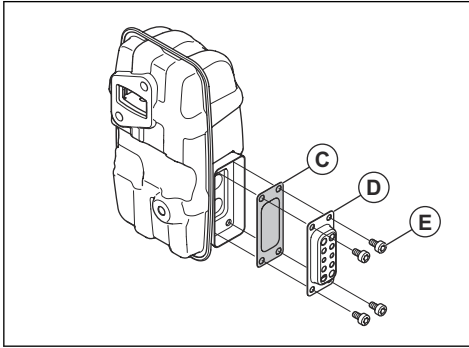
WARNING: Do not use a product with a defective muffler.



WARNING: The mufflers become very hot during and after operation, also at idle speed. Use protective gloves to prevent burn injuries.

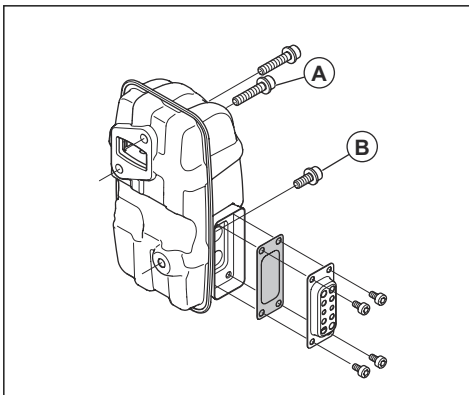
- Stop the engine and let the muffler become cool.
- Replace the spark arrester screen if it is damaged.

- Remove the screws (E) and remove the exhaust duct (D).



Note: The inner surfaces of the muffler contain chemicals that can cause cancer. Be careful not to touch these elements if the muffler is damaged.

- Remove the spark arrester screen (C) and clean it with a wire brush. Remove dirt from the inlet and outlet of the muffler with the wire brush. Also, remove dirt from the exhaust port of the cylinder with the wire brush.
- Attach the spark arrester screen (C) and the exhaust duct (D) with the screws (E). Tighten the screws to 2-3 Nm.
- Make sure that the muffler is correctly attached to the product. Tighten the screws (A) and (B) to 8-12 Nm.

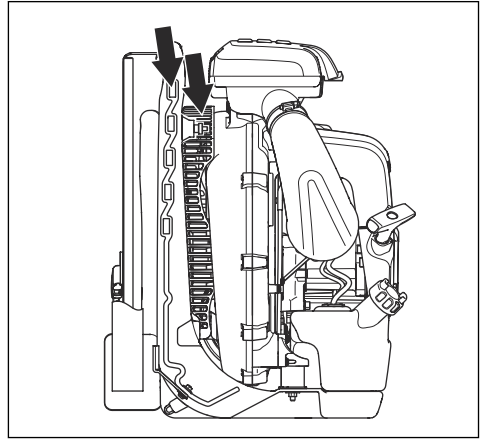


To examine the air intake screen

A clogged air intake screen decreases the blow force and increases the temperature of the engine. An increased temperature can result in engine failure.

- Stop the engine.

- Examine the air intake screen for damages and make sure that it is attached correctly.

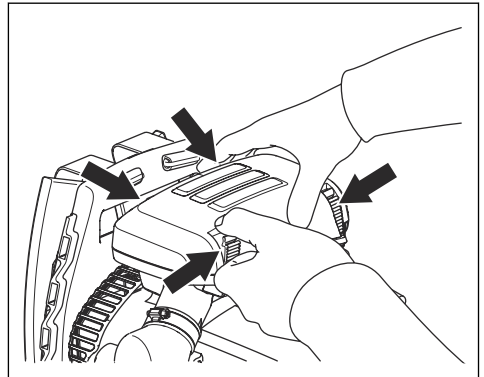


- Remove dirt, leaves and unwanted materials from the air intake screen.

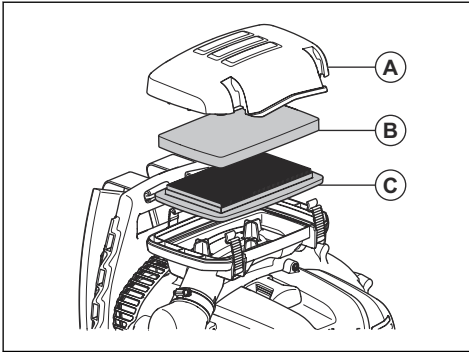
To clean the air filter

Clean the air filter regularly from dirt and dust. This prevents carburetor malfunctions, starting problems, loss of engine power, wear to engine parts and more fuel consumption than usual. Clean the air filter at an interval of 40 hours of operation or less if it is heavy operation conditions.

- Loosen the fasteners that holds the air filter cover in position.



2. Remove the air filter cover (A).



3. Remove the foam filter (B) and the paper filter (C) from the filter frame.
4. Replace the paper filter (C).
5. Clean the foam filter (B) with warm soap water.

Note: An air filter that is used for a long time can not be fully cleaned. Replace the air filter regularly and always replace a defective air filter.

6. Make sure that the foam filter (B) is dry.
7. Clean the inner surface of the air filter cover with a brush (A).

To replace the harness



WARNING: A damaged harness can make the product fall and cause injuries.

1. Stop the engine.
2. Remove the clamp from the strap.
3. Push the end of the strap through the hanger.
4. Pull the new strap through the hanger.
5. Attach the clamp to the new strap.

Transportation and storage

Transportation and storage

- For storage and transportation of the product and fuel, make sure that there are no leaks or fumes. Sparks or open flames, for example from electrical devices or boilers, can start a fire.
- Always use approved containers for storage and transportation of fuel.
- Empty the fuel tank before transportation or before long-term storage. Push the air purge bulb to make sure that all fuel is removed. Discard the fuel at an applicable disposal location.
- Make sure that the product is clean and that a complete service is done before long time storage.
- Remove the spark plug and put approximately 15 ml of two-stroke oil into the cylinder. Turn the product 3 times and attach the spark plug again.
- Attach the product safely during transportation.

Technical data

Technical data

	580BTS Mark II	580BFS Mark II
Engine		
Cylinder displacement, cm ³	75.6	75.6
Idle speed, rpm	2000	2000
Catalytic converter muffler	No	No
Speed-regulated ignition system	Yes	Yes
Ignition system¹		
Spark plug	NGK CMR7H	NGK CMR7H
Electrode gap, mm/in	0.6-0.7 / 0.024-0.028	0.6-0.7 / 0.024-0.028
Fuel and lubrication system		
Fuel tank capacity, l/US pint	2.6 / 5.5	2.6 / 5.5
Weight		
Weight, kg/lb	11.9 / 26.2	12.1 / 26.7
Sound levels²		
Equivalent sound pressure level at the operator's ear, measured according to ISO 22868:2011, dB(A)	104	104
Vibration levels³		
Equivalent vibration levels (a_{hveq}) at handles, measured according to ISO 22867:2011, m/s ²	2.2	3.1
Fan performance		
Maximum air velocity with standard nozzle, mph / m/s	206/92	206/92
Air flow with standard nozzle, cfm / m ³ /m	941/27	941/27

¹ The spark ignition system complies with the Canadian ICES-002 standard.

² The equivalent sound pressure level is calculated with a work cycle of a duration of 1/7 for idling and 6/7 for racing. Reported data for equivalent sound pressure level has a typical statistical dispersion (standard deviation) of 1 dB (A).

³ The equivalent vibration level value is calculated with a work cycle of a duration of 1/7 for idling and 6/7 for racing. Reported data for equivalent vibration level has a typical statistical dispersion (standard deviation) of 1 m/s².

Warranty

U.S FEDERAL, CALIFORNIA AND CANADA EXHAUST AND EVAPORATIVE EMISSIONS CONTROL WARRANTY STATEMENT

Note: This Annex is intended primarily for the consumer or occasional user.

IMPORTANT: This product is compliant with U.S. EPA Phase 3 regulations for exhaust and evaporative emissions. To ensure EPA Phase 3 compliance, we recommend using only genuine Husqvarna brand replacement parts. Use of non-compliant replacement parts is a violation of federal law.

YOUR WARRANTY RIGHTS AND OBLIGATIONS

The EPA (U.S. Environmental Protection Agency), CARB (California Air Resources Board), Environment Canada and Husqvarna Forest & Garden are pleased to explain the exhaust and evaporative emissions control system's warranty on your 2019-2020* small off-road engine. In California, new equipment that use small off-road engines must be designed, built, and equipped to meet State's stringent anti-smog standards. Husqvarna Forest & Garden must warrant the emissions control system on your small off-road engine for the periods of time listed below provided there has been no abuse, neglect or improper maintenance of your small off-road engine or equipment leading to the failure of the emissions control system. Your emission control system may include parts such as the carburetor or fuel-injection system, the ignition system, catalytic converter, fuel tanks, fuel lines (for liquid fuel and fuel vapors), fuel caps, valves, canisters, filters, clamps and other associated components. Also included may be hoses, belts, connectors, and other emission-related assemblies. Where a warrantable condition exists, Husqvarna Forest & Garden will repair your small off-road engine at no cost to you including diagnosis, parts and labor.

MANUFACTURER'S WARRANTY COVERAGE

The exhaust and evaporative emissions control system on your small off-road engine is warranted for two years. If any emissions-related part on your small off-road engine is defective, the part will be repaired or replaced by Husqvarna Forest & Garden.

OWNER'S WARRANTY RESPONSIBILITIES

- As the small off-road engine owner, you are responsible for performance of the required maintenance listed in your operator's manual. Husqvarna Forest & Garden recommends that you retain all receipts covering maintenance on your small off-road engine, but Husqvarna Forest & Garden cannot deny warranty solely for the lack of

receipts or your failure to ensure the performance of all scheduled maintenance.

- As the small off-road engine owner, you should however be aware that Husqvarna Forest & Garden may deny you warranty coverage if your small off-road engine or a part has failed due to abuse, neglect, or improper maintenance or unapproved modifications.
- You are responsible for presenting your small off-road engine to a Husqvarna Forest & Garden distribution center or service center as soon as the problem exists. The warranty repairs shall be completed in a reasonable amount of time, not to exceed 30 days. If you have any questions regarding your warranty rights and responsibilities, you should contact Husqvarna Forest & Garden in USA at 1-800-487-5951, in CANADA at 1-800-805-5523 or send e-mail correspondence to emissions@husqvarnagroup.com.

WARRANTY COMMENCEMENT DATE

The warranty period begins on the date the engine or equipment is delivered to an ultimate purchaser.

LENGTH OF COVERAGE

Husqvarna Forest & Garden warrants to the ultimate purchaser and each subsequent owner that the engine or equipment is designed, built, and equipped so as to conform with all applicable regulations adopted by EPA and CARB, and is free from defects in materials and workmanship that causes the failure of a warranted part for a period of two years.

WHAT IS COVERED

REPAIR OR REPLACEMENT OF PARTS: Repair or replacement of any warranted part under the warranty must be performed at no charge to the owner at a warranty station. Warranty services or repairs will be provided at all Husqvarna Forest & Garden distribution centers that are franchised to service the subject engines. Throughout the emissions warranty period of two years, Husqvarna Forest & Garden must maintain a supply of warranted parts sufficient to meet the expected demand for such parts.

WARRANTY PERIOD: Any warranted part that is scheduled for replacement as required in the maintenance schedule, is warranted for the period of time prior to the first scheduled replacement point for that part. If the part fails prior to the first scheduled replacement, the part will be repaired or replaced by Husqvarna Forest & Garden at no cost. Any such part repaired or replaced under warranty is warranted for the remainder of the period prior to the first scheduled replacement point for the part. Any warranted part that is not scheduled for replacement as required in the maintenance schedule, is warranted for two years. If any such part fails during the period of warranty coverage, it will be repaired and replaced by Husqvarna Forest &

Garden at no cost. Any such part repaired or replaced under the warranty is warranted for the remaining warranty period. Any warranted part that is scheduled only for regular inspection in the maintenance schedule will be warranted for a period of two years. A statement in such written instructions to the effect of "repair or replace as necessary" will not reduce the period of warranty coverage. Any such part repaired or replaced under warranty will be warranted for the remaining warranty period.

DIAGNOSIS: The owner must not be charged for diagnostic labor that leads to the determination that a warranted part is in fact defective, provided that such diagnostic work is performed at a warranty station.

CONSEQUENTIAL DAMAGES: Husqvarna Forest & Garden is liable for damages to other engine components proximately caused by a failure under warranty of any warranted part.

EMISSION WARRANTY PARTS LIST

1. Carburetor and internal parts.
2. Intake pipe, airfilter holder and carburetor bolts.
3. Airfilter and fuelfilter covered up to maintenance schedule.
4. Spark Plug, covered up to maintenance schedule.
5. Ignition Module.
6. Fuel tank, fuel line (for liquid fuel and vapor hoses), and fuel cap.

WHAT IS NOT COVERED

All failures caused by abuse, neglect or improper maintenance are not covered.

ADD -ON OR MODIFIED PARTS: Add-on or modified parts that are not exempted by CARB or EPA may not be used. The use of any non-exempted add-on or modified parts will be grounds for disallowing a warranty claim. Husqvarna Forest & Garden will not be liable to warrant failures of warranted parts caused by the use of a non-exempted add-on or modified part.

HOW TO FILE A CLAIM

If you have any questions regarding your warranty rights and responsibilities, you should contact your nearest authorized servicing dealer or call Husqvarna Forest & Garden in USA at 1-800-487-5951, in CANADA at 1-800-805-5523 or send e-mail correspondence to emissions@husqvarnagroup.com.

WHERE TO GET WARRANTY SERVICE

Warranty services or repairs are provided through all Husqvarna Forest & Garden authorized servicing dealers.

MAINTENANCE, REPLACEMENT AND REPAIR OF EMISSION-RELATED PARTS

Any replacement part may be used in the performance of any warranty maintenance or repairs and must be provided without charge to the owner. Such use will not reduce the warranty obligations of the manufacturer.

MAINTENANCE STATEMENT

The owner is responsible for the performance of all required maintenance, as defined in the operator's manual.

*Current and following model year will be updated annually in the warranty statement provided to the consumer. For example, in 2012 model year, 2012-2013 will be specified.

Contenido

Introducción.....	20	Mantenimiento.....	32
Seguridad.....	22	Transporte y almacenamiento.....	35
Montaje.....	27	Datos técnicos.....	36
Funcionamiento.....	29	Garantía.....	37

Introducción

Descripción del producto

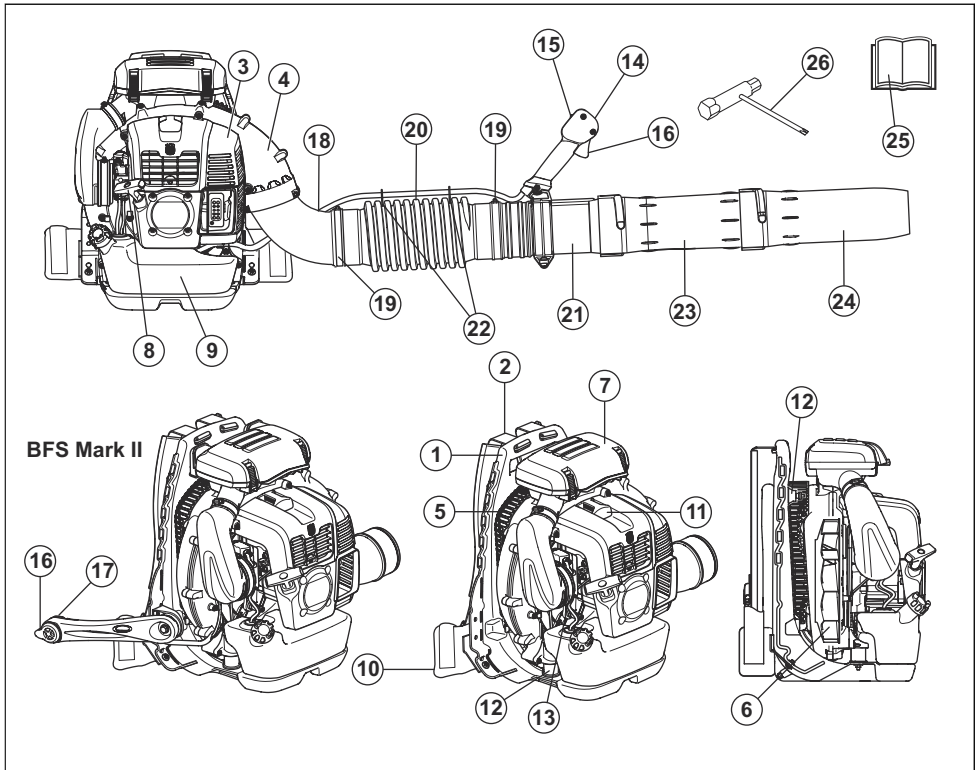
Estos productos son sopladoras de mochila con motor de combustible.

Husqvarna AB tiene una política de desarrollo continuo de productos y, por lo tanto, se reserva el derecho de modificar el diseño y el aspecto de los productos sin previo aviso.

Uso específico

Utilice el producto para soplar hojas y otros materiales no deseados de zonas como césped, senderos y caminos de asfalto.

Descripción general del producto



- | | |
|-------------|--------------------------|
| 1. Bastidor | 3. Cubierta del motor |
| 2. Arnés | 4. Carcasa de ventilador |

5. Rejilla de aspiración de aire
6. Ventilador
7. Filtro de aire
8. Empuñadura de la cuerda de arranque
9. Depósito de combustible
10. Cinturón
11. Bujía
12. Sistema amortiguador de vibraciones
13. Estrangulador
14. Manilla
15. Interruptor de detención con ajuste de posición del acelerador
16. Acelerador/interruptor del acelerador
17. Interruptor de detención
18. Ángulo del tubo
19. Abrazadera
20. Manguera flexible
21. Tubo de control
22. Anclaje del cable
23. Tubo intermedio
24. Boquilla de la sopladora
25. Manual del usuario
26. Llave combinada

Símbolos en el producto



ADVERTENCIA: Este producto es peligroso. El operador o las personas que se encuentran cerca pueden sufrir lesiones o la muerte si el producto no se utiliza con cuidado y correctamente. Para evitar daños graves al operador o a las personas que se encuentran cerca, lea y siga todas las



yyyywwxxxx

Tenga en cuenta: Otros símbolos o etiquetas del producto hacen referencia a requisitos de certificación para otras zonas comerciales.

instrucciones de seguridad del manual de usuario.



Lea atentamente el manual de instrucciones y asegúrese de que entiende las instrucciones antes de usar el producto.



Utilice protectores auriculares y oculares aprobados. Si el ambiente contiene polvo, utilice una máscara respiratoria.



Use guantes protectores homologados.



Recarga de combustible.



Bulbo de la purga de aire.



Mantenga todas las partes del cuerpo lejos de las superficies calientes.



Estrangulador, posición abierta.

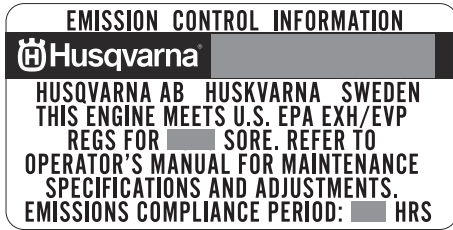


Estrangulador, posición cerrada.

La sopladora puede echar a volar objetos violentamente que pueden rebotar. Lo anterior puede provocar heridas graves en los ojos si no se utiliza el equipo de seguridad recomendado.

El operador de la sopladora debe asegurarse de que no se acerquen transeúntes ni animales a menos de 15 metros. Cada vez que varios operadores trabajen en la misma zona de trabajo, deben mantenerse a una distancia de seguridad de, al menos, 15 metros el uno del otro.

La placa de características muestra el número de serie. **yyyy** es el año de fabricación, **ww** es la semana de producción y **xxxxx** es el número secuencial.



El período de cumplimiento de emisiones al que se hace referencia en la etiqueta de cumplimiento de emisiones indica la cantidad de horas de funcionamiento para la que se ha demostrado que el motor cumple el requisito de emisiones federales. El mantenimiento, reemplazo o reparación de los dispositivos y sistemas de control de emisiones puede realizarlo cualquier establecimiento o persona de que repare motores para uso fuera de carretera.

Propuesta 65 de California



Responsabilidad del fabricante

Como se menciona en las leyes de responsabilidad del fabricante, no nos hacemos responsables de los daños que cause nuestro producto si:

- el producto se repara incorrectamente

- el producto se repara con piezas que no son del fabricante o que este no autoriza
- el producto tiene un accesorio que no es del fabricante o que este no autoriza
- el producto no se repara en un centro de servicio autorizado o por una autoridad aprobada.

Seguridad

Definiciones de seguridad

Las advertencias, precauciones y notas se utilizan para señalar las piezas particularmente importantes del manual.



ADVERTENCIA: Se utilizan para señalar el riesgo de lesiones graves o mortales para el operador o para aquellos que se encuentren cerca si no se siguen las instrucciones del manual.



AVISO: Se utilizan para señalar el riesgo de dañar la máquina, otros materiales o el área adyacente si no se siguen las instrucciones del manual.

Tenga en cuenta: Se utilizan para entregar más información necesaria en situaciones particulares.

Instrucciones generales de seguridad



ADVERTENCIA: Lea atentamente las instrucciones de advertencia siguientes antes de usar el producto.

- Bajo ninguna circunstancia se puede modificar el diseño del producto sin autorización del fabricante. Utilice siempre accesorios originales. Las modificaciones o accesorios no autorizados pueden provocar daños personales o la muerte del operador u otras personas.
- Nunca utilice un producto que se haya modificado de cualquier modo con respecto a la especificación original.
- Nunca utilice un producto que esté defectuoso. Realice las comprobaciones de seguridad, el mantenimiento y las instrucciones de servicio descritas en este manual. Especialistas capacitados y calificados deben llevar acabo algunas medidas de mantenimiento y servicio. Consulte *Programa de*

mantenimiento en la página 32 para obtener instrucciones.

- Todos los trabajos de mantenimiento y reparación del producto requieren una formación especial. Esto aplica especialmente al equipo de seguridad. Nunca utilice un producto con equipo de seguridad defectuoso. Si el producto no pasa alguna de las revisiones indicadas en el manual de usuario, debe comunicarse con el taller de servicio. Se debe realizar mantenimiento al equipo de seguridad como se indica en este manual de usuario. La compra de alguno de nuestros productos le garantiza la disponibilidad de mantenimiento y servicio profesionales. Si el comerciante que vende el producto no es un concesionario de servicio, pídale la dirección del taller de servicio más cercano.

Instrucciones de seguridad para el funcionamiento



ADVERTENCIA: Lea atentamente las instrucciones de advertencia siguientes antes de usar el producto.

- Este producto es una herramienta peligrosa si se utiliza de forma inapropiada o incorrecta y puede provocar daños graves e incluso mortales. Es muy importante que lea y comprenda el contenido de este manual de usuario.
- La exposición prolongada al ruido puede causar la pérdida permanente de la audición. Use siempre protectores auriculares aprobados.
- Realice una inspección general de la máquina antes de utilizarla, consulte *Programa de mantenimiento en la página 32*.
- No utilice nunca la máquina si está cansado, si ha ingerido alcohol o si toma medicamentos que puedan afectar la vista, su capacidad de discernimiento o la coordinación.
- Use equipo de protección personal. Consulte *Equipo de protección personal en la página 24*.
- Todas las cubiertas y protecciones se deben montar antes del uso. Asegúrese de que el sombrerete de bujía y el cable de encendido estén en perfecto estado para evitar el riesgo de descarga eléctrica.
- El operador de la sopladora debe asegurarse de que no se acerquen transeúntes ni animales a menos de 15 m. Cada vez que varios operadores trabajen en la misma zona de trabajo, deben mantenerse a una distancia de seguridad de, al menos, 15 m el uno del otro.
- Nunca permita que los niños operen la máquina. Nunca permita que otra persona utilice la máquina sin asegurarse primero de que haya leído y comprendido el contenido del manual de usuario.
- Compruebe siempre que no haya objetos que puedan bloquear la rejilla de aspiración de aire antes de comenzar a trabajar.
- Nunca quite la rejilla de aspiración de aire.
- En caso de emergencia, abra el cinturón de la cadera y el pecho y deje caer la máquina hacia atrás para liberarse de esta.
- Comuníquese siempre con las autoridades locales y asegúrese de que sigue las directivas aplicables.
- Mantenga todas las partes del cuerpo lejos de las superficies calientes.
- Nunca encienda la máquina en un espacio cerrado. Inhalar los gases de escape puede ser peligroso.
- Observe el entorno y tenga en cuenta lo que sucede en él. Asegúrese de que ninguna persona o animal pueda entrar en contacto con el producto. Si alguien se acerca a la zona de trabajo, ajuste el control del acelerador a la velocidad mínima hasta que la persona se encuentre a una distancia segura. Mantenga el producto alejado de personas, animales, parques infantiles, ventanas abiertas, autos, etc. No debe haber personas sin autorización ni animales en la zona de trabajo, es decir, a menos de 15 metros.
- La sobreexposición a las vibraciones puede producir trastornos vasculares o nerviosos en personas que padecen de trastornos circulatorios. Póngase en contacto con su médico si experimenta síntomas de la sobreexposición a las vibraciones. Estos síntomas son entumecimiento, pérdida de sensibilidad, hormigueo, ardor, dolor, pérdida de fuerza, cambios en el color o el estado de la piel. Normalmente, estos síntomas se presentan en los dedos, manos o muñecas. El riesgo aumenta a bajas temperaturas.
- Los gases de escape del motor contienen monóxido de carbono, lo que puede provocar intoxicación por monóxido de carbono. Por esta razón no debe encender o utilizar el producto en espacios cerrados o en cualquier lugar que posea una ventilación deficiente. Los gases de escape del motor están calientes y pueden contener chispas que podrían iniciar un incendio. Nunca arranque el producto en interiores o cerca de material inflamable.
- Permita que el motor se enfríe antes de reabastecer de combustible.
- Las fuertes corrientes de aire pueden mover objetos a tal velocidad que pueden rebotar y causar lesiones oculares graves.
- No dirija el chorro de aire hacia personas o animales.
- No utilice la máquina en condiciones climáticas desfavorables, como niebla densa, lluvia intensa, vientos fuertes, frío intenso, entre otras. Trabajar con mal tiempo es agotador y puede crear condiciones peligrosas, por ejemplo, superficies resbalosas.
- Minimice el tiempo de funcionamiento humedeciendo ligeramente las zonas polvorientas o utilizando un equipo de pulverización.
- Cércele de que puede caminar y mantenerse de pie con seguridad. Revise el área a su alrededor para detectar posibles obstáculos (raíces, piedras, ramas, zanjas, etc.) en caso de que tenga que

moverse repentinamente. Tenga sumo cuidado al trabajar en terreno inclinado.

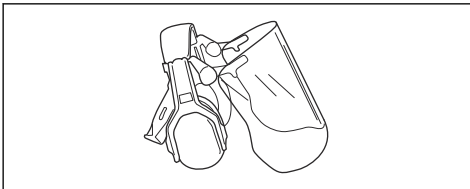
- Nunca suelte el producto con el motor activado a menos que lo tenga a la vista.
- Nunca haga funcionar el producto en escaleras o lugares altos (como techos), esto está prohibido y podría provocar lesiones graves.
- No utilice el producto a menos que sea capaz de pedir ayuda en caso de accidente.
- Esté atento a que no salgan objetos despedidos. Siempre utilice protección ocular. Es posible que las piedras, residuos, etc. salgan despedidos en dirección a los ojos y le causen ceguera o lesiones graves. Mantenga a distancia a personas no autorizadas. Los niños, animales, espectadores y ayudantes deben mantenerse fuera de la zona de seguridad de 15 m. Detenga la máquina de inmediato si alguien se acerca.
- No haga funcionar el producto si el tubo del gas de escape en la cubierta del motor se encuentra tapado por una muralla o algún otro obstáculo. El producto podría dañarse. Asegúrese de que la distancia es de 50 cm o más a partir del obstáculo durante el funcionamiento.
- Siempre detenga el motor antes de realizar la limpieza.
- Siempre mantenga el producto alejado de la fuente y el área de recarga de combustible antes del arranque. Coloque el producto sobre una superficie plana.
- El producto solo se debe arrancar en su versión completa. Si el producto se arranca sin todas las protecciones montadas, existe el riesgo de que provoque daños personales.

Equipo de protección personal



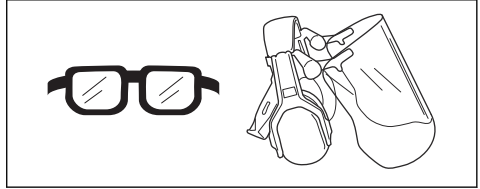
ADVERTENCIA: Lea atentamente las instrucciones de advertencia siguientes antes de usar el producto.

- Utilice siempre el equipo de protección personal adecuado cuando use el producto. El equipo de protección personal no puede impedir el riesgo de lesiones, pero disminuirá el grado de lesión si ocurre un accidente. Permita que su distribuidor le ayude seleccionar el equipo adecuado.
- Use protección auricular aprobada.

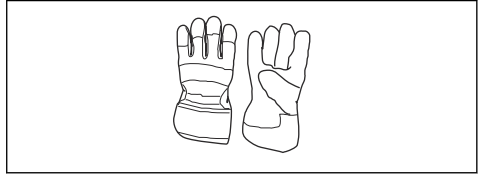


- Use protección ocular homologada. Si utiliza un visor, también debe usar gafas protectoras homologadas. Las gafas protectoras homologadas

deben cumplir con la norma ANSI Z87.1 de EE. UU. o con EN 166 en los países de la UE.



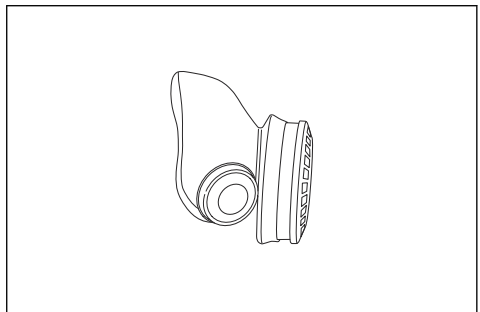
- Utilice guantes cuando sea necesario, por ejemplo, cuando examine o limpie el producto.



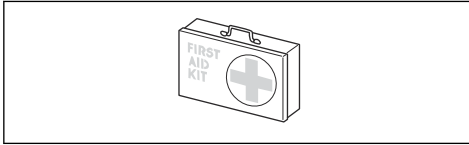
- Utilice botas o zapatos de protección con suelas antideslizantes.



- Utilice ropa de material resistente. Use siempre pantalones largos y gruesos, y mangas largas. Evite usar ropas holgadas que se puedan enganchar con ramas. No trabaje con joyas, pantalones cortos, calzado con aberturas ni con los pies descalzos. Ate su cabello por encima de sus hombros.
- Utilice una protección respiratoria cuando haya riesgo de polvo.



- Mantenga un equipo de primeros auxilios a mano.



Dispositivos de seguridad en el producto



ADVERTENCIA: Lea atentamente las instrucciones de advertencia siguientes antes de usar el producto.

En esta sección se describen las características de seguridad del producto y su propósito, y cómo deben llevarse a cabo las comprobaciones y el mantenimiento para asegurarse de que funciona correctamente. Consulte las instrucciones bajo el título *Descripción general del producto en la página 20* para ver dónde están situados estos componentes en el producto.

La vida útil del producto se puede reducir y el riesgo de accidentes puede aumentar si el mantenimiento del producto no se realiza correctamente y si el servicio o las reparaciones no se llevan a cabo de forma profesional. Si necesita más información, comuníquese con su taller de servicio más cercano.



ADVERTENCIA: No utilice nunca un producto con componentes de seguridad defectuosos. El equipo de seguridad del producto se debe inspeccionar y mantener tal como se describe en esta sección. Si el producto no pasa exitosamente alguna de estas comprobaciones, póngase en contacto con el taller de servicio para que lo reparen.



AVISO: Todos los trabajos de servicio y reparación de la máquina requieren una formación especial. Esto aplica especialmente al equipo de seguridad. Si la máquina no pasa exitosamente alguna de las comprobaciones indicadas a continuación, póngase en contacto con el taller de servicio. La compra de alguno de nuestros productos le garantiza la disponibilidad de mantenimiento y servicio profesionales. Si el comerciante que vende la máquina no es un concesionario de servicio, pídala la dirección del taller de servicio más cercano.

Para comprobar el silenciador



ADVERTENCIA: No utilice un producto con un silenciador defectuoso.



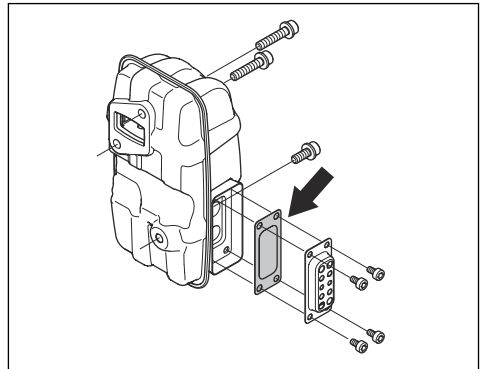
ADVERTENCIA: El silenciador se calienta mucho durante el funcionamiento o después de este, así como en el régimen de ralentí. Utilice guantes protectores para evitar quemaduras.

El silenciador mantiene los niveles de ruido al mínimo y envía los gases de escape lejos del operador.

1. Detenga el motor.
2. Realice una comprobación visual para determinar si hay daños y deformaciones.

Tenga en cuenta: Las superficies internas del silenciador contienen químicos que pueden causar cáncer. Tenga cuidado de no tocar estos elementos si el silenciador presenta daños.

3. Asegúrese de que el silenciador esté correctamente unido al producto. Apriete los tornillos a 8-12 Nm.

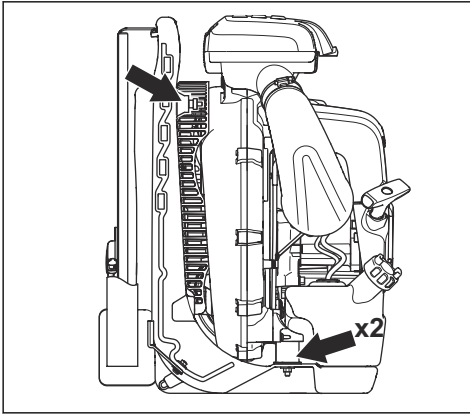


4. Examine la rejilla apagachispas, realice una revisión visual.
 - a) Cambie la rejilla apagachispas si está dañada.
 - b) Limpie la rejilla apagachispas si está bloqueada. Consulte *Para realizar tareas de mantenimiento del silenciador en la página 33* para obtener más información.

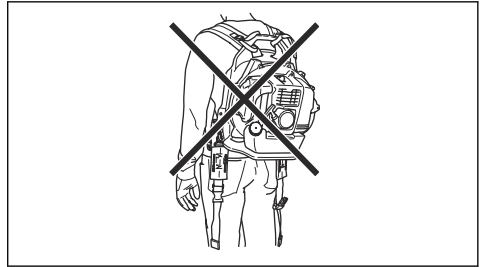
Sistema amortiguador de vibraciones

El producto tiene un sistema amortiguador de vibraciones que reduce las vibraciones y facilita su uso. Examine el sistema amortiguador de vibraciones y asegúrese de que no esté dañado. Asegúrese de que el

sistema amortiguador de vibraciones esté correctamente fijado.



el riesgo de que una correa abierta entre en el ventilador del producto.



Seguridad de combustible



ADVERTENCIA: Lea atentamente las instrucciones de advertencia siguientes antes de usar el producto.

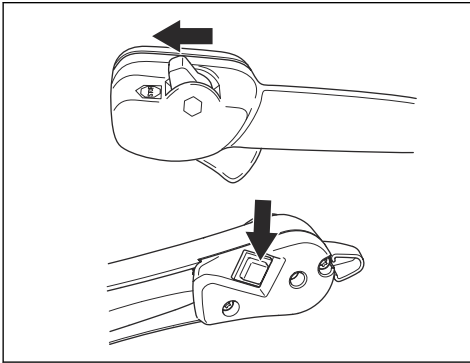
- No mezcle el combustible en interiores o cerca de una fuente de calor.
- No arranque el producto si hay combustible o aceite de motor en el producto. Quite el combustible o aceite no deseado y deje secar el producto. Quite el combustible no deseado del producto.
- Si derrama combustible en su ropa, cámbiese la ropa inmediatamente.
- No permita que le caiga combustible en el cuerpo, ya que puede causar lesiones. Si le cae combustible en el cuerpo, utilice jabón y agua para quitarlo.
- No arranque el motor si derrama aceite o combustible en el producto o en su cuerpo.
- No arranque el producto si el motor tiene una fuga. Examine frecuentemente el motor en busca de fugas.
- Tenga cuidado con el combustible. El combustible es inflamable y los gases son explosivos y pueden causar lesiones graves o fatales.
- No respire los gases del combustible, ya que pueden causar lesiones. Asegúrese de que haya suficiente flujo de aire.
- No fume cerca del combustible o del motor.
- No coloque objetos calientes cerca del combustible o del motor.
- No agregue combustible cuando el motor esté en marcha.
- Asegúrese de que el motor se enfríe antes de llenar el depósito de combustible.
- Antes de llenar el depósito de combustible, abra lentamente la tapa del depósito de combustible y libere la presión con cuidado.
- No agregue combustible al motor en un área interior. Un flujo de aire insuficiente puede causar lesiones graves o fatales por asfixia o debido al monóxido de carbono.
- Apriete la tapa del depósito de combustible con cuidado para evitar incendios.

Filtro de aire

No utilice el producto sin filtro de aire o si el filtro de aire está dañado o presenta deformaciones.

Interruptor de detención

Utilice el interruptor de detención para detener el motor. Asegúrese de que el motor se detenga por completo.



Seguridad del arnés

Use siempre el arnés cuando utilice el producto. Si no utiliza el arnés, no puede utilizar el producto de forma segura. Esto puede provocar lesiones a usted o a otras personas. Asegúrese de que el cinturón y la correa para el pecho estén fijados y ajustados correctamente. Existe

- Mueva el producto a un mínimo de 3 m (10 pies) de la posición en la que se llenó el depósito antes de empezar.
- No ponga demasiado combustible en el depósito de combustible.
- Asegúrese de que no se puedan provocar fugas cuando mueva el producto o el recipiente de combustible.
- No coloque el producto ni un recipiente de combustible donde haya una llama expuesta, una chispa o una fuente de calor. Asegúrese de que no haya una llama expuesta en el área de almacenamiento.
- Utilice solamente contenedores aprobados cuando mueva el combustible o coloque el combustible en el almacenamiento.
- Vacíe el depósito de combustible antes de un almacenamiento a largo plazo. Cumpla con las leyes locales en cuanto al lugar en dónde se puede deshacer del combustible.
- Limpie el producto antes de un almacenamiento a largo plazo.
- Retire el sombrerete de bujía antes de almacenar el producto para asegurarse de que el motor no arranque accidentalmente.

Instrucciones de seguridad para el mantenimiento



ADVERTENCIA: Lea atentamente las instrucciones de advertencia siguientes antes de usar el producto.

- Es posible que su garantía no cubra daños o responsabilidades causadas por el uso de accesorios o piezas de repuesto no autorizados.
- El interior del silenciador contiene productos químicos que pueden ser cancerígenos. Evite el contacto con estos elementos en caso de que se dañe el silenciador.
- Detenga el motor antes de montar o desmontar los accesorios u otras piezas.
- Compruebe que el pasador redondeado y grueso de la abrazadera quede encajado en la correa. Si no queda encajado correctamente, podría provocar daños personales.

Montaje

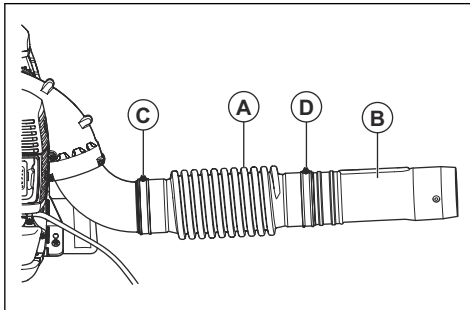
Introducción



ADVERTENCIA: Asegúrese de leer y comprender el capítulo de seguridad antes de montar el producto.

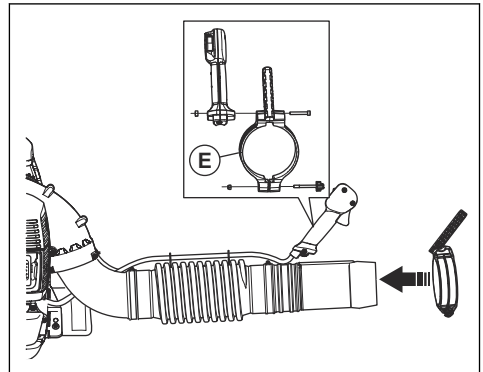
Para montar el tubo y el mango en el producto :580BTS Mark II

1. Fije la manguera flexible (A) en el ángulo del tubo y el tubo de control (B) con las abrazaderas (C), (D).



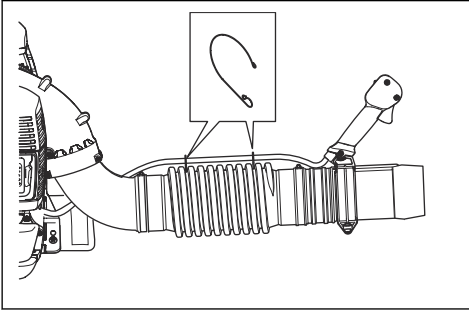
Tenga en cuenta: Lubrique el tubo de control y la manguera flexible para facilitar su montaje.

2. Fije el mango (E) en el tubo de control y pase la perilla a través del mango.

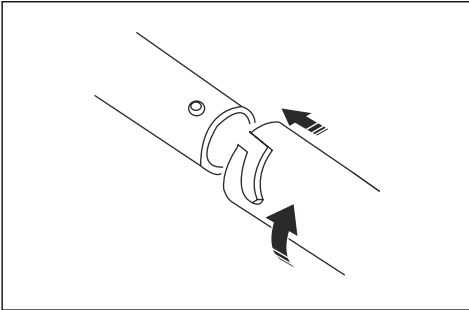


3. Apriete la perilla.

- Fije el cable en la manguera flexible con el anclaje del cable.



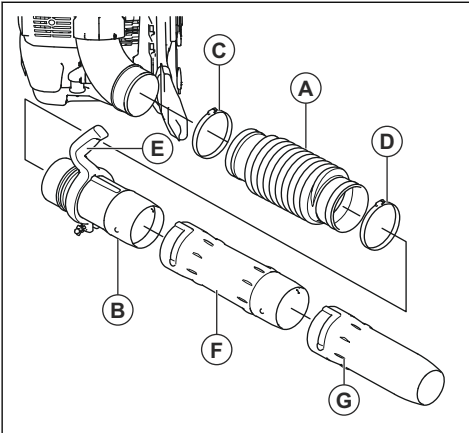
- Fije el tubo intermedio en el tubo de control.



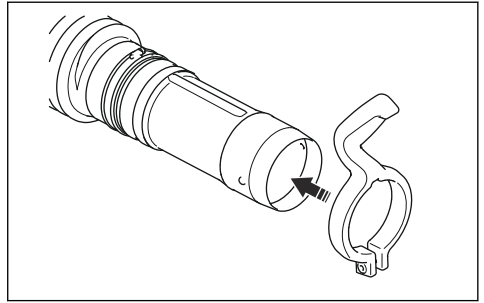
- Fije la boquilla de la sopladora en el tubo intermedio.

Para montar el tubo y el mango en el producto :580BFS Mark II

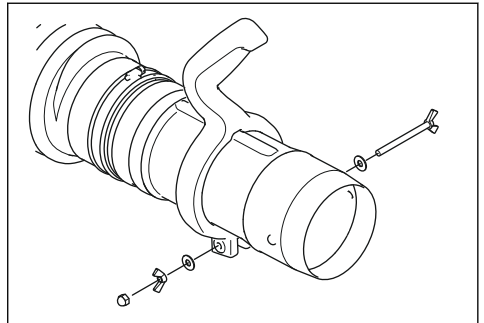
- Fije el tubo flexible (A) en el ángulo del tubo con la abrazadera (C).



- Introduzca el mango (E) en el tubo de control (B)

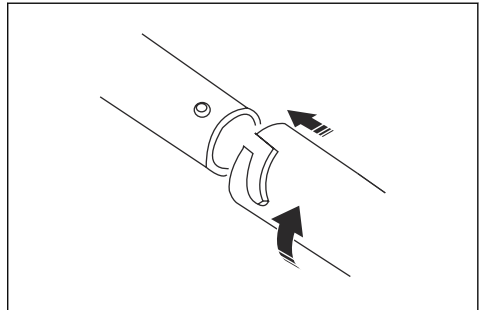


- Fije y apriete el perno, la arandela y las tuercas, como se muestra en la imagen.



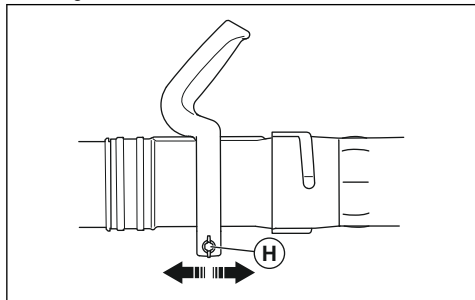
- Fije el tubo de control (B) en el tubo flexible (A) con la abrazadera (D). Asegúrese de que la marca en el tubo de control se encuentre arriba.

- Fije el tubo intermedio (F) en el tubo de control.



- Fije la boquilla de la sopladora (G) en el tubo intermedio.

- Afloje la perilla (H) para ajustar la posición del mango.

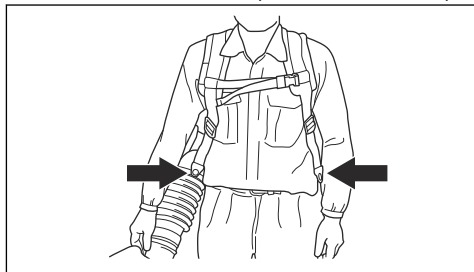


- Apriete nuevamente la perilla.

Para ajustar el arnés

Un producto y un arnés bien ajustados facilitan el funcionamiento.

- Coloque el arnés del producto.
- Apriete las correas laterales hasta que el producto se encuentre firmemente apretado contra su cuerpo.



- Conecte la correa para el pecho al sujetador.
- Apriete la correa.

Funcionamiento

Introducción



ADVERTENCIA: Asegúrese de leer y comprender el capítulo de seguridad antes de utilizar el producto.

Combustible

Para utilizar combustible



AVISO: Este producto tiene un motor de dos tiempos. Utilice una mezcla de gasolina y de aceite del motor de dos tiempos. Asegúrese de utilizar la cantidad correcta de aceite en la mezcla. Una relación incorrecta de gasolina y aceite puede provocar daños al motor.

Combustible de alquilato Husqvarna



AVISO: No utilice gasolina con un octanaje inferior a 90 RON (87 AKI). Esto puede provocar daños al producto.



AVISO: No utilice gasolina con más de un 10 % de etanol concentrado (E10). Esto puede provocar daños al producto.



AVISO: No utilice gasolina con plomo. Esto puede provocar daños al producto.

Recomendamos combustible de alquilato Husqvarna para un mejor rendimiento. Este combustible produce

gases de escape menos peligrosos, en comparación con el combustible común. Mantiene el motor limpio y aumenta la vida útil del motor. El combustible de alquilato Husqvarna no está disponible en todas las zonas comerciales.

- Siempre utilice gasolina sin plomo nueva con un octanaje mínimo de 90 RON (87 AKI) y con menos de un 10 % de etanol concentrado (E10).
- Use gasolina con un octanaje superior si con frecuencia utiliza el producto a velocidades de motor continuamente altas.
- Utilice siempre una mezcla de aceite/gasolina sin plomo de buena calidad.

Aceite para motores de dos tiempos

- Para obtener los mejores resultados y un mejor rendimiento, utilice aceite para motores de dos tiempos Husqvarna, que ha sido formulado especialmente para nuestros motores de dos tiempos.
- Si el aceite para motores de dos tiempos Husqvarna no está disponible, utilice otro aceite para motores de dos tiempos de buena calidad que esté formulado para motores refrigerados por aire. Consulte a su concesionario de servicio cuando seleccione un aceite.
- No utilice aceite para motores de dos tiempos para motores fueraborda refrigerados por agua, también conocido como aceite para fueraborda.
- No utilice aceite para motores de cuatro tiempos.

Gasolina, I

Aceite para motores de dos tiempos, I

	2 % (50:1)
5	0,10
10	0,20
15	0,30
20	0,40
Galón estadounidense	Onza líquida EE. UU.
1	2 ½
2 ½	6 ½
5	12 ¾

Para hacer la mezcla de combustible

Tenga en cuenta: Use siempre un recipiente de combustible limpio cuando mezcle el combustible.

Tenga en cuenta: No realice una cantidad de mezcla de combustible para más de 30 días.

1. Agregue la mitad de la cantidad de gasolina.
2. Agregue la cantidad total de aceite.
3. Agite la mezcla de combustible para mezclar el contenido.
4. Agregue la cantidad restante de gasolina.
5. Agite la mezcla de combustible para mezclar el contenido.
6. Llene el depósito de combustible.

Para agregar combustible

- Utilice siempre un recipiente de combustible con una válvula antiderrames.
- Si hay combustible en el recipiente, retire el combustible no deseado y deje que el contenedor se seque.
- Asegúrese de que el área cerca de la tapa del depósito de combustible está limpia.
- Agite el recipiente de combustible antes de agregar la mezcla de combustible al tanque de combustible.

Para agregar combustible al depósito de combustible

1. Detenga la máquina.
2. Coloque el producto sobre una superficie plana.
3. Afloje la tapa del depósito para liberar la presión en el depósito de combustible.
4. Quite la tapa del depósito de combustible.
5. Llene el depósito de combustible al 80 %.
6. Apriete bien la tapa del depósito de combustible.

7. Asegúrese de que no haya fugas en el depósito de combustible.

Antes de usar el producto



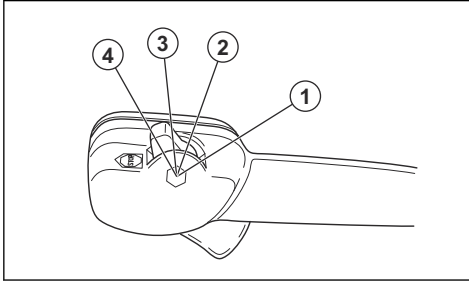
ADVERTENCIA: Lea las instrucciones de seguridad antes de utilizar el producto.

- Utilice la sopladora con el acelerador en una velocidad lenta. Una velocidad lenta significa menos ruido y menos polvo, y también permite un mayor control de los residuos recolectados o trasladados. Utilice un rastrillo o un cepillo para despegar los residuos adheridos al suelo.
- Mantenga la apertura de la sopladora lo más cerca posible del suelo. Utilice la extensión completa del tubo de soplado para mantener la corriente de aire cerca del suelo. Limpie después de utilizar. Asegúrese de que no soplar residuos hacia la propiedad de terceras personas. Utilice los equipos eléctricos únicamente a horas razonables, no muy temprano en la mañana ni muy tarde en la noche, cuando podría molestar a otras personas. Cumpla con los horarios indicados en las ordenanzas locales.
- Esta sopladora tipo mochila se transporta con un arnés de hombro durante su funcionamiento. Se maneja y controla mediante la palanca en el tubo con la mano derecha.
- La velocidad del chorro de aire se regula mediante el acelerador. Seleccione la velocidad más adecuada para las tareas que realizará.
- Verifique que la entrada de aire no se encuentre bloqueada, por ejemplo, por hojas o residuos. Una entrada de aire obstruida reduce la capacidad sopladora y aumenta la temperatura de funcionamiento de la máquina, lo que puede provocar una falla en el motor. Detenga el motor y retire el objeto.
- Tenga en cuenta la dirección del viento. Trabaje utilizando el viento a su favor para facilitar el trabajo.
- El uso de la sopladora para mover grandes pilas requiere mucho tiempo y genera ruido innecesario.
- Mantenga un buen equilibrio y un punto de apoyo firme.
- La máquina debe guardarse de manera vertical después de terminar el trabajo.

Para utilizar el interruptor del acelerador :580BTS Mark II

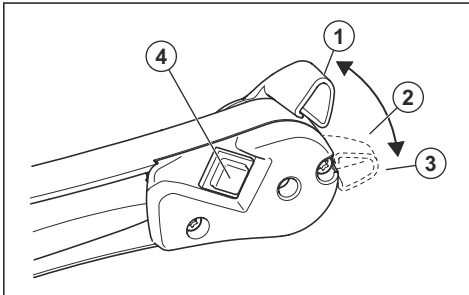
- Acelere al máximo (1).
- Aplique 1/3 de la velocidad (2).
- Aplique el régimen de ralentí (3).

- Detenga el producto con el interruptor de detención (4).



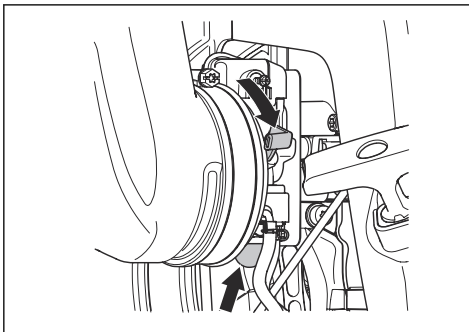
Para utilizar el interruptor del acelerador :580BFS Mark II

- Acelere al máximo (1).
- Aplique 1/3 de la velocidad (2).
- Aplique el régimen de ralenti (3).
- Detenga el producto con el interruptor de detención (4).



Para poner en marcha la máquina

1. Si el motor está frío, presione la palanca del estrangulador hacia la posición de estrangulamiento cerrada.

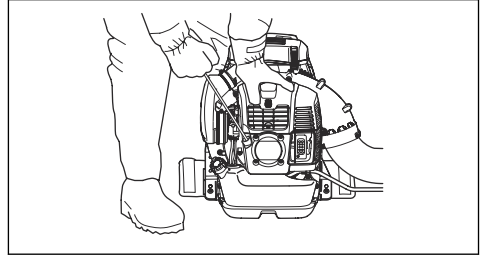


2. Presione el bulbo de purga de aire una y otra vez hasta que el combustible comience a llenar el bulbo de purga de aire. No es necesario llenar completamente el bulbo de la purga de aire.

3. Presione la palanca del acelerador hacia la posición de 1/3 de velocidad. Consulte *Para utilizar el interruptor del acelerador :580BFS Mark II en la página 30.*

4. Coloque el producto sobre una superficie plana en el suelo.

5. Sujete el producto con la mano izquierda.



6. Coloque el pie derecho en el bastidor.

7. Tire lentamente de la empuñadura de la cuerda de arranque hasta que se produzca resistencia.

8. Tire rápidamente de la empuñadura de la cuerda de arranque con la mano derecha hasta que el motor arranque o intente arrancar, hasta un máximo de 10 veces. Si el motor arranca, mueva la palanca del estrangulador gradualmente hasta la posición abierta.

Tenga en cuenta: No tire de la empuñadura de la cuerda de arranque en toda su extensión y no suelte la empuñadura de la cuerda de arranque.

9. Mueva la palanca del estrangulador hasta la posición de estrangulamiento abierta hasta que la palanca del estrangulador se detenga.

10. Tire de la empuñadura de la cuerda de arranque repetidamente hasta que el motor arranque y continúe funcionando.

11. Si el motor no arranca, repita los pasos del 1 al 10.

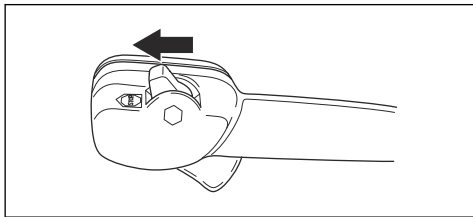
12. Deje funcionar el motor durante 2 a 3 minutos para que se caliente antes de su uso.

Para detener el producto :580BFS Mark II

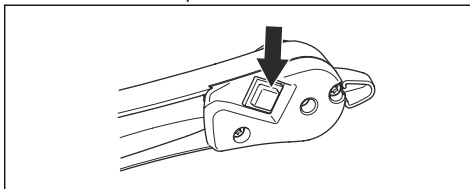


AVISO: No detenga el producto cuando funcione a máxima velocidad.

1. Mueva la palanca de acelerador a la posición de detención.



1. Presione el interruptor de detención.



Para detener el producto :580BFS Mark II



AVISO: No detenga el producto cuando funcione a máxima velocidad.

Mantenimiento

Introducción



ADVERTENCIA: Lea detenidamente el capítulo de seguridad antes de realizar mantenimiento en el producto.

Programa de mantenimiento

Mantenimiento	Diario	Una vez por semana	Una vez por mes
Limpie la superficie externa.	X		
Asegúrese de que el acelerador funcione correctamente.	X		
Asegúrese de que el interruptor de detención funcione correctamente.	X		
Compruebe el interruptor de detención, consulte <i>Para detener el producto :580BFS Mark II en la página 31.</i>	X		
Examine el motor, el depósito de combustible y los conductos de combustible para determinar si hay fugas.	X		
Limpie el filtro de aire. Reemplácelos si es necesario.	X		
Apriete tuercas y tornillos.	X		
Inspeccione el filtro de combustible para determinar si presenta contaminación y la manguera de combustible para determinar si presenta grietas u otros defectos. Reemplácelos si es necesario.	X		
Examine la toma de aire y asegúrese de que no esté obstruida.	X		
Examine el arranque y la cuerda de arranque en busca de daños.		X	
Inspeccione los amortiguadores de vibraciones para determinar si presentan daños y grietas.		X	
Inspeccione la bujía, consulte <i>Para comprobar la bujía en la página 33.</i>		X	

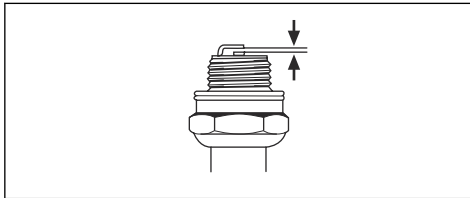
Mantenimiento	Diario	Una vez por semana	Una vez por mes
Limpie el sistema de refrigeración.		X	
Limpie la superficie exterior del carburador y el espacio que lo rodea.		X	
Limpie el depósito de combustible.			X
Examine todos los cables y conexiones.			X
Examine y limpie la rejilla apagachispas en el silenciador.			X
Reemplace la bujía. Asegúrese de que está fijada con un supresor.			X

Para comprobar la bujía



AVISO: Utilice la bujía recomendada. Consulte *Datos técnicos en la página 36*. Una bujía incorrecta puede causar daños al producto.

- Si el producto presenta dificultades para arrancar o funcionar, o si no funciona correctamente a régimen de ralentí, examine la bujía en busca de materiales no deseados. Para disminuir el riesgo de material no deseado en los electrodos de la bujía, realice estos pasos:
 - asegúrese de que el régimen de ralentí esté ajustado correctamente.
 - asegúrese de que la mezcla de combustible es la correcta.
 - asegúrese de que el filtro de aire esté limpio.
- Limpie la bujía si está sucia.
- Asegúrese de que la distancia entre los electrodos sea la correcta. Consulte *Datos técnicos en la página 36*.



- Reemplace la bujía cada mes o más a menudo si es necesario.

Para limpiar el sistema de refrigeración



AVISO: Un sistema refrigerante sucio o bloqueado puede producir el sobrecalentamiento del producto, y dañarlo.

El sistema refrigerante incluye las aletas de refrigeración en el cilindro y la rejilla de aspiración de aire.

- Asegúrese de que el sistema refrigerante no esté sucio ni obstruido.
- Limpie el sistema de refrigeración con un cepillo semanalmente o con mayor frecuencia si es necesario.

Para realizar tareas de mantenimiento del silenciador

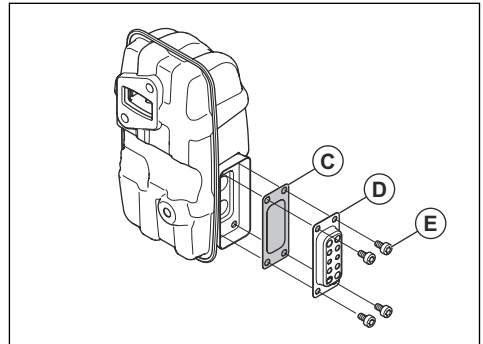


ADVERTENCIA: No utilice un producto con un silenciador defectuoso.



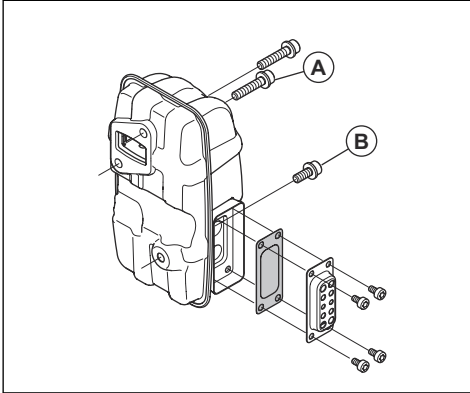
ADVERTENCIA: El silenciador se calienta mucho durante o después del funcionamiento, así como en el régimen de ralentí. Utilice guantes protectores para evitar quemaduras.

- Detenga el motor y deje que el silenciador se enfríe.
- Cambie la rejilla apagachispas si está dañada.
- Quite los tornillos (E) y el conducto de escape (D).



Tenga en cuenta: Las superficies internas del silenciador contienen químicos que pueden causar cáncer. Tenga cuidado de no tocar estos elementos si el silenciador presenta daños.

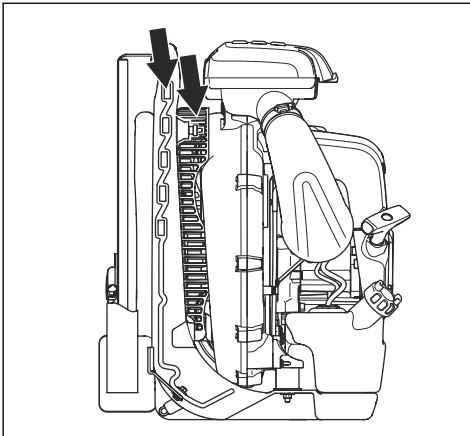
4. Quite la rejilla apagachispas (C) y límpiela con un cepillo de alambre. Quite la suciedad de la entrada y salida del silenciador con el cepillo de alambre. Además, quite la suciedad de la lumbrera de escape del cilindro con el cepillo de alambre.
5. Fije la rejilla apagachispas (C) y el conducto de escape (D) con los tornillos (E). Apriete los tornillos a 2-3 Nm.
6. Asegúrese de que el silenciador esté correctamente unido al producto. Apriete los tornillos (A) y (B) de 8 a 12 Nm.



Para examinar la rejilla de aspiración de aire

Una rejilla de aspiración de aire obstruida reduce la fuerza de soplado y aumenta la temperatura del motor. Un aumento de la temperatura puede provocar la falla del motor.

1. Detenga el motor.
2. Examine la rejilla de aspiración de aire para detectar daños y asegúrese de que se encuentre correctamente fijada.

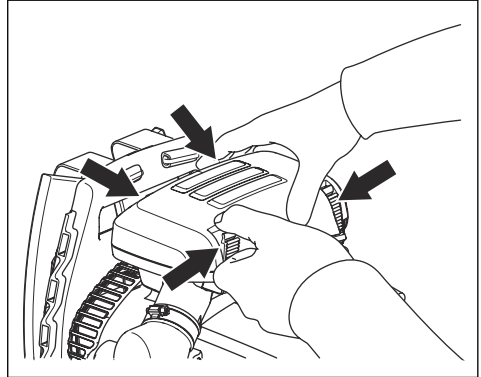


3. Quite la suciedad, las hojas y los materiales no deseados de la rejilla aspiración de aire.

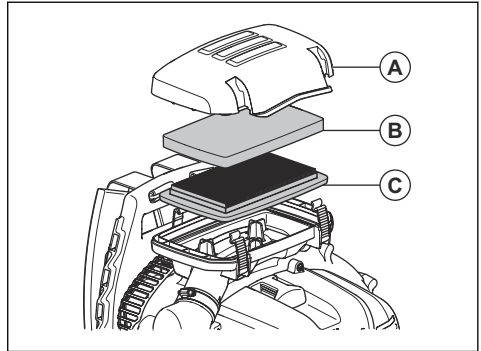
Para limpiar el filtro de aire

Limpie el filtro de aire de la suciedad y el polvo con regularidad. Esto evita fallas del carburador, problemas de arranque, pérdida de potencia del motor, el desgaste de las piezas del motor y un mayor consumo de combustible de lo habitual. Limpie el filtro de aire en intervalos de 40 horas de funcionamiento o menos si se encuentra en condiciones pesadas de funcionamiento.

1. Afloje los sujetadores que sostienen la cubierta del filtro de aire en su posición.



2. Quite la cubierta del filtro de aire (A).



3. Quite el filtro de espuma (B) y el filtro de papel (C) del bastidor del filtro.
4. Reemplace el filtro de papel (C).
5. Limpie el filtro de espuma (B) con agua jabonosa tibia.

Tenga en cuenta: Un filtro de aire que se utiliza durante mucho tiempo no se puede limpiar completamente. Sustituya el filtro de aire periódicamente, al igual que cuando presente defectos.

6. Asegúrese de que el filtro de espuma (B) esté seco.

7. Limpie la superficie interior de la cubierta del filtro de aire con un cepillo (A).

Para reemplazar el arnés



ADVERTENCIA: Un arnés dañado puede hacer que el producto se caiga y provocar daños personales.

1. Detenga el motor.
 2. Quite la abrazadera de la correa.
 3. Introduzca el extremo de la correa a través del soporte colgante.
 4. Tire de la correa nueva a través del soporte colgante.
 5. Fije la abrazadera a la nueva correa.
-

Transporte y almacenamiento

Transporte y almacenamiento

- Para el almacenamiento y el transporte del producto y del combustible, asegúrese de que no haya fugas o vapores. Las chispas o llamas, por ejemplo, de dispositivos eléctricos o calderas, pueden iniciar un incendio.
- Siempre use contenedores aprobados para el almacenamiento y el transporte del combustible.
- Vacíe el depósito de combustible antes del transporte o de un almacenamiento prolongado. Empuje el bulbo de purga de aire para asegurarse de que se haya quitado todo el combustible. Deseche el combustible en un lugar adecuado para tal propósito.
- Asegúrese de que la máquina esté limpia y de que se realice un mantenimiento completo antes de un almacenamiento prolongado.
- Extraiga la bujía y ponga aproximadamente 15 ml de aceite para motores de dos tiempos en el cilindro. Gire el producto 3 veces y fije nuevamente la bujía.
- Fije el producto de manera segura durante el transporte.

Datos técnicos

Datos técnicos

	580BTS Mark II	580BFS Mark II
Motor		
Cilindrada, cm ³	75,6	75,6
Régimen de ralentí, rpm	2000	2000
Silenciador con catalizador	No	No
Sistema de encendido con velocidad regulada	Sí	Sí
Sistema de encendido⁴		
Bujía	NGK CMR7H	NGK CMR7H
Distancia entre los electrodos, mm/pulg	0,6-0,7/0,024-0,028	0,6-0,7/0,024-0,028
Combustible y sistema de lubricación		
Capacidad del depósito de combustible, l/pinta EE. UU.	2,6/5,5	2,6/5,5
Peso		
Peso, kg/lb	11,9/26,2	12,1/26,7
Niveles acústicos⁵		
Nivel de presión acústica equivalente en el oído del operador, medido según las normas ISO 22868:2011, dB (A)	104	104
Niveles de vibración⁶		
Niveles de vibración equivalentes (a_{hveq}) en mangos, medidos según las normas ISO 22867:2011, m/s ²	2,2	3,1
Rendimiento del ventilador		
Velocidad máxima del aire con boquilla estándar, m/s/mpg	92/206	92/206
Flujo de aire con boquilla estándar, m ³ /min/cfm	27/941	27/941

⁴ El sistema de encendido por chispa cumple con la norma canadiense ICES-002.

⁵ El nivel de presión acústica equivalente se calcula considerando un ciclo de trabajo de una duración de 1/7 en ralentí y de 6/7 a régimen de embalamiento. Los datos informados para el nivel de presión sonora equivalente tienen una dispersión estadística típica (desviación estándar) de 1 dB (A).

⁶ El valor del nivel de vibración equivalente se calcula considerando un ciclo de trabajo de una duración de 1/7 en ralentí y de 6/7 a régimen de embalamiento. Los datos informados para nivel de vibración equivalente tienen una dispersión estadística típica (desviación estándar) de 1 m/s².

Garantía

DECLARACIÓN DE GARANTÍA DEL CONTROL DE EMISIONES DE VAPORES Y DE ESCAPE CONFORME A LA NORMATIVA FEDERAL DE LOS ESTADOS UNIDOS, LA NORMATIVA DE CALIFORNIA Y LA NORMATIVA DE CANADÁ

Tenga en cuenta: Este anexo está destinado principalmente al consumidor o a usuarios ocasionales.

IMPORTANTE: este producto cumple con la normativa Fase 3 de la EPA (Environmental Protection Agency, Agencia de Protección Medioambiental) de EE. UU. referente a emisiones de escape y evaporación. Para asegurar la conformidad con la EPA Fase 3, se recomienda utilizar solo repuestos originales de la marca Husqvarna. El uso de piezas de repuesto que no cumplan con esta norma es una violación de la ley federal.

DERECHOS Y OBLIGACIONES DE LA GARANTÍA

La EPA de los EE. UU. (Environmental Protection Agency, Agencia de Protección Ambiental), la junta CARB (California Air Resources Board, Junta de Recursos del Aire de California), Medioambiente Canadá (Environment Canada) y Husqvarna Forest & Garden se complacen en profundizar sobre los distintos aspectos de la garantía del sistema de control de emisiones de vapores y de escape del motor de pequeña cilindrada para todo terreno 2019-2020*. En el estado de California, los nuevos equipos que utilizan motores pequeños para todo terreno se deben diseñar, construir y equipar conforme a las estrictas normas de control de emisiones contaminantes del Estado. Husqvarna Forest & Garden debe proporcionar una garantía para el sistema de control de emisiones del motor pequeño para todo terreno por los períodos que se indican a continuación, siempre que no haya ningún abuso, negligencia ni mantenimiento incorrecto del motor pequeño para todo terreno o del equipo que pueda provocar la falla del sistema de control de emisiones. El sistema de control de emisiones puede incluir piezas como un carburador o sistema de inyección de combustible, un sistema de encendido, catalizador, tanques de combustible, tuberías de combustible (para combustible líquido y vapores de combustible), tapones de combustible, válvulas, depósitos, filtros, abrazaderas y otros componentes asociados. Además, puede incluir mangueras, correas, conectores y otros montajes relacionados con las emisiones. Cuando exista una condición cubierta por la garantía, Husqvarna Forest & Garden reparará el motor

de pequeña cilindrada para todo terreno sin costo, incluido el diagnóstico, las piezas y la mano de obra.

COBERTURA DE LA GARANTÍA DEL FABRICANTE

El sistema de control de emisiones de vapores y de escape del motor pequeño para todo terreno tiene una garantía de dos años. Si alguna de las piezas del motor de pequeña cilindrada para todo terreno relacionada con las emisiones tiene una falla, Husqvarna Forest & Garden reparará o reemplazará la pieza.

RESPONSABILIDADES DE GARANTÍA DEL PROPIETARIO

- Como propietario del motor de pequeña cilindrada para todo terreno, es responsable de realizar el mantenimiento necesario que figura en el manual de usuario. Husqvarna Forest & Garden recomienda que conserve todos los recibos que cubran el mantenimiento del motor pequeño para uso fuera de carretera; sin embargo, Husqvarna Forest & Garden no puede negar la garantía solo por la falta de recibos o porque no pueda garantizar la realización de todo el programa de mantenimiento.
- No obstante, como propietario del motor de pequeña cilindrada para todo terreno debe saber que Husqvarna Forest & Garden puede negar la cobertura de la garantía si dicho motor o una de sus piezas falló como resultado del abuso, negligencia o mantenimiento incorrecto, o modificaciones no aprobadas.
- Usted es responsable de llevar el motor de pequeña cilindrada para todo terreno a un centro de servicios o de distribución de Husqvarna Forest & Garden lo antes posible en cuanto surja el problema. Las reparaciones bajo garantía se deben realizar dentro de un tiempo razonable que no supere los 30 días. Si tiene preguntas acerca de los derechos y las responsabilidades que implica esta garantía, debe comunicarse con Husqvarna Forest & Garden en EE. UU. al 1-800-487-5951, en CANADÁ al 1-800-805-5523 o enviar un correo electrónico a emissions@husqvarnagroup.com.

FECHA DE INICIO DE LA GARANTÍA

El período de garantía comienza en el momento en que se entrega el motor o equipo al comprador final.

EXTENSIÓN DE LA COBERTURA

Husqvarna Forest & Garden le garantiza al comprador final y a cualquier comprador posterior que el motor, así como el equipo, se diseñaron, construyeron y equiparon para que cumplan con las normativas pertinentes adoptadas por la EPA y la CARB, y que está libre de defectos en cuanto a materiales y mano de obra que causen la falla de una pieza cubierta por la garantía durante un período de dos años.

ELEMENTOS CON COBERTURA

REPARACIÓN O SUSTITUCIÓN DE PIEZAS: La reparación o el reemplazo de cualquier pieza bajo garantía se debe realizar sin costo alguno para el propietario en un centro cubierto por la garantía. Las reparaciones o los servicios bajo garantía se brindarán en todos los centros de distribución de Husqvarna Forest & Garden bajo franquicia para realizar mantenimientos a los motores en cuestión. Durante el período de garantía de emisiones de dos años, Husqvarna Forest & Garden debe mantener un suministro de piezas bajo garantía suficiente para cumplir con la demanda prevista de dichas piezas.

PERÍODO DE GARANTÍA: Cualquier pieza garantizada que esté programada para ser reemplazada según el mantenimiento requerido, está garantizada durante todo el período de garantía anterior a la primera fecha de sustitución programada para dicha pieza. Si la pieza presenta fallas antes del primer reemplazo programado, esta la reparará o reemplazará Husqvarna Forest & Garden sin costo. Cualquier pieza reparada o sustituida bajo la garantía está garantizada durante el lapso restante del período anterior al primer punto de sustitución programado para la pieza. Cualquier pieza garantizada que está programada para ser reemplazada según lo requerido en el programa de mantenimiento, tiene una garantía de dos años. Si alguna pieza presenta fallas durante la cobertura del período de garantía, Husqvarna Forest & Garden reparará o reemplazará la pieza sin costo. Cualquier pieza reparada o sustituida bajo la garantía está garantizada durante el lapso restante del período. Cualquier pieza garantizada que está programada únicamente para inspección regular dentro del programa de mantenimiento recibirá cobertura de la garantía por un período de dos años. La declaración en tales instrucciones escritas similar a "reparar o reemplazar según sea necesario" no reducirá el período de cobertura de la garantía. Cualquier pieza reparada o sustituida bajo garantía estará garantizada durante el lapso restante del período.

DIAGNÓSTICO: El propietario no debe recibir cobro por los trabajos de diagnóstico que lleven a determinar que una pieza bajo garantía se encuentra de hecho defectuosa, siempre y cuando dicho trabajo de diagnóstico se realice en un centro cubierto por la garantía.

DAÑOS INDIRECTOS: Husqvarna Forest & Garden es responsable por los daños a otros componentes del motor causados en forma directa por una falla cubierta por la garantía de cualquiera de las piezas bajo garantía.

LISTADO DE PIEZAS DE EMISIONES CUBIERTAS POR LA GARANTÍA

1. Carburador y piezas internas.
2. Tubo de admisión, soporte del filtro de aire y pernos del carburador.
3. Filtro de aire y filtro de combustible cubiertos hasta el programa de mantenimiento.
4. Bujía, cubierta hasta el programa de mantenimiento.

5. Módulo de ignición.
6. Depósito de combustible, tubería de combustible (para combustible líquido y mangueras de vapor) y tapón de combustible.

ELEMENTOS SIN COBERTURA

Las fallas causadas por abuso, negligencia o mantenimiento incorrecto no están cubiertas por la garantía.

AÑADIDURAS O PIEZAS MODIFICADAS: No pueden utilizarse las añadiduras o piezas modificadas no exentas por la CARB o la EPA. La utilización de añadiduras o de piezas modificadas no exentas podrá servir de fundamento para anular una reclamación de garantía. Husqvarna Forest & Garden no será responsable de las fallas de garantía de las piezas garantizadas provocadas por el uso de complementos o piezas modificadas no exentas.

CÓMO PRESENTAR UNA RECLAMACIÓN

Si tiene preguntas relacionadas con sus derechos y responsabilidades de la garantía, deberá comunicarse con su concesionario de servicio autorizado más cercano o llamar a Husqvarna Forest & Garden en EE. UU. al 1-800-487-5951, en CANADÁ al 1-800-805-5523 o enviar un correo electrónico a emissions@husqvarnagroup.com.

DÓNDE OBTENER SERVICIOS DE LA GARANTÍA

Las reparaciones o los servicios de la garantía se brindan a través de todos los talleres de servicio autorizados de Husqvarna Forest & Garden.

MANTENIMIENTO, REEMPLAZO Y REPARACIÓN DE PIEZAS RELACIONADAS CON EL CONTROL DE EMISIONES

Cualquier pieza para sustituir una defectuosa puede utilizarse en cualquier mantenimiento o reparación bajo garantía y deben proporcionarse al propietario sin cargo. Dicho uso no reducirá las obligaciones de la garantía por parte del fabricante.

DECLARACIÓN DE MANTENIMIENTO

El propietario es responsable por la realización de todo el mantenimiento requerido, según se establece en el manual de usuario.

*El año del modelo actual y subsiguiente se actualizará anualmente en la declaración de garantía proporcionada al consumidor. Por ejemplo, en el año del modelo 2012, se especificará 2012-2013.

Table des matières

Introduction.....	39	Entretien.....	51
Sécurité.....	41	Transport et entreposage.....	54
Montage.....	46	Données techniques.....	56
Fonctionnement.....	48	Garantie.....	57

Introduction

Description de l'outil

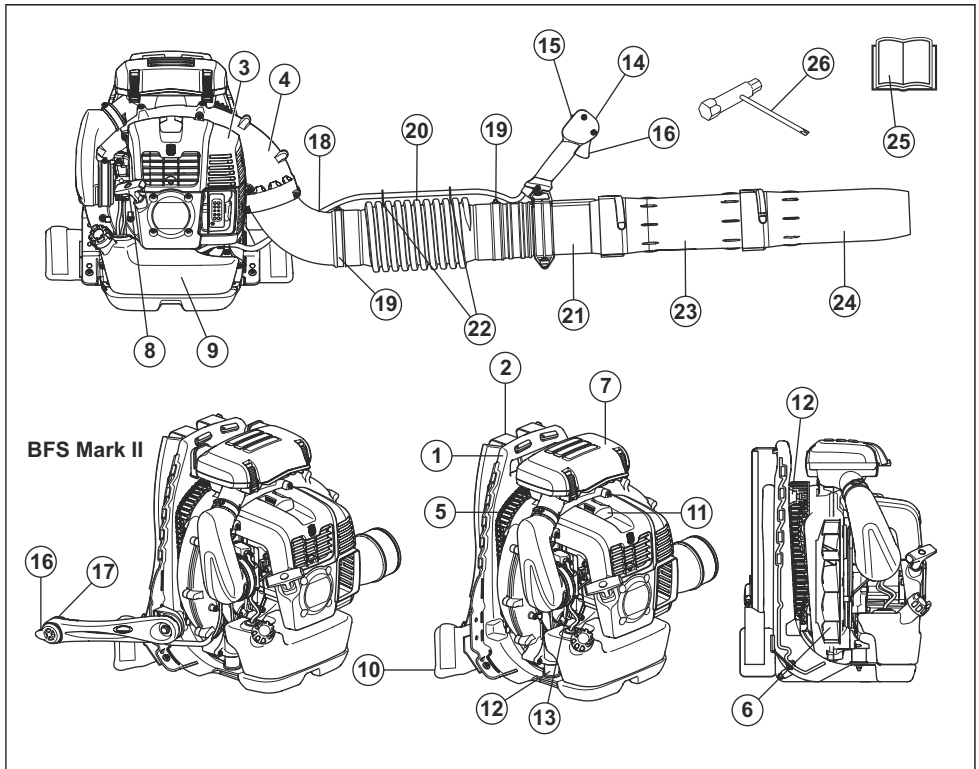
Ces produits sont des souffleurs dorsaux avec moteur thermique.

Nous avons une politique de développement continu et nous réservons donc le droit de modifier la conception et l'apparence des produits sans préavis.

Utilisation prévue

Utiliser ce produit pour souffler les feuilles et les autres matériaux indésirables des zones telles que des pelouses, des allées et des voies asphaltées.

Présentation de la machine



- | | |
|---------------------|---------------------------|
| 1. Cadre | 4. Boîtier du ventilateur |
| 2. Harnais | 5. Grille de prise d'air |
| 3. Couvercle moteur | 6. Ventilateur |

7. Filtre à air
8. Corde du lanceur
9. Réservoir de carburant
10. Ceinture
11. Bougie d'allumage
12. Système antivibrations
13. Commande de l'étrangleur
14. Poignée
15. Interrupteur d'arrêt avec réglage de la position de l'accélérateur
16. Gâchette d'accélération/interrupteur d'accélérateur
17. Interrupteur d'arrêt
18. Tuyau coudé
19. Collier
20. Tuyau flexible
21. Tuyau de commande
22. Collier de câble
23. Tuyau intermédiaire
24. Buse
25. Manuel d'utilisation
26. Clé à usages multiples

toutes les consignes de sécurité contenues dans le manuel d'utilisation.



Avant d'utiliser la tondeuse, lire attentivement le manuel d'utilisation et veiller à bien comprendre les directives.



Utiliser un dispositif de protection pour les oreilles et des lunettes de protection homologués. Si l'environnement contient de la poussière, utiliser un masque respiratoire.



Utiliser des gants de protection homologués.



Ravitaillement en carburant.



Pompe de purge d'air.



Tenir toute partie du corps à l'écart des surfaces chaudes.



Étrangleur en position ouverte.



Étrangleur en position fermée.

Symboles figurant sur l'appareil



AVERTISSEMENT! Ce produit est dangereux. L'opérateur ou les personnes à proximité peuvent subir des blessures graves voire mortelles, si le produit n'est pas utilisé correctement et avec précaution. Pour éviter des blessures à l'opérateur ou aux personnes à proximité, lire et respecter



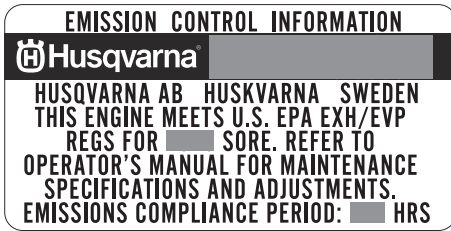
yyyywwxxxx

Le souffleur peut projeter violemment des objets qui peuvent rebondir. Cela peut provoquer des lésions oculaires graves si l'équipement de sécurité recommandé n'est pas utilisé.

L'utilisateur du souffleur doit s'assurer qu'aucune personne et qu'aucun animal ne s'approche à moins de 15 mètres. Lorsque plusieurs utilisateurs travaillent dans une même zone de travail, ils doivent maintenir une distance de sécurité d'au moins 15 mètres l'un de l'autre.

La plaque signalétique indique le numéro de série. **yyyy** représente l'année de production, **ww** indique la semaine de production et **xxxx** indique le numéro séquentiel.

Remarque : Les autres symboles/autocollants présents sur le produit renvoient aux exigences en matière de certification pour d'autres zones commerciales.



La période de conformité aux normes d'émissions indiquée sur les étiquettes de conformité aux normes d'émissions se rapporte au nombre d'heures de fonctionnement du moteur qui répond aux exigences fédérales en matière d'émissions. N'importe quel établissement ou agent de réparation de moteur non routier peut effectuer l'entretien, le remplacement et la réparation des dispositifs et du système de contrôle des émissions.

Proposition 65 de la Californie



Responsabilité concernant le produit

Comme indiqué dans les lois en vigueur sur la responsabilité concernant les produits, nous ne serons pas tenus responsables des dommages que notre produit causerait dans les situations suivantes :

- Le produit n'est pas réparé de façon adéquate.

- Le produit est réparé avec des pièces qui ne sont pas fournies ou homologuées par le fabricant.
- Le produit comprend un accessoire qui n'est pas fourni ou homologué par le fabricant.
- Le produit n'est pas réparé par un centre de service après-vente agréé ou par une autorité homologuée.

Sécurité

Définitions relatives à la sécurité

Les avertissements, recommandations et remarques soulignent des points du manuel qui revêtent une importance particulière.



AVERTISSEMENT: Indique la présence d'un risque de blessure ou de décès de l'utilisateur ou de personnes à proximité si les instructions du manuel ne sont pas suivies.



MISE EN GARDE : Indique la présence d'un risque de dommages au produit, à d'autres appareils ou à la zone adjacente si les instructions du manuel ne sont pas suivies.

Remarque : Utilisé pour donner des renseignements plus détaillés qui sont nécessaires dans une situation donnée.

Consignes générales de sécurité



AVERTISSEMENT: Lire les messages d'avertissement qui suivent avant d'utiliser l'outil.

- La conception du produit ne peut en aucun cas être modifiée sans l'autorisation du fabricant. Toujours utiliser des accessoires d'origine. Les modifications et/ou les accessoires non autorisés peuvent entraîner des blessures graves ou la mort de l'opérateur ou d'autres personnes.
- Ne jamais utiliser un appareil qui a été modifié de quelque manière que ce soit par rapport aux spécifications d'origine.
- Ne jamais utiliser un appareil défectueux. Effectuer les vérifications de sécurité, de maintenance et d'entretien conformément aux instructions fournies dans ce manuel. Certaines mesures de maintenance et d'entretien doivent être effectuées par des spécialistes formés et qualifiés. Se reporter à la

section *Calendrier d'entretien à la page 52* pour obtenir des instructions.

- Tous les travaux de réparation nécessitent une formation spéciale. Ceci concerne particulièrement l'équipement de sécurité. Ne jamais utiliser un produit dont les équipements de sécurité sont défectueux. Si les contrôles décrits dans ce manuel de l'opérateur ne sont pas concluants, vous devez communiquer avec un atelier spécialisé. Les équipements de sécurité du produit doivent être entretenus comme décrit dans ce manuel d'utilisation. L'achat de l'un de nos produits offre à l'acheteur la garantie d'un service et de réparations qualifiés. Si le détaillant qui vous a vendu le produit n'est pas un centre de service agréé, demandez-lui l'adresse de l'atelier spécialisé le plus proche.

Consignes de sécurité pour l'utilisation



AVERTISSEMENT: Lire les messages d'avertissement qui suivent avant d'utiliser l'appareil.

- Ce produit est un outil dangereux s'il est utilisé de manière incorrecte ou avec négligence, ce qui peut provoquer des blessures graves, voire mortelles. Il est extrêmement important de lire et de comprendre le contenu de ce manuel de l'opérateur.
- L'exposition prolongée au bruit peut causer des lésions auditives permanentes. Toujours utiliser un dispositif de protection homologué pour les oreilles.
- Effectuer une inspection générale de la machine avant de l'utiliser; se reporter à *Calendrier d'entretien à la page 52*.
- N'utilisez jamais la machine en cas de fatigue, d'absorption d'alcool ou de prise de médicaments susceptibles de nuire à la vision, au bon jugement ou à la maîtrise du corps.
- Porter un équipement de protection personnelle. Se reporter à la section *Équipement de protection personnelle à la page 43*.
- Tous les couvercles et toutes les protections doivent être montés avant le démarrage. S'assurer que le capuchon de la bougie d'allumage et le fil d'allumage ne sont pas endommagés, afin d'éviter le risque de décharge électrique.
- L'utilisateur du souffleur doit s'assurer que personne et qu'aucun animal ne se tiennent à moins de 15 m. Lorsque plusieurs utilisateurs travaillent dans une même zone, ils doivent maintenir une distance de sécurité d'au moins 15 m les uns des autres.
- Ne jamais laisser un enfant manœuvrer la machine. Ne jamais laisser des gens utiliser la machine sans d'abord s'assurer qu'ils ont lu et compris le contenu du manuel de l'opérateur.
- Toujours vérifier qu'aucun objet n'obstrue la grille de prise d'air avant de commencer les travaux.
- Ne retirez jamais la grille de prise d'air.
- En cas d'urgence, libérez-vous de la machine : ouvrez la ceinture et la bride d'épaule, et laissez la machine tomber vers l'arrière.
- Consultez toujours les autorités locales pour vous assurer de respecter les règlements en vigueur.
- Tenez toute partie du corps à l'écart des surfaces chaudes.
- Ne jamais démarrer la machine à l'intérieur. Les gaz d'échappement du moteur sont nocifs s'ils sont inhalés.
- Observer et rester conscient de l'environnement. S'assurer qu'aucune personne et qu'aucun animal ne peut se trouver en contact avec le produit. Si une personne s'approche de la zone de travail, ramener la commande d'accélération au régime le plus bas jusqu'à ce que cette personne se trouve à une distance sécuritaire. Diriger le produit à l'écart des personnes, des animaux, des aires de jeux, des fenêtres ouvertes, des voitures, etc. Aucune personne non autorisée ou animal ne doit se trouver dans la zone de travail à moins de 15 mètres.
- La surexposition aux vibrations peut entraîner des problèmes circulatoires ou des troubles nerveux, en particulier chez les personnes ayant des troubles circulatoires. En cas de symptômes liés à une surexposition aux vibrations, consulter un médecin. Voici certains de ces symptômes : engourdissement, perte de sensibilité, fourmillement, picotement, douleur, faiblesse musculaire, décoloration ou modification de l'épiderme. Ces symptômes apparaissent normalement aux doigts, aux mains et aux poignets. Les risques augmentent à basse température.
- Les gaz d'échappement du moteur contiennent du monoxyde de carbone pouvant provoquer l'intoxication. C'est la raison pour laquelle il ne faut pas démarrer ou utiliser le produit à l'intérieur ou dans un lieu mal aéré. Les gaz d'échappement du moteur sont chauds et peuvent contenir des étincelles qui peuvent causer un incendie. Ne jamais démarrer l'appareil à l'intérieur ou à proximité de matériaux combustibles.
- Laisser le moteur refroidir avant de remplir le réservoir.
- Les puissants jets d'air peuvent déplacer des objets à une vitesse telle qu'ils peuvent ricocher et causer de graves blessures aux yeux.
- Ne jamais diriger le jet d'air vers des personnes ou des animaux.
- Ne pas utiliser la machine par mauvais temps, par exemple, en cas de brouillard épais, de forte pluie, de vent violent, de grand froid, etc. Travailler par mauvais temps est éprouvant et ajoute des risques, par exemple, un sol glissant.
- Réduire la durée d'utilisation en humidifiant légèrement les zones poussiéreuses ou en utilisant un pulvérisateur.
- Assurez-vous qu'il est possible de vous déplacer et de vous tenir debout en toute sécurité. Repérer les éventuels obstacles (racines, roches, branches,

fossés, etc.) en cas de déplacement imprévu. Faire très attention pendant le travail sur une pente.

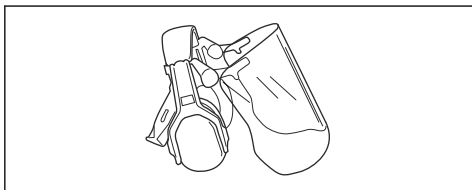
- Ne jamais déposer l'outil quand le moteur marche à moins de l'avoir sous les yeux.
- Ne jamais utiliser le produit à partir d'échelles ou d'endroits surélevés (comme des toits). Non seulement c'est interdit, mais cela peut provoquer des blessures corporelles graves.
- Ne pas utiliser le produit s'il est impossible d'appeler de l'aide en cas d'accident.
- Faire preuve de prudence à l'égard des projections d'objets. Toujours porter des lunettes de protection. Des pierres, des débris, etc. peuvent être projetés dans vos yeux, causant la cécité ou des blessures graves. Tenez à l'écart toute personne non autorisée. Les enfants, les animaux, les observateurs et les collègues doivent se trouver à l'extérieur de la zone de sécurité, soit à une distance d'au moins 15 m. Arrêter la machine immédiatement si une personne s'approche.
- Ne pas faire fonctionner le produit si la sortie d'échappement est obstruée par un mur ou un autre obstacle. Cela peut endommager le produit. S'assurer de respecter une distance d'au moins 50 cm entre l'échappement et l'obstacle pendant le fonctionnement.
- Arrêter toujours le moteur avant d'effectuer le nettoyage.
- Toujours éloigner le produit de la zone et de la source de remplissage avant de démarrer. Placer le produit sur une surface plane.
- Le produit ne peut démarrer que si tous ses éléments sont montés. Tout démarrage du produit alors que ses protections ne sont pas toutes en place constitue un risque de blessures personnelles.

Équipement de protection personnelle

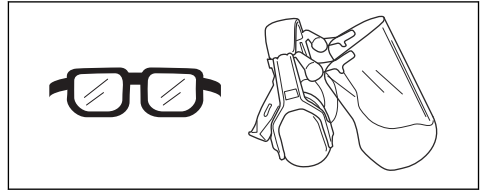


AVERTISSEMENT: Lire les messages d'avertissement qui suivent avant d'utiliser l'appareil.

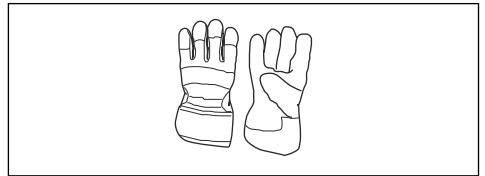
- Toujours utiliser un équipement de protection personnelle homologué lors de l'utilisation de l'appareil. Cet équipement de protection personnelle n'élimine pas complètement les risques de blessures, mais il peut en réduire la gravité en cas d'accident. Laisser le concessionnaire vous aider à sélectionner l'équipement adéquat.
- Utiliser un dispositif de protection homologué pour les oreilles.



- Utiliser un dispositif de protection homologué pour les yeux. Porter également des lunettes de protection homologuées en cas d'utilisation d'une visière. Les lunettes de protection homologuées doivent être conformes à la norme ANSI Z87.1 aux États-Unis ou à la norme EN 166 dans les pays de l'Union européenne.



- Utiliser des gants au besoin, par exemple lors de l'examen ou du nettoyage du produit.

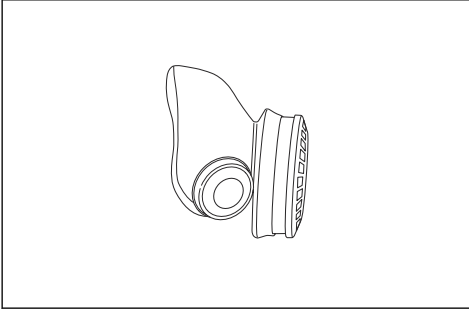


- Utiliser des bottes de protection ou des chaussures avec semelles antidérapantes.

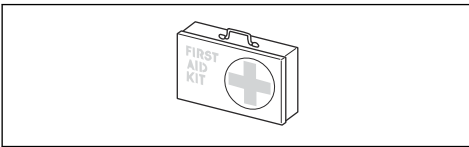


- Utiliser des vêtements faits de tissus résistants. Toujours utiliser des pantalons longs et lourds et des manches longues. Ne pas porter des vêtements amples qui peuvent se prendre dans les broussailles et les branches. Ne pas porter des bijoux, des pantalons courts, des chaussures ouvertes et ne pas marcher pieds nus. Garder les cheveux au-dessus de vos épaules.

- Utiliser une protection respiratoire lorsqu'il y a un risque de poussière.



- Garder une trousse de premiers soins à portée de main.



Dispositifs de sécurité sur l'outil



AVERTISSEMENT: Lire les messages d'avertissement qui suivent avant d'utiliser l'outil.

Cette section décrit l'équipement de sécurité du produit, son but et la façon d'en effectuer les inspections et l'entretien afin de s'assurer qu'il fonctionne correctement. Voir les instructions à la section *Présentation de la machine à la page 39* pour savoir où se trouvent ces pièces sur votre produit.

La durée de vie du produit peut être réduite et le risque d'accident peut augmenter si l'entretien de la machine n'est pas effectué correctement et si l'entretien ou les réparations ne sont pas effectués de façon professionnelle. Pour obtenir de plus amples informations, veuillez communiquer avec votre concessionnaire le plus proche.



AVERTISSEMENT: N'utilisez jamais un produit dont les composants de sécurité sont défectueux. L'équipement de sécurité du produit doit être inspecté et entretenu selon les directives de la présente section. Si une inspection de la machine détecte une panne, communiquez avec un atelier spécialisé pour réparation.



MISE EN GARDE : Tous les travaux de réparation nécessitent une formation spéciale. Ceci concerne particulièrement l'équipement de sécurité de la machine. Si les contrôles suivants ne donnent pas un

résultat positif, vous devez communiquer avec un atelier spécialisé. L'achat de l'un de nos produits offre à l'acheteur la garantie d'un service et de réparations qualifiés. Si le détaillant qui vous a vendu la machine n'est pas un centre de service agréé, demandez-lui l'adresse de l'atelier spécialisé le plus proche.

Pour vérifier le silencieux



AVERTISSEMENT: Ne pas utiliser un produit dont le silencieux est défectueux.



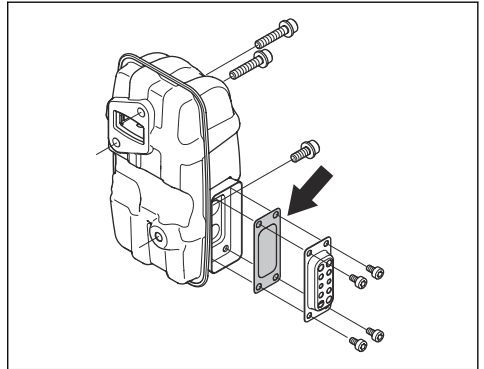
AVERTISSEMENT: Le silencieux devient extrêmement chaud pendant et après utilisation, même lorsque le moteur tourne au ralenti. Utiliser des gants de protection pour éviter des brûlures.

Le silencieux maintient le niveau de bruit au minimum et dirige les gaz d'échappement loin de l'utilisateur.

1. Couper le moteur.
2. Effectuer une inspection visuelle pour détecter d'éventuels dommages ou déformation.

Remarque : Les surfaces internes du silencieux contiennent des produits chimiques pouvant causer des cancers. Faire attention à ne pas toucher ces éléments si le silencieux est endommagé.

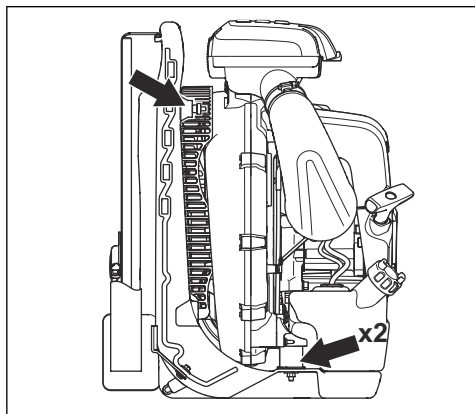
3. S'assurer que le silencieux est bien fixé sur le produit. Serrer les vis au couple de 8 à 12 Nm.



4. Examiner l'écran pare-étincelles, effectuer un contrôle visuel.
 - a) Si l'écran pare-étincelles est endommagé, le remplacer.
 - b) Si l'écran pare-étincelles est bloqué, le nettoyer. Reportez-vous à la section *Entretien du silencieux à la page 53* pour plus de détails.

Système antivibrations

Le produit est doté d'un système antivibrations qui amortit les vibrations et rend l'utilisation plus confortable. Examiner le système antivibrations et vérifier qu'il n'est pas endommagé. S'assurer que le système antivibrations est bien fixé.

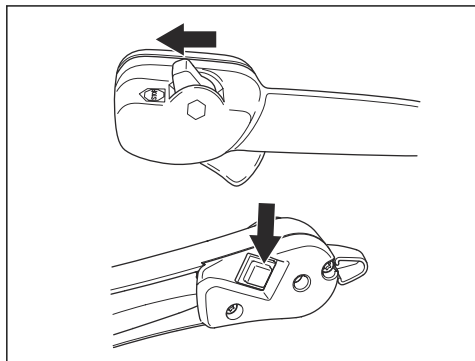


Filtre à air

Ne pas utiliser ce produit sans son filtre à air et vérifier que celui-ci n'est pas endommagé, qu'il ne présente aucune déformation.

Interrupteur d'arrêt

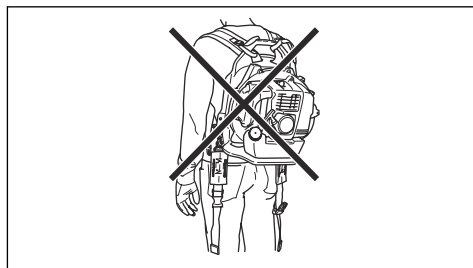
Utiliser l'interrupteur d'arrêt pour arrêter le moteur. S'assurer que le moteur s'arrête complètement.



Sécurité du harnais

Toujours porter le harnais lors de l'utilisation de la machine. Si vous n'utilisez pas le harnais, vous ne pouvez pas utiliser le produit en toute sécurité. Cela peut engendrer des blessures pour vous et pour d'autres personnes. Assurez-vous que la ceinture et la sangle d'épaule soient bien fixées et réglées

correctement. Sinon, il y a un risque que la ceinture se prenne dans la turbine du produit.



Sécurité – carburant



AVERTISSEMENT: Lire les messages d'avertissement qui suivent avant d'utiliser l'outil.

- Ne pas mélanger le carburant à l'intérieur ou à proximité d'une source de chaleur.
- Ne pas démarrer l'outil s'il y a du carburant ou de l'huile moteur sur l'outil. Nettoyer le carburant ou l'huile et laisser sécher l'outil. Nettoyer tout carburant qui souille l'outil.
- Si du carburant se déverse sur les vêtements, changer immédiatement de vêtement.
- Ne pas déverser du carburant sur le corps; cela pourrait causer des blessures. Si du carburant se déverse sur le corps, se nettoyer au savon doux et à l'eau.
- Ne pas démarrer le moteur si de l'huile ou du carburant se renverse sur l'outil ou sur le corps.
- Ne pas démarrer l'outil si le moteur présente une fuite. Vérifier régulièrement le moteur à la recherche de fuites.
- Faire preuve de prudence lors de la manipulation du carburant. Celui-ci est inflammable et ses vapeurs sont explosives et peuvent causer des blessures ou la mort.
- Ne pas respirer les vapeurs de carburant, car elles peuvent causer des blessures. Vérifier que la ventilation est suffisante.
- Ne pas fumer à proximité du carburant ou du moteur.
- Ne pas placer des objets chauds à proximité du carburant ou du moteur.
- Ne pas faire le plein de carburant lorsque le moteur tourne.
- Vérifier que le moteur est froid avant de faire le plein.
- Avant de faire le plein, ouvrir lentement le couvercle du réservoir de carburant et relâcher la pression avec précaution.
- Ne pas faire le plein dans une pièce fermée. Un débit d'air insuffisant peut entraîner des blessures ou la mort en raison d'une asphyxie ou du monoxyde de carbone.

- Serrer le couvercle du réservoir de carburant avec précaution, car un feu pourrait se déclencher.
- Avant de démarrer l'outil, le déplacer à au moins 3 m (10 pi) de la position où le plein de carburant a été fait.
- Ne pas mettre trop de carburant dans le réservoir de carburant.
- Vérifier qu'une fuite ne peut se produire lorsqu'on déplace l'outil ou le bidon d'essence.
- Ne pas placer l'outil ou un bidon d'essence dans un espace où il y a une flamme nue, des étincelles ou une veilleuse. Vérifier que la zone de stockage ne contient pas de flamme nue.
- Utiliser seulement des conteneurs agréés pour transporter ou stocker le carburant.
- Vider le réservoir de carburant avant de le remiser pour une période prolongée. Toujours respecter la législation locale sur la façon de mettre le carburant au rebut.
- Nettoyer l'outil avant de le remiser pour une période prolongée.
- Débrancher le chapeau de bougie avant de remiser le produit, pour que le moteur ne démarre pas par inadvertance.

Consignes de sécurité pour la maintenance



AVERTISSEMENT: Lire les messages d'avertissement qui suivent avant d'utiliser l'outil.

- Votre garantie ne couvre pas les dommages ou la responsabilité causés par l'utilisation d'accessoires ou de pièces de rechange non autorisés.
- L'intérieur du silencieux contient des produits chimiques pouvant être cancérigènes. Éviter tout contact avec ces éléments si le silencieux est endommagé.
- Arrêter le moteur avant de monter ou démonter des accessoires ou d'autres pièces.
- Vérifier que la grosse broche ronde du collier de serrage est insérée dans la sangle. Si elle est mal insérée, elle peut causer des blessures personnelles.

Montage

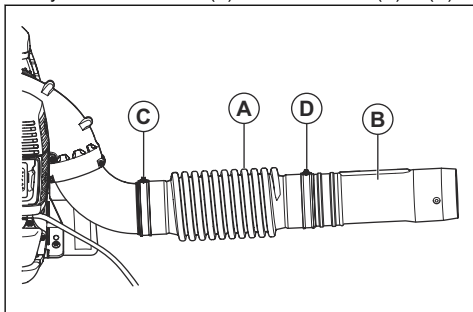
Introduction



AVERTISSEMENT: Lire et comprendre le chapitre sur la sécurité avant d'assembler le produit.

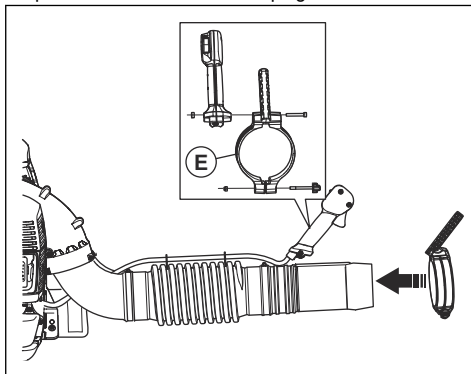
Assemblage du tube et de la poignée sur le produit :580BTS Mark II

1. Fixer le tuyau flexible (A) sur le tuyau coudé et le tuyau de commande (B) avec les colliers (C) et (D).



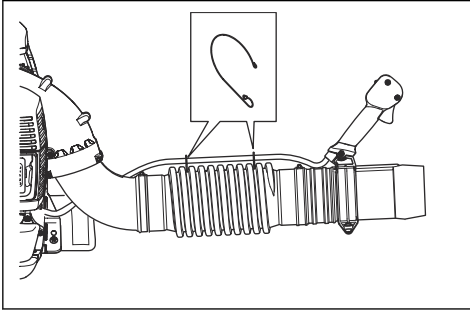
Remarque : Lubrifier le tuyau de commande et le tuyau flexible pour en faciliter l'assemblage.

2. Fixer la poignée (E) sur le tube de commande et placer le bouton à travers la sangle.

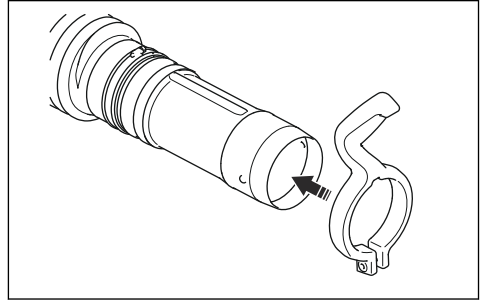


3. Serrer le bouton.

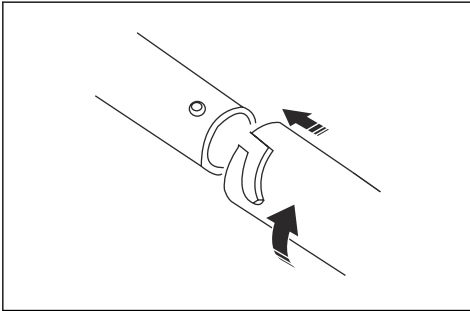
4. Attacher les câbles au tuyau flexible avec le collier du câble.



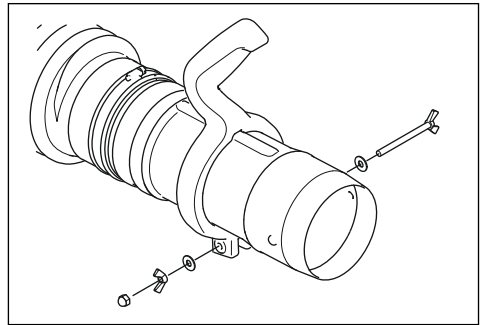
2. Pousser la poignée (E) sur le tuyau de commande (B).



5. Fixer le tube intermédiaire sur le tuyau de commande.



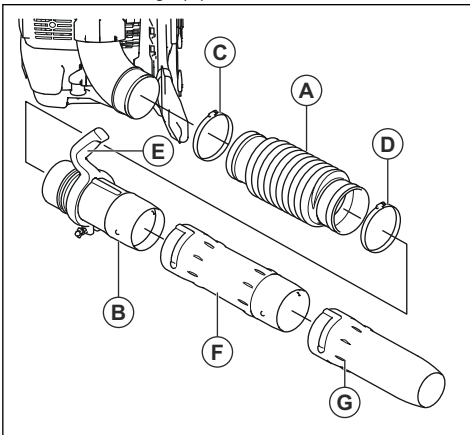
3. Fixer et serrer le boulon, la rondelle et les écrous comme indiqué sur l'illustration.



6. Fixer la buse du souffleur sur le tube intermédiaire.

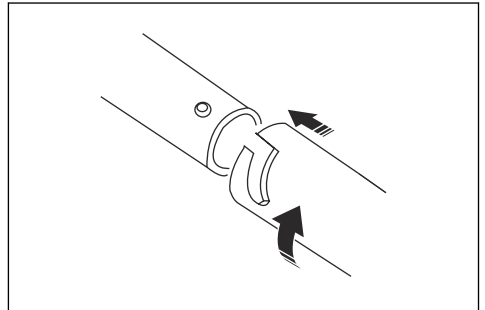
Assemblage du tube et de la poignée sur le produit :580BFS Mark II

1. Fixer le tuyau flexible (A) sur le tuyau coudé avec le collier de serrage (C).



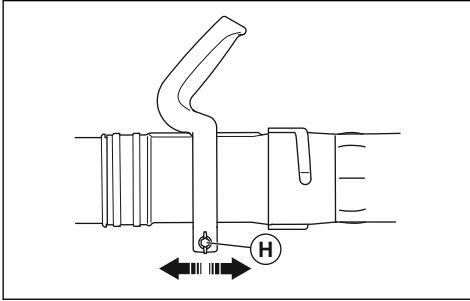
4. Fixer le tuyau de commande (B) sur le tuyau flexible (A) avec le collier (D). Vérifier que le repère sur le tuyau de commande est vers le haut.

5. Fixer le tube intermédiaire (F) sur le tuyau de commande.



6. Fixer la buse (G) du souffleur sur le tube intermédiaire.

7. Desserrer le bouton (H) pour régler la position de la poignée.

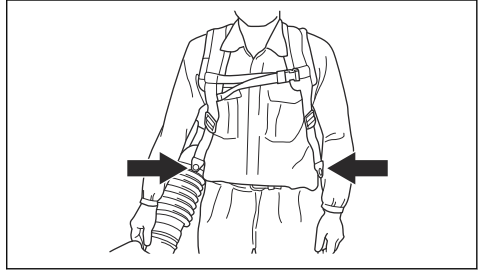


8. Serrer fermement le bouton à nouveau.

Réglage du harnais

Le harnais et ce produit bien adaptés simplifient leur utilisation.

1. Enfiler correctement le harnais du produit.
2. Serrer les ceintures latérales jusqu'à ce que le produit soit bien ajusté au corps.



3. Connecter la sangle de poitrine à la pince.
4. Serrer la sangle.

Fonctionnement

Introduction



AVERTISSEMENT: Lire et comprendre le chapitre sur la sécurité avant d'utiliser le produit.

Carburant

Utilisation du carburant



MISE EN GARDE : Cet outil est équipé d'un moteur à deux-temps. Utiliser un mélange d'essence et d'huile pour moteur à deux-temps. Prendre soin de verser la bonne quantité d'huile dans le mélange. Un mauvais rapport essence/huile peut endommager le moteur.

Carburant alkylat Husqvarna



MISE EN GARDE : Ne pas utiliser d'essence à indice d'octane inférieur à 90 RON (87 AKI). Cela pourrait endommager le produit.



MISE EN GARDE : Ne pas utiliser d'essence avec une concentration d'éthanol supérieure à 10 % (E10). Cela pourrait endommager l'outil.



MISE EN GARDE : Ne pas utiliser d'essence au plomb. Cela pourrait endommager l'outil.

Il est recommandé d'utiliser le carburant alkylat Husqvarna pour obtenir une performance optimale. Ce carburant donne des gaz d'échappement moins dangereux par rapport au carburant ordinaire. Il permet de garder le moteur propre et augmente la durée de vie du moteur. Le carburant alkylat Husqvarna n'est pas disponible dans toutes les zones commerciales.

- Toujours utiliser de l'essence neuve sans plomb d'indice d'octane minimal de 90 RON (87 AKI) et avec une concentration en éthanol inférieure à 10 % (E10).
- Utiliser de l'essence avec un taux d'octane supérieur pour utiliser fréquemment le produit à régime moteur élevé en permanence.
- Toujours utiliser un mélange essence sans plomb-huile de bonne qualité.

Huile à moteur deux-temps

- Pour obtenir un meilleur résultat et un fonctionnement optimal, toujours utiliser Husqvarna de l'huile pour moteur deux-temps, fabriquée spécialement pour nos moteurs deux-temps.
- Si Husqvarna l'huile pour moteur à deux temps n'est pas disponible, utiliser une autre huile pour moteur à deux temps de bonne qualité fabriquée pour des moteurs refroidis à l'air. Communiquer avec votre centre de service agréé lors de la sélection d'une huile.
- Ne pas utiliser l'huile pour moteur à deux temps dans des moteurs hors-bord refroidis à l'eau, également appelée huile pour moteur hors-bord.
- Ne pas utiliser de l'huile conçue pour des moteurs à quatre temps.

Essence, l	Huile pour moteur à deux temps, l
	2 % (50:1)
5	0,10
10	0,20
15	0,30
20	0,40
gallon US	once liquide US
1	2 ½
2 ½	6 ½
5	12 ⅝

Mélange de carburant

Remarque : Utiliser toujours un récipient de carburant propre pour mélanger le carburant.

Remarque : Ne pas effectuer une quantité de mélange de carburant pour plus de 30 jours.

1. Ajouter la moitié de la quantité d'essence.
2. Ajouter la quantité totale d'huile.
3. Agiter le mélange de carburant pour mélanger le contenu.
4. Ajouter l'essence restante.
5. Agiter le mélange de carburant pour mélanger le contenu.
6. Remplir le réservoir de carburant.

Ajout de carburant

- Toujours utiliser un bidon d'essence comportant un robinet antidéversement.
- S'il y a un peu de carburant sur ou dans le récipient, nettoyer le carburant et laisser le récipient au sec.
- Vérifier que le couvercle du réservoir de carburant est propre.
- Agiter le récipient à carburant avant d'ajouter le mélange de carburant dans le réservoir de carburant.

Remplissage du réservoir de carburant

1. Mettre le produit hors tension.
2. Placer la machine sur une surface plane.
3. Desserrer le bouchon du réservoir de carburant pour relâcher la pression dans le réservoir de carburant.
4. Retirer le couvercle du réservoir de carburant.
5. Remplir le réservoir de carburant à 80 %.

6. Serrer fermement le couvercle du réservoir de carburant.
7. S'assurer qu'il n'y a pas de fuite dans le réservoir de carburant.

Avant d'utiliser le produit



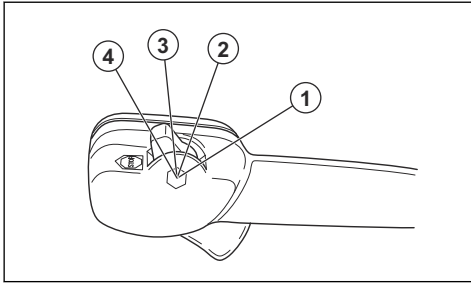
AVERTISSEMENT: Lire les instructions de sécurité avant d'utiliser le produit.

- Utilisez le souffleur au plus petit régime possible. Un plus petit régime signifie moins de bruit et de poussière, et il est également plus facile de garder le contrôle sur les débris que vous entassez ou déplacez. Utiliser un râteau ou un balai pour dégager les débris coincés dans le sol.
- Garder l'ouverture du souffleur aussi près du sol que possible. Utiliser toute la longueur du tube de soufflage afin de garder le courant d'air proche du sol. Nettoyer une fois le travail terminé. S'assurer que des débris n'ont pas été accidentellement projetés dans le jardin d'un voisin. N'utiliser votre équipement motorisé qu'à des heures raisonnables, pas trop tôt le matin ni trop tard le soir lorsque des personnes pourraient être dérangées. Respecter les plages horaires stipulées dans les arrêtés locaux.
- Ce souffleur se porte sur le dos, à l'aide d'un harnais d'épaule. Il est actionné et commandé avec la main droite au moyen d'une poignée située sur le tube.
- La vitesse du jet d'air se règle à l'aide de la commande d'accélération. Sélectionner la vitesse la mieux adaptée à la tâche en cours.
- Vérifier que la prise d'air n'est pas obstruée, par exemple par des feuilles ou des déchets. Si la prise d'air est obstruée, la capacité de soufflage diminue et la température de fonctionnement du moteur augmente, ce qui pourrait entraîner une défaillance du moteur. Arrêter le moteur et retirer l'obstruction.
- Tenir compte de la direction du vent. Le travail est plus facile s'il est effectué dans la direction du vent.
- L'utilisation du souffleur pour déplacer des monticules importants prend beaucoup de temps et génère un bruit inutile.
- Se tenir bien campé et en parfait équilibre.
- Une fois le travail terminé, la machine doit être rangée en position verticale.

Pour actionner la gâchette d'accélérateur :580BTS Mark II

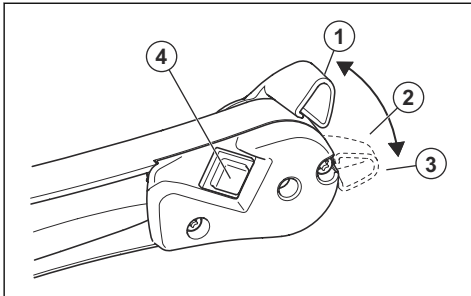
- Faire tourner le moteur à plein régime (1).
- Appliquer 1/3 de vitesse (2).
- Appliquer le ralenti (3).

- Arrêter le produit avec le bouton d'arrêt (4).



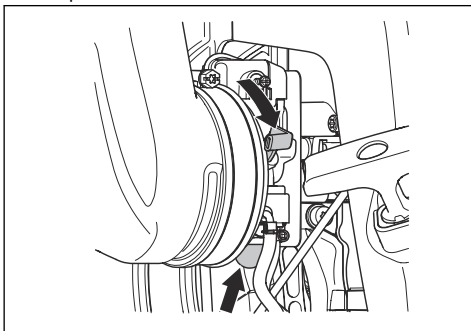
Pour actionner la gâchette d'accélérateur :580BFS Mark II

- Faire tourner le moteur à plein régime (1).
- Appliquer 1/3 de vitesse (2).
- Appliquer le ralenti (3).
- Arrêter le produit avec le bouton d'arrêt (4).



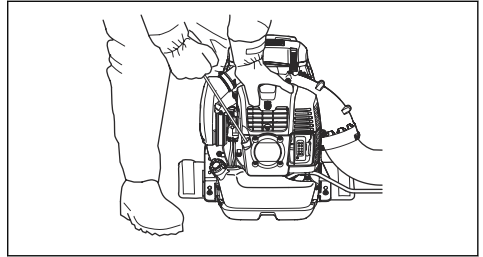
Mise sous tension de l'appareil

1. Si le moteur est froid, pousser le volet de départ (C) à la position du starter.



2. Appuyer sur la poire de purge d'air à plusieurs reprises jusqu'à ce que du carburant commence à remplir la poire de purge. Il n'est pas nécessaire de remplir entièrement la poire de purge d'air.

3. Pousser le levier d'accélérateur jusqu'à la position 1/3 de régime. Se reporter à la section *Pour actionner la gâchette d'accélérateur :580BFS Mark II à la page 49.*
4. Placer le produit sur une surface plane au sol.
5. Saisir le produit de la main gauche.



6. Placer le pied droit sur le châssis.
7. Tirer lentement la poignée du câble du lanceur jusqu'à rencontrer une résistance.
8. Tirez sur la poignée du câble du démarreur rapidement avec la main droite jusqu'à ce que le moteur démarre ou tente de démarrer, maximum 10 fois. Si le moteur démarre, déplacez progressivement le levier du starter vers la position ouverte.

Remarque : Ne pas tirer complètement le câble du lanceur et ne pas lâcher la poignée du câble du lanceur.

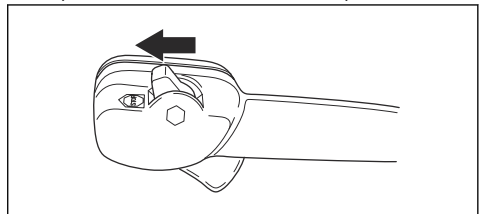
9. Déplacez le levier du starter vers la position ouverte jusqu'à ce qu'il s'arrête.
10. Tirez sur le câble du lanceur plusieurs fois jusqu'à ce que le moteur démarre et continue à tourner.
11. Si le moteur ne démarre pas, répétez les étapes 1 à 10.
12. Laissez tourner le moteur pour le réchauffer pendant 2 à 3 minutes avant toute utilisation.

Arrêt du produit :580BFS Mark II



MISE EN GARDE : Ne pas arrêter le produit à pleine vitesse.

1. Déplacer le levier d'accélérateur à la position d'arrêt.

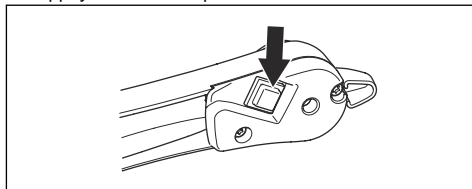


Arrêt du produit :580BFS Mark II



MISE EN GARDE : Ne pas arrêter le produit à pleine vitesse.

1. Appuyer sur l'interrupteur d'arrêt.



Entretien

Introduction



AVERTISSEMENT: Lire et comprendre le chapitre sur la sécurité avant de faire l'entretien du produit.

Calendrier d'entretien

Entretien	Quotidien	Hebdomadaire	Mensuel
Nettoyer la surface externe.	X		
S'assurer que la commande d'accélération fonctionne correctement.	X		
S'assurer que l'interrupteur d'arrêt fonctionne correctement.	X		
Vérifier l'interrupteur d'arrêt, se reporter à <i>Arrêt du produit :580BTS Mark II à la page 50.</i>	X		
Examiner le moteur, le réservoir de carburant et les conduites de carburant pour détecter d'éventuelles fuites.	X		
Nettoyer le filtre à air. Les remplacer au besoin.	X		
Serrer les écrous et les vis.	X		
Examiner le filtre à carburant pour voir s'il y a une contamination et le tuyau à carburant pour voir s'il y a des fissures et d'autres défauts. Les remplacer au besoin.	X		
Examiner l'admission d'air et vérifier qu'elle n'est pas obstruée.	X		
Examiner le lanceur et la corde du lanceur pour détecter d'éventuels dommages.		X	
Examiner les éléments antivibrations pour s'assurer qu'ils ne présentent pas de dommages ou de fissures.		X	
Vérifier la bougie d'allumage, se reporter à <i>Pour vérifier la bougie d'allumage à la page 52.</i>		X	
Nettoyer le système de refroidissement.		X	
Nettoyer la surface externe du carburateur et ses zones adjacentes.		X	
Nettoyer le réservoir de carburant.			X
Vérifier tous les câbles et toutes les connexions.			X
Nettoyer ou remplacer l'écran pare-étincelles sur le silencieux.			X
Remplacer la bougie d'allumage S'assurer qu'elle est fixée avec un surpresseur.			X

Pour vérifier la bougie d'allumage



MISE EN GARDE : Utiliser la bougie recommandée. Se reporter à la section *Données techniques à la page 56.* Une bougie inadéquate peut endommager l'outil.

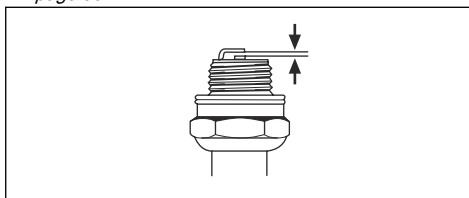
1. Si le produit n'est pas facile à démarrer ou à faire fonctionner ou s'il fonctionne mal au régime de ralenti, examiner la bougie d'allumage pour détecter d'éventuels matériaux indésirables. Afin de réduire le risque de matériau indésirable sur les électrodes de la bougie d'allumage, effectuer les étapes suivantes :

- a) Vérifier que le régime de ralenti est réglé de façon adéquate.

- b) Vérifier que le mélange de carburant est correct.
- c) Vérifier que le filtre à air est propre.

2. Nettoyer la bougie si elle est sale.

3. Vérifier que l'écartement des électrodes est correct. Se reporter à la section *Données techniques à la page 56.*



- Remplacer la bougie d'allumage une fois par mois ou plus fréquemment, au besoin.

Nettoyage du système de refroidissement



MISE EN GARDE : Un système de refroidissement encrassé ou bloqué peut entraîner une surchauffe du produit, ce qui peut endommager ce dernier.

Le système de refroidissement comprend les ailettes de refroidissement du cylindre et la grille d'entrée d'air.

- S'assurer que le système de refroidissement n'est pas sale ou obstrué.
- Nettoyer le système de refroidissement au moyen d'une brosse une fois par semaine ou plus fréquemment au besoin.

Entretien du silencieux

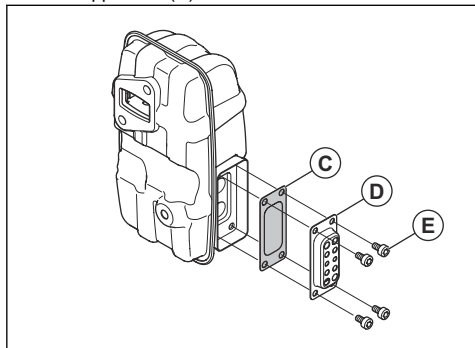


AVERTISSEMENT: Ne pas utiliser un produit dont le silencieux est défectueux.



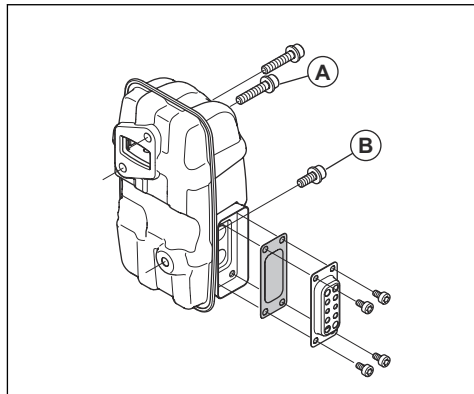
AVERTISSEMENT: Les silencieux deviennent très chaud pendant et après utilisation, ainsi que lorsque le moteur tourne au ralenti. Utiliser des gants de protection pour éviter des brûlures.

- Couper le moteur et laisser le silencieux refroidir.
- Si l'écran pare-étincelles est endommagé, le remplacer.
- Retirer les vis (E) et déposer le conduit d'échappement (D).



Remarque : Les surfaces internes du silencieux contiennent des produits chimiques pouvant causer des cancers. Faire attention à ne pas toucher ces éléments si le silencieux est endommagé.

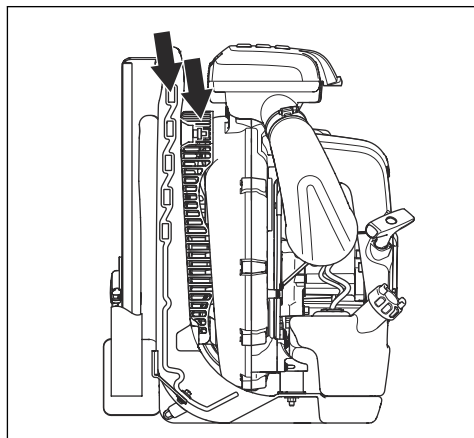
- Déposer l'écran pare-étincelles (C) et le nettoyer avec une brosse métallique. Retirer la saleté de l'entrée et la sortie du silencieux avec la brosse métallique. Enlever aussi la saleté de l'orifice d'échappement du cylindre avec la brosse métallique.
- Fixer l'écran pare-étincelles (C) et le conduit d'évacuation (D) avec les vis (E). Serrer les vis au couple de 2 à 3 Nm.
- S'assurer que le silencieux est bien fixé sur le produit. Serrer les vis (A) et (B) au couple de 8 à 12 Nm.



Examen de la grille d'entrée d'air

Une grille d'entrée d'air bouchée réduit la force de soufflage et augmente la température du moteur. La hausse de température risque de provoquer une avarie du moteur.

- Couper le moteur.
- Examiner la grille d'entrée d'air pour détecter d'éventuels dommages et s'assurer qu'elle est correctement fixée.

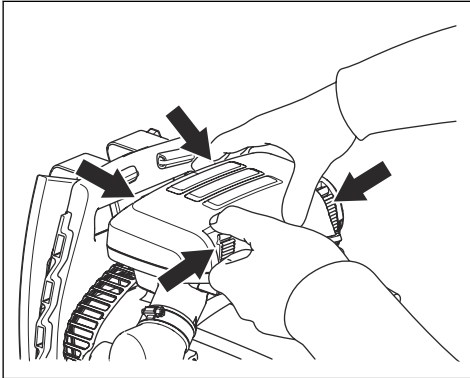


- Retirer la poussière, les feuilles et les matériaux indésirables de la grille d'entrée d'air.

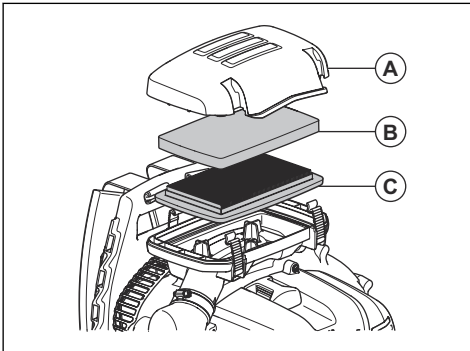
Nettoyage du filtre à air

Éliminer régulièrement la saleté et la poussière du filtre à air. Ceci permet d'éviter un mauvais fonctionnement du carburateur, des problèmes de démarrage, une perte de puissance du moteur, une usure des pièces du moteur et une consommation de carburant plus que d'habitude. Nettoyer le filtre à air à intervalles de 40 heures de fonctionnement ou moins si les conditions sont exceptionnellement poussiéreuses.

- Desserrer les fixations qui maintiennent le couvercle de filtre à air en position.



- Retirer le couvercle du filtre à air (A).



- Déposer le filtre en mousse (B) et le filtre en papier (C) du cadre du filtre.
- Remplacer le filtre en papier (C).
- Nettoyer le filtre en mousse (B) à l'eau savonneuse chaude.

Remarque : Un filtre à air utilisé pendant une longue période ne peut être complètement nettoyé. Remplacer régulièrement le filtre à air et toujours remplacer un filtre à air défectueux.

- S'assurer que le filtre en mousse (B) est sec.
- Nettoyer la surface intérieure du couvercle du filtre à air avec une brosse (A).

Remplacement du harnais



AVERTISSEMENT : Un harnais endommagé peut engendrer une chute du produit et celui-ci causer des blessures.

- Couper le moteur.
- Retirer la boucle de la sangle.
- Appuyez sur l'extrémité de la sangle à travers la bride.
- Tirer la nouvelle courroie à travers la bride.
- Fixer la boucle en place sur la nouvelle sangle.

Transport et entreposage

Transport et entreposage

- Pour le stockage et le transport du produit et du carburant, s'assurer qu'il n'y a pas de fuite ou de vapeur. Les étincelles ou les flammes nues, par exemple avec des appareils électriques ou des chaudières, peuvent déclencher un incendie.
- Utiliser toujours des contenants agréés pour entreposer ou transporter le carburant.
- Vider le réservoir de carburant avant tout transport ou remisage pendant une période prolongée. Appuyez sur la poire d'amorçage d'air pour s'assurer que tout le carburant est retiré. Mettre au rebut le carburant à un emplacement adéquat.
- Avant d'entreposer le produit à long terme, s'assurer qu'il est bien nettoyé et en effectuer l'entretien complet.

- Retirer la bougie d'allumage et verser environ 15 ml d'huile deux-temps dans le cylindre. Faire tourner 3 fois le moteur à vide et remettre la bougie en place.
- Fixer le produit de façon sécuritaire pendant le transport.

Données techniques

Données techniques

	580BTS Mark II	580BFS Mark II
Moteur		
Cylindrée, cm ³	75,6	75,6
Régime de ralenti, tr/min	2000	2000
Silencieux du pot catalytique	Non	Non
Système d'allumage à régime régulé	Oui	Oui
Système d'allumage⁷		
Bougie d'allumage	NGK CMR7H	NGK CMR7H
Écartement des électrodes, mm / po	0,6-0,7 / 0,024-0,028	0,6-0,7 / 0,024-0,028
Circuits d'alimentation et de lubrification		
Capacité du réservoir de carburant, L / pte US	2,6 / 5,5	2,6 / 5,5
Poids		
Poids, kg/lb	11,9 / 26,2	12,1 / 26,7
Niveaux sonores⁸		
Niveau de pression sonore équivalent à l'oreille de l'utilisateur mesuré selon la norme ISO 22868:2011, dB(A)	104	104
Niveaux de vibrations⁹		
Niveaux de vibrations équivalents ($a_{hv,eq}$) au niveau des poignées, mesurés selon la norme ISO 22867:2011, en m/s ²	2,2	3,1
Rendement du ventilateur		
Vitesse maximale de l'air avec buse standard, m/h / m/s	206/92	206/92
Débit d'air avec buse standard, pi ³ /min / m ³ /min	941/27	941/27

⁷ Le système d'allumage par étincelles est conforme à la norme ICES-002 du Canada.

⁸ Le niveau de pression sonore équivalent est calculé lors d'un cycle de travail d'une durée de 1/7 au ralenti et de 6/7 à plein régime. Les données signalées pour le niveau de pression sonore équivalent présentent une dispersion statistique type (écart type) de 1 dB(A).

⁹ Le niveau de vibration équivalent est calculé lors d'un cycle de travail d'une durée de 1/7 au ralenti et de 6/7 à plein régime. Les données signalées pour le niveau de vibration équivalent présentent une dispersion statistique type (écart standard) de 1 m/s².

Garantie

DÉCLARATION DE GARANTIE DU SYSTÈME DE CONTRÔLE DES ÉMISSIONS PAR ÉVAPORATION DU GOUVERNEMENT FÉDÉRAL AMÉRICAIN, DE LA CALIFORNIE ET DU CANADA

Remarque : La présente annexe est destinée principalement aux clients ou aux utilisateurs occasionnels.

IMPORTANT : Le présent produit est conforme à la réglementation de la Phase 3 de l'Environmental Protection Agency (EPA) des États-Unis en ce qui concerne les émissions d'échappement et d'évaporation. Pour assurer la conformité à la Phase 3 de l'EPA, nous recommandons le recours à des pièces de remplacement d'origine Husqvarna uniquement. L'utilisation de pièces de remplacement non conformes est une infraction à la législation fédérale.

VOS DROITS ET OBLIGATIONS EN VERTU DE LA GARANTIE

L'EPA (Environmental Protection Agency, l'agence de protection de l'environnement des États-Unis), le CARB (California Air Resources Board : direction des ressources atmosphériques de Californie), Environnement Canada et Husqvarna Forest & Garden sont heureux de détailler pour vous la garantie du système de contrôle des émissions par évaporation de votre petit moteur hors route 2019-2020. En Californie, l'équipement neuf équipé d'un petit moteur hors-route doit être conçu, fabriqué et équipé de manière à répondre aux strictes normes antipollution de l'État. Husqvarna Forest & Garden doit garantir les systèmes de contrôle antipollution de votre petit moteur hors route pendant les périodes figurant sur la liste ci-dessous à condition que votre petit moteur hors route ou tout autre équipement ne présente aucun signe d'abus, de négligence ou d'entretien inapproprié menant à la défaillance du système de contrôle des émissions. Votre système de contrôle antipollution peut comprendre des pièces telles qu'un carburateur, un système d'injection de carburant, un système d'allumage, un pot catalytique, des réservoirs de carburant, des conduites de carburant (pour le carburant et les vapeurs de carburant), des bouchons de réservoir de carburant, des soupapes, des absorbeurs, des filtres, des pincettes et d'autres composants associés reliés aux émissions. Il peut aussi comprendre des flexibles, de courroies, des raccords et d'autres pièces liées aux émissions. En cas de problème couvert par la garantie, Husqvarna Forest & Garden répare votre petit moteur hors route sans frais, diagnostic, pièces et main-d'œuvre compris.

COUVERTURE DE LA GARANTIE DU FABRICANT

Le système de contrôle des émissions par évaporation pour petit moteur hors route est garanti deux ans. Si une pièce de votre petit moteur hors route liée aux émissions est défectueuse, elle doit alors être réparée ou remplacée par Husqvarna Forest & Garden.

RESPONSABILITÉS DU PROPRIÉTAIRE EN VERTU DE LA GARANTIE

- En tant que propriétaire d'un petit moteur hors route, vous êtes responsable de respecter l'entretien obligatoire indiqué dans le manuel de l'utilisateur. Husqvarna Forest & Garden recommande de conserver tous les reçus relatifs à l'entretien de votre petit moteur hors route, mais Husqvarna Forest & Garden ne peut pas refuser l'application de la garantie pour la seule raison de l'absence de reçu ou du non respect de l'entretien obligatoire prévu.
- En tant que propriétaire d'un petit moteur hors route, vous devez savoir que Husqvarna Forest & Garden peut vous refuser la couverture de la garantie si votre petit moteur hors route ou une pièce est défaillant en raison d'un abus, de négligence, d'un entretien inapproprié ou de modifications non approuvées.
- Vous avez la responsabilité de présenter votre petit moteur hors route au service technique ou au centre de distribution de Husqvarna Forest & Garden dès qu'un problème se manifeste. Les réparations couvertes par la garantie doivent être effectuées dans un délai raisonnable qui n'excède pas 30 jours. Pour toute question relative à vos droits et responsabilités relativement à votre garantie, communiquer avec Husqvarna Forest & Garden au ÉTATS-UNIS au 1-800-487-5951 ou aux CANADA au 1-800-805-5523, ou alors envoyer un courriel à l'adresse emissions@husqvarnagroup.com.

DATE D'ENTRÉE EN VIGUEUR DE LA GARANTIE

La période de garantie commence à la date à laquelle le moteur ou le matériel est livré au dernier acheteur.

DURÉE DE LA COUVERTURE

Husqvarna Forest & Garden garantit au dernier acheteur et à chacun des propriétaires suivants que le petit moteur ou l'équipement hors route a été conçu, construit et équipé dans le respect de toutes les réglementations applicables édictées par l'EPA et le CARB et est exempt de tout défaut matériel ou de fabrication pouvant provoquer la panne d'une pièce garantie pendant une période de deux ans.

ÉLÉMENTS COUVERTS

RÉPARATION OU REMPLACEMENT DES PIÈCES : La réparation ou le remplacement de toute pièce garantie en vertu de la garantie doit être effectué sans frais pour le propriétaire dans un centre de garantie. Les réparations ou l'entretien en vertu de la garantie sont assurés par tous les centres de distribution de

Husqvarna Forest & Garden franchisés pour réparer les moteurs en question. Pendant toute la période de garantie antipollution de deux ans, Husqvarna Forest & Garden doit conserver un stock suffisant de pièces garanties pour satisfaire la demande prévue de telles pièces.

PÉRIODE DE GARANTIE : Toute pièce garantie dont le remplacement est prévu par le calendrier d'entretien obligatoire est garantie pendant l'intégralité de la période de garantie précédant la date du premier remplacement prévu de la pièce. Si la pièce tombe en panne avant son premier remplacement prévu, elle est réparée ou remplacée sans frais par Husqvarna Forest & Garden. Toute pièce ainsi réparée ou remplacée en vertu de la garantie est garantie pendant la période restante avant la date de son premier remplacement prévu. Toute pièce garantie dont le remplacement n'est pas prévu par le calendrier d'entretien obligatoire est garantie pendant deux ans. Si une telle pièce tombe en panne pendant la période de couverture de la garantie, elle est réparée ou remplacée sans frais par Husqvarna Forest & Garden. Toute pièce ainsi réparée ou remplacée en vertu de la garantie est garantie pour la période de garantie restante. Toute pièce garantie dont l'inspection régulière est prévue dans le calendrier d'entretien est garantie pendant deux ans. La présence dans ces instructions écrites d'une éventuelle mention de type « réparer ou remplacer si nécessaire » n'a pas pour effet de réduire la durée de la période de la couverture de la garantie. Toute pièce ainsi réparée ou remplacée en vertu de la garantie est garantie pour la période de garantie restante.

DIAGNOSTIC : Le propriétaire n'a pas à payer pour le diagnostic permettant de conclure que la pièce garantie est défectueuse, à condition qu'un tel diagnostic soit effectué dans un centre de garantie.

DOMMAGES CONSÉCUTIFS : Husqvarna Forest & Garden peut être tenue responsable des dommages aux autres composants du moteur directement causés par la panne garantie d'une pièce garantie.

LISTE DES PIÈCES DE LA GARANTIE ANTIPOLLUTION

1. Carburateur et pièces internes.
2. Conduit de départ, support du filtre à air et boulons du carburateur
3. Filtres à air et à carburant couverts dans la limite du calendrier d'entretien
4. Bougies d'allumage couvertes dans la limite du calendrier d'entretien.
5. Module d'allumage.
6. Réservoir de carburant, conduite de carburant (pour carburant et vapeurs de carburant) et bouchon du réservoir de carburant.

ÉLÉMENTS NON COUVERTS

Toutes les pannes dues à un abus, à de la négligence ou à un entretien inadéquat ne sont pas couvertes.

PIÈCES COMPLÉMENTAIRES OU MODIFIÉES

Aucune pièce complémentaire ou modifiée non affranchie par la CARB ou l'EPA ne peut être utilisée. L'utilisation de pièces complémentaires ou modifiées non affranchies est un motif suffisant pour rejeter une demande d'indemnisation. Husqvarna Forest & Garden n'a pas la responsabilité de garantir les pannes de pièces garanties provoquées par l'utilisation d'une pièce complémentaire ou modifiée non affranchie.

COMMENT PRÉSENTER UNE DEMANDE D'INDEMNISATION

Pour toute question relative à vos droits et responsabilités relativement à la garantie, communiquer avec le centre de services agréé le plus proche, appeler Husqvarna Forest & Garden aux ÉTATS-UNIS au 1-800-487-5951, au CANADA au 1-800-805-5523, ou bien envoyer un courriel à l'adresse emissions@husqvarnagroup.com.

OÙ JOINDRE LE SERVICE DE GARANTIE?

Les services de garantie ou de réparation sont assurés par tous les ateliers d'entretien Husqvarna Forest & Garden agréés.

ENTRETIEN, REMPLACEMENT ET RÉPARATION DES PIÈCES RELATIVES AUX ÉMISSIONS

Toute pièce de remplacement peut être utilisée pour procéder à un entretien ou à une réparation sous garantie et doit être fournie sans frais pour le propriétaire. Un tel remplacement n'a pas pour effet de réduire les obligations du fabricant relativement à la garantie.

ATTESTATION D'ENTRETIEN

Le propriétaire a la responsabilité de respecter l'entretien obligatoire défini dans le manuel de l'utilisateur.

*L'année modèle courante et suivante sera mise à jour annuellement dans la déclaration de garantie fournie au consommateur. Par exemple, 2012-2013 sera spécifié pour l'année modèle 2012.



www.husqvarna.com

Original instructions
Instrucciones originales
Instructions d'origine

1159974-49



2019-02-01