



Husqvarna®



522HS75S

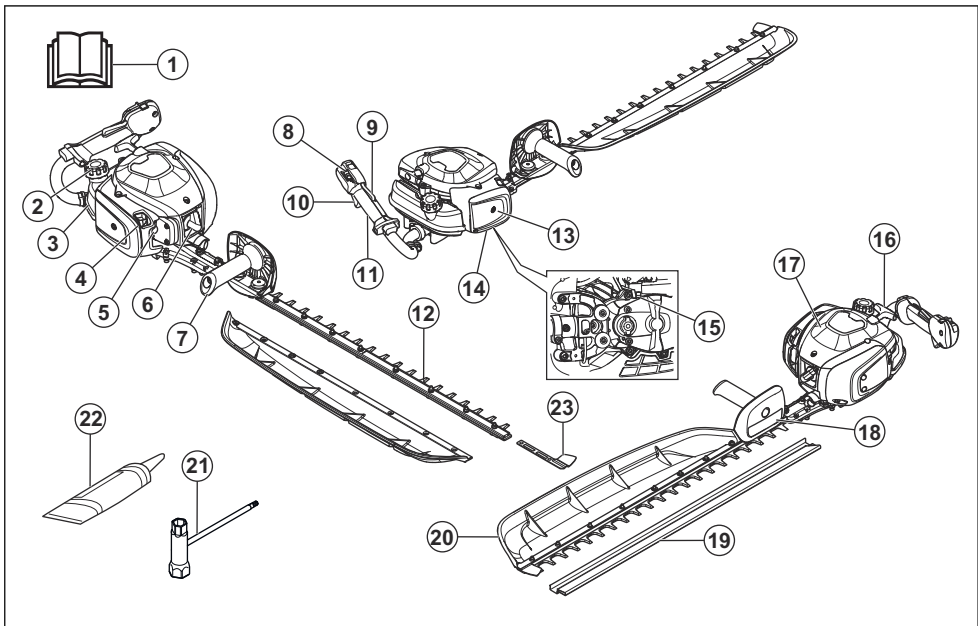
EN	Operator's manual	2-15
ES-MX	Manual del usuario	16-31
FR-CA	Manuel d'utilisation	32-47
PT-BR	Manual do operador	48-62

Contents

Introduction.....	2	Transportation, storage and disposal.....	12
Safety.....	3	Technical data.....	13
Operation.....	7	Warranty.....	14
Maintenance.....	9		

Introduction

Product overview



- | | |
|----------------------------------|--------------------------|
| 1. Operator's manual | 16. Starter rope handle |
| 2. Fuel tank cap | 17. Cylinder cover |
| 3. Fuel tank | 18. Hand guard |
| 4. Choke control | 19. Transport guard |
| 5. Air purge bulb | 20. Leaf catcher |
| 6. Spark plug cap and spark plug | 21. Combination wrench |
| 7. Front handle | 22. Tube of grease |
| 8. Stop switch | 23. Blade tip protection |
| 9. Throttle trigger lockout | |
| 10. Throttle trigger | |
| 11. Rear handle | |
| 12. Blade | |
| 13. Air filter cover | |
| 14. Gear housing | |
| 15. Grease nipple | |

Product description

The product is a hedge trimmer with a combustion engine.

Intended use

Use the product to cut branches and twigs. Do not use the product for other tasks.

Symbols on the product



WARNING! This product is dangerous. Injury or death can occur to the operator or bystanders if the product is not used carefully and correctly. To prevent injury to the operator or bystanders, read and obey all safety instructions in the operator's manual.



Read the operator's manual carefully and make sure that you understand the instructions before use.



Use approved hearing protection and approved eye protection.



Use approved protective gloves.




Use heavy-duty slip-resistant boots.

yyyywwxxxx

The rating plate shows serial number. **yyyy** is the production year and **ww** is the production week.

Note: Other symbols/decals on the product refer to certification requirements for some markets.

California Proposition 65

 **WARNING**

The engine exhaust from this product contains chemicals known to the State of California to cause cancer, birth defects or other reproductive harm.

EPA III

EMISSION CONTROL INFORMATION

 **Husqvarna**
HUSQVARNA AB HUSKVARNA SWEDEN

THIS ENGINE MEETS U.S. EPA AND CALIFORNIA EXH/EVP REGS FOR [REDACTED] SORE. REFER TO OPERATOR'S MANUAL FOR MAINTENANCE SPECIFICATIONS AND ADJUSTMENTS. EMISSIONS COMPLIANCE PERIOD: [REDACTED]

The Emissions Compliance Period referred to on the Emission Compliance label indicates the number of operating hours for which the engine has been shown to meet Federal and California emissions requirements.

Customer assistance

For customer assistance, call: 1-800-487-5951 or visit www.husqvarna.com.

Safety

Safety definitions

Warnings, cautions and notes are used to point out specially important parts of the manual.



WARNING: Used if there is a risk of injury or death for the operator or bystanders if the instructions in the manual are not obeyed.



CAUTION: Used if there is a risk of damage to the product, other materials or the adjacent area if the instructions in the manual are not obeyed.

Note: Used to give more information that is necessary in a given situation.

General safety instructions



WARNING: Read the warning instructions that follow before you use the product.

- Incorrect or careless use of a hedge trimmer can turn it into a dangerous tool that can cause serious or even fatal injury. It is extremely important that you read and understand the contents of this operator's manual.
- This product produces an electromagnetic field during operation. This field may under some circumstances interfere with active or passive medical implants. To reduce the risk of serious or fatal injury, we recommend persons with medical implants to consult their physician and the medical implant manufacturer before operating this product.
- Overexposure to vibration can lead to circulatory damage or nerve damage in people who have impaired circulation. Contact your doctor if you experience symptoms of overexposure to vibration. Such symptoms include numbness, loss of feeling, tingling, pricking, pain, loss of strength, changes in skin color or condition. These symptoms normally appear in the fingers, hands or wrists. The risk increases at low temperatures.
- If you encounter a situation where you are uncertain how to proceed you should ask an expert. Contact your dealer or your service workshop. Avoid all usage which you consider to be beyond your capability.
- Keep in mind that the operator is responsible for accidents or hazards occurring to other people or their property.
- Never allow anyone else to use the product without first ensuring that they have understood the contents of the operator's manual.
- Never allow children to use or be in the vicinity of the product. As the product is equipped with a springloaded stop switch and can be started by low speed and force on the starter handle, even small children under some circumstances can produce the force necessary to start the product. This can mean a risk of serious personal injury. Therefore remove the spark plug cap when the product is not under close supervision.
- Store the product out of reach of children.
- Never use the product if you are tired, if you have drunk alcohol, or if you are taking medication that

could affect your vision, your judgement or your co-ordination.

- Never use a product that is faulty. Carry out the checks, maintenance and service instructions described in this manual. Some maintenance and service measures must be carried out by trained and qualified specialists. Refer to instructions under the heading Maintenance.
- Never use a product that has been modified in any way from its original specification.

Safety instructions for operation



WARNING: Read the warning instructions that follow before you use the product.

- Never use the product in extreme weather conditions such as severe cold, very hot and/or humid climates.
- Faulty blades can increase the risk of accidents.
- Ensure that no-one comes closer than 15 m / 50 ft while you are working.
- Observe your surroundings and make sure that there is no risk of people or animals coming into contact with the cutting equipment.
- Inspect the working area. Remove any objects that could be thrown out.
- Always ensure you have a safe and stable working position.
- Never leave the product unsupervised with the motor running.
- Make sure that your hands and feet do not come near the cutting unit when the engine is running.
- If anything jams in the blades while you are working, switch off the engine and wait until it has stopped completely before cleaning the blades. Disconnect the HT lead from the spark plug. Refer to *To examine the blades on page 12*.
- When the engine is switched off, keep your hands and feet away from the cutting unit until it has stopped completely.
- Watch out for stumps of branches that can be thrown out during cutting.
- Listen out for warning signals or shouts when you are wearing hearing protection. Always remove your hearing protection as soon as the engine stops.
- Never work from a ladder, stool or any other raised position that is not fully secured.
- Always use both hands to hold the product. Hold the product in front of your body.
- If any foreign object is hit or if vibrations occur stop the product immediately. Disconnect the HT lead from the spark plug. Check that the product is not damaged. Repair any damage.
- Ensure that the spark plug cap and ignition lead are undamaged to avoid the risk of electric shock.
- Check that all nuts and screws are tight.

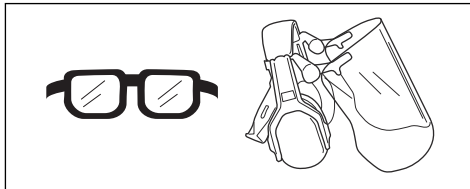
- Make sure the gear housing is lubricated correctly. Refer to *To lubricate the gear housing on page 12*.
- The gear housing gets hot when the product has been in use. To avoid burning yourself do not touch the gear housing.
- All covers and guards must be fitted before starting.
- The transport guard should always be fitted to the cutting unit when the product is not in use.

Personal protective equipment

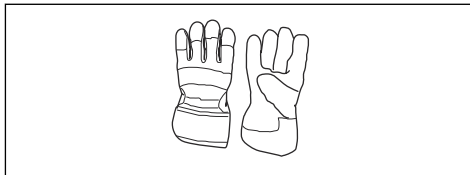


WARNING: Read the warning instructions that follow before you use the product.

- Always use approved personal protective equipment when you use the product. Personal protective equipment cannot fully prevent injury but it decreases the degree of injury if an accident does occur. Let your dealer help you select the right equipment.
- Use approved hearing protection that provides adequate noise reduction. Long-term exposure to noise can result in permanent hearing impairment.
- Use approved eye protection. If you use a visor, you must also use approved protective goggles. Approved protective goggles must comply with the ANSI Z87.1 standard in the USAs or EN 166 in EU countries.



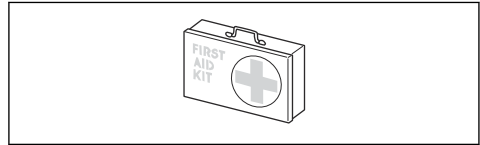
- Use gloves when necessary, for example when you attach, examine or clean the cutting equipment.



- Use sturdy non-slip boots or shoes.



- Use clothing made of a strong fabric. Always use heavy, long pants and long sleeves. Do not use loose clothing that can catch on twigs and branches. Do not wear jewelry, short pants, sandals or go with bare feet. Put your hair up safely above shoulder level.
- Keep first aid equipment close at hand.



Safety devices on the product

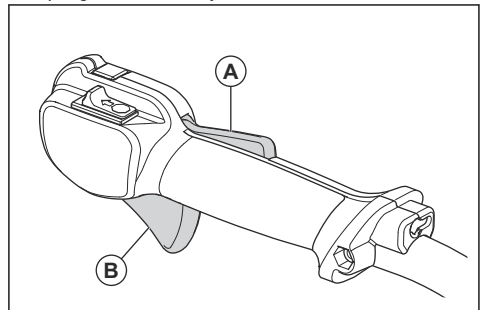


WARNING: Read the warning instructions that follow before you use the product.

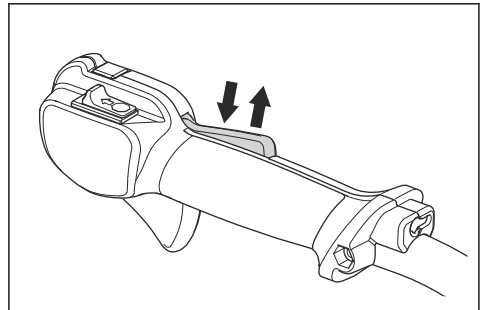
- Do not use a product with defective safety devices.
- Do a check of the safety devices regularly. If the safety devices are defective, speak to your Husqvarna service agent.

To do a check of the throttle trigger lockout

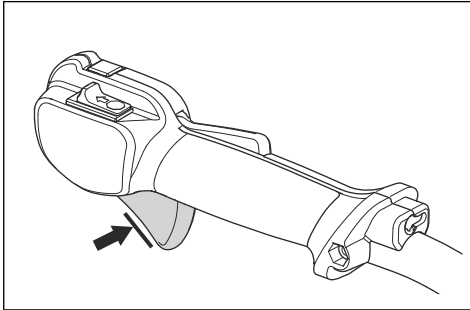
1. Make sure that the throttle trigger lockout (A) and throttle trigger (B) move freely and that the return spring works correctly.



2. Push down the throttle trigger lockout and make sure that it goes back to its initial position when you release it.



3. Make sure that the throttle trigger is locked at the idle position when the throttle trigger lockout is released.



4. Start the product and apply full throttle.
5. Release the throttle trigger and make sure that the blades stop and stay stationary.



WARNING: If the blades move when the throttle trigger is in the idle position, then the carburetor idle speed must be adjusted. Refer to *To adjust the idle speed on page 10*.

To do a check of the stop switch

1. Start the engine.
2. Push the stop switch to the stop position and make sure that the engine stops.



WARNING: The stop switch automatically goes back to start position. To prevent accidental start, remove the spark plug cap from the spark plug when you assemble or do maintenance on the product.

To do a check of the hand guard

The hand guard prevents injuries from the blades.

1. Stop the engine.
2. Make sure that the hand guard is attached correctly.
3. Examine the hand guard for damages.

To do a check of the muffler



WARNING: Do not operate the product without a muffler or a defective muffler. A defective muffler can increase the noise level and the risk of fire. Do not use the product without, or with a broken, spark arrester screen. The spark arrester screen must be replaced if it is damaged.



WARNING: The mufflers become very hot during and after operation, also at idle speed.



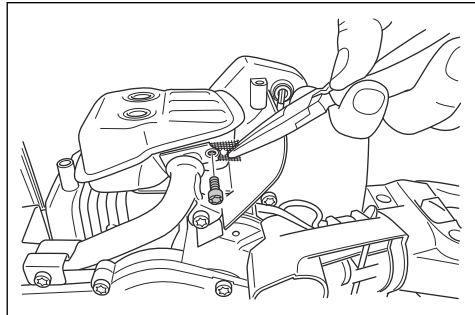
CAUTION: If the spark arrester screen is frequently blocked it can be a sign that performance of the catalytic converter is decreased. Turn to your servicing dealer to examine the muffler. A blocked spark arrester screen will cause overheating and result in damage to the cylinder and piston.



WARNING: The inner surfaces of the muffler contain chemicals that can cause cancer. Be careful not to touch these elements if the muffler is damaged.

The muffler keeps the noise levels to a minimum and points the exhaust fumes away from the operator. A muffler with a catalytic converter decrease harmful exhaust gases.

1. Stop the engine.
2. Do a visual check for damage and deformation.
3. Make sure that the muffler is correctly attached to the product.
4. Clean the spark arrester screen with a wire brush.



To do a check of the blades and blade guard

The outer part of the blades has the function of a blade guard. The blade guard prevents cut injuries.

1. Stop the engine and make sure that the blades stop.
2. Remove the spark plug cap from the spark plug.
3. Put on protective gloves.
4. Make sure that the blade and blade guard is not damaged or bent. Always replace a damaged or bent blade, or a damaged blade guard.
5. Make sure that the screws to the blades and blade guard are tight.

Fuel safety



WARNING: Read the warning instructions that follow before you use the product.

- Do not start the product if there is fuel or engine oil on the product. Remove the unwanted fuel/oil and let the product dry.
- If you spill fuel on your clothing, change clothing immediately.
- Do not get fuel on your body, it can cause injury. If you get fuel on your body, use soap and water to remove the fuel.
- Do not start the product if the engine has a leak. Examine the engine for leaks regularly.
- Be careful with fuel. Fuel is flammable and the fumes are explosive and can cause injuries or death.
- Do not breathe in the fuel fumes, it can cause injury. Make sure that there is a sufficient airflow.
- Do not smoke near the fuel or the engine.
- Do not put warm objects near the fuel or the engine.
- Do not add the fuel when the engine is on.
- Make sure that the engine is cool before you refuel.
- Before you refuel, open the fuel tank cap slowly and release the pressure carefully.
- Do not add fuel to the engine in an indoor area. Not sufficient airflow can cause injury or death because of asphyxiation or carbon monoxide.
- Tighten the fuel tank cap fully. If the fuel tank cap is not tightened, there is a risk of fire.
- Move the product a minimum of 3 m / 10 ft from the position where you filled the tank before a start.
- Do not fill the fuel tank fully. Heat causes the fuel to expand. Keep a space at the top of the fuel tank.
- Stop the engine and make sure that the cutting equipment stops. Let the product become cool before you do the maintenance.
- Disconnect the spark plug cap before you do the maintenance.
- The exhaust fumes from the engine contain carbon monoxide, an odourless, poisonous and very dangerous gas that can cause death. Do not run the product indoors or in closed spaces.
- The exhaust fumes from the engine are hot and can contain sparks. Do not run the product indoors or near flammable material.
- Accessories and changes to the product that are not approved by the manufacturer, can cause serious injury or death. Do not change the product. Always use original accessories.
- If the maintenance is not done correctly and regularly, there is an increased risk of injury and damage to the product.
- Only do the maintenance as this operator's manual recommends. Let an approved Husqvarna service agent do all other servicing.
- Let an approved Husqvarna service agent do servicing on the product regularly.
- Replace damaged, worn or broken parts.

Safety instructions for maintenance



WARNING: Read the warning instructions that follow before you use the product.

Operation

Introduction



WARNING: Read and understand the safety chapter before you use the product.

Fuel

This product has a two-stroke engine.



CAUTION: Incorrect type of fuel can result in engine damage. Use a mixture of gasoline and two-stroke oil.

Premixed fuel

- Use Husqvarna premixed alkylate fuel of a good quality, for best performance and extension of the engine life. This fuel contains less harmful chemicals compared to regular fuel, which decreases harmful

exhaust fumes. The quantity of remains after combustion is lower with this fuel, which keeps the components of the engine more clean.

To mix fuel

Gasoline

- Use good quality unleaded gasoline with a maximum of 10% ethanol contents.



CAUTION: Do not use gasoline with an octane grade less than 90 RON/87 AKI. Use of a lower octane grade can cause engine knocking, which causes engine damages.

- We recommend that you use gasoline of a higher octane grade for work with continuously high rpm.

Two-stroke oil

- For best results and performance use Husqvarna two-stroke oil.
- If Husqvarna two-stroke oil is not available, use a two-stroke oil of good quality for air-cooled engines. Speak to your servicing dealer to select the correct oil.



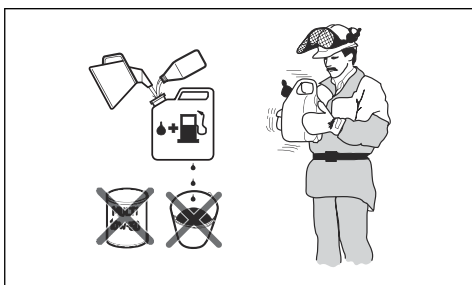
CAUTION: Do not use two-stroke oil for water-cooled outboard engines, also referred to as outboard oil. Do not use oil for four-stroke engines.

To mix gasoline and two-stroke oil

Gasoline, liter	Two-stroke oil, liter
	2% (50:1)
5	0.10
10	0.20
15	0.30
20	0.40
US gallon	US fl. oz.
1	2 ½
2 1/2	6 ½
5	12 ½



CAUTION: Small errors can influence the ratio of the mixture drastically when you mix small quantities of fuel. Measure the quantity of oil carefully and make sure that you get the correct mixture.



1. Fill half the quantity of gasoline in a clean container for fuel.
2. Add the full quantity of oil.
3. Shake the fuel mixture.
4. Add the remaining quantity of gasoline to the container.

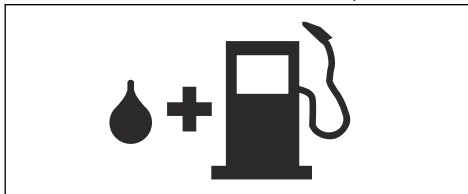
5. Carefully shake the fuel mixture.



CAUTION: Do not mix fuel for more than 1 month at a time.

To fill the fuel tank

1. Clean the area around the fuel tank cap.



2. Shake the container and make sure that the fuel is fully mixed.
3. Tighten the fuel tank cap carefully.
4. Move the product 3 m/10 ft or more away from the refueling area and fuel source before starting.

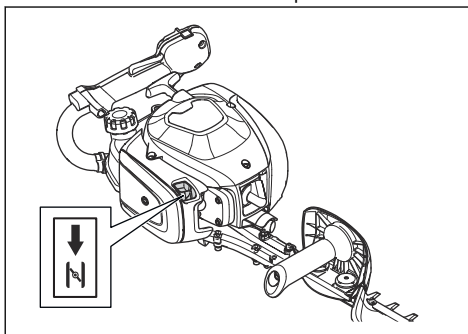
Note: To see where the fuel tank is on your product, refer to *Product overview on page 2*.

To install the leaf catcher and the blade tip protection

1. Remove the outer 8 nuts from the bolts on the blade.
2. Put the leaf catcher on the 8 bolts. Refer to *Product overview on page 2*, to see where the leaf catcher is on the product.
3. Put the blade tip protection on the 2 bolts on the tip of the blade.
4. Install the 8 nuts to the bolts.
5. Torque the nuts to 7 Nm.

To start the product with a cold engine

1. Pull the choke control to choke position.



2. Push the air purge bulb approximately 6 times or until the bulb starts to fill with fuel. It is not necessary to fill the air purge bulb fully.
3. Hold the body of the product on the ground with your left hand. Do not step on the product.
4. Pull the starter rope handle slowly with your right hand until you feel some resistance, then pull the starter rope handle quickly and with force.



WARNING: Do not wind the starter rope around your hand.



CAUTION: Do not pull the starter rope to full extension and do not let go of the starter rope handle.

5. Continue to pull the starter rope handle until the engine fires, then push the choke control to its initial position.



WARNING: The blades move when the engine starts.

6. Continue to pull the starter rope handle until the engine starts.
7. Push and release the throttle trigger to set the engine to idle speed.
8. Push the throttle trigger gradually to increase the engine speed.
9. Make sure that the engine runs smoothly.

To start the product with a warm engine

1. Hold the body of the product on the ground with your left hand. Do not step on the product.
2. Pull the starter rope handle slowly with your right hand until you feel some resistance, then pull the starter rope handle quickly and with force. Continue until the engine starts.

Note: For more information about how to start the product, refer to *To start the product with a cold engine on page 8.*

To stop the product

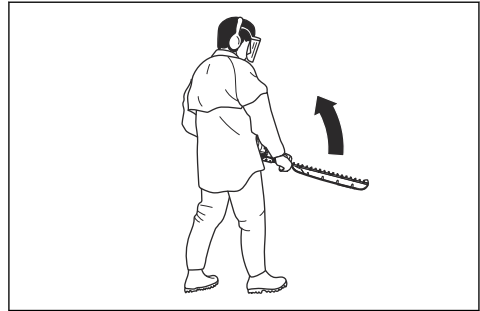
- Move the stop switch to the stop position to stop the engine.



CAUTION: The stop switch automatically goes back to run position.

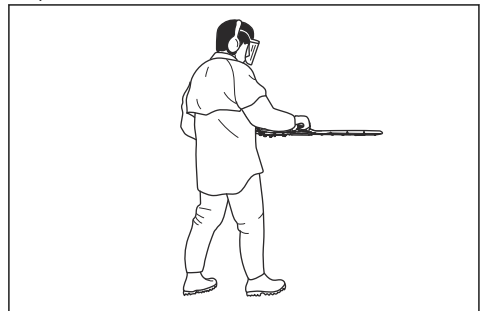
To operate the product

1. Start near the ground and move the product up along the hedge when you cut the sides. Make sure that the body of the product does not touch the hedge.



WARNING: Make sure that the front of the cutting equipment does not touch the ground.

2. Adjust the speed to align with the work load.
3. Hold the product near your body for a stable work position.



4. Be careful and operate the product slowly.

Maintenance

Introduction



WARNING: Read and understand the safety chapter before you do maintenance on the product.

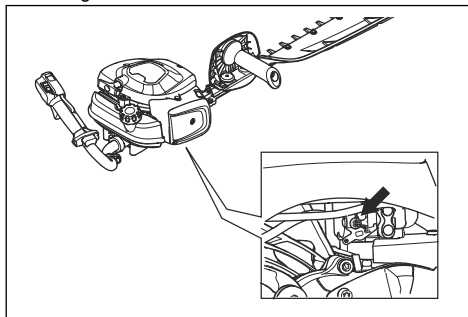
Maintenance schedule

Maintenance	Before operation	After 40 h	After 100 h
Clean the external surface.		After each operation.	
Clean the muffler, exhaust pipe and engine from leaves, dirt and unwanted lubricant.		After each operation.	
Make sure that the cutting attachment does not move at idle speed.	X		
Do a check of the stop switch, refer to <i>To do a check of the stop switch on page 6.</i>	X		
Examine the cutting attachment and the cutting attachment guard for damages and cracks. Replace if it is damaged.	X		
Examine the hand guard for damages and cracks. Replace if it is damaged.	X		
Do a check of the throttle trigger lockout and the throttle trigger, refer to <i>To do a check of the throttle trigger lockout on page 5.</i>	X		
Examine the engine, the fuel tank and the fuel lines for leaks.	X		
Tighten nuts and screws.	X		
Examine the fuel filter for contamination and the fuel hose for cracks and other defects. Replace if necessary.	X		
Examine the starter and the starter rope for damages.		X	
Clean the air filter. Replace if it is necessary.		X	
Examine the spark plug, refer to <i>To examine the spark plug on page 11.</i>		X	
Clean the cooling system.		X	
Clean the external surface of the carburetor and the area around it.		X	
Clean or replace the spark arrester mesh.			X
Clean the inner surface of the fuel tank.			X
Examine the spark plug.			X
Make sure that the gear housing is filled with grease.			X

To adjust the idle speed

1. Clean the air filter and attach the air filter cover.
2. Start the product, refer to *To start the product with a cold engine on page 8.*

3. Turn the idle adjustment screw T clockwise until the cutting attachment starts to move.



- Turn the idle adjustment screw counterclockwise until the cutting attachment stops.



WARNING: If the cutting attachment does not stop when you adjust the idle speed, speak to your nearest servicing dealer. Do not use the product until it is correctly adjusted or repaired.

Note: The idle speed is correct when the engine operates smoothly in all positions. Refer to *Technical data on page 13* for the recommended idle speed.

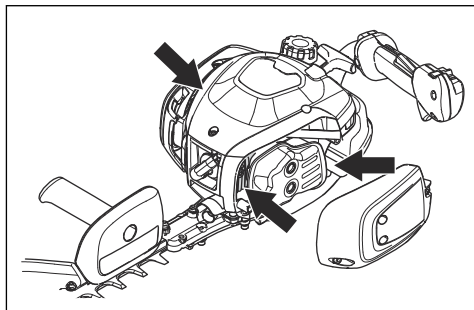
To clean the cooling system

The cooling system keeps the engine temperature down. The cooling system includes the cooling fins on the cylinder and the starter housing.



CAUTION: The air intake between the fuel tank and crankcase is easily blocked by leaves. Clean the air intake fully.

- Clean the cooling system with a brush weekly or more frequently if it is necessary.
- Make sure that the cooling system is not dirty or blocked.



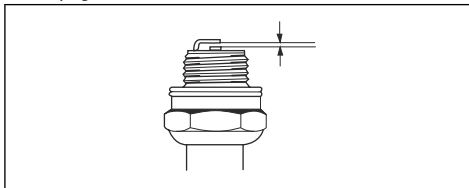
To examine the spark plug



CAUTION: Always use the recommended spark plug type. Incorrect spark plug type can cause damage to the product.

- Examine the spark plug if the engine is low on power, is not easy to start or does not operate correctly at idle speed.
- To decrease the risk of unwanted material on the spark plug electrodes, obey these instructions:
 - Make sure that the idle speed is correctly adjusted.
 - Make sure that the fuel mixture is correct.
 - Make sure that the air filter is clean.

- If the spark plug is dirty, clean it and make sure that the electrode gap is correct, refer to *Technical data on page 13*.

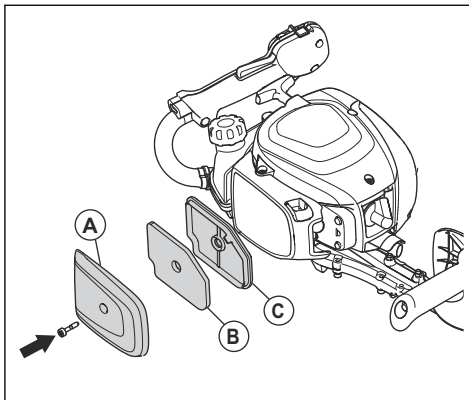


- Replace the spark plug if it is necessary.

To clean the air filter

Clean the air filter regularly from dirt and dust. This prevents carburetor malfunctions, starting problems, loss of engine power, wear to engine parts and more fuel consumption than usual.

- Remove the air filter cover (A).
- Remove the foam filter (B) and the felt filter (C) from the filter frame.



- Replace the felt filter (C).
- Clean the foam filter (B) with warm soap water.

Note: An air filter that is used for a long time can not be fully cleaned. Replace the air filter regularly and always replace a defective air filter.

- Make sure that the foam filter (B) is dry.
- Apply air filter oil to the foam filter (B). Refer to *To apply oil to the air filter on page 11*
- Clean the inner surface of the air filter cover (A). Use compressed air or a brush.

To apply oil to the air filter

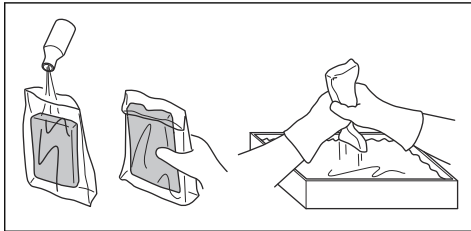


CAUTION: Always use Husqvarna special air-filter oil. Do not use other types of oil.



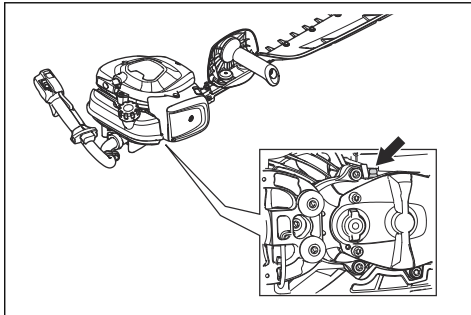
WARNING: Put on protective gloves. The air-filter oil can cause skin irritation.

1. Put the air filter in a plastic bag.
2. Put the oil in the plastic bag.
3. Rub the plastic bag to supply the oil equally across the air filter.
4. Push the unwanted oil out of the air filter while in the plastic bag.



To lubricate the gear housing

- Use Husqvarna special grease. Speak to your servicing dealer for more information about recommended grease.
- Add the grease through the grease nipple.



CAUTION: Do not fill the gear housing fully.

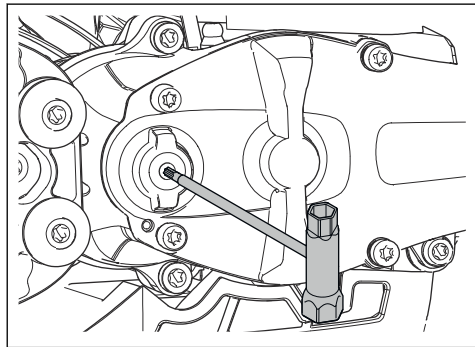
To clean and lubricate the blades

1. Clean the blades from unwanted materials before and after you use the product.
2. Lubricate the blades before long periods of storage.

Note: Speak to your servicing dealer for more information about recommended cleaning agents and lubricants.

To examine the blades

1. Remove the cap on the gear housing.
2. Make sure that the blades move freely. Put the combination wrench in the gear housing and turn clockwise and counterclockwise.



3. Examine the edges of the blades for damages and deformation.
4. Use a file to remove burrs on the blades.
5. Attach the cap on the gear housing.

Transportation, storage and disposal

Transportation and storage

- Always allow the product to cool down before storage.
- For storage and transportation of the product and fuel, make sure that there are no leaks or fumes. Sparks or open flames, for example from electrical devices or boilers, can start a fire.
- Always use approved containers for storage and transportation of fuel.
- Empty the fuel before transportation or before long-term storage. Discard the fuel at an applicable disposal location.
- Attach the transport guard during transportation and storage.
- Remove the spark plug cap from the spark plug.
- Attach the product during transportation. Make sure that it cannot move.
- Clean and do servicing on the product before long-term storage.

Technical data

Technical data

	522HS75S
Engine	
Cylinder displacement, cu.in/cm ³	1.32/21.7
Idle speed, rpm	3000
Recommended max speed, rpm	9200
Maximum engine power acc. to ISO 8893, kW/hp @ rpm	0.6/0.8 @ 7800
Catalytic converter muffler	Yes
Ignition system	
Spark plug	NGK CMR6A
Electrode gap, inch/mm	0.02/0.5
Fuel	
Fuel tank capacity, US Pint/l	0.95/0.45
Weight	
Without fuel, lb/kg	11.2/5.1
Blades	
Type	Single sided
Length, inch/mm	29.5/750
Blade speed, cuts/min	4400

Warranty

U.S FEDERAL, CALIFORNIA AND CANADA EXHAUST AND EVAPORATIVE EMISSIONS CONTROL WARRANTY STATEMENT

Note: This Annex is intended primarily for the consumer or occasional user.

IMPORTANT: This product is compliant with U.S. EPA Phase 3 regulations for exhaust and evaporative emissions. To ensure EPA Phase 3 compliance, we recommend using only genuine Husqvarna brand replacement parts. Use of non-compliant replacement parts is a violation of federal law.

YOUR WARRANTY RIGHTS AND OBLIGATIONS

The EPA (U.S. Environmental Protection Agency), CARB (California Air Resources Board), Environment Canada and Husqvarna Forest & Garden are pleased to explain the exhaust and evaporative emissions control system's warranty on your 2019-2020* small off-road engine. In California, new equipment that use small off-road engines must be designed, built, and equipped to meet State's stringent anti-smog standards. Husqvarna Forest & Garden must warrant the emissions control system on your small off-road engine for the periods of time listed below provided there has been no abuse, neglect or improper maintenance of your small off-road engine or equipment leading to the failure of the emissions control system. Your emission control system may include parts such as the carburetor or fuel-injection system, the ignition system, catalytic convertor, fuel tanks, fuel lines (for liquid fuel and fuel vapors), fuel caps, valves, canisters, filters, clamps and other associated components. Also included may be hoses, belts, connectors, and other emission-related assemblies. Where a warrantable condition exists, Husqvarna Forest & Garden will repair your small off-road engine at no cost to you including diagnosis, parts and labor.

MANUFACTURER'S WARRANTY COVERAGE

The exhaust and evaporative emissions control system on your small off-road engine is warranted for two years. If any emissions-related part on your small off-road engine is defective, the part will be repaired or replaced by Husqvarna Forest & Garden.

OWNER'S WARRANTY RESPONSIBILITIES

- As the small off-road engine owner, you are responsible for performance of the required maintenance listed in your operator's manual. Husqvarna Forest & Garden recommends that you retain all receipts covering maintenance on your small off-road engine, but Husqvarna Forest & Garden cannot deny warranty solely for the lack of

receipts or your failure to ensure the performance of all scheduled maintenance.

- As the small off-road engine owner, you should however be aware that Husqvarna Forest & Garden may deny you warranty coverage if your small off-road engine or a part has failed due to abuse, neglect, or improper maintenance or unapproved modifications.
- You are responsible for presenting your small off-road engine to a Husqvarna Forest & Garden distribution center or service center as soon as the problem exists. The warranty repairs shall be completed in a reasonable amount of time, not to exceed 30 days. If you have any questions regarding your warranty rights and responsibilities, you should contact Husqvarna Forest & Garden in USA at 1-800-487-5951, in CANADA at 1-800-805-5523 or send e-mail correspondence to emissions@husqvarnagroup.com.

WARRANTY COMMENCEMENT DATE

The warranty period begins on the date the engine or equipment is delivered to an ultimate purchaser.

LENGTH OF COVERAGE

Husqvarna Forest & Garden warrants to the ultimate purchaser and each subsequent owner that the engine or equipment is designed, built, and equipped so as to conform with all applicable regulations adopted by EPA and CARB, and is free from defects in materials and workmanship that causes the failure of a warranted part for a period of two years.

WHAT IS COVERED

REPAIR OR REPLACEMENT OF PARTS: Repair or replacement of any warranted part under the warranty must be performed at no charge to the owner at a warranty station. Warranty services or repairs will be provided at all Husqvarna Forest & Garden distribution centers that are franchised to service the subject engines. Throughout the emissions warranty period of two years, Husqvarna Forest & Garden must maintain a supply of warranted parts sufficient to meet the expected demand for such parts.

WARRANTY PERIOD: Any warranted part that is scheduled for replacement as required in the maintenance schedule, is warranted for the period of time prior to the first scheduled replacement point for that part. If the part fails prior to the first scheduled replacement, the part will be repaired or replaced by Husqvarna Forest & Garden at no cost. Any such part repaired or replaced under warranty is warranted for the remainder of the period prior to the first scheduled replacement point for the part. Any warranted part that is not scheduled for replacement as required in the maintenance schedule, is warranted for two years. If any such part fails during the period of warranty coverage, it will be repaired and replaced by Husqvarna Forest &

Garden at no cost. Any such part repaired or replaced under the warranty is warranted for the remaining warranty period. Any warranted part that is scheduled only for regular inspection in the maintenance schedule will be warranted for a period of two years. A statement in such written instructions to the effect of "repair or replace as necessary" will not reduce the period of warranty coverage. Any such part repaired or replaced under warranty will be warranted for the remaining warranty period.

DIAGNOSIS: The owner must not be charged for diagnostic labor that leads to the determination that a warranted part is in fact defective, provided that such diagnostic work is performed at a warranty station.

CONSEQUENTIAL DAMAGES: Husqvarna Forest & Garden is liable for damages to other engine components proximately caused by a failure under warranty of any warranted part.

EMISSION WARRANTY PARTS LIST

1. Carburetor and internal parts.
2. Intake pipe, airfilter holder and carburetor bolts.
3. Airfilter and fuelfilter covered up to maintenance schedule.
4. Spark Plug, covered up to maintenance schedule.
5. Ignition Module.
6. Fuel tank, fuel line (for liquid fuel and vapor hoses), and fuel cap.

WHAT IS NOT COVERED

All failures caused by abuse, neglect or improper maintenance are not covered.

ADD -ON OR MODIFIED PARTS: Add-on or modified parts that are not exempted by CARB or EPA may not be used. The use of any non-exempted add-on or modified parts will be grounds for disallowing a warranty claim. Husqvarna Forest & Garden will not be liable to warrant failures of warranted parts caused by the use of a non-exempted add-on or modified part.

HOW TO FILE A CLAIM

If you have any questions regarding your warranty rights and responsibilities, you should contact your nearest authorized servicing dealer or call Husqvarna Forest & Garden in USA at 1-800-487-5951, in CANADA at 1-800-805-5523 or send e-mail correspondence to emissions@husqvarnagroup.com.

WHERE TO GET WARRANTY SERVICE

Warranty services or repairs are provided through all Husqvarna Forest & Garden authorized servicing dealers.

MAINTENANCE, REPLACEMENT AND REPAIR OF EMISSION-RELATED PARTS

Any replacement part may be used in the performance of any warranty maintenance or repairs and must be provided without charge to the owner. Such use will not reduce the warranty obligations of the manufacturer.

MAINTENANCE STATEMENT

The owner is responsible for the performance of all required maintenance, as defined in the operator's manual.

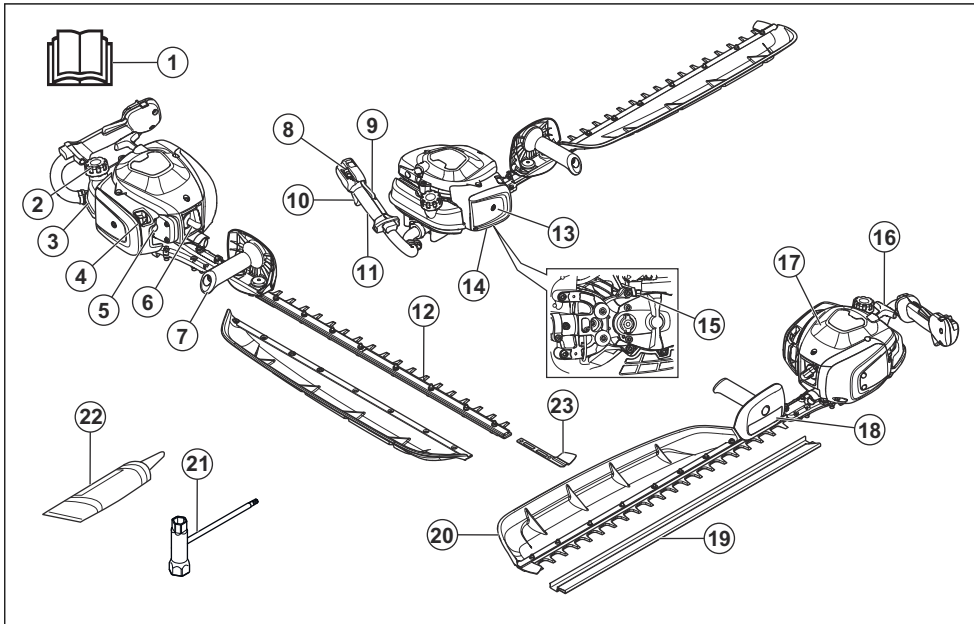
*Current and following model year will be updated annually in the warranty statement provided to the consumer. For example, in 2012 model year, 2012-2013 will be specified.

Contenido

Introducción.....	16	Transporte, almacenamiento y eliminación de residuos.....	28
Seguridad.....	17	Datos técnicos.....	28
Funcionamiento.....	22	Garantía.....	30
Mantenimiento.....	24		

Introducción

Descripción general de la máquina



1. Manual del usuario
2. Tapa del depósito de combustible
3. Depósito de combustible
4. Estrangulador
5. Bulbo de la purga de aire
6. Sombrero de bujía y bujía
7. Mango delantero
8. Interruptor de detención
9. Bloqueo del acelerador
10. Gatillo del acelerador
11. Mango trasero
12. Hoja
13. Cubierta del filtro de aire
14. Caja de engranajes
15. Boquilla de engrase
16. Empuñadura de la cuerda de arranque
17. Cubierta del cilindro
18. Protección para la mano
19. Protección para transporte
20. Recolector de hojas
21. Llave combinada
22. Tubo de grasa
23. Protección de la punta de la hoja

Descripción de la máquina

El producto es un cortasetos con un motor de combustión.

Uso específico

Utilice el producto para cortar ramas grandes y pequeñas. No utilice el producto para otras tareas.

Símbolos en la máquina



ADVERTENCIA: Este producto es peligroso. El operador o las personas que se encuentran cerca pueden sufrir lesiones o la muerte si el producto no se utiliza con cuidado y correctamente. Para evitar daños graves al operador o a las personas que se encuentran cerca, lea y siga todas las instrucciones de seguridad del manual de usuario.



Lea atentamente el manual de instrucciones y asegúrese de que entiende las instrucciones antes de usar el producto.



Utilice protectores auriculares y oculares aprobados.



Use guantes protectores homologados.




Use botas antideslizantes de servicio pesado.

yyyywwxxxx

La placa de características muestra el número de serie. **yyyy** es el año de producción y **ww** es la semana de producción.

Tenga en cuenta: Otros símbolos o etiquetas en la máquina hacen referencia a requisitos de certificación para algunos mercados.


Propuesta 65 de California

**¡ADVERTENCIA!**

Los gases de escape del motor de este producto contienen sustancias químicas conocidas en el Estado de California como causantes de cáncer, defectos congénitos y otros daños reproductivos.

EPA III

EMISSION CONTROL INFORMATION

 **Husqvarna**
HUSQVARNA AB HUSQVARNA SWEDEN

THIS ENGINE MEETS U.S. EPA AND CALIFORNIA EXH/EVP REGS FOR [REDACTED] SORE. REFER TO OPERATOR'S MANUAL FOR MAINTENANCE SPECIFICATIONS AND ADJUSTMENTS. EMISSIONS COMPLIANCE PERIOD: [REDACTED]

El Período de cumplimiento de emisiones al que se hace referencia en la etiqueta de Cumplimiento de emisiones indica la cantidad de horas de funcionamiento en la que se ha demostrado que el motor cumple los requisitos de emisiones federales y de California.

Asistencia al cliente

Para comunicarse con asistencia al cliente, llame al: 1-800-487-5951 o visite www.husqvarna.com.

Seguridad

Definiciones de seguridad

Las advertencias, precauciones y notas se utilizan para señalar las piezas particularmente importantes del manual.



ADVERTENCIA: Se utilizan para señalar el riesgo de lesiones graves o mortales para el operador o para aquellos que se encuentren

cerca si no se siguen las instrucciones del manual.



AVISO: Se utilizan para señalar el riesgo de dañar la máquina, otros materiales o el área adyacente si no se siguen las instrucciones del manual.

Tenga en cuenta: Se utilizan para entregar más información necesaria en situaciones particulares.

Instrucciones generales de seguridad



ADVERTENCIA: Lea atentamente las instrucciones de advertencia siguientes antes de usar el producto.

- El uso incorrecto o descuidado de un cortasetos puede convertirlo en una herramienta peligrosa que puede causar lesiones graves o incluso daños mortales. Es muy importante que lea y comprenda el contenido de este manual de usuario.
- En este producto se genera un campo electromagnético durante su funcionamiento. Este campo puede, en determinadas circunstancias, interferir con implantes médicos activos o pasivos. Para reducir el riesgo de lesiones graves o fatales, recomendamos a las personas con implantes médicos consultar a su médico y al fabricante del implante médico antes de usar esta máquina.
- La sobreexposición a las vibraciones puede producir trastornos vasculares o nerviosos en personas que padecen de trastornos circulatorios. Póngase en contacto con su médico si experimenta síntomas de la sobreexposición a las vibraciones. Estos síntomas son entumecimiento, pérdida de sensibilidad, hormigueo, ardor, dolor, pérdida de fuerza, cambios en el color o el estado de la piel. Normalmente, estos síntomas se presentan en los dedos, manos o muñecas. El riesgo aumenta a bajas temperaturas.
- Si se encuentra en una situación en la que no está seguro de cómo proceder, debe preguntarle a un experto. Póngase en contacto con el distribuidor o el taller de servicio. Evite todos los usos que considere que están más allá de su capacidad.
- Tenga en cuenta que el operador es responsable de los accidentes o los peligros que ocurren a otras personas o sus propiedades.
- Nunca permita que otras personas utilicen el producto sin asegurarse primero de que hayan comprendido el contenido del manual del usuario.
- Nunca permita que los niños utilicen el producto o que estén cerca de este. Debido a que el producto está equipado con un interruptor de detención que se acciona por resorte y se puede arrancar con baja velocidad y fuerza desde la empuñadura de arranque, incluso los niños pequeños pueden, en determinadas circunstancias, lograr la fuerza necesaria para arrancar el producto. Esto puede

significar riesgo de daños personales graves. Por consiguiente, saque el sombrero de bujía cuando no se supervise el producto atentamente.

- Almacene el producto fuera del alcance de los niños.
- No utilice el producto si está cansado, si ha ingerido alcohol o si toma medicamentos que puedan afectarle la vista, su capacidad de discernimiento o la coordinación.
- Nunca utilice un producto que esté defectuoso. Realice las comprobaciones de seguridad, el mantenimiento y las instrucciones de servicio descritas en este manual. Especialistas capacitados y calificados deben llevar a cabo algunas medidas de mantenimiento y servicio. Consulte las instrucciones en el capítulo Mantenimiento.
- Nunca utilice un producto que se haya modificado de cualquier modo con respecto a la especificación original.

Instrucciones de seguridad para el funcionamiento



ADVERTENCIA: Lea atentamente las instrucciones de advertencia siguientes antes de usar el producto.

- No utilice el producto en condiciones climáticas extremas como frío intenso o climas muy calurosos o húmedos.
- Las cuchillas defectuosas pueden aumentar el riesgo de accidentes.
- Asegúrese de que nadie se acerque a menos de 15 m/50 pies mientras trabaja.
- Preste atención a su entorno y asegúrese de que no haya riesgo de que ninguna persona o animal entre en contacto con el equipo de corte.
- Inspeccione la zona de trabajo. Retire todos los objetos que puedan salir eyectados.
- Asegúrese siempre de tener una posición de trabajo segura y firme.
- Nunca deje el producto sin supervisión con el motor funcionando.
- Asegúrese de que las manos y los pies no se acerquen a la unidad de corte cuando el motor esté funcionando.
- Si algo se atasca en las cuchillas mientras trabaja, apague el motor y espere hasta que se haya detenido por completo antes de limpiar las cuchillas. Desconecte el cable de alta tensión de la bujía. Consulte *Para examinar las cuchillas en la página 27*.
- Cuando apague el motor, mantenga las manos y los pies alejados de la unidad de corte hasta que se haya detenido completamente.
- Tenga cuidado con los trozos de ramas que puedan salir eyectados durante el corte.
- Preste atención a las señales de advertencia o gritos cuando utilice protectores auriculares. Siempre retire

sus protectores auriculares apenas se detenga el motor.

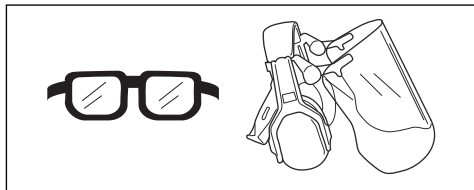
- No trabaje nunca desde una escalera, taburete ni ninguna otra posición elevada que no cumpla a cabalidad con las normas de seguridad.
- Utilice siempre las dos manos para sostener el producto. Mantenga el producto frente a su cuerpo.
- Si se golpea algún objeto extraño o si se producen vibraciones, detenga la máquina de inmediato. Desconecte el cable de alta tensión de la bujía. Compruebe que el producto no esté dañado. Repare cualquier daño.
- Asegúrese de que el sombrerete de bujía y el cable de encendido estén en perfecto estado para evitar el riesgo de descarga eléctrica.
- Verifique que todas las tuercas y tornillos estén firmes.
- Asegúrese de que la caja de engranajes esté correctamente lubricada. Consulte *Para lubricar la caja de engranajes en la página 27*.
- La caja de engranajes se calienta cuando se utiliza el producto. Para evitar quemaduras, no toque la caja de engranajes.
- Todas las cubiertas y protecciones se deben montar antes del uso.
- La protección para transportes siempre debe estar instalada en la unidad de corte cuando no se esté utilizando el producto.

Equipo de protección personal

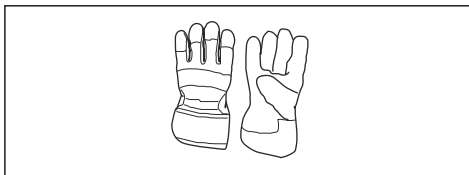


ADVERTENCIA: Lea atentamente las instrucciones de advertencia siguientes antes de usar el producto.

- Utilice siempre el equipo de protección personal adecuado cuando use el producto. El equipo de protección personal no puede impedir el riesgo de lesiones, pero disminuirá el grado de lesión si ocurre un accidente. Permita que su distribuidor le ayude seleccionar el equipo adecuado.
- Utilice protectores auriculares aprobados que proporcionen una reducción de ruido adecuada. La exposición prolongada al ruido puede causar la pérdida permanente de la audición.
- Use protección ocular homologada. Si utiliza un visor, también debe usar gafas protectoras homologadas. Las gafas protectoras homologadas deben cumplir con la norma ANSI Z87.1 de EE. UU. o EN 166 para países de la UE.



- Utilice guantes cuando sea necesario, por ejemplo, cuando conecte, examine o limpie el equipo de corte.



- Utilice botas o zapatos antideslizantes resistentes.



- Utilice ropa de material resistente. Use siempre pantalones largos y gruesos, y mangas largas. Evite usar ropas holgadas que se puedan enganchar con ramas. No trabaje con joyas, pantalones cortos, sandalias ni con los pies descalzos. Asegure su cabello por encima del nivel de los hombros.
- Mantenga un equipo de primeros auxilios a mano.



Dispositivos de seguridad en el producto

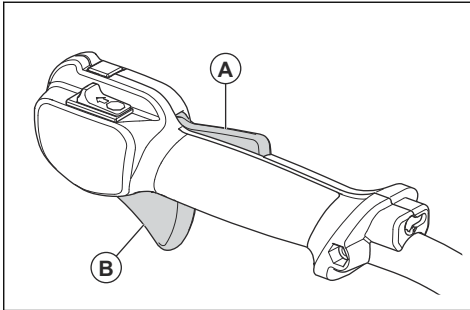


ADVERTENCIA: Lea atentamente las instrucciones de advertencia siguientes antes de usar el producto.

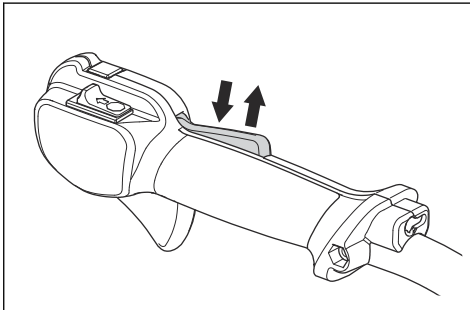
- No utilice un producto con dispositivos de seguridad defectuosos.
- Revise los dispositivos de seguridad de forma regular. Si los dispositivos de seguridad están defectuosos, comuníquese con su taller de servicio Husqvarna.

Comprobación del fiador del acelerador

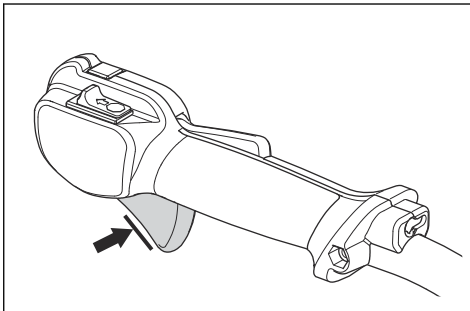
1. Asegúrese de que el bloqueo del acelerador (A) y el acelerador (B) se muevan libremente y que el muelle de retorno funcione de manera correcta.



2. Presione el bloqueo del acelerador hacia abajo y asegúrese de que vuelva a su posición inicial cuando lo suelte.



3. Asegúrese de que el acelerador esté bloqueado en la posición de ralentí cuando el bloqueo del acelerador esté liberado.



4. Encienda el producto y aplique la aceleración máxima.
5. Suelte el acelerador y asegúrese de que las hojas se detengan y permanezcan inmóviles.



ADVERTENCIA: Si las hojas se mueven cuando el acelerador está en la posición de ralentí, se debe ajustar el régimen de ralentí del carburador. Consulte *Para*

ajustar el régimen de ralentí en la página 25.

Para comprobar el interruptor de detención

1. Arranque el motor.
2. Empuje el interruptor de detención a la posición de detención y asegúrese de que el motor se detenga.



ADVERTENCIA: El interruptor de detención regresa automáticamente a la posición de arranque. Para evitar un arranque accidental, retire el sombrerete de bujía de la bujía cuando haga el montaje o el mantenimiento del producto.

Para comprobar la protección para la mano

La protección para la mano previene lesiones causadas por las hojas.

1. Detenga el motor.
2. Asegúrese de que la protección para la mano esté correctamente fijada.
3. Examine la protección para la mano para ver si está dañada.

Para comprobar el silenciador



ADVERTENCIA: No haga funcionar el producto sin un silenciador ni con un silenciador defectuoso. Un silenciador defectuoso puede aumentar el nivel de ruido y el riesgo de incendio. No utilice el producto sin una rejilla apagachispas ni con una que esté rota. La rejilla apagachispas debe sustituirse si está dañada.



ADVERTENCIA: El silenciador se calienta mucho durante o después del funcionamiento, así como en el régimen de ralentí.



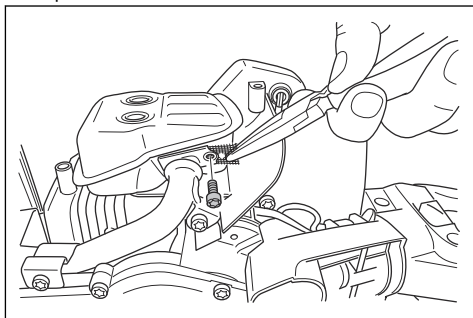
AVISO: Si la rejilla apagachispas se bloquea con frecuencia, puede ser indicio de que el rendimiento del catalizador disminuyó. Diríjase a su concesionario de servicio para examinar el silenciador. Una rejilla apagachispas obstruida producirá un sobrecalentamiento y causará daños en el cilindro y el pistón.



ADVERTENCIA: Las superficies internas del silenciador contienen químicos que pueden causar cáncer. Tenga cuidado de no tocar estos elementos si el silenciador presenta daños.

El silenciador mantiene los niveles de ruido al mínimo y dirige los gases de escape lejos del operador. Un silenciador con un catalizador disminuye los gases de escape nocivos.

1. Detenga el motor.
2. Realice una comprobación visual para determinar si hay daños y deformaciones.
3. Asegúrese de que el silenciador esté correctamente unido al producto.
4. Limpie la rejilla apagachispas suavemente con un cepillo de alambre.



Para comprobar las hojas y la protección de la hoja

La parte externa de las hojas tiene la función de una protección de la hoja. La protección de la hoja evita que se ocurran heridas por cortes.

1. Detenga el motor y asegúrese de que las hojas se detengan.
2. Quite el sombrerete de bujía de la bujía.
3. Utilice guantes protectores.
4. Compruebe que la hoja y la protección de la hoja no estén dañadas ni dobladas. Reemplace siempre las hojas que estén dañadas o dobladas, así como las protecciones de hojas dañadas.
5. Asegúrese de que los tornillos de las hojas y la protección de la hoja estén apretados.

Seguridad de combustible



ADVERTENCIA: Lea atentamente las instrucciones de advertencia siguientes antes de usar el producto.

- No arranque el producto si hay combustible o aceite de motor en el producto. Quite el combustible o aceite no deseado y deje secar el producto.
- Si derrama combustible en su ropa, cámbiese la ropa inmediatamente.
- No permita que le caiga combustible en el cuerpo, ya que puede causar lesiones. Si le cae combustible en el cuerpo, utilice jabón y agua para quitarlo.

- No arranque el producto si el motor tiene una fuga. Examine frecuentemente el motor en busca de fugas.
- Tenga cuidado con el combustible. El combustible es inflamable y los gases son explosivos y pueden causar lesiones graves o fatales.
- No respire los gases del combustible, ya que pueden causar lesiones. Asegúrese de que haya suficiente flujo de aire.
- No fume cerca del combustible o del motor.
- No coloque objetos calientes cerca del combustible o del motor.
- No agregue combustible cuando el motor esté en marcha.
- Asegúrese de que el motor se enfríe antes de llenar el depósito de combustible.
- Antes de llenar el depósito de combustible, abra lentamente la tapa del depósito de combustible y libere la presión con cuidado.
- No agregue combustible al motor en un área interior. Un flujo de aire insuficiente puede causar lesiones graves o fatales por asfixia o debido al monóxido de carbono.
- Apriete bien la tapa del depósito de combustible. Si no aprieta la tapa del depósito de combustible, se genera un riesgo de incendio.
- Mueva el producto a un mínimo de 3 m/10 pies de la posición en la que llenó el depósito antes de ponerlo en marcha.
- No llene el depósito de combustible completamente. El calor provoca que el combustible se expanda. Deje espacio en la parte superior del depósito de combustible.

Instrucciones de seguridad para el mantenimiento



ADVERTENCIA: Lea atentamente las instrucciones de advertencia siguientes antes de usar el producto.

- Detenga el motor y asegúrese de que el equipo de corte se detenga. Deje que el producto se enfríe antes de realizar tareas de mantenimiento.
- Desconecte el sombrerete de bujía antes de realizar el mantenimiento.
- Los gases de escape del motor contienen monóxido de carbono, un gas inodoro, tóxico y muy peligroso que puede causar la muerte. No arranque el producto en interiores o en espacios cerrados.
- Los gases de escape del motor están calientes y pueden contener chispas. No encienda el producto en interiores ni cerca de materiales inflamables.
- Accesorios y modificaciones en el producto que no estén aprobados por el fabricante pueden causar lesiones graves o la muerte. No modifique el producto. Siempre utilice accesorios originales.

- Si el mantenimiento no se realiza de manera correcta y regular, aumenta el riesgo de que se produzcan lesiones y que el producto se dañe.
- Solo realice mantenimiento según lo que se indica en este manual de usuario. Solicite que un Husqvarna taller de servicio realice todos los otros servicios.
- Permita que un taller de servicio Husqvarna aprobado realice trabajos de mantenimiento en el producto con regularidad.
- Cambie las piezas dañadas, desgastadas o rotas.

Funcionamiento

Introducción



ADVERTENCIA: Asegúrese de leer y comprender el capítulo de seguridad antes de utilizar el producto.

Combustible

Este producto tiene un motor de dos tiempos.



AVISO: Usar el tipo incorrecto de combustible puede causar daños en el motor. Utilice una mezcla de gasolina y de aceite para motores de dos tiempos.

Combustible premezclado

- Utilice combustible de alquilato premezclado Husqvarna de buena calidad para obtener el mejor rendimiento y prolongar la vida útil del motor. Este combustible contiene menos químicos dañinos en comparación con el combustible normal, lo cual disminuye los gases de escape dañinos. La cantidad de restos después de la combustión es menor con este combustible, que mantiene más limpios los componentes del motor.

Para mezclar combustible

Gasolina

- Utilice gasolina sin plomo de buena calidad con un contenido máximo de un 10 % de etanol.



AVISO: No utilice gasolina con un octanaje inferior a 90 RON/87 AKI. El uso de gasolina de octanaje inferior puede causar el golpeteo del motor, lo que provoca daños en el motor.

- Se recomienda utilizar gasolina de un octanaje superior para trabajos con revoluciones continuamente altas.

Aceite para motores de dos tiempos

- Para obtener los mejores resultados y el mejor rendimiento, utilice aceite para motores de dos tiempos Husqvarna.
- Si el aceite para motores de dos tiempos Husqvarna no está disponible, utilice un aceite para motores de dos tiempos de buena calidad para motores

enfriados por aire. Contáctese con su concesionario de servicio para seleccionar el aceite correcto.



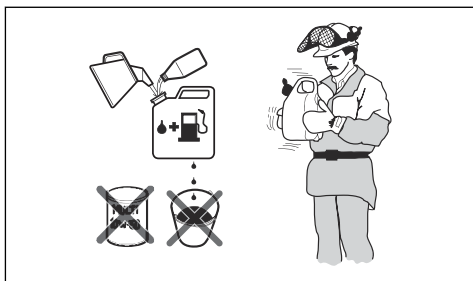
AVISO: No utilice aceite para motores de dos tiempos para motores fueraborda refrigerados por agua, también conocido como aceite para fueraborda. No utilice aceite para motores de cuatro tiempos.

Para mezclar gasolina y aceite para motores de dos tiempos

Gasolina, litros	Aceite para motores de dos tiempos, litro
	2 % (50:1)
5	0,10
10	0,20
15	0,30
20	0,40
Galón estadounidense	Onza líquida EE. UU.
1	2 ½
2 1/2	6 ½
5	12 ½



AVISO: Los errores pequeños pueden influir drásticamente en la proporción de la mezcla cuando se mezclan cantidades pequeñas de combustible. Mida cuidadosamente la cantidad de aceite y asegúrese de obtener la mezcla correcta.



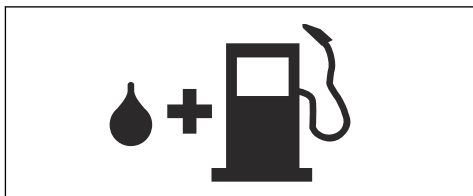
1. Llene la mitad de la cantidad de gasolina en un recipiente limpio para combustible.
2. Agregue la cantidad total de aceite.
3. Agite la mezcla de combustible.
4. Agregue la cantidad restante de gasolina al recipiente.
5. Agite cuidadosamente la mezcla de combustible.



AVISO: No mezcle el combustible durante más de 1 mes cada vez.

Para llenar el depósito de combustible

1. Limpie el área alrededor del tapón del depósito de combustible.



2. Agite el recipiente y asegúrese de que el combustible esté totalmente mezclado.
3. Apriete bien la tapa del depósito de combustible cuidadosamente.
4. Aleje el producto 3 m/10 pies o más del área de recarga de combustible y de la fuente de combustible antes de ponerlo en marcha.

Tenga en cuenta: Para conocer la ubicación del depósito de combustible en el producto, consulte *Descripción general de la máquina en la página 16*.

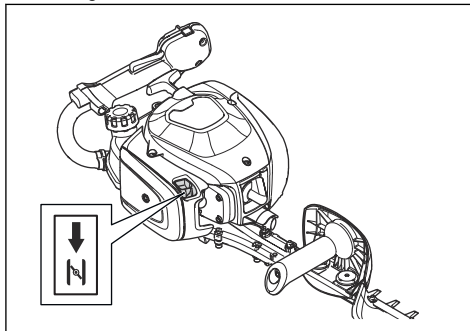
Para instalar el recolector de hojas y la protección en la punta de la hoja

1. Retire las ocho tuercas exteriores de los pernos en la hoja.
2. Coloque el recolector de hojas en los ocho pernos. Consulte *Descripción general de la máquina en la página 16* para ver la ubicación del recolector de hojas en el producto.

3. Coloque la protección de la punta de la hoja en los dos pernos de la punta de la hoja.
4. Instale las ocho tuercas en los pernos.
5. Apriete las tuercas a 7 Nm.

Para arrancar el producto con el motor frío

1. Tire del estrangulador hasta la posición de estrangulamiento.



2. Empuje el bulbo de la bomba de combustible aproximadamente 6 veces o hasta que el bulbo comience a llenar con combustible. No es necesario llenar completamente el bulbo de la purga de aire.
3. Mantenga el cuerpo del producto en el suelo con la mano izquierda. No se pare sobre el producto.
4. Tire de la empuñadura de la cuerda de arranque lentamente con la mano derecha hasta que sienta resistencia; luego, tire de la empuñadura de la cuerda de arranque rápidamente y con fuerza.



ADVERTENCIA: No se enrolle la cuerda de arranque en la mano.



AVISO: No tire la cuerda de arranque en toda su extensión y no suelte la empuñadura de la cuerda de arranque.

5. Siga tirando de la empuñadura de la cuerda de arranque hasta que el motor arranque y, a continuación, empuje el estrangulador hacia su posición inicial.



ADVERTENCIA: Las hojas se mueven cuando se pone en marcha el motor.

6. Siga tirando de la empuñadura de la cuerda de arranque hasta que el motor arranque.
7. Presione y suelte el acelerador para configurar el motor al régimen de ralentí.
8. Presione gradualmente el acelerador para aumentar el régimen del motor.

9. Asegúrese de que el motor funcione correctamente.

Para arrancar el producto con el motor caliente

1. Mantenga el cuerpo del producto en el suelo con la mano izquierda. No se pare sobre el producto.
2. Tire de la empuñadura de la cuerda de arranque lentamente con la mano derecha hasta que sienta resistencia; luego, tire de la empuñadura de la cuerda de arranque rápidamente y con fuerza. Siga hasta que arranque el motor.

Tenga en cuenta: Para obtener más información acerca de cómo arrancar el producto, consulte la sección *Para arrancar el producto con el motor frío en la página 23*.

Para detener la máquina

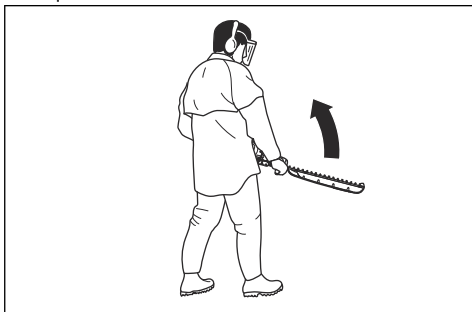
- Mueva el interruptor de detención a la posición de detención para detener el motor.



AVISO: El interruptor de detención regresa automáticamente a la posición de funcionamiento.

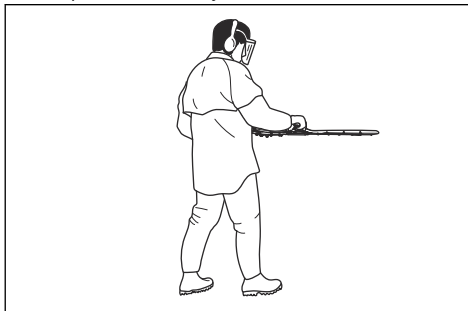
Para hacer funcionar el producto

1. Arránquelo cerca del suelo y mueva el producto a lo largo del seto cuando corte en los costados. Asegúrese de que la estructura del producto no toque el seto.



ADVERTENCIA: Asegúrese de que la parte delantera del equipo de corte no toque el suelo.

2. Ajuste la velocidad para ajustarla con la carga de trabajo.
3. Mantenga el producto cerca de usted para lograr una posición de trabajo estable.



4. Tenga cuidado y opere el producto lentamente.

Mantenimiento

Introducción



ADVERTENCIA: Lea detenidamente el capítulo de seguridad antes de realizar mantenimiento en el producto.

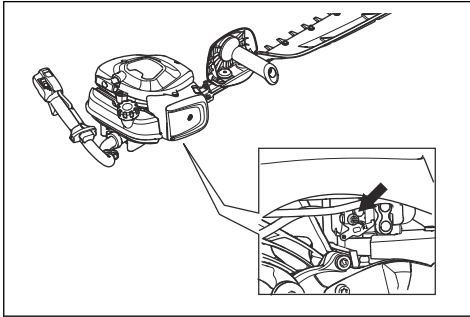
Programa de mantenimiento

Mantenimiento	Antes del funcionamiento	Después de 40 h	Después de 100 h
Limpie la superficie externa.	Después de cada funcionamiento.		
Retire hojas, polvo y lubricante no deseado del silenciador, del tubo de escape y del motor.	Después de cada funcionamiento.		
Asegúrese de que el equipo de corte no se mueva en el régimen de ralentí.	X		
Compruebe el interruptor de detención, consulte <i>Para comprobar el interruptor de detención en la página 20.</i>	X		
Inspeccione el equipo de corte y la protección del equipo de corte para determinar si presentan daños y grietas. Reemplácelos si es necesario.	X		
Inspeccione la protección para la mano para determinar si presenta daños y grietas. Reemplácelos si es necesario.	X		
Compruebe el bloqueo del acelerador y el acelerador, consulte <i>Comprobación del fiador del acelerador en la página 20.</i>	X		
Examine el motor, el depósito de combustible y los conductos de combustible para determinar si hay fugas.	X		
Apriete tuercas y tornillos.	X		
Inspeccione el filtro de combustible para determinar si presenta contaminación y la manguera de combustible para determinar si presenta grietas u otros defectos. Cámbielo si fuera necesario.	X		
Examine el arranque y la cuerda de arranque en busca de daños.		X	
Limpie el filtro de aire. Reemplácelos si es necesario.		X	
Inspeccione la bujía, consulte <i>Para examinar la bujía en la página 26.</i>		X	
Limpie el sistema de refrigeración.		X	
Limpie la superficie exterior del carburador y el espacio que lo rodea.		X	
Limpie o reemplace la red apagachispas.			X
Limpie la superficie interior del depósito de combustible.			X
Examine la bujía.			X
Asegúrese de que la caja de engranajes esté engrasada.			X

Para ajustar el régimen de ralentí

1. Limpie el filtro de aire e instale la cubierta del filtro de aire.
2. Arranque el producto, consulte *Para arrancar el producto con el motor frío en la página 23.*

3. Gire el tornillo de ajuste de ralentí en T en el sentido de las agujas del reloj hasta que el equipo de corte comience a moverse.



4. Gire el tornillo de ajuste de ralentí hacia la izquierda hasta que el equipo de corte se detenga.



ADVERTENCIA: Si el equipo de corte no se detiene cuando ajusta el régimen de ralentí, consulte con su concesionario de mantenimiento más cercano. No utilice la máquina hasta que esté correctamente ajustada o reparada.

Tenga en cuenta: El régimen de ralentí es el correcto cuando el motor funciona correctamente en todas las posiciones. Consulte *Datos técnicos en la página 28* para conocer el régimen de ralentí recomendado.

Para limpiar el sistema de refrigeración

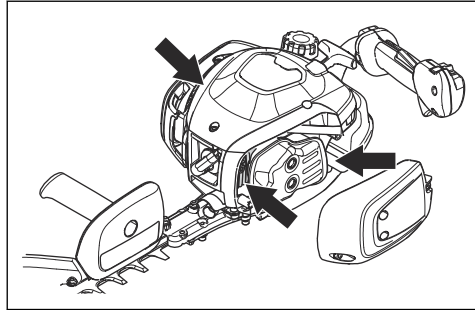
El sistema refrigerante mantiene la temperatura del motor baja. El sistema refrigerante incluye las aletas de refrigeración en el cilindro y el cuerpo del mecanismo de arranque.



AVISO: Las hojas pueden obstruir fácilmente la toma de aire entre el depósito de combustible y el cárter. Limpie la toma de aire por completo.

1. Limpie el sistema de refrigeración con un cepillo semanalmente o con mayor frecuencia si es necesario.

2. Asegúrese de que el sistema refrigerante no esté sucio ni obstruido.

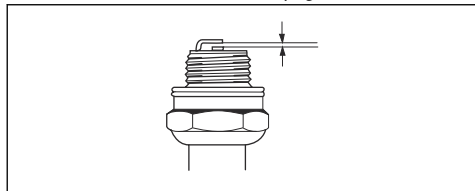


Para examinar la bujía



AVISO: Utilice siempre el tipo de bujía recomendada. El tipo de bujía incorrecto puede causar daños en el producto.

- Examine la bujía si el motor tiene una potencia demasiado baja, no arranca fácilmente o no funciona correctamente al régimen de ralentí.
- Para disminuir el riesgo de material no deseado en los electrodos de la bujía, siga estas instrucciones:
 - a) Asegúrese de que el régimen de ralentí esté ajustado correctamente.
 - b) Asegúrese de que la mezcla de combustible es la correcta.
 - c) Asegúrese de que el filtro de aire esté limpio.
- Si la bujía está sucia, límpiela y asegúrese de que la distancia entre los electrodos sea la correcta, consulte *Datos técnicos en la página 28*.



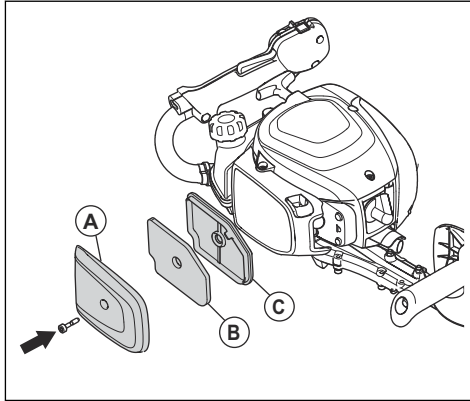
- Reemplace la bujía si es necesario.

Para limpiar el filtro de aire

Limpie el filtro de aire de la suciedad y el polvo con regularidad. Esto evita fallas del carburador, problemas de arranque, pérdida de potencia del motor, el desgaste de las piezas del motor y un mayor consumo de combustible de lo habitual.

1. Quite la cubierta del filtro de aire (A).

2. Quite el filtro de espuma (B) y el filtro de fieltro (C) del bastidor del filtro.



3. Reemplace el filtro de fieltro (C).
4. Limpie el filtro de espuma (B) con agua jabonosa tibia.

Tenga en cuenta: Un filtro de aire que se utiliza durante mucho tiempo no se puede limpiar completamente. Sustituya el filtro de aire periódicamente, al igual que cuando presente defectos.

5. Asegúrese de que el filtro de espuma (B) esté seco.
6. Aplique aceite del filtro de aire al filtro de espuma (B). Consulte *Para aplicar aceite al filtro de aire en la página 27*
7. Limpie la superficie interior de la cubierta del filtro de aire (A). Utilice aire comprimido o un cepillo.

Para aplicar aceite al filtro de aire



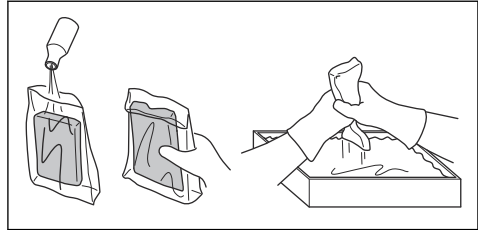
AVISO: Utilice siempre Husqvarna aceite especial para filtros de aire. No utilice otros tipos de aceite.



ADVERTENCIA: Utilice guantes protectores. El aceite del filtro de aire puede provocar irritación en la piel.

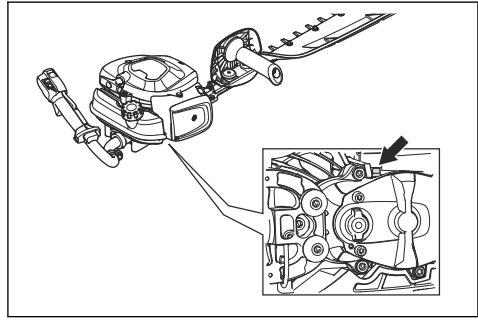
1. Coloque el filtro de aire en una bolsa de plástico.
2. Coloque el aceite en la bolsa de plástico.
3. Frote la bolsa de plástico para distribuir el aceite de manera uniforme en el filtro de aire.

4. Quite el aceite no deseado del filtro de aire mientras esté en la bolsa de plástico.



Para lubricar la caja de engranajes

- Utilice la grasa especial de Husqvarna. Comuníquese con su taller de servicio para obtener más información sobre recomendaciones de grasa.
- Agregue la grasa a través de la boquilla de engrase.



AVISO: No llene la caja de engranajes completamente.

Para limpiar y lubricar las hojas

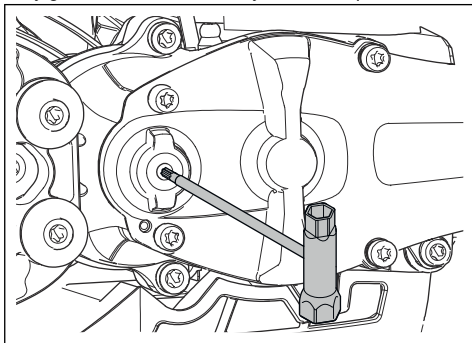
1. Retire materiales no deseados de las hojas antes y después de utilizar el producto.
2. Lubrique las cuchillas antes de períodos prolongados de almacenamiento.

Tenga en cuenta: Comuníquese con su taller de servicio para obtener más información sobre los agentes de limpieza y lubricantes recomendados.

Para examinar las cuchillas

1. Coloque la tapa en la caja de engranajes.

- Asegúrese de que las hojas se muevan libremente. Coloque la llave combinada en la caja de engranajes y gírelas hacia la derecha y hacia la izquierda.



- Inspeccione los bordes de las hojas para determinar si presentan daños o deformaciones.
- Utilice una lima para quitar las rebabas de las hojas.
- Coloque la tapa en la caja de engranajes.

Transporte, almacenamiento y eliminación de residuos

Transporte y almacenamiento

- Siempre deje que el producto se enfríe antes de guardarlo.
- Para el almacenamiento y el transporte del producto y del combustible, asegúrese de que no haya fugas o vapores. Las chispas o llamas, por ejemplo, de dispositivos eléctricos o calderas, pueden iniciar un incendio.
- Siempre use contenedores aprobados para el almacenamiento y el transporte del combustible.
- Vacíe el combustible antes de un almacenamiento prolongado. Deseche el combustible en un lugar adecuado para tal propósito.
- Fije la protección para transportes durante el transporte y almacenamiento.
- Quite el sombrerete de bujía de la bujía.
- Fije el producto durante el transporte. Asegúrese de que no se mueva.
- Limpie y realice mantenimiento en el producto antes de almacenarlo durante un período prolongado.

Datos técnicos

Datos técnicos

	522HS75S
Motor	
Cilindrada, cm ³ /pulg. cúb	21,7/1,32
Régimen de ralentí, rpm	3000
Velocidad máxima recomendada, rpm	9200
Potencia máxima del motor, según la norma ISO 8893, kW/hp a rpm	0,6/0,8 a 7800
Silenciador con catalizador	Sí
Sistema de encendido	
Bujía	NGK CMR6A
Distancia entre los electrodos, mm/pulg.	0,5/0,02
Combustible	
Capacidad del depósito de combustible, l/pinta EE. UU.	0,45/0,95

	522HS75S
Peso	
Sin combustible, kg/lb	5,1/11,2
Cuchillas	
Tipo	De una cara
Longitud, mm/pulg.	750/29,5
Velocidad de la hoja, cortes/min	4400

Garantía

DECLARACIÓN DE GARANTÍA DEL CONTROL DE EMISIONES DE VAPORES Y DE ESCAPE CONFORME A LA NORMATIVA FEDERAL DE LOS ESTADOS UNIDOS, LA NORMATIVA DE CALIFORNIA Y LA NORMATIVA DE CANADÁ

Tenga en cuenta: Este anexo está destinado principalmente al consumidor o a usuarios ocasionales.

IMPORTANTE: este producto cumple con la normativa Fase 3 de la EPA (Environmental Protection Agency, Agencia de Protección Medioambiental) de EE. UU. referente a emisiones de escape y evaporación. Para asegurar la conformidad con la EPA Fase 3, se recomienda utilizar solo repuestos originales de la marca Husqvarna. El uso de piezas de repuesto que no cumplan con esta norma es una violación de la ley federal.

DERECHOS Y OBLIGACIONES DE LA GARANTÍA

La EPA de los EE. UU. (Environmental Protection Agency, Agencia de Protección Ambiental), la junta CARB (California Air Resources Board, Junta de Recursos del Aire de California), Medioambiente Canadá (Environment Canada) y Husqvarna Forest & Garden se complacen en profundizar sobre los distintos aspectos de la garantía del sistema de control de emisiones de vapores y de escape del motor de pequeña cilindrada para todo terreno 2019-2020*. En el estado de California, los nuevos equipos que utilizan motores pequeños para todo terreno se deben diseñar, construir y equipar conforme a las estrictas normas de control de emisiones contaminantes del Estado. Husqvarna Forest & Garden debe proporcionar una garantía para el sistema de control de emisiones del motor pequeño para todo terreno por los períodos que se indican a continuación, siempre que no haya ningún abuso, negligencia ni mantenimiento incorrecto del motor pequeño para todo terreno o del equipo que pueda provocar la falla del sistema de control de emisiones. El sistema de control de emisiones puede incluir piezas como un carburador o sistema de inyección de combustible, un sistema de encendido, catalizador, tanques de combustible, tuberías de combustible (para combustible líquido y vapores de combustible), tapones de combustible, válvulas, depósitos, filtros, abrazaderas y otros componentes asociados. Además, puede incluir mangueras, correas, conectores y otros montajes relacionados con las emisiones. Cuando exista una condición cubierta por la garantía, Husqvarna Forest & Garden reparará el motor

de pequeña cilindrada para todo terreno sin costo, incluido el diagnóstico, las piezas y la mano de obra.

COBERTURA DE LA GARANTÍA DEL FABRICANTE

El sistema de control de emisiones de vapores y de escape del motor pequeño para todo terreno tiene una garantía de dos años. Si alguna de las piezas del motor de pequeña cilindrada para todo terreno relacionada con las emisiones tiene una falla, Husqvarna Forest & Garden reparará o reemplazará la pieza.

RESPONSABILIDADES DE GARANTÍA DEL PROPIETARIO

- Como propietario del motor de pequeña cilindrada para todo terreno, es responsable de realizar el mantenimiento necesario que figura en el manual de usuario. Husqvarna Forest & Garden recomienda que conserve todos los recibos que cubran el mantenimiento del motor pequeño para uso fuera de carretera; sin embargo, Husqvarna Forest & Garden no puede negar la garantía solo por la falta de recibos o porque no pueda garantizar la realización de todo el programa de mantenimiento.
- No obstante, como propietario del motor de pequeña cilindrada para todo terreno debe saber que Husqvarna Forest & Garden puede negar la cobertura de la garantía si dicho motor o una de sus piezas falló como resultado del abuso, negligencia o mantenimiento incorrecto, o modificaciones no aprobadas.
- Usted es responsable de llevar el motor de pequeña cilindrada para todo terreno a un centro de servicios o de distribución de Husqvarna Forest & Garden lo antes posible en cuanto surja el problema. Las reparaciones bajo garantía se deben realizar dentro de un tiempo razonable que no supere los 30 días. Si tiene preguntas acerca de los derechos y las responsabilidades que implica esta garantía, debe comunicarse con Husqvarna Forest & Garden en EE. UU. al 1-800-487-5951, en CANADÁ al 1-800-805-5523 o enviar un correo electrónico a emissions@husqvarnagroup.com.

FECHA DE INICIO DE LA GARANTÍA

El período de garantía comienza en el momento en que se entrega el motor o equipo al comprado final.

EXTENSIÓN DE LA COBERTURA

Husqvarna Forest & Garden le garantiza al comprador final y a cualquier comprador posterior que el motor, así como el equipo, se diseñaron, construyeron y equiparon para que cumplan con las normativas pertinentes adoptadas por la EPA y la CARB, y que está libre de defectos en cuanto a materiales y mano de obra que causen la falla de una pieza cubierta por la garantía durante un período de dos años.

ELEMENTOS CON COBERTURA

REPARACIÓN O SUSTITUCIÓN DE PIEZAS: La reparación o el reemplazo de cualquier pieza bajo garantía se debe realizar sin costo alguno para el propietario en un centro cubierto por la garantía. Las reparaciones o los servicios bajo garantía se brindarán en todos los centros de distribución de Husqvarna Forest & Garden bajo franquicia para realizar mantenimientos a los motores en cuestión. Durante el período de garantía de emisiones de dos años, Husqvarna Forest & Garden debe mantener un suministro de piezas bajo garantía suficiente para cumplir con la demanda prevista de dichas piezas.

PERÍODO DE GARANTÍA: Cualquier pieza garantizada que esté programada para ser reemplazada según el mantenimiento requerido, está garantizada durante todo el período de garantía anterior a la primera fecha de sustitución programada para dicha pieza. Si la pieza presenta fallas antes del primer reemplazo programado, esta la reparará o reemplazará Husqvarna Forest & Garden sin costo. Cualquier pieza reparada o sustituida bajo la garantía está garantizada durante el lapso restante del periodo anterior al primer punto de sustitución programado para la pieza. Cualquier pieza garantizada que está programada para ser reemplazada según lo requerido en el programa de mantenimiento, tiene una garantía de dos años. Si alguna pieza presenta fallas durante la cobertura del período de garantía, Husqvarna Forest & Garden reparará o reemplazará la pieza sin costo. Cualquier pieza reparada o sustituida bajo la garantía está garantizada durante el lapso restante del periodo. Cualquier pieza garantizada que está programada únicamente para inspección regular dentro del programa de mantenimiento recibirá cobertura de la garantía por un período de dos años. La declaración en tales instrucciones escritas similar a "reparar o reemplazar según sea necesario" no reducirá el período de cobertura de la garantía. Cualquier pieza reparada o sustituida bajo garantía estará garantizada durante el lapso restante del periodo.

DIAGNÓSTICO: El propietario no debe recibir cobro por los trabajos de diagnóstico que lleven a determinar que una pieza bajo garantía se encuentra de hecho defectuosa, siempre y cuando dicho trabajo de diagnóstico se realice en un centro cubierto por la garantía.

DAÑOS INDIRECTOS: Husqvarna Forest & Garden es responsable por los daños a otros componentes del motor causados en forma directa por una falla cubierta por la garantía de cualquiera de las piezas bajo garantía.

LISTADO DE PIEZAS DE EMISIONES CUBIERTAS POR LA GARANTÍA

1. Carburador y piezas internas.
2. Tubo de admisión, soporte del filtro de aire y pernos del carburador.
3. Filtro de aire y filtro de combustible cubiertos hasta el programa de mantenimiento.
4. Bujía, cubierta hasta el programa de mantenimiento.

5. Módulo de ignición.
6. Depósito de combustible, tubería de combustible (para combustible líquido y mangueras de vapor) y tapón de combustible.

ELEMENTOS SIN COBERTURA

Las fallas causadas por abuso, negligencia o mantenimiento incorrecto no están cubiertas por la garantía.

AÑADIDURAS O PIEZAS MODIFICADAS: No pueden utilizarse las añadiduras o piezas modificadas no exentas por la CARB o la EPA. La utilización de añadiduras o de piezas modificadas no exentas podrá servir de fundamento para anular una reclamación de garantía. Husqvarna Forest & Garden no será responsable de las fallas de garantía de las piezas garantizadas provocadas por el uso de complementos o piezas modificadas no exentas.

CÓMO PRESENTAR UNA RECLAMACIÓN

Si tiene preguntas relacionadas con sus derechos y responsabilidades de la garantía, deberá comunicarse con su concesionario de servicio autorizado más cercano o llamar a Husqvarna Forest & Garden en EE. UU. al 1-800-487-5951, en CANADÁ al 1-800-805-5523 o enviar un correo electrónico a emissions@husqvarnagroup.com.

DÓNDE OBTENER SERVICIOS DE LA GARANTÍA

Las reparaciones o los servicios de la garantía se brindan a través de todos los talleres de servicio autorizados de Husqvarna Forest & Garden.

MANTENIMIENTO, REEMPLAZO Y REPARACIÓN DE PIEZAS RELACIONADAS CON EL CONTROL DE EMISIONES

Cualquier pieza para sustituir una defectuosa puede utilizarse en cualquier mantenimiento o reparación bajo garantía y deben proporcionarse al propietario sin cargo. Dicho uso no reducirá las obligaciones de la garantía por parte del fabricante.

DECLARACIÓN DE MANTENIMIENTO

El propietario es responsable por la realización de todo el mantenimiento requerido, según se establece en el manual de usuario.

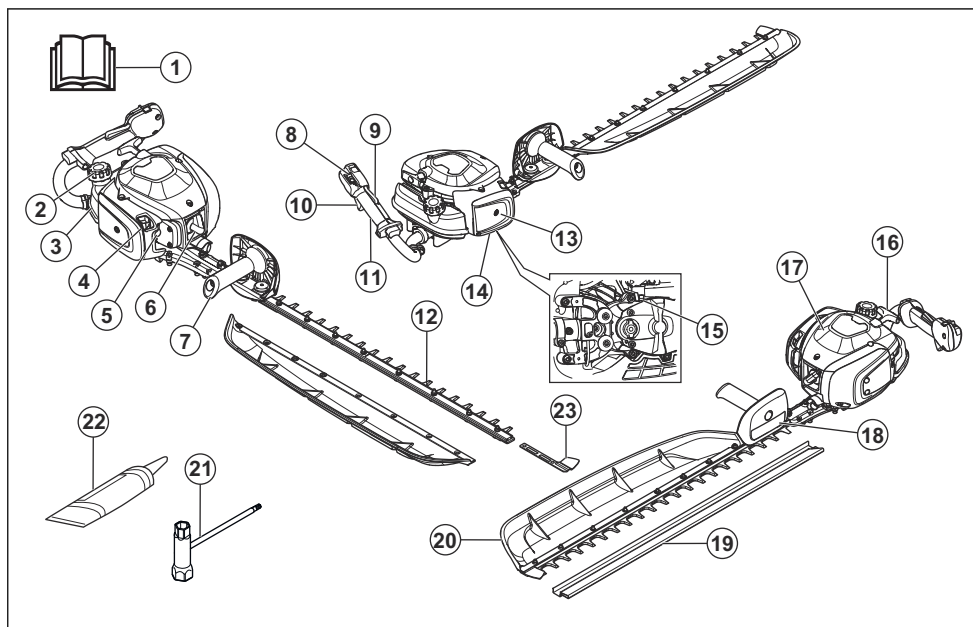
*El año del modelo actual y subsiguiente se actualizará anualmente en la declaración de garantía proporcionada al consumidor. Por ejemplo, en el año del modelo 2012, se especificará 2012-2013.

Table des matières

Introduction.....	32	Transport, entreposage et mise au rebut.....	44
Sécurité.....	33	Données techniques.....	44
Fonctionnement.....	38	Garantie.....	46
Entretien.....	40		

Introduction

Présentation du produit



1. Manuel d'utilisation
2. Bouchon du réservoir de carburant
3. Réservoir de carburant
4. Commande de l'étrangleur
5. Pompe de purge d'air
6. Capuchon de bougie et bougie d'allumage
7. Poignée avant
8. Interrupteur d'arrêt
9. Dispositif de verrouillage de la gâchette de l'accélérateur
10. Gâchette d'accélération
11. Poignée arrière
12. Lame
13. Couvercle du filtre à air
14. Carter

15. Raccord de graissage
16. Corde du lanceur
17. Couvercle de vérin
18. Protège-mains
19. Dispositif de protection pour le transport
20. Ramasse-feuilles
21. Clé à usages multiples
22. Tube de graisse
23. Protection des pointes des lames

Description de l'outil

Le produit est un taille-haie avec moteur à combustion.

Utilisation prévue

Utiliser cet outil pour couper les branches et les broussailles. Ne pas utiliser l'outil pour d'autres tâches.

Symboles figurant sur l'appareil



AVERTISSEMENT! Ce produit est dangereux. L'opérateur ou les personnes à proximité peuvent subir des blessures graves voire mortelles, si le produit n'est pas utilisé correctement et avec précaution. Pour éviter des blessures à l'opérateur ou aux personnes à proximité, lire et respecter toutes les consignes de sécurité contenues dans le manuel d'utilisation.



Avant d'utiliser la tondeuse, lire attentivement le manuel d'utilisation et veiller à bien comprendre les directives.



Utiliser un dispositif de protection pour les oreilles et des lunettes de protection homologués.



Utiliser des gants de protection homologués.



Utiliser des bottes antidérapantes robustes.

yyyywwxxxx

La plaque signalétique indique le numéro de série. **yyyy** représente l'année de production et **ww** indique la semaine de production.

Remarque : Les autres symboles et autocollants apposés sur le produit se rapportent aux exigences en matière de certification pour certains marchés.

Proposition 65 de la Californie

ATTENTION!

Les émissions du moteur de cet outil contiennent des produits chimiques qui, d'après l'État de Californie, peuvent causer le cancer, des malformations congénitales ou autre danger pour la reproduction.

EPA III

EMISSION CONTROL INFORMATION

 Husqvarna

HUSQVARNA AB HUSKVARNA SWEDEN

THIS ENGINE MEETS U.S. EPA AND CALIFORNIA EXH/EVP REGS FOR [REDACTED] SORE. REFER TO OPERATOR'S MANUAL FOR MAINTENANCE SPECIFICATIONS AND ADJUSTMENTS. EMISSIONS COMPLIANCE PERIOD: [REDACTED]

La période de conformité aux réglementations antipollution de l'autocollant de conformité d'émissions indique le nombre nominal d'heures de fonctionnement du moteur conformément aux réglementations du gouvernement fédéral américain et de la Californie.

Service à la clientèle

Pour joindre le service à la clientèle, appelez le : 1-800-487-5951 ou visitez le site www.husqvarna.com.

Sécurité

Définitions relatives à la sécurité

Les avertissements, recommandations et remarques soulignent des points du manuel qui revêtent une importance particulière.



AVERTISSEMENT: Indique la présence d'un risque de blessure ou de décès de l'utilisateur ou de personnes à proximité si

les instructions du manuel ne sont pas suivies.



MISE EN GARDE : Indique la présence d'un risque de dommages au produit, à d'autres appareils ou à la zone adjacente si les instructions du manuel ne sont pas suivies.

Remarque : Utilisé pour donner des renseignements plus détaillés qui sont nécessaires dans une situation donnée.

Consignes générales de sécurité



AVERTISSEMENT: Lire les messages d'avertissement qui suivent avant d'utiliser l'outil.

- Une utilisation inappropriée ou imprudente du taille-haie risque d'en faire un outil dangereux susceptible de provoquer des blessures graves, voire mortelles. Il est extrêmement important de lire et de comprendre le contenu de ce manuel de l'opérateur.
- Ce produit produit un champ électromagnétique pendant le fonctionnement. Ce champ magnétique peut, dans certains cas, nuire aux implants médicaux actifs ou passifs. Pour réduire le risque de blessures graves ou mortelles, nous recommandons aux personnes ayant des implants médicaux de consulter leur médecin et le fabricant de l'implant médical avant d'utiliser le produit.
- La surexposition aux vibrations peut entraîner des problèmes circulatoires ou des troubles nerveux, en particulier chez les personnes ayant des troubles circulatoires. En cas de symptômes liés à une surexposition aux vibrations, consulter un médecin. Voici certains de ces symptômes : engourdissement, perte de sensibilité, fourmillement, picotement, douleur, faiblesse musculaire, décoloration ou modification de l'épiderme. Ces symptômes apparaissent normalement aux doigts, aux mains et aux poignets. Les risques augmentent à basse température.
- Il est recommandé de consulter un expert en cas de doute. Communiquer avec votre concessionnaire ou votre atelier d'entretien. Éviter toutes les utilisations qui vous semblent difficiles.
- Garder en tête que l'opérateur ou l'utilisateur est responsable des accidents et des risques survenant à d'autres personnes, ainsi que de ses biens.
- Ne jamais laisser des gens utiliser le produit sans d'abord s'assurer qu'ils ont compris le contenu du manuel de l'opérateur.
- Ne jamais laisser des enfants utiliser le produit ou se tenir à proximité de celui-ci. Puisque le produit est équipé d'un interrupteur d'arrêt à ressort et peut être démarré à bas régime ou en exerçant une légère force sur la poignée du lanceur, même des jeunes enfants dans certaines circonstances peuvent

produire la force nécessaire pour démarrer le produit. Cela peut entraîner un risque de graves blessures. Par conséquent, retirer le capuchon de la bougie d'allumage lorsque le produit n'est pas sous une surveillance stricte.

- Entreposer le produit hors de portée des enfants.
- N'utilisez jamais le produit en cas de fatigue, d'absorption d'alcool ou de prise de médicaments susceptibles de nuire à la vision, au bon jugement ou à la maîtrise du corps.
- Ne jamais utiliser un appareil défectueux. Effectuer les vérifications, l'entretien et les réparations conformément aux instructions fournies dans ce manuel. Certaines mesures d'entretien et de réparation doivent être effectuées par des spécialistes formés et qualifiés. Voir les instructions sous la rubrique Entretien.
- Ne jamais utiliser un appareil qui a été modifié de quelque manière que ce soit par rapport aux spécifications d'origine.

Consignes de sécurité pour l'utilisation



AVERTISSEMENT: Lire les messages d'avertissement qui suivent avant d'utiliser l'appareil.

- N'utilisez jamais le produit dans des conditions climatiques extrêmes, par exemple, dans des climats extrêmement froids, très chauds ou très humides.
- Des lames en mauvais état augmentent le risque d'accident.
- S'assurer que personne ne s'approche à moins de 15 m (50 po) pendant le travail.
- Observer la zone environnante et s'assurer qu'il n'y a aucune personne ou aucun animal qui risque d'entrer en contact avec l'équipement de coupe.
- Inspecter la zone de travail. Retirer tout objet susceptible d'être projeté.
- Toujours s'assurer d'être dans une position de travail sécuritaire et stable.
- Ne jamais laisser le produit sans surveillance alors que le moteur est en marche.
- Lorsque le moteur est en marche, garder les mains et les pieds à l'écart de l'unité de coupe.
- Si un objet se coince dans les lames durant le travail, couper le moteur et attendre qu'il s'arrête complètement avant de nettoyer les lames. Débrancher le câble haute tension de la bougie. Se reporter à la section *Pour examiner les lames à la page 43*.
- Lorsque le moteur est coupé, garder les mains et les pieds à l'écart de l'unité de coupe jusqu'à ce qu'il soit complètement arrêté.
- Faire attention aux branches pouvant être projetées durant la coupe.
- Rester attentif aux appels ou cris d'avertissement en cas de port de protecteurs d'oreilles. Toujours

enlever les protecteurs d'oreilles dès que le moteur s'arrête.

- Ne jamais travailler debout sur une échelle, un tabouret, ou dans une autre position élevée n'offrant pas une sécurité maximale.
- Toujours tenir le produit à deux mains. Tenir l'outil en avant du corps.
- Si le produit touche un objet étranger quelconque ou produit des vibrations, l'arrêter immédiatement. Débrancher le câble haute tension de la bougie. S'assurer que le produit n'a pas subi de dommages. Réparer tout dommage.
- S'assurer que le capuchon de la bougie d'allumage et le fil d'allumage ne sont pas endommagés, afin d'éviter le risque de décharge électrique.
- Vérifier le serrage de l'ensemble des écrous et des vis.
- S'assurer que le carter d'engrenage est correctement lubrifié. Se reporter à la section *Pour lubrifier le carter d'engrenage à la page 43*.
- Le carter devient chaud après l'utilisation du produit. N'y touchez pas, vous risqueriez de vous blesser.
- Tous les couvercles et toutes les protections doivent être montés avant le démarrage.
- Toujours installer la protection de transport sur l'unité de coupe lorsque le produit n'est pas en cours d'utilisation.

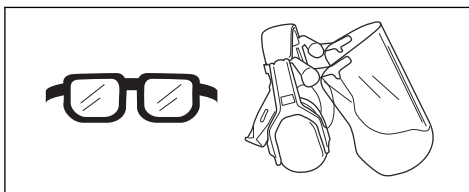
Équipement de protection personnelle



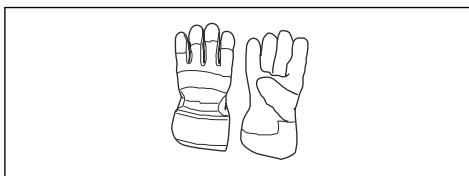
AVERTISSEMENT: Lire les messages d'avertissement qui suivent avant d'utiliser l'appareil.

- Toujours utiliser un équipement de protection personnelle homologué lors de l'utilisation de l'appareil. Cet équipement de protection personnelle n'élimine pas complètement les risques de blessures, mais il peut en réduire la gravité en cas d'accident. Laisser le concessionnaire vous aider à sélectionner l'équipement adéquat.
- Porter des protecteurs d'oreille homologués qui assurent une réduction adéquate du bruit. L'exposition prolongée au bruit peut causer des lésions auditives permanentes.
- Utiliser un dispositif de protection homologué pour les yeux. Porter également des lunettes de protection homologuées en cas d'utilisation d'une visière. Les lunettes de protection homologuées doivent être conformes à la norme ANSI Z87.1 aux

États-Unis ou à la norme EN 166 dans les pays de l'Union européenne.



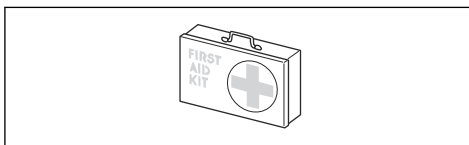
- Utiliser des gants au besoin, par exemple lors de la fixation, de l'examen ou du nettoyage de l'instrument de coupe.



- Porter des bottes ou chaussures antidérapantes robustes.



- Utiliser des vêtements faits de tissus résistants. Toujours utiliser des pantalons longs et lourds et des manches longues. Ne pas porter des vêtements amples qui peuvent se prendre dans les broussailles et les branches. Ne pas porter des bijoux, des pantalons courts, des sandales et ne pas marcher pieds nus. Garder les cheveux au-dessus des épaules.
- Garder une trousse de premiers soins à portée de main.



Dispositifs de sécurité sur l'outil



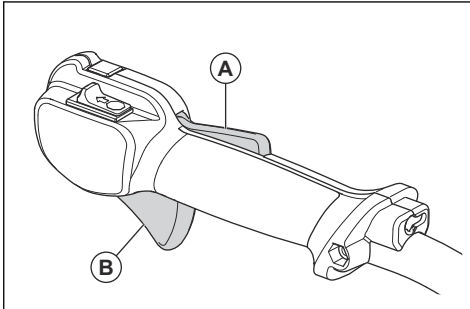
AVERTISSEMENT: Lire les messages d'avertissement qui suivent avant d'utiliser l'outil.

- Ne pas utiliser un outil dont les dispositifs de protection sont défectueux.

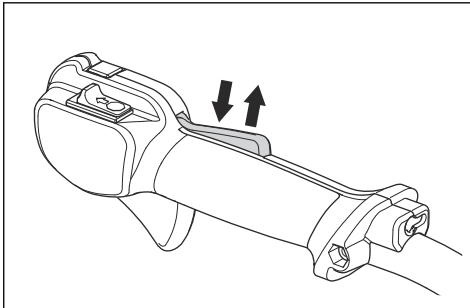
- Vérifier régulièrement les dispositifs de sécurité. Si les dispositifs de sécurité sont défectueux, parler à votre agent d'entretien Husqvarna.

Pour vérifier le verrouillage de la gâchette de l'accélérateur

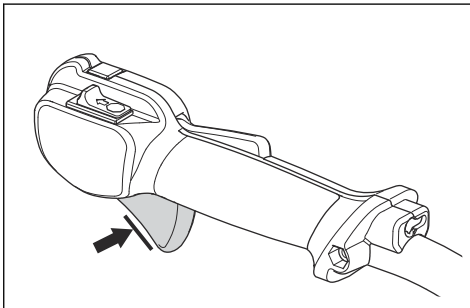
1. Vérifier que le dispositif de verrouillage de la gâchette de l'accélérateur et la gâchette d'accélération bougent librement et que le ressort de retour fonctionne correctement.



2. Appuyer sur le dispositif de verrouillage de la gâchette et s'assurer qu'il retourne à sa position initiale lorsqu'on le relâche.



3. S'assurer que la gâchette de l'accélérateur est verrouillée en position de ralenti lorsque le dispositif de verrouillage de la gâchette de l'accélérateur est relâché.



4. Démarrer le produit et le lancer à plein régime.

5. Relâcher la gâchette de l'accélérateur et s'assurer que la lame s'arrête et s'immobilise.



AVERTISSEMENT: Si les lames tournent lorsque la gâchette d'accélération se trouve à la position de ralenti, le régime de ralenti du carburateur doit être réglé. Se reporter à la section *Réglage du régime de ralenti* à la page 41.

Pour vérifier l'interrupteur d'arrêt

1. Démarrer le moteur.
2. Appuyer sur l'interrupteur d'arrêt en position d'arrêt et s'assurer que le moteur s'arrête.



AVERTISSEMENT: L'interrupteur revient automatiquement à la position de démarrage. Afin d'éviter tout démarrage accidentel, retirez le chapeau de la bougie d'allumage lorsque vous assemblez l'outil ou en effectuez l'entretien.

Vérification du protège-main

Le protège-main empêche les blessures dues aux lames.

1. Couper le moteur.
2. S'assurer que la protection de la main est bien fixée.
3. Inspecter le protège-main pour détecter d'éventuels dommages

Pour vérifier le silencieux



AVERTISSEMENT: Ne pas utiliser le produit sans silencieux ou lorsque le silencieux est défectueux. Un silencieux défectueux peut augmenter le niveau sonore et le risque d'incendie. Ne pas utiliser le produit sans la grille pare-étincelles ou dont la grille pare-étincelles est défectueuse. Remplacer la grille pare-étincelles si elle est endommagée.



AVERTISSEMENT: Les silencieux deviennent très chaud pendant et après utilisation, ainsi que lorsque le moteur tourne au ralenti.



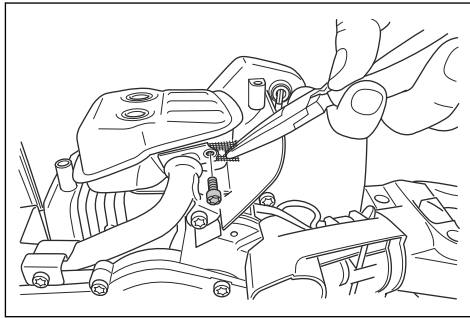
MISE EN GARDE : Si la grille pare-étincelles est souvent obstruée, cela peut être le signe d'une réduction de la performance du pot catalytique. Se rendre chez le fournisseur de services d'entretien pour examiner le silencieux. Une grille pare-étincelles obstruée provoque une surchauffe et une détérioration du cylindre et du piston.



AVERTISSEMENT: Les surfaces internes du silencieux contiennent des produits chimiques pouvant causer des cancers. Faire attention à ne pas toucher ces éléments si le silencieux est endommagé.

Le silencieux maintient le niveau de bruit au minimum et dirige les gaz d'échappement loin de l'utilisateur. Un silencieux doté d'un pot catalytique réduit les substances toxiques des gaz d'échappement.

1. Couper le moteur.
2. Effectuer une inspection visuelle pour détecter d'éventuels dommages ou déformation.
3. S'assurer que le silencieux est bien fixé sur le produit.
4. Nettoyer doucement la grille pare-étincelles à l'aide d'une brosse métallique.



Pour vérifier les lames et le protège-lame

La partie extérieure des lames remplit la fonction de protège-lame. Le protège-lame prévient les coupures.

1. Arrêter le moteur et s'assurer que les lames s'arrêtent aussi.
2. Retirer le chapeau de la bougie.
3. Enfiler des gants de protection.
4. S'assurer que la lame et le protège-lame ne sont pas endommagés ou tordus. Toujours remplacer une lame endommagée ou déformée, même chose pour le protège-lame.
5. S'assurer que les vis des lames et du protège-lame sont bien serrées.

Sécurité – carburant



AVERTISSEMENT: Lire les messages d'avertissement qui suivent avant d'utiliser l'outil.

- Ne pas démarrer l'outil s'il y a du carburant ou de l'huile moteur sur l'outil. Nettoyer le carburant ou l'huile et laisser sécher l'outil.
- Si du carburant se déverse sur les vêtements, changer immédiatement de vêtement.

- Ne pas déverser du carburant sur le corps; cela pourrait causer des blessures. Si du carburant se déverse sur le corps, se nettoyer au savon doux et à l'eau.
- Ne pas démarrer l'outil si le moteur présente une fuite. Vérifier régulièrement le moteur à la recherche de fuites.
- Faire preuve de prudence lors de la manipulation du carburant. Celui-ci est inflammable et ses vapeurs sont explosives et peuvent causer des blessures ou la mort.
- Ne pas respirer les vapeurs de carburant, car elles peuvent causer des blessures. Vérifier que la ventilation est suffisante.
- Ne pas fumer à proximité du carburant ou du moteur.
- Ne pas placer des objets chauds à proximité du carburant ou du moteur.
- Ne pas faire le plein de carburant lorsque le moteur tourne.
- Vérifier que le moteur est froid avant de faire le plein.
- Avant de faire le plein, ouvrir lentement le couvercle du réservoir de carburant et relâcher la pression avec précaution.
- Ne pas faire le plein dans une pièce fermée. Un débit d'air insuffisant peut entraîner des blessures ou la mort en raison d'une asphyxie ou du monoxyde de carbone.
- Serrer fermement le couvercle du réservoir de carburant. Si le couvercle du réservoir de carburant n'est pas bien serré, il y a un risque d'incendie.
- Avant de démarrer l'outil, le déplacer à au moins 3 m (10 pi) de la position où le plein de carburant a été fait.
- Ne jamais remplir le réservoir de carburant complètement. La chaleur provoque une dilatation du carburant. Laisser un espace dans la partie supérieure du réservoir de carburant.

Consignes de sécurité pour la maintenance



AVERTISSEMENT: Lire les messages d'avertissement qui suivent avant d'utiliser l'outil.

- Arrêter le moteur et s'assurer que l'unité de coupe s'arrête aussi. Laisser le produit refroidir avant de procéder à l'entretien.
- Débrancher la bougie d'allumage avant de procéder à l'entretien.
- Les gaz d'échappement du moteur contiennent du monoxyde de carbone, un gaz inodore, toxique et très dangereux qui peut causer la mort. Ne pas démarrer le produit à l'intérieur ou dans des espaces fermés.
- Les gaz d'échappement du moteur sont chauds et peuvent contenir des étincelles. Ne pas démarrer

l'outil dans un local clos ou à proximité de matériaux inflammables.

- Les accessoires et les modifications apportées au produit qui ne sont pas approuvés par le fabricant peuvent causer des blessures graves, voire mortelles. Ne pas modifier l'outil. Utilisez toujours des accessoires d'origine.
- Si l'entretien n'est pas effectué correctement et régulièrement, le risque de blessures et de dommages à l'outil augmente.

- N'effectuer que les travaux d'entretien recommandés dans ce manuel d'utilisation. Laisser un agent d'entretien agréé Husqvarna effectuer toutes les autres opérations d'entretien.
- Demander régulièrement à un agent d'entretien agréé Husqvarna d'effectuer l'entretien de l'outil.
- Remplacer les pièces endommagées, usées ou brisées.

Fonctionnement

Introduction



AVERTISSEMENT: Lire et comprendre le chapitre sur la sécurité avant d'utiliser le produit.

Carburant

Cet outil est équipé d'un moteur à deux-temps.



MISE EN GARDE : Un type de carburant inapproprié peut endommager le moteur. Utiliser un mélange d'essence et d'huile pour moteur à deux-temps.

Carburant prémélangé

- Utiliser du carburant alkylat prémélangé Husqvarna de bonne qualité, pour des performances optimales et un prolongement de la durée de vie du moteur. Ce carburant contient moins de substances chimiques nocives par rapport à un carburant régulier, ce qui réduit les gaz d'échappement nocifs. La quantité de dépôts après combustion est inférieure avec ce carburant, ce qui maintient les composants du moteur plus propres.

Pour mélanger le carburant

Essence

- Utiliser de l'essence sans plomb de bonne qualité contenant au maximum 10 % d'éthanol.



MISE EN GARDE : Ne pas utiliser d'essence à indice d'octane inférieur à 90 RON (87 AKI). L'utilisation d'un indice d'octane inférieur peut entraîner le cognement du moteur, ce qui provoque des dommages au moteur.

- L'utilisation d'une essence avec un indice d'octane supérieur est recommandée pour travailler à un régime moteur élevé en permanence.

Huile à moteur deux temps

- Pour obtenir un meilleur résultat et un fonctionnement optimal, utiliser l'huile pour moteur à deux-temps Husqvarna.
- Si l'huile pour moteur à deux temps Husqvarna n'est pas disponible, utiliser une huile pour moteur à deux temps de bonne qualité destinée aux moteurs refroidis à l'air. Communiquer avec votre centre de services pour sélectionner l'huile appropriée.



MISE EN GARDE : Ne pas utiliser l'huile pour moteur à deux temps dans des moteurs hors-bord refroidis à l'eau, également appelée huile pour moteur hors-bord. Ne pas utiliser l'huile pour des moteurs à quatre temps.

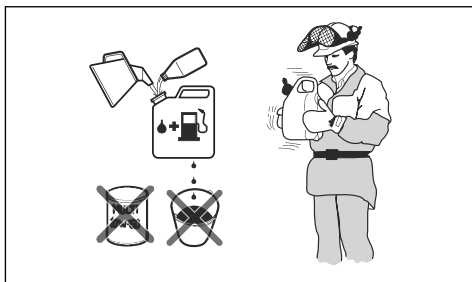
Pour mélanger l'essence et l'huile pour moteur à deux temps

Essence, litre	Huile pour moteur à deux temps, litre
	2 % (50:1)
5	0,10
10	0,20
15	0,30
20	0,40
gallon US	once liquide US
1	2 ½
2 1/2	6 ½
5	12 ⅞



MISE EN GARDE : De petites erreurs peuvent influencer considérablement le ratio de mélange lors du mélange de petites quantités de carburant. Mesurer

soigneusement la quantité d'huile et s'assurer d'obtenir le mélange approprié.



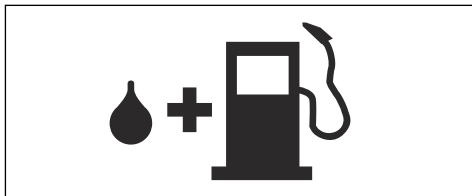
1. Remplir la moitié de la quantité d'essence dans un récipient propre destiné à contenir du carburant.
2. Ajouter la quantité totale d'huile.
3. Agiter le mélange de carburant.
4. Ajouter la quantité restante d'essence dans un récipient.
5. Agiter avec précaution le mélange de carburant.



MISE EN GARDE : Ne pas mélanger le carburant pendant plus de 1 mois à la fois.

Remplissage du réservoir de carburant

1. Nettoyer la zone autour du bouchon du réservoir de carburant.



2. Secouer le bidon et s'assurer que le carburant est complètement mélangé.
3. Serrer fermement le bouchon du réservoir de carburant.
4. Éloigner le produit de 3 m (10 pi) ou plus de la zone de remplissage et de la source de carburant avant de démarrer.

Remarque : Pour connaître l'emplacement du réservoir de carburant sur votre machine, se reporter à *Présentation du produit à la page 32*.

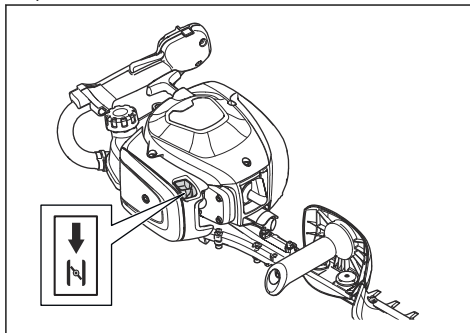
Pour installer le ramasse-feuilles et la protection d'extrémité de lames

1. Retirer les 8 écrous extérieurs des boulons de la lame.

2. Positionner le ramasse-feuilles sur les 8 boulons. Se reporter à *Présentation du produit à la page 32* pour voir où le ramasse-feuilles est positionné sur le produit.
3. Placez la protection sur les 2 boulons à l'extrémité de la lame.
4. Installer les 8 écrous sur les boulons.
5. Serrer les écrous au couple de 7 Nm.

Démarrage du produit quand le moteur est froid

1. Tirer la commande d'étrangleur pour la mettre en position.



2. Appuyer environ 6 fois sur la poire de purge d'air ou jusqu'à ce que le carburant commence à se verser dans la poire. Il n'est pas nécessaire de remplir entièrement la poire de purge d'air.
3. Maintenir l'outil sur le sol à l'aide de la main gauche. Ne pas marcher sur l'outil.
4. Tirer lentement la poignée du câble du lanceur au moyen de la main droite jusqu'à rencontrer une résistance, tirer ensuite la poignée du câble du lanceur rapidement et avec force.



AVERTISSEMENT : Ne pas enrouler la corde du lanceur autour de la main.



MISE EN GARDE : Ne pas tirer complètement le câble du lanceur et ne pas lâcher la poignée du câble du lanceur.

5. Continuer à tirer la poignée de la corde du lanceur jusqu'à ce que le moteur démarre, puis appuyez sur la commande d'étrangleur pour la mettre en position initiale.



AVERTISSEMENT : Les lames tournent quand le moteur démarre.

6. Continuer de tirer sur la poignée du câble du lanceur jusqu'à ce que le moteur démarre.

7. Appuyer sur la gâchette d'accélérateur, puis la relâcher pour régler le moteur au régime de ralenti.
8. Appuyer graduellement sur la gâchette de l'accélérateur pour augmenter le régime du moteur.
9. S'assurer que le moteur tourne de façon régulière.

Démarrage du produit quand le moteur est chaud

1. Maintenir l'outil sur le sol à l'aide de la main gauche. Ne pas marcher sur l'outil.
2. Tirer lentement la poignée du câble du lanceur au moyen de la main droite jusqu'à rencontrer une résistance, tirer ensuite la poignée du câble du lanceur rapidement et avec force. Continuer jusqu'à ce que le moteur démarre.

Remarque : Pour plus d'informations sur le démarrage de la machine, se reporter à la section *Démarrage du produit quand le moteur est froid* à la page 39.

Arrêt de la machine

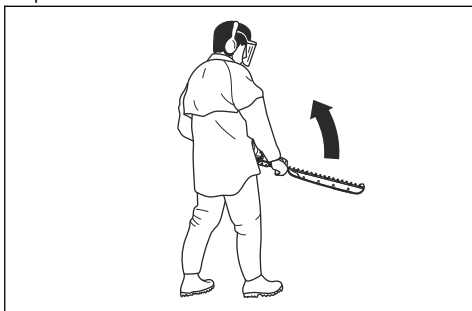
- Déplacer l'interrupteur d'arrêt dans la position d'arrêt pour arrêter le moteur.



MISE EN GARDE : L'interrupteur revient automatiquement à la position de marche.

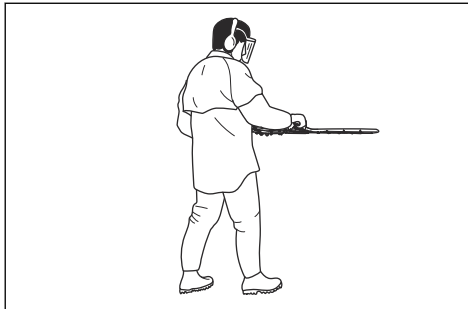
Utilisation de la machine

1. Démarrer à proximité du sol et déplacer le produit en même temps le long de la haie lorsqu'on coupe les côtés. S'assurer que le corps du produit ne touche pas la haie.



AVERTISSEMENT: S'assurer que la partie avant de l'équipement de coupe ne touche pas le sol.

2. Régler la vitesse selon la charge de travail.
3. Tenir le produit à proximité du corps pour obtenir une position de travail stable.



4. Faire attention et utiliser le produit avec soin.

Entretien

Introduction



AVERTISSEMENT: Lire et comprendre le chapitre sur la sécurité avant de faire l'entretien du produit.

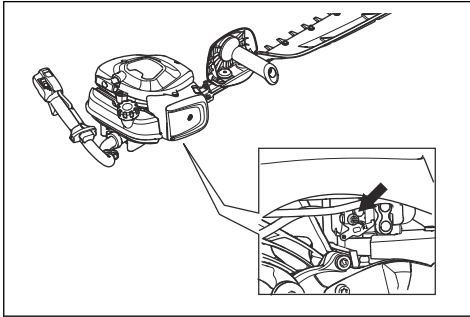
Calendrier d'entretien

Entretien	Avant l'utilisation	Après 40 h	Après 100 h
Nettoyer la surface externe.	Après chaque utilisation		
Nettoyer le silencieux, le tuyau d'échappement et le moteur pour retirer les feuilles, la saleté et les traces de lubrifiant.	Après chaque utilisation		
S'assurer que l'outil de coupe ne tourne pas au régime de ralenti.	X		
Vérifier l'interrupteur d'arrêt, se reporter à <i>Pour vérifier l'interrupteur d'arrêt à la page 36.</i>	X		
Examiner l'outil de coupe et le dispositif de protection de l'outil de coupe pour détecter d'éventuels dommages ou fissures. Le remplacer s'il est endommagé.	X		
Vérifier le dispositif de protection de la main pour détecter d'éventuels dommages et fissures. Le remplacer s'il est endommagé.	X		
Vérifier le dispositif de verrouillage de la gâchette de l'accélérateur et la gâchette de l'accélérateur, se reporter à <i>Pour vérifier le verrouillage de la gâchette de l'accélérateur à la page 36.</i>	X		
Examiner le moteur, le réservoir de carburant et les conduites de carburant pour détecter d'éventuelles fuites.	X		
Serrer les écrous et les vis.	X		
Examiner le filtre à carburant pour voir s'il y a une contamination et le tuyau à carburant pour voir s'il y a des fissures et d'autres défauts. Remplacer au besoin.	X		
Examiner le lanceur et la corde du lanceur pour détecter d'éventuels dommages.		X	
Nettoyer le filtre à air. Les remplacer au besoin.		X	
Vérifier la bougie d'allumage, se reporter à <i>Vérification de la bougie d'allumage à la page 42.</i>		X	
Nettoyer le système de refroidissement.		X	
Nettoyer la surface externe du carburateur et ses zones adjacentes.		X	
Nettoyer ou remplacer le filet pare-étincelles.			X
Nettoyer les surfaces intérieures du réservoir de carburant.			X
Vérifier la bougie d'allumage.			X
Vérifier que le carter est rempli de graisse.			X

Réglage du régime de ralenti

1. Nettoyer le filtre à air et poser le couvercle du filtre à air.
2. Démarrer le produit, voir section *Démarrage du produit quand le moteur est froid à la page 39.*

3. Tourner la vis de réglage du ralenti dans le sens horaire jusqu'à ce que l'équipement de coupe commence à tourner.



4. Tourner la vis de réglage de ralenti dans le sens antihoraire jusqu'à ce que l'outil de coupe s'arrête.



AVERTISSEMENT: Si l'équipement de coupe ne s'arrête pas lors du réglage du régime de ralenti, communiquer avec le fournisseur de services d'entretien le plus proche. Ne pas utiliser le produit jusqu'à ce qu'il soit réglé ou réparé correctement.

Remarque : Le régime de ralenti est adéquat lorsque le moteur fonctionne sans à-coups dans toutes les positions. Se reporter à la section *Données techniques* à la page 44 pour obtenir le régime de ralenti recommandé.

Nettoyage du système de refroidissement

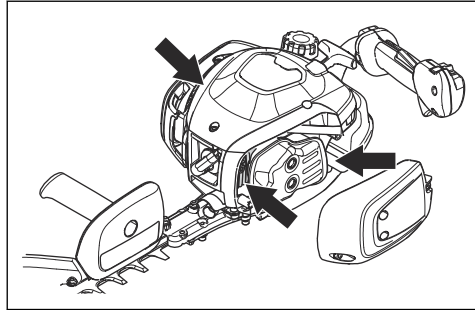
Le système de refroidissement maintient la température du moteur à niveau bas. Le système de refroidissement comprend les ailettes de refroidissement du cylindre et le corps du lanceur.



MISE EN GARDE : La prise d'air entre le réservoir de carburant et le carter moteur est facilement obstruée par les feuilles. Nettoyer la prise d'air complètement.

1. Nettoyer le système de refroidissement au moyen d'une brosse une fois par semaine ou plus fréquemment au besoin.

2. S'assurer que le système de refroidissement n'est pas sale ou obstrué.

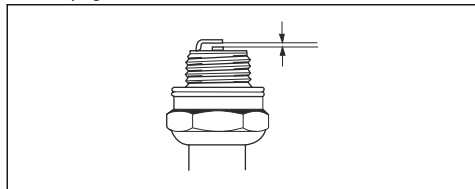


Vérification de la bougie d'allumage



MISE EN GARDE : Toujours utiliser une bougie d'allumage du type recommandé. Une bougie d'allumage de type inapproprié peut endommager le produit.

- Examiner la bougie d'allumage si le moteur manque de puissance, démarre difficilement ou ne fonctionne pas correctement au régime de ralenti.
- Afin de réduire le risque de matériau indésirable sur les électrodes de la bougie, respecter les consignes suivantes :
 - a) Vérifier que le régime de ralenti est réglé de façon adéquate.
 - b) Vérifier que le mélange de carburant est correct.
 - c) Vérifier que le filtre à air est propre.
- Si la bougie d'allumage est sale, la nettoyer et s'assurer que l'écartement des électrodes est correct, se reporter à la section *Données techniques* à la page 44.



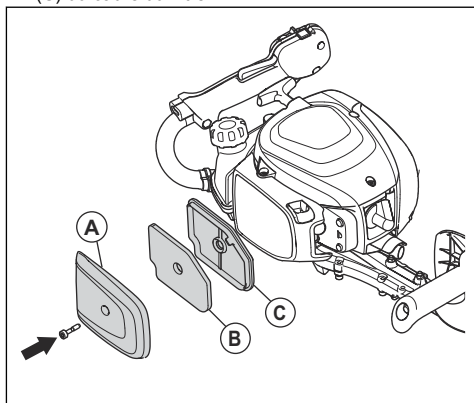
- Remplacer la bougie d'allumage au besoin.

Nettoyage du filtre à air

Éliminer régulièrement la saleté et la poussière du filtre à air. Ceci permet d'éviter un mauvais fonctionnement du carburateur, des problèmes de démarrage, une perte de puissance du moteur, une usure des pièces du moteur et une consommation de carburant plus que d'habitude.

1. Retirer le couvercle du filtre à air (A).

- Déposer le filtre en mousse (B) et le filtre en feutre (C) du cadre du filtre.



- Remplacer le filtre en feutre (C).
- Nettoyer le filtre en mousse (B) à l'eau savonneuse chaude.

Remarque : Un filtre à air utilisé pendant une longue période ne peut être complètement nettoyé. Remplacer régulièrement le filtre à air et toujours remplacer un filtre à air défectueux.

- S'assurer que le filtre en mousse (B) est sec.
- Appliquer de l'huile pour filtre à air sur le filtre en mousse (B). Se reporter à la section *Application de l'huile sur le filtre à air* à la page 43
- Nettoyer la surface intérieure du couvercle du filtre à air (A). Utiliser de l'air comprimé ou une brosse.

Application de l'huile sur le filtre à air



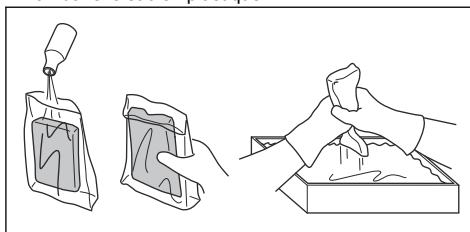
MISE EN GARDE : Toujours utiliser de l'huile Husqvarna pour filtre à air spécial. Ne pas utiliser d'autres types d'huile.



AVERTISSEMENT: Enfiler des gants de protection. L'huile pour filtre à air peut irriter la peau.

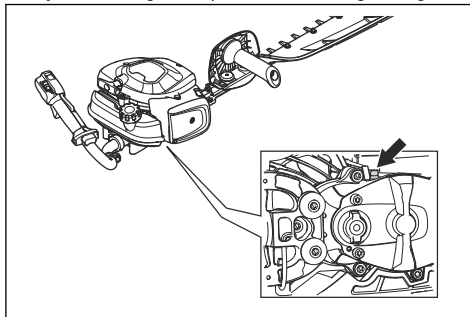
- Placer le filtre à air dans un sac en plastique.
- Placer l'huile dans le sac en plastique.
- Frotter le sac en plastique pour vérifier que l'huile alimente également l'ensemble du filtre à air.

- Pousser l'huile indésirable vers l'extérieur du filtre à air dans le sac en plastique.



Pour lubrifier le carter d'engrenage

- Utiliser de la graisse spéciale Husqvarna. Pour obtenir de plus amples renseignements sur la graisse recommandée, communiquer avec votre centre de services.
- Ajouter de la graisse par le raccord de graissage.



MISE EN GARDE : Ne pas remplir complètement le carter d'engrenage.

Pour nettoyer et lubrifier les lames

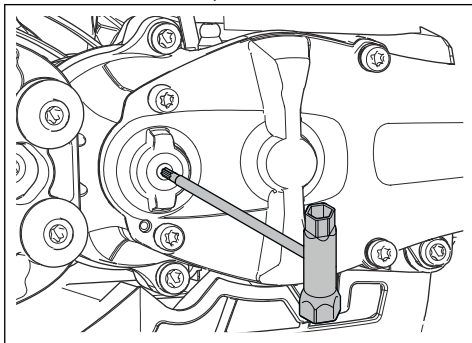
- Nettoyer les lames de tout matériau indésirable avant et après l'utilisation du produit.
- Lubrifier les lames avant une longue période de remisage.

Remarque : Pour obtenir de plus amples renseignements sur les lubrifiants et les produits de nettoyage recommandés, communiquer avec votre centre de services.

Pour examiner les lames

- Retirer le couvercle du carter d'engrenage.

- Vérifier que les lames bougent librement. Placer la clé mixte dans le carter d'engrenage et la tourner dans le sens horaire, puis dans le sens antihoraire.



- Examiner les bords des lames à la recherche de dommages et de déformation.
- Retirer les bavures sur les lames à l'aide d'une lime.
- Retirer le couvercle du carter d'engrenage.

Transport, entreposage et mise au rebut

Transport et entreposage

- Toujours laisser l'appareil refroidir avant de l'entreposer.
- Pour le stockage et le transport du produit et du carburant, s'assurer qu'il n'y a pas de fuite ou de vapeur. Les étincelles ou les flammes nues, par exemple avec des appareils électriques ou des chaudières, peuvent déclencher un incendie.
- Utiliser toujours des contenants agréés pour entreposer ou transporter le carburant.
- Vider les réservoirs de carburant avant tout transport ou remisage pendant une période prolongée. Mettre

au rebut le carburant à un emplacement de mise au rebut adéquat.

- Fixer la protection de transport pendant le transport et le stockage.
- Retirer le chapeau de la bougie.
- Fixer le produit pendant le transport. S'assurer qu'il ne puisse pas bouger.
- Nettoyer et entretenir le produit avant de le remettre pour une période prolongée.

Données techniques

Données techniques

	522HS75S
Moteur	
Cylindrée, po ³ /cm ³	1,32/21,7
Régime de ralenti, tr/min	3 000
Régime maximal recommandé, tr/min	9 200
Puissance max. du moteur, conformément à la norme ISO 8893, kW/hp à tr/min	0,6/0,8 @ 7 800
Silencieux du pot catalytique	Oui
Système d'allumage	
Bougie d'allumage	NGK CMR6A
Écartement des électrodes, po/mm	0,02/0,5

	522HS75S
Carburant	
Capacité du réservoir de carburant, pte US/ l	0,95/0,45
Poids	
Sans carburant, lb/kg	11,2/5,1
Lames	
Type	Une seule face
Longueur, po/mm	29,5/750
Vitesse de lame, coupes/min	4 400

Garantie

DÉCLARATION DE GARANTIE DU SYSTÈME DE CONTRÔLE DES ÉMISSIONS PAR ÉVAPORATION DU GOUVERNEMENT FÉDÉRAL AMÉRICAIN, DE LA CALIFORNIE ET DU CANADA

Remarque : La présente annexe est destinée principalement aux clients ou aux utilisateurs occasionnels.

IMPORTANT : Le présent produit est conforme à la réglementation de la Phase 3 de l'Environmental Protection Agency (EPA) des États-Unis en ce qui concerne les émissions d'échappement et d'évaporation. Pour assurer la conformité à la Phase 3 de l'EPA, nous recommandons le recours à des pièces de remplacement d'origine Husqvarna uniquement. L'utilisation de pièces de remplacement non conformes est une infraction à la législation fédérale.

VOS DROITS ET OBLIGATIONS EN VERTU DE LA GARANTIE

L'EPA (Environmental Protection Agency, l'agence de protection de l'environnement des États-Unis), le CARB (California Air Resources Board : direction des ressources atmosphériques de Californie), Environnement Canada et Husqvarna Forest & Garden sont heureux de détailler pour vous la garantie du système de contrôle des émissions par évaporation de votre petit moteur hors route 2019-2020. En Californie, l'équipement neuf équipé d'un petit moteur hors-route doit être conçu, fabriqué et équipé de manière à répondre aux strictes normes antipollution de l'État. Husqvarna Forest & Garden doit garantir les systèmes de contrôle antipollution de votre petit moteur hors route pendant les périodes figurant sur la liste ci-dessous à condition que votre petit moteur hors route ou tout autre équipement ne présente aucun signe d'abus, de négligence ou d'entretien inapproprié menant à la défaillance du système de contrôle des émissions. Votre système de contrôle antipollution peut comprendre des pièces telles qu'un carburateur, un système d'injection de carburant, un système d'allumage, un pot catalytique, des réservoirs de carburant, des conduites de carburant (pour le carburant et les vapeurs de carburant), des bouchons de réservoir de carburant, des soupapes, des absorbeurs, des filtres, des pinces et d'autres composants associés reliés aux émissions. Il peut aussi comprendre des flexibles, de courroies, des raccords et d'autres pièces liées aux émissions. En cas de problème couvert par la garantie, Husqvarna Forest & Garden répare votre petit moteur hors route sans frais, diagnostic, pièces et main-d'œuvre compris.

COUVERTURE DE LA GARANTIE DU FABRICANT

Le système de contrôle des émissions par évaporation pour petit moteur hors route est garanti deux ans. Si une pièce de votre petit moteur hors route liée aux émissions est défectueuse, elle doit alors être réparée ou remplacée par Husqvarna Forest & Garden.

RESPONSABILITÉS DU PROPRIÉTAIRE EN VERTU DE LA GARANTIE

- En tant que propriétaire d'un petit moteur hors route, vous êtes responsable de respecter l'entretien obligatoire indiqué dans le manuel de l'utilisateur. Husqvarna Forest & Garden recommande de conserver tous les reçus relatifs à l'entretien de votre petit moteur hors route, mais Husqvarna Forest & Garden ne peut pas refuser l'application de la garantie pour la seule raison de l'absence de reçu ou du non respect de l'entretien obligatoire prévu.
- En tant que propriétaire d'un petit moteur hors route, vous devez savoir que Husqvarna Forest & Garden peut vous refuser la couverture de la garantie si votre petit moteur hors route ou une pièce est défaillant en raison d'un abus, de négligence, d'un entretien inapproprié ou de modifications non approuvées.
- Vous avez la responsabilité de présenter votre petit moteur hors route au service technique ou au centre de distribution de Husqvarna Forest & Garden dès qu'un problème se manifeste. Les réparations couvertes par la garantie doivent être effectuées dans un délai raisonnable qui n'excède pas 30 jours. Pour toute question relative à vos droits et responsabilités relativement à votre garantie, communiquer avec Husqvarna Forest & Garden aux ÉTATS-UNIS au 1-800-487-5951 ou aux CANADA au 1-800-805-5523, ou alors envoyer un courriel à l'adresse emissions@husqvarnagroup.com.

DATE D'ENTRÉE EN VIGUEUR DE LA GARANTIE

La période de garantie commence à la date à laquelle le moteur ou le matériel est livré au dernier acheteur.

DURÉE DE LA COUVERTURE

Husqvarna Forest & Garden garantit au dernier acheteur et à chacun des propriétaires suivants que le petit moteur ou l'équipement hors route a été conçu, construit et équipé dans le respect de toutes les réglementations applicables édictées par l'EPA et le CARB et est exempt de tout défaut matériel ou de fabrication pouvant provoquer la panne d'une pièce garantie pendant une période de deux ans.

ÉLÉMENTS COUVERTS

RÉPARATION OU REMPLACEMENT DES PIÈCES :

La réparation ou le remplacement de toute pièce garantie en vertu de la garantie doit être effectué sans frais pour le propriétaire dans un centre de garantie. Les réparations ou l'entretien en vertu de la garantie sont assurés par tous les centres de distribution de

Husqvarna Forest & Garden franchisés pour réparer les moteurs en question. Pendant toute la période de garantie antipollution de deux ans, Husqvarna Forest & Garden doit conserver un stock suffisant de pièces garanties pour satisfaire la demande prévue de telles pièces.

PÉRIODE DE GARANTIE : Toute pièce garantie dont le remplacement est prévu par le calendrier d'entretien obligatoire est garantie pendant l'intégralité de la période de garantie précédant la date du premier remplacement prévu de la pièce. Si la pièce tombe en panne avant son premier remplacement prévu, elle est réparée ou remplacée sans frais par Husqvarna Forest & Garden. Toute pièce ainsi réparée ou remplacée en vertu de la garantie est garantie pendant la période restante avant la date de son premier remplacement prévu. Toute pièce garantie dont le remplacement n'est pas prévu par le calendrier d'entretien obligatoire est garantie pendant deux ans. Si une telle pièce tombe en panne pendant la période de couverture de la garantie, elle est réparée ou remplacée sans frais par Husqvarna Forest & Garden. Toute pièce ainsi réparée ou remplacée en vertu de la garantie est garantie pour la période de garantie restante. Toute pièce garantie dont l'inspection régulière est prévue dans le calendrier d'entretien est garantie pendant deux ans. La présence dans ces instructions écrites d'une éventuelle mention de type « réparer ou remplacer si nécessaire » n'a pas pour effet de réduire la durée de la période de la couverture de la garantie. Toute pièce ainsi réparée ou remplacée en vertu de la garantie est garantie pour la période de garantie restante.

DIAGNOSTIC : Le propriétaire n'a pas à payer pour le diagnostic permettant de conclure que la pièce garantie est défectueuse, à condition qu'un tel diagnostic soit effectué dans un centre de garantie.

DOMMAGES CONSÉCUTIFS : Husqvarna Forest & Garden peut être tenue responsable des dommages aux autres composants du moteur directement causés par la panne garantie d'une pièce garantie.

LISTE DES PIÈCES DE LA GARANTIE ANTIPOLLUTION

1. Carburateur et pièces internes.
2. Conduit de départ, support du filtre à air et boulons du carburateur
3. Filtres à air et à carburant couverts dans la limite du calendrier d'entretien
4. Bougies d'allumage couvertes dans la limite du calendrier d'entretien.
5. Module d'allumage.
6. Réservoir de carburant, conduite de carburant (pour carburant et vapeurs de carburant) et bouchon du réservoir de carburant.

ÉLÉMENTS NON COUVERTS

Toutes les pannes dues à un abus, à de la négligence ou à un entretien inadéquat ne sont pas couvertes.

PIÈCES COMPLÉMENTAIRES OU MODIFIÉES

Aucune pièce complémentaire ou modifiée non affranchie par la CARB ou l'EPA ne peut être utilisée. L'utilisation de pièces complémentaires ou modifiées non affranchies est un motif suffisant pour rejeter une demande d'indemnisation. Husqvarna Forest & Garden n'a pas la responsabilité de garantir les pannes de pièces garanties provoquées par l'utilisation d'une pièce complémentaire ou modifiée non affranchie.

COMMENT PRÉSENTER UNE DEMANDE D'INDEMNISATION

Pour toute question relative à vos droits et responsabilités relativement à la garantie, communiquer avec le centre de services agréé le plus proche, appeler Husqvarna Forest & Garden aux ÉTATS-UNIS au 1-800-487-5951, au CANADA au 1-800-805-5523, ou bien envoyer un courriel à l'adresse emissions@husqvarnagroup.com.

OÙ JOINDRE LE SERVICE DE GARANTIE?

Les services de garantie ou de réparation sont assurés par tous les ateliers d'entretien Husqvarna Forest & Garden agréés.

ENTRETIEN, REMPLACEMENT ET RÉPARATION DES PIÈCES RELATIVES AUX ÉMISSIONS

Toute pièce de remplacement peut être utilisée pour procéder à un entretien ou à une réparation sous garantie et doit être fournie sans frais pour le propriétaire. Un tel remplacement n'a pas pour effet de réduire les obligations du fabricant relativement à la garantie.

ATTESTATION D'ENTRETIEN

Le propriétaire a la responsabilité de respecter l'entretien obligatoire défini dans le manuel de l'utilisateur.

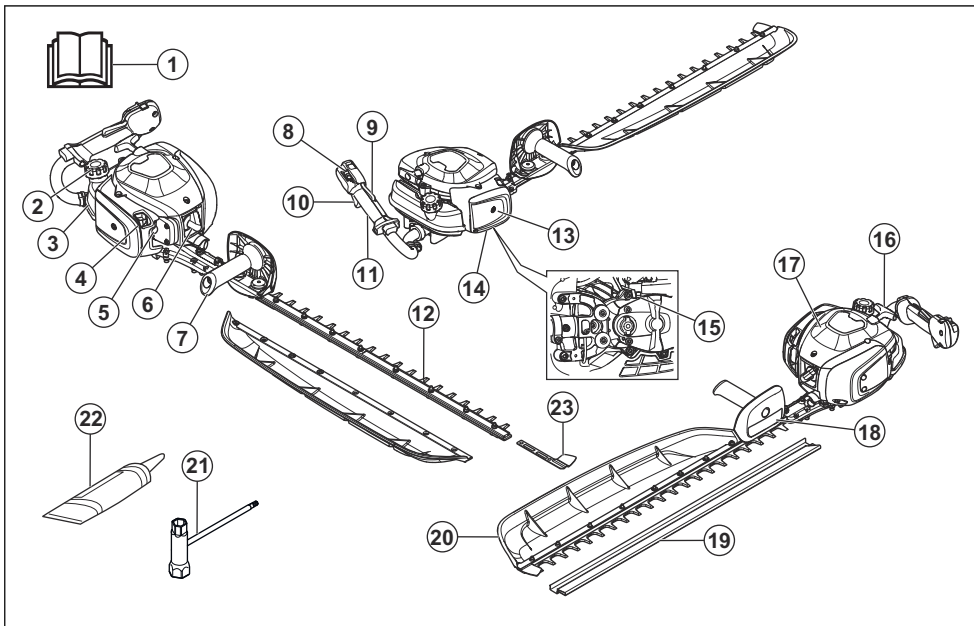
*L'année modèle courante et suivante sera mise à jour annuellement dans la déclaration de garantie fournie au consommateur. Par exemple, 2012-2013 sera spécifié pour l'année modèle 2012.

Conteúdo

Introdução.....	48	Transporte, armazenamento e descarte.....	59
Segurança.....	49	Dados técnicos.....	60
OPERAÇÃO.....	54	garantia.....	61
Manutenção.....	56		

Introdução

Visão geral do produto



- | | |
|--|---------------------------------|
| 1. Manual do operador | 16. Alça da corda de arranque |
| 2. Tampa do tanque de combustível | 17. Tampa do cilindro |
| 3. Reservatório de combustível | 18. Proteção das mãos |
| 4. Estrangulador | 19. Protetor para transporte |
| 5. Bulbo da bomba de combustível | 20. Coletor de folhas |
| 6. Capa da vela de ignição e vela de ignição | 21. Chave combinada |
| 7. Alça dianteira | 22. Tubo de massa lubrificante |
| 8. Interruptor de parada | 23. Proteção da ponta da lâmina |
| 9. Trava do acelerador | |
| 10. Acelerador | |
| 11. Punho traseiro | |
| 12. Disco | |
| 13. Tampa do filtro de ar | |
| 14. Caixa de engrenagens | |
| 15. Pino graxeiro | |

Descrição do produto

O produto é um aparador de cerca viva com um motor de combustível.

Uso previsto

Utilize o produto para cortar ramos e galhos. Não use o produto para outras tarefas.

Símbolos no produto



AVISO! Este produto é perigoso. Ferimentos graves ou morte podem ocorrer ao operador ou a terceiros se o produto não for utilizado com cuidado e corretamente. Para evitar ferimentos ao operador ou a terceiros, leia e respeite todas as instruções de segurança no manual do usuário.



Leia o manual do operador e certifique-se de que tenha entendido as instruções antes de usar.



Use protetores acústicos e proteção ocular aprovados.



Use luvas de proteção aprovadas.



Sempre use botas antiaderentes e resistentes.

yyyywwxxxx

A plaqueta de classificação mostra o número de série. **yyyy** é o ano de produção e **ww** é a semana de produção.

Observação: Outros símbolos/decalques presentes no produto referem-se a exigências de certificação para mercados específicos.

California Proposition 65



WARNING

The engine exhaust from this product contains chemicals known to the State of California to cause cancer, birth defects or other reproductive harm.

EPA III

EMISSION CONTROL INFORMATION



Husqvarna

HUSQVARNA AB HUSKVARNA SWEDEN

THIS ENGINE MEETS U.S. EPA AND CALIFORNIA EXH/EVP REGS FOR [REDACTED] SORE. REFER TO OPERATOR'S MANUAL FOR MAINTENANCE SPECIFICATIONS AND ADJUSTMENTS. EMISSIONS COMPLIANCE PERIOD: [REDACTED]

O Período de Conformidade de Emissões mencionado na etiqueta Conformidade de Emissões indica o número de horas de operação durante as quais o motor atendeu aos requisitos de emissões federais dos EUA e da Califórnia.

Assistência ao cliente

Para assistência ao cliente, ligue: 1-800-487-5951 ou visite www.husqvarna.com.

Segurança

Definições de segurança

Avisos, cuidados e observações são utilizados para chamar a atenção para partes especialmente importantes do manual.



AVISO: Utilizado se existir um risco de ferimentos ou morte para o operador ou a terceiros se as instruções no manual não forem respeitadas.



CUIDADO: Utilizado se existir um risco de danos para o produto, outros materiais ou para a área adjacente, se as instruções no manual não forem respeitadas.

Observação: Utilizados para conferir mais informações necessárias em uma determinada situação.

Instruções gerais de segurança



AVISO: Antes de usar o produto, leia as instruções de aviso que seguem.

- A utilização incorreta ou descuidada de um aparelho de cerca viva pode transformá-lo em um objeto perigoso que pode causar ferimentos graves ou até mesmo ferimentos mortais. É extremamente importante ler e compreender o conteúdo deste manual do operador.
- Este produto produz um campo eletromagnético durante a operação. Sob certas circunstâncias esse campo poderá interferir com implantes médicos de natureza ativa ou passiva. Para reduzir o risco de lesões graves ou fatais, recomendamos que as pessoas que tenham implantes médicos consultem seu médico e o fabricante do implante antes de operar este produto.
- A sobre-exposição à vibração pode causar danos circulatórios ou nervosos em pessoas com problemas de circulação. Entre em contato com o seu médico se sentir sintomas de sobre-exposição à vibração. Esses sintomas são dormência, perda de sensibilidade, formigamento, comichão, dor, perda de força, alterações na cor ou na condição da pele. Estes sintomas normalmente aparecem nos dedos, nas mãos ou nos pulsos. O risco aumenta a baixas temperaturas.
- Caso tenha dúvidas na operação da máquina, peça ajuda a um especialista. Contate o seu fornecedor ou oficina. Evite todas as situações que você considere serem além da sua capacidade.
- Tenha em mente que o operador é responsável por acidentes e situações que possam representar perigo para terceiros ou à sua propriedade.
- Nunca permita que outra pessoa use o produto sem estar certo de que compreendeu o conteúdo do manual do operador.
- Nunca permita que crianças utilizem ou permaneçam nas proximidades do produto. Como o produto está equipado com um interruptor de parada com mola e pode ser iniciado a baixa velocidade e força no punho de arranque, mesmo crianças pequenas em algumas circunstâncias podem produzir a força necessária para iniciar o produto. Isso pode implicar um risco de ferimentos pessoais graves. Por isso, retire a tampa da vela de ignição quando o produto não estiver sob supervisão rigorosa.

- Armazene o produto fora do alcance das crianças.
- Nunca use o produto se estiver cansado, tiver ingerido bebida alcoólica ou se estiver tomando medicamento que possa afetar sua visão, suas capacidades mentais e sua coordenação.
- Nunca utilize um produto se estiver com defeito. Siga as instruções de verificação, manutenção e serviço descritas neste manual. Algumas medidas de manutenção e serviço devem ser efetuadas por especialistas treinados e qualificados. Consulte as instruções na seção Manutenção.
- Nunca use um produto que foi modificado de qualquer forma de sua especificação original.

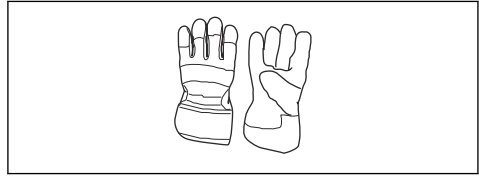
Instruções de segurança para operação



AVISO: Antes de usar o produto, leia as instruções de aviso que seguem.

- Nunca use o produto em condições climáticas extremas, tais como frio muito intenso ou tempo muito quente e/ou úmido.
- Lâminas defeituosas podem aumentar o risco de acidentes.
- Certifique-se de que estar a uma distância de 15 m / 50 m quando estiver trabalhando.
- Observe seus arredores e certifique-se de que não haja o risco de as pessoas ou animais entrarem em contato com o equipamento de corte.
- Inspecione a área de trabalho. Remova quaisquer objetos que possam ser arremessados.
- Certifique-se sempre de que existe uma posição de trabalho segura e estável.
- Nunca deixe o produto sem supervisão com o motor em funcionamento.
- Certifique-se de que as mãos e os pés não se aproximem do equipamento de corte quando o motor estiver ligado.
- Se alguma coisa ficar presa nas lâminas durante o funcionamento do produto, desligue o motor e aguarde até que o motor esteja totalmente parado antes de limpar as lâminas. Desconecte o cabo de alta tensão da vela de ignição. Consulte *Para examinar os discos na página 59*.
- Quando o motor estiver desligado, mantenha as mãos e os pés afastados do equipamento de corte até que o motor esteja totalmente parado.
- Cuidado com os tocos de galhos que podem ser arremessados durante o corte.
- Você deverá escutar sinais de aviso ou gritos quando estiver usando a proteção auricular. Sempre remova sua proteção auricular assim que o motor parar.
- Nunca trabalhe em escadas, banquetas ou qualquer outra posição elevada que não esteja totalmente segura.

- Use sempre ambas as mãos para segurar o produto. Segure o produto à frente do seu corpo.
- Se qualquer objeto estranho for atingido ou se ocorrer vibração, pare o produto imediatamente. Desconecte o cabo de alta tensão da vela de ignição. Verifique se o produto não está danificado. Repare quaisquer danos.
- Verifique se a tampa da vela de ignição e o cabo de ignição estão em bom estado para evitar o risco de choque elétrico.
- Verifique se as porcas e parafusos estão apertados.
- Certifique-se de que a caixa de engrenagem está corretamente lubrificada. Consulte *Para lubrificar a caixa de engrenagem na página 59*.
- A caixa de engrenagem fica quente quando o produto é utilizado. Para evitar queimaduras não toque na caixa de engrenagem.
- Todas as tampas e proteções devem estar fixadas antes do arranque.
- A proteção para transporte deve sempre estar fixada ao equipamento de corte quando o produto não estiver em uso.



- Botas ou sapatos resistentes e antiderrapantes.



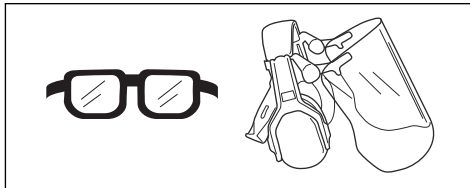
- Use roupas de um tecido resistente. Use sempre calças compridas e resistentes e mangas compridas. Não use roupas largas que possam ficar presas em galhos e ramos. Não use joias, calças curtas e sandálias e não ande descalço. Prenda o cabelo de forma segura acima dos ombros.
- Mantenha o equipamento de primeiros socorros perto de você.

Equipamento de Proteção Individual



AVISO: Antes de usar o produto, leia as instruções de aviso que seguem.

- Utilize equipamentos de proteção individual aprovados quando usar o produto. O equipamento de proteção individual não evita totalmente ferimentos, mas diminui o grau do ferimento em caso de acidente. Deixe seu revendedor ajudar você a escolher o equipamento certo.
- Use protetores acústicos aprovados que forneçam redução de ruído adequada. A exposição prolongada a ruídos pode resultar em danos permanentes à audição.
- Use proteção ocular aprovada. Se usar uma viseira, você deverá também usar óculos de proteção aprovados. Os óculos de proteção aprovados devem estar em conformidade com a norma ANSI Z87.1 nos EUA ou EN 166 nos países europeus.



- Use luvas quando necessário, por exemplo, ao ligar, examinar ou limpar o equipamento de corte.



Dispositivos de segurança no produto

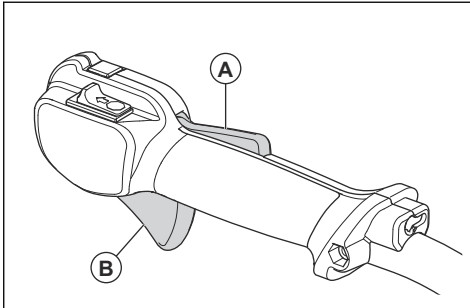


AVISO: Antes de usar o produto, leia as instruções de aviso que seguem.

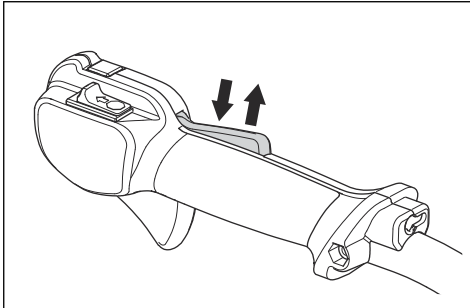
- Não use o produto com dispositivos de segurança com defeito.
- Verifique os dispositivos de segurança regularmente. Se os dispositivos de segurança estiverem com defeito, entre em contato sua Husqvarna oficina autorizada.

Para fazer uma verificação da trava do acelerador

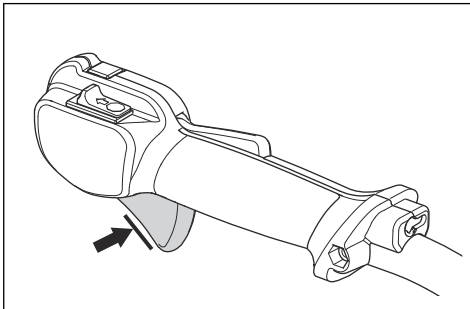
1. Certifique-se de que a trava do acelerador (A) e o acelerador (B) se movem livremente e as molas de retorno funcionam corretamente.



2. Empurre a trava do acelerador e certifique-se de que ela volta à posição inicial ao liberá-la.



3. Certifique-se de que o acelerador esteja travado na posição de marcha lenta quando a trava do acelerador é liberada.



4. Dê partida no produto e aplique aceleração total.
5. Solte o acelerador e certifique-se de que os discos param e permaneceram imóveis.



AVISO: Se os discos se moverem quando o acelerador estiver na posição de marcha lenta, a rotação em vazio do carburador deve ser ajustada. Consulte

*Para ajustar a marcha lenta
página 57.*

Para fazer uma verificação do interruptor de parada

1. Dê a partida no motor.
2. Mova o interruptor de parada para a posição STOP e certifique-se de que o motor seja interrompido.



AVISO: O interruptor de parada volta automaticamente à posição inicial. Para evitar o arranque acidental, retire a vela de ignição da vela de ignição quando montar ou efetuar a manutenção do produto.

Para fazer uma verificação da proteção das mãos

A proteção das mãos evita ferimentos provenientes das lâminas.

1. Pare o motor.
2. Certifique-se de que a proteção das mãos esteja presa corretamente.
3. Examine a proteção das mãos à procura de danos.

Para fazer uma verificação do silenciador



AVISO: Não utilize o produto sem um silenciador ou com um silenciador com defeito. Um silenciador com defeito aumenta o nível de ruído e o risco de incêndio. Não utilize o produto sem ou com uma rede retentora de faíscas danificada. A rede retentora de faíscas deve ser substituída se estiver danificada.



AVISO: Os silenciadores ficam extremamente quentes durante e após a utilização, também à marcha lenta.



CUIDADO: Se a rede retentora de faíscas ficar frequentemente entupida, isso pode ser um sinal da diminuição do desempenho do conversor catalítico. Entre em contato com o seu revendedor autorizado para verificar o silenciador. Uma rede retentora de faíscas obstruída provoca sobreaquecimento e resulta em danos para o cilindro e o pistão.

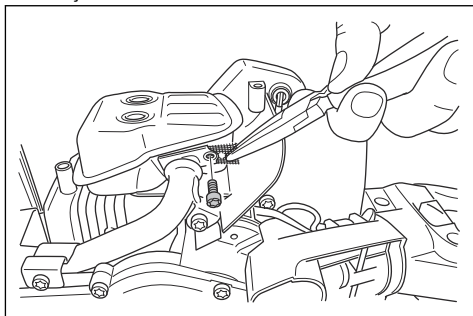


AVISO: As superfícies internas do silenciador contêm químicos que podem provocar câncer. Tenha cuidado para não tocar nesses elementos se o silenciador estiver danificado.

O silenciador mantém os níveis de ruído em um nível mínimo e desvia os gases de escape para longe do

operador. Um silenciador com conversor catalítico reduz os gases de escape perigosos.

1. Pare o motor.
2. Faça uma verificação visual quanto a danos e deformações.
3. Certifique-se de que o silenciador esteja fixado ao produto.
4. Limpe a rede retentora de faíscas com uma escova de aço.



Para fazer uma verificação da lâmina de corte e protecção da lâmina

A parte exterior das lâminas tem a função desejada para uma protecção da lâmina. A protecção da lâmina evita corte ferimentos.

1. Desligue o motor e certifique-se de que o equipamento de corte seja interrompido.
2. Remova a cobertura da vela de ignição da vela de ignição.
3. Coloque as luvas de protecção.
4. Certifique-se de que as lâminas de corte e de protecção não estejam danificadas ou amassadas. Substitua sempre uma danificados ou dobrados, ou uma lâmina danificada protecção.
5. Certifique-se de que os parafusos com as lâminas e a protecção da lâmina estão bem apertados.

Segurança do combustível



AVISO: Antes de usar o produto, leia as instruções de aviso que seguem.

- Não ligue o produto se houver combustível ou óleo de motor sobre ele. Remova o combustível/óleo indesejado e deixe o produto secar.
- Se você derramar combustível em sua roupa, troque as roupas imediatamente.
- Não deixe combustível cair no seu corpo, ele pode causar lesões. Se você derramar combustível no seu corpo, use sabão e água para removê-lo.

- Não ligue o produto se o motor tiver um vazamento. Examine o motor à procura de vazamentos regularmente.
- Tome cuidado com o combustível. Combustível é inflamável e os vapores são explosivos e podem causar lesões ou morte.
- Não inspire os vapores de combustível, eles podem causar lesões. Certifique-se de que haja fluxo de ar suficiente.
- Não fume nas proximidades do combustível ou do motor.
- Não coloque objetos quentes nas proximidades do combustível ou do motor.
- Não adicione combustível quando o motor estiver ligado.
- Certifique-se de que o motor esteja frio antes de reabastecer.
- Antes de reabastecer, abra a tampa do tanque de combustível lentamente e libere a pressão cuidadosamente.
- Não adicione combustível ao motor em uma área coberta. Um fluxo de ar insuficiente pode causar ferimentos ou morte por asfixia ou monóxido de carbono.
- Aperte a tampa do tanque de combustível. Se a tampa do tanque de combustível não estiver apertada, há um risco de incêndio.
- Mova o produto para um mínimo de 3 m (10 pés) da posição na qual você abasteceu o tanque antes de ligar o motor.
- Não encha o tanque de combustível completamente. Calor faz com que o combustível para expandir. Mantenha um espaço na parte superior do depósito de combustível.

Instruções de segurança para manutenção



AVISO: Antes de usar o produto, leia as instruções de aviso que seguem.

- Desligue o motor e certifique-se de que o equipamento de corte seja interrompido. Deixe que o produto ficar frio antes de proceder à manutenção.
- Remova a tampa da vela de ignição antes de efetuar a manutenção.
- Os gases de escape do motor contém monóxido de carbono, um gás inodoro, tóxico e muito perigoso, que pode causar morte. Não use o produto em ambientes internos ou fechados.
- Os gases de escape do motor são quentes e podem conter faíscas. Não ligue o produto em um ambiente interno ou próximo de material inflamável.
- Acessórios e alterações no produto não aprovados pelo fabricante podem causar ferimentos graves ou morte. Não modifique o produto. Use sempre acessórios originais.

- Se a manutenção não for feita correta e regularmente, o risco de ferimentos e danos ao produto aumenta.
- Faça a manutenção somente como indicado no manual do operador. Deixe que uma oficina autorizada Husqvarna faça todas as outras operações de manutenção.

- Leve o produto regularmente a uma Husqvarna oficina autorizada.
- Substitua peças danificadas, desgastadas ou quebradas.

OPERAÇÃO

Introdução



AVISO: Leia e compreenda o capítulo sobre segurança antes de usar o produto.

Combustível

Este produto tem um motor de dois tempos.



CUIDADO: O tipo incorreto de combustível pode resultar em danos ao motor. Use uma mistura de gasolina e óleo para motor de dois tempos.

Combustível pré-misturado

- Use Husqvarna combustível alquilado pré-misturado de boa qualidade para obter o melhor desempenho e extensão da vida útil do motor. O combustível contém menos substâncias perigosas em comparação com o combustível normal, o que reduz os perigosos gases de escape. A quantidade de resíduos após a combustão é menor com esse combustível, o que mantém os componentes do motor mais limpos.

Para misturar o combustível

Gasolina

- Utilize gasolina de qualidade com gasolina sem chumbo com um máximo de 10% de etanol.



CUIDADO: Não use gasolina com octanagem menor que 90 RON/87 AKI. A utilização de um índice de octano inferior pode causar batimento do motor, causando danos no motor.

- Por isso aconselhamos que use gasolina com um índice de octano mais alto para trabalhar com continuamente a rotações altas.

Óleo para motor de dois tempos

- Para obter melhores resultados e desempenho, use Husqvarna óleo de dois tempos.
- Se o óleo para motor de dois tempos Husqvarna não estiver disponível, você pode usar outro óleo dois tempos de boa qualidade destinado a motores

refrigerados a ar. Fale com seu revendedor para selecionar o óleo correto.



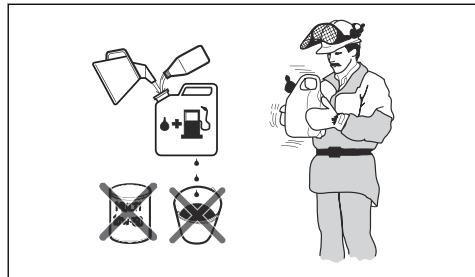
CUIDADO: Não use óleo de dois tempos para motores refrigerados a água, também conhecido como óleo para motor de popa. Não use óleo para motores de quatro tempos.

Para misturar gasolina e óleo de dois tempos

Gasolina, litro	Óleo para motor de dois tempos, litro
	2% (50:1)
5	0,10
10	0,20
15	0,30
20	0,40
Galão EUA	fl. oz. EUA
1	2 ½
2 1/2	6 ½
5	12 ¾



CUIDADO: Pequenos erros podem influenciar drasticamente a proporção da mistura quando você mistura pequenas quantidades de combustível. Meça a quantidade de óleo cuidadosamente e certifique-se de obter a mistura correta.



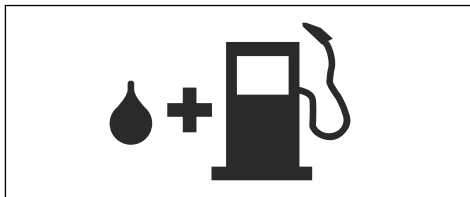
1. Encha metade da quantidade de gasolina em um recipiente limpo para combustível.
2. Adicione a quantidade total de óleo.
3. Mexa a mistura de combustível.
4. Adicione a quantidade restante de gasolina ao recipiente.
5. Mexa a mistura de combustível com cuidado.



CUIDADO: Não misture combustível por mais de 1 mês de cada vez.

Abastecer o reservatório de combustível

1. Limpe a área ao redor da tampa do tanque de combustível.



2. Agite ligeiramente o recipiente e certifique-se de que o combustível é misturado totalmente.
3. Aperte a tampa do tanque de combustível.
4. Mova o produto 3 m/10 ft ou mais longe do local de abastecimento de combustível e fonte de alimentação antes de ligar.

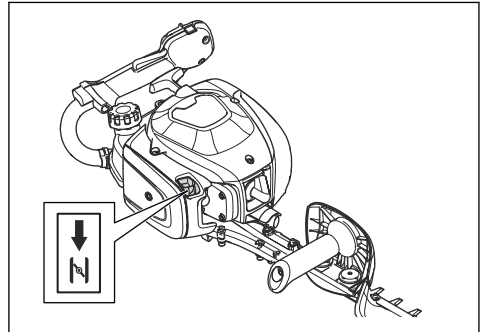
Observação: Para ver os locais onde o depósito de combustível se encontra no seu produto, consulte *Visão geral do produtona página48*.

Para instalar o coletor de folhas e a proteção da ponta da lâmina

1. Remova as 8 porcas externas dos parafusos da lâmina.
2. Coloque o coletor de folhas nos 8 parafusos. Consulte *Visão geral do produtona página48* para ver onde está o coletor de folhas no produto.
3. Coloque a proteção da ponta da lâmina nos 2 parafusos na ponta da lâmina.
4. Instale as 8 porcas nos parafusos.
5. Aperte as porcas com um torque de 7 Nm.

Para dar a partida no produto com o motor frio

1. Posicione o controle do afogador na posição de afogamento.



2. Empurre o bulbo da bomba de combustível por cerca de 6 vezes ou até que o bulbo comece a encher com combustível. Não é necessário encher o bulbo da bomba de combustível completamente.
3. Segure o corpo do produto sobre o solo com a sua mão esquerda. Não pise no produto.
4. Puxe a alça da corda de arranque lentamente com a mão direita até sentir resistência e, em seguida puxe a alça da corda de arranque rapidamente e com força.



AVISO: Não enrole a corda de arranque ao redor de sua mão.



CUIDADO: Não puxe a corda de arranque por completo e não solte a alça da corda de arranque.

5. Continue a puxar a alça da corda de arranque até o motor ser acionado e, em seguida, empurre o controle do afogador para sua posição inicial.



AVISO: As lâminas se movem ao dar partida no motor.

6. Continue a puxar a alça da corda de arranque até o motor entrar em funcionamento.
7. Empurre e solte o acelerador para ajustar o motor para marcha lenta.
8. Empurre o acelerador gradualmente para aumentar a velocidade do motor.
9. Certifique-se de que o motor esteja funcionando normalmente.

Para dar a partida no produto com o motor quente, consulte

1. Segure o corpo do produto sobre o solo com a sua mão esquerda. Não pise no produto.
2. Puxe a alça da corda de arranque lentamente com a mão direita até sentir resistência e, em seguida puxe a alça da corda de arranque rapidamente e com força. Continue a puxar até o motor começar a funcionar.

Observação: Para mais informações sobre como ligar o produto, consulte a *Para dar a partida no produto com o motor fria* na página 55.

Para parar o produto

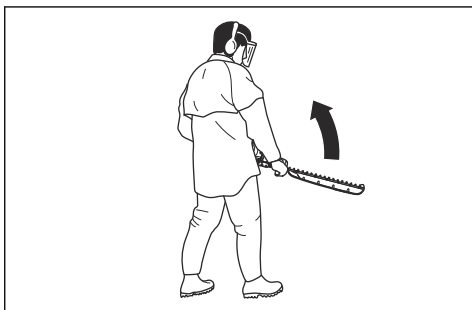
- Mova o interruptor de parada para a posição STOP para parar o motor.



CUIDADO: O interruptor de parada volta automaticamente à posição inicial.

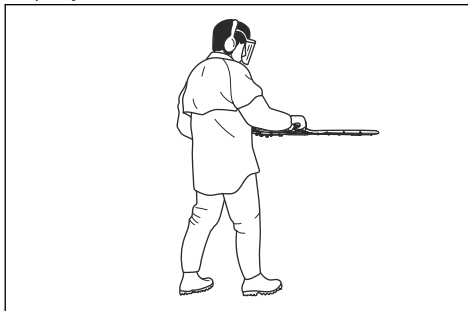
Para operar o produto

1. Comece perto do chão e mova o produto ao longo da extremidade ao cortar as laterais. Certifique-se de que o corpo do equipamento não toque na extremidade.



AVISO: Certifique-se de que a parte da frente do equipamento de corte não toque o chão.

2. Ajuste a velocidade de forma a alinhar com a carga de trabalho.
3. Segure o produto próximo do seu corpo para uma posição de trabalho estável.



4. Seja cuidadoso e opere o produto lentamente.

Manutenção

Introdução



AVISO: Leia e compreenda o capítulo de segurança antes realizar a manutenção no produto.

Cronograma de manutenção

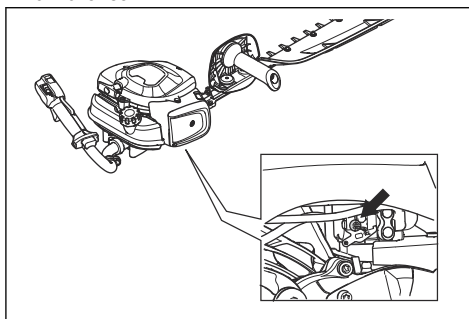
Manutenção	Antes da operação	Após 40 h	Após 100 h
Limpe a superfície externa.	Após cada operação.		

Manutenção	Antes da operação	Após 40 h	Após 100 h
Retire folhas, sujeira ou lubrificante indesejado do silenciador, tubo de escape e motor.	Após cada operação.		
Certifique-se de que equipamento de corte não se mova em marcha lenta.	X		
Faça uma verificação do interruptor de parada, consulte <i>Para fazer uma verificação do interruptor de parada na página 52.</i>	X		
Examine o equipamento de corte e a proteção do equipamento de corte para ver se há danos ou rachaduras. Substitua se estiver danificado.	X		
Examine as proteções das mãos para ver se há danos ou rachaduras. Substitua se estiver danificado.	X		
Faça uma verificação da trava do acelerador e do acelerador, consulte <i>Para fazer uma verificação da trava do acelerador na página 52.</i>	X		
Examine o motor, o tanque de combustível e as linhas de combustível para ver se há vazamentos.	X		
Aperte porcas e parafusos.	X		
Examine o filtro de combustível para ver se há contaminação e a mangueira de combustível para ver se há rachaduras ou outros defeitos. Substitua se necessário.	X		
Examine o motor de partida e a corda de arranque para ver se há danos.		X	
Limpe o filtro de ar. Substitua se necessário.		X	
Examine a vela de ignição, consulte <i>Para examinar a vela de ignição na página 58.</i>		X	
Limpe o sistema de arrefecimento.		X	
Limpe a superfície externa do carburador e as áreas ao redor.		X	
Limpe ou substitua a rede retentora de faíscas.			X
Limpe a superfície interna do tanque de combustível.			X
Examine a vela de ignição.			X
Certifique-se de que a caixa de engrenagens esteja com massa lubrificante.			X

Para ajustar a marcha lenta

1. Limpe o filtro de ar e prenda a tampa do filtro de ar.
2. Dar partida no produto, consulte *Para dar a partida no produto com o motor frio na página 55.*

3. Gire o parafuso T de ajuste de marcha lenta no sentido horário até o equipamento de corte começar a mover-se.



- Gire o parafuso de ajuste de marcha lenta no sentido anti-horário até que o acessório para corte pare.



AVISO: Se o equipamento de corte não parar quando você ajustar a marcha lenta, leve ao seu revendedor de serviço mais próximo. Não use o produto até que ele seja corretamente ajustado ou reparado.

Observação: A marcha lenta está correta quando o motor opera suavemente em todas as posições. Consulte *Dados técnicos na página 60* para obter informações de marcha lenta recomendada.

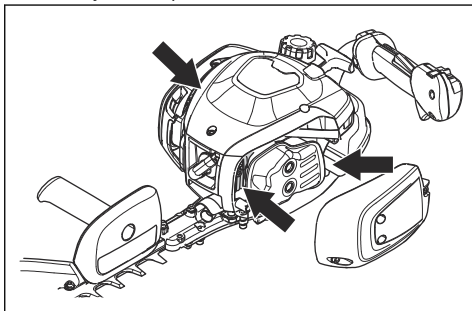
Para limpar o sistema de arrefecimento

O sistema de arrefecimento mantém a temperatura do motor baixa. O sistema de arrefecimento inclui aletas de arrefecimento no cilindro e no alojamento do motor de partida.



CUIDADO: A entrada de ar entre o tanque de combustível e o cárter é facilmente bloqueada por folhas. Limpe totalmente a entrada de ar.

- Limpe o sistema de arrefecimento com uma escova uma vez por semana ou com mais frequência, caso necessário.
- Certifique-se de que o sistema de arrefecimento não está sujo ou bloqueado.



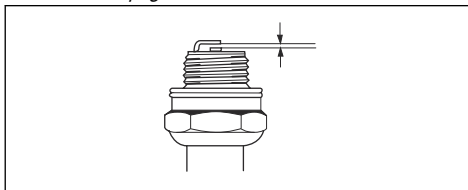
Para examinar a vela de ignição



CUIDADO: Use sempre o tipo de vela de ignição recomendado. O tipo errado de vela de ignição pode causar danos ao produto.

- Se o motor apresentar baixa potência, não iniciar com facilidade ou não operar corretamente em marcha lenta, examine a vela de ignição.
- Para diminuir o risco de presença de material indesejado nos eletrodos da vela de ignição, siga as seguintes instruções:

- Certifique-se de que a marcha lenta esteja ajustada corretamente.
 - Certifique-se de que a mistura de combustível esteja correta.
 - Certifique-se de que o filtro de ar esteja limpo.
- Se a vela de ignição estiver suja, limpe-a e verifique se a folga do eletrodo está correta, consulte *Dados técnicos na página 60*.

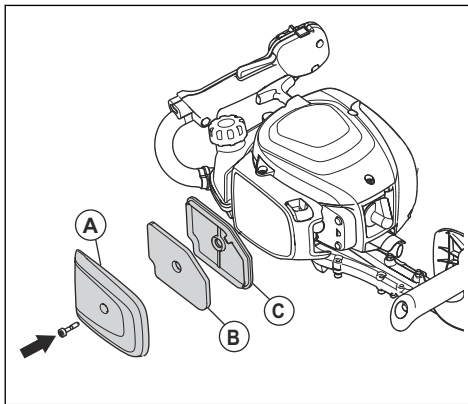


- Substitua a vela de ignição, se for necessário.

Para limpar o filtro de ar

Limpe o filtro de ar regularmente de sujeira ou pó. Isso evita mau funcionamento no carburador, problemas de partida no motor, perda de potência do motor, desgaste de peças do motor e mais consumo de combustível do que o usual.

- Remova a tampa do filtro de ar (A).
- Retire o filtro de espuma (B) e o filtro de feltro (C) da estrutura de filtro.



- Substitua o filtro de feltro (C).
- Limpe o filtro de espuma (B) com água morna e sabão.

Observação: Um filtro de ar utilizado há muito tempo não pode ser totalmente limpo. Substitua o filtro de ar regularmente e sempre substitua um filtro de ar com defeito.

- Certifique-se de que o filtro de espuma (B) esteja seco.
- Aplique o óleo para filtro de ar no filtro de espuma (B). Consulte a *Aplicar óleo ao filtro de ar na página 59*.

7. Limpe a superfície interna da tampa do filtro de ar (A). Utilize ar comprimido ou uma escova.

Aplicar óleo ao filtro de ar

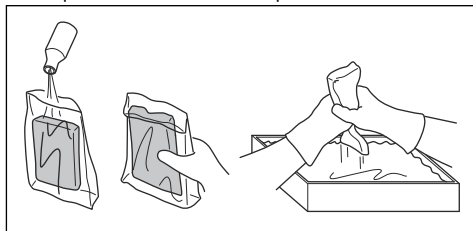


CUIDADO: Utilize sempre um óleo especial Husqvarna para filtros de ar. Não use outros tipos de óleo.



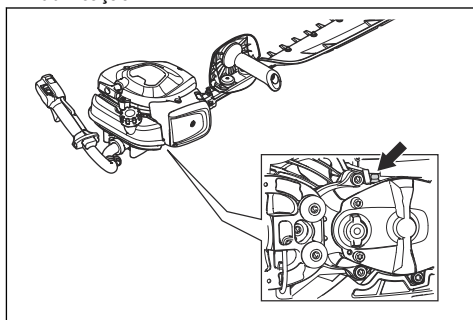
AVISO: Coloque as luvas de proteção. O óleo para filtros pode provocar irritações cutâneas.

1. Coloque o filtro de ar em um saco plástico.
2. Coloque o óleo no saco plástico.
3. Esfregue o saco plástico para certificar-se de que o óleo seja distribuído igualmente em todo o filtro de ar.
4. Empurre o óleo indesejado para fora do filtro de ar enquanto estiver no saco de plástico.



Para lubrificar a caixa de engrenagem

- Utilize Husqvarna massa lubrificante especial. Fale com seu revendedor para obter mais informações sobre a massa lubrificante recomendada.
- Adicione a massa lubrificante por meio do copo de lubrificação.



CUIDADO: Não encha a caixa de engrenagens totalmente.

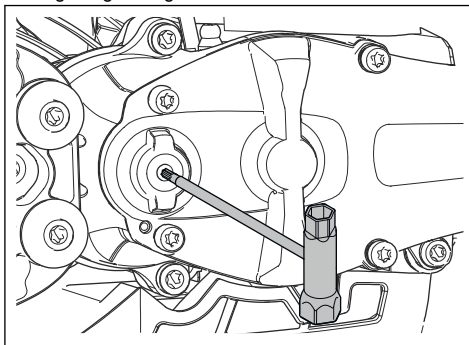
Para limpar e lubrificar as lâminas

1. Limpe os materiais indesejado das lâminas com produto de limpeza antes e depois de utilizar o produto.
2. Lubrifique as lâminas antes de longos períodos de armazenagem.

Observação: Fale com seu revendedor para obter mais informações sobre a massa lubrificante recomendada.

Para examinar os discos

1. Remova a tampa da caixa de engrenagens.
2. Certifique-se de que os discos se movem livremente. Coloque a chave combinada na caixa de engrenagens e gire no sentido horário e anti-horário.



3. Examine as extremidades dos discos para ver se há danos ou deformações.
4. Utilize uma lima para remover as rebarbas dos discos.
5. Encaixe a tampa da caixa de engrenagens.

Transporte, armazenamento e descarte

Transporte e armazenamento

- Deixe sempre o produto esfriar antes de armazenar.

- Para transporte e armazenamento do produto e combustível, certifique-se de que não haja vazamentos ou gases de escape. Faíscas ou

- chamas abertas, por exemplo, de dispositivos elétricos ou caldeiras, podem iniciar um incêndio.
- Sempre utilize recipientes aprovados para armazenamento e transporte de combustível.
- Esvazie o tanque de combustível antes de transportar ou armazenar por períodos prolongados. Descarte o combustível em um local apropriado.
- Coloque a proteção para transporte durante o transporte e armazenamento.
- Remova a cobertura da vela de ignição da vela de ignição.
- Prenda o produto durante o transporte. Certifique-se de que ele não possa se mover.
- Limpe o produto e faça a sua manutenção antes do armazenamento por períodos prolongados.

Dados técnicos

Dados técnicos

	522HS75S
Motor	
Deslocamento do cilindro, cu.in/cm ³	1,32/21,7
Marcha lenta, rpm	3.000
Velocidade máxima recomendada, rpm	9.200
Potência máxima do motor, conforme ISO 8893, kW/hp @ rpm	0,6/0,8 @ 7.800
Silenciador do conversor catalítico	Sim
Sistema de ignição	
Vela de ignição	NGK CMR6A
Folga do eletrodo, pol/mm	0,02/0,5
Combustível	
Capacidade do tanque de combustível, US Pint/l	0,95/0,45
Peso	
Sem combustível, lb/kg	11,2/5,1
Lâminas	
Tipo	De um lado
Comprimento, pol/mm	29,5/750
Velocidade do disco, cortes/min	4.400

garantia

As leis nacionais para os EUA, NA CALIFÓRNIA E NO CANADÁ E DE ESCAPE de gases prejudiciais DE GARANTIA DE CONTROLO

Observação: Este anexo destina-se principalmente para o consumidor ou usuário ocasional.

IMPORTANTE: esse produto está em conformidade com os regulamentos de emissões de escapamento e evaporativas da USEPA Fase 3. A fim de assegurar a conformidade com os regulamentos de Fase 3 da EPA, é recomendado utilizar somente peças de reposição originais da Husqvarna. O uso de peças de reposição não compatíveis é uma violação de lei federal.

DIREITOS E OBRIGAÇÕES DA SUA GARANTIA

A EPA (EUA Environmental Protection Agency -), CARB (California Air Resources Board), Environment Canada e Husqvarna Forest & Garden Forest & Garden tem o prazer de explicar sobre a garantia do sistema de controle de emissões em seu motor off-road de pequeno porte 2019-2020*. Na Califórnia, todos os motores off-road de pequeno porte devem ser projetados, construídos e equipados para atender às rigorosas normas antipoluição do estado. A HCOP deve fornecer garantia para o sistema de controle de emissões do seu motor off-road de pequeno porte para os períodos listados abaixo, desde que não ocorra nenhum mau uso, negligência ou manutenção inadequada do seu motor off-road de pequeno porte. O seu controle de emissões poderá incluir peças tais como o carburador ou combustível sistema de injeção, o sistema de ignição, catalisador, depósitos de combustível, tubos de combustível (de combustível líquido e os vapores de combustível), o combustível tampas, válvulas, canisters, filtros, braçadeiras e outros componentes associados. Também poderão estar incluídas as mangueiras, correias, conectores e outros conjuntos relacionados com emissões. Quando existir uma condição qualificada para garantia, a Forest & Garden Husqvarna Forest & Garden irá reparar seu motor off-road de porte pequeno sem custo para você, incluindo diagnóstico, peças e mão-de-obra.

COBERTURA DA GARANTIA DO FABRICANTE

O tubo de escape e emissões de gases prejudiciais sistema de controle do seu pequeno motor de uso não está garantida durante dois anos. Se alguma peça relacionada com as emissões do seu motor off-road de pequeno porte está com defeito, a peça será reparada ou substituída pela Forest & Garden Husqvarna Forest & Garden.

RESPONSABILIDADES DA GARANTIA DO PROPRIETÁRIO

- Como proprietário do motor off-road de pequeno porte, você é responsável pela execução da manutenção necessária descrita no seu manual do operador. A HCOP recomenda que você guarde todos os recibos referentes a manutenção realizada no seu motor off-road de pequeno porte, porém não pode negar a garantia apenas pela ausência de recibos ou pela incapacidade de garantir a execução de todas as ações de manutenção programadas.
- Como proprietário do motor off-road de pequeno porte, você deve estar ciente de que a Forest & Garden Husqvarna Forest & Garden pode negar cobertura da garantia se o seu motor off-road de pequeno porte ou uma peça tiver falhado devido a abuso, negligência ou manutenção inadequada ou modificações não aprovadas.
- Você é responsável por apresentar seu motor off-road de pequeno porte em um centro de distribuição autorizado da Forest & Garden Husqvarna Forest & Garden o mais brevemente possível se algum problema ocorrer. Os reparos de garantia devem ser concluídos em um período razoável, não excedendo 30 dias. Se tiver alguma dúvida em relação à cobertura da sua garantia, entre em contato com a Forest & Garden Husqvarna Forest & Garden nos EUA em 1-800-487-5951, no Canadá em 1-800-805-5523 ou envie um e-mail para emissions@husqvarnagroup.com.

DATA DE INÍCIO DA GARANTIA

O período de garantia tem início na data em que o motor ou o equipamento foi entregue ao comprador final.

PERÍODO DE COBERTURA

A Forest & Garden Husqvarna Forest & Garden garante ao comprador final e a cada proprietário subsequente, que o motor ou o equipamento foi projetado, construído e equipado de modo a estar em conformidade com todos os regulamentos aplicáveis adotados pela EPA e a CARB, e se encontra livre de defeitos de materiais e de fabricação que possam causar avarias de uma parte garantida durante um período de dois anos.

ITENS ABRANGIDOS PELA COBERTURA

REPARO OU SUBSTITUIÇÃO DE PEÇAS: A reparação ou a substituição de qualquer peça coberta pela garantia deve ser realizada sem custos para o proprietário, numa estação de garantia. Os serviços de garantia ou os reparos serão realizados em todos os centros de distribuição da Forest & Garden Husqvarna Forest & Garden que se encontrem referenciados para dar assistência técnica aos motores referidos. Durante todo o período de garantia de dois anos, a Forest & Garden Husqvarna Forest & Garden irá manter um suprimento de peças com garantia suficiente para atender à demanda esperada para tais peças.

PERÍODO DA GARANTIA: Qualquer peça sob garantia cuja substituição estiver prevista conforme manutenção necessária será coberta pela garantia até o primeiro ponto de substituição previsto para essa peça. Se a peça apresentar falhas antes da primeira substituição programada, ela será reparada ou substituída pela Forest & Garden Husqvarna Forest & Garden sem nenhum custo. Qualquer peça reparada ou substituída na garantia terá garantia pelo restante do período antes da primeira substituição programada para a peça. Qualquer peça coberta pela garantia que não esteja programada para substituição, como exigido no programa de manutenção, está garantida durante dois anos. Caso quaisquer dessas peças apresentar falhas durante o período de garantia, elas serão reparadas ou substituídas pela Forest & Garden Husqvarna Forest & Garden sem nenhum custo. Qualquer peça nessas condições que seja reparada ou substituída na garantia terá garantia pelo período restante. Qualquer peça coberta pela garantia que esteja programada somente para inspeção normal no programa de manutenção, estará garantida durante dois anos. Uma afirmação nas instruções escritas para o efeito de "reparar ou substituir quando necessário" não reduz o período de cobertura da garantia. Qualquer peça nessas condições que seja reparada ou substituída na garantia terá garantia pelo período restante.

DIAGNÓSTICO: O proprietário não deve ser cobrado pelo serviço de diagnóstico que leva à determinação de que uma peça abrangida pela garantia se encontra com defeito, desde que esse trabalho de diagnóstico seja conduzido em uma estação de garantia.

DANOS CONSEQUENCIAIS: A Forest & Garden Husqvarna Forest & Garden é responsável por danos a outros componentes do motor ou equipamento próximos causados por uma falha sob garantia de qualquer peça coberta pela garantia.

LISTA DE PEÇAS SOB GARANTIA

1. Carburador e peças internas.
2. Tubo de entrada, suporte do filtro de ar e parafusos do carburador.
3. Filtro de ar e filtro de combustível cobertos pelo programa de manutenção.
4. Vela de ignição, coberta pelo programa de manutenção.
5. Módulo de ignição.
6. Depósito de combustível (linha de combustível líquido e vapor de borracha), e tampa do depósito.

ITENS NÃO ABRANGIDOS PELA COBERTURA

Qualquer falha causada por mau uso, negligência, ou manutenção inadequada não é abrangida pela cobertura.

PEÇAS COMPLEMENTARES OU MODIFICADAS: Peças complementares ou modificadas que não sejam isentas pelo CARB ou EPA não devem ser usadas. O uso de complementos ou peças modificadas não isentas irá justificar a recusa de uma solicitação de garantia. A Forest & Garden Husqvarna Forest &

Garden não assume nenhuma responsabilidade por falhas de garantia ou peças garantidas causadas pelo uso de uma peça complementar ou modificada não isentada.

COMO EFETUAR UMA SOLICITAÇÃO DE GARANTIA

Se tiver quaisquer perguntas relativamente aos direitos da garantia e às responsabilidades, entre em contato com o revendedor de assistência autorizado ou ligue para a Forest & Garden Husqvarna Forest & Garden dos EUA 1-800-487-5951, no Canadá para 1-800-805-5523, envie um e-mail para emissions@husqvarnagroup.com.

ONDE OBTER O SERVIÇO DE GARANTIA

Os serviços de garantia ou reparações serão fornecidos pelos revendedores de assistência autorizados da Forest & Garden Husqvarna Forest & Garden.

MANUTENÇÃO, SUBSTITUIÇÃO E REPARO DE PEÇAS RELACIONADAS A EMISSÕES

Quaisquer peças de reposição que podem ser usadas para a realização de manutenção ou reparos em garantia devem ser fornecidas sem custo para o proprietário. Essa utilização não diminui as obrigações de garantia do fabricante.

DECLARAÇÃO DE MANUTENÇÃO

O proprietário é responsável pela execução da manutenção necessária tal como definida no manual do operador.

*O ano do modelo atual e seguinte será atualizado anualmente na declaração de garantia fornecida ao consumidor. Por exemplo, no modelo do ano de 2012, será especificado 2012-2013.



www.husqvarna.com

Original instructions
Instrucciones originales
Instructions d'origine
Instruções originais

1140557-49



2019-03-21