



# Husqvarna®

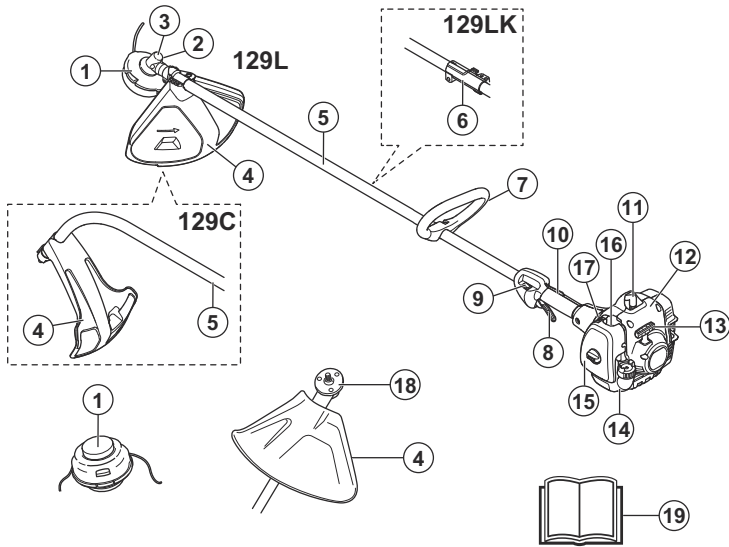


129C, 129L, 129LK

EN Operator's manual  
ES-MX Manual del usuario  
FR-CA Manuel d'utilisation

9-18  
19-29  
30-41

1

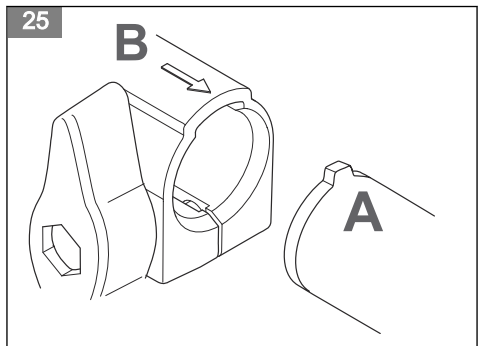
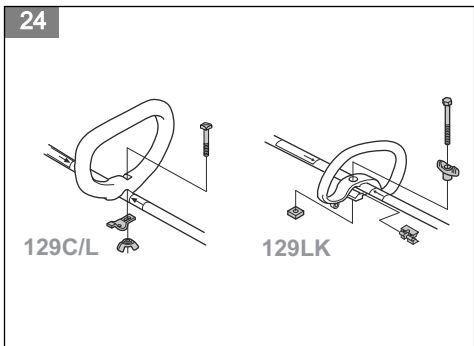
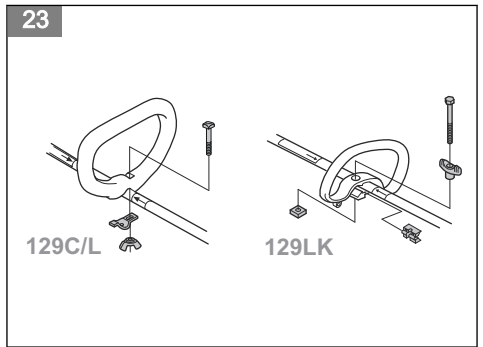
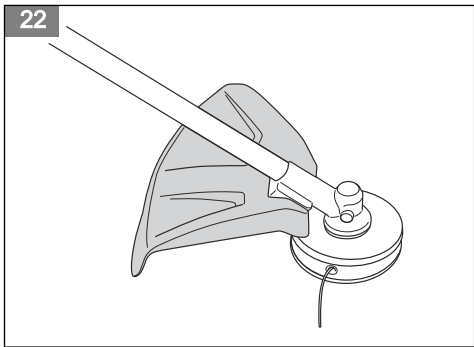
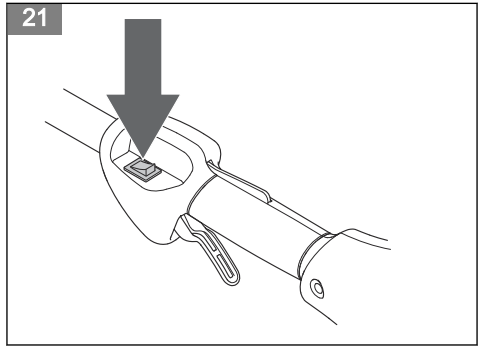
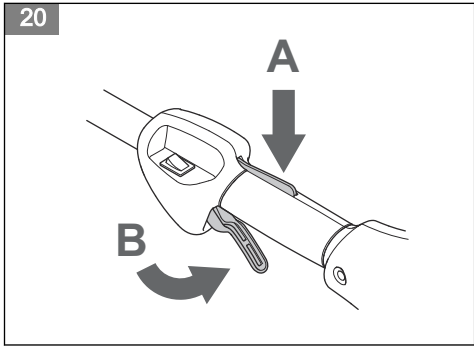


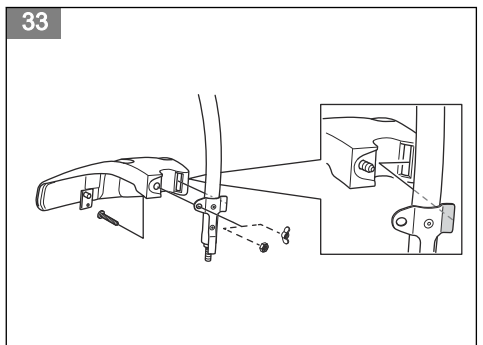
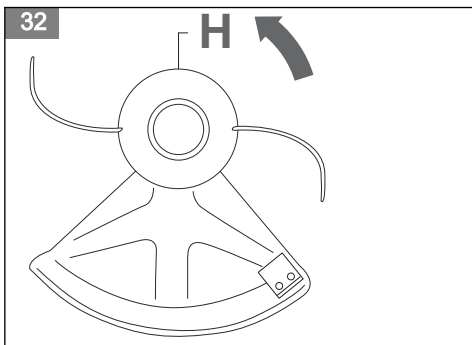
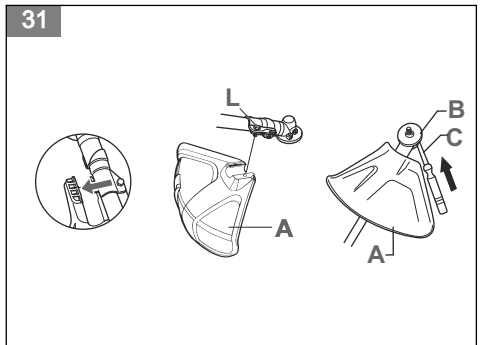
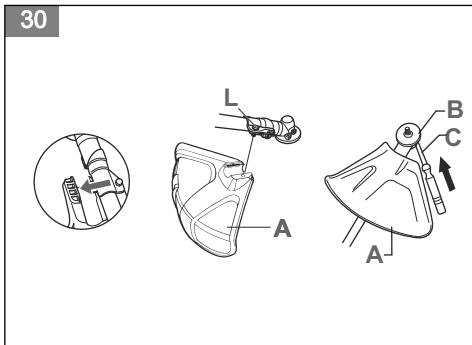
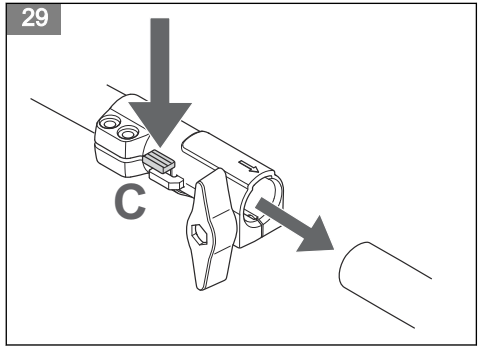
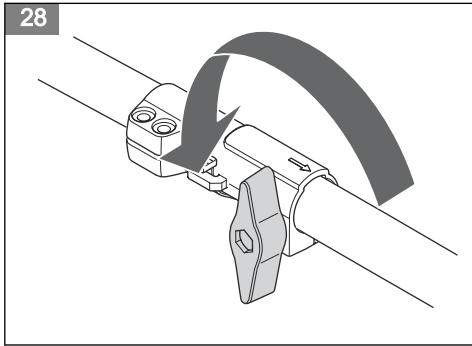
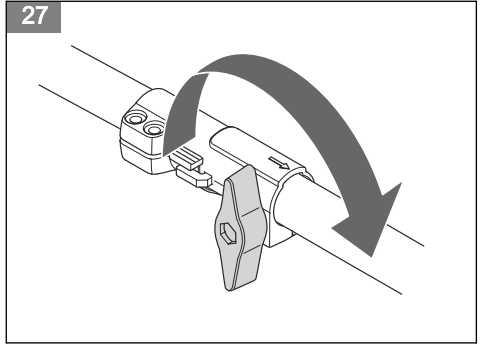
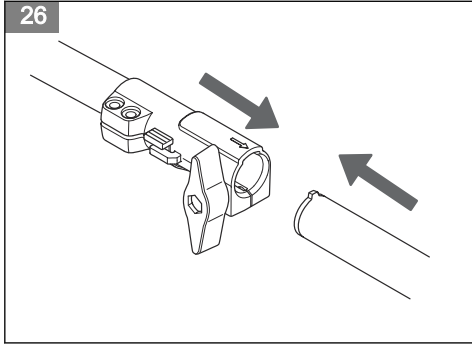
2

# ! WARNING

The engine exhaust from this product contains chemicals known to the State of California to cause cancer, birth defects or other reproductive harm.

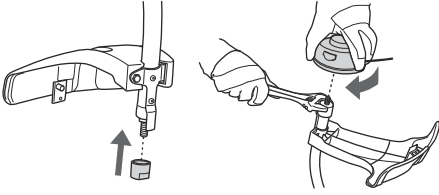
3	4	5	6	7	8
9	10	11	12	13	14
15	16	17			



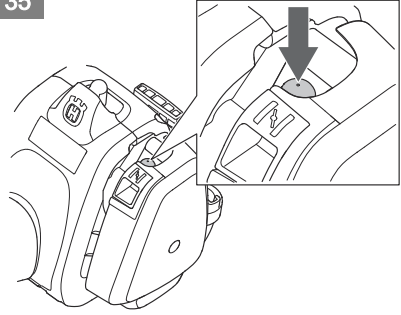




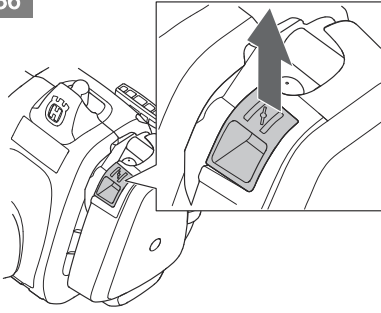
34



35



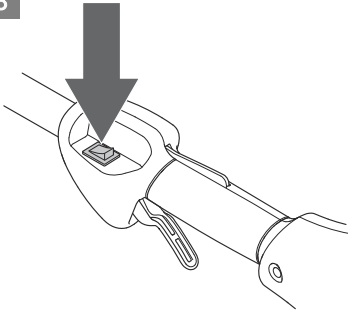
36



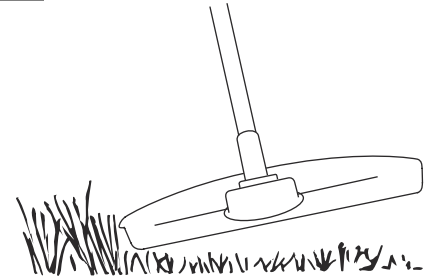
37



38



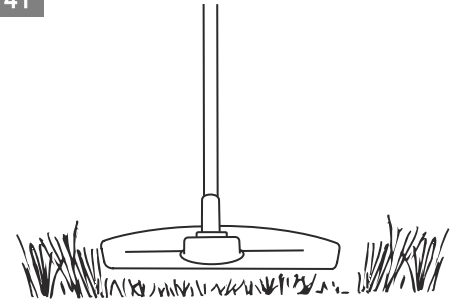
39

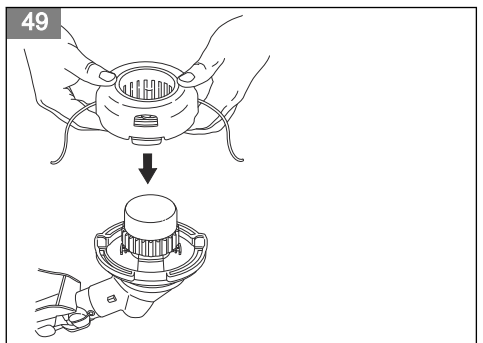
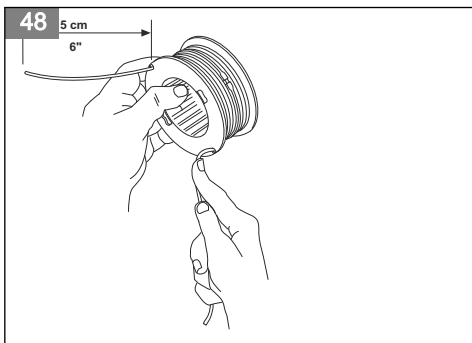
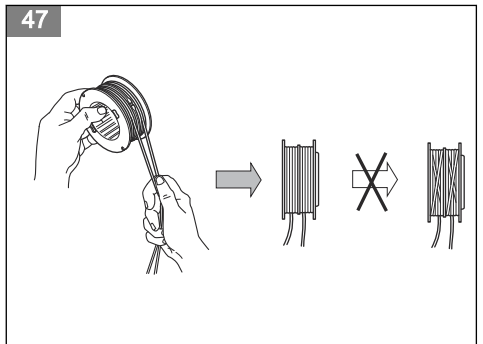
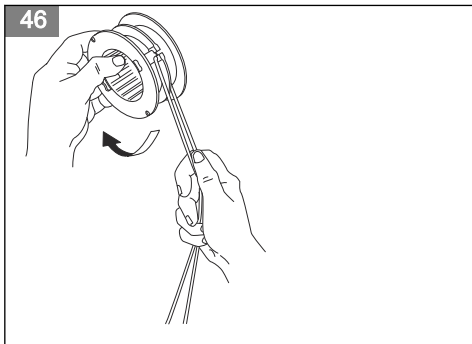
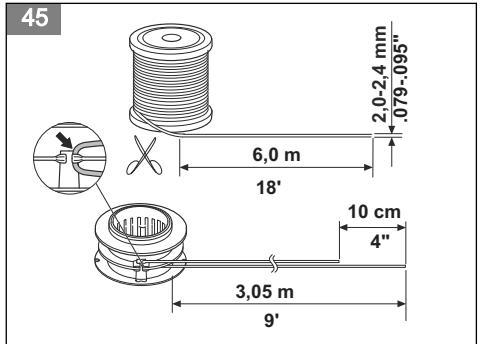
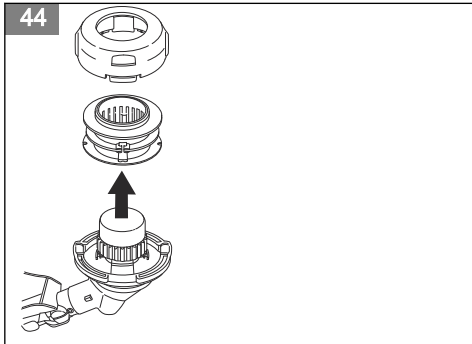
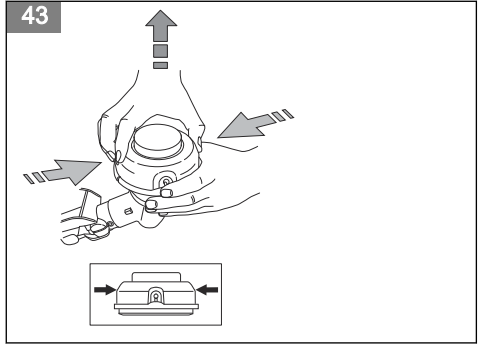
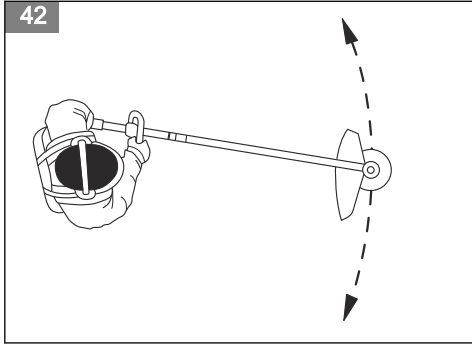


40

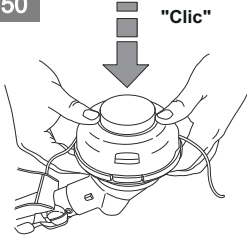


41

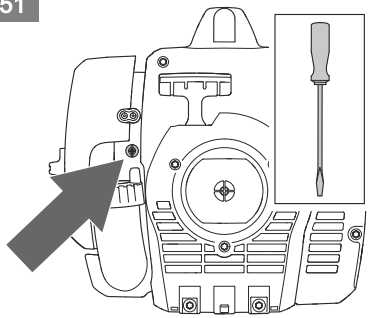




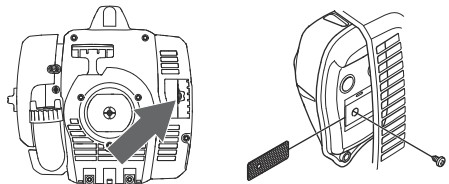
50



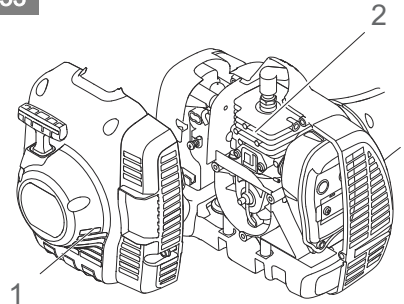
51



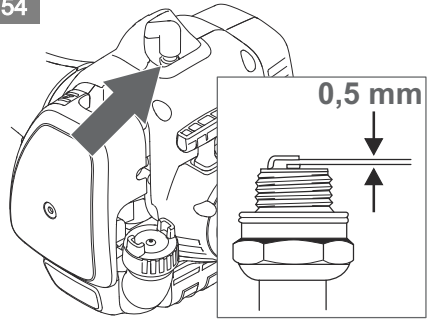
52



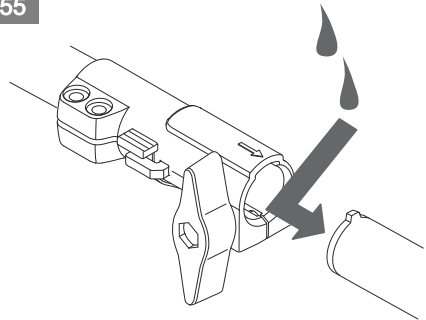
53



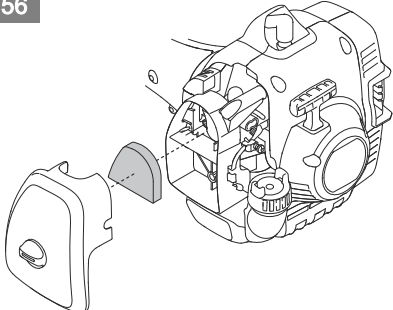
54



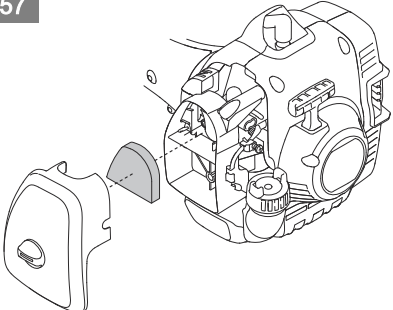
55



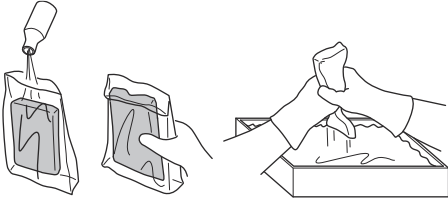
56



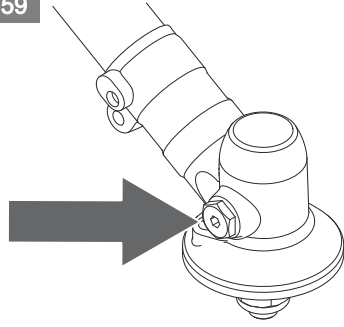
57



58



59



---

# Contents

---

INTRODUCTION.....	9	TECHNICAL DATA.....	16
SAFETY.....	10	ACCESSORIES.....	17
ASSEMBLY.....	12	EMISSION CONTROL WARRANTY STATEMENT.....	17
OPERATION.....	13	.....	0
MAINTENANCE.....	14		

---

## INTRODUCTION

---

### Operator's manual

The initial language of this operator's manual is English. Operator's manuals in other languages are translations from English.

### Overview

(Fig. 1 )

1. Trimmer head
2. Grease filler cap
3. Bevel gear
4. Cutting attachment guard
5. Shaft
6. Loop handle
7. Throttle trigger
8. Stop switch
9. Throttle trigger lockout
10. Spark plug cap, spark plug
11. Starter housing
12. Starter rope handle
13. Fuel tank
14. Air filter cover
15. Primer bulb
16. Choke control
17. Drive disc
18. Operator's manual

(Fig. 10) The product can cause objects to eject, which can cause damage to the eyes.

(Fig. 11) The product can cause objects to eject, which can cause damage to the eyes.

(Fig. 12) Max. speed of the output shaft.

(Fig. 13) Safe distance

(Fig. 14) Only use an approved trimmer line. Do not use a blade.

(Fig. 15) Do not use a cutting attachment made of metal.

(Fig. 16) Make sure that long hair is put up above your shoulders.

(Fig. 17) The arrows show the limits for the position of the handle.

---

**Note:** Other symbols/decals on the product refer to certification requirements for other commercial areas.

---

### Chemical warning

(Fig. 2 )

### Symbols on the product

- (Fig. 3) Warning
- (Fig. 4) Read this manual.
- (Fig. 5) Use approved head protection.
- (Fig. 6) Use approved hearing protection.
- (Fig. 7) Use approved eye protection.
- (Fig. 8) Use approved protective gloves.
- (Fig. 9) Use protective shoes/boots.

### Product liability

As referred to in the product liability laws, we are not liable for damages that our product causes if:

- the product is incorrectly repaired.
- the product is repaired with parts that are not from the manufacturer or not approved by the manufacturer.
- the product has an accessory that is not from the manufacturer or not approved by the manufacturer.
- the product is not repaired at an approved service center or by an approved authority.

---

# SAFETY

---

## Safety definitions

The definitions below give the level of severity for each signal word.



**WARNING:** Injury to persons.



**CAUTION:** Damage to the product.

**Note:** This information makes the product easier to use.

## General safety instructions

- Use the product correctly. Injury or death is a possible result of incorrect use. Only use the product for the tasks found in this manual. Do not use the product for other tasks.
- Obey the instructions in this manual. Obey the safety symbols and the safety instructions. If the operator does not obey the instructions and the symbols, injury, damage or death is a possible result.
- Do not discard this manual. Use the instructions to assemble, to operate and to keep your product in good condition. Use the instructions for correct installation of attachments and accessories. Only use approved attachments and accessories.
- Do not use a damaged product. Obey the maintenance schedule. Only do the maintenance work that you find an instruction about in this manual. An approved service center must do all other maintenance work.
- This manual cannot include all situations that can occur when you use the product. Be careful and use your common sense. Do not operate the product or do maintenance to the product if you are not sure about the situation. Speak to a product expert, your dealer, service agent or approved service center for information.
- Disconnect the spark plug cable before you assemble the product, put the product into storage or do maintenance.
- Do not use the product if it is changed from its initial specification. Do not change a part of the product without approval from the manufacturer. Only use parts that are approved by the manufacturer. Injury or death is a possible result of incorrect maintenance.
- Do not breathe in the fumes from the engine. Long term inhalation of the engine's exhaust fumes is a health risk.
- Do not start the product indoors or near flammable material. The exhaust fumes are hot and can contain

a spark which can start a fire. Not sufficient airflow can cause injury or death because of asphyxiation or carbon monoxide.

- When you use this product the engine makes an electromagnetic field. The electromagnetic field can cause damage to medical implants. Speak to your physician and medical implant manufacturer before you operate the product.
- Do not let a child operate the product. Do not let a person, without knowledge of the instructions operate the product.
- Make sure that you always monitor a person, with decreased physical capacity or mental capacity, that uses the product. A responsible adult must be there at all times.
- Lock the product in an area that children and unapproved persons cannot access.
- The product can eject objects and cause injuries. Obey the safety instructions to decrease the risk of injury or death.
- Do not go away from the product when the engine is on.
- The operator of the product is responsible if an accident occurs.
- Make sure that parts are not damaged before you use the product.
- Make sure that you are at a minimum 15 m (50 ft) away from other persons or animals before you use the product. Make sure that a person in adjacent area knows that you will use the product.
- Refer to national or local laws. They can prevent or decrease the operation of the product in some conditions.
- Do not use the product if you are fatigued or influenced by alcohol, drugs or medicine. They can have effects on your vision, alertness, coordination or judgment.

## Safety instructions for operation

- Make sure the product is fully assembled before you use it.
- Before a start, move the product 3 m (10 ft) away from the position where you filled the fuel tank. Put the product on a flat surface. Make sure that the cutting attachment does not touch the ground or other objects.
- The product can cause objects to eject, which can cause damage to the eyes. Always use an approved eye protection when you operate the product.
- Be careful, a child can come near the product without your knowledge during operation.
- Do not operate the product if there are persons in the work area. Stop the product if a person goes into the work area.
- Make sure that you are always in control of the product.

- Do not use the product if you cannot receive aid if an accident occurs. Always make sure others know you will operate the product before you start to operate the product.
- Do not turn with the product before you make sure that no persons or animals are in the safety area.
- Remove all unwanted materials from the work area before you start. If the cutting attachment hits an object, the object can eject and cause injury or damage. Unwanted material can wind around the cutting attachment and cause damage.
- Do not use the product in bad weather (fog, rain, strong winds, risk of lightning or other weather conditions.). Dangerous conditions (such as slippery surfaces) can occur because of bad weather.
- Make sure that you can move freely and work in a stable position.

(Fig. 18 )

- Make sure that you cannot fall when you use the product. Do not tilt when you operate the product.
- Always hold the product with your two hands. Hold the product on the right side of your body.

(Fig. 19 )

- Operate the product with the cutting attachment below your waist.
- If the choke control is in the choke position when the engine starts, the cutting attachment starts to turn.
- Do not touch the bevel gear after the engine stops. The bevel gear is hot after the engine stops. Hot areas can cause injury.
- Stop the engine before you move the product.
- Do not put down the product with the engine on.
- Before you remove the unwanted materials from the product, stop the engine and wait until the cutting attachment stops. Let the cutting attachment stop before you or an aid remove the cut material.

## Personal protective equipment

- Always use correct personal protective equipment when you operate the product. The personal protective equipment does not erase the risk of injury. The personal protective equipment decreases the grade of injury if an accident occurs.
- Always use an approved eye protection while you operate the product.
- Do not operate the product with bare feet or with open shoes. Always use heavy-duty slip-resistant boots.
- Use heavy, long pants.
- If it is necessary, use approved protective gloves.
- Use a helmet if it is possible that objects fall on your head.
- Always use approved ear protection while you operate the product. Noise for a long period can cause noise-induced hearing loss.
- Make sure that you have a first aid kit near.

## Protective devices on the product

- Make sure that you regularly do the maintenance to the product.
  - The life of the product increases.
  - The risk of accidents decreases.

Let an approved dealer or an approved service center regularly examine the product to do adjustments or repairs.

- Do not use a product with damaged protective equipment. If the product is damaged, speak to an approved service center.

## Throttle trigger lockout

The throttle trigger lockout locks the throttle trigger. (Fig. 20 )

Push the throttle trigger lockout (A) to release the throttle trigger (B). When you release the handle, the throttle trigger lockout and the throttle trigger go back to their initial positions.

1. Make sure that the throttle trigger (B) is locked at idle when you release the throttle trigger lockout (A).
2. Push the throttle trigger lockout (A) and make sure that it goes back to its initial position when you release it.
3. Push the throttle trigger (B) and make sure that it goes back to its initial position when you release it.

Start the engine, and then apply full throttle. Release the throttle trigger and examine if the cutting attachment stops. If the cutting attachment turns with the throttle in the idle position, examine the idle adjustment screw of the carburetor.

## Stop switch

Start the engine. Make sure that the engine stops when you move the stop switch to the stop position.

(Fig. 21 )

## Cutting attachment guard

The cutting attachment guard prevents a loose object to eject in the direction of the operator.

(Fig. 22 )

Examine the cutting attachment guard for damage and replace if it is damaged. Only use the approved guard for the cutting attachment.

## Muffler

- Do not use an engine with a damaged muffler. A damaged muffler increases the noise level and the risk of fire. Keep a fire extinguisher near.
- Examine regularly that the muffler is attached to the product.
- Do not touch the engine or the muffler when then engine is on. Do not touch the engine or the muffler for a while after the engine stops. Hot surfaces can cause injuries.

- A hot muffler can cause a fire. Be careful, if you use the product near flammable liquids or fumes.
- Do not touch the parts in the muffler, if the muffler is damaged. The parts can contain some carcinogenic chemicals.

## Cutting attachment

- Do the regular maintenance. Let an approved service center regularly examine the cutting attachment to do adjustments or repairs.
  - The performance of the cutting attachment increases.
  - The life of the cutting attachment increases.
  - The risk of accidents decreases.
- Only use an approved cutting attachment guard. For more information, see *TECHNICAL DATA* on page 16.
- Do not use a damaged cutting attachment.

## Grass trimmer head

- Make sure that you wind the grass trimmer line tightly and equally around the drum to decrease the vibration.
- Use only the approved grass trimmer heads and grass trimmer lines. See *TECHNICAL DATA* on page 16.
- Use a correct length of the grass trimmer line. A long grass trimmer line uses more engine power than a short grass trimmer line.
- Make sure that the cutter on the cutting attachment guard is not damaged.
- Soak the grass trimmer line in water for 2 days before you attach the grass trimmer line to the product. This increases the life of the grass trimmer line.

## Fuel safety

- Do not start the product if there is fuel or engine oil on the product. Remove the unwanted fuel/oil and let the product dry. Remove unwanted fuel from the product.
- If you spill fuel on your clothing, change clothing immediately.
- Do not get fuel on your body, it can cause injury. If you get fuel on your body, use a soap and water to remove the fuel.

- Do not start the engine if you spill oil or fuel on the product or on your body.
- Do not start the product if the engine has a leak. Examine the engine for leaks regularly.
- Be careful with fuel. Fuel is flammable and the fumes are explosive and can cause injuries or death.
- Do not breathe in the fuel fumes, it can cause injury. Make sure that there is a sufficient airflow.
- Do not smoke near the fuel or the engine.
- Do not put warm objects near the fuel or the engine.
- Do not add the fuel when the engine is on.
- Make sure that the engine is cool before you refuel.
- Before you refuel, open the fuel tank cap slowly and release the pressure carefully.
- Do not add fuel to the engine in an indoor area. Not sufficient airflow can cause injury or death because of asphyxiation or carbon monoxide.
- Tighten the fuel tank cap carefully or a fire can occur.
- Move the product at a minimum of 3 m (10 ft) from the position where you filled the tank before a start.
- Do not put too much fuel in the fuel tank.
- Make sure that a leak cannot occur when you move the product or fuel container.
- Do not put the product or a fuel container where there is an open flame, spark or pilot light. Make sure that the storage area does not contain an open flame.
- Only use approved containers when you move the fuel or put the fuel into storage.
- Empty the fuel tank before long-term storage. Obey the local law on where to dispose fuel.
- Clean the product before long-term storage.
- Remove the spark plug cable before you put the product into storage to make sure that the engine does not start accidentally.

## Safety instructions for maintenance

- If you cannot adjust the idle speed to make the cutting attachment stop, speak to your service center. Do not use the product until the product is correctly adjusted or repaired.

---

# ASSEMBLY

---



**WARNING:** Read the safety chapter before you assemble the product.

## To attach the loop handle

1. Attach the loop handle to the shaft in compliance with the illustration and tighten.(Fig. 23 )

2. Make sure that the loop handle attaches between the arrows on the shaft.

## To assemble the two-piece shaft

1. Turn the knob to loosen the shaft coupling.(Fig. 24 )
2. Align the tab of the shaft (A) with the arrow on the shaft coupling (B).(Fig. 25 )



3. Push the shaft into the shaft coupling until the shaft attaches.(Fig. 26 )
4. Make sure that you tighten the knob before you use the product.(Fig. 27 )

### To disassemble the two-piece shaft

1. Turn the knob to loosen the shaft coupling.(Fig. 28 )
2. Push and hold the button (C).(Fig. 29 ) Hold the engine end and pull the shaft out of the shaft coupling.

### To assemble the cutting attachment

#### To attach the cutting attachment guard and the trimmer head (straight shaft)

1. Attach the cutting attachment guard (A) to the shaft with the bolt (L).(Fig. 30 ) Make sure to use the correct cutting attachment guard and the correct trimmer head.

2. Attach the drive disc (B) to the output shaft.
3. Turn the output shaft until the hole in the drive disc aligns with the hole in the gear housing.
4. Put a small screwdriver (C) in the hole to lock the shaft.(Fig. 31 )
5. Turn the trimmer head (H) counterclockwise to tighten the trimmer head to the gearbox. (Left hand threads.)(Fig. 32 )

#### To attach the cutting attachment guard and trimmer head (curved shaft)

1. Attach the guard.(Fig. 33 ) Tighten the nut.
2. Attach the dust cup on the shaft.(Fig. 34 )
3. Hold the dust cup with an adjustable wrench to make sure the shaft does not turn.
4. Attach the trimmer head to the shaft. Turn the trimmer head clockwise.

---

## OPERATION

---



**WARNING:** Read and understand the safety chapter before you operate the product.

### Fuel

#### To use fuel



**CAUTION:** This product has a two-cycle engine. Use a mixture of gasoline and two-cycle engine oil. Make sure to use the correct quantity of oil in the mixture. Incorrect ratio of gasoline and oil can cause damage to the engine.

- Do not use other types of oil.
- Mixture ratio 50:1 (2%)

Gasoline	Oil
1 U.S. Gal.	77 ml (2,6 oz)
1 UK Gal.	95 ml (3,2 oz)
5 l	100 ml (3,4 oz)

### Gasoline



**CAUTION:** Do not use gasoline with an octane number less than 90 RON (87 AKI). This can cause damage to the product.



**CAUTION:** Do not use gasoline with more than 10% ethanol concentration (E10). This can cause damage to the product.

- Always use new unleaded gasoline with a minimum octane number of 90 RON (87 AKI) and with less than 10% ethanol concentration (E10).
- Use gasoline with a higher octane number if you frequently use the product at continuously high engine speed.

### Two-cycle engine oil

- Use only high quality two-cycle engine oil. Use only an air cooled engine oil.

### To make the fuel mixture

**Note:** Always use a clean fuel container when you mix the fuel.

**Note:** Do not make more than 30 days quantity of fuel mixture.

1. Add half of the gasoline quantity.
2. Add the full quantity of oil.
3. Shake the fuel mixture to mix the contents.
4. Add the remaining gasoline quantity.
5. Shake the fuel mixture to mix the contents.
6. Fill the fuel tank.

### To add fuel

- Always use a fuel container with an antispill valve.
- If there is some fuel on the container, remove the unwanted fuel and let the container dry.
- Make sure that the area near the fuel tank cap is clean.
- Shake the fuel container before you add the fuel mixture to the fuel tank.

## To start and stop

### Before you start the engine

- Examine the product for missing, damaged, loose or worn parts.
- Examine the nuts, screws and bolts.
- Examine the air filter.
- Examine the throttle trigger lockout and the throttle control for correct operation.
- Examine the stop switch for correct operation.
- Examine the product for fuel leaks.
- Examine the saw chain sharpness and tension.

### To start a cold engine

1. Push the primer bulb 10 times.(Fig. 35 )
2. Pull the choke control up.(Fig. 36 )
3. Hold the body of the product on the ground with your left hand.(Fig. 37 ) Do not step on the product. Pull the starter rope handle slowly until you feel some resistance. Then pull the starter rope handle with force.

**Note:** Do not pull the throttle trigger while you start the engine.

4. Continue to pull the starter rope handle until the engine starts or tries to start (max. 3 pulls). If the engine starts or tries to start, push the choke control down. Continue to pull until the engine starts. Wait 60 seconds after a start before you pull the throttle trigger.



**CAUTION:** Do not pull the starter rope until it stops. Do not let go of the starter rope when it is fully extended. Release the starter rope slowly. Failure to obey these instructions can cause damage to the engine.

### To start a warm engine

1. Push the primer bulb 10 times.
2. Pull the starter rope until the engine starts.

### To stop

- Push the stop switch to stop the engine.(Fig. 38 )

**Note:** The stop switch automatically goes back to its initial position.

## To operate the grass trimmer



**CAUTION:** Make sure that you slow the engine to idle speed after each operation. A long period at full throttle without a load on the engine can cause damage to the engine.

**Note:** Clean the cover of the trimmer head when you attach a new trimmer line to prevent vibrations. Examine other parts of the trimmer head and clean if it is necessary.

### To trim the grass

1. Hold the trimmer head immediately above the ground at an angle.(Fig. 39 ) Do not push the grass trimmer line into the grass.
2. Decrease the length of the grass trimmer line by 10-12 cm (4-4.75 in) and decrease engine speed to decrease the risk of damage to plants.
3. Use 80 % throttle when you cut grass near objects. (Fig. 40 )

### To cut the grass

1. Make sure that the grass trimmer line is parallel to the ground when you cut.(Fig. 41 )
2. Do not push the trimmer head to the ground. The ground and the product can be damaged.
3. Do not let the trimmer head touch the ground continuously, it can cause damage to the trimmer head.
4. Use full throttle when you move the product from side to side to cut grass.(Fig. 42 ) Make sure that the grass trimmer line is parallel to the ground.

### To replace the trimmer line

(Fig. 43 )  
(Fig. 44 )  
(Fig. 45 )  
(Fig. 46 )  
(Fig. 47 )  
(Fig. 48 )  
(Fig. 49 )  
(Fig. 50 )

## MAINTENANCE



**WARNING:** Read and understand the safety chapter before you clean, repair or do maintenance on the product.

### Maintenance schedule

Make sure that you obey the maintenance schedule. The intervals are calculated from daily use of the product. The intervals are different if you do not use the product each day. Only do the maintenance work that is

found in this manual. Speak to an approved service center about other maintenance work not found in this manual.

### Weekly maintenance

- Clean the external surfaces.
- Examine the idle speed.
- Examine the bevel gear grease (straight shaft).

### Monthly maintenance

- Examine the starter rope handle and the starter rope.

### Yearly maintenance

- Examine the spark plug.
- Apply grease to the end of the drive shaft (two-piece shaft).
- Clean the external surfaces of the carburetor and its adjacent areas.
- Clean the cooling system.
- Examine the spark arrester screen.
- Examine the fuel filter.
- Examine the fuel hose for damage.
- Examine all cables and connections.

### 50 hours maintenance

- Have an approved service center repair or replace the muffler.

## To adjust the idle speed

- Make sure that the air filter is clean and the air filter cover is attached before you adjust the idle speed.
  - Adjust the idle speed with the idle adjustment screw T which is identified with "T" mark.
  - The idle speed is correct when the engine operates smoothly in all positions. The idle speed must be below the speed when the cutting attachment starts to turn.
1. Turn the idle adjustment screw clockwise until the cutting attachment starts to turn.(Fig. 51 )
  2. Turn the idle adjustment screw counterclockwise until the cutting attachment stops.

## To do maintenance on the spark arrester screen

Use a wire brush to clean the spark arrester screen. (Fig. 52 )

## To clean the cooling system

Clean the parts of the cooling system with a brush. (Fig. 53 )

## To examine the spark plug



**CAUTION:** Use the recommended spark plug. Make sure that the replacement is the same as the manufacturer supplied part. An incorrect spark plug can cause damage to the product.

1. Examine the spark plug when:
  - a) the engine is low on power.
  - b) the engine is not easy to start.
  - c) the engine does not operate correctly at idle speed.
2. If, the engine is not easy to start or operate, examine the spark plug for unwanted materials. To decrease the risk of unwanted material on the spark plug electrodes:
  - a) make sure that the idle speed is correctly adjusted.
  - b) make sure that the fuel mixture is correct.
  - c) make sure that the air filter is clean.
3. Clean the spark plug if it is dirty. Examine that the electrode gap is correct.(Fig. 54 )
4. Replace the spark plug when it is necessary.

## To apply grease to the two-piece shaft

- Apply grease to the end of the drive shaft after each 30 hours of operation.(Fig. 55 )

## To do the maintenance to the air filter

### To clean the air filter

1. Remove the air filter cover and remove the air filter. (Fig. 56 )
2. Clean the air filter with warm soap water. Make sure that the air filter is dry before you install it.
3. Replace the air filter if it is too dirty to fully clean it. Always replace a damaged air filter.
4. If your product has a foam air filter, apply air filter oil. Only apply air filter oil to a foam filter. Do not apply oil to a felt filter.

### To apply air filter oil to the air filter



**CAUTION:** Always use special air filter oil on foam air filters. Do not use other types of oil.



**WARNING:** Do not get oil on your body.

1. Remove the air filter cover and remove the air filter. (Fig. 57 )
2. Put the air filter in a plastic bag.

3. Put the air filter oil in the plastic bag.(Fig. 58 )
4. Push the plastic bag to make sure the oil supplies equally across the air filter.
5. Push on the air filter, while in the bag, to remove the air filter oil that is not necessary. Remove the air filter from the bag.

6. Install the air filter.

### To add grease to the bevel gear

Make sure that the bevel gear is filled 3/4 full with bevel gear grease.

(Fig. 59 )

## TECHNICAL DATA

	unit		
<b>Engine Specifications</b>			
Cylinder displacement	cm <sup>3</sup>	27,6	27,6
Electrode gap	mm	0,5	0,5
Fuel tank volume	cm <sup>3</sup>	343	343
Idling speed	min <sup>-1</sup>	2800 - 3200	2800 - 3200
Maximum power speed	min <sup>-1</sup>	8000	8000
Power output	kW	0,85	0,85
Spark plug		Husqvarna HQT-4	Husqvarna HQT-4
Maximum output shaft rotation	min <sup>-1</sup>	8500	7200
Emissions durability period according to California Air Resources Board	h	125	125
Emission durability period	h	125	125
<b>Noise and Vibration Data</b>			
Equivalent vibration level (ahv, eq) left handle - see note 1	m/s <sup>2</sup>	3,64	9,9
Equivalent vibration level (ahv, eq) right handle - see note 1	m/s <sup>2</sup>	3,59	8,9
Sound power level, guaranteed (L <sub>WA</sub> ) - see note 2	dB(A)	114	114
Sound power level, measured - see note 2	dB(A)	106	105
Sound pressure level at operator's ear - see note 3	dB(A)	93	95
<b>Product Dimensions</b>			
Weight (excluding cutting equipment)	kg	4,6	5,2
<p><b>Note 1:</b> Reported data for equivalent vibration level has a typical statistical dispersion (standard deviation) of 1 m/s<sup>2</sup>.</p> <p><b>Note 2:</b> Noise emissions in the environment measured as sound power (L<sub>WA</sub>) in conformity with EC directive 2000/14/ EC. Reported sound power level for the machine has been measured with the original cutting attachment that gives the highest level. The difference between guaranteed and measured sound power is that the guaranteed sound power also includes dispersion in the measurement result and the variations between different machines of the same model according to Directive 2000/14/EC.</p> <p><b>Note 3:</b> Reported data for equivalent sound pressure level for the machine has a typical statistical dispersion (standard deviation) of 1 dB (A).</p>			

## ACCESSORIES

129C		
Approved accessories	Type	Cutting attachment guard
Thread shaft (3/8 R)		
Trimmer head	T25 (Ø 2.0 - 2.4 mm)	580 44 66-10
129L, 129LK		
Approved accessories	Type	Cutting attachment guard
Threaded shaft (M10L)		
Trimmer head	T25 (Ø 2.0 - 2.4 mm)	580 44 66-06

Optional accessories	Type	Use with
Sweeper attachment with shaft	SR600	129LK
Hedge trimmer attachment with shaft	HA850	129LK
Edger attachment with shaft	EA850	129LK
Saw attachment with shaft	PA1100	129LK
Cultivator attachment with shaft	CA150	129LK
Grass trimmer attachment with shaft	TA850	129LK
Saw attachment with shaft	PAX1100	129LK
Saw attachment with shaft	PAX730	129LK

## EMISSION CONTROL WARRANTY STATEMENT

**IMPORTANT:** This product is compliant with U.S. EPA Phase 3 regulations for exhaust and evaporative emissions. To ensure EPA Phase 3 compliance, we recommend using only genuine replacement parts. Use of non-compliant replacement parts is a violation of federal law.

**YOUR WARRANTY RIGHTS AND OBLIGATIONS:** The U.S. Environmental Protection Agency, California Air Resources Board, Environment Canada and Husqvarna Consumer Outdoor Products N.A., Inc. (HCOP) are pleased to explain the emissions control system warranty on your year 2017 and later off-road engine. In California, all small off-road engines must be designed, built, and equipped to meet the State's stringent anti-smog standards. HCOP must warrant the emission control system on your small off-road engine for the periods of time listed below provided there has been no abuse, neglect, or improper maintenance of your small

off-road engine. Your emission control system includes parts such as the carburetor, the ignition system and the fuel tank, line, and cap. Where a warrantable condition exists, HCOP will repair your small off-road engine at no cost to you. Expenses covered under warranty include diagnosis, parts and labor.

**MANUFACTURER'S WARRANTY COVERAGE:** If any emissions related part on your engine (as listed under Emissions Control Warranty Parts List) is defective or a defect in the materials or workmanship of the engine causes the failure of such an emission related part, the part will be repaired or replaced by HCOP.

**OWNER'S WARRANTY RESPONSIBILITIES:** As the small off-road engine owner, you are responsible for the performance of the required maintenance listed in your instruction manual. HCOP recommends that you retain all receipts covering maintenance on your small off-road engine, but HCOP cannot deny warranty solely for the lack of receipts or for your failure to ensure the

performance of all scheduled maintenance. As the small off-road engine owner, you should be aware that HCOP may deny you warranty coverage if your small off-road engine or a part of it has failed due to abuse, neglect, improper maintenance, unapproved modifications, or the use of parts not made or approved by the original equipment manufacturer. You are responsible for presenting your small off-road engine to a HCOP authorized repair center as soon as a problem exists. Warranty repairs should be completed in a reasonable amount of time, not to exceed 30 days. If you have any questions regarding your warranty rights and responsibilities, you should contact your nearest authorized service center.

Please call HCOP at 1-800-487-5951 (USA) or 1-800-805-5523 (Canada) or send e-mail correspondence to [emissions@husqvarnagroup.com](mailto:emissions@husqvarnagroup.com).

**WARRANTY COMMENCEMENT DATE:** The warranty period begins on the date the small off-road engine is purchased.

**LENGTH OF COVERAGE:** This warranty shall be for a period of two years from the initial date of purchase, or until the end of the product warranty (whichever is longer).

**WHAT IS COVERED: REPAIR OR REPLACEMENT OF PARTS.** Repair or replacement of any warranted part will be performed at no charge to the owner at an approved HCOP servicing center. If you have any questions regarding your warranty rights and responsibilities, you should contact your nearest authorized service center. Please call HCOP at 1-800-487-5951 (USA) or 1-800-805-5523 (Canada) or send e-mail correspondence to [emissions@husqvarnagroup.com](mailto:emissions@husqvarnagroup.com).

**WARRANTY PERIOD:** Any warranted part which is not scheduled for replacement as required maintenance, or which is scheduled only for regular inspection to the effect of "repair or replace as necessary" shall be warranted for 2 years. Any warranted part which is scheduled for replacement as required maintenance shall be warranted for the period of time up to the first scheduled replacement point for that part.

**DIAGNOSIS:** The owner shall not be charged for diagnostic labor which leads to the determination that a warranted part is defective if the diagnostic work is performed at an approved HCOP servicing center.

**CONSEQUENTIAL DAMAGES:** HCOP may be liable for damages to other engine components caused by the failure of a warranted part still under warranty.

**WHAT IS NOT COVERED:** All failures caused by abuse, neglect, or improper maintenance are not covered.

**ADD-ON OR MODIFIED PARTS:** The use of add-on or modified parts can be grounds for disallowing a warranty claim. HCOP is not liable to cover failures of warranted parts caused by the use of add-on or modified parts.

**HOW TO FILE A CLAIM:** If you have any questions regarding your warranty rights and responsibilities, you

should contact your nearest authorized HCOP service center. Please call HCOP at 1-800-487-5951 (USA) or 1-800-805-5523 (Canada) or send e-mail correspondence to [emissions@husqvarnagroup.com](mailto:emissions@husqvarnagroup.com).

**WHERE TO GET WARRANTY SERVICE:** Warranty services or repairs shall be provided at all HCOP service centers. Please call HCOP at 1-800-487-5951 (USA) or 1-800-805-5523 (Canada) or send e-mail correspondence to [emissions@husqvarnagroup.com](mailto:emissions@husqvarnagroup.com).

**MAINTENANCE, REPLACEMENT AND REPAIR OF EMISSION RELATED PARTS:** Any HCOP approved replacement part used in the performance of any warranty maintenance or repair on emission related parts will be provided without charge to the owner if the part is under warranty.

**EMISSION CONTROL WARRANTY PARTS LIST:** Carburetor, air filter (covered up to maintenance schedule), ignition system: spark plug (covered up to maintenance schedule), ignition module, muffler including catalyst (if equipped), fuel tank, line, and cap.

**MAINTENANCE STATEMENT:** The owner is responsible for the performance of all required maintenance as defined in the instruction manual.

---

# Contenido

---

INTRODUCCIÓN.....	19	DATOS TÉCNICOS.....	26
SEGURIDAD.....	20	ACCESORIOS.....	27
ARMADO.....	23	DECLARACIÓN DE GARANTÍA DEL CONTROL DE EMISIONES.....	28
OPERACIÓN.....	23	.....	0
MANTENIMIENTO.....	25		

---

## INTRODUCCIÓN

---

### Manual del usuario

El idioma original de este manual de usuario es el inglés. Los manuales de usuario en otros idiomas son traducciones del inglés.

### Descripción general

(Fig. 1 )

1. Cabezal de corte
2. Tapón de llenado de grasa
3. Engranaje angulado
4. Protección del equipo de corte
5. Eje
6. Mango cerrado
7. Gatillo del acelerador
8. Interruptor de detención
9. Bloqueo del acelerador
10. Sombbrero de bujía y bujía
11. Cuerpo del mecanismo de arranque
12. Empuñadura de la cuerda de arranque
13. Depósito de combustible
14. Cubierta del filtro de aire
15. Pera de cebado
16. Estrangulador
17. Disco de arrastre
18. Manual del usuario

(Fig. 10 ) El producto puede provocar que los objetos salgan expulsados, lo que puede causar daños a los ojos.

(Fig. 11 ) El producto puede provocar que los objetos salgan expulsados, lo que puede causar daños a los ojos.

(Fig. 12 ) Velocidad máxima del eje de salida.

(Fig. 13 ) Distancia de seguridad

(Fig. 14 ) Utilice solo hilos autorizados para la recortadora. No utilice una cuchilla.

(Fig. 15 ) No utilice un equipo de corte de metal.

(Fig. 16 ) Si tiene el cabello largo, asegúrese de amarrarlo sobre sus hombros.

(Fig. 17 ) Las flechas muestran los límites de la posición de la palanca.

### Advertencia sobre productos químicos

(Fig. 2 )

### Símbolos en el producto

(Fig. 3 ) Advertencia

(Fig. 4 ) Lea este manual.

(Fig. 5 ) Use protección para la cabeza aprobada.

(Fig. 6 ) Use protección auricular aprobada.

(Fig. 7 ) Use protección ocular aprobada.

(Fig. 8 ) Use guantes protectores aprobados.

(Fig. 9 ) Use zapatos/botas de protección.

---

**Tenga en cuenta:** Otros símbolos o etiquetas del producto hacen referencia a requisitos de certificación para otras zonas comerciales.

---

### Responsabilidad del fabricante

Como se menciona en las leyes de responsabilidad del fabricante, no nos hacemos responsables de los daños que cause nuestro producto si:

- el producto se repara incorrectamente
- el producto se repara con piezas que no son del fabricante o que este no autoriza
- el producto tiene un accesorio que no es del fabricante o que este no autoriza
- el producto no se repara en un centro de servicio autorizado o por una autoridad aprobada.

---

# SEGURIDAD

---

## Definiciones de seguridad

Las siguientes definiciones proporcionan el nivel de gravedad de cada palabra clave.



**ADVERTENCIA:** Lesiones a personas.



**AVISO:** Daños en el producto.

**Tenga en cuenta:** Esta información hace que el producto sea más fácil de usar.

## Instrucciones generales de seguridad

- Utilice el producto correctamente. Las lesiones graves o fatales son un posible resultado de un uso incorrecto. Solo utilice el producto para las tareas que aparecen en este manual. No utilice el producto para otras tareas.
- Obedezca las instrucciones contenidas en este manual. Obedezca los símbolos y las instrucciones de seguridad. Si el usuario no obedece las instrucciones y los símbolos, es posible que se produzcan daños y lesiones tanto graves como fatales.
- No deseché este manual. Utilice las instrucciones para montar, operar y mantener el producto en buen estado. Utilice las instrucciones para la correcta instalación de piezas y accesorios. Utilice solamente piezas y accesorios homologados.
- No use un producto dañado. Cumpla con el programa de mantenimiento. Realice solamente las tareas de mantenimiento en las que se detallan instrucciones en este manual. Un centro de servicio autorizado debe realizar todos los demás trabajos de mantenimiento.
- En este manual no se pueden abarcar todas las situaciones que pueden ocurrir cuando se utiliza el producto. Tenga cuidado y use el sentido común. No haga funcionar el producto ni realice mantenimientos si no está seguro acerca de la situación. Hable con un experto en el producto, su distribuidor, el agente de servicio o un centro de servicio autorizado para obtener más información.
- Desconecte el cable de la bujía antes de montar o almacenar el producto, o realizar tareas de mantenimiento.
- No utilice el producto si cambia su especificación inicial. No cambie una parte del producto sin la aprobación del fabricante. Utilice solamente las piezas que están aprobadas por el fabricante. Las

lesiones graves o fatales son un posible resultado de un mantenimiento incorrecto.

- No respire los humos del motor. La inhalación prolongada de los gases de escape es un riesgo para la salud.
- No encienda el producto en interiores o cerca de materiales inflamables. Los gases de escape están muy calientes y pueden crear incendios debido a la creación de chispas. Un flujo de aire insuficiente puede causar lesiones graves o fatales por asfixia o debido al monóxido de carbono.
- Cuando utilice este producto, el motor crea un campo electromagnético. El campo electromagnético puede causar daños a implantes médicos. Hable con su médico y fabricante del implante antes de utilizar el producto.
- No deje que un niño utilice el producto. No permita que una persona que no conozca las instrucciones utilice el producto.
- Asegúrese de supervisar siempre a una persona con capacidades físicas o mentales limitadas que utilice el producto. Debe haber un adulto responsable en todo momento.
- Mantenga el producto en un área a la cual los niños y las personas no autorizadas no puedan acceder.
- El producto puede expulsar objetos y causar lesiones. Siga las instrucciones de seguridad para reducir el riesgo de lesiones graves o fatales.
- No se aleje del producto cuando el motor esté en marcha.
- El operador del producto es responsable en caso de un accidente.
- Asegúrese de que las piezas no estén dañadas antes de utilizar el producto.
- Asegúrese de estar al menos 15 m (50 pies) de distancia de otras personas o animales antes de utilizar el producto. Asegúrese de que una persona en el área adyacente sepa que utilizará el producto.
- Consulte las leyes locales o nacionales. Estas pueden evitar o disminuir el funcionamiento del producto en algunas condiciones.
- No utilice el producto si está cansado o bajo la influencia de alcohol, drogas o medicamentos. Pueden tener efectos sobre su visión, estado de alerta, coordinación o criterio.

## Instrucciones de seguridad para el funcionamiento

- Asegúrese de que el producto esté completamente montado antes de usarlo.
- Antes de comenzar, mueva el producto 3 m (10 pies) de distancia desde la posición donde llenó el depósito de combustible. Coloque el producto sobre una superficie plana. Asegúrese de que el equipo de corte no toque el suelo u otros objetos.



- El producto puede provocar que los objetos salgan expulsados, lo que puede causar daños a los ojos. Use siempre protección ocular autorizada cuando utilice el producto.
- Tenga cuidado, un niño puede acercarse al producto sin que lo note mientras se encuentra en funcionamiento.
- No utilice el producto si hay personas en el área de trabajo. Detenga el producto si una persona entra al área de trabajo.
- Asegúrese de estar siempre en control del producto.
- No utilice el producto si no puede recibir ayuda en caso de un accidente. Asegúrese siempre de que los demás sepan que va a utilizar el producto antes de comenzar a utilizarlo.
- No gire con el producto sin asegurarse de que no haya personas ni animales en la zona de seguridad.
- Retire todos los materiales no deseados del área de trabajo antes de empezar. Si el equipo de corte choca contra un objeto, el objeto se puede expulsar y causar lesiones o daños. El material no deseado puede enredarse en el equipo de corte y causar daños.
- No utilice el producto en malas condiciones climáticas (niebla, lluvia, vientos fuertes, riesgo de rayos u otros tipos de condiciones climáticas). Las condiciones peligrosas (como superficies resbaladizas) se pueden producir debido al mal clima.
- Asegúrese de poder moverse libremente y trabajar en una posición estable.

(Fig. 18)

- Asegúrese de no correr riesgos de caídas cuando utilice el producto. No se incline cuando utilice el producto.
- Siempre sostenga el producto con las dos manos. Mantenga el producto al lado derecho de su cuerpo.

(Fig. 19)

- Utilice el producto con el equipo de corte por debajo de la cintura.
- Si el estrangulador está en la posición de estrangulamiento cuando el motor arranca, el equipo de corte comienza a girar.
- No toque el engranaje angulado después de que se detenga el motor. El engranaje angulado está caliente después de que el motor se detiene. Las áreas calientes pueden causar lesiones.
- Detenga el motor antes de mover el producto.
- No deje el producto en el suelo con el motor encendido.
- Antes de eliminar el material no deseado del producto, detenga el motor y espere hasta que el equipo de corte se detenga. Deje que el equipo de corte se detenga antes de que usted o un ayudante quiten el material de corte.

## Equipo de protección personal

- Utilice siempre el equipo de protección personal adecuado cuando utilice el producto. El equipo de

protección personal no elimina el riesgo de lesiones. El equipo de protección personal disminuye el grado de la lesión en caso de un accidente.

- Use siempre protección ocular autorizada cuando utilice el producto.
- No utilice el producto con los pies descalzos o con zapatos abiertos. Use siempre botas antideshlizantes de servicio pesado.
- Utilice pantalones largos y gruesos.
- Si es necesario, utilice guantes de protección aprobados.
- Use un casco si existe la posibilidad de que caigan objetos sobre su cabeza.
- Use siempre protectores auriculares autorizados cuando utilice el producto. Escuchar ruidos durante un largo período puede provocar pérdida de audición inducida por el ruido.
- Asegúrese de tener un botiquín de primeros auxilios.

## Dispositivos de protección en el producto

- Asegúrese de realizar el mantenimiento del producto frecuentemente.
  - Esto aumenta la vida útil del producto.
  - Disminuye el riesgo de accidentes.

Permita que un concesionario autorizado o un centro de servicio autorizado examinen frecuentemente el producto para realizar ajustes o reparaciones.

- No use un producto con equipo de protección dañado. Si el producto está dañado, comuníquese con un centro de servicio autorizado.

## Bloqueo del acelerador

El bloqueo del acelerador bloquea el acelerador. (Fig. 20)

Presione el bloqueo del acelerador (A) para liberar el acelerador (B). Cuando suelta la manija, tanto el bloqueo del acelerador como el acelerador vuelven a sus posiciones iniciales.

1. Asegúrese de que el acelerador (B) se encuentre bloqueado al ralentí cuando suelte el bloqueo del acelerador (A).
2. Presione el bloqueo del acelerador (A) y asegúrese de que vuelva a su posición inicial cuando lo suelte.
3. Presione el acelerador (B) y asegúrese de que vuelva a su posición inicial cuando lo suelte.

Encienda el motor y aplique la aceleración máxima. Suelte el acelerador y examine si el equipo de corte se detiene. Si el equipo de corte gira con el acelerador en la posición de ralentí, examine el tornillo de ajuste de ralentí del carburador.

## Interruptor de detención

Arranque el motor. Asegúrese de que el motor se detenga cuando mueva el interruptor de detención a la posición de detención.

(Fig. 21 )

## Protección del equipo de corte

La protección del equipo de corte evita que un objeto suelto salga expulsado en dirección al usuario.

(Fig. 22 )

Examine la protección del equipo de corte en busca de daños y reemplácela si está dañada. Utilice solamente la protección aprobada para el equipo de corte.

## Silenciador

- No utilice un motor con un silenciador dañado. Un silenciador dañado aumenta el nivel de ruido y el riesgo de incendio. Mantenga un extintor de incendios cerca.
- Examine frecuentemente que el silenciador esté unido al producto.
- No toque el motor o el silenciador cuando el motor esté en marcha. No toque el motor o el silenciador por un tiempo después de que el motor se detenga. Las superficies calientes pueden causar lesiones.
- Un silenciador caliente puede provocar un incendio. Tenga cuidado si utiliza el producto cerca de líquidos inflamables o gases.
- No toque las piezas del silenciador si el silenciador está dañado. Las piezas pueden contener algunos productos químicos cancerígenos.

## Equipo de corte

- Realice el mantenimiento periódico. Permita que un centro de servicio autorizado examine frecuentemente el equipo de corte para realizar ajustes o reparaciones.
  - El rendimiento del equipo de corte aumenta.
  - La vida útil del equipo de corte aumenta.
  - Disminuye el riesgo de accidentes.
- Solamente utilice una protección aprobada para el equipo de corte. Para obtener más información, consulte *DATOS TÉCNICOS* en la página 26.
- No utilice un equipo de corte dañado.

## Cabezal de corte para hierba

- Asegúrese de enrollar el hilo de la recortadora de césped firme y equitativamente alrededor del tambor para disminuir la vibración.
- Utilice solamente cabezales e hilos de corte para hierba aprobados. Consulte *DATOS TÉCNICOS* en la página 26.
- Utilice una longitud correcta de hilo para la recortadora. Un hilo largo para la recortadora utiliza más potencia del motor que un hilo corto.
- Asegúrese de que la cortadora en la protección del equipo de corte no está dañada.
- Empape el hilo de la recortadora de césped en agua durante 2 días antes de conectarlo al producto. Esto aumenta la vida útil del hilo de la recortadora de césped.

## Seguridad de combustible

- No arranque el producto si hay combustible o aceite de motor en el producto. Quite el combustible o aceite no deseado y deje secar el producto. Quite el combustible no deseado del producto.
- Si derrama combustible en su ropa, cámbiese la ropa inmediatamente.
- No permita que le caiga combustible en el cuerpo, ya que puede causar lesiones. Si le cae combustible en el cuerpo, utilice jabón y agua para quitarlo.
- No arranque el motor si derrama aceite o combustible en el producto o en su cuerpo.
- No arranque el producto si el motor tiene una fuga. Examine frecuentemente el motor en busca de fugas.
- Tenga cuidado con el combustible. El combustible es inflamable y los gases son explosivos y pueden causar lesiones graves o fatales.
- No respire los gases del combustible, ya que pueden causar lesiones. Asegúrese de que haya suficiente flujo de aire.
- No fume cerca del combustible o del motor.
- No coloque objetos calientes cerca del combustible o del motor.
- No agregue combustible cuando el motor esté en marcha.
- Asegúrese de que el motor se enfríe antes de llenar el depósito de combustible.
- Antes de llenar el depósito de combustible, abra lentamente la tapa del depósito de combustible y libere la presión con cuidado.
- No agregue combustible al motor en un área interior. Un flujo de aire insuficiente puede causar lesiones graves o fatales por asfixia o debido al monóxido de carbono.
- Apriete la tapa del depósito de combustible con cuidado para evitar incendios.
- Mueva el producto a un mínimo de 3 m (10 pies) de la posición en la que se llenó el depósito antes de empezar.
- No ponga demasiado combustible en el depósito de combustible.
- Asegúrese de que no se puedan provocar fugas cuando mueva el producto o el recipiente de combustible.
- No coloque el producto ni un recipiente de combustible donde haya una llama expuesta, una chispa o una fuente de calor. Asegúrese de que no haya una llama expuesta en el área de almacenamiento.
- Utilice solamente contenedores aprobados cuando mueva el combustible o coloque el combustible en el almacenamiento.
- Vacíe el depósito de combustible antes de un almacenamiento a largo plazo. Cumpla con las leyes locales en cuanto al lugar en dónde se puede deshacer del combustible.

- Limpie el producto antes de un almacenamiento a largo plazo.
- Retire el cable de la bujía antes de almacenar el producto, para asegurarse de que el motor no arranque accidentalmente.

centro de servicio. No utilice el producto hasta que esté correctamente ajustado o reparado.

## Instrucciones de seguridad para el mantenimiento

- Si no puede ajustar el régimen de ralentí para detener el equipo de corte, comuníquese con su

---

## ARMADO

---



**ADVERTENCIA:** Lea el capítulo de seguridad antes de montar el producto.

### Para conectar el mango cerrado

1. Conecte el mango cerrado al eje como se muestra en la ilustración y apriete.(Fig. 23 )
2. Asegúrese de conectar el mango cerrado entre las flechas del eje.

### Para montar el eje de dos piezas

1. Gire la perilla para aflojar el acoplamiento del eje. (Fig. 24 )
2. Alinee la lengüeta del eje (A) con la flecha en el acoplamiento del eje (B).(Fig. 25 )
3. Empuje el eje para que entre en el acoplamiento hasta que se conecte.(Fig. 26 )
4. Asegúrese de apretar la perilla antes de utilizar el producto.(Fig. 27 )

### Para desmontar el eje de dos piezas

1. Gire la perilla para aflojar el acoplamiento del eje. (Fig. 28 )
2. Mantenga presionado el botón (C).(Fig. 29 ) Sostenga el extremo del motor y saque el eje del acoplamiento de este.

### Para montar el equipo de corte

#### Para conectar la protección del equipo de corte y el cabezal de corte (eje recto)

1. Conecte la protección del equipo de corte (A) al eje con el perno (L).(Fig. 30 ) Asegúrese de utilizar la protección correcta para el equipo de corte y el cabezal de corte correcto.
2. Conecte el disco de arrastre (B) al eje de salida.
3. Gire el eje de salida hasta que el orificio en el disco de arrastre se alinee con el orificio en la caja de engranajes.
4. Coloque un destornillador pequeño (C) en el orificio para bloquear el eje.(Fig. 31 )
5. Gire el cabezal de corte (H) hacia la izquierda para apretar el cabezal de corte a la caja de cambios. (roscas izquierdas).(Fig. 32 )

#### Para conectar la protección del equipo de corte y el cabezal de corte (eje curvado)

1. Fije la protección.(Fig. 33 ) Apriete la tuerca.
2. Fije el cubo guardapolvo en el eje.(Fig. 34 )
3. Fije el cubo guardapolvo con una llave ajustable para asegurarse de que el eje no gire.
4. Conecte el cabezal de corte al eje. Gire el cabezal de corte hacia la derecha.

---

## OPERACIÓN

---



**ADVERTENCIA:** Asegúrese de leer y comprender el capítulo de seguridad antes de utilizar el producto.

la mezcla. Una relación incorrecta de gasolina y aceite puede provocar daños al motor.

### Combustible

#### Para utilizar combustible



**AVISO:** Este producto tiene un motor de dos ciclos. Utilice una mezcla de gasolina y de aceite del motor de dos ciclos. Asegúrese de utilizar la cantidad correcta de aceite en

### Gasolina



**AVISO:** No utilice gasolina con un octanaje inferior a 90 RON (87 AKI). Esto puede provocar daños al producto.



**AVISO:** No utilice gasolina con más de un 10 % de etanol concentrado (E10). Esto puede provocar daños al producto.

- Siempre utilice gasolina sin plomo nueva con un octanaje mínimo de 90 RON (87 AKI) y con menos de un 10 % de etanol concentrado (E10).
- Use gasolina con un octanaje superior si con frecuencia utiliza el producto a velocidades de motor continuamente altas.

### Aceite para motor de dos ciclos

- Use solamente aceite de motor de dos ciclos de alta calidad. Utilice solamente aceite de motor enfriado por aire.
- No utilice otros tipos de aceite.
- Proporción de mezcla 50:1 (2 %)

Gasolina	Aceite
1 gal EE. UU.	77 ml (2,6 oz)
1 gal británico	95 ml (3,2 oz)
5 l	100 ml (3,4 oz)

### Para hacer la mezcla de combustible

**Tenga en cuenta:** Use siempre un recipiente de combustible limpio cuando mezcle el combustible.

**Tenga en cuenta:** No realice una cantidad de mezcla de combustible para más de 30 días.

1. Agregue la mitad de la cantidad de gasolina.
2. Agregue la cantidad total de aceite.
3. Agite la mezcla de combustible para mezclar el contenido.
4. Agregue la cantidad restante de gasolina.
5. Agite la mezcla de combustible para mezclar el contenido.
6. Llene el depósito de combustible.

### Para agregar combustible

- Utilice siempre un recipiente de combustible con una válvula antiderrames.
- Si hay combustible en el recipiente, retire el combustible no deseado y deje que el contenedor se seque.
- Asegúrese de que el área cerca de la tapa del depósito de combustible está limpia.
- Agite el recipiente de combustible antes de agregar la mezcla de combustible al tanque de combustible.

## Para arrancar y detener

### Antes de arrancar el motor

- Examine el producto para ver si hay piezas dañadas, sueltas, desgastadas o faltantes.
- Examine las tuercas, los tornillos y los pernos.
- Examine el filtro de aire.
- Examine el bloqueo del acelerador y el control del acelerador para un funcionamiento correcto.
- Examine el interruptor de detención para su correcto funcionamiento.
- Examine el producto en busca de fugas de combustible.
- Examine el filo y la tensión de la cadena de sierra.

### Para arrancar un motor frío

1. Presione el cebador 10 veces.(Fig. 35 )
2. Tire del estrangulador hacia arriba.(Fig. 36 )
3. Mantenga el cuerpo del producto en el suelo con la mano izquierda.(Fig. 37 ) No se pare sobre el producto. Tire de la empuñadura de la cuerda de arranque lentamente hasta que sienta resistencia. A continuación, tire de la empuñadura de la cuerda de arranque con fuerza.

**Tenga en cuenta:** No tire del acelerador cuando arranque el motor.

4. Siga tirando la empuñadura de la cuerda de arranque hasta que el motor arranque o intente arrancar (máximo de 3 tiros). Si el motor arranca o intenta arrancar, mantenga presionado el estrangulador. Siga tirando hasta que arranque el motor. Espere 60 segundos después del arranque antes de tirar el acelerador.



**AVISO:** No tire de la cuerda de arranque hasta que se detenga. No suelte la cuerda de arranque cuando esté totalmente extendida. Suelte la cuerda de arranque lentamente. Si no se siguen estas instrucciones, se pueden producir daños en el motor.

### Para arrancar un motor caliente

1. Presione el cebador 10 veces.
2. Tire de la cuerda de arranque hasta que el motor arranque.

### Para detenerlo

- Presione el interruptor de detención para detener el motor.(Fig. 38 )

**Tenga en cuenta:** El interruptor de detención regresa automáticamente a su posición inicial.

## Para utilizar la recortadora de césped



**AVISO:** Asegúrese de disminuir la velocidad del motor hasta un régimen de ralentí después de cada operación. Un largo período con el acelerador al máximo y sin carga en el motor puede causar daños a este último.

**Tenga en cuenta:** Limpie la cubierta del cabezal de corte cuando coloque un nuevo hilo para la recortadora a fin de evitar las vibraciones. Examine otras piezas del cabezal de corte y límpielas si es necesario.

### Para recortar el césped

1. Sostenga el cabezal de corte inmediatamente sobre el nivel del suelo en un ángulo.(Fig. 39 ) No presione la línea de la recortadora de césped contra este.
2. Disminuya la longitud del hilo de la recortadora de césped en unos 10-12 cm (4-4,75 pulgadas) y disminuya el régimen del motor para disminuir el riesgo de daño a las plantas.
3. Use una aceleración de un 80 % cuando corte el césped cerca de objetos.(Fig. 40 )

## Para cortar el césped

1. Asegúrese de que el hilo de la recortadora de césped esté paralelo al suelo cuando corte.(Fig. 41 )
2. No presione el cabezal de corte contra el suelo. Puede dañar el suelo y el producto.
3. No permita que el cabezal de corte toque el suelo continuamente, ya que esto puede causar daños al cabezal de corte.
4. Utilice una aceleración máxima cuando mueva el producto de lado a lado para recortar el césped.(Fig. 42 ) Asegúrese de que el hilo de la recortadora de césped esté paralelo al suelo.

## Para sustituir el hilo de la recortadora

(Fig. 43 )  
(Fig. 44 )  
(Fig. 45 )  
(Fig. 46 )  
(Fig. 47 )  
(Fig. 48 )  
(Fig. 49 )  
(Fig. 50 )

## MANTENIMIENTO



**ADVERTENCIA:** Asegúrese de leer y comprender el capítulo de seguridad antes de limpiar, reparar o realizar el mantenimiento del producto.

## Programa de mantenimiento

Asegúrese de cumplir con el programa de mantenimiento. Los intervalos se calculan a partir del uso diario del producto. Los intervalos son diferentes si no utiliza el producto todos los días. Realice solamente las tareas de mantenimiento que se encuentran en este manual. Hable con un centro de servicio aprobado acerca de los trabajos de mantenimiento que no aparezcan en este manual.

### Mantenimiento semanal

- Limpie las superficies externas.
- Examine el régimen de ralentí.
- Examine la grasa del engranaje angulado (eje recto).

### Mantenimiento mensual

- Examine la empuñadura de la cuerda de arranque y la cuerda de arranque.

### Mantenimiento anual

- Examine la bujía.
- Aplique grasa en el extremo del eje propulsor (eje de dos piezas).

- Limpie las superficies externas del carburador y sus zonas adyacentes.
- Limpie el sistema de refrigeración.
- Examine la rejilla apagachispas.
- Examine el filtro de combustible.
- Examine la manguera de combustible en busca de daños.
- Examine todos los cables y conexiones.

### Mantenimiento de 50 horas

- Recorra a un centro de servicio autorizado para que reparen o reemplacen el silenciador.

## Para ajustar el régimen de ralentí

- Asegúrese de que el filtro de aire esté limpio y que la cubierta del filtro de aire esté instalada antes de ajustar el régimen de ralentí.
  - Ajuste el régimen de ralentí con el tornillo de ajuste de ralentí T, el cual se identifica con la marca "T".
  - El régimen de ralentí es el correcto cuando el motor funciona correctamente en todas las posiciones. El régimen de ralentí debe ser inferior a la velocidad cuando el equipo de corte empieza a girar.
1. Gire el tornillo de ajuste de ralentí hacia la derecha hasta que el equipo de corte comience a girar.(Fig. 51 )
  2. Gire el tornillo de ajuste de ralentí hacia la izquierda hasta que el equipo de corte se detenga.

## Para realizar tareas de mantenimiento en la rejilla apagachispas

Use un cepillo de alambre para limpiar la rejilla apagachispas.  
(Fig. 52)

## Para limpiar el sistema de refrigeración

Limpie las piezas del sistema de refrigeración con un cepillo.

(Fig. 53)

## Para examinar la bujía



**AVISO:** Utilice la bujía recomendada. Asegúrese de que la pieza de reemplazo sea la misma que la que proporciona el fabricante. Una bujía incorrecta puede causar daños al producto.

1. Examine la bujía cuando:
  - a) el motor tenga poca potencia.
  - b) el motor no arranque fácilmente.
  - c) el motor no funcione correctamente a régimen de ralentí.
2. Si el motor no arranca o funciona fácilmente, examine la bujía en busca de materiales no deseados. Para disminuir el riesgo de material no deseado en los electrodos de la bujía:
  - a) asegúrese de que el régimen de ralentí esté ajustado correctamente.
  - b) asegúrese de que la mezcla de combustible es la correcta.
  - c) asegúrese de que el filtro de aire esté limpio.
3. Limpie la bujía si está sucia. Revise que la separación entre los electrodos sea la correcta.(Fig. 54)
4. Reemplace la bujía cuando sea necesario.

## Aplique grasa al eje de dos piezas

- Aplique grasa al extremo del eje propulsor cada 30 horas de funcionamiento.(Fig. 55)

## Para realizar el mantenimiento del filtro de aire

## Para limpiar el filtro de aire

1. Quite la cubierta del filtro de aire y retire el filtro de aire.(Fig. 56)
2. Limpie el filtro de aire con agua jabonosa caliente. Asegúrese de que el filtro de aire esté seco antes de instalarlo.
3. Reemplace el filtro de aire si está demasiado sucio para limpiarlo completamente. Siempre reemplace un filtro de aire dañado.
4. Si su producto tiene un filtro de aire de espuma, aplique aceite del filtro de aire. Solo aplique aceite del filtro de aire a un filtro de espuma. No aplique aceite a un filtro de fieltro.

## Para aplicar aceite del filtro de aire al filtro de aire



**AVISO:** Utilice siempre un aceite especial de filtros de aire en los filtros de aire de espuma. No utilice otros tipos de aceite.



**ADVERTENCIA:** Evite que le caiga aceite en el cuerpo.

1. Quite la cubierta del filtro de aire y retire el filtro de aire.(Fig. 57)
2. Coloque el filtro de aire en una bolsa de plástico.
3. Coloque el aceite del filtro de aire en una bolsa de plástico.(Fig. 58)
4. Empuje la bolsa de plástico para asegurarse de que el aceite se distribuya equitativamente en el filtro de aire.
5. Presione el filtro de aire, mientras se encuentra en la bolsa, para quitar el aceite que no sea necesario. Saque el filtro de aire de la bolsa.
6. Instale el filtro de aire.

## Para agregar grasa al engranaje angulado

Asegúrese de que la grasa para engranajes angulados llene 3/4 del engranaje angulado.

(Fig. 59)

## DATOS TÉCNICOS

	unidad		
Especificaciones del motor			

Cilindrada	cm <sup>3</sup>	27,6	27,6
Distancia entre los electrodos	mm	0,5	0,5
Volumen del depósito de combustible	cm <sup>3</sup>	343	343
Régimen de ralentí	min <sup>-1</sup>	2800 - 3200	2800 - 3200
Velocidad de potencia máxima	min <sup>-1</sup>	8000	8000
Potencia de salida	kW	0,85	0,85
Bujía		Husqvarna HQT-4	Husqvarna HQT-4
Rotación máxima del eje de salida	min <sup>-1</sup>	8500	7200
Período de durabilidad de las emisiones según la Junta de Recursos del Aire de California	h	125	125
Período de durabilidad de las emisiones	h	125	125
<b>Datos de ruido y vibración</b>			
Nivel de vibración equivalente (ahv, eq), mango izquierdo: consulte la nota 1	m/s <sup>2</sup>	3,64	9,9
Nivel de vibración equivalente (ahv, eq), mango derecho: consulte la nota 1	m/s <sup>2</sup>	3,59	8,9
Nivel de potencia acústica garantizada (L <sub>WA</sub> ): consulte la nota 2	dB (A)	114	114
Nivel de potencia acústica medida: consulte la nota 2	dB (A)	106	105
Nivel de presión acústica en el oído del operador: consulte la nota 3	dB (A)	93	95
<b>Dimensiones del producto</b>			
Peso (sin incluir el equipo de corte)	kg	4,6	5,2
<p><b>Nota 1:</b> Los datos informados para nivel de vibración equivalente tienen una dispersión estadística típica (desviación estándar) de 1 m/s<sup>2</sup>.</p> <p><b>Nota 2:</b> Las emisiones sonoras en el medioambiente medidas como potencia acústica (L<sub>WA</sub>) en conformidad con la directiva CE 2000/14/CE. El nivel de potencia acústica registrado para la máquina se midió con el equipo de corte original que proporciona el más alto nivel. La diferencia entre la potencia acústica garantizada y medida es que la potencia acústica garantizada también incluye la dispersión en el resultado de la medición y las variaciones entre las distintas máquinas del mismo modelo según la directiva 2000/14/CE.</p> <p><b>Nota 3:</b> Los datos registrados para el nivel de presión acústica equivalente para la máquina tienen una dispersión estadística típica (desviación estándar) de 1 dB (A).</p>			

## ACCESORIOS

<b>129C</b>		
<b>Accesorios aprobados</b>	<b>Tipo</b>	<b>Protección del equipo de corte</b>
Eje de roscado (3/8 R)		
Cabezal de corte	T25 (Ø 2,0 - 2,4 mm)	580 44 66-10

129L, 129LK		
Accesorios aprobados	Tipo	Protección del equipo de corte
Eje roscado (M10L)		
Cabezal de corte	T25 (Ø 2,0 - 2,4 mm)	580 44 66-06

Accesorios opcionales	Tipo	Usar con
Accesorio de barredora con eje	SR600	129LK
Accesorio de cortasetos con eje	HA850	129LK
Accesorio de rebordeadora con eje	EA850	129LK
Accesorio de sierra con eje	PA1100	129LK
Accesorio de cultivadora con eje	CA150	129LK
Accesorio de recortadora de césped con eje	TA850	129LK
Accesorio de sierra con eje	PAX1100	129LK
Accesorio de sierra con eje	PAX730	129LK

## DECLARACIÓN DE GARANTÍA DEL CONTROL DE EMISIONES

**IMPORTANTE:** Este producto cumple con la normativa Fase 3 de la EPA (Environmental Protection Agency, Agencia de Protección Medioambiental) de EE. UU. referente a emisiones de escape y evaporación. A fin de garantizar el cumplimiento de EPA Fase 3, recomendamos utilizar únicamente piezas de reemplazo originales. El uso de piezas de repuesto que no cumplan con esta norma es una violación de la ley federal.

**SUS DERECHOS Y OBLIGACIONES RESPECTO DE LA GARANTÍA:** La Agencia de protección medioambiental de EE. UU., el Consejo de recursos del aire de California, el Ministerio del medioambiente de Canadá y Husqvarna Consumer Outdoor Products N.A., Inc. (Productos de consumo para exteriores de Husqvarna, HCOP) se complacen en explicar la garantía del sistema de control de emisiones del motor para todo terreno año 2017 y posteriores. En el estado de California, todos los motores todo terreno pequeños deben estar diseñados, contruidos y equipados para cumplir los requisitos de los estrictos estándares de control de emisiones contaminantes del Estado. HCOP debe garantizar el sistema de control de emisiones del motor pequeño para todo terreno durante el período de tiempo que se indica a continuación, siempre y cuando no haya ningún abuso, negligencia ni mantenimiento incorrecto del motor pequeño para todo terreno. Su sistema de control de emisiones incluye piezas como el carburador, el sistema de encendido y el depósito de combustible, la línea y la tapa. Cuando exista una

condición cubierta por la garantía, HCOP reparará sin costo para usted el motor pequeño para todo terreno. Entre los gastos cubiertos por la garantía se incluyen el diagnóstico, las piezas y la mano de obra.

**COBERTURA DE LA GARANTÍA DEL FABRICANTE:** Si cualquier pieza en el motor relacionada con las emisiones (según se detalla en el listado de piezas de la garantía del control de emisiones) está defectuosa o si un defecto en los materiales o la mano de obra de los materiales causa una falla de dicha pieza relacionada con las emisiones, HCOP reparará o reemplazará la pieza.

**RESPONSABILIDADES DEL PROPIETARIO DURANTE EL PERÍODO DE GARANTÍA:** Como propietario del motor todo terreno pequeño, usted es responsable de la ejecución del mantenimiento necesario que se detalla en el manual de instrucciones. HCOP recomienda que conserve todos los recibos que cubran el mantenimiento del motor pequeño para todo terreno; sin embargo, HCOP no puede negar la garantía solo por la falta de recibos o porque no pueda garantizar la realización de todo el programa de mantenimiento. Como propietario del motor pequeño para todo terreno, debe tener presente que HCOP puede negar la cobertura de la garantía si el motor pequeño para todo terreno o parte de este falló debido al abuso, negligencia, mantenimiento incorrecto, modificaciones no aprobadas o el uso de piezas que no están hechas o no están aprobadas por el fabricante del equipo original. Usted es responsable de llevar el motor pequeño para



todo terreno a un centro de reparaciones autorizado por HCOP en cuanto haya un problema. Las reparaciones de garantía deberán ser completadas en un tiempo razonable que no deberá exceder los 30 días. Si tiene alguna pregunta en relación con sus derechos y responsabilidades durante el período de garantía, debe ponerse en contacto con el centro de servicio autorizado más cercano.

Llame a HCOP al 1-800-487-5951 (EE. UU.) o al 1-800-805-5523 (Canadá), o envíe un correo electrónico a [emissions@husqvarnagroup.com](mailto:emissions@husqvarnagroup.com).

**FECHA DE INICIO DE GARANTÍA:** El período de garantía comienza en la fecha de compra del motor todo terreno pequeño.

**DURACIÓN DE LA COBERTURA:** Esta garantía será válida por un período de dos años a partir de la fecha de compra inicial, o hasta el final de la garantía del producto (la que sea mayor).

**QUÉ ESTÁ CUBIERTO: REPARACIÓN O SUSTITUCIÓN DE PIEZAS.** La reparación o el reemplazo de cualquier pieza en garantía se realizarán sin cargo para el propietario en un centro de servicio aprobado por HCOP. Si tiene alguna pregunta en relación con sus derechos y responsabilidades durante el período de garantía, debe ponerse en contacto con el centro de servicio autorizado más cercano. Llame a HCOP al 1-800-487-5951 (EE. UU.) o al 1-800-805-5523 (Canadá), o envíe un correo electrónico a [emissions@husqvarnagroup.com](mailto:emissions@husqvarnagroup.com).

**PERÍODO DE GARANTÍA:** Toda pieza cubierta cuya sustitución no sea parte del mantenimiento requerido, o que esté sujeta a revisiones periódicas con el efecto de "reparar o sustituir según sea necesario" estará garantizadas por 2 años. Toda pieza que esté programada para su sustitución como parte del mantenimiento requerido estará garantizada por el período de tiempo hasta la primera sustitución programada de la pieza.

**DIAGNÓSTICO:** No se deben efectuar cargos al propietario por el trabajo de diagnóstico que lleva a determinar que la pieza garantizada está defectuosa, si el trabajo de diagnóstico se realiza en un centro de servicio aprobado por HCOP.

**DAÑOS INDIRECTOS:** HCOP podría ser responsable por los daños a otros componentes del motor causados por la falla de una pieza garantizada que aún se encuentre cubierta por la garantía.

**LO QUE NO ESTÁ CUBIERTO:** Todas las averías causadas por el abuso, descuido o mantenimiento incorrecto no se encuentran cubiertas.

**COMPONENTES ADICIONALES O MODIFICADOS:** La utilización de piezas modificadas o complementarias puede servir de fundamento para anular una reclamación de garantía. HCOP no tiene la responsabilidad de cubrir fallas de piezas garantizadas causadas por la utilización de piezas adicionales o modificadas.

**CÓMO PRESENTAR UNA RECLAMACIÓN:** Si tiene cualquier duda respecto de los derechos y las responsabilidades que implica esta garantía, debe comunicarse con el centro de servicio autorizado de HCOP más cercano. Llame a HCOP al 1-800-487-5951 (EE. UU.) o al 1-800-805-5523 (Canadá), o envíe un correo electrónico a [emissions@husqvarnagroup.com](mailto:emissions@husqvarnagroup.com).

**DÓNDE OBTENER SERVICIO DE GARANTÍA:** Los servicios o las reparaciones en garantía se deben proporcionar en todos los centros de servicio de HCOP. Llame a HCOP al 1-800-487-5951 (EE. UU.) o al 1-800-805-5523 (Canadá), o envíe un correo electrónico a [emissions@husqvarnagroup.com](mailto:emissions@husqvarnagroup.com).

**MANTENIMIENTO, SUSTITUCIÓN Y REPARACIÓN DE PIEZAS RELACIONADAS CON LAS EMISIONES:** Cualquier pieza de reemplazo aprobada por HCOP que se utilice en la realización de cualquier mantenimiento o reparación por garantía en las piezas relacionadas con las emisiones se proporcionará sin cargo al propietario, si la pieza está cubierta por la garantía.

**LISTA DE PIEZAS DE LA GARANTÍA DE CONTROL DE EMISIONES:** El carburador, el filtro de aire (cubierto con el programa de mantenimiento), el sistema de encendido: la bujía de encendido (cubierta con programa de mantenimiento), el módulo de encendido, el silenciador incluido el catalizador (si existe), el depósito de combustible, la línea, y la tapa.

**DECLARACIÓN DE MANTENIMIENTO:** El propietario es responsable de la ejecución del mantenimiento requerido según se define en el manual de instrucciones.

---

## Table des matières

---

INTRODUCTION.....	30	DONNÉES TECHNIQUES.....	39
SÉCURITÉ.....	31	ACCESSOIRES.....	40
MONTAGE.....	34	DÉCLARATION DE GARANTIE DU SYSTÈME	
FONCTIONNEMENT.....	35	ANTIPOLLUTION.....	40
ENTRETIEN.....	36	.....	0

---

## INTRODUCTION

---

### Manuel d'utilisation

La langue initiale de ce manuel de l'opérateur est l'anglais. Les manuels de l'utilisateur fournis dans d'autres langues sont des traductions de l'anglais.

### Vue d'ensemble

(Fig. 1 )

1. Tête de coupe
2. Bouchon de remplissage de graisse
3. Pignon conique
4. Protection de l'outil de coupe
5. Arbre
6. Poignée de boucle
7. Commande des gaz
8. Interrupteur d'arrêt
9. Dispositif de verrouillage de la gâchette de l'accélérateur
10. Capuchon de bougie, bougie d'allumage
11. Boîtier du lanceur
12. Corde du lanceur
13. Réservoir de carburant
14. Couverture du filtre à air
15. Ampoule de l'amorceur
16. Commande de l'étrangleur
17. Disque d'entraînement
18. Manuel d'utilisation

### Avertissement relatif aux produits chimiques

(Fig. 2 )

### Symboles figurant sur le produit

(Fig. 3 ) Avertissement

(Fig. 4 ) Lire attentivement ce manuel.

(Fig. 5 ) Utiliser un dispositif de protection homologué pour la tête.

(Fig. 6 ) Utiliser un dispositif de protection homologué pour les oreilles.

(Fig. 7 ) Utiliser un dispositif de protection homologué pour les yeux.

(Fig. 8 ) Utiliser des gants de protection homologués.

(Fig. 9 ) Utiliser des chaussures/bottes de protection.

(Fig. 10 ) L'outil peut provoquer des projections d'objets, ce qui peut causer des dommages aux yeux.

(Fig. 11 ) L'outil peut provoquer des projections d'objets, ce qui peut causer des dommages aux yeux.

(Fig. 12 ) Vitesse de rotation maximale de l'arbre de sortie

(Fig. 13 ) Distance de sécurité

(Fig. 14 ) Utiliser seulement un fil de coupe-herbe homologué. Ne pas utiliser de lame

(Fig. 15 ) Ne pas utiliser un équipement de coupe en métal.

(Fig. 16 ) Prendre soin de retenir les cheveux longs au dessus des épaules.

(Fig. 17 ) Les flèches indiquent les limites de position du guidon.

---

**Remarque :** Les autres symboles/autocollants présents sur l'outil renvoient aux exigences en matière de certification pour d'autres zones commerciales.

---

### Responsabilité concernant le produit

Comme indiqué dans les lois en vigueur sur la responsabilité concernant les produits, nous ne serons pas tenus responsables des dommages que notre produit causerait dans les situations suivantes :

- Le produit n'est pas réparé de façon adéquate.
- Le produit est réparé avec des pièces qui ne sont pas fournies ou homologuées par le fabricant.
- Le produit comprend un accessoire qui n'est pas fourni ou homologué par le fabricant.

- Le produit n'est pas réparé par un centre de service après-vente agréé ou par une autorité homologuée.

---

## SÉCURITÉ

---

### Définitions relatives à la sécurité

Les définitions ci-dessous indiquent le niveau de gravité pour chaque mot signal.



**AVERTISSEMENT** : Blessures aux personnes.



**MISE EN GARDE** : Dommages causés à l'outil.

**Remarque** : Cette information facilite l'utilisation de l'outil.

### Consignes générales de sécurité

- Utiliser l'outil correctement. Des blessures graves ou mortelles peuvent résulter d'une utilisation non adéquate. Utiliser l'outil seulement pour les tâches décrites dans le présent manuel. Ne pas utiliser cet outil pour d'autres tâches.
- Suivre les instructions de ce manuel. Respecter les symboles et les instructions de sécurité. Si l'opérateur ne respecte pas les instructions et les symboles, il pourrait en résulter des blessures, des dommages ou la mort.
- Ne pas jeter ce manuel. Utiliser les instructions pour assembler l'outil, le faire fonctionner et le conserver en bon état. Suivre les instructions pour l'installation correcte des équipements et accessoires. Utiliser uniquement des pièces et accessoires homologués.
- Ne pas utiliser l'outil s'il est endommagé. Respecter le calendrier d'entretien. N'effectuer que les travaux d'entretien prescrits dans ce manuel. Un centre agréé doit effectuer tous les autres travaux d'entretien.
- Ce manuel ne décrit pas toutes les situations qui peuvent se produire lorsqu'on utilise l'outil. Rester prudent et faire preuve de bon sens. Ne pas faire fonctionner l'outil ni effectuer un entretien sur l'outil si vous n'êtes pas sûr de la situation. Pour obtenir plus d'information, s'adresser à un spécialiste de l'outil, à votre revendeur, à un atelier de réparation ou à un centre de service après-vente agréé.
- Débrancher le câble d'allumage avant d'installer, de stocker ou de procéder à l'entretien de l'outil.
- Ne pas utiliser l'outil si des modifications contraires à ses caractéristiques initiales y ont été apportées. Ne pas modifier une partie de l'outil sans l'approbation du fabricant. Utiliser seulement des pièces homologuées par le fabricant. Des blessures graves ou mortelles peuvent résulter d'un entretien non adéquat.
- Ne pas respirer les vapeurs du moteur. L'inhalation à long terme des produits d'échappement du moteur représente un danger pour la santé.
- Ne pas démarrer l'outil dans un local clos ou à proximité de matériaux inflammables. Les gaz d'échappement sont très chauds et peuvent contenir des étincelles qui peuvent causer un incendie. Un débit d'air insuffisant peut entraîner des blessures ou la mort en raison d'une asphyxie ou du monoxyde de carbone.
- Lors de l'utilisation de ce produit, le moteur génère un champ électromagnétique. Le champ électromagnétique peut endommager les implants médicaux. Parler à votre médecin et au fabricant de l'implant avant d'utiliser l'outil.
- Ne pas laisser un enfant utiliser l'outil. Ne pas laisser une personne utiliser le produit sans connaître les instructions.
- S'assurer de toujours surveiller les personnes avec des capacités physiques ou mentales réduites qui utilisent le produit. Un adulte responsable doit être présent à tout moment.
- Enfermer le produit dans un endroit verrouillé auquel les enfants et les personnes non autorisées ne peuvent pas accéder.
- Le produit peut projeter des objets et causer des blessures. Respecter les consignes de sécurité afin de réduire le risque de blessures graves ou mortelles.
- Ne pas s'éloigner de l'outil lorsque le moteur est sous tension.
- Tout accident avec cet outil engage la responsabilité de l'opérateur.
- Avant d'utiliser l'outil, vérifier que les pièces ne sont pas endommagées.
- S'assurer d'être à au moins 15 m (50 pi) d'autres personnes ou d'animaux avant d'utiliser le produit. S'assurer que toutes les personnes dans les environs immédiats sont informées que vous allez utiliser le produit.
- Consulter les lois nationales ou locales. Elles peuvent interdire ou limiter l'utilisation de l'outil dans certaines conditions.
- Ne pas utiliser le produit en cas de fatigue ou sous l'emprise de l'alcool, de drogues ou de médicaments. Ils peuvent avoir des effets

indésirables sur votre vision, votre attention, votre coordination des gestes ou votre jugement.

## Consignes de sécurité pour l'utilisation

- Vérifier que le produit est livré assemblé avant de l'utiliser.
- Avant de commencer, déplacer le produit à 3 m (10 pi) de l'endroit où l'appoint de carburant a été effectué. Placer le produit sur une surface plane. Vérifier que l'outil de coupe ne touche pas le sol ou tout autre objet.
- Le produit peut causer des projections d'objets, ce qui peut causer des dommages aux yeux. Toujours utiliser un dispositif de protection homologué pour les yeux lorsqu'on utilise le produit.
- Si un enfant se trouve à proximité, faire preuve de prudence lors de l'utilisation du produit.
- Ne pas faire fonctionner le produit s'il y a des personnes dans la zone de travail. Arrêter le produit si une personne passe dans la zone de travail.
- Vérifier qu'on garde toujours le contrôle du produit.
- Ne pas utiliser ce produit si on ne peut pas recevoir de l'aide en cas d'accident. Toujours vérifier que d'autres personnes savent qu'on va utiliser le produit avant de commencer à le faire.
- Ne pas tourner avec le produit sans s'assurer qu'aucune personne ni aucun animal ne se trouvent dans la zone de sécurité.
- Retirer tous les matériaux indésirables de la zone de travail avant de commencer. Si l'outil de coupe heurte un objet, celui-ci peut être projeté et engendrer des blessures ou des dommages. Des matériaux indésirables peuvent s'enrouler autour de l'outil de coupe et causer des dommages.
- Ne pas utiliser ce produit par mauvais temps (brouillard, pluie, vent violent, risque d'éclair ou autres conditions climatiques défavorables). Les conditions de travail peuvent devenir dangereuses (tels que les surfaces glissantes) à cause des intempéries.
- S'assurer qu'on peut se déplacer librement et travailler dans une position stable.

(Fig. 18)

- Vérifier qu'il n'y a pas de risque de chute lors de l'utilisation l'outil. Ne pas incliner le produit lors de son utilisation.
- Toujours tenir le produit des deux mains. Tenir l'outil sur le côté droit du corps.

(Fig. 19)

- Utiliser le produit en plaçant l'outil de coupe sous la taille.
- Si la commande d'étrangleur se trouve à la position de démarrage quand le moteur démarre, l'outil de coupe commence à tourner.
- Ne pas toucher le pignon conique après l'arrêt du moteur. Le pignon conique est chaud après l'arrêt du moteur. Les points chauds peuvent causer des blessures.
- Arrêter le moteur avant de déplacer le produit.

- Ne pas déposer le produit alors que le moteur est en marche.
- Avant de retirer les matériaux indésirables du produit, arrêter le moteur et attendre jusqu'à l'arrêt de l'outil de coupe. Laisser l'outil de coupe s'arrêter avant de retirer ou de faire retirer le matériau végétal.

## Équipement de protection personnelle

- Toujours utiliser un équipement de protection personnelle lors de l'utilisation du produit. L'équipement de protection personnelle ne supprime pas le risque de blessures. L'équipement de protection personnelle réduit la gravité des blessures en cas d'accident.
- Toujours utiliser un dispositif de protection homologué pour les yeux lorsqu'on utilise le produit.
- Ne pas utiliser le produit avec les pieds nus ou des chaussures ouvertes. Utiliser toujours des bottes antidérapantes robustes.
- Porter un pantalon long et robuste.
- Au besoin, utiliser des gants de protection homologués.
- Utiliser un casque s'il est possible que des objets tombent sur la tête.
- Toujours utiliser un dispositif de protection homologué pour les oreilles lorsqu'on utilise le produit. Le fait d'entendre du bruit pendant une longue période peut engendrer une perte auditive.
- Vérifier qu'on dispose d'une trousse de premiers soins à proximité.

## Dispositifs de protection sur le produit

- Faire régulièrement l'entretien sur le produit.
  - Cette précaution augmente la durée de vie utile du produit.
  - Cette précaution réduit le risque d'accident.

Communiquer régulièrement avec un concessionnaire agréé ou à un centre de service après-vente agréé d'examiner le produit pour effectuer les réglages et les réparations.

- Ne pas utiliser un produit avec un équipement de protection endommagé. Si le produit est endommagé, communiquer avec un centre de service après-vente agréé.

## Dispositif de verrouillage de la gâchette de l'accélérateur

Le dispositif de verrouillage de la gâchette de l'accélérateur verrouille la gâchette de l'accélérateur. (Fig. 20)

Appuyer sur le dispositif de verrouillage de la gâchette de l'accélérateur (A) pour relâcher la gâchette de l'accélérateur (B). Une fois la poignée relâchée, le dispositif de verrouillage de la commande des gaz et la commande des gaz retournent à leurs positions initiales.

1. Vérifier que la gâchette de l'accélérateur (B) est verrouillée à la position de ralenti lorsqu'on relâche le dispositif de verrouillage de la gâchette de l'accélérateur (A).
2. Appuyer sur le dispositif de verrouillage de la gâchette de l'accélérateur (A) et s'assurer qu'il retourne à sa position initiale lorsqu'on le relâche.
3. Appuyer sur la gâchette d'accélération (B) et s'assurer qu'elle retourne à sa position initiale lorsqu'on le relâche.

Démarrer le moteur et le faire tourner à plein régime. Relâcher la gâchette de l'accélérateur et examiner si l'outil de coupe s'arrête. Si l'outil de coupe tourne pendant que l'accélérateur se trouve à la position de ralenti, examiner la vis de réglage de ralenti du carburateur.

### Interrupteur d'arrêt

Démarrer le moteur. Vérifier que le moteur s'arrête lorsque l'interrupteur est déplacé à la position d'arrêt.

(Fig. 21)

### Protection de l'outil de coupe

La protection de l'accessoire de coupe empêche qu'un objet détaché soit projeté vers l'opérateur.

(Fig. 22)

Vérifier le dispositif de protection de l'outil de coupe pour détecter d'éventuels dommages; le remplacer s'il est endommagé. Utiliser seulement une protection homologuée pour l'outil de coupe.

### Silencieux

- Ne pas utiliser un moteur dont le silencieux est endommagé. Un silencieux endommagé augmente le niveau sonore et le risque d'incendie. Garder un extincteur à proximité.
- S'assurer régulièrement que le silencieux est fixé sur le produit.
- Ne pas toucher le moteur ou le silencieux alors que le moteur est sous tension. Ne pas toucher le moteur ou le silencieux pendant un moment après l'arrêt du moteur. Les surfaces chaudes peuvent causer des blessures.
- Un silencieux chaud peut causer un incendie. Rester prudent lorsqu'on utilise le produit à proximité de liquides ou de vapeurs inflammables.
- Ne pas toucher les pièces du silencieux si celui-ci est endommagé. Les pièces peuvent contenir des produits chimiques cancérigènes.

### Outil de coupe

- Effectuer l'entretien de routine. Communiquer avec un centre agréé pour examiner régulièrement l'outil de coupe et effectuer les réglages et les réparations.
  - Cette précaution augmente les performances de l'outil de coupe.

- Cette précaution augmente la durée de vie de l'outil de coupe.
- Cette précaution réduit le risque d'accident.
- Utiliser seulement un dispositif de protection d'outil de coupe homologué. Pour obtenir des renseignements supplémentaires, voir *DONNÉES TECHNIQUES* à la page 39.
- Ne pas utiliser un équipement de coupe endommagé.

### Tête de coupe d'herbe

- Vérifier que le fil coupe-herbe est fermement et uniformément enroulé autour du tambour; cette précaution réduit les vibrations.
- Utiliser seulement des têtes de coupe-herbe et des fils coupe-herbe homologués. Voir *DONNÉES TECHNIQUES* à la page 39.
- Utiliser un fil coupe-herbe de longueur adéquate. Un fil coupe-herbe plus long utilise plus de puissance de moteur qu'un fil coupe-herbe court.
- Vérifier que le couteau monté sur le dispositif de protection de l'outil de coupe n'est pas endommagé.
- Tremper le fil coupe-herbe dans de l'eau pendant deux jours avant de monter le fil coupe-herbe sur le produit. Cette précaution permet d'augmenter la durée de vie du fil coupe-herbe.

### Sécurité – carburant

- Ne pas démarrer l'outil s'il y a du carburant ou de l'huile moteur sur l'outil. Nettoyer le carburant ou l'huile et laisser sécher l'outil. Nettoyer tout carburant qui souille l'outil.
- Si du carburant se déverse sur les vêtements, changer immédiatement de vêtement.
- Ne pas déverser du carburant sur le corps; cela pourrait causer des blessures. Si du carburant se déverse sur le corps, se nettoyer au savon doux et à l'eau.
- Ne pas démarrer le moteur si de l'huile ou du carburant se renverse sur l'outil ou sur le corps.
- Ne pas démarrer l'outil si le moteur présente une fuite. Vérifier régulièrement le moteur à la recherche de fuites.
- Faire preuve de prudence lors de la manipulation du carburant. Celui-ci est inflammable et ses vapeurs sont explosives et peuvent causer des blessures ou la mort.
- Ne pas respirer les vapeurs de carburant, car elles peuvent causer des blessures. Vérifier que la ventilation est suffisante.
- Ne pas fumer à proximité du carburant ou du moteur.
- Ne pas placer des objets chauds à proximité du carburant ou du moteur.
- Ne pas faire le plein de carburant lorsque le moteur tourne.
- Vérifier que le moteur est froid avant de faire le plein.

- Avant de faire le plein, ouvrir lentement le couvercle du réservoir de carburant et relâcher la pression avec précaution.
- Ne pas faire le plein dans une pièce fermée. Un débit d'air insuffisant peut entraîner des blessures ou la mort en raison d'une asphyxie ou du monoxyde de carbone.
- Serrer le couvercle du réservoir de carburant avec précaution, car un feu pourrait se déclencher.
- Avant de démarrer l'outil, le déplacer à au moins 3 m (10 pi) de la position où le plein de carburant a été fait.
- Ne pas mettre trop de carburant dans le réservoir de carburant.
- Vérifier qu'une fuite ne peut se produire lorsqu'on déplace l'outil ou le bidon d'essence.
- Ne pas placer l'outil ou un bidon d'essence dans un espace où il y a une flamme nue, des étincelles ou une veilleuse. Vérifier que la zone de stockage ne contient pas de flamme nue.
- Utiliser seulement des conteneurs agréés pour transporter ou stocker le carburant.
- Vider le réservoir de carburant avant de le remettre pour une période prolongée. Toujours respecter la législation locale sur la façon de mettre le carburant au rebut.
- Nettoyer l'outil avant de le remettre pour une période prolongée.
- Débrancher le câble d'allumage avant de remettre l'outil, afin de s'assurer que le moteur ne démarre pas par inadvertance.

## Consignes de sécurité pour la maintenance

- S'il n'est pas possible de régler le régime de ralenti qui arrête l'outil de coupe, communiquer avec le centre d'entretien. Ne pas utiliser ce produit jusqu'à ce qu'il soit correctement réglé ou réparé.

---

## MONTAGE

---



**AVERTISSEMENT** : Lire le chapitre sur la sécurité avant d'installer le produit.

### Montage du guidon en boucle

1. Fixer le guidon en boucle sur l'arbre selon l'illustration et serrer.(Fig. 23 )
2. Vérifier que le guidon en boucle se fixe entre les flèches dessinées sur l'arbre.

### Assemblage de l'arbre démontable

1. Tourner le bouton pour desserrer le raccord du tube. (Fig. 24 )
2. Aligner la languette de l'arbre (A) avec la flèche figurant sur le raccord de l'arbre (B).(Fig. 25 )
3. Appuyer l'arbre dans le raccord de l'arbre jusqu'à ce qu'il soit fixe.(Fig. 26 )
4. Vérifier que la poignée est serrée avant d'utiliser le produit.(Fig. 27 )

### Pour démonter l'arbre en deux pièces

1. Tourner le bouton pour desserrer le raccord du tube. (Fig. 28 )
2. Appuyer longuement sur le bouton (C).(Fig. 29 ) Maintenir l'extrémité du moteur et tirer sur le tube de transmission de l'accouplement de l'arbre.

### Montage de l'outil de coupe

#### Montage du dispositif de protection de l'outil de coupe et de la tête de coupe (arbre droit)

1. Fixer le dispositif de protection de l'outil de coupe (A) sur l'arbre au moyen de la vis (L).(Fig. 30 ) Prendre soin d'utiliser la bonne protection de l'outil de coupe et la bonne tête de coupe.
2. Fixer le disque d'entraînement (B) sur l'arbre de sortie.
3. Tourner l'arbre de sortie jusqu'à ce que le trou dans le disque d'entraînement s'aligne avec le trou situé dans le carter d'engrenage.
4. Placer un petit tournevis (C) dans le trou pour bloquer l'arbre.(Fig. 31 )
5. Tourner la tête du coupe-herbe (H) dans le sens antihoraire pour serrer la tête de coupe à la boîte de vitesses. (Filetage à gauche.)(Fig. 32 )

#### Montage du dispositif de protection de l'outil de coupe et de la tête de coupe (arbre courbé)

1. Fixer la protection.(Fig. 33 ) Serrer l'écrou.
2. Fixer le pare-poussière sur l'arbre.(Fig. 34 )
3. Maintenir le pare-poussière en place au moyen d'une clé réglable pour s'assurer que l'arbre ne tourne pas.
4. Fixer la tête de coupe sur l'arbre. Tourner la tête de coupe dans le sens des aiguilles d'une montre.

# FONCTIONNEMENT



**AVERTISSEMENT** : Lire et comprendre le chapitre sur la sécurité avant d'utiliser l'outil.

## Carburant

### Utilisation du carburant



**MISE EN GARDE** : Cet outil est équipé d'un moteur deux-temps. Utiliser un mélange d'essence et d'huile à moteur deux-temps. Prendre soin de verser la bonne quantité d'huile dans le mélange. Un mauvais rapport essence/huile peut endommager le moteur.

### Essence



**MISE EN GARDE** : Ne pas utiliser d'essence avec un indice d'octane inférieur à 90 RON (87 AKI). Ceci peut causer des dommages sur le produit.



**MISE EN GARDE** : Ne pas utiliser d'essence avec une concentration d'éthanol supérieure à 10 % (E10). Ceci peut causer des dommages sur le produit.

- Toujours utiliser de l'essence neuve sans plomb d'indice d'octane minimal de 90 RON (87 AKI) et avec une concentration en éthanol inférieure à 10 % (E10).
- Utiliser de l'essence avec un taux d'octane supérieur pour utiliser fréquemment le produit à régime moteur élevé en permanence.

### Huile pour moteur deux-temps

- Utiliser seulement une huile pour moteur deux-temps de qualité très élevée. N'utiliser qu'une huile moteur refroidie à l'air.
- Ne pas utiliser d'autres types d'huile.
- Taux du mélange 50:1 (2 %)

Essence	Huile
1 gal US	77 ml (2,6 oz)
1 gal UK	95 ml (3,2 oz)
5 l	100 ml (3,4 oz)

### Mélange de carburant

**Remarque** : Utiliser toujours un récipient de carburant propre pour mélanger le carburant.

**Remarque** : Ne pas effectuer une quantité de mélange de carburant pour plus de 30 jours.

1. Ajouter la moitié de la quantité d'essence.
2. Ajouter la quantité totale d'huile.
3. Agiter le mélange de carburant pour mélanger le contenu.
4. Ajouter l'essence restante.
5. Agiter le mélange de carburant pour mélanger le contenu.
6. Remplir le réservoir de carburant.

### Ajout de carburant

- Toujours utiliser un bidon d'essence comportant un robinet antidéversement.
- S'il y a un peu de carburant sur ou dans le récipient, nettoyer le carburant et laisser le récipient au sec.
- Vérifier que le couvercle du réservoir de carburant est propre.
- Agiter le récipient à carburant avant d'ajouter le mélange de carburant dans le réservoir de carburant.

## Démarrage et arrêt

### Avant de démarrer le moteur

- Vérifier le produit pour détecter les pièces manquantes, endommagées, desserrées ou usées.
- Vérifier les écrous, les vis et les boulons.
- Vérifier le filtre à air.
- Vérifier le dispositif de verrouillage de la gâchette de l'accélérateur et la commande d'accélération pour un fonctionnement correct.
- Vérifier l'interrupteur d'arrêt pour un fonctionnement correct.
- Vérifier le produit pour détecter les fuites de carburant.
- Vérifier l'affûtage et la tension de la chaîne de la scie.

### Démarrage d'un moteur froid

1. Appuyer sur 10 fois sur la poire d'amorçage.(Fig. 35 )
2. Tirer la commande d'étrangleur vers le haut.(Fig. 36 )
3. Maintenir l'outil sur le sol à l'aide de la main gauche. (Fig. 37 ) Ne pas marcher sur l'outil. Tirer lentement la poignée du câble du lanceur jusqu'à rencontrer une résistance. Tirer ensuite la poignée du câble du lanceur avec force.

**Remarque :** Ne pas tirer la gâchette de l'accélérateur lors du démarrage du moteur.

- Continuer à tirer la poignée de la corde de lancement jusqu'à ce que le moteur démarre ou essaie de démarrer (maximum 3 fois). Si le moteur démarre ou essaie de démarrer, enfoncer la commande d'étranglement. Continuer de tirer jusqu'à ce que le moteur démarre. Patienter 60 secondes après le démarrage avant de tirer la gâchette de l'accélérateur.



**MISE EN GARDE :** Ne pas tirer sur le cordon du lanceur jusqu'à ce qu'il s'arrête. Ne pas lâcher la corde du lanceur lorsqu'elle est complètement déployée. Relâcher lentement la corde du lanceur. Le non-respect de respecter ces instructions peut causer des dommages au moteur.

### Démarrage d'un moteur chaud

- Appuyer sur 10 fois sur la poire d'amorçage.
- Tirer sur le cordon du lanceur jusqu'à ce que le moteur démarre.

### Arrêt

- Appuyer sur l'interrupteur d'arrêt pour arrêter le moteur.(Fig. 38 )

**Remarque :** L'interrupteur d'arrêt revient automatiquement à sa position initiale.

### Utilisation du coupe-herbe



**MISE EN GARDE :** Prendre soin de ralentir le moteur au régime de ralenti après chaque opération. Une longue période à plein

régime sans charge sur le moteur peut endommager le moteur.

**Remarque :** Pour éviter les vibrations, nettoyer le couvercle de la tête de coupe lorsqu'on fixe un nouveau fil coupe-herbe. Vérifier les autres parties de la tête de coupe et les nettoyer selon le besoin.

### Tonte du gazon

- Tenir la tête de coupe tout juste au-dessus du sol, en l'inclinant.(Fig. 39 ) Ne pas appuyer le fil coupe-herbe dans l'herbe.
- Réduire la longueur du fil coupe-herbe de 10 à 12 cm (4 à 4,75 po) et réduire la vitesse du moteur pour réduire le risque de dommages aux plantes.
- Utiliser 80 % de l'accélération lorsqu'on doit couper l'herbe à proximité d'objets.(Fig. 40 )

### Pour couper l'herbe

- Pour effectuer une coupe, vérifier que le fil coupe-herbe est parallèle au sol.(Fig. 41 )
- Ne pas appuyer la tête de coupe sur le sol. Cela peut endommager le sol et le produit.
- Ne pas laisser la tête de coupe toucher le sol en permanence; cela peut endommager la tête de coupe.
- Faire tourner le moteur à plein régime lorsqu'on déplace le produit d'un côté à l'autre pour couper l'herbe.(Fig. 42 ) Vérifier que le fil coupe-herbe est parallèle au sol.

### Remplacement du fil coupe-herbe

(Fig. 43 )  
(Fig. 44 )  
(Fig. 45 )  
(Fig. 46 )  
(Fig. 47 )  
(Fig. 48 )  
(Fig. 49 )  
(Fig. 50 )

## ENTRETIEN



**AVERTISSEMENT :** Lire et comprendre le chapitre sur la sécurité avant de le nettoyer l'outil, le réparer ou en effectuer l'entretien.

### Calendrier d'entretien

S'assurer de respecter le calendrier d'entretien. La fréquence est calculée sur la base d'une utilisation quotidienne du produit. Les périodicités sont différentes si on n'utilise pas ce produit chaque jour. N'effectuer que les travaux d'entretien décrits dans ce manuel. Communiquer avec un centre de service après-vente agréé pour effectuer les travaux d'entretien qui ne figurent pas dans ce manuel.

#### Entretien hebdomadaire

- Nettoyer les surfaces externes.
- Vérifier le régime de ralenti.
- Vérifier la graisse du pignon conique (arbre droit).

#### Entretien mensuel

- Vérifier la poignée du câble du lanceur et le câble du lanceur.

#### Maintenance annuelle

- Vérifier la bougie d'allumage.
- Appliquer de la graisse sur l'extrémité de l'arbre d'entraînement (arbre démontable).



- Nettoyer les surfaces externes du carburateur et les zones adjacentes.
- Nettoyer le système de refroidissement.
- Vérifier l'écran pare-étincelles.
- Vérifier le filtre à carburant.
- Vérifier le tuyau de carburant pour détecter d'éventuels dommages.
- Vérifier tous les câbles et toutes les connexions.

### Entretien à 50 heures d'utilisation

- Communiquer avec un centre de service après-vente agréé pour réparer ou remplacer le silencieux.

## Réglage du régime de ralenti

- Vérifier que le filtre à air est propre et que le couvercle du filtre à air est fixé avant de régler le régime de ralenti.
  - Régler le régime de ralenti à l'aide de la vis de réglage de ralenti en T, identifiée par le repère « T ».
  - Le régime de ralenti est adéquat lorsque le moteur fonctionne sans à-coups dans toutes les positions. Le régime de ralenti doit être inférieur à la vitesse lorsque l'outil de coupe commence à tourner.
1. Tourner la vis de réglage de ralenti dans le sens horaire jusqu'à ce que l'outil de coupe commence à tourner.(Fig. 51 )
  2. Tourner la vis de réglage de ralenti dans le sens antihoraire jusqu'à ce que l'outil de coupe s'arrête.

## Entretien de l'écran pare-étincelles

Utiliser une brosse métallique pour nettoyer l'écran pare-étincelles.  
(Fig. 52 )

## Nettoyage du système de refroidissement

Nettoyer les pièces du circuit de refroidissement au moyen d'une brosse.

(Fig. 53 )

## Vérification de la bougie d'allumage



**MISE EN GARDE :** Utiliser la bougie recommandée. Vérifier que les pièces de rechange sont les mêmes que celles fournies par le fabricant. Une bougie inadéquate peut causer des dommages au produit.

1. Vérifier la bougie d'allumage dans les cas suivants :
  - a) Le moteur manque de puissance.
  - b) Le moteur ne démarre pas facilement.
  - c) Le moteur ne fonctionne pas correctement au régime de ralenti.
2. Si le moteur n'est pas facile à démarrer ou faire fonctionner, examiner la bougie pour les matériaux

indésirables. Afin de réduire le risque de matériau indésirable sur les électrodes de la bougie :

- a) Vérifier que le régime de ralenti est réglé de façon adéquate.
  - b) Vérifier que le mélange de carburant est correct.
  - c) Vérifier que le filtre à air est propre.
3. Nettoyer la bougie si elle est sale. S'assurer que l'écartement des électrodes est correct.(Fig. 54 )
  4. Remplacer la bougie d'allumage selon le besoin.

## Application de graisse sur l'arbre démontable

- Appliquer de la graisse sur l'extrémité de l'arbre d'entraînement après chaque 30 heures de fonctionnement.(Fig. 55 )

## Entretien du filtre à air

### Nettoyage du filtre à air

1. Retirer le couvercle du filtre à air et retirer le filtre à air.(Fig. 56 )
2. Nettoyer le filtre à air à l'eau savonneuse chaude. Vérifier que le filtre à air est sec avant de l'installer.
3. Remplacer le filtre à air s'il est trop sale pour le nettoyer entièrement. Toujours remplacer les filtres à air endommagés.
4. Si votre produit est équipé d'un filtre à air en mousse, appliquer de l'huile pour filtre à air. Appliquer seulement de l'huile pour filtre sur un filtre en mousse. Ne pas appliquer de l'huile sur un filtre en feutre.

### Application de l'huile pour filtre à air sur le filtre à air



**MISE EN GARDE :** Toujours utiliser de l'huile spéciale pour filtre à air sur les filtres à air en mousse. Ne pas utiliser d'autres types d'huile.



**AVERTISSEMENT :** Ne pas mettre d'huile sur le corps.

1. Retirer le couvercle du filtre à air et retirer le filtre à air.(Fig. 57 )
2. Placer le filtre à air dans un sac en plastique.
3. Placer l'huile du filtre à air dans le sac en plastique.(Fig. 58 )
4. Appuyer le sac en plastique pour vérifier que l'huile alimente également l'ensemble du filtre à air.
5. Appuyer sur le filtre à air dans le sac, pour retirer l'huile de filtre à air qui n'est pas nécessaire. Retirer le filtre à air de son emballage.
6. Installer le filtre à air.

## **Ajouter de la graisse au pignon conique** (Fig. 59)

Vérifier que le pignon conique est rempli de graisse au 3/4 du pignon conique.

## DONNÉES TECHNIQUES

	unité		
<b>Spécifications du moteur</b>			
Cylindrée	cm <sup>3</sup>	27,6	27,6
Écartement des électrodes	mm	0,5	0,5
Capacité du réservoir de carburant	cm <sup>3</sup>	343	343
Régime au ralenti	min <sup>-1</sup>	Entre 2 800 et 3 200	Entre 2 800 et 3 200
Vitesse maximum	min <sup>-1</sup>	8000	8000
Puissance de sortie	kW	0,85	0,85
Bougie d'allumage		Husqvarna HQT-4	Husqvarna HQT-4
Rotation maximale de l'arbre de sortie	min <sup>-1</sup>	8500	7 200
Durabilité des émissions selon la commission californienne chargée de la qualité de l'air (California Air Resources Board)	h	125	125
Durabilité des émissions	h	125	125
<b>Bruit et données de vibrations</b>			
Niveau de vibration équivalent (vibrations main-bras, éq.), poignée gauche – voir remarque 1	m/s <sup>2</sup>	3,64	9,9
Niveau de vibration équivalent (vibrations main-bras, éq.), poignée droite – voir remarque 1	m/s <sup>2</sup>	3,59	8,9
Puissance sonore garantie, (L <sub>WA</sub> ) – voir remarque 2	dB(A)	114	114
Puissance sonore mesurée – voir remarque 2	dB(A)	106	105
Pression acoustique à l'oreille de l'utilisateur, avec tête de coupe – voir remarque 3	dB(A)	93	95
<b>Dimensions du produit</b>			
Poids (sans équipement de coupe)	kg	4,6	5,2
<b>Remarque 1 :</b> Les données signalées pour le niveau de vibration équivalent présentent une dispersion statistique type (écart standard) de 1 m/s <sup>2</sup> .			
<b>Remarque 2 :</b> Émission du bruit dans l'environnement mesurée en tant que puissance acoustique (L <sub>WA</sub> ) conforme à la directive européenne 2000/14/CE. La puissance sonore reportée pour la machine a été mesurée avec l'outil de coupe d'origine qui fournit le niveau le plus élevé. La puissance sonore garantie diffère du niveau mesuré en cela qu'elle prend également en compte la dispersion et les variations entre plusieurs machines du même modèle, conformément à la directive 2000/14/CE.			
<b>Remarque 3 :</b> Les données se rapportant à la pression sonore équivalente de la machine présentent une dispersion statistique type (écart standard) de 1 dB (A).			

## ACCESSOIRES

129C		
Accessoires homologués	Type	Protection de l'outil de coupe
Arbre fileté (3/8 R)		
Tête de coupe	T25 (Ø 2,0 – 2,4 mm)	580 44 66-10

129L, 129LK		
Accessoires homologués	Type	Protection de l'outil de coupe
Arbre fileté (M10L)		
Tête de coupe	T25 (Ø 2,0 – 2,4 mm)	580 44 66-06

Accessoires en option	Type	Utilisation avec
Ensemble balai avec arbre	SR600	129LK
Accessoire taille-haie avec arbre	HA850	129LK
Coupe-bordure avec arbre	EA850	129LK
Accessoire de sciage avec arbre	PA1100	129LK
Accessoire pour cultivateur avec arbre	CA150	129LK
Accessoire coupe-herbe avec arbre	TA850	129LK
Accessoire de sciage avec arbre	PAX1100	129LK
Accessoire de sciage avec arbre	PAX730	129LK

## DÉCLARATION DE GARANTIE DU SYSTÈME ANTIPOLLUTION

**IMPORTANT** : Le présent produit est conforme à la réglementation de la Phase 3 de l'Environmental Protection Agency (EPA) des États-Unis en ce qui concerne les émissions d'échappement et d'évaporation. Pour assurer la conformité à la Phase 3 de l'EPA, nous recommandons le recours à des pièces de remplacement d'origine uniquement. L'utilisation de pièces de remplacement non conformes est une infraction à la législation fédérale.

VOS DROITS ET OBLIGATIONS EN VERTU DE LA GARANTIE : L'Environmental Protection Agency (EPA) des États-Unis, le California Air Resources Board, Environnement Canada et Husqvarna Consumer Outdoor Products N.A., Inc. (HCOP) sont heureux de détailler pour vous la garantie du système antipollution de votre petit moteur hors route de l'année 2017 et ultérieure. En Californie, les petits moteurs hors route

doivent être conçus, fabriqués et équipés de manière à répondre aux normes antipollution strictes de l'État. HCOP doit garantir les systèmes de contrôle antipollution de votre petit moteur hors route pendant la période figurant sur la liste ci-dessous à condition que votre petit moteur hors route ne présente aucun signe d'utilisation abusive, de négligence ou d'entretien inapproprié. Le système antipollution comprend des pièces telles que le carburateur, le système d'allumage ainsi que le réservoir de carburant avec le tube de carburant et le bouchon. En cas de problème couvert par la garantie, HCOP réparera votre petit moteur hors route sans frais. Les frais couverts par la garantie comprennent le diagnostic, les pièces et la main d'œuvre.

COUVERTURE DE LA GARANTIE DU FABRICANT : Si une pièce de votre moteur liée aux émissions (selon la liste des pièces de la garantie antipollution) est

défectueuse en elle-même ou à cause d'une défaillance du moteur ou d'une erreur de main d'œuvre, cette pièce sera réparée ou remplacée par HCOP.

**RESPONSABILITÉS DU PROPRIÉTAIRE EN VERTU DE LA GARANTIE :** En tant que propriétaire d'un petit moteur hors route, vous êtes responsable du respect de l'entretien obligatoire indiqué dans le manuel d'instructions. HCOP vous recommande de conserver tous les reçus relatifs à l'entretien de votre petit moteur hors route, mais elle ne peut pas refuser l'application de la garantie pour la seule raison de l'absence de reçus ou du non-respect de l'entretien obligatoire prévu. En tant que propriétaire d'un petit moteur hors route, vous devez savoir que HCOP peut vous refuser la couverture de la garantie si la défaillance de votre petit moteur hors route ou d'une pièce de celui-ci est causée par une utilisation abusive, une négligence, un entretien non adéquat, une modification non approuvée ou l'utilisation d'une pièce ni fabriquée ni approuvée par le fabricant d'origine. Vous avez la responsabilité de présenter votre petit moteur hors route au centre de réparation agréé HCOP dès qu'un problème se manifeste. Les réparations couvertes par la garantie doivent être effectuées dans un délai raisonnable qui n'excède pas 30 jours. Pour toute question relative à vos droits et responsabilités, en vertu de la garantie, communiquer avec le centre de services autorisé le plus proche.

Veuillez communiquer avec HCOP au 1-800-487-5951 (É.-U.) ou au 1-800-805-5523 (Canada) ou envoyer un courriel à [emissions@husqvarnagroup.com](mailto:emissions@husqvarnagroup.com).

**DATE D'ENTRÉE EN VIGUEUR DE LA GARANTIE :** La période de garantie commence à la date d'achat du petit moteur hors route.

**DURÉE DE LA COUVERTURE :** Cette garantie est valable pour une période de deux ans à partir de la date d'achat initiale ou jusqu'à la fin de la garantie du produit (la plus longue étant celle retenue).

**ÉLÉMENTS COUVERTS : RÉPARATION OU REMPLACEMENT DES PIÈCES.** La réparation ou le remplacement de toute pièce garantie doit être effectué sans frais pour le propriétaire dans un centre de services HCOP autorisé. Pour toute question relative à vos droits et responsabilités relativement à la garantie, communiquer avec le centre de services agréé le plus proche. Veuillez communiquer avec HCOP au 1-800-487-5951 (É.-U.) ou au 1-800-805-5523 (Canada) ou envoyer un courriel à [emissions@husqvarnagroup.com](mailto:emissions@husqvarnagroup.com).

**PÉRIODE DE GARANTIE :** Toute pièce garantie dont le remplacement n'est pas prévu par le calendrier d'entretien obligatoire ou dont l'inspection régulière est prévue dans le calendrier d'entretien et fait l'objet d'une mention de type « réparer ou remplacer si nécessaire » est garantie pendant deux ans. Toute pièce garantie dont le remplacement est prévu par le calendrier d'entretien obligatoire est garantie pendant l'intégralité de la période de garantie jusqu'à la date du premier remplacement prévu de la pièce.

**DIAGNOSTIC :** Le propriétaire n'a pas à payer pour le diagnostic permettant de conclure que la pièce garantie est défectueuse, à condition qu'un tel diagnostic soit effectué dans un centre de services HCOP autorisé.

**DOMMAGES CONSÉCUTIFS :** HCOP peut être tenue responsable des dommages aux autres composants du moteur directement causés par la défaillance d'une pièce encore sous garantie.

**ÉLÉMENTS NON COUVERTS :** Toutes les pannes dues à un abus, à de la négligence ou à un entretien inadéquat ne sont pas couvertes.

**PIÈCES COMPLÉMENTAIRES OU MODIFIÉES :** L'utilisation de pièces complémentaires ou modifiées est un motif suffisant pour rejeter une demande d'indemnisation. HCOP n'a pas la responsabilité de garantir les pannes de pièces garanties provoquées par l'utilisation d'une pièce complémentaire ou modifiée.

**COMMENT PRÉSENTER UNE DEMANDE D'INDEMNISATION :** Pour toute question relative à vos droits et responsabilités relativement à la garantie, communiquer avec le centre de services HCOP agréé le plus proche. Veuillez communiquer avec HCOP au 1-800-487-5951 (É.-U.) ou au 1-800-805-5523 (Canada) ou envoyer un courriel à [emissions@husqvarnagroup.com](mailto:emissions@husqvarnagroup.com).

**OÙ JOINDRE LE SERVICE DE GARANTIE :** Les services de garantie ou de réparation sont assurés par tous les centres de services HCOP autorisés. Veuillez communiquer avec HCOP au 1-800-487-5951 (É.-U.) ou au 1-800-805-5523 (Canada) ou envoyer un courriel à [emissions@husqvarnagroup.com](mailto:emissions@husqvarnagroup.com).

**ENTRETIEN, REMPLACEMENT ET RÉPARATION DES PIÈCES RELATIVES AUX ÉMISSIONS :** Toute pièce de remplacement approuvée par HCOP utilisée pour procéder à un entretien ou à une réparation doit être fournie sans frais pour le propriétaire si la pièce d'origine est sous garantie.

**LISTE DES PIÈCES DE LA GARANTIE ANTIPOLLUTION :** Carburateur, filtre à air (couverts dans la limite du calendrier d'entretien), système d'allumage, bougie (couverte dans la limite du calendrier d'entretien), module d'allumage, silencieux y compris le catalyseur (selon l'équipement), réservoir de carburant, tube et bouchon de carburant.

**ATTESTATION D'ENTRETIEN :** Le propriétaire a la responsabilité du respect de l'entretien obligatoire défini dans le manuel d'instructions.



[www.husqvarna.com](http://www.husqvarna.com)

Original instructions  
Instrucciones originales  
Instructions d'origine

1158838-49



2018-03-09