

COLLECTIONS SYSTEM
SAMMELSYSTEM
SYSTÈME DE RAMASSAGE
SISTEMA DE RECOGIDA
SISTEMA DI RACCOLTA
OPVANGSYSTEEM

967322401



GB Instruction manual
Please read tractor manual instructions carefully and make sure you understand them before using this machine.

DE Anleitungshandbuch
Lesen Sie die Bedienungsanleitung des Traktors gründlich durch und seien Sie sicher, dass Sie diese verstanden haben, bevor Sie mit der Maschine arbeiten.

FR Manuel d'instructions
Lisez attentivement la notice de la tondeuse assurez-vous d'avoir bien compris les instructions avant d'utiliser cette machine.

ES Manual de las instrucciones
Lea atentamente las instrucciones del manual del tractor y asegúrese de entenderlas bien antes de utilizar la máquina.

IT Manuale di istruzioni
Si prega di leggere attentamente e comprendere le istruzioni contenute nel manuale del trattore prima di utilizzare la macchina.

NL Instructieboekje
Lees de handleiding van deze tractor zorgvuldig door en zorg dat u deze begrijpt voordat u deze machine gebruikt.


CONGRATULATIONS on the purchase of a new collection system. It has been designed, engineered and manufactured to give the best possible dependability and performance.

If you experience any problem you cannot easily remedy, contact your nearest authorized service center/ department. They have competent, well-trained technicians and the proper tools for service and repairs.


Please read and retain this manual. The instructions will enable you to assemble and maintain your collection system properly. Always observe the SAFETY RULES.


KNOW YOUR COLLECTION SYSTEM


READ THIS OPERATION MANUAL AND SAFETY RULES BEFORE ASSEMBLING OR OPERATING YOUR COLLECTION SYSTEM. Compare the illustrations with the carton contents to familiarize yourself with the parts before starting the assembly. Study the operating instructions and safety precautions thoroughly to insure proper functioning of your Grass Catcher and to prevent injury to yourself and others. Save this manual for future reference.

 **CAUTION!** DO NOT operate mower with grass catcher partially installed.


- Disengage blades and stop engine before leaving mower seat to empty containers, unclogging chutes, etc.
- Close cover before starting.
- Disengage mower blades when crossing driveways or gravel surfaces and other areas where thrown objects could be a hazard.
- DO NOT attempt to vacuum cans or other potentially hazardous projectiles.

 **CAUTION!** Do not leave grass in bagger containers. Empty containers after each use and before storing. Failure to do so may result in spontaneous combustion which could develop into a fire.

 **CAUTION!** Grass catcher components are subject to wear, damage and deterioration, which could expose moving parts or allow objects to be thrown. Frequently check components and replace with manufacturer's recommended parts, when necessary.

 **CAUTION!** Before assembling grass catcher to mower:

- Set parking brake.
- Place motion control levers in NEUTRAL position.
- Turn ignition key OFF and remove key.
- Make sure the blades and all moving parts have completely stopped.

 **CAUTION!** The operation of any mower can result in foreign objects thrown into the eyes, which can result in severe eye damage. ALWAYS wear safety glasses or eye shields before starting your mower and while mowing. Standard safety glasses are recommended or a wide vision safety mask for over spectacles.

ENGLISH 2
 SAFETY 3
 ASSEMBLY 5
 MAINTENANCE 9
DEUTSCHE 10
 SICHERHEIT 11
 MONTAGE 13
 WARTUNG 17
FRANÇAIS 18
 SÉCURITÉ 19
 MONTAGE 21
 ENTRETIEN 25

ESPAÑOL 26
 SEGURIDAD 27
 MONTAJE 29
 MANTENIMIENTO 33
ITALIANO 34
 SICUREZZA 35
 MONTAGGIO 37
 MANUTENZIONE 41
NEDERLANDS 42
 VEILIGHEID 43
 MONTEREN 45
 ONDERHOUD 49



WARNING! THIS CUTTING MACHINE IS CAPABLE OF AMPUTATING HANDS AND FEET AND THROWING OBJECTS. FAILURE TO OBSERVE THE FOLLOWING SAFETY INSTRUCTIONS COULD RESULT IN SERIOUS INJURY OR DEATH.

General Operation

- **DO NOT** operate mower with grass catcher, unless the front weights are installed. Read, understand and follow all instructions in the manual and on the machine before starting.
- Keep machine free of grass, leaves or other debris buildup which can touch hot exhaust/engine parts and burn. Do not allow the mower deck to plow leaves or other debris which can cause buildup to occur.
- Stop engine before removing grass catcher or unclogging chute.
- Do not operate the mower without either the entire grass catcher or the guard in place. Be aware of the mower discharge direction and do not direct it towards anyone.
- Clear the area of objects such as rocks, stones, toys, wire etc., which could be picked up and thrown by the blades.
- Only allow responsible adults, who are familiar with the instructions, to operate the machine.
- The owner and operator of this equipment can prevent accidents and is responsible for accidents or injuries occurring to themselves, other people and/or property.
- Be sure the area is clear of all people and pets before mowing. Stop the machine if anyone enters the area.
- Never carry passengers or children even with blades off.
- Do not mow in reverse unless absolutely necessary. Always look down and behind before and while backing.
- Slow down before turning.
- Never leave the machine unattended when the engine is running. Always turn off the blades, set the parking brake, stop the engine and remove the key before leaving the machine.
- Turn off blades when not mowing.
- Mow only in daylight or good artificial light.
- Do not operate the machine while under the influence of alcohol or drugs.
- Watch out for traffic when operating near or crossing roadways.
- Use extra care when loading and unloading the machine onto a trailer or truck.
- Data indicates that operators, age 60 years and above, are involved in a large percentage of riding mower-related injuries. These operators should evaluate their ability to operate the riding mower safely enough to protect themselves and others from serious injury.
- Clean any oil or fuel spillage before operating or storing the machine.
- Allow machine to cool before storage.

Slope Operation

Slopes are a major factor related to loss-of-control and tip-over accidents, which can result in severe injury or death. All slopes require extra caution. If you cannot back up the slope or if you feel uneasy on it, do not mow it.

DO

- Mow up and down slopes (10° Max.), not across.
- Remove obstacles such as rocks, tree limbs, etc.
- Watch for holes, ruts, or bumps. Uneven terrain could overturn the machine. **Tall grass can hide obstacles.**
- Use slow speed. Choose a low speed so that you will not have to stop while on the slope.
- Use extra care with grass catchers or other attachments. These can change the stability of the machine.
- Keep all movement on the slopes **slow** and **gradual**. Do not make sudden changes in speed or direction.
- Avoid starting or stopping on a slope. If tires lose traction, disengage the blades and proceed slowly **straight** down the slope.

DO NOT

- **Do not** turn on slopes unless necessary, and then, turn slowly and gradually downhill, if possible.
- **Do not** mow near drop-off, ditches, or embankments. The mower could suddenly turn over if a wheel is over the edge of a cliff or ditch, or if an edge caves in.
- **Do not** mow on wet grass. Reduced traction could cause sliding.
- **Do not** try to stabilize the machine by putting your foot on the ground.

Service

- Grass catcher components are subject to wear, damage, and deterioration, which could expose moving parts or allow objects to be thrown. Frequently check components and replace with manufacturer's recommended parts, when necessary.
- The operation of any mower can result in foreign objects thrown into the eyes, which can result in severe eye damage. Always wear safety glasses or eye shields while operating the mower or performing any adjustments or repairs. A wide vision safety mask over spectacles or standard safety glasses are recommended.
- Keep nuts and bolts, especially blade attachment bolts, tight and keep equipment in good condition.
- Never tamper with safety devices. Check regularly for proper operation.
- Keep machine free of grass, leaves, or other debris buildup.
- Clean oil or fuel spillage.
- Allow machine to cool before storing.
- Stop and inspect the equipment if you strike an object. Repair, if necessary, before restarting.
- Never make adjustments or repairs with the engine running.
- Mower blades are sharp and can cut. Wrap the blade(s) or wear gloves, and use extra caution when servicing them.
- Check brake operation frequently. Adjust and service as shown in the Operator Manual.

Tips For Improved Bagging

- Follow the mower operation instructions in the Operator Manual.
- When using the grass catcher on a lawn where grass and leaf bagging equipment has not been used previously, thatch and debris that has accumulated for long periods of time is picked up. The amount collected and the total time of operation may be greater than will be experienced with regular use of the grass catcher.
- Always run throttle at full speed when bagging.
- Select a ground speed low enough to give good mower cutting performance, good quality cut and good bagging performance.
NOTE: It may be necessary to overlap width of cut to suit your conditions.
- If grass is extremely tall, it should be mowed twice. The first cut should be at one of the highest settings, the second time to desired height.
- Use the left hand side of mower for trimming.
- Avoid cutting wet grass or in the morning while the dew is still heavy. Grass clippings collected under these conditions tend to be sticky and adhere to the walls of the flow path causing clogging.
- If the grass catcher fails to pick up cut grass or leaves, it is an indication that clogging has occurred in the system or that the grass catcher containers are full.
 - a. Disengage blades, place motion control levers in neutral position.
 - Unlatch and raise cover.
 - Slide out containers and dispose of clippings.
 - Replace containers, close cover, and latch.
 - b. Unlatch chutes and check for clogging.
 - Remove all debris in chute.
 - Reassemble and latch chutes.

General Recommendations

Always observe safety rules when performing any maintenance.

- Before each use check for loose fasteners.
- Clean unit thoroughly after each use.

Blade Care

- For best results mower blades must be kept sharp. Replace bent or damaged blades.
- See instructions in the mower operator manual.

Storage

When grass catcher is to be stored for a period of time, clean it thoroughly, remove all dirt, grass, leaves, etc. Store in a clean, dry place.

Tools Required

- Wrench 15/16" (2)
- Wrench 3/4" (1)
- Wrench 1/2" (1)
- Torque wrench (1)
- Drill with 7/16" bit
- Socket 1/2"
- Ratchet with 3/8" drive, 6" extension
- Wrench 1-1/4" (1)
- Wrench 9/16" (2)
- Wrench 7/16" (1)
- Screwdriver, standard (1)

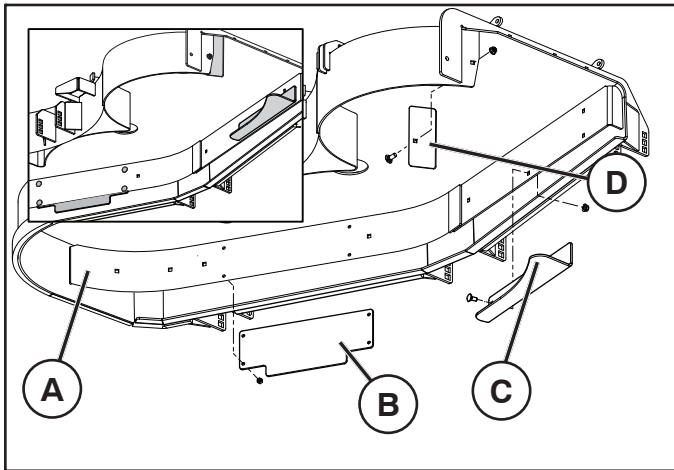
NOTE: When right hand (RH) and left hand (LH) are mentioned in this manual, it means when you are seated on the mower in the operator's position.

ASSEMBLY

INSTALLING BLOW OUT BAFFLES

NOTE: The collection system includes optional deck baffling designed to help prevent blow out when collecting in extremely dry cutting conditions. If cutting conditions are not extremely dry, baffling may not be required.

1. Remove the hardware from deck's center baffle.
2. Place the left hand baffle from the kit between the deck skirt (A) and the front edge of deck.
3. Secure the left hand baffle (B) and the center baffle to the deck skirt with four 1" carriage bolts and nuts supplied with the kit, using a 7/16" wrench.
4. With a 1/2" wrench, install the right hand baffle (C) on blade side of deck skirt and secure with two 1/2" carriage bolts and nuts from the kit.
5. *Deck 48" only* - secure the blockout plate (D) to the left hand side of the deck discharge opening with a 3/4" bolt and nut.



INSTALLING BLADES



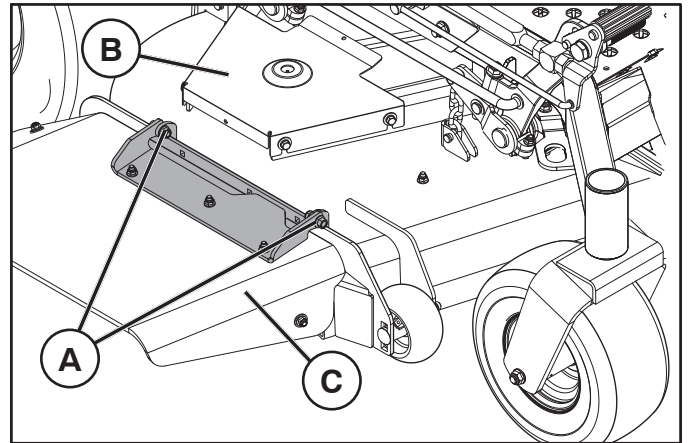
CAUTION! Blades are sharp. Protect your hands with gloves and/or wrap blades with a heavy cloth when handling.

1. Remove the original deck blades with a breaker bar and 15/16" socket. Retain the blade bolts for reuse.
2. Install the kit blades using the existing blade bolts (torque to 90 ft./lbs.).
3. Rotate the blades by hand and check for clearance of all baffles.
4. Make sure all hardware is tight.

INSTALLING DRIVE PULLEY

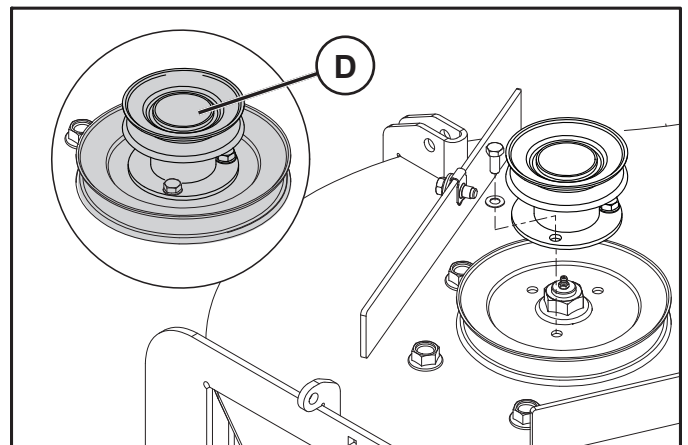
NOTE: Drive Kit is not included with the collection system.

1. Using two 9/16" wrenches, remove the hardware and discharge chute from the deck.
2. Lower deck to the lowest cutting position.
3. With a 1/2" wrench, remove the hardware (A) from the right hand (discharge side) belt cover (B) and remove the shield (C) from the deck.
4. Relieve the tension from the deck belt and remove it from the center deck pulley.
(See Operator Manual if necessary)



48" Deck

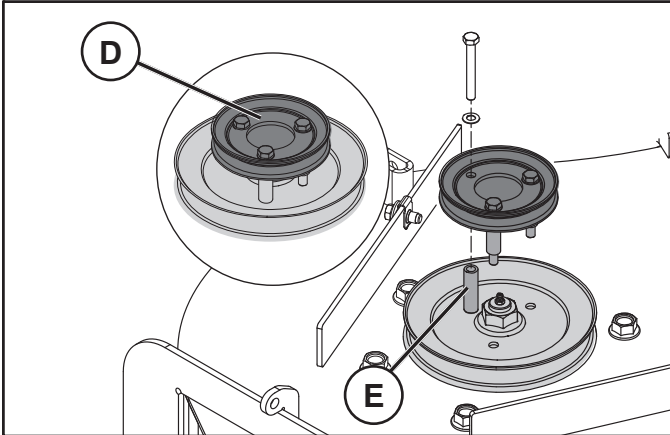
5. Remove the bolts and washers securing the right hand deck pulley to the spindle with a 1/2" wrench. Do not remove the pulley.
6. Install new drive pulley (D) on top of the current deck pulley. Use a 1/2" wrench to secure the three 5/8" bolts and spring washers to the top of the pulley.
7. Reinstall the deck belt.



ASSEMBLY

54" and 60" Deck

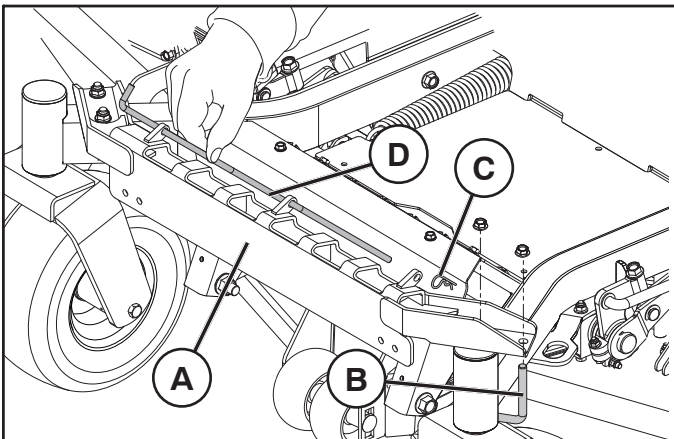
5. Remove the bolts and washers securing the right hand deck pulley to the spindle with a 1/2" wrench. Do not remove the pulley.
6. Install new drive pulley on top of the current deck pulley, placing spacers (E) in between. Use a 1/2" wrench to secure the three 2-1/2" bolts and spring washers to the top of the pulley. See illustration.
7. Reinstall the deck belt.



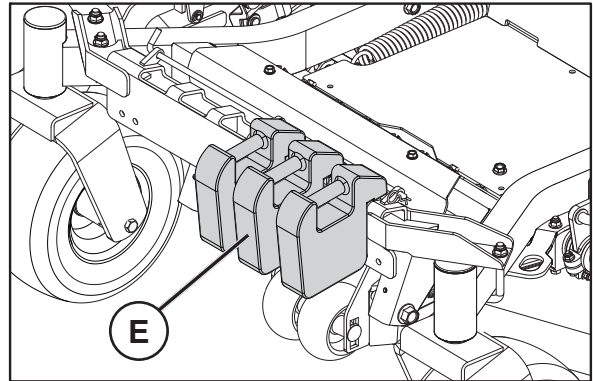
INSTALLING COUNTER WEIGHTS

NOTE: The 48" drive kit includes weight plates and mounting hardware that are not needed. Discard and use the counterweights included with the collection system.

1. Install the counterweight mounting bracket assembly (A) onto the front frame between the casters. Secure the U-bolts (B) under the frame and up through the bracket ends. Fasten the U-bolts with supplied nuts.
2. Remove the retainer (C) from the assembly latch rod (D) and slide the rod out of the bracket.



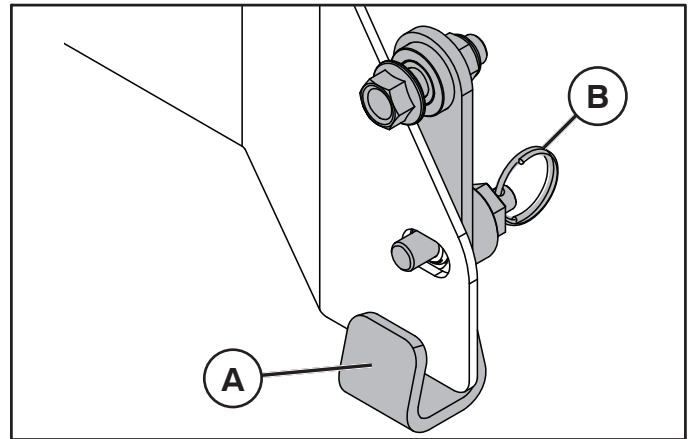
3. Set the three counterweights (E) into the mounting bracket, leaving the right hand side slots open.



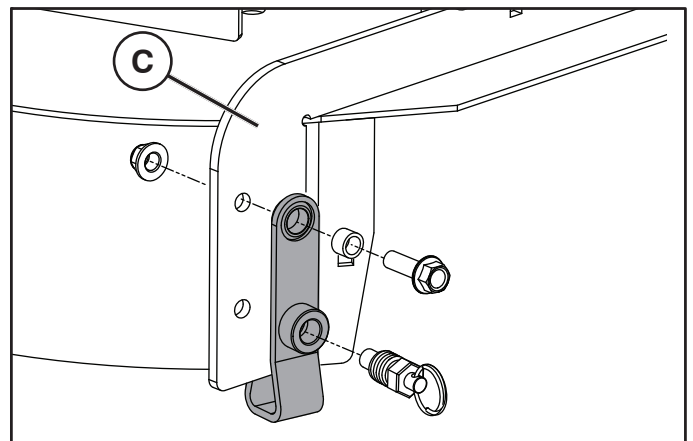
4. Reinstall the latch rod and secure it with the retainer.

MOUNTING BLOWER ASSEMBLY

1. Locate the lower rear latch assembly (A) attached to the mounting bracket of the blower assembly. Pull the spring pin (B) to release the assembly from the blower.



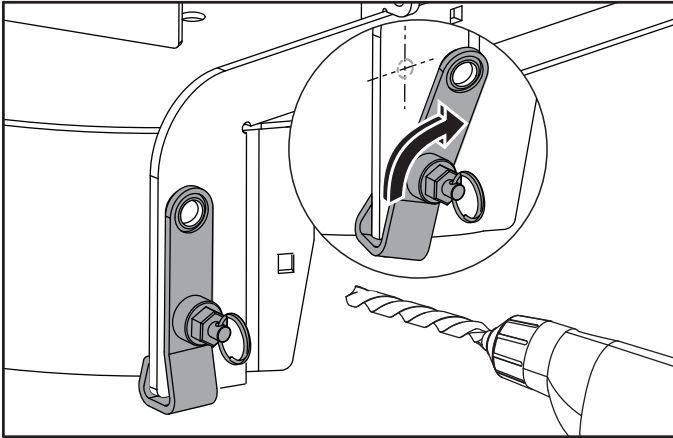
2. The assembly will be reattached to the deck discharge chute flange (C) at the rear of the deck. Attach the latch to the outside of the deck flange using the top hole. Secure the spring pin in the bottom hole.



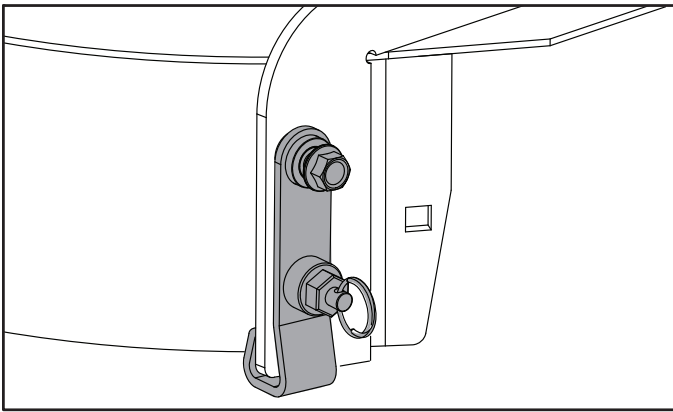
ASSEMBLY

NOTE: Older model decks may need to have the top hole drilled into the deck.

3. Secure the latch to the deck with the spring pin and adjust latch vertically (on the flange. Mark the location of the second hole and rotate the bracket out of the way. Drill a 7/16" hole at the mark.

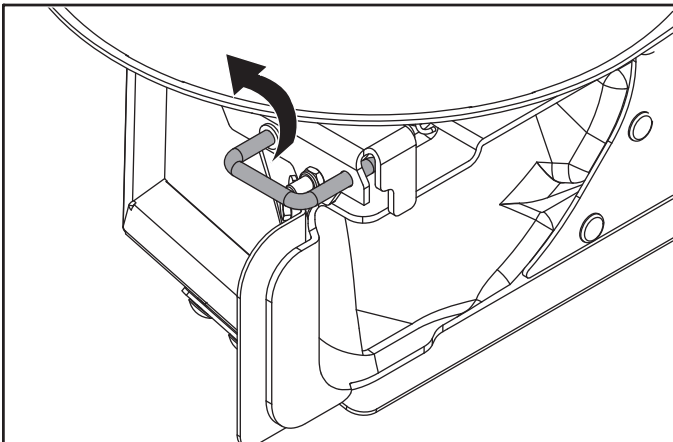


4. Move the latch assembly into place and attach the latch at the top hole with the bolt, spacer and nut.



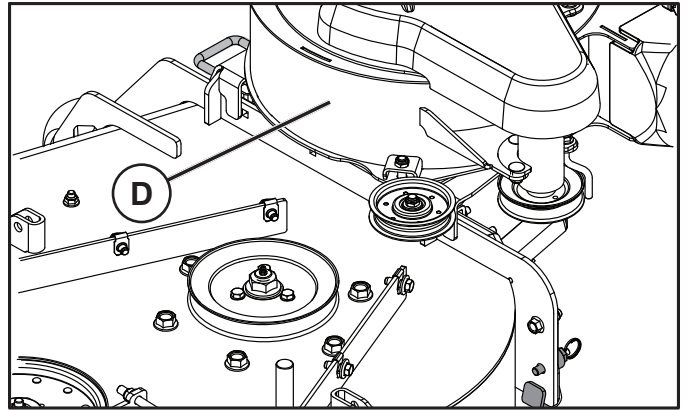
NOTE: The latch assembly can remain on the deck when the blower collection system is not used.

5. Slide the latch pins out and rotate up toward the upper housing.



6. Set the blower (D) on the deck with the mount slots over the discharge chute mounting tabs.

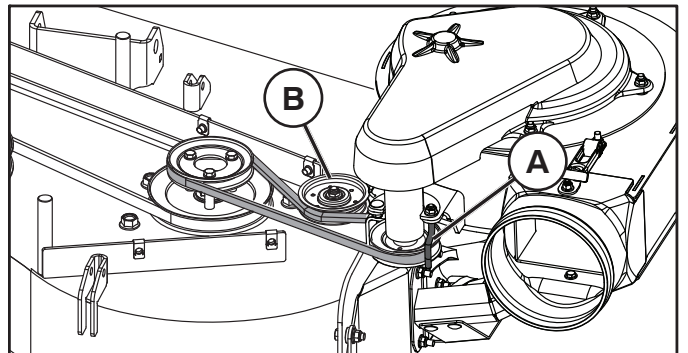
7. Rotate the latch pin back down, assuring it passes through the deck's front discharge chute mounting tab.
8. Pull the spring pin and rotate the lower rear latch until the pin fits through the blower mounting bracket and deck flange.



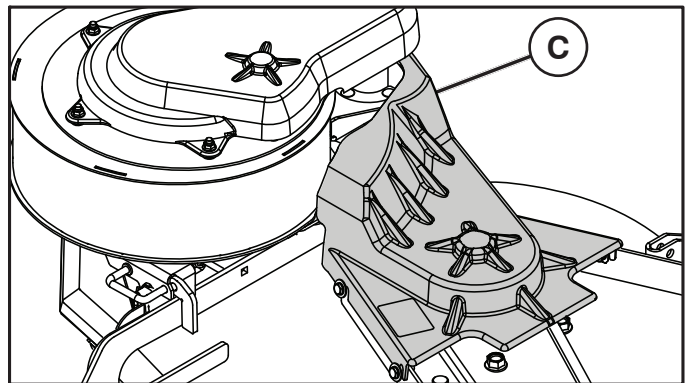
INSTALLING DRIVE BELT

1. Install drive belt around pulley on blower.
2. Rotate belt keeper (A) within 1/8" of blower pulley and tighten with 1/2" wrench.
3. Rotate blower idler (B) towards front of blower and place belt over deck pulley. See illustration for correct belt routing.

NOTE: It may be necessary to disengage the latch pins and pivot the blower to aid in installing the drive belt. Reinstall the latch pins after the belt installation.



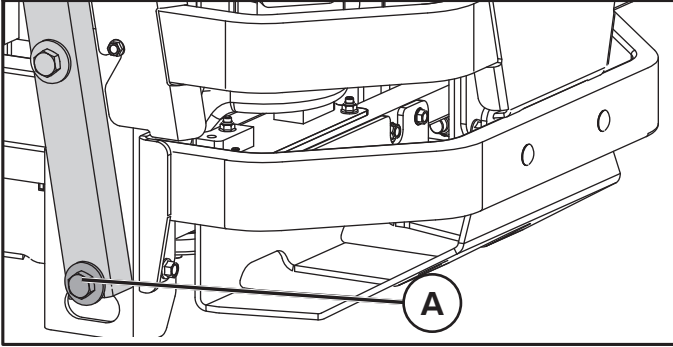
4. Set drive kit deck belt cover (C) over deck pulleys and reinstall deck shield hardware.



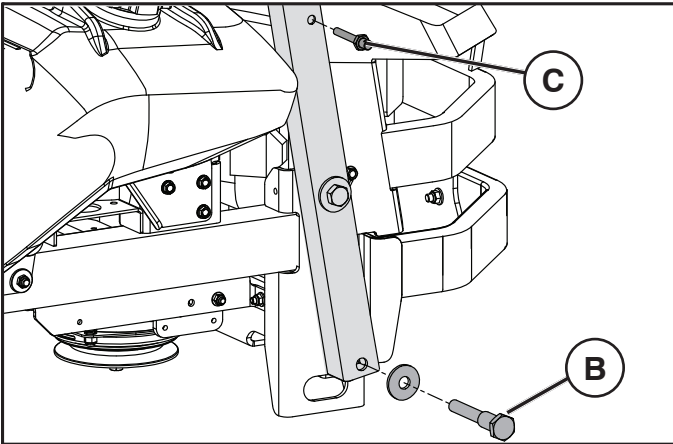
ASSEMBLY

INSTALLING COLLECTOR

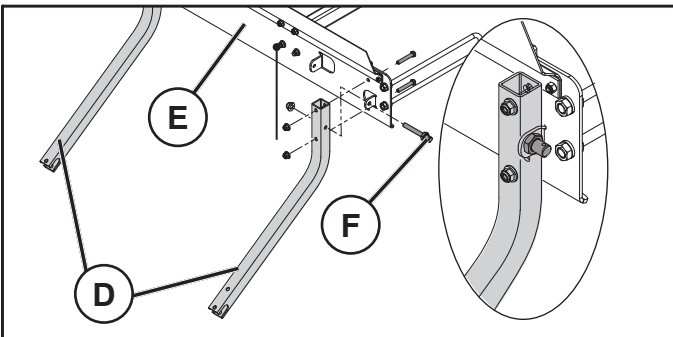
1. Using two 15/16" wrenches, remove the lower ROPS bolts (A) on each side, retaining washer and nut for next step.



2. Install a hitch pin (B), washer and nut on each side where the ROPS bolt was removed. Tighten hitch pins and nuts with 15/16" and 1-1/4" wrenches.
3. Install the mount pins (C) through ROPS tube in predrilled holes approximately 18" up from bottom of ROPS tube. The pin will pass from the outside in, so the threads are on the inside of the tube. Secure each side with nuts and tighten using 3/4" and 9/16" wrenches.



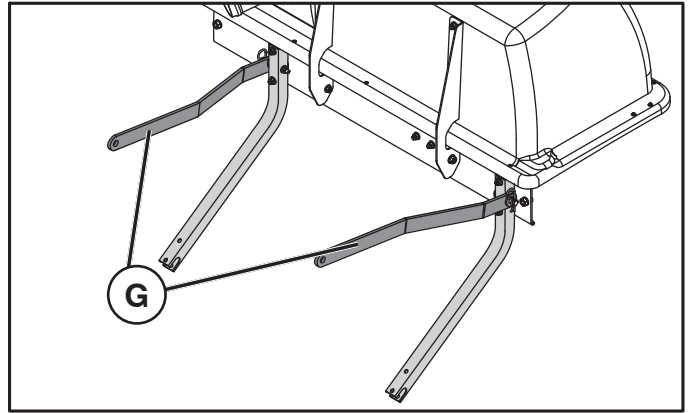
4. Attach the hitch tubes (D) to the hitch assembly (E) with 2-1/4" bolts and nuts as shown. Tighten using 9/16" and 3/4" wrenches. Install pin mounts (F) through the hitch tubes and hitch assembly and secure with nuts.



5. Attach the straps (G) to the previously installed mount pins at the hood assembly.

NOTE: the short leg of the straps attach at the cross plate end and the straps angle inward.

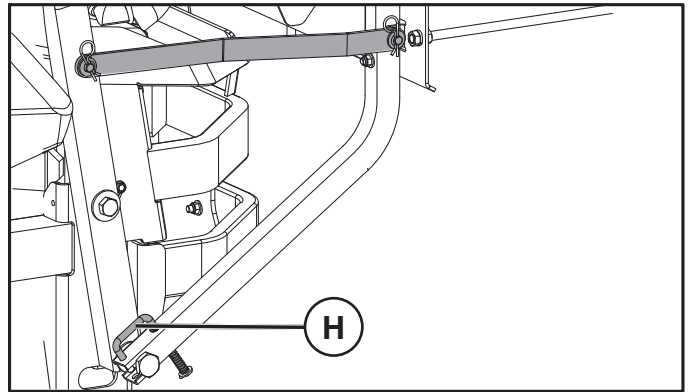
6. Secure the straps with washers and retainers in the mount pins.



7. With the hood/hitch assembly behind the mower, place the lower slotted portion of the hitch tubes over the hitch pins attached to the bottom of the ROPS.

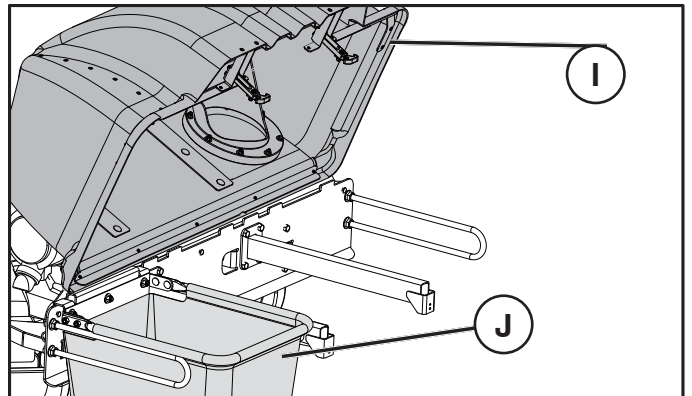
NOTE: be sure that the retention pin (H) hooks over the front of the hitch pins.

8. Lift up on the rear of the hood and attach the free ends of the straps on the upper pins installed in the ROPS. Secure with washers and retainers.



9. Release the hood latches (I) of the hood and lift hood open. If hood does not stay open, tighten hood hinge bolts slightly.

10. Install collector bags (J), close and latch hood.



11. Attach the hose between the hood assembly and the blower assembly.

MAINTENANCE

Transport



CAUTION! The collection system hopper must be completely empty and all three counter weights must be installed when driving forward onto a trailer. If the mower must be loaded onto a trailer while there is still debris in the hopper, the mower must be backed up onto the trailer to avoid tipping.



CAUTION! Do not transport the mower with the counterweights attached to the mounting bracket. Remove the counterweights after the mower is in the trailer. Secure the weights to the trailer separately.

- The machine is heavy and can cause serious crushing injuries. Be extra cautious when it is loaded on or unloaded from a vehicle or trailer.
- Use an approved trailer to transport the machine. Activate the parking brake, turn off the fuel supply, and fasten the machine with approved fastening devices, such as bands, chains or straps.
- Check and abide by local traffic regulations before transporting the machine on any road.
- Load the unit onto truck or trailer by driving up ramps of suitable strength using a slow speed. Do not lift! The machine is not intended to be lifted by hand.
- When loading or unloading this machine, do not exceed the maximum recommended operation angle of 10°.

Hose Care

1. Inspect hoses before each use. If hoses have excessive wear, tears or punctures, replace immediately.
2. To prolong the life of the hose, periodically rotate hose and turn hose end to end. Refer to Preventative Maintenance Schedule in this manual.
3. To decrease wear, avoid twists and sharp turns in the hoses.
4. Avoid dragging the lower hose along the sides of buildings or other hard surfaces.

Cleaning

Regular cleaning, washing, and lubricating will prolong the service of the machine.

NOTE: Use care with power washers to avoid damage to decals. **DO NOT EXCEED 1000 PSI WATER PRESSURE FOR CLEANING**

For best results, clean polymesh regularly. The poly mesh on the collection system is located inside the hopper hood.

1. Shut off engine.
2. Release the two rubber latches under the rear of the hood. Open hood and brush debris off of both sides.
3. Close hood and relatch.

DO NOT USE THE COLLECTION SYSTEM WITHOUT POLY MESH SECURELY IN PLACE.

Storage

When grass catcher is to be stored for a period of time, clean it thoroughly, remove all dirt, grass, leaves, etc. Cover all scratches with touch-up paint.

Store in a clean, dry place. Covered or indoor storage is recommended.

Maintenance Schedule

ITEM	BEFORE EACH USE	EVERY 5 HOURS	EVERY 25 HOURS	EVERY 50 HOURS
Inspect/clean polymesh	X	X		
Check/tighten nuts and bolts	X			
Check/tighten hoses	X			
Turn hose end to end			X	
Rotate hose				X
Clean machine				X


Troubleshooting Guide

Problem	Possible Cause
Loss of Vacuum	Hose or hood inlet clogged
	Container full
	Poly mesh plugged
Unusual vibration or noise	Solid object jammed in unit
	Loose or missing bolts
Unit difficult to close	Obstructions keeping door from closing completely
	Hood hinge bolts are too tight


WIR GRATULIEREN IHNEN zum Kauf Ihres neuen Sammelsystems. Es wurde so konzipiert, konstruiert und hergestellt, dass es die optimale Zuverlässigkeit und Leistung bietet.

Falls Sie ein Problem bemerken, welches Sie nicht ohne Weiteres beheben können, wenden Sie sich an Ihr nächstgelegenes autorisiertes Service Center oder an die Kundendienstabteilung. Diese haben kompetente, qualifizierte Techniker und die richtigen Werkzeuge für Wartungs- und Reparaturarbeiten.

Bitte lesen Sie diese Anleitung und bewahren Sie sie auf. Mithilfe der Anweisungen können Sie Ihr Sammelsystem ordnungsgemäß montieren und warten. Beachten Sie stets die SICHERHEITSHINWEISE.

 **ACHTUNG!** Betreiben Sie den Mäher NICHT mit teilweise installiertem Grasfänger.


- Schalten Sie die Messer aus und stellen Sie den Motor ab, bevor Sie den Mähersitz verlassen, um Behälter zu leeren, Verstopfungen zu beseitigen usw.
- Schließen Sie die Abdeckung vor dem Start.
- Schalten Sie die Mähmesser aus, wenn Sie Einfahrten oder Kiesflächen überqueren und andere Bereiche, in denen hochgeschleuderten Gegenstände eine Gefahr darstellen könnten.
- Versuchen Sie NICHT, Dosen oder andere potenziell gefährliche Geschosse aufzusaugen.


 **ACHTUNG!** Before assembling grass catcher to mower:


- Ziehen Sie die Handbremse fest.
- Schieben Sie den Schalthebel in die Neutralstellung.
- Schalten Sie die Zündung AUS und ziehen Sie den Schlüssel ab.
- Stellen Sie sicher, dass alle Messer und beweglichen Teile zum Stillstand gekommen sind.

MACHEN SIE SICH MIT DEM SAMMELSYSTEM VERTRAUT

LESEN SIE DIESE BETRIEBSANLEITUNG UND DIE SICHERHEITSHINWEISE VOR DER MONTAGE ODER INBETRIEBNAHME DES SAMMELSYSTEMS. Vergleichen Sie die Abbildungen mit dem Packungsinhalt, um sich vor Beginn der Montage mit den Teilen vertraut zu machen. Lesen Sie die Betriebsanleitung und die Sicherheitsvorschriften sorgfältig, um die vorschriftsmäßige Funktion des Grasfängers sicherzustellen und um Verletzungen von sich selbst und anderen zu vermeiden. Bewahren Sie diese Bedienungsanleitung zum späteren Nachschlagen auf.

 **ACHTUNG!** Lassen Sie kein Gras in den Grasfängerbehältern. Leeren Sie die Behälter nach jedem Gebrauch und vor der Lagerung. Bei Nichtbeachtung kann eine spontane Entzündung auftreten, die zu einem Brand führen kann.

 **ACHTUNG!** Teile des Grasfängers sind normalem Verschleiß, Beschädigungen und Abnutzung ausgesetzt. Dies kann bewegliche Teile freisetzen oder zum Wegschleudern von Objekten führen. Prüfen Sie regelmäßig die Komponenten und ersetzen Sie diese bei Bedarf durch die vom Hersteller empfohlenen Teile.

 **ACHTUNG!** Beim Gebrauch eines Mähers besteht immer die Gefahr, dass ein Fremdkörper in die Augen des Bedieners geschleudert wird. Dies kann zu schweren Augenverletzungen führen. Tragen Sie IMMER eine Schutzbrille oder einen anderen Augenschutz, bevor Sie den Mäher starten und beim Mähen. Es wird eine Standardschutzbrille empfohlen oder eine Schutzmaske mit weitem Gesichtsfeld, die über der Brille getragen werden kann.



WARNUNG! DIESE MÄHMASCHINE KANN HÄNDE UND FÜSSE AMPUTIEREN UND OBJEKTE UMHerschleudern. DAS NICHTBEACHTEN DER FOLGENDEN SICHERHEITSHINWEISE KANN ZU VERLETZUNGEN ODER ZUM TOD FÜHREN.

Allgemeiner Betrieb

- Arbeiten Sie NICHT mit einem Mäher mit Grasfänger, es sei denn, die Frontgewichte sind montiert. Machen Sie sich mit allen Anweisungen in der Bedienungsanleitung und an der Maschine vertraut, bevor Sie die Maschine starten.
- Halten Sie die Maschine frei von Gras, Blättern oder sonstigem Unrat, der mit dem heißen Auspuff/Motorteilen in Berührung kommen und einen Brand entfachen kann. Lassen Sie das Mähwerk nicht in Kontakt mit Blättern oder Verunreinigungen kommen, da sich so Rückstände ablagern können.
- Schalten Sie den Motor aus, bevor Sie den Grasfänger entfernen oder Verstopfungen beseitigen.
- Arbeiten Sie nicht mit dem Mäher, ohne dass entweder der gesamte Grasfänger oder der Schutz angebracht ist. Achten Sie auf die Mäherauswurfichtung, und richten Sie diese nicht auf Personen.
- Entfernen Sie Objekte wie z. B. Steine, Kiesel, Spielzeug, Draht usw., die von den Messern aufgenommen und umher geschleudert werden können, aus dem Arbeitsbereich.
- Das Gerät darf nur von verantwortungsvollen Erwachsenen betrieben werden, die sich mit den Anweisungen auskennen.
- Der Eigentümer und Bediener dieser Ausrüstung kann Unfälle verhindern und ist verantwortlich für Unfälle oder Verletzungen, die er selbst oder andere Personen/ Fremdeigentum erleiden.
- Stellen Sie vor dem Mähen sicher, dass sich keine Personen und Haustiere in diesem Bereich befinden. Stoppen Sie die Maschine, wenn eine Person in den Arbeitsbereich kommt.
- Transportieren Sie niemals Passagiere oder Kinder, auch nicht, wenn die Messer ausgeschaltet sind.
- Mähen Sie nicht im Rückwärtsgang, außer es ist absolut notwendig. Schauen Sie stets nach unten und nach hinten, wenn Sie rückwärtsfahren.
- Bremsen Sie vor dem Wenden ab.
- Lassen Sie die Maschine nie unbeaufsichtigt, wenn der Motor läuft. Schalten Sie immer die Messer aus, ziehen Sie die Handbremse, schalten Sie den Motor aus und ziehen Sie den Schlüssel ab, bevor Sie von der Maschine absteigen.
- Schalten Sie die Messer aus, wenn Sie nicht mähen.
- Mähen Sie nur bei Tageslicht oder einwandfreier künstlicher Beleuchtung.
- Bedienen Sie die Maschine nicht unter Alkohol- oder Drogeneinfluss.
- Achten Sie beim Betrieb in der Nähe oder beim Überqueren von Straßen auf den Verkehr.
- Gehen Sie besonders sorgsam vor, wenn Sie die Maschine auf einen Anhänger oder Lkw verladen oder von dort entladen.
- Statistische Daten belegen, dass Bediener ab 60 Jahren an einem großen Teil der Unfälle mit Aufsitzmähern beteiligt waren. Diese Bediener sollten ihre Fähigkeit zum sicheren Betrieb des Aufsitzmähers kritisch hinterfragen, um sich und andere vor Verletzungen zu schützen.

- Entfernen Sie alles ausgetretene Öl oder Kraftstoff, bevor Sie die Maschine betreiben oder lagern.
- Lassen Sie die Maschine vor dem Einlagern abkühlen.

Betrieb am Hang

Gefälle sind ein wesentlicher Grund für Kontrollverlust und Kippunfälle, die zu schweren Verletzungen oder zum Tod führen können. An Hängen ist besondere Vorsicht geboten. Wenn Sie am Hang nicht rückwärtsfahren können oder sich dort nicht wohl fühlen, mähen Sie dort nicht.

WAS SIE TUN SOLLTEN

- Mähen Sie bei Hügeln auf- und abwärts (max. 10°), aber nie quer zum Hang.
- Entfernen Sie Hindernisse wie Steine, Äste, usw.
- Achten Sie auf Löcher, Furchen oder Bodenwellen. Bei unebenem Boden könnte die Maschine kippen. **Hohes Gras kann Hindernisse verbergen.**
- Mähen Sie mit geringer Geschwindigkeit. Wählen Sie eine geringe Geschwindigkeit, sodass Sie am Hang nicht stoppen müssen.
- Seien Sie besonders vorsichtig mit Grasfängern oder anderen Anbaugeräten. Dadurch kann die Stabilität der Maschine beeinträchtigt werden.
- Führen Sie alle Bewegungen an Hängen **langsam** und **schrittweise** aus. Vermeiden Sie abrupte Geschwindigkeits- und Richtungswechsel.
- Vermeiden Sie das Starten und Drehen am Hang. Falls die Reifen die Traktion verlieren, schalten Sie die Messer aus und fahren Sie den Hang langsam **direkt** hinunter.

WAS SIE NICHT TUN SOLLTEN

- Wenden Sie an Hängen **nicht**, wenn nicht unbedingt notwendig und wenden Sie wenn dann langsam und fahren Sie den Hang stetig bergab, wenn möglich.
- Mähen Sie **nicht** in der Nähe von Abhängen, Gruben oder an Dämmen. Der Mäher könnte plötzlich umkippen, wenn ein Rad über den Rand eines Absatzes oder eines Grabens gerät oder eine Kante einbricht.
- Mähen Sie **nicht** auf feuchtem Gras. Geringere Traktion könnte zum Rutschen führen.
- Versuchen Sie nicht, die Maschine zu stabilisieren, indem Sie einen Fuß auf den Boden stellen.

Service

- Die Teile des Grasfängers sind Verschleiß, Beschädigungen und Abnutzung ausgesetzt. Dies kann bewegliche Teile freisetzen oder zum Wegschleudern von Objekten führen. Prüfen Sie regelmäßig die Komponenten und ersetzen Sie diese bei Bedarf durch die vom Hersteller empfohlenen Teile.
- Beim Gebrauch einer Mähers kann es dazu kommen, dass ein Fremdkörper in die Augen des Bedieners geschleudert wird, was zu schweren Augenverletzungen führen kann. Tragen Sie beim Betrieb, beim Einstellen oder bei einer Reparatur des Mähers immer eine Schutzbrille oder einen anderen Augenschutz. Es wird eine Schutzmaske mit weitem Gesichtsfeld empfohlen, die über Brillen oder Schutzbrillen getragen werden kann.
- Sorgen Sie dafür, dass Muttern und Schrauben, vor allem Befestigungsschrauben, festgezogen sind und die Ausrüstung in gutem Zustand ist.
- Manipulieren Sie die Sicherheitsvorrichtungen nicht. Überprüfen Sie das Gerät regelmäßig auf ordnungsgemäße Funktion.
- Halten Sie die Maschine frei von Gras, Blättern oder anderen Rückständen.

- Entfernen Sie ausgelaufenes Öl oder Kraftstoff.
- Lassen Sie das Gerät vor der Einlagerung abkühlen.
- Stellen Sie den Motor nach einer Kollision mit einem Gegenstand ab und überprüfen Sie die Ausrüstung. Führen Sie ggf. vor dem Weiterarbeiten eine Reparatur durch.
- Nehmen Sie niemals Einstellungen oder Reparaturen bei laufendem Motor vor.
- Die Mähmesser sind scharf und können schneiden. Umwickeln Sie bei Wartungsarbeiten das oder die Messer oder tragen Sie Handschuhe und gehen Sie besonders vorsichtig vor.
- Überprüfen Sie die Funktionen der Bremsen regelmäßig. Die Einstellung und Wartung erfolgt wie in der Bedienungsanleitung beschrieben.

Tipps für eine bessere Sammlung

- Befolgen Sie die Mäher-Bedienungsanweisungen im Bedienerhandbuch.
- Wenn Sie den Grasfänger auf einem Rasen verwenden, wo zuvor keine Gras- und Blattsammelgeräte eingesetzt wurden, werden Rasenfilz und Verunreinigungen aufgenommen, die sich über längere Zeit angesammelt haben. Die gesammelte Menge und die Gesamtarbeitszeit können größer sein als beim regelmäßigen Gebrauch des Grasfängers.
- Geben Sie beim Sammeln immer Vollgas.
- Wählen Sie eine Fahrgeschwindigkeit, die niedrig genug ist, um eine gute Mähleistung, einen qualitativ guten Schnitt und eine gute Sammelleistung zu erzielen.
HINWEIS: Es kann notwendig sein, die Schnittbreite gemäß Ihren Bedürfnissen überlappen zu lassen.
- Wenn das Gras extrem hoch ist, sollte es zweimal geschnitten werden. Der erste Schnitt sollte mit einer der höchsten Einstellungen erfolgen, und der zweite auf die gewünschte Höhe.
- Verwenden Sie die linke Seite des Mähers zum Schneiden.
- Mähen Sie kein nasses Gras oder am Morgen, während viel Tau vorhanden ist. Grasschnitt, der unter diesen Bedingungen gesammelt wird, klebt häufig und hängt an den Wänden fest, wo es den Durchfluss verstopft.
- Wenn der Grasfänger den Grasschnitt oder die Blätter nicht erfasst, ist dies ein Anzeichen, dass eine Verstopfung im System aufgetreten ist, oder dass die Grasfängerbehälter voll sind.
 - a. Schalten Sie die Messer aus und schieben Sie den Schalthebel in die Neutralstellung.
 - Lösen und heben Sie die Abdeckung an.
 - Ziehen Sie die Behälter heraus und entsorgen Sie das Schnittgut.
 - Tauschen Sie die Container aus, schließen Sie die Abdeckung und verriegeln Sie sie.
 - b. Entsperren Sie den Schacht und überprüfen Sie, ob der verstopft ist.
 - Entfernen Sie alle Rückstände im Schacht.
 - Bauen Sie den Schacht wieder zusammen und verriegeln Sie ihn.

Allgemeine Empfehlungen

Beachten Sie stets die Sicherheitsregeln bei der Durchführung von Wartungsarbeiten.

- Überprüfen Sie vor jedem Gebrauch, ob alle Befestigungselemente fest angezogen sind.
- Reinigen Sie das Gerät nach jedem Gebrauch gründlich.

Messerpflege

- Für beste Ergebnisse müssen die Mähmesser scharf gehalten werden. Ersetzen Sie verbogene oder beschädigte Messer.
- Siehe die Anweisungen in der Bedienungsanleitung des Mähers.

Lagerung

Wenn der Grasfänger für eine gewisse Zeit gelagert werden soll, reinigen Sie ihn gründlich von Schmutz, Gras, Blättern usw. Lagern Sie ihn an einem sauberen, trockenen Ort.

Erforderliche Werkzeuge

- 15/16-Zoll-Schraubenschlüssel (2)
- 3/4-Zoll-Schraubenschlüssel (1)
- 1/2-Zoll-Schraubenschlüssel (1)
- Drehmoment-Zoll-Schraubenschlüssel (1)
- Bohrer mit 7/16-Zoll-Einsatz
- Steckschlüssel 1/2-Zoll
- Ratsche mit 3/8-Zoll-Antrieb, 6-Zoll-Verlängerung
- 1-1/4 Zoll-Schraubenschlüssel (1)
- 9/16-Zoll-Schraubenschlüssel (2)
- 7/16-Zoll-Schraubenschlüssel (1)
- Schraubenzieher, Standard (1)

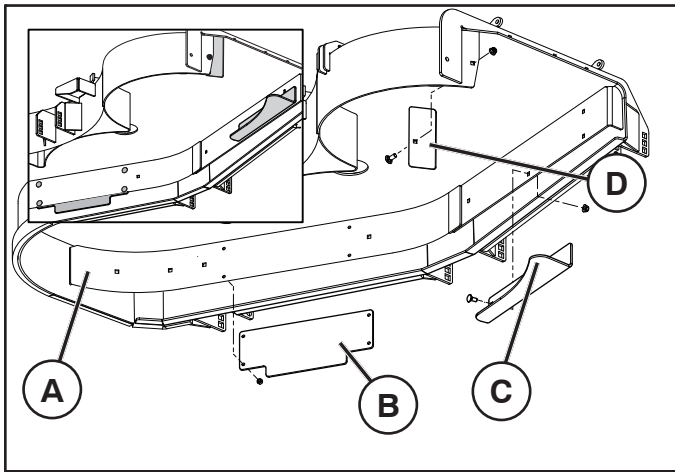
HINWEIS: Wenn in diesem Handbuch die Begriffe rechts und links verwendet werden, dann bezieht sich dies immer auf die Position auf dem Mäher im Fahrersitz.

MONTAGE

MONTIEREN DER AUSBLAS-LEITBLECHE

HINWEIS: Das Sammelsystem enthält optionale Schneidwerkleitbleche, die das Ausblasen beim Einsammeln unter extrem trockenen Schneidebedingungen verhindern sollen. Wenn die Bedingungen nicht extrem trocken sind, sind die Leitbleche unter Umständen nicht erforderlich.

1. Entfernen Sie die Befestigungsteile vom Leitblech des Schneidwerks.
2. Setzen Sie das linke Leitblech aus dem Montagesatz zwischen der Schneidwerkschürze (A) und der Vorderkante des Schneidwerks ein.
3. Sichern Sie das linke (B) und das mittlere Leitblech an der Schneidwerkschürze mit vier 1-Zoll-Schlossschrauben und Muttern aus dem Montagesatz mit einem 7/16-Zoll-Schraubenschlüssel.
4. Montieren Sie mit einem 1/2-Zoll-Schraubenschlüssel das rechte Leitblech (C) auf der Messerseite der Schneidwerkschürze und befestigen Sie es mit zwei 1,27 cm-Schlossschrauben und Muttern aus dem Montagesatz.
5. Nur 48-Zoll Schneidwerk – Sichern Sie die Aussperrplatte (D) an der linken Seite der Auswurföffnung des Schneidwerks mit einer 3/4-Zoll-Schraube und Mutter.



MONTIEREN DER MESSER



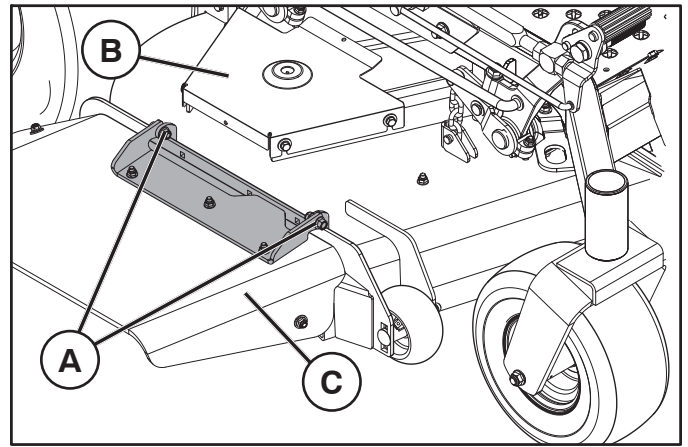
ACHTUNG! Die Messer sind scharf. Bei der Arbeit die Hände mit Handschuhen schützen und/oder die Messer mit einem dicken Tuch umwickeln.

1. Entfernen Sie die ursprünglichen Messer des Schneidwerks mit einem Spezialwerkzeug und einem 15/16-Zoll-Steckschlüssel. Bewahren Sie die Klingenschrauben für eine erneute Verwendung auf.
2. Montieren Sie den Klingensatz mit den vorhandenen Klingenschrauben (Drehmoment 90 ft. /lbs.).
3. Drehen Sie die Messer von Hand und überprüfen Sie, ob alle Leitbleche genügend Spiel haben.
4. Stellen Sie sicher, dass alle Befestigungsteile fest angezogen sind.

MONTIEREN DER ANTRIEBSRIEMENSCHLEIBE

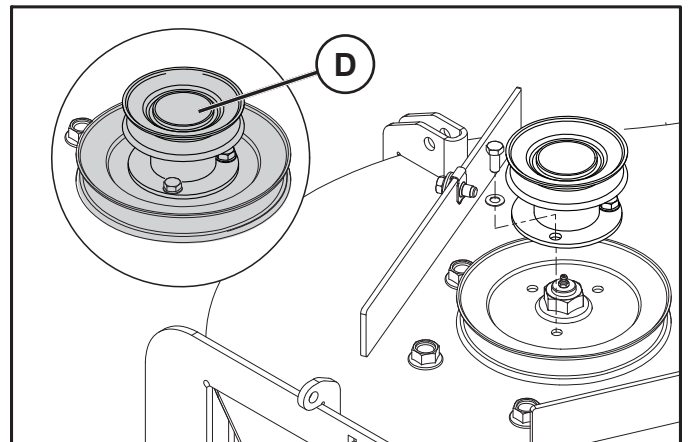
HINWEIS: Der Antriebssatz ist nicht im Lieferumfang des Aufsammlers enthalten.

1. Verwenden Sie zwei 9/16-Zoll-Schraubenschlüssel und entfernen Sie die Befestigungsteile und den Auswurfsammler vom Schneidwerk.
2. Senken Sie das Schneidwerk in die unterste Schnittposition ab.
3. Verwenden Sie einen 1/2-Zoll-Schraubenschlüssel, entfernen Sie die Befestigungsteile (A) von der rechten Seite (Auswurfseite) der Riemenabdeckung (B) und entfernen Sie die Schutzabdeckung (C) vom Schneidwerk.
4. Lösen Sie die Spannung vom Deckriemen und entfernen Sie ihn von der mittleren Schneidwerk-Riemenscheibe. (Siehe Betriebsanleitung, falls notwendig).



48-Zoll-Schneidwerk

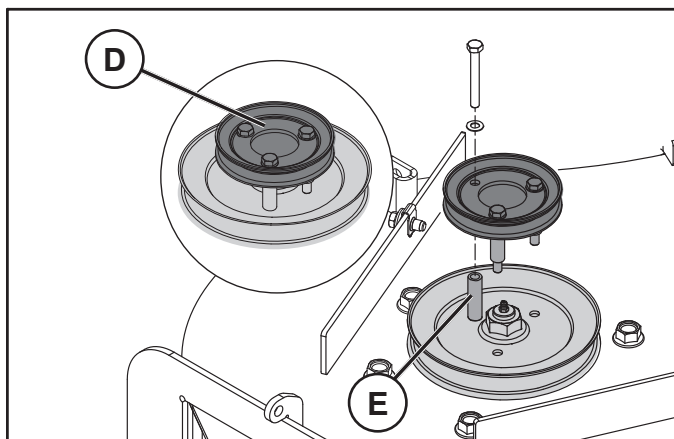
5. Entfernen Sie die Schrauben und Unterlegscheiben und befestigen Sie die rechte Schneidwerk-Riemenscheibe auf einer Spindel mit einem 1/2-Zoll-Schraubenschlüssel. Entfernen Sie nicht die Riemenscheibe.
6. Montieren Sie eine neue Antriebsriemenscheibe (D) oberhalb der aktuellen Schneidwerk-Riemenscheibe. Verwenden Sie einen 1/2-Zoll-Schraubenschlüssel, um die drei 5/8-Zoll-Schrauben und die Federscheiben oben an der Riemenscheibe zu befestigen.
7. Bringen Sie den Schneidwerksriemen wieder an.



MONTAGE

54-Zoll- und 60-Zoll-Schneidwerk

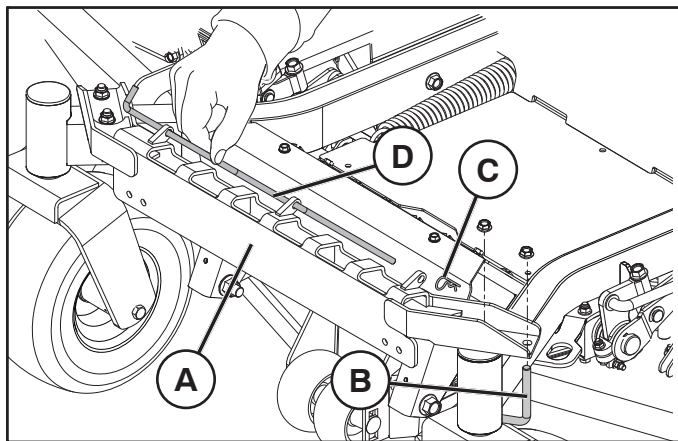
- Entfernen Sie die Schrauben und Unterlegscheiben und befestigen Sie die rechte Schneidwerk-Riemenscheibe auf einer Spindel mit einem 1/2-Zoll-Schraubenschlüssel. Entfernen Sie nicht die Riemenscheibe.
- Montieren Sie die neue Antriebsriemenscheibe oben in der gegenwärtigen Schneidwerk-Riemenscheibe und setzen Sie dazwischen Distanzstücke (E) ein. Verwenden Sie einen 1/2-Zoll-Schraubenschlüssel, um die drei 2-1/2-Zoll-Schrauben und Federscheiben oben an der Riemenscheibe zu sichern. Siehe Abbildung.
- Bringen Sie den Schneidwerksriemen wieder an.



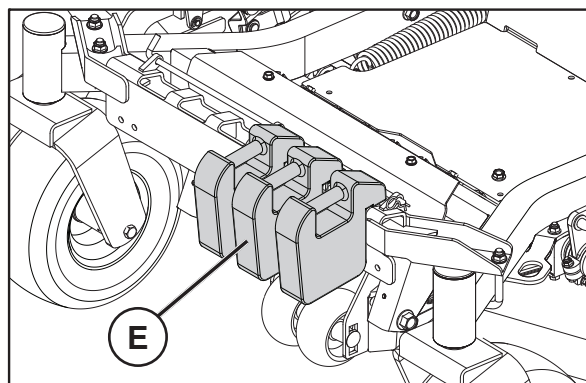
MONTIEREN DER GEGENGEWICHTE

HINWEIS: Der 48-Zoll-Antriebssatz enthält die Gewichtsplatten und die Verbindungselemente, die nicht benötigt werden. Entsorgen Sie ihn und verwenden Sie die Gegengewichte, die im Lieferumfang des Aufsammlers enthalten sind.

- Montieren Sie die Halterbaugruppe für die Gegengewichte (A) am vorderen Rahmen zwischen den Rollen. Befestigen Sie die U-Schrauben (B) unter dem Rahmen und nach oben durch die Halterungsenden. Befestigen Sie die U-Schrauben mit den mitgelieferten Muttern.
- Entfernen Sie die Halterung (C) von der Verriegelungsstange der Baugruppe (D) und ziehen Sie die Stange aus der Halterung heraus.



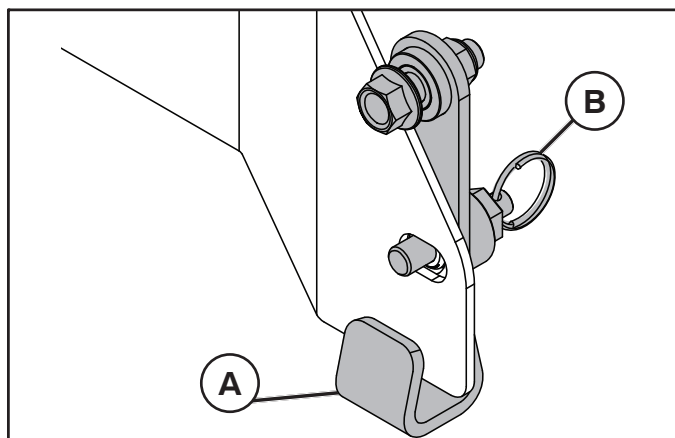
- Setzen Sie die drei Gegengewichte (E) in die Halterung ein und lassen Sie dabei die rechte Position frei.



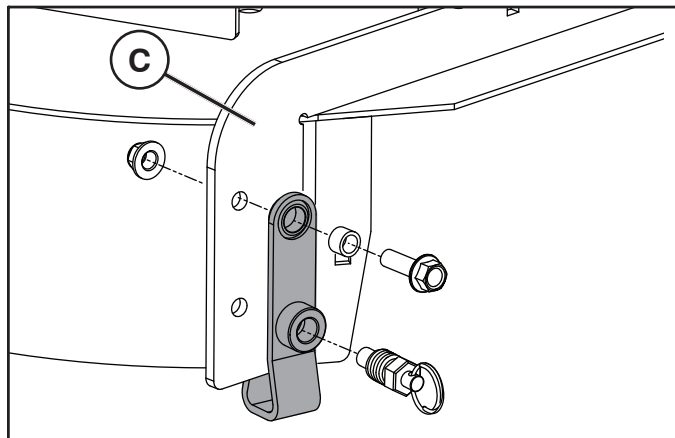
- Montieren Sie die Verriegelungsstange wieder, und befestigen Sie sie mit der Halterung.

ZUSAMMENBAU DES LAUBBLASGERÄTS

- Suchen Sie die untere hintere Verriegelungsbaugruppe (A), die an der Gerätehalterung des Laubblasgeräts angebracht ist. Ziehen Sie den Federstift (B), um die Baugruppe vom Laubblasgerät zu trennen.



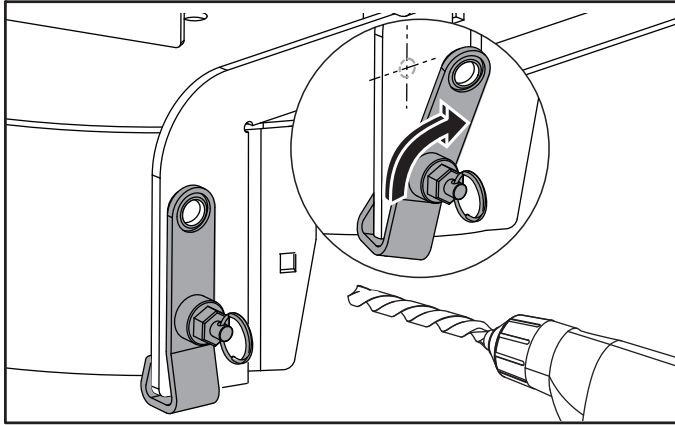
- Die Montage wird am Schneidwerk-Auswurfsammler (C) an der Rückseite des Schneidwerks wieder angebracht. Befestigen Sie die Verriegelung an der Außenseite des Schneidwerkflanschs an der oberen Bohrung. Befestigen Sie den Federstift in der unteren Bohrung.



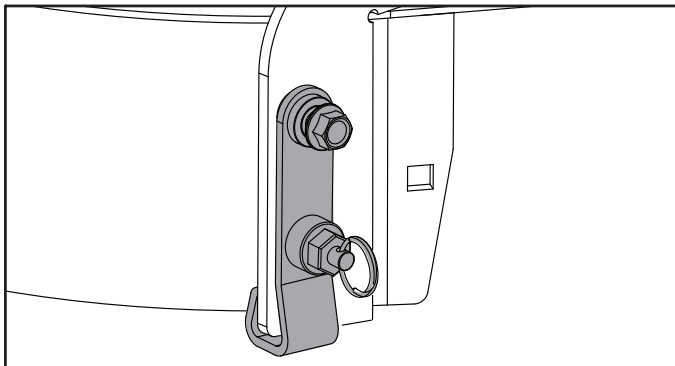
MONTAGE

HINWEIS: Bei älteren Schneidwerktypen muss unter Umständen die obere Bohrung in das Schneidwerk gebohrt werden.

3. Befestigen Sie die Verriegelung am Schneidwerk mit dem Federstift und stellen Sie die Verriegelung vertikal am Flansch ein. Markieren Sie die Position der zweiten Bohrung und drehen Sie die Halterung aus dem Weg. Bringen Sie eine 7/16"-Bohrung an der Markierung an.

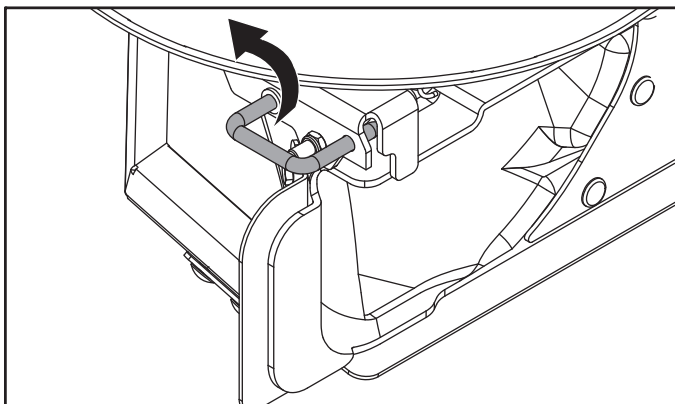


4. Bewegen Sie die Verriegelungsbaugruppe in die richtige Position und befestigen Sie die Verriegelung an der oberen Bohrung mit der Schraube, dem Distanzstück und der Mutter.



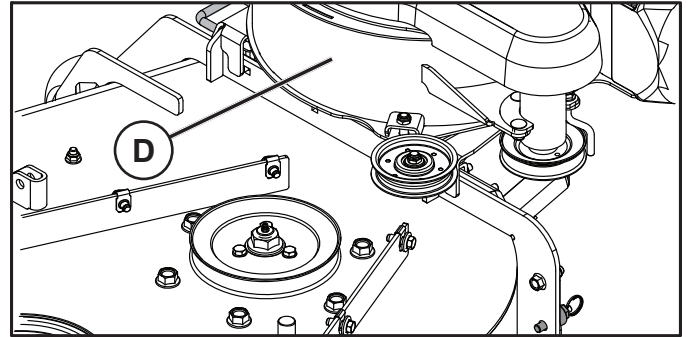
HINWEIS: Die Verriegelungsbaugruppe kann am Schneidwerk belassen werden, wenn das Sammelsystem des Laubblasgeräts nicht verwendet wird.

5. Schieben Sie die Verriegelungsstifte nach außen und drehen Sie sie nach oben in Richtung des oberen Gehäuses.



6. Setzen Sie das Laubblasgerät (D) auf das Schneidwerk, mit den Montagschlitzen über den Befestigungsglaschen des Auswurfsammlers.

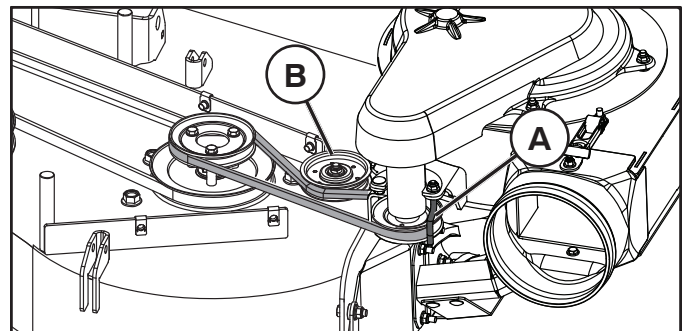
7. Drehen Sie den Verriegelungsstift wieder nach unten und achten Sie darauf, dass er durch die vordere Montagelasche des vorderen Schneidwerk-Auswurfsammlers passt.
8. Ziehen Sie den Federstift und drehen Sie die untere hintere Verriegelung, bis der Stift durch die Laubblasgeräthalterung und den Schneidwerkflansch passt.



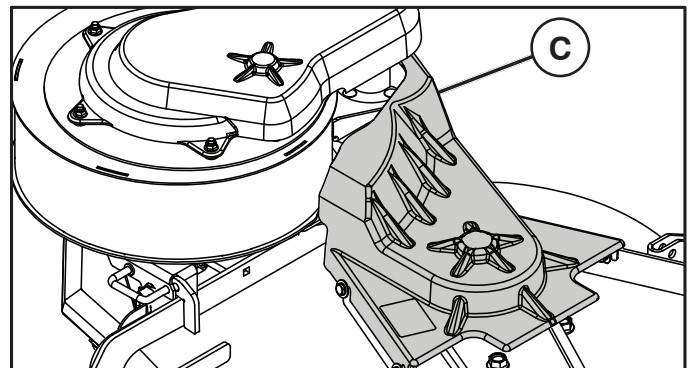
MONTIEREN DER TREIBRIEMEN

1. Montieren Sie den Antriebsriemen an der Riemenscheibe des Laubblasgeräts.
2. Drehen Sie die Riemenführung (A) innerhalb 1/8-Zoll der Riemenscheibe und ziehen Sie sie mit einem 1/2-Zoll-Schraubenschlüssel fest.
3. Drehen Sie das Leitrad (B) des Laubblasgeräts in Richtung der Vorderseite des Geräts und platzieren Sie den Riemen auf der Schneidwerk-Riemenscheibe. Siehe Abbildung für die korrekte Verlegung des Riemen.

HINWEIS: Es kann notwendig sein, die Verriegelungsstifte zu lösen und das Laubblasgerät zu drehen, um die Montage des Antriebsriemens zu erleichtern. Installieren Sie den Verriegelungsstift nach dem Einbau des Riemen.



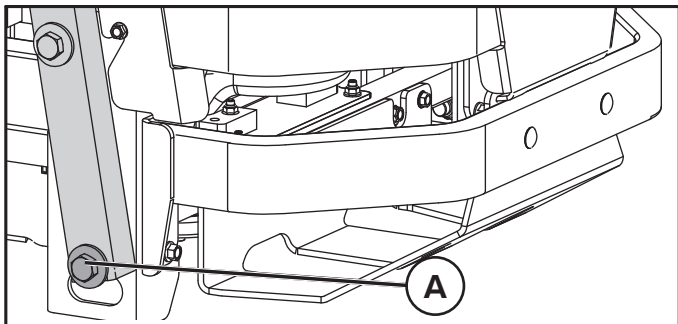
4. Platzieren Sie den Antriebsmontagesatz der Schneidwerk-Riemenabdeckung (C) über den Riemenscheiben und montieren Sie die Befestigungsteile des Schneidwerkschutzes erneut.



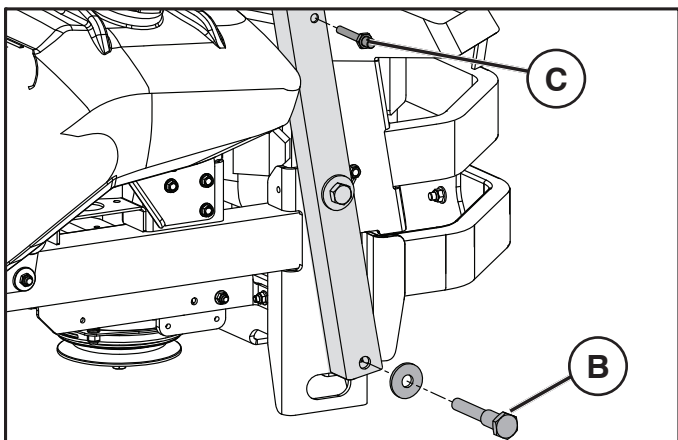
MONTAGE

ZUSAMMENBAU DES AUFSAMMLERS

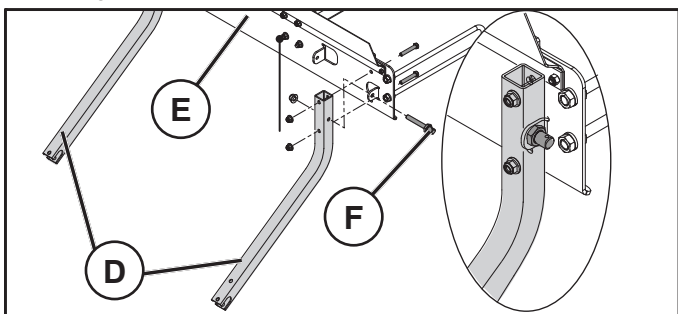
1. Verwenden Sie zwei 15/16-Zoll-Schraubenschlüssel, entfernen Sie auf jeder Seite die unteren ROPS-Schrauben (A) und behalten Sie die Unterlegscheibe und Mutter für den nächsten Schritt.



2. Montieren Sie einen Aufhängungsstift (B), eine Unterlegscheibe und eine Mutter auf jeder Seite, wo die ROPS-Schraube entfernt wurde. Ziehen Sie die Aufhängungsstifte und Muttern mit 15/16-Zoll- und 1-1/4-Zoll-Schraubenschlüsseln an.
3. Montieren Sie die Montagestifte (C) durch das ROPS-Rohr in den vorgebohrten Löchern etwa 18 Zoll oberhalb der Unterseite des ROPS-Rohrs. Der Stift wird von außen nach innen eingesetzt, so dass sich das Gewinde auf der Innenseite des Rohrs befindet. Sichern Sie jede Seite mit Muttern und ziehen Sie diese mit 3/4"- und 9/16"-Schraubenschlüsseln fest.



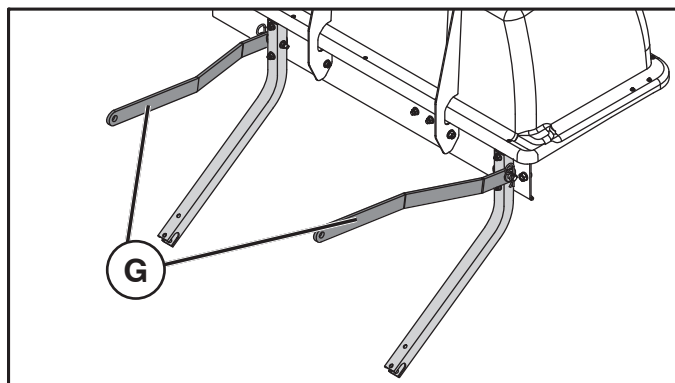
4. Befestigen Sie die Aufhängungsrohre (D) an der Baugruppe (E) mit 2-1/4-Zoll-Schrauben und Muttern, wie abgebildet. Ziehen Sie sie mit einem 9/16-Zoll- und einem 3/4-Zoll-Schraubenschlüssel an. Montieren Sie die Befestigungsstifte (F) durch die Aufhängungsrohre und die Baugruppe und sichern Sie sie mit Muttern.



5. Bringen Sie die Riemen (G) an den zuvor montierten Montagestiften an der Motorbaugruppe an.

HINWEIS: Der kurze Schenkel der Rieme lässt sich an der Kreuzendplatte und die Riemenwinkel innen anbringen.

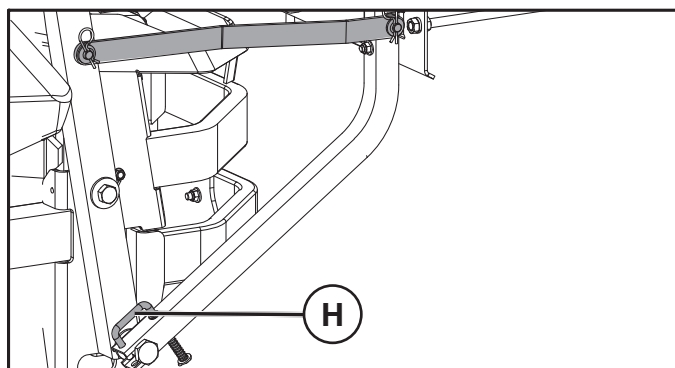
6. Befestigen Sie die Riemen mit Unterlegscheiben und Halterungen in den Montagestiften.



7. Platzieren Sie, mit der Baugruppe der Motorhaube und Aufhängung hinter dem Mäher, die weiter unten genuteten Teile der Aufhängungsrohre über den Aufhängungsstiften, die an der Unterseite des Überrollschutzes angebracht sind.

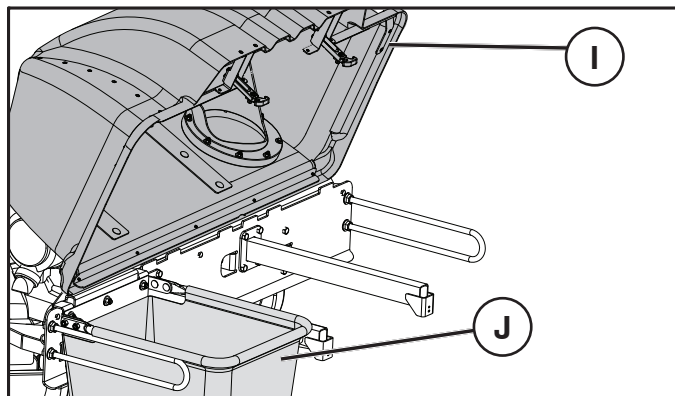
HINWEIS: Stellen Sie sicher, dass der Haltestift (H) über der Vorderseite der Aufhängungsstifte einhakt.

8. Heben Sie die Rückseite der Motorhaube an und befestigen Sie die freien Enden der Riemen an den oberen Montagestiften, die im Überrollschutz montiert sind. Befestigen Sie sie mit Unterlegscheiben und Halterungen.



9. Lösen Sie die Verriegelungen (I) der Motorhaube und heben Sie die Haube an, um sie zu öffnen. Wenn die Haube nicht offen bleibt, ziehen Sie die Haubenscharnierschrauben leicht an.

10. Montieren Sie die Aufsamlersäcke (J) und schließen und verriegeln Sie die Motorhaube.



11. Befestigen Sie den Schlauch zwischen der Haube und der Gebläsebaugruppe.

WARTUNG

Transport



ACHTUNG! Der Auffangbehälter des Sammel systems muss vollständig leer sein und alle drei Gegengewichte müssen beim Auffahren auf einen Anhänger montiert sein. Wenn der Mäher auf einen Anhänger verladen werden muss und sich noch Schmutz im Auffangbehälter befindet, muss der Mäher auf dem Anhänger gesichert werden, um ein Umkippen zu vermeiden.



ACHTUNG! Transportieren Sie den Mäher nicht, wenn die Gegengewichte am Halter angebracht sind. Entfernen Sie die Gegengewichte, nachdem sich der Mäher auf dem Anhänger befindet. Befestigen Sie die Gewichte am Anhänger extra.

- Die Maschine ist schwer und kann erhebliche Quetschungen verursachen. Gehen Sie besonders umsichtig vor, wenn die Maschine auf einen Anhänger oder ein Fahrzeug geladen oder von dort entladen wird.
- Transportieren Sie die Maschine nur mit einem dafür zugelassenen Anhänger. Aktivieren Sie die Handbremse, drehen Sie die Kraftstoffzuleitung ab und befestigen Sie die Maschine mit dafür zugelassenen Vorrichtungen wie z. B. Gurte, Ketten oder Bänder.
- Informieren Sie sich über diesbezügliche Vorschriften in der betreffenden Straßenverkehrsordnung, bevor Sie die Maschine auf der Straße transportieren.
- Laden Sie die Maschine mithilfe von Rampen mit geeigneter Länge und mit geringer Geschwindigkeit auf ein Fahrzeug oder einen Anhänger. Heben Sie die Maschine nicht an! Die Maschine darf nicht von Hand angehoben werden.
- Beim Be- und Entladen dieser Maschine darf der empfohlene maximale Neigungswinkel für den Betrieb von 100 nicht überschritten werden.

Schlauchpflege

1. Untersuchen Sie die Schläuche vor jedem Gebrauch. Wenn die Schläuche übermäßigen Verschleiß, Risse oder Löcher aufweisen, ersetzen Sie sie sofort.
2. Verlängern Sie die Lebensdauer des Schlauchs, indem Sie ihn in regelmäßigen Abständen drehen und die Enden tauschen. Siehe vorbeugenden Wartungsplan in diesem Handbuch.
3. Vermeiden Sie zur Verringerung des Verschleißes Verdrehungen und enge Wendungen in den Schläuchen.
4. Vermeiden Sie es, den unteren Schlauch entlang von Gebäudewänden oder anderen harten Untergründen zu ziehen.

Reinigung

Regular cleaning, washing, and lubricating will prolong the service of the machine.

HINWEIS: Gehen Sie beim Einsatz von Hochdruckreinigern vorsichtig vor, um Schäden an Aufklebern zu vermeiden. **DER WASSERDRUCK BEIM REINIGEN DARF MAXIMAL 70 BAR BETRAGEN**

Um optimale Ergebnisse zu erzielen, reinigen Sie das Rautenmaschennetz regelmäßig. Das Rautenmaschennetz des Aufsammlers befindet sich in der Auffangbehälterhaube.

1. Stellen Sie den Motor ab.
2. Lösen Sie die beiden Gummriegel unter der Rückseite der Haube. Öffnen Sie die Haube und bürsten Sie den Schmutz auf beiden Seiten ab.
3. Schließen Sie die Haube und verriegeln Sie sie wieder.

VERWENDEN SIE DAS SAMMELSYSTEM NICHT OHNE FEST MONTIERTES RAUTENNETZ.

Lagerung

Wenn der Grasfänger für eine gewisse Zeit gelagert werden soll, reinigen Sie die gründlich von Schmutz, Gras, Blättern usw. Decken Sie alle Kratzer mit Reparaturlack ab.

Lagern Sie das Gerät an einem sauberen, trockenen Ort. Eine Lagerung mit Abdeckung oder in Gebäuden wird empfohlen.

Wartungsplan

ARTIKEL	VOR JEDEM GEBRAUCH	ALLE 5 BETRIEBSSTUNDEN	ALLE 25 BETRIEBSSTUNDEN	ALLE 50 BETRIEBSSTUNDEN
Rautenmaschennetz prüfen/reinigen	X	X		
Schrauben und Muttern kontrollieren/anziehen	X			
Schläuche prüfen/festziehen	X			
Schlauchenden vertauschen			X	
Schlauch drehen				X
Maschine reinigen				X

Leitfaden zur Fehlerbehebung

Störung	Mögliche Ursache
Vakuumverlust	Schlauch- oder Haubeneinlass verstopft
	Behälter voll
	Rautenmaschennetz angeschlossen
Ungewöhnliche Vibrationen und Geräusche	Fester Gegenstand klemmt in der Einheit
	Lose oder fehlende Schrauben
Gerät schwer zu schließen	Hindernisse verhindern das vollständige Schließen der Tür
	Haubenscharnierschrauben zu fest angezogen

Nous vous FÉLICITONS pour votre achat d'un nouveau système de ramassage. Il a été conçu et fabriqué pour vous offrir la meilleure fiabilité et le meilleur rendement possible.

Si vous rencontrez des difficultés que vous ne parvenez pas à résoudre, veuillez contacter un centre de services agréé près de chez vous. Des techniciens qualifiés munis d'outils adaptés à la réparation et à l'entretien de ce modèle sauront vous assister.

Veuillez lire et conserver ce manuel. Ces instructions vous permettront de monter et d'entretenir correctement votre système de ramassage. Respectez toujours les RÈGLES DE SÉCURITÉ.



MISE EN GARDE! N'utilisez PAS la tondeuse lorsque le collecteur d'herbe est partiellement installé.

- Désengagez les lames et coupez le moteur avant de quitter le siège de la tondeuse pour vider les conteneurs, libérer la goulotte d'éjection, etc.
- Fermez le capot avant de démarrer.
- Désengagez les lames de la tondeuse avant de traverser des allées, des chemins de gravier ou d'autres zones où la projection d'objets pourrait représenter un danger.
- NE tentez PAS d'aspirer des boîtes de conserve ou d'autres projectiles potentiellement dangereux.



MISE EN GARDE! Avant de monter le collecteur d'herbe sur la tondeuse :

- Serrez le frein de stationnement.
- Placez les leviers de commande de la transmission en position NEUTRE.
- Tournez la clé de contact et retirez la clé.
- Veillez à ce que les lames et tous les éléments mobiles soient tout à fait immobiles.

APPRENEZ À CONNAÎTRE VOTRE SYSTÈME DE RAMASSAGE

LISEZ ATTENTIVEMENT CE MANUEL D'INSTRUCTIONS ET LES RÈGLES DE SÉCURITÉ AVANT DE MONTER OU D'UTILISER VOTRE SYSTÈME DE RAMASSAGE. Comparez les illustrations avec le contenu du carton pour vous familiariser avec les pièces avant de commencer le montage. Étudiez soigneusement les instructions d'utilisation et les précautions de sécurité afin de vous assurer du bon fonctionnement de votre collecteur d'herbe et de prévenir tout risque de blessures pour vous-même et autrui. Conservez ce manuel à fins de référence.



MISE EN GARDE! Ne laissez pas d'herbe dans les conteneurs de l'ensacheur. Videz les conteneurs après chaque utilisation et avant le remisage. Le non-respect de cette consigne peut entraîner une combustion spontanée susceptible de provoquer un incendie.



MISE EN GARDE! Les composants du collecteur d'herbe sont sujets à l'usure, aux dégâts et à la détérioration, ce qui risque d'exposer les parties mobiles ou de causer la projection d'objets. Vérifiez fréquemment ces composants et remplacez-les, si nécessaire, par des pièces détachées recommandées par le fabricant.



MISE EN GARDE! Lorsque vous utilisez la tondeuse, des corps étrangers peuvent être projetés dans les yeux et provoquer de graves blessures oculaires. Portez TOUJOURS des lunettes ou un masque de protection avant de démarrer votre tondeuse et pendant la tonte. Nous recommandons de porter des lunettes de protection normales ou une protection oculaire panoramique par-dessus des lunettes de vue.



AVERTISSEMENT ! CETTE MACHINE DE TONTE PEUT AMPUTER LES MAINS ET LES PIEDS ET PROJETER DES OBJETS. LE NON-RESPECT DES CONSIGNES DE SÉCURITÉ SUIVANTES PEUT ENTRAÎNER DES BLESSURES GRAVES, VOIRE MORTELLES.

Utilisation générale

- N'utilisez PAS la tondeuse avec le collecteur d'herbe, sans avoir installé les contrepoids à l'avant. Lisez, assimilez et suivez toutes les instructions contenues dans ce manuel et apposées sur la machine avant de commencer à travailler.
- Éliminez l'herbe, les feuilles et autres débris qui pourraient entrer en contact avec des pièces chaudes de l'échappement/du moteur et s'enflammer. Ne laissez pas de feuilles ou autres débris s'accumuler sous l'unité de coupe.
- Arrêtez le moteur avant d'enlever le collecteur d'herbe ou de déboucher la goulotte d'éjection.
- N'utilisez jamais la tondeuse sans le collecteur d'herbe ou la protection en place. Soyez conscient de l'orientation de la décharge de l'herbe coupée sur la tondeuse. Ne dirigez jamais cette décharge vers quelqu'un.
- Débarrassez la zone des objets (pierres, cailloux, jouets, câbles, etc.) susceptibles d'être aspirés puis projetés par les lames.
- N'autorisez que des adultes responsables connaissant bien les instructions à utiliser la machine.
- Le propriétaire et l'opérateur de cet équipement peuvent éviter des accidents. Ils sont responsables des accidents ou blessures susceptibles de leur arriver, d'arriver à des tiers, ainsi que des dommages aux biens matériels.
- Avant de commencer à tondre, vérifiez que personne ni aucun animal ne se trouve dans la zone de travail. Arrêtez la machine dès qu'une personne entre dans la zone de travail.
- Ne transportez jamais de passagers ni d'enfants même lorsque les lames sont arrêtées.
- Ne tondez pas en marche arrière sauf en cas de nécessité absolue. Regardez toujours vers le bas et en arrière avant et pendant la marche arrière.
- Ralentissez avant de tourner.
- Ne laissez jamais une machine sans surveillance lorsque le moteur tourne. Arrêtez toujours les lames, enclenchez le frein de stationnement, arrêtez le moteur et retirez la clé avant de quitter la machine.
- Arrêtez les lames si vous n'utilisez pas la tondeuse.
- Tondez uniquement à la lumière du jour ou sous un éclairage artificiel suffisant.
- N'utilisez pas la machine sous l'influence d'alcool ou de médicaments.
- Soyez sur vos gardes lorsque vous travaillez près d'une route ou si vous traversez la chaussée.
- Soyez particulièrement prudent quand vous chargez ou déchargez la machine sur une remorque ou un camion.
- Les statistiques indiquent que les utilisateurs âgés de 60 ans ou plus sont impliqués dans un grand nombre de blessures liées à l'utilisation d'une tondeuse. Ces utilisateurs doivent évaluer leur capacité à utiliser la tondeuse en toute sécurité pour pouvoir se protéger et protéger les autres contre des blessures très graves.
- Nettoyez l'huile ou le carburant répandu avant d'utiliser ou de remiser la machine.
- Laissez la machine refroidir avant de la remiser.

Utilisation dans des terrains en pente

La conduite en pente est l'une des opérations présentant le plus grand risque de perte de contrôle ou de retournement de la machine et pouvant causer des blessures graves, voire la mort. Redoublez de prudence sur tout terrain en pente. Si vous ne pouvez pas monter la pente en marche arrière ou si vous n'êtes pas à l'aise, ne tondez pas la pente.

À FAIRE

- Tondez dans le sens de la déclivité (10° max.), en montant ou en descendant, mais jamais transversalement.
- Enlevez les obstacles tels que les pierres, les branches d'arbres, etc.
- Faites attention aux trous, ornières ou bosses. La machine risque de se renverser sur un terrain irrégulier. L'herbe haute peut cacher des obstacles.
- Tondez à vitesse lente. Sélectionnez une vitesse lente afin de ne pas devoir vous arrêter dans les pentes.
- Redoublez de prudence avec les collecteurs d'herbe ou autres accessoires. Ils peuvent altérer la stabilité de la machine.
- Sur les pentes, déplacez-vous lentement et progressivement. Ne faites pas de changements brusques de vitesse ou de direction.
- Évitez de démarrer ou de vous arrêter sur un terrain en pente. Si les pneus commencent à patiner, désengagez les lames et descendez doucement la pente en ligne droite.

À NE PAS FAIRE

- N'effectuez pas de virages sur une pente, sauf si nécessaire, puis tournez lentement et progressivement vers le bas de la pente, si possible.
- Ne tondez pas à proximité de bas-côtés, de fossés ou de talus. La tondeuse pourrait se retourner soudainement si une roue se trouve sur le bord d'une falaise ou d'un fossé, ou si un bord s'effondre.
- Ne tondez pas l'herbe lorsqu'elle est mouillée. Une traction réduite peut entraîner des glissements.
- Ne tentez pas de stabiliser la machine en posant un pied au sol.

Entretien

- Les composants du collecteur d'herbe sont sujets à l'usure, aux dégâts et à la détérioration, ce qui risque d'exposer les parties mobiles ou de causer la projection d'objets. Vérifiez fréquemment ces composants et remplacez-les, si nécessaire, par des pièces détachées recommandées par le fabricant.
- Lorsque vous utilisez la tondeuse, des corps étrangers peuvent être projetés dans les yeux et provoquer de graves blessures oculaires. Portez toujours des lunettes ou un masque de protection pour les yeux pendant l'utilisation de la tondeuse ou pendant un réglage ou une réparation. Nous recommandons de porter un protecteur oculaire panoramique sur vos lunettes ou des lunettes de protection normales.
- Maintenez les boulons et les écrous, notamment ceux qui servent à la fixation des lames, serrés correctement. Conservez la machine en bon état.
- Ne modifiez jamais l'équipement de sécurité. Vérifiez régulièrement le bon fonctionnement de la machine.
- Veillez à ce que la machine reste exempte d'herbe, de feuilles ou d'autres formations de débris.
- Nettoyez tout déversement d'huile ou de carburant.
- Laissez la machine refroidir avant de la remiser.
- Arrêtez-vous et inspectez la machine si vous avez heurté un corps étranger. Si nécessaire, réparez-la avant de redémarrer.

- N'effectuez jamais de réglages ou de réparations avec le moteur allumé.
- Les lames de la tondeuse sont aiguisées et coupantes. Enveloppez les lames ou portez des gants et soyez extrêmement prudent lorsque vous procédez à l'entretien des lames. Vérifiez fréquemment le fonctionnement des freins. Effectuez les réglages et l'entretien selon les instructions du manuel de l'opérateur.

Conseils pour améliorer l'ensilage

- Suivez les instructions d'utilisation de la tondeuse que vous trouverez dans le manuel de l'opérateur.
- Lors de l'utilisation du collecteur d'herbe sur une pelouse où aucun équipement de ramassage d'herbe et de feuilles n'a été utilisé, le chaume et les débris qui se sont accumulés pendant de longues périodes sont ramassés. La quantité ramassée et le temps d'utilisation totale peuvent être supérieurs à ceux requis pour une utilisation régulière du collecteur d'herbe.
- Maintenez toujours l'accélération à plein régime pendant le ramassage.
- Choisissez une vitesse d'avancement assez basse pour obtenir un bon rendement et une bonne qualité de coupe, ainsi qu'un bon rendement de ramassage.
REMARQUE : Il peut être nécessaire de chevaucher les largeurs de coupe selon les conditions.
- Quand l'herbe est très haute, elle doit être coupée deux fois. Choisissez l'un des réglages les plus hauts pour la première coupe, puis effectuez la seconde coupe à la hauteur souhaitée.
- Utilisez le côté gauche de la tondeuse pour rogner.
- Évitez de tondre le gazon mouillé ou lorsqu'il y a beaucoup de rosée le matin. L'herbe coupée qui s'est amassée dans ces conditions a tendance à coller aux parois et à obstruer le collecteur d'herbe.
- Si le collecteur d'herbe cesse de ramasser l'herbe coupée ou les feuilles, cela indique que le système est obstrué ou que les bacs du collecteur d'herbe sont pleins.
 - a. Désengagez les lames et placez les leviers de commande de transmission en position neutre.
 - Déverrouillez et soulevez le capot.
 - Retirez les conteneurs en les faisant glisser et jetez l'herbe coupée.
 - Remettez en place les conteneurs, fermez le capot et verrouillez-le..
 - b. Déverrouillez les goulottes d'éjection et vérifiez qu'elles ne sont pas bouchées.
 - Retirez tous les débris des goulottes d'éjection.
 - Réinstallez et verrouillez les goulottes d'éjection.

Recommandations générales

Observez toujours les règles de sécurité lors des opérations d'entretien.

- Avant chaque utilisation, vérifiez que les attaches ne sont pas desserrées.
- Nettoyez complètement la machine après chaque utilisation.

Entretien des lames

- Pour de meilleurs résultats, les lames de la tondeuse doivent être toujours affûtées. Remplacez les lames tordues ou endommagées.
- Consultez les instructions contenues dans le manuel de l'opérateur de la tondeuse.

Remisage

Avant d'entreposer le collecteur d'herbe pour un certain temps, nettoyez-le soigneusement, retirez les traces de salissure et de graisse, les feuilles, etc. Rangez-le dans un lieu propre et sec.

Outils nécessaires

- Clé 15/16" (2)
- Clé 3/4" (1)
- Clé 1/2" (1)
- Clé dynamométrique (1)
- Foret avec embout 7/16"
- Douille 1/2"
- Clé à cliquet avec entraînement 3/8", extension 6"
- Clé 1-1/4" (1)
- Clé 9/16" (2)
- Clé 7/16" (1)
- Tournevis, standard (1)

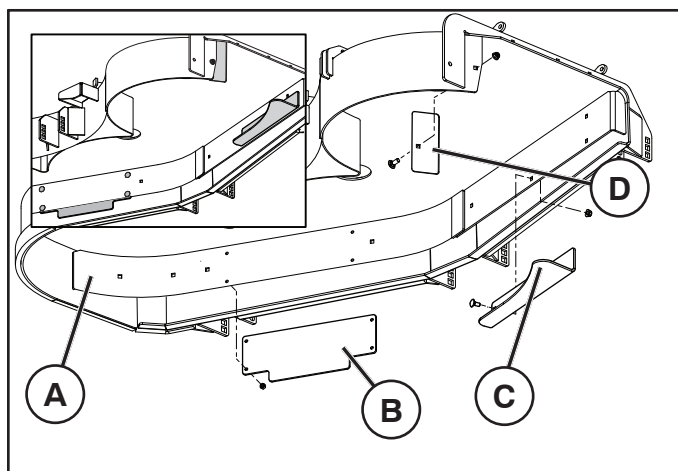
REMARQUE : Lorsque la droite (D) et la gauche (G) sont mentionnées dans ce manuel, on sous-entend que vous vous êtes assis sur la tondeuse à la place du conducteur.

MONTAGE

INSTALLATION DES DÉFLECTEURS D'ÉVACUATION

REMARQUE : Le système de collecte comprend un système de déflecteurs de l'unité en option conçu pour empêcher la rupture lors de la collecte dans des conditions de coupe extrêmement sèches. En cas de coupe dans des conditions extrêmement sèches, les déflecteurs ne sont pas toujours nécessaires.

1. Déposez le matériel du déflecteur central de l'unité de coupe.
2. Placez le déflecteur gauche du kit entre la collerette (A) et le bord avant de l'unité de coupe.
3. Fixez le déflecteur gauche (B) et le déflecteur central à la collerette à l'aide des quatre boulons et écrous de carrosserie 1" fournis dans le kit, au moyen d'une clé 7/16".
4. Avec une clé 1/2", installez le déflecteur droit (C) sur le côté de la lame de la collerette et fixez à l'aide de deux boulons et écrous de carrosserie 1/2" du kit.
5. Unité de coupe de 48" uniquement : fixez la plaque d'obturation (D) sur le côté gauche de l'ouverture de décharge à l'aide d'un boulon et d'un écrou 3/4".



INSTALLATION DES LAMES



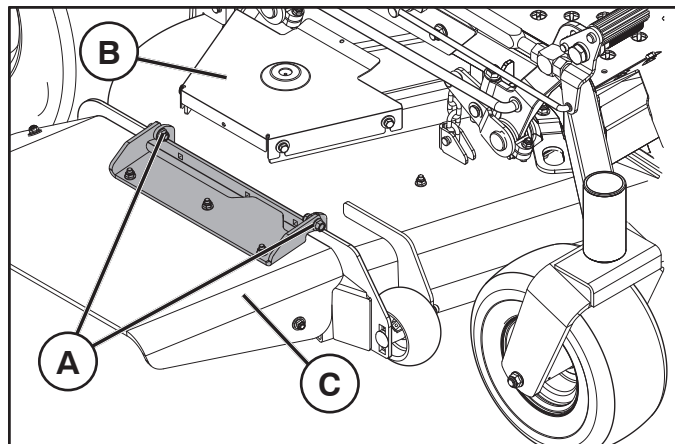
MISE EN GARDE ! Les lames sont affûtées. Portez des gants de protection et/ou enveloppez les lames d'un tissu épais pour la manipulation.

1. Déposez les lames de l'unité de coupe d'origine à l'aide d'une clé à douille et une d'une douille 15/16". Conservez les boulons des lames pour les réutiliser ultérieurement.
2. Installez les lames du kit à l'aide des boulons de lame existants (couple à 90 ft./lbs.).
3. Faites tourner les lames à la main et vérifiez le jeu de tous les déflecteurs.
4. Assurez-vous que tout le matériel est bien serré.

INSTALLATION DE LA POULIE D'ENTRAÎNEMENT

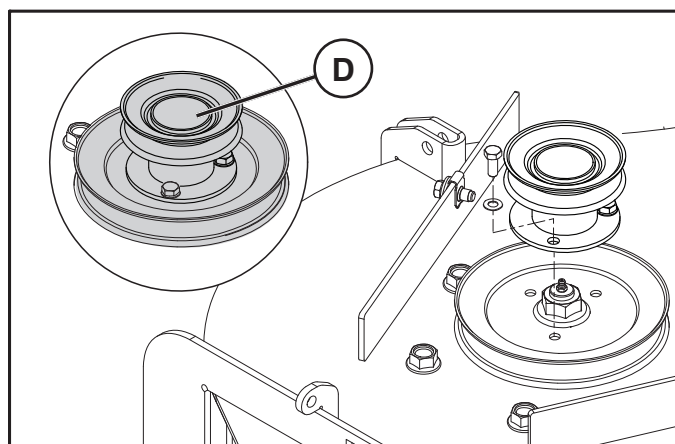
REMARQUE : Le kit d'entraînement n'est pas fourni avec le système de ramassage.

1. À l'aide de deux clés 9/16", retirez le matériel et la goulotte d'éjection de l'unité de coupe.
2. Abaissez l'unité de coupe sur la position de coupe la plus basse.
3. Avec une clé 1/2", déposez le matériel (A) du carter de courroie droit (B) (côté éjection) et retirez la protection (C) de l'unité de coupe.
4. Relâchez la tension de la courroie de l'unité de coupe et retirez-la de la poulie centrale de l'unité de coupe. (Consultez le manuel de l'opérateur si nécessaire)



Unité de coupe 48"

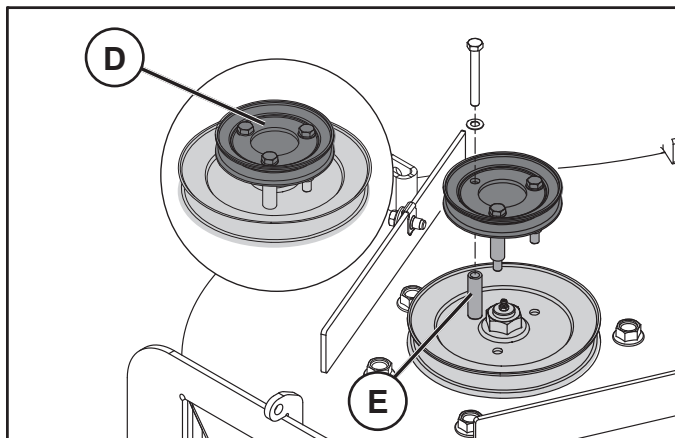
5. Déposez les boulons et les rondelles fixant la poulie droite de l'unité de coupe au palier à l'aide d'une clé 1/2". Ne déposez pas la poulie.
6. Installez la nouvelle poulie d'entraînement (D) sur la partie supérieure de la poulie de l'unité de coupe existante. Utilisez une clé 1/2" pour fixer les trois boulons et rondelles 5/8" sur la partie supérieure de la poulie.
7. Remplacez la courroie de plateau.



MONTAGE

Unité de coupe 54" et 60"

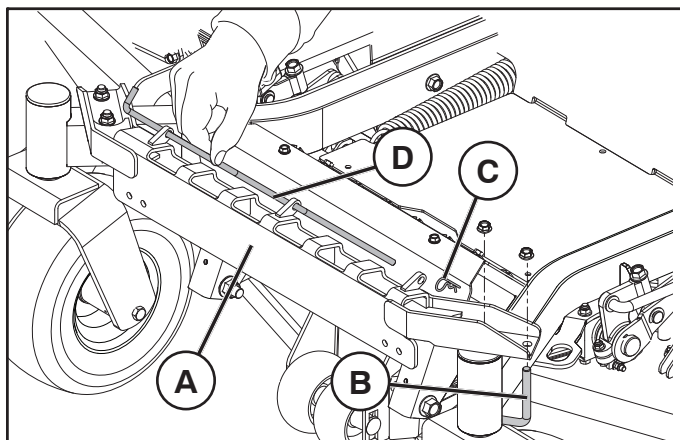
5. Déposez les boulons et les rondelles fixant la poulie droite de l'unité de coupe au palier à l'aide d'une clé 1/2". Ne déposez pas la poulie.
6. Installez la nouvelle poulie d'entraînement sur la partie supérieure de la poulie actuelle de l'unité de coupe, en plaçant les entretoises (E) entre. Utilisez une clé 1/2" pour fixer les trois boulons et rondelles 2-1/2" sur la partie supérieure de la poulie. Voir illustration.
7. Remplacez la courroie de plateau.



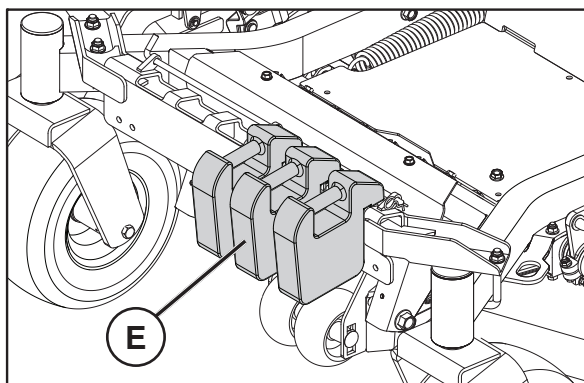
INSTALLATION DES CONTREPOIDS

REMARQUE : Le kit d'entraînement 48" comprend des plaques de poids et des éléments de montage qui ne sont pas nécessaires. Mettez-les au rebut et utilisez les contrepoids inclus avec le système de ramassage.

1. Installez l'ensemble du support de montage des contrepoids (A) au châssis avant entre les roulettes. Fixez les boulons en U (B) sous le châssis, jusqu'à travers les extrémités du support. Serrez les boulons en U avec les écrous fournis.
2. Déposez la fixation (C) de la tige du loquet (D) de l'ensemble et faites coulisser la tige hors du support.



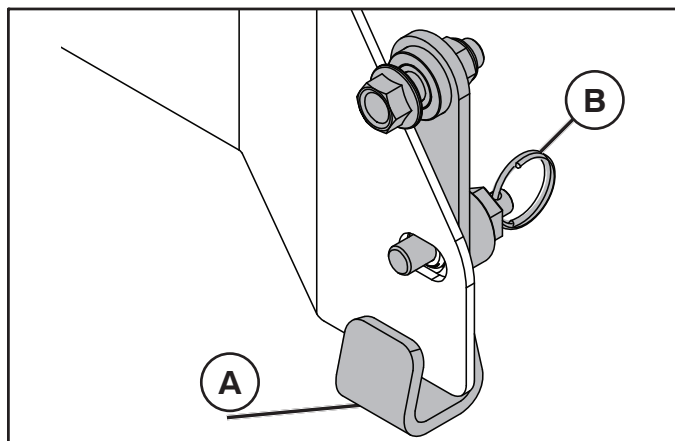
3. Réglez les trois contrepoids (E) dans le support de montage, en laissant les fentes du côté droit ouvertes.



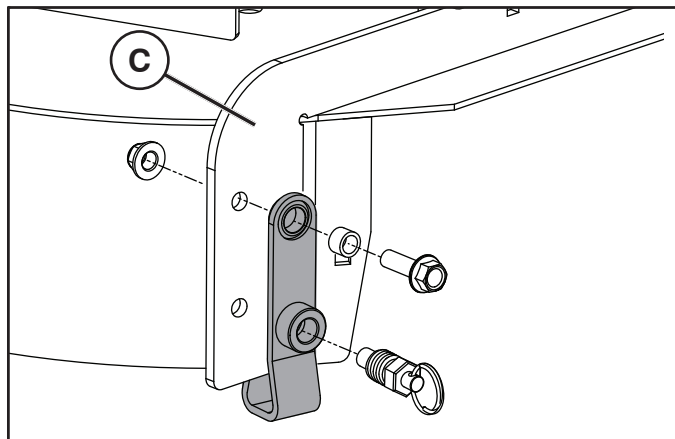
4. Réinstallez la tige du loquet et fixez-la avec la pièce de retenue.

MONTAGE DE L'ENSEMBLE DU SOUFFLEUR

1. Repérez l'ensemble loquet inférieur arrière (A) fixé sur le support de montage de l'ensemble du souffleur. Tirez la goupille (B) à ressort pour libérer l'ensemble du souffleur.



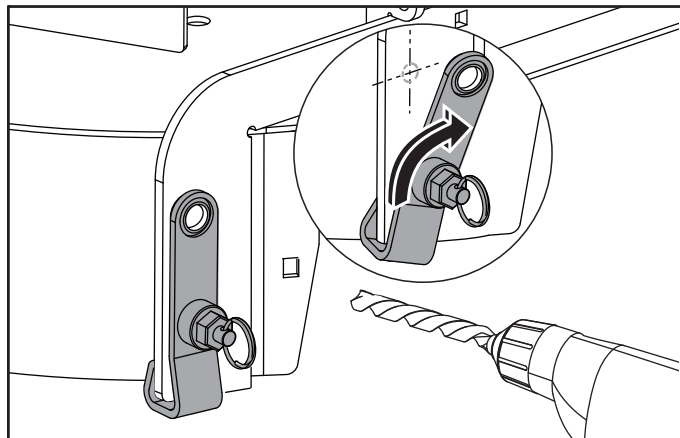
2. L'ensemble sera rattaché à la bride de la goulotte d'éjection de l'unité de coupe (C) à l'arrière de l'unité de coupe. Fixez le loquet à l'extérieur de la bride de l'unité en utilisant le trou supérieur. Fixez la goupille à ressort dans le trou inférieur.



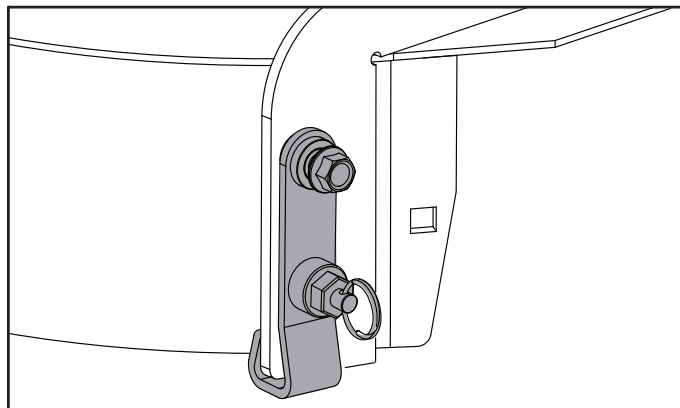
MONTAGE

REMARQUE : Sur les anciens modèles d'unité de coupe, il peut être nécessaire de percer l'orifice supérieur dans l'unité de coupe

- Fixez le loquet sur l'unité de coupe avec la goupille à ressort et réglez le loquet en position verticale sur la bride. Marquez l'emplacement du deuxième trou et faites pivoter le support pour libérer le passage. Percez un trou de 7/16" au niveau du repère.

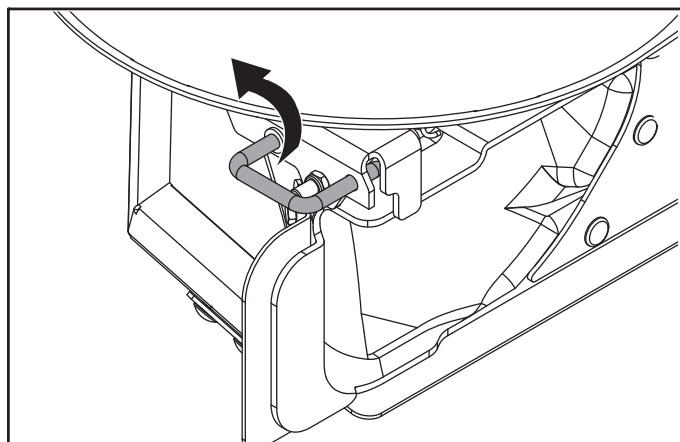


- Déplacez l'ensemble du loquet pour le mettre en place et fixez le loquet sur l'orifice supérieur avec le boulon, l'entretoise et l'écrou.



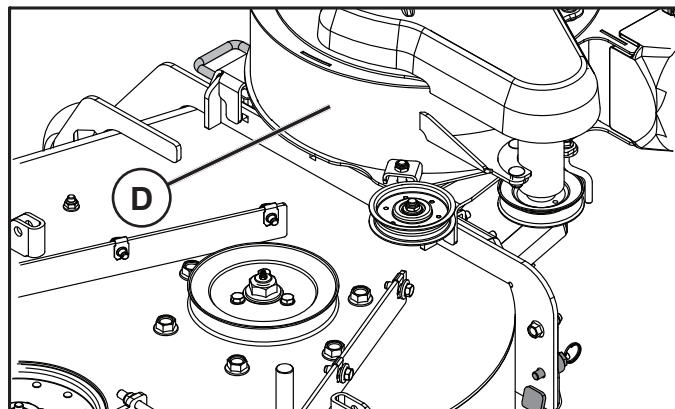
REMARQUE : L'ensemble du loquet peut rester sur l'unité lorsque le système de collecte avec souffleur n'est pas utilisé.

- Faites glisser les goupilles de fixation pour les faire sortir et faites tourner vers le haut, vers le carter supérieur.



- Faites fonctionner le souffleur (D) sur l'unité de coupe avec les encoches de fixation au-dessus des languettes de montage de la goulotte d'éjection.

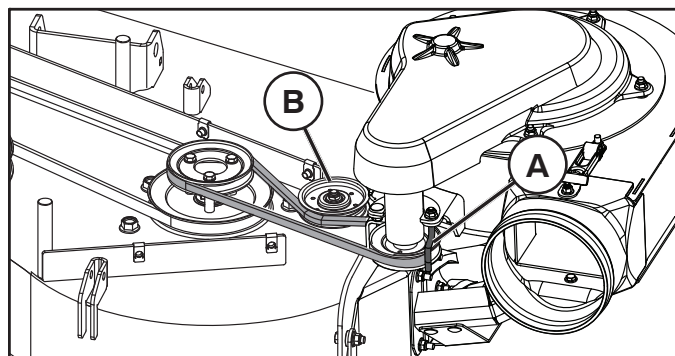
- Faites tourner la goupille de fixation de nouveau vers le bas, en vous assurant qu'elle passe à travers la patte de montage avant de la goulotte d'éjection de l'unité.
- Tirez la goupille à ressort et faites pivoter le loquet inférieur arrière jusqu'à ce que la goupille s'enclenche à travers le support de montage du souffleur et sur la bride de l'unité.



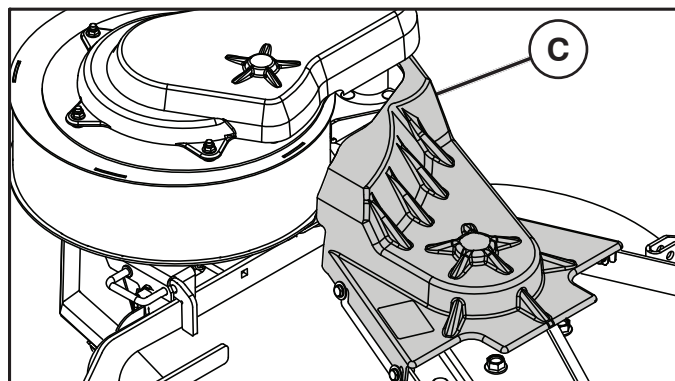
INSTALLATION DE LA COURROIE D'ENTRAÎNEMENT

- Installez la courroie d'entraînement autour de la poulie sur le souffleur.
- Faites pivoter le guide de courroie (A) à moins de 1/8" de la poulie du souffleur et serrez avec une clé 1/2".
- Faites pivoter le tendeur du souffleur (B) vers l'avant du souffleur et placez la courroie sur la poulie de l'unité de coupe. Consultez l'illustration pour le bon acheminement de la courroie.

REMARQUE : Il peut être nécessaire pour dégager les goupilles de fixation et de faire pivoter le souffleur pour faciliter l'installation de la courroie d'entraînement. Réinstallez les goupilles de fixation après l'installation de la courroie.



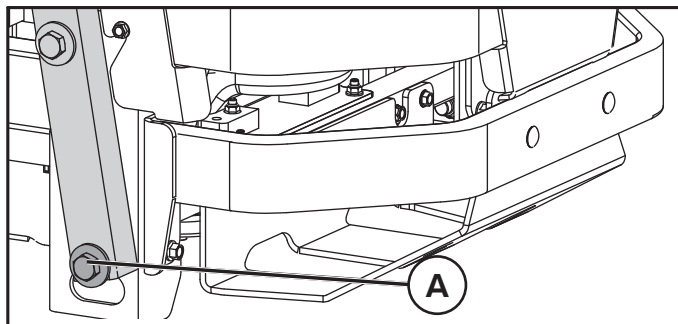
- Placez le carter de courroie de l'unité de coupe du kit entraînement (C) sur les poulies de l'unité de coupe et réinstallez le matériel de protection de l'unité de coupe.



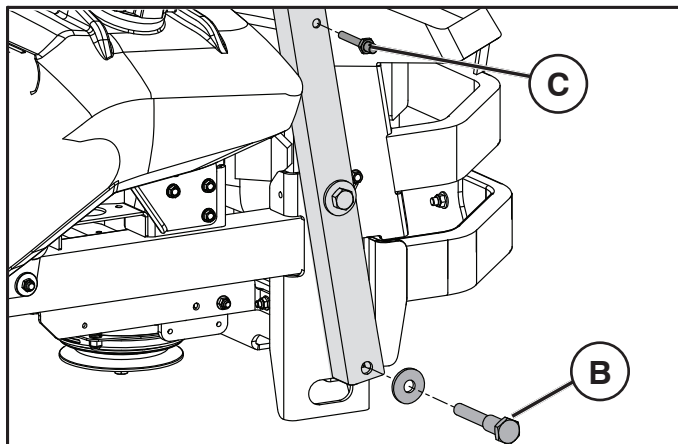
MONTAGE

INSTALLATION DU COLLECTEUR

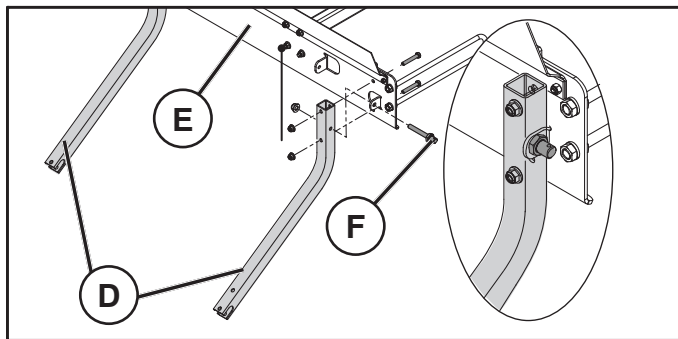
1. À l'aide de deux clés 15/16", retirez les boulons inférieurs (A) du ROPS (système de protection de retournement) de chaque côté, en gardant la rondelle et l'écrou pour l'étape suivante.



2. Installez une broche d'attelage (B), la rondelle et l'écrou de chaque côté où le boulon du ROPS a été retiré. Serrez les broches d'attelage et les écrous avec des clés 15/16" et 1-1/4".
3. Installez les goupilles de montage (C) à travers le tube du ROPS dans les trous percés à une hauteur d'environ 18" du bas du tube du ROPS. La goupille passe de l'extérieur vers l'intérieur, de sorte que les filets sont à l'intérieur du tube. Fixez chaque côté avec les écrous et serrez à l'aide de clés de 3/4" et 9/16".



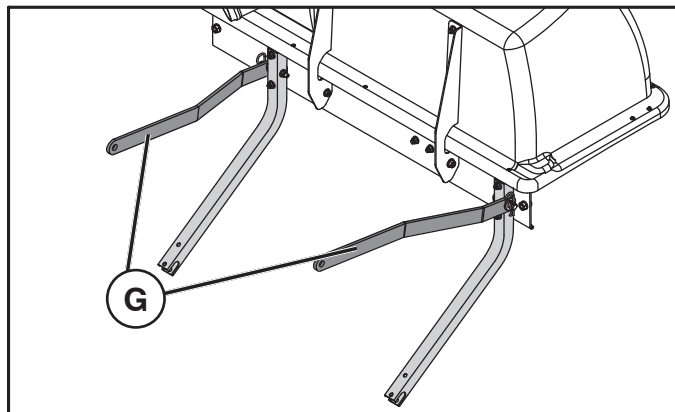
4. Fixez les tubes d'attelage (D) sur l'ensemble d'attelage (E) avec des boulons et des écrous 2-1/4" comme indiqué. Serrez à l'aide de clés 9/16" et 3/4". Installez les goupilles de montage (F) à travers les tubes d'attelage et l'ensemble d'attelage et fixez-les avec des écrous.



5. Fixez les sangles (G) sur les goupilles de montage précédemment installées sur l'ensemble du capot.

REMARQUE : la branche courte des sangles se fixe par l'extrémité de la partie transversale et l'angle des sangles est orienté vers l'intérieur.

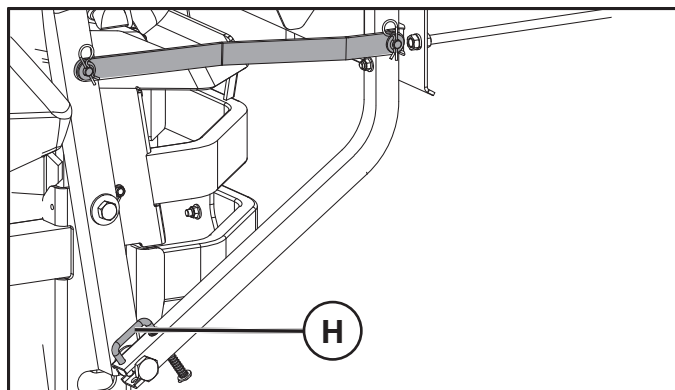
6. Fixez les sangles avec les rondelles et les supports des goupilles de montage.



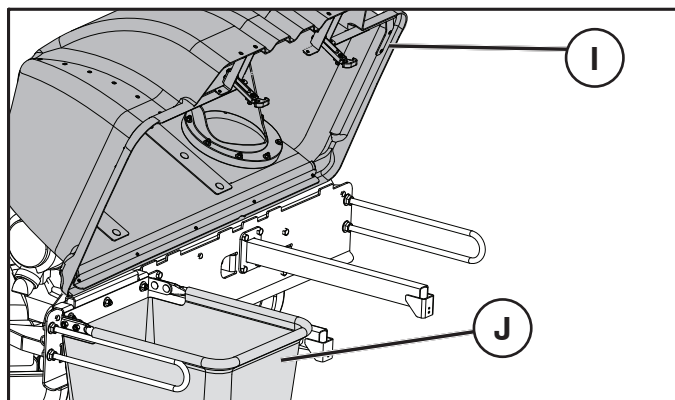
7. Positionnez l'ensemble de capot/d'attelage derrière la tondeuse, puis placez la partie inférieure à encoches des tubes d'attelage sur les broches d'attelage fixées sur la partie inférieure du ROPS.

REMARQUE : assurez-vous que la broche de retenue (H) est accrochée à l'avant des broches d'attelage.

8. Soulevez l'arrière du capot et fixez les extrémités libres des sangles sur les broches supérieures installées dans le ROPS. Fixez-les avec des rondelles et supports.



9. Déverrouillez les loquets du capot (I) et soulevez le capot pour l'ouvrir. Si le capot ne reste pas ouvert, serrez légèrement les boulons de charnière du capot.
10. Installez des sacs de ramassage (J), fermez et verrouillez le capot.



11. Fixez le tuyau entre l'ensemble du capot et l'ensemble du souffleur.

ENTRETIEN

Transport



MISE EN GARDE ! La trémie du système de ramassage doit être entièrement vide et les trois contrepoids doivent être installés sur une remorque pour une conduite en marche avant. Si la tondeuse doit être chargée sur une remorque alors qu'il y a encore des débris dans la trémie, la tondeuse doit être soutenue sur la remorque afin de ne pas basculer.



MISE EN GARDE ! Ne transportez pas la tondeuse avec les contrepoids fixés sur le support de montage. Déposez les contrepoids une fois la tondeuse installée dans la remorque. Fixez les contrepoids à la remorque séparément.

- La machine est lourde et peut causer des blessures graves par écrasement. Soyez extrêmement prudent quand vous la chargez ou la déchargez d'un véhicule ou d'une remorque.
- Utilisez une remorque approuvée pour le transport de la machine. Serrez le frein de stationnement, fermez l'alimentation en carburant et attachez la machine avec des dispositifs de fixation approuvés tels que des courroies, des chaînes ou des sangles.
- Renseignez-vous sur la réglementation de la circulation locale avant le transport sur route et respectez-la.
- Chargez l'unité sur un camion ou une remorque en la faisant monter à faible vitesse sur des rampes offrant la solidité adaptée. Ne la soulevez pas ! La machine n'est pas destinée à être soulevée à la main.
- Ne dépassez pas l'angle maximum de 10° pour charger et décharger cette machine.

Entretien des tuyaux

1. Inspectez les tuyaux avant chaque utilisation. Si les tuyaux présentent une usure excessive, des déchirures ou des perforations, remplacez-les immédiatement.
2. Pour prolonger la durée de vie des tuyaux, tournez-les. Reportez-vous au calendrier de maintenance préventive dans ce manuel.
3. Pour réduire l'usure des tuyaux, évitez les emmêlements et les torsions trop fortes.
4. Évitez de laisser traîner le tuyau inférieur sur les côtés des bâtiments ou tout autre revêtement dur.

Nettoyage

Des nettoyages, des lavages et des lubrifications réguliers prolongent l'utilisation de la machine.

REMARQUE : Soyez prudent avec les laveurs électriques afin de ne pas endommager les autocollants. NE DÉPASSEZ PAS UNE PRESSION D'EAU DE 1000 PSI LORS DU LAVAGE

Pour de meilleurs résultats, nettoyez régulièrement le polymesh. Le polymesh du collecteur est situé à l'intérieur du capot de la benne.

1. Coupez le moteur.
2. Dégagez les deux loquets en caoutchouc sous l'arrière du capot. Ouvrez le capot et brossez les débris qui se trouvent sur les deux côtés.
3. Fermez le capot et reverrouillez.

N'UTILISEZ PAS LE SYSTÈME DE COLLECTE SANS AVOIR LE POLYMESH BIEN EN PLACE.

Remisage

Avant d'entreposer le collecteur d'herbe pour un certain temps, nettoyez-le soigneusement, enlevez les traces de salissure et de graisse, les feuilles, etc. Retouchez toutes les égratignures avec de la peinture.

Remisez la machine dans un endroit propre et sec. Nous conseillons un entreposage couvert ou à l'intérieur.

Calendrier de maintenance

ARTICLE	AVANT CHAQUE UTILISATION	TOUTES LES 5 HEURES	TOUTES LES 25 HEURES	TOUTES LES 50 HEURES
Inspectez/nettoyer le polymesh	X	X		
Contrôlez/serrez les écrous et les boulons	X			
Vérifiez/serrez les tuyaux	X			
Tournez le tuyau autour de son axe central			X	
Faites tourner le tuyau				X
Nettoyez la machine				X

Guide de recherche de panne

Problème	Cause possible
Perte de vide	Tuyau ou admission du capot bouché
	Réservoir plein
	Polymesh bouché
Vibration ou bruit anormal	Objet solide coincé dans l'unité
	Boulons desserrés ou manquants
Unité difficile à fermer	Obstructions empêchant la fermeture complète de la trappe
	Boulons de charnière du capot trop serrés

ENHORABUENA por adquirir un sistema de recogida nuevo.

Se ha diseñado, desarrollado y fabricado para ofrecer lo máximo en términos de rendimiento y fiabilidad.

Si experimenta algún problema que no puede solucionar fácilmente, comuníquese con el departamento o centro de servicio autorizados más cercanos. En ellos encontrará técnicos competentes con la debida formación y las herramientas necesarias para realizar cualquier reparación o trabajo de mantenimiento.

Lea y conserve este manual. Las instrucciones le permitirán montar y mantener el sistema de recogida correctamente.

Respete siempre las **NORMAS DE SEGURIDAD**.



ATENCIÓN: NO utilice el cortacésped si el recogedor de césped no se ha instalado por completo.

- Desconecte las cuchillas y pare el motor antes de abandonar el asiento del cortacésped para vaciar los contenedores, desatascar los conductos, etc.
- Cierre la tapa antes de poner en marcha la unidad.
- Desacople las cuchillas de corte al atravesar caminos de acceso o superficies de grava y otras zonas donde los objetos que salen despedidos puedan suponer un peligro.
- No intente aplicar vacío en latas u otros proyectiles potencialmente peligrosos.



ATENCIÓN: Antes de montar el recogedor de césped en el cortacésped:

- Accione el freno de estacionamiento.
- Coloque las palancas de control de movimiento en la posición NEUTRA.
- Coloque la llave de contacto en la posición OFF y sáquela.
- Asegúrese de que las cuchillas y las piezas móviles están completamente paradas.

CONOZCA SU SISTEMA DE RECOGIDA

LEA ESTE MANUAL DE INSTRUCCIONES Y LAS NORMAS DE SEGURIDAD ANTES DE MONTAR O UTILIZAR EL SISTEMA DE RECOGIDA. Compare las ilustraciones con el contenido de la caja para familiarizarse con las piezas antes de comenzar con el montaje. Lea detenidamente las instrucciones de uso y las precauciones de seguridad para que el recogedor de césped funcione correctamente y evitar lesiones personales tanto a usted como a otras personas. Guarde este manual para futuras consultas.



ATENCIÓN: No deje la hierba en los contenedores del recogedor. Vacíe los contenedores después de cada uso y antes de almacenarlos. De lo contrario, podría producirse una combustión espontánea y desatarse un incendio.



ATENCIÓN: Los componentes del recogedor de césped se pueden desgastar, dañar o deteriorar, lo que podría dejar expuestas las piezas móviles o provocar que los objetos salgan despedidos. Revise con frecuencia los componentes y sustitúyalos, cuando sea necesario, por piezas recomendadas por el fabricante.



ATENCIÓN: Cualquier tipo de cortacésped, durante su uso, puede lanzar objetos que golpeen en los ojos y causen lesiones graves. Use SIEMPRE gafas de seguridad o protectores oculares antes de arrancar el cortacésped y mientras trabaje con él. Se recomienda el uso de unas de seguridad estándar o una máscara de seguridad de visión amplia sobre las gafas de vista.



ADVERTENCIA: ESTE CORTACÉSPED PUEDE AMPUTAR LAS MANOS Y LOS PIES, ADEMÁS DE LANZAR OBJETOS AL AIRE. SI NO SE SIGUEN ESTAS INSTRUCCIONES DE SEGURIDAD, PUEDEN PRODUCIRSE LESIONES GRAVES E INCLUSO LA MUERTE.

Funcionamiento general

- NO utilice el cortacésped con el recogedor de césped si no ha instalado los contrapesos delanteros. Lea detenidamente todas las instrucciones, tanto de la máquina como del manual, y sígalas antes de la puesta en marcha.
- Mantenga la máquina limpia de hierba, hojas y otras acumulaciones de desechos que puedan arder al entrar en contacto con piezas calientes del escape o del motor. No permita que el equipo de corte se abra paso entre hojas y otros desechos que puedan acumularse en la máquina.
- Detenga el motor antes de extraer el recogedor de césped o desatascar el conducto.
- No use el cortacésped a menos que el recogedor de césped o la protección se encuentren bien instalados. Preste atención a la dirección de descarga del cortacésped y no dirija el material hacia ninguna persona.
- Limpie la zona de objetos tales como piedras, juguetes, cables, etc., los cuales podrían quedar atrapados y salir despedidos por la acción de las cuchillas.
- Únicamente deje que utilicen la máquina adultos responsables que estén familiarizados con sus instrucciones de uso.
- El propietario y la persona que utilice este equipo pueden prevenir accidentes y son los responsables de cualquier accidente o lesión que sufran ellos mismos u otras personas, así como de los posibles daños materiales.
- Asegúrese de que no haya otras personas ni mascotas en la zona antes de cortar el césped. Pare la máquina si alguien entra en la zona.
- Nunca transporte pasajeros ni niños, ni siquiera con el sistema de corte apagado.
- No utilice el cortacésped marcha atrás a menos que sea absolutamente necesario. Mire siempre hacia abajo y hacia atrás antes y durante la marcha atrás.
- Aminoré la marcha antes de girar.
- No deje la máquina sin supervisión con el motor en marcha. Pare siempre las cuchillas, ponga el freno de estacionamiento, detenga el motor y quite la llave antes de dejar la máquina sin vigilancia.
- Apague las cuchillas cuando no esté segando.
- Corte el césped solo de día o con buena iluminación artificial.
- No utilice la máquina bajo los efectos del alcohol o las drogas.
- Permanezca atento al tráfico cuando utilice la máquina cerca de vías públicas o cuando vaya a cruzar alguna.
- Tenga especial cuidado al cargar y descargar la máquina en un remolque o camión.
- Las estadísticas señalan que los operadores de 60 años o más sufren el mayor porcentaje de lesiones relacionadas con el uso de máquinas cortacésped. Estos usuarios deben valorar su capacidad para utilizar el cortacésped de forma suficientemente segura para evitar daños a sí mismos y a terceros.
- Limpie el aceite o el combustible derramados antes de usar o guardar la máquina.
- Espere a que la máquina se enfríe antes de guardarla.

Funcionamiento en pendiente

Las pendientes son una de las principales causas de accidentes por pérdida de control y vuelco, los cuales pueden provocar lesiones graves e incluso la muerte. Es necesario adoptar precauciones adicionales al trabajar en pendientes. Si no puede dar marcha atrás en la pendiente o si no se siente seguro en ella, no utilice la máquina.

CORRECTO

- Suba y baje la pendiente (10° máx.) en lugar de trabajar en sentido transversal.
- Retire los obstáculos como piedras, ramas de árboles, etc.
- Tenga cuidado con los baches, los surcos o las irregularidades del terreno. Un terreno irregular puede provocar el volcado de la máquina. La hierba crecida puede esconder obstáculos.
- Utilice una velocidad lenta. Seleccione una velocidad baja para no tener que parar en la pendiente.
- Tenga mucho cuidado cuando utilice recogedores de césped u otros accesorios. Pueden afectar a la estabilidad de la máquina.
- En las pendientes, realice todos los movimientos de manera lenta y gradual. No realice cambios súbitos de velocidad ni dirección.
- Evite arrancar o parar en las pendientes. Si los neumáticos pierden tracción, desacople las cuchillas y baje la pendiente despacio y en línea recta.

INCORRECTO

- No realice giros en pendientes salvo que sea necesario y, en caso de tener que realizarlos, hágalos lenta y gradualmente cuesta abajo, si es posible.
- No utilice la máquina cerca de desniveles, zanjas o terraplenes. El cortacésped podría volcar repentinamente al quedar alguna de sus ruedas fuera del borde o si este se hunde.
- No corte hierba mojada. La reducción de la tracción podría hacer que la máquina patine.
- No intente estabilizar la máquina poniendo un pie en el suelo.

Servicio técnico

- Los componentes del recogedor de césped se pueden desgastar, dañar o deteriorar, lo que podría dejar expuestas las piezas móviles o provocar que los objetos salgan despedidos. Revise con frecuencia los componentes y sustitúyalos, cuando sea necesario, por piezas recomendadas por el fabricante.
- Cualquier tipo de cortacésped, durante su uso, puede despedir objetos que podrían golpear en los ojos y causar lesiones graves. Utilice siempre gafas de seguridad o protección para los ojos cuando use el cortacésped o realice tareas de ajuste o reparación. Se recomienda el uso de una máscara de seguridad de visión amplia sobre unas gafas de vista o unas gafas de seguridad estándar.
- Mantenga las tuercas y los pernos bien apretados, especialmente los pernos de sujeción de la cuchilla; mantenga el equipo en buen estado.
- No modifique nunca los dispositivos de seguridad. Compruebe con frecuencia que el funcionamiento sea correcto.
- Mantenga la máquina limpia de césped, hojas y otros residuos.
- Limpie los derrames de aceite o combustible.
- Deje que la máquina se enfríe antes de guardarla.
- Deténgase e inspeccione el equipo si choca contra algún objeto. Repare la máquina, si fuera necesario, antes de volver a ponerla en marcha.

- Nunca realice ajustes o reparaciones con el motor en marcha.
- Las cuchillas de corte están afiladas y pueden provocar cortes. Envuelva las cuchillas o utilice guantes y extreme la precaución al realizar cualquier trabajo de mantenimiento.
- Compruebe frecuentemente el funcionamiento de los frenos. Realice los ajustes y las reparaciones como se indica en el manual del usuario.

Sugerencias para mejorar el embolsado

- Siga las instrucciones de uso del cortacésped que encontrará en el manual de usuario.
- Si se utiliza el recogedor de césped en un lugar donde no se ha usado nunca un equipo de embolsado de hojas y césped, se recogerá también la paja y los residuos que se hayan acumulado hasta el momento. La cantidad recogida y el tiempo total de funcionamiento podrían ser superiores en comparación con el uso normal del recogedor de césped.
- Durante el embolsado, acelere al máximo.
- La velocidad de avance debe ser lo suficientemente baja para obtener un rendimiento de corte adecuado del cortacésped, un corte de buena calidad y un embolsado óptimo.
NOTA: Puede que sea necesario solapar la anchura de corte para adaptarse a las condiciones.
- Si el césped está extremadamente alto, se debe cortar dos veces. El primer corte debe realizarse con uno de los ajustes más altos; el segundo, en cambio, debe realizarse a la altura deseada.
- Utilice el lado izquierdo del cortacésped para el recorte.
- No corte hierba mojada ni a primera hora del día, cuando el rocío todavía es excesivo. Los recortes de césped recogidos en estas condiciones tienden a ser pegajosos y se adhieren a las paredes de los conductos, lo que provoca su obstrucción.
- Si el recogedor de césped no recoge la hierba cortada ni las hojas, significa que el sistema se ha obstruido o que los contenedores del recogedor de césped están llenos.
 - a. Desacople las cuchillas y coloque las palancas de control de movimiento en posición neutra.
 - Desenganche y levante la tapa.
 - Saque los contenedores y deseche los restos de césped cortado.
 - Vuelva a colocar los contenedores, cierre la tapa y bloquéela.
 - b. Desenganche los conductos y compruebe si están obstruidos.
 - Elimine los restos de los conductos.
 - Vuelva a montar y enganchar los conductos.

Recomendaciones generales

Al realizar cualquier trabajo de mantenimiento, tenga en cuenta siempre las normas de seguridad.

- Antes de cada uso, compruebe si hay sujeciones sueltas.
- Limpie bien la unidad después de cada uso.

Cuidado de la cuchilla

- Para obtener los mejores resultados, las cuchillas de corte deben mantenerse afiladas. Cambie las cuchillas si están dobladas o dañadas.
- Consulte las instrucciones en el manual de usuario del cortacésped.

Almacenamiento

Cuando vaya a almacenar el recogedor de césped durante un tiempo, límpielo a fondo y elimine todos los restos de suciedad, hierba, hojas, etc. Almacénelo en un lugar limpio y seco.

Herramientas necesarias

- Llave de 15/16" (2)
- Llave de 3/4" (1)
- Llave de 1/2" (1)
- Llave dinamométrica (1)
- Taladro con broca de 7/16"
- Vaso de 1/2"
- Llave de carraca con adaptador de 3/8", extensión de 6"
- Llave de 1-1/4" (1)
- Llave de 9/16" (2)
- Llave de 7/16" (1)
- Destornillador, estándar (1)

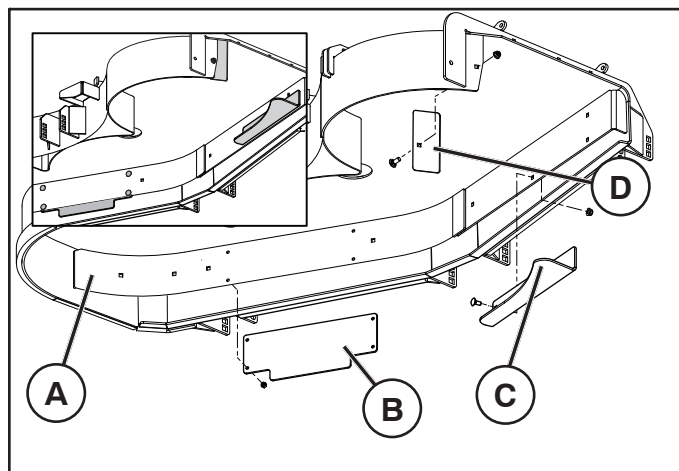
NOTA: Al mencionar "derecha" e "izquierda" en este manual, nos referimos a las posiciones vistas desde el asiento del cortacésped.

MONTAJE

INSTALACIÓN DE LOS DEFLECTORES ANTIEXPLOSIONES

NOTA: El sistema de recogida incluye unos deflectores opcionales para el equipo diseñados para evitar explosiones al usarlo en condiciones extremadamente secas. Si las condiciones de corte no son extremadamente secas, los deflectores no son necesarios.

1. Retire la tornillería del deflector central del equipo.
2. Coloque el deflector izquierdo del kit entre el faldón del equipo (A) y el borde delantero del equipo.
3. Fije el deflector izquierdo (B) y el deflector central al faldón del equipo con cuatro tornillos de 2,54 cm (1") y las tuercas suministradas en el kit; para ello, utilice una llave de 7/16".
4. Con una llave de 1/2", instale el deflector derecho (C) en el lado de la cuchilla del faldón del equipo y fíjelo con dos tornillos de 1,27 cm (1/2") y las tuercas del kit.
5. Equipo de 122 cm (48") solo: fije la placa de bloqueo (D) en el lado izquierdo de la compuerta de descarga del equipo utilizando un perno de 1,90 cm (3/4") y una tuerca.



INSTALACIÓN DE LAS CUCHILLAS



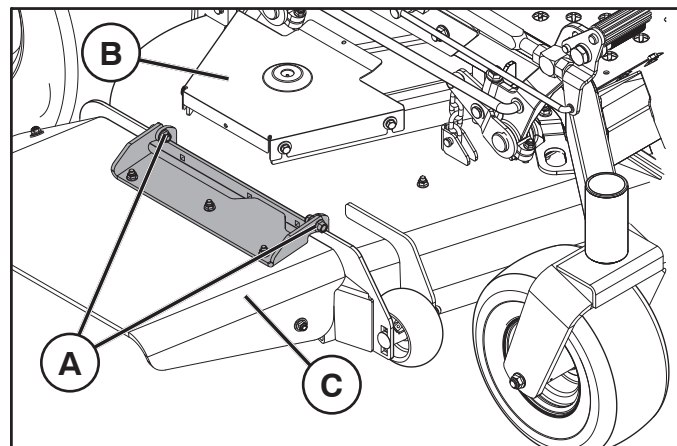
ATENCIÓN: Las cuchillas están afiladas. Protéjase las manos con guantes o envuelva las cuchillas con trapos gruesos cuando las manipule.

1. Desmonte las cuchillas originales del equipo utilizando una llave de gran torsión y un vaso de 15/16". Guarde los tornillos de las cuchillas para volver a utilizarlos.
2. Instale las cuchillas del kit utilizando los tornillos originales de las cuchillas (par de apriete de 122 Nm [90 ft/lbs]).
3. Gire las cuchillas a mano y compruebe la holgura de todos los deflectores.
4. Compruebe que todos los tornillos están bien apretados.

INSTALACIÓN DE LA POLEA MOTRIZ

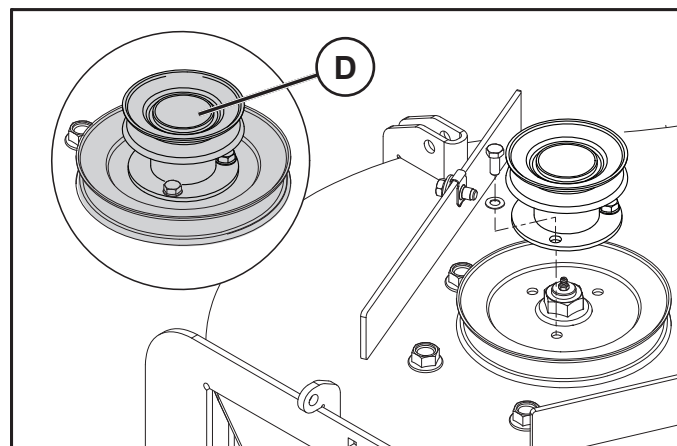
NOTA: El kit de transmisión no se incluye con el sistema de recogida.

1. Utilizando dos llaves de 9/16", retire los tornillos y el conducto de expulsión del equipo.
2. Baje el equipo a la posición de corte más baja.
3. Con una llave de 1/2", quite los tornillos (A) de la cubierta de la correa del lado derecho (lado de expulsión) (B) y desmonte la protección (C) del equipo.
4. Libere la tensión de la correa del equipo y desmóntela de la polea central del equipo.
(Consulte el manual del usuario si es necesario).



Equipo de 122 cm (48")

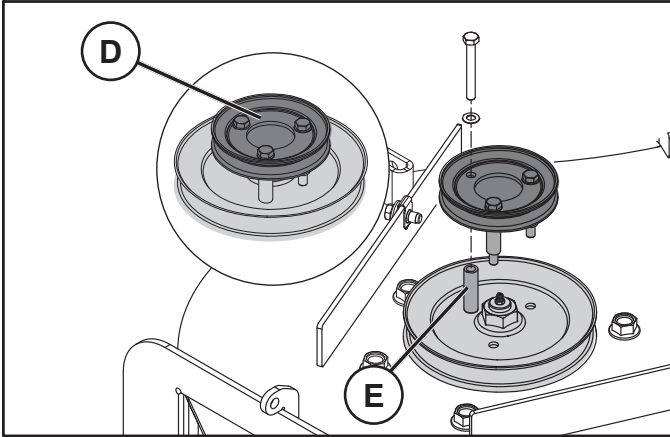
5. Quite los pernos y las arandelas que sujetan la polea derecha del equipo al eje utilizando una llave de 1/2". No desmonte la polea.
6. Instale la nueva polea motriz (D) en la parte superior de la polea actual del equipo. Utilice una llave de 1/2" para fijar los tres pernos de 1,58 cm (5/8") y las arandelas de resorte en la parte superior de la polea.
7. Vuelva a instalar la correa del equipo



MONTAJE

Equipos de 137 cm (54") y 152 cm (60")

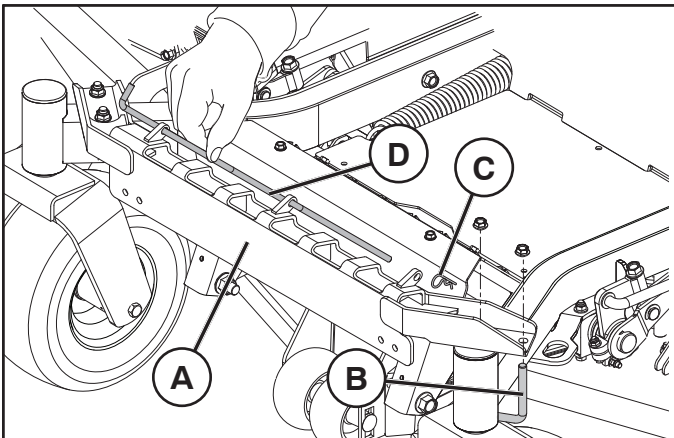
5. Quite los pernos y las arandelas que sujetan la polea derecha del equipo al eje utilizando una llave de 1/2". No desmonte la polea.
6. Instale la nueva polea motriz en la parte superior de la polea actual del equipo, colocando separadores (E) entre ellas. Utilice una llave de 1/2" para fijar los tres pernos de 2-1/2" y las arandelas de resorte en la parte superior de la polea. Consulte la imagen.
7. Vuelva a instalar la correa del equipo



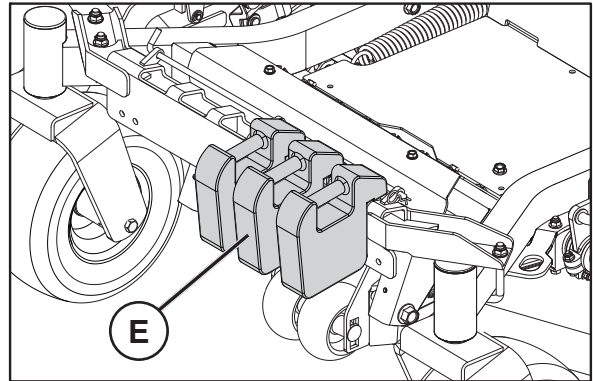
INSTALACIÓN DE LOS CONTRAPESOS

NOTA: El kit de transmisión de 122 cm (48") incluye placas de contrapeso y tornillería de montaje que no son necesarias. Deséchelas y utilice los contrapesos incluidos con el sistema de recogida.

1. Instale el conjunto del soporte de montaje del contrapeso (A) en el bastidor delantero, entre las ruedecillas. Fije los pernos en U (B) debajo del bastidor y hacia arriba a través de los extremos del soporte. Apriete los pernos en U con las tuercas suministradas.
2. Quite el retén (C) de la varilla de cierre del conjunto (D) y saque la varilla del soporte.



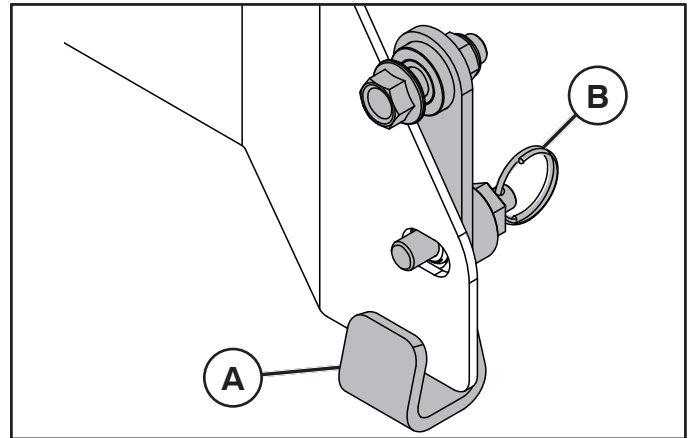
3. Coloque los tres contrapesos (E) en el soporte de montaje, dejando las ranuras del lado derecho abiertas.



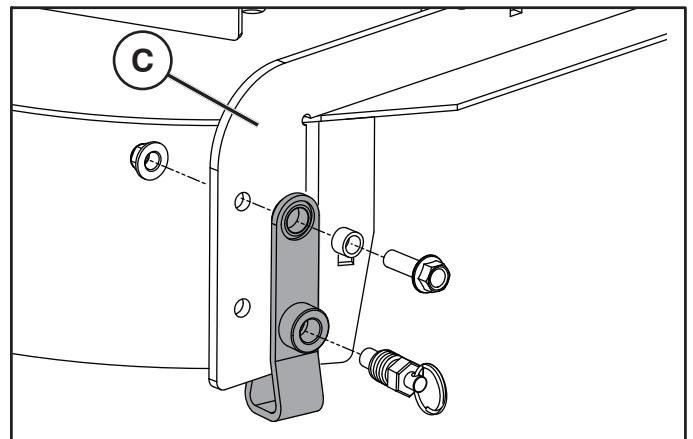
4. Vuelva a instalar la varilla de cierre y fijela con el retén.

MONTAJE DEL CONJUNTO DEL SOPLADOR

1. Localice el conjunto del cierre trasero inferior (A) fijado al soporte de montaje del conjunto del soplador. Tire del pasador elástico (B) para soltar el conjunto del soplador.



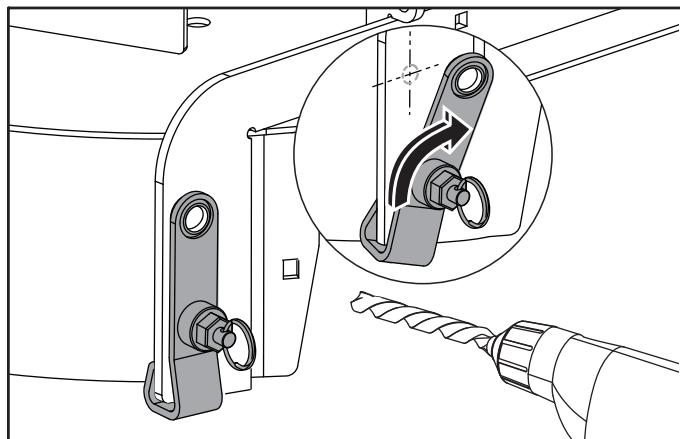
2. El conjunto se acoplará de nuevo a la brida del conducto de expulsión del equipo (C) situada en la parte trasera del equipo. Fije el pestillo en la parte exterior de la brida del equipo con el orificio superior. Asegure el pasador elástico en el orificio inferior.



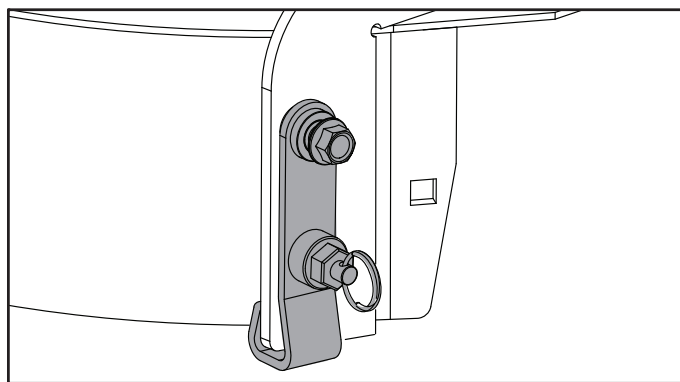
MONTAJE

NOTA: Es posible que sea necesario taladrar el orificio superior en modelos de equipos antiguos.

3. Asegure el pestillo al equipo con el pasador elástico y ajuste el pestillo verticalmente en la brida. Marque la ubicación del segundo orificio y gire el soporte hacia fuera. Taladre un orificio de 7/16 pulg. en la marca.

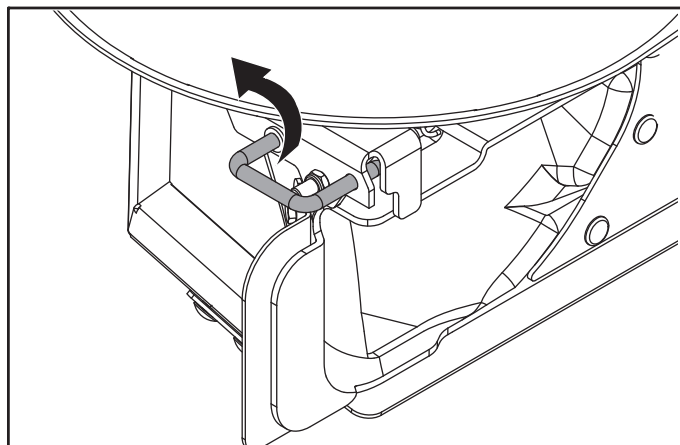


4. Sitúe el conjunto del pestillo en su posición y fije el pestillo en el orificio superior con el perno, el separador y la tuerca.



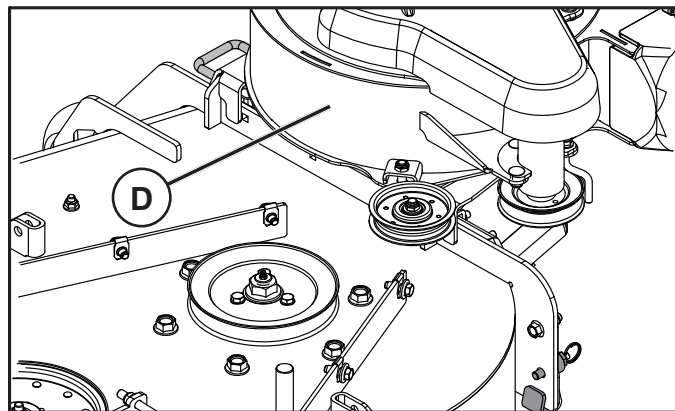
NOTA: El conjunto del pestillo puede dejarse en el equipo cuando no se utilice el sistema de recogida con soplador.

5. Deslice los pasadores del pestillo hacia fuera y gírelos hacia arriba, hacia la carcasa superior.



6. Coloque el soplador (D) en el equipo; las ranuras de montaje deben situarse en las lengüetas de montaje del conducto de expulsión.

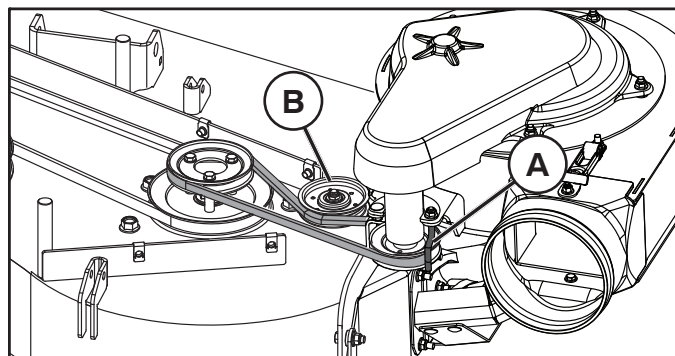
7. Vuelva a girar el pasador del pestillo hacia abajo y asegúrese de que sobrepasa la lengüeta de montaje del conducto de expulsión delantero del equipo.
8. Tire del pasador elástico y gire el pestillo trasero inferior hasta que el pasador encaje en el soporte de montaje del soplador y en la brida del equipo.



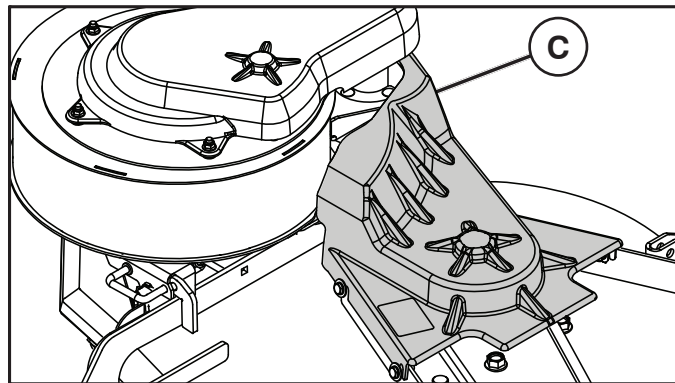
INSTALACIÓN DE LA CORREA DE TRANSMISIÓN

1. Instale la correa de transmisión alrededor de la polea del soplador.
2. Gire el retén de la correa (A) para situarlo a 3,1 mm (1/8") de la polea del soplador y apriételo con una llave de 1/2".
3. Gire la polea intermedia del soplador (B) hacia la parte delantera del soplador y coloque la correa sobre la polea del equipo. Observe en la ilustración la colocación correcta de la correa.

NOTA: Puede que sea necesario soltar los pasadores del pestillo y girar el soplador para facilitar la instalación de la correa de transmisión. Vuelva a instalar los pasadores del pestillo una vez que haya instalado la correa.



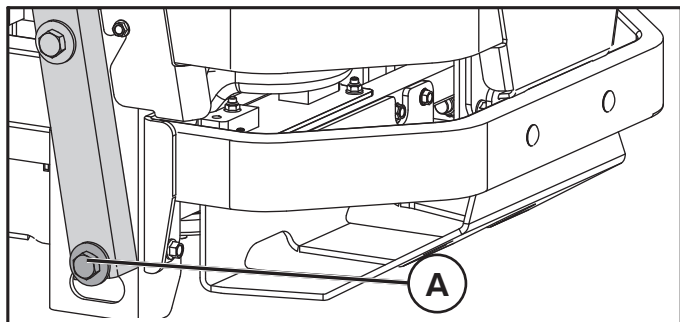
4. Coloque la cubierta de la correa del equipo del kit de transmisión (C) sobre las poleas del equipo y vuelva a instalar la tornillería de la protección del equipo.



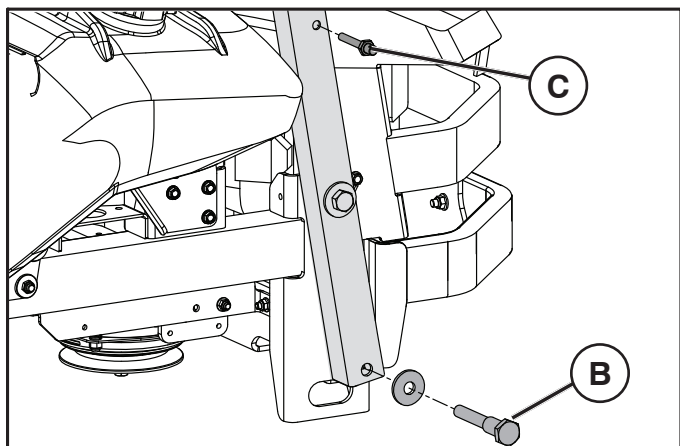
MONTAJE

INSTALACIÓN DEL RECOGEDOR

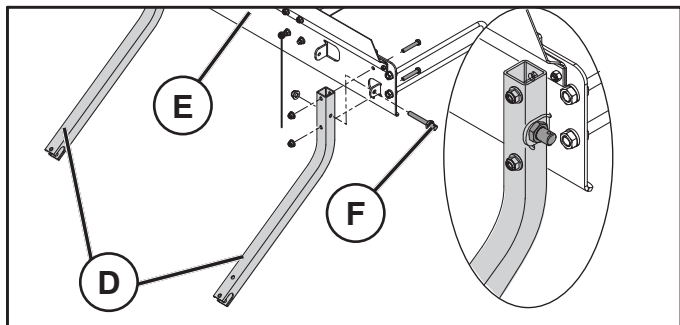
1. Con dos llaves de 15/16", retire los pernos inferiores del sistema ROPS (A) de ambos lados y guarde la arandela y la tuerca para el paso siguiente.



2. Instale un pasador de enganche (B), la arandela y la tuerca en los lados donde retiró los pernos del sistema ROPS. Apriete los pasadores de enganche y las tuercas con llaves de 15/16" y de 1-1/4".
3. Inserte los pasadores de montaje (C) en el tubo del sistema ROPS, en los orificios previamente abiertos, aproximadamente a 45,72 cm (18") de la parte inferior del tubo del sistema ROPS. El pasador pasará del exterior al interior, por lo que las roscas quedarán dentro del tubo. Asegure cada lado con las tuercas y apriete con unas llaves de 3/4 pulg. y 9/16 pulg.



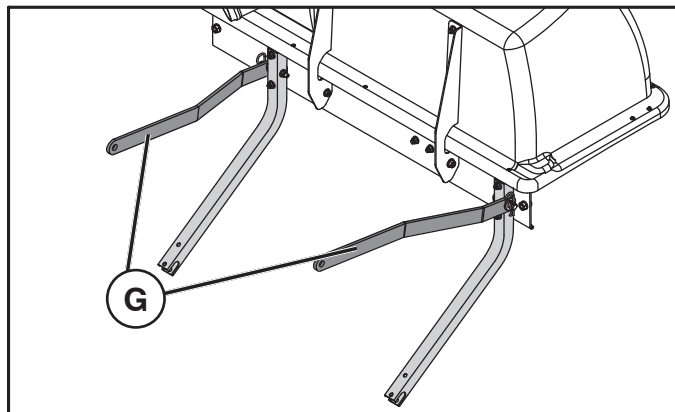
4. Acople los tubos de enganche (D) al conjunto del enganche (E) utilizando pernos de 2-1/4" y tuercas, tal como se muestra. Apriételes utilizando llaves de 9/16" y 3/4". Instale los pasadores de montaje (F) a través de los tubos de enganche y del conjunto del enganche, y fíjelos con tuercas.



5. Fije los flejes (G) en los pasadores de montaje instalados previamente en el conjunto de la cubierta.

NOTA: el tramo corto de los flejes se engancha en el extremo de la placa transversal con los flejes en ángulo hacia el interior.

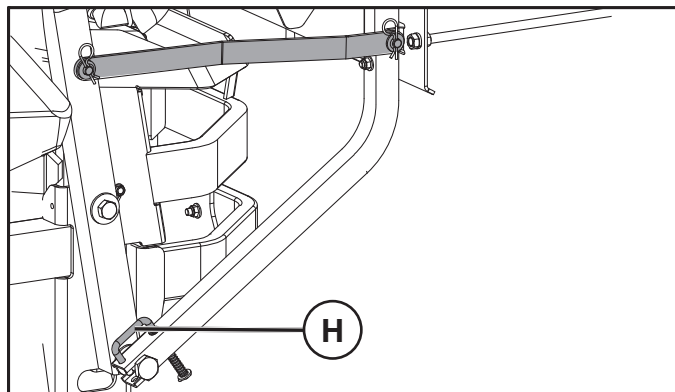
6. Fije los flejes con arandelas y retenes en los pasadores de montaje.



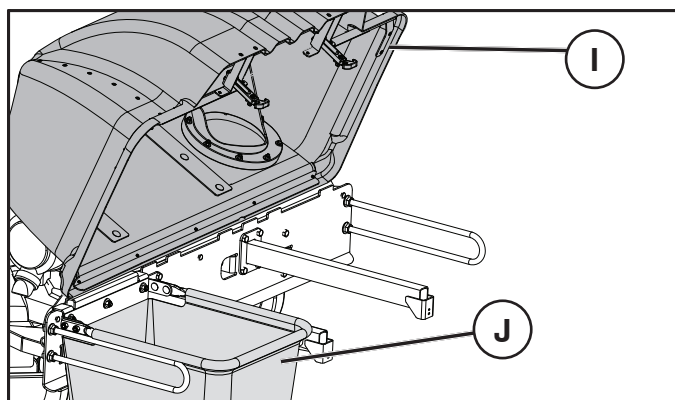
7. Con el conjunto de cubierta/enganche detrás del cortacésped, coloque la parte ranurada inferior de los tubos de enganche sobre los pasadores de enganche instalados en la parte inferior del sistema ROPS.

NOTA: Asegúrese de enganchar el pasador de retención (H) en la parte frontal de los pasadores de enganche.

8. Levante la parte trasera de la cubierta y fije los extremos libres de los flejes a los pasadores superiores instalados en el sistema ROPS. Asegúrelos con arandelas y retenes.



9. Suelte los cierres de la cubierta (I) y ábrala. Si la cubierta no se queda abierta, apriete ligeramente los pernos de la bisagra de la cubierta.
10. Instale las bolsas del recogedor (J) y cierre y bloquee la cubierta.



11. Conecte la manguera entre el conjunto de la cubierta y el conjunto del soplador.

MANTENIMIENTO

Transporte



ATENCIÓN: La tolva del sistema de recogida debe estar completamente vacía y los tres contrapesos deben estar instalados al conducir el cortacésped para subirlo a un remolque. Si el cortacésped se debe cargar en un remolque cuando todavía hay residuos en la tolva, el cortacésped deberá subirse marcha atrás al remolque para evitar vuelcos.



ATENCIÓN: No transporte el cortacésped con los contrapesos instalados en el soporte de montaje. Retire los contrapesos una vez que el cortacésped esté subido en el remolque. Fije los contrapesos en el remolque por separado.

- La máquina es muy pesada y puede provocar lesiones graves por aplastamiento. Extreme la precaución cuando la cargue o descargue de un vehículo o remolque.
- Utilice únicamente remolques homologados para transportar la máquina. Ponga el freno de estacionamiento, apague el suministro de combustible y sujete la máquina con dispositivos de sujeción homologados, como cintas, cadenas o correas.
- Consulte y cumpla las normas locales de tráfico cuando transporte la máquina por cualquier vía.
- Cargue la unidad en un camión o remolque utilizando rampas lo suficientemente resistentes y a baja velocidad. ¡No levante la máquina! Esta máquina no está diseñada para ser elevada manualmente.
- Al cargar o descargar la máquina, no sobrepase el ángulo de trabajo máximo recomendado de 10°.

Cuidado de la manguera

1. Inspeccione las mangueras antes de cada uso. Si las mangueras están muy desgastadas, pinchadas o presentan desgarros, cámbielas de inmediato.
2. Para prolongar la vida útil de la manguera, rótelas periódicamente y cambie la manguera de un extremo a otro. Consulte el programa de mantenimiento preventivo de este manual.
3. Para reducir el desgaste, no tuerza ni doble en exceso las mangueras.
4. No arrastre la manguera inferior junto a edificios ni por otras superficies duras.

Limpeza

La limpieza, el lavado y el engrase periódico aumentan la vida útil de la máquina.

NOTA: Tenga cuidado al lavar a presión, ya que puede dañar las etiquetas. **NO UTILICE UNA PRESIÓN DEL AGUA SUPERIOR A 1000 PSI CUANDO REALICE LA LIMPIEZA**

Para obtener los mejores resultados, limpie la malla de manera periódica. La malla del sistema de recogida se encuentra dentro de la cubierta de la tolva.

1. Pare el motor.
2. Suelte los dos pestillos de goma situados debajo de la parte trasera de la cubierta. Abra la cubierta y limpie con un cepillo la suciedad de ambos lados.
3. Cierre la cubierta y bloquéela de nuevo.

NO UTILICE EL SISTEMA DE RECOGIDA SI LA MALLA NO ESTÁ BIEN COLOCADA EN SU POSICIÓN.

Almacenamiento

Cuando vaya a almacenar el recogedor de césped durante un tiempo, límpielo bien y elimine todos los restos de suciedad, hierba, hojas, etc. Retoque con pintura todos los arañazos.

Guarde la unidad en un lugar seco y limpio. Se recomienda guardar la unidad en un lugar protegido o en un recinto cerrado.

Programa de mantenimiento

ELEMENTO	ANTES DE CADA USO	CADA 5 HORAS	CADA 25 HORAS	CADA 50 HORAS
Inspeccione y limpie la malla	X	X		
Compruebe y apriete las tuercas y los pernos	X			
Compruebe y apriete las mangueras	X			
Cambie el sentido de la manguera, es decir un extremo por el otro			X	
Rote la manguera				X
Limpie máquina				X

Guía para la resolución de problemas

Problema	Causa posible
Pérdida de vacío	Manguera o entrada de la cubierta atascadas
	Contenedor lleno
	Malla obstruida
Vibración o ruido anormales	Objeto sólido atascado en la unidad
	Faltan pernos o están flojos
Es difícil cerrar la unidad	Hay obstáculos que impiden cerrar bien la compuerta
	Los pernos de la bisagra de la cubierta están demasiado apretados

CONGRATULAZIONI per l'acquisto di un nuovo sistema di raccolta. Il prodotto è stato ideato, progettato e realizzato per garantire la massima affidabilità e le migliori prestazioni.

In caso di problemi non facilmente risolvibili, contattare il più vicino centro di assistenza/reparto specializzato autorizzato. Tecnici competenti e appositamente formati si occuperanno di tutti gli interventi di manutenzione e riparazione utilizzando gli strumenti adatti.

Leggere e conservare il presente manuale. Le istruzioni consentiranno di eseguire correttamente il montaggio e la manutenzione del sistema di raccolta. Rispettare sempre le **NORME DI SICUREZZA**.



ATTENZIONE! NON utilizzare un rasaerba con raccogliherba parzialmente installato.

- Disinnestare le lame e spegnere il motore prima di alzarsi dal sedile del rasaerba per svuotare i contenitori, pulire gli scivoli, ecc.
- Chiudere il coperchio prima di avviare la macchina.
- Disinnestare le lame del rasaerba quando si attraversano vialetti, superfici in ghiaia o altre aree in cui il lancio di oggetti può rappresentare un pericolo.
- **NON** tentare di aspirare lattine o altri oggetti potenzialmente pericolosi se lanciati.



ATTENZIONE! Prima di montare il raccogliherba sul rasaerba:

- Azionare il freno di stazionamento.
- Portare le leve di comando del movimento in posizione FOLLE.
- Girare la chiave di accensione in posizione OFF ed estrarla.
- Accertarsi che le lame e tutte le parti mobili si siano fermate completamente.

CONOSCENZA DEL SISTEMA DI RACCOLTA

LEGGERE IL PRESENTE MANUALE DELL'OPERATORE E LE NORME DI SICUREZZA PRIMA DI MONTARE O UTILIZZARE IL SISTEMA DI RACCOLTA. Confrontare le figure con il contenuto della confezione per acquisire familiarità con i componenti prima di iniziare il montaggio. Studiare accuratamente le istruzioni di funzionamento e le norme di sicurezza per garantire il corretto funzionamento del raccogliherba ed evitare lesioni a se stessi e agli altri. Conservare il presente manuale per eventuali riferimenti futuri.



ATTENZIONE! Non lasciare l'erba all'interno dei contenitori del raccogliherba. Svuotare i contenitori dopo ogni utilizzo e prima del rimessaggio. Il mancato rispetto di questa precauzione può causare una combustione spontanea in grado di innescare un incendio.



ATTENZIONE! I componenti del raccogliherba sono soggetti a usura, danni e deterioramento, con conseguente rischio di esposizione delle parti in mobili o il lancio incontrollato di oggetti. Controllare frequentemente i componenti e sostituirli all'occorrenza con i ricambi raccomandati dal produttore.



ATTENZIONE! Gli oggetti estranei lanciati dal rasaerba durante il funzionamento possono colpire gli occhi causando gravi lesioni. Indossare SEMPRE occhiali di sicurezza o protezioni per gli occhi prima di avviare il rasaerba e durante il taglio. Si consiglia di utilizzare occhiali di sicurezza standard o una maschera di protezione sopra gli occhiali da vista.



AVVERTENZA! QUESTA MACCHINA PUÒ AMPUTARE MANI E PIEDI E SCAGLIARE OGGETTI VOLANTI. IL MANCATO RISPETTO DELLE SEGUENTI NORME DI SICUREZZA PUÒ PROVOCARE GRAVI LESIONI PERSONALI O MORTE.

Uso generico

- NON azionare il rasaerba con il raccoglierba se non sono stati montati i pesi anteriori. Prima di avviare la macchina, leggere, comprendere e seguire tutte le istruzioni riportate nel manuale e sulla macchina stessa.
- Tenere pulita la macchina da erba, foglie e altri detriti che possono entrare in contatto con lo scarico e i componenti caldi del motore provocando un incendio. Non lasciare che il piatto del rasaerba trascini foglie o altri detriti formando accumuli.
- Arrestare il motore prima di rimuovere il raccoglierba o pulire lo scivolo.
- Non utilizzare il rasaerba se non è presente il raccoglierba completo o l'apposita protezione. Prestare attenzione alla direzione dello scarico del rasaerba e non orientarlo verso altre persone.
- Rimuovere dall'area di lavoro oggetti come pietre, sassi, giocattoli, fili, ecc. che potrebbero essere raccolti e scagliati dalle lame.
- La macchina deve essere utilizzata esclusivamente da adulti responsabili che abbiano dimestichezza con le istruzioni.
- Il proprietario e l'operatore di questa apparecchiatura possono evitare gli incidenti e sono responsabili di eventuali incidenti o lesioni, in cui incorrano essi stessi o terzi, e/o danni materiali.
- Accertarsi che non vi sia nessuna persona o animale domestico nelle vicinanze della macchina prima di iniziare l'attività di taglio. Fermare la macchina se entra qualcuno nell'area di lavoro.
- Non trasportare passeggeri o i bambini, nemmeno con le lame spente.
- Non tagliare in retromarcia a meno che non sia assolutamente necessario. Durante le manovre in retromarcia, controllare sempre l'area sottostante e circostante la macchina.
- Rallentare prima di svoltare.
- Non lasciare mai incustodita una macchina con il motore acceso. Fermare sempre le lame, applicare il freno di stazionamento, spegnere il motore e rimuovere le chiavi prima di lasciare la macchina.
- Spegnere le lame quando non si taglia.
- Utilizzare il rasaerba solo di giorno o con una buona illuminazione artificiale.
- Non utilizzare la macchina sotto l'effetto di farmaci o alcolici.
- Prestare attenzione agli utenti della strada quando si procede accanto a una strada o la si attraversa.
- Prestare la massima attenzione quando si carica o scarica la macchina su un rimorchio o un autocarro.
- Le statistiche indicano che gli operatori di età superiore a 60 anni sono coinvolti in misura maggiore in incidenti durante il taglio. Questi operatori devono valutare le proprie capacità di utilizzare il rasaerba in modo sufficientemente sicuro per proteggere se stessi e gli altri da gravi lesioni.
- Pulire le eventuali fuoriuscite di olio o carburante prima di azionare la macchina o riporla in magazzino.
- Lasciare raffreddare la macchina prima del rimessaggio.

Utilizzo sui pendii

L'utilizzo sui pendii rappresenta una delle operazioni a maggior rischio di perdita di controllo e ribaltamento della macchina; entrambi i casi possono provocare lesioni gravi o addirittura mortali. Tutti i pendii richiedono estrema cautela. Se non si è in grado di affrontare la salita in retromarcia o ci si sente insicuri, evitare di tosare il prato in pendenza.

COSA FARE

- Non affrontare pendenze superiori a 10° e in ogni caso non procedere mai trasversalmente.
- Rimuovere ostacoli, quali pietre, rami di alberi, ecc.
- Prestare attenzione a buche, radici o rilievi. Se il terreno è irregolare, la macchina può ribaltarsi. L'erba alta può nascondere eventuali ostacoli.
- Procedere a velocità ridotta. Procedere a velocità moderata in modo da non doversi fermare sui pendii.
- Prestare la massima attenzione quando si utilizzano i raccoglierba o altri accessori in grado di modificare la stabilità della macchina.
- Procedere sempre a velocità uniforme e moderata sui pendii. Non effettuare bruschi cambiamenti di velocità o di direzione di marcia.
- Non avviare o arrestare la macchina su un pendio. Se gli pneumatici perdono trazione, disinserire le lame e discendere lentamente il pendio seguendo un percorso rettilineo.

COSA NON FARE

- Non svoltare sulle pendenze se non strettamente necessario, quindi, svoltare lentamente e gradualmente in discesa, se possibile.
- Non tagliare in prossimità di banchine, fossi o argini. Il rasaerba potrebbe ribaltarsi improvvisamente se una ruota si trova sul bordo di un dirupo o di un fosso, o se cede una banchina.
- Non tagliare erba bagnata. Una trazione ridotta può causare lo slittamento.
- Non cercare di stabilizzare la macchina appoggiando un piede a terra.

Assistenza

- I componenti del raccoglierba sono soggetti a usura, danni e deterioramento, con conseguente rischio di esposizione delle parti in mobili o il lancio incontrollato di oggetti. Controllare frequentemente i componenti e sostituirli all'occorrenza con i ricambi raccomandati dal produttore.
- Gli oggetti estranei lanciati dal rasaerba durante il funzionamento possono colpire gli occhi causando gravi lesioni. Indossare sempre occhiali di sicurezza o protezioni per gli occhi quando si utilizza il rasaerba o si eseguono regolazioni o riparazioni. Si consiglia di utilizzare occhiali di sicurezza standard o una maschera di protezione sopra gli occhiali da vista.
- Mantenere serrati i dadi e i bulloni, in particolare i bulloni di fissaggio della lama, e mantenere in buone condizioni l'attrezzatura.
- Non manomettere mai i dispositivi di sicurezza. Controllare regolarmente il corretto funzionamento.
- Tenere sempre la macchina libera dall'accumulo di erba, foglie o altri residui.
- Pulire i versamenti di olio o carburante.
- Far raffreddare la macchina prima di riporla.
- Arrestare e ispezionare l'attrezzatura se si collide con un oggetto. Effettuare le eventuali riparazioni necessarie prima di riavviarla.

- Non effettuare mai regolazioni o riparazioni con il motore acceso.
- Le lame del rasaerba sono affilate e possono tagliare. Avvolgere le lame o indossare guanti protettivi; adoperare la massima cautela quando vengono maneggiate.
- Verificare regolarmente il funzionamento del freno. Eseguire le regolazioni e gli interventi di manutenzione come mostrato nel manuale dell'operatore.

Suggerimenti per una migliore raccolta

- Seguire le istruzioni di funzionamento del rasaerba riportate nel Manuale dell'operatore.
- Quando si utilizza il raccogliherba su un prato dove in precedenza non è stata utilizzata un'attrezzatura di raccolta dell'erba e delle foglie, la macchina raccoglie paglia e detriti che si sono accumulati per lunghi periodi di tempo. La quantità raccolta e il tempo totale necessario per l'operazione possono essere notevolmente superiori rispetto a quanto avviene con l'uso regolare del raccogliherba.
- Azionare sempre l'acceleratore alla velocità massima durante la raccolta.
- Selezionare una velocità di avanzamento abbastanza bassa per ottenere buone prestazioni di taglio del rasaerba, taglio di buona qualità e prestazioni di raccolta ottimali.
NOTA: potrebbe essere necessario sovrapporre le larghezze di taglio adattandole alle condizioni specifiche.
- Se l'erba è molto alta, deve essere tagliata in due passate. La prima passata deve essere eseguita a una delle impostazioni più alte, la seconda all'altezza desiderata.
- Utilizzare il lato sinistro del rasaerba per la rifinitura.
- Evitare di tagliare l'erba bagnata o al mattino in presenza di rugiada. I frammenti di erba tagliata raccolti in tali condizioni si attaccano più facilmente, aderendo alle pareti del percorso del flusso e causando ostruzioni.
- Se il raccogliherba non riesce a raccogliere l'erba o le foglie, ciò indica che il sistema è ostruito o che i contenitori del raccogliherba sono pieni.
 - a. Disinserire le lame e portare le leve di comando del movimento in posizione FOLLE.
 - Sbloccare e sollevare il coperchio.
 - Estrarre i contenitori e smaltire i residui d'erba.
 - Sostituire i contenitori, chiudere il coperchio e bloccarlo.
 - b. Sbloccare gli scivoli e controllare se sono presenti intasamenti.
 - Eliminare tutti i residui dallo scivolo di scarico.
 - Rimontare e chiudere gli scivoli.

Indicazioni generali

Rispettare sempre le norme di sicurezza durante tutti gli interventi di manutenzione.

- Prima di ogni utilizzo, controllare sempre che non vi siano dispositivi di fissaggio allentati.
- Pulire accuratamente l'unità dopo ogni utilizzo.

Cura delle lame

- Per ottenere risultati ottimali, le lame del rasaerba devono essere mantenute sempre affilate. Sostituire le lame piegate o danneggiate.
- Vedere le istruzioni nel Manuale dell'operatore del rasaerba.

StorageRimessaggio

Se non si intende utilizzare il raccogliherba per un lungo periodo di tempo, pulirlo accuratamente e rimuovere tutte le tracce di sporco, l'erba, le foglie, ecc. Conservare in un luogo asciutto e pulito.

Utensili richiesti

- Chiave da 15/16" (2)
- Chiave da 3/4" (1)
- Chiave da 1/2" (1)
- Chiave dinamometrica (1)
- Trapano con punta da 7/16"
- Chiave a brugola da 1/2"
- Chiave a cricchetto con attacco da 3/8", prolunga da 6"
- Chiave da 1-1/4" (1)
- Chiave da 9/16" (2)
- Chiave da 7/16" (1)
- Cacciavite, standard (1)

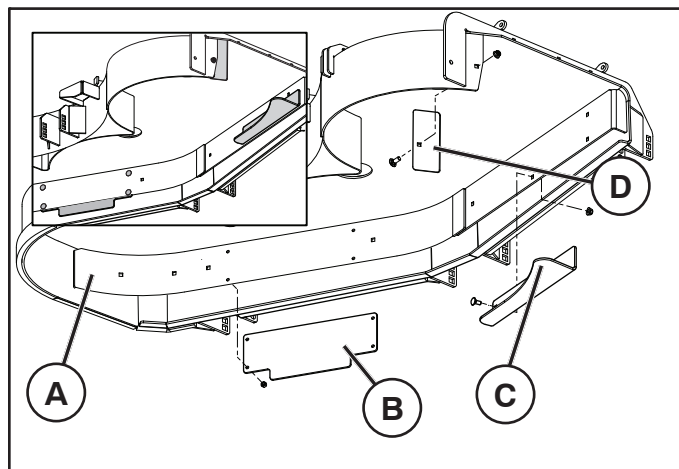
NOTA: le indicazioni "destra" (DX) e "sinistra" (SX) utilizzate nel presente manuale sono riferite all'operatore seduto al posto di guida del rasaerba.

MONTAGGIO

INSTALLAZIONE DEI DEFLETTORI DI SCARICO

NOTA: il sistema di raccolta include dei deflettori opzionali per il piatto, progettati per impedire il soffiaggio di aria durante la raccolta in condizioni estreme di taglio a secco. Se le condizioni di taglio non sono eccessivamente secche, i deflettori potrebbero non essere necessari.

1. Rimuovere la bulloneria dal deflettore centrale del piatto.
2. Posizionare il deflettore sinistro del kit tra la protezione del piatto (A) e il bordo anteriore del piatto.
3. Utilizzando una chiave da 7/16", fissare il deflettore sinistro (B) e il deflettore centrale alla protezione del piatto con quattro bulloni a testa tonda e dadi da 1" inclusi nel kit.
4. Utilizzando una chiave da 1/2", installare il deflettore destro (C) sul lato della lama della protezione del piatto e fissarlo con due bulloni a testa tonda e dadi da 1/2" inclusi nel kit.
5. Solo piatto da 48" - fissare la piastra di blocco (D) al lato sinistro dell'apertura di scarico del piatto con un bullone da 3/4" e un dado.



MONTAGGIO DELLE LAME



ATTENZIONE! Le lame sono affilate. Proteggere le mani con guanti e/o avvolgere le lame con un panno spesso durante la manipolazione.

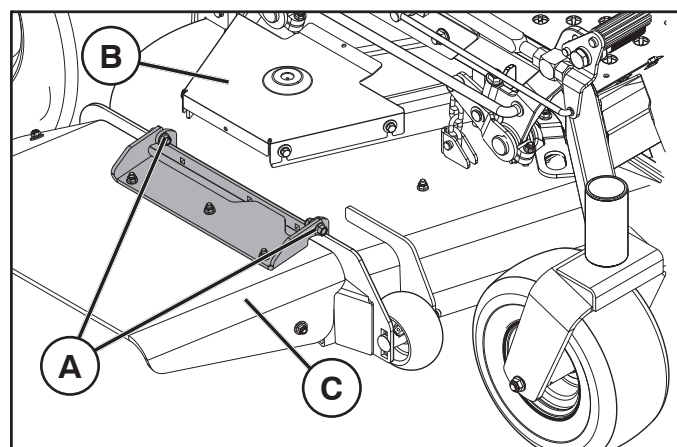


1. Rimuovere le lame originali del piatto con una barra e una chiave a brugola da 15/16". Conservare i bulloni delle lame per riutilizzarli.
2. Installare le lame del kit utilizzando i bulloni delle lame esistenti (coppia di serraggio 90 ft/lb).
3. Ruotare manualmente le spazzole e verificare il gioco di tutti i deflettori.
4. Accertarsi che tutta la bulloneria sia serrata.

MONTAGGIO DELLA PULEGGIA MOTRICE

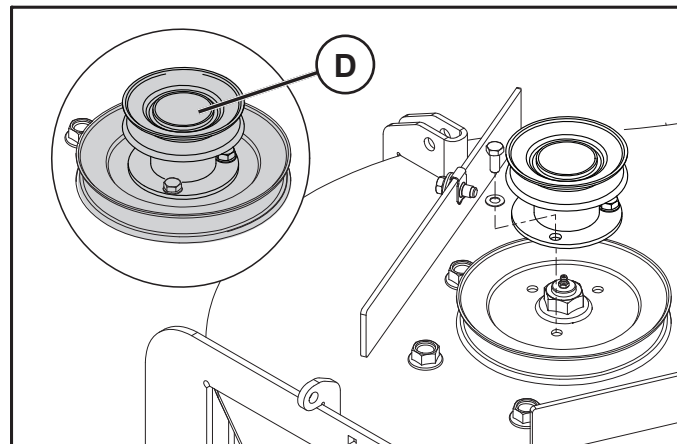
NOTA: Il kit di trasmissione non è incluso nel sistema di raccolta.

1. Usando due chiavi da 9/16", rimuovere la bulloneria e lo scivolo di scarico dal piatto.
2. Abbassare il piatto fino alla posizione di taglio più bassa.
3. Con una chiave da 1/2", rimuovere la bulloneria (A) dal coperchio della cinghia (B) lato destro (lato di scarico) e rimuovere la protezione (C) dal piatto.
4. Allentare la tensione dalla cinghia del piatto e rimuoverla dalla puleggia del piatto centrale.
(Fare riferimento al manuale dell'operatore se necessario)



Piatto da 48"

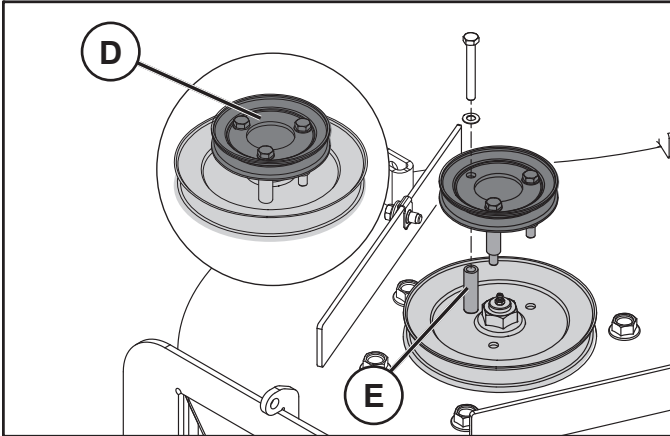
5. Rimuovere i bulloni e le rondelle che fissano la puleggia del piatto destro al mandrino con una chiave da 1/2". Non rimuovere la puleggia.
6. Installare la nuova puleggia motrice (D) sulla parte superiore della puleggia del piatto corrente. Utilizzare una chiave da 1/2" per fissare le tre viti da 5/8" e le rondelle elastiche alla parte superiore della puleggia.
7. Reinstallare la cinghia del piatto di taglio.



MONTAGGIO

Piatto da 54" e 60"

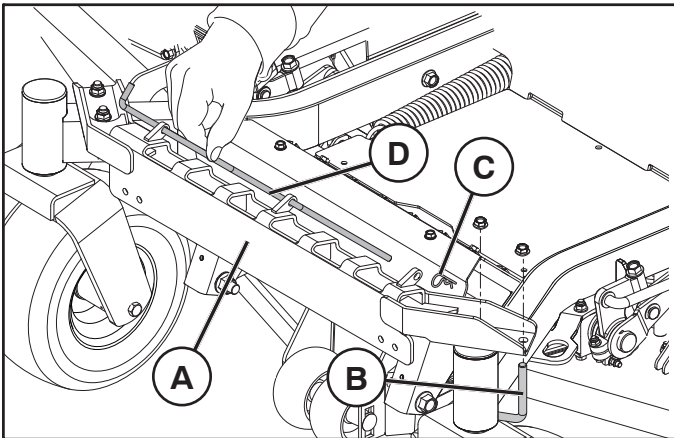
5. Rimuovere i bulloni e le rondelle che fissano la puleggia del piatto destro al mandrino con una chiave da 1/2". Non rimuovere la puleggia.
6. Installare la nuova puleggia motrice sulla parte superiore della puleggia del piatto corrente, posizionando i distanziatori (E) nel mezzo. Utilizzare una chiave da 1/2" per fissare le tre viti da a 2-1/2" e le rondelle elastiche alla parte superiore della puleggia. Fare riferimento alla figura.
7. Reinstallare la cinghia del piatto di taglio.



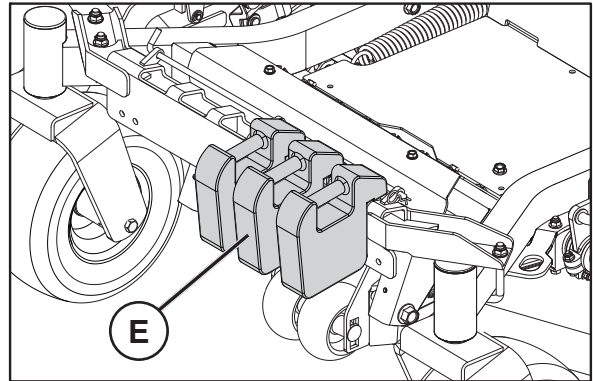
INSTALLAZIONE DEI CONTRAPPESI

NOTA: Il kit della trasmissione da 48" comprende piastre dei contrappesi e bulloneria di montaggio non necessarie. Scartarle e utilizzare i contrappesi in dotazione con il sistema di raccolta.

1. Montare il gruppo dei supporti di montaggio dei contrappesi (A) sul telaio anteriore tra le ruote. Fissare i bulloni a U (B) sotto il telaio e in alto attraverso le estremità della staffa. Serrare i bulloni a U con i dadi in dotazione.
2. Rimuovere il fermo (C) dall'asta di bloccaggio del gruppo e far scorrere l'asta per estrarla dalla staffa.



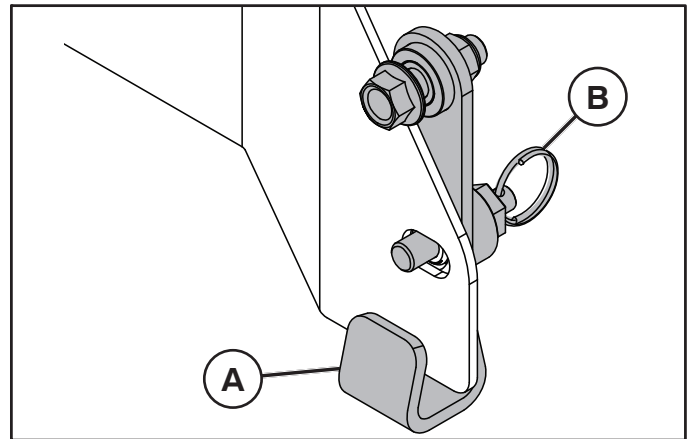
3. Posizionare i tre contrappesi (E) nel supporto di montaggio, lasciando libere le aperture sul lato destro.



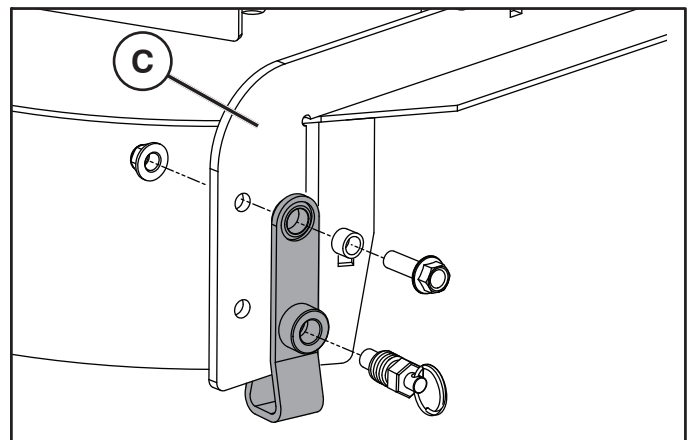
4. Rimontare l'asta di bloccaggio e fissarla con il fermo.

MONTAGGIO DEL GRUPPO SOFFIATORE

1. Individuare il gruppo del fermo posteriore inferiore (A) fissato ai supporti di montaggio del gruppo soffiatore. Tirare il perno a molla (B) per rilasciare il gruppo dal soffiatore.



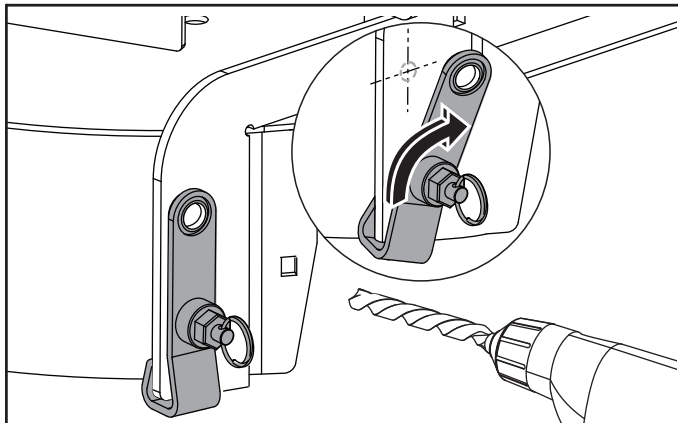
2. Il gruppo deve essere fissato alla flangia dello scivolo di scarico (C) del piatto sulla parte posteriore del piatto. Fissare il fermo alla parte esterna della flangia del piatto utilizzando il foro superiore. Fissare il perno a molla nel foro inferiore.



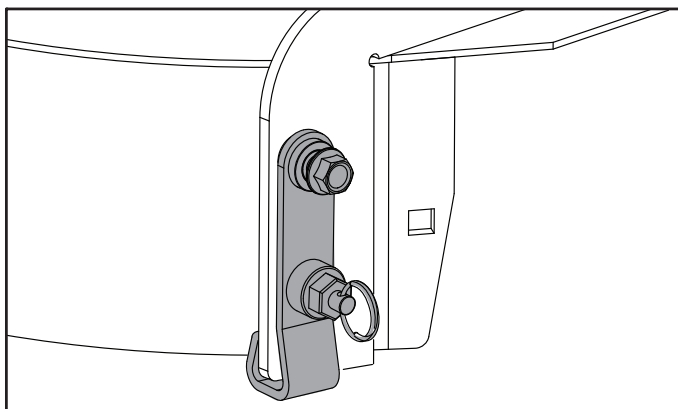
MONTAGGIO

NOTA: per i modelli di piatto più vecchi, potrebbe essere necessario forare il piatto con un trapano per realizzare il foro superiore

3. Fissare il fermo al piatto tramite il perno a molla e regolare in verticale il fermo sulla flangia. Contrassegnare la posizione del secondo foro e ruotare la staffa affinché non sia di intralcio. Con il trapano, praticare un foro da 7/16" in corrispondenza del segno.

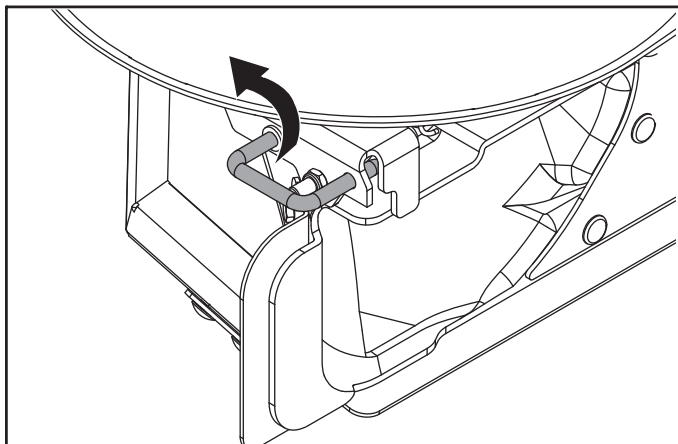


4. Spostare il gruppo del fermo in posizione e fissare il fermo al foro superiore con il bullone, il distanziatore e il dado.



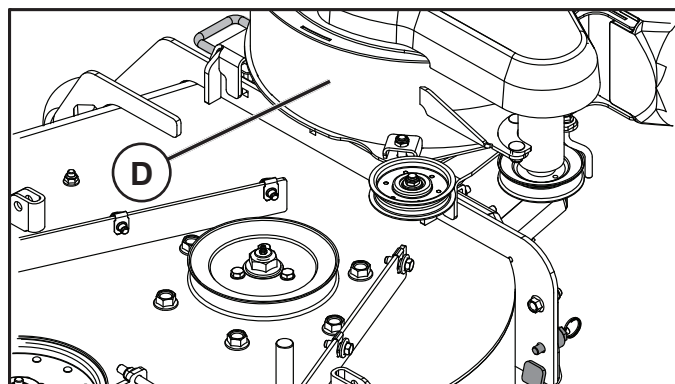
NOTA: il gruppo del fermo può rimanere sul piatto quando il sistema di raccolta del soffiatore non è in uso.

5. Estrarre i perni di bloccaggio e ruotarli verso l'alto in direzione dell'alloggiamento superiore.



6. Posizionare il soffiatore (D) sul piatto con le fessure di montaggio sopra le linguette di montaggio dello scivolo di scarico.

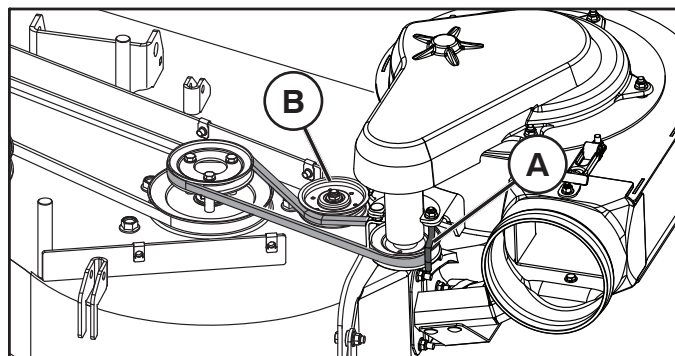
7. Ruotare nuovamente verso il basso il perno di bloccaggio assicurandosi che passi attraverso la linguetta di montaggio anteriore dello scivolo di scarico del piatto.
8. Tirare il perno a molla e ruotare il fermo posteriore inferiore fino a inserire il perno attraverso i supporti di montaggio del soffiatore e la flangia del piatto.



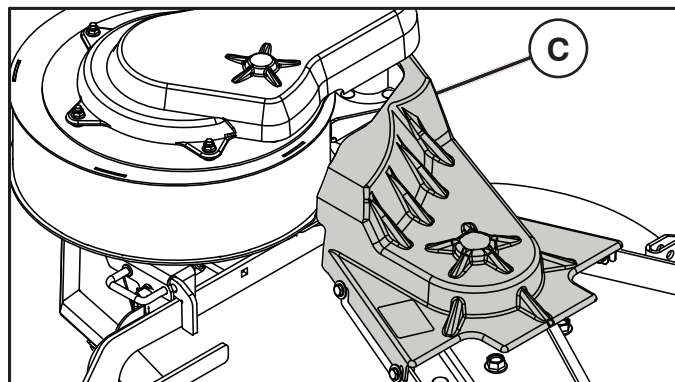
MONTAGGIO DELLA CINGHIA DI TRASMISSIONE

1. Posizionare la cinghia di trasmissione intorno alla puleggia sul soffiatore.
2. Ruotare il supporto della cinghia (A) a 1/8" dalla puleggia del soffiatore e serrare con una chiave da 1/2".
3. Ruotare il galoppino del soffiatore (B) verso la parte anteriore del soffiatore e posizionare la cinghia sulla puleggia del piatto. Fare riferimento all'illustrazione per la disposizione corretta della cinghia.

NOTA: potrebbe essere necessario disinnestare i perni di bloccaggio e ruotare il soffiatore per facilitare l'installazione della cinghia di trasmissione. Rimontare i perni di bloccaggio dopo aver l'installazione della cinghia.



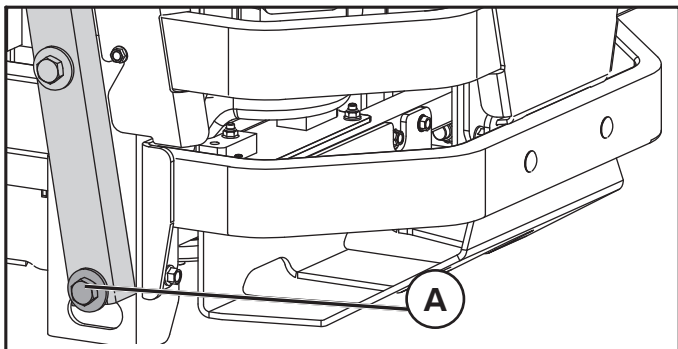
4. Posizionare il coperchio (C) della cinghia del piatto del kit di trasmissione sulle pulegge del piatto e reinstallare la bulloneria di protezione del piatto.



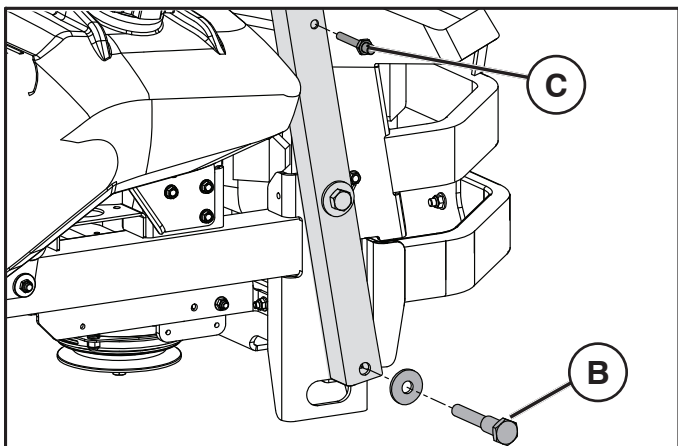
MONTAGGIO

INSTALLAZIONE DEL COLLETTORE

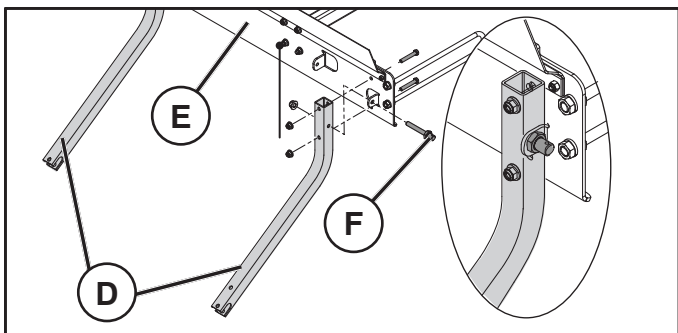
1. Utilizzando due chiavi da 15/16", rimuovere i bulloni inferiori del ROPS (A) su ciascun lato, conservando la rondella e il dado per la fase successiva.



2. Montare un perno di attacco (B), una rondella e un dado su ciascun lato dove è stato rimosso il bullone del ROPS. Serrare i perni di attacco e i relativi dadi utilizzando chiavi da 15/16" e 1-1/4".
3. Inserire i perni di montaggio (C) attraverso il tubo ROPS nei fori predisposti a circa 18" dalla parte inferiore del tubo ROPS. Il perno passa dall'esterno verso l'interno, in modo che le filettature siano sul lato interno del tubo. Fissare ciascun lato con i dadi e serrare utilizzando chiavi da 3/4" e 9/16".



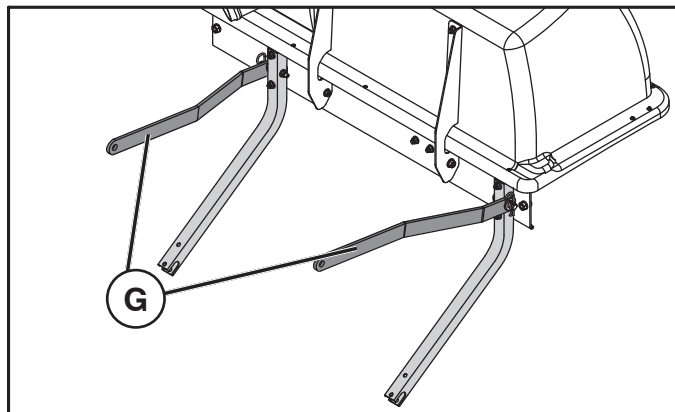
4. Collegare i tubi dell'attacco (D) al gruppo dell'attacco (E) con bulloni da 2-1/4" e dadi come mostrato in figura. Serrare utilizzando chiavi da 9/16" e 3/4". Montare i supporti del perno (F) attraverso i tubi e il gruppo dell'attacco e fissarli con i dadi.



5. Fissare le cinghie (G) ai perni del supporto installati precedentemente sul gruppo del cofano.

NOTA: il montante corto delle cinghie si fissa sul lato della piastra trasversale e le cinghie formano un angolo verso l'interno.

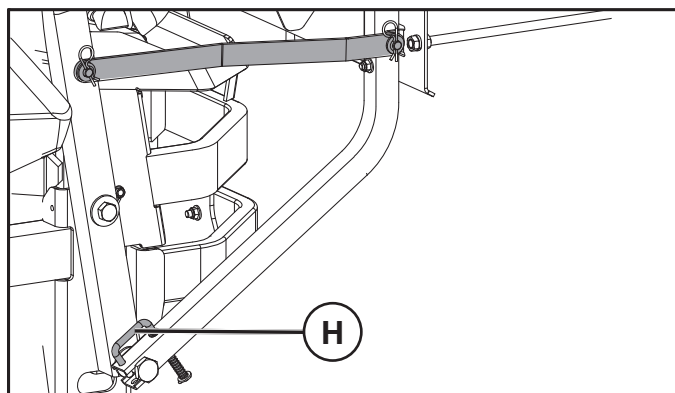
6. Fissare le cinghie con le rondelle e i fermi nei perni di supporto.



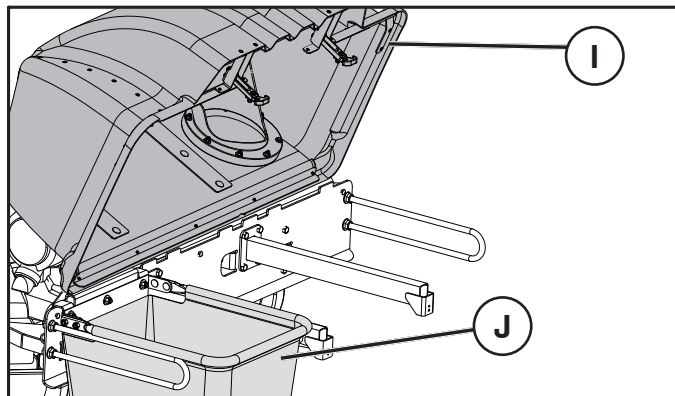
7. Con il gruppo cofano/attacco dietro il rasaerba, posizionare la parte inferiore scanalata dei tubi dell'attacco sui perni di attacco fissati al fondo del ROPS.

Nota: assicurarsi che il perno di ritegno (H) si agganci alla parte anteriore dei perni dell'attacco.

8. Sollevare la parte posteriore del cofano e fissare le estremità libere delle cinghie sui perni superiori installati nel ROPS. Fissare con le rondelle e i fermi.



9. Rilasciare i fermi del cofano (I) e aprire il cofano sollevandolo. Se il cofano non rimane aperto, serrare leggermente i bulloni della cerniera del cofano.
10. Montare i sacchetti del raccogliherba (J), chiudere il cofano e bloccarlo.



11. Fissare il tubo tra il gruppo cofano e il soffiatore.

MANUTENZIONE

Trasporto



ATTENZIONE! La tramoggia del sistema di raccolta deve essere completamente vuota e tutti e tre i contrappesi devono essere installati durante l'avvicinamento su un rimorchio a marcia avanti. Se il rasaerba deve essere caricato su un rimorchio quando sono ancora presenti detriti nella tramoggia, il rasaerba deve essere avvicinato in retromarcia sul rimorchio per evitare ribaltamenti.



ATTENZIONE! Non trasportare il rasaerba con i contrappesi fissati ai supporti di montaggio. Rimuovere i contrappesi dopo aver posizionato il rasaerba sul rimorchio. Fissare i pesi al rimorchio separatamente.

- La macchina ha un peso elevato e può causare gravi lesioni in caso di schiacciamento. Prestare particolare attenzione durante il caricamento o lo scaricamento da veicoli o rimorchi.
- Utilizzare un rimorchio apposito per il trasporto della macchina. Azionare il freno di stazionamento, arrestare l'alimentazione di carburante e fissare la macchina mediante dispositivi di fissaggio appropriati quali funi, catene o corde.
- Prima di trasportare la macchina su strada, verificare le disposizioni legislative locali.
- Caricare l'unità sull'autocarro o rimorchio conducendola su rampe di lunghezza idonea a velocità ridotta. Non sollevare. La macchina non è progettata per essere sollevata a mano.
- Durante le operazioni di carico o scarico di questa macchina, non superare l'angolazione di esercizio massima raccomandata di 100°.

Cura dei tubi

1. Controllare i tubi flessibili prima di ogni utilizzo. Se i tubi flessibili sono eccessivamente usurati o presentano lacerazioni o fori, sostituirli immediatamente.
2. Per prolungare la durata del tubo flessibile, ruotare periodicamente il tubo e invertire le due estremità. Fare riferimento al Programma di manutenzione preventiva riportato nel presente manuale.
3. Per ridurre l'usura, evitare torsioni e curve strette nei tubi.
4. Evitare di trascinare il tubo flessibile inferiore lungo le pareti di edifici o altre superfici dure.

Pulizia

Pulizia, lavaggio e lubrificazione regolari aumentano la durata della macchina.

NOTA: in caso di lavaggio a pressione, prestare attenzione a non danneggiare le decalcomanie. **PER LA PULIZIA; LA PRESSIONE DELL'ACQUA NON DEVE SUPERARE 1000 PSI**

Per ottenere risultati ottimali, pulire regolarmente la rete romboidale in poliestere. La rete romboidale in poliestere del sistema di raccolta si trova all'interno della cappa della tramoggia.

1. Spegnerne il motore.
2. Sganciare i due fermi in gomma sotto il lato posteriore della cappa. Aprire la cappa e, utilizzando una spazzola, rimuovere i detriti su entrambi i lati.
3. Chiudere la cappa e il cofano e reinserire i fermi.

NON UTILIZZARE IL SISTEMA DI RACCOLTA SENZA RETE ROMBOIDALE IN POLIESTERE FISSATA SALDAMENTE IN POSIZIONE.

Rimessaggio

Se non si intende utilizzare il raccogliherba per un lungo periodo di tempo, pulirlo accuratamente e rimuovere tutte le tracce di sporco, l'erba, le foglie, ecc. Ricoprire tutti i graffi con vernice per ritocchi.

Conservare in un luogo asciutto e pulito. Si consiglia il rimessaggio al coperto o al chiuso.

Maintenance Schedule

ARTICOLO	PRIMA DI OGNI UTILIZZO	OGNI 5 ORE	OGNI 25 ORE	OGNI 50 ORE
Controllare/pulire la rete in poliestere	X	X		
Controllare/serrare i dadi e i bulloni	X			
Controllare/serrare i tubi	X			
Invertire le estremità del tubo			X	
Ruotare il tubo				X
Pulire la macchina				X


Guida alla ricerca dei guasti

Problema	Causa possibile
Perdita di vuoto	Tubo o ingresso della cappa ostruito
	Contenitore pieno
	Rete in poliestere ostruita
Vibrazioni o rumori insoliti	Oggetto solido incastrato nell'unità
	Bulloni allentati o mancanti
Unità difficile da chiudere	Ostruzioni che impediscono la chiusura completa dello sportello
	Bulloni della cerniera della cappa troppo stretti


GEFELICITEERD met de aanschaf van een nieuw opvangsysteem. Het is zo ontworpen, ontwikkeld en geproduceerd dat u kunt vertrouwen op de beste betrouwbaarheid en prestaties.

Ondervindt u problemen die u niet eenvoudig kunt oplossen, neem dan contact op met het dichtstbijzijnde erkende servicecentrum/servicepunt. Zij beschikken over kundige, goed opgeleide technici met het juiste gereedschap voor onderhoud en reparaties.

Lees en bewaar deze handleiding. Aan de hand van de instructies kunt u uw opvangsysteem op een juiste wijze monteren en onderhouden. Neem altijd de **VEILIGHEIDSVOORSCHRIFTEN** in acht.

 **VOORZICHTIG!** Gebruik de maaier **NIET** terwijl de grasopvangbak slechts gedeeltelijk is geïnstalleerd.


- Schakel de messen uit en stop de motor voordat u van uw maaier afstapt om opvangbakken leeg te maken, verstoppingen uit uitworpen te halen enz.
- Sluit de klep voordat u begint.
- Schakel de messen van de maaier uit voordat u opritten, stukken met grind of andere gebieden oversteekt waar gevaar zou kunnen ontstaan door voorwerpen die rond worden geslingerd.
- Probeer blikjes en ander mogelijk gevaarlijke projectielen **NIET** op te zuigen.


 **VOORZICHTIG!** Voordat u de grasopvangbak op de maaier monteert:


- Stel de parkeerrem in.
- Zet de besturingsregelaars in de **NEUTRALE** positie.
- Zet het contact **UIT** en verwijder de sleutel.
- Controleer of alle messen en alle bewegende delen volledig tot stilstand zijn gekomen.

KEN UW OPVANGSYSTEEM

LEES DEZE GEBRUIKERSHANDLEIDING EN DE VEILIGHEIDSVOORSCHRIFTEN VOORDAAT U UW OPVANGSYSTEEM MONTEERT OF GEBRUIKT. Vergelijk de illustraties met de inhoud van de doos om uzelf vertrouwd te maken met de onderdelen voordat u aan de montage begint. Bestudeer de bedienings- en veiligheidsinstructies grondig voor een goede werking van uw grasopvangbak en om letsel aan uzelf of anderen te voorkomen. Bewaar deze handleiding zodat u deze later kunt raadplegen.

 **VOORZICHTIG!** Laat geen gras zitten in opvangbakken. Maak bakken na elk gebruik en voordat u ze opbergt schoon. Als u dit niet doet, kan het gras gaan broeien en brand veroorzaken.

 **VOORZICHTIG!** Onderdelen van de grasopvangbak zijn onderhevig aan slijtage, schade en aantasting, waardoor bewegende delen bloot kunnen komen te liggen of voorwerpen kunnen worden weggeslingerd. Controleer regelmatig de onderdelen en vervang deze indien nodig door onderdelen die door de fabrikant worden aanbevolen.

 **VOORZICHTIG!** Het gebruik van een maaier kan tot gevolg hebben dat er vreemde voorwerpen worden uitgeworpen; deze kunnen in de ogen terechtkomen met mogelijk ernstig oogletsel als gevolg. Draag **ALTIJD** een veiligheidsbril of oogbescherming voordat u uw maaier start en tijdens het maaien. Voor het beschermen van uw gezichtsvermogen raden we aan dat u een standaard veiligheidsbril gebruikt of een breed veiligheidsmasker dat over een bril past.



WAARSCHUWING! DEZE MACHINE IS IN STAAT HANDEN EN TENEN TE AMPUTEREN EN VOORWERPEN TE LANCEREN. ALS U ZICH NIET AAN DE VEILIGHEIDSinSTRUCTIES HOUDT, KAN DIT LEIDEN TOT ERNSTIG OF DODELIJK LETSEL.

Algemene werking

- Gebruik de maaier NIET met een grasopvangbak tenzij de gewichten aan de voorkant zijn bevestigd. Zorg dat u alle instructies in de handleiding en op de machine hebt gelezen, begrepen en opgevolgd.
- Houd de machine vrij van gras, bladeren of ander vuil dat zich kan ophopen en de hete uitlaat/motoronderdelen kan raken en vlam kan vatten. Laat het maaidek geen bladeren of ander vuil omploegen, omdat dat zich dan in de machine kan verzamelen.
- Stop de motor voordat u de grasopvangbak verwijdert of een verstopping uit de uitworp haalt.
- Gebruik de maaier niet zonder dat de volledige grasopvangbak of de beschermkap op zijn plaats zit. Houd rekening met de afvoerrichting van de maaier en richt de afvoeropening nooit op personen.
- Haal voorwerpen, zoals stenen, speelgoed en draad, uit de buurt, omdat deze door de messen kunnen worden opgepakt en weggeslingerd.
- De machine mag alleen worden gebruikt door verantwoordelijke volwassenen die bekend zijn met de instructies.
- De eigenaar en de gebruiker van deze machine kunnen ongevallen voorkomen en zijn verantwoordelijk voor ongevallen of letsel waarbij zichzelf of andere personen of eigendommen betrokken zijn.
- Zorg ervoor dat er zich geen mensen en dieren in het gebied bevinden voordat u begint met maaien. Stop de machine als iemand dichterbij komt.
- Vervoer nooit passagiers of kinderen, zelfs niet met de messen uitgeschakeld.
- Maai niet achteruit, tenzij het absoluut nodig is. Kijk altijd omlaag en achter u vóór en tijdens het achteruitrijden.
- Ga langzamer rijden voordat u een bocht neemt.
- Laat de machine nooit onbeheerd achter terwijl de motor draait. Alvorens de machine te verlaten dient u altijd de bladen uit te schakelen, de handrem in te schakelen, de motor uit te schakelen en de sleutels te verwijderen.
- Schakel de messen uit wanneer u niet maait.
- Maai alleen bij daglicht of goed kunstlicht.
- Bedien de machine niet wanneer u onder invloed van alcohol of drugs bent.
- Let op het verkeer als u nabij wegen rijdt of deze kruist.
- Wees extra voorzichtig als u de machine op een aanhanger of vrachtwagen laadt of lost.
- Uit onderzoek is gebleken dat gebruikers van 60 jaar en ouder vaak zijn betrokken bij ongevallen met zitmaaiers. Deze gebruikers moeten beoordelen of ze beschikken over voldoende vermogen om de zitmaaier veilig genoeg te bedienen, om henzelf en anderen tegen ernstig letsel te beschermen.
- Verwijder gemorste olie of brandstof voordat u de machine bedient of opslaat.
- Laat de machine afkoelen voordat u hem opslaat.

Gebruik op hellingen

Op hellingen gebeuren vaak ongevallen door verlies van controle over de machine of omslaan, wat kan leiden tot ernstig of dodelijk letsel. Wees extra voorzichtig op alle hellingen. Als u niet achteruit de helling op kunt rijden of als u zich daar niet prettig bij voelt, maai de helling dan niet.

WEL DOEN

- Maai de hellingen van boven naar beneden en terug (max. 10°), niet dwars.
- Verwijder voorwerpen zoals stenen, takken, enz.
- Pas op voor gaten, geulen of hobbels. De machine kan door ongelijkmatig terrein omslaan. Obstakels kunnen moeilijk te zien zijn door hoog gras.
- Gebruik lage snelheid. Kies een lage snelheid zodat u op de helling niet hoeft te stoppen.
- Wees extra voorzichtig wanneer u grasopvangbakken of andere hulpstukken gebruikt. Deze kunnen de stabiliteit van de machine beïnvloeden.
- Houd alle bewegingen op de helling langzaam en gelijkmatig. Vermijd abrupte veranderingen in snelheid en richting.
- Vermijd starten of stoppen op hellingen. Als de banden grip verliezen, schakel dan de bladen uit en rijd langzaam recht de helling af.

NIET DOEN

- Draai niet op hellingen als dit niet nodig is. Draai daarna indien mogelijk langzaam en geleidelijk naar beneden.
- Maai niet in de buurt van steile hellingen, greppels of dijken. De maaier kan plotseling omslaan als een van de wielen over de rand rijdt van een klif of greppel of als de rand instort.
- Maai niet op nat gras. Verminderde tractie kan leiden tot schuiven.
- Probeer de machine niet te stabiliseren door uw voet op de grond te zetten.

Service

- Onderdelen van de grasopvangbak zijn onderhevig aan slijtage, schade en aantasting, waardoor bewegende delen bloot kunnen komen te liggen of voorwerpen kunnen worden weggeslingerd. Controleer regelmatig de onderdelen en vervang deze indien nodig door onderdelen die door de fabrikant worden aanbevolen.
- Het gebruik van een maaier kan tot gevolg hebben dat er vreemde voorwerpen worden uitgeworpen; deze kunnen in de ogen terechtkomen met mogelijk ernstig oogletsel als gevolg. Draag altijd een veiligheidsbril of gezichtsbescherming tijdens het gebruik van uw maaier of tijdens het afstellen of repareren van de machine. Voor het beschermen van uw gezichtsvermogen raden we aan dat u een breed veiligheidsmasker draagt dat over een bril past of dat u een standaard veiligheidsbril gebruikt.
- Zorg dat de moeren en bouten, vooral die waarmee de messen zijn bevestigd, goed zijn vastgedraaid en zorg dat de uitrusting in goede staat is.
- Blijf van de veiligheidsvoorzieningen af. Controleer regelmatig op een juiste werking.
- Houd de machine vrij van gras, bladeren en andere vuilophoping.
- Ruim gemorste olie of brandstof op.
- Laat de machine afkoelen voordat u hem opbergt.
- Stop en controleer het apparaat als u een voorwerp raakt. Repareer de machine waar nodig voordat u de machine weer start.
- Voer nooit aanpassingen of reparaties uit terwijl de motor draait.

- Maaibladeren zijn scherp en kunnen snijwonden veroorzaken. Dek het/de blad(en) af of draag handschoenen, en wees extra voorzichtig bij het onderhoud van de bladeren.
- Controleer de werking van de rem regelmatig. Stel af en voer onderhoud uit zoals getoond in de bedieningshandleiding.

Tips voor beter gebruik van opvangbakken

- Volg de bedieningsinstructies in de Gebruikershandleiding van de maaier.
- Bij gebruik van de grasopvangbak op een gazon waar niet eerder een systeem voor het opvangen van gras en bladeren is gebruikt, wordt mos en vuil opgezogen dat zich in de loop der tijd heeft verzameld. De verzamelde hoeveelheid en de totale gebruiksduur kan groter zijn dan bij regelmatig gebruik van de grasopvangbak.
- Laat de gashendel altijd op volledige snelheid werken wanneer u de opvangbak vult.
- Selecteer een rijsnelheid die laag genoeg is voor goede maaiprestaties, een goede maaikwaliteit en goed gevulde opvangbakken.
OPMERKING: afhankelijk van uw omstandigheden kan het nodig zijn om de maaibreedte te overlappen.
- Als het gras bijzonder lang is, moet het twee keer worden gemaaid. De eerste keer maait u dan met een van de hoogste instellingen, de tweede keer maait u tot de gewenste hoogte.
- Gebruik de linkerkant van de maaier om uw gazon te trimmen.
- Vermijd het maaien van nat gras of maaien in de ochtend, wanneer uw gazon nog veel dauw bevat. Grasresten die onder deze omstandigheden worden verzameld, zijn vaak kleverig en blijven aan de wanden van het graskanaal plakken, waardoor verstopping ontstaat.
- Als de grasopvangbak er niet in slaagt om gras of bladeren op te zuigen, wijst dit erop dat het systeem verstopt zit of dat de grasopvangbakken vol zitten.
 - a. Schakel de bladeren uit en plaats de besturingsregelaars in de neutrale positie.
 - Ontgrendel en open de kap.
 - Schuif de containers uit en voer het maaisel af.
 - Vervang de containers, sluit de kap en vergrendel.
 - b. Ontgrendel de uitwerpen en controleer op verstopping.
 - Verwijder al het vuil uit de uitworp.
 - Monteren en vergrendel de uitwerpen.

Algemene aanbevelingen

Houd u altijd aan de veiligheidsvoorschriften bij het uitvoeren van onderhoudswerkzaamheden.

- Controleer voor elk gebruik of er bevestigingen loszitten.
- Maak de machine na elk gebruik grondig schoon.

Verzorging van messen

- Voor het beste resultaat moeten de messen van de maaier scherp worden gehouden. Vervang verbogen of beschadigde messen.
- Zie de instructies in de gebruikershandleiding van de maaier.

Opslag

Wanneer de grasopvangbak langdurig wordt opgeborgen, moet u deze grondig schoonmaken en al het vuil, gras, bladeren etc. verwijderen. Bewaar de grasopvangbak op een schone, droge plaats.

Vereiste gereedschappen

- 15/16" sleutel (2)
- 3/4" sleutel (1)
- 1/2" sleutel (1)
- Momentsleutel (1)
- Boor met bit van 7/16"
- Moersleutel 1/2"
- Ratelsleutel met indraai van 3/8", verlengstuk van 6"
- 1-1/4" sleutel (1)
- 9/16" sleutel (2)
- 7/16" sleutel (1)
- Schroevendraaier, standaard (1)

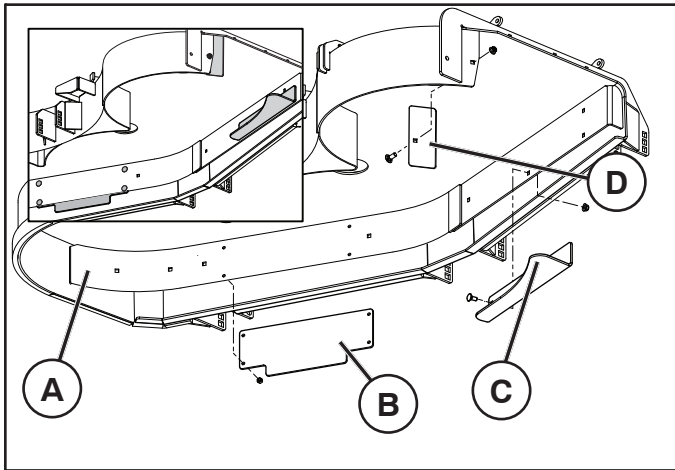
OPMERKING: wanneer links (LH) en rechts (RH) worden genoemd in deze handleiding, wordt verondersteld dat u op de maaier zit op de plaats van de gebruiker.

MONTEREN

UITBLAASKEERPLATEN MONTEREN

OPMERKING: het opvangsysteem beschikt over optionele dekkeerplaten, die zijn ontworpen om te voorkomen dat grasresten worden uitgeblazen wanneer u maait onder extreem droge omstandigheden. Als de omstandigheden niet extreem droog zijn, zijn de keerplaten mogelijk niet nodig.

1. Verwijder het bevestigingsmateriaal uit de middelste keerplaat van het dek.
2. Plaats de linker keerplaat van de set tussen de dekmantel (A) en de voorkant van het dek.
3. Bevestig de linker keerplaat (B) en de middelste keerplaat aan de dekmantel met vier slotbouten van 1 inch en moeren die bij de set worden geleverd. Gebruik daarvoor een sleutel van 7/16".
4. Gebruik een sleutel van 1/2" en installeer de rechter keerplaat (C) aan de meszijde van de dekmantel. Zet de keerplaat vast met twee slotbouten van 1/2" en moeren uit de set.
5. Alleen dek van 48" - bevestig de blokkeringsplaat (D) aan de linkerkant van de uitvoeropening van het dek met een 3/4" bout en moer.



BLADEN MONTEREN



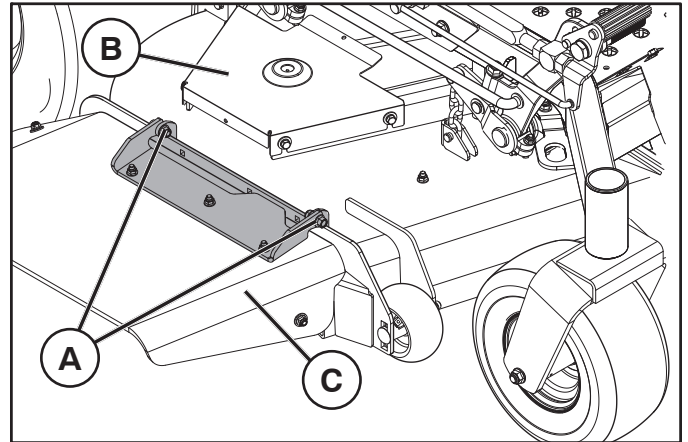
VOORZICHTIG! De messen zijn scherp. Bescherm uw handen met handschoenen en/of wikkel de bladen in een stevige doek wanneer u ze hanteert.

1. Verwijder de originele bladen van het dek met een wringijzer en 15/16"-dop. Bewaar de bladbouten voor hergebruik.
2. Monteer de bladen van de kit met behulp van de bestaande bladbouten (haal aan tot 90 ft./lbs.).
3. Draai de messen met de hand rond en controleer op speling van alle slijtplaten.
4. Zorg ervoor dat alle bevestigingsmaterialen goed vastzitten.

AANDRIJFPOELIE MONTEREN

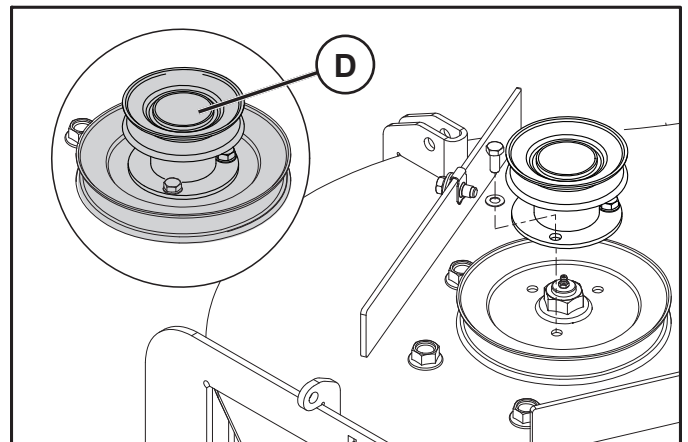
OPMERKING: De Drive Kit-aandrijfset is niet bij het opvangsysteem inbegrepen.

1. Gebruik twee 9/16"-sleutels om de bevestigingsmaterialen en uitworp van het dek te verwijderen.
2. Zet het dek in de laagste maaipositie.
3. Verwijder met een 1/2"-sleutel de bevestigingsmaterialen (A) van de rechter riemkap (B) (uitworpzijde) en verwijder de bescherming (C) van het dek.
4. Ontspan de dekriem en verwijder deze uit de middelste poelie van het dek.
(Zie indien nodig de bedieningshandleiding)



48"-dek

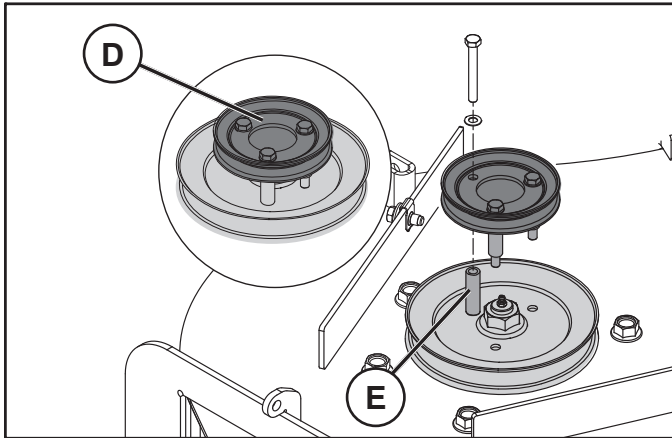
5. Verwijder met een 1/2"-sleutel de bouten en ringen waarmee de rechter dekpoelie is bevestigd op de spil. Verwijder de poelie niet.
6. Monteer een nieuwe aandrijfpoelie (D) bovenop de huidige dekpoelie. Gebruik een 1/2"-sleutel om de drie 5/8"-bouten en veerringen op de bovenkant van de poelie vast te zetten.
7. Plaats de maaidekriem terug.



MONTEREN

54"- en 60"-dek

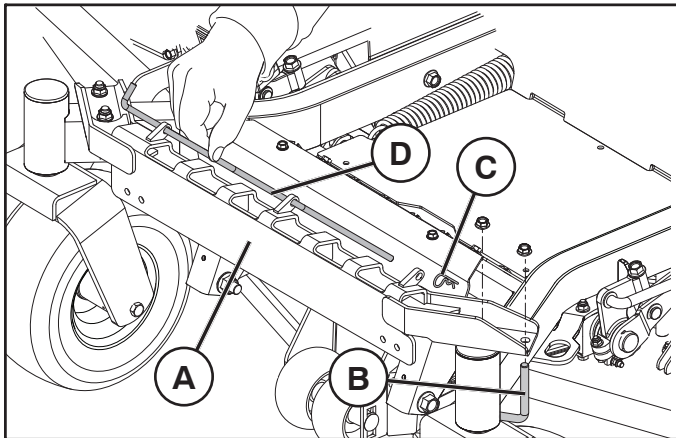
5. Verwijder met een 1/2"-sleutel de bouten en ringen waarmee de rechter dekpoelie is bevestigd op de spil. Verwijder de poelie niet.
6. Breng de nieuwe aandrijfriempoelie aan bovenop de huidige dekpoelie en breng afstandsstukken (E) ertussen aan. Gebruik een 1/2"-sleutel om de drie 2-1/2"-bouten en veerringen op de bovenkant van de poelie vast te zetten. Zie de afbeelding.
7. Plaats de maaidekriem terug.



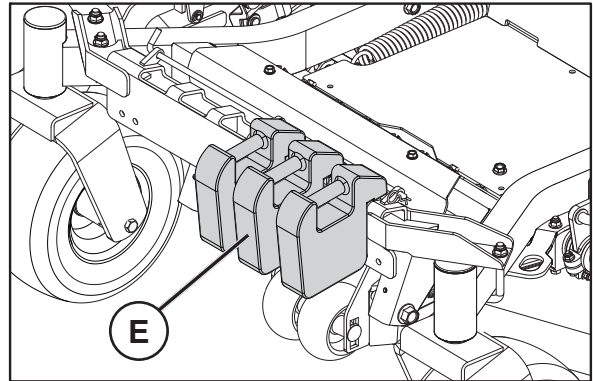
CONTRAGEWICHTEN MONTEREN

OPMERKING: De 48"-aandrijfset bevat gewichtsplaten en bevestigingsmaterialen die niet nodig zijn. Gooi weg en gebruik de contragewichten die bij het opvangsysteem zijn inbegrepen.

1. Breng de contragewichtmontagesteun (A) aan op het voorste frame tussen de wielen. Bevestig de U-bouten (B) onder het frame en omhoog door de uiteinden van de steun. Bevestig de U-bouten met de meegeleverde moeren.
2. Verwijder de houder (C) uit de vergrendelingsstang (D) en schuif de stang uit de steun.



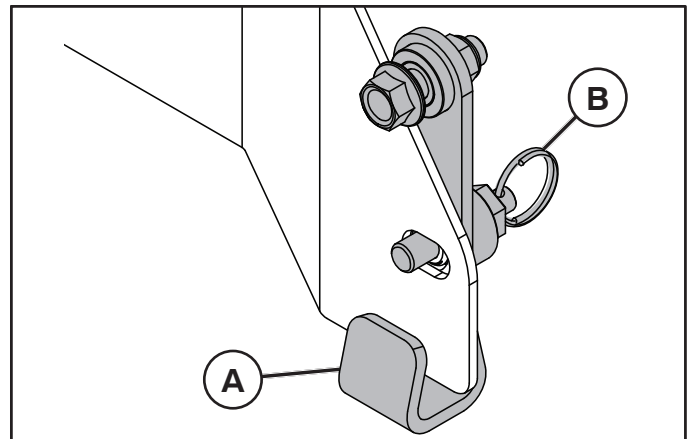
3. Zet de drie contragewichten (E) in de montagesteun en laat de sleuven aan de rechterkant open.



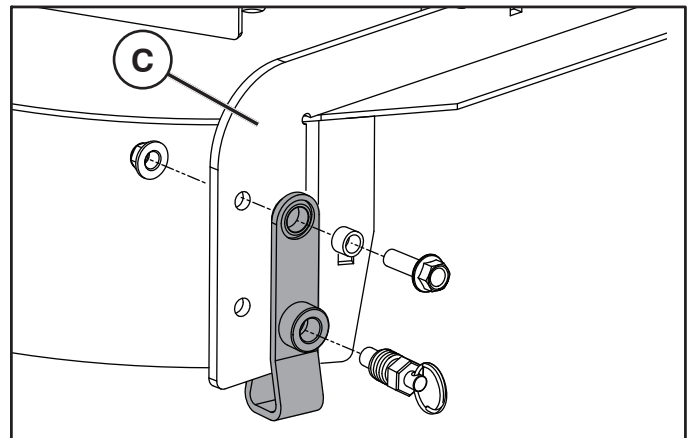
4. Breng de vergrendeling weer aan en zet deze vast met de houder.

BLAZERENHEID BEVESTIGEN

1. Lokaliseer de onderste achterste vergrendeling (A) die op de bevestigingsbeugel van de blazereenheid is bevestigd. Trek aan de veerbelaste pen (B) zodat het geheel vrijkomt van de blazer.



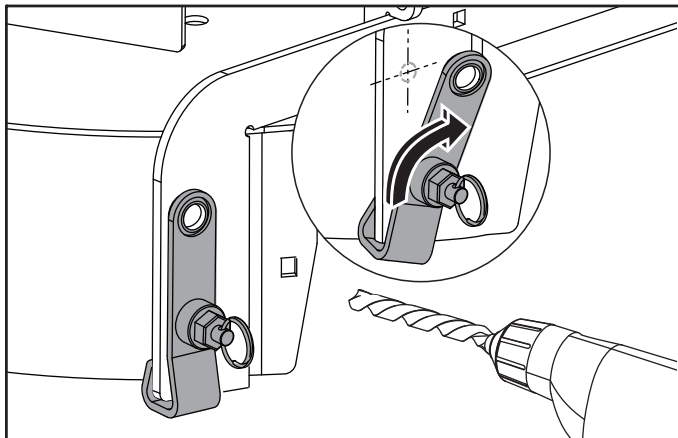
2. De vergrendeling zal opnieuw worden bevestigd aan de dekuitworplens (C) in het midden van het dek. Bevestig de vergrendeling via de bovenste opening aan de buitenkant van de dekflens. Bevestig de veerbelaste pen in de onderste opening.



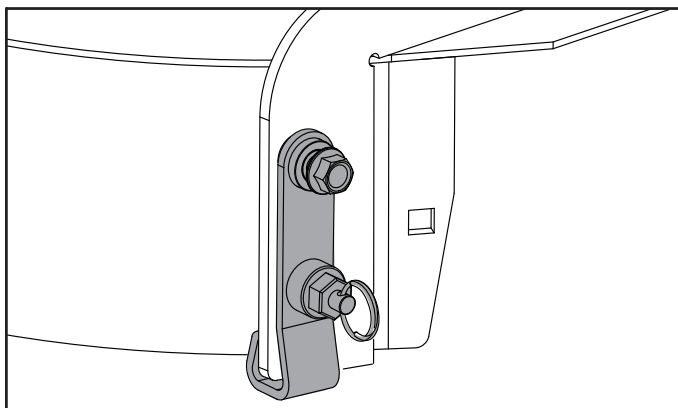
MONTEREN

OPMERKING: bij oudere modellen dekken moet de bovenste opening mogelijk in het dek worden geboord

3. Bevestig de vergrendeling op het dek met de veerbelaste pen en verstel de vergrendeling verticaal op de flens. Markeer de locatie van het tweede gat en draai de steun uit de weg. Boor een opening van 7/16" (1,11 cm) bij het merkteken.

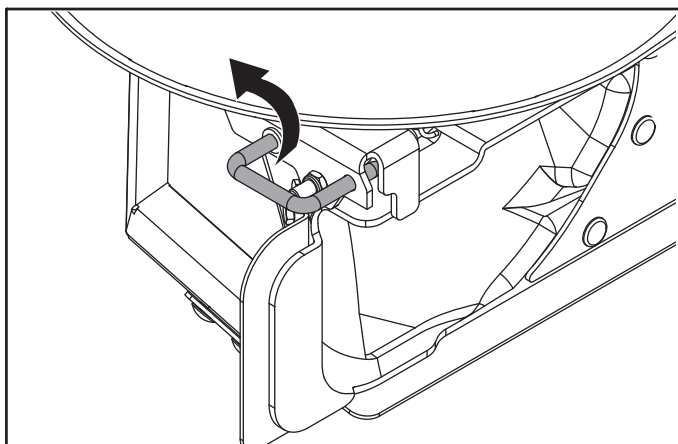


4. Zet de vergrendeling op zijn plaats en bevestig de vergrendeling aan de bovenste opening met de bout, het afstandsstuk en de moer.



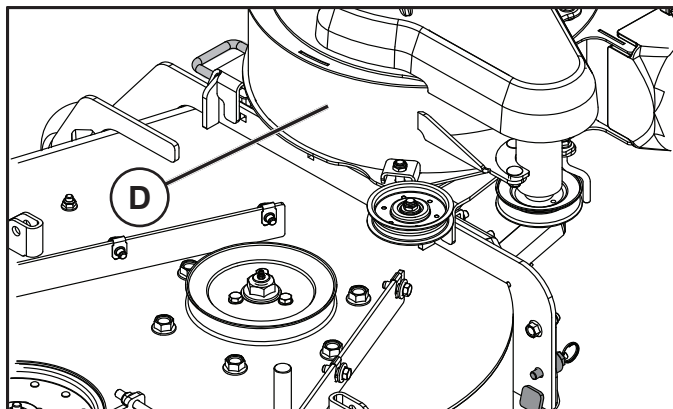
OPMERKING: de vergrendeling kan op het dek aanwezig blijven wanneer het blazeropvangsysteem niet wordt gebruikt.

5. Schuif de pennen eruit en draai ze naar boven richting de bovenste behuizing.



6. Zet de blazer (D) op het dek met de montagesleuven over de uitworpmontagelippen heen.

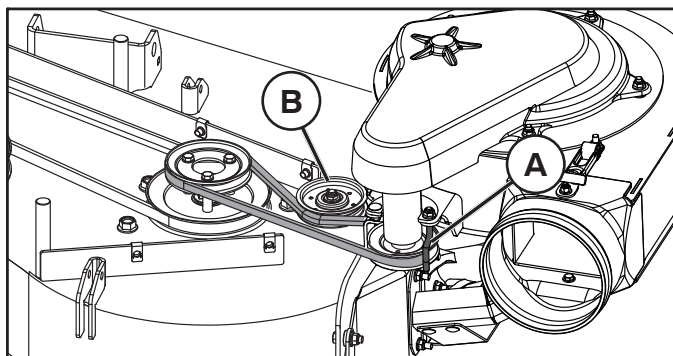
7. Draai de borgpen weer omlaag en zorg dat deze door de voorste uitworpmontagesteun van het dek loopt.
8. Trek aan de veerbelaste pen en draai de onderste achterste vergrendeling totdat de pen door de blazer montagesteun en de dekflens past.



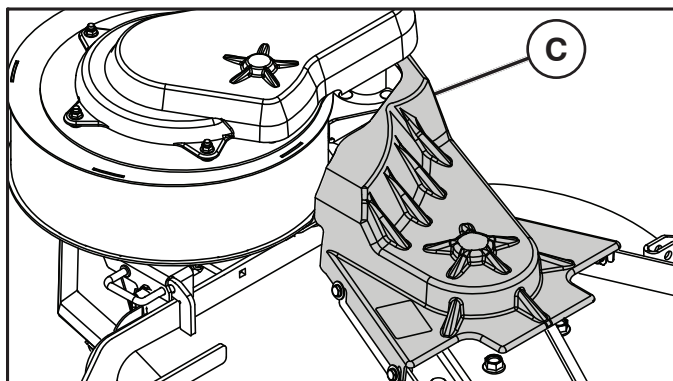
AANDRIJFRIEM MONTEREN

1. Monteer de aandrijfriem rond de poelie op de blazer.
2. Draai de riemhouder (A) tot binnen 1/8" van de blazerpoelie en draai vast met een sleutel van 1/2".
3. Draai de blazerspanrol (B) richting de voorkant van de blazer en breng de riem aan over de dekpoelie. Bekijk de afbeelding voor het juiste traject van de band.

OPMERKING: het kan nodig zijn om de vergrendelpennen los te maken en de blazer te draaien zodat u de aandrijfriem eenvoudiger kunt aanbrengen. Breng de vergrendelpennen weer aan nadat u de riem hebt aangebracht.



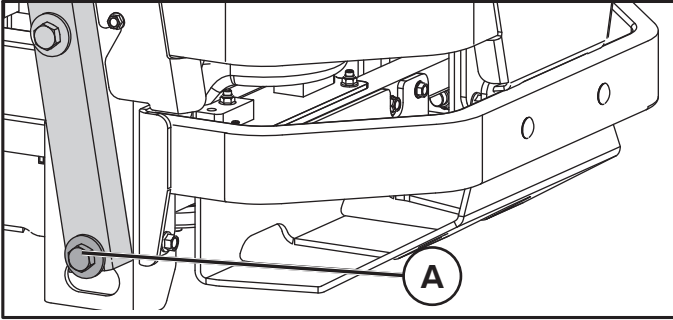
4. Plaats de riemkap (C) van het dek van de aandrijfkit over de dekpoelies en plaats de bevestigingsmaterialen van de bescherming van het dek opnieuw.



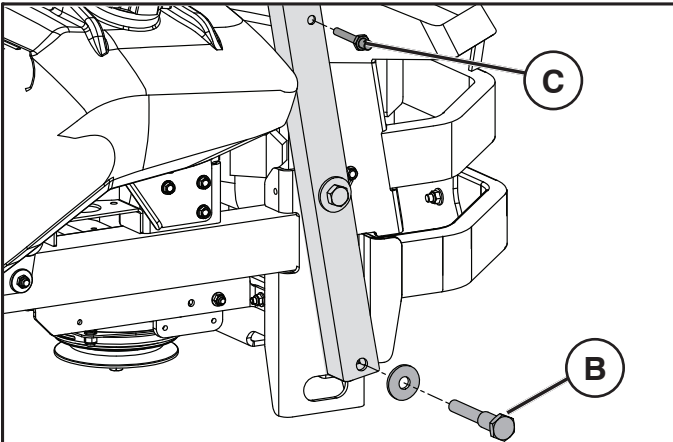
MONTEREN

OPVANGBAK MONTEREN

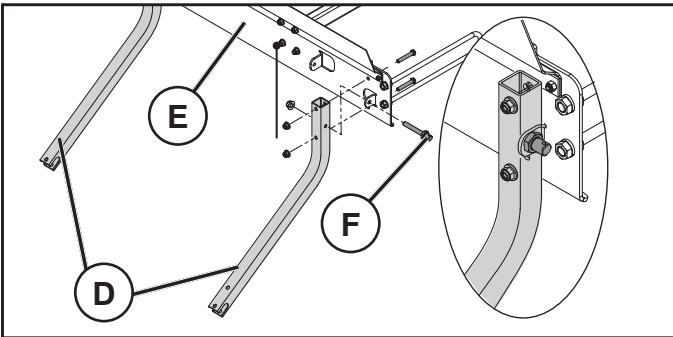
1. Gebruik twee sleutels van 15/16" en verwijder de onderste bouten (A) van het kantelbeveiligingssysteem. Bewaar de ring en moer voor de volgende stap.



2. Breng aan weerszijden een koppelpen (B), ring en moer aan waar de bout van het kantelbeveiligingssysteem is verwijderd. Draai de koppelpennen en moeren vast met sleutels van 15/16" en 1-1/4".
3. Breng de montagepennen (C) aan door de kantelbeveiligingssysteembuis in de voorgeboorde gaten ongeveer 18" vanaf de onderkant van de kantelbeveiligingssysteembuis. De pen loopt van buiten naar binnen, zodat de schroefdraad aan de binnenkant van de buis zit. Zet elke zijde vast met moeren en draai ze vast met sleutels van 3/4" en 9/16".



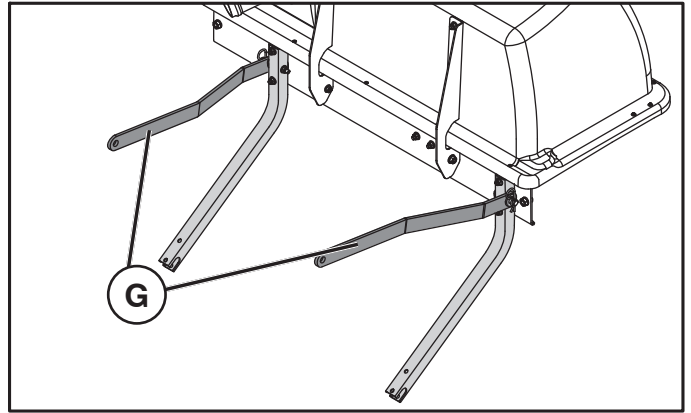
4. Bevestig de koppelstangen (D) aan het koppelsysteem (E) met 2-1/4"-bouten en -moeren zoals afgebeeld. Zet vast met 9/16"- en 3/4"-sleutels. Breng montagepennen (F) aan door de koppelstangen en het koppelsysteem en zet ze vast met bouten.



5. Bevestig de banden (G) aan de eerder gemonteerde montagepennen op de kap.

Opmerking: de korte zijde van de banden zijn bevestigd aan het uiteinde van de kruisplaat met de hoek van de banden naar binnen.

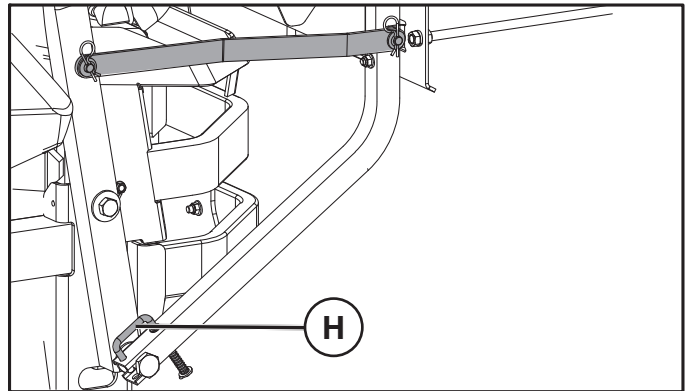
6. Bevestig de banden in de montagepennen met ringen en bevestigingen.



7. Met de motorkap/het koppelsysteem achter de maaier plaatst u het onderste sleufgedeelte van de koppelstangen over de koppelingsspennen aan de onderkant van de kantelbeveiliging.

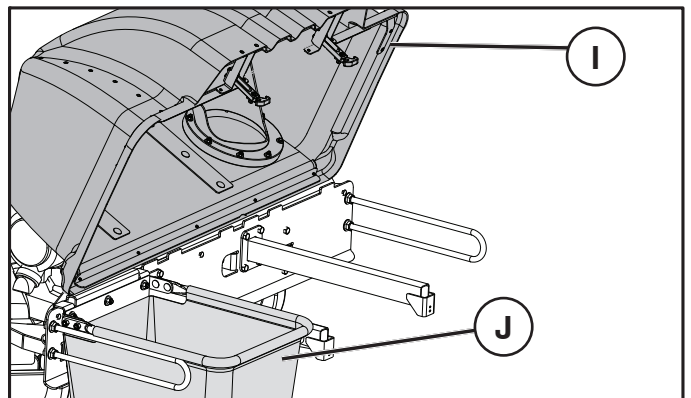
Opmerking: zorg ervoor dat de borgpen (H) over de voorkant van de koppelstangen is gehaakt.

8. Til de achterkant van de motorkap omhoog en bevestig de vrije uiteinden van de banden aan de bovenste pennen in de kantelbeveiliging. Zet ze vast met ringen en bevestigingen.



9. Ontgrendel de kapvergrendelingen (I) van de motorkap en open de motorkap. Als de motorkap niet open blijft, draait u de kapscharnierbouten licht aan.

10. Monteer opvangzakken (J) en sluit en vergrendel de kap.



11. Bevestig de slang tussen de kap en de blazereenheid.

ONDERHOUD

Transport



VOORZICHTIG! De trechter van het opvangsysteem moet volledig leeg zijn en alle drie contragewichten moeten zijn gemonteerd wanneer u vooruit rijdt op een aanhanger. Als de maaier op een aanhanger moet worden geplaatst terwijl er nog vuil in de trechter zit, moet de maaier achteruit op de aanhanger worden gereden om het kantelen te voorkomen.



VOORZICHTIG! Vervoer de maaier niet met de contragewichten aan de montagesteun bevestigd. Verwijder de contragewichten als de maaier zich op de aanhanger bevindt. Bevestig de gewichten afzonderlijk aan de aanhanger.

- De machine is zwaar en kan ernstig letsel door pletten veroorzaken. Wees extra voorzichtig als de machine op een voertuig of aanhanger wordt gezet of van een voertuig of aanhanger wordt gehaald.
- Gebruik een goedgekeurde aanhanger om de machine te vervoeren. Schakel de parkeerrem in, schakel de brandstofvoevoer uit en bevestig de machine met goedgekeurde bevestigingsvoorzieningen, zoals banden, kettingen of riemen.
- Controleer de plaatselijke verkeersregels voordat u de machine op de weg vervoert en houd u aan de verkeersregels.
- Plaats de machine alleen op een vrachtwagen of aanhanger door hem langzaam via een helling die sterk genoeg is omhoog te rijden. Til de machine niet op! De machine is niet bedoeld om met de hand te worden opgetild.
- Bij het laden en lossen van de machine mag de maximaal aanbevolen bedieningshoek van 100 niet worden overschreden.

Onderhoudsschema

ITEM	VOOR ELK GEBRUIK	ELKE 5 UREN	ELKE 25 UREN	ELKE 50 UREN
Polyester net controleren/reinigen	X	X		
Alle moeren en bouten controleren/vastdraaien	X			
Slangen controleren/vastdraaien	X			
Uiteinde van slang wisselen			X	
Slang draaien				X
Machine schoonmaken				X

Problemen oplossen

Probleem	Mogelijke oorzaak
Verlies van vacuüm	Slang of kapinlaat zit verstopt
	Bak zit vol
	Polyester net verstopt
Ongebruikelijke trillingen of geluid	Massief object blokkeert eenheid
	Losse of ontbrekende bouten
Machine kan moeilijk worden gesloten	Obstakels verhinderen dat het luik volledig sluit
	Kapscharnierbouten zijn te strak aangedraaid

Verzorging van slangen

1. Controleer slangen voor elk gebruik. Vertonen slangen overmatige slijtage, scheuren of lekken, vervang ze dan onmiddellijk.
2. U kunt de levensduur van de slang verlengen door de slang regelmatig te draaien en de uiteinden van de slang te wisselen. Raadpleeg het Preventieve onderhoudsschema in deze handleiding.
3. Voor minder slijtage moet u voorkomen dat de slangen worden gedraaid of geknikt.
4. Voorkom dat de onderste slang tegen de zijkant van gebouwen of andere harde oppervlakken aanschuurt.

Reinigen

Door regelmatig te reinigen, wassen en smeren wordt de levensduur van de machine verlengd.

OPMERKING: wees voorzichtig met hogedrukreinigers om schade aan de plaatjes te voorkomen. **GEBRUIK VOOR REINIGING EEN WATERDRUK DIE NIET HOGER IS DAN 1000 PSI**

Reinig het polyester net regelmatig voor de beste resultaten. Het polyester net op het opvangsysteem bevindt zich aan de binnenkant van de trechterkap.

1. Schakel de motor uit.
2. Maak de twee rubberen lipjes onder de achterkant van de kap los. Open de kap en veeg vuil aan beide zijden weg.
3. Sluit de kap en vergrendel deze opnieuw.

GEBRUIK HET OPVANGSYSTEEM NIET ZONDER DAT HET POLYESTER NET STEVIG OP ZIJN PLAATS ZIT.

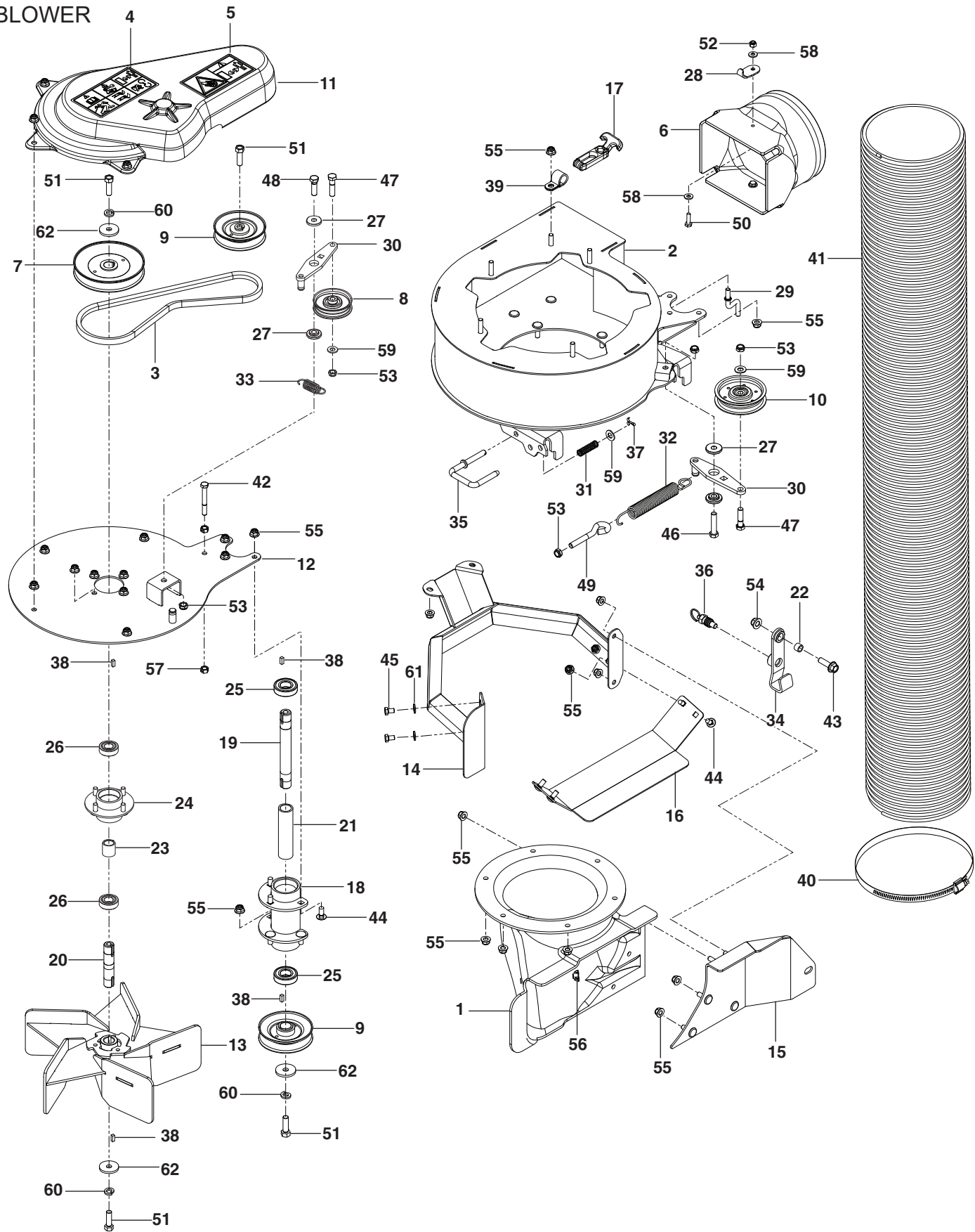
Opslag

Wanneer de grasopvangbak langdurig wordt opgeborgen, moet u deze grondig schoonmaken en al het vuil, gras, bladeren etc. verwijderen. Werk alle krassen bij met een lakstift.

Bewaar de machine op een schone, droge plaats. Bedekt of overdekte opslag wordt aanbevolen.

REPAIR PARTS

BLOWER



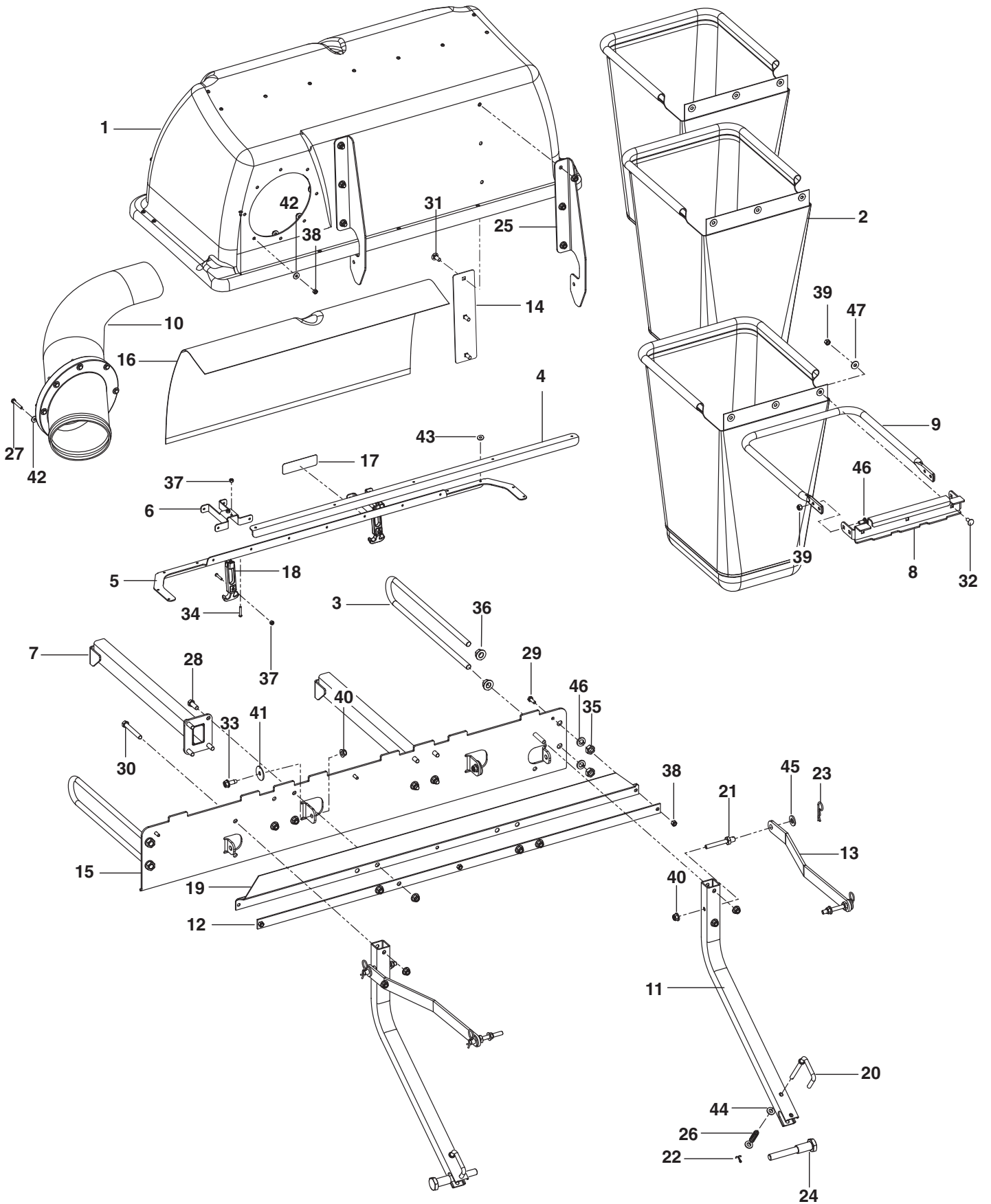
REPAIR PARTS

ITEM PART NO.	QTY.	DESCRIPTION	ITEM PART NO.	QTY.	DESCRIPTION
1.....522 59 33-01 ... 1	HOUSING, BLOWER LOWER	33.....522 59 51-01 ... 1	SPRING, IDLER
2.....585 85 60-02 ... 1	HOUSING, BLOWER UPPER	34.....585 37 65-01 ... 1	LATCH, RR LOWER
3.....539 10 13-86 ... 1	BELT	35.....586 08 22-01 ... 2	PIN, LATCH
4.....539 10 57-85 ... 1	DECAL, WARNING	36.....585 37 68-01 ... 1	PIN, SPRING
5.....539 10 67-41 ... 1	DECAL, IMPELLER	37.....876 02 04-12 ... 2	PIN, COTTER 1/8 x 3/4
6.....585 23 68-02 ... 1	CONNECTOR, HOSE	38.....539 11 56-67 ... 4	KEY 3/16 x 1/2
7.....539 13 03-24 ... 1	PULLEY	39.....539 10 26-85 ... 2	CLAMP, TUBE
8.....539 10 67-21 ... 1	PULLEY, IDLER	40.....574 38 66-01 ... 1	CLAMP, HOSE
9.....522 59 46-01 ... 2	PULLEY, DRIVE	41.....578 25 79-01 ... 1	HOSE
10.....579 60 46-01 ... 1	PULLEY, IDLER	42.....874 78 05-40 ... 1	BOLT 5/16-18 x 2 1/2
11.....585 37 38-01 ... 1	SHIELD, BELT TOP	43.....525 83 42-01 ... 1	BOLT 3/8-16 x 1 1/4 HEX FLANGE
12.....585 37 46-02 ... 1	PLATE, TOP BLK	44.....872 14 05-06 ... 9	BOLT 5/16-18 x 3/4 RDHD
13.....585 58 78-01 ... 1	IMPELLER	45.....874 78 05-08 ... 2	BOLT 5/16-18 x 1/2
14.....585 37 57-02 ... 1	GUARD, BLK	46.....539 97 69-49 ... 1	BOLT 3/8-16 x 1 3/4
15.....585 37 62-02 ... 1	BRACKET, BLOWER RR BLK	47.....874 78 06-24 ... 2	BOLT 3/8-16 x 1 1/2
16.....585 37 64-02 ... 1	SKID PLATE, BLK	48.....874 78 06-20 ... 1	BOLT 3/8-16 x 1 1/4
17.....586 18 47-01 ... 2	LATCH, DRAW T-HANDLE	49.....539 10 74-84 ... 1	EYEBOLT 3/8-16 x 2 1/4 SPEC
18.....522 59 50-01 ... 1	TUBE, SPINDLE	50.....539 99 06-43 ... 2	SCREW 1/4-20 x 7/8 HEX CAP
19.....585 37 54-01 ... 1	SHAFT, SPINDLE	51.....532 85 08-57 ... 4	SCREW 3/8-24 x 1 1/4 HEX HD
20.....585 37 56-01 ... 1	SHAFT, IMPELLER	52.....539 97 69-78 ... 2	NUT 1/4-20 HEX NYLOC
21.....585 37 55-01 ... 1	SPACER	53.....539 20 02-82 ... 5	NUT 3/8-16 HEX NYLON THIN
22.....579 61 33-01 ... 1	SPACER	54.....521 99 65-01 ... 1	NUT 3/8-16 HEX FLG NYLOC
23.....585 37 53-01 ... 1	SPACER	55.....539 11 28-99 ... 38	NUT 5/16-18 HEX FLG NYLOC
24.....585 37 49-01 ... 1	HOUSING, HUB	56.....539 13 03-13 ... 2	NUT 5/16-18 TEE
25.....539 13 02-96 ... 2	BEARING	57.....539 99 01-84 ... 2	NUT 5/16-18 HEX CTRLK
26.....585 37 52-01 ... 2	BEARING	58.....819 09 10-16 ... 4	WASHER
27.....539 13 21-61 ... 4	BUSHING, BRAKE	59.....819 13 13-16 ... 3	WASHER FLAT
28.....586 08 23-01 ... 2	KEEPER, LATCH	60.....810 03 06-00 ... 4	WASHER LOCK HVY 3/8
29.....522 59 52-01 ... 1	KEEPER, BELT	61.....819 11 11-16 ... 2	WASHER 16 GA
30.....522 59 48-02 ... 2	IDLER, BLK	62.....532 14 02-96 ... 4	WASHER, BLADE
31.....525 81 60-01 ... 1	SPRING, COMPRESSION			
32.....532 19 61-05 ... 1	SPRING, DECK DRIVE			

NOTE: ALL FASTENERS ARE GRADE 5 UNLESS OTHERWISE SPECIFIED.

REPAIR PARTS

BAGGER



REPAIR PARTS

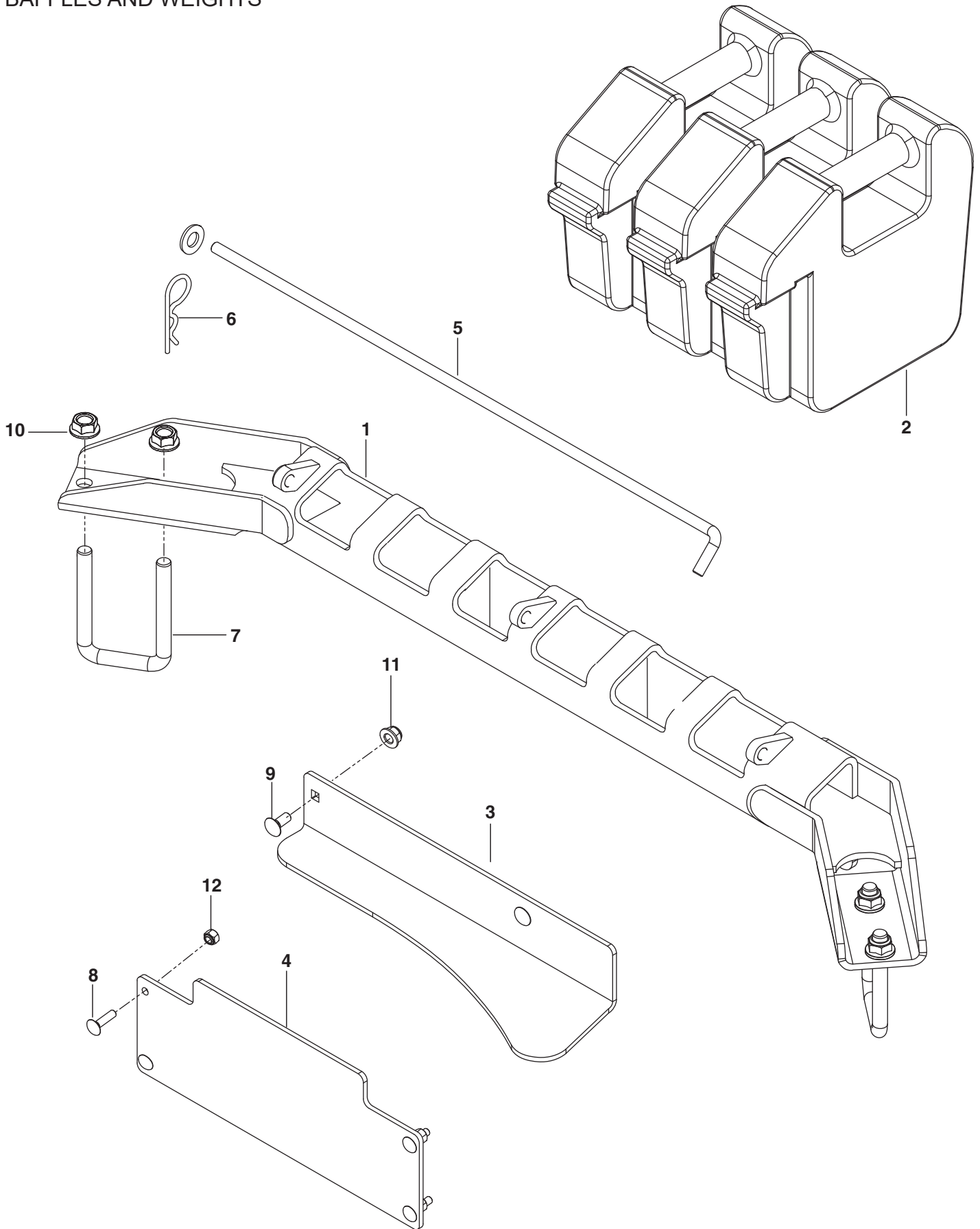
ITEM	PART NO.	QTY.	DESCRIPTION
1.....	539 11 11-72 ...1	HOOD
2.....	539 11 13-00 ...3	BAG, SMALL
3.....	539 11 11-58 ...2	SUPPORT, OUTER
4.....	575 48 68-02 ...1	SUPPORT, HOOD REAR
5.....	539 11 11-74 ...1	SUPPORT, HOOD
6.....	539 11 11-75 ...2	SUPPORT, DRAW LATCH
7.....	539 11 11-62 ...2	ARM, SUPPORT
8.....	575 46 77-02 ...3	HANGER, BAG
9.....	539 11 11-66 ...3	TUBE, BAG FRAME
10.....	539 11 11-82 ...1	TUBE, INLET
11.....	525 44 45-02 ...2	TUBE, HITCH
12.....	539 11 11-71 ...1	STRAP, SEAL
13.....	525 44 49-02 ...2	STRAP
14.....	539 11 11-81 ...2	PLATE, HOOD MOUNT
15.....	525 44 47-02 ...1	PLATE, HITCH MOUNT
16.....	539 11 11-83 ...1	MESH, POLY DIAMOND
17.....	539 11 12-60 ...1	DECAL, VENTILATION
18.....	539 20 04-78 ...2	LATCH, DRAW
19.....	539 11 11-67 ...1	SEAL, RUBBER
20.....	525 81 59-01 ...2	PIN, RETENTION
21.....	525 44 50-01 ...4	PIN, MOUNT
22.....	876 02 04-12 ...2	PIN, COTTER 1/8 x 3/4
23.....	539 97 69-89 ...5	HAIRPIN
24.....	525 44 53-01 ...2	BOLT, PIVOT

ITEM	PART NO.	QTY.	DESCRIPTION
25.....	525 44 54-02 ...2	BRACKET, HINGE
26.....	525 81 60-01 ...2	SPRING, COMPRESSION
27.....	874 78 04-28 ...8	BOLT 1/4-20 x 1 3/4
28.....	874 78 06-16 ...8	BOLT 3/8-16 x 1
29.....	874 78 04-12 ...3	BOLT 1/4-20 x 3/4
30.....	874 78 06-36 ...4	BOLT 3/8-16 x 2 1/4
31.....	872 14 06-08 ...6	BOLT 3/8-16 x 1 RDHD SQNK
32.....	872 14 05-06 ...21	BOLT 5/16-18 x 3/4 RDHD
33.....	817 49 06-16 ...2	BOLT 3/8-16 x 1 THD FRM
34.....	539 11 11-86 ...6	SCREW #10-24 x 11/8 MACH
35.....	873 06 08-00 ...4	NUT 1/2-13 HEX JAM
36.....	539 11 11-87 ...4	NUT 1/2-13 HEX WHIZLK
37.....	539 97 69-77 ...6	NUT #10-24 HEX NYLOC
38.....	873 80 04-00 ...11	NUT 1/4-20 HEX NYLOC
39.....	539 11 28-99 ...21	NUT 5/16-18 HEX FLG NYLOC
40.....	521 99 65-01 ...24	NUT 3/8-16 HEX FLG NYLOC
41.....	539 10 29-98 ...2	WASHER, FRICTION
42.....	819 11 11-16 ...16	WASHER 1/4 FLAT
43.....	539 11 00-33 ...8	WASHER #10 MACH SCR
44.....	819 13 13-16 ...4	WASHER 3/8 SAE FLT
45.....	819 17 17-13 ...4	WASHER 1/2 SAE FLT
46.....	539 99 02-54 ...4	WASHER 1/2 SLW
47.....	539 99 06-92 ...9	WASHER 5/16 FLT

NOTE: ALL FASTENERS ARE GRADE 5 UNLESS OTHERWISE SPECIFIED.

REPAIR PARTS

BAFFLES AND WEIGHTS



REPAIR PARTS

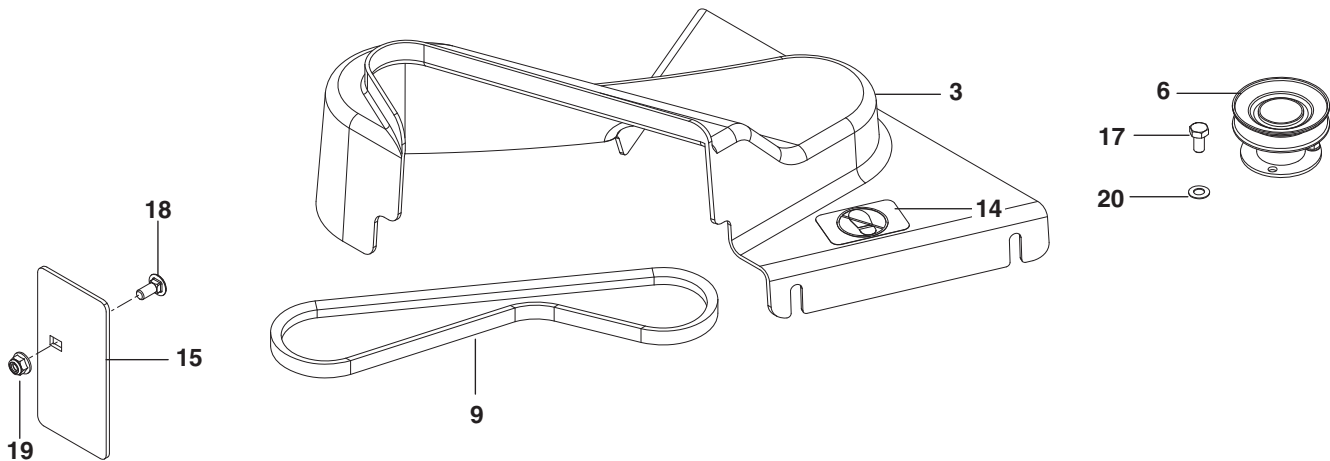
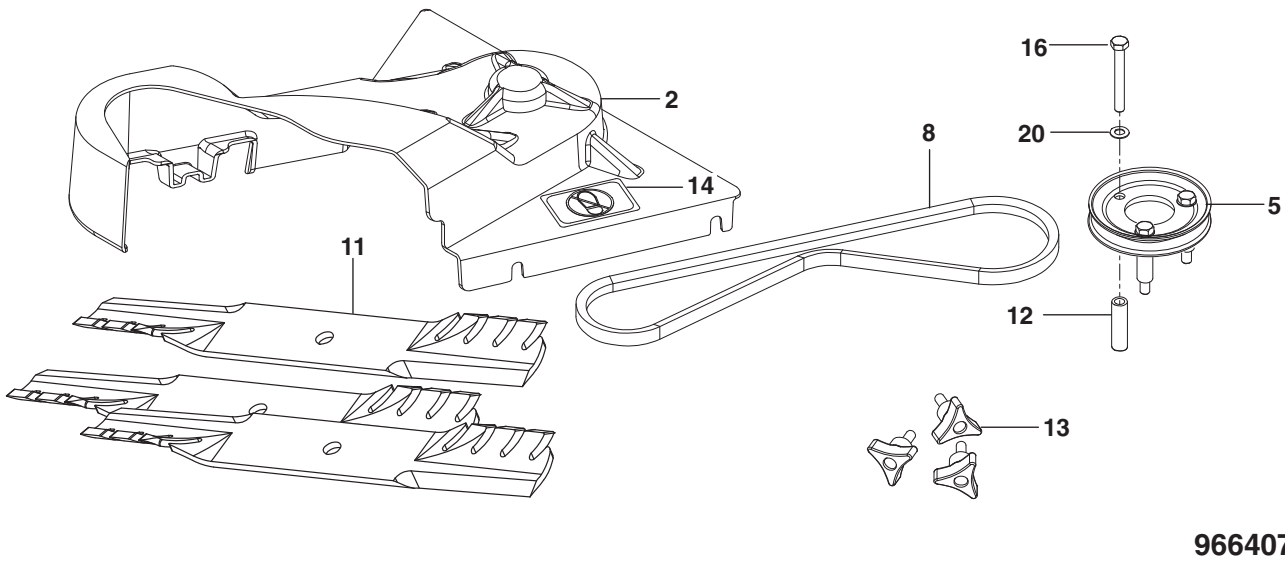
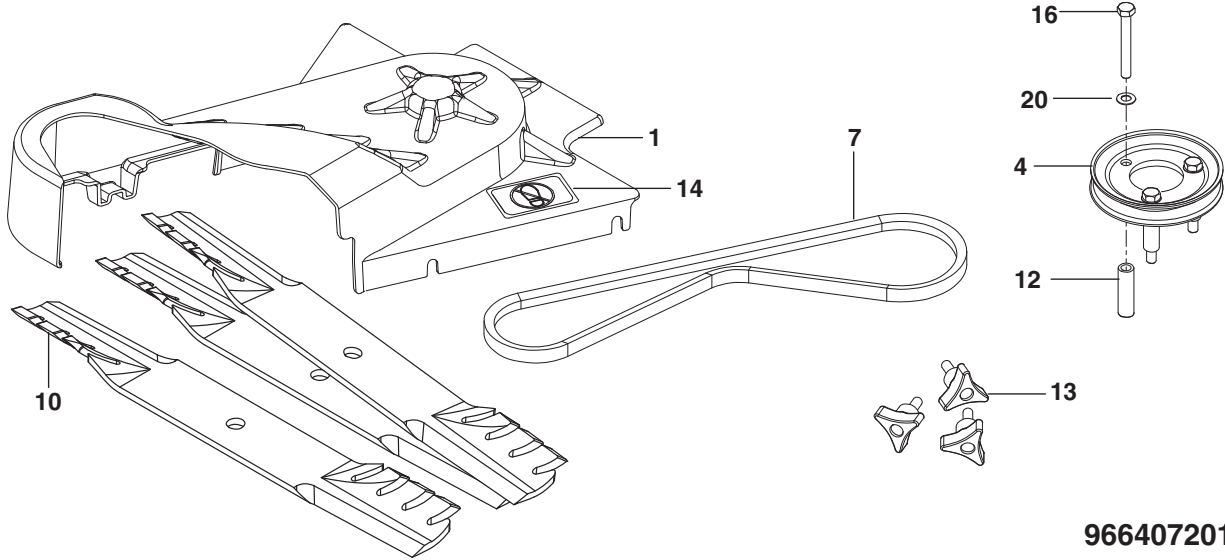
ITEM	PART NO.	QTY.	DESCRIPTION
1.....	579 25 65-02 ...	1	BRACKET, COUNTERWEIGHT
2.....	539 09 25-31 ...	3	COUNTERWEIGHT
3.....	575 59 41-02 ...	1	BAFFLE, RH
4.....	575 59 36-02 ...	1	BAFFLE, LH
5.....	579 25 73-02 ...	1	ROD, LATCH
6.....	539 97 69-89 ...	1	RETAINER

ITEM	PART NO.	QTY.	DESCRIPTION
7.....	579 09 10-02 ...	2	U BOLT
8.....	539 10 98-00 ...	4	BOLT 1/4-20 x 1 RDHD SQNK
9.....	872 14 05-06 ...	2	BOLT 5/16-18 x 3/4 RDHD
10.....	521 99 11-01 ...	4	NUT 1/2-13 HEX FLG NYLOC
11.....	539 11 28-99 ...	2	NUT 5/16-18 HEX FLG NYLOC
12.....	873 80 04-00 ...	4	NUT 1/4-20 HEX NYLOC

NOTE: ALL FASTENERS ARE GRADE 5 UNLESS OTHERWISE SPECIFIED.

REPAIR PARTS

DRIVE KITS



REPAIR PARTS

ITEM	PART NO.	QTY.	DESCRIPTION	ITEM	PART NO.	QTY.	DESCRIPTION
1.....	522 59 58-01	...1 SHIELD, LOWER BELT, 60"	12.....	573 98 27-01	...3 SPACER, PULLEY
2.....	522 59 58-02	...1 SHIELD, LOWER BELT, 54"	13.....	539 10 44-11	...3 KNOB w/ STUD
3.....	581 17 65-01	...1 SHIELD, LOWER BELT, 48"	14.....	539 10 57-43	...1 DECAL, NO STEP
4.....	522 59 45-01	...1 PULLEY, DRIVE, 60"	15.....	525 79 87-01	...1 PLATE, BLOCK OFF
5.....	522 59 45-02	...1 PULLEY, DRIVE, 54"	16.....	539 99 10-46	...3 BOLT 5/16-18 x 2½
6.....	522 59 45-03	...1 PULLEY, DRIVE, 48"	17.....	539 10 83-92	...3 BOLT 5/16-18 x 5/8
7.....	574 21 61-01	...1 DRIVE BELT 60"	18.....	539 99 03-16	...1 BOLT 5/16-18 x ¾ RDHD
8.....	539 10 04-39	...1 DRIVE BELT 54"	19.....	539 11 28-99	...1 NUT 5/16-18 HEX FLG NYLOC
9.....	574 21 60-01	...1 DRIVE BELT 48"	20.....	539 10 96-00	...3 WASHER 5/16 DISC SPRING
10.....	522 93 66-01	...3 BLADE, GATOR 60"				
11.....	525 52 59-01	...3 BLADE, GATOR 54"				

NOTE: ALL FASTENERS ARE GRADE 5 UNLESS OTHERWISE SPECIFIED.

