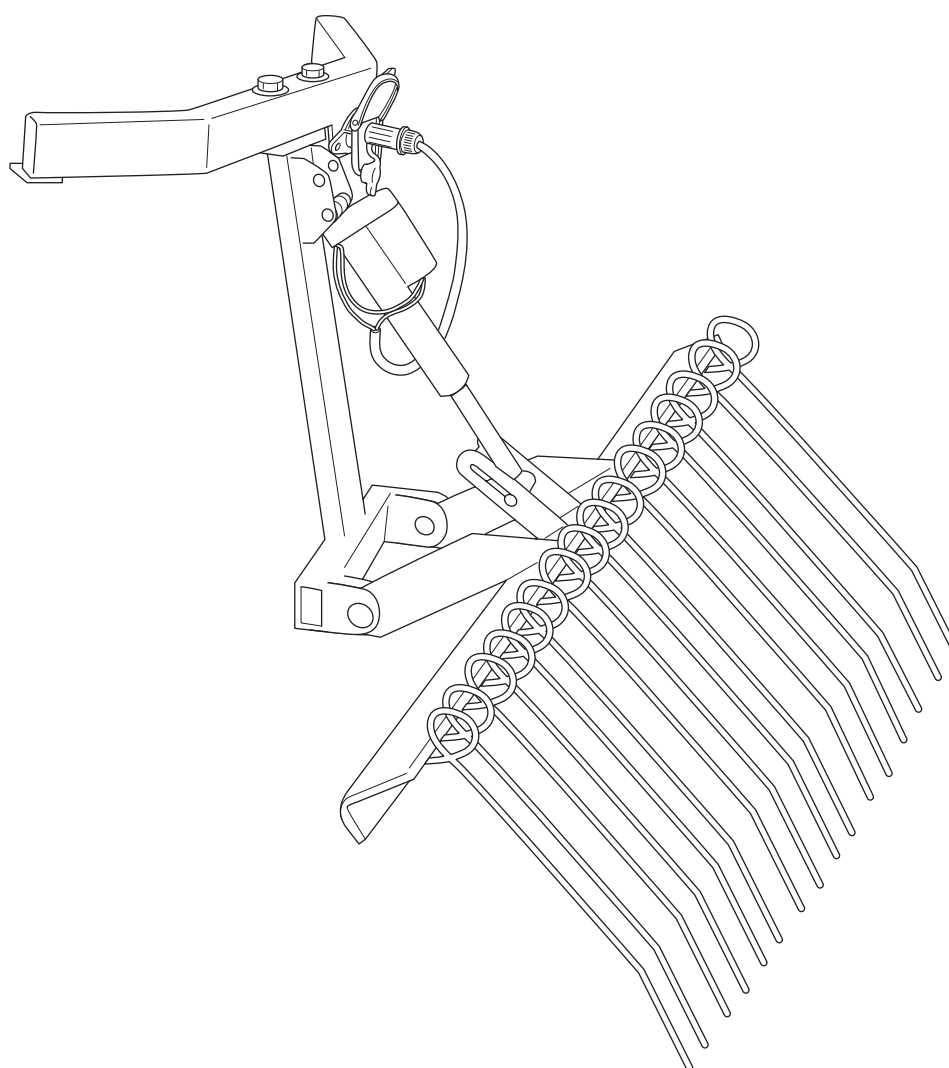


# User manual

# Rake

587 93 25-01

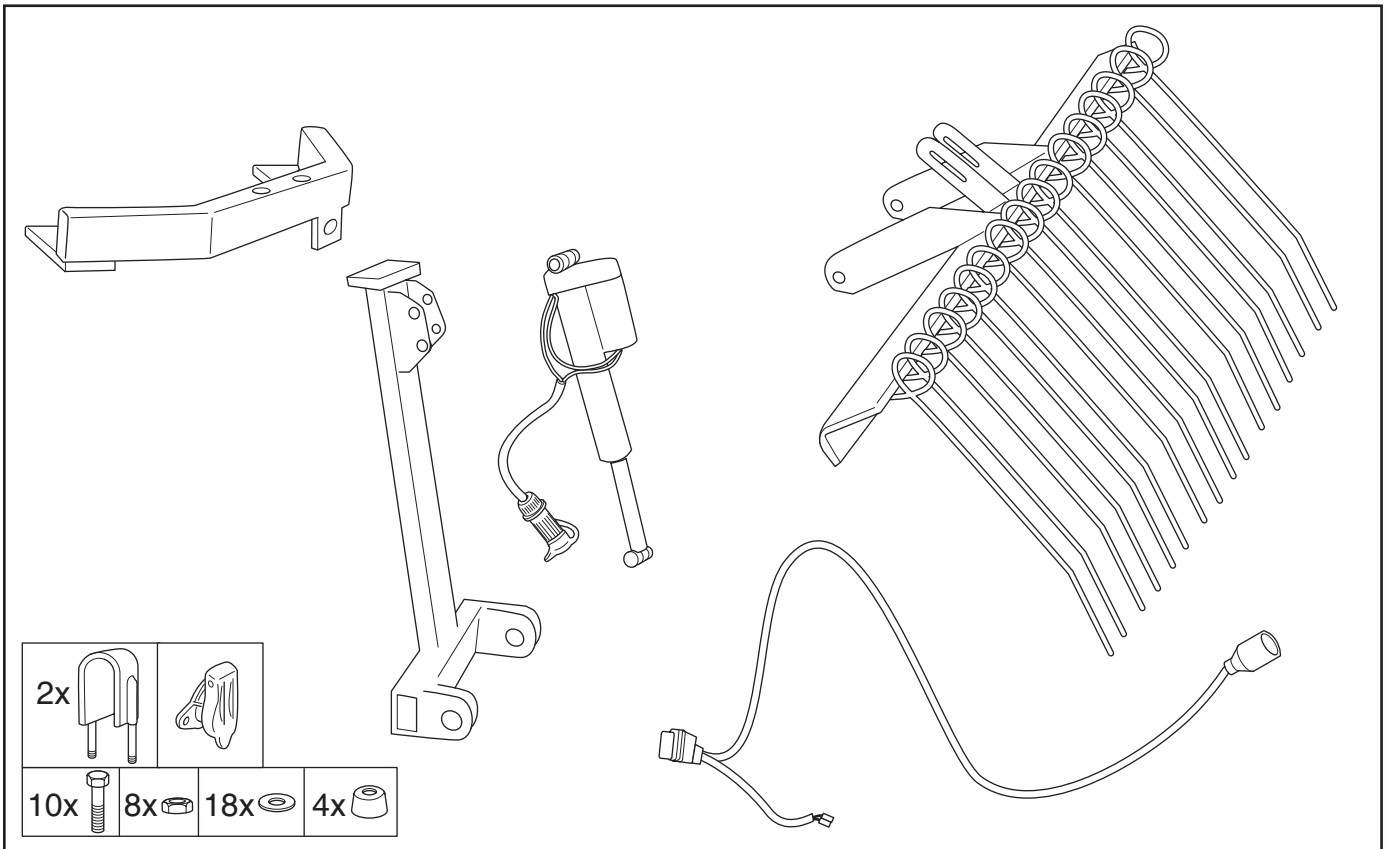
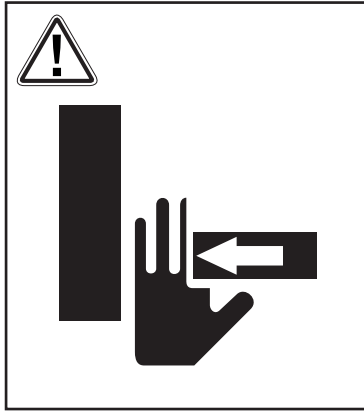
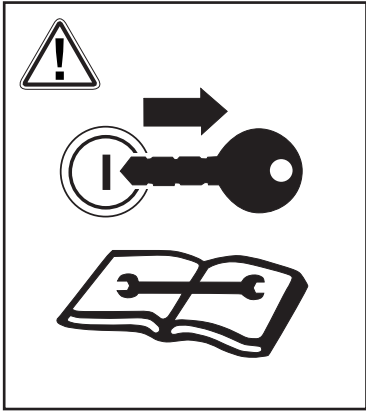
Go through user manual carefully before using this product

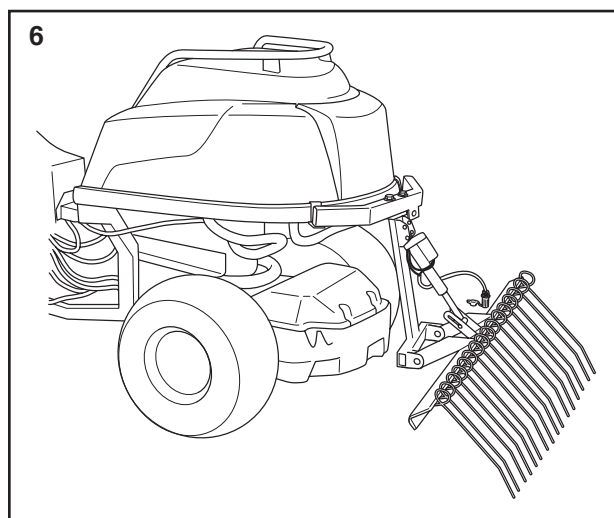
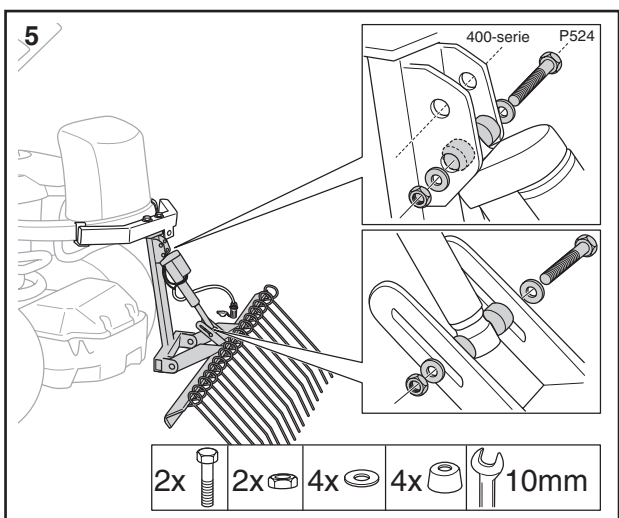
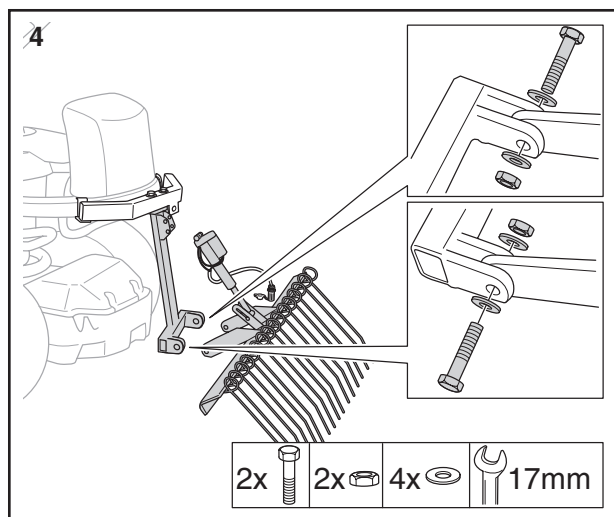
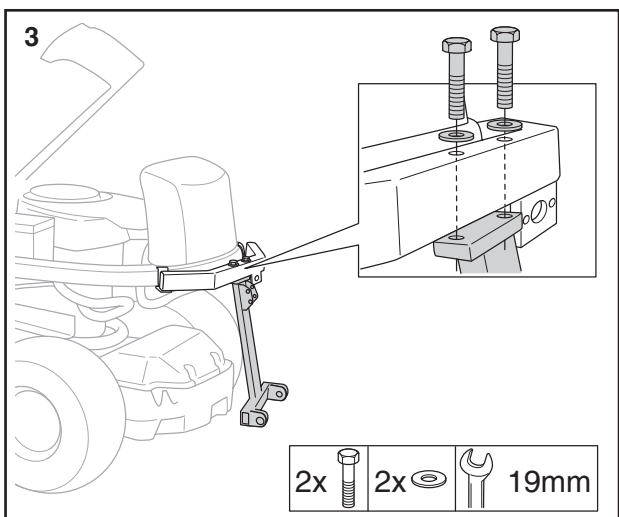
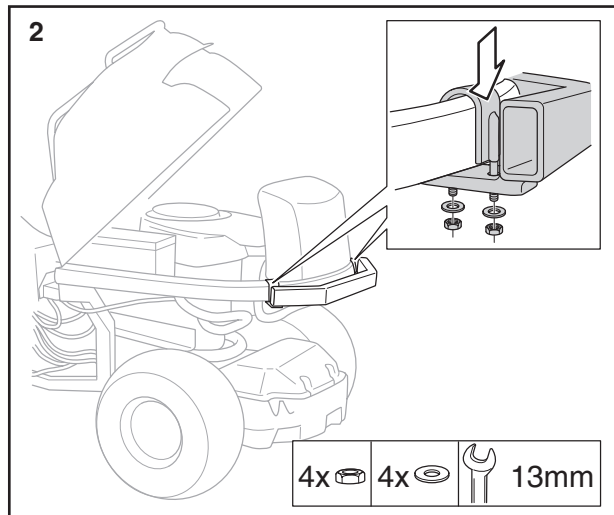
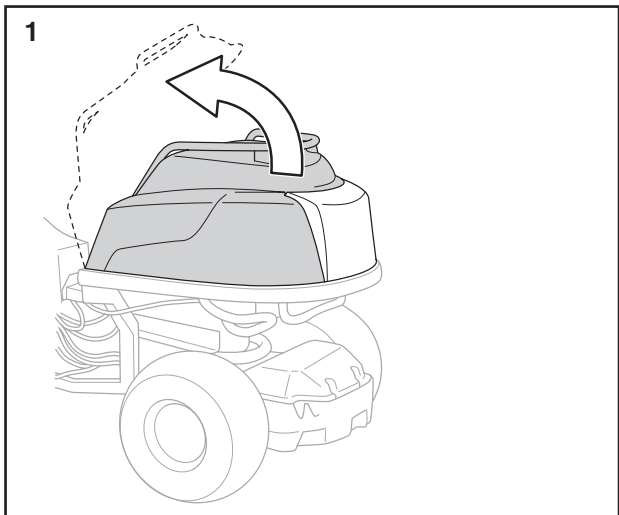


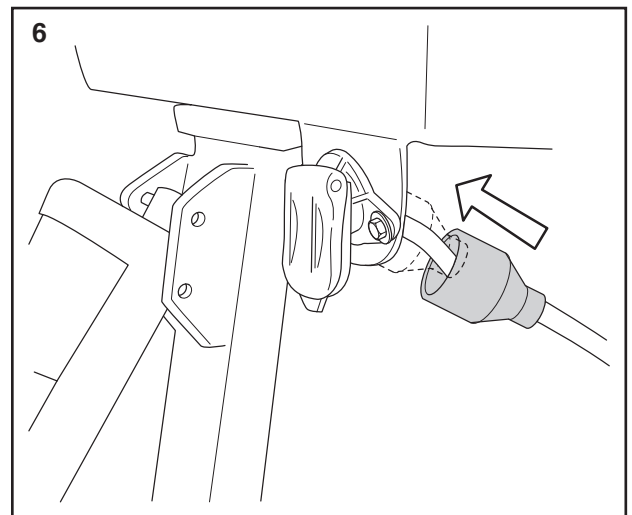
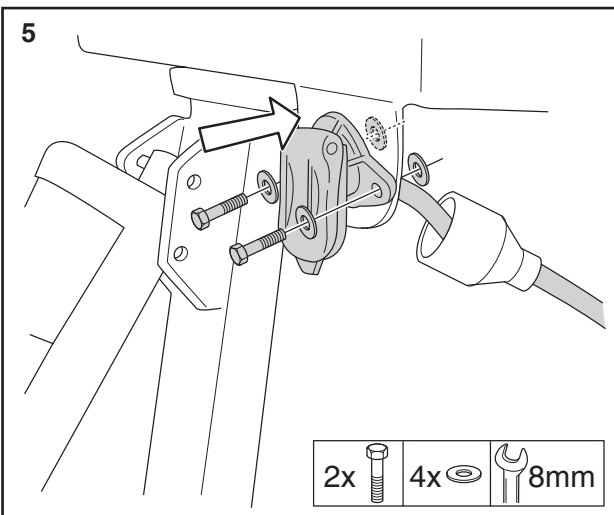
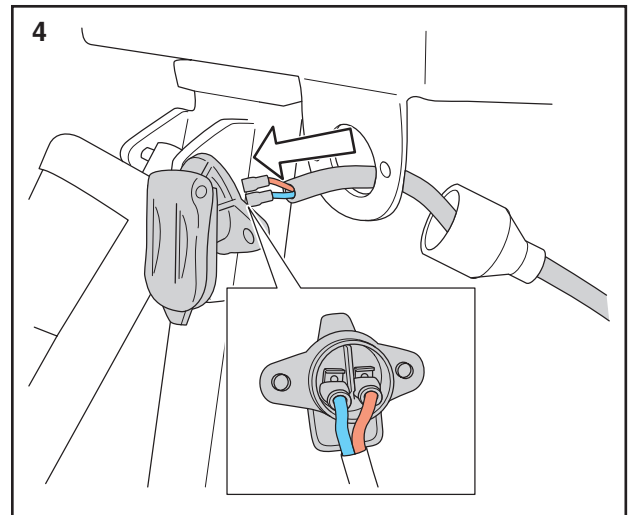
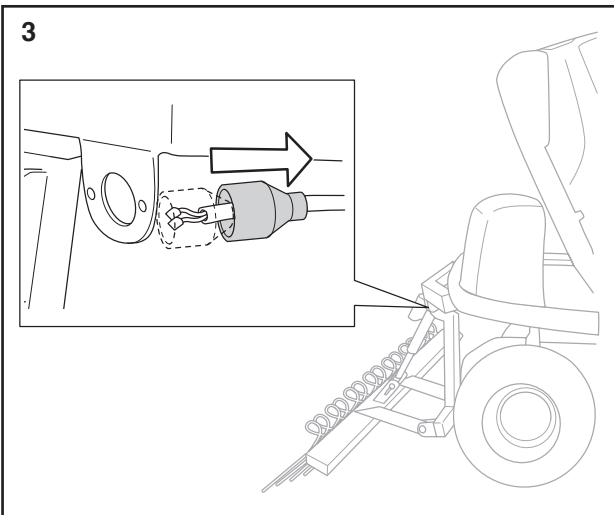
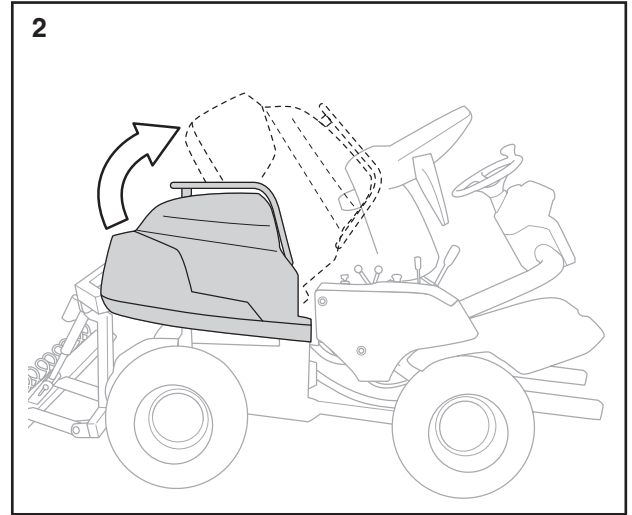
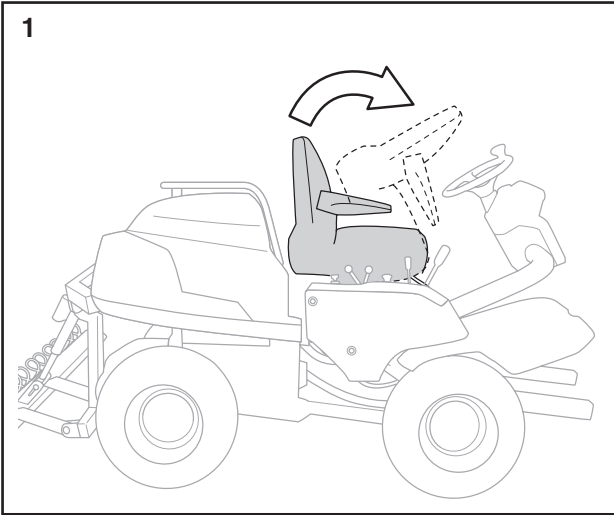
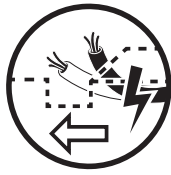
587 93 25-01

P. Olssons i Linderöd AB

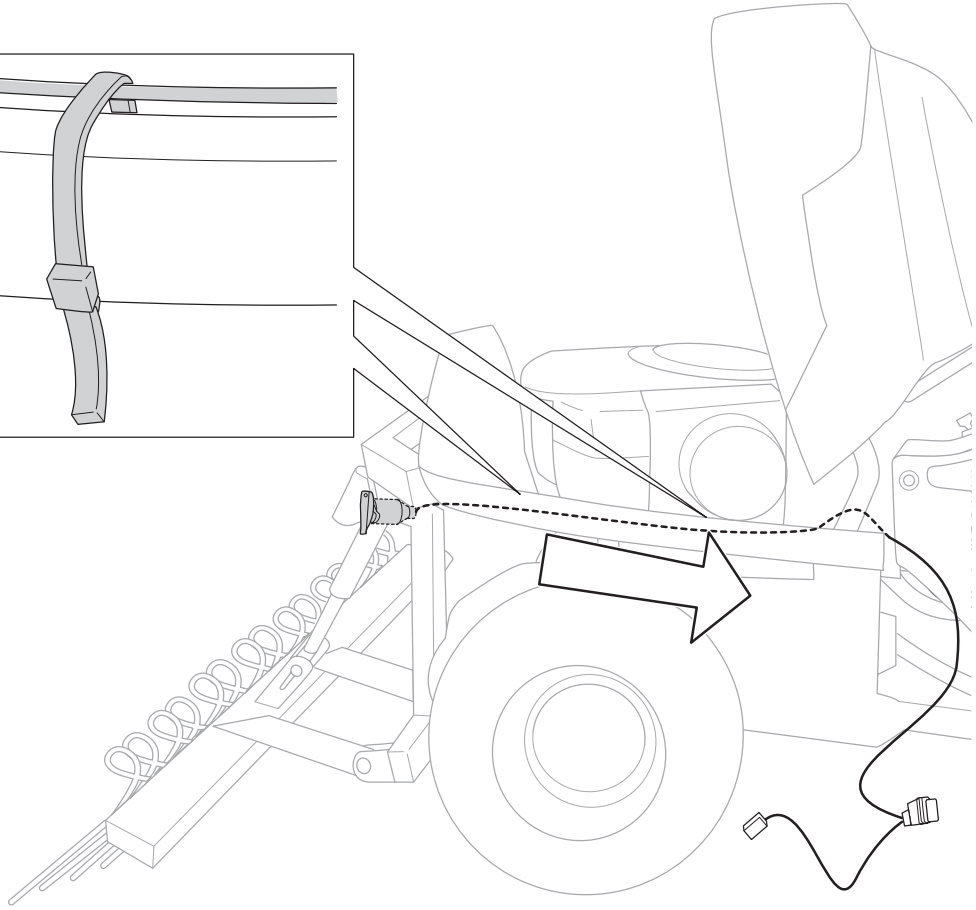
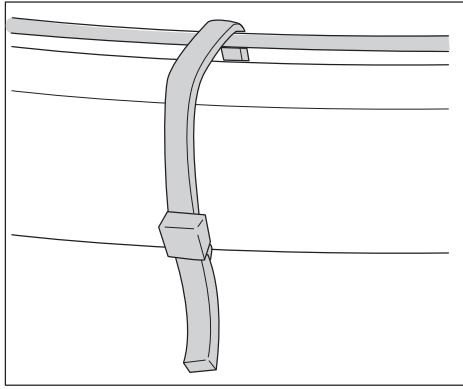


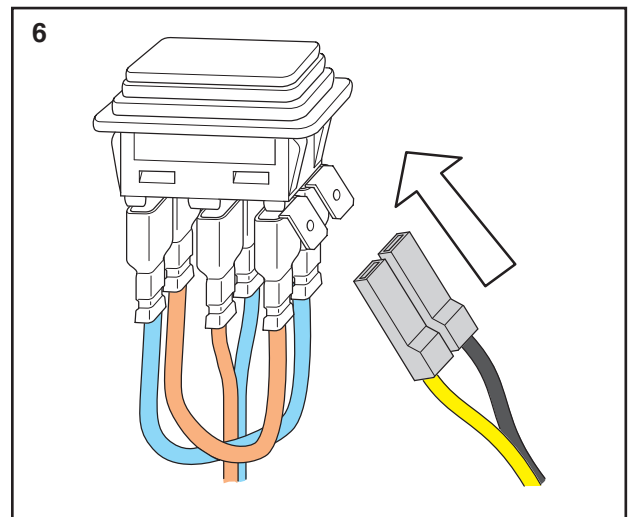
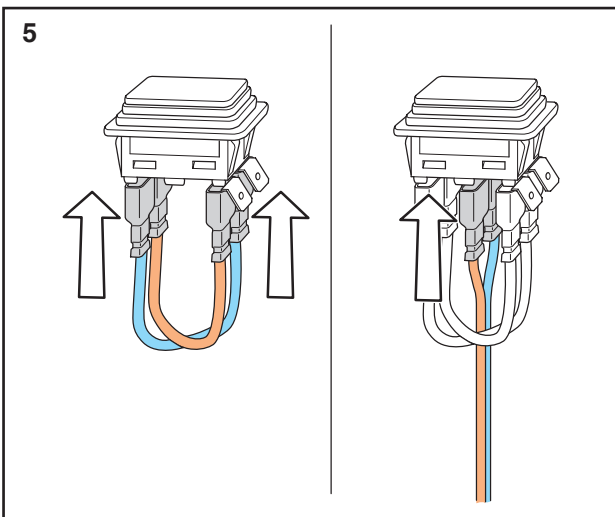
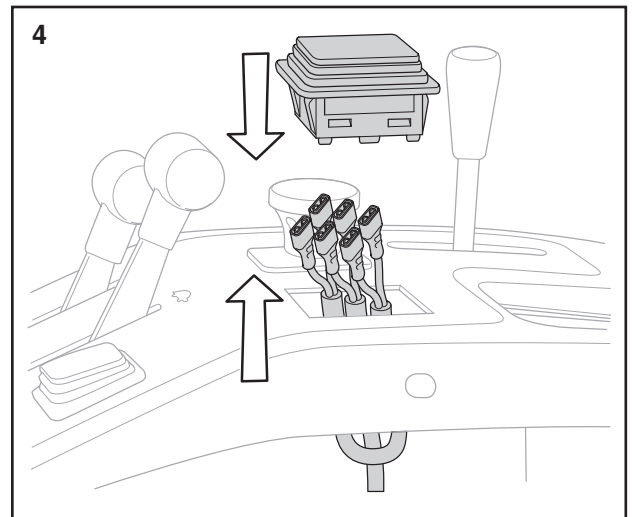
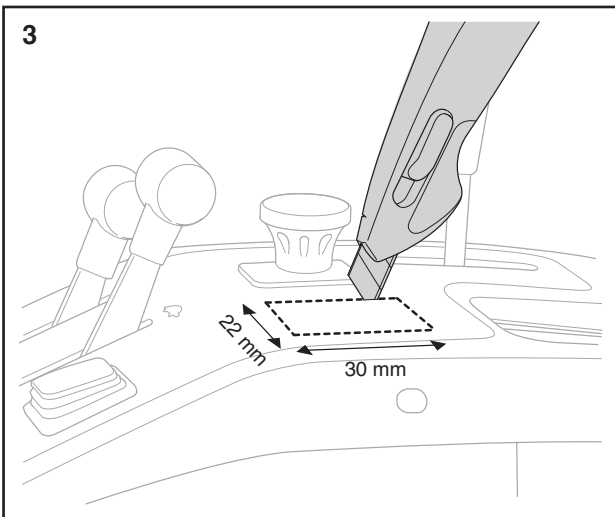
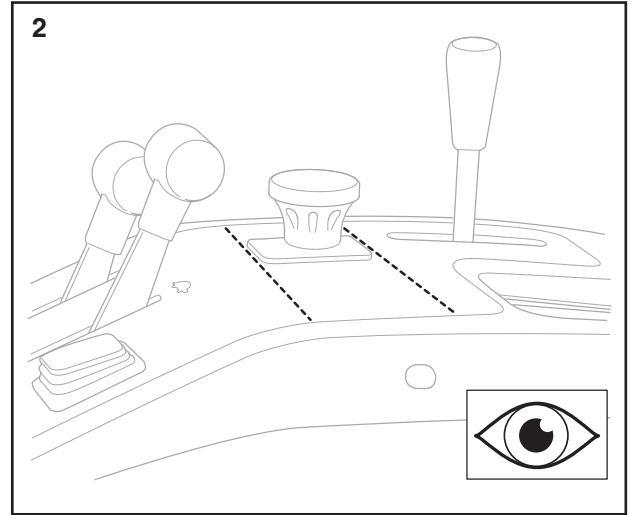
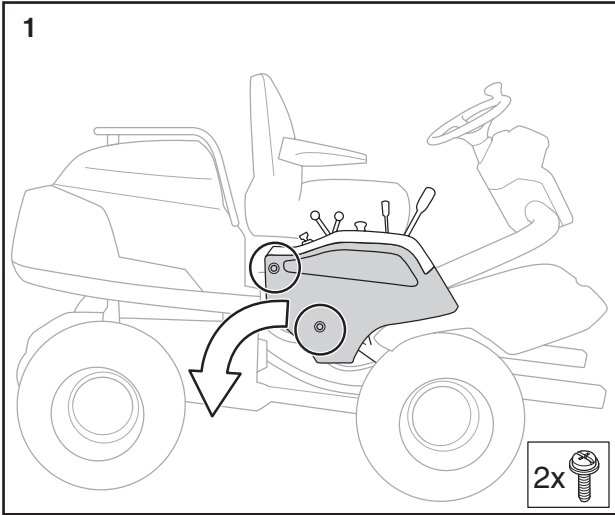


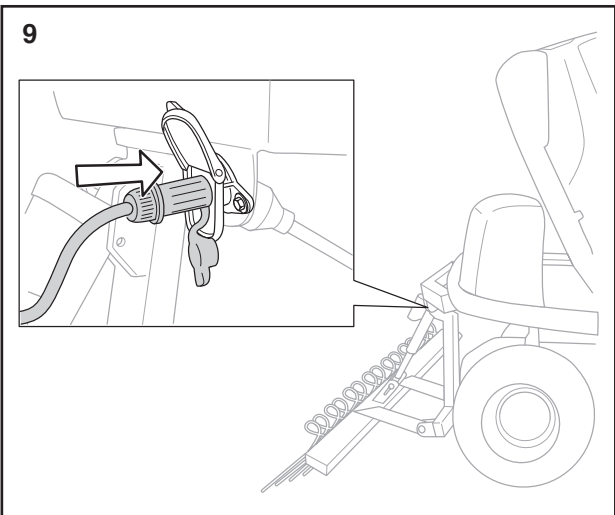
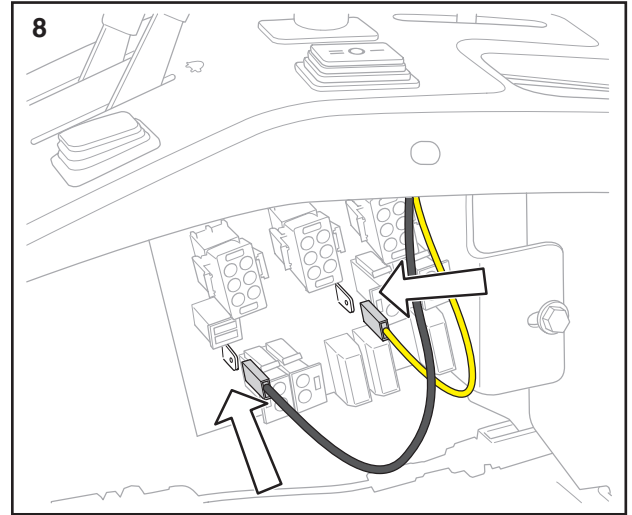
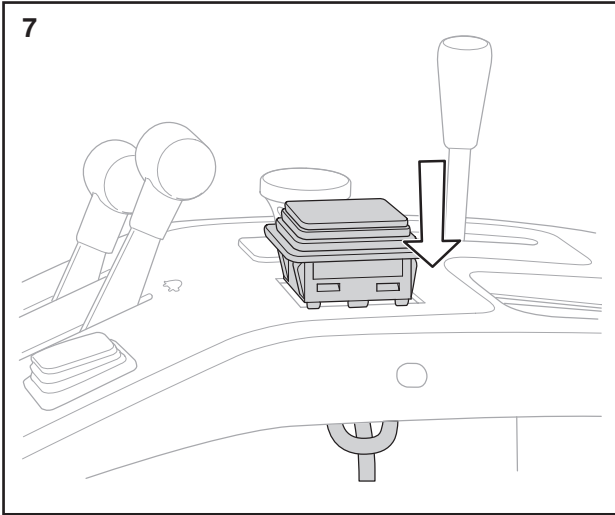




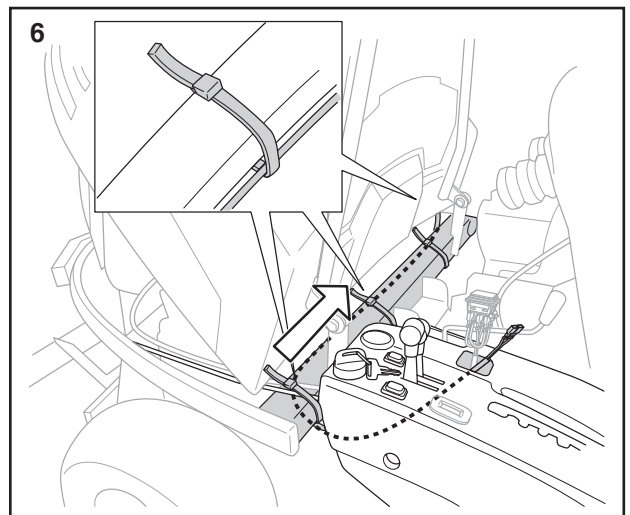
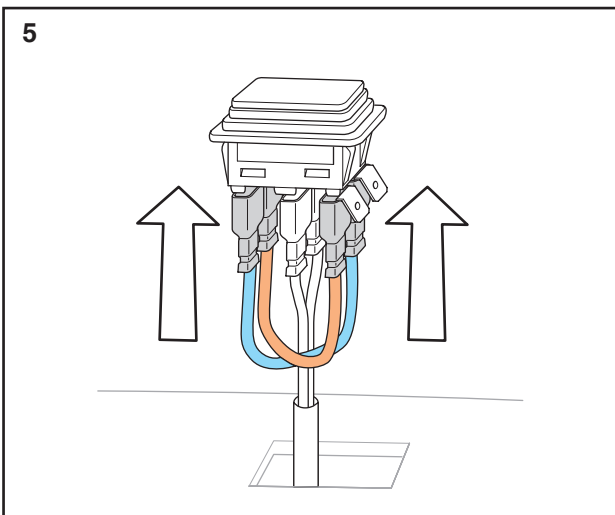
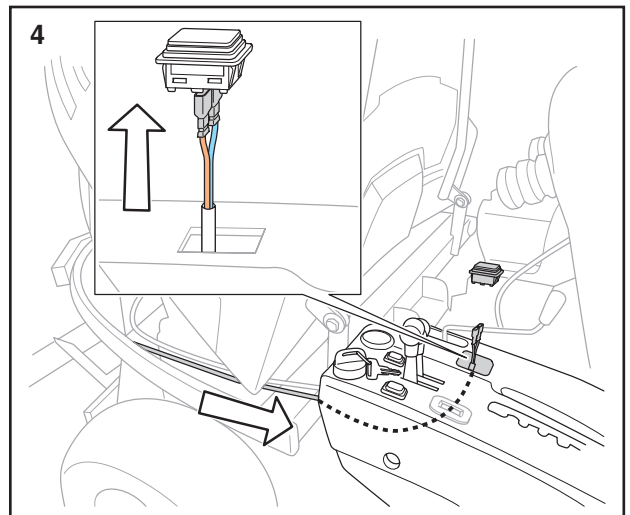
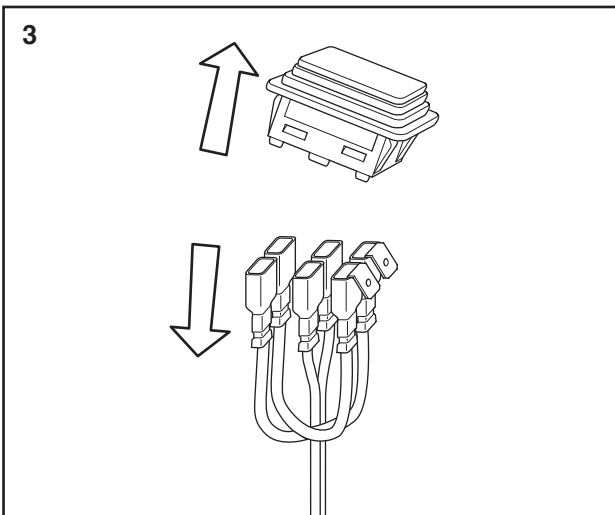
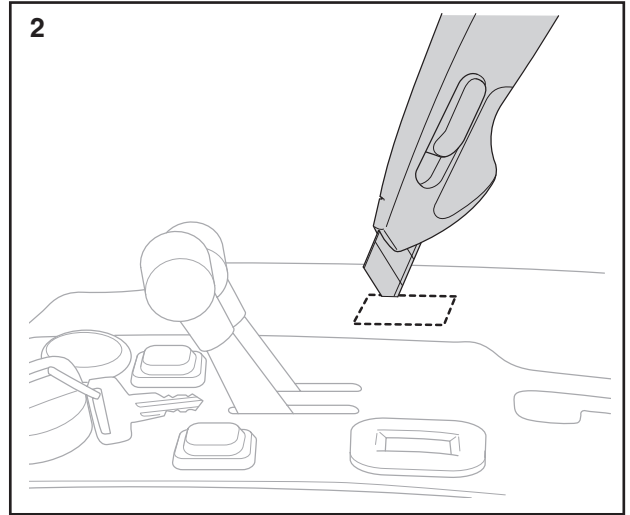
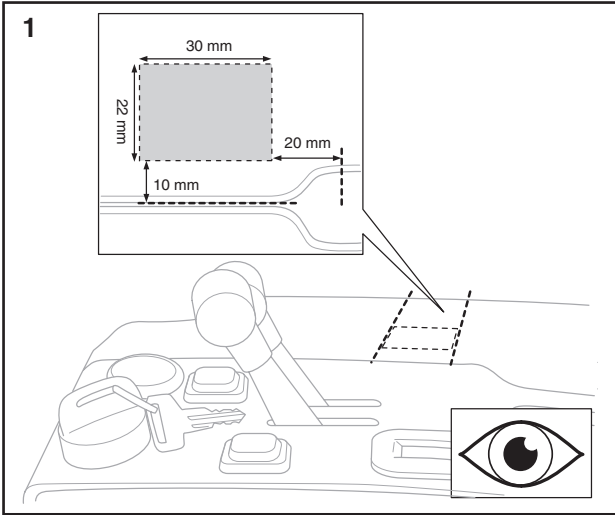
7

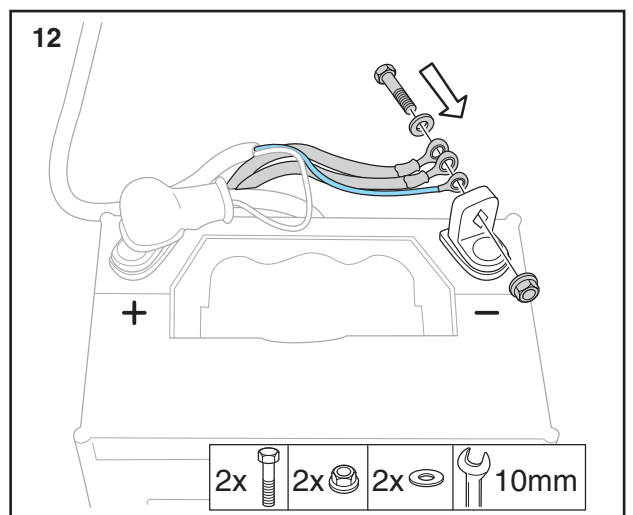
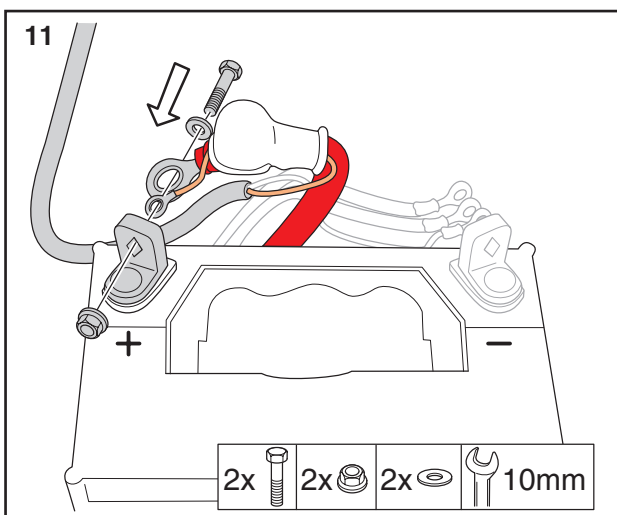
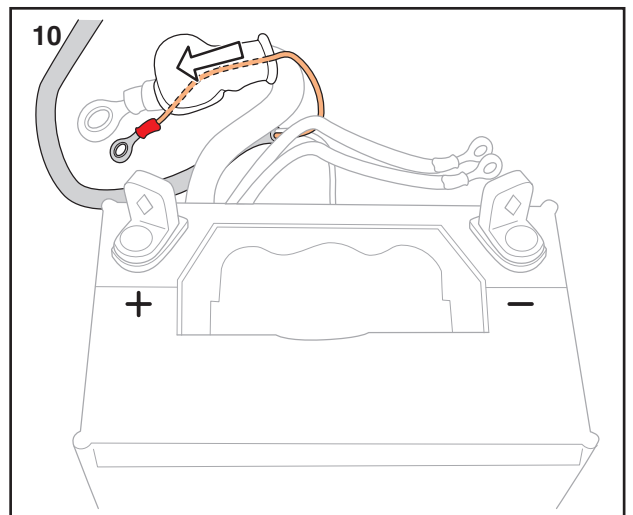
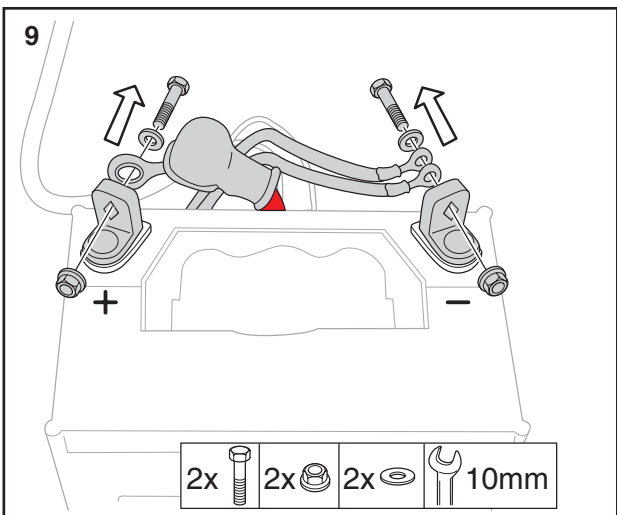
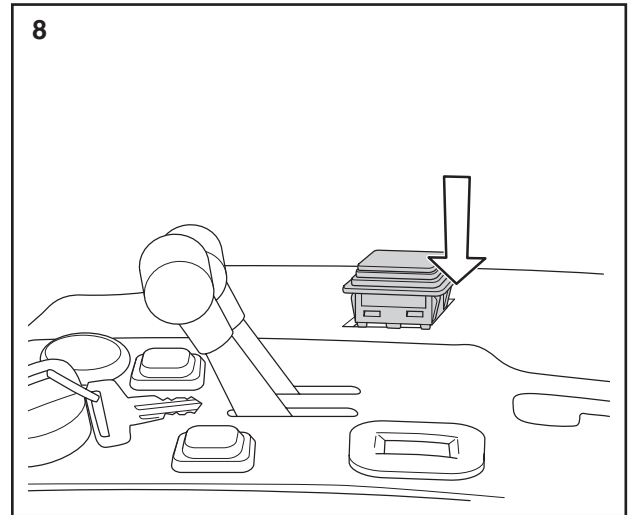
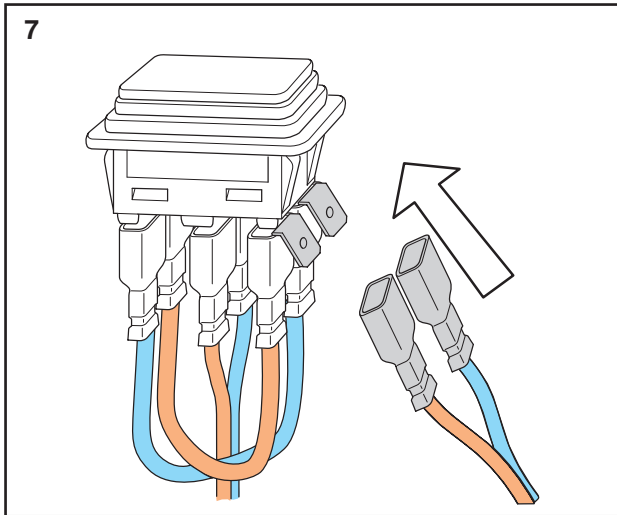


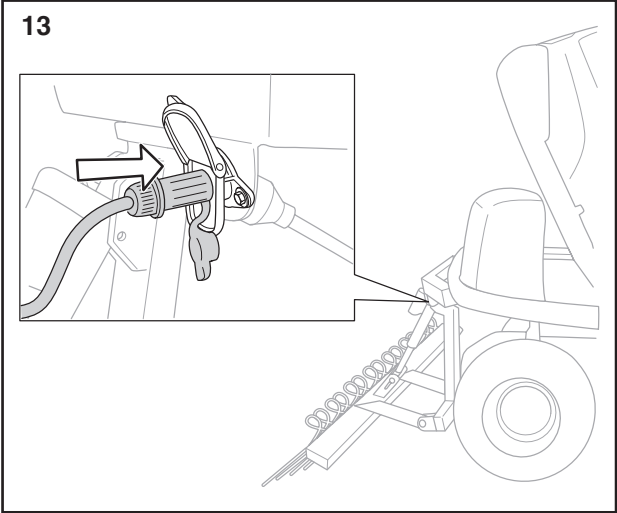


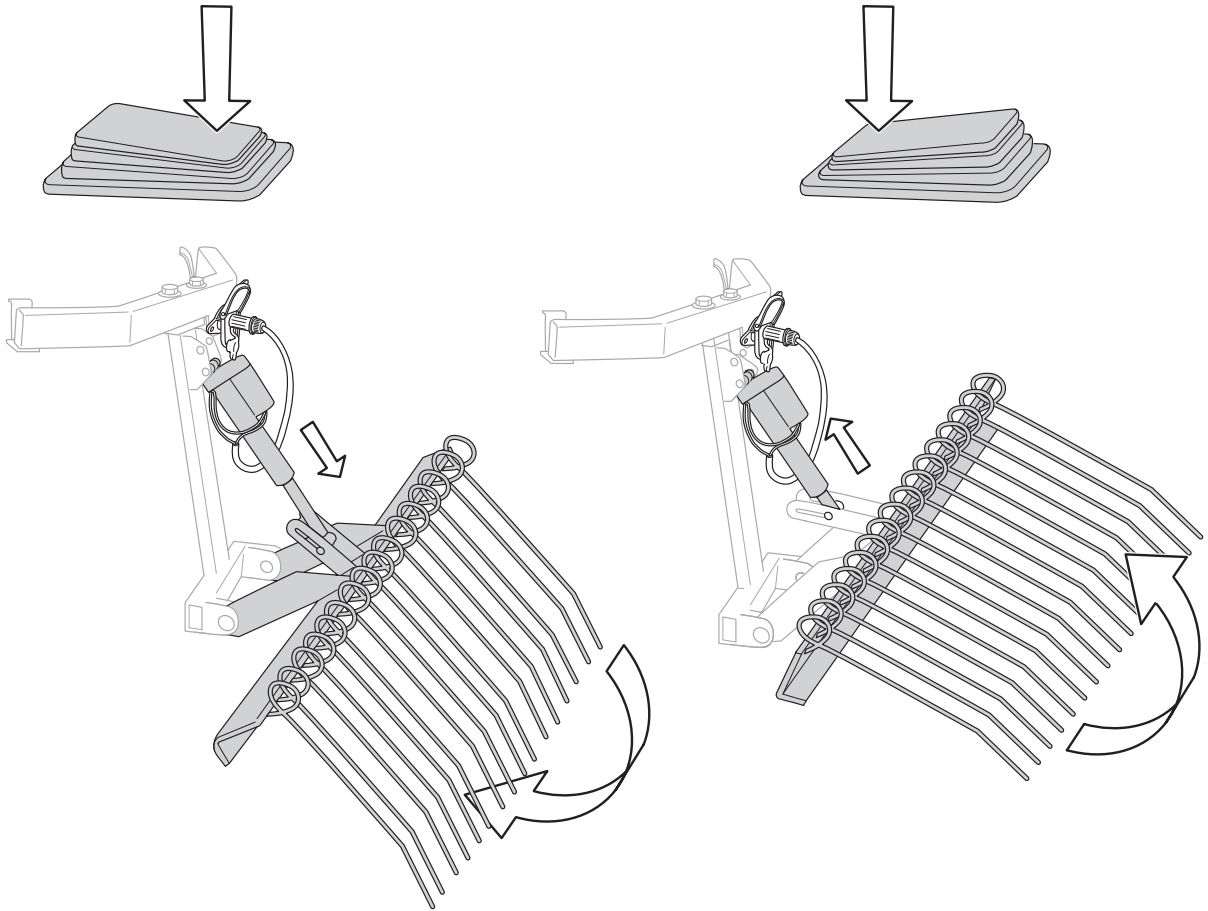






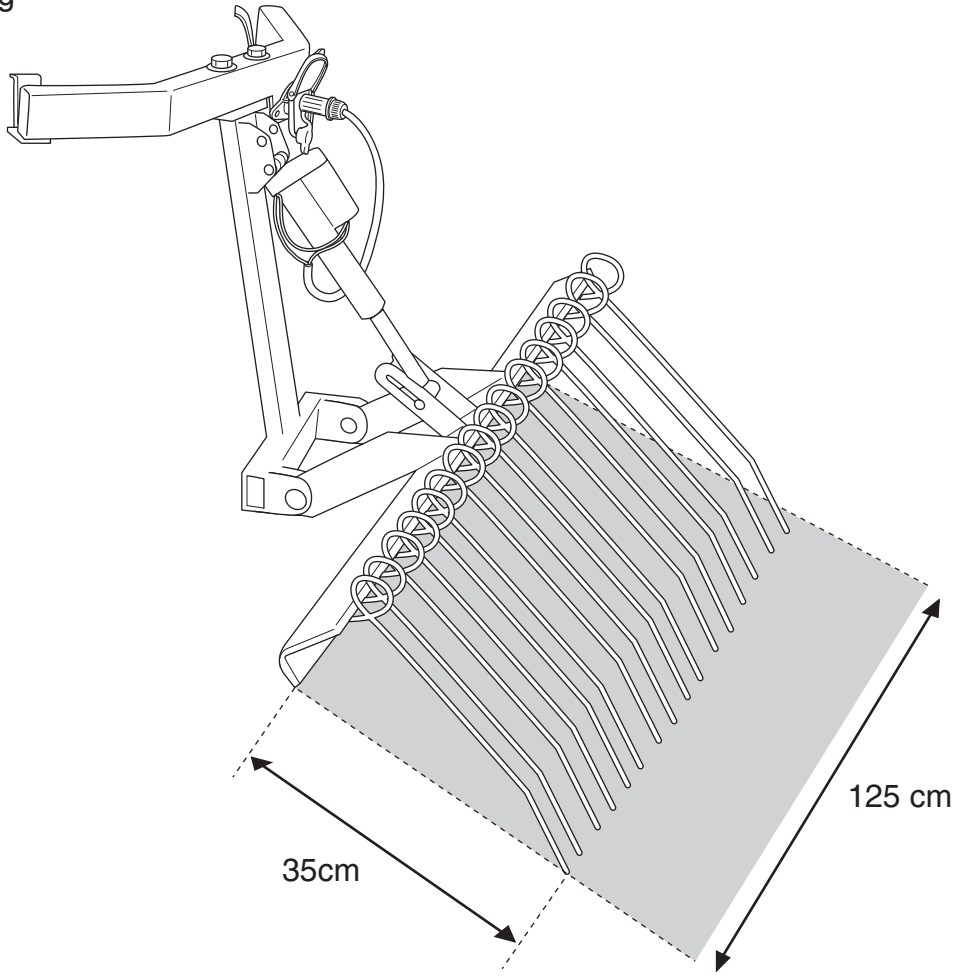








18 kg

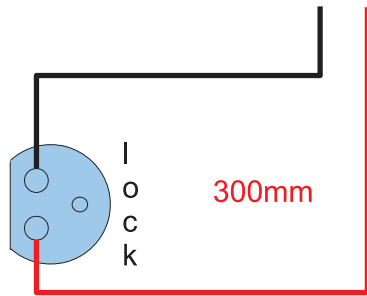




LR 125 - Husqvarna 418 - 524

Female  
(front)  
1420-271010

Actuator



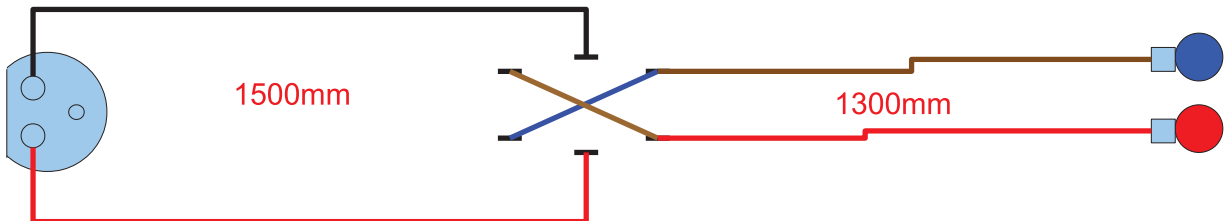
|            |                |
|------------|----------------|
| Cable      | 1430-300007    |
| Cable shoe | 1440-000309 10 |
| D:o        | 1440-000312 2  |
| 8mm blue   | 1440-000329 1  |
| 8mm red    | 1440-000229 1  |

|          |   |
|----------|---|
| M5 x 16  | 2 |
| M5 loc   | 2 |
| M5 srb   | 4 |
| M6 x 60  | 1 |
| M6 x 70  | 1 |
| M6 loc   | 2 |
| M6 srb   | 4 |
| M8 loc   | 4 |
| M8 srb   | 4 |
| M12 x 45 | 2 |
| M12 loc  | 2 |
| M12 srb  | 4 |
| M12 x 70 | 2 |
| M12 fj   | 2 |

Male  
(inside)  
1420-271000

Switch

35-031-55





---

Linderöd den  
20 augusti 2015  
Ert datum

Vår beteckning/ref  
LSS 70  
Er beteckning/ref

---

## CERTIFICATE

Manufacturer: P. Olssons i Linderöd AB, Steglitsvägen 6, 290 34 Fjälkinge hereby certifies that the machine type 587 93 25-01 conforms to the Machine Directive maskindirektivet 89-392-EEC, 91-368-EEC, 93-44-EEC with special reference to annex 1 of the directive concerning essential health and requirements in relation to design and manufacture.

Fjälkinge 2015-01-15

---

Ola Olsson

**P. Olssons i Linderöd AB**  
**Steglitsvägen 6, 290 34 Fjälkinge**

**Telefon: +46(0)44-340 011**

**Mobil: +46(0)70-567 00 11**

**Fax: +46(0)44-340350**

**E-post: [ola.olsson@polssons.se](mailto:ola.olsson@polssons.se)**

**Hemsida: [www.polssons.se](http://www.polssons.se)**