



**EN** Operating manual  
**DE** Benutzerhandbuch  
**FR** Manuel d'utilisation


**ES** Manual de uso  
**IT** Istruzioni per l'uso  
**NL** Gebruikshandleiding






# TF 324

\_\_\_\_\_ (Original instructions) **User's Manual**

 Read the instructions in the User's Manual.  
Familiarise yourself with the machine's controls and operation.


**EN**

\_\_\_\_\_ (Originalanleitung) **Betriebsanleitung**

 Bitte lesen Sie die in dieser Anleitung enthaltenen Anweisungen.  
Machen Sie sich mit der Funktionsweise und der Bedienung der Maschine vertraut.


**DE**

\_\_\_\_\_ (Notice originale) **Manuel d'utilisation**

 Lire les instructions du manuel utilisateur.  
Se familiariser avec le fonctionnement et les commandes de la machine.


**FR**

\_\_\_\_\_ (Manual original) **Manual de uso**

 Leer las instrucciones del manual de usuario.  
Familiarizarse con el funcionamiento y los mandos de la máquina.


**ES**

\_\_\_\_\_ (Manuale originale) **Manuale d'uso**

 Leggere le istruzioni riportate nel manuale d'uso.  
Familiarizzarsi con il funzionamento e con i comandi della macchina.

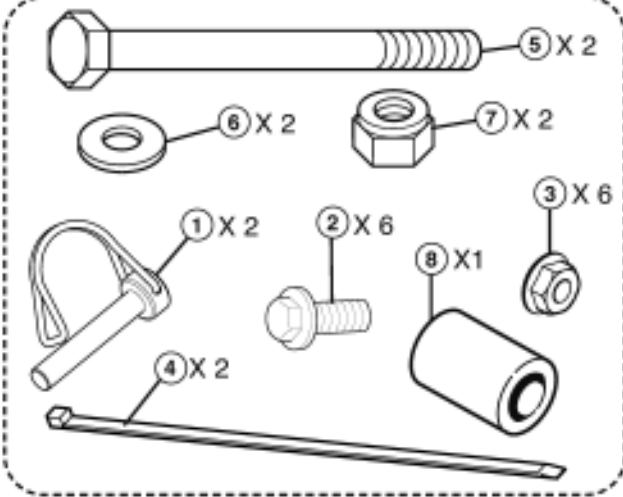
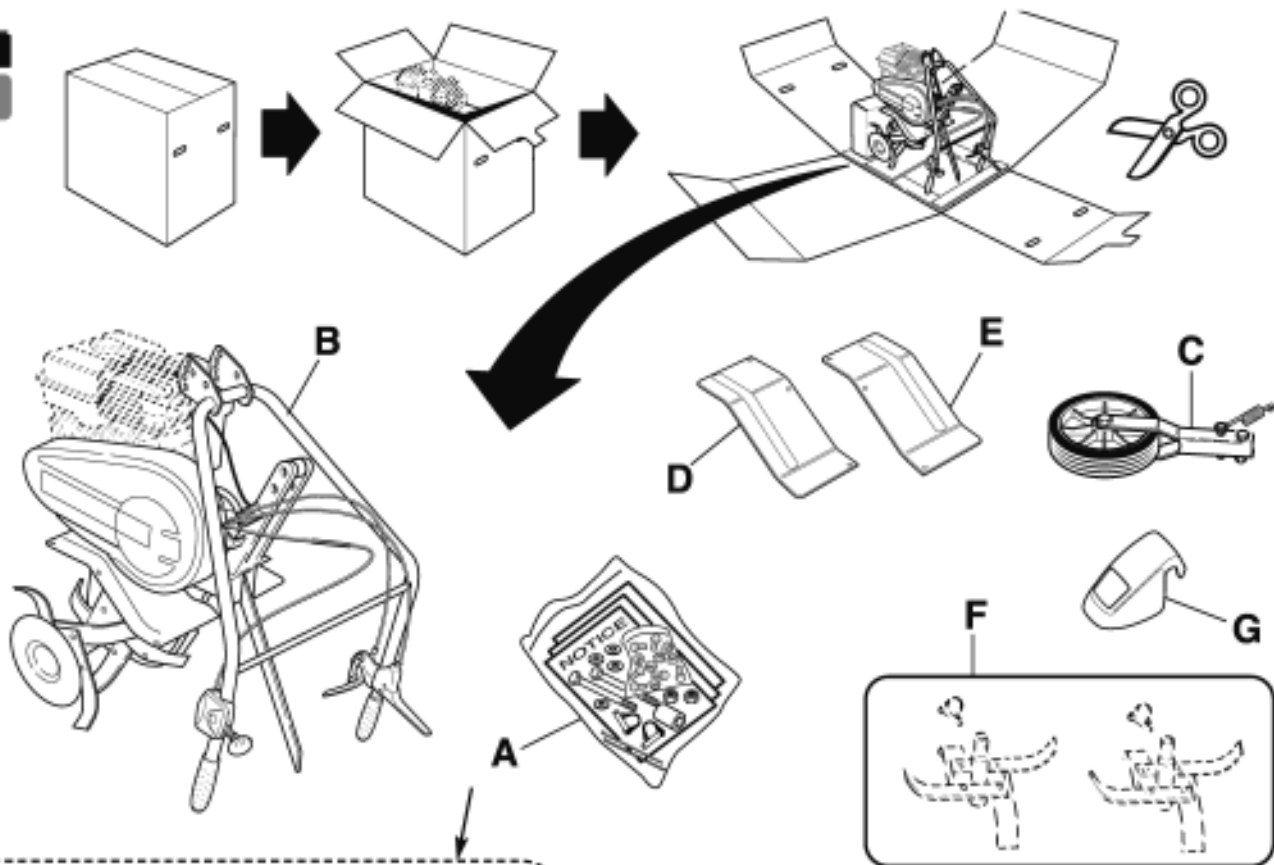
**IT**

\_\_\_\_\_ (Oorspronkelijke handleiding) **Gebruikshandleiding**

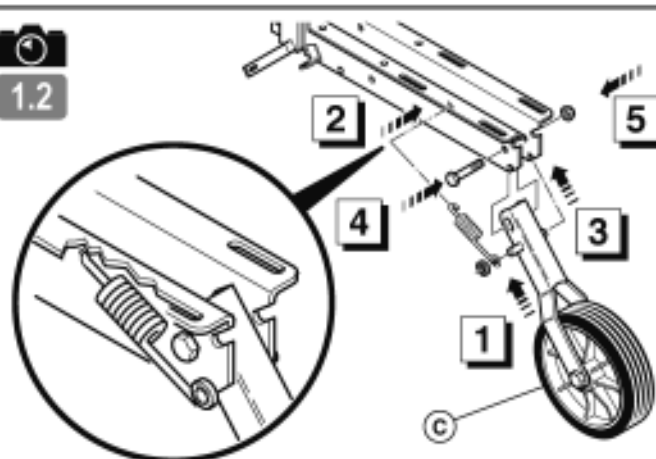
 De instructies vermeld in de gebruikshandleiding lezen.  
Zich vertrouwd maken met de werking en de bediening van de machine.

**NL**

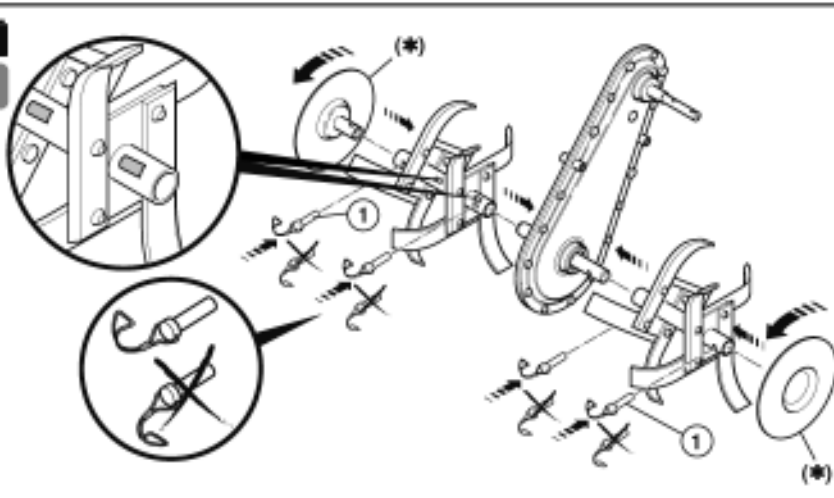
1.1



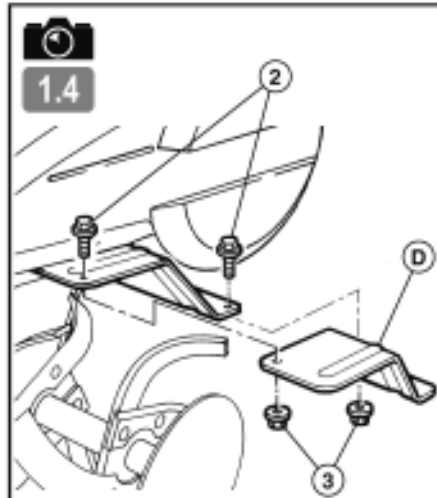
1.2



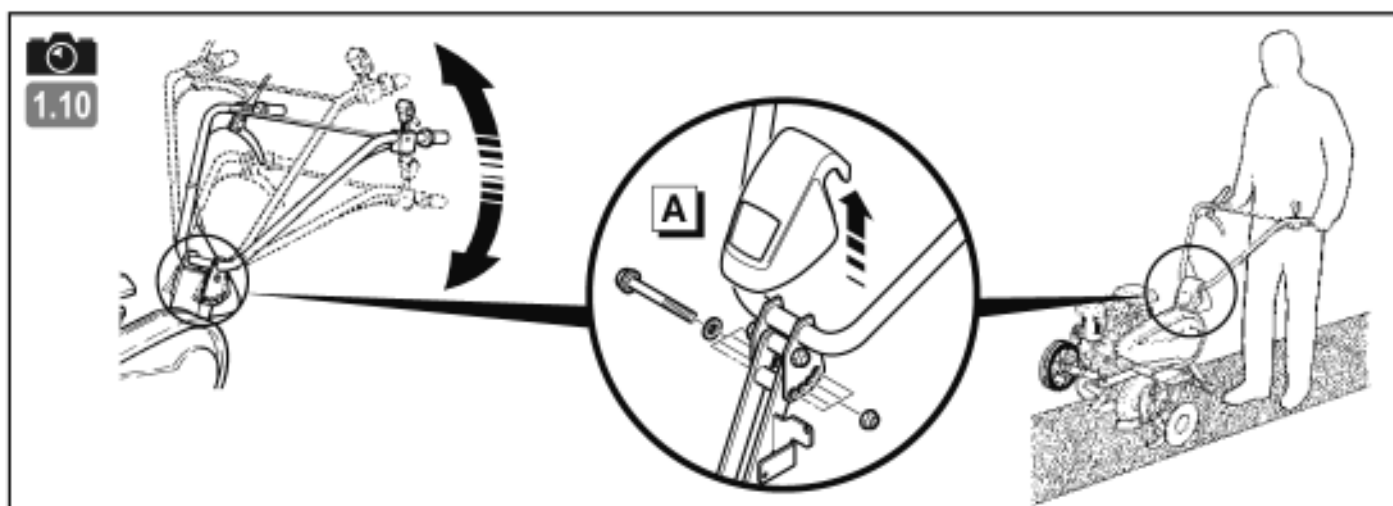
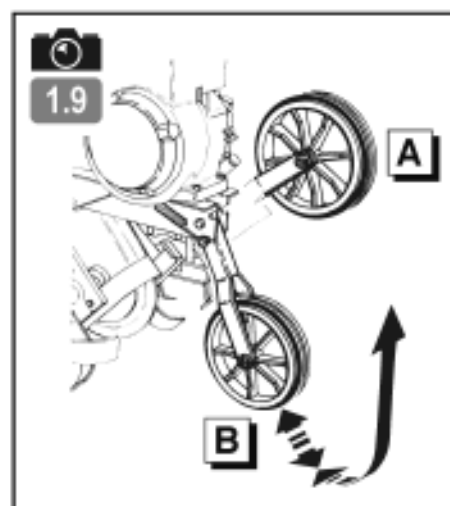
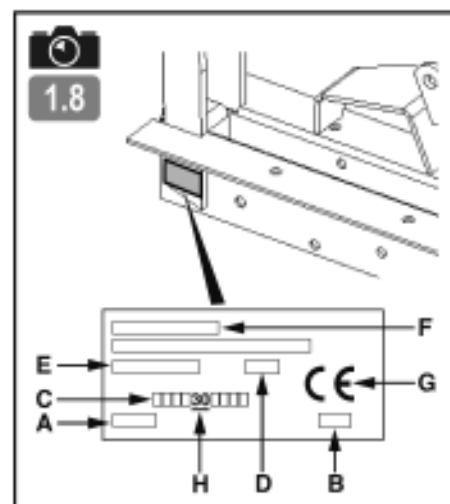
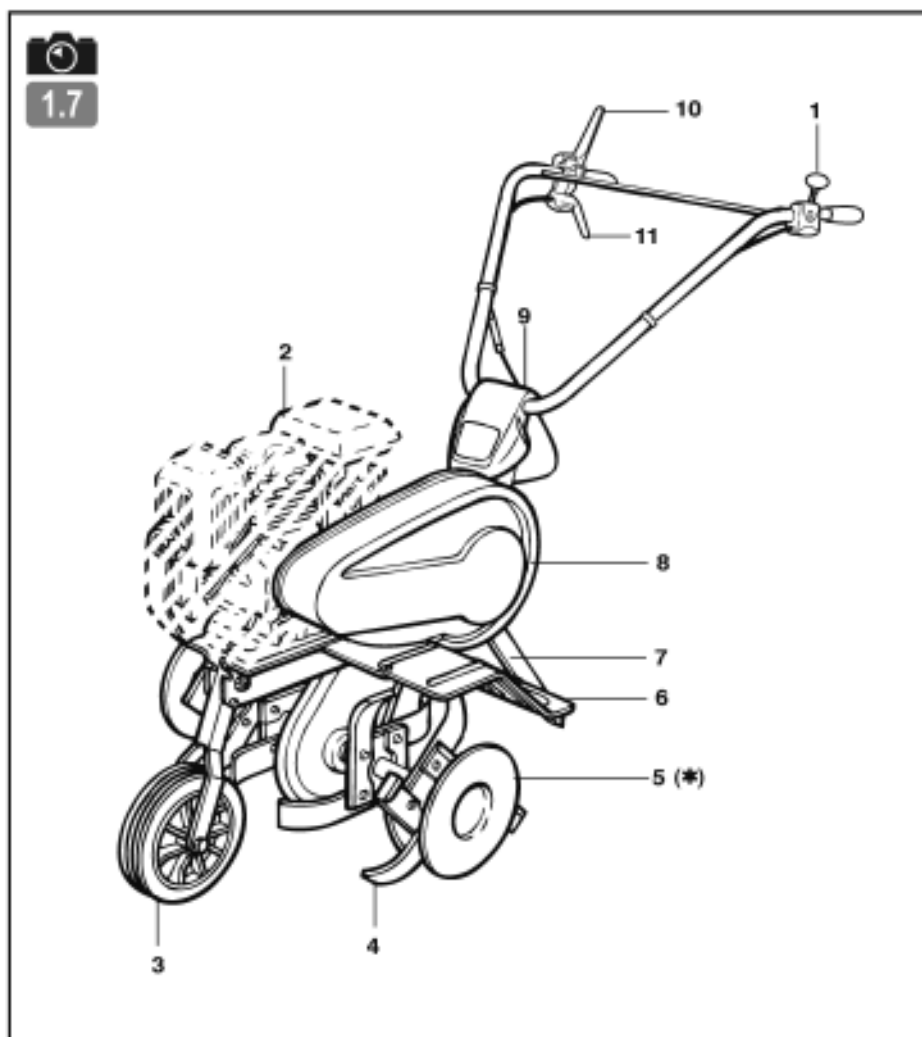
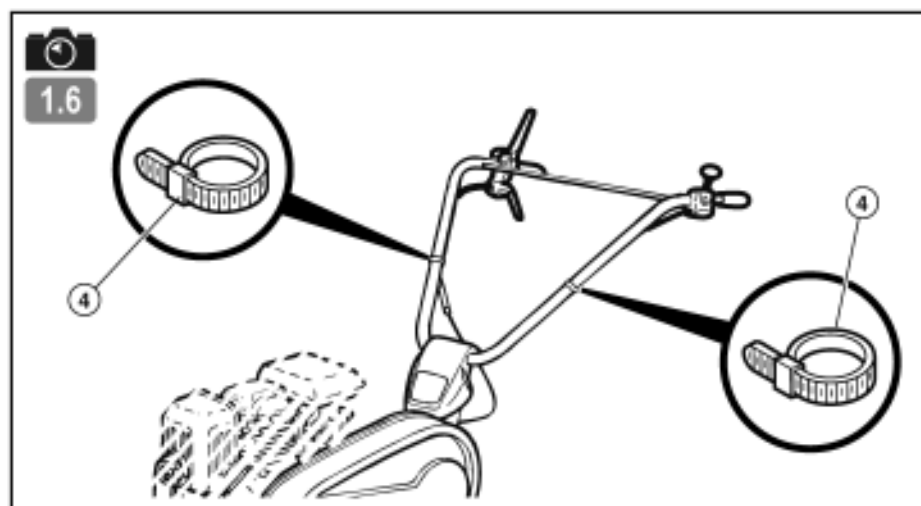
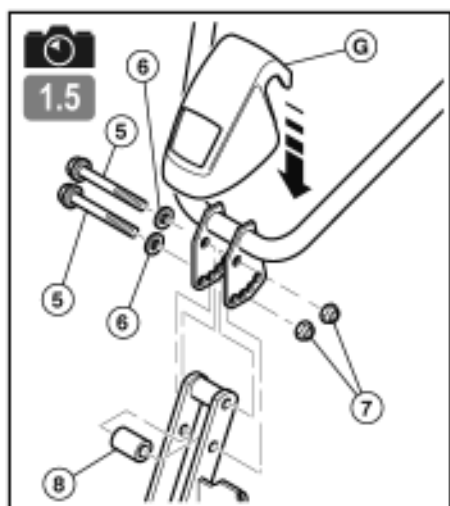
1.3

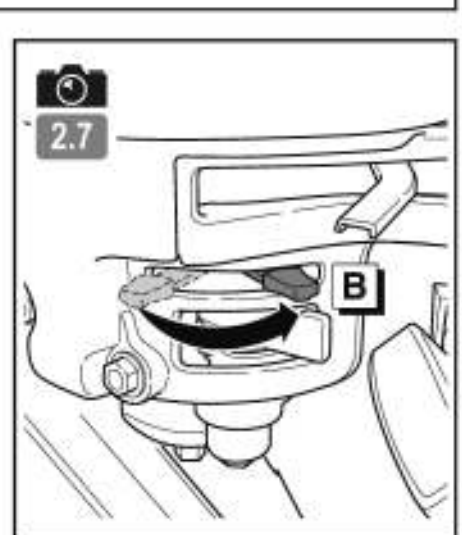
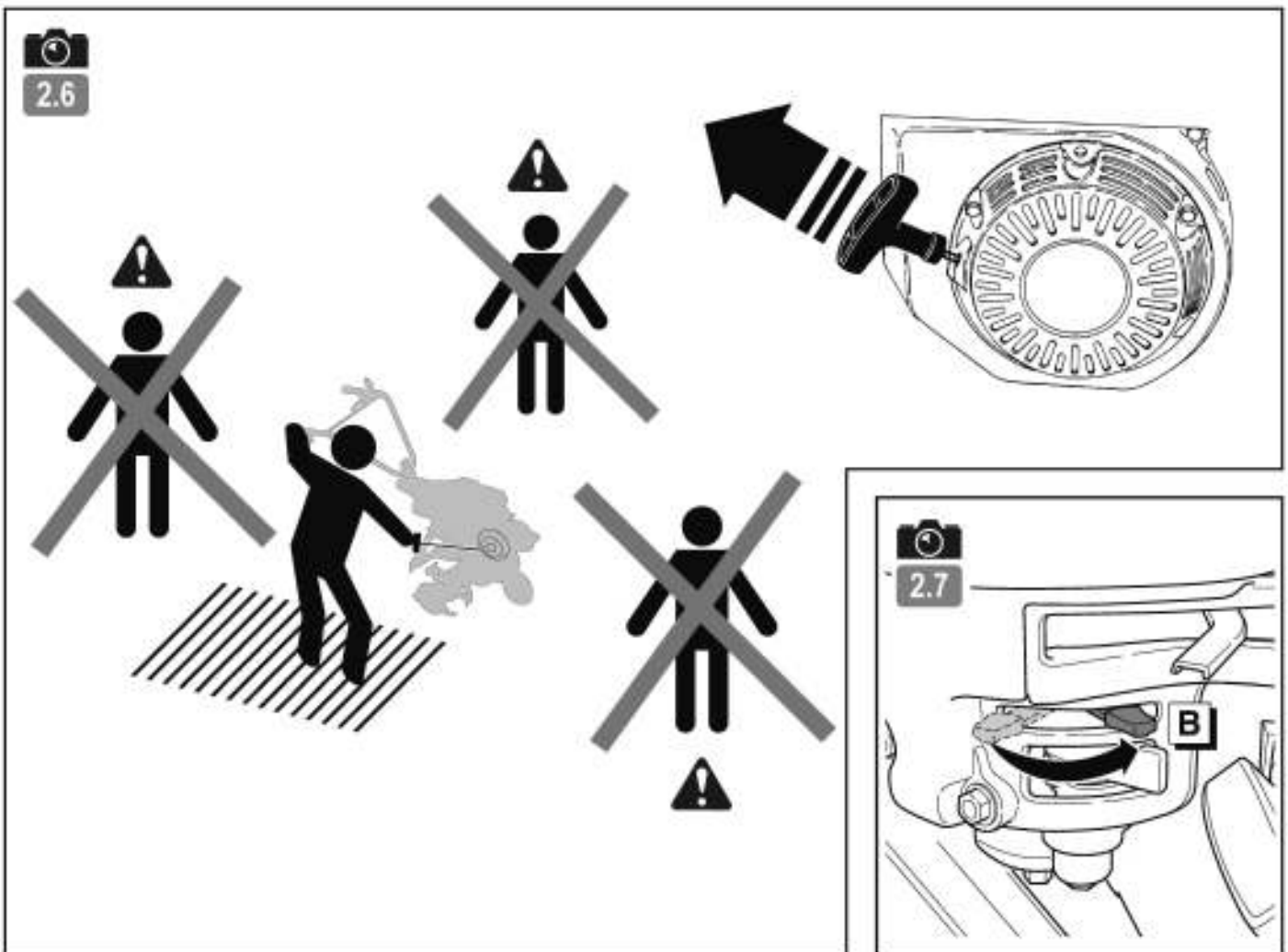
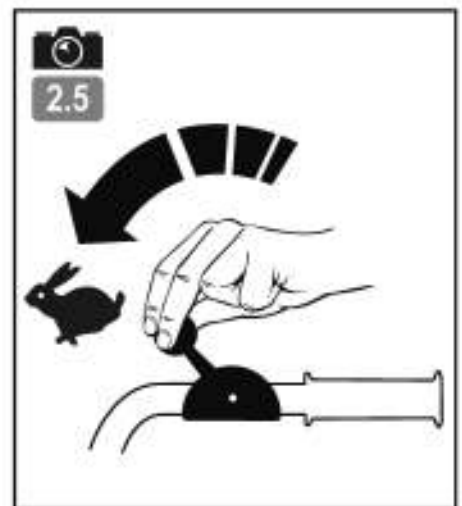
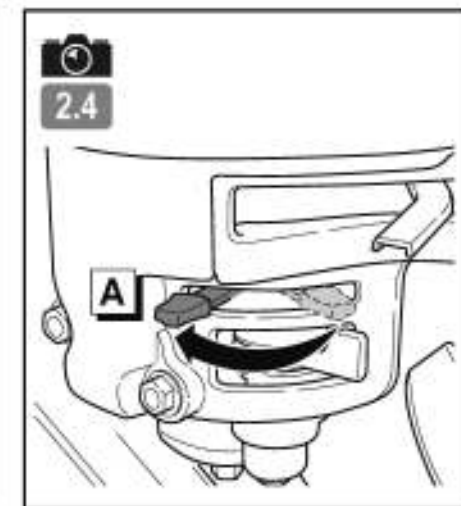


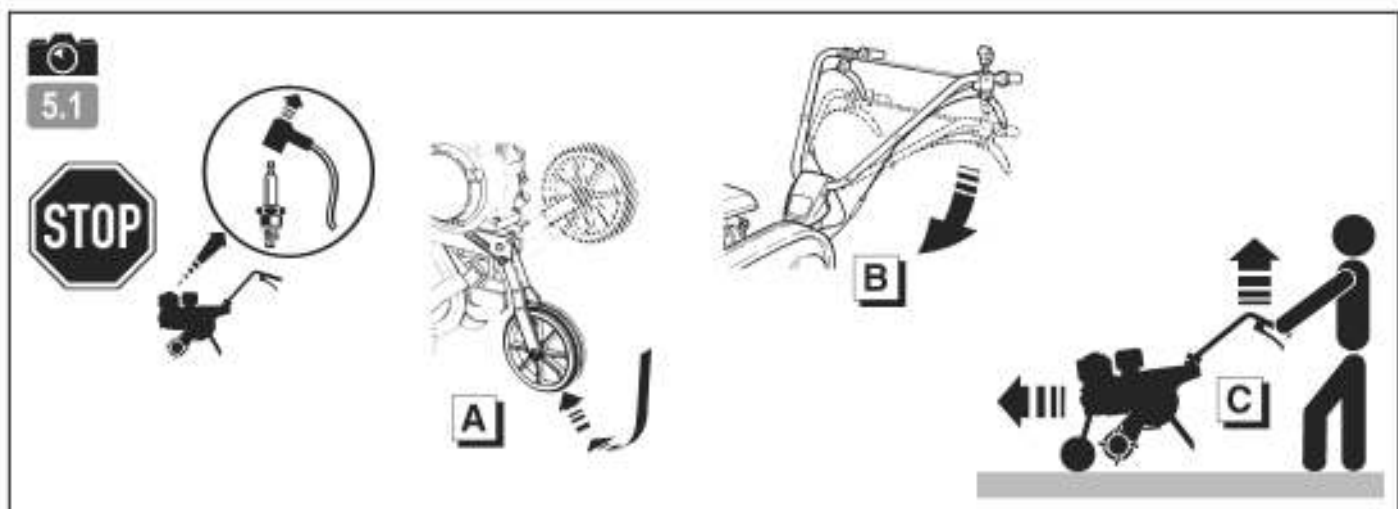
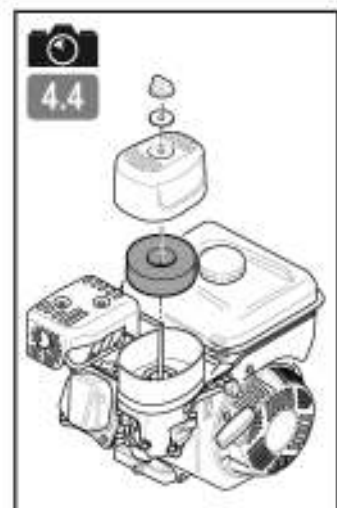
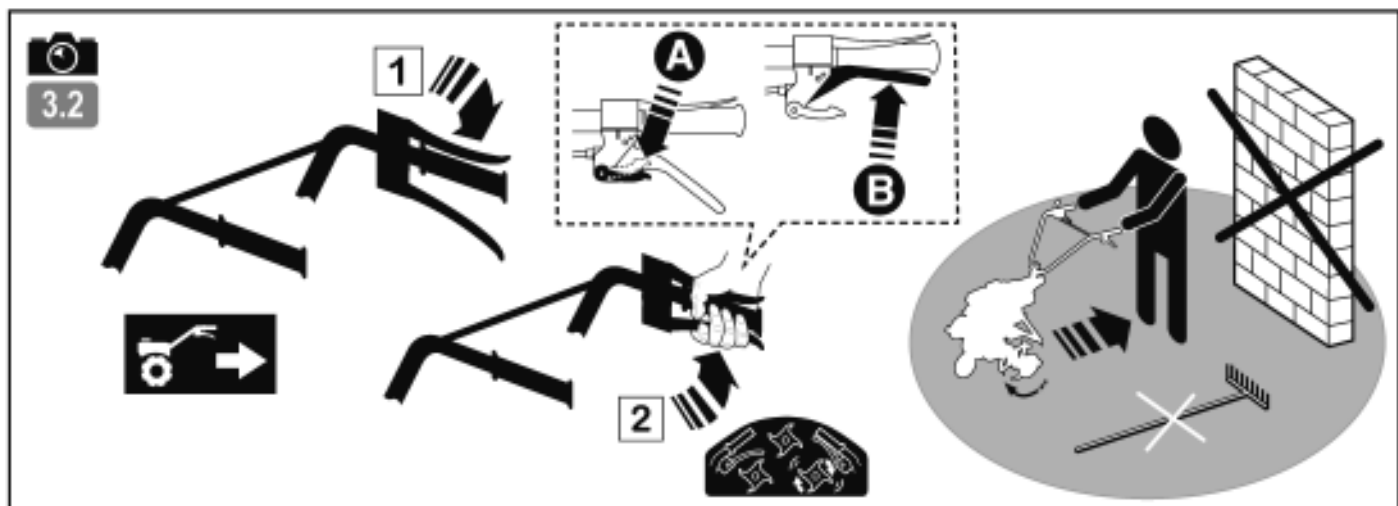
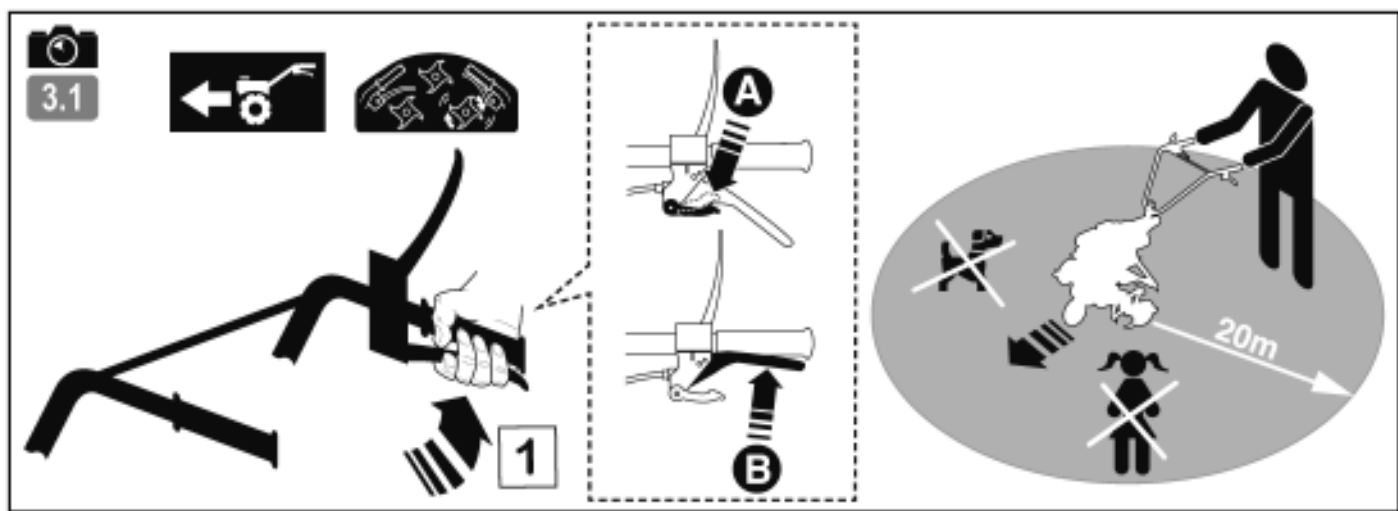
1.4

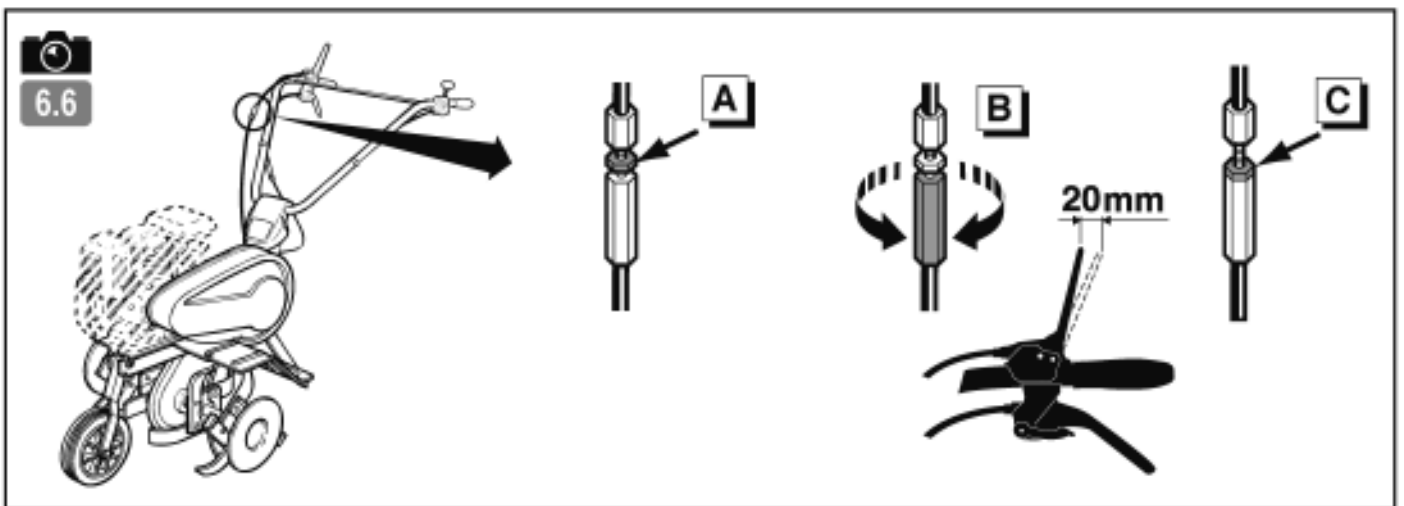
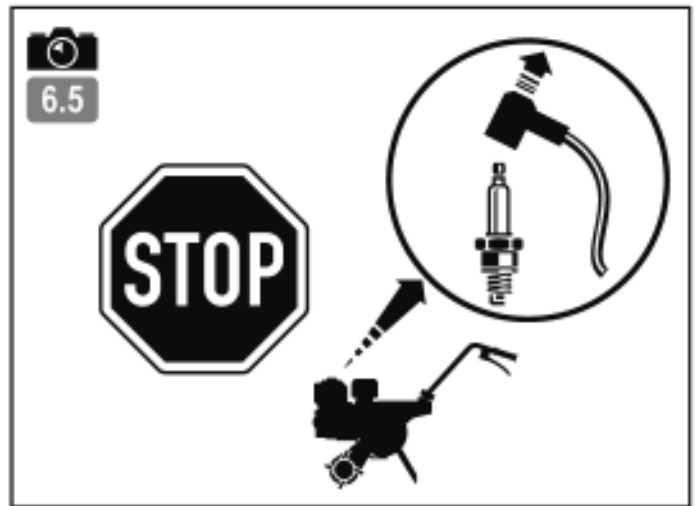
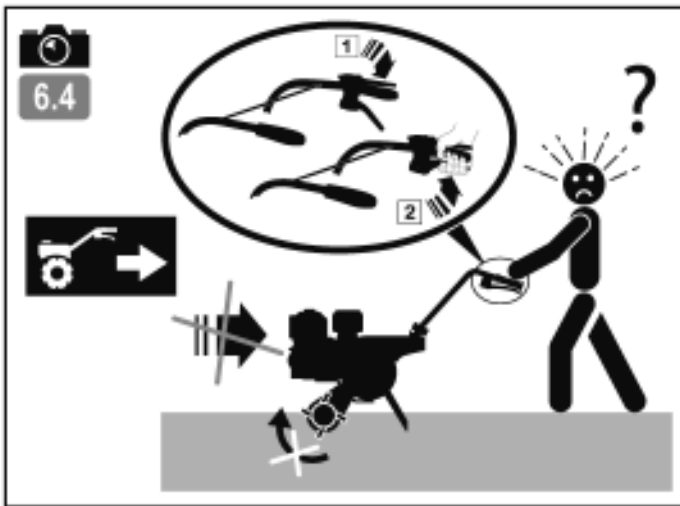
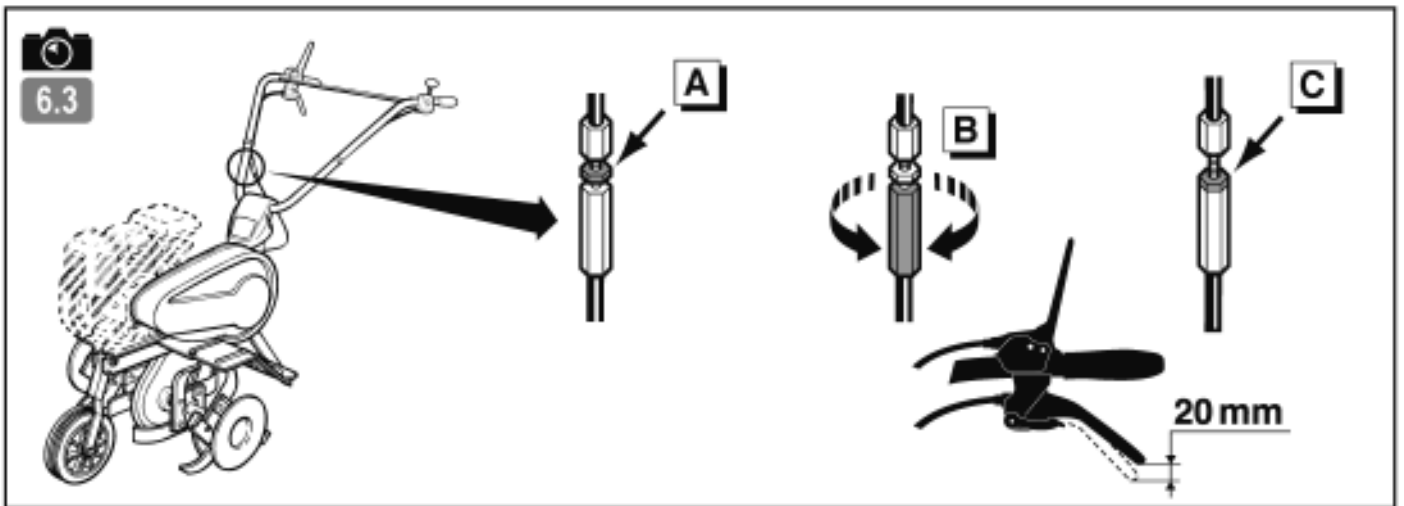
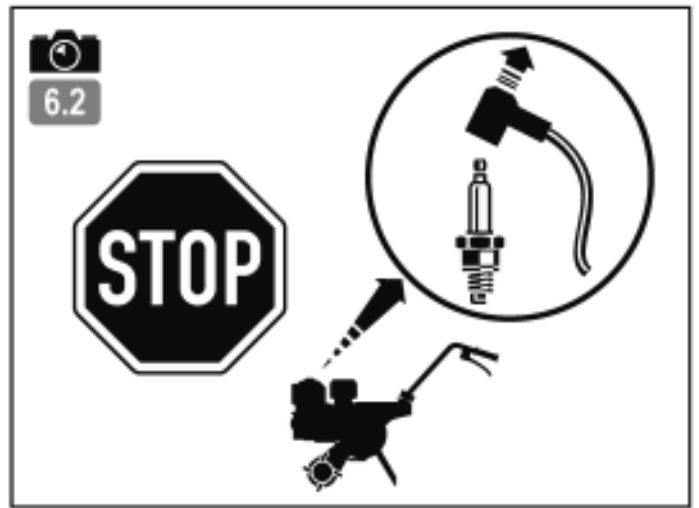
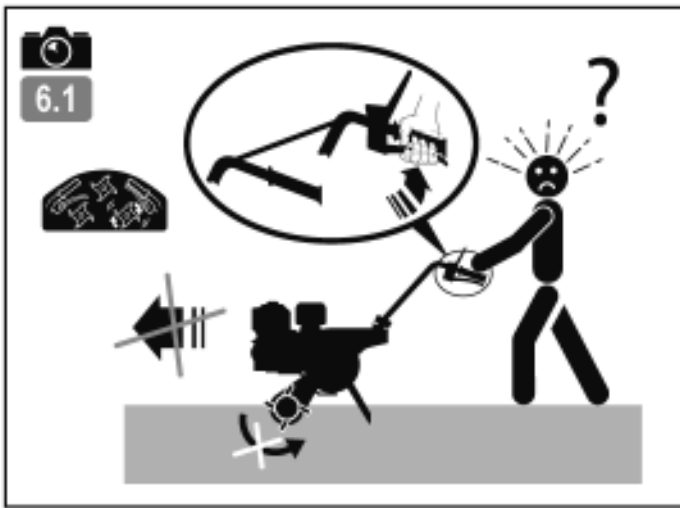


(-): FR : (suivant version) - EN : (depending on the version) - DE : (je nach Ausführungsvariante) - BG : (според варианта)  
 HR : (ovisno o verziji) - DA : (Afhængigt af version) - ES : (Según versión) - ET : (jårgmine versioon) - FI : (mallista pöppöen)  
 EL : (ανάλογα με το μοντέλο) - HU : (verziótól függően) - IT : (A seconda del modello) - LV : (atkarībā no versijas)  
 LT : (priklausomai nuo versijos) - NL : (Naar gelang model) - NO : (Avhengig av versjon) - PL : (Zależnie od wersji)  
 PT : (Consoante versão) - RO : (În funcție de versiune) - TR : (versiyona göre) - SK : (v závislosti od verzie) - SL : (odvisno od verzije)  
 SV : (beroende på version) - CZ : (v závislosti na provedení) - UK : (в залежності від версії) - RU : (В зависимости от модификации)











# SAFETY PRECAUTIONS

Pay particular care to the sections marked as follows:



**DANGER** : This indicates a strong likelihood of serious or even fatal injury if the instructions are not followed.

**WARNING** : This indicates a risk of injury or damage to the equipment if the instructions are not followed.

**NOTE** : This indicates useful information.



This symbol reminds you to take care with certain operations.

If you have any problems or questions about the cultivator, please contact your approved supplier.



**DANGER** : The machine is designed for safe and reliable service if used as instructed. Before using your machine, please make sure you have understood the contents of this manual. Otherwise you could be injured and your equipment could be damaged.

## Training / Information

- Familiarise yourself with the correct use and the controls before using the machine. Know how to stop the motor rapidly.
- The machine must always be used according to the recommendations given in the instruction manual.
- Remember that the user is responsible for any accidents or dangerous reactions occurring to other people or their belongings. It is his responsibility to assess the potential risks of the ground to be cleared and to take all precautions necessary to ensure it is safe, in particular on slopes and on loose, slippery or uneven ground.
- Never allow children or people unfamiliar with these instructions to use the machine. There may be local laws which set a minimum age for users.
- Never work when there are people, especially children, or animals within a radius of 20 meters of the machine; the operator must necessarily remain at the controls of the handles.
- Do not use the machine if you have been taking medicine or other substances that might slow your reactions or make you drowsy.
- Pay particular attention on hard ground, because the machine has the tendency to be much less stable than on cultivated ground.
- Always wear sturdy, non-slip footwear and tight long trousers when working. Do not use the machine in bare feet or sandals. Ear protectors are recommended.
- Use the machine for the purpose it is designed for - digging the ground. Any other use may be dangerous or cause damage to the machine.

## Preparation :

- Carefully inspect the area where the machine is to be used and remove any objects that might be projected by the machine (stones, wire, glass, metal objects ...).
- Before use, always check over the machine to ensure that the tools and deflectors are not worn or damaged. Replace any worn or damaged parts.
- Maintain the electrical cables that stop the motor in good condition so that you can be sure to turn the motor off.
- Check that no petrol or oil are leaking.
- Do not use the machine without its protective casings and ensure that all the fittings are tight.

## Use :

- Never transport people on the machine.
- Take care when starting the motor, following the manufacturer's instructions and keeping your feet away from the blade(s).
- Stop the motor when the machine is not in use.
- When holding the machine, walk don't run.
- Take great care when pulling the machine towards you or reversing the direction of rotation (if fitted).
- Keep a safe distance from the rotating blades, set by the length of the steering column.
- Do not place your hands or feet near or beneath rotating parts.
- If there is :
  - abnormal vibration,
  - a blockage,
  - a problem engaging or disengaging the clutch,
  - a collision with a foreign object,
  - deterioration of the engine halt cable (following model).
- Stop the engine immediately (if the Engine halt cable is severed, use the starter control as described in paragraph "start the engine" to stop the Engine), let the machine cool down, unplug the spark-plug lead, inspect the machine and have the necessary repairs carried out by an approved repairer before using again.
- Work only by daylight or in good artificial light.
- Do not use the machine on slopes greater than 10° (17%).
- Work across slopes, not up or down them.
- Make sure to keep your footing on sloping ground, change direction very carefully.
- Using accessories other than those recommended may make the machine dangerous and cause damage to your machine which will not be covered by your guarantee.

## Maintenance / storage

- Stop the motor and disconnect the spark plug before cleaning, inspecting, adjusting or maintaining the machine or changing the tool(s).
- Stop the motor, disconnect the spark plug and use thick gloves when changing the tool(s).

- Keep all nuts and bolts tight to ensure safe conditions of use.
- To reduce fire risk, keep the motor, the silencer and the fuel storage area free of plants, waste oil, or any other inflammable material.
- If the exhaust silencer is defective, have it replaced by an approved repairer.
- Do not mend parts; replace them by the maker's own spares.
- Replace the cutting blades in complete sets to keep them balanced
- For your own safety, do not alter the characteristics of your machine. Do not the motor speed settings and do not run the motor at excess speeds. Regular maintenance is essential for safety and to maintain the level of performance.
- Allow the motor to cool down before putting the machine away.

## Danger / Petrol is highly inflammable !

- Store fuel in containers specially designed for it. Always fill the tank outdoors and do not smoke while doing it.
- Do not unscrew the fuel cap or top up with petrol while the motor is running or still hot.
- If petrol is spilt on the ground, do not try to start the motor; Carry the machine elsewhere and avoid all naked flames until the petrol vapour has dispersed.
- Store the machine in a dry place. Never store the machine in a building where the petrol vapour can reach a flame, spark or source of intense heat.
- Replace the caps of the fuel tank and the petrol can correctly.
- Limit the amount of petrol in the tank to reduce spillage.
- Do not run the motor in a confined space where carbon monoxide vapour might accumulate.
- Carbon monoxide can be fatal. Ensure good ventilation.

## Moving, handling, transporting.

- Any action on the machine apart from ground digging must be performed with engine stopped and spark plug disconnected.
- Except when (ground digging) the machine must be moved by using the transport wheel as described in "Moving" chapter.
- Handling: do not try and lift the machine. The machine's weight is indicated on the manufacturer's plate, at the end of this manual. Use a method of handling adapted to the weight of the machine and to the situation to guarantee the safety
- When loading or unloading the machine to or from a trailer, use a suitable ramp. Lash the machine down correctly for safe transport.
- The machine should be transported in a trailer; do not use any other method of transport.

EN

DE

FR

ES

IT

NL

# DEFINITION OF THE PICTOGRAMS

EN

DE

FR

ES

IT

NL



**WARNING**  
Danger



**WARNING**  
Rotating tools



**WARNING**  
Read the User's Manual



**WARNING**  
Consult the User's Manual  
and remove the sparkplug  
before performing any work.



**WARNING**  
Do not use without  
protection  
(rotating elements).

## Gas control

(depending on the engine)



1

2

3



1

2



1

2

3

1 - Fast  
2 - Slow  
3 - Stop



Reverse

Forward



Reverse

## Clutch lever



1

2

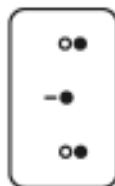


1

2

1 - Disengaged  
2 - Engaged

## Circuit cutout



Stop

Go

Stop



Do not touch any hot  
surfaces.



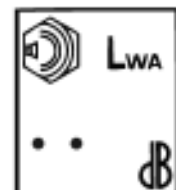
The exhaust gases are  
dangerous. Do not use  
in a poor ventilated  
area.



Switch off the engine  
before topping up the  
fuel.



Do not smoke, ignite a  
flame or approach with  
a naked flame.



Guaranteed  
sound power level



Wear a helmet with ear  
defenders.



Pictograms present or not depending on the model of the machine.

# TECHNICAL INFORMATION

Machine model	TF 324	Acoustic pressure level at driver's seat		
Weight	kg 52	( EN709 : 1997 / A4 : 2009 )	dB(A)	85
Engine model	750S-BH	Measurement uncertainty	dB(A)	1
Net output (*)	KW 3.45	Measured acoustic pressure level		
For engine revolutions	rpm 3600	( EN709 : 1997 / A4 : 2009 )	dB(A)	98
Nominal power	KW 3.3	Measurement uncertainty	dB(A)	1
Nominal engine revolutions	rpm 3300	Vibration level transmitted to operator's hands		
Guaranteed acoustic pressure level		( EN709 : 1997 / A4 : 2009 )	m/s <sup>2</sup>	7
	dB(A) 100	Measurement uncertainty	%	2

\* The engine power indicated in this document is the net output obtained by testing an engine from a production run according to Standard SAE J 1349 at a given speed of rotation. The power of another production run engine may differ from this indicated value. The actual power of an engine installed in a machine depends on various factors such as the speed of rotation, the temperature, humidity, atmospheric pressure and maintenance conditions and other factors.

## UNPACKING / ASSEMBLY

NB: In his constant desire to improve his products, the manufacturer states that the whole of this manual is not contractual and reserves the right to modify the specifications of his machines without notice.

### Unpacking

1.1

**WARNING:**  
Inappropriate assembly of this rotary tiller could cause severe injuries. Ensure that you follow all the instructions carefully.

**WARNING:**  
Take care not to cut the cables or scratch the machine's paintwork when cutting the edges of the case.

Ref.	Contents of the case
A	Instructions pouch + parts + nuts and bolts pouch
B	Engine block
C	Transport wheels
D	Left-hand protective wing
E	Right-hand protective wing
F	Optional additional cutting blades
G	Handlebars cover



### Fitting the transport wheel



Do not lock the nut (5) to enable the wheel to lift correctly.



### Fitting the tools

- Diameter of the working tools: 320mm  
- Working width (4 or 6 blades) 590/ 850mm



Do not use rotating tools with a diameter greater than 320mm and a working width over 850mm.  
Pay attention to the direction in which the blades and pins are fitted.



### Fitting the protective wings



### Fitting the handlebars



### Fitting the cable clamps



### Description of the elements

- 1 - Gas control
- 2 - Engine
- 3 - Transport wheel
- 4 - Rotating tools
- 5 - Plant-protection disk
- 6 - Protective plate
- 7 - Earthing spur
- 8 - Belt cover
- 9 - Handlebar adjustment handle
- 10 - Reverse lever (option)
- 11 - Clutch lever



### Machine identification plate

- A - Nominal power
- B - Weight in kilograms
- C - Serial number
- D - Year of manufacture
- E - Type of machine
- F - Manufacturer's name and address
- G - CE identification
- H - 30 = Rotary tiller with IC engine



### Transport wheel

- A = Working position  
B = Transport position



### Adjusting the handlebars

- A = Height adjustment

## MACHINE START



### Oil fill and level

■ Fill and top up the oil level in the engine casing.

■ Fill the oil filter unit to the OIL LEVEL marker with the same oil



### Petrol level full

Super or unleaded or SP95 E10.



### Open the fuel tap



### Set the starter to position A



### Accelerator

Set the lever to:



### Pull the launcher handle



Always remain within the safe area when starting the machine.



### Starter

Set the starter to position B.

EN

DE

FR

ES

IT

NL

## USAGE

This machine is intended to:

- Prepare the soil for planting.
- Maintain planted areas and flower beds.

This machine is not intended for professional use.



After start-up, do not leave the engine to run off-load, start work as soon as possible by activating the tool engagement control. It is not necessary to allow engine temperature to rise, running the engine off-load for more than 2 minutes without engaging tools can cause significant damage to the engagement system and the belt.



3.1

← Forward movement



3.2

← Reverse operation



Reversing the machine is dangerous. Make sure that there are no obstacles behind you and slow engine speed before engaging the clutch.

EN

DE

FR

ES



It is essential to release the clutch before switching to reverse gear.



Maintain a safety radius of 20 m around the machine.

IT

## STOPPING

NL



4.1

← Stopping the cutting tools

Release the clutch lever.



4.2

← Stopping the engine

Set the accelerator control to STOP.



4.3

← Close the fuel tap

## MAINTENANCE TABLE

### Daily checks

Before starting the engine, check the following points.

- There must be no loosened or broken nuts or bolts.



4.4

← ■ Cleanliness of the air filter element and the oil level.



Do not use inflammable solvent to clean the foam air filter element.



2.1

← ■ Engine oil level.

- No leaks of petrol or engine oil.



2.2

← ■ Sufficient petrol.

- Environment protection.

- No vibrations or excessive noise.

### Every 8 hours (every day)

- Clean the engine and check the nuts and bolts
- Check and top up the oil (top up every day to the maximum level)
- Drain the engine oil (after 20 hours)

### Every 50 hours (every week)

- Drain the engine oil (every 100 hours)
- Clean the spark plug (every 100 hours)
- Clean the air filter

### Every 200 hours (every month)

- Change the air filter element
- Clean the fuel cup
- Clean and set the spark plug and the electrodes

### Every 300 hours

- Check and set the play in the valves

### Every 500 hours

- Clean the carbon deposits from the cylinder head
- Clean and set the carburettor

### Every 1000 hours

- Give the engine a general overhaul, if necessary.

## MOVING AND HANDLING

### ← Moving

5.1



Stop the engine.

**A** Set the wheel in movement position.

**B** Set the handlebars in the low position to facilitate moving the machine.

**C** Lift the blades from the ground using the handlebars and then advance forwards.

EN

DE


FR


ES

IT

NL

## ADJUSTING THE CLUTCH CABLE

 6.1 When advancing jerkily or when the blades are not turning in the "Clutch engaged" position, adjust the clutch cable.

 6.2 Stop the machine and disconnect the spark plug.




6.3


**A** Release the cable tensioning nut on the clutch cable.

**B** Set the tensioning nut to provide 20mm play at the end of the lever.

**C** Relock the nut.  
Reconnect the sparkplug.  
Start the machine and try again.  
If the problem persists, contact your retailer.

## ADJUSTING THE REVERSING CABLE

 6.4 In the "clutch engaged" position, in the event of an abnormal noise or when the blades do not turn, adjust the reversing cable.

 6.5 Stop the machine and disconnect the spark plug.



6.6

**A** Release the cable tensioning nut on the reversing lever.

**B** Set the tensioning nut to provide 5mm play at the end of the lever.

**C** Relock the nut.  
Reconnect the sparkplug.  
Start the machine and try again.  
If the problem persists, contact your retailer.

Achten Sie besonders auf folgende Warnhinweise:

EN



**ACHTUNG:** Weist auf die Gefahr schwerer Körperverletzung oder Lebensgefahr hin, wenn die Anweisungen nicht befolgt werden.

DE

**VORSICHT:** Weist auf die Gefahr einer Körperverletzung oder Materialbeschädigung hin, wenn die Anweisungen nicht befolgt werden.

FR

**BITTE BEACHTEN:** Liefert nützliche Informationen.

ES



Dieses Symbol macht Sie darauf aufmerksam, dass bei bestimmten Arbeiten Vorsicht geboten ist.

IT

Bei Problemen oder Fragen zur Motorhacke wenden Sie sich bitte an einen autorisierten Fachhändler.

NL



**ACHTUNG:** Die Maschine arbeitet sicher und zuverlässig, wenn sie unter normalen Bedingungen und gemäß den Anweisungen benutzt wird. Lesen und verstehen Sie diese Anleitung, bevor Sie die Maschine in Gebrauch nehmen. Anderenfalls laufen Sie die Gefahr, verletzt zu werden und das Material zu beschädigen.

## Kennenlernen / Informationen

- Machen Sie sich vor dem Gebrauch der Maschine mit ihrer Funktionsweise und Bedienung vertraut. Lernen Sie, wie man den Motor schnell abschaltet.
- Die Motorhacke sollte immer gemäß den in dieser Anleitung enthaltenen Empfehlungen und Vorschriften in Gebrauch genommen werden.
- Vergessen Sie nicht, dass der Bediener für Unfälle oder gefährliche Vorfälle, bei denen anderen Personen oder Gegenständen Schaden zugefügt wird, haftet. Es obliegt ihm deshalb, die potentiellen, mit dem zu bearbeitenden Gelände zusammenhängenden Gefahren auf seine Verantwortung einzuschätzen und die erforderlichen Sicherheitsmassnahmen vor allem bei Gefälle, unebenem, glattem oder lockerem Boden zu treffen.
- Lassen Sie die Maschine niemals von Kindern oder Personen benutzen, die mit ihrer Bedienung nicht vertraut sind. Gemäß den jeweiligen Landesvorschriften kann ein Mindestalter für den Benutzer vorgegeben sein.
- Arbeiten Sie niemals in unmittelbarer Anwesenheit von Personen, insbesondere von Kindern und Tieren: Ein Mindestabstand von 20 Metern sollte rund um die Maschine gegeben sein; der Benutzer muss unbedingt jederzeit eingriffsbereit am Lenker bleiben.
- Nehmen Sie die Maschine nicht in Gebrauch, wenn Sie Medikamente oder Substanzen, die das Reaktionsvermögen und die Konzentration bekannterweise mindern, eingenommen haben.
- Auf hartem Gelände ist besondere Aufmerksamkeit geboten, denn die Maschine ist weniger standfest als auf einem Kulturland.
- Tragen Sie bei der Arbeit stets festes, rutschfestes Schuhwerk und eine lange, anliegende Hose. Die Maschine nicht barfuß oder mit Sandalen bedienen. Wir empfehlen das Tragen von Gehörschutz.
- Verwenden Sie die Motorhacke für Zwecke, für die sie bestimmt ist, d.h. zum Bearbeiten von Boden. Jeder andere Gebrauch kann gefährlich sein oder zur Beschädigung der Maschine führen.

## Vorbereitung:

- Inspizieren Sie sorgfältig den Arbeitsbereich und entfernen sämtliche Gegenstände, die von der Maschine mitgerissen und geschleudert werden könnten (Steine, Drähte, Glas, Metallgegenstände usw.).
- Vor dem Gebrauch sichten Sie die Maschine auf abgenutzte oder beschädigte Werkzeuge und Deflektoren. Lassen Sie abgenutzte oder beschädigte Teile auswechseln.
- Besitzt die Maschine einen Motorabschaltknopf, halten Sie die elektrischen Motorabschaltkabel in einwandfreiem Zustand, damit das Abschaltssystem funktionsfähig bleibt.
- Kontrollieren Sie, dass keine Leckage vorliegt (Benzin, Öl usw.).
- Benutzen Sie die Maschine nicht ohne Kotflügel oder Schutzbleche und vergewissern sich, dass alle Befestigungen fest sitzen.

## Gebrauch:

- Die Maschine niemals zum Transport von Personen verwenden.
- Starten Sie den Motor behutsam gemäß den Anweisungen des Herstellers und halten die Füße fern von den Arbeitswerkzeugen.
- Stellen Sie den Motor ab, wenn die Maschine unbeaufsichtigt bleibt.
- Laufen Sie niemals, sondern gehen mit der Maschine.
- Ziehen Sie die Motorhacke zu sich oder führen den Richtungswechsel mit größter Vorsicht durch (bei vorhandener Option).
- Halten Sie stets einen Sicherheitsabstand zu den rotierenden Werkzeugen: Der Abstand ist durch die Länge des Lenkers vorgegeben.
- Bringen Sie Ihre Hände und Füße niemals in die Nähe oder unter die rotierenden Bauteile.
- Bei:
  - ungewöhnlicher Vibration
  - Feststecken
  - Problemen mit der Kupplung
  - Aufprall auf einen Fremdkörper
  - Beschädigung des Motorabschaltkabels (je nach Modell):
- Schalten Sie den Motor sofort ab (ist das Motorabschaltkabel gerissen, betätigen Sie den Chokehebel wie im Abschnitt "Ingangsetzung" beschrieben, um den Motor abzustellen). Lassen Sie die Motorhacke abkühlen, trennen den Kerzendraht, inspizieren die Maschine und lassen vor einem erneuten Gebrauch die notwendigen Reparaturen von einem autorisierten Reparaturdienst durchführen.
- Arbeiten Sie nur bei Tageslicht oder bei ausreichender Beleuchtung.
- Nehmen Sie die Maschine nicht auf Gefällen über 10° (17%) in Gebrauch.
- Arbeiten Sie stets quer zum Hang, niemals auf- oder abwärts.
- Bei Gefälle achten Sie auf sicheren Gang und führen Richtungswechsel mit größter Vorsicht durch.
- Das Verwenden von anderem als empfohlenem Zubehör kann gefährlich sein und zu Maschinenschäden führen, die von der Garantie ausgeschlossen sind.

## Instandhaltung / Lagerung

- Vor Reinigung, Kontrolle, Werkzeugwechsel, Einstellung und Instandhaltung der Maschine schalten Sie den Motor ab und trennen den Kerzendraht.
- Stellen Sie den Motor ab, trennen die Kerze und tragen zum Werkzeugwechsel dicke Schutzhandschuhe.

- Für einen sicheren Betrieb achten Sie darauf, dass alle Muttern und Schrauben fest sitzen.
- Zur Senkung der Brandgefahr halten Sie den Motor, den Schalldämpfer und den Abstellbereich frei von Pflanzen, Fettrückständen und sonstigen entzündlichen Stoffen.
- Lassen Sie beschädigte Schalldämpfer nur von einem autorisierten Reparaturdienst auswechseln.
- Nehmen Sie keine Reparaturen vor, sondern lassen gegen Originalersatzteile austauschen.
- Wechseln Sie die Werkzeuge durch komplette Bausätze aus, damit die Auswuchtung erhalten bleibt.
- Zu Ihrer Sicherheit nehmen Sie keine Umbauten vor, die die Merkmale Ihrer Maschine verändern. Verstellen Sie nicht die Drehzahlregelung des Motors und lassen den Motor nicht bei Überdrehzahl laufen. Eine regelmäßige Instandhaltung ist für die Sicherheit und die Erhaltung der Leistungen von wesentlicher Bedeutung.
- Lassen Sie den Motor abkühlen, bevor Sie die Motorhacke in einem Raum abstellen.

## Achtung Gefahr: Benzin ist hochentzündlich

- Bewahren Sie Treibstoff in speziell dafür vorgesehenen Behältern auf. Füllen Sie Treibstoff unbedingt nur im Freien ein und rauchen nicht währenddessen.
- Entfernen Sie niemals den Tankverschluss, und füllen Sie Benzin in keinem Fall bei laufendem oder warmem Motor ein.
- Ist Benzin auf den Boden ausgelaufen, versuchen Sie nicht, den Motor einzuschalten, sondern entfernen die Motorhacke aus dem betroffenen Bereich, bis die Benzindämpfe sich aufgelöst haben, um einer Entzündung vorzubeugen.
- Stellen Sie die Maschine an einem trockenen Ort ab. Lagern Sie die Motorhacke niemals in einem Raum, in dem Benzindämpfe eine Flamme, einen Funken oder eine starke Hitzequelle erreichen könnten.
- Setzen Sie den Tankverschluss und den Verschluss des Benzinbehälters richtig ein.
- Füllen Sie nicht zu viel Benzin ein, um Spritzer zu vermeiden.
- Lassen Sie den Motor nicht in einem engen Raum laufen, in dem Kohlenmonoxid dämpfe entstehen könnten.
- Kohlenmonoxid kann lebensgefährlich sein. Sorgen Sie für ausreichende Belüftung.

## Heben, Bewegen, Transportieren

- Mit Ausnahme des Arbeitsbetriebs müssen sämtliche Arbeiten an der Maschine mit abgeschaltetem Motor und getrennter Kerze durchgeführt werden.
- Die Motorhacke muss (außer im Arbeitsbetrieb) mit dem Transportrad - wie im Abschnitt "Heben und Bewegen" beschrieben - bewegt werden.
- Heben: Die Maschine nicht allein heben. Das Maschinengewicht ist auf dem Typenschild und am Ende dieser Anleitung angegeben. Zu Ihrer Sicherheit benutzen Sie eine Hebemethode, die für das Maschinengewicht und die gegebene Situation geeignet ist.
- Zum Auf- bzw. Entladen der Motorhacke von einem Anhänger ist unbedingt eine geeignete Laderampe zu benutzen. Für einen sicheren Transport achten Sie darauf, dass die Maschine ordentlich verzurt ist.
- Die Motorhacke muss mit abgeschaltetem Motor und getrennter Kerze auf einem Anhänger transportiert werden. Verwenden Sie keine anderen Transportmittel.

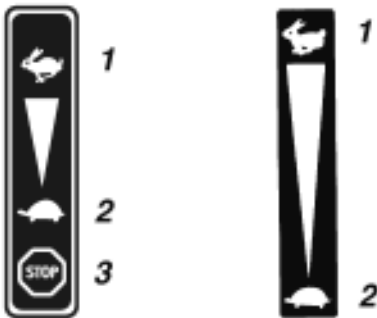
# ERLÄUTERUNG DER PIKTOGRAMME



- ACHTUNG**  
Gefahr
- ACHTUNG**  
Rotierende Werkzeuge
- ACHTUNG**  
Betriebsanleitung lesen
- ACHTUNG**  
Vor den Arbeiten Betriebsanleitung lesen und Kerze entfernen.
- ACHTUNG**  
Nicht ohne Schutzvorrichtung in Gebrauch nehmen (rotierende Bauteile).

## Schalthebel

(je nach Motorisierung)



- 1 - Schnell  
2 - Langsam  
3 - Stop.



Rückwärtsgang Vorwärtsgang

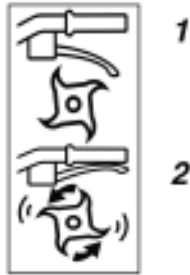


Rückwärtsgang

## Kupplungshebel



1 2



- 1 - Ausgekuppelt  
2 - Eingekuppelt

## Sicherheitsabschaltung



Heiße Flächen nicht berühren.



Auspuffgase sind gefährlich. In Räumen mit unzureichender Belüftung nicht in Gebrauch nehmen



Vor dem Einfüllen von Benzin Motor abschalten.



Rauchen verboten. Kein Feuer anzünden und keine Flammen in die Nähe bringen.



Garantierte schallpegel



Gehörschutz tragen.



Die Piktogramme variieren je nach Maschinenmodell.

## TECHNISCHE DATEN

Maschinenmodell	TF 324	Schalldruckpegel am Bedienstand		
Maschinenmodell	kg 52	( EN709 : 1997 / A4 : 2009 )	dB(A)	85
Motormodell	750S-BH	Messunsicherheit	dB(A)	1
Nutzleistung (*)	KW 3.45	Gemessener Schalleistungspegel		
bei Motordrehzahl	U/Min. 3600	( EN709 : 1997 / A4 : 2009 )	dB(A)	98
Nennleistung	KW 3.3	Messunsicherheit	dB(A)	1
Motornendrehzahl	U/Min. 3300	Hand-/Arm-Schwingungen		
Garantierter Schalleistungspegel		( EN709 : 1997 / A4 : 2009 )	m/s <sup>2</sup>	7
	dB(A) 100	Messunsicherheit	%	2

\* Die hier angegebene Motorleistung entspricht einer Nutzleistung, die in einer Prüfung an einem Serienmotor gemäß Norm SAE J 1349 bei einer bestimmten Drehzahl erzielt wurde. Die Leistung eines anderen Produktionsmotors kann von dem hier angegebenen Wert abweichen. Die effektive Leistung eines in einer Maschine eingebauten Motors hängt von verschiedenen Faktoren wie Drehzahl, Temperatur, Feuchtigkeit, Luftdruck, Wartung usw. ab.

EN

DE

FR

ES

IT

NL



# LIEFERUMFANG / ZUSAMMENBAU

EN

DE

FR

ES

IT

NL

**HINWEIS:** Um die ständige Verbesserung bemüht, macht der Hersteller darauf aufmerksam, dass diese Anleitung in Gänze unverbindlich ist, und behält sich das Recht vor, die Merkmale seiner Maschinen ohne Vorankündigung zu ändern.



## Lieferumfang



**ACHTUNG:** Ein falscher Zusammenbau der Motorhacke kann zu schweren Verletzungen führen. Befolgen Sie unbedingt alle Anweisungen sorgfältig.



**ACHTUNG:** Beim Durchschneiden der Verpackung achten Sie darauf, dass die Kabel und die Lackierung der Maschine nicht beschädigt werden.

Pos.	Inhalt
A	Beutel mit Anleitung + Teilen + Säckchen mit Schrauben
B	Motorblock
C	Transporträder
D	Linkes Schutzblech
E	Rechtes Schutzblech
F	Option Zusätzliche Hackmesser
G	Lenkerhaube



## Montage des Transportrades



Mutter (5) nicht blockieren, damit das Rad-Hebesystem einwandfrei funktionieren kann.



## Montage der Werkzeuge

- Durchmesser der Arbeitswerkzeuge: 320 mm  
- Arbeitsbreite (4 oder 6 Hackmesser) 590 / 850 mm



Keine rotierenden Werkzeuge mit Durchmesser über 320mm und einer Arbeitsbreite über 850mm montieren. Auf richtigen Einbausinn der Hackmesser und der Splinte achten.



## Montage der Schutzbleche



## Montage des Lenkers



## Montage der Kabelklemmen



## Beschreibung der Bauteile

- 1 - Schalthebel
- 2 - Motor
- 3 - Transportrad
- 4 - Rotierende Werkzeuge
- 5 - Schutzscheibe
- 6 - Schutzblech
- 7 - Tiefensporn
- 8 - Riemenschutzhaube
- 9 - Lenker-Stellgriff
- 10 - Rückwärts-Bedienhebel (option)
- 11 - Kupplungshebel



## Typenschild der Maschine

- A - Nennleistung  
B - Gewicht in Kilogramm  
C - Seriennummer  
D - Baujahr  
E - Bautyp der Maschine  
F - Name und Adresse des Herstellers  
G - CE-Kennzeichnung  
H - 30 = Motorhacke mit Verbrennungsmotor



## Transportrad

- A = Arbeitsstellung  
B = Transportstellung



## Lenkereinstellung

- A = Höheneinstellung

# MASCHINE STARTEN



## Ölnachfüllung und Füllstand

- Das Motoröl einfüllen und den Füllstand messen
- Das Luftfiltergehäuse bis zur Markierung OIL LEVEL mit dem gleichen Öl füllen



## Benzinnachfüllung

Super oder bleifrei oder SP95 E10.



## Benzinhahn öffnen



## Setzen Sie den Starter auf die Position A



## Gashebel

Setzen Sie den Hebel in Richtung:



## Ziehen Sie am Griff des Startseils



Bleiben Sie beim Starten der Maschine stets innerhalb des Sicherheitsbereichs.



## Starter

Setzen Sie den Starter auf die Position B.



## VERWENDUNG

Diese Maschine ist für Folgendes vorgesehen:  
 - Vorbereitung der Erde für Pflanzungen.  
 - Pflege von Pflanzungen und Blumenbeeten.  
 Diese Maschine ist nicht für einen beruflichen Einsatz vorgesehen.



Es ist unbedingt erforderlich, vor Verwendung des Fahrrihtungsumschalters die Kupplung loszulassen.



Einen Sicherheitsbereich mit einem Radius von 20 m um die Maschine herum einhalten.



Nach dem Einschalten den Motor nicht leer laufen lassen; sobald wie möglich mit dem Arbeiten beginnen, indem die Kupplungssteuerung der Werkzeuge betätigt wird. Der Motor braucht nicht angewärmt zu werden; ein Leerlaufen von länger als 2 Minuten ohne Einkuppeln der Werkzeuge kann beträchtliche Schäden am Kupplungssystem und dessen Riemen verursachen.



3.1

Vorwärtsgang



3.2

Rückwärtsgang



Die Verwendung des Rückwärtsgangs ist gefährlich. Sich vergewissern, dass sich kein Hindernis hinter Ihnen befindet, und die Motordrehzahl verringern, bevor die Kupplung geschaltet wird.

EN

DE

FR

ES

IT

NL

## ABSCHALTUNG



4.1

Abschalten der Hackmesser

Kupplungshebel loslassen.



4.2

Abschalten des Motors

Gashebel auf STOP stellen.



4.3

Schließen des Benzinahns

## INSTANDHALTUNGSTABELLE

### Tägliche Kontrollen

Vor dem Ingangsetzen des Motors folgende Punkte überprüfen:

- Keine losen oder gebrochenen Schrauben und Muttern



4.4

Filterelement auf Sauberkeit sowie Ölstand kontrollieren.



Das Schaumelement des Luftfilters mit keinen entzündlichen Lösungsmitteln reinigen.



2.1

Füllstand des sauberen Motoröls

- Keine Benzin- und Ölleckagen.



2.2

Ausreichender Benzinfüllstand

- Sichere Umgebung.

- Keine Vibrationen und keine übermäßigen Betriebsgeräusche.

### Alle 8 Stunden (täglich)

- Motor reinigen und Schrauben sowie Muttern inspizieren.
- Ölstand kontrollieren und Öl nachfüllen (Täglich bis zum Max.-Niveau nachfüllen).
- Motoröl wechseln (nach 20 Stunden).

### Alle 50 Stunden (wöchentlich)

- Motoröl wechseln (alle 100 Stunden).
- Kerze reinigen (alle 100 Stunden).
- Luftfilter reinigen.

### Alle 200 Stunden (monatlich)

- Luftfilterelement wechseln.
- Kraftstoffschale reinigen.
- Kerze und Elektroden reinigen und einstellen.

### Alle 300 Stunden

- Ventilspiel kontrollieren und einstellen.

### Alle 500 Stunden

- Zylinderkopf entrußen.
- Vergaser reinigen und einstellen.

### Alle 1.000 Stunden

- Generalüberholung des Motors bei Bedarf.

## HEBEN UND BEWEGEN

EN



← **Bewegen**

DE



**Motor abschalten.**

FR



**A** Rad in Fahrposition stellen.

ES

IT

**B** Lenker in Tiefstellung setzen, um die Maschine leichter bewegen zu können.

**C** Hackmesser mit Hilfe des Lenkers vom Boden abheben und Maschine vorwärts bewegen.

## JUSTIERUNG DES KUPPLUNGSKABELS

NL



Bewegt sich die Maschine in Position "Eingekuppelt" ruckartig oder drehen sich die Hackmesser nicht, das Kupplungskabel justieren.



Maschine abschalten und Kerze trennen.



**A** Mutter der Kupplungskabel-Spannvorrichtung freigeben.

**B** Spannvorrichtung justieren, bis am Ende des Kupplungshebels ein 20 mm Spiel erreicht wird.

**C** Mutter wieder festziehen.  
Kerze anschließen.

Maschine starten und erneut versuchen.

Hält das Problem an, wenden Sie sich an Ihren Händler.

## JUSTIERUNG DES RÜCKWÄRTSGANGKABELS



Ist in der Position "Eingekuppelt" ein unregelmäßiges Betriebsgeräusch zu vernehmen oder drehen sich die Hackmesser nicht, das Rückwärtsgangkabel justieren.



Maschine abschalten und Kerze trennen.



**A** Mutter der Wendegetriebekabel-Spannvorrichtung freigeben.

**B** Spannvorrichtung justieren, bis am Ende des Hebels ein 5 mm Spiel erreicht wird.

**C** Mutter wieder festziehen.  
Kerze anschließen.

Maschine starten und erneut versuchen.

Hält das Problem an, wenden Sie sich an Ihren Händler.

# CONSIGNES DE SÉCURITÉ

Attacher une attention particulière aux indications précédées des mentions suivantes:



**ATTENTION :** Signale une forte probabilité de blessures corporelles graves, voir un danger mortel si les instructions ne sont pas suivies.

**PRÉCAUTION :** Signale une possibilité de blessures corporelles ou de détérioration de l'équipement si les instructions ne sont pas suivies.

**NOTE :** Fournit des informations utiles.



Ce signe vous appelle à la prudence lors de certaines opérations.

En cas de problème, ou pour toutes questions concernant la motobineuse, veuillez vous adresser à un concessionnaire agréé.



**ATTENTION :** La machine est conçue pour assurer un service sûr et fiable dans des conditions d'utilisation conformes aux instructions. Avant d'utiliser votre machine, veuillez lire et assimiler le contenu de ce manuel. A défaut, vous vous exposez à des blessures et l'équipement pourrait être endommagé.

## Formation / Informations

- Se familiariser avec l'utilisation correcte et les commandes avant d'utiliser la machine. Savoir arrêter le moteur rapidement.
- La machine doit toujours être utilisée suivant les recommandations indiquées dans la notice d'instructions.
- Ne pas oublier que l'utilisateur est responsable des accidents ou des phénomènes dangereux survenant aux autres personnes ou à leurs biens. Il est de sa responsabilité d'évaluer les risques potentiels du terrain à travailler et de prendre toutes les précautions nécessaires pour assurer sa sécurité, en particulier dans les pentes, les sols accidentés, glissants ou meubles.
- Ne jamais laisser les enfants, ou des personnes non familières avec ces instructions, utiliser la machine. Les réglementations locales peuvent fixer un âge minimal pour l'utilisateur.
- Ne jamais travailler en présence de personnes, en particulier d'enfants, ou d'animaux dans un rayon de 20 mètres autour de la machine; l'utilisateur devant rester impérativement aux commandes des mancherons.
- Ne pas utiliser la machine après avoir absorbé des médicaments ou des substances, réputées comme pouvant nuire à sa capacité de réflexe et de vigilance.
- Dans un terrain dur, avoir une attention plus particulière car la machine aura tendance à être beaucoup moins stable qu'en terrain cultivé.
- Pendant le travail, porter toujours des chaussures résistantes, non dérapantes et des pantalons longs et serrés. Ne pas utiliser la machine lorsque l'on est pieds nus ou en sandales. Nous recommandons le port de protections auditives.
- Utiliser la machine pour l'usage auquel elle est destinée, à savoir la culture du sol. Toute autre utilisation peut s'avérer dangereuse ou entraîner une détérioration de la machine.

## Préparation :

- Inspecter minutieusement la zone sur laquelle la machine doit être utilisée et éliminer tous les objets qui pourraient être projetés par la machine (pierres, fils, verre, objets en métal...).
- Avant utilisation, toujours procéder à un contrôle visuel de la machine pour s'assurer que les outils et les déflecteurs ne sont ni usés ni endommagés. Faire remplacer les pièces usées ou endommagées.
- Si la machine est équipée d'un bouton d'arrêt moteur, maintenir les câbles électriques d'arrêt moteur en bon état de façon à garantir l'arrêt moteur.
- Vérifier l'absence de fuite de liquide (essence, huile...)
- Ne pas utiliser la machine sans garde-boue ou capots de protection et s'assurer que tous les dispositifs de fixation sont bien serrés.

## Utilisation :

- Ne jamais transporter de personnes sur la machine
- Démarrer le moteur avec précaution en respectant les instructions du fabricant et en maintenant les pieds éloignés de l'(des) outil(s).
- Arrêter le moteur quand la machine est sans surveillance.
- Marcher, ne jamais courir avec la machine.
- Tirer la machine vers soi ou inverser le sens de marche (si disponible) avec beaucoup de précautions.
- Conserver la distance de sécurité par rapport aux outils rotatifs, donnée par la longueur du guidon.
- Ne pas placer les mains ou les pieds près ou sous des éléments en rotation.
- En cas de :
  - vibration anormale,
  - blocage,
  - problème d'embrayage,
  - choc avec un objet étranger,
  - détérioration du câble d'arrêt moteur (suivant modèle),
- Arrêter le moteur immédiatement (si le câble d'arrêt moteur est coupé, actionner la commande du starter comme décrit au § "démarrage moteur" pour arrêter le moteur), laisser la machine refroidir, débrancher le fil de bougie, inspecter la machine et faire effectuer les réparations nécessaires par un réparateur agréé avant toute nouvelle utilisation.
- Travailler uniquement à la lumière du jour ou dans une lumière artificielle de bonne qualité.
- Ne pas utiliser la machine dans des pentes supérieures à 10° (17%).
- Travailler les pentes dans le sens transversal, jamais en montant ou en descendant.
- Sur les terrains pentus, bien assurer ses pas, changer de direction avec beaucoup de précautions.
- L'utilisation d'accessoires autres que ceux recommandés peut rendre la machine dangereuse, et occasionner des dommages sur votre machine qui ne seront pas couverts par votre garantie.

## Maintenance / stockage

- Arrêter le moteur et débrancher la bougie avant toute opération de nettoyage, de vérification, de changement d'outil(s), de réglage ou d'entretien de la machine.
- Arrêter le moteur, débranchez la bougie et utiliser des gants épais pour changer l(es) outil(s).

- Maintenir tous les écrous et vis serrés afin d'assurer des conditions d'utilisation sûres.
- Pour réduire les risques d'incendie, maintenir le moteur, le silencieux, et la zone de stockage de l'essence dégagés de végétaux, d'excès de graisse, ou de toute autre matière susceptible de s'enflammer.
- Faire remplacer les silencieux d'échappement défectueux par un réparateur agréé.
- Ne pas réparer les pièces. Faire remplacer les pièces par des pièces d'origine.
- Remplacer les outils par des lots complets afin de préserver l'équilibre.
- Pour votre sécurité ne pas modifier les caractéristiques de votre machine. Ne pas modifier les réglages de régulation de vitesse du moteur et ne pas utiliser le moteur en survitesse. Un entretien régulier est essentiel pour la sécurité et le maintien du niveau de performances.
- Laisser le moteur refroidir avant de ranger la machine dans un local.

## Attention danger l'essence est hautement inflammable :

- Stocker le carburant dans des récipients spécialement prévus à cet effet. Faire le plein à l'extérieur uniquement et ne pas fumer pendant cette opération.  
Ne jamais enlever le bouchon du réservoir d'essence ou ajouter de l'essence pendant que le moteur tourne ou tant qu'il est chaud.
- Si de l'essence a été répandue sur le sol, ne pas tenter de démarrer le moteur mais éloigner la machine de cette zone et éviter de provoquer toute inflammation tant que les vapeurs d'essence ne sont pas dissipées.
- Entreposer la machine dans un endroit sec. Ne jamais entreposer la machine dans un local où les vapeurs d'essence pourraient atteindre une flamme, une étincelle ou une forte source de chaleur.
- Remettre correctement en place les bouchons du réservoir et de la nourrice d'essence.
- Limiter la quantité d'essence dans le réservoir pour minimiser les éclaboussures.
- Ne pas faire tourner le moteur dans un endroit confiné où les vapeurs de monoxyde de carbone peuvent s'accumuler.
- Le monoxyde de carbone peut être mortel. Assurer une bonne ventilation.

## Déplacement, manutention, transport.

- Toute action sur la machine hors du travail du sol doit s'effectuer moteur arrêté et bougie débranchée.
- Le déplacement (hors travail du sol) doit s'effectuer en utilisant la roue de transport comme décrit au § "déplacement".
- Manutention : ne pas soulever la machine seul. Le poids de la machine est indiqué sur la plaque constructeur et à la fin de ce manuel. Utiliser une méthode de manutention adaptée au poids de la machine et à la situation afin de garantir la sécurité.
- Le chargement et le déchargement de la machine dans une remorque doit s'effectuer à l'aide d'une rampe de chargement adaptée. Arrimer correctement la machine pour un transport en toute sécurité.
- Le transport doit s'effectuer moteur arrêté et bougie débranchée à l'aide d'une remorque, n'utiliser aucun autre moyen de transport.

EN

DE

FR

ES

IT

NL

# DEFINITION DES PICTOGRAMMES

EN

DE

FR

ES

IT

NL



**ATTENTION**  
Danger



**ATTENTION**  
Outils rotatifs



**ATTENTION**  
Lire le manuel d'utilisation



**ATTENTION**  
Consulter le manuel d'utilisation et déposer la bougie avant toute intervention.



**ATTENTION**  
Ne pas utiliser sans protecteur (éléments tournants).

## Commande de gaz

(suivant motorisation)



1 - Rapide  
2 - Lent  
3 - Stop

## Coupe circuit



●● Stop  
-● Marche  
●● Stop

## Sélection de vitesse (Optionnel)

2

Marche avant vitesse rapide

N

Neutre

R

Marche arrière

N

Neutre

1

Marche avant vitesse lente



Marche arrière

Marche avant



Marche arrière

## Manette embrayage



1 - Débrayé  
2 - Embrayé



Ne pas toucher aux surfaces chaudes.



Les gaz d'échappement sont dangereux. Ne pas utiliser dans un endroit mal aéré.



Couper le moteur avant de refaire le plein.



Interdit de fumer, de faire ou d'approcher du feu.



Puissance acoustique garantie.



Portez un casque anti-bruit.



Pictogrammes présents ou non suivant le modèle de machine.

# INFORMATIONS TECHNIQUES

Modèle machine	TF 324	Niveau de pression acoustique au poste de conduite ( EN709 : 1997 / A4 : 2009 )	dB(A)	85
Poids	kg 52	Incertitude de mesure	dB(A)	1
Modèle moteur	750S-BH	Niveau de puissance acoustique mesurée ( EN709 : 1997 / A4 : 2009 )	dB(A)	98
Puissance nette (*)	KW 3.45	Incertitude de mesure	dB(A)	1
pour un régime moteur	tr/mn 3600	Niveau de vibrations aux mains de l'opérateur ( EN709 : 1997 / A4 : 2009 )	m/s²	7
Puissance nominale	KW 3.3	Incertitude de mesure	%	2
Régime moteur nominal	tr/mn 3300			
Niveau de puissance acoustique garantie	dB(A) 100			

\* La puissance du moteur indiquée dans ce document est une puissance nette obtenue par l'essai d'un moteur de série selon la norme SAE J 1349 à une vitesse de rotation donnée. La puissance d'un autre moteur de production peut être différente de cette valeur indiquée. La puissance réelle d'un moteur installé sur une machine dépendra de différents facteurs comme la vitesse de rotation, les conditions de température, d'humidité, de pression atmosphérique, de maintenance et autres.

## DEBALLAGE / ASSEMBLAGE

**NOTA:** Dans un souci permanent d'amélioration, le constructeur précise que l'intégralité de ce manuel n'est pas contractuelle, et se réserve le droit de modifier sans prévenir, les spécifications de ses machines.

### Déballage

1.1

**ATTENTION :**  
Un assemblage inapproprié de cette motobineuse peut provoquer des blessures graves. Assurez-vous de suivre toutes les instructions soigneusement.

**ATTENTION :**  
Prendre garde à ne pas couper les câbles ou à rayer la peinture de la machine en coupant les arêtes de la caisse.

Rep.	Contenu de la caisse
A	Pochette notices + pièces + pochette boulonnerie
B	Bloc moteur
C	Roues de transport
D	Aile de protection gauche
E	Aile de protection droite
F	Option fraises additionnelles
G	Capot guidon

### Montage roue de transport

1.2

**ATTENTION :**  
Ne pas bloquer l'écrou (5) afin de conserver un bon fonctionnement du relevage de la roue.

### Montage des outils

1.3

- Diamètre des outils de travail : 320 mm  
- Largeur de travail (4 ou 6 fraises) 590 / 850 mm

**ATTENTION :**  
Ne pas utiliser d'outils rotatifs d'un diamètre supérieur à 320mm et d'une largeur de travail supérieure à 850mm. Prendre garde au sens de montage des fraises et des goupilles.

### Montage des ailes de protection

1.4

### Montage guidon

1.5

### Montage serre-câbles

1.6

### Description des éléments

1.7

- 1 - Commande de gaz
- 2 - Moteur
- 3 - Roue de transport
- 4 - Outils rotatifs
- 5 - Disque protège-plants
- 6 - Tôle de protection
- 7 - Éperon de terrage
- 8 - Capot de courroie
- 9 - Réglage de position du guidon
- 10 - Levier marche arrière (option)
- 11 - Levier d'embrayage

### Plaque d'identification de la machine

1.8

- A - Puissance nominale
- B - Masse en kilogrammes
- C - Numéro de série
- D - Année de fabrication
- E - Type de la machine
- F - Nom et adresse du constructeur
- G - Identification CE
- H - 30 = Motobineuse à moteur thermique

### Roue de transport

1.9

- A = Position travail  
B = Position transport

### Réglage guidon

1.10

- A = Réglage en hauteur

## DEMARRAGE MACHINE

### Plein d'huile et niveau

2.1

- Remplir et faire le niveau d'huile du carter moteur.
- Remplir le boîtier de filtre à air jusqu'au repère OIL LEVEL avec la même huile

### Plein d'essence

2.2

Super ou sans plomb  
ou SP95 E10.

### Ouvrir le robinet d'essence

2.3

### Mettre le starter sur la position A

2.4

### Accélérateur

2.5

Mettre le levier vers :



### Tirer sur la poignée du lanceur

2.6

**ATTENTION :**  
Lors du démarrage de la machine toujours rester dans la zone de sécurité.

### Starter

2.7

Mettre le starter sur la position B.

EN

DE

FR

ES

IT

NL

## UTILISATION

Cette machine est destinée à :

EN

- La préparation de la terre pour les plantations.

DE

- l'entretien des plantations et parterre de fleurs.

FR

Cette machine n'est pas destinée à une utilisation professionnelle.

ES

IT

NL



3.1

← Marche avant



Il est impératif de lâcher l'embrayage avant d'utiliser l'inverseur de marche.



Respecter une zone de sécurité de 20 m de rayon autour de la machine.



Après démarrage, ne pas laisser tourner le moteur à vide, commencer à travailler dès que possible en actionnant la commande d'embrayage des outils. IL est inutile de faire chauffer le moteur, le faire tourner à vide plus de 2 minutes sans embrayer les outils peut causer d'importants dégâts au système d'embrayage et sa courroie.



3.2

← Marche arrière



Il est impératif de lâcher l'embrayage avant d'utiliser l'inverseur de marche.



Respecter une zone de sécurité de 20 m de rayon autour de la machine.



L'utilisation de la marche arrière est dangereuse. Assurez vous qu'aucun obstacle ne se trouve derrière vous et réduisez le régime moteur avant d'embrayer.

## ARRÊT



4.1

← Arrêt outils fraise

Relâcher le levier d'embrayage.



4.2

← Arrêt moteur





Mettre la commande d'accélérateur sur STOP.



4.3

← Fermer le robinet d'essence

## TABLEAU D'ENTRETIEN

Contrôles quotidiens	Toutes les 8 heures (tous les jours)
<p>Avant de mettre le moteur en marche, vérifier les points suivants.</p> <ul style="list-style-type: none"> <li>■ Absence de boulons et écrous desserrés ou cassés.</li> </ul>	<ul style="list-style-type: none"> <li>■ Nettoyer le moteur et vérifier boulons et écrous</li> <li>■ Vérifier et faire le plein d'huile (<i>Faire l'appoint chaque jour jusqu'au niveau maxi</i>)</li> <li>■ Vidanger l'huile moteur (au bout de 20 heures)</li> </ul>
<p> <b>4.4</b> ← ■ Propreté de l'élément du filtre à air et niveau d'huile.</p>	<p><b>Toutes les 50 heures (toutes les semaines)</b></p> <ul style="list-style-type: none"> <li>■ Vidanger l'huile moteur (toutes les 100 heures)</li> <li>■ Nettoyer la bougie (toutes les 100 heures)</li> <li>■ Nettoyer le filtre à air</li> </ul>
<p> <b>Ne pas utiliser de solvant inflammable pour nettoyer l'élément mousse du filtre à air.</b></p>	<p><b>Toutes les 200 heures (tous les mois)</b></p> <ul style="list-style-type: none"> <li>■ Changement de l'élément du filtre à air</li> <li>■ Nettoyer la coupelle à carburant</li> <li>■ Nettoyer et régler la bougie et les électrodes</li> </ul>
<p> <b>2.1</b> ← ■ Niveau d'huile moteur propre.</p>	<p><b>Toutes les 300 heures</b></p> <ul style="list-style-type: none"> <li>■ Vérifier et régler le jeu de soupape</li> </ul>
<ul style="list-style-type: none"> <li>■ Absence de fuites d'essence et d'huile moteur.</li> </ul>	<p><b>Toutes les 500 heures</b></p> <ul style="list-style-type: none"> <li>■ Nettoyer la calamine de la culasse</li> <li>■ Nettoyer et régler le carburateur</li> </ul>
<p> <b>2.2</b> ← ■ Niveau d'essence suffisant.</p>	<p><b>Toutes les 1000 heures</b></p> <ul style="list-style-type: none"> <li>■ Révision générale du moteur si nécessaire</li> </ul>
<ul style="list-style-type: none"> <li>■ Sécurité de l'environnement.</li> <li>■ Absence de vibrations et de bruits excessifs.</li> </ul>	

EN

DE


FR

ES

IT

NL

## DÉPLACEMENT ET MANUTENTION

 **5.1** ← **Déplacement**

 **Arrêter le moteur.**

**A** Mettre la roue en position déplacement.

**B** Régler le guidon en position basse pour faciliter le déplacement de la machine.

**C** A l'aide du guidon soulever les fraises du sol et avancer.

- **Manutention** : ne pas soulever la machine seul. Le poids de la machine est indiqué sur la plaque constructeur et à la fin de ce manuel. Utiliser une méthode de manutention adaptée au poids de la machine et à la situation afin de garantir la sécurité.

- Le chargement et le déchargement de la machine dans une remorque doit s'effectuer à l'aide d'une rampe de chargement adaptée.

- Arrimer correctement la machine pour un transport en toute sécurité.

## RÉGLAGE CÂBLE D'EMBRAYAGE

EN



6.1

En position "embrayé", lorsque l'avancement se fait par saccades ou lorsque les fraises ne tournent pas, régler le câble d'embrayage.



6.3

**A**

Débloquer l'écrou du tendeur de câble d'embrayage.

**B**

Régler le tendeur jusqu'à obtenir un jeu de 20 mm à l'extrémité du levier d'embrayage.

**C**

Rebloquer l'écrou.

Rebrancher la bougie.

Démarrer la machine et essayer de nouveau.

Si le problème persiste, contacter votre revendeur.

DE

FR



6.2

Arrêter la machine et débrancher la bougie.

ES

IT

## RÉGLAGE CÂBLE MARCHÉ ARRIÈRE

NL



6.4

En position "embrayé", en cas de bruit anormal ou lorsque les fraises ne tournent pas, régler le câble de marche arrière.



6.6

**A**

Débloquer l'écrou du tendeur de câble de la manette inverseur de marche.

**B**

Régler le tendeur jusqu'à obtenir un jeu de 5 mm à l'extrémité du levier.

**C**

Rebloquer l'écrou.

Rebrancher la bougie.

Démarrer la machine et essayer de nouveau.

Si le problème persiste, contacter votre revendeur.



6.5

Arrêter la machine et débrancher la bougie.



# CONSIGNAS DE SEGURIDAD

Prestar especial atención a las indicaciones precedidas de las menciones siguientes:



**ATENCIÓN:** Indica una alta probabilidad de lesiones corporales graves, incluso un peligro mortal si no se siguen las instrucciones.

**PRECAUCIÓN:** Indica una posibilidad de lesiones corporales o de deterioro del equipo si no se siguen las instrucciones.

**NOTA:** Proporciona información útil.



Este símbolo apela a la prudencia al realizar algunas operaciones.

En caso de problemas o para cualquier pregunta relativa a la motoazada, dirigirse a un concesionario autorizado.



**ATENCIÓN:** La máquina se ha concebido para garantizar un servicio seguro y fiable en condiciones de uso conformes con las instrucciones. Antes de utilizar la máquina, leer y asimilar el contenido de este manual. En su defecto, podría verse expuesto a lesiones y el equipo podría resultar dañado.

## Formación / Información

- Familiarizarse con el uso correcto y los mandos antes de utilizar la máquina. Saber detener el motor rápidamente.
- La máquina debe utilizarse siempre de acuerdo con las recomendaciones indicadas en el manual de instrucciones.
- No olvidar que el usuario es responsable de los accidentes o fenómenos peligrosos que ocurran a las demás personas o a sus bienes. Es su responsabilidad evaluar los riesgos potenciales del terreno a trabajar y tomar todas las precauciones necesarias para garantizar su seguridad, en particular en las pendientes, los suelos accidentados, resbaladizos o blandos.
- No permitir en ningún caso que los niños o las personas no familiarizadas con estas instrucciones utilicen la máquina. Las normativas locales pueden establecer una edad mínima del usuario de la máquina.
- No trabajar en ningún caso en presencia de personas, en particular niños o animales, que se encuentren en un radio de 20 metros en torno a la máquina; el usuario debe permanecer imperativamente al mando de los manillares.
- No utilizar la máquina tras haber ingerido medicamentos o sustancias que se considere que pueden perjudicar la capacidad de reflejos y de vigilancia.
- Prestar especial atención en terrenos duros, ya que la máquina tendrá tendencia a ser mucho menos estable que en terrenos cultivados.
- Durante el trabajo, llevar siempre calzado resistente y antideslizante, y pantalones largos y ceñidos. No utilizar la máquina cuando se esté descalzo o se lleven sandalias. Recomendamos el uso de protectores auditivos.
- Utilizar la máquina para su uso previsto, es decir, el cultivo del suelo. Cualquier otro uso puede resultar peligroso o entrañar el deterioro de la máquina.

## Preparación:

- Inspeccionar minuciosamente la zona en la que vaya a utilizarse la máquina y eliminar todos los objetos que puedan ser proyectados por la misma (piedras, cables, cristales, objetos de metal...).
- Antes de utilizar la máquina, realizar siempre un control visual de la misma para garantizar que las herramientas y los deflectores no estén usados ni estropeados. Reemplazar las piezas usadas o estropeadas.
- Si la máquina está provista de un botón de parada del motor, mantener los cables eléctricos de parada del motor en buen estado de manera que se garantice la parada del motor.
- Verificar la ausencia de fugas de líquido (gasolina, aceite...).
- No utilizar la máquina sin guardabarros o tapas de protección y asegurarse de que todos los dispositivos de fijación estén bien apretados.

## Uso :

- No transportar nunca personas en la máquina.
- Arrancar el motor con precaución, respetando las instrucciones del fabricante y manteniendo los pies alejados de la(s) herramienta(s).
- Detener el motor cuando la máquina no esté bajo vigilancia.
- Caminar con la máquina, pero no correr con ella en ningún caso.
- Tirar de la máquina hacia uno mismo o invertir el sentido de la marcha (en caso de que esta opción esté disponible) con mucha precaución.
- Conservar la distancia de seguridad en relación con las herramientas rotativas, en función de la longitud del manillar.
- No colocar las manos ni los pies cerca de los elementos en rotación o debajo de ellos.
- En caso de:
  - vibración anormal,
  - bloqueo,
  - problema de embrague,
  - choque con un objeto extraño,
  - deterioro del cable de parada del motor (según modelo).
- Detener el motor inmediatamente (si el cable de parada del motor está cortado, accionar el mando del estérter, tal y como se describe en § "arranque del motor" para detener el motor), dejar que la máquina se enfríe, desenchufar el cable de bujía, inspeccionar la máquina y ponerse en contacto con un reparador autorizado para que efectúe las reparaciones necesarias antes de volver a utilizar la máquina.
- Trabajar únicamente con la luz del día o con una luz artificial de buena calidad.
- No utilizar la máquina en pendientes superiores a 10° (17 %).
- Trabajar las pendientes en sentido transversal, nunca en ascenso o en descenso.
- En terrenos inclinados, asegurar correctamente los pasos, cambiar de dirección con mucha precaución.
- El uso de accesorios distintos de los recomendados puede hacer que la máquina sea peligrosa y ocasionar daños en la misma que no estarán cubiertos por la garantía.

## Mantenimiento / almacenamiento

- Detener el motor y desenchufar la bujía antes de realizar cualquier operación de limpieza, verificación, cambio de herramienta(s), ajuste o mantenimiento de la máquina.
- Detener el motor, desenchufar la bujía y utilizar guantes gruesos para cambiar la(s) herramienta(s).

- Mantener todas las tuercas y los tornillos apretados con el fin de garantizar unas condiciones de uso seguras.
- Para reducir los riesgos de incendio, mantener el motor, el silenciador y la zona de almacenamiento de gasolina libres de vegetación, exceso de grasa o cualquier otra materia susceptible de inflamarse.
- Ponerse en contacto con un reparador autorizado para que reemplace los silenciadores de escape defectuosos.
- No reparar las piezas. Reemplazar las piezas por piezas originales.
- Reemplazar las herramientas por lotes completos con el fin de preservar el equilibrio.
- Por su seguridad, no modificar las características de la máquina. No modificar los ajustes de regulación de velocidad del motor ni utilizar el motor a una velocidad excesiva. Es esencial realizar un mantenimiento regular para garantizar la seguridad y el mantenimiento del nivel de rendimiento.
- Dejar que el motor se enfríe antes de guardar la máquina en un local.

## Atención, peligro, la gasolina es sumamente inflamable:

- Almacenar el carburante en recipientes especialmente previstos a este efecto. Llenar el depósito en el exterior únicamente y no fumar al realizar esta operación.
- No retirar en ningún caso el tapón del depósito de gasolina ni añadir gasolina mientras que el motor esté funcionando o esté caliente.
- Si se derrama gasolina por el suelo, no intentar arrancar el motor, sino alejar la máquina de esta zona y evitar provocar inflamaciones hasta que se hayan disipado los vapores de gasolina.
- Depositar la máquina en un lugar seco. No depositar la máquina en ningún caso en un local donde los vapores de gasolina puedan alcanzar una llama, una chispa o una fuente fuerte de calor.
- Colocar correctamente en su sitio los tapones del depósito y del alimentador de gasolina.
- Limitar la cantidad de gasolina en el depósito para reducir al mínimo las salpicaduras.
- No poner en funcionamiento el motor en un lugar viciado donde puedan acumularse los vapores de monóxido de carbono.
- El monóxido de carbono puede ser mortal. Asegurar una buena ventilación.

## Desplazamiento, manutención, transporte.

- Cualquier acción que se efectúe en la máquina, al margen del trabajo del suelo, debe realizarse con el motor parado y la bujía desenchufada.
- El desplazamiento (al margen del trabajo del suelo) debe efectuarse utilizando la rueda de transporte, tal y como se describe en § "desplazamiento".
- Manutención: no levantar la máquina solo. El peso de la máquina se indica en la placa de fabricante y al final de este manual. Utilizar un método de manutención adaptado al peso de la máquina y a la situación con el fin de garantizar la seguridad.
- La carga y la descarga de la máquina en un remolque debe efectuarse utilizando una rampa de carga adaptada. Estibar correctamente la máquina para un transporte con total seguridad.
- El transporte debe efectuarse con el motor parado y la bujía desenchufada, utilizando un remolque, no utilizar ningún otro medio de transporte.

EN

DE

FR

ES

IT

NL

# DEFINICIÓN DE PICTOGRAMAS

EN

DE

FR

ES

IT

NL



**ATENCIÓN**  
Peligro



**ATENCIÓN**  
Herramientas rotativas



**ATENCIÓN**  
Leer el manual de uso



**ATENCIÓN**  
Consultar el manual de uso y retirar la bujía antes de realizar cualquier intervención.



**ATENCIÓN**  
No utilizar sin protector (elementos giratorios).

## Mando de gas

(Según motor)



1

2

3



1

2



1

2

3

1 - Rápido  
2 - Lento  
3 - Parada



Marcha  
atrás

Marcha  
adelantet



Marcha  
atrás

## Palanca de embrague



1

2



1

2

1 - Desembragado  
2 - Embragado

## Cortacircuitos



Parada

Marcha

Parada



No tocar las superficies  
calientes.



Los gases de escape  
son peligrosos.  
No utilizar en un lugar  
mal ventilado.



Apagar el motor antes  
de llenar el depósito.



Prohibido fumar, hacer  
o acercar fuego.



Nivel presión acústica  
garantizada



Ponerse un casco  
antirruídos.



Pictogramas presentes o no según el modelo de máquina.

# DATOS TÉCNICOS

Modelo de máquina	TF 324	Nivel de presión acústica en el puesto de conducción ( EN709 : 1997 / A4 : 2009 )	dB(A)	85
Peso	kg 52	Incerteza de medida	dB(A)	1
Modelo de motor	750S-BH	Nivel de potencia acústica medida ( EN709 : 1997 / A4 : 2009 )	dB(A)	98
Potencia neta (*)	KW 3.45	Incerteza de medida	dB(A)	1
para un régimen motor	rv/min 3600	Nivel de vibraciones en las manos del operario ( EN709 : 1997 / A4 : 2009 )	m/s <sup>2</sup>	7
Potencia nominal	KW 3.3	Incerteza de medida	%	2
Régimen motor nominal	rv/min 3300			
Nivel de potencia acústica garantizada	dB(A) 100			

\* La potencia del motor indicada en este documento es una potencia neta obtenida por la prueba de un motor de serie según la norma SAE J 1349 a una velocidad de rotación dada. La potencia de otro motor de producción puede ser diferente de este valor indicado. La potencia real de un motor instalado en una máquina dependerá de diferentes factores, como la velocidad de rotación, las condiciones de temperatura, humedad, presión atmosférica, mantenimiento y demás.

## DESEMBALAJE / MONTAJE

**NOTA:** El fabricante, preocupado permanentemente por la mejora de sus productos, precisa que este manual, en su totalidad, no es contractual, y se reserva el derecho de modificar las especificaciones de sus máquinas sin previo aviso.

### Desembalaje

**ATENCIÓN:**  
El montaje inapropiado de esta motoazada puede provocar lesiones graves. Asegúrese de seguir todas las instrucciones cuidadosamente.

**ATENCIÓN:**  
Tenga cuidado de no cortar los cables o rayar la pintura de la máquina al cortar las aristas de la caja.

Ind.	Contenido de la caja
A	Bolsita manuales + piezas + bolsita de pernos
B	Bloque motor
C	Ruedas de transporte
D	Ala de protección izquierda
E	Ala de protección derecha
F	Opción fresas adicionales
G	Capó del manillar

### Montaje de rueda de transporte

**!** No bloquear la tuerca (5) con el fin de conservar un buen funcionamiento del levantamiento de la rueda.

### Montaje de herramientas

- Diámetro de herramientas de trabajo: 320 mm  
- Anchura de trabajo (4 ó 6 fresas) 590 / 850 mm

**!** No utilizar herramientas rotativas de un diámetro superior a 320 mm y de una anchura de trabajo superior a 850 mm. Tener cuidado con el sentido de montaje de las fresas y los pasadores.

### Montaje de alas de protección

### Montaje de manillar

### Montaje de sujetacables

### Descripción de elementos

- 1 - Mando de gas
- 2 - Motor
- 3 - Rueda de transporte
- 4 - Herramientas rotativas
- 5 - Disco protector de plantaciones
- 6 - Chapa de protección
- 7 - Espolón de regulación de profundidad
- 8 - Tapa de correa
- 9 - Empuñadura de ajuste de manillar
- 10 - Palanca de marcha atrás (opcional)
- 11 - Palanca de embrague

### Placa de identificación de la máquina

- A - Potencia nominal  
B - Masa en kilogramos  
C - Número de serie  
D - Año de fabricación  
E - Tipo de máquina  
F - Nombre y dirección del fabricante  
G - Identificación CE  
H - 30 = Motoazada de motor térmico

### Rueda de transporte

A = Posición de trabajo  
B = Posición de transporte

### Ajuste de manillar

A = Ajuste de altura

## PUESTA EN MARCHA DE LA MÁQUINA

### Verificar el nivel de aceite y llenar

■ Comprobar el nivel de aceite del cárter del motor y rellenarlo si fuese necesario.

■ Rellenar la estructura del filtro de aire hasta la marca OIL LEVEL con el mismo aceite.


### Llenado de gasolina

Súper o sin plomo o SP95 E10.

### Abrir la llave del carburante

### Poner el estérter en la posición A

### Acelerador

Mover la palanca hacia: 

### Tirar del asa del arrancador

**!** Una vez puesta en marcha la máquina, no moverse de la zona de seguridad.

### Estérter

Poner el estérter en la posición B.

EN

DE

FR

ES

IT

NL

## USO

Esta máquina está pensada para:

- Preparar la tierra para plantar.
- Cuidar plantaciones y parterres de flores.

Esta máquina no está destinada a usos profesionales.



Una vez puesta en marcha la máquina, no deje girar el motor en vacío. Empiece a trabajar lo antes posible accionando el mando de embrague de las herramientas.

Calentar el motor no sirve de nada. Hacerlo girar en vacío durante más de 2 minutos sin embragar las herramientas puede desgastar considerablemente el sistema de embrague y su correa.



3.1

Marcha adelante



3.2

Marcha atrás



El uso de la marcha atrás es peligroso. Asegúrese de que no haya ningún obstáculo detrás suyo y reduzca las revoluciones del motor antes de embragar.

EN

DE

FR

ES



Es imperativo soltar el embrague antes de utilizar el cambio de marchas.



Respete una zona de seguridad de 20 m de radio alrededor de la máquina.

IT

## PARADA

NL



4.1

Parada de herramientas de fresa

Soltar la palanca de embrague.



4.2

Parada del motor

Poner el mando de acelerador en PARADA.



4.3

Cerrar el grifo de gasolina

## TABLA DE MANTENIMIENTO

### Controles diarios

Antes de poner el motor en marcha, verificar los puntos siguientes.

- Ausencia de pernos y tuercas sueltos o rotos.



4.4

■ Limpieza del elemento del filtro del aire y nivel de aceite.



No utilizar disolventes inflamables para limpiar el elemento espumoso del filtro de aire.



2.1

■ Nivel de aceite motor limpio.

- Ausencia de fugas de gasolina y aceite motor.



2.2

■ Nivel de gasolina suficiente.

- Seguridad del entorno

- Ausencia de vibraciones y de ruidos excesivos

### Cada 8 horas (todos los días)

- Limpiar el motor y revisar pernos y tuercas
- Revisar y rellenar el aceite (Cambiar cada día hasta el nivel máximo)
- Cambiar el aceite del motor (cada 20 horas)

### Cada 50 horas (todas las semanas)

- Cambiar el aceite del motor (cada 100 horas)
- Limpiar la bujía (cada 100 horas)
- Limpiar el filtro del aire

### Cada 200 horas (todos los meses)

- Cambio del elemento del filtro del aire
- Limpiar la copela de carburante
- Limpiar y regular la bujía y los electrodos

### Cada 300 horas

- Revisar y regular las válvulas

### Cada 500 horas

- Limpiar el óxido de la culata
- Limpiar y regular el carburador

### Cada 1000 horas

- Revisión general del motor si es necesario

## DESPLAZAMIENTO Y MANUTENCIÓN

### Desplazamiento

5.1



Detener el motor.

A

Poner la rueda en posición de desplazamiento.

B

Ajustar el manillar en posición inferior para facilitar el desplazamiento de la máquina.

C

Con ayuda del manillar, levantar las fresas del suelo y avanzar.

EN

DE

FR

ES

IT

NL

## AJUSTE DEL CABLE DE EMBRAGUE



6.1

En posición "embragado", cuando el avance se realice por sacudidas o cuando las fresas no funcionen, ajustar el cable de embrague.



6.2

Detener la máquina y desenchufar la bujía.



6.3

A

Desbloquear la tuerca del tensor de cable de embrague.

B

Ajustar el tensor hasta obtener un juego de 20 mm en el extremo de la palanca de embrague.

C

Volver a bloquear la tuerca.  
Volver a enchufar la bujía.

Arrancar la máquina e intentarlo de nuevo.

Si el problema persiste, contactar a su distribuidor.

## AJUSTE DEL CABLE DE MARCHA ATRÁS



6.4

En posición "embragado", en caso de ruido anormal o cuando las fresas no funcionen, ajustar el cable de marcha atrás.



6.5

Detener la máquina y desenchufar la bujía.



6.6

A

Desbloquear la tuerca del tensor de cable de la palanca inversor de marcha.

B

Ajustar el tensor hasta obtener un juego de 5 mm en el extremo de la palanca.

C

Volver a bloquear la tuerca.  
Volver a enchufar la bujía.

Arrancar la máquina e intentarlo de nuevo.

Si el problema persiste, contactar a su distribuidor.

Porre la massima attenzione alle avvertenze precedute dalle seguenti indicazioni:

EN



**ATTENZIONE:** Indica un rischio elevato di gravi ferite o persino di morte, se non vengono rispettate le istruzioni.

DE

**PRECAUZIONE:** Indica un rischio di ferite o di danno all'attrezzatura, se non vengono osservate le istruzioni.

FR

**NOTA:** Fornisce informazioni utili.

ES



Questo simbolo richiama alla massima prudenza durante determinate operazioni.

IT

In caso di problemi o per qualsiasi domanda riguardante la motozappa, rivolgersi ad un concessionario autorizzato.

NL



**ATTENZIONE:** La macchina è stata progettata per garantire un servizio sicuro ed affidabile in condizioni d'uso conformi alle istruzioni. Prima di adoperare la macchina, leggere attentamente e comprendere le istruzioni contenute nel presente manuale. La mancata osservanza di questa raccomandazione comporta pericolo per l'incolumità delle persone e la possibilità di arrecare danni alla macchina.

## Training / Informazioni

- Familiarizzarsi con l'utilizzo corretto e con i comandi prima di utilizzare la macchina. È necessario imparare come arrestare il motore rapidamente.
- La macchina va sempre utilizzata osservando le raccomandazioni contenute nel manuale istruzioni.
- Tenere presente che l'utilizzatore della macchina è responsabile degli incidenti e dei pericoli nei quali possono incorrere le altre persone o i loro beni. Sua è la responsabilità di valutare i potenziali rischi presenti nella zona di lavoro e prendere tutte le dovute precauzioni per garantire la propria sicurezza, in particolare su pendii ripidi, terreni accidentati, scivolosi o instabili.
- Non lasciare utilizzare la macchina ai bambini o a chi non ha dimestichezza con le presenti istruzioni. Eventuali normative locali in vigore nel paese d'utilizzo richiedono che l'operatore abbia un'età minima.
- Non lavorare quando sono presenti nel raggio di sicurezza di 20 metri dalla macchina, persone, e in particolare bambini, o animali domestici; l'operatore stesso deve rimanere al comando della macchina.
- Non adoperare la macchina quando si è sotto l'effetto di alcolici, farmaci o altre sostanze che agiscono sui riflessi e sull'attenzione.
- Si invita alla massima cautela su terreni compatti: la macchina sarà meno stabile rispetto ai terreni coltivati.
- Per tutta la durata del lavoro, indossare calzature resistenti con suola non scivolosa e pantaloni lunghi aderenti. Non lavorare mai a piedi nudi o calzando sandali. Si raccomanda inoltre l'uso di dispositivi di protezione auricolare.
- Adoperare la macchina esclusivamente per l'uso previsto, ossia la zappatura del terreno. Qualsiasi utilizzo diverso da quello sopra descritto comporta pericolo per l'incolumità delle persone e eventuali danni alla macchina.

## Preparazione:

- Ispezionare accuratamente l'area dove si dovrà lavorare avendo cura di togliere tutti gli oggetti che potrebbero essere scagliati dalla macchina (pietre, fili, vetri, oggetti metallici...).
- Prima di iniziare il lavoro, procedere sempre ad un'ispezione visiva della macchina per verificare che gli utensili e i deflettori non siano usurati o danneggiati. Sostituire i pezzi usurati o danneggiati.
- Se la macchina è dotata di pulsante di arresto motore, mantenere in buono stato i cavi elettrici di arresto per garantire l'arresto del motore.
- Controllare che non vi siano perdite di liquidi (carburante, olio...).
- Non adoperare la macchina con i parafanghi o carter di protezione smontati e controllare che tutti i dispositivi di protezione siano bloccati.

## Utilizzo:

- Non è consentito il trasporto di persone sulla macchina.
- Avviare il motore con cautela osservando le istruzioni del costruttore e tenendo i piedi ben distanti dagli utensili.
- Arrestare il motore quando la macchina è lasciata incustodita.
- Camminare, non correre con la macchina.
- Usare la massima precauzione nel tirare la macchina verso di sé e nell'invertire il senso di marcia (se disponibile).
- Osservare una distanza di sicurezza rispetto agli elementi rotanti corrispondente alla lunghezza della stegola.
- Non mettere mai mani o piedi vicino o sotto le parti in movimento.
- In caso di:
  - vibrazione anomala,
  - bloccaggio,
  - problema di frizione,
  - urto con un corpo estraneo,
  - danno al cavo di arresto motore (a seconda del modello),
- Fermare immediatamente il motore (se il cavo di arresto motore è sezionato, attivare la leva dello starter seguendo le istruzioni descritte nel § "avvio motore" per arrestare il motore), lasciare raffreddare la macchina, ispezionare la macchina e far effettuare le riparazioni necessarie da un riparatore autorizzato prima di utilizzare la macchina di nuovo.
- Lavorare soltanto alla luce del giorno od in presenza di una buona illuminazione artificiale.
- Non adoperare mai la macchina su pendenze superiori ai 10° (17%).
- Sulle pendenze, non lavorare in salita o in discesa ma sempre trasversalmente.
- Sui terreni in pendenza, accertarsi dei propri punti di appoggio e cambiare direzione con la massima cautela.
- L'utilizzo di accessori diversi da quelli raccomandati può rendere pericoloso l'utilizzo della macchina e provocare danni alla macchina non coperti dalla garanzia.

## Manutenzione / rimessaggio

- Fermare il motore e staccare il cavo della candela prima di effettuare le operazioni di pulizia, di verifica, di cambio utensile, di regolazione o di manutenzione macchina.
- Fermare il motore, staccare il cavo della candela e indossare guanti spessi per cambiare gli utensili.

- Controllare che tutti i dadi e le viti siano ben serrati a fondo per garantire condizioni d'utilizzo sicure.
- Per evitare pericolo di incendio, tenere il motore, il silenziatore e la zona di stoccaggio del carburante ben puliti da vegetali, da grasso in eccesso e da qualsiasi altro elemento infiammabile.
- Far sostituire i silenziatori di scarico difettosi da un riparatore autorizzato.
- Non riparare i pezzi. Far effettuare la sostituzione con ricambi originali.
- Sostituire gli utensili per lotti completi per mantenere il bilanciamento.
- Per motivi di sicurezza, non modificare le caratteristiche della macchina. Non modificare le regolazioni di velocità del motore e non utilizzare il motore a velocità eccessiva. Una manutenzione regolare è essenziale per garantire la sicurezza e le prestazioni della macchina.
- Lasciare raffreddare il motore prima di riporre la macchina in un locale chiuso.

## Attenzione pericolo la benzina è altamente infiammabile:

- Conservare la benzina in recipienti idonei per lo stoccaggio. Effettuare il pieno di benzina esclusivamente all'aperto e non fumare durante le operazioni di rifornimento.
- Non togliere il tappo del serbatoio della benzina né aggiungere benzina se il motore è in moto oppure ancora caldo.
- Nell'eventualità vi fosse stata fuoriuscita di benzina, non avviare il motore. Allontanare la macchina dalla zona e evitare qualsiasi fonte di accensione prima che i vapori del combustibile si siano dissipati.
- Riporre la macchina in un locale asciutto. Non tenere la macchina in ambienti dove i vapori di benzina potrebbero raggiungere fiamme, scintille o sorgenti di calore.
- Riposizionare correttamente i tappi del serbatoio e della riserva di benzina.
- Limitare la quantità di benzina all'interno del serbatoio per ridurre gli spruzzi.
- Non avviare il motore in un ambiente chiuso dove si può accumulare il monossido di carbonio.
- Il monossido di carbonio può essere mortale. Controllare che la ventilazione sia sufficiente.

## Spostamento, manutenzione, trasporto.

- Qualsiasi azione sulla macchina non riguardante la zappatura del terreno va effettuata a motore spento e con il cavo della candela scollegato.
- Lo spostamento (al di fuori delle operazioni di zappatura) si effettua utilizzando il ruotino di trasferimento come descritto nel § "spostamento".
- Movimentazione: non sollevare la macchina da solo. Il peso della macchina è indicato sulla targhetta del costruttore e in calce al presente manuale. Per operare in totale sicurezza, il metodo utilizzato per la movimentazione deve essere adeguato al peso della macchina e ad ogni situazione.
- Le operazioni di carico e di scarico della macchina su un rimorchio si effettuano con una rampa di carico idonea. Bloccare la macchina per garantire un trasporto in totale sicurezza.
- Il trasporto si effettua su un rimorchio, con il motore spento e il cavo della candela scollegato. È vietato adoperare un qualsiasi altro mezzo di trasporto.



# SIGNIFICATO DEI SIMBOLI



**ATTENZIONE**  
Pericolo

**ATTENZIONE**  
Elementi in rotazione

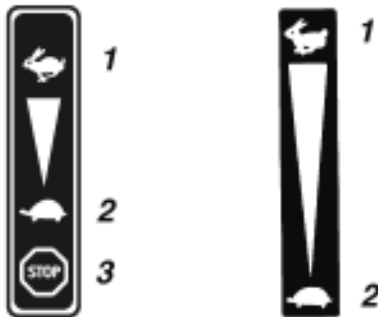
**ATTENZIONE**  
Leggere il manuale d'uso

**ATTENZIONE**  
Consultare il manuale d'uso e scollegare il cavo candela prima di qualsiasi intervento.

**ATTENZIONE**  
Non utilizzare con i dispositivi di protezione smontati (elementi rotanti).

## Leva di comando acceleratore

(A seconda della motorizzazione)



1 - Rapido  
2 - Lento  
3 - Stop.



Retromarcia

Marcia avanti



Retromarcia

## Leva di comando frizione



1

2

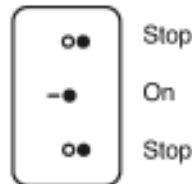


1

2

1 - Disinnestato  
2 - Innestato

## Dispositivo di arresto



Stop

On

Stop



Non toccare le superfici calde.



I gas di scarico sono pericolosi. Non adoperare in un locale non sufficientemente ventilato.



Spegnere il motore prima del rifornimento.



È vietato fumare, fare fuoco o avvicinarsi al fuoco.



Livello di pressione acustica garantito



Indossare un dispositivo di protezione auricolare



Simboli presenti o no a seconda dei modelli macchina.

# CARATTERISTICHE TECNICHE

Modello macchina	TF 324	Livello di pressione acustica al posto di guida		
Peso	Kg 52	( EN709 : 1997 / A4 : 2009 )	dB(A)	85
Modello motore	750S-BH	Incertezza di misura	dB(A)	1
Potenza netta (*)	KW 3.45	Livello di potenza acustica misurata		
per un regime motore	giri/min. 3600	( EN709 : 1997 / A4 : 2009 )	dB(A)	98
Potenza nominale	KW 3.3	Incertezza di misura	dB(A)	1
Regime motore nominale	girir/mn. 3300	Livello delle vibrazioni alla mano dell'operatore		
Livello di potenza acustica garantita		( EN709 : 1997 / A4 : 2009 )	m/s <sup>2</sup>	7
dB(A) 100		Incertezza di misura	%	2

\* La potenza del motore indicata nel presente documento è la potenza netta ottenuta su un motore di serie ai sensi della norma SAE J 1349 ad una data velocità di rotazione. La potenza di un altro motore di produzione può risultare diversa da quella indicata. La potenza effettiva del motore installato sulla macchina può variare in funzione di diversi fattori quali la velocità di rotazione, la temperatura, l'umidità, la pressione atmosferica, la manutenzione, ecc.

EN

DE

FR

ES

IT

NL

## APERTURA DELL'IMBALLO / INSTALLAZIONE

EN

DE

FR

ES

IT

NL

NOTA: il costruttore precisa che il presente manuale non è contrattuale: impegnato in un costante miglioramento dei propri prodotti, si riserva il diritto di apportare senza preavviso modifiche alle specifiche delle sue macchine.

### Apertura dell'imballo



#### ATTENZIONE:

Il montaggio errato della motozappa costituisce pericolo per l'incolumità delle persone. Controllare che tutte le istruzioni siano accuratamente rispettate.



#### ATTENZIONE:

Porre particolare attenzione a non sezionare i cavi e a non graffiare la vernice della macchina aprendo lo scatolone.

Rif.	Contenuto dello scatolone
A	Busta istruzioni + pezzi + busta bulloneria
B	Blocco motore
C	Ruotini di trasferimento
D	Carter di protezione sinistro
E	Carter di protezione destro
F	Optional frese supplementari
G	Copri della stegola



### Montaggio ruotino di trasferimento



Non stringere il dado (5) per garantire il corretto sollevamento del ruotino.



### Installazione degli utensili

- Diametro degli utensili di lavoro: 320 mm  
- Larghezza di lavoro (4 o 6 frese) 590 / 850 mm



Non utilizzare utensili rotanti di diametro superiore a 320 mm con una larghezza di lavoro superiore a 850mm. Attenzione al senso di montaggio delle frese e delle spine.



### Installazione dei carter di protezione



### Montaggio della stegola



### Montaggio dei serracavi



### Descrizione degli elementi

- 1 - Leva di comando acceleratore
- 2 - Motore
- 3 - Ruotino di trasferimento
- 4 - Elementi rotanti
- 5 - Disco proteggipiante
- 6 - Lamiera di protezione
- 7 - Sperone
- 8 - Copricinghia
- 9 - Registro manubrio
- 10 - Leva marcia retromarcia (optional)
- 11 - Leva di comando frizione



### Targhetta d'identificazione della macchina

- A - Potenza nominale  
B - Massa in chilogrammi  
C - Numero di serie  
D - Anno di fabbricazione  
E - Tipo macchina  
F - Nome e indirizzo del costruttore  
G - Marcatura CE  
H - 30 = Motozappa a motore termico



### Ruotino di trasferimento

- A = Posizione lavoro  
B = Posizione trasferimento



### Regolazione manubrio

- A = Regolazione in altezza

## AVVIO DELLA MACCHINA



### Pieno d'olio e livello

- Riempire e controllare il livello dell'olio del carter del motore.
- Riempire la scatola del filtro dell'aria fino al riferimento OIL LEVEL con lo stesso olio



### Pieno di benzina

Super o senza piombo o SP95 E10.



### Aprire il rubinetto della benzina



### Posizionare lo starter su A



### Acceleratore

Posizionare la leva verso:



### Tirare la leva di avviamento



Durante l'avvio della macchina, restare sempre nella zona di sicurezza.



### Starter

Posizionare lo starter su B.



## USO

Questa macchina è destinata:

- Alla preparazione del terreno per le attività di piantatura.

- Alla cura delle piantagioni e delle aiuole.

Questa macchina non è destinata all'uso professionale.



È imperativo rilasciare la frizione prima di usare l'invertitore di marcia.



Mantenere un'area di sicurezza di 20 m di raggio attorno alla macchina.



Dopo l'avviamento, non far girare il motore a vuoto, iniziare il lavoro non appena possibile azionando il comando di innesto degli attrezzi. È inutile far riscaldare il motore, farlo girare a vuoto per più di 2 minuti senza innestare gli attrezzi può provocare danni gravi al sistema di innesto e alla cinghia.



3.1

← Marcia avanti



3.2

← Retromarcia



L'uso della retromarcia è pericoloso. Assicuratevi che non vi sia alcun ostacolo dietro di voi e riducete il regime del motore prima di ingranare.

EN

DE

FR

ES

## ARRESTO



4.1

← Arresto degli utensili fresa

Rilasciare la leva frizione.



4.2

← Arresto motore

Portare la leva acceleratore su STOP.



4.3

← Chiudere il rubinetto carburante

IT

NL

## TABELLA DI MANUTENZIONE

### Controlli giornalieri

Prima di avviare il motore, controllare i seguenti punti.

- Assenza di bulloni e dadi allentati o rotti.



4.4

← Pulizia dell'elemento del filtro aria e livello dell'olio.



Non utilizzare solventi infiammabili per pulire l'elemento in schiuma del filtro aria.



2.1

← Livello dell'olio motore pulito.

- Assenza di perdite di carburante e di olio motore.



2.2

← Livello carburante sufficiente.

- Sicurezza dell'ambiente.

- Assenza di vibrazioni e di rumori eccessivi.

### Ogni 8 ore (tutti i giorni)

- Pulire il motore e verificare bulloni e dadi
- Verificare e fare il pieno d'olio ( Rabboccare ogni giorno fino al livello maxi)
- Sostituire l'olio motore (dopo 20 ore)

### Ogni 50 ore (tutte le settimane)

- Sostituire l'olio motore ( ogni 100 ore)
- Pulire la bugia (ogni 100 ore)
- Pulire il filtro aria

### Ogni 200 ore (tutti i mesi)

- Cambio dell'elemento del filtro aria
- Pulire la coppetta carburante
- Pulire e regolare la candela e gli elettrodi

### Ogni 300 ore

- Verificare e regolare il gioco della valvola

### Ogni 500 ore

- Pulire la calamina del cilindro
- Pulire e regolare il carburatore

### Ogni 1000 ore

- Revisione generale del motore se necessario

## TRASPORTO E MANUTENZIONE

EN



← Trasporto

DE



Spegnere il motore.

FR



Mettere il ruotino in posizione trasferimento.

ES

IT

## REGOLAZIONE DEL CAVO FRIZIONE

NL



In posizione "innestato", quando la macchina avanza a scatti o quando le frese non girano, regolare il cavo frizione.



Arrestare la macchina e scollegare il cavo candela.



Allentare il dado del tendicavo della frizione.



Regolare il tenditore fino ad ottenere un gioco di 20 mm all'estremità della leva frizione.



Stringere di nuovo il dado.

Ricollegare il cavo candela.

Avviare la macchina e provare di nuovo.

Qualora il problema non fosse risolto, contattare il rivenditore.

## REGOLAZIONE DEL CAVO RETROMARCIA



In posizione "innestato", se si verifica un rumore anormale o se le frese non girano, regolare il cavo retromarcia.



Arrestare la macchina e scollegare il cavo candela.



Allentare il dado del tendicavo della leva invertitore di marcia.



Regolare il tenditore fino ad ottenere un gioco di 5 mm all'estremità della leva.



Stringere di nuovo il dado.

Ricollegare il cavo candela.

Avviare la macchina e provare di nuovo.

Qualora il problema non fosse risolto, contattare il rivenditore.

Bijzondere aandacht besteden aan de vermeldingen voorafgegaan door de volgende woorden:



**LET OP:** Er bestaat grote kans op ernstig lichamelijk letsel en zelfs de dood indien de instructies niet worden opgevolgd.

**VOORZORG:** Er bestaat kans op lichamelijk letsel of beschadiging van de uitrusting indien de instructies niet worden opgevolgd.

**OPMERKING:** Geeft nuttige inlichtingen.



Dit teken maant u aan tot voorzichtigheid bij bepaalde handelingen.

In geval van problemen of indien u vragen hebt met betrekking tot de motor schoffelmachine, moet u contact opnemen met een erkende dealer.



**LET OP :** De machine is ontworpen om veilig en bedrijfszeker te werken in het kader van gebruiksvoorwaarden die voldoen aan de instructies. Alvorens de machine in gebruik te nemen, moet u de inhoud van deze handleiding aandachtig lezen en in u opnemen. Indien u dit nalaat, stelt u zich bloot aan letsel en kan ook de uitrusting beschadigd raken.

## Opleiding / Inlichtingen

- Maak u vertrouwd met het juiste gebruik en de bedieningsorganen voordat u de machine gaat gebruiken. U moet weten hoe u de motor snel uit kunt zetten.
- De machine moet altijd gebruikt worden met inachtneming van de aanbevelingen vermeld in de instructiehandleiding.
- Niet vergeten dat de gebruiker altijd verantwoordelijk en aansprakelijk is voor ongevallen of gevaarlijke gebeurtenissen voor andere mensen of hun bezittingen. Hij is verantwoordelijk voor het inschatten van de mogelijke risico's van de te bewerken grond en hij moet alle nodige voorzorgsmaatregelen treffen met betrekking tot zijn eigen veiligheid, in het bijzonder op hellingen, onregelmatige grond, gladde of rulle grond.
- Nooit kinderen of mensen die niet vertrouwd zijn met deze instructies, de machine laten gebruiken. De plaatselijk vigerende regels kunnen een minimale leeftijd met betrekking tot het gebruik van de machine bepalen.
- Nooit werken als er mensen, en in het bijzonder kinderen of dieren, aanwezig zijn in een straal van 20 meter om de machine heen : de gebruiker moet altijd en immer achter de machine blijven staan met de handen op het stuur met de bedieningsorganen.
- De machine niet gebruiken als men medicijnen of andere stoffen die de reflexreacties en de oplettendheid kunnen aantasten, heeft ingenomen.
- Bij het werken op harde grond moet men bijzonder voorzichtig te werk gaan aangezien de machine de neiging zal vertonen minder stabiel te lopen dan op een reeds bewerkt stuk grond.
- Tijdens het werken altijd stevige schoenen met antislipzolen dragen evenals een lange en goed sluitende broek. De machine niet gebruiken met blote voeten of sandalen, wij raden bovendien aan gehoorbeschermers te dragen.
- De machine alleen gebruiken voor het doel waarvoor zij is ontworpen, te weten het bewerken van grond. Ieder ander gebruik kan gevaarlijk zijn of schade aan de machine berokkenen.

## Vorbereitung:

- De zone die men wenst te bewerken met de machine heel nauwkeurig inspecteren en alle voorwerpen die door machine geprojecteerd zouden kunnen worden (stenen, glas, metalen voorwerpen...) verwijderen.
- Voor het gebruik de machine altijd aan een visuele controle onderwerpen om te kijken of de werktuigen en de deflectors niet versleten of beschadigd zijn. Versleten of beschadigde onderdelen laten vervangen.
- Als de machine is uitgerust met een stopknop voor de motor, ervoor zorgen dat de elektrische stopkabels van de motor te allen tijde in goede staat verkeren om er zeker van te zijn dat de motor ook inderdaad zal stoppen in het voorkomende geval.
- Controleren of er geen lekkages zijn (benzine, olie ...)
- De machine niet zonder het spatbord of de beschermingskappen gebruiken en controleren of alle bevestigingsinrichtingen wel naar behoren zijn aangedraaid.

## Gebruik:

- Nooit mensen vervoeren op de machine.
- De motor voorzichtig opstarten met inachtneming van de instructies van de fabrikant en hierbij de voeten uit de buurt van het (de) werktuig(en) houden.
- De motor uitzetten als er niemand is om toezicht op de machine te houden.
- De machine alleen lopend voortduwen, nooit hollen.
- De machine altijd heel voorzichtig naar zich toetrekken en ook de rijrichting (indien aanwezig op de machine) altijd heel voorzichtig omzetten.
- Altijd de veiligheidsafstand ten opzichte van de draaiende werktuigen in acht nemen, deze wordt gegeven aan de hand van de lengte van het stuur.
- De handen of de voeten nooit plaatsen bij of onder de draaiende elementen.
- In geval van :
  - abnormale trillingen,
  - blokkering
  - probleem met de koppeling,
  - schok met een vreemd voorwerp,
  - beschadiging van de stopkabel van de motor (naar gelang model),
- De motor onmiddellijk uitzetten (als de stopkabel van de motor niet meer werkt, de bediening van de starter activeren zoals beschreven in § "opstarten motor" om de motor uit te zetten), de machine laten afkoelen, inspecteren en de nodige reparaties laten uitvoeren door een erkende reparateur voordat men de machine opnieuw gaat gebruiken.
- De machine alleen gebruiken in daglicht of met kunstlicht van goede kwaliteit.
- De machine niet gebruiken op hellingen van meer dan 10° (17%).
- Op hellingen moet men transversaal (overdwars) werken met de machine, nooit van boven naar beneden en omgekeerd.
- Op hellende vlakken ervoor zorgen dat men stevig in de schoenen blijft staan en alleen heel voorzichtig van richting veranderen.
- Het gebruik van andere dan de aanbevolen toebehoren kan het werken met de machine gevaarlijk maken en schade berokkenen aan de machine, deze schade wordt dan niet door de garantie gedekt.

## Onderhoud / opslag

- De motor uitzetten en de bougie verwijderen voordat men de machine gaat schoonmaken of inspecteren en voordat men een ander werktuig gaat gebruiken, de machine gaat instellen of tot onderhoudswerkzaamheden overgaat.
- De motor uitzetten en de bougie loshalen en stevige handschoenen gebruiken om een ander werktuig te monteren.

- Ervoor zorgen dat de moeren en schroeven altijd naar behoren zijn aangedraaid met het oog op veilige gebruiksvoorwaarden.
- Om het risico voor brand terug te brengen, ervoor zorgen dat er op en om de motor, de knaldemper en de plaats waar de benzine wordt opgeslagen geen plantresten, vesporen of andere stoffen die vlam kunnen vatten, aanwezig zijn.
- Als de knaldemper van de uitlaat defect raakt, hem laten vervangen door een erkende reparateur.
- De onderdelen niet zelf repareren, ze laten vervangen door oorspronkelijke onderdelen.
- De werktuigen door volledige sets vervangen met het oog op de instandhouding van een juist evenwicht.
- Veiligheidshalve mag u de eigenschappen van de machine niet wijzigen. De snelheidsinstellingen van de motor mogen niet gewijzigd worden en de motor niet gebruiken op een te hoge snelheid. Een regelmatig onderhoud is essentieel voor de veiligheid en de instandhouding van het prestatievermogen.
- De motor laten afkoelen voordat men de machine plaatst in een gesloten ruimte.

## Let op, gevaar, benzine is zeer ontvlambaar:

- De brandstof opslaan in speciaal hiervoor bestemde bussen of blikken. De machine alleen vullen buiten en niet roken tijdens deze handeling.
- Nooit de dop van de benzinetank afhalen of benzine bijvullen als de motor draait of nog warm is.
- Als er benzine op de grond terecht is gekomen, niet proberen de motor te starten op die plaats, de machine ergens anders verderop zetten en iedere bron van ontsteking uit de buurt houden van die plaats zolang de benzinedampen niet zijn verdamppt.
- De machine opslaan op een droge plaats. De machine nooit opslaan in een ruimte waar de benzinedampen in contact met een vlam, een vonk of een sterke warmtebron zouden kunnen komen.
- De doppen van de tank en de benzinezak naar behoren terug op hun plaats brengen.
- Niet teveel benzine gieten in de tank op oppassen te voorkomen.
- De motor niet laten draaien in een bedompte ruimte waar koolstof monoxide dampen zich zouden kunnen opstapelen.
- Koolstof monoxide kan dodelijk zijn. Zorgen voor een goede ventilatie.

## Verplaatsen, hanteren, vervoer.

- Alle handelingen verricht op de machine buiten het bewerken van de grond, moeten tot stand gebracht worden nadat de motor is uitgezet en de bougie is losgemaakt.
- De machine mag alleen verplaatst worden (buiten het bewerken van de grond) met gebruikmaking van het transportwielje zoals beschreven in de § "verplaatsen".
- Hanteren: de machine niet in uw eentje optillen, het gewicht van de machine staat vermeld op het plaatje van de constructeur aan het einde van deze handleiding. Gebruik een hantering methode aangepast aan het gewicht van de machine en de ter plaatse bestaande situatie om de veiligheid te waarborgen.
- De machine moet op en van een aanhangwagen af gereden worden met behulp van adequate laadbanen. De machine naar behoren vastzetten met het oog op de veiligheid tijdens het vervoer.
- Tijdens het transport, moet de motor van de machine zijn uitgezet en de bougie losgemaakt zijn, de machine mag alleen op een aanhangwagen vervoerd worden, gebruik geen ander transportmiddel hiervoor.

EN

DE

FR

ES

IT

NL

## DEFINITIE VAN DE PICTOGRAMMEN



**LET OP**  
Gevaar



**LET OP**  
Draaiende werktuigen



**LET OP**  
De gebruikshandleiding lezen



**LET OP**  
De gebruikshandleiding raadplegen en de bougie loshalen voordat men ingrepen op de machine gaat verrichten.



**LET OP**  
Niet gebruiken zonder bescherming (draaiende elementen).

### Gasbediening

(Naar gelang motorisering)



1  
2  
3



1  
2



1 - Snel  
2 - Langzaam  
3 - Stop.



Achteruit

Vooruit



Achteruit

### Koppelhandel



1

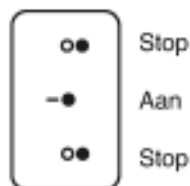
2



1  
2

1 - Ontkoppeld  
2 - Ingekoppeld

### Schakelaar stroomveiligheid



Stop  
Aan  
Stop



Niet aan de warme oppervlakken komen.



De uitlaatgassen zijn gevaarlijk, niet gebruiken in een niet naar behoren geventileerde ruimte.



De motor uitzetten voordat men brandstof gaat bijvullen.



Verboden te roken, vuur te maken of in de buurt van vuur te brengen.



Geluidsvermogen gegarandeerd



Draag een geluidwerende helm



Deze pictogrammen zijn wel of niet aanwezig op de machine naar gelang het model.

## TECHNISCHE INFORMATIE

Model machine	TF 324	Geluidsdruk niveau in de bestuurspost		
Gewicht	kg 52	( EN709 : 1997 / A4 : 2009 )	dB(A)	85
Model motor	750S-BH	Onzekerheid op het vlak van de meting	dB(A)	1
Zuiver vermogen (*)	KW 3.45	Gemeten niveau geluidsvermogen		
Bij motor toerental	tr/mn 3600	( EN709 : 1997 / A4 : 2009 )	dB(A)	98
Nominaal vermogen	KW 3.3	Onzekerheid op het vlak van de meting	dB(A)	1
Nominaal toerental motor	tr/mn 3300	Trillingniveau ter hoogte van de handen van de bediener		
Gegarandeerd geluidsvermogen niveau		( EN709 : 1997 / A4 : 2009 )	m/s²	7
	dB(A) 100	Onzekerheid op het vlak van de meting	%	2

\* Het vermogen van de motor zoals aangegeven in dit document is het zuivere vermogen verkregen in het kader van een serie motor test volgens de norm SAE J 1349 bij een bepaalde draaisnelheid. Het vermogen van een andere productie motor kan diensgevolge afwijken van deze waarde. Het ware vermogen van een motor geïnstalleerd in de machine hangt af van verschillende factoren zoals de draaisnelheid, de voorwaarden op het vlak van temperatuur, vochtigheid, luchtdruk, het onderhoud enzovoort.

## UITPAKKEN / ASSEMBLEREN

**OPMERKING :** Met het oog op een constante verbetering, preciseert de constructeur hier dan er geen rechten ontleend kunnen worden aan de inhoud van deze handleiding en behoudt hij zich het recht voor de specificaties van zijn machines zonder voorafgaande mededeling te wijzigen.

### Uitpakken 1.1

**LET OP:**  
Als deze motor schoffelmachine niet naar behoren geassembleerd wordt, loopt men gevaar ernstig lichamelijk letsel op te lopen. U moet ervoor zorgen dat alle instructies strikt opgevolgd worden.

**LET OP:**  
Wees voorzichtig, de kabels mogen niet beschadigd worden en ervoor zorgen dat er geen krassen ontstaan op de verf van de machine bij het opensnijden van de zijpanelen van de doos.

Nr.	Inhoud van de doos
A	Zakje met handleidingen + onderdelen + zakje met bouten en schroeven
B	Motor blok
C	Transportwielletjes
D	Beschermingsplaat links
E	Beschermingsplaat rechts
F	Optie extra frezen
G	Kap

### 1.2 Monteren transportwiel

**!** De moer (5) niet blokkeren om de juiste werking van het omhoog halen van het wiel veilig te stellen.

### 1.3 Monteren van de werktuigen

- Diameter van de werktuigen: 320 mm  
- Werkbreedte (4 of 6 frezen) 590 / 850 mm

**!** Geen draaiende werktuigen met een diameter van meer dan 320 mm gebruiken en een werkbreedte van meer dan 850mm.  
Let op de montage richting van de frezen en de pennen.

### 1.4 Monteren van de beschermingsplaten

### 1.5 Monteren van het stuur

### 1.6 Monteren van de kabelklem

### 1.7 Omschrijving van de elementen

- 1 - Gasbediening
- 2 - Motor
- 3 - Transportwiel
- 4 - Draaiende werktuigen
- 5 - Schijf loot beschermer
- 6 - Beschermingsplaat
- 7 - Aaarding klauw
- 8 - Riem kap
- 9 - Stelhendel stuur
- 10 - Hendel achterruit (optie)
- 11 - Koppeling

### 1.8 Identificatie plaatje van de machine

- A - Nominaal vermogen
- B - Massa in kilo's
- C - Serienummer
- D - Bouwjaar
- E - Type machine
- F - Naam en adres van de constructeur
- G - EG Identificatie
- H - 30 = Motor schoffelmachine met verbrandingsmotor

### 1.9 Transport wiel

A = Werkstand  
B = Transport stand

### 1.10 Instellen stuur

A = Hoogte instelling

## MACHINE STARTEN

### 2.1 Olie vol en niveau

- Vul met olie en breng de olie van de carter op peil.
- Vul de luchtfilterhouder tot aan de markering OIL LEVEL met dezelfde olie

### 2.2 Brandstof vol

Super of loodvrij of SP95 E10.

### 2.3 Open de brandstofkraan

### 2.4 Zet de starter op de stand A

### 2.5 Versnelling

Zet de hendel op: 

### 2.6 Trek aan de handgreep van de trekstarter

**!** Blijf altijd in de veilige zone tijdens het starten van de machine.

### 2.7 Starter

Zet de starter op de stand B.

EN

DE

FR

ES

IT

NL

## GEBRUIK

Deze machine is bestemd voor:

- de voorbereiding van de grond voor beplantingen.
- het onderhoud van beplantingen en bloembedden.



Na het starten de motor niet stationair laten draaien; zo snel mogelijk beginnen te werken door de aankoppelingsbediening voor de werktuigen in werking te stellen. Het is onnodig om de motor op te warmen; deze gedurende meer dan 2 minuten stationair laten draaien zonder de werktuigen aan te koppelen, kan grote schade veroorzaken aan het aankoppelsysteem en de drijfriem ervan.



3.1

Voorwaartse beweging



3.2

Achteruitbeweging



Gebruikmaken van de achteruitbeweging is gevaarlijk. Vergewis u ervan dat er zich geen obstakels achter u bevinden, en verlaag het motortoerental alvorens aan te koppelen.

EN

DE

FR

ES

Deze machine is niet bestemd voor professioneel gebruik.



Het is absoluut noodzakelijk om de koppeling los te laten, alvorens gebruik te maken van de omkeerschakelaar.



Een veiligheidszone met een straal van 20 m rond de machine in acht nemen.

IT

## STOPPEN

NL



4.1

Stoppen frees werktuigen

De koppeling loslaten.



4.2

Stoppen motor

De bediening van het gaspedaal zetten op STOP.



4.3

Het benzinekraantje dicht doen

## ONDERHOUDSTABEL

### Dagelijkse controles

Alvorens de motor aan te zetten, moeten de volgende punten gecontroleerd worden.

- Geen losgedraaide of gebroken bouten en moeren.



4.4

- Luchtfilter elementen moet schoon zijn en oliepeil.



Gebruik geen ontvlambaar oplosmiddel om het schuimlementen van de luchtfilter schoon te maken.



2.1

- Oliepeil motor schoon

- Geen benzine en motor olie lekkages.



2.2

- Benzinepeil toereikend

- Veiligheid van de omgeving.

- Geen buitensporige trillingen en geluiden.

### Om de 8 uur (iedere dag)

- De motor schoonmaken en de bouten en moeren controleren.
- Olie nakijken en vullen (iedere dag bijvullen tot aan het maximale peil)
- De motor olie legen en vervangen (na 20 uur)

### Om de 50 uur (iedere week)

- De motor olie legen en vervangen (om de 100 uur)
- De bougie schoonmaken (om de 100 uur)
- De luchtfilter schoonmaken

### Om de 200 uur (iedere maand)

- Het element van de luchtfilter vervangen
- Het brandstof bakje schoonmaken
- De bougie en de elektroden schoonmaken en bijstellen

### Om de 300 uur

- De speling van de kleppen controleren en bijstellen

### Om de 500 uur

- De cilinderkop van kool ontdoen
- De carburator schoonmaken en bijstellen

### Om de 1000 uur

- Grote beurt van de motor indien nodig

## VERPLAATSEN EN HANTEREN

### ← Verplaatsen

5.1



De motor uitzetten.

A

Het wiel in de transportstand zetten.

B

Het stuur in de lage stand zetten om de machine makkelijker te kunnen verplaatsen.

C

De frezen optillen van de grond met behulp van het stuur en naar voren gaan.

EN

DE

FR

ES

IT

NL

## INSTELLEN KABEL KOPPELING



6.1

In de « ingekoppelde » stand, als men met horten en stoten naar voren gaat of als de frezen niet draaien, moet de kabel van de koppeling bijgesteld worden.



6.2

De machine uitzetten en de bougie loshalen.



6.3

A

De moer van de spaninrichting van de kabel van de koppeling deblokkeren.

B

De spaninrichting bijstellen totdat men een speling van 20 mm heeft verkregen op het uiteinde van de hendel van de koppeling.

C

De moer opnieuw blokkeren.  
De bougie weer aansluiten.

De machine opstarten en opnieuw proberen.

Als het probleem niet verdwijnt, contact opnemen met de verkoper.

## INSTELLEN KABEL ACHTERUIT RIJDEN



6.4

In de « ingekoppelde » stand, in geval van abnormaal geluid of als de frezen niet draaien, moet de kabel van de achteruit bijgesteld worden.



6.5

De machine uitzetten en de bougie loshalen.



6.6

A

De moer van de spaninrichting van de kabel van de hendel van de omkeerinrichting van de machine deblokkeren.

B

De spaninrichting bijstellen totdat men een speling heeft verkregen van 5 mm op het uiteinde van de hendel.

C

De moer opnieuw blokkeren.  
De bougie weer aansluiten.

De machine opstarten en opnieuw proberen.

Als het probleem niet verdwijnt, contact opnemen met de verkoper.







1. HUSQVARNA AB

2. Husqvarna AB  
Drottninggatan  
561 82 Huskvarna (SWEDEN)

3. Husqvarna AB  
Drottninggatan  
561 82 Huskvarna (SWEDEN)

4. 3000\*\*07\*\*

5. 750S-BH

6. TF 324

7. 2006/42/CE - 2000/14/CE

### EC Declaration of conformity

I, the undersigned (13) (2) declare by the present document that the machine described below complies with the provisions of the Machine Directives (7).  
Description: Rotary tiller with IC engine; manufacturer (1); model (4); Type (5); Commercial Name (6); Serial Number (15).  
Authorised representative to validate the technical documentation (3).  
Reference to harmonised standards (8).  
Guaranteed acoustic power level (9).  
Measured acoustic power level (10).  
Drawn up at: (11) date: (12), signatory: (13) signature: (14).  
*See Serial No. (15) on last page*

### CE-Konformitätserklärung

Ich, der Unterzeichner, (13) (2), erkläre hiermit, dass die nachstehende Maschine den Richtlinien (7) entspricht.  
Bezeichnung: Motorhacke mit Verbrennungsmotor; Hersteller (1); Modell (4); Bauart (5); Handelsname (6); Seriennummer (15).  
Zur Freigabe der technischen Unterlagen autorisierter Vertreter (3).  
Bezug zu den harmonisierten Normen (8).  
Garantierter Schalleistungspegel (9).  
Gemessener Schalleistungspegel (10).  
Ort: (11) Datum: (12), Unterzeichner: (13) Unterschrift: (14).  
*Siehe Seriennummer (15) auf der letzten Seite*

### Déclaration CE de conformité

Jé, soussigné (13) (2) déclare par la présente que la machine décrite ci-dessous est conforme aux dispositions des Directives Machine (7).  
Description : Motobineuse à moteur thermique; fabricant (1); modèle (4); Type (5); Nom commercial (6); Numéro de série (15).  
Représentant autorisé à valider la documentation technique (3).  
Référence aux normes harmonisées (8).  
Niveau de puissance acoustique garantie (9).  
Niveau de puissance acoustique mesurée (10).  
Fait à : (11) date : (12), signataire : (13) signature : (14).  
*Voir n° de série (15) en dernière page*

### Declaración CE de conformidad

Yo, el abajo firmante (13) (2), declaro por la presente que la máquina descrita a continuación es conforme con lo dispuesto en las Directivas de Máquinas (7).  
Descripción: Motozarda de motor térmico; fabricante (1); modelo (4); Tipo (5); Nombre comercial (6); Número de serie (15).  
Representante autorizado encargado de validar la documentación técnica (3).  
Referencia a las normas armonizadas (8).  
Nivel de potencia acústica garantizada (9).  
Nivel de potencia acústica medida (10).  
Dado en: (11) fecha: (12), firmante: (13) firma: (14).  
*Ver n.º de serie (15) en la última página*

### Dichiarazione CE di conformità

Il sottoscritto (13) (2) dichiara che la macchina descritta qui sotto è conforme alle disposizioni delle Direttive Macchine (7).  
Descrizione: Motozappa a motore termico; fabbricante (1); modello (4); Tipo (5); Denominazione commerciale (6); Numero di serie (15).  
Rappresentante autorizzato a convalidare la documentazione tecnica (3).  
Riferimento alle norme armonizzate (8).  
Livello di potenza acustica garantita (9).  
Livello di potenza acustica misurata (10).  
Rilasciato a: (11) data: (12), nome della persona con facoltà di firma: (13) firma: (14).  
*Per il n° di serie (15) consultare l'ultima pagina*

### EG Verklaring van Overeenstemming

Hierbij verklaar ik ondergetekende (13) (2) dat de hieronder beschreven machine voldoet aan de bepalingen van de Machine Richtlijn (7).  
Omschrijving: Motor schoffelmachine met verbrandingsmotor; fabrikant (1); model (4); Type (5); Handelsnaam (6); Serienummer (15).  
Vertegenwoordiger bevoegd om de technische documentatie goed te keuren (3).  
Referentie met betrekking tot de geharmoniseerde normen (8).  
Gegarandeerd geluidsvermogen niveau (9).  
Gemeten niveau geluidsvermogen (10).  
Opgemaakt in: (11) datum: (12), ondertekenaar: (13) handtekening: (14).  
*Zie serienummer (15) op de laatste bladzijde*

8. EN 709 A4

11. Huskvarna

14.



9. 100 dB(A)

12. 23-07-2009

10. 98  $\pm$ 1 dB(A)

13. Bengt Ahlund

(15)



 **Husqvarna**

[www.husqvarna.com](http://www.husqvarna.com)