



Operator's manual
Leaf Blower

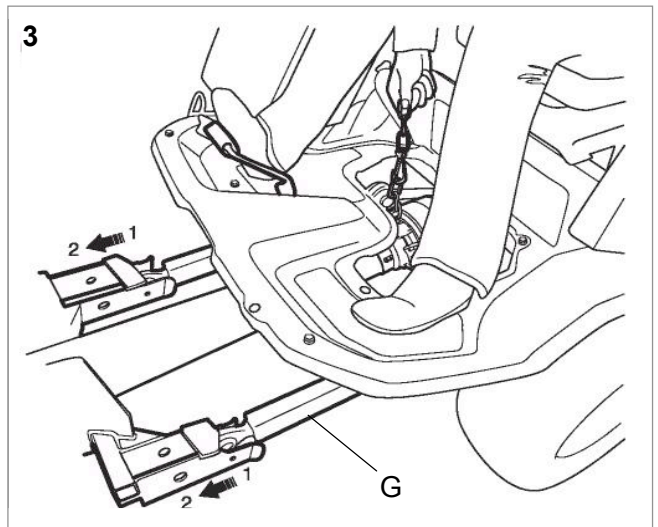
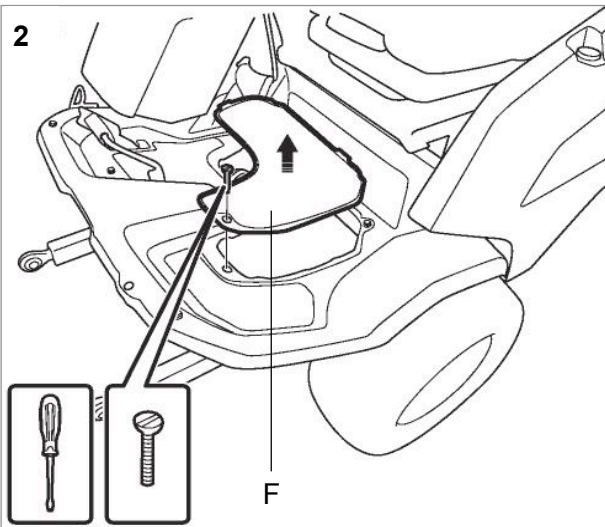
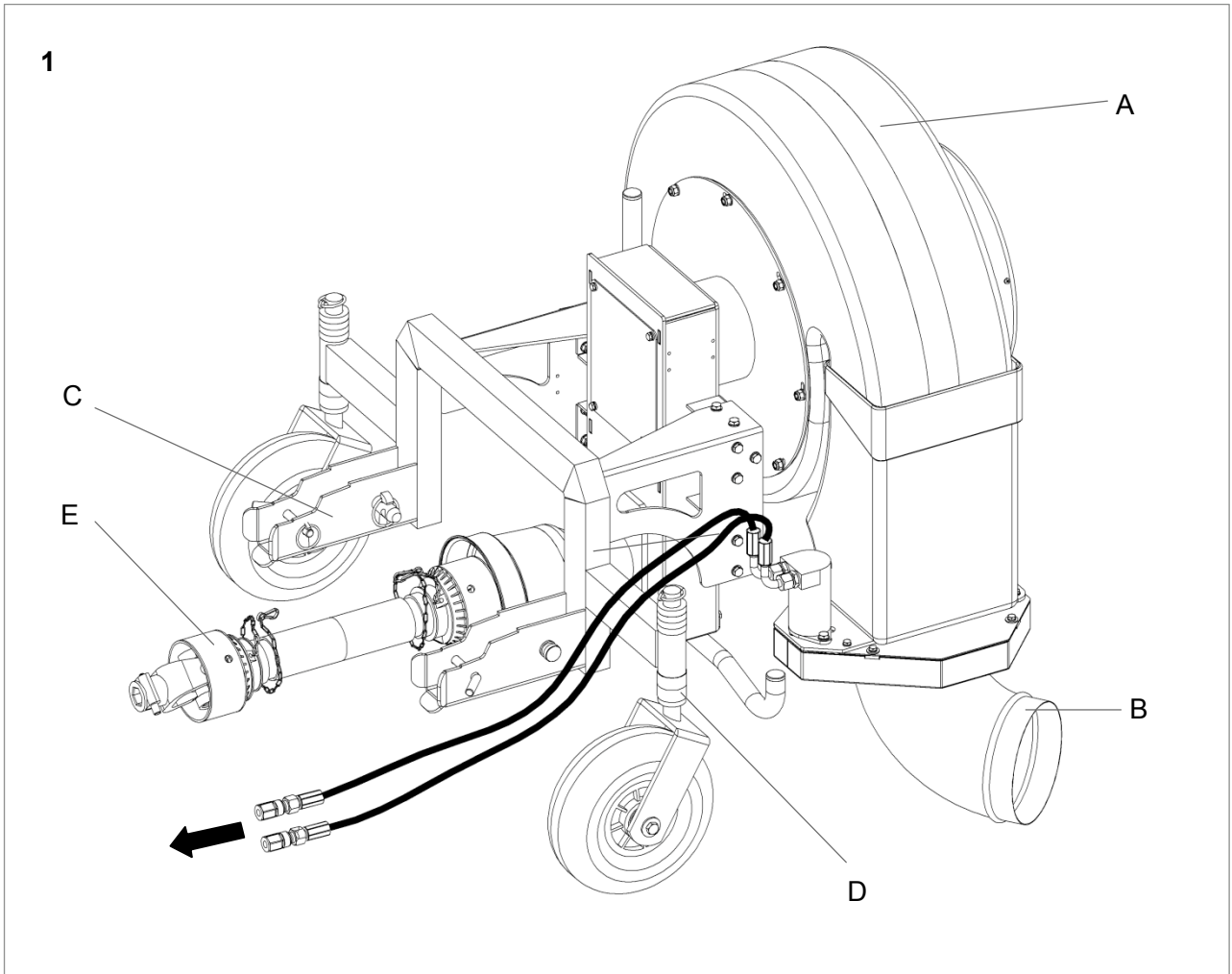
Please read the operator's manual carefully and make sure you understand the instructions before using the machine.

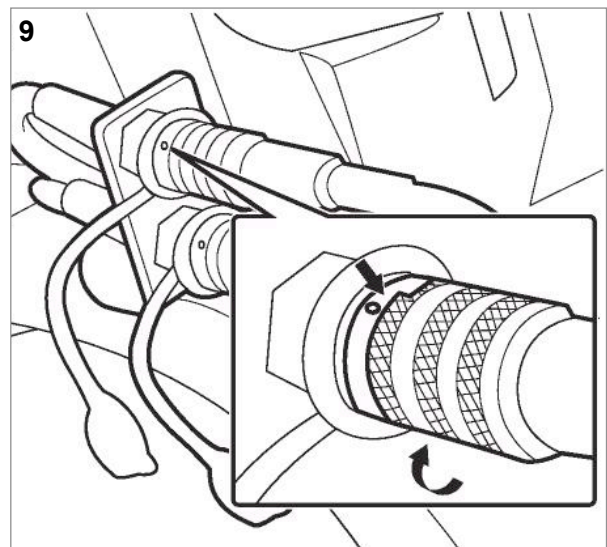
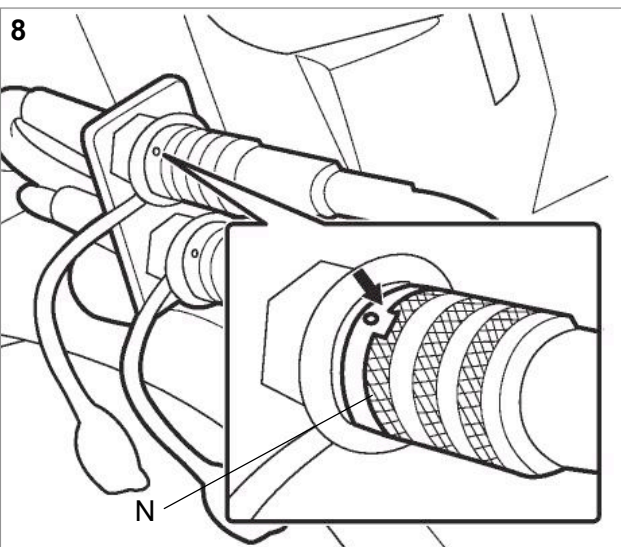
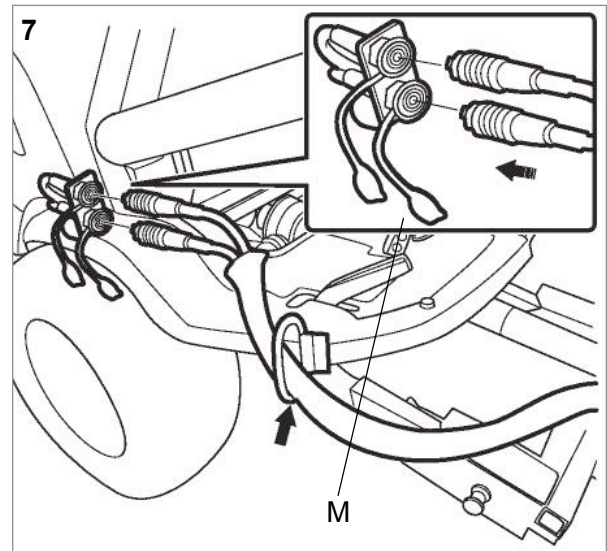
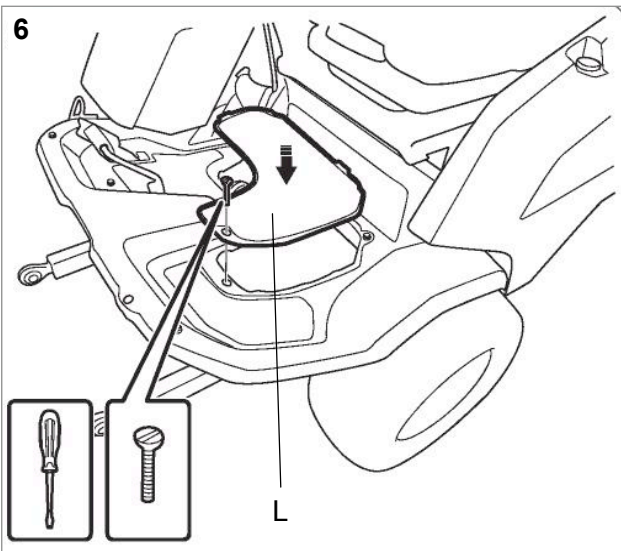
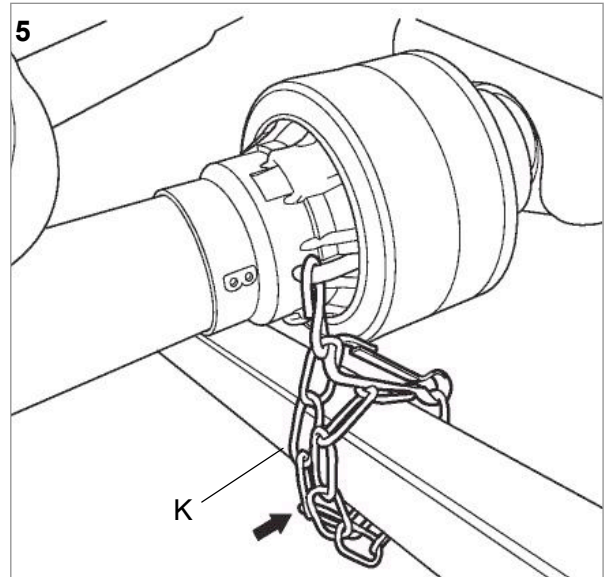
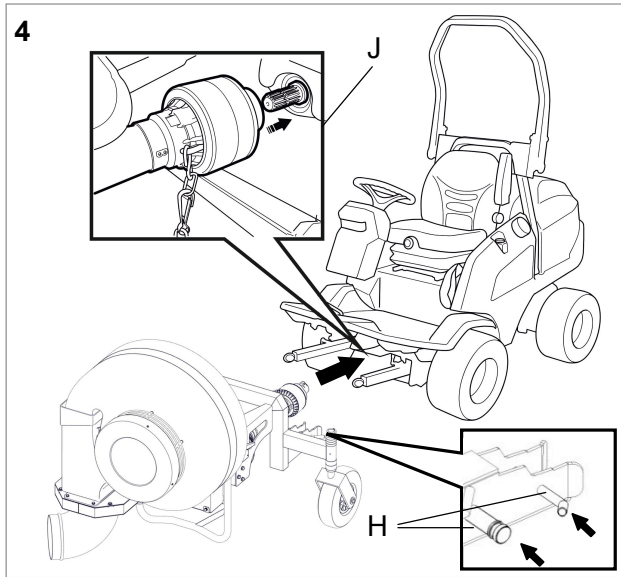


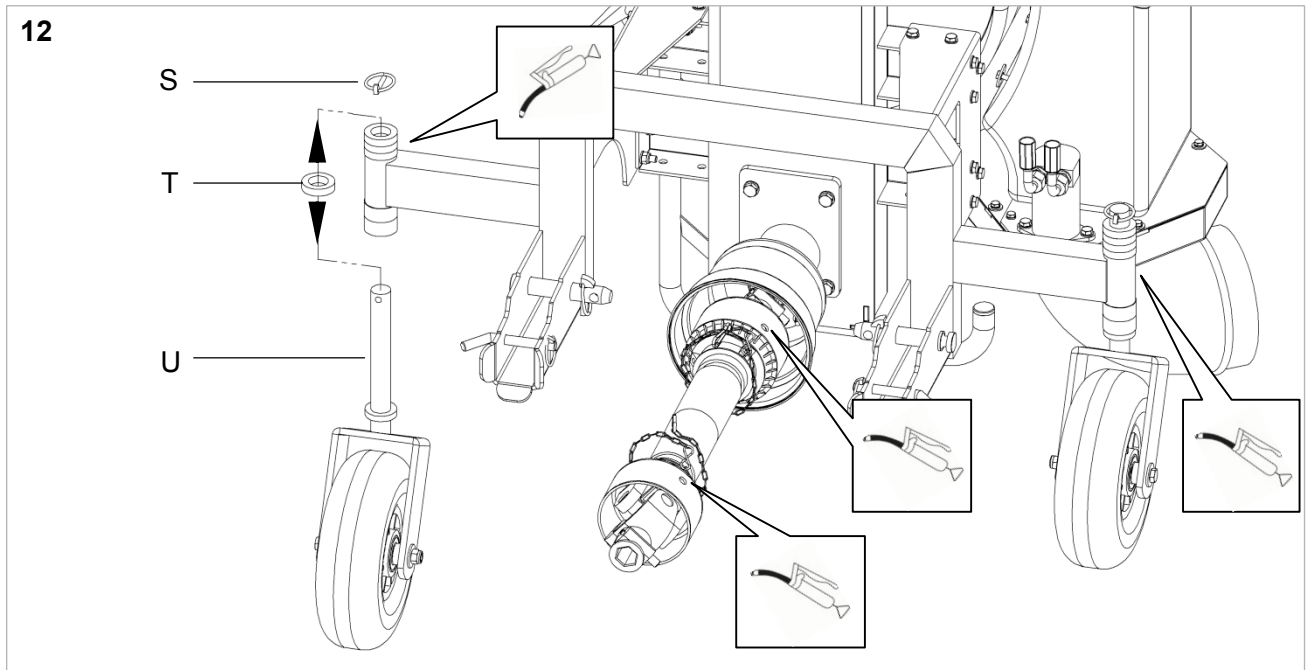
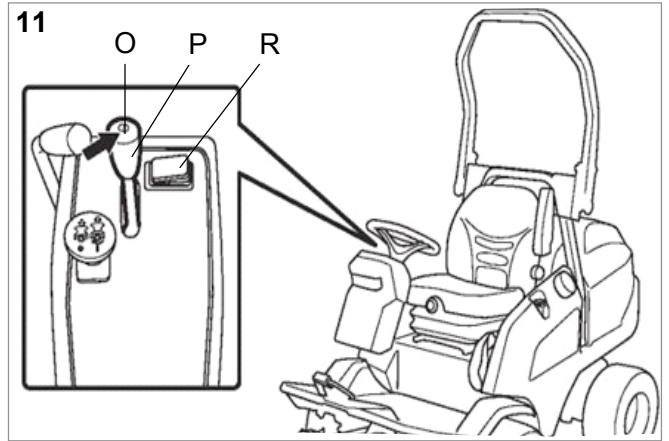
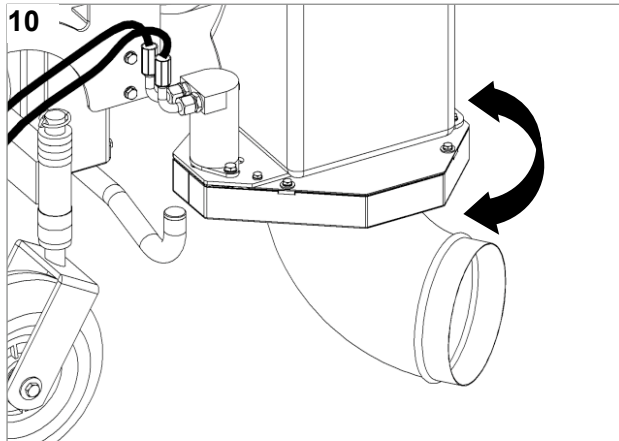
English

Contents

1	SAFETY INSTRUCTIONS	6
1.1	GENERAL	6
1.2	PROPER USE.....	6
1.3	GENERAL SAFETY AND ACCIDENT PREVENTION REGULATIONS	6
1.4	PICTOGRAMS USED	9
2	DESCRIPTION.....	10
2.1	GENERAL DESCRIPTION OF THE LEAF BLOWER.....	10
2.2	MOUNTING ON CARRIER VEHICLE	10
3	INSTALLATION	10
3.1	MECHANICAL COUPLING.....	10
3.2	CONNECTING HYDRAULIC HOSES	10
4	DETACHING	11
5	OPERATION.....	11
5.1	GENERAL	11
5.2	ADJUSTING THE WORKING HEIGHT	11
5.3	TRAVEL SPEED.....	11
6	MAINTENANCE	12
6.1	GENERAL	12
6.2	DAILY MAINTENANCE	12
6.3	MAINTENANCE AFTER 50 OPERATING HOURS OR LONG STOPPAGES.....	12
7	TECHNICAL DATA	13







1 Safety instructions

The safety instructions in this manual cannot cover all eventualities. It is self-evident that the good judgment and care of the person using and maintaining the machine are as important as the safety features installed in the machine itself.

To minimize the risk of accidents, make sure the following sections are read and understood.

1.1 General



- This symbol indicates a WARNING. Failure to follow the instructions can result in severe injury and / or damage.



- Before starting the machine, this operating manual, along with the safety instructions for the carrier vehicle, must be read thoroughly.

1.2 Proper use



- The leaf blower is intended for use with a Husqvarna P 520D or P 525D device.
- The machine is designed for clearing leaves. It can be used for standard applications and agricultural and forestry operations, e.g. lawn care and grounds maintenance.
- Any alternative or additional use is classed as improper. The manufacturer accepts no liability for any resulting damage. The operator is solely responsible for the risk involved.
- Proper use also includes adherence to the operating, service and maintenance conditions stipulated by the manufacturer.
- The attachment may only be used, maintained or repaired by personnel who are familiar with it and are aware of the hazards involved.
- The applicable accident prevention regulations, along with any other generally recognized health and safety rules, must be adhered to.
- Unauthorized modifications to the machine void all manufacturer liability for resulting damage.

1.3 General safety and accident prevention regulations

1.3.1 Basic rules



- Observe the safety instructions in the carrier vehicle operating manual.
- In addition to the information provided in this operating manual, observe the generally applicable safety and accident prevention regulations.
- Only trained personnel are permitted to operate this machine.
- Reaching into the fan housing may result in serious injuries. The operator must ensure that no persons or animals can gain access to parts within this housing.
- When using the attachment on public highways, the national road traffic regulations must be observed, e.g. rear reflectors, lights.
- The user should wear tightly fitting clothing. Avoid loose clothing and wear solid footwear or safety shoes.
- Only work when visibility and lighting conditions are good.
- In areas with restricted visibility, switch off the leaf blower and make sure that no-one is present in the danger area.
- The warning and information signs attached provide important instructions to ensure safe operation. It is important to follow these instructions for your own safety.
- For transportation on motor vehicles or trailers, and outside the area being worked on, the attachment must be turned off.
- Exercise caution around rotating and oscillating tools - maintain a safe distance.
- Exercise caution with trailing machine parts. Before working on these, wait until they have completely stopped.

- There are crushing and shearing points on driven parts.
- Attached or towed equipment and loads can affect handling, steering, braking and stability. Work at a speed appropriate to the relevant conditions.
- Unauthorized modifications jeopardize the operating safety of the machine and are prohibited.
- Before each use, check that the machine is safe to operate.
- Never remove or modify safety equipment.
- Never move under an unsecured unit for repairs or inspection.

1.3.2 Working and danger area



- The user is responsible for third parties in the working area.
- Standing in the danger area around the machine is prohibited. Ensure that all persons have left the danger area. **Danger area: 25 m radius**
- While working, the operator must ensure that no people or animals come within 25 m of the exhaust opening. The leaf blower must be switched off in a timely manner if people or animals enter this danger zone.
- Before turning on and starting the attachment, check the immediate vicinity. Pay particular attention to children and animals. Ensure adequate visibility.
- Before starting work, remove any foreign bodies from the area to be worked. During work, look out for any further foreign bodies and remove them in good time.
- When working in enclosed areas, the safety distance from the edge must be maintained to avoid damage to the machine and tools.
- When working in close proximity to public roads and paths, the airflow must be pointed in the opposite direction to these areas to minimize the risk of other people being injured due to objects in the airflow.
- Never work with the leaf blower against the wind. Otherwise, objects may be hurled out in an uncontrolled manner and could strike people, animals or the operator.
- When working on or immediately adjacent to public roads and spaces, erect information and warning signs to draw the attention of third parties to the work being carried out.
- Due to the risk of injury from catapulted objects, protective goggles are mandatory. Approved protective goggles in this case are those that comply with the ANSI Z87.1 standard for the USA and/or EN 166 for EU countries.
- Due to the increased noise level, ear protection must be worn during operation.




1.3.3 Before starting work





- Before starting work, familiarize yourself with all equipment and operating controls and their function, and make sure that all safety equipment is properly fitted and in the correct position. Once work has started it is too late.
- Before each use, check that the machine is safe to operate.
- Before each use, check that the drive shaft is securely mounted on the drive drum on the carrier vehicle and on the leaf blower.
- Check the hydraulic connections and hoses for leaks and replace them if necessary.
- Never operate the machine with defective or missing safety equipment.

1.3.4 During operation

- If unusual noises or vibrations occur while operating the leaf blower, stop the motor immediately and consult a specialist. Checks must be carried out on the fan propeller; otherwise, serious accidents may occur.
-  • If persons or vehicles approach the danger area (25-m radius), the attachment must be switched off immediately.
- Never leave the operator console while moving.
- Only leave the operator console when the tools on the attachment have come to a standstill.
- Do not make any adjustments to the attachment during operation as this results in a risk of accidents.
- Carrying persons or objects is prohibited.
- If the attachment has taken hold of a foreign body, for example, and is blocked, switch off the auxiliary power unit, stop the motor and remove the ignition key. The attachment can then be cleared of foreign bodies with a suitable tool. The work must be carried out with due care and attention, as the components may be interlocked with one another and could slip abruptly.
- In case of damage, switch off the attachment and have the damage repaired.

1.3.5 Maintenance, cleaning and repair work

- Only the work described in this operating manual may be carried out to care for and maintain the weed brush.
-  • Only perform maintenance, cleaning and repair work when the auxiliary drive is switched off and the motor is stopped.
- If protective equipment and working tools are subject to wear, check them regularly and replace if necessary.
- Only use genuine spare parts from the manufacturer, as these comply with the technical requirements and therefore minimize the risk of accidents. If genuine spare parts are not used, the guarantee or warranty claim will become void.
- Carry out cleaning work with a high-pressure cleaner, ensuring that the water jet is not aimed directly at bearings, rotating parts, lubricating nipples, shaft sealing rings, wheel hubs, etc. After every clean with the high-pressure cleaner, the lubricating points must be regreased. Failure to comply with this requirement voids all warranty entitlements.
- Check the moving parts for free movement and regrease as required.
- After maintenance and cleaning work, always re-install the safety equipment and set it to safety position.
- Keep the machine clean to reduce the risk of fire.
- Regularly check that nuts and bolts are tightly fitted and tighten if necessary.
- For maintenance, cleaning and repair work on a raised unit, always use appropriate supports to ensure safety.
-  • Before repair work, make sure that the hydraulic system is depressurized as pressurized fluid can penetrate the skin and cause serious injuries. If injuries of this kind occur, seek medical attention immediately as there is a risk of infection.
- Repairs may only be carried out by specialist personnel.
- Inspect hydraulic hoses for damage and aging at regular intervals and replace if necessary. Replace all hoses after a maximum of 6 years of operation. The date of manufacture is embossed on the hose.

1.4 Pictograms used

The following pictograms are located on the unit to inform the operator that care and attention is required when using and maintaining the unit.

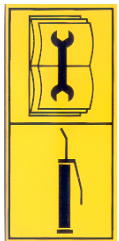
Explanation of pictograms used:



Read and observe the operating manual and the safety instructions before starting up.



Never open or remove safety equipment when the motor is running.



Observe instructions in the technical manual.
Lubricating point



Do not touch machine components until they have completely stopped.



Hazard due to ejected parts when the motor is running
- maintain safety distance.



Wear ear protection!



Wear protective goggles.

2 Description

2.1 General Description of the Leaf Blower

The leaf blower consists of a steel construction with a plastic turbine housing (1:A). In the turbine housing, the air sucked in at the front is accelerated and blown out again through the vertically positioned rotatable air scoop (1:B). The rotatable air scoop can be hydraulically rotated 360 degrees from the driver's seat, enabling the direction of the discharged airflow to be changed.

2.2 Mounting on carrier vehicle

The leaf blower is mounted on the lifting struts (3:G) on the carrier vehicle. It is securely connected to each lifting strut by means of two bolts, as shown in the figure (4:H).

3 Installation

3.1 Mechanical coupling

- For more information, please refer to the operating manual for the carrier vehicle.
- When coupling there is a risk of injury, e.g. due to crushing. Particular caution must be exercised.
- The procedure for coupling the attachment is as follows:
 1. Lower the lifting struts and move the carrier vehicle slowly towards the attachment in a straight line.
 2. Open the viewing panel on the base (2:F) and observe to make sure the lifting struts (3:G) engage in the holding pockets on the attachment. In addition, ensure that the drive shaft (4:J) is in the correct position.
 3. When the fastening holes are aligned, a large and a small locking bolt are inserted and secured by means of a cotter pin (4:H).
 4. Push the drive shaft onto the splined shaft on the carrier vehicle and secure the chain on the carrier machine (5:K) to prevent the drive shaft guard from turning with the shaft.
 5. Raise the attachment and move the support to the upper end position so that it does not collide with the rotatable air scoop.

3.2 Connecting hydraulic hoses



- Before connecting the hydraulic hoses, make sure that the carrier vehicle hydraulic system is not pressurized.
- Before connecting, make sure all connections are clean. Contaminants in the hydraulic oil cause severe damage to the hydraulic system.
- Stop the motor.
- Move the hydraulic controls back and forth to relieve any excess pressure.
- Remove the protective covers (7:M) from the couplings and connect the couplings to the carrier machine (7–9).

4 Detaching

- For more information, please refer to the operating manual for the carrier vehicle.
- When uncoupling there is a risk of injury, e.g. due to crushing. Particular caution must be exercised.
- The procedure for uncoupling the attachment is as follows:
 1. Raise the attachment and move the supports to the lower end position.
 2. Detach the chain from the shaft guard on the carrier machine and disconnect the shaft.
 3. Lower the attachment and stop the motor.
 4. Release any excess pressure in the hydraulic system by moving all hydraulic controls back and forth.
 5. Disconnect the hydraulic hoses and fit the protective covers on the couplings.
 6. Remove the locking bolts and slowly reverse away.



5 Operation

5.1 General

- Never start the leaf blower suddenly. When starting the leaf blower, keep the motor speed low and then steadily increase the speed.
- The rotatable air scoop can be hydraulically rotated 360 degrees (figure 10). The air scoop is controlled by the valve lever (11:P) on the carrier vehicle. To ensure that the hydraulic auxiliary drive is actuated and not the lifting struts, the top button (11:O) on the valve lever must be pressed and held down while operating the valve lever.

5.2 Adjusting the Working Height

- The distance between the discharge air scoop and the ground can be adjusted from 5 cm to 13 cm. The distance is adjusted by adding and removing spacer bushings (12:T) at the wheel forks (12:U) in increments of 10 mm or 20 mm. To adjust the working height, proceed as follows:
 1. Raise the attachment.
 2. Remove the retractable pin (12:S).
 3. Pull wheel fork (12:U) down and out.
 4. Add spacer bushings to or remove spacer bushings from the wheel fork shaft.
 5. Refit the wheel fork and secure in place with the retractable pin.



- An insufficient distance between the air scoop and ground increases the risk of collision. The working height must be adjusted to local conditions.

5.3 Travel Speed

- The travel speed depends on the amount and nature of the leaves. If possible, drive at the maximum motor speed. The higher the motor speed, the greater the airflow rate and the associated area covered.

6 Maintenance

6.1 General

- The attachment must be maintained regularly.
- Failure to comply with this requirement can result in injuries or damage to the machine. Before each use, check all parts relevant to safety.
- The safety instructions set out in 1.3.5 must be followed.
- Repair, maintenance and cleaning work, as well as remedying malfunctions, must only ever be carried out with the drive turned off and the motor stopped. Remove the ignition key or the spark plug connector. After carrying out the work, re-install all safety equipment.
- Check all screw and bolt connections after the first 5 hours of operation.

6.2 Daily maintenance

- Check safety equipment and moving parts for wear and replace if necessary.
- Check that the moving parts move freely and lubricate them at the lubrication points, as shown in figure 12. Remove any excess grease.
- Carry out a test run before each use.
- Check the hydraulic connection and lines for leaks.
- Lubricate the drive shaft as specified by the manufacturer.

6.3 Maintenance after 50 operating hours or long stoppages

- Check the V-belt and make sure that the tension spring still adequately tensions the V-belt.
- The moving parts must be greased or oiled at regular intervals, and at the beginning and end of every season.
- Check hydraulic fittings and hoses for leaks and damage, and replace if necessary. Refer to the legal requirements for the maximum usage period.

7 Technical data

Technical data	
Drive	Mechanical
Sound level $L_{pA,eq}$	90.1 dB(A) at operator ear Measurement based on DIN EN 12733:2009
Max. power take-off speed	2,500 rpm
Flow rate	4300 m ³ /h
Discharge air range	Approx. 12 m
Weight	Approx. 85 kg
Length / Width / Height	Approx. 100/110/100 cm

- Subject to technical modifications. -

EG - Konformitätserklärung
CE Déclaration de conformité
EC Declaration Conformity
EG conformiteitsverklaring



D

Wir

F

Nous

GB

We

NL

Wij

Kersten Arealmaschinen GmbH
Empeler Straße 95
D- 46459 Rees

erklären, dass das
Produkt

déclarons que le
produit

herewith declare
that the product

verklaren dat het
produkt

**Anbau –
Laubblasgerät**

Souffleurs de feuillage

**Cultivation –
Blowers**

Teelt - Blowers

LBV 4300-ABR

mit allen einschlägigen
Bestimmungen der
EG-Maschinenricht-
linie 2006/42/EG in
Übereinstimmung ist.

satisfait à l'ensemble
de la directive machines
2006/42/CE.

fulfills all relevant
provisions of Directive
2006/42/EC.

voldoet aan alle
toepasselijke be-
palings van EG-
Machinerichtlijn
2006/42/EG.

Die Maschine ist auch
in Übereinstimmung
mit allen einschlägigen
Bestimmungen der fol-
genden EG-Richtlinien:

Cette machine satisfait
également à toutes les
dispositions pertinentes
des directives CE
suivantes:

The machinery is also
in compliance with all
relevant provisions of
the following EC
directives:

De machine is ook
in overeenstemming
met alle toepasselijke
bepalingen van de vol-
gende EG- richtlijnen:

Weiterhin wurden fol-
gende Normen ange-
wendet:

En outre, les normes et
spécifications techniques
suivantes ont été utilisées:

The following
harmonised standards
apply:

Volgende geharmoni-
seerde normen warden
gehanteerd:

EN ISO 12100 : 2010

Herr

Monsieur

Mr.

De heer

Dipl.- Ing. (FH) Robert Bosch
Empeler Straße 95
D- 46459 Rees

ist bevollmächtigt
die technischen Unter-
lagen zusammenzu-
stellen.

est autorisé à constituer
la documentation
Technique conformément
à l'annexe VII A.

is authorised to
compile the technical
file according to Annex
VII A.

is gemachtigd het
technische dossier
samen te stellen.

Rees, 16.02.2015

Geschäftsführer

Directeur

Managing Director

Bedrijfsleider

www.husqvarna.com

Original instructions

Order number: B00063 From machine no.: 55010 Revision: R00 As of: 01.2015

2015-02-19