

Operator's manual Rider Battery

Please read the operator's manual carefully and make sure you understand the instructions before using the machine.



English

KEY TO SYMBOLS

Symbols

These symbols are on the machine and in the instructions.

WARNING! Careless or incorrect use can result in serious or fatal injury to the operator or others.



Please read the operator's manual carefully and make sure you understand the instructions before using the machine.



Use hearing protection



This product is in accordance with applicable EC directives.



Reverse



Neutral



Fast



Slow



Cutting height



Backwards



Forwards



Warning: rotating parts. Keep hands and feet clear.



Clutch in



Clutch out



Parking brake



Noise emission to the environment according to the European Community's Directive. The machine's emission is specified in the Technical data chapter and on the label.



Rotary blades Keep hands and feet away from under the hood when the engine is running



Never drive across a slope



Never use the machine if persons, especially children, or animals, are in the vicinity



Never carry passengers on the machine or equipment



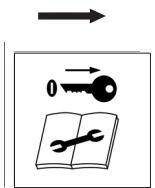
Drive very slowly if no cutting unit is fitted



Before and during reversing procedures, look behind you.



Remove the ignition key before carrying out repair work or maintenance.



Explanation of warning levels

The warnings are graded in three levels.

WARNING!



WARNING! Used if there is a risk of serious injury or death for the operator or damage to the surroundings if the instructions in the manual are not followed.

IMPORTANT!



IMPORTANT! Used if there is a risk of injury to the operator or damage to the surroundings if the instructions in the manual are not followed.

CAUTION!



CAUTION! Used if there is a risk of damage to materials or the machine if the instructions in the manual are not followed.

CONTENTS

Contents

KEY TO SYMBOLS

Symbols	2
Explanation of warning levels	2

CONTENTS

Contents	3
----------------	---

INTRODUCTION

Dear Customer,	4
Driving and transport on public roads	4
Use	4
Insure your Rider	4
Good service	4

Service journal

Pre-delivery service	5
----------------------------	---

WHAT IS WHAT?

Location of the controls	6
--------------------------------	---

MACHINE'S SAFETY EQUIPMENT

General	7
---------------	---

ASSEMBLING AND ADJUSTMENTS

Safety when assembling and settings	8
Cutting unit	8
Fitting the cutting head	8
Removing the cutting unit	9
Seat	9

BATTERY HANDLING

General	10
Battery charger	10
Transport and storage	12

OPERATING

General safety precautions	13
Battery saving function (SavE)	14
Driving the Rider	14
Transport and storage	16

STARTING AND STOPPING

Before starting	17
Turn on the machine.	17
Deactivate the machine.	18

MAINTENANCE AND SERVICE

Maintenance schedule	19
General	20
Cleaning	20
Warning light	20
Removing of the machine hoods	21
Checking and adjusting the steering wires	22
Check the level of the battery acid	22
Checking the tyre pressure	22
Fuses	23
Checking the cutting unit's parallelism	23
Checking the blades	23
Replacing the blades	24
Removing the BioClip plug	24
General lubrication	24
Lubrication of drive chain	24

TROUBLESHOOTING

Troubleshooting schedule	25
--------------------------------	----

TECHNICAL DATA

EC Declaration of Conformity	28
------------------------------------	----

INTRODUCTION

Dear Customer,

Thank you for choosing a Husqvarna Rider. Husqvarna Riders are built to a unique design with a front-mounted cutting unit and a patented articulated steering. Riders are designed for maximum efficiency even in small or confined areas. Collected controls and a transmission controlled by pedals also contribute to the machine's performance.

This operator's manual is a valuable document. By following its instructions (on operation, service, maintenance, etc.) you will significantly extend the life of the machine and even its second-hand value.

When you sell your Rider, make sure you pass on the operator's manual to the new owner. Make sure that all service work and repairs are recorded. A well-documented service history reduces the costs of seasonal maintenance and influences the second-hand value of the machine. Bring the operator's manual with the Rider when bringing it to a workshop for service procedures.

Driving and transport on public roads

Check the relevant road traffic regulations before driving the machine on a public road. If transporting the machine on another vehicle always use approved securing devices and make sure that the machine is securely held.

Use

This ride-on mower is designed to mow grass on open and level ground surfaces. In addition, there is a number of accessories recommended by the manufacturer that broadens the application area. Please contact your dealer for more information about which accessories are available. The machine may only be used with the equipment recommended by the manufacturer. All other types of use are incorrect. Compliance with and strict adherence to the conditions of operation, service and repair as specified by the manufacturer also constitute essential elements of the intended use.

This machine should be operated, serviced and repaired only by persons who are familiar with its particular characteristics and who are acquainted with the relevant safety procedures.

Accident prevention regulations, all other generally recognised regulations on safety and occupational medicine, and all road traffic regulations must be observed at all times.

Any arbitrary modifications carried out to this machine may relieve the manufacturer of liability for any resulting damage or injury.

Insure your Rider

Check the insurance coverage for your new Rider.

- Contact your insurance company.
- You should have fully comprehensive insurance including: third party, fire, damage, theft and liability

Good service

Husqvarna products are sold all over the world and ensures that you, the customer, get the best support and service. For example, before this machine was delivered it was inspected and adjusted by your dealer. See the certificate in the Service Journal in this manual.

When you need spare parts or advice on service issues, warranty terms, etc., contact:

This Operator's Manual belongs to machine with serial number:	Engine	Transmission

On the machine's rating plate you will find the following information:

- The machine's type designation.
- The manufacturer's type number.
- The machine's serial number.

State the type designation and serial number when ordering spare parts.

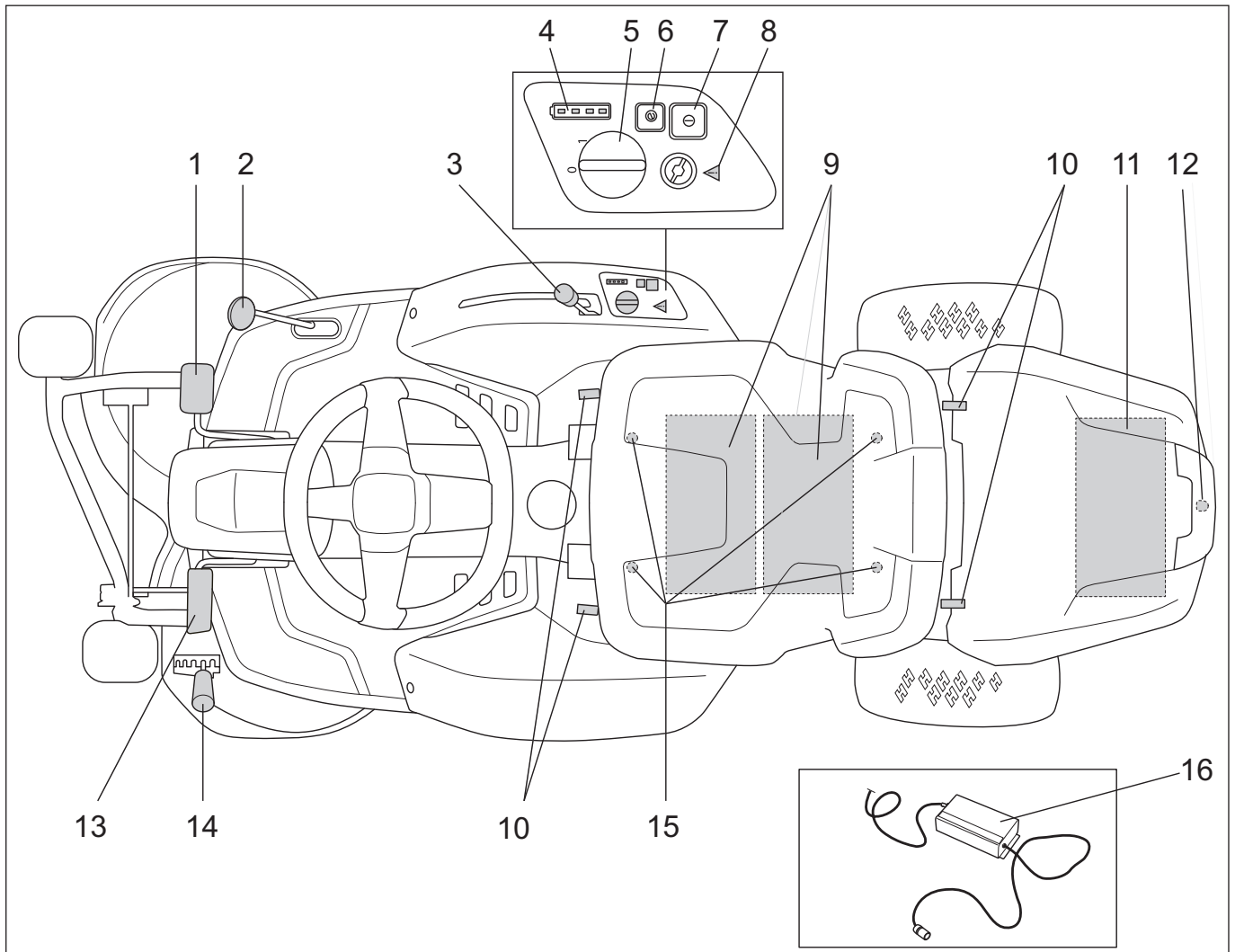
Service journal

Pre-delivery service

- 1 Fit steering wheel, seat and any optional equipment.
 - 2 Check and adjust tyre pressure. (60 kPa, 0.6 bar, 9 psi).
 - 3 Adjust cutting unit:
Adjust cutting unit so that rear edge is about 5-7 mm / (1/5-1/4") higher than front edge.
 - 4 Check the acid level in the batteries and top up with distilled water if necessary.
 - 5 Connect battery.
 - 6 Charge the battery using the battery charger supplied. See the "Charging the batteries" section.
 - 7 Start the machine and check that it does not move in neutral.
 - 8 Check:
Forward drive.
Reverse drive.
Operation of blades.
Seat safety switch.
Lif lever safety switch.
Safety switch for parking brake.
The safety switch for the cutting deck
 - 9 Tell customer about:
Needs and benefits of following the service schedule.
Servicing and the influence of this journal on the second-hand value of the machine.
Range of applications for BioClip function.
Complete proof of sale etc.
- Pre-delivery service carried out. No outstanding problems. Certified:

Date:
Mileage:
Signature:
Label:

WHAT IS WHAT?



Location of the controls

- | | |
|--------------------------------------|--|
| 1 Speed limiter for driving forward | 9 Front batteries |
| 2 Speed limiter for reversing | 10 Cover lock |
| 3 Lifting lever for the cutting unit | 11 Rear battery |
| 4 Battery status | 12 Socket for connecting the battery charger |
| 5 Power switch | 13 Parking brake |
| 6 Battery saving function (SavE) | 14 Cutting height adjustment lever |
| 7 Start button | 15 Seat adjustment |
| 8 Warning light | 16 Battery charger |

MACHINE'S SAFETY EQUIPMENT

General



WARNING! Never use a machine that has faulty safety equipment!

If your machine fails any checks contact your service agent to get it repaired.

Safety circuit

The machine has a safety circuit that triggers and deactivates the machine whenever the driver gets off the seat. The safety circuit is tripped regardless of whether the parking brake has been applied or not.

The machine deactivates when the safety circuit is tripped. There is a short delay to prevent stopping if the driver bounces on the seat.

The machine can only be started when:

- The parking brake is depressed and the operator sits on the seat.

The engine must stop when:

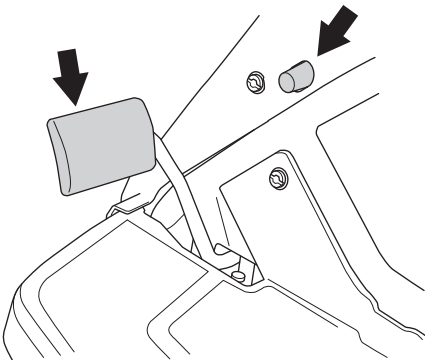
- If you temporarily move out of the drivers seat.

Safety circuit check

Check daily to ensure that the safety system works by attempting to start the engine when one of the conditions above is not met. Change the conditions and try again.

Brake pedal / Parking brake

The brake pedal engages a disc brake that is located on the drive engine and stops the drive wheels.



The parking brake lock disengages automatically when the brake pedal is pressed.

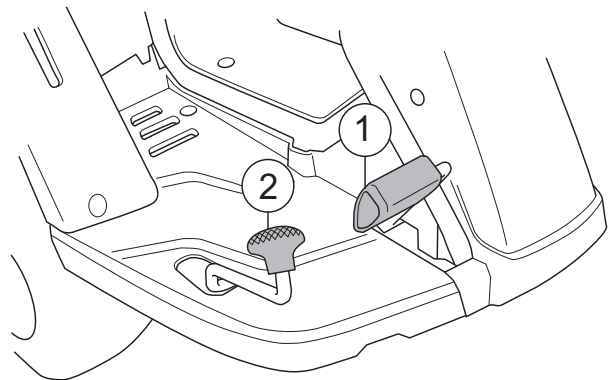
Checking the parking brake

Make sure the parking brake is properly adjusted by placing the machine on a slope.

- Apply the parking brake.
- If the machine does not stand still, the brake must be adjusted by an authorised servicing dealer.

Speed limiter

The speed of the machine is steplessly regulated with two pedals. Pedal (1) is used to drive forwards, and pedal (2) to drive backwards.



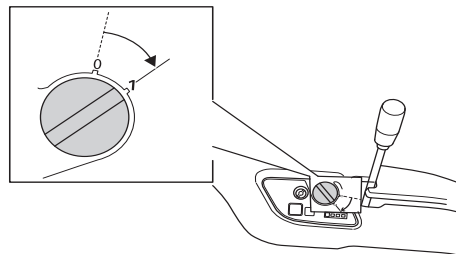
Pressing down both pedals stops the machine. Release both pedals and then press down the required pedal.

Accelerator check

- Ensure the forward and reverse pedals can be operated freely.
- Ensure the machine brakes when the forward pedal is released.

Power switch

The switch is used to switch the electricity supply to the machine on and off.



1 - Start position

0 - Stop position

Checking the power switch

- Disconnect the charging cable. Turn the switch to position "1", make sure the control panel lights up.
- Apply the parking brake. Turn the switch to position "0" to cut the power, check the machine stops and that the lights on the control panel turns off.

ASSEMBLING AND ADJUSTMENTS

Safety when assembling and settings



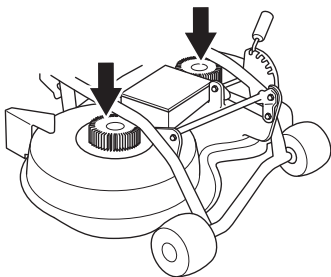
WARNING! Never make adjustments with the machine running. Turn the ignition key to the "0" position and remove the ignition cable from the battery terminal.

- The machine may only be started in its complete design. If the machine is started without all the guards fitted there is a risk of personal injuries.
- Never allow children or other persons not trained in the use of the machine to use or service it. Local laws may regulate the age of the user.
- Electrical shocks can cause injuries. Do not touch cables or contacts when the machine is running.
- The machine is tested and approved only with the equipment originally provided or recommended by the manufacturer. Always use genuine parts.

Cutting unit

The machine is equipped with a 2-blade Combi cutting deck. The Combi-unit, equipped with a BioClip-plug, finely chops the cuttings to fertiliser. Without the BioClip-plug the unit works in the same way as a rear ejection unit.

The blades are run by two electric motors which are attached to the cutting deck.

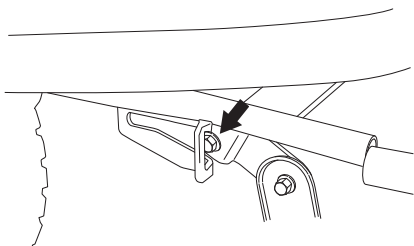


Fitting the cutting head

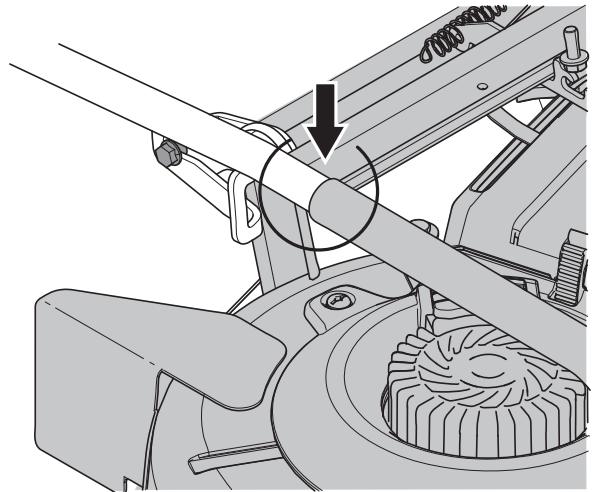


WARNING! Observe caution to avoid trapping your hand.

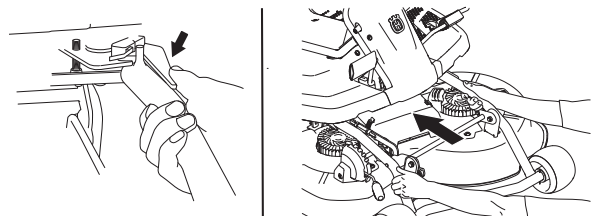
- 1 Push the cutting deck in and make sure the guide bolts fit into the grooves on the deck frame, one on each side.



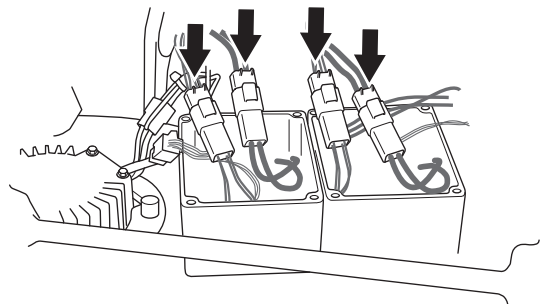
- 2 Fit the cutting deck's pipe together with the deck frame's pipe.



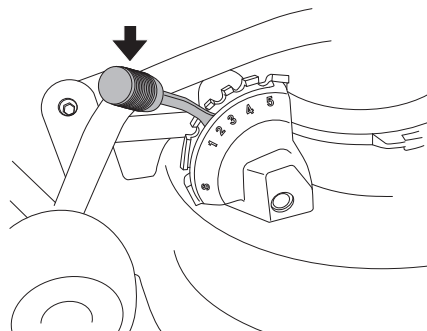
- 3 Press in the lock, grasp the pipes and slide in the cutting deck.



- 4 Push the deck until you feel the pipes touch bottom.
- 5 Connect the cables and fit the cover.



- 6 Set the cutting deck height control in any of the positions 1-5.

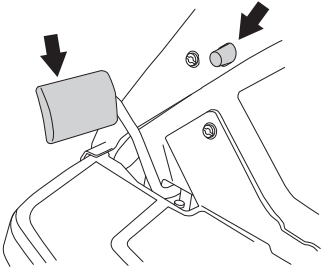


ASSEMBLING AND ADJUSTMENTS

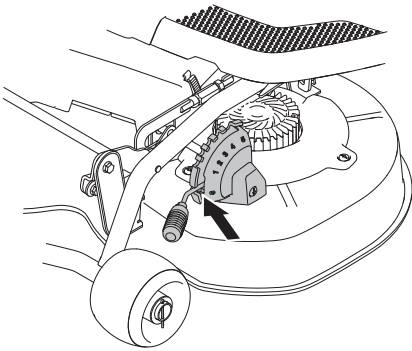
Removing the cutting unit

To remove the cutting deck proceed as follows:

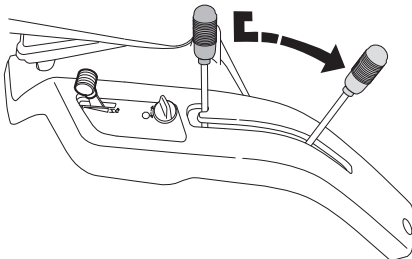
- 1 Position the machine on flat ground.
- 2 Turn off the machine and remove the ignition key.
- 3 Apply and lock the parking brake.



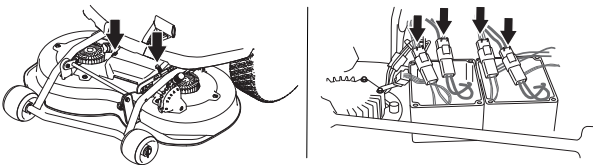
- 4 Check that the lever for setting the cutting height is in the S position.



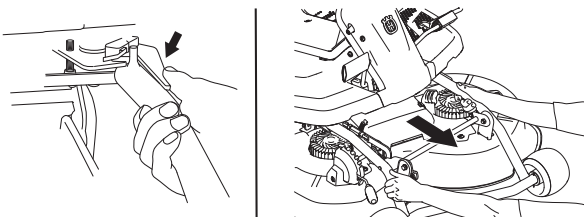
- 5 Lower the cutting unit.



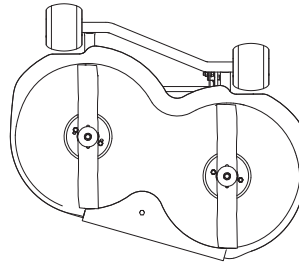
- 6 Loosen the snap lock for the covers on the cutting deck and loosen the cables. There are 2 for each motor.



- 7 Grasp the upper pipe framework in the cutting deck and the cutting deck lock at the same time, and pull out the cutting deck.



- 8 Lift off the deck and lean it against the machine or a wall.

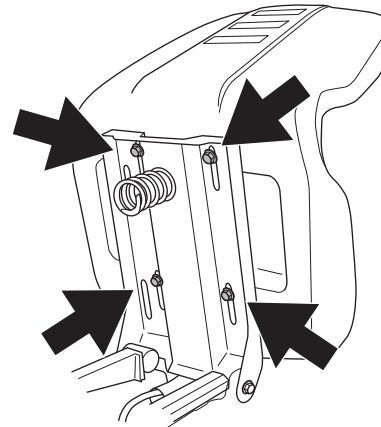


Seat

The seat has a jointed attachment on the front edge and can be tipped forward.

The seat can also be adjusted lengthways.

- Loosen the bolts under the seat and adjust it forwards or backwards to the desired position.



- Tighten the bolts after adjusting.

BATTERY HANDLING

General



WARNING! Wear gloves and protective goggles when working with the battery. Be especially careful when handling battery acid. Acid on the skin can cause serious corrosive injuries. In the event of spillage on the skin wash immediately with water.

Batteries emit explosive gas. Sparks, flames and cigarettes must absolutely not be brought into the vicinity of the battery.

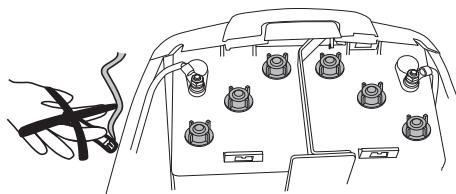


WARNING! The battery contains lead and lead pollutants, chemicals that are considered to cause cancer, birth defects or other reproductive impairment. Wash your hands after touching the battery.

CAUTION! Never connect the battery terminals to keys, coins, screws or other metal as this may short-circuit the battery.



- Acid in the eyes can cause blindness. Rinse immediately with plenty of water for at least 20 minutes and contact a doctor immediately.
- Battery acid fumes which are inhaled cause damage to mucous membranes and other organs. Contact a doctor if acid fumes are inhaled.
- A damaged battery must always be replaced. Battery replacement must only be performed by an authorized servicing dealer.
- Faulty or old batteries must not be disposed of with the rubbish. Contact the local authorities for correct waste management.
- Take care with battery maintenance. Explosive gases form in the battery. Never perform maintenance on the battery while smoking or in the vicinity of open flames or sparks.



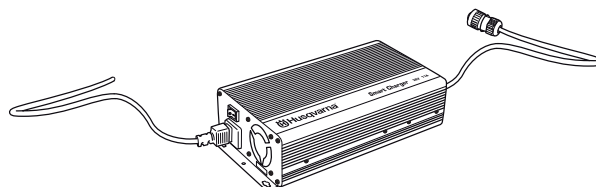
Battery charger

The Rider Battery is a battery-powered ride-on mower. The machine has three batteries connected in series.



WARNING! Improperly used, broken or a faulty battery charger can cause an electric shock, overheating or battery acid leakage.

The batteries must be recharged using only the battery charger supplied.



Charge the batteries when the Rider is not in use. In this way the batteries are always fully charged when the machine is to be used.

If the battery is flat, it takes around 16 hours to fully charge it. When the battery is fully charged, the charger goes into maintenance charging mode.

Bear in mind that:

- The charger must be connected to a grounded outlet socket.
- Charge the battery for max. 48 hours.
- Charging should be carried out in the ideal surrounding temperature from 0 to 40°C
- Do not charge the battery in direct sunlight.
- The machine cannot be used when it is connected to the charger.
- Keep the charger out of reach of children.
- The machine must be charged in a dry and well-ventilated area, protected from water, damp, oil and grease.
- Never charge the machine in the vicinity of flammable substances or gases.
- Do not cover the charger air intake.
- Extend the battery life by maintenance charge the battery once every three months .

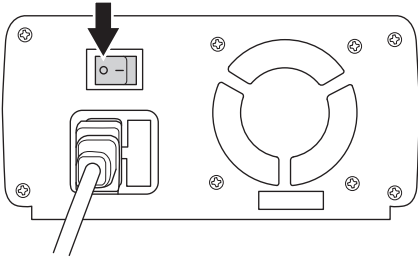
CAUTION! The battery charger must not be connected to the battery for longer than 48 hours at a time, as this can reduce the service life of the battery.

BATTERY HANDLING

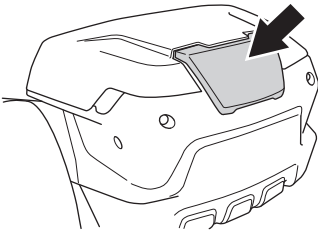
Charging the battery

When charging, the charger must be placed in a well ventilated area and under a roof to keep out moisture.

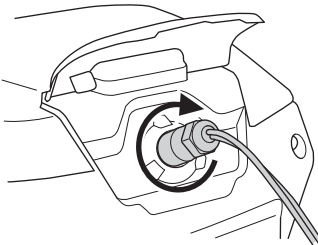
- 1 Make sure that the power switch is in the 0 position.



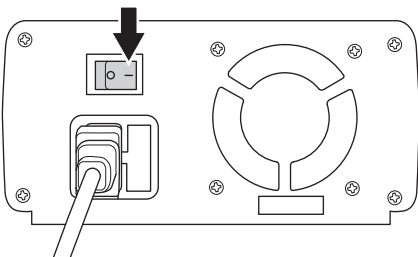
- 2 Connect the battery charger to the voltage and frequency specified on the charger's type plate. The charger must be connected to a grounded outlet socket.
- 3 The charger is plugged into the charging socket at the rear of the machine under the charging cover. Open the charging cover.



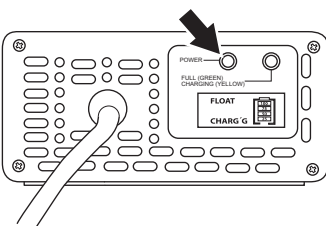
- 4 Connect the charger to the battery socket. The plug and socket fit only one way. Press in the plug and lock it in place.



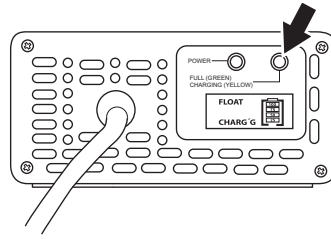
- 5 Activate the charger by pressing the power switch.



- 6 When the battery charger is connected to the grid, a red lamp lights up on the battery charger.

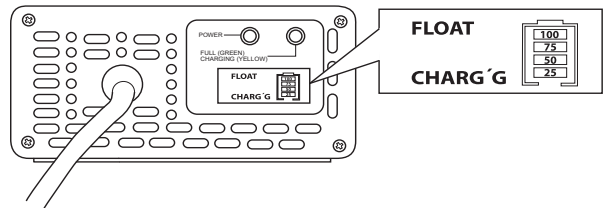


- A yellow lamp will come on when the battery is charging.
- When the battery is fully charged the light turns green.

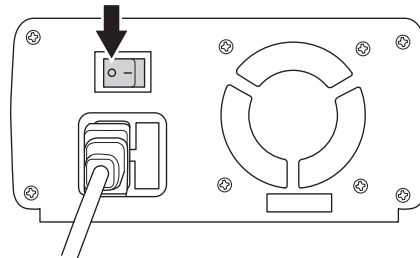


CAUTION! If the yellow lamp does not turn green after max 48 hours, please contact your authorized servicing dealer.

- 7 The display on the battery charger indicates how much the battery is charged.



- 8 Return the charger switch to '0' position once the battery is fully charged. Pull out the plug. Never jerk the power supply cable to disconnect it from the wall socket.

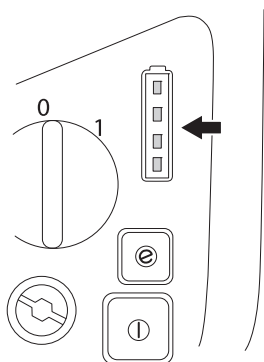


- 9 The acid level in the battery must be checked after charging and topped up with distilled water if necessary. See the "Checking the battery acid level" section.

BATTERY HANDLING

Battery indication

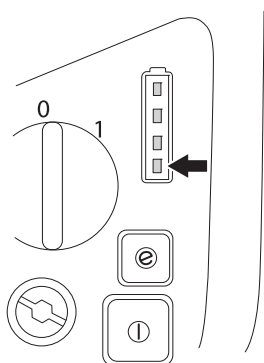
The instrument panel has a battery indicator which indicates battery status. The lamp is lit when the machine is activated. The lamp is extinguished when charging is in progress.



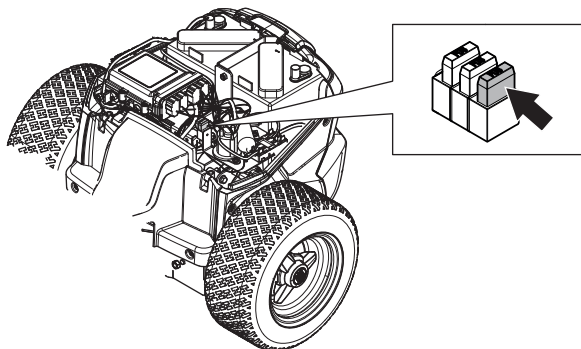
When all LEDs are lit the battery is fully charged.

LED lights	Battery status
All LEDs are lit	Battery is 75%-100% charged
3 LEDs are lit	The battery is 50%-75% charged.
2 LEDs are lit	The battery is 25%-50% charged.
1 LED is lit	The battery is 0%-25% charged.

When the battery is low a red lamp lights up, and the blades stop rotating to save power. When the red lamp is lit on the battery indicator, the machine has to be driven to the charging station.



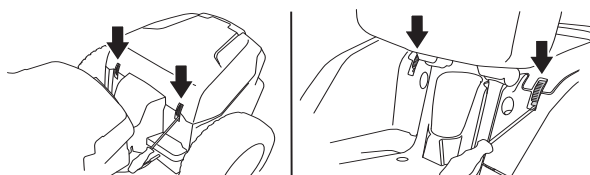
If the machine stops and has to be pushed to the charging station, the freewheel fuse in the rear carriage must be removed. Do not forget to put the fuse back in place before charging the battery.



Disconnect the batteries

The machine has three batteries connected in series. One battery is located in the rear carriage and two batteries are located under the seat.

- Loosen the snap lock and lift off the battery covers.

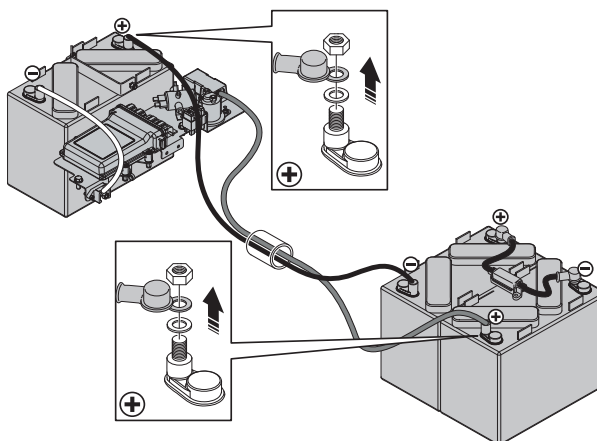


- For more information, see 'Removing the ride-on mower covers'.



WARNING! Never connect the negative terminal of the fully-charged battery to, or in the vicinity of, the negative terminal of the discharged battery. Hydrogen gas may be present with risk of explosion.

Disconnect the cables from the positive terminals as illustrated in order to ensure the machine is not live.



Connect battery.

- Assemble the parts in the reverse order.
- Always connect positive terminal first.

Transport and storage

- The accompanying battery is covered by demands in legislation concerning hazardous goods.
- For commercial transports e.g. by third parties, forwarding agents, special requirement on packing and labeling must be observed.
- For preparation of the item being shipped, consulting an expert for hazardous material is required. Please also observe possibly more detailed national regulations.
- Do not store the battery in places where static electricity can occur.
- Before longer storage please charge the battery. Extend the battery life by maintenance charge the battery once every three months .
- Tape or mask off open contacts and pack up the battery in such a manner that it cannot move around in the packing.
- Store the equipment in a lockable area so that it is out of reach of children and unauthorized persons.
- Store the battery and the battery charger where the temperature is between 5 °C and 45 °C and never in direct sunlight.
- Store the charger in a dry area, protected from water, damp, oil and grease.
- The charger must never be stored in the vicinity of flammable substances or gases.

OPERATING

General safety precautions

These instructions are for your safety. Read all the instructions in this operator's manual and on the machine before you start it. Ensure you understand them and then observe them.



WARNING! Always turn off the machine and remove the ignition key when:

the mowing area is cleared of foreign objects.

inspection, service, maintenance or repair work is carried out on the machine.

the machine begins to vibrate strongly.

you are driving over foreign objects.



WARNING! This machine produces an electromagnetic field during operation. This field may under some circumstances interfere with active or passive medical implants. To reduce the risk of serious or fatal injury, we recommend persons with medical implants to consult their physician and the medical implant manufacturer before operating this machine.

- Learn how to use the machine and its controls safely and learn to how to stop quickly. Also learn to recognize the safety decals.
- Only allow the machine to be used by adults who are familiar with its use.
- Remember that the driver is responsible for dangers or accidents.



WARNING! This machine can sever hands and feet as well as throw objects. Failure to observe the safety instructions can result in serious injuries.

- Never use the machine in bad weather, for instance in fog, in rain, damp or in wet locations, strong winds, intense cold, risk of lightning, etc.
- Never allow children or other persons not trained in the use of the machine to use or service it. Local laws may regulate the age of the user.



Personal protective equipment



WARNING! You must use approved personal protective equipment whenever you use the machine. Personal protective equipment cannot eliminate the risk of injury but it will reduce the degree of injury if an accident does happen. Ask your dealer for help in choosing the right equipment.

- Use hearing protection to minimise the risk of hearing impairment.



- Never wear loose-fitting clothing, jewellery or similar that can get caught in moving parts.
- Never use the machine when barefoot. Always wear protective shoes or protective boots, preferably with steel toes.



Other protective equipment

- Make sure that you have first aid equipment close at hand when using the machine.



- Fire fighting equipment

OPERATING

Work safety

- Make sure nobody else is in the vicinity of the machine when you start it, engage the drive, or run the machine.
- Clear the area of objects such as stones, toys, wires, etc. that may become caught in the blades and be thrown out.



- Never carry passengers. The machine is only intended to be used by one person.

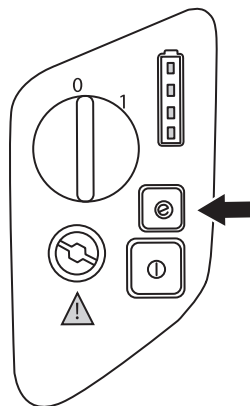


- Always look downwards and backwards before and while reversing. Keep watch for both large and small obstacles.
- Slow before cornering.
- Turn off the cutting unit when not mowing.
- Take care when rounding a fixed object, so that the blades do not hit it. Never run the machine over foreign objects.
- Serious accidents may occur if you fail to be on your guard for children in the vicinity of the machine. Children are often attracted to the machine and mowing. Never assume that children will remain where you last saw them.
- Before and during reversing procedures, look behind you and down for small children.
- Only use the machine in daylight or in other well-lit conditions. Keep the machine at a safe distance from holes or other irregularities in the ground. Pay attention to other possible risks.
- Never use the machine if you are tired, if you have consumed alcohol, if you are taking other drugs or medication that can affect your vision, judgement or coordination.
- Keep an eye on the traffic when working close to a road or when crossing it.
- Driving on slopes is one of the operations where the risk of the driver losing control of the machine or of it overturning is the greatest; this can result in serious injury or death. All slopes demand extra care. If you cannot reverse up a slope or if you feel unsure, do not mow it.

Battery saving function (SavE)

The machine is equipped with a battery saving function (SavE). When thick grass, the speed will be reduced.

Activate the saving function by pressing the saveE button. The savE button is lit solid green when the function is activated. The savE button will flash while the machine is adjusting the mowing speed.



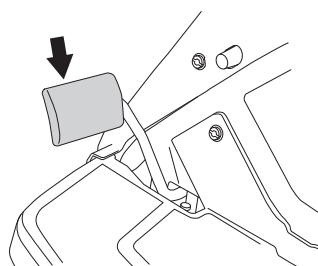
Driving the Rider



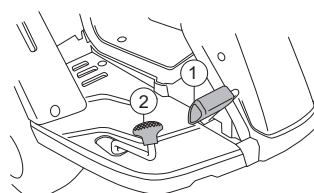
WARNING! Make sure that branches do not obstruct the pedals when mowing under bushes.

Localise and mark stones and other fixed objects to avoid collision.

- 1 Start the machine. See the instructions in the section "Start and Stop".
- 2 Release the parking brake by first pressing down the parking brake pedal and then releasing it.



- 3 Carefully press down one of the pedals until the required speed is obtained. Pedal (1) is used to drive forwards, and pedal (2) to drive backwards.



Braking

- Release the drive pedals. The machine slows and is stopped by the drive system. Do not use the parking brake as the drive brake.

OPERATING

Driving on slopes



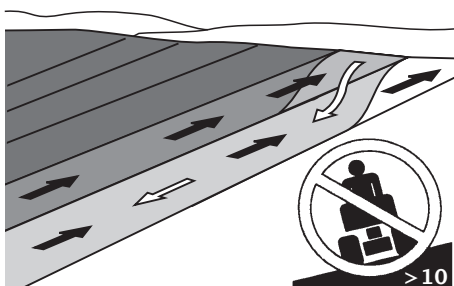
WARNING! Driving on slopes is one of the operations where the risk of the driver losing control of the machine or of it overturning is the greatest; this can result in serious injury or death. All slopes demand extra care.

If you cannot reverse up a slope or if you feel unsure, do not mow it.

IMPORTANT! Do not drive down slopes with the cutting unit raised.

This is what you do

- Remove obstacles such as stones, branches, etc.
- Mow upwards and downwards, not sideways.



- Do not use the machine on ground that slopes more than 10°.
- Take extra care if any attachments are fitted that can change the stability of the machine.
- Avoid starting or stopping on a slope. If the tyres start to slip, stop the blades and drive slowly down the slope.
- Always drive smoothly and slowly on slopes.
- Avoid unnecessary turns on slopes, if necessary, turn slowly and gradually downwards if possible. Drive slowly. Do not turn the wheel sharply.
- Watch out for and avoid driving over furrows, holes and bumps. It is easier for the machine to overturn on uneven ground. Tall grass can hide obstacles.



- Do not mow too close to edges, ditches or banks. The machine can suddenly overturn if one wheel comes over the edge of a steep slope or a ditch, or if an edge gives way.
- Do not try to stabilize the machine by putting your foot on the ground.
- When mowing, keep away from bushes and other materials in order to avoid a heating effect.

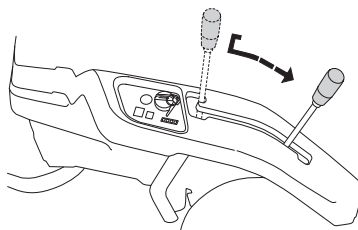
Lifting lever for the cutting unit

The lift lever is used to set the cutting unit in transport or mowing position.

The lever can also be used to temporarily regulate the cutting height, e.g. for a small mound in the lawn.

Mowing Position

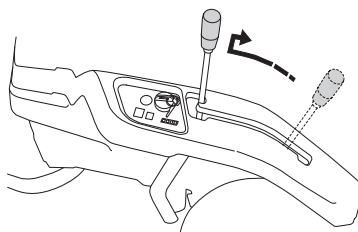
- Lower the cutting unit by pushing forward its lever.



If the lever is moved forwards, the cutting deck will be lowered and the blades will automatically start to rotate (mowing position).

Transport position

- Raise the cutting unit by pulling back its lever. The unit can then be secured in the raised position if necessary by moving the mechanical lifting lever sideways to the lock position.

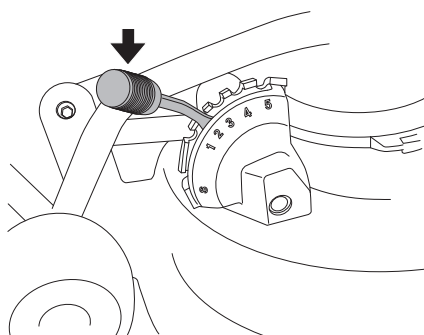


If the lever is pulled backwards the unit is raised and the blades automatically stop rotating (transport position).

Adjusting the cutting height

The cutting height is regulated with the lever located on the cutting unit.

The cutting height can be adjusted to 5 (1-5) different positions with the cutting height lever.



CAUTION! Lift up the cutting unit before adjusting the height.

Transport and storage

Transport

IMPORTANT! The parking brake is not sufficient to lock the machine during transport. Ensure you secure the machine firmly to the transporting vehicle.

The machine is heavy and can cause serious crush injuries. Take extra care when loading it onto or off a vehicle or trailer.

- Use an approved trailer to transport the machine.
- Check and observe local road traffic regulations before transporting or driving the machine on roads.
- To secure the machine on the trailer, two approved tension belts and four wedge shaped wheel blocks should be used.
- Engage the parking brake and tie the tension belts around stable parts on the machine, e.g. frame or rear wagon. Secure the machine by tensioning the belts towards the back and the front of the trailer respectively.
- Place the wheel blocks in front of and behind the rear wheels.

Winter storage

At the end of the season, or if the machine is going to stand idle for more than 30 days, it should immediately be made ready for storage.

To prepare the machine for storage follow these instructions:

- 1 Carefully clean the machine, especially under the cutting unit. Touch-up paint damage to avoid rust.
- 2 Inspect the machine for worn or damaged parts and tighten loose screws and nuts.
- 3 Lubricate all joints and shafts.
- 4 Clean and maintenance charge the battery.
- 5 Store the ride-on mower in a frost-free, clean, dry place and cover it for extra protection.

Extend the battery life by maintenance charge the battery once every three months .

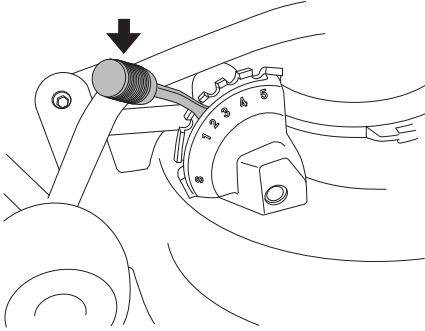
Guard

There is a cover to protect your machine during storage or transport. Contact your dealer for a demonstration

STARTING AND STOPPING

Before starting

- Read the safety instructions and information concerning the placement of controls and functions before starting.
- Perform daily maintenance before starting as set out in the Maintenance schedule.
- Select the required cutting height (1-5) using the cutting height lever. See directions in 'Setting the cutting height'.



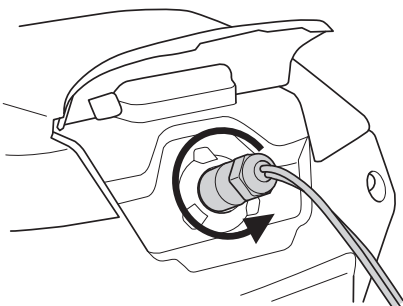
- Adjust the seat to the required position. See the instructions under the "Assembly and Settings" heading.
- In order to obtain an even cutting height, it is important that the air pressure is the same in both front wheels. See the "Technical data" section.
- Start with a high cutting height and reduce down until the required mowing results are obtained. If the grass is not too high and thick, the driving speed can be increased without noticeably depreciating the mowing result.
- Localise and mark stones and other fixed objects to avoid collision.
- Avoid mowing a wet lawn.
- The best lawns are achieved if the grass is cut often. Mowing becomes more uniform and the grass cuttings become more evenly distributed over the surface.
- When the BioClip function is used, it is very important that the mowing interval is not too long.



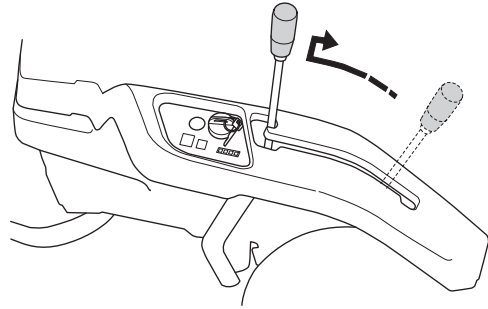
WARNING! Do not use the machine on ground that slopes more than 10°. Mow slopes upwards and downwards, never across. Avoid sudden changes in direction.

Turn on the machine.

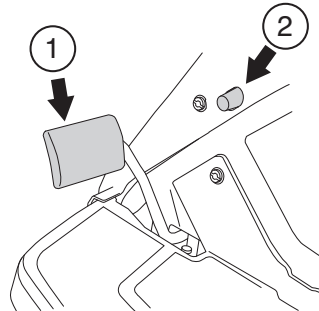
- 1 Disconnect the charging cable. The machine cannot be used when it is connected to the charger.



- 2 Sit on the seat.
- 3 Lift up the cutting unit by pulling the lever backwards to its locked position.



- 4 Activate the parking brake. This is done as follows:

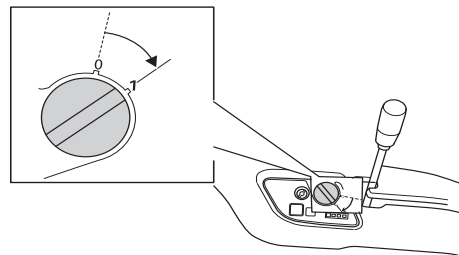


- Press down the parking brake pedal (1).
- Press in the lock button (2) on the steering column.
- Release the brake pedal while holding the button pressed.

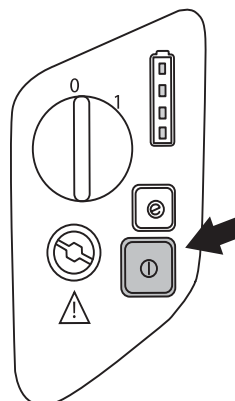
The parking brake lock disengages automatically when the brake pedal is pressed.

The engine cannot be started unless the parking brake is pressed down.

- 5 Turn the ignition key to position 1. The start button then begins flashing green.



- 6 Push the start button. The start button lamp is solid green when the machine is running.

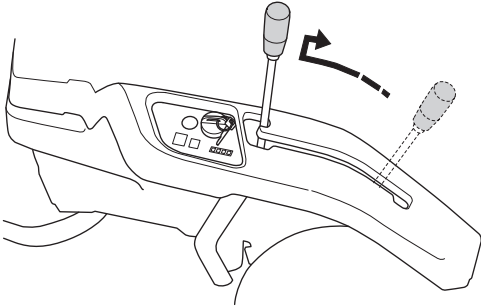


STARTING AND STOPPING

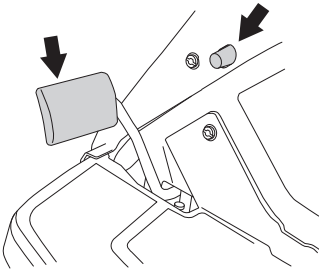
Deactivate the machine.

Always park the machine on an even surface with the machine inactivated.

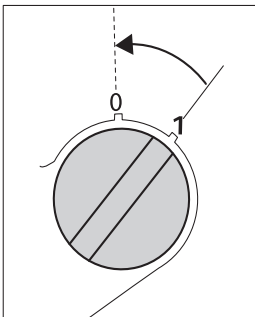
- 1 Lift up the cutting unit by pulling the lever backwards to its locked position.



- 2 When the Rider is at a standstill, press down the parking brake and push in the locking button.



- 3 Turn off the machine by turning the ignition key to the "0" position.



MAINTENANCE AND SERVICE

Maintenance schedule

The following is a list of the maintenance which should be conducted on the machine. For those points not described in this manual, visit an authorised service workshop.

Maintenance	Daily maintenance before starting	At least once a year	Maintenance interval in hours			
			25	50	100	200
Cleaning	X					
Check the steering wires	X					
Check the brakes	X					
Check the battery acid level and condition.	X					
Check the safety system	X					
Check nuts and screws	O					
Check the electrical cables and connections.			O			
Check the cutting deck			X			
Check the tyre pressures.			X			
Lubricate joints, shafts and chain			X			
Check/adjust parking brake				X		

X = Described in this operator's manual

O = Not described in this operator's manual



WARNING! No service procedures must be conducted on the engine or cutting unit unless:

The machine is turned off

The ignition key has been removed from the ignition and the electrical cable is disconnected from the battery terminal.

The parking brake is applied.



WARNING! Never wear jewellery, watches or similar when cleaning, carrying out repair work on or inspecting the machine.

MAINTENANCE AND SERVICE

General



WARNING! Before carrying out repair work, cleaning or inspection, the machine must be in standstill and turned off.

Never make adjustments with the machine running. Turn the switch to the "0" position and remove the electric cable from the battery terminal.

Low season is the most suitable time to perform a service or overhaul of the machine in order to ensure high function safety during high season.

When ordering spare parts state your machine's purchase year, model, type, and serial number.

Always use genuine parts.

An annual check-up by an authorised servicing dealer is a good way to ensure that your ride-on mower performs at its best the following season.

- Never wear jewellery, watches or similar when cleaning, carrying out repair work on or inspecting the machine.

Do not modify safety equipment. Check regularly to be sure it works properly. The machine must not be driven if protective plates, protective covers, safety switches or other protective devices are not fitted or are defective.

- Observe the risk of injury caused by moving or hot parts if the engine is started with the engine cover open or protective cowlings removed.
- The blades are sharp and can cause cuts. Wrap the blades or wear protective gloves when handling them.

Cleaning

Clean the machine directly after use. It is much easier to wash off grass cuttings before they dry.



IMPORTANT INFORMATION Always park the machine on an even surface with the machine inactivated before carrying out any maintenance work.

Oily dirt can be removed using a cold degreasing agent. Spray on a thin layer.

Rinse at normal water pressure. Do not use a high pressure washer to clean the machine.

Do not direct the jet towards electrical components or bearings.

Hose down the cutting unit with water underneath each time it is used, avoid using a high pressure washer. It is recommended that you start the machine and run the cutting deck for a short period after cleaning, so that any remaining water is blown off.

Lubricate the machine if necessary after cleaning. Carry out extra lubrication when the bearings have been exposed to a degreaser or a water jet.

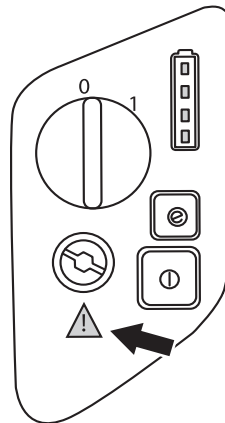
IMPORTANT! Do not use a high pressure washer to clean the machine. There is a major risk of water penetrating into bearings and electrical connections. Corrosion attack can result, which will lead to running problems. Cleaning additives generally aggravate the damage.

Warning light



WARNING! Let the machine cool down slightly before carrying out checks and maintenance on it.

The warning lamp is fitted in the control panel.



If a fault occurs in the machine, the lamp lights up red.

Warning light	Cause	Action
Constant red light	The cutting unit has stopped working due to high load.	Deactivate the machine and wait for the engine to cool down slightly before restarting.
	The cutting unit is lowered when attempting to activate.	Lift up the cutting unit by pulling back on the lever to its locked position. Try to start again, see 'Turn on the machine'.
	Low battery voltage.	Check the level of battery acid and charge the battery.
	Defective cutting unit motors.	Contact an authorised service workshop.
	Defective drive motor	Contact an authorised service workshop.

MAINTENANCE AND SERVICE

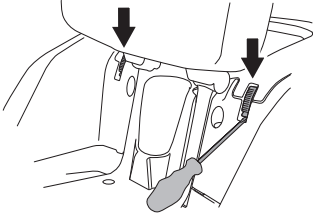
Removing of the machine hoods

Battery covers

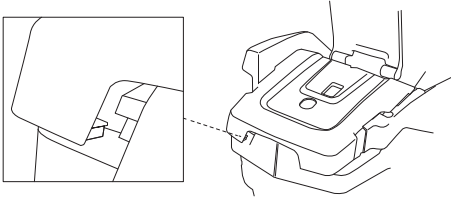
The batteries are accessible for service when the battery covers are removed. One battery is located in the rear carriage and two batteries are located under the seat.

The two front batteries are located under the seat.

- Loosen the two snap locks, fold back the seat and remove the cover.

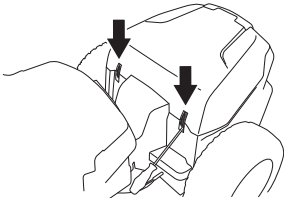


- When fitting the cover, its hooks must be inserted into the rear slots.

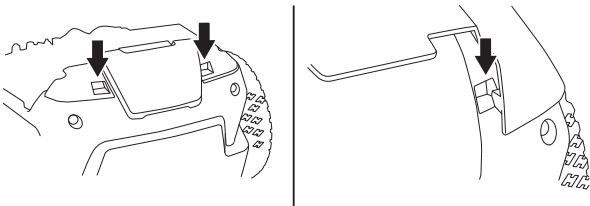


One battery is stored in the rear carriage.

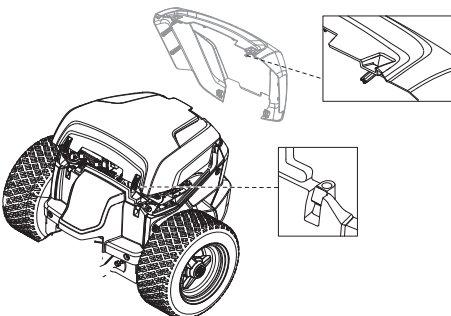
- Loosen the snap locks (one on each side) and remove the cover entirely.



- When fitting the cover, its hooks must be inserted into the rear slots.

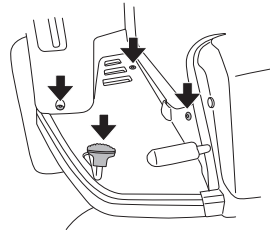


- Make sure the cover's guide pins align with the slots and then close the snap locks.



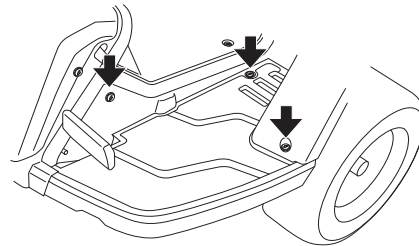
Right-hand fender

- Remove the screws and the back pedal knob, and lift off the cover.



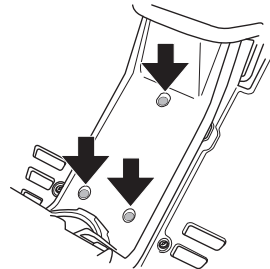
Left-hand fender

- Loosen the screws holding the wing cover and lift off the cover.



Protective cover

- Remove the protective cover by unscrewing the screws.



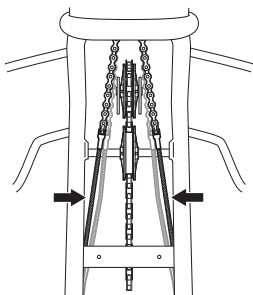
MAINTENANCE AND SERVICE

Checking and adjusting the steering wires

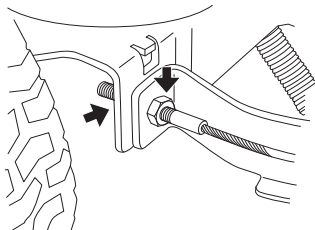
The steering is controlled by means of wires. These can in time become slack, which implies that the adjustment of the steering becomes altered.

Check and adjust the steering as follows:

- 1 Remove the protective cover. For more information, see 'Removing the ride-on mower covers'.
- 2 Check the tension of the steering wires by squeezing them together by the arrows as illustrated.



- 3 If necessary, the wires can be adjusted by tightening the adjuster nuts on each side of the steering collar. Do not over tighten the cables; they should only be drawn in towards the steering collar.



Hold the cable, for example using an adjustable wrench, so that it does not twist.

If you only tension one side the steering wheel's centre position may change.

Check the wire tension on completion of the adjustment as per item 2.

Check the level of the battery acid

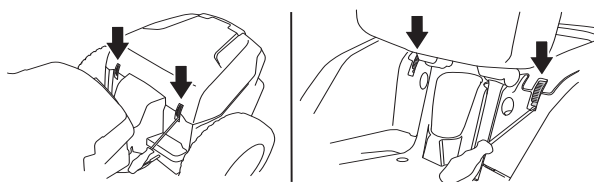


WARNING! Wear gloves and protective goggles when working with the battery. Be especially careful when handling battery acid. Acid on the skin can cause serious corrosive injuries. In the event of spillage on the skin wash immediately with water.

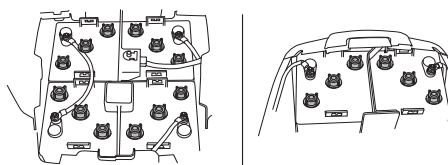
Batteries emit explosive gas. Sparks, flames and cigarettes must absolutely not be brought into the vicinity of the battery.

The machine has three batteries connected in series. One battery is located in the rear carriage and two batteries are located under the seat.

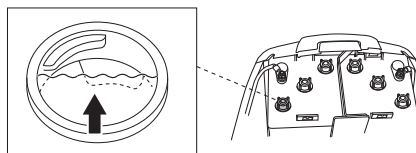
- Loosen the snap lock and lift off the battery covers.



- Unscrew the battery lids and check that the battery acid just covers the battery cells.



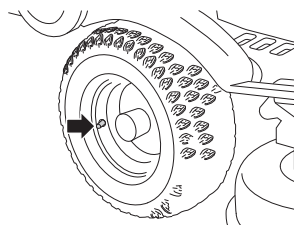
- Check that the battery acid level reaches up to the level pin in each cell.



- Top up the cells with distilled water only.

Checking the tyre pressure

The tyre pressure should be 60 kPa / 0.6 bar / 9 PSI on all wheels. In order to improve drive power, the pressure in the rear tyres can be reduced to 40 kPa / 0.4 bar / 6 PSI.



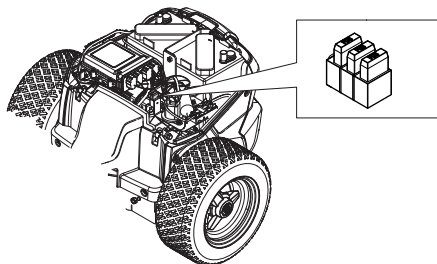
IMPORTANT INFORMATION Different tyre pressures on the front tyres will result in the blades cutting the grass at different heights.

MAINTENANCE AND SERVICE

Fuses

Fuses are located in a fuse holder under the rear battery cover.

The fuse holder houses three fuses.



- Yellow - 5A, Key switch fuse
- Blue - 15A, Charge fuse
- Green - 30A, Freewheel fuse

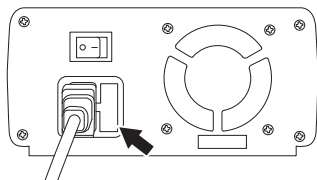
Do not use any other type of fuse when replacing.

A blown fuse is indicated by a burnt connector. Pull the fuse from the holder when replacing.

The fuse is there to protect the electrical system. If it blows again shortly after replacement, it is due to a short circuit, which must be fixed before the machine can be put into operation again.

Fuse on the battery charger.

A glass fuse is fitted to the battery charger.



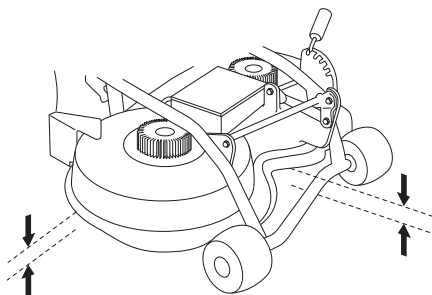
Replacement must be performed by an authorized servicing dealer.

Checking the cutting unit's parallelism

Check the cutting unit's parallelism as follows:

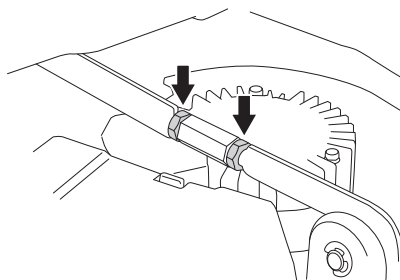
- 1 Check the air pressure in the tyres 60 kPa / 0.6 bar / 9 PSI.
- 2 Place the machine on a flat surface.
- 3 Measure the distance between the ground and the front and rear edges of the cutting unit hood.

The cutting deck must have a slight tilt, with the rear edge 5-7 mm (1/5-1/4") higher than the front edge.

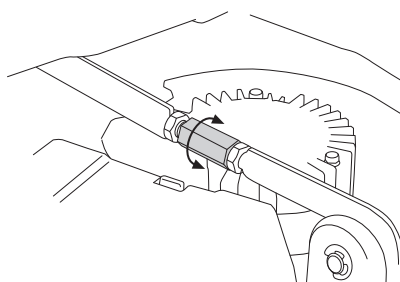


Adjusting the parallelism of the cutting unit

- 1 Check the air pressure in the tyres 60 kPa / 0.6 bar / 9 PSI.
- 2 Loosen the parallelism stay's nuts, the inner nut has a left-hand thread.



- 3 Screw out (extend) the strut to lower the rear edge of the cover.
Screw in (shorten) the strut to raise the rear edge of the cover.



- 4 Tighten the nuts after adjustment.
- 5 On completion of the adjustment the unit's parallelism should be re-checked.

Checking the blades

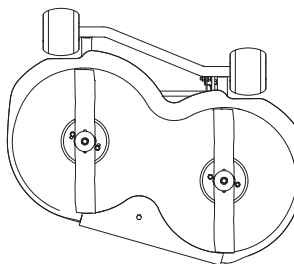


WARNING! Wear gloves to protect your hands when working with the blades.

To achieve the best mowing results it is important that the blades are undamaged and well-sharpened.

Excessive vibration in the machine may be caused by damaged or loose blades.

- Remove the cutting deck. See the "Removing the Cutting Deck" section.
- Check that the blades' attachment screws are tight.
- Check that the blades are intact and not damaged.



Damaged blades should be replaced when hitting obstacles that result in a breakdown.

The blades should be balanced after sharpening.

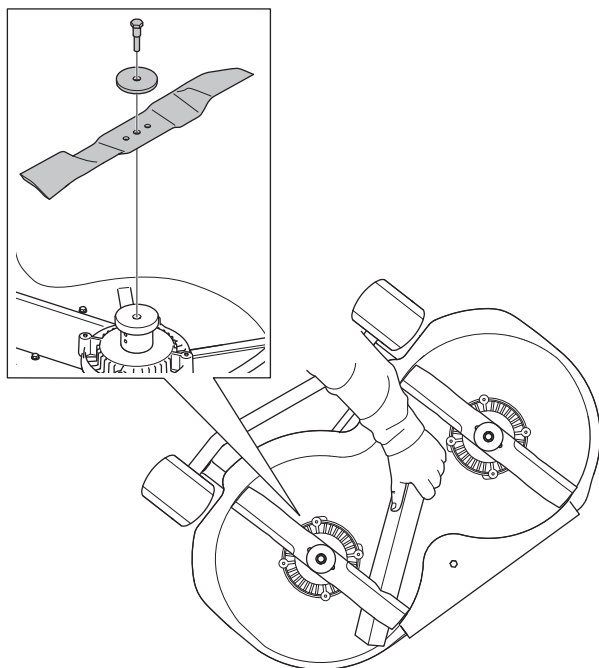


WARNING! Do not use blades that are cracked, chipped, or otherwise show signs of damage or severe wear. Replace the blades. The risk increases if the blades are poorly balanced.

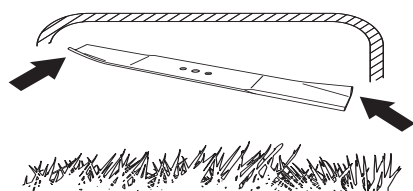
MAINTENANCE AND SERVICE

Replacing the blades

- Remove the cutting deck. See the "Removing the Cutting Deck" section.
- Lock the blade with a wooden block. Loosen the blade bolt and remove the blade bolt, the washer and the blade.



- Assemble the parts in the reverse order.
- The blade must be mounted with the angled ends pointing up towards the cover.



- Tightening torque **45-50 Nm** (4.5-5 kpm/32-36 lbft).



WARNING! Wear gloves to protect your hands when working with the blades.

IMPORTANT INFORMATION

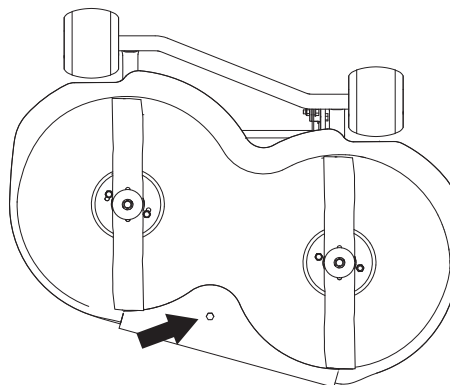
Always exercise care and use your common sense. Avoid all situations which you consider to be beyond your capability. If you still feel uncertain about operating procedures after reading these instructions, you should consult an expert before continuing. Contact an authorised service workshop.

Always use genuine parts. For more information, see the "Technical data" section.

Removing the BioClip plug

To change a Combi deck from the BioClip function to a cutting deck with rear ejection, remove the BioClip plug, which is located under the unit, attached with a screws.

- 1 Remove the cutting deck. See the "Removing the Cutting Deck" section.
- 2 Loosen the screw holding the plug and remove it.



- 3 Fit cutting unit.
- 4 Fit the BioClip plug in the reverse order.

General lubrication

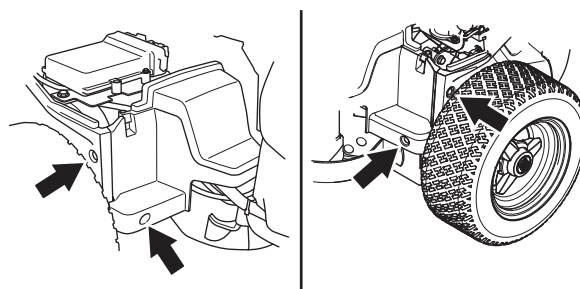
All joints and bearings are lubricated using molybdenum disulphide grease during manufacture. Continue to lubricate using the same type of grease *. Lubricate the steering and control wires using engine oil.

Carry out this lubrication regularly.

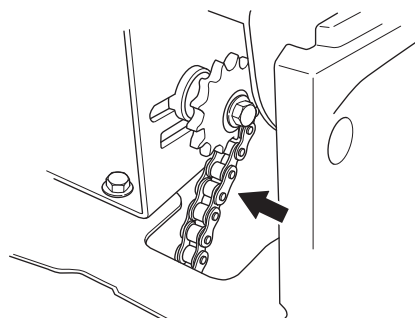
*Grease from well-known brand names (petrochemical companies, etc.) usually maintains a good quality.

Lubrication of drive chain

Remove the cover. It is secured with four screws. Two on each side.



Lubricate the chain with engine oil or other good quality oil.



WARNING! Take extra care when lubricating adjacent to the parking brake disc. Oil on the brake disc can result in reduced braking ability.

TROUBLESHOOTING

Troubleshooting schedule

Problem	Cause	Steps
Warning lamp on the control panel lights up solid red.	Motor failure	Contact an authorised service workshop.
	Incorrect starting procedure.	For more information, see 'Turn on the machine'.
	Low battery voltage.	Check the level of battery acid and charge the battery.
	Engines over heated	Turn off the machine and let it cool down.
The machine cannot be started	The switches are not engaged (P-brake and seat switch).	Apply the parking brake.
	Forward/back pedal depressed.	Release both pedals.
	The charging socket is in the machine.	Always disconnect the charger before starting the engine.
	Operator panel broken	Contact an authorised service workshop.
	The switch in the ignition is faulty	
	CCU or contacts are faulty	
The operator panel does not light up when the key is turned	The batteries are not charged enough.	Charge the battery.
	Blown 5 A fuse	Change the fuse
	CCU or contacts are faulty	Contact an authorised service workshop.
	The switch in the ignition is faulty	
	Operator panel broken	
The cutting deck does not work	Check that the bottom of the cutting deck is clean (not full of grass).	Disconnect the machine from power, remove battery terminals. Check that the blades can rotate freely. Clean underside of cutting unit
	The batteries are not charged enough.	Charge the battery.
	Check that the safety switch by the equipment frame is engaged (pressed in)	Check the cables between the machine and the cutting deck.
	Check the safety switch by the lifting lever.	
	The cutting deck motor is faulty.	Contact an authorised service workshop.
	The cutting deck motor control is faulty.	
The machine does not charge	The charger is not connected correctly.	See 'Charge the battery' for more information.
	The charger is faulty	Change charger.
	Blown 15 A fuse	Change the fuse
	Low battery acid level	See the "Checking the battery acid level" section.
	One or more battery cells faulty	Replace the battery
	Poor contact with battery terminal cable connectors.	For more information, see 'Battery handling'.
Turned off machine with disengaged P-brake rolls easily	Blown fuse (30 A)	Change the fuse
Machine vibrates	Blades are loose	See the "Checking the blades" section.
	A cutting deck motor is loose.	Tighten the screws.
	One or more blades unbalanced, caused by damage or poor balancing after sharpening	Balancing or sharpening the blades should be conducted by a service workshop.
Uneven mowing	Blades blunt	For more information, see 'Before starting'.
	Long or wet grass	
	Cutting unit set incorrectly, check parallelism.	For further directions, see 'Adjusting the parallelism of the cutting unit'
	Grass blockage under hood	Clean underside of cutting unit
	Different tyre pressures on right and left sides	Check and adjust tyre pressure.
	Over-speeding	Activate savE
	Cutting height too low	Check/adjust cutting height setting

TECHNICAL DATA

Rider Battery	
Dimensions	
Length without cutting unit, cm/in	174/5.7
Length with cutting unit, cm/ft	208/6.8
Width without cutting unit, cm/in	79/2.6
Width with cutting unit, cm/ft	89 / 2,92
Height, cm/in	106/3.5
Machine without cutting unit, with empty tanks, kg/lb	241/531,3
Wheel base, cm/in	80/2.62
Tyre dimensions	155/50-8
Air pressure, rear - front, kPa / bar / PSI	60 / 0,6 / 9
Drive motor	
Engine type	Brushless DC engine
Voltage, V	36
Nominal engine output, kW	1,5
Max.motor speed, r/min	3000
Blade motors	
Engine type	Brushless DC engine
Voltage, V	36
Nominal engine output, kW	0.8
Max.motor speed, r/min	3600
Electrical system	
Type	36 V.DC
Main fuse, A	150
Cutting deck fuse, A	80
Charging fuse, A	15
Key switch fuse, A	5
Freewheel fuse, A	25
Noise emissions and cutting width (see note 1)	
Sound power level, measured dB (A)	93
Sound power level, guaranteed dB(A)	95
Cutting width, cm/inch	85/33,5
Sound levels (see note 2)	
Sound pressure level at the operators ear, dB(A)	82
Vibration levels (see note 3)	
Vibration level on the steering wheel, m/s ²	0,4
Vibration level in the seat, m/s ²	0,1
Transmission	
Brand	Topec T7100
Lubricant	SAE 80W-90
Forward speed, km/h.	0-7
Reverse speed, km/h	0-3

Note 1: Noise emissions in the environment measured as sound power (L_{WA}) in conformity with EC directive 2000/14/EC.

Note 2: Noise pressure level according to ISO 5395. Reported data for noise pressure level has a typical statistical dispersion (standard deviation) of 1.2 dB(A).

Note 3: Vibration level according to ISO 5395. Reported data for vibration level has a typical statistical dispersion (standard deviation) of 0.2 m/s² (steering wheel) and 0.8 m/s² (seat).

TECHNICAL DATA

Battery	
Type of battery	Open lead acid
Voltage, V/Ah	3x (12 V/135 Ah)
Weight, kg	40
Battery charger	
Type	Smart Charger, WHC-36V11A
Input	200-240VAC, 3.5A, 50/60Hz
Output	36VDC, 11A
Weight, kg	2,4

Cutting unit	Combi 85
Weight, kg/lb	29/64
Cutting heights, 5 positions, mm/inch	25-70 / 1-2 3/4
Blade	
Article number	5810835-01
Blade length, mm/inch	430/17

IMPORTANT! When the service life of this product has been served and it is no longer used it should be returned to the dealer or to an applicable station for recycling.

IMPORTANT! We reserve the right to change specifications and designs without prior notice so as to implement improvements. Note that no legal claims are valid on the basis of information in this manual. Use only genuine parts for repairs. The warranty is not valid if non genuine parts are used.

TECHNICAL DATA

EC Declaration of Conformity (Applies to Europe only)

Husqvarna AB, SE-561 82 Huskvarna, Sweden, tel.: +46 (0) 36 14 65 00, declares that the ride-on mower, Husqvarna Rider Battery, from 2012's serial numbers and onwards (the year is clearly stated on the rating plate followed by the serial number), complies with the requirements of THE COUNCIL'S DIRECTIVE:

of May 17, 2006 "relating to machinery" **2006/42/EC**.

of February 26, 2014 "relating to electromagnetic compatibility" **2014/30/EU**.

of May 8, 2000 "relating to the noise emissions in the environment" **2000/14/EC**.

Information regarding noise emissions and the mowing width, see Technical data

The following harmonised standards have been applied: **EN ISO 12100-2, EN ISO 5395-3:2013, EN ISO 14982 6.1, 6.2**

0404, SMP Svensk Maskinprovning AB, Box 7035, SE-750 07 Uppsala, has issued reports regarding the assessment of conformity according to annex VI of the COUNCIL'S DIRECTIVE of May 8, 2000 "relating to the noise emissions in the environment" 2000/14/EC.

The certificates have the numbers: 01/901/158

Huskvarna 19 may 2014



Claes Losdal, Development Manager/Garden Products
(Authorized representative for Husqvarna AB and responsible for technical documentation.)

Original instructions

1156980-26



2016-01-13

Rev.2