

Gasoline containing up to 10% ethanol (E10) is acceptable for use in this machine. The use of any gasoline exceeding 10% ethanol (E10) will void the product warranty.

Parts Manual

RZ46215 / 967009805



Please read the operator's manual carefully and make sure you understand the instructions before using the machine.

When you need spare parts or support in service questions, warranty issues, etc., please consult the following professional:

This Parts Manual belongs to the machine with the manufacturing number:	Engine	Transmission

Manufacturing Number

The machine's manufacturing number can be found on the printed plate affixed to the engine compartment.

Stated on the plate, from the top are:

- The machine's type designation (I.D.).
- The manufacturer's type number (Model).
- The machine's serial number (Serial no.)

Please have the type designation and serial number available when ordering spare parts.

The engine's manufacturing number is stamped on one of the valve covers.

The plate states:

- The engine's model.
- The engine's type.
- Code

Please have these available when ordering spare parts.

The wheel motors and hydrostatic pumps have a barcode decal affixed at the rear.

Accessories Available

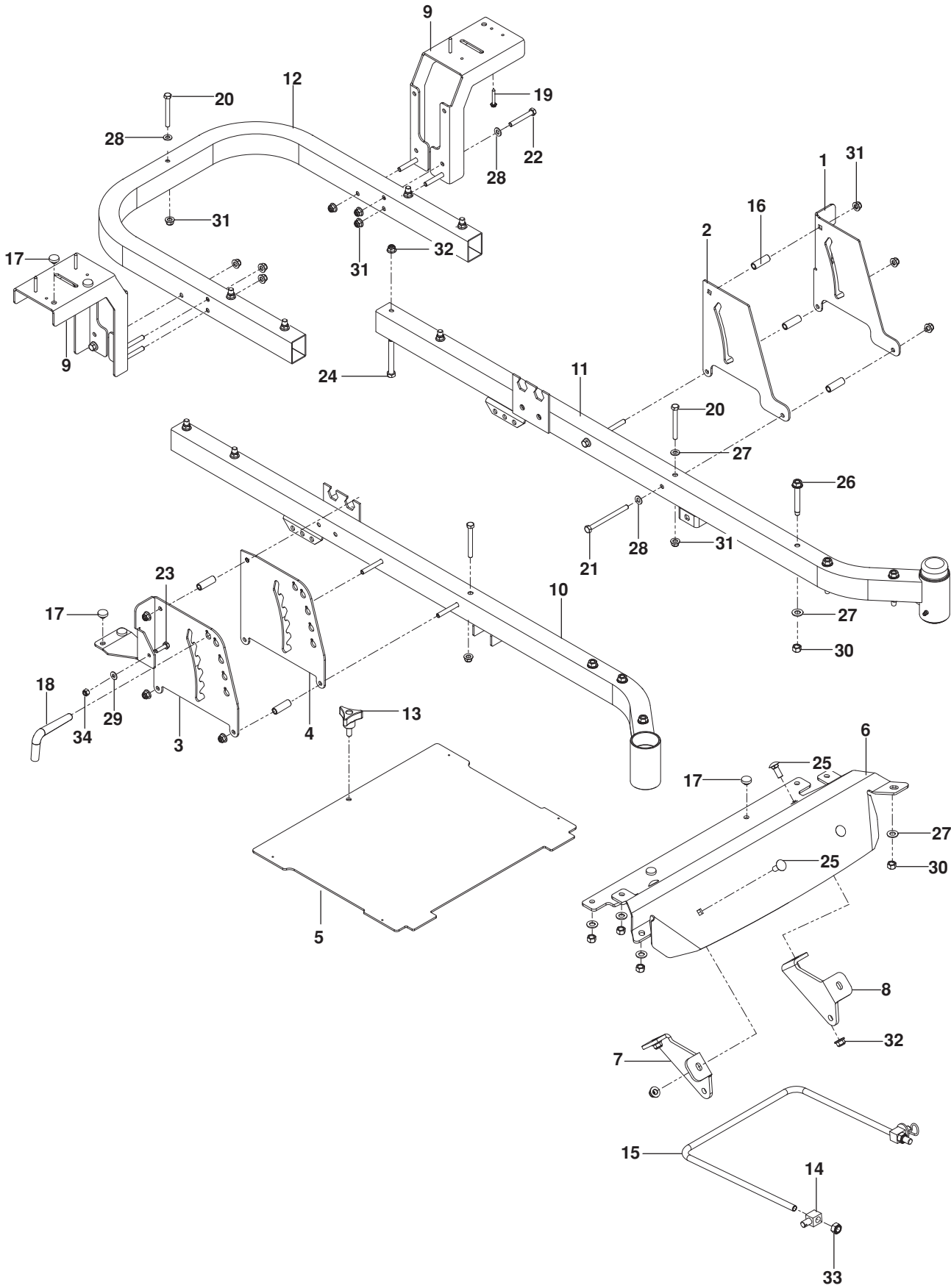
Collection System.....	966 004101
Mulch Kit.....	531 309580

CONTENTS

FRAME.....	4
ENGINE PLATE.....	6
STEERING	8
IGNITION.....	10
BRAKE / LIFT.....	12
HYDRAULIC PUMP / MOTOR	14
WHEELS AND TIRES.....	16
MOWER DECK / CUTTING DECK.....	18
SEAT	20
DECALS.....	22
ACCESSORIES	
BAGGER.....	24
CHUTES, MOUNT.....	26

NOTE: ALL FASTENERS ARE GRADE 5 UNLESS OTHERWISE SPECIFIED.

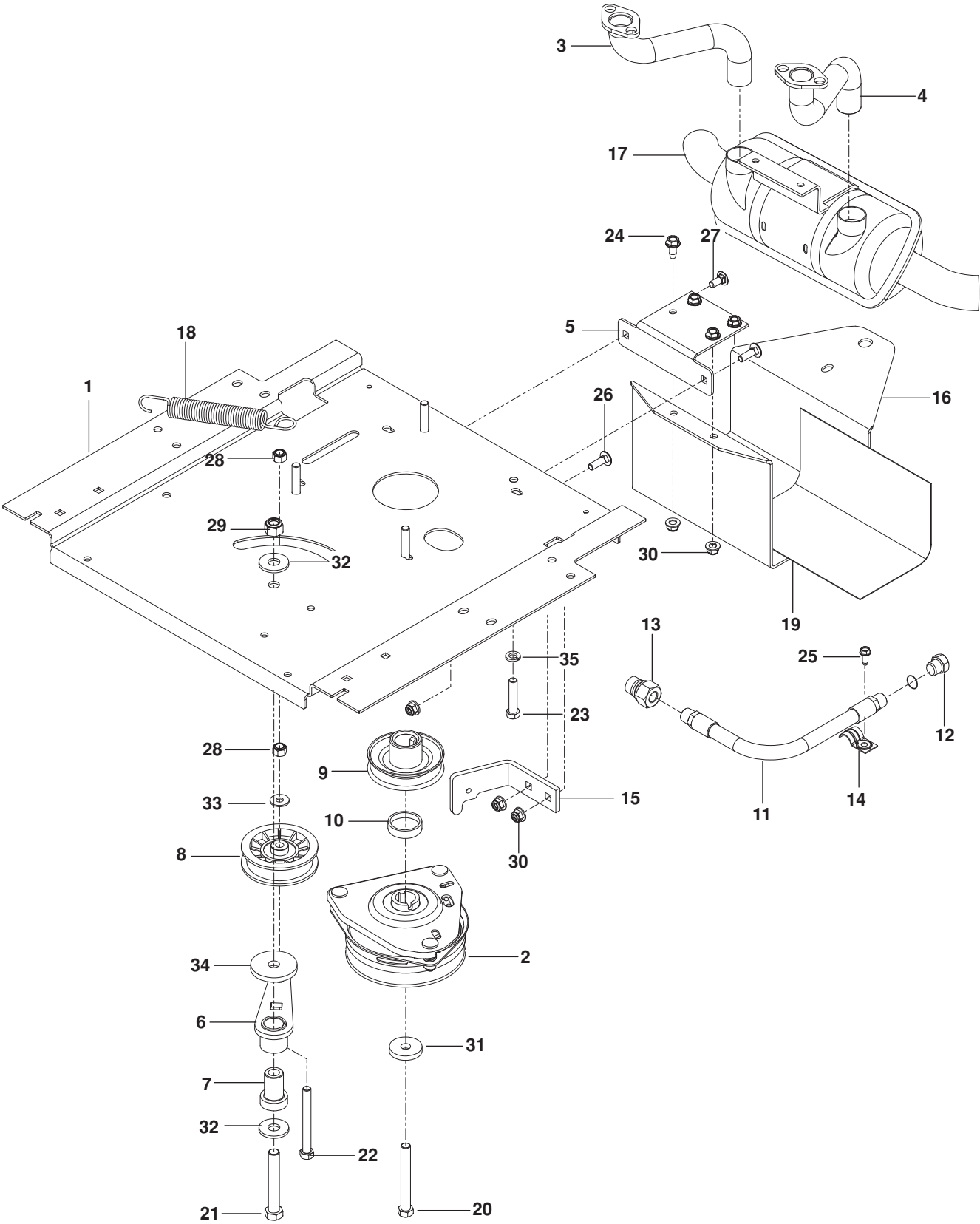
FRAME



FRAME

ITEM	PART NO.	QTY.	DESCRIPTION	ITEM	PART NO.	QTY.	DESCRIPTION
1..	510 261802....	1....	PLATE, OUTER BRAKE BLK	19..	539 110674....	4....	SCREW 10-12 x 1¼ HEX WSH
2..	510 206703....	1....	PLATE, BRAKE LATCH BLK	20..	874 780544....	3....	HCS 5/16-18 x 2¾
3..	580 528002....	1....	PLATE, LIFT OUTER BLK	21..	874 780564....	4....	HCS 5/16-18 x 4
4..	510 240502....	1....	PLATE, LIFT INNER BLK	22..	874 780536....	6....	HCS 5/16-18 x 2¼
5..	522 842902....	1....	FOOT PLATE w/ SFTY DECLS	23..	874 780416....	2....	HCS ¼-20 x 1
6..	522 719506....	1....	FOOT REST ORG	24..	874 780648....	8....	HCS 3/8-16 x 3
7..	581 222802....	1....	MOUNT, STRUT RT BLK	25..	872 141608....	4....	RHSNB 3/8-16 x 1
8..	581 222902....	1....	MOUNT, STRUT LT BLK	26..	817 490642....	6....	BOLT 3/8-16 x 25/8 THD FRM
9..	510 225902....	2....	SUPPORT, FENDER BLK	27..	819 141614....	6....	WASHER 3/8 STD FLT
10..	510 177503....	1....	FRAME, FRONT RT ORG	28..	819 111116..	13....	WASHER 5/16 SAE FLT
11..	510 177403....	1....	FRAME, FRONT LT ORG	29..	819 091016....	2....	WASHER ¼ FLAT SAE ZD
12..	510 177603....	1....	FRAME, REAR TUBE ORG	30..	539 200282....	6....	NUT 3/8-16 HEX JAM NYLOC
13..	539 104411....	1....	KNOB w/ STUD	31..	539 112899..	15....	NUT 5/16-18 HEX FLG NYLOC
14..	581 514301....	2....	SWIVEL	32..	521 996501....	8....	NUT 3/8-16 HEX FLG NYLOC
15..	521 938101....	1....	LINK, FRONT SUSPENSION	33..	539 119124....	2....	NUT 7/16-14 HEX NYLOC
16..	580 486101....	6....	SPACER ½ OD x 1½	34..	873 800400....	2....	NUT ¼-20 HEX NYLOC
17..	539 102587....	6....	GROMMET, BUMPER				
18..	510 016503....	1....	LIFT PIN				

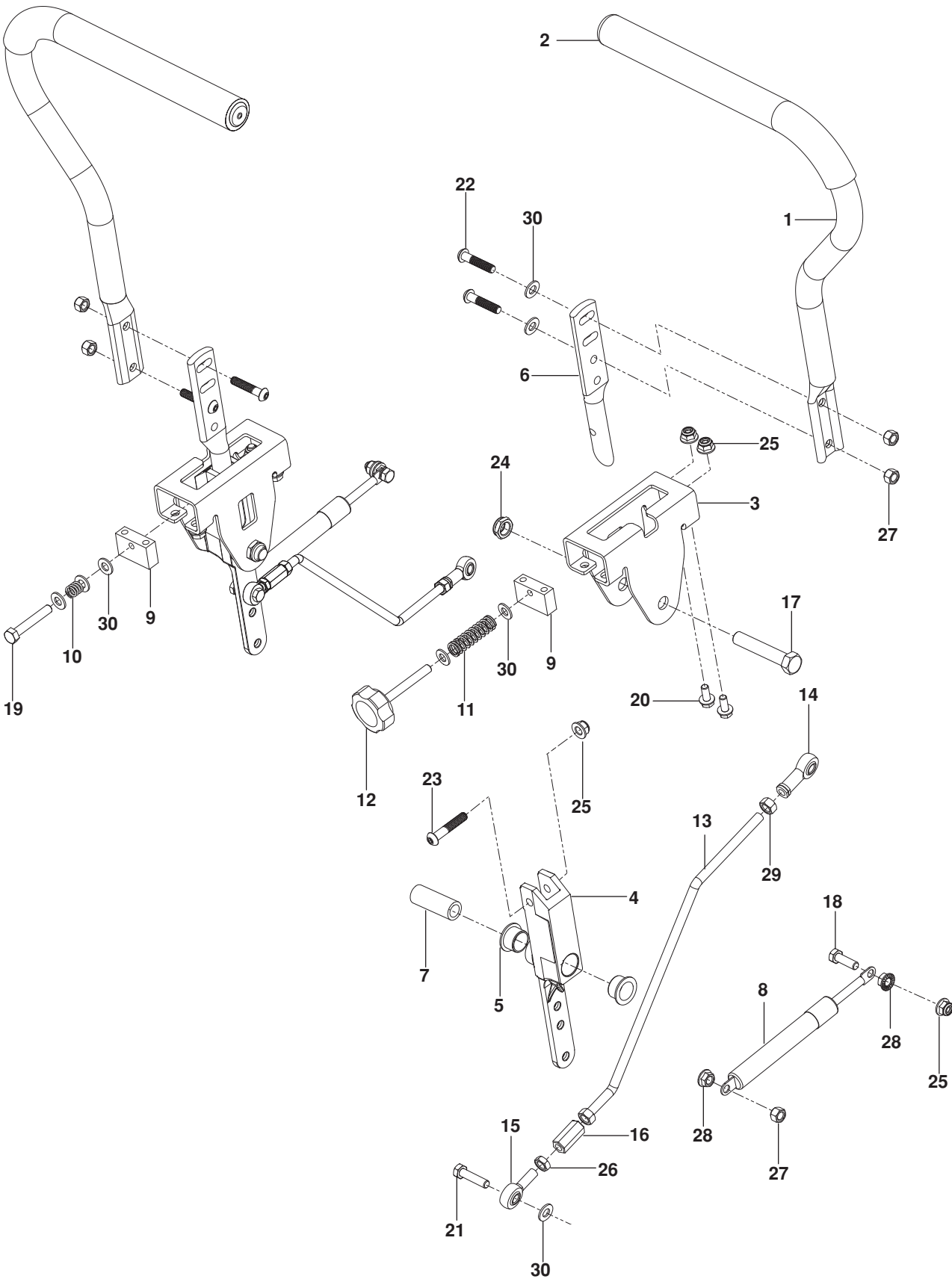
ENGINE PLATE



ENGINE PLATE

ITEM	PART NO.	QTY.	DESCRIPTION	ITEM	PART NO.	QTY.	DESCRIPTION
1..	532 448161....	1....	PLATE, ENGINE BLK	20..	581 332803....	1....	HCS 7/16-20 x 2 1/2
2..	532 400008....	1....	CLUTCH	21..	874 780852....	1....	HCS 1/2-13 x 3 1/4
3..	581 726501....	1....	TUBE, EXHAUST RT	22..	874 520656....	1....	HCS 3/8-16 x 3 1/2
4..	581 726401....	1....	TUBE, EXHAUST LT	23..	539 976949....	4....	HCS 3/8-16 x 1 3/4
5..	510 260402....	1....	BRACKET, MUFFLER BLK	24..	817 490512....	4....	BOLT 5/16-18 x 3/4 THD FRM
6..	539 112092....	1....	ARM, IDLER	25..	817 490410....	1....	SCREW 1/4-20 x 5/8 THD FRM
7..	539 101231....	1....	SPINDLE, IDLER	26..	872 140508....	2....	RHSNB 5/16-18 x 1
8..	539 110311....	1....	PULLEY, IDLER	27..	872 140506....	2....	RHSNB 5/16-18 x 3/4
9..	539 114530....	1....	PULLEY, ENGINE	28..	539 976979....	2....	NUT 3/8-16 HEX NYLOC
10..	577 094601....	1....	SPACER	29..	873 800800....	1....	NUT 1/2-13 HEX NYLOC
11..	584 825501....	1....	HOSE, DRAIN	30..	539 112899....	5....	NUT 5/16-18 HEX FLG NYLOC
12..	585 807101....	1....	PLUG, OIL	31..	532 126197....	1....	WASHER, CLUTCH
13..	584 825501....	1....	ADAPTER, OIL DRAIN	32..	819 182212....	2....	WASHER 1/2 FLT
14..	539 101363....	1....	CLAMP	33..	819 121414....	2....	WASHER 5/16 STD FLT
15..	522 442506....	1....	STOP, CLUTCH BLK	34..	539 112670....	1....	WASHER, HEAVY
16..	584 989802....	1....	GUARD, MUFFLER BLK	35..	810 030600....	4....	WASHER 3/8 SPLT LK
17..	581 726301....	1....	MUFFLER ASSY	NOT SHOWN			
18..	532 196105....	1....	SPRING, DECK DRIVE		532 198316 ...	1....	ADAPTER, CLUTCH
19..	539 132859....	1....	SHIELD, MUFFLER		522 598601 ...	1....	PIGTAIL

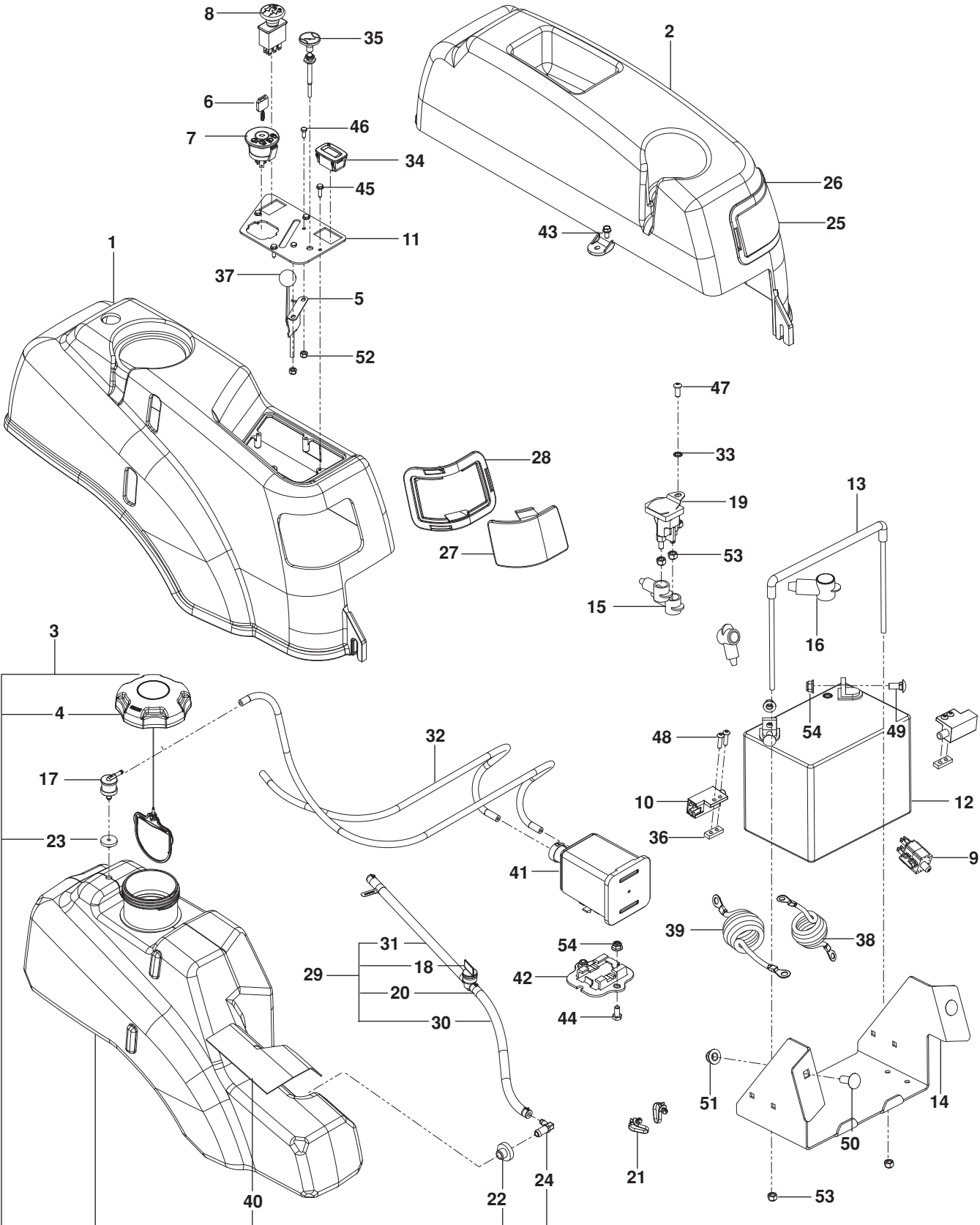
STEERING



STEERING

ITEM	PART NO.	QTY.	DESCRIPTION	ITEM	PART NO.	QTY.	DESCRIPTION
1..	579 036901....	2....	LEVER w/ GRIP	16..	539 116689....	2....	COUPLER, ROD END
2..	525 392901....	2....	GRIP, FOAM	17..	539 101332....	2....	HCS 1/2-13 x 2 3/4
3..	577 251701....	2....	BRACKET, CONTROL	18..	539 990209....	2....	HCS 5/16-18 x 1
4..	539 131518....	4....	BEARING, FLANGE	19..	539 976935....	1....	HCS 5/16-18 x 1 1/2
5..	576 140301....	2....	LEVER, CONTROL	20..	525 464701....	8....	HHFS 5/16-18 X 3/4
6..	577 420001....	2....	LEVER, HANDLE	21..	539 990669....	2....	HCS 5/16-18 x 1 3/4 TPBLT
7..	577 252401....	2....	SPACER, PIVOT CONTROL	22..	578 296402....	4....	SCREW 5/16-18 X 1 1/2 BTN HD
8..	539 102720....	2....	DAMPENER	23..	576 850402....	2....	SCREW 5/16-18 X 1 3/4 BTN HD
9..	577 251801 ...	2....	BLOCK, TRACKING	24..	539 108010....	2....	NUT 1/2-13 HEX JAM NYL GR2
10..	539 102845....	1....	SPRING	25..	539 112899..	10....	NUT 5/16-18 HEX FLG NYLOC
11..	576 850301....	1....	SPRING	26..	539 991073....	2....	NUT 5/16-24 HEX JAM LH
12..	539 131799....	1....	KNOB	27..	539 990717....	6....	NUT 5/16-18 HEX NYLOC
13..	580 624201....	2....	ROD, MOTION CONTROL	28..	539 990585....	4....	NUT 5/16-18 HEX WHIZLK
14..	539 115729....	2....	ROD END RH	29..	539 990223....	4....	NUT 5/16-24 HEX
15..	539 116690....	2....	ROD END MALE LH	30..	539 990188..	10....	WASHER 5/16 SAE FLT

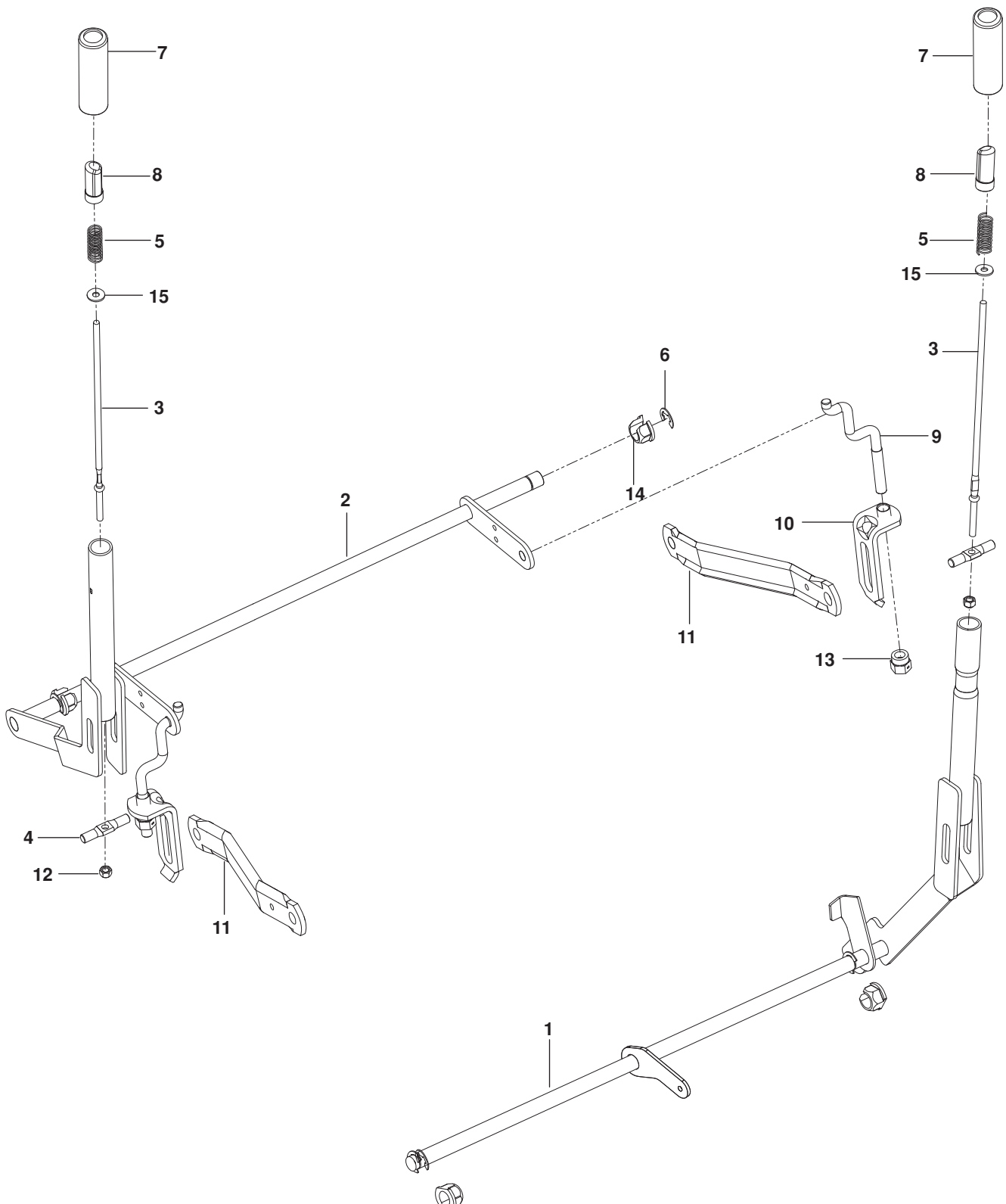
IGNITION



IGNITION

ITEM	PART NO.	QTY.	DESCRIPTION	ITEM	PART NO.	QTY.	DESCRIPTION
1..	578 178901....	1....	FENDER, RT GRY	30..	539 932956....	1....	FUEL LINE 10"
2..	539 130374....	1....	FENDER, LT GRY	31..	539 104993....	1....	FUEL LINE 14"
3..	578 180601....	1....	TANK ASSY, FUEL	32..	575 437802....	2....	HOSE, VAPOR 3/16 x 33"
4..	575 018101....	1....	CAP, FUEL w/ TETHER	33..	539 990053....	1....	WASHER 1/4 ITLW
5..	539 112734....	1....	CABLE, THROTTLE	34..	532 401763....	1....	MINDER, SERVICE
6..	532 140401....	1....	KEY, IGNITION	35..	539 112439....	1....	CONTROL, CHOKE
7..	539 107541....	1....	SWITCH, IGNITION	36..	539 102678....	2....	PLATE, TAPPED
8..	532 174652....	1....	SWITCH, CLUTCH	37..	539 133049....	1....	KNOB
9..	539 113792....	1....	SWITCH, BRAKE	38..	539 103306....	1....	CABLE, POSITIVE RED
10..	532 109553....	2....	SWITCH, NC	39..	539 110068....	1....	CABLE, NEGATIVE BLK
11..	539 112735....	1....	PANEL, CONTROL	40..	522 559101....	1....	SHIELD, HEAT
12..	539 102436....	1....	BATTERY	41..	532 414114....	1....	CANISTER, CARBON
13..	539 131209....	1....	TIE DOWN, BATTERY	42..	575 242701....	1....	BRACKET, CANISTER
14..	510 231302....	1....	BOX, BATTERY BLK	43..	539 108461....	2....	BOLT 1/4-20 x 1/2
15..	539 116400....	3....	TERMINAL COVER	44..	539 108392....	2....	HCS 5/16-18 x 5/8
16..	539 102759....	1....	INSULATOR	45..	539 110673....	2....	SCREW 10-24 x 3/4 WSH HD
17..	576 618101....	1....	VALVE, FUEL CHECK	46..	539 990411....	2....	SCREW 10-24 x 1/2 HEX HD
18..	539 916325....	1....	VALVE, FUEL	47..	539 111229....	1....	SCREW 1/4-20 x 5/8 BTN SKT
19..	532 192507....	1....	SOLENOID	48..	574 822701....	4....	SCREW 10-24 x 3/4 SKT HD
20..	539 912222....	4....	CLAMP, HOSE	49..	539 990316....	2....	RHSNB 5/16-18 x 3/4
21..	505 280001....	2....	WIRE TIE	50..	539 990645....	2....	RHSNB 3/8-16 x 1
22..	539 105245....	1....	GROMMET, RUBBER	51..	521 996501....	2....	NUT 3/8-16 HEX FLG NYLOC
23..	576 618201....	1....	GROMMET, CHECK VALVE	52..	539 976977....	2....	NUT 10-24 HEX NYLOC
24..	539 110432....	1....	ELBOW	53..	539 976978....	5....	NUT 1/4-20 HEX NYLOC
25..	539 110056....	1....	LENS, LT	54..	539 112899....	4....	NUT 5/16-18 FLANGE NYLOC
26..	539 110455....	1....	RIM, LT	NOT SHOWN			
27..	539 110057....	1....	LENS, RT	581 091901 ...	1....	HARNES, WIRING	
28..	539 110451....	1....	RIM, RT				
29..	576 660702....	1....	FUEL LINE ASSY				

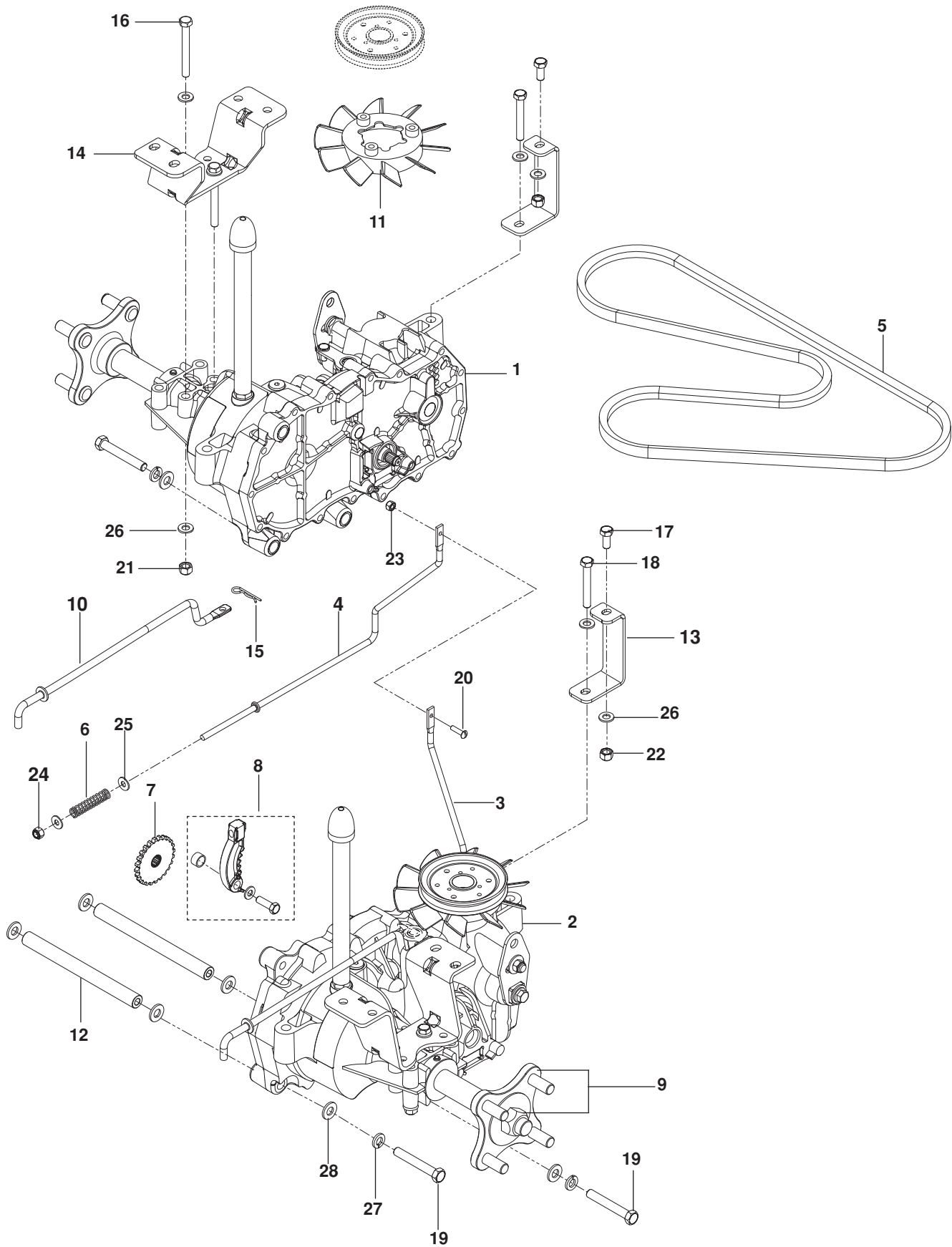
BRAKE / LIFT



BRAKE / LIFT

ITEM	PART NO.	QTY.	DESCRIPTION	ITEM	PART NO.	QTY.	DESCRIPTION
1..	580 435801....	1....	SHAFT, BRAKE	9..	525 847201....	2....	LINK, REAR SUSPENSION
2..	532 448208....	1....	SHAFT, LIFT	10..	522 858601....	2....	BRACKET, CENTERING LNK
3..	510 422901....	2....	ROD, HANDLE RELEASE	11..	532 195185....	2....	ARM, SUSPENSION RR
4..	580 960401....	1....	ROD, LATCH RELEASE	12..	873 800400....	2....	NUT ¼-20 HEX NYLOC
5..	510 030701....	2....	SPRING, COMPRESSION	13..	532 175994....	2....	NUT, LIFT LINK
6..	539 105069....	3....	E-RING	14..	510 184901....	4....	NUT, PLASTIC
7..	510 207201....	2....	GRIP, HANDLE	15..	819 091216....	1....	WASHER ¼ FLT
8..	510 207301....	2....	BUTTON, PUSH				

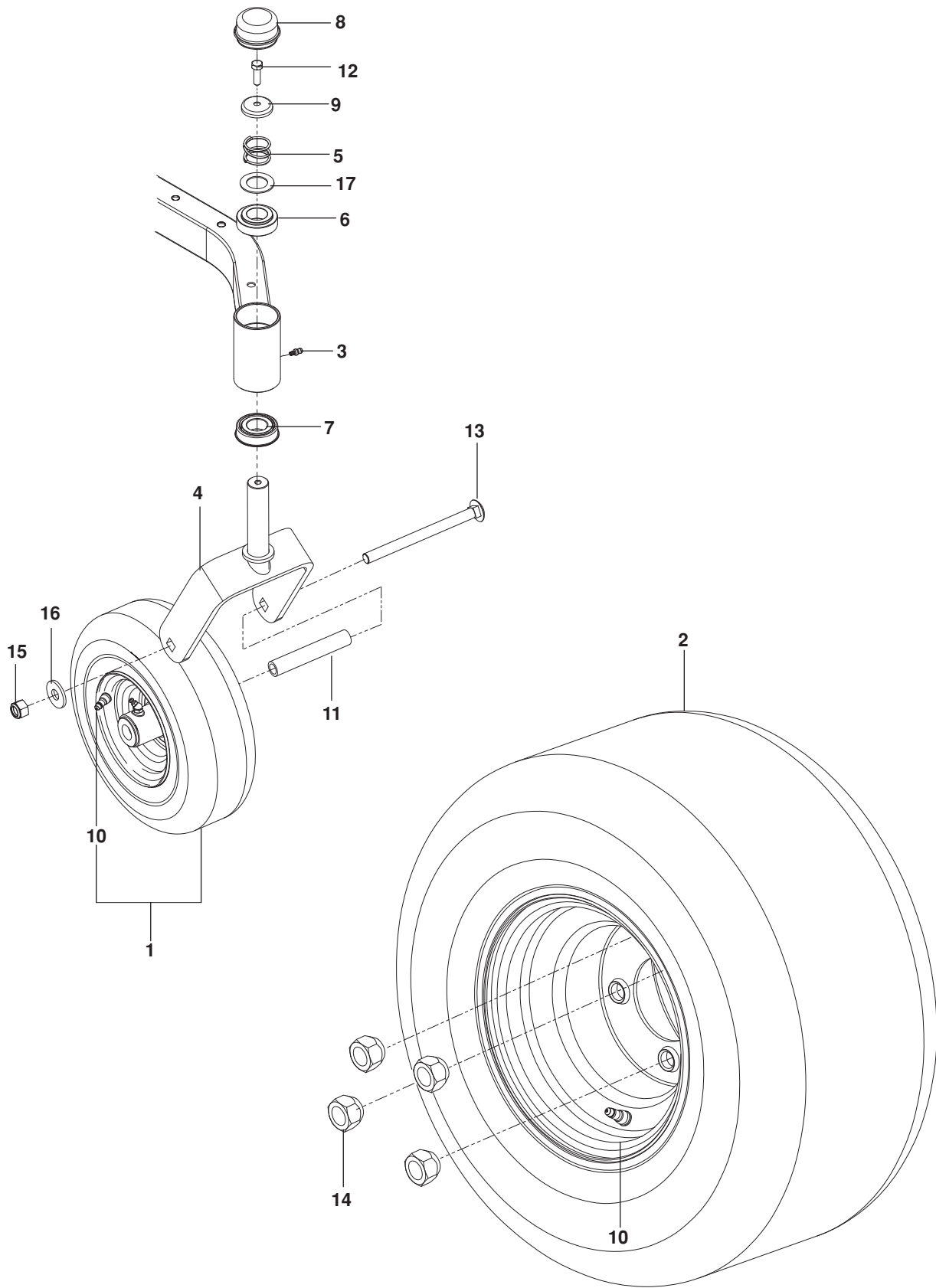
HYDRAULIC PUMP / MOTOR



HYDRAULIC PUMP / MOTOR

ITEM	PART NO.	QTY.	DESCRIPTION	ITEM	PART NO.	QTY.	DESCRIPTION
1..	510 375601....	1....	EZT, LT	15..	539 976988....	1....	HAIRPIN
2..	510 375602....	1....	EZT, RT	16..	539 101721....	4....	HCS $5/16$ -18 x $2\frac{3}{4}$
3..	574 030501....	1....	ROD, EZT BRAKE LT	17..	539 976934....	2....	HCS $5/16$ -18 x $3/4$
4..	574 030502....	1....	ROD, EZT BRAKE RT	18..	539 976938....	2....	HCS $5/16$ -18 x $2\frac{1}{4}$
5..	539 110411....	1....	BELT, EZT	19..	539 990637....	4....	HCS $3/8$ -16 x $2\frac{1}{2}$
6..	539 110342....	2....	SPRING, BRAKE ROD	20..	539 108535....	1....	SCREW 10-24 x $3/4$ SLTD RD
7..	539 120080....	2....	COG, BRAKE DISC	21..	539 990717..	10....	NUT $5/16$ -18 HEX NYLOC
8..	539 120079....	2....	BRAKE ARM KIT	22..	539 115617....	2....	NUT $5/16$ -18 NYLOC INSERT
9..	575 507001....	1....	HUB KIT w/ HUBS, NUTS	23..	539 976977....	1....	NUT 10-24 HEX NYLOC
10..	522 941101....	2....	LINK ARM, BYPASS	24..	539 976978....	2....	NUT $1/4$ -20 HEX NYLOC
11..	539 120785....	2....	BLADE, FAN	25..	539 990055....	4....	WASHER $1/4$ SAE FLT
12..	510 184101....	2....	SPACER TUBE	26..	539 990188..	14....	WASHER $5/16$ SAE FLT
13..	522 460702....	2....	SUPPORT, EZT FRT	27..	539 990118....	4....	WASHER $3/8$ SPLT LCK
14..	510 185102....	2....	MOUNT, EZT RR BLK	28..	539 990122....	8....	WASHER $3/8$ SAE FLT

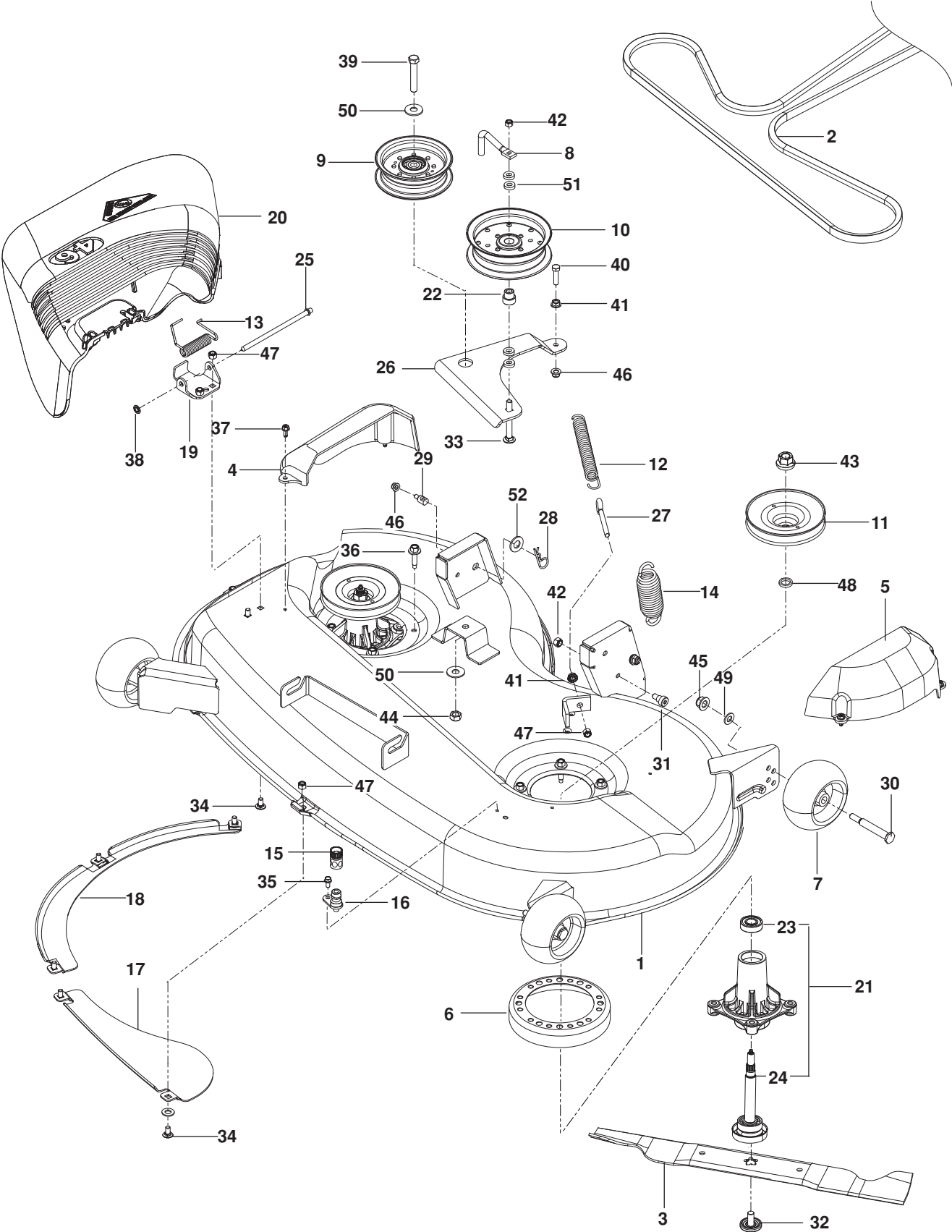
WHEELS AND TIRES



WHEELS AND TIRES

ITEM	PART NO.	QTY.	DESCRIPTION	ITEM	PART NO.	QTY.	DESCRIPTION
1..	576 588602....	2....	CASTER TIRE ASSY	10..	539 912234....	4....	VALVE STEM
2..	581 197301....	2....	WHEEL ASSY, REAR 18 x 8.5	11..	576 588901....	2....	SPACER
3..	539 115638....	2....	ZERK ³ / ₁₆ DRIVE	12..	874 950516....	2....	HHB ⁵ / ₁₆ -18 x 1 NYLOC
4..	576 588802....	2....	YOKE ORG	13..	576 601501....	2....	RHSNB 1/2-13 x 7 1/2
5..	539 115747....	2....	SPRING, CASTER	14..	539 101173....	8....	NUT 1/2 LUG
6..	539 117901....	2....	BUSHING, CASTER	15..	873 930800....	2....	NUT 1/2-13 HEX CNTRLK
7..	539 112660....	2....	BEARING, FLANGED	16..	819 182212....	2....	WASHER 1/2 FLT
8..	539 102535....	2....	GREASE CAP	17..	539 115675....	2....	WASHER
9..	539 115749....	2....	PLUG, CASTER				

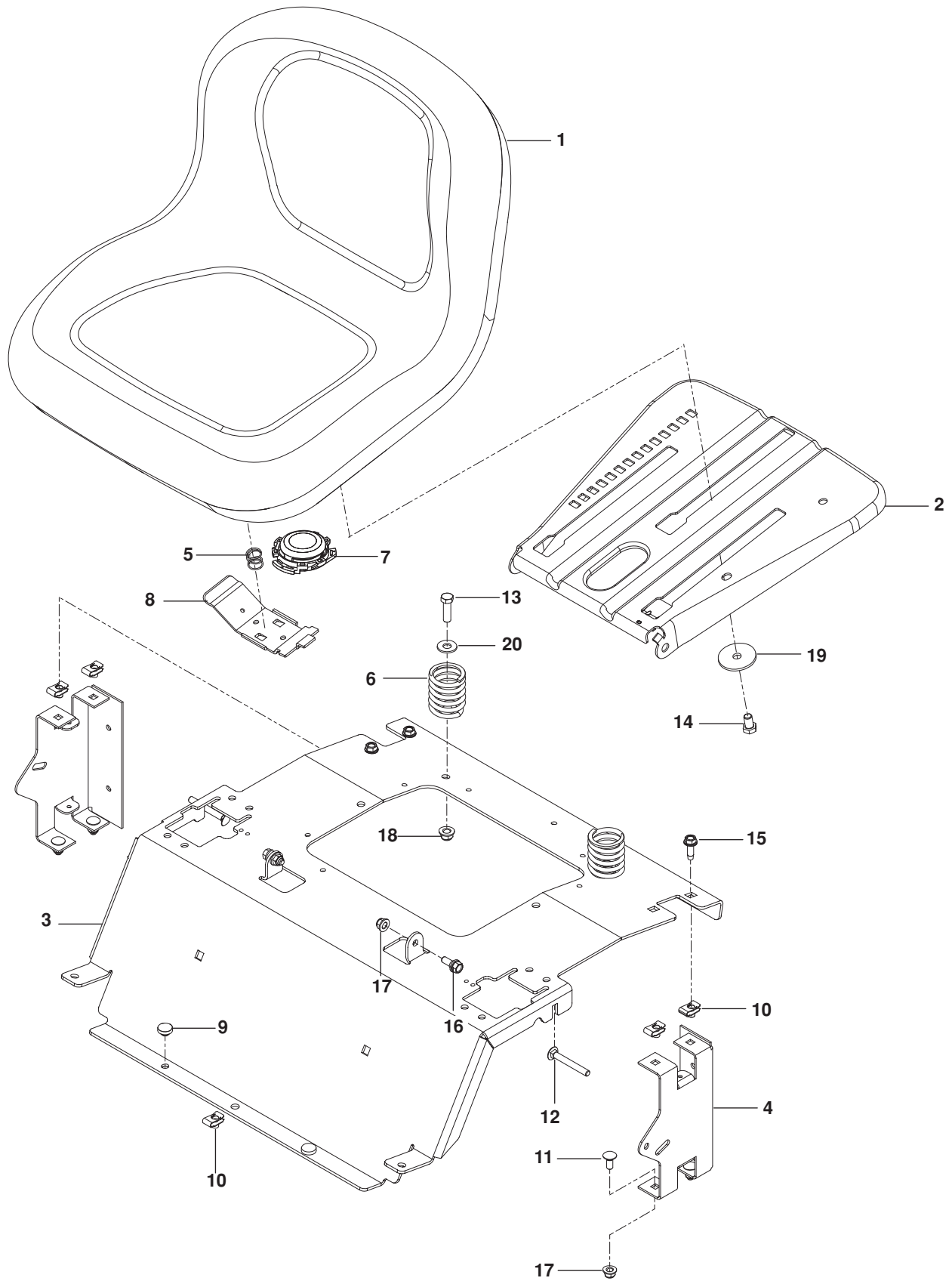
MOWER DECK / CUTTING DECK



MOWER DECK / CUTTING DECK

ITEM	PART NO.	QTY.	DESCRIPTION	ITEM	PART NO.	QTY.	DESCRIPTION
1..	581 071001....	1....	DECK w/ SAFETY DECALS	27..	539 115574....	1....	EYEBOLT $\frac{5}{16}$ x $3\frac{1}{2}$
2..	539 117245....	1....	BELT, DECK	28..	539 976989....	2....	HAIRPIN
3..	532 405380....	2....	BLADE, HI-LIFT	29..	532 195161....	2....	STUD w/ANTI- ROTATE
4..	532 405506....	1....	SHIELD, BELT RH	30..	532 193406....	3....	BOLT $\frac{3}{8}$ -16 x $3\frac{5}{8}$ SHOULDER
5..	532 405507....	1....	SHIELD, BELT LH	31..	539 113621....	2....	BOLT $\frac{3}{8}$ -16 x $\frac{3}{8}$ SHOULDER
6..	532 174493....	2....	STRIPPER, UNIVERSAL	32..	532 193003....	2....	BOLT, WASHER
7..	532 174873....	3....	WHEEL, GAUGE	33..	539 128101....	1....	BOLT $\frac{3}{8}$ -16 x $2\frac{1}{4}$ CARRIAGE
8..	522 629701....	1....	KEEPER, BELT	34..	872 140506....	7....	RHSNB $\frac{5}{16}$ -18 x $\frac{3}{4}$
9..	532 196104....	1....	PULLEY, IDLER	35..	539 991034....	1....	SCREW 10-24 x $\frac{5}{8}$ WSH HD
10..	539 132728....	1....	PULLEY, IDLER	36..	532 173984....	8....	SCREW $\frac{5}{16}$ -18 WSHER HD
11..	539 113962....	2....	PULLEY, DECK	37..	532 137729....	4....	SCREW $\frac{1}{4}$ -20 x $\frac{5}{8}$ THDROLL
12..	539 120920....	1....	SPRING, DECK BELT	38..	532 110452....	1....	PUSHNUT
13..	532 178102....	1....	SPRING, TORSION	39..	874 780740....	1....	HCS $\frac{7}{16}$ -14 x $2\frac{1}{2}$
14..	539 118762....	1....	SPRING	40..	874 780520....	1....	HCS $\frac{5}{16}$ -18 x $1\frac{1}{4}$
15..	532 416405....	1....	COUPLING, CONNECT	41..	539 990585....	2....	NUT $\frac{5}{16}$ -18 HEX WHIZLK
16..	532 415598....	1....	PORT, WASHOUT	42..	539 200282....	3....	NUT $\frac{3}{8}$ -16 HEX JAM NYLOC
17..	532 403149....	1....	BAFFLE, FRONT	43..	532 400234....	2....	NUT $\frac{9}{16}$ TOP CNTRLK
18..	532 403150....	1....	BAFFLE, FRONT RH	44..	539 119124....	1....	NUT $\frac{7}{16}$ -14 HEX NYLOC
19..	532 192557....	1....	BRACKET, DEFLECTOR	45..	873 900600....	3....	NUT $\frac{3}{8}$ -16 FLG LK
20..	532 405357....	1....	SHIELD, DEFLECTOR	46..	539 112899....	3....	NUT $\frac{5}{16}$ -18 HEX FLG NYLOC
21..	532 174356....	2....	CUTTER HOUSING	47..	873 800500....	8....	NUT $\frac{5}{16}$ -18 HEX NYLOC
22..	539 112076....	1....	BUSHING, IDLER	48..	532 187690....	2....	WASHER, SPACER
23..	532 110485....	1....	BEARING	49..	819 132012....	3....	WASHER 12 GA
24..	532 174360....	1....	SHAFT	50..	539 104864....	2....	WASHER $\frac{7}{16}$ FLT
25..	532 131491....	1....	ROD, HINGE	51..	539 109562....	4....	WASHER $\frac{3}{8}$
26..	574 689002....	1....	ARM, IDLER	52..	819 212113....	2....	WASHER $\frac{5}{8}$ SAE FLT

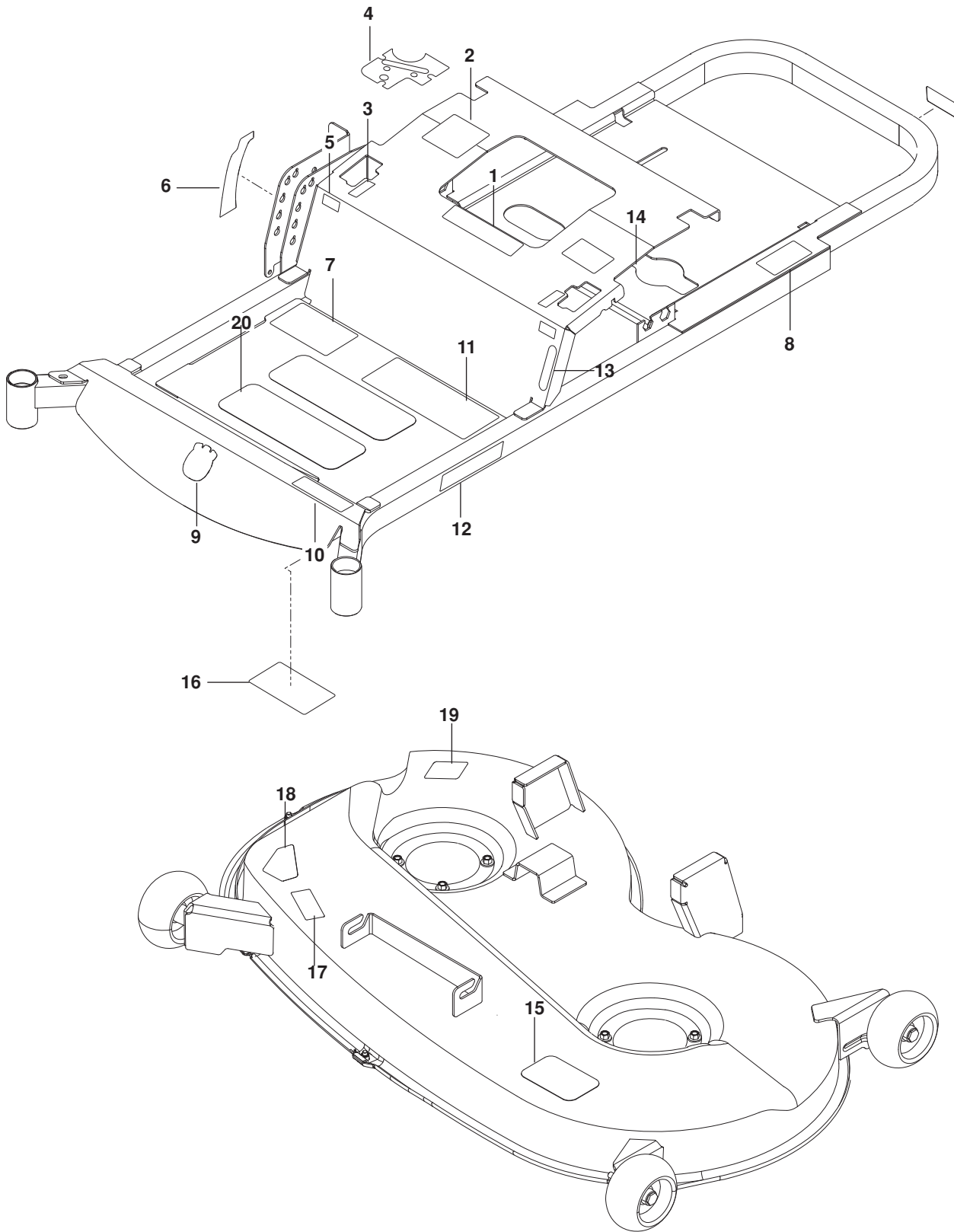
SEAT



SEAT

ITEM	PART NO.	QTY.	DESCRIPTION	ITEM	PART NO.	QTY.	DESCRIPTION
1..	532 439822....	1....	SEAT	11..	872 140506....	4....	RHSNB $\frac{5}{16}$ -18 x $\frac{3}{4}$
2..	532 196977....	1....	PAN, SEAT BLK	12..	510 422701....	2....	RHSNB $\frac{5}{16}$ -18 x $2\frac{1}{2}$
3..	577 260503....	1....	SUPPORT, SEAT, ORG	13..	874 780620....	2....	HCS $\frac{3}{8}$ -16 x $1\frac{1}{4}$
4..	580 308202....	2....	SUPPORT, SEAT RR BLK	14..	847 760612....	1....	HCS $\frac{3}{8}$ -16 x $\frac{3}{4}$
5..	532 198200....	1....	SPRING, LATCH	15..	817 490512....	4....	BOLT $\frac{5}{16}$ -18 x $\frac{3}{4}$ THD FRM
6..	532 124181....	2....	SPRING, SEAT	16..	539 110303....	2....	BOLT $\frac{5}{16}$ -18 SHOULDER
7..	539 132140....	1....	SWITCH, SEAT	17..	539 112899....	8....	NUT $\frac{5}{16}$ -18 HEX FLG NYLOC
8..	532 197661....	1....	HANDLE, SLIDE	18..	521 996501....	2....	NUT $\frac{3}{8}$ -16 HEX FLG NYLOC
9..	539 102587....	2....	GROMMET, BUMPER	19..	539 111897....	1....	WASHER $\frac{3}{8}$ SPECIAL
10..	539 104763....	5....	RETAINER, U TYPE	20..	819 141614....	2....	WASHER $\frac{3}{8}$ STD FLT

DECALS

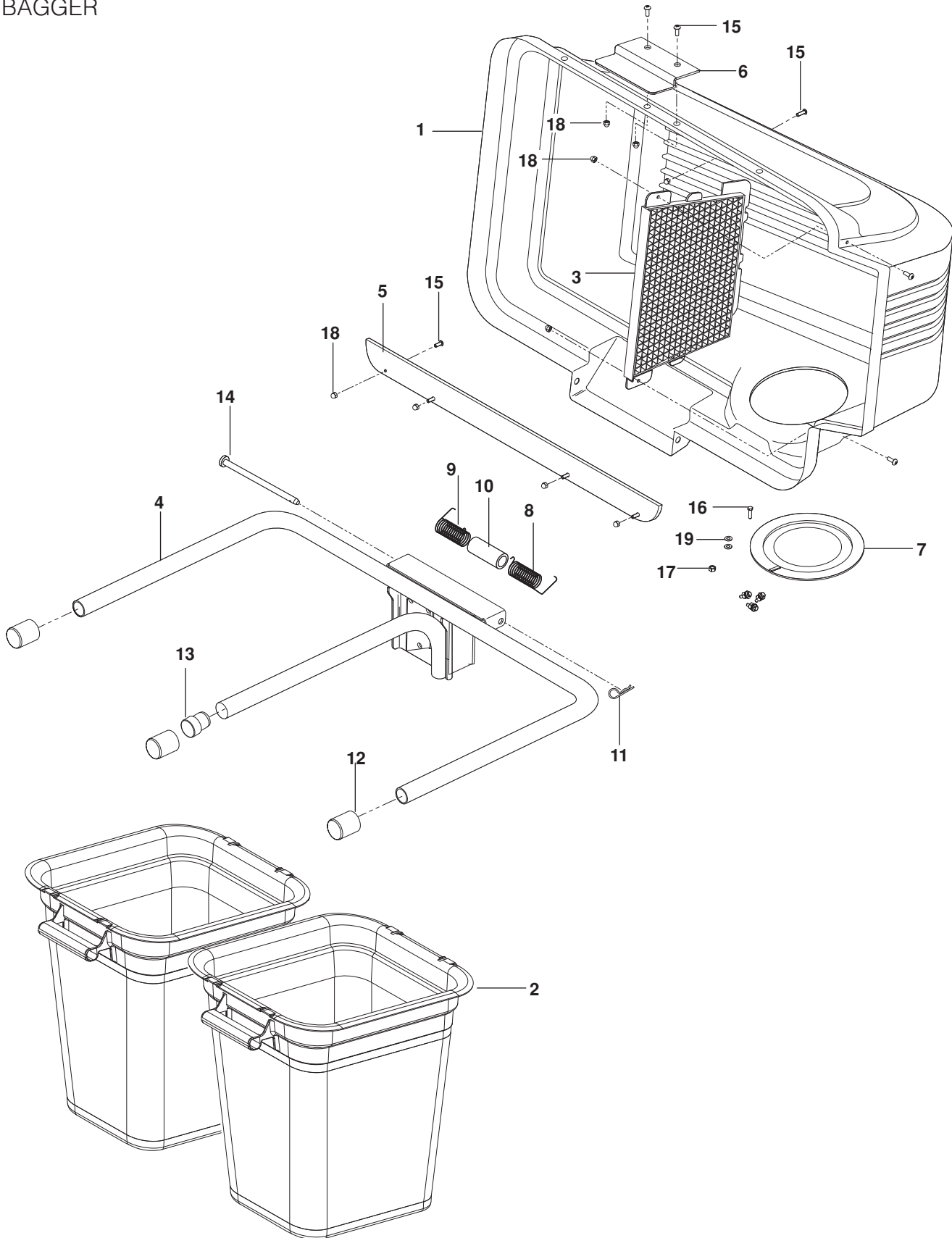


DECALS

ITEM	PART NO.	QTY.	DESCRIPTION	ITEM	PART NO.	QTY.	DESCRIPTION
1..	539 105745....	1....	DECAL, BATTERY WARNING	12..	532 429196....	2....	DECAL, HUSQVARNA
2..	539 110522....	1....	DECAL, RESPONSIBILITIES	13..	539 120006....	1....	DECAL, PARK BRAKE
3..	539 103333....	2....	DECAL, MOTION CONTROL	14..	539 108386....	1....	DECAL, EXIT
4..	576 916702....	1....	DECAL, CONSOLE	15..	510 240201....	1....	DECAL, BELT ROUTING
5..	539 110974....	1....	DECAL, TRACKING	16..	539 109897....	1....	DECAL, SERVICE
6..	576 979101....	1....	DECAL, HEIGHT	17..	539 105746....	1....	DECAL, SEVERING
7..	586 342501....	1....	DECAL, START	18..	539 913010....	1....	DECAL, BLADES
8..	539 108385....	1....	DECAL, DO NOT TOW	19..	581 724401....	1....	DECAL, DISCHARGE
9..	532 428676....	1....	DECAL, CROWN	20..	539 977778....	3....	ABRASIVE PAD
10..	585 712301....	1....	DECAL, RZ46215				
11..	539 109908....	1....	DECAL, SAFETY WARNING				

ACCESSORIES

BAGGER

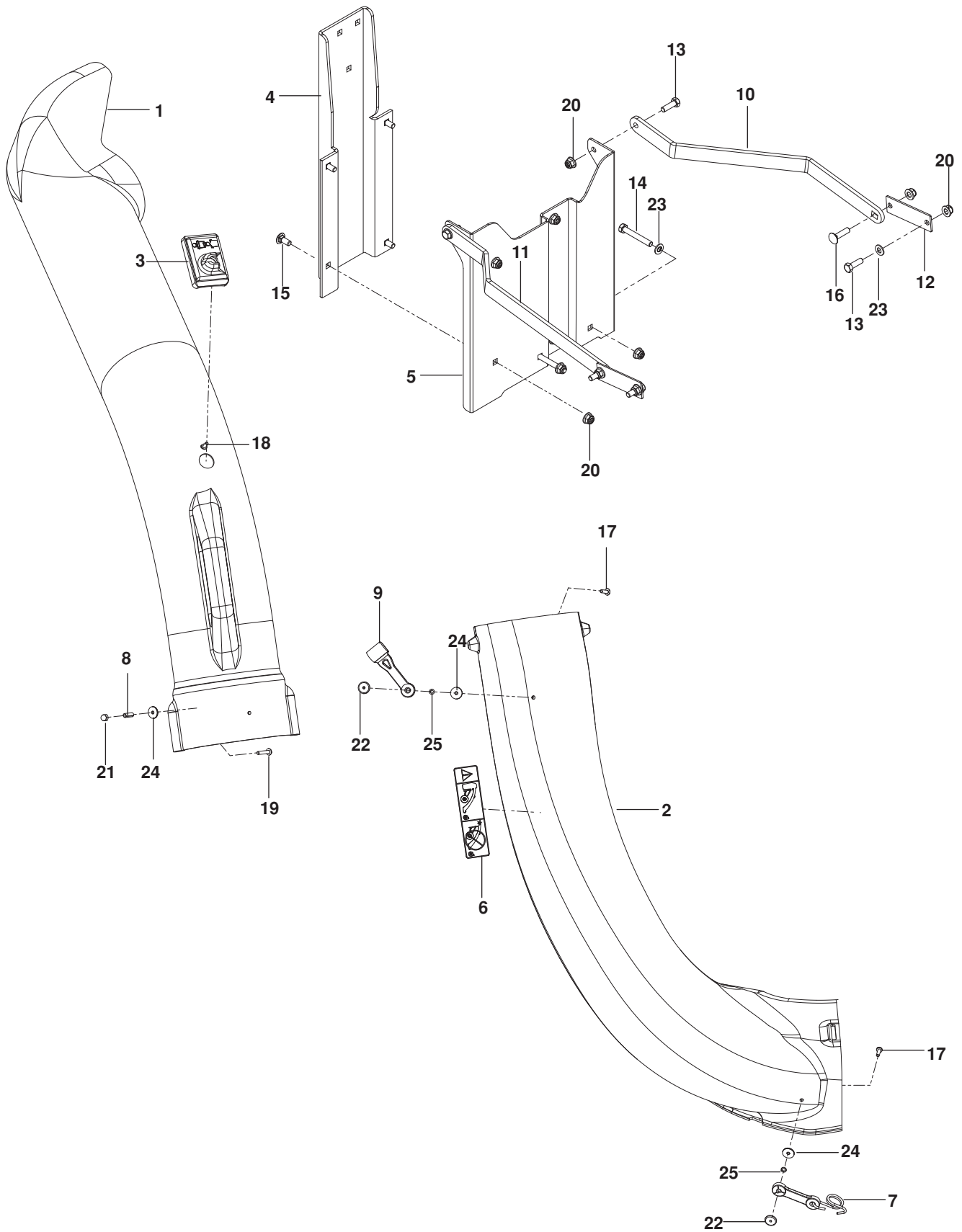


ACCESSORIES

ITEM	PART NO.	QTY.	DESCRIPTION	ITEM	PART NO.	QTY.	DESCRIPTION
1..	539 111139....	1....	COVER ASSY, COMPLETE	11..	539 108096....	1....	HAIRPIN, RETAINER
2..	532 400226....	2....	CONTAINER, SOFT BAG	12..	539 108097....	3....	CAP, TUBING END
3..	532 127533....	1....	SCREEN, COVER	13..	522 801301....	1....	SPACER PLUG
4..	532 179746....	1....	BAGGER, FRAME	14..	532 192786....	1....	PIN, HINGE
5..	532 155042....	1....	STRIP, REINFORCEMENT	15..	539 976952....	9....	SCREW #10-24 x 5/8
6..	532 130895....	1....	LATCH HANDLE, COVER	16..	539 106312....	4....	SCREW #10-24 x 3/4
7..	532 127534....	1....	GASKET	17..	539 976977....	4....	NUT #10-24 HEX NYLOC
8..	532 132796....	1....	SPRING, COVER LH	18..	539 108086....	9....	NUT #10-24 ACORN
9..	532 132983....	1....	SPRING, COVER RH	19..	539 105408....	8....	WASHER #10 FLAT
10..	532 133235....	1....	SPACER, COVER				

ACCESSORIES

CHUTES, MOUNT



ACCESSORIES

ITEM	PART NO.	QTY.	DESCRIPTION	ITEM	PART NO.	QTY.	DESCRIPTION
1..	525 497001....	1....	CHUTE, UPPER	14..	539 976938....	2....	HCS $\frac{5}{16}$ -18 x $2\frac{1}{4}$
2..	532 405455....	1....	CHUTE, LOWER	15..	539 990316....	4....	RHSNB $\frac{5}{16}$ -18 x $\frac{3}{4}$
3..	539 108082....	1....	INDICATOR, BAG DUMP	16..	539 100472....	2....	RHSNB $\frac{5}{16}$ -18 x $1\frac{1}{4}$
4..	522 854702....	1....	BRACKET, HANGER	17..	539 976952....	3....	SCREW #10-24 x $\frac{5}{8}$
5..	522 854602....	1....	BRACKET, COLLECTION	18..	539 108081....	1....	SCREW #10-14 x $\frac{1}{2}$
6..	539 108163....	1....	DECAL, CATCHER	19..	539 108083....	1....	SCREW #10-24 x $1\frac{1}{8}$
7..	539 108194....	2....	LATCH ASSM, CHUTE	20..	539 112899..	12....	NUT $\frac{5}{16}$ -18 HEX FLG NYLOC
8..	539 108085....	1....	SPACER, SPLIT	21..	539 108086....	1....	NUT #10-24 ACORN
9..	539 108088....	1....	LATCH, HOOD	22..	539 108089....	3....	NUT #10-24 WELD PLATED
10..	522 854502....	1....	STRAP, SUPPORT, LT	23..	539 990188....	6....	WASHER $\frac{5}{16}$ SAE FLAT
11..	522 854402....	1....	STRAP, SUPPORT, RT	24..	539 108084....	4....	WASHER $\frac{3}{16}$ x $\frac{3}{4}$ 16 GA
12..	523 112802....	2....	PLATE	25..	539 109552....	3....	WASHER $\frac{3}{16}$ LOCK
13..	539 990209....	4....	HCS $\frac{5}{16}$ -18 x 1				

