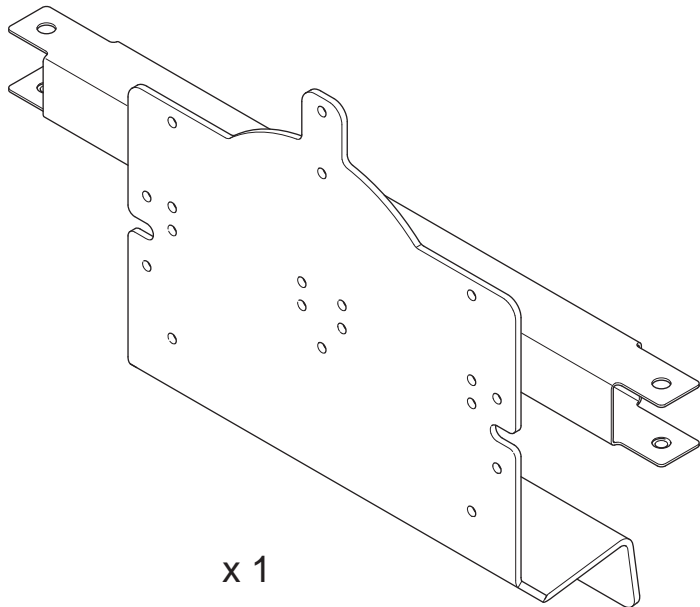




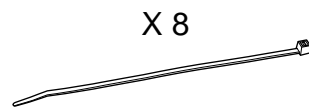
**Assembly Instruction**  
**Road Kit Rear**  
**500-series**



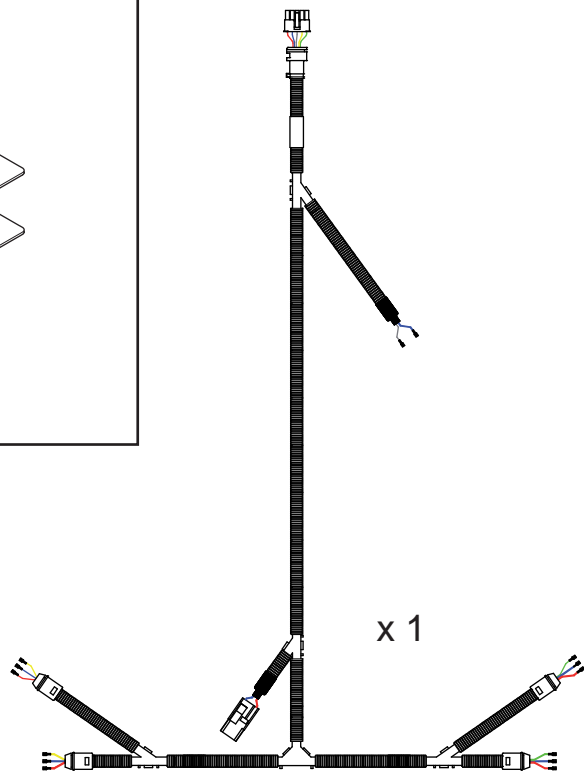
579 38 50-01



x 1

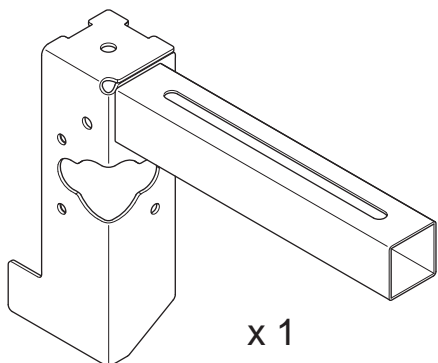
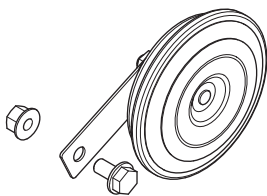


X 8

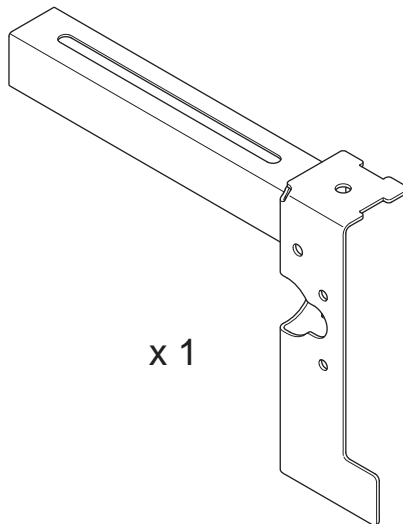


x 1

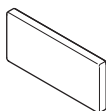
x 1



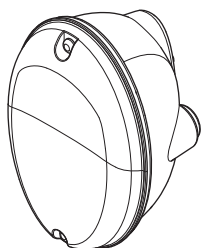
x 1



x 1



x 4



x 2



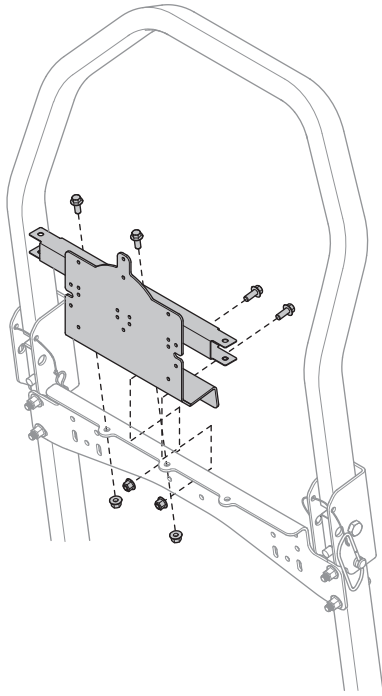
x 2



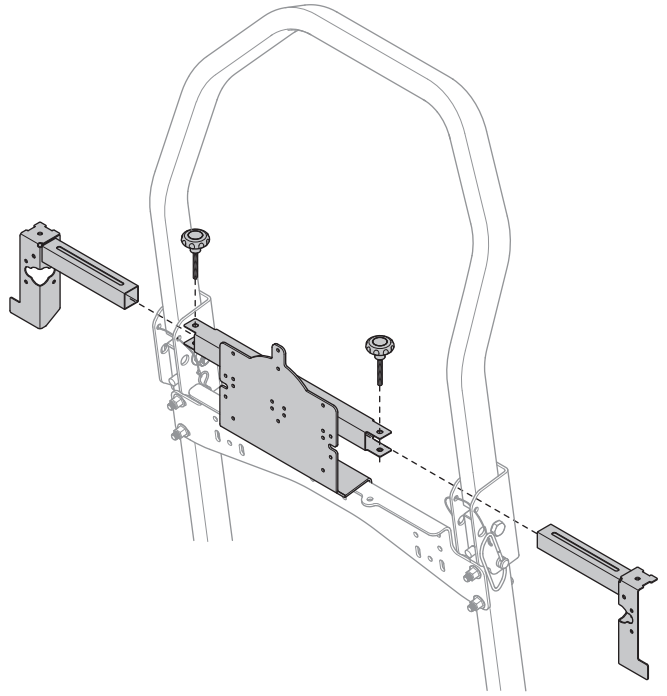
x 4

M10x25

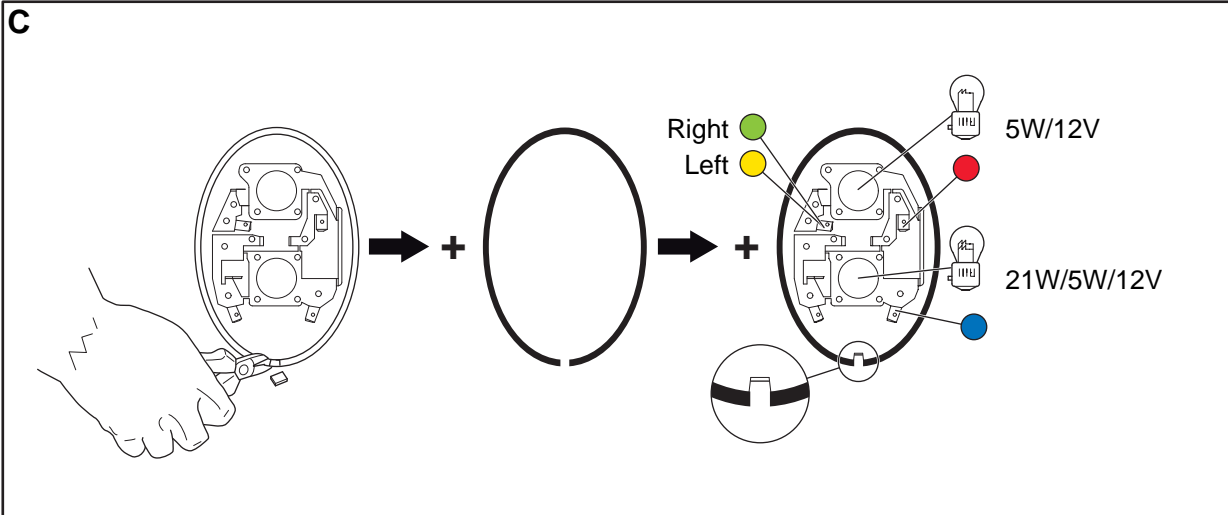
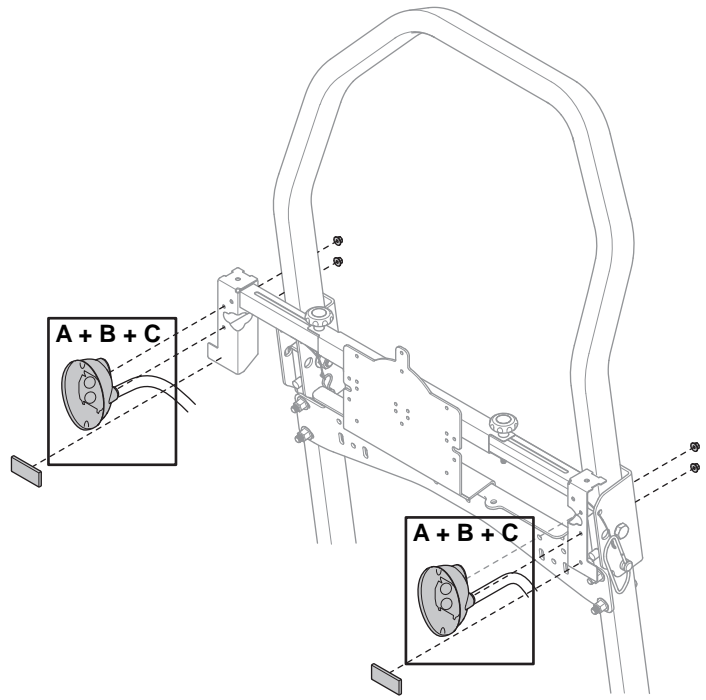
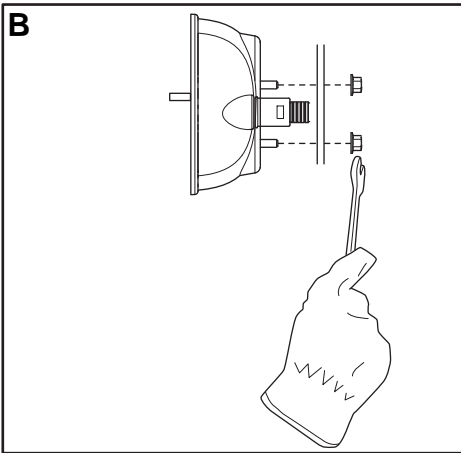
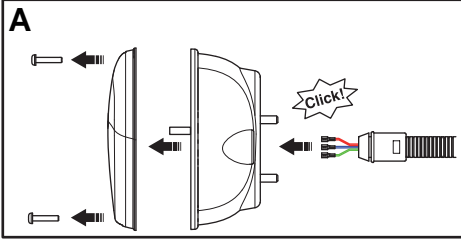
1



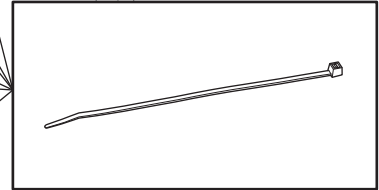
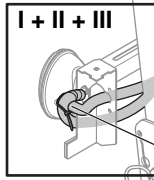
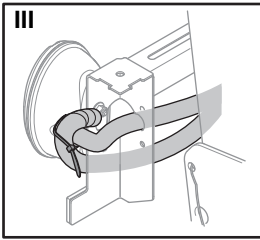
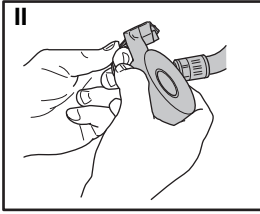
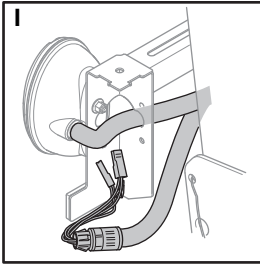
2



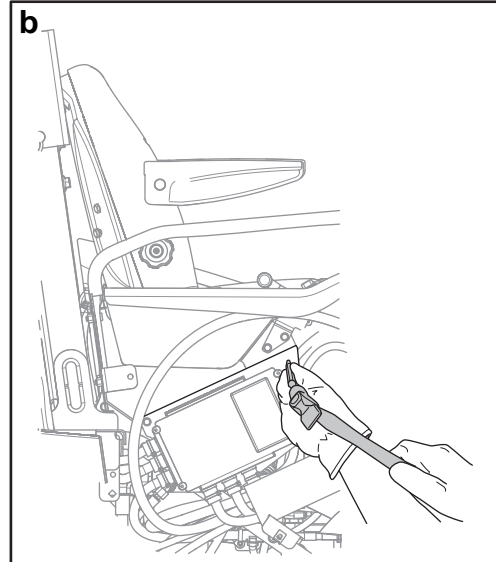
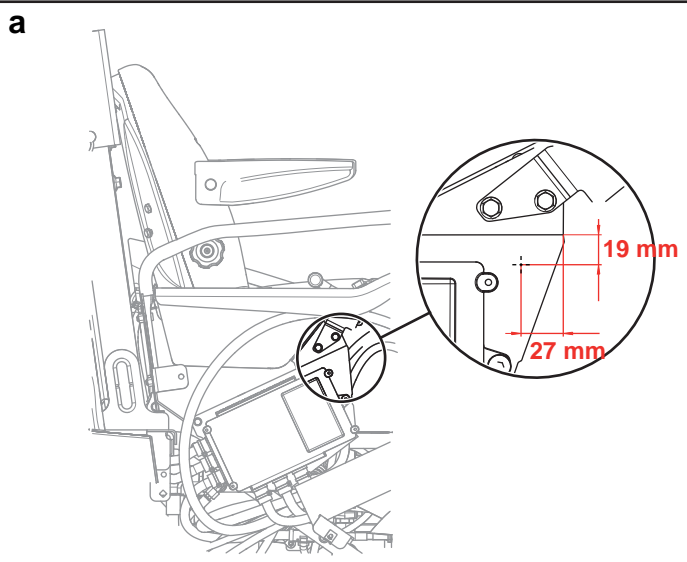
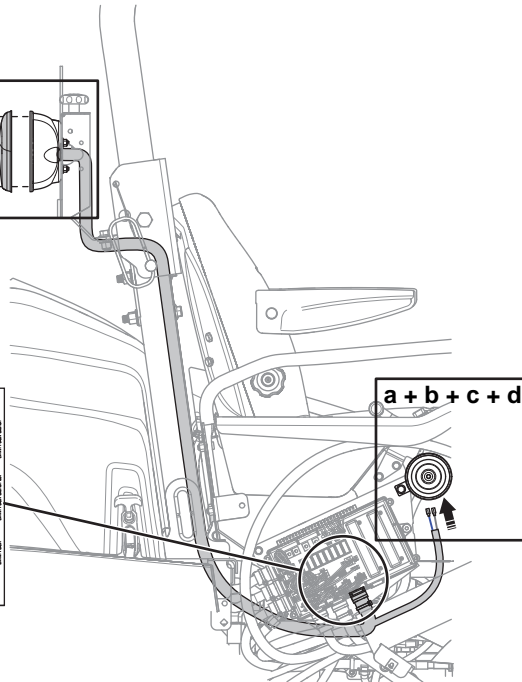
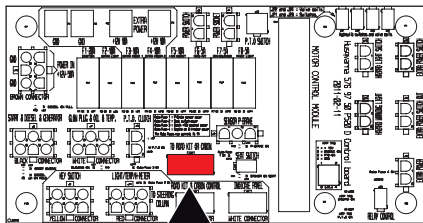
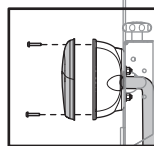
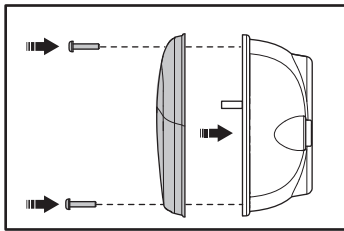
3



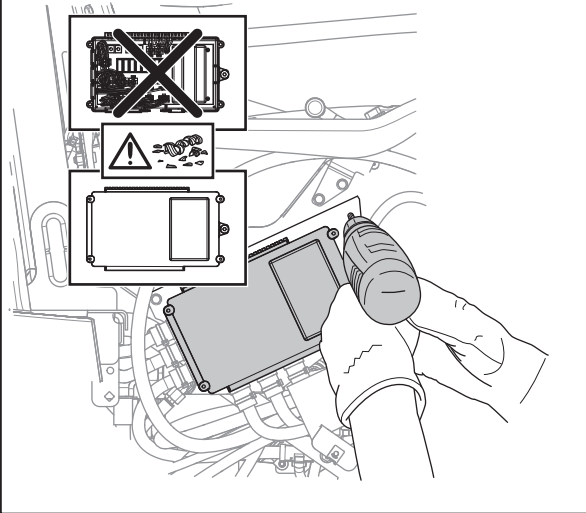
5



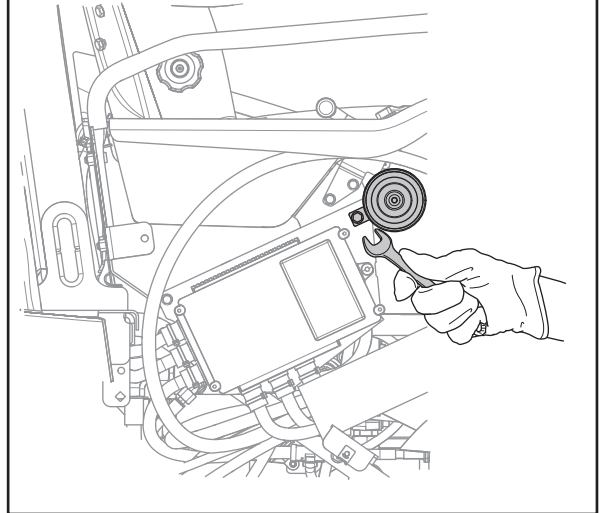
6



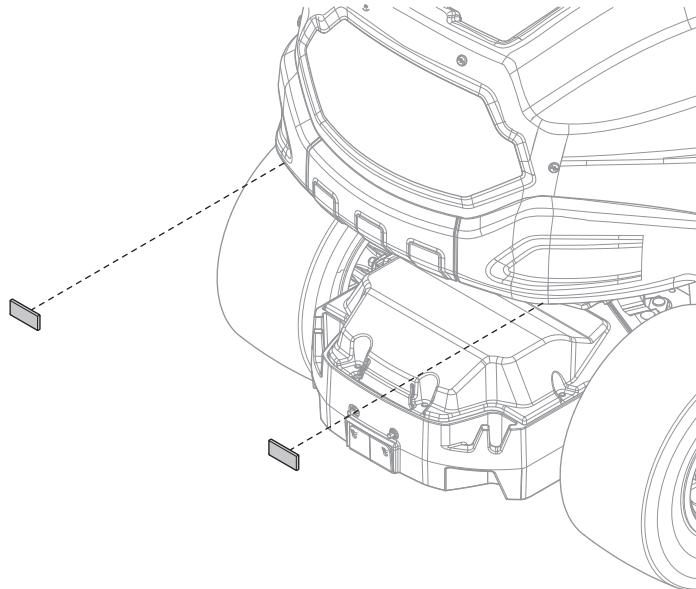
c



d



7



# TEST



OK



NOT OK

=



OK



NOT OK

=

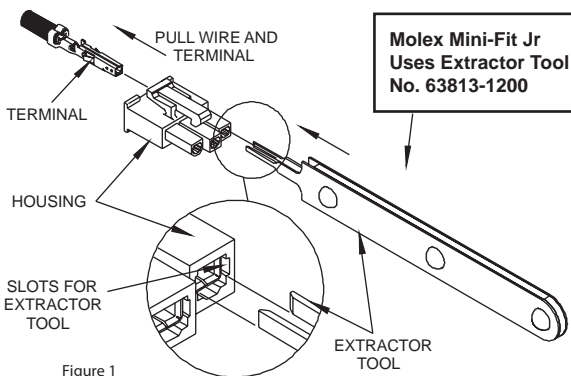
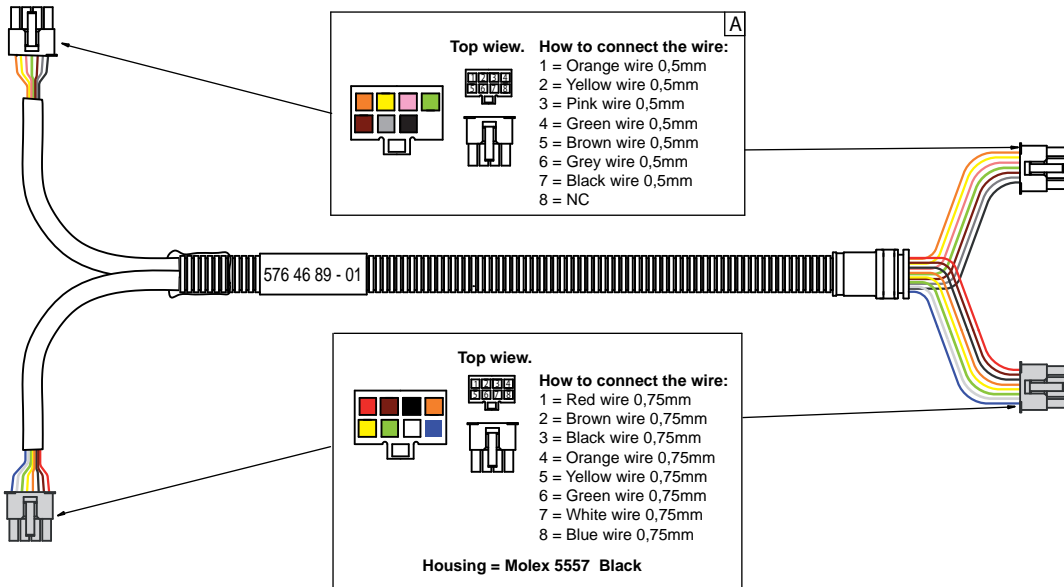
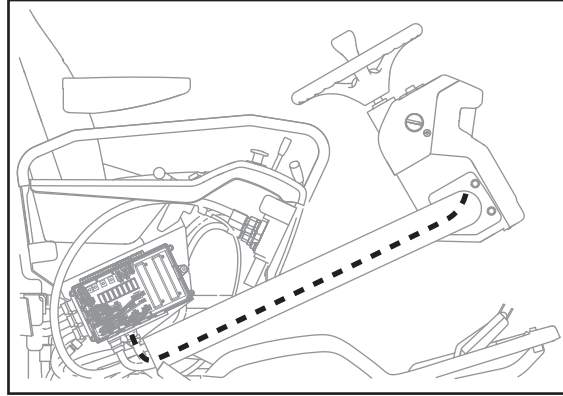
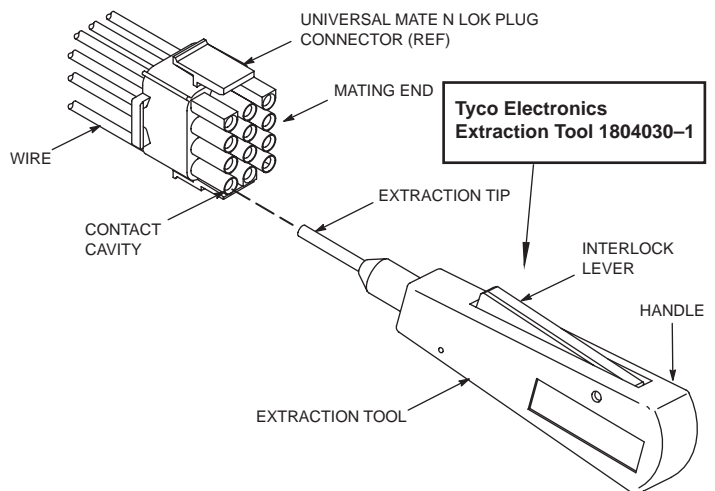


Figure 1







[www.husqvarna.com](http://www.husqvarna.com)

**579 38 50-01**

**2011-10-06**