

Operator's manual (EPA)
Manuel d'utilisation (EPA)
Manual de instrucciones (EPA)

235 **240**



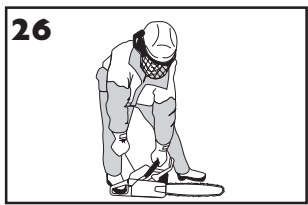
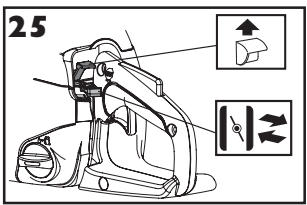
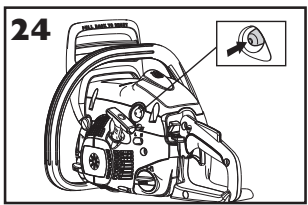
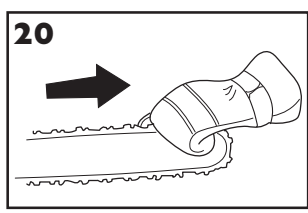
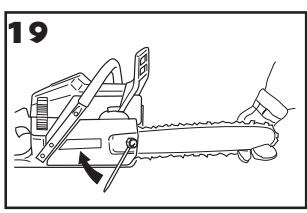
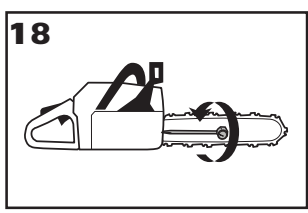
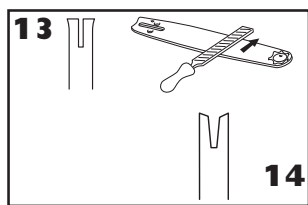
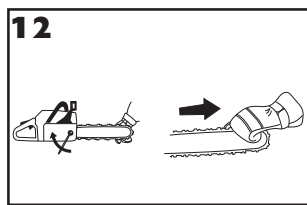
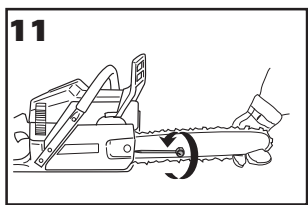
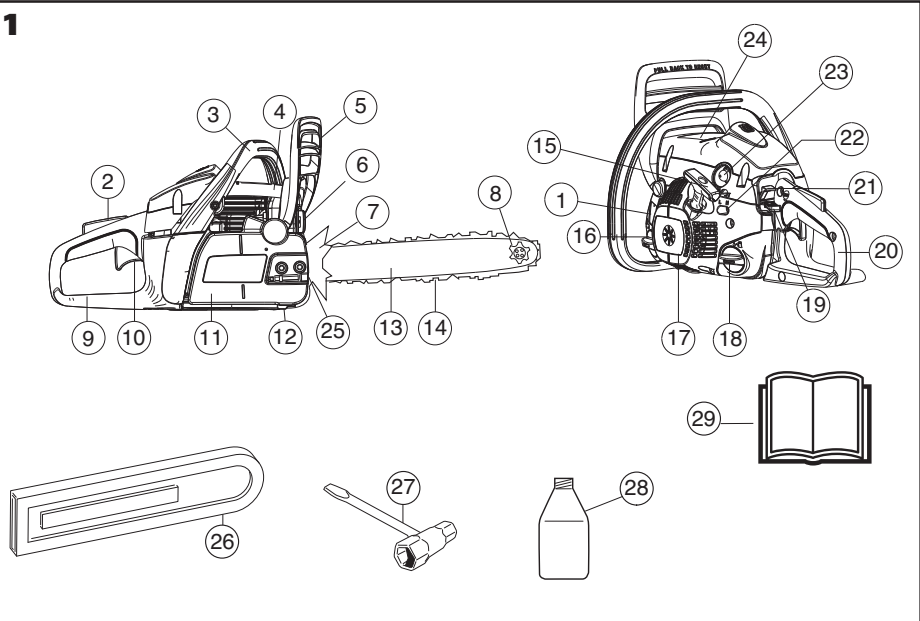
Please read the operator's manual carefully and make sure you understand the instructions before using the machine.

Lire attentivement et bien assimiler le manuel d'utilisation avant d'utiliser la machine.

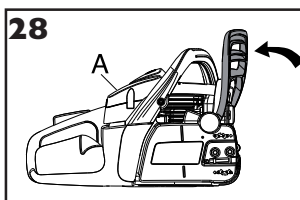
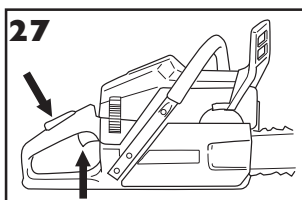
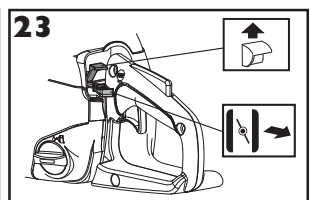
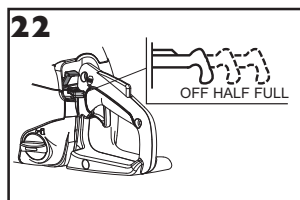
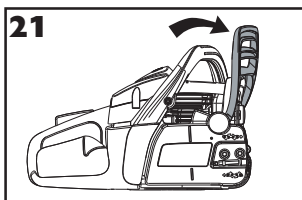
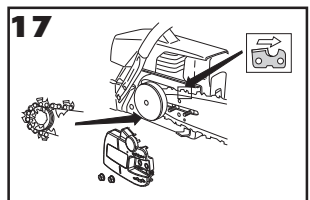
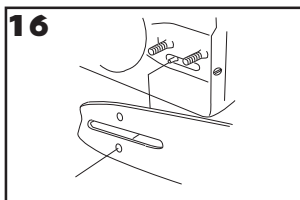
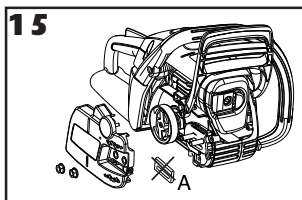
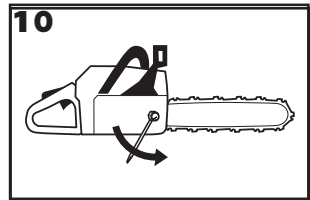
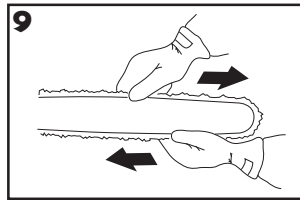
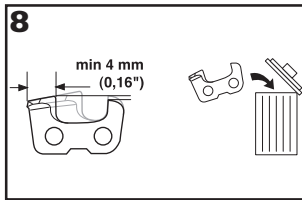
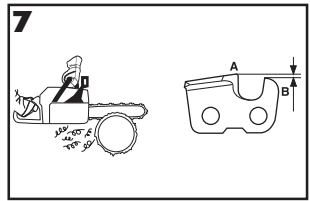
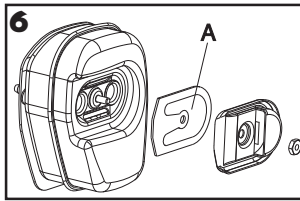
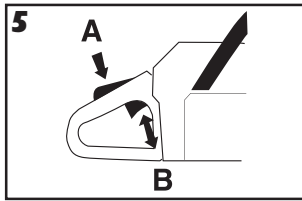
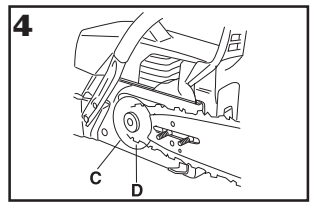
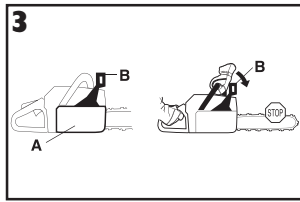
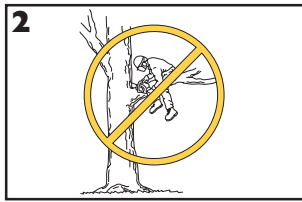
Lea detenidamente el manual de instrucciones y asegúrese de entender su contenido antes de utilizar la máquina.

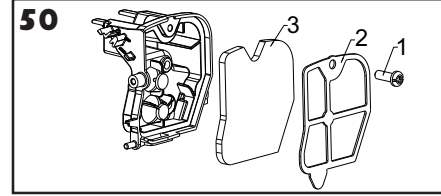
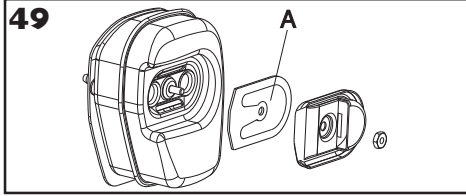
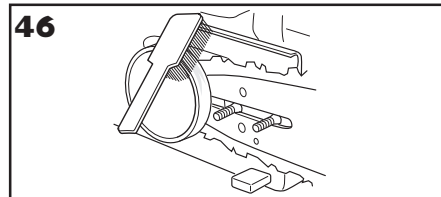
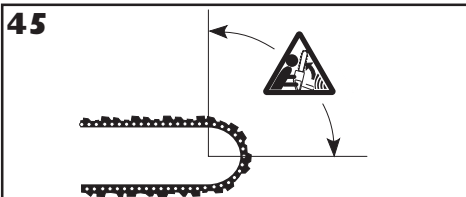
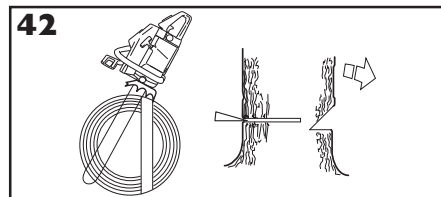
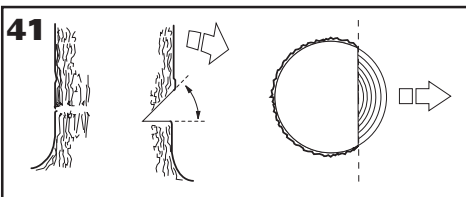
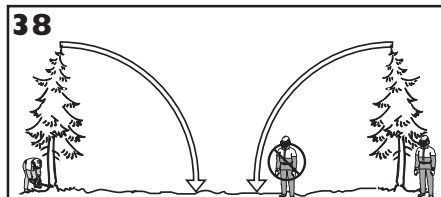
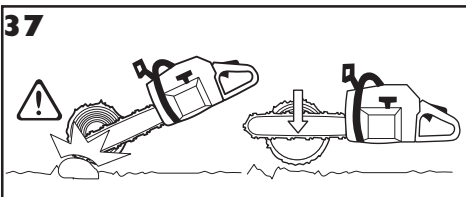
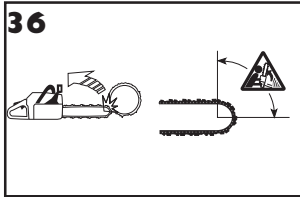
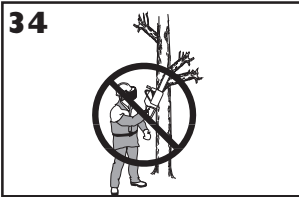
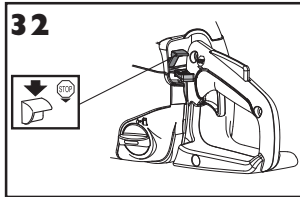
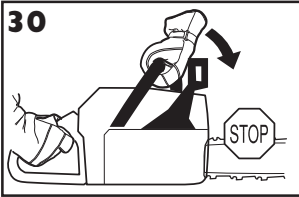
English (6-26)
French (27-48)
Spanish (49-69)

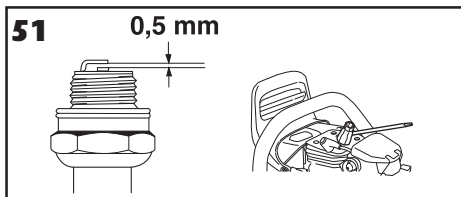
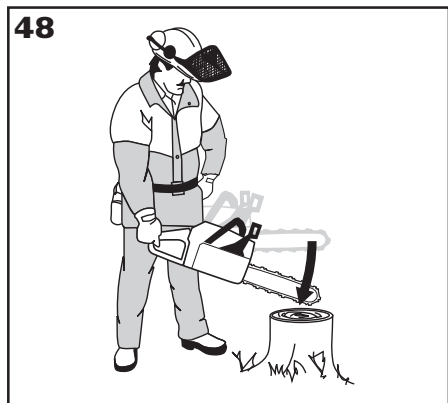
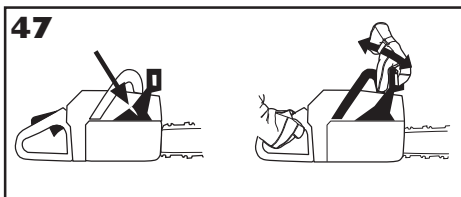
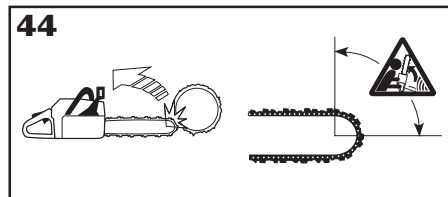
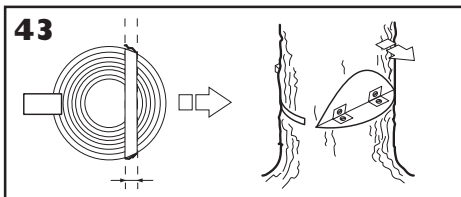
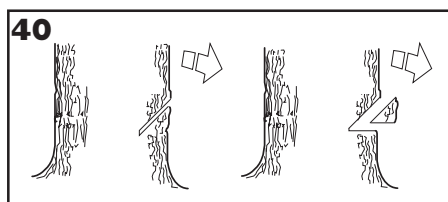
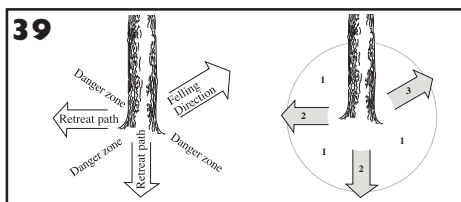
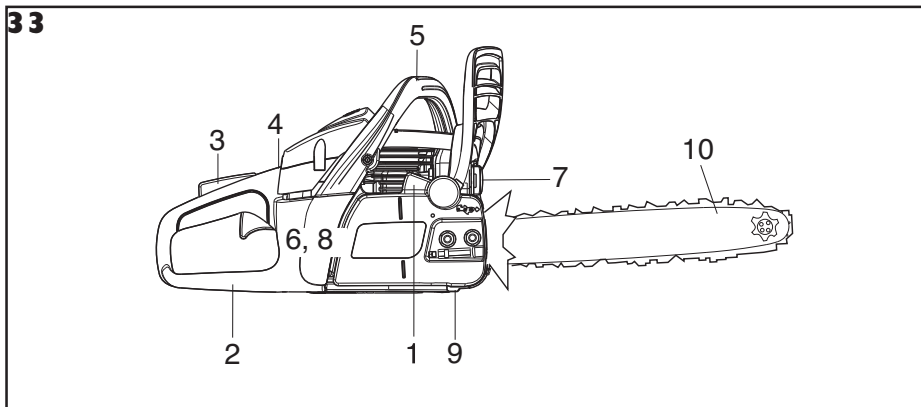
1



⚠ WARNING
 The engine exhaust from this product contains chemicals known to the State of California to cause cancer, birth defects or other reproductive harm.







INTRODUCTION

Dear customer!

Congratulations on your choice to buy a Husqvarna product! Husqvarna is based on a tradition that dates back to 1689, when the Swedish King Karl XI ordered the construction of a factory on the banks of the Husqvarna River, for production of muskets. The location was logical, since water power was harnessed from the Husqvarna River to create the water-powered plant. During over 300 years of continuous operation, the Husqvarna factory has produced a lot of different products, from wood stoves to modern kitchen appliances, sewing machines, bicycles, motorcycles etc. In 1956, the first motor driven lawn mowers appeared, followed by chain saws in 1959, and it is within this area Husqvarna is working today.

Today Husqvarna is one of the leading manufacturers in the world of forest and garden products, with quality as our highest priority. We develop, manufacture and market high quality motor driven products for forestry and gardening as well as for building and construction industry.

Your purchase gives you access to professional help with repairs and service whenever this may be necessary. If the retailer who sells your machine is not one of our authorized dealers, ask for the address of your nearest servicing dealer.

It is our wish that you will be satisfied with your product and that it will be your companion for a long time. Think of this operator's manual as a valuable document. By following its' content (using, service, maintenance etc) the life span and the second-hand value of the machine can be extended. If you ever lend or sell this machine, make sure that the borrower or buyer gets the operator's manual, so they will also know how to properly maintain and use it.

Thank you for using a Husqvarna product.

Husqvarna AB has a policy of continuous product development and therefore reserves the right to modify the design and appearance of products without prior notice.

For customer assistance, contact us at our website:
www.usa.husqvarna.com

Symbols on the machine:

WARNING! Chain saws can be dangerous! Careless or improper use can result in serious or fatal injury to the operator or others.



Please read the operator's manual carefully and make sure you understand the instructions before using the machine.



Always wear:

- Approved protective helmet
- Approved hearing protection
- Protective goggles or a visor



Both of the operator's hands must be used to operate the chain saw.



Never operate a chain saw holding it with one hand only.



Contact of the guide bar tip with any object must be avoided.



WARNING! Tip contact may cause the guide bar to move suddenly upward and backward (so-called kickback), which may cause serious injury.



Measured maximum kickback value without chain brake for the bar and chain combination on the label.



Other symbols/decals on the machine refer to special certification requirements for certain markets.

You will find the following labels on your chain saw:



The Emissions Compliance Period referred to on the Emission Compliance label indicates the number of operating hours for which the engine has been shown to meet Federal emissions requirements. Category C = 50 hours, B = 125 hours, and A = 300 hours.

Maintenance, replacement, or repair of the emission control devices and system may be performed by any nonroad engine repair establishment or individual.

INTRODUCTION

What is what on the chain saw? (1)

- 1 Product and serial number plate
- 2 Throttle lockout (Prevents accidental operation of throttle control.)
- 3 Front handle
- 4 Cylinder cover
- 5 Front hand guard
- 6 Muffler
- 7 Bumper spike
- 8 Bar tip sprocket
- 9 Rear handle with right hand guard
- 10 Throttle trigger
- 11 Clutch cover
- 12 Chain catcher
- 13 Guide bar
- 14 Saw chain
- 15 Starter handle
- 16 Chain oil tank
- 17 Starter
- 18 Fuel tank
- 19 Choke control/Start throttle lock
- 20 Rear handle
- 21 Stop switch (Ignition on/off switch.)
- 22 Adjuster screws carburetor
- 23 Air purge
- 24 Information and warning decal
- 25 Chain tensioning screw
- 26 Guide bar cover
- 27 Combination spanner
- 28 Two-stroke oil
- 29 Operator's manual (EPA)

Contents

INTRODUCTION

Dear customer!	6
Symbols on the machine:	6
What is what on the chain saw?	7

CONTENTS

Contents	7
----------------	---

GENERAL SAFETY PRECAUTIONS

Before using a new chain saw	8
Important	8
Always use common sense	9
Personal protective equipment	9
Machine's safety equipment	9
Cutting equipment	10

PASSEMBLY

Fitting the bar and chain	13
---------------------------------	----

FUEL HANDLING

Fuel	14
Fueling	14
Fuel safety	14

STARTING AND STOPPING

Starting and stopping	15
-----------------------------	----

WORKING TECHNIQUES

Before use:	16
General working instructions	16
How to avoid kickback	19

MAINTENANCE

General	19
Carburetor adjustment	19
Checking, maintaining and servicing chain saw safety equipment	19
Muffler	20
Air filter	20
Spark plug	20
Maintenance schedule	21

TECHNICAL DATA

Technical data	22
----------------------	----

FEDERAL EMISSION CONTROL WARRANTY STATEMENT

YOUR WARRANTY RIGHTS AND OBLIGATIONS	24
---	----

AMERICAN STANDARD SAFETY PRECAUTIONS

Safety precautions for chain saw users	26
--	----

GENERAL SAFETY PRECAUTIONS

Before using a new chain saw

- Please read this manual carefully.
- (1) - (51) refer to figures on p. 2-5.
- Check that the cutting equipment is correctly fitted and adjusted. See instructions under the heading Assembly.
- Refuel and start the chain saw. See the instructions under the headings Fuel Handling and Starting and Stopping.
- Do not use the chain saw until sufficient chain oil has reached the chain. See instructions under the heading Lubricating cutting equipment.
- Long-term exposure to noise can result in permanent hearing impairment. So always use approved hearing protection.



WARNING! Under no circumstances may the design of the machine be modified without the permission of the manufacturer. Always use genuine accessories. Non-authorized modifications and/or accessories can result in serious personal injury or the death of the operator or others. Your warranty may not cover damage or liability caused by the use of non-authorized accessories or replacement parts.



WARNING! A chain saw is a dangerous tool if used carelessly or incorrectly and can cause serious, even fatal injuries. It is very important that you read and understand the contents of this operator's manual.



WARNING! The inside of the muffler contain chemicals that may be carcinogenic. Avoid contact with these elements in the event of a damaged muffler.



WARNING! Long term inhalation of the engine's exhaust fumes, chain oil mist and dust from sawdust can represent a health risk.



WARNING! The ignition system of this machine produces an electromagnetic field during operation. This field may under some circumstances interfere with pacemakers. To reduce the risk of serious or fatal injury, we recommend persons with pacemakers to consult their physician and the pacemaker manufacturer before operating this machine.

For Canada:



WARNING! When using a chain saw, a fire extinguisher should be available.



WARNING! Keep handles dry, clean and free of oil.



WARNING! Beware of carbon monoxide poisoning. Operate the chainsaw in well ventilated areas only.



WARNING! Do not attempt a pruning or limbing operation in a standing tree unless specifically trained to do so.

Important

IMPORTANT!

The machine is only designed for cutting wood.

You should only use the saw with the bar and chain combinations we recommend in the chapter Technical data.

Never use the machine if you are fatigued, while under the influence of alcohol or drugs, medication or anything that could affect your vision, alertness, coordination or judgement.

Wear personal protective equipment. See instructions under the heading Personal protective equipment.

Do not modify this product or use it if it appears to have been modified by others.

Never use a machine that is faulty. Carry out the checks, maintenance and service instructions described in this manual. Some maintenance and service measures must be carried out by trained and qualified specialists. See instructions under the heading Maintenance.

Never use any accessories other than those recommended in this manual. See instructions under the headings Cutting equipment and Technical data.

CAUTION! Always wear protective glasses or a face visor to reduce the risk of injury from thrown objects. A chain saw is capable of throwing objects, such as wood chips, small pieces of wood, etc. at great force. This can result in serious injury, especially to the eyes.



WARNING! Running an engine in a confined or badly ventilated area can result in death due to asphyxiation or carbon monoxide poisoning.



WARNING! Faulty cutting equipment or the wrong combination of bar and saw chain increases the risk of kickback! Only use the bar/saw chain combinations we recommend, and follow the filing instructions. See instructions under the heading Technical data.

GENERAL SAFETY PRECAUTIONS

Always use common sense (2)

It is not possible to cover every conceivable situation you can face when using a chain saw. Always exercise care and use your common sense. Avoid all situations which you consider to be beyond your capability. If you still feel uncertain about operating procedures after reading these instructions, you should consult an expert before continuing. Do not hesitate to contact your dealer or us if you have any questions about the use of the chain saw. We will willingly be of service and provide you with advice as well as help you to use your chain saw both efficiently and safely. Attend a training course in chain saw usage if possible. Your dealer, forestry school or your library can provide information about which training materials and courses are available. Work is constantly in progress to improve the design and technology - improvements that increase your safety and efficiency. Visit your dealer regularly to see whether you can benefit from new features that have been introduced.

Personal protective equipment



WARNING! Most chain saw accidents happen when the chain touches the operator. You must use approved personal protective equipment whenever you use the machine. Personal protective equipment cannot eliminate the risk of injury but it will reduce the degree of injury if an accident does happen. Ask your dealer for help in choosing the right equipment.

- Approved protective helmet
 - Hearing protection
 - Protective goggles or a visor
 - Gloves with saw protection
 - Trousers with saw protection
 - Boots with saw protection, steel toe-cap and non-slip sole
 - Always have a first aid kit nearby.
 - Fire Extinguisher and Shovel
- Generally clothes should be close-fitting without restricting your freedom of movement.

IMPORTANT! Sparks can come from the muffler, the bar and chain or other sources. Always have fire extinguishing tools available if you should need them. Help prevent forest fires.

Machine's safety equipment

In this section the machine's safety features and their function are explained. For inspection and maintenance see instructions under the heading Checking, maintaining and servicing chain saw safety equipment. See instructions under the heading, What is what?, to find where these parts are located on your machine.

The life span of the machine can be reduced and the risk of accidents can increase if machine maintenance is not carried out correctly and if service and/or repairs are not

carried out professionally. If you need further information please contact your nearest servicing dealer.



WARNING! Never use a machine with defective safety components. Safety equipment must be inspected and maintained. See instructions under the heading Checking, maintaining and servicing chain saw safety equipment. If your machine does not pass all the checks, take the saw to a servicing dealer for repair.

Chain brake and front hand guard

Your chain saw is equipped with a chain brake that is designed to stop the chain if you get a kickback. The chain brake reduces the risk of accidents, but only you can prevent them.

Take care when using your saw and make sure the kickback zone of the bar never touches any object.

- The chain brake (A) can either be activated manually (by your left hand) or automatically by the inertia release mechanism. (3)
 - The brake is applied when the front hand guard (B) is pushed forwards. (3)
 - This movement activates a spring-loaded mechanism that tightens the brake band (C) around the engine drive system (D) (clutch drum). (4)
 - The front hand guard is not designed solely to activate the chain brake. Another important feature is that it reduces the risk of your left hand hitting the chain if you lose grip of the front handle.
 - The chain brake must be engaged when the chain saw is started to prevent the saw chain from rotating.
 - Use the chain brake as a "parking brake" when starting and when moving over short distances, to reduce the risk of moving chain accidentally hitting your leg or anyone or anything close by.
 - To release the chain brake pull the front hand guard backwards, towards the front handle.
 - Kickback can be very sudden and violent. Most kickbacks are minor and do not always activate the chain brake. If this happens you should hold the chain saw firmly and not let go.
 - The way the chain brake is activated, either manually or automatically by the inertia release mechanism, depends on the force of the kickback and the position of the chain saw in relation to the object that the kickback zone of the bar strikes.
- If you get a violent kickback while the kickback zone of the bar is farthest away from you the chain brake is designed to be activated by the inertia in the kickback direction.
- If the kickback is less violent or the kickback zone of the bar is closer to you the chain brake is designed to be activated manually by the movement of your left hand.
- In the felling position the left hand is in a position that makes manual activation of the chain brake impossible. With this type of grip, that is when the left hand is placed so that it cannot affect the movement of the front hand guard, the chain brake can only be activated by the inertia action.

GENERAL SAFETY PRECAUTIONS

Will my hand always activate the chain brake during a kickback?

No. It takes a certain force to move the hand guard forward. If your hand only lightly touches the front guard or slips over it, the force may not be enough to trigger the chain brake. You should also maintain a firm grip of the chain saw handles while working. If you do and experience a kickback, your hand may never leave the front handle and will not activate the chain brake, or the chain brake will only activate after the saw has swung around a considerable distance. In such instances, the chain brake might not have enough time to stop the saw chain before it touches you. There are also certain positions in which your hand cannot reach the front hand guard to activate the chain brake; for example, when the saw chain is held in felling position.

Will my inertia activated chain brake always activate during kickback in the event of a kickback?

No. First your brake must be in working order. Testing the brake is simple, see instructions under the heading Checking, maintaining and servicing chain saw safety equipment. We recommend you do before you begin each work session. Second the kickback must be strong enough to activate the chain brake. If the chain brake is too sensitive it would activate all the time which would be a nuisance.

Will my chain brake always protect me from injury in the event of a kickback?

No. First, the chain brake must be in working order to provide the intended protection. Second, it must be activated during the kickback as described above to stop the saw chain. Third, the chain brake may be activated but if the bar is too close to you the brake might not have enough time to slow down and stop the chain before the chain saw hits you.

Only you and proper working technique can eliminate kickback and its danger.

Throttle lockout

The throttle lockout is designed to prevent accidental operation of the throttle control. When you press the lock (A) (i.e. when you grasp the handle) it releases the throttle control (B). When you release the handle the throttle control and the throttle lockout both move back to their original positions. This arrangement means that the throttle control is automatically locked at the idle setting. (5)

Chain catcher

The chain catcher is designed to catch the chain if it snaps or jumps off. This should not happen if the chain is properly tensioned (see instructions under the heading Assembly) and if the bar and chain are properly serviced and maintained (see instructions under the heading General working instructions).

Right hand guard

Apart from protecting your hand if the chain jumps or snaps, the right hand guard stops branches and twigs from interfering with your grip on the rear handle.

Vibration damping system

Your machine is equipped with a vibration damping system that is designed to reduce vibration and make operation easier.

The machine's vibration damping system reduces the transfer of vibration between the engine unit/cutting equipment and the machine's handle unit. The body of the chain saw, including the cutting equipment, is insulated from the handles by vibration damping units.

Cutting hardwoods (most broadleaf trees) creates more vibration than cutting softwoods (most conifers). Cutting with cutting equipment that is blunt or faulty (wrong type or badly sharpened) will increase the vibration level.



WARNING! Overexposure to vibration can lead to circulatory damage or nerve damage in people who have impaired circulation. Contact your doctor if you experience symptoms of overexposure to vibration. Such symptoms include numbness, loss of feeling, tingling, pricking, pain, loss of strength, changes in skin colour or condition. These symptoms normally appear in the fingers, hands or wrists. These symptoms may be increased in cold temperatures.

Stop switch

Use the stop switch to switch off the engine.

Muffler

The muffler is designed to reduce noise levels and to direct exhaust fumes away from the user.



WARNING! The exhaust fumes from the engine are hot and may contain sparks which can start a fire. Never start the machine indoors or near combustible material!

In areas with a hot, dry climate there is a high risk of fires. These areas are sometimes subject to government rules requiring among other things the muffler must be equipped with an approved type of spark arrestor screen (A). (6)



CAUTION! The muffler gets very hot during and after use. This also applies during idling. Be aware of the fire hazard, especially when working near flammable substances and/or vapours.



WARNING! Never use a saw without a muffler, or with a damaged muffler. A damaged muffler may substantially increase the noise level and the fire hazard. Keep fire fighting equipment handy. If a spark arrestor screen is required in your area, never use the saw without or with a broken spark arrestor screen.

Cutting equipment

This section describes how to choose and maintain your cutting equipment in order to:

- Reduce the risk of kickback.
- Reduce the risk of the saw chain breaking or jumping off the bar.
- Obtain optimal cutting performance.
- Extend the life of cutting equipment.
- Avoid increasing vibration levels.

GENERAL SAFETY PRECAUTIONS

General rules

- **Only use cutting equipment recommended by us!** See instructions under the heading Technical data.
- **Keep the chain's cutting teeth properly sharpened! Follow our instructions and use the recommended file gauge.** A damaged or badly sharpened chain increases the risk of accidents.
- **Maintain the correct depth gauge setting! Follow our instructions and use the recommended depth gauge clearance.** Too large a clearance increases the risk of kickback.
- **Keep the chain properly tensioned!** If the chain is slack it is more likely to jump off and lead to increased wear on the bar, chain and drive sprocket.
- **Keep cutting equipment well lubricated and properly maintained!** A poorly lubricated chain is more likely to break and lead to increased wear on the bar, chain and drive sprocket.

Cutting equipment designed to reduce kickback



WARNING! Faulty cutting equipment or the wrong combination of bar and saw chain increases the risk of kickback! Only use the bar/saw chain combinations we recommend, and follow the filing instructions. See instructions under the heading Technical data.

The only way to avoid kickback is to make sure that the kickback zone of the bar never touches anything. By using cutting equipment with "built-in" kickback reduction and keeping the chain sharp and well-maintained you can reduce the effects of kickback.

Guide bar

The smaller the tip radius the lower the chance of kickback.

Saw chain

A chain is made up of a number of links, which are available in standard and low-kickback versions.

IMPORTANT! No saw chain design eliminates the danger of kickback.



WARNING! Any contact with a rotating saw chain can cause extremely serious injuries.

Some terms that describe the bar and chain

To maintain the safety features of the cutting equipment, you should replace a worn or damaged bar or chain with a bar and chain combinations recommended by Husqvarna. See instructions under the heading Technical Data for a list of replacement bar and chain combinations we recommend.

Guide bar

- Length (inches/cm)
- Number of teeth on bar tip sprocket (T).
- Chain pitch (inches). The spacing between the drive links of the chain must match the spacing of the teeth on the bar tip sprocket and drive sprocket.

- Number of drive links. The number of drive links is determined by the length of the bar, the chain pitch and the number of teeth on the bar tip sprocket.
- Bar groove width (inches/mm). The groove in the bar must match the width of the chain drive links.
- Chain oil hole and hole for chain tensioner. The bar must be matched to the chain saw design.

Saw chain

- Chain pitch (inches)
- Drive link width (mm/inches)
- Number of drive links.

Sharpening your chain and adjusting depth gauge setting



WARNING! Always wear gloves, when working with the chain, in order to protect your hands from injury.

General information on sharpening cutting teeth

- Never use a blunt chain. When the chain is blunt you have to exert more pressure to force the bar through the wood and the chips will be very small. If the chain is very blunt it will produce wood powder and no chips or shavings.
- A sharp chain eats its way through the wood and produces long, thick chips or shavings.
- The cutting part of the chain is called the cutter and consists of a cutting tooth (A) and the depth gauge (B). The cutters cutting depth is determined by the difference in height between the two (depth gauge setting). (7)

When you sharpen a cutting tooth there are four important factors to remember.

- 1 Filing angle
- 2 Cutting angle
- 3 File position
- 4 Round file diameter

It is very difficult to sharpen a chain correctly without the right equipment. We recommend that you use our file gauge. This will help you obtain the maximum kickback reduction and cutting performance from your chain.

See instructions under the heading Technical data for information about sharpening your chain.



WARNING! Departure from the sharpening instructions considerably increases the risk of kickback.

Sharpening cutting teeth

To sharpen cutting teeth you will need a round file and a file gauge. See instructions under the heading Technical data for information on the size of file and gauge that are recommended for the chain fitted to your chain saw.

- Check that the chain is correctly tensioned. A slack chain will move sideways, making it more difficult to sharpen correctly.
- Always file cutting teeth from the inside face. Reduce the pressure on the return stroke. File all the teeth on one side first, then turn the chain saw and file the teeth on the other side.

GENERAL SAFETY PRECAUTIONS

File all the teeth to the same length. When the length of the cutting teeth is reduced to 0.16 inch (4 mm) the chain is worn out and should be replaced. **(8)**

General advice on adjusting depth gauge setting

- When you sharpen the cutting tooth (A) the depth gauge setting (C) will decrease. To maintain optimal cutting performance the depth gauge (B) has to be filed down to achieve the recommended depth gauge setting. See instructions under the heading Technical data to find the correct depth gauge setting for your particular chain.



WARNING! The risk of kickback is increased if the depth gauge setting is too large!

Adjustment of depth gauge setting

- The cutting teeth should be newly sharpened before adjusting the depth gauge setting. We recommend that you adjust the depth gauge setting every third time you sharpen the cutting teeth. **NOTE!** This recommendation assumes that the length of the cutting teeth is not reduced excessively.
- You will need a flat file and a depth gauge tool. We recommend that you use our depth gauge tool to achieve the correct depth gauge setting and bevel for the depth gauge.
- Place the depth gauge tool over the chain. Detailed information regarding the use of the depth gauge tool, will be found on the package for the depth gauge tool. Use the flat file to file off the tip of the depth gauge that protrudes through the depth gauge tool. The depth gauge setting is correct when you no longer feel resistance as you draw the file along the depth gauge tool.

Tensioning the chain



WARNING! A slack chain may jump off the bar and cause serious or even fatal injury.



WARNING! Always wear approved protective gloves. Even a non-moving chain can cause serious cuts to yourself or persons you bump into with an exposed chain.

The more you use a chain the longer it becomes. It is therefore important to adjust the chain regularly to take up the slack.

Check the chain tension every time you refuel. **NOTE!** A new chain has a running-in period during which you should check the tension more frequently.

Tension the chain as tightly as possible, but not so tight that you cannot pull it round freely by hand. **(9)**

- Loosen the bar nuts that hold the clutch cover/chain brake. Use the combination spanner. Then tighten the bar nuts by hand as tight as you can. **(10)**
- Raise the tip of the bar and stretch the chain by tightening the chain tensioning screw using the combination spanner. Tighten the chain until it does not sag from the underside of the bar. **(11)**

- Use the combination spanner to tighten the bar nuts while lifting the tip of the bar at the same time. Check that you can pull the chain round freely by hand and that it does not sag from the underside of the bar. **(12)**

Lubricating cutting equipment



WARNING! Poor lubrication of cutting equipment may cause the chain to snap, which could lead to serious, even fatal injuries.

Chain oil

Chain oil must demonstrate good adhesion to the chain and also maintain its flow characteristics regardless of whether it is warm summer or cold winter weather.

As a chain saw manufacturer we have developed an optimal chain oil which has a vegetable oil base. We recommend the use of our own oil for both maximum chain life and to minimise environmental damage. If our own chain oil is not available, standard chain oil is recommended.

Never use waste oil! Using waste oil can be dangerous to you and damage the machine and environment.



IMPORTANT! When using vegetable based saw chain oil, dismantle and clean the groove in the bar and saw chain before long-term storage. Otherwise there is a risk of the saw chain oil oxidizing, which will result in the saw chain becoming stiff and the bar tip sprocket jamming.

Filling with chain oil

- All our chain saws have an automatic chain lubrication system. On some models the oil flow is also adjustable.
- The saw chain oil tank and the fuel tank are designed so that the fuel runs out before the saw chain oil.

However, this safety feature requires that you use the right sort of chain oil (if the oil is too thin it will run out before the fuel), and that you adjust the carburetor as recommended (a lean mixture may mean that the fuel lasts longer than the oil) and that you also use the recommended cutting equipment (a bar that is too long will use more chain oil).

Checking chain lubrication

- Check the chain lubrication each time you refuel. See instructions under the heading Lubricating the bar tip sprocket.

Aim the tip of the bar at a light coloured surface about 20 cm (8 inches) away. After 1 minute running at 3/4 throttle you should see a distinct line of oil on the light surface.

If the chain lubrication is not working:

- Check that the oil channel in the bar is not obstructed. Clean if necessary.
- Check that the groove in the edge of the bar is clean. Clean if necessary.
- Check that the bar tip sprocket turns freely and that the lubricating hole in the tip sprocket is not blocked. Clean and lubricate if necessary.

GENERAL SAFETY PRECAUTIONS / ASSEMBLY

If the chain lubrication system is still not working after carrying out the above checks and associated measures you should contact your servicing dealer.

Chain drive sprocket

The clutch drum is fitted with a Spur sprocket (the chain sprocket is welded on the drum).

Regularly check the degree of wear on the drive sprocket. Replace if wear is excessive. Replace the drive sprocket whenever you replace the chain.

Checking wear on cutting equipment

Check the chain daily for:

- Visible cracks in rivets and links.
- Whether the chain is stiff.
- Whether rivets and links are badly worn.

Replace the saw chain if it exhibits any of the points above.

We recommend you compare the existing chain with a new chain to decide how badly the existing chain is worn.

When the length of the cutting teeth has worn down to only 0.16 inch (4 mm) the chain must be replaced.

Bar

Check regularly:

- Whether there are burrs on the edges of the bar. Remove these with a file if necessary. (13)
- Whether the groove in the bar has become badly worn. Replace the bar if necessary. (14)
- Whether the tip of the bar is uneven or badly worn. If a hollow forms on the underside of the bar tip this is due to running with a slack chain.
- To prolong the life of the bar you should turn it over daily.

Fitting the bar and chain



WARNING! Switch off the engine before carrying out any checks or maintenance. The stop switch automatically returns to the start position. In order to prevent unintentional starting, the spark plug cap must be removed from the spark plug when assembling, checking and/or performing maintenance.

Always wear gloves, when working with the chain, in order to protect your hands from injury.

Check that the chain brake is in disengaged position by moving the front hand guard towards the front handle.

Remove the bar nuts and remove the clutch cover (chain brake). Take off the transportation ring. (A) (15)

Fit the bar over the bar bolts. Place the bar in its rearmost position. Place the chain over the drive sprocket locate it in the groove on the bar. Begin on the top edge of the bar. (16)

Make sure that the edges of the cutting links are facing forward on the top edge of the bar.

Fit the clutch cover (chain brake) and locate the chain adjuster pin in the cut-out in the bar. Check that the drive links of the chain fit correctly on the drive sprocket and that the chain is in the groove on the bar. Tighten the bar nuts finger-tight. (17)

Tension the chain by turning the chain tensioning screw clockwise using the combination spanner. The chain should be tensioned until it does not sag from the underside of the bar. See instructions under the heading Tensioning the chain. (18)

The chain is correctly tensioned when it does not sag from the underside of the bar, but can still be turned easily by hand. Hold up the bar tip and tighten the bar nuts with the combination spanner. (19)

When fitting a new chain, the chain tension has to be checked frequently until the chain is run-in. Check the chain tension regularly. A correctly tensioned chain ensures good cutting performance and long life. (20)



WARNING! Most chain saw accidents happen when the chain touches the operator.

Wear personal protective equipment. See instructions under the heading Personal protective equipment.

Do not tackle any job that you feel you are not adequately trained for. See instructions under the headings Personal protective equipment, How to avoid kickback, Cutting equipment and General working instructions.

Avoid situations where there is a risk of kickback. See instructions under the heading Machine's safety equipment.

Use the recommended protective equipment and check its condition. See instructions under the heading General working instructions.

Check that all the chain saw safety features are working. See instructions under the headings General working instructions and General safety precautions.

FUEL HANDLING

Fuel

Note! The machine is equipped with a two-stroke engine and must always be run using a mixture of gasoline and two-stroke oil. It is important to accurately measure the amount of oil to be mixed to ensure that the correct mixture is obtained. When mixing small amounts of fuel, even small inaccuracies can drastically affect the ratio of the mixture.



WARNING! Always ensure there is adequate ventilation when handling fuel.

Gasoline

- Use good quality unleaded gasoline.
- The lowest recommended octane grade is 87 ((RON+MON)/2). If you run the engine on a lower octane grade than 87 so-called knocking can occur. This gives rise to a high engine temperature and increased bearing load, which can result in serious engine damage.
- When working with continuous high revs (e.g. limbing) a higher octane is recommended.

Running-in

Avoid running at a too high speed for extended periods during the first 10 hours.

Two-stroke oil

- For best results and performance use HUSQVARNA two-stroke engine oil, which is specially formulated for our air-cooled two stroke engines.
- Never use two-stroke oil intended for water-cooled engines, sometimes referred to as outboard oil (rated TCW).
- Never use oil intended for four-stroke engines.

Mixing ratio

1:50 (2%) for all engines.

Gasoline, litre	Two-stroke oil, litre
	2% (1:50)
5	0,10
10	0,20
15	0,30
20	0,40
US gallon	US fl. oz.
1	2 1/2
2 1/2	6 1/2
5	12 7/8

Mixing

- Always mix the gasoline and oil in a clean container intended for fuel.
- Always start by filling half the amount of the gasoline to be used. Then add the entire amount of oil. Mix (shake) the fuel mixture. Add the remaining amount of gasoline.
- Mix (shake) the fuel mixture thoroughly before filling the machine's fuel tank.
- Do not mix more than one month's supply of fuel at a time.
- If the machine is not used for some time the fuel tank should be emptied and cleaned.

Chain oil

- We recommend the use of special oil (chain oil) with good adhesion characteristics.
- Never use waste oil. This results in damage to the oil pump, the bar and the chain.
- It is important to use oil of the right grade (suitable viscosity range) to suit the air temperature.
- In temperatures below 32°F (0°C) some oils become too viscous. This can overload the oil pump and result in damage to the oil pump components.
- Contact your service agent when choosing chain oil.

Fueling



WARNING! Taking the following precautions, will lessen the risk of fire:

Do not smoke and do not place any hot objects in the vicinity of fuel.

Always stop the engine and let it cool for a few minutes before refuelling.

When refuelling, open the fuel cap slowly so that any excess pressure is released gently.

Tighten the fuel cap carefully after refuelling.

Always move the machine away from the refuelling area before starting.

Clean the area around the fuel cap. Clean the fuel and chain oil tanks regularly. The fuel filter must be replaced at least once a year. Contamination in the tanks causes malfunction. Make sure the fuel is well mixed by shaking the container before refuelling. The capacities of the chain oil tank and fuel tank are carefully matched. You should therefore always fill the chain oil tank and fuel tank at the same time.



WARNING! Fuel and fuel vapor are highly flammable. Take care when handling fuel and chain oil. Be aware of the risks of fire, explosion and those associated with inhalation.

Fuel safety

- Never refuel the machine while the engine is running.
- Make sure there is plenty of ventilation when refuelling or mixing fuel (gasoline and 2-stroke oil).
- Move the machine at least 10 ft (3 m) from the refuelling point before starting it.
- Never start the machine:
 - 1 If you have spilled fuel or chain oil on the machine. Wipe off the spillage and allow remaining fuel to evaporate.
 - 2 If you have spilled fuel on yourself or your clothes, change your clothes. Wash any part of your body that has come in contact with fuel. Use soap and water.
 - 3 If the machine is leaking fuel. Check regularly for leaks from the fuel cap and fuel lines.

FUEL HANDLING / STARTING AND STOPPING



WARNING! Never use a machine with visible damage to the spark plug guard and ignition cable. A risk of sparking arises, which can cause a fire.

Transport and storage

- Always store the chain saw and fuel so that there is no risk of leakages or fumes coming into contact with sparks or naked flames from electrical equipment, electric motors, relays/switches, boilers and the like.
- Always store fuel in an approved container designed for that purpose.
- For longer periods of storage or for transport of the chain saw, the fuel and chain oil tanks should be emptied. Ask where you can dispose of waste fuel and chain oil at your local gas station.
- Ensure the machine is cleaned and that a complete service is carried out before long-term storage.
- The bar guard must always be fitted to the cutting attachment when the machine is being transported or in storage, in order to prevent accident contact with the sharp chain. Even a non-moving chain can cause serious cuts to yourself or persons you bump into with an exposed chain.

Long-term storage

Empty the fuel/oil tanks in a well ventilated area. Store the fuel in approved cans in a safe place. Fit the bar guard. Clean the machine. See instructions under the heading Maintenance schedule.

Starting and stopping



WARNING! Note the following before starting:

The chain brake must be engaged when the chain saw is started to reduce the chance of contact with the moving chain during starting.

Never start a chain saw unless the bar, chain and all covers are fitted correctly. Otherwise the clutch can come loose and cause personal injuries.

Place the machine on firm ground. Make sure you have a secure footing and that the chain cannot touch anything.

Keep people and animals well away from the working area.

Cold engine

Starting: The chain brake should be activated when starting the chain saw. Activate the chain brake by pushing the front hand guard forwards. (21)

Choke: Pull the blue choke/fast idle lever out to the full extent (to the FULL CHOKE position). When the choke/fast idle lever is pulled out to the full extent, the correct throttle setting is set automatically. (22)

Start throttle: The correct choke/start throttle setting is obtained by moving the control to the choke position. (23)

Air purge: Press the air purge repeatedly until fuel begins to fill the bulb. The bulb need not be completely filled. (24)

Warm engine

Use the same procedure as for starting a cold engine but without setting the choke control in the choke position. Set the throttle to the start position by pulling out the blue choke control to the choke position and then pushing it in again. (25)

Starting

Grip the front handle with your left hand. Hold the chain saw on the ground by placing your right foot through the rear handle. Pull the starter handle with your right hand and pull out the starter cord slowly until you feel a resistance (as the starter pawls engage) then pull firmly and rapidly. **Never wrap the starter cord around your hand (26)**

CAUTION! Do not pull the starter cord all the way out and do not let go of the starter handle when the cord is fully extended. This can damage the machine.

Push in the choke control as soon as the engine fires which can be heard through a "puff" sound. Keep on pulling the cord powerfully until the engine starts. (27)

As the chain brake is still engaged the speed of the engine must be set to idling as soon as possible, this is achieved by quickly pressing the throttle trigger once. This prevents unnecessary wear to the clutch, clutch drum and brake band.

Note! Reactivate the chain brake by pushing the front hand guard back (marked "PULL BACK TO RESET") towards the front handle. The chain saw is now ready for use. There is a simplified start reminder with illustrations to describe each step on the rear edge of the saw (A). (28)



WARNING! Long term inhalation of the engine's exhaust fumes, chain oil mist and dust from sawdust can represent a health risk.

- Never start a chain saw unless the bar, chain and all covers are fitted correctly. See instructions under the heading Assembly. Without a bar and chain attached to the chain saw the clutch can come loose and cause serious injury. (29)
- The chain brake should be activated when starting. See instructions under the heading Start and stop. Do not drop start. This method is very dangerous because you may lose control of the saw. (30)
- Never start the machine indoors. Exhaust fumes can be dangerous if inhaled.
- Observe your surroundings and make sure that there is no risk of people or animals coming into contact with the cutting equipment.
- Always hold the saw with both hands. The right hand should be on the rear handle, and the left hand on the front handle. All people, whether right or left handed, should use this grip. Use a firm grip with thumbs and fingers encircling the chain saw handles. (31)

Stopping

Stop the engine by pressing down the stop button. (32)

Before use: (33)

- 1 Check that the chain brake works correctly and is not damaged.
- 2 Check that the rear right hand guard is not damaged.
- 3 Check that the throttle lockout works correctly and is not damaged.
- 4 Check that the stop switch works correctly and is not damaged.
- 5 Check that all handles are free from oil.
- 6 Check that the anti vibration system works and is not damaged.
- 7 Check that the muffler is securely attached and not damaged.
- 8 Check that all parts of the chain saw are tightened correctly and that they are not damaged or missing.
- 9 Check that the chain catcher is in place and not damaged.
- 10 Check the chain tension.

General working instructions

IMPORTANT!

This section describes basic safety rules for using a chain saw. This information is never a substitute for professional skills and experience. If you get into a situation where you feel unsafe, stop and seek expert advice. Contact your chain saw dealer, service agent or an experienced chain saw user. Do not attempt any task that you are not sure you can handle!

Before using a chain saw you must understand the effects of kickback and how to avoid them. See instructions under the heading How to avoid kickback. Before using a chain saw you must understand the difference between cutting with the top and bottom edges of the bar. See instructions under the headings How to avoid kickback and Machine's safety equipment.

Wear personal protective equipment. See instructions under the heading Personal protective equipment.

Basic safety rules

- 1 Look around you:
 - To ensure that people, animals or other things cannot affect your control of the machine.
 - To make sure that none of the above might come within reach of your saw or be injured by falling trees.

CAUTION! Follow the instructions above, but do not use a chain saw in a situation where you cannot call for help in case of an accident.

- 2 Do not use the machine in bad weather, such as dense fog, heavy rain, strong wind, intense cold, etc. Working in bad weather is tiring and often brings added risks, such as icy ground, unpredictable felling direction, etc.
- 3 Take great care when removing small branches and avoid cutting bushes (i.e. cutting many small branches at the same time). Small branches can be grabbed by the chain and thrown back at you, causing serious injury.
- 4 Make sure you can move and stand safely. Check the area around you for possible obstacles (roots, rocks, branches, ditches, etc.) in case you have to move

suddenly. Take great care when working on sloping ground.

- 5 Take great care when cutting a tree that is under tension. A tree that is under tension may spring back to its normal position before or after being cut. If you position yourself incorrectly or make the cut in the wrong place the tree may hit you or the machine and cause you to lose control. Both situations can cause serious personal injury.
- 6 Before moving your chain saw switch off the engine and lock the chain using the chain brake. Carry the chain saw with the bar and chain pointing backwards. Fit a guard to the bar before transporting the chain saw or carrying it for any distance.
- 7 When you put the chain saw on the ground, lock the saw chain using the chain brake and ensure you have a constant view of the machine. Switch the engine off before leaving your chain saw for any length of time.

General rules

- 1 If you understand what kickback is and how it happens then you can reduce or eliminate the element of surprise. By being prepared you reduce the risk. Kickback is usually quite mild, but it can sometimes be very sudden and violent.
- 2 Always hold the chain saw firmly with your right hand on the rear handle and your left hand on the front handle. Wrap your fingers and thumbs around the handles. You should use this grip whether you are right-handed or left-handed. This grip minimizes the effect of kickback and lets you keep the chain saw under control. **Do not let go of the handles!**
- 3 Most kickback accidents happen during limbing. Make sure you are standing firmly and that there is nothing in the way that might make you trip or lose your balance. Lack of concentration can lead to kickback if the kickback zone of the bar accidentally touches a branch, nearby tree or some other object.
Have control over the workpiece. If the pieces you intend to cut are small and light, they can jam in the saw chain and be thrown towards you. This is not necessarily dangerous in itself, but you may be surprised and lose control of the saw. Never saw stacked logs or branches without first separating them. Only saw one log or one piece at a time. Remove the cut pieces to keep your working area safe.
- 4 **Never use the chain saw above shoulder height and avoid cutting with the tip of the bar. Never use the chain saw one-handed! (34)**
- 5 In order to keep control of your saw, always maintain a firm foothold. Never work on a ladder, in a tree or on any other insecure support. **(35)**
- 6 Always use a fast cutting speed, i.e. full throttle.
- 7 Take great care when you cut with the top edge of the bar, i.e. when cutting from the underside of the object. This is known as cutting with a pushing chain. The chain tries to push the chain saw back towards the user. If the saw chain is jamming, the saw may be pushed back at you.
- 8 Unless the user resists this pushing force there is a risk that the chain saw will move so far backwards that only the kickback zone of the bar is in contact with the tree, which can lead to a kickback. **(36)**

Cutting with the bottom edge of the bar, i.e. from the top of the object downwards, is known as cutting with a

WORKING TECHNIQUES

pulling chain. In this case the chain saw pulls itself towards the tree and the front edge of the chain saw body rests naturally on the trunk when cutting. Cutting with a pulling chain gives the operator better control over the chain saw and the position of the kickback zone.

- 9 Follow the instructions on sharpening and maintaining your bar and chain. When you replace the bar and chain use only combinations that are recommended by us. See instructions under the headings Cutting equipment and Technical data.

Basic cutting technique



WARNING! Never use a chain saw by holding it with one hand. A chain saw is not safely controlled with one hand. Always have a secure, firm grip around the handles with both hands.

General

- Always use full throttle when cutting!
 - Reduce the speed to idle after every cut (running the engine for too long at full throttle without any load, i.e. without any resistance from the chain during cutting, can lead to serious engine damage).
 - Cutting from above = Cutting with a pulling chain.
 - Cutting from below = Cutting with pushing chain.
- Cutting with a pushing chain increases the risk of kickback. See instructions under the heading How to avoid kickback.

Terms

Cutting = General term for cutting through wood.

Limbing = Cutting branches off a felled tree.

Splitting = When the object you are cutting breaks off before the cut is complete.

There are five important factors you should consider before making a cut:

- 1 Make sure the cutting equipment will not jam in the cut.
- 2 Make sure the object you are cutting will not split.
- 3 Make sure the chain will not strike the ground or any other object during or after cutting.
- 4 Is there a risk of kickback?
- 5 Do the conditions and surrounding terrain affect how safely you can stand and move about?

Two factors decide whether the chain will jam or the object that you are cutting will split: the first is how the object is supported before and after cutting, and the second is whether it is in tension.

In most cases you can avoid these problems by cutting in two stages; from the top and from the bottom. You need to support the object so that it will not trap the chain or split during cutting.

IMPORTANT! If the chain jams in the cut: stop the engine! Don't try to pull the chain saw free. If you do you may be injured by the chain when the chain saw suddenly breaks free. Use a lever to open up the cut and free the chain saw.

The following instructions describe how to handle the common situations you are likely to encounter when using a chain saw.

Limbing

When limbing thick branches you should use the same approach as for cutting.

Cut difficult branches piece by piece.

Cutting



WARNING! Never attempt to cut logs while they are in a pile or when a couple of logs are lying together. Such procedures drastically increase the risk of kickback which can result in a serious or fatal injury.

If you have a pile of logs, each log you attempt to cut should be removed from the pile, placed on a saw horse or runners and cut individually.

Remove the cut pieces from the cutting area. By leaving them in the cutting area, you increase the risk for inadvertently getting a kickback, as well as increasing the risk of losing your balance while working.

The log is lying on the ground. There is little risk of the chain jamming or the object splitting. However there is a risk that the chain will touch the ground when you finish the cut.

Cut all the way through the log from above. Avoid letting the chain touch the ground as you finish the cut. Maintain full throttle but be prepared for what might happen. **(37)**

If it is possible (can you turn the log?) stop cutting about 2/3 of the way through the log.

Turn the log and finish the cut from the opposite side.

The log is supported at one end. There is a high risk that it will split.

Start by cutting from below (about 1/3 of the way through). Finish by cutting from above so that the two cuts meet.

The log is supported at both ends. There is a high risk that the chain will jam.

Start by cutting from above (about 1/3 of the way through). Finish by cutting from below so that the two cuts meet.

Tree felling technique

IMPORTANT! It takes a lot of experience to fell a tree. Inexperienced users of chain saws should not fell trees. Do not attempt any task beyond your experience level!

Safe distance

The safe distance between a tree that is to be felled and anyone else working nearby is at least 2 1/2 tree lengths. Make sure that no-one else is in this "risk zone" before or during felling. **(38)**

Felling direction

The aim is to fell the tree in a position where you can limb and cross-cut the log as easily as possible. You want it to fall in a location where you can stand and move about safely.

Once you have decided which way you want the tree to fall you must judge which way the tree would fall naturally.

Several factors affect this:

- Lean of the tree
- Bend
- Wind direction

WORKING TECHNIQUES

- Arrangement of branches
- Weight of snow
- Obstacles within the reach of the tree: for example, other trees, power lines, roads and buildings.
- Look for signs of damage and rot in the stem, this makes it more probably that the tree will break and start to fall before you expect it to.

You may find you are forced to let the tree fall in its natural direction because it is impossible or dangerous to try to make it fall in the direction you first intended.

Another very important factor, which does not affect the felling direction but does affect your safety, is to make sure the tree has no damaged or dead branches that might break off and hit you during felling.

The main point to avoid is letting the tree fall onto another tree. It is very dangerous to remove a trapped tree and there is high accident risk. See instructions under the heading Freeing a tree that has fallen badly.

IMPORTANT! During critical felling operations, hearing protectors should be lifted immediately when sawing is completed so that sounds and warning signals can be heard.

Clearing the trunk and preparing your retreat

Delimb the stem up to shoulder height. It is safer to work from the top down and to have the tree between you and the saw.

Remove any undergrowth from the base of the tree and check the area for obstacles (stones, branches, holes, etc.) so that you have a clear path of retreat when the tree starts to fall. Your path of retreat should be roughly 135 degrees away from the intended felling direction. (39)

Felling

 **WARNING!** Unless you have special training we advise you not to fell trees with a diameter larger than the bar length of your saw!

Felling is done using three cuts. First you make the directional cuts, which consist of the top cut and the bottom cut, then you finish with the felling cut. By placing these cuts correctly you can control the felling direction very accurately.

Directional cuts

To make the directional cuts you begin with the top cut. Stand to the right of the tree and cut on the pull stroke.

Next make the bottom cut so that it finishes exactly at the end of the top cut. (40)

The directional cuts should run 1/4 of the diameter through the trunk and the angle between the top cut and bottom cut should be 45°.

The line where the two cuts meet is called the directional cut line. This line should be perfectly horizontal and at right angles (90°) to the chosen felling direction. (41)

Felling cut

The felling cut is made from the opposite side of the tree and it must be perfectly horizontal. Stand on the left side of the tree and cut on the pull stroke.

Make the felling cut about 1.5-2 inches (3-5 cm) above the bottom directional cut. (42)

Finish the felling cut parallel with the directional cut line so that the distance between them is at least 1/10 of the trunk diameter. The uncut section of the trunk is called the felling hinge.

The felling hinge controls the direction that the tree falls in. (43)

All control over the felling direction is lost if the felling hinge is too narrow or non-existent, or if the directional cuts and felling cut are badly placed.

When the felling cut and directional cut are complete the tree should start to fall by itself or with the aid of a felling wedge or breaking bar.

We recommend that you use a bar that is longer than the diameter of the tree, so that you can make the felling cut and directional cuts with single cutting strokes. See instructions under the heading Technical data section to find out which lengths of bar are recommended for your saw.

There are methods for felling trees with a diameter larger than the bar length. However these methods involve a much greater risk that the kickback zone of the bar will come into contact with the tree.

Freeing a tree that has fallen badly

Freeing a "trapped tree"

It is very dangerous to remove a trapped tree and there is high accident risk.

Never try to fell the tree that is trapped.

Never work in the risk zone of the hanging trapped tree.

The safest method is to use a winch.

- Tractor-mounted
- Portable

Cutting trees and branches that are in tension

Preparations: Work out which side is in tension and where the point of maximum tension is (i.e. where it would break if it was bent even more).

Decide which is the safest way to release the tension and whether you are able to do it safely. In complicated situations the only safe method is to put aside your chain saw and use a winch.

General advice:

Position yourself so that you will be clear of the tree or branch when the tension is released.

Make one or more cuts at or near the point of maximum tension. Make as many cuts of sufficient depth as necessary to reduce the tension and make the tree or branch break at the point of maximum tension.

Never cut straight through a tree or branch that is in tension!

If you must cut across tree/limb, make two to three cuts, one inch apart, one to two inches deep.

Continue to cut deeper until tree/limb bends and tension is released.

Cut tree/limb from outside the bend, after tension has been released.

How to avoid kickback



WARNING! Kickback can happen very suddenly and violently; kicking the chain saw, bar and chain back at the user. If this happens when the chain is moving it can cause very serious, even fatal injuries. It is vital you understand what causes kickback and that you can avoid it by taking care and using the right working technique.

What is kickback?

The word kickback is used to describe the sudden reaction that causes the chain saw and bar to jump off an object when the upper quadrant of the tip of the bar, known as the kickback zone, touches an object. (44)

Kickback always occurs in the cutting plane of the bar. Normally the chain saw and bar are thrown backwards and upwards towards the user. However, the chain saw may move in a different direction depending on the way it was being used when the kickback zone of the bar touched the object.

Kickback only occurs if the kickback zone of the bar touches an object. (45)

Limbing



WARNING! A majority of kickback accidents occur during limbing. Do not use the kickback zone of the guide bar. Be extremely cautious and avoid contacting the log, other limbs or objects with the nose of the guide bar. Be extremely cautious of limbs under tension. They can spring back toward you and cause loss of control resulting in injury.

Make sure that you can stand and move about safely. Work on the left side of the trunk. Work as close as possible to the chain saw for maximum control. If possible, let the weight of the chain saw rest on the trunk.

Keep the trunk between you and the chain saw as you move along the trunk.

Cutting the trunk into logs

See instructions under the heading Basic cutting technique.

General

The user must only carry out the maintenance and service work described in this manual. More extensive work must be carried out by an authorised service workshop.

Carburetor adjustment

Your Husqvarna product has been designed and manufactured to specifications that reduce harmful emissions.

Function

- The carburetor governs the engine's speed via the throttle control. Air and fuel are mixed in the carburetor. The air/fuel mixture is adjustable. Correct adjustment is essential to get the best performance from the machine.
- The T-screw regulates the throttle setting at idle speed. If the T-screw is turned clockwise this gives a higher idle speed; turning it anti-clockwise gives a lower idle speed.

Basic settings and running in

The basic carburetor settings are adjusted during testing at the factory. Fine adjustment should be carried out by a skilled technician.

Rec. idle speed: See the Technical data section.

Fine adjustment of the idling speed T

Adjust the idle speed with the T-screw. If it is necessary to re-adjust, turn the T-screw clockwise while the engine is running, until the chain starts to rotate. Then turn counter-clockwise until the chain stops. A correctly adjusted idle speed setting occurs when the engine runs smoothly in every position. It should also be good margin to the rpm when the chain starts to rotate.



WARNING! Contact your servicing dealer, if the idle speed setting cannot be adjusted so that the chain stops at idle. Do not use the chain saw until it has been properly adjusted or repaired.

Checking, maintaining and servicing chain saw safety equipment

Note! All servicing and repair work on the machine requires special training. This is especially true of the machine's safety equipment. If your machine fails any of the checks described below we recommend you to contact our servicing dealer. Any maintenance other than that described in this manual must be carried out by your servicing dealer (retailer).

Switch off the engine and take off the ignition cable before repairs or maintenance

Chain brake and front hand guard

Checking brake band wear

Brush off any wood dust, resin and dirt from the chain brake and clutch drum. Dirt and wear can impair operation of the brake. (46)

Regularly check that the brake band is at least 0.024 inch (0.6 mm) thick at its thinnest point.

Checking the front hand guard

Make sure the front hand guard is not damaged and that there are no visible defects such as cracks.

Move the front hand guard forwards and back to make sure it moves freely and that it is securely anchored to the clutch cover. (47)

MAINTENANCE

Checking the inertia brake release

With the engine turned off, hold the chain saw over a stump or other firm object. Let go of the front handle so that the bar drops towards the stump as the chain saw rotates around the rear handle.

When the bar hits the stump the brake should be applied. (48)

Checking the brake trigger

Place the chain saw on firm ground and start it. Make sure the chain does not touch the ground or any other object. See the instructions under the heading Start and stop.

Grasp the chain saw firmly, wrapping your fingers and thumbs around the handles.

Apply full throttle and activate the chain brake by tilting your left wrist forward onto the front hand guard. Do not let go of the front handle. **The chain should stop immediately.**

Throttle lockout

- Make sure the throttle control is locked at the idle setting when the throttle lockout is released.
- Press the throttle lockout and make sure it returns to its original position when you release it.
- Check that the throttle control and throttle lockout move freely and that the return springs work properly.
- Start the chain saw and apply full throttle. Release the throttle control and check that the chain stops and remains stationary. If the chain rotates when the throttle control is in the idle position you should check the carburetor idle adjustment.

Chain catcher

Check that the chain catcher is not damaged and is firmly attached to the body of the chain saw.

Right hand guard

Check that the right hand guard is not damaged and that there are no visible defects, such as cracks.

Vibration damping system

Regularly check the vibration damping units for cracks or deformation.

Make sure the vibration damping units are securely attached to the engine unit and handle unit.

Stop switch

Start the engine and make sure the engine stops when you move the stop switch to the stop setting.

Muffler

Never use a machine that has a faulty muffler. Regularly check that the muffler is securely attached to the machine.

Note: The spark arrestor screen (A) on this machine is serviceable. **(49)** The screen must be replaced if it is damaged. If the screen is blocked the machine will overheat and this will cause damage to the cylinder and piston. Never use a machine with a muffler that is in poor condition. **Never use a muffler if the spark arrestor screen is missing or defective.**

For normal homeowner use, the muffler and spark arresting screen will not require replacement.

Air filter

The air filter must be regularly cleaned to remove dust and dirt in order to avoid:

- Carburettor malfunctions
- Starting problems
- Loss of engine power
- Unnecessary wear to engine parts
- Excessive fuel consumption.
- Remove the air filter (3) after taking off the cylinder cover, screw (1) and filter cover (2). When refitting make sure that the air filter seals tightly against the filter holder. Clean the filter by brushing or shaking it. **(50)**

The filter can be cleaned more thoroughly by washing it in water and detergent.

An air filter that has been in use for a long time cannot be cleaned completely. The filter must therefore be replaced with a new one at regular intervals. **A damaged air filter must always be replaced.**

Spark plug

The spark plug condition is influenced by:

- Incorrect carburetor adjustment.
- An incorrect fuel mixture (too much or incorrect type of oil).
- A dirty air filter.

These factors cause deposits on the spark plug electrodes, which may result in operating problems and starting difficulties.

If the machine is low on power, difficult to start or runs poorly at idle speed: always check the spark plug first before taking any further action. If the spark plug is dirty, clean it and check that the electrode gap is 0.020 inch (0.5 mm). The spark plug should be replaced after about a month in operation or earlier if necessary.

Note! Always use the recommended spark plug type! Use of the wrong spark plug can damage the piston/cylinder. Check that the spark plug is fitted with a suppressor.

MAINTENANCE

Maintenance schedule

The following is a list of the maintenance that must be performed on the machine. Most of the items are described in the Maintenance section.

Daily maintenance (Every 5-10 h)	Weekly maintenance (Every 10-25 h)	Monthly maintenance (Every 25-40 h)
Clean the outside of the machine.	Check the starter, the starter cord and the recoil spring.	Check the brake band on the chain brake for wear. Replace when less than 0.024 inch (0.6 mm) remains at the most worn point.
Check that the components of the throttle control work safely. (Throttle lockout and throttle control.)	Check that the vibration damping elements are not damaged.	Check the clutch centre, clutch drum and clutch spring for wear.
Clean the chain brake and check that it operates safely. Make sure that the chain catcher is undamaged, and replace it if necessary.	File off any burrs from the edges of the bar.	Clean the spark plug. Check that the electrode gap is 0.020 inch (0.5 mm).
The bar should be turned daily for more even wear. Check the lubrication hole in the bar, to be sure it is not clogged. Clean the bar groove. If the bar has a sprocket tip, this should be lubricated.	Clean the carburetor compartment.	Clean the outside of the carburetor.
Check that the bar and chain are getting sufficient oil.	Clean the air filter. Replace if necessary.	Check fuel hose for cracks or other damage. Change if necessary.
Check the saw chain with regard to visible cracks in the rivets and links, whether the saw chain is stiff or whether the rivets and links are abnormally worn. Replace if necessary.		Empty the fuel tank and clean the inside.
Sharpen the chain and check its tension and condition. Check the drive sprocket for excessive wear and replace if necessary.		Empty the oil tank and clean the inside.
Clean the starter units air intake.		Check all cables and connections.
Check that nuts and screws are tight.		
Check that the stop switch works correctly.		
Check that there are no fuel leaks from the engine, tank or fuel lines.		

TECHNICAL DATA

Technical data

	235	240
Engine		
Cylinder displacement, cu.in/cm ³	2.3/38	2.3/38
Stroke, inch/mm	1.26/32	1.26/32
Idle speed, rpm	3000	3000
Power, kW	1.3	1.5
Emissions Durability Period according to California Air Resources Board, h.	125	125
Ignition system		
Spark plug	Champion RCJ 7Y	Champion RCJ 7Y
Electrode gap, inch/mm	0.020/0.5	0.020/0.5
Fuel and lubrication system		
Fuel tank capacity, US pint/litre	0.63/0.3	0.63/0.3
Oil pump capacity at 8,500 rpm, ml/min	7	7
Oil tank capacity, US pint/litre	0.4/0.19	0.4/0.19
Type of oil pump	Automatic	Automatic
Weight		
Chain saw without bar or chain, empty tanks, lb/kg	10.3/4.7	10.3/4.7
Chain/bar		
Standard bar length, inch/cm	14-18 / 35-45	14-18 / 35-45
Recommended bar lengths, inch/cm	14-18 / 35-45	14-18 / 35-45
Usable cutting length, inches/cm	13.5/34, 15.5/39	13.5/34, 15.5/39
Chain speed at max. power, m/sec	17.1	17.1
Pitch, inch/mm	0.375/9.5	0.375/9.5
Thickness of drive links, inch/mm	0.050/1.3	0.050/1.3
Number of teeth on drive sprocket	6	6

TECHNICAL DATA

Recommended original and replacement bar and chain combinations for USA

Following is a list of recommended cutting equipment for the Husqvarna chain saw models 235 and 240. The combinations of power head, bar and chain have been tested and found to be in accordance with the kickback and vibration requirements of ANSI B175.1-2000.

The guide bar nose radius is determined by either the maximum number of teeth in the nose sprocket or the corresponding maximum nose radius of a solid bar.

The following list is the chain saw manufacturers recommendations. There may be other combinations available, which will also achieve kickback reduction.

As we are listing the maximum guide bar nose radius, you may use a guide bar with smaller nose radius than in our list. For guide bars of the same length, all sprocket-nose guide bars of the same pitch and having the same number of sprocket teeth may be considered to have equivalent kickback energy. A hard nose bar having the same length and nose radius as a sprocket-nose bar may be considered to have equivalent or less kickback energy than the sprocket-nose bar.

Chain saw models Husqvarna 235 and 240 met the kickback performance requirements of ANSI B175.1-2000 when tested with the combinations of bars and saw chains listed below. The saw chains Oregon 91PX and 90SG are also classified as a low kickback saw chain since it met the requirements for low kickback saw chain outlined in ANSI B175.1-2000. We recommend to use only the listed combinations of bars and chains for chain saw models Husqvarna 235 and 240. Other chain saw models may not meet the kickback requirements when equipped with the listed bar and chain combinations.

Recommended cutting equipment for Canada

The following is a list of recommended cutting equipment for Class 1A and 1B Chainsaws. The combinations of powerhead, bar and chain meet all requirements outlined in the CSA Z62.1-95 Chainsaws and Z62.3-96 Chainsaw Kickback standards.


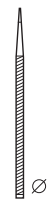
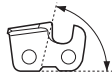
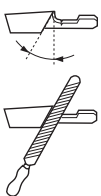

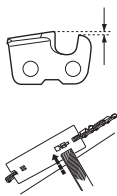
The guide bar nose radius is determined by either the maximum number of teeth in the nose sprocket or the corresponding maximum nose radius of a solid bar.

As we are listing the maximum guide bar nose radius, you may use a guide bar with smaller nose radius than in our list. For guide bars of the same length, all sprocket-nose guide bars of the same pitch and having the same number of sprocket teeth may be considered to have equivalent kickback energy.

A hard nose bar having the same length and nose radius as a sprocket-nose bar may be considered to have equivalent or less kickback energy than the sprocket-nose bar.

We recommend that you as replacement use the listed bars and chains or "Type C Low-Kickback Saw Chains" which are available at your dealer.

Guide bar				Saw chain	
Length, inch	Pitch, inch	Thickness of drive links, inch/mm	Max. nose radius	Type	Drive link count
14	3/8	0.050/1.3	7 T	H37 / 91PX	52
16	3/8	0.050/1.3	7 T	H37 / 91PX	56
18	3/8	0.050/1.3	7 T	H37 / 91PX	62

					
	inch/mm				inch/mm
H37, 91PX	5/32 / 4,0	80°	30°	0°	0.025/0,65

IMPORTANT: This product is compliant with U.S. EPA Phase 3 regulations for exhaust and evaporative emissions. To ensure EPA Phase 3 compliance, we recommend using only genuine Husqvarna brand replacement parts. Use of non-compliant replacement parts is a violation of federal law.

YOUR WARRANTY RIGHTS AND OBLIGATIONS

The EPA (U.S. Environmental Protection Agency), CARB (California Air Resources Board), Environment Canada and Husqvarna Forest & Garden are pleased to explain the emissions control system's warranty on your 2015-2016* small off-road engine. In U.S. and Canada, small off-road engines must be designed, built, and equipped to meet the applicable Federal or California stringent anti-smog standards. Husqvarna Forest & Garden must warrant the emissions control system on your small off-road engine for the period of time listed below provided there has been no abuse, neglect or improper maintenance of your small off-road engine. Your emission control system may include parts such as the carburetor, fuel-injection system, the ignition system, catalytic converter, fuel tanks, fuel lines, fuel caps, valves, canisters, filters, vapor hoses, clamps, connectors, and other associated emission-related components. For engines less than or equal to 80 cc, only the fuel tank is subject to the evaporative emission control warranty requirements of this section (California only). Where a warrantable condition exists, Husqvarna Forest & Garden will repair your small off-road engine at no cost to you including diagnosis, parts and labor.

MANUFACTURER'S WARRANTY COVERAGE

The emissions control system is warranted for two years. If any emissions-related part on your small off-road engine is defective, the part will be repaired or replaced by Husqvarna Forest & Garden.

OWNER'S WARRANTY RESPONSIBILITIES

- As the small off-road engine owner, you are responsible for performance of the required maintenance listed in your operator's manual. Husqvarna Forest & Garden recommends that you retain all receipts covering maintenance on your small off-road engine, but Husqvarna Forest & Garden cannot deny warranty solely for the lack of receipts or your failure to ensure the performance of all scheduled maintenance.
- As the small off-road engine owner, you should however be aware that Husqvarna Forest & Garden may deny you warranty coverage if your small off-road engine or a part has failed due to abuse, neglect, or improper maintenance or unapproved modifications.
- You are responsible for presenting your small off-road engine to a Husqvarna Forest & Garden distribution center or service center as soon as the problem exists. The warranty repairs should be completed in a reasonable amount of time, not to exceed 30 days. If you have any questions regarding your warranty coverage, you should contact Husqvarna Forest & Garden in USA at 1-800-487-5951, in CANADA at 1-800-805-5523 or send e-mail correspondence to emissions@husqvarnagroup.com.

WARRANTY COMMENCEMENT DATE

The warranty period begins on the date the engine or equipment is delivered to an ultimate purchaser.

LENGTH OF COVERAGE

Husqvarna Forest & Garden warrants to the ultimate purchaser and each subsequent owner that the engine or equipment is designed, built, and equipped so as to conform with all applicable regulations adopted by EPA and CARB, and is free from defects in materials and workmanship that causes the failure of a warranted part for a period of two years.

WHAT IS COVERED

REPAIR OR REPLACEMENT OF PARTS Repair or replacement of any warranted part under the warranty must be performed at no charge to the owner at a warranty station. Warranty services or repairs will be provided at all Husqvarna Forest & Garden distribution centers that are franchised to service the subject engines. Throughout the emissions warranty period of two years, Husqvarna Forest & Garden must maintain a supply of warranted parts sufficient to meet the expected demand for such parts.

WARRANTY PERIOD Any warranted part that is scheduled for replacement as required in the maintenance schedule, is warranted for the period of time prior to the first scheduled replacement point for that part. If the part fails prior to the first scheduled replacement, the part will be repaired or replaced by Husqvarna Forest & Garden at no cost. Any such part repaired or replaced under warranty is warranted for the remainder of the period prior to the first scheduled replacement point for the part. Any warranted part that is not scheduled for replacement as required in the maintenance schedule, is warranted for two years. If any such part fails during the period of warranty coverage, it will be repaired and replaced by Husqvarna Forest & Garden at no cost. Any such part repaired or replaced under the warranty is warranted for the remaining warranty period. Any warranted part that is scheduled only for regular inspection in the maintenance schedule will be warranted for a period of two years. A statement in such written instructions to the effect of "repair or replace as necessary" will not reduce the period of warranty coverage. Any such part repaired or replaced under warranty will be warranted for the remaining warranty period.

DIAGNOSIS The owner must not be charged for diagnostic labor that leads to the determination that a warranted part is in fact defective, provided that such diagnostic work is performed at a warranty station.

CONSEQUENTIAL DAMAGES Husqvarna Forest & Garden is liable for damages to other engine components proximately caused by a failure under warranty of any warranted part.

EMISSION WARRANTY PARTS LIST

- 1 Carburetor and internal parts
- 2 Intake pipe, airfilter holder and carburetor bolts.
- 3 Airfilter and fuelfilter covered up to maintenance schedule.
- 4 Spark Plug, covered up to maintenance schedule
- 5 Ignition Module
- 6 Fuel tank, line and cap

WHAT IS NOT COVERED

All failures caused by abuse, neglect or improper maintenance are not covered.

ADD -ON OR MODIFIED PARTS

Add-on or modified parts that are not exempted by CARB or EPA may not be used. The use of any non-exempted add-on or modified parts will be grounds for disallowing a warranty claim. Husqvarna Forest & Garden will not be liable to warrant failures of warranted parts caused by the use of a non-exempted add-on or modified part.

HOW TO FILE A CLAIM

If you have any questions regarding your warranty rights and responsibilities, you should contact your nearest authorized servicing dealer or call Husqvarna Forest & Garden in USA at 1-800-487-5951, in CANADA at 1-800-805-5523 or send e-mail correspondence to emissions@husqvarnagroup.com.

WHERE TO GET WARRANTY SERVICE

Warranty services or repairs are provided through all Husqvarna Forest & Garden authorized servicing dealers.

MAINTENANCE, REPLACEMENT AND REPAIR OF EMISSION-RELATED PARTS

Any replacement part may be used in the performance of any warranty maintenance or repairs and must be provided without charge to the owner. Such use will not reduce the warranty obligations of the manufacturer.

MAINTENANCE STATEMENT

The owner is responsible for the performance of all required maintenance, as defined in the operator's manual.

*Current and following model year will be updated annually in the warranty statement provided to the consumer. For example, in 2012 model year, 2012-2013 will be specified.

AMERICAN STANDARD SAFETY PRECAUTIONS

Safety precautions for chain saw users

(ANSI B175.1-2000 Annex C)

Kickback safety precautions



WARNING! Kickback may occur when the nose or tip of the guide bar touches an object, or when the wood closes in and pinches the saw chain in the cut.

Tip contact in some cases may cause a lightning fast reverse reaction, kicking the guide bar up and back towards the operator.

Pinching the saw chain along the top of the guide bar may push the guide bar rapidly back towards the operator.

Either of these reactions may cause you to lose control of the saw which could result in serious personal injury.

Do not rely exclusively upon the safety devices built into your saw. As a chain saw user, you should take several steps to keep your cutting jobs free from accident or injury.

With a basic understanding of kickback, you can reduce or eliminate the element of surprise. Sudden surprise contributes to accidents.

Keep a good firm grip on the saw with both hands, the right hand on the rear handle, and the left hand on the front handle, when the engine is running. Use a firm grip with thumbs and fingers encircling the chain saw handles. A firm grip will help you reduce kickback and maintain control of the saw. Don't let go.

Make sure that the area in which you are cutting is free from obstacles. Do not let the nose of the guide bar contact a log, branch, or any other obstacle which could be hit while you are operating the saw.

Cut at high engine speeds.

Do not overreach or cut above shoulder height.

Follow manufacturer's sharpening and maintenance instructions for the saw chain.

Only use replacement bars and chains specified by the manufacturer or the equivalent.

Other safety precautions



WARNING! Do not operate a chain saw with one hand! Serious injury to the operator, helpers, bystanders or any combination of these persons may result from one-handed operation. A chain saw is intended for two-handed use.

Do not operate a chain saw when you are fatigued.

Use safety footwear; snug-fitting clothing, protective gloves, and eye, hearing and head protection devices.

Use caution when handling fuel. Move the chain saw at least 10 feet (3 m) from the fueling point before starting the engine.

Do not allow other persons to be near the chain saw when starting or cutting with the chain saw. Keep bystanders and animals out of the work area.

Do not start cutting until you have a clear work area, secure footing and a planned retreat path from the falling tree.

Keep all parts of your body away from the saw chain when the engine is running.

Before you start the engine, make sure that the saw chain is not contacting anything.

Carry the chain saw with the engine stopped, the guide bar and saw chain to the rear, and the muffler away from your body.

Do not operate a chain saw that is damaged, improperly adjusted, or not completely and securely assembled. Be sure that the saw chain stops moving when the throttle control trigger is released.

Shut off the engine before setting the chain saw down.

Use extreme caution when cutting small size brush and saplings because slender material may catch the saw chain and be whipped toward you or pull you off balance.

When cutting a limb that is under tension be alert for springback so that you will not be struck when the tension in the wood fibers is released.

Keep handles dry, clean and free of oil or fuel mixture.

Operate the chain saw only in well-ventilated areas.

Do not operate a chain saw in a tree unless you have been specifically trained to do so.

Do not operate a chain saw above shoulder height.

All chain saw service, other than the items listed in the operator's/owner's safety and maintenance instructions, should be performed by competent chain saw service personnel. (For example, if improper tools are used to remove the flywheel or if an improper tool is used to hold the flywheel in order to remove the clutch, structural damage to the flywheel could occur and subsequently cause the flywheel to burst.)

When transporting your chain saw, use the appropriate guide bar guard.

Note: This Annex is intended primarily for the consumer or occasional user.

Cher client,

Félicitations pour ce choix d'un produit Husqvarna. Husqvarna a vu le jour en 1689 lorsque le roi Karl XI décida de construire un arsenal pour la fabrication des mousquets au bord de la rivière Huskvarna. Le choix de l'emplacement était logique puisque la rivière Huskvarna servait à produire de l'énergie hydraulique et constituait donc une sorte de centrale hydraulique. En plus de 300 ans d'existence, l'usine Husqvarna a fabriqué de nombreux produits, depuis les cuisinières à bois jusqu'aux équipements de cuisine modernes, sans oublier les machines à coudre, les bicyclettes, les motos, etc. La première tondeuse à moteur a été lancée en 1956, suivie en 1959 de la première tronçonneuse. C'est dans ce secteur que Husqvarna est actif aujourd'hui.

Husqvarna est aujourd'hui un des plus grands fabricants du monde de produits destinés à l'entretien des forêts et des jardins. La qualité et les performances sont nos priorités. Notre concept d'affaires est de développer, fabriquer et commercialiser des produits à moteur pour l'entretien des forêts et des jardins et pour les entreprises de construction et d'aménagement des sols. L'objectif d'Husqvarna est aussi d'être à la pointe du progrès en matière d'ergonomie, de facilité d'utilisation, de sécurité et de protection de l'environnement; un grand nombre d'innovations ont été développées pour améliorer les produits dans ces domaines.

Nous sommes persuadés que vous apprécierez la qualité et les performances de nos produits pendant de longues années. L'achat d'un de nos produits vous garantit une assistance professionnelle au niveau du service et des réparations en cas de besoin. Si la machine n'a pas été achetée chez un de nos revendeurs autorisés, demandez à un revendeur l'adresse de l'atelier d'entretien le plus proche.

Nous espérons que cette machine vous donnera toute satisfaction et qu'elle vous accompagnera pendant de longues années. N'oubliez pas que ce manuel d'utilisation est important. En suivant les instructions qu'il contient (utilisation, révision, entretien, etc.), il est possible d'allonger considérablement la durée de vie de la machine et d'augmenter sa valeur sur le marché de l'occasion. En cas de vente de la machine, ne pas oublier de remettre le manuel d'utilisation au nouveau propriétaire.

Nous vous remercions d'utiliser un produit Husqvarna !

Husqvarna AB travaille continuellement au développement de ses produits et se réserve le droit d'en modifier, entre autres, la conception et l'aspect sans préavis.

Symboles sur la machine:

AVERTISSEMENT! Cette tronçonneuse peut être dangereuse! Une utilisation erronée ou négligente peut occasionner des blessures graves, voire mortelles pour l'utilisateur ou une tierce personne.



Lire attentivement et bien assimiler le manuel d'utilisation avant d'utiliser la machine.



Toujours utiliser:

- Casque de protection homologué
- Protecteurs d'oreilles homologués
- Lunettes protectrices ou visière



Toujours utiliser les deux mains pour manipuler la tronçonneuse.



Ne jamais utiliser une seule main pour manipuler la tronçonneuse.



Éviter tout contact de la pointe du guide-chaîne avec un objet.



AVERTISSEMENT! Un contact de la pointe peut provoquer un mouvement soudain du guide-chaîne vers le haut et l'arrière et ainsi causer des blessures graves.

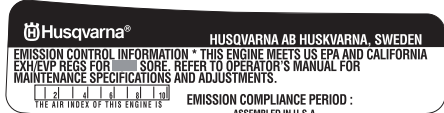


Valeur de recul maximum mesurée sans frein de chaîne pour la combinaison guide-chaîne et chaîne sur l'étiquette.



Les autres symboles/autocollants présents sur la machine concernent des exigences de certification spécifiques à certains marchés.

L'autocollant comportant ce symbol d'avertissement est placé sur la tronçonneuse:



La période de conformité des émissions à laquelle il est fait référence sur l'étiquette de conformité des émissions indique le nombre d'heures de fonctionnement pour lesquelles il a été établi que le moteur répond aux exigences fédérales en matière d'émissions. Catégorie C = 50 heures, B = 125 heures et A = 300 heures.

L'entretien, le remplacement ou la réparation des dispositifs et des systèmes antipollution peuvent être effectués par tout établissement ou personne qui répare des produits motorisés manuels.

! ATTENTION!

Les émissions du moteur de cet outil contiennent des produits chimiques qui, d'après l'État de Californie, peuvent causer le cancer, des malformations congénitales ou autre danger pour la reproduction.

INTRODUCTION

Quels sont les composants de la tronçonneuse? (1)

- 1 Plaque de numéro de série et de produit
- 2 Blocage de l'accélération (Empêche toute accélération accidentelle.)
- 3 Poignée avant
- 4 Capot de cylindre
- 5 Arceau protecteur
- 6 Silencieux
- 7 Patin d'ébranchage
- 8 Pignon avant
- 9 Poignée arrière avec protection de la main droite
- 10 Commande de l'accélération
- 11 Carter d'embrayage
- 12 Capteur de chaîne
- 13 Guide-chaîne
- 14 Chaîne
- 15 Poignée de lanceur
- 16 Réservoir d'huile pour chaîne
- 17 Lanceur
- 18 Réservoir d'essence
- 19 Commande starter/blocage du ralenti accéléré
- 20 Poignée arrière
- 21 Bouton d'arrêt (Activation et désactivation de l'allumage.)
- 22 Vis de réglage du carburateur
- 23 Pompe à carburant
- 24 Autocollant d'information et d'avertissement
- 25 Vis de tendeur de chaîne
- 26 Fourreau protecteur du guide-chaîne
- 27 Clé universelle
- 28 Huile deux temps
- 29 Manuel d'utilisation (EPA)

Sommaire

INTRODUCTION

Cher client,	27
Symboles sur la machine:	27
Quels sont les composants de la tronçonneuse?	28

SOMMAIRE

Sommaire	28
----------------	----

INSTRUCTIONS GÉNÉRALES DE SÉCURITÉ

Mesures à prendre avant de mettre en usage une tronçonneuse neuve	29
Important!	48
Utilisez toujours votre bon sens	30
Équipement de protection personnelle	30
Équipement de sécurité de la machine	30
Équipement de coupe	32

MONTAGE

Montage du guide-chaîne et de la chaîne	34
---	----

MANIPULATION DU CARBURANT

Carburant	35
Remplissage de carburant	35
Sécurité carburant	36

DÉMARRAGE ET ARRÊT

Démarrage et arrêt	36
--------------------------	----

TECHNIQUES DE TRAVAIL

Avant chaque utilisation:	37
Méthodes de travail	37
Mesures anti-rebond	40

ENTRETIEN

Généralités	41
Réglage du carburateur	41
Contrôle, maintenance et entretien des équipements de sécurité de la tronçonneuse	41
Silencieux	42
Filtre à air	42
Bougie	42
Schéma d'entretien	43

CARACTÉRISTIQUES TECHNIQUES

Caractéristiques techniques	44
-----------------------------------	----

DÉCLARATION DE GARANTIE POUR LA LUTTE CONTRE LES ÉMISSIONS

VOS DROITS ET OBLIGATIONS EN GARANTIE	45
---	----

INSTRUCTIONS GÉNÉRALES DE SÉCURITÉ

Mesures à prendre avant de mettre en usage une tronçonneuse neuve

- Lisez attentivement ce manuel d'utilisation.
- (1) - (51) fait référence aux figures des p. 2-5.
- Vérifier le montage et le réglage de l'outil de coupe. Voir les instructions au chapitre Montage.
- Remplissez de carburant et démarrez la tronçonneuse. Voir les instructions aux chapitres Manipulation du carburant et Démarrage et arrêt.
- Ne pas utiliser la tronçonneuse avant que la chaîne ait reçu une quantité suffisante d'huile de chaîne. Voir les instructions au chapitre Lubrification de l'équipement de coupe.
- Une exposition prolongée au bruit risque de causer des lésions auditives permanentes. Toujours utiliser des protecteurs d'oreille agréés.



AVERTISSEMENT! Ne jamais modifier sous aucun prétexte la machine sans l'autorisation du fabricant. N'utiliser que des accessoires et des pièces d'origine. Des modifications non-autorisées et l'emploi d'accessoires non-homologués peuvent provoquer des accidents graves et même mortels, à l'utilisateur ou d'autres personnes. Votre garantie ne couvre ni les dommages ni la responsabilité qu'entraîne l'utilisation de pièces ou d'accessoires non autorisés.



AVERTISSEMENT! Utilisée de manière erronée ou négligente, la tronçonneuse peut être un outil dangereux pouvant causer des blessures personnelles graves, voire mortelles. Il importe donc de lire attentivement et de bien assimiler le contenu de ce manuel d'utilisation.



AVERTISSEMENT! L'intérieur du silencieux contient des produits chimiques pouvant être cancérigènes. Éviter tout contact avec ces éléments si le silencieux est endommagé.



AVERTISSEMENT! Une inhalation prolongée des gaz d'échappement du moteur, du brouillard d'huile de chaîne et de la poussière de copeaux peut constituer un danger pour la santé.



AVERTISSEMENT! Le système d'allumage de cette machine génère un champ électromagnétique durant le fonctionnement de la machine. Ce champ peut dans certains cas perturber le fonctionnement des pacemakers. Pour réduire le risque de blessures graves ou mortelles, les personnes portant des pacemakers doivent consulter leur médecin et le fabricant de leur pacemaker avant d'utiliser cette machine.



AVERTISSEMENT! Ayez un extincteur à portée de main, lorsque vous utilisez une tronçonneuse.



AVERTISSEMENT! Maintenir les poignées sèches, propres et exemptes d'huile.



AVERTISSEMENT! Faire attention à l'intoxication par monoxyde de carbone. Utiliser la tronçonneuse seulement dans des endroits bien aérés.



AVERTISSEMENT! Ne pas tenter d'émonder ou d'ébrancher un arbre sur pied sauf si vous êtes spécialement formé pour la faire.

Important!

IMPORTANT!

La machine est conçue pour le sciage du bois seulement.

Utilisez seulement les combinaisons guide-chaîne/chaîne recommandées au chapitre Caractéristiques techniques.

N'utilisez jamais la machine si vous êtes fatigué, avez bu de l'alcool ou pris des médicaments susceptibles d'affecter votre vue, votre jugement ou la maîtrise de votre corps.

Utiliser les équipements de protection personnelle. Voir au chapitre Équipement de protection personnelle.

Ne modifiez jamais cette machine de façon à ce qu'elle ne soit plus conforme au modèle d'origine et n'utilisez jamais une machine qui semble avoir été modifiée.

Ne jamais utiliser une machine qui n'est pas en parfait état de marche. Suivre dans ce manuel d'utilisation les instructions de maintenance, de contrôle et d'entretien. Certaines mesures de maintenance et d'entretien doivent être confiées à un spécialiste dûment formé et qualifié. Voir au chapitre Entretien.

N'utiliser que les accessoires recommandés dans ce manuel. Voir les chapitres Équipement de coupe et Caractéristiques techniques.

REMARQUE! Utilisez toujours des lunettes de protection ou une visière faciale pour vous protéger d'une éventuelle projection d'objet. Une tronçonneuse peut projeter avec violence des objets, de la sciure et de petits morceaux de bois par exemple. Il peut en résulter des blessures graves, surtout au niveau des yeux.



AVERTISSEMENT! Faire tourner un moteur dans un local fermé ou mal aéré peut causer la mort par asphyxie ou empoisonnement au monoxyde de carbone.

INSTRUCTIONS GÉNÉRALES DE SÉCURITÉ



AVERTISSEMENT! Un équipement de coupe inapproprié ou une mauvaise combinaison guide-chaîne/chaîne augmente le risque de rebond ! N'utilisez que les combinaisons chaîne et guide-chaîne recommandées et respectez les instructions d'affûtage. Voir les instructions au chapitre Caractéristiques techniques.

Utilisez toujours votre bon sens (2)

Il est impossible de prévoir toutes les situations que vous pouvez rencontrer lorsque vous utilisez une tronçonneuse. Soyez toujours prudent et utilisez votre bon sens. Évitez les situations que vous n'êtes pas sûr de maîtriser. Si, après avoir lu ces instructions, vous n'êtes toujours pas sûr de la procédure à suivre, demandez conseil à un expert avant de poursuivre. N'hésitez pas à prendre contact avec votre revendeur ou avec nous si vous avez des questions sur l'utilisation de la tronçonneuse. Nous sommes à votre disposition et vous conseillons volontiers pour vous aider à mieux utiliser votre tronçonneuse en toute sécurité. N'hésitez pas à suivre une formation sur l'utilisation des tronçonneuses. Votre revendeur, votre établissement de formation forestière et votre bibliothèque peuvent vous renseigner sur le matériel de formation et les cours disponibles. Nous travaillons en permanence à l'amélioration de la conception et de la technique, des améliorations qui augmentent votre sécurité et votre efficacité. Rendez régulièrement visite à votre revendeur pour vous tenir au courant des nouveautés qui peuvent vous être utiles.

Équipement de protection personnelle



AVERTISSEMENT! La plupart des accidents surviennent quand la chaîne de la tronçonneuse touche l'utilisateur. Un équipement de protection personnelle homologué doit impérativement être utilisé lors de tout travail avec la machine. L'équipement de protection personnelle n'élimine pas les risques mais réduit la gravité des blessures en cas d'accident. Demander conseil au concessionnaire afin de choisir un équipement adéquat.

- Casque de protection homologué
- Protecteur d'oreilles
- Lunettes protectrices ou visière
- Gants protecteurs anti-chaîne
- Pantalon avec protection anti-chaîne
- Bottes avec protection anti-chaîne, embout acier et semelle antidérapante
- Une trousse de premiers secours doit toujours être disponible.
- Extincteur et pelle

Porter des vêtements près du corps et ne risquant pas de gêner les mouvements.

IMPORTANT! Des étincelles peuvent être produites par le silencieux, le guide-chaîne ou la chaîne par exemple. Veillez à toujours disposer des outils nécessaires à l'extinction d'un feu. Vous pouvez ainsi éviter des feux de forêt.

Équipement de sécurité de la machine

Cette section traite des équipements de sécurité de la machine et de leur fonction. Pour le contrôle et l'entretien, voir les instructions au chapitre Contrôle, maintenance et entretien des équipements de sécurité de la tronçonneuse. Voir le chapitre Quels sont les composants? pour savoir où se trouvent équipements sur la machine.

La durée de vie de la machine risque d'être écourtée et le risque d'accidents accru si la maintenance de la machine n'est pas effectuée correctement et si les mesures d'entretien et/ou de réparation ne sont pas effectuées de manière professionnelle. Pour obtenir de plus amples informations, contacter l'atelier de réparation le plus proche.



AVERTISSEMENT! N'utilisez jamais une machine dont les équipements de sécurité sont défectueux. Les équipements de sécurité doivent être contrôlés et entretenus. Voir les instructions au chapitre Contrôle, maintenance et entretien des équipements de sécurité de la tronçonneuse. Si les contrôles ne donnent pas un résultat positif, faites réparer votre machine par un atelier d'entretien.

Frein de chaîne avec arceau protecteur

Votre tronçonneuse est équipée d'un frein de chaîne conçu pour arrêter la chaîne en cas de rebond. Le frein de chaîne réduit le risque d'accidents, mais seul l'utilisateur peut prévenir les accidents.

Observer la plus grande prudence en utilisant la tronçonneuse et s'assurer que la zone de rebond du guide-chaîne ne touche rien.

- Le frein de chaîne (A) est activé soit manuellement (de la main gauche), soit avec la fonction d'inertie. (3)
- Pousser l'arceau (B) vers l'avant pour activer le frein de chaîne. (3)
- Ce mouvement actionne un mécanisme à ressort qui tend le ruban du frein (C) autour du système d'entraînement de la chaîne (D) (le tambour d'embrayage). (4)
- L'arceau protecteur ne déclenche pas seulement le frein de chaîne. Il réduit aussi le risque que la main gauche ne se blesse à la chaîne en cas de perte de la prise sur la poignée avant.
- Le frein de chaîne doit être activé quand la tronçonneuse est démarrée pour empêcher que la chaîne ne se mette à tourner.
- Utilisez le frein de chaîne comme 'frein de stationnement' au démarrage et lors de courts déplacements, pour éviter une mise en marche involontaire de la tronçonneuse et les accidents.
- Tirer l'arceau vers l'arrière contre la poignée avant pour désactiver le frein de chaîne.
- Un rebond peut être rapide et très violent. Toutefois la plupart des rebonds sont courts et n'activent pas nécessairement le frein de chaîne. Dans ce cas, tenir fermement la tronçonneuse et ne pas la lâcher.
- Le mode d'activation du frein de chaîne (manuel ou automatique par inertie) dépend de l'ampleur du rebond

INSTRUCTIONS GÉNÉRALES DE SÉCURITÉ

et de la position de la tronçonneuse par rapport à l'objet rencontré par la zone de danger du guide.

Si le rebond est violent et si la zone de danger du guide se trouve loin de l'utilisateur, le frein de chaîne est activé par le contrepoids (inertie) du frein de chaîne dans le sens du rebond.

En cas de rebond moins violent ou si, en raison de la situation de travail, la zone de danger du guide est proche de l'utilisateur, le frein de chaîne est activé manuellement par la main gauche.

- En position d'abattage, la main gauche se trouve dans une position qui rend l'activation manuelle du frein de chaîne impossible. Dans cette position, quand la main gauche ne peut pas agir sur le mouvement de la protection anti-rebond, le frein de chaîne ne peut être activé que par inertie.

Ma main active-t-elle toujours le frein de chaîne en cas de rebond?

Non. Il faut une certaine force pour pousser la protection anti-rebond vers l'avant. Si votre main ne fait qu'effleurer la protection anti-rebond ou glisse dessus, la force peut ne pas suffire pour déclencher le frein de chaîne. Vous devez aussi tenir fermement la poignée de la tronçonneuse quand vous travaillez. Ainsi, vous ne lâchez peut être jamais la poignée avant en cas de rebond et n'activez pas le frein de chaîne, ou n'activez pas le frein de chaîne avant que la tronçonneuse n'ait eu le temps de tourner sur une certaine distance. Dans un tel cas, il se peut que le frein de chaîne n'ait pas le temps d'arrêter la chaîne avant qu'elle ne vous heurte.

Certaines positions de travail empêchent aussi votre main d'atteindre la protection anti-rebond pour activer le frein de chaîne, quand la tronçonneuse est tenue en position d'abattage par exemple.

L'inertie du frein de chaîne est-elle toujours activée en cas de rebond?

Non. Le frein doit fonctionner. Il est facile de tester le frein, voir les instructions au chapitre Contrôle, maintenance et entretien des équipements de sécurité de la tronçonneuse. Nous vous recommandons de le faire avant chaque journée de travail. Le rebond doit aussi être suffisamment violent pour activer le frein de chaîne. Si le frein de chaîne était trop sensible, il serait continuellement activé, ce qui serait gênant.

Le frein de chaîne me protège-t-il toujours des blessures en cas de rebond?

Non. Tout d'abord, votre frein doit fonctionner pour assurer la protection souhaitée. Ensuite, il doit être activé comme décrit ci-dessus pour arrêter la chaîne en cas de rebond. Pour finir, le frein de chaîne peut être activé mais si le guide-chaîne est trop près de vous, le frein peut ne pas avoir le temps de ralentir et arrêter la chaîne avant que la tronçonneuse ne vous heurte.

La seule façon d'éviter les rebonds et le danger qu'ils représentent est de faire attention et d'utiliser une méthode de travail correcte.

Blocage de l'accélération

Le blocage de l'accélération est conçu pour empêcher toute activation involontaire de la commande de l'accélération. Quand le cliquet (A) est enfoncé dans la poignée (= quand l'utilisateur tient la poignée), la commande de l'accélération (B) est libérée. Lorsque la poignée est relâchée, la commande de l'accélération et le blocage de

l'accélération reviennent à leurs positions initiales. Cette position signifie que la commande d'accélération est alors automatiquement bloquée sur le ralenti. (5)

Capteur de chaîne

Le capteur de chaîne est construit pour rattraper une chaîne qui a sauté ou s'est brisée. Dans la plupart des cas, ces situations peuvent être évitées par une tension correcte de la chaîne (voir le chapitre Montage) et en entretenant correctement le guide et la chaîne (voir le chapitre Méthodes de travail).

Protection de la main droite

La protection de la main droite protège la main si la chaîne saute ou se casse et empêche les branchettes et brindilles de gêner la prise sur la poignée arrière.

Système anti-vibrations

La machine est équipée d'un système anti-vibrations conçu pour assurer une utilisation aussi confortable que possible.

Le système anti-vibrations réduit la transmission des vibrations de l'unité moteur/l'équipement de coupe à l'unité que constituent les poignées. Le corps de la tronçonneuse, y compris l'équipement de coupe, est suspendu à l'unité poignées par l'intermédiaire de blocs anti-vibrants.

Le sciage de bois durs (la plupart des feuillus) produit davantage de vibrations que celui des bois tendres (la plupart des conifères). Si la chaîne est mal affûtée ou défectueuse (type inadéquat ou affûtage défectueux), le taux de vibrations augmente.



AVERTISSEMENT! Une exposition excessive aux vibrations peut entraîner des troubles circulatoires ou nerveux chez les personnes sujettes à des troubles cardio-vasculaires. Consultez un médecin en cas de symptômes liés à une exposition excessive aux vibrations. De tels symptômes peuvent être: engourdissement, perte de sensibilité, chatouillements, picotements, douleur, faiblesse musculaire, décoloration ou modification épidermique. Ces symptômes affectent généralement les doigts, les mains ou les poignets. Ces symptômes peuvent être accentués par le froid.

Bouton d'arrêt

Le bouton d'arrêt est utilisé pour arrêter le moteur.

Silencieux

Le silencieux est conçu pour réduire le niveau sonore et détourner les gaz d'échappement loin de l'utilisateur.



AVERTISSEMENT! Les gaz d'échappement du moteur sont très chauds et peuvent contenir des étincelles pouvant provoquer un incendie. Par conséquent, ne jamais démarrer la machine dans un local clos ou à proximité de matériaux inflammables!

Dans les régions chaudes et sèches, les risques d'incendie sont élevés. Ces régions disposent parfois d'une législation spécifique qui exige que le silencieux (entre autres) soit équipé d'une grille antifeu (A). (6)

INSTRUCTIONS GÉNÉRALES DE SÉCURITÉ

REMARQUE! Un silencieux devient très chaud en cours d'utilisation et le reste après l'arrêt. Cela est également vrai pour le régime au ralenti. Soyez très attentif aux risques d'incendie, surtout quand vous manipulez des gaz et/ou des substances inflammables.



AVERTISSEMENT! N'utilisez jamais une tronçonneuse dont le silencieux est absent ou défectueux. Si le silencieux est défectueux, le niveau sonore et le risque d'incendie augmentent considérablement. Veillez à disposer des outils nécessaires à l'extinction d'un feu. N'utilisez jamais une tronçonneuse dont la grille antiflamme est absent ou défectueux si une grille antiflamme est obligatoire dans la zone où vous travaillez.

Équipement de coupe

Cette section explique comment, grâce à l'utilisation du bon équipement de coupe et grâce à un entretien correct:

- Réduire le risque de rebond de la machine.
- Réduit le risque de saut ou de rupture de chaîne.
- Permet des performances de coupe optimales.
- Augmenter la durée de vie de l'équipement de coupe.
- Évite l'augmentation du niveau de vibration.

Règles élémentaires

- **N'utiliser que l'équipement de coupe recommandé!** Voir les instructions au chapitre Caractéristiques techniques.
- **Veiller à ce que les dents de la chaîne soient toujours bien affûtées! Suivre les instructions et utiliser le gabarit d'affûtage recommandé.** Une chaîne émoussée ou endommagée augmente le risque d'accidents.
- **Veillez à travailler avec une épaisseur de copeau correcte! Suivez les instructions et utilisez le gabarit d'épaisseur de copeau recommandé.** Une épaisseur de copeau trop importante augmente le risque de rebond.
- **Veiller à ce que la chaîne soit toujours bien tendue!** Une tension de chaîne insuffisante augmente le risque de rupture de chaîne ainsi que l'usure du guide, de la chaîne et du pignon.
- **Maintenir l'équipement de coupe bien lubrifié et bien entretenu!** Un équipement insuffisamment lubrifié augmente le risque de rupture de chaîne ainsi que l'usure du guide, de la chaîne et du pignon.

Équipement de coupe anti-rebond



AVERTISSEMENT! Un équipement de coupe inapproprié ou une mauvaise combinaison guide-chaîne/chaîne augmente le risque de rebond ! N'utilisez que les combinaisons chaîne et guide-chaîne recommandées et respectez les instructions d'affûtage. Voir les instructions au chapitre Caractéristiques techniques.

La seule manière d'éviter un rebond est de s'assurer que la zone de danger du nez du guide n'entre jamais en contact avec un objet.

L'utilisation d'un équipement de coupe avec fonction anti-rebond "intégrée" et un affûtage et un entretien corrects de la chaîne permettent de réduire les effets de rebond.

Guide-chaîne

Plus le rayon du nez est petit, plus la tendance au rebond est petite.

Chaîne

Une chaîne comporte un certain nombre de maillons, tant en modèle standard qu'en version anti-rebond.

IMPORTANT! Aucune chaîne n'élimine le risque de rebond.



AVERTISSEMENT! Chaque contact avec une chaîne en rotation peut entraîner des blessures graves.

Terminologie concernant le guide-chaîne et la chaîne

Afin de maintenir toutes les fonctions de sécurité sur l'équipement de coupe, vous devez remplacer les combinaisons chaîne/guide-chaîne usées ou abimées par un guide-chaîne et une chaîne recommandés par Husqvarna. Voir le chapitre Caractéristiques techniques pour les combinaisons chaîne/guide-chaîne recommandées.

Guide-chaîne

- Longueur (pouces/cm)
- Nombre de dents par pignon (T).
- Pas de chaîne (=pitch) (pouces). Le pignon du nez et le pignon d'entraînement doivent correspondre à l'espace entre les maillons.
- Nombre de maillons entraîneurs (pce). La longueur du guide, le pas de chaîne et le nombre de dents au pignon donnent un nombre déterminé de maillons entraîneurs.
- Jauge du guide-chaîne (mm/pouces). Celle-ci doit correspondre à la jauge des maillons entraîneurs de la chaîne.
- Trou de graissage de chaîne et trou du tendeur de chaîne. Le guide-chaîne doit correspondre au modèle de tronçonneuse.

Chaîne

- Pas de chaîne (=pitch) (pouces)
- Jauge du maillon entraîneur (mm/pouces)
- Nombre de maillons entraîneurs (pce)

Affûtage et réglage de l'épaisseur du copeau de la chaîne



AVERTISSEMENT! Toujours porter des gants lors de travail avec la chaîne afin de protéger les mains contre les blessures.

Généralités concernant l'affûtage des dents

- N'utilisez jamais une tronçonneuse dont les dents sont émoussées. Les dents de la chaîne sont considérées comme émoussées quand il faut forcer sur l'équipement de coupe pour qu'il traverse le bois et quand les copeaux sont très petits. Une chaîne très émoussée ne produit pas de copeaux du tout, seulement de la poudre de bois.
- Une chaîne bien affûtée avance tout seule dans le bois, laissant de gros et longs copeaux.
- La partie coupante de la chaîne consiste en un maillon coupant qui comporte une dent (A) et un limiteur d'épaisseur de copeau (B). La distance verticale entre ces éléments détermine la profondeur de coupe. (7)

Quatre dimensions doivent être prises en compte lors de l'affûtage d'une dent.

INSTRUCTIONS GÉNÉRALES DE SÉCURITÉ

- 1 Angle d'affûtage
- 2 Angle d'impact
- 3 Position de la lime
- 4 Diamètre de la lime ronde

Il est très difficile d'affûter correctement une chaîne de tronçonneuse sans outils spéciaux. Nous recommandons donc d'utiliser notre gabarit d'affûtage qui assure un affûtage permettant une réduction du risque de rebond et des performances de coupe optimales.

Vous trouverez les informations nécessaires pour l'affûtage de la chaîne de votre tronçonneuse au chapitre Caractéristiques techniques.



AVERTISSEMENT! La tendance au rebond augmente considérablement si les instructions d'affûtage ne sont pas respectées.

Affûtage de la dent

Pour affûter une dent, une lime ronde et un gabarit d'affûtage sont nécessaires. Vous trouverez des informations sur le diamètre de lime ronde et le gabarit d'affûtage recommandés pour la chaîne de votre tronçonneuse au chapitre Caractéristiques techniques.

- S'assurer que la chaîne est tendue. Une tension insuffisante rend la chaîne instable latéralement, gênant ainsi l'affûtage de la chaîne.
- Toujours limer de l'intérieur de la dent vers l'extérieur. Soulager la lime sur le mouvement de retour. Commencer par limer toutes les dents du même côté, retourner la tronçonneuse et limer de l'autre côté.
- Limer de manière à amener toutes les dents à la même hauteur. Si la hauteur de dent est inférieure à 4 mm (0,16"), la chaîne est usée et doit être remplacée. (8)

Généralités sur le réglage de l'épaisseur du copeau

- Quand la dent est affûtée, l'épaisseur du copeau (=profondeur de coupe) diminue. Pour conserver une capacité de coupe maximale, le limiteur d'épaisseur du copeau doit être abaissé au niveau recommandé. Voir l'épaisseur de copeau recommandée pour la chaîne de votre tronçonneuse au chapitre Caractéristiques techniques.



AVERTISSEMENT! Une épaisseur de copeau excessive augmente la tendance au rebond de la chaîne!

Réglage de l'épaisseur du copeau

- Le réglage de l'épaisseur du copeau doit être effectué sur des dents nouvellement affûtées. Nous recommandons de régler l'épaisseur du copeau tous les trois affûtages de chaîne. REMARQUE! Cette recommandation suppose que les dents n'ont pas été anormalement réduites lors de l'affûtage.
- Pour le réglage de l'épaisseur du copeau, une lime plate et un gabarit d'épaisseur sont nécessaires. Nous vous recommandons d'utiliser notre gabarit d'affûtage pour l'épaisseur afin d'obtenir l'épaisseur souhaitée et le bon angle pour le limiteur d'épaisseur du copeau.
- Mettez le gabarit d'affûtage sur la chaîne. Vous trouverez des informations sur l'utilisation du gabarit d'affûtage sur l'emballage. Utilisez une lime plate pour retirer l'excès sur la partie qui dépasse du limiteur d'épaisseur du copeau. L'épaisseur est correcte quand vous pouvez passer la lime sur le gabarit sans ressentir de résistance.

Tension de la chaîne



AVERTISSEMENT! Une tension insuffisante de la chaîne augmente le risque que la chaîne saute et donc de blessures graves, voire mortelles.



AVERTISSEMENT! Toujours porter des gants de protection homologués. Même une chaîne immobile peut blesser gravement la personne qui la heurte.

Plus on utilise une chaîne, plus elle s'allonge. L'équipement de coupe doit être réglé après une telle altération. La tension de la chaîne doit être contrôlée après chaque plein d'essence. REMARQUE! Une nouvelle chaîne exige une période de rodage durant laquelle il faudra vérifier la tension plus souvent.

En règle générale, il faut tendre la chaîne au maximum, mais pas au point de ne plus pouvoir la faire tourner manuellement. (9)

- Dévisser les écrous du guide-chaîne fixant le carter d'embrayage/frein de chaîne. Utiliser une clé universelle. Resserrer ensuite les écrous du guide-chaîne à fond manuellement. (10)
- Soulever le nez du guide et tendre la chaîne en serrant la vis du tendeur de chaîne avec la clé universelle. Tendre la chaîne jusqu'à ce qu'elle ne soit plus molle sous le guide. (11)
- Avec la clé universelle, serrer les écrous du guide-chaîne tout en tenant levé le nez du guide. S'assurer que la chaîne peut tourner manuellement et ne pend pas sous le guide. (12)

Lubrification de l'équipement de coupe



AVERTISSEMENT! Une lubrification insuffisante de l'équipement de coupe augmente le risque de rupture de chaîne et donc de blessures graves, voire mortelles.

Huile de chaîne de tronçonneuse

L'huile de chaîne doit bien adhérer à la chaîne et posséder d'excellentes qualités de fluidité par tous les temps, aussi bien en été qu'en hiver.

En tant que constructeur de tronçonneuses, nous avons développé une huile de chaîne optimale à base d'huiles végétales. Nous recommandons l'utilisation de cette huile pour une durée de vie maximale de la chaîne et pour la protection de l'environnement. Si notre huile de chaîne n'est pas disponible, nous recommandons l'utilisation d'une huile de chaîne ordinaire.

Ne jamais utiliser de l'huile usagée! Cela représente un danger pour vous, pour la machine et pour l'environnement.



IMPORTANT! Si de l'huile de chaîne végétale est utilisée, démontez et nettoyez la gorge du guide-chaîne et la chaîne avant de les remiser pour une période prolongée. Si vous ne le faites pas, l'huile de chaîne risque de s'oxyder et la chaîne pourrait se raidir et le pignon du nez gripper.

INSTRUCTIONS GÉNÉRALES / MONTAGÉ

Remplissage d'huile de chaîne

- Toutes nos tronçonneuses sont dotées d'un dispositif de lubrification automatique de la chaîne. Certains modèles ont également un débit réglable.
- Le réservoir d'huile de chaîne et le réservoir de carburant sont dimensionnés pour que le carburant prenne fin avant l'huile de chaîne.

Cette fonction de sécurité suppose l'utilisation d'une huile de chaîne appropriée (une huile trop fluide viderait le réservoir d'huile avant l'essence), un réglage correct du carburateur (un réglage trop pauvre empêcherait le carburant de s'épuiser avant l'huile) et un équipement de coupe bien choisi (un guide-chaîne long demande davantage d'huile de chaîne).

Contrôle de la lubrification de la chaîne

- Vérifier la lubrification à chaque plein d'essence. Voir les instructions au chapitre Lubrification du pignon de nez du guide-chaîne.
Diriger le nez du guide sur un objet fixe clair à une distance de 20 cm (8 pouces). Après 1 minute de marche à 3/4 de régime, l'objet clair doit nettement présenter un film d'huile en forme de ruban.

En cas de mauvais fonctionnement de la lubrification de la chaîne:

- Vérifier que le canal de graissage du guide-chaîne est bien ouvert. Le nettoyer au besoin.
- S'assurer que la gorge du guide est propre. La nettoyer au besoin.
- Vérifier que le pignon du nez tourne librement et que l'orifice de graissage est propre. Nettoyer et graisser au besoin.

Si, après les contrôles et mesures ci-dessus, la lubrification de la chaîne n'est toujours pas satisfaisante, s'adresser obligatoirement à un atelier spécialisé.

Pignon d'entraînement

Le tambour d'embrayage est équipé d'un pignon droit (le pignon de chaîne est soudé sur le tambour).

Vérifier régulièrement le degré d'usure du pignon. Le remplacer en cas d'usure excessive. Le pignon doit être remplacé en même temps que la chaîne.

Contrôle de l'usure de l'équipement de coupe

Vérifier quotidiennement l'état de la chaîne et s'assurer:

- Que les rivets et les maillons ne comportent pas de fissures.
- Que la chaîne n'est pas raide.
- Que les rivets et les maillons ne sont pas anormalement usés.

Jetez la chaîne si un des points ci-dessus est vérifié.

Il est recommandé de comparer avec une chaîne neuve pour évaluer le degré d'usure.

Si la hauteur de dent est inférieure à 4 mm (0,16 pouce), la chaîne est usée et doit être remplacée.

Guide-chaîne

Vérifier régulièrement:

- Qu'il n'y a pas de bavures sur les côtés extérieurs de la gorge. Les limer au besoin. (13)
- Que la gorge du guide n'est pas anormalement usée. Remplacer le guide si nécessaire. (14)
- Que le nez n'est pas anormalement ou irrégulièrement usé. Si un creux s'est formé à l'extrémité du rayon du nez (bord inférieur), la chaîne n'était pas suffisamment tendue.
- Retourner le guide quotidiennement pour assurer une durée de vie optimale.



AVERTISSEMENT! La plupart des accidents surviennent quand la chaîne de la tronçonneuse touche l'utilisateur.

Utiliser les équipements de protection personnelle. Voir au chapitre Équipement de protection personnelle.

L'utilisateur se doit d'éviter tous les travaux pour lesquels il se sent mal préparé. Voir aux chapitres Équipement de protection personnelle, Mesures anti-rebond, Équipement de coupe et Méthodes de travail.

Éviter les situations susceptibles de provoquer des rebonds. Voir le chapitre Équipement de sécurité de la machine.

Utiliser les équipements de coupe recommandés et en vérifier le bon état. Voir le chapitre Méthodes de travail.

Vérifier le bon fonctionnement des équipements de sécurité de la tronçonneuse. Voir aux chapitres Méthodes de travail et Instructions générales de sécurité.

Montage du guide-chaîne et de la chaîne



AVERTISSEMENT! Tout contrôle et/ou entretien doit être effectué avec le moteur à l'arrêt. L'interrupteur d'arrêt se remet automatiquement en position de démarrage. Toujours retirer le chapeau de bougie de la bougie lors du montage, contrôle et/ou entretien, afin d'éviter tout démarrage accidentel.

Toujours porter des gants lors de travail avec la chaîne afin de protéger les mains contre les blessures.

S'assurer que le frein de chaîne ne s'est pas déclenché en amenant l'arceau protecteur contre l'étrier de la poignée avant. Déposer les écrous du guide-chaîne et le carter d'embrayage (frein de chaîne). Déposer la protection de transport. (A)(15) Positionner le guide-chaîne sur les écrous et l'amener à sa position la plus reculée. Placer la chaîne sur le pignon d'entraînement et dans la gorge du guide-chaîne. Commencer par le dessus du guide. (16)

S'assurer que la face tranchante des dents est vers l'avant sur le dessus du guide. Monter le carter d'embrayage (frein de chaîne) et localiser le goujon de tension de la chaîne dans la rainure du guide. S'assurer que les maillons d'entraînement de la chaîne s'engagent dans le pignon et que la chaîne est correctement placée dans la rainure du guide. Serrer les écrous du guide à la main. (17)

Tendre la chaîne en tournant la vis du tendeur de chaîne vers la droite à l'aide de la clé universelle. Tendre la chaîne jusqu'à ce qu'elle ne pend plus sous le guide. Voir les instructions à la section Tension de la chaîne. (18)

La chaîne est tendue correctement quand elle ne pend plus sous le guide et peut être avancée à la main sans difficulté. Serrer les écrous du guide à l'aide de la clé universelle tout en maintenant levé le pignon du guide. (19)

La tension d'une chaîne neuve doit être vérifiée fréquemment pendant son rodage. Vérifier régulièrement la tension. Une tension correcte est synonyme de bonne capacité de coupe et de longue durée de vie. (20)

MANIPULATION DU CARBURANT

Carburant

Remarque! La machine est équipée d'un moteur deux temps et doit toujours être alimentée avec un mélange d'essence et d'huile deux temps. Afin d'assurer un rapport de mélange correct, il est important de mesurer avec précision la quantité d'huile à mélanger. Pour le mélange de petites quantités de carburant, même de petites erreurs au niveau de la quantité d'huile affectent sérieusement le rapport du mélange.



AVERTISSEMENT! Veiller à une bonne aération pendant toute manipulation de carburant.

Essence

- Utiliser une essence de qualité, sans plomb.
- L'indice d'octane le plus bas recommandé est de 87 ((RON+MON)/2). Si le moteur utilise une essence d'un indice d'octane inférieur à 87, des cognements risquent de se produire. Ceci résulte en une augmentation de la température du moteur et une charge élevée au niveau des paliers pouvant causer de graves avaries moteur.
- Pour les travaux utilisant un régime élevé continu (l'élagage, par ex.), il est recommandé d'utiliser un taux d'octane supérieur.

Rodage

La conduite à un régime trop élevé pendant de longues périodes doit être évitée pendant les 10 premières heures.

Huile deux temps

- Pour obtenir un fonctionnement et des résultats optimaux, utiliser une huile moteur deux temps HUSQVARNA fabriquée spécialement pour nos moteurs deux temps à refroidissement à air.
- Ne jamais utiliser d'huile deux temps pour moteurs hors-bord refroidis par eau, appelée huile outboard (désignation TCW).
- Ne jamais utiliser d'huile pour moteurs à quatre temps.

Rapport de mélange

1:50 (2%) pour tous les moteurs.

Essence, litres	Huile deux temps, litres
	2% (1:50)
5	0,10
10	0,20
15	0,30
20	0,40
US gallon	US fl. oz.
1	2 1/2
2 1/2	6 1/2
5	12 7/8

Mélange

- Mélangez toujours l'essence et l'huile dans un récipient propre approuvé pour l'essence.
- Toujours commencer par verser la moitié de l'essence à mélanger. Verser ensuite la totalité de l'huile. Mélanger en secouant le récipient. Enfin, verser le reste de l'essence.

- Mélanger (secouer) soigneusement le mélange avant de faire le plein du réservoir de la machine.
- Ne jamais préparer plus d'un mois de consommation de carburant à l'avance.
- Si la machine n'est pas utilisée pendant une longue période, vidanger et nettoyer le réservoir.

Huile pour chaîne

- Il est recommandé d'utiliser une huile spéciale (huile pour chaîne) possédant de bonnes qualités d'adhérence pour la lubrification.
- Ne jamais utiliser d'huile usagée. Ceci endommagerait la pompe à huile, le guide-chaîne et la chaîne.
- Il est important d'utiliser une huile adaptée à la température de l'air (viscosité appropriée).
- Les températures inférieures à 0°C rendent certaines huiles visqueuses. Ceci peut causer une surcharge de la pompe à huile, endommageant les pièces de la pompe.
- Contacter l'atelier spécialisé pour obtenir des conseils sur le choix d'une huile de chaîne adéquate.

Remplissage de carburant



AVERTISSEMENT! Les mesures de sécurité ci-dessous réduisent le risque d'incendie:

Ne fumez jamais ni ne placez d'objet chaud à proximité du carburant.

Arrêter le moteur et le laisser refroidir pendant quelques minutes avant de faire le plein.

Ouvrir le bouchon du réservoir lentement pour laisser baisser la surpression pouvant régner dans le réservoir.

Serrer soigneusement le bouchon du réservoir après le remplissage.

Toujours éloigner la machine de l'endroit où le plein a été fait avant de la mettre en marche.

Essuyer le pourtour des bouchons des réservoirs. Nettoyer régulièrement les réservoirs de carburant et d'huile pour chaîne. Remplacer le filtre à carburant au moins une fois par an. Des impuretés dans les réservoirs sont causes de mauvais fonctionnement. Veiller à obtenir un mélange homogène en secouant le récipient avant de remplir le réservoir. Les contenances des réservoirs de carburant et d'huile pour chaîne sont adaptées l'une à l'autre. Toujours faire le plein des réservoirs de carburant et d'huile à la même occasion.



AVERTISSEMENT! Le carburant et les vapeurs de carburant sont extrêmement inflammables. Observer la plus grande prudence en manipulant le carburant et l'huile de chaîne. Penser au risque d'explosion, d'incendie ou d'empoisonnement.

Sécurité carburant

- Ne jamais effectuer le remplissage de la machine lorsque le moteur tourne.
 - Veiller à une bonne aération lors du remplissage et du mélange de carburant (essence et huile 2 temps).
 - Avant de mettre la machine en marche, la déplacer à au moins 3 mètres de l'endroit où a été fait le plein.
 - Ne jamais démarrer la machine:
- 1 Si du carburant ou de l'huile de chaîne ont été répandus sur la machine. Essuyer soigneusement toute trace et laisser les restes d'essence s'évaporer.
 - 2 Si vous avez renversé du carburant sur vous ou sur vos vêtements, changez de vêtements. Lavez les parties du corps qui ont été en contact avec le carburant. Utilisez de l'eau et du savon.
 - 3 S'il y a fuite de carburant. Vérifier régulièrement que le bouchon du réservoir et la conduite de carburant ne fuient pas.



AVERTISSEMENT! N'utilisez jamais une machine présentant des dommages visibles sur la protection de bougie et sur le câble d'allumage. Des étincelles pourraient être générées et provoquer un incendie.

Transport et rangement

- Remiser la tronçonneuse et le carburant de sorte que ni fuites ni émanations ne puissent entrer en contact avec une étincelle ou flamme. Par exemple machines électriques, moteurs électriques, contacteurs ou interrupteurs électriques, chaudières, etc.
- Lors du remisage du carburant, n'utiliser que des récipients spécialement destinés à contenir du carburant.
- En cas de longues périodes de remisage ou de transport de la tronçonneuse, les réservoirs de carburant et d'huile devront être vidés. Pour se débarrasser du surplus, s'adresser à la station-service la plus proche.
- Avant de remiser la machine pour une période prolongée, veiller à ce qu'elle soit bien nettoyée et que toutes les mesures d'entretien aient été effectuées.
- La protection pour le transport doit toujours être montée sur l'équipement de coupe au cours du transport et du remisage de la machine, pour éviter tout contact involontaire avec la chaîne acérée. Même une chaîne immobile peut blesser gravement la personne qui la heurte.

Remisage prolongé

Videz les réservoirs de carburant et d'huile dans un endroit bien aéré. Conservez le carburant dans des bidons approuvés dans un endroit sûr. Montez la protection du guide-chaîne. Nettoyez la machine. Voir les instructions au chapitre Schéma d'entretien.

Démarrage et arrêt



AVERTISSEMENT! Contrôler les points suivants avant la mise en marche:

Le frein de chaîne doit être activé lors du démarrage de la tronçonneuse afin de réduire le risque de contact avec la chaîne en rotation.

Ne pas démarrer la tronçonneuse si le guide, la chaîne et tous les capots ne sont pas montés. Sinon, l'embrayage risque de se détacher et de causer des blessures personnelles.

Placer la machine sur un support stable. Veiller à adopter une position stable et à ce que la chaîne ne puisse pas entrer en contact avec quoi que ce soit.

Veiller à ce qu'aucune personne non autorisée ne se trouve dans la zone la travail.

Moteur froid

Démarrage: Le frein de chaîne doit être activé lors du démarrage de la tronçonneuse. Activer le frein de chaîne en poussant l'arceau protecteur vers l'avant. (21)

Starter: Tirez au maximum sur la commande du starter / gaz de démarrage bleue (jusqu'à la position FULL CHOKE). Quand le levier du starter/de ralenti est totalement tiré, le réglage de l'accélération est ajusté automatiquement. (22)

Ralenti accéléré: Un ralenti accéléré combiné au starter est obtenu quand la commande est en position de starter. (23)

Pompe à carburant: Appuyer sur la poche en caoutchouc de la pompe à carburant plusieurs fois jusqu'à ce que le carburant commence à remplir la poche. Il n'est pas nécessaire de remplir la poche complètement. (24)

Moteur chaud

Procédez comme pour le moteur froid mais sans amener la commande du starter sur la position de starter. On obtient l'accélération de démarrage en tirant la commande du starter bleue en position de starter et en la repoussant sur sa position initiale. (25)

Démarrage

Saisir la poignée avant avec la main gauche. Placer le pied droit sur la partie inférieure de la poignée arrière et appuyer la tronçonneuse sur le sol. Prendre la poignée du lanceur, tirer lentement avec la main droite jusqu'à sentir une résistance (les cliquets se mettent en prise) et tirer plusieurs fois rapidement et avec force jusqu'au démarrage du moteur. **Ne jamais enrouler la corde du lanceur autour de la main.** (26)

REMARQUE! Ne pas sortir complètement la corde du lanceur et ne pas lâcher la poignée avec la corde du lanceur complètement sortie. Cela pourrait endommager la machine.

Appuyez immédiatement sur la commande du starter une fois que le moteur s'allume, ce qui se fait entendre par un bruit de poussée. Continuez à tirer sur la corde avec des coups secs jusqu'à ce que le moteur démarre. (27)

Le frein de chaîne étant encore activé, le régime du moteur doit être mis sur le ralenti le plus vite possible en appuyant une fois sur la commande du starter. De cette façon, vous évitez une usure inutile du couplage, du tambour d'embrayage et de la bande de frein.

Remarque! Réinitialiser le frein de chaîne en poussant la protection anti-rebond (marqué "PULL BACK TO RESET") contre l'étrier de la poignée. La tronçonneuse est maintenant prête à être utilisée. Le bord arrière de la tronçonneuse(A) comporte un rappel simple des instructions de démarrage avec des illustrations décrivant les différentes étapes. (28)



AVERTISSEMENT! Une inhalation prolongée des gaz d'échappement du moteur, du brouillard d'huile de chaîne et de la poussière de copeaux peut constituer un danger pour la santé.

- Ne jamais démarrer une tronçonneuse tant que le guide, la chaîne et tous les capots n'ont pas été mis en place correctement. Voir les instructions au chapitre Montage. Si le guide et la chaîne ne sont pas montés sur la tronçonneuse, l'accouplement peut se détacher et causer des dommages graves. (29)
- Le frein de chaîne doit être activé quand la tronçonneuse est démarrée. Voir les instructions au chapitre Démarrage et arrêt. Ne démarrez jamais la tronçonneuse en l'air. Cette méthode est très dangereuse car il est facile de perdre le contrôle de la tronçonneuse. (30)
- Ne jamais mettre la machine en marche à l'intérieur. Les gaz d'échappement du moteur sont nocifs.
- S'assurer que la zone de travail est bien dégagée et qu'aucune personne et aucun animal ne risquent d'entrer en contact avec l'équipement de coupe.
- Tenez toujours la tronçonneuse à deux mains. Tenez la main droite sur la poignée arrière et la main gauche sur la poignée avant. **Tous les utilisateurs, droitiers et gauchers, doivent la tenir ainsi.** Tenez fermement en entourant la poignée de la tronçonneuse avec les pouces et les autres doigts. (31)

Arrêt

Le moteur s'arrête lorsque l'on appuie sur le bouton d'arrêt. (32)

Avant chaque utilisation: (33)

- 1 Contrôler que le frein de chaîne fonctionne correctement et n'est pas endommagé.
- 2 Contrôler que la protection arrière de la main droite n'est pas endommagée.
- 3 Contrôler que le blocage de l'accélération fonctionne correctement et n'est pas endommagé.
- 4 Contrôlez que l'interrupteur d'arrêt fonctionne correctement et est en bon état.
- 5 Contrôler que toutes les poignées ne comportent pas d'huile.

- 6 Contrôler que le système anti-vibrations fonctionne correctement et n'est pas endommagé.
- 7 Contrôler que le silencieux est bien attaché et qu'il n'est pas endommagé.
- 8 Contrôler que tous les éléments de la tronçonneuse sont serrés et qu'ils ne sont ni endommagés ni absents.
- 9 Contrôler que le capteur de chaîne est bien en place et qu'il n'est pas endommagé.
- 10 Contrôlez la tension de la chaîne.

Méthodes de travail

IMPORTANT!

Ce chapitre concerne les mesures élémentaires de sécurité en utilisant la tronçonneuse. Mais aucune information ne peut remplacer l'expérience et le savoir-faire de l'opérateur. En cas de doute ou de difficulté, il est recommandé de s'adresser à un spécialiste, soit le concessionnaire habituel, soit l'atelier le plus proche, soit enfin un professionnel expérimenté (consulter l'annuaire du téléphone à la rubrique exploitation forestière). Éviter tout emploi de la tronçonneuse pour lequel on ne se sent pas suffisamment qualifié!

Avant d'utiliser la tronçonneuse, il convient de comprendre le phénomène de rebond et de savoir comment l'éviter. Voir au chapitre Mesures anti-rebond.

Avant d'utiliser la tronçonneuse, il faut connaître les différences entre les deux méthodes de sciage: sciage avec la partie supérieure ou sciage avec la partie inférieure de la chaîne. Voir les instructions aux chapitres Mesures anti-rebond et Équipement de sécurité de la machine.

Utiliser les équipements de protection personnelle. Voir au chapitre Équipement de protection personnelle.

Règles élémentaires de sécurité

- 1 Bien observer la zone de travail:
- S'assurer qu'aucune personne, aucun animal ou aucun autre facteur ne risque de gêner l'utilisateur de la machine.
- S'assurer que les susnommés ne risquent pas d'entrer en contact avec la chaîne de la tronçonneuse ou d'être blessés par la chute de l'arbre coupé.

REMARQUE! Observer les règles ci-dessus mais ne jamais utiliser une tronçonneuse sans s'assurer la possibilité de pouvoir appeler à l'aide en cas d'accident.

- 2 Ne pas travailler par mauvais temps: brouillard épais, pluie diluvienne, vent violent, grand froid, etc. Travailler par mauvais temps est cause de fatigue et peut même être dangereux: sol glissant, direction de chute d'arbre modifiée, etc.
- 3 Observer la plus grande prudence en élaguant les petites branches et éviter de scier un bosquet (ou plusieurs branchettes en même temps). Les branchettes peuvent se coincer dans la chaîne, être projetées vers l'utilisateur et causer des blessures personnelles graves.
- 4 S'assurer de pouvoir se tenir et se déplacer en toute sécurité. Repérer les éventuels obstacles en cas de déplacement imprévu: souches, pierres, branchages, fondrières, etc. Observer la plus grande prudence lors de travail sur des terrains en pente.
- 5 Observer la plus grande prudence lors de l'abattage des arbres sous tension. Avant et après le sciage, les arbres sous tension risquent de brutalement retrouver

leur position initiale. Un mauvais placement de l'utilisateur ou de l'entaille d'abattage peut entraîner un choc avec l'arbre pouvant résulter en une chute ou en une perte du contrôle de la machine. Ces deux cas de figure sont susceptibles de provoquer des blessures graves.

- 6 Pour se déplacer, bloquer la chaîne avec le frein de chaîne et couper le moteur. Porter la tronçonneuse avec le guide et la chaîne tournés vers l'arrière. Pour un transport prolongé, utiliser le fourreau du guide-chaîne.
- 7 Quand vous posez la tronçonneuse par terre, bloquez la chaîne avec le frein de chaîne et veillez à toujours voir la machine. Coupez toujours le moteur en cas de 'stationnement' prolongé.

Règles élémentaires

1 En comprenant en quoi consiste et comment se produit un rebond, il est possible de limiter et même d'éliminer l'effet de surprise qui augmente le risque d'accident. La plupart des rebonds sont courts, mais certains peuvent être extrêmement rapides et violents.

2 Toujours tenir la tronçonneuse fermement des deux mains, la main droite sur la poignée arrière, la gauche sur la poignée avant. Tenir les poignées solidement avec les doigts et le pouce. Toujours tenir la tronçonneuse dans cette position, que l'on soit droitier ou gaucher. Une prise solide aide à maîtriser les rebonds et à mieux contrôler la tronçonneuse. **Ne pas lâcher les poignées!**

3 La plupart des accidents dus à un rebond se produisent lors de l'élagage. Se tenir fermement sur les jambes et s'assurer que la zone de travail est bien dégagée pour ne pas risquer de trébucher ou de perdre l'équilibre.

Par manque d'attention, la zone de rebond du nez du guide peut buter sur une souche, un rondin, une branche ou un arbre voisin et occasionner un rebond. Gardez le contrôle de la pièce de travail. Si les pièces que vous sciez sont petites et légères, elles peuvent se coincer dans la chaîne et être projetées sur vous. Même si cela n'est pas dangereux en soi, vous pouvez être surpris et perdre le contrôle de la tronçonneuse. Ne sciez jamais des branches ou des billes empilées sans les séparer. Sciez seulement une bille ou un morceau à la fois. Retirez les morceaux sciés pour que votre zone de travail reste sûre.

4 **Ne jamais se servir de la tronçonneuse à un niveau trop élevé, plus haut que les épaules, et éviter de couper avec la pointe du guide-chaîne. Ne jamais tenir la tronçonneuse d'une seule main! (34)**

5 Afin de conserver le contrôle de la tronçonneuse, toujours conserver une position stable. Ne jamais travailler sur une échelle, dans un arbre ou sur tout autre support ne garantissant pas une bonne sécurité. (35)

6 Toujours travailler à la vitesse maximale, c'est à dire à plein régime.

7 Observer la plus grande prudence en utilisant le tranchant supérieur du guide-chaîne, c'est à dire en sciant la pièce par en dessous (de bas en haut). Ceci s'appelle travailler en poussée. La force réactionnelle de la chaîne pousse la tronçonneuse vers l'utilisateur. Si la chaîne se coince, la tronçonneuse peut être rejetée contre vous.

8 Il importe de résister à la poussée en arrière du guide-chaîne. En effet, si le guide-chaîne est repoussé suffisamment en arrière pour que la zone de rebond du

nez se trouve en contact avec l'arbre, un rebond peut se produire. (36)

Le tronçonnage avec la partie inférieure de la chaîne, c'est à dire par dessus (de haut en bas), s'appelle méthode "poussée". La tronçonneuse est attirée vers l'arbre et le bord avant de la tronçonneuse devient un appui naturel contre l'arbre. Dans ce cas, l'utilisateur contrôle mieux à la fois sa tronçonneuse et la zone de rebond du nez.

- 9 Suivre les instructions du fabricant relatives à l'affûtage et à l'entretien. Lors du remplacement du guide et de la chaîne, n'utiliser que les combinaisons chaîne et guide-chaîne recommandées. Voir aux chapitres Équipement de coupe et Caractéristiques techniques.

Technique de base pour la coupe



AVERTISSEMENT! N'utilisez jamais une tronçonneuse en la tenant d'une seule main. Il n'est pas possible de contrôler correctement une tronçonneuse d'une seule main. Tenez toujours fermement les poignées des deux mains.

Généralités

- Toujours travailler à plein régime!
- Mettre le moteur au ralenti après chaque coupe (la maintenance du régime maximal hors charge, c'est à dire sans que le moteur ait à supporter le travail de la chaîne, risque d'endommager gravement le moteur).
- Scier de haut en bas = méthode "tirée"
- Scier de bas en haut = méthode "poussée".

Scier en utilisant la méthode "poussée" implique un risque accru de rebond. Voir au chapitre Mesures anti-rebond.

Terminologie

Sciage = consiste à scier le tronc de part en part.

Élagage = consiste à ébrancher un arbre abattu.

Fendage = consiste à casser la pièce avant que l'entaille ne soit terminée.

Avant toute opération de sciage, observer les cinq facteurs suivants:

- 1 Ne pas coincer l'outil de coupe dans l'entaille.
- 2 Ne pas casser la pièce en cours de sciage.
- 3 La chaîne ne doit rencontrer ni le sol ni tout autre obstacle pendant ou après le sciage.
- 4 Y a-t-il risque de rebond?
- 5 L'aspect du site et du terrain peut-il gêner la sécurité de la position de travail et des déplacements?

Si la chaîne se coince ou si la pièce à scier se casse, cela dépend de deux raisons: le support de la pièce avant et après le sciage et l'état de tension de la pièce.

Il est en général possible d'éviter les inconvénients indiqués ci-dessus en effectuant le sciage en deux temps, soit de haut en bas, soit de bas en haut. Il s'agit alors de neutraliser la tendance naturelle de la pièce à coincer la chaîne ou à se fendre.

IMPORTANT! Si la chaîne se coince dans l'entaille, couper immédiatement le moteur! Ne pas tirer sur la tronçonneuse pour la dégager afin de ne pas se blesser à la chaîne au moment où la tronçonneuse se décroince subitement. Utiliser un bras de levier pour décroincer la tronçonneuse.

La liste suivante indique comment se tirer des situations les plus couramment rencontrées par les utilisateurs de tronçonneuses.

Élagage

Lors de l'élagage de branches épaisses, procéder comme pour le sciage ordinaire.

Couper les branches gênantes par étapes, une par une.

Sciage



AVERTISSEMENT! N'essayez jamais de scier des billes empilées ou serrées les unes contre les autres. Vous augmenteriez considérablement le risque de rebond et de blessures graves et même mortelles.

Si vous avez une pile de billes, chaque bille à scier doit être retirée du tas, placée sur un chevalet ou un autre support approprié et être sciée séparément.

Retirez les morceaux sciés de la zone de travail. Si vous les laissez dans la zone de travail, vous augmentez le risque de rebond accidentel et le risque de perdre l'équilibre quand vous travaillez.

Le tronc est couché à même le sol. Il n'y a aucun risque de coincage de la chaîne ou de fendage de la pièce à scier. Par contre, il existe un risque important que la chaîne rencontre le sol après le sciage.

Couper le tronc de haut en bas. Faire attention à la fin de l'entaille pour éviter que la chaîne ne rencontre le sol.

Maintenir le plein régime et se préparer à toute éventualité. (37)

Si cela est possible (= s'il est possible de retourner le tronc), interrompre de préférence l'entaille aux 2/3 du tronc.

Retourner le tronc de manière à pouvoir couper le 1/3 restant de haut en bas.

Une extrémité du tronc repose sur un support. Risque important de fendage.

Commencer par couper le tronc par en bas (environ 1/3 du diamètre).

Finir la coupe par en haut, de manière que les deux traits de coupe se rencontrent.

Les deux extrémités du tronc reposent sur des supports. Risque important de coincage de la chaîne.

Commencer par couper le tronc par le haut (environ 1/3 du diamètre).

Finir la coupe par en dessous, de manière que les traits de coupe se rencontrent.

Techniques d'abattage

IMPORTANT! L'abattage d'un arbre demande beaucoup d'expérience. Un utilisateur non expérimenté ne doit pas effectuer d'abattages. L'utilisateur se doit d'éviter toute utilisation qu'il ne maîtrise par suffisamment!

Distance de sécurité

La distance de sécurité à respecter entre un arbre à abattre et le lieu de travail doit être d'au moins 2 1/2 fois la hauteur de l'arbre. Veiller à ce que personne ne se trouve dans la "zone dangereuse" avant et pendant l'abattage. (38)

Sens d'abattage

Le but consiste à placer l'arbre abattu de façon à ce que l'ébranchage et le tronçonnage ultérieurs du tronc puissent être effectués sur un terrain aussi favorable que possible.

Chercher à sécuriser au maximum la position de travail.

Après avoir décidé du sens d'abattage de l'arbre, déterminer dans quel sens l'arbre aura tendance à s'abattre naturellement.

Les facteurs déterminants sont:

- L'inclinaison
- La courbure
- La direction du vent
- La densité des branches
- Le poids éventuel de la neige
- Obstacles autour de l'arbre: d'autres arbres, des lignes électriques, des routes et des bâtiments par exemples.
- Observez si l'arbre est abîmé ou pourri, car il risque alors de se rompre et de commencer à tomber plus tôt que prévu.

Cette estimation peut amener à juger plus prudent de laisser l'arbre tomber dans son sens naturel de chute, soit que le sens d'abattage décidé auparavant soit impossible à obtenir, soit qu'il constitue un danger.

Un autre facteur important (qui n'a aucune incidence sur le sens d'abattage mais concerne la sécurité), est la présence éventuelle de branches mortes ou abîmées qui, en se détachant, risquent de provoquer des blessures.

Il convient avant tout éviter que l'arbre abattu ne s'accroche à un autre arbre. Décrocher un arbre coincé dans un autre peut s'avérer très dangereux et présente un grand risque diaccident. Voir les instructions au chapitre Solution à un abattage raté.

IMPORTANT! Lors de délicates opérations d'abattage, les protecteurs d'oreilles devront être retirés dès la fin du tronçonnage afin que tout bruit ou signal d'avertissement puisse être entendu.

Émondage des branches basses et voie de retraite

Ébranchez le tronc jusqu'à hauteur d'épaule. Pour des raisons de sécurité, il est préférable de travailler de haut en bas avec le tronc entre la tronçonneuse et vous.

Dégager les taillis autour du tronc et éviter les obstacles tels que pierres, branches cassées, fondrières, etc. pour s'assurer d'une voie de retraite facile au moment de la chute. La voie de retraite doit être à 135° derrière le sens de chute prévu de l'arbre. (39)

Abattage



AVERTISSEMENT! Il est déconseillé aux utilisateurs non expérimentés d'abattre un arbre dont le diamètre du tronc est supérieur à la longueur du guide-chaîne!

L'abattage est constitué de trois entailles. On procède d'abord à l'encoche qui comprend une entaille supérieure et une entaille inférieure, puis à l'abattage proprement dit grâce au trait de chute. Un emplacement correct de ces entailles permet de déterminer le point de chute de l'arbre de manière très précises.

Encoche

Pour effectuer l'encoche, commencer par l'entaille supérieure. Se tenir à droite de l'arbre en utilisant la méthode tirée.

Effectuer ensuite l'entaille inférieure de façon que les deux entailles correspondent. (40)

L'encoche doit faire 1/4 du diamètre du tronc et l'angle entre les deux entailles doit être d'au moins 45°.

La ligne de jointure entre les deux entailles s'appelle le trait de chute. Le trait de chute doit être horizontal et former un angle de 90° avec le sens de chute prévu. (41)

Trait de chute

Le trait de chute se fait de l'autre côté du tronc et doit être parfaitement horizontal. Se tenir à gauche de l'arbre et utiliser la méthode tirée.

Placer le trait de chute à environ 3-5 cm (1,5-2 pouces) au-dessus du plan horizontal de l'encoche. (42)

Le trait de chute doit s'achever parallèlement à l'encoche, l'espace entre les deux étant 1/10 du diamètre du tronc. La partie non coupée du tronc s'appelle la charnière.

La charnière guide le tronc dans la direction de chute. (43)

Le contrôle de la direction de chute de l'arbre fonctionne mal si la charnière est trop petite ou coupée trop profondément ou si les deux entailles ne coïncident pas.

Une fois l'encoche et le trait de chute terminés, l'arbre commence à tomber de lui-même ou à l'aide d'un coin ou d'un bras de levier.

Nous recommandons une longueur de guide-chaîne supérieure au diamètre du tronc, pour que le trait de chute et l'encoche soient réalisés d'un simple trait de scie. Vous trouverez des informations sur les longueurs de guide-chaîne recommandées pour votre modèle de tronçonneuse au chapitre Caractéristiques techniques. Il existe des méthodes d'abattage spécifiques pour les troncs dont le diamètre est supérieur à la longueur du guide-chaîne. Ces méthodes comportent un risque important de choc entre la zone de rebond du guide-chaîne et un objet.

Solution à un abattage raté

Récupération d'un arbre accroché

Décrocher un arbre coincé dans un autre peut s'avérer très dangereux et présente un grand risque d'accident.

N'essayez jamais de faire tomber un arbre qui s'est coincé dans un autre.

Ne travaillez jamais sous un arbre abattu resté coincé dans un autre arbre.

Le plus sûr est d'utiliser un treuil.

- Monté sur tracteur
- Mobile

Sciage d'un arbre ou d'une branche pliés

Préparations: Apprécier la direction dans laquelle l'arbre ou la branche est susceptible de se détendre, ainsi que son point de rupture (en cas de flexion supplémentaire).

S'assurer de pouvoir agir sans risque et déterminer si une solution de toute sécurité est possible. En cas de difficulté, le plus sûr moyen est de ne pas se servir de la tronçonneuse et d'avoir recours à un treuil.

Règles générales:

Se placer de façon à ne pas se trouver dans la trajectoire de la branche/de l'arbre lors de la détente.

Faire plusieurs entailles à proximité du point de rupture en nombre et de profondeur suffisants pour libérer la tension

dans la branche/l'arbre et donc provoquer la cassure de la branche/de l'arbre au point de rupture.

Ne jamais scier de part en part un arbre ou une branche pliés!

Si vous devez scier à travers l'arbre/la branche, faites trois coupes de 3 à 5 cm de profondeur à 3 cm d'intervalle.

Continuez à scier plus profondément jusqu'à ce que la tension de l'arbre/la branche se libère.

Sciez l'arbre/la branche sur le côté opposé une fois la tension libérée.

Mesures anti-rebond



AVERTISSEMENT! Un rebond peut-être soudain, rapide et violent et renvoyer la tronçonneuse, le guide-chaîne et la chaîne en direction de l'utilisateur. Si la chaîne est alors en rotation, les blessures encourues sont graves et quelquefois mortelles. Il convient donc de comprendre les raisons d'un rebond afin de pouvoir éviter ce phénomène grâce à une bonne méthode de travail et un comportement prudent.

Qu'est-ce qu'un rebond?

Un rebond est la réaction de recul qui peut se produire quand le quart supérieur du nez du guide-chaîne (la zone de rebond) touche un objet quelconque. (44)

Le rebond se produit toujours dans le plan du guide-chaîne. En général, tronçonneuse et guide-chaîne sont relevés simultanément en direction de l'utilisateur. Néanmoins, la direction du rebond peut varier suivant la position de la tronçonneuse au moment où la zone de rebond du guide-chaîne touche un objet quelconque.

Le rebond ne peut se produire que quand la pointe ou nez du guide-chaîne (zone de rebond) touche un objet quelconque. (45)

Élagage



AVERTISSEMENT! La plupart des accidents de rebond se produisent lors de l'ébranchage. N'utilisez pas la zone de rebond du guide. Soyez très prudent et évitez que le nez du guide n'entre en contact avec la bille, d'autres branches ou d'autres objets. Soyez particulièrement prudent avec les branches sous tension. Elles peuvent revenir vers vous et vous faire perdre le contrôle, ce qui pourrait entraîner des blessures.

Se tenir bien d'aplomb et en position sûre. Travailler depuis la gauche du tronc. Se tenir aussi proche que possible de la tronçonneuse pour mieux la maîtriser. Si possible, prendre appui sur le tronc avec le corps de la tronçonneuse.

Ne se déplacer qu'avec le tronc entre soi et la tronçonneuse.

Tronçonnage en rondins

Voir les instructions au chapitre Technique de base pour la coupe.

Généralités

L'utilisateur ne peut effectuer que les travaux d'entretien et de révision décrits dans ce manuel d'utilisation. Les mesures plus importantes doivent être effectuées dans un atelier d'entretien agréé.

Réglage du carburateur

Votre produit Husqvarna a été conçu et fabriqué selon des spécifications qui visent à réduire les émissions nocives.

Fonctionnement

- Le carburateur détermine le régime du moteur via la commande de l'accélération. C'est dans le carburateur que l'air est mélangé à l'essence. Ce mélange air/essence est réglable. Pour pouvoir utiliser la puissance maximale de la machine, le réglage doit être correctement effectué.
- La vis T règle la position de la commande de l'accélération au ralenti. Si la vis T est tournée dans le sens des aiguilles d'une montre, on obtient un régime de ralenti plus haut; si elle est tournée dans le sens contraire des aiguilles d'une montre, on obtient un régime de ralenti plus bas.

Réglage de base et rodage

Le réglage de base du carburateur est effectué à l'usine. Le réglage de précision doit être effectué par un spécialiste.

Régime de ralenti recommandé: Voir le chapitre Caractéristiques techniques.

Réglage fin du ralenti T

Régler le ralenti à l'aide de la vis T. Si un réglage est nécessaire, visser d'abord la vis T à droite jusqu'à ce que la chaîne commence à tourner. Ensuite, dévisser jusqu'à l'arrêt de la chaîne. Un ralenti correctement réglé permet au moteur de tourner régulièrement dans toutes les positions en offrant une bonne marge avant la mise en rotation de la chaîne.



AVERTISSEMENT! Si le réglage de ralenti est impossible sans que la chaîne soit entraînée, contacter un atelier spécialisé compétent. Ne pas utiliser la tronçonneuse tant qu'elle n'est pas correctement réglée ou réparée.

Contrôle, maintenance et entretien des équipements de sécurité de la tronçonneuse

Remarque! L'entretien et la réparation de la machine exigent une formation spéciale, et plus particulièrement l'équipement de sécurité de la machine. Si les contrôles suivants ne donnent pas un résultat positif, nous vous recommandons de prendre contact avec votre atelier d'entretien. Tout entretien autre que celui indiqué dans ce manuel doit être effectué par un réparateur qualifié (concessionnaire).

Arrêtez le moteur et enlevez le câble de la bougie d'allumage avant toute réparation ou travail d'entretien

Frein de chaîne avec arceau protecteur

Contrôle de l'usure du ruban de frein

Nettoyer le frein de chaîne et le tambour d'embrayage (sciure, résine, saletés). La saleté et l'usure compromettent le bon fonctionnement du frein. (46)

Vérifier régulièrement le ruban qui doit avoir au moins 0,6 mm d'épaisseur à son point le plus usé.

Contrôle de l'arceau protecteur

Vérifier que l'arceau est intact et sans aucun défaut apparent tel que fissures.

Actionner l'arceau d'avant en arrière pour s'assurer qu'il se meut librement et qu'il est solidement fixé à son articulation dans le carter d'embrayage. (47)

Contrôle de la fonction d'inertie

Posez la tronçonneuse avec le moteur arrêté sur une souche ou sur toute autre base stable. Relâchez la poignée avant et laissez la tronçonneuse tomber contre la souche de son propre poids, en pivotant autour de la poignée arrière.

Dès que le nez du guide rencontre l'obstacle, le frein doit se déclencher automatiquement. (48)

Contrôle de l'effet de freinage

Placer la tronçonneuse sur une surface solide et la mettre en marche. Vérifier que la chaîne ne touche pas le sol ou tout autre obstacle. Voir les instructions au chapitre Démarrage et arrêt.

Tenir fermement la tronçonneuse des deux mains, les doigts et le pouce épousant bien les poignées.

Donner le plein régime puis activer le frein de chaîne en poussant le poignet gauche contre l'arceau protecteur. Ne pas lâcher la poignée avant. **La chaîne doit s'arrêter immédiatement.**

Blocage de l'accélération

- Vérifier d'abord que la commande de l'accélération est bloquée en position de ralenti quand le blocage de l'accélération est en position initiale.
- Appuyer sur le blocage de l'accélération et vérifier qu'il revient de lui-même en position initiale quand il est relâché.
- Vérifier que le blocage de l'accélération, la commande d'accélération et leurs ressorts de rappel fonctionnent correctement.

- Mettre la tronçonneuse en marche et accélérer au maximum. Lâcher la commande de l'accélération et s'assurer que la chaîne s'arrête et demeure immobile. Si elle tourne quand la commande est en position de ralenti, il convient de contrôler le réglage du ralenti du carburateur.

Capteur de chaîne

Vérifier que le capteur de chaîne est en bon état et qu'il est bien fixé dans le corps de la tronçonneuse.

Protection de la main droite

S'assurer que la protection de la main droite est intacte et sans défauts visibles tels que fissures, etc.

Système anti-vibrations

Vérifier régulièrement l'état des éléments afin de détecter fissures et déformations.

S'assurer que les éléments sont bien fixés entre le moteur et les poignées.

Bouton d'arrêt

Mettre le moteur en marche et s'assurer qu'il s'arrête lorsque le bouton d'arrêt est amené en position d'arrêt.

Silencieux

Ne jamais utiliser une machine dont le silencieux est défectueux. Vérifier régulièrement la fixation du silencieux dans la machine.

Remarque: La grille pare-étincelles (A) de cette machine peut être nettoyée. **(49)** Remplacer la grille si elle est endommagée. Une grille encrassée cause une surchauffe du moteur, entraînant des détériorations au niveau du cylindre et du piston. Ne jamais se servir d'une machine dont le silencieux est endommagé. **Ne jamais utiliser un silencieux sans grille antitiffame ou avec une grille antitiffame défectueux.**

Dans des conditions normales d'utilisation domestique, il n'est pas nécessaire de remplacer le silencieux et la grille pare-étincelles.

Filtre à air

Le filtre à air doit être maintenu propre pour éviter:

- Un mauvais fonctionnement du carburateur
- Des problèmes de démarrage
- Une perte de puissance
- Une usure prématurée des éléments du moteur
- Une consommation anormalement élevée de carburant
- Retirer le filtre à air (3) après avoir enlevé le capot du cylindre, la vis (1) et le capot de filtre à air (2). Lors du remontage, vérifier que le filtre à air est bien étanche contre le support de filtre. Nettoyer le filtre en le brossant ou en le secouant. **(50)**

Pour un nettoyage plus sérieux, laver le filtre à l'eau savonneuse.

Un filtre ayant servi longtemps ne peut plus être complètement nettoyé. Le filtre à air doit donc être remplacé à intervalles réguliers. **Tout filtre endommagé doit être remplacé immédiatement.**

Bougie

L'état de la bougie dépend de:

- L'exactitude du réglage du carburateur.
- Mauvais mélange de l'huile dans le carburant (trop d'huile ou huile inappropriée).
- La propreté du filtre à air.

Ces facteurs peuvent concourir à l'apparition de calamine sur les électrodes, ce qui à son tour entraîne un mauvais fonctionnement du moteur et des démarrages difficiles.

Si la puissance de la machine est trop faible, si la machine est difficile à mettre en marche ou si le ralenti est irrégulier, toujours commencer par contrôler l'état de la bougie avant de prendre d'autres mesures. Si la bougie est encrassée, la nettoyer et vérifier que l'écartement des électrodes est de 0,5 mm. Remplacer la bougie une fois par mois ou plus souvent si nécessaire.

Remarque! Toujours utiliser le type de bougie recommandé! Une bougie incorrecte peut endommager le piston/le cylindre. S'assurer que la bougie est dotée d'un antiparasites.

ENTRETIEN

Schéma d'entretien

La liste ci-dessous indique l'entretien à effectuer sur la machine. La plupart des points sont décrits à la section Entretien.

Entretien quotidien (Tous les 5-10 h)	Entretien hebdomadaire (Tous les 10-25 h)	Entretien mensuel (Tous les 25-40 h)
Nettoyer l'extérieur de la machine.	Contrôler le démarreur, son lanceur et son ressort.	Inspectez le degré d'usure du ruban de freinage du frein de chaîne. Remplacez-le quand les parties les plus usées sont inférieures à 0,6 mm.
Vérifier que les composants de la commande de l'accélération fonctionnent correctement en ce qui concerne la sécurité. (Blocage de l'accélération et commande de l'accélération.)	S'assurer que les amortisseurs ne sont pas endommagés.	Inspecter le degré d'usure du moyeu, du tambour d'embrayage et du ressort d'embrayage.
Nettoyer le frein de chaîne et en contrôler le bon fonctionnement. S'assurer que le capteur de chaîne est en bon état, le remplacer si nécessaire.	Limer les bavures éventuelles sur les côtés du guide-chaîne.	Nettoyer la bougie. Vérifier l'écartement des électrodes (0,5 mm).
Retourner le guide-chaîne tous les jours afin de répartir l'usure. S'assurer que le trou de lubrification n'est pas obturé. Nettoyer la gorge de la chaîne. Lubrifier la roulette si le guide en comporte une.	Nettoyer le compartiment du carburateur.	Nettoyer l'extérieur du carburateur.
S'assurer que le guide et la chaîne sont correctement alimentés en huile.	Nettoyer le filtre à air. Le remplacer si nécessaire.	Vérifier que le tuyau à carburant ne présente pas de fissures et qu'il n'est pas endommagé. Le remplacer au besoin.
Vérifier que les rivets et les maillons de la chaîne sont dépourvus de fissures, que la chaîne n'est pas raide et que les rivets et les maillons ne sont pas anormalement usés. Remplacer au besoin.		Vider le réservoir de carburant et le nettoyer à l'intérieur.
Affûter la chaîne et en contrôler la tension et l'état général. Examiner le pignon d'entraînement de la chaîne et le remplacer s'il est usé.		Vider le réservoir d'huile et le nettoyer à l'intérieur.
Nettoyer la prise d'air du lanceur.		Inspecter tous les câbles et connexions.
S'assurer que toutes les vis et tous les écrous sont bien serrés.		
Contrôler le bon fonctionnement du contacteur d'arrêt.		
Vérifier qu'il n'y a pas de fuite de carburant du moteur, du réservoir ou des conduits de carburant.		

CARACTÉRISTIQUES TECHNIQUES

Caractéristiques techniques

	235	240
Moteur		
Cylindrée, po ³ /cm ³	2,3/38	2,3/38
Course, po/mm	1,26/32	1,26/32
Régime de ralenti, tr/min	3000	3000
Puissance, kW	1,3	1,5
Période de durabilité des émissions selon la commission californienne chargée de la qualité de l'air.	125	125
Système d'allumage		
Bougie	Champion RCJ 7Y	Champion RCJ 7Y
Écartement des électrodes, po/mm	0,020/0,5	0,020/0,5
Système de graissage/de carburant		
Contenance du réservoir de carburant, pint/litres	0,63/0,3	0,63/0,3
Débit de la pompe à huile à 8500 tr/min, ml/min	7	7
Contenance du réservoir d'huile, pint/litre	0,4/0,19	0,4/0,19
Type de pompe à huile	Automatique	Automatique
Poids		
Tronçonneuse sans guide, ni chaîne et avec réservoirs vides, lb/kg	10,3/4,7	10,3/4,7
Chaîne/guide-chaîne		
Longueur de guide standard, pouces/cm	14-18 / 35-45	14-18 / 35-45
Longueurs de guide recommandées, pouces/cm	14-18 / 35-45	14-18 / 35-45
Longueur de coupe utile, pouces/cm	13,5/34, 15,5/39	13,5/34, 15,5/39
Vitesse de chaîne à puissance maxi, m/s	17,1	17,1
Pas, pouces/mm	0,375/9,5	0,375/9,5
Épaisseur au maillon d'entraînement, pouces/mm	0,050/1,3	0,050/1,3
Nombre de dents par pignon	6	6

CARACTÉRISTIQUES TECHNIQUES

ÉQUIPEMENT DE COUPE RECOMMANDÉ POUR CANADA

Ce qui suit est une liste de combinaisons recommandées pour utilisation sur les Class 1A et 1B tronçonneuses. Les combinaisons de moteur, guide-chaîne et chaîne ont été élaborées en fonction des normes CSA Z62.1-95 pour tronçonneuses et Z62.3-96 en ce qui concerne l'effet de rebond des tronçonneuses.


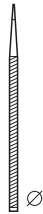
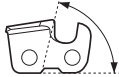
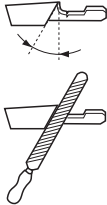

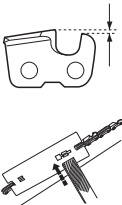
Le rayon de la pointe du guide-chaîne est déterminé soit par le nombre maximal de dents de la roue dentée de la pointe, soit par le rayon de pointe maximal correspondant à un guide-chaîne massive.

Du fait que nous ayons listé les rayons maximums des guide-chaîne, vous pouvez utiliser un guide-chaîne avec un rayon de pointe inférieur à ceux de notre liste. Pour les guide-chaîne de mêmes longueurs, toutes les guide-chaîne à pointe à roue dentée et ayant le même nombre de dents peuvent être considérés comme ayant des valeurs énergétiques de rebond équivalentes.

Un guide-chaîne à pointe dure de même longueur et avec un nombre de dents identique à un guide-chaîne muni d'une pointe à roue dentée peut être considéré comme ayant une valeur énergétique de rebond équivalente ou inférieure à celle du guide-chaîne muni d'une pointe à roue dentée.

Pour les remplacements, nous vous recommandons d'utiliser les guide-chaîne et chaînes listés, ou la chaîne de type C, "Low-Kickback".

Guide-chaîne				Chaîne	
Longueur, pouces	Pas, pouches	Épaisseur au maillon d'entraînement, pouces/mm	Rayon de nez maximal	Type	Longueur, maillons entraîneurs (pce)
14	3/8	0.050/1,3	7 T	H37 / 91PX	52
16	3/8	0.050/1,3	7 T	H37 / 91PX	56
18	3/8	0.050/1,3	7 T	H37 / 91PX	62

					
	inch/mm				inch/mm
H37, 91PX	5/32 / 4,0	80°	30°	0°	0.025/0,65

IMPORTANT: Ce produit est conforme à la réglementation de la Phase 3 de l'Agence de Protection de l'Environnement des États-Unis (EPA) en ce qui touche les émissions d'échappement et d'évaporation. Pour assurer la conformité à la Phase 3 de l'EPA, nous recommandons le recours à des pièces de remplacement d'origine Husqvarna uniquement. L'utilisation de pièces de remplacement non conformes est une infraction à la législation fédérale.

VOS DROITS ET OBLIGATIONS EN GARANTIE

L'EPA (Environmental Protection Agency, l'agence de protection de l'environnement des États-Unis), le CARB (California Air Resources Board : direction des ressources atmosphériques de Californie), Environnement Canada et Husqvarna Forest & Garden sont heureux de détailler pour vous la garantie du système antipollution de votre petit moteur hors route 2015-2016*. Aux États-Unis et au Canada, les petits moteurs hors route doivent être conçus, fabriqués et équipés de manière à respecter les normes strictes fédérales ou californiennes antipollution applicables. Husqvarna Forest & Garden doit garantir les systèmes de contrôle antipollution de votre petit moteur hors route pendant la période figurant sur la liste ci-dessous à condition que votre petit moteur hors route ne présente aucun signe d'abus, de négligence ou d'entretien inapproprié. Votre système de contrôle antipollution peut comprendre des pièces telles qu'un carburateur, un système d'injection de carburant, un système d'allumage, un pot catalytique, des réservoirs de carburant, des canalisations d'essence, des bouchons de réservoir de carburant, des clapets, des absorbeurs, des filtres, des durites de vapeur, des pinces, des connecteurs et d'autres composants associés reliés aux émissions. Pour les moteurs inférieurs ou égaux à 80 centimètres cubes, seul le réservoir de carburant doit répondre aux exigences de la garantie de contrôle des émissions d'évaporation de carburant de cette section (Californie uniquement). Si la garantie est applicable, Husqvarna Forest & Garden s'engage à réparer votre petit moteur à ses frais, diagnostic, pièces et main d'oeuvre compris.

GARANTIE DU FABRICANT

Le système antipollution est garanti deux ans. Si une pièce de votre moteur liée aux émissions est défectueuse, elle doit alors être réparée ou remplacée par Husqvarna Forest & Garden.

CHARGES DE LA GARANTIE DE L'UTILISATEUR

- En tant que propriétaire d'un petit moteur, vous êtes responsable d'effectuer la maintenance décrite dans le manuel de l'utilisateur de la machine. Husqvarna Forest & Garden vous recommande de conserver toutes les factures prouvant que des mesures de maintenance ont été effectuées ; Cependant, Husqvarna Forest & Garden ne peut en aucun cas refuser une demande de prise en charge selon les termes de la garantie si les factures ne peuvent pas être produites ou si toutes les mesures de maintenance prescrites n'ont pas été effectuées.
- En tant que propriétaire d'un petit moteur, vous devez néanmoins savoir que Husqvarna Forest & Garden peut refuser votre demande en garantie si la panne du moteur ou d'un de ses composants est due à une utilisation abusive, à des négligences, à une

maintenance inappropriée ou des modifications non approuvées.

- Il vous incombe d'apporter votre moteur à un centre de distribution ou d'entretien Husqvarna Forest & Garden dès que le problème est détecté. Les réparations couvertes par la garantie doivent être effectuées dans des délais raisonnables inférieurs à 30 jours. Pour toute question relative à la couverture de votre garantie, communiquez avec Husqvarna Forest & Garden au CANADA au 1-800-805-5523, ou aux ÉTATS-UNIS au 1-800-487-5951, ou envoyez un courriel à l'adresse emissions@husqvarnagroup.com.

DATE D'ENTRÉE EN VIGUEUR DE LA GARANTIE

La période de garantie commence à la date à laquelle le moteur ou l'équipement est livré à l'acheteur final.

DURÉE DE LA GARANTIE

Husqvarna Forest & Garden garantit à l'acheteur final et à tout propriétaire ultérieur que le moteur ou l'équipement est conçu, construit et équipé conformément à toutes les réglementations applicables adoptées par EPA et CARB et qu'il ne comporte pas de défauts de matériel ou de fabrication pouvant causer la panne d'une pièce sous garantie durant une période de deux (2) ans.

CE QUI EST COUVERT PAR LA GARANTIE

RÉPARATION OU REMPLACEMENT DE PIÈCES: La réparation ou le remplacement de toute pièce sous garantie, dans le cadre de la garantie, doit être effectué sans frais pour le propriétaire dans un atelier agréé. Les révisions ou réparations couvertes par la garantie seront disponibles dans tous les centres de distribution Husqvarna Forest & Garden agréés pour l'entretien de ce type de moteur. Durant la période de garantie de deux ans des systèmes de contrôle des émissions, Husqvarna Forest & Garden s'engage à maintenir un stock adéquat des pièces sous garantie afin de répondre à la demande pour ce type de pièces.

PÉRIODE DE GARANTIE: Toute pièce sous garantie devant être remplacée conformément au calendrier de maintenance est garantie pour la période de temps précédant le premier remplacement planifié pour cette pièce. Si la pièce tombe en panne avant le premier remplacement planifié, elle sera réparée ou remplacée gratuitement par Husqvarna Forest & Garden. Toute pièce réparée ou remplacée durant la période de garantie est garantie pour le reste de la période précédant le premier remplacement planifié pour cette pièce. Toute pièce qui n'est pas supposée être remplacée comme requis dans le calendrier de maintenance est garantie deux (2) ans. Si la pièce tombe en panne durant la période de garantie, elle sera réparée ou remplacée gratuitement par Husqvarna Forest & Garden. Toute pièce réparée ou remplacée durant la période de garantie est garantie pour la période de garantie restante. Toute pièce couverte par la garantie et devant être inspectée régulièrement conformément au calendrier de maintenance, sera garantie pour une période de deux (2) ans. L'indication "réparer ou remplacer selon les besoins" dans les instructions ne limite pas la période de garantie. Toute pièce réparée ou remplacée durant la période de garantie est garantie pour la période de garantie restante.

DIAGNOSTIC: Les mesures de diagnostic permettant de déterminer le dysfonctionnement d'une pièce sous garantie ne sont pas à la charge du propriétaire à condition que ces mesures soient effectuées dans un atelier agréé selon la garantie.

DOMMAGES INDIRECTS: Husqvarna Forest & Garden est responsable des dommages aux autres composants du moteur causés par une panne de toute pièce sous garantie survenant durant la période de garantie.

LISTE DES PIÈCES GARANTIE ÉMISSIONS

- 1 Carburateur et pièces internes
- 2 Conduit d'entrée, porte-filtre du filtre à air et boulons du carburateur
- 3 Filtre à air et filtre à carburant garantis selon l'entretien prévu
- 4 Bougie garantie selon l'entretien prévu
- 5 Module d'allumage
- 6 Réservoir de carburant, conduite et bouchon

CE QUI N'EST PAS COUVERT PAR LA GARANTIE

Aucune défaillance résultant de l'abus, de la négligence et de l'entretien contraire aux instructions n'est couverte par la garantie.

AJOUT OU MODIFICATION DE PIÈCES

Des pièces supplémentaires ou modifiées qui ne sont pas acceptées par CARB ou EPA ne doivent pas être utilisées. L'utilisation de pièces supplémentaires ou modifiées non acceptées annule la garantie. Husqvarna Forest & Garden n'est pas responsable des pannes des pièces sous garantie si ces pannes sont causées par l'utilisation de pièces supplémentaires ou modifiées non acceptées.

DEMANDE D'INDEMNITÉ

Pour toute question relative à vos droits et responsabilités relativement à la garantie, communiquez avec le centre de services agréé le plus proche, appelez Husqvarna Forest & Garden au CANADA au 1-800-805-5523, ou aux ÉTATS-UNIS au 1-800-487-5951, ou bien envoyez un courriel à l'adresse emissions@husqvarnagroup.com.

SERVICE APRÈS-VENTE

Les révisions ou réparations sous garantie sont disponibles auprès de tous les revendeurs agréés Husqvarna Forest & Garden.

ENTRETIEN, REMPLACEMENT ET RÉPARATION DES PIÈCES DU SYSTÈME DE LUTTE CONTRE LES ÉMISSIONS

Les pièces de rechange utilisées pour des travaux de maintenance ou de réparation couverts par la garantie ne doivent pas être débitées au propriétaire. Une telle utilisation ne réduit pas les obligations du fabricant en matière de garantie.

DÉCLARATION D'ENTRETIEN

L'utilisateur est chargé d'effectuer l'entretien prévu tel qu'il est défini dans le Manuel de l'utilisation.

*L'année modèle courante et suivante sera mise à jour annuellement dans la déclaration de garantie fournie au consommateur. Par exemple, 2012-2013 sera spécifié pour l'année modèle 2012.

Consignes de sécurité pour les utilisateurs de tronçonneuses

(ANSI B175.1-2000 Annexe C)

Précautions à prendre pour se protéger des rebonds



AVERTISSEMENT! Un rebond peut se produire quand le nez ou l'extrémité du guide heurte un objet ou quand le bois se referme et coince la chaîne dans l'entaille.

Un contact entre l'extrémité et un objet peut engendrer un soudain mouvement de réaction vers l'arrière, repoussant le guide-chaîne vers le haut et l'arrière, en direction de l'utilisateur.

Le pincement de la chaîne le long du sommet du guide peut aussi engendrer un mouvement rapide du guide vers l'arrière, en direction de l'utilisateur.

Chacun de ces mouvements de réaction peut vous faire perdre le contrôle de la tronçonneuse et causer des blessures graves.

Ne faites pas une confiance aveugle dans les dispositifs de sécurité intégrés dans la tronçonneuse. En tant qu'utilisateur de la tronçonneuse, vous devez prendre les mesures nécessaires pour éviter tout accident et blessure au cours de vos travaux de coupe.

Avec des connaissances de base sur le phénomène du rebond, vous pouvez réduire ou éliminer l'élément de surprise. Toute surprise est par principe inattendue et contribue aux accidents.

Maintenez fermement la tronçonneuse des deux mains quand le moteur est en marche : la main droite sur la poignée arrière et la main gauche sur la poignée avant. Maintenez fermement avec les pouces et les autres doigts entourant les poignées de la tronçonneuse. Un maintien ferme vous aide à réduire le risque de rebond et à garder le contrôle de la tronçonneuse. Ne lâchez pas.

Assurez-vous de l'absence d'obstacle dans votre zone de travail. Faites attention de ne pas heurter une bille, une branche ou tout autre obstacle avec le nez du guide-chaîne quand vous utilisez la tronçonneuse.

Coupez à un régime de moteur élevé.

Ne tendez pas les bras trop loin ni ne coupez au-dessus de la hauteur de vos épaules.

Respectez les instructions de maintenance et d'affûtage du fabricant de la tronçonneuse.

N'utilisez que des chaînes et des guides de remplacement spécifiés par le fabricant ou des équivalents.

Autres consignes de sécurité



AVERTISSEMENT! N'utilisez pas une tronçonneuse en la tenant d'une seule main. Une utilisation d'une seule main peut causer des blessures graves à l'utilisateur et aux personnes se trouvant à proximité. Une tronçonneuse est prévue pour être utilisée à deux mains.

N'utilisez pas une tronçonneuse si vous êtes fatigué.

Utilisez des chaussures de sécurité, des vêtements bien ajustés, des gants de protection, des protections auditives, des lunettes de protection et un casque.

Manipulez le carburant avec précaution. Éloignez la tronçonneuse d'au moins 3 m de l'endroit où vous l'avez remplie de carburant avant de démarrer le moteur.

Personne ne doit se trouver à proximité de la tronçonneuse lors de son démarrage et de la coupe. Personnes et animaux doivent rester en dehors de la zone de travail.

Ne commencez pas à couper avant que votre zone de travail soit dégagée, avant d'avoir trouvé une position bien stable sur vos pieds et avant d'avoir identifié un chemin de retraite pour vous éloigner de l'arbre en train de tomber.

Conservez toutes les parties de votre corps à distance de la tronçonneuse quand le moteur est en marche.

Avant de démarrer le moteur, assurez-vous que la tronçonneuse n'est pas en contact avec quoi que ce soit.

Transportez la tronçonneuse avec le moteur à l'arrêt, le guide-chaîne et la chaîne vers l'arrière et le silencieux à distance de votre corps.

N'utilisez pas une tronçonneuse endommagée, mal réglée ou n'étant pas correctement assemblée. Assurez-vous que la chaîne s'arrête quand la gâchette de commande des gaz est relâchée.

Arrêtez le moteur avant de poser la tronçonneuse.

Faites preuve d'une grande précaution quand vous coupez des broussailles et de jeunes arbres car ils peuvent se prendre dans la chaîne et être projetées vers vous ou vous faire perdre l'équilibre.

Prenez garde au retour quand vous coupez une branche sous tension : elle peut vous heurter quand la tension dans les fibres du bois est relâchée.

Veillez à la propreté des poignées : elles doivent être sèches et exemptes d'huile et de mélange de carburant. Utilisez toujours la tronçonneuse dans des endroits bien aérés.

Ne coupez pas un arbre avec la tronçonneuse sans avoir reçu une formation spécifique.

N'utilisez pas la tronçonneuse au-dessus de la hauteur de vos épaules.

À part les opérations indiquées dans les instructions de maintenance et dans la section sécurité du propriétaire/utilisateur, tout entretien de la tronçonneuse doit être effectué par du personnel d'entretien compétent en matière de tronçonneuse. (Par exemple, si un outil incorrect est utilisé pour retirer le rotor volant magnétique ou pour le tenir lors du retrait de l'embrayage, le rotor volant magnétique peut subir des dommages qui entraîneront son explosion ultérieurement.)

Utilisez la protection de guide-chaîne appropriée lors de tout transport de votre tronçonneuse.

Remarque: Cette annexe est essentiellement prévue pour le consommateur et l'utilisateur occasionnel.

INTRODUCCIÓN

Apreciado cliente:

¡Felicidades por haber adquirido un producto Husqvarna! La historia de Husqvarna data del año 1689, cuando el Rey Karl XI encargó la construcción de una fábrica en la ribera del río Husqvarna para la fabricación de mosquetes. La ubicación junto al río Husqvarna era lógica, dado que el río se utilizaba para generar energía hidráulica. Durante los más de 300 años de existencia de la fábrica Husqvarna, se han fabricado productos innumerables; desde estufas de leña hasta modernas máquinas de cocina, máquinas de coser, bicicletas, motocicletas, etc. En 1956 se introdujo el primer cortacésped motorizado, seguido de la motosierra en 1959; y es en este segmento en el que actualmente trabaja Husqvarna. Husqvarna es hoy uno de los principales fabricantes del mundo de productos de bosque y jardín, con la calidad y las prestaciones como principal prioridad. La idea de negocio es desarrollar, fabricar y comercializar productos motorizados para silvicultura y jardinería, así como para las industrias de construcción y obras públicas. Husqvarna tiene como objetivo estar en la vanguardia en lo que respecta a ergonomía, facilidad de empleo, seguridad y consideración ambiental; motivo por el cual ha desarrollado una serie de detalles para mejorar los productos en estas áreas.

Estamos convencidos de que usted apreciará con satisfacción la calidad y prestaciones de nuestro producto por mucho tiempo en adelante. Con la adquisición de alguno de nuestros productos, usted dispone de asistencia profesional con reparaciones y servicio en caso de ocurrir algo. Si ha adquirido el producto en un punto de compra que no es uno de nuestros concesionarios autorizados, pregúntele por el taller de servicio más cercano.

Esperamos que su máquina le proporcione plena satisfacción y le sirva de ayuda por mucho tiempo en adelante. Tenga en cuenta que este manual de instrucciones es un documento de valor. Siguiendo sus instrucciones (de uso, servicio, mantenimiento, etcétera) puede alargar considerablemente la vida útil de la máquina e incrementar su valor de reventa. Si vende su máquina, entregue el manual de instrucciones al nuevo propietario.

¡Gracias por utilizar un producto Husqvarna!

Husqvarna AB trabaja constantemente para perfeccionar sus productos y se reserva, por lo tanto, el derecho a introducir modificaciones en la construcción y el diseño sin previo aviso.

Para la asistencia al cliente, póngase en contacto con nosotros en nuestro sitio web: www.usa.husqvarna.com

Símbolos en la máquina:

¡ATENCIÓN! ¡Las motosierras pueden ser peligrosas! Su uso descuidado o erróneo puede provocar heridas graves o mortales al operador o terceros.

Lea detenidamente el manual de instrucciones y asegúrese de entender su contenido antes de utilizar la máquina.

Utilice siempre:

- Casco protector homologado
- Protectores auriculares homologados
- Gafas protectoras o visor



El operador debe manejar la motosierra con ambas manos.



No manejar nunca una motosierra sujetándola sólo con una mano.



Debe evitarse que la punta de la espada entre en contacto con ningún objeto.



ADVERTENCIA! Debe evitarse cualquier contacto de la punta de la barra guía con cualquier objeto, ya que puede causar que la barra guía se desplace repentinamente hacia arriba y hacia atrás (las reculadas), con posibles graves heridas.



Máximo valor de kickback medido sin el freno de cadena para la combinación de barra y cadena indicada en la etiqueta.



Los demás símbolos/etiquetas que aparecen en la máquina corresponden a requisitos de homologación específicos en determinados mercados.

Etiquetas que se encuentran en la motosierra:



El período de cumplimiento de emisiones mencionado en la etiqueta de cumplimiento de emisiones indica el número de horas de funcionamiento en el que el motor ha demostrado cumplir con los requisitos federales en materia de emisiones. Categoría C = 50 horas, B = 125 horas, A = 300 horas.

El mantenimiento, sustitución o reparación de aparatos y sistemas de control de las emisiones puede efectuarlos cualquier establecimiento o individuo dedicado a la reparación de motores no de carretera.

ATTENTION!

Los gases de escape del motor de este producto contienen sustancias químicas conocidas en el Estado de California como causantes de cáncer, defectos congénitos y otros daños reproductivos.

INTRODUCCIÓN

¿Qué es qué en la motosierra? (1)

- 1 Placa de identificación
- 2 Fíador del acelerador (Impide las aceleraciones involuntarias.)
- 3 Mango delantero
- 4 Cubierta del cilindro
- 5 Protección contra reculadas
- 6 Silenciador
- 7 Apoyo de corteza
- 8 Cabezal de rueda
- 9 Empuñadura trasera con protección para la mano derecha
- 10 Acelerador
- 11 Cubierta del embrague
- 12 Captor de cadena
- 13 Espada
- 14 Cadena
- 15 Empuñadura de arranque
- 16 Depósito de aceite de cadena
- 17 Mecanismo de arranque
- 18 Depósito de combustible
- 19 Estrangulador/Bloqueo del acelerador de arranque
- 20 Mango trasero
- 21 Botón de parada (Conexión y desconexión del encendido.)
- 22 Tornillos de reglaje del carburador
- 23 Bomba de combustible
- 24 Etiqueta adhesiva de información y advertencia
- 25 Tornillo de tensado de cadena
- 26 Protección de la espada
- 27 Llave combinada
- 28 Aceite para motores de dos tiempos
- 29 Manual de instrucciones

Índice

INTRODUCCION

Apreciado cliente:	49
Símbolos en la máquina:	49
¿Qué es qué en la motosierra?	50

INDICE

Índice	27
--------------	----

INSTRUCCIONES GENERALES DE SEGURIDAD

Medidas a tomar antes de utilizar una motosierra nueva	51
Importante	51
Emplee siempre el sentido común.	51
Equipo de protección personal	52
Equipo de seguridad de la máquina	52
Equipo de corte	54

MONTAJE

Montaje de la espada y la cadena	57
--	----

MANIPULACION DEL COMBUSTIBLE

Carburante	57
Repostaje	57
Seguridad en el uso del combustible	57

ARRANQUE Y PARADA

Arranque y parada	58
-------------------------	----

TECNICA DE TRABAJO

Antes de utilizar la máquina:	59
Instrucciones generales de trabajo	59
Medidas preventivas de las reculadas	62

MANTENIMIENTO

Generalidades	61
Ajuste del carburador	62
Control, mantenimiento y servicio del equipo de seguridad de la motosierra	62
Silenciador	63
Filtro de aire	63
Bujía	63
Programa de mantenimiento	64

DATOS TECNICOS

Datos técnicos	65
----------------------	----

GARANTIA DEL SISTEMA DE CONTROL DE EMISIONES

SUS DERECHOS Y OBLIGACIONES DE GARANTIA	66
---	----

PRECAUCIONES DE SEGURIDAD DE LA NORMA AMERICANA

Precauciones de seguridad para usuarios de motosierras	69
--	----

INSTRUCCIONES GENERALES DE SEGURIDAD

Medidas a tomar antes de utilizar una motosierra nueva

- Lea detenidamente el manual de instrucciones.
- **(1) - (51)** refiérase a las figuras en p. 2-5.
- Compruebe el montaje y ajuste del equipo de corte. Vea las instrucciones bajo el título Montaje.
- Ponga combustible y arranque la motosierra. Vea las instrucciones en los capítulos Manipulación del combustible y Arranque y parada.
- No utilice la motosierra hasta que haya llegado suficiente aceite lubricante a la cadena. Lea las instrucciones bajo el título Lubricación del equipo de corte.
- La exposición prolongada al ruido puede causar daños crónicos en el oído. Por consiguiente, use siempre protectores auriculares homologados.



¡ATENCIÓN! Bajo ninguna circunstancia debe modificarse la configuración original de la máquina sin autorización del fabricante. Utilizar siempre recambios originales. Las modificaciones y/o la utilización de accesorios no autorizados pueden ocasionar accidentes graves o incluso la muerte del operador o de terceros.



¡ATENCIÓN! La utilización errónea o descuidada de una motosierra puede convertirla en una herramienta peligrosa que puede causar accidentes graves e incluso mortales. Es muy importante que lea y comprenda el contenido de este manual de instrucciones.



¡ATENCIÓN! En el interior del silenciador hay sustancias químicas que pueden ser cancerígenas. Evitar el contacto con estas sustancias si se daña el silenciador.



¡ATENCIÓN! La inhalación prolongada de los gases de escape del motor, la neblina de aceite de cadena y el polvo de serrín puede poner en riesgo la salud.



¡ATENCIÓN! El sistema de encendido de esta máquina genera un campo electromagnético durante el funcionamiento. Este campo magnético puede, en determinadas circunstancias, interferir con marcapasos. Para reducir el riesgo de lesiones graves o letales, las personas que utilizan marcapasos deben consultar con su médico y con el fabricante del marcapasos antes de emplear esta máquina.

Importante

¡IMPORTANTE!

La máquina sólo está diseñada para aserrar madera. Utilice solamente las combinaciones de espada/cadena de sierra recomendadas en el capítulo Datos técnicos.

Nunca utilice la máquina si está cansado, si ha ingerido alcohol o si toma medicamentos que puedan afectarle la vista, su capacidad de discernimiento o el control del cuerpo.

Utilice el equipo de protección personal. Vea las instrucciones bajo el título Equipo de protección personal.

No modifique nunca esta máquina de forma que se desvíe de la versión original, y no la utilice si parece haber sido modificada por otras personas.

No utilice nunca una máquina defectuosa. Siga las instrucciones de mantenimiento, control y servicio de este manual. Algunas medidas de mantenimiento y servicio deben ser efectuadas por especialistas formados y cualificados. Vea las instrucciones bajo el título Mantenimiento.

Nunca utilice otros accesorios que los recomendados en este manual. Vea las instrucciones bajo los títulos Equipo de corte y Datos técnicos.

¡NOTA! Utilice siempre gafas protectoras o visera para reducir el riesgo de daños causados por objetos lanzados. Una motosierra puede lanzar con gran fuerza objetos como virutas, trozos de madera pequeños, etc. Ello comporta riesgo de daños personales graves, especialmente en los ojos.



¡ATENCIÓN! Si se hace funcionar el motor en un local cerrado o mal ventilado, se corre riesgo de muerte por asfixia o intoxicación con monóxido de carbono.



¡ATENCIÓN! Un equipo de corte defectuoso o una combinación errónea de espada/cadena de sierra aumentan el riesgo de reculadas. Utilice solamente las combinaciones de espada/cadena de sierra recomendadas y siga las instrucciones. Vea las instrucciones bajo el título Datos técnicos.

Emplee siempre el sentido común. (2)

Es imposible abarcar todas las situaciones imaginables que se pueden producir al utilizar una motosierra. Proceda con cuidado y emplee el sentido común. Evite todo uso para el cual no se sienta suficientemente calificado. Si después de leer estas instrucciones todavía se siente inseguro en cuanto al procedimiento de uso, consulte con un experto antes de proseguir. No dude en ponerse en contacto con el distribuidor o con nosotros si tiene alguna duda en cuanto al empleo de la motosierra. Estamos a su disposición para darle consejos que le ayuden a emplear su motosierra de forma mejor y más segura. Le recomendamos hacer un curso sobre empleo de motosierras. El distribuidor local, una escuela de silvicultura o una biblioteca pueden informarle acerca del material de formación y los cursos disponibles. Se realiza

INSTRUCCIONES GENERALES DE SEGURIDAD

un trabajo constante de mejoras del diseño y la técnica, que aumentan su seguridad y eficacia. Visite al distribuidor local regularmente para averiguar qué provecho pueden proporcionarle las novedades que se introducen.

Equipo de protección personal



¡ATENCIÓN! La mayoría de los accidentes con la motosierra se producen cuando la cadena toca al usuario. Para trabajar con la máquina debe utilizarse un equipo de protección personal homologado. El equipo de protección personal no elimina el riesgo de lesiones, pero reduce su efecto en caso de accidente. Pida a su distribuidor que le asesore en la elección del equipo.

- Casco protector homologado
- Protectores auriculares
- Gafas protectoras o visor
- Guantes con protección anticorte
- Pantalones con protección contra sierra
- Botas con protección anticorte, puntera de acero y suela antideslizante
- Tenga siempre a mano el equipo de primeros auxilios.
- Extintor de incendios y pala

Utilice prendas ajustadas que no limiten su movilidad.

¡IMPORTANTE! Pueden producirse chispas en el silenciador, la espada y la cadena o en otra fuente. Tenga siempre a mano herramientas para extinguir incendios, por si fueran necesarias. Así ayudará a prevenir incendios forestales.

Equipo de seguridad de la máquina

En este capítulo se explican los componentes de seguridad de la máquina y sus funciones. Para el control y mantenimiento, vea las instrucciones del capítulo Control, mantenimiento y servicio del equipo de seguridad de la motosierra. Vea el capítulo Componentes de la máquina para ver dónde están situados estos componentes en su máquina.

La vida útil de la máquina puede acortarse y el riesgo de accidentes puede aumentar si el mantenimiento de la máquina no se hace de forma adecuada y si los trabajos de servicio y/o reparación no se efectúan de forma profesional. Para más información, consulte con el taller de servicio oficial más cercano.



¡ATENCIÓN! No emplee nunca una máquina con equipo de seguridad defectuoso. El equipo de seguridad se debe controlar y mantener. Vea las instrucciones del capítulo Control, mantenimiento y servicio del equipo de seguridad de la motosierra. Si el control de su máquina no da resultado satisfactorio, hay que acudir a un taller de servicio para la reparación.

Freno de cadena con protección contra reculadas

Su motosierra está equipada con un freno de cadena diseñado para detener la cadena de sierra en caso de reculada. Un freno de cadena reduce el riesgo de accidentes, pero sólo es usted, el usuario, quien puede impedirlos.

Proceda con cuidado en la utilización de la sierra, procurando que el sector de riesgo de reculada de la espada nunca toque ningún objeto.

- El freno de cadena (A) se activa bien manualmente (con la mano izquierda) o por efecto de la inercia. **(3)**
- La activación se produce al empujar hacia delante la protección contra reculadas (B). **(3)**
- El movimiento activa un mecanismo de muelle que tensa la cinta del freno (C) alrededor del sistema de arrastre de la cadena (D) en el motor (tambor de embrague). **(4)**
- La protección contra reculadas no sólo activa el freno de cadena. También cumple otra función importante: reduce el riesgo de que la mano izquierda toque la cadena si el usuario suelta el mango delantero.
- El freno de cadena debe estar activado cuando se arranca la motosierra, para impedir que la cadena gire.
- Utilice el freno de cadena como 'freno de estacionamiento' al arrancar y para los traslados cortos a fin de prevenir accidentes por contacto involuntario de usted o el entorno con la cadena de sierra en movimiento.
- El freno de cadena se desacopla empujando la protección contra reculadas hacia atrás, contra el mango delantero.
- Las reculadas pueden ser rapidísimas y muy violentas. La mayoría de las reculadas son pequeñas y, por tanto, no siempre activan el freno de cadena. En estos casos debe sujetarse la motosierra con fuerza, sin soltarla.
- El modo de activación del freno de cadena, manual o por inercia, depende de la fuerza de la reculada y de la posición de la motosierra en relación al objeto con el que toca el sector de riesgo de reculada de la espada. En reculadas fuertes y con el sector de riesgo de reculada de la espada lo más lejos posible del usuario, el freno de cadena está diseñado para ser activado por su propio contrapeso (inercia) en el sentido de reculada. En las reculadas poco violentas, o al trabajar con el sector de riesgo de reculada cerca del usuario, el freno de cadena se activa manualmente con la mano izquierda.
- En posición de tala, la mano izquierda está en una posición que permite la activación manual del freno de cadena. Con este agarre, cuando la mano izquierda está colocada de forma que no puede influir en el movimiento de la protección contra reculada, el freno de cadena sólo se puede activar mediante la función de inercia.

¿Activará siempre mi mano el freno de cadena en caso de reculada?

No. Hace falta una fuerza determinada para mover la protección contra reculada hacia adelante. Si su mano sólo roza la protección contra reculada o resbala sobre ella, puede ocurrir que la fuerza no sea suficiente para activar el freno de cadena. También debe agarrar con firmeza la empuñadura de la motosierra cuando trabaja. Si lo hace y se produce una reculada, puede ocurrir que no suelte el agarre de la empuñadura delantera y que no active el freno de cadena, o que el freno de cadena no se active hasta que la sierra haya girado bastante. En casos así puede suceder que el freno de cadena no tenga tiempo de detener la cadena antes de que le toque a usted.

INSTRUCCIONES GENERALES DE SEGURIDAD

Elo ocurre también en determinadas posturas de trabajo que impiden que su mano llegue a la protección contra reculada para activar el freno de cadena; por ejemplo, cuando se sujeta la sierra en posición de tala.

¿Se activa siempre por inercia el freno de cadena cuando se produce una reculada?

No. En primer lugar, su freno debe funcionar. Es fácil probar el freno; vea las instrucciones del capítulo Control, mantenimiento y servicio del equipo de seguridad de la motosierra. Recomendamos que haga esta prueba antes de empezar cada turno de trabajo. En segundo lugar, la reculada debe tener la fuerza suficiente para activar el freno de cadena. Si el freno de cadena fuera demasiado sensible, se activaría constantemente, lo que sería molesto.

¿Me protegerá siempre el freno de cadena contra daños si se produce una reculada?

No. En primer lugar, su freno debe funcionar para proporcionar la protección prevista. En segundo lugar, el freno se debe activar tal como se describe arriba para detener la cadena de sierra en una reculada. En tercer lugar, el freno de cadena se puede activar, pero si la espada está demasiado cerca de usted puede ocurrir que el freno no tenga tiempo de reducir la velocidad y parar la cadena antes de que la motosierra le toque.

Solamente usted y empleando una técnica de trabajo correcta puede eliminar el efecto de reculada y los riesgos que comporta.

Fiador del acelerador

El fiador del acelerador está diseñado para impedir la activación involuntaria del acelerador. Cuando se oprime el fiador (A) en el mango (= cuando se agarra el mango), se desacopla el acelerador (B). Cuando se suelta el mango, el acelerador y el fiador vuelven a sus posiciones originales. Ambas funciones se efectúan con sistemas independientes de muelles de retorno. Con esta posición, el acelerador queda automáticamente bloqueado en ralentí. (5)

Captor de cadena

El captor de cadena está diseñado para captar las cadenas que se sueltan o se rompen. Normalmente esto se evita con el tensado correcto de la cadena (vea las instrucciones bajo el título Montaje) y con un mantenimiento adecuado de la espada y la cadena (vea las instrucciones bajo el título Instrucciones generales de trabajo).

Protección de la mano derecha

La protección de la mano derecha, además de proteger la mano cuando una cadena se suelta o se rompe, impide que las ramas perjudiquen el agarre del mango posterior.

Sistema amortiguador de vibraciones

Su máquina incorpora un sistema amortiguador diseñado para reducir al máximo posible las vibraciones y optimizar la comodidad de uso.

El sistema amortiguador de vibraciones de la máquina reduce la transmisión de vibraciones entre la parte del motor/equipo de corte y la parte de los mangos de la máquina. El cuerpo de la motosierra, incluyendo el equipo

de corte, va suspendido de la parte de los mangos con un elemento antivibratorio.

El corte de maderas duras (la mayoría de los árboles caducifolios) produce más vibraciones que el de maderas blandas (la mayoría de las coníferas). El corte con un equipo de corte desafilado o incorrecto (modelo incorrecto o mal afilado) incrementa el nivel de vibraciones.



¡ATENCIÓN! La sobreexposición a las vibraciones puede provocar problemas circulatorios y dolencias de carácter nervioso, especialmente en personas con patologías circulatorias. Acuda a un médico si nota síntomas corporales que puedan relacionarse con la sobreexposición a las vibraciones. Son ejemplos de tales síntomas la pérdida de sensibilidad, el 'cosquilleo', las 'punzadas', el dolor, la pérdida o reducción de la fuerza normal o los cambios en el color y la superficie de la piel. Estos síntomas se presentan normalmente en dedos, manos y muñecas. Los síntomas pueden aumentar en temperaturas frías.

Botón de parada

El botón de parada se utiliza para parar el motor.

Silenciador

El silenciador está diseñado para reducir el nivel sonoro y para apartar los gases de escape del usuario.



¡ATENCIÓN! Los gases de escape del motor están calientes y pueden contener chispas que pueden provocar incendio. Por esa razón, ¡nunca arranque la máquina en interiores o cerca de material inflamable!

En regiones de clima cálido y seco puede haber un riesgo de incendio considerable. En países de estas regiones hay normativas y requisitos legales de, por ejemplo, equipar el silenciador con una red apagachispas homologada (A). (6)



¡NOTA! El silenciador está muy caliente durante el funcionamiento y después de parar. Esto también es aplicable al funcionamiento en ralentí. Preste atención al riesgo de incendio, especialmente al emplear la máquina cerca de sustancias y/o gases inflamables.



¡ATENCIÓN! No utilice nunca una motosierra sin silenciador o con el silenciador defectuoso. Un silenciador defectuoso puede incrementar considerablemente el nivel de ruido y el riesgo de incendio. Tenga a mano herramientas para la extinción de incendios. No utilice nunca una motosierra sin red apagachispas o con red apagachispas defectuosa si la normativa del país exige este equipo.

INSTRUCCIONES GENERALES DE SEGURIDAD

Equipo de corte

Este capítulo describe cómo Ud., con un mantenimiento correcto y utilizando el equipo de corte adecuado, podrá:

- Reducir la propensión a las reculadas de la máquina.
- Reduce la ocurrencia de salidas y roturas de la cadena de sierra.
- Proporciona un resultado de corte óptimo.
- Aumentar la duración del equipo de corte.
- Evita el aumento de los niveles de vibraciones.

Reglas básicas

- **¡Utilice solamente el equipo de corte recomendado por nosotros!** Vea las instrucciones bajo el titular Datos técnicos.
- **¡Mantenga los dientes cortantes de la cadena bien y correctamente afilados! Siga nuestras instrucciones y utilice el calibrador de limado recomendado.** Una cadena mal afilada o defectuosa aumenta el riesgo de accidentes.
- **¡Mantenga la profundidad de corte correcta! Siga nuestras instrucciones y utilice el calibrador de profundidad recomendado.** Una profundidad de corte demasiado grande aumenta el riesgo de reculada.
- **¡Mantenga la cadena correctamente tensada!** Con un tensado insuficiente se incrementa el riesgo de solturas de la cadena y se aumenta el desgaste de la espada, la cadena y el piñón de arrastre.
- **¡Mantenga el equipo de corte bien lubricado y efectúe el mantenimiento adecuado!** Con una lubricación insuficiente se incrementa el riesgo de roturas de cadena y se aumenta el desgaste de la espada, la cadena y el piñón de arrastre.

Equipo de corte reductor de reculadas



¡ATENCIÓN! Un equipo de corte defectuoso o una combinación errónea de espada/cadena de sierra aumentan el riesgo de reculadas. Utilice solamente las combinaciones de espada/cadena de sierra recomendadas y siga las instrucciones. Vea las instrucciones bajo el titular Datos técnicos.

Las reculadas sólo puede evitarlas Ud. el usuario, impidiendo que el sector de riesgo de reculada de la espada toque algún objeto.

El efecto de las reculadas puede reducirse utilizando un equipo de corte con reducción de reculada "incorporada", así como con un afilado y mantenimiento correctos de la cadena.

Espada

Cuanto más pequeño es el radio de punta, menor es la propensión a la reculada.

Cadena

Una cadena de sierra consta de distintos eslabones que se presentan en versión estándar y en versión reductora de reculada.

¡IMPORTANTE! Ninguna cadena de sierra elimina el riesgo de reculada.



¡ATENCIÓN! Cualquier contacto con una sierra de cadena en girando puede causar daños muy graves.

Expresiones características de la espada y cadena

Para conservar la eficacia de todos los componentes de seguridad del equipo de corte, debe sustituir las combinaciones de espada/cadena de sierra gastadas o dañadas por una espada y una cadena recomendadas por Husqvarna. Vea las instrucciones del capítulo Datos técnicos para información sobre las combinaciones de espada/cadena de sierra que recomendamos.

Espada

- Longitud (pulgadas/cm)
- Número de dientes en el cabezal de rueda (T).
- Paso de cadena (=pitch) (pulgadas). El cabezal de rueda de la espada y el piñón de arrastre de la cadena de la motosierra deben adaptarse a la distancia entre los eslabones de arrastre.
- Número de eslabones de arrastre (unidades). A cada combinación de longitud de cadena, paso de cadena y número de dientes del cabezal de rueda, le corresponde un número determinado de eslabones de arrastre.
- Ancho de la guía de la espada (pulgadas/mm). El ancho de la guía de la espada debe estar adaptado al ancho del eslabón de arrastre de la cadena.
- Orificio para aceite de cadena y orificio para pasador tensor de cadena. La espada debe estar adaptada al diseño de la motosierra.

Cadena

- Paso de cadena (=pitch) (pulgadas)
- Ancho del eslabón de arrastre (mm/pulgadas)
- Número de eslabones de arrastre (unidades)

Afilado y ajuste del talón de profundidad de una cadena de sierra



¡ATENCIÓN! Para trabajar con la cadena, utilice siempre guantes para proteger las manos contra lesiones.

Generalidades sobre el afilado de los dientes cortantes

- No corte nunca con una sierra roma. Es señal de sierra roma cuando es necesario presionar el equipo de corte a través de la madera y el que las virutas son muy pequeñas. Una cadena de sierra muy roma no produce virutas. El único resultado es polvo de madera.
- Una sierra de cadena bien afilada atraviesa por sí sola la madera y produce virutas grandes y largas.
- La parte cortante de una cadena de sierra se denomina eslabón de corte, formado por un diente de corte (A) y un talón de profundidad (B). La distancia en altura entre ellos determina la profundidad de corte. (7)

Hay tres medidas a considerar para el afilado del diente de corte.

- 1 Ángulo de afilado
- 2 Ángulo de corte
- 3 Posición de la lima
- 4 Diámetro de la lima redonda

Es muy difícil afilar correctamente una cadena de sierra sin los accesorios adecuados. Por ello le recomendamos que utilice nuestro calibrador de afilado. La plantilla garantiza un afilado de la cadena de sierra para una reducción de la reculada y una capacidad de corte óptimas.

Vea las instrucciones del capítulo Datos técnicos en lo referente a los datos para el afilado de la cadena de su motosierra.

INSTRUCCIONES GENERALES DE SEGURIDAD



¡ATENCIÓN! La negligencia en seguir las instrucciones de afilado aumenta considerablemente la propensión a la reculada de la cadena de sierra.

Afilado de dientes cortantes

Para afilar dientes de corte se requiere una lima redonda y un calibrador de afilado. Vea las instrucciones del capítulo Datos técnicos en lo referente al diámetro de fila redonda y el calibrador de afilado recomendados para la cadena de su motosierra.

- Compruebe que la cadena esté bien tensada. Con un tensado insuficiente, la cadena tiene inestabilidad lateral, lo cual dificulta el afilado correcto.
- Afile siempre desde el interior del diente hacia fuera. En el retorno, suavice la presión de la lima. Primero, afile todos los dientes de un lado y, luego, vuelva la motosierra y afile los dientes del otro lado.
- Afile todos los dientes a la misma longitud. Cuando sólo queden 4 mm (0,16") de la longitud de diente, la cadena está desgastada y debe cambiarse. (8)

Generalidades sobre el ajuste de la profundidad de corte

- Al afilar el diente de corte se reduce la altura del talón de profundidad (= profundidad de corte). Para mantener una capacidad máxima de corte hay que bajar el talón de profundidad al nivel recomendado. En lo referente a la profundidad de corte de la cadena de su motosierra, vea el capítulo Datos técnicos.



¡ATENCIÓN! ¡Una profundidad de corte excesiva aumenta la propensión a las reculadas de la cadena!

Ajuste de la profundidad de corte

- El ajuste de la profundidad de corte debe hacerse con los dientes cortantes recién afilados. Recomendamos ajustar la profundidad de corte después de cada tercer afilado de la cadena de sierra. ¡ATENCIÓN! Esta recomendación presupone que la longitud de los dientes de corte no se ha reducido anormalmente.
- Para ajustar la profundidad de corte se necesita una lima plana y un calibrador de profundidad de corte. Recomendamos utilizar nuestro calibrador de afilado de profundidad para obtener la medida de profundidad correcta y el ángulo correcto del talón de profundidad.
- Ponga el calibrador de afilado sobre la cadena de sierra. En el envase del calibrador hay instrucciones sobre su empleo. Utilice la lima plana para limar el sobrante de la parte sobresaliente del talón de profundidad. La profundidad de corte es correcta cuando no se nota resistencia alguna al pasar la lima sobre el calibrador.

Tensado de la cadena



¡ATENCIÓN! Una cadena insuficientemente tensada puede soltarse y ocasionar accidentes graves, incluso mortales.



¡ATENCIÓN! Utilice siempre guantes protectores homologados. Una cadena inmóvil también puede causar daños graves al usuario u otras personas que llegan a la cadena.

La cadena se alarga con la utilización. Por consiguiente, es importante ajustar el equipo de corte para compensar este cambio.

El tensado de la cadena debe controlarse cada vez que se reposte combustible. ¡NOTA! Las cadenas nuevas requieren un período de rodaje, durante el que debe controlarse el tensado con mayor frecuencia.

En general, la cadena debe tensarse tanto como sea posible, aunque debe ser posible girarla fácilmente con la mano. (9)

- Afloje las tuercas de la espada que fijan la cubierta del embrague/el freno de cadena. Utilice la llave combinada. Luego, apriete las tuercas a mano, lo más fuerte que pueda. (10)
- Con la punta de la espada hacia arriba, tense la cadena enroscando el tornillo tensor con la llave combinada. Tense la cadena hasta que deje de colgar en la parte inferior de la espada. (11)
- Con la llave combinada, apriete las tuercas de la espada sujetando al mismo tiempo la punta de la misma. Compruebe que la cadena pueda girarse a mano con facilidad y que no cuelgue en la parte inferior de la espada. (12)

Lubricación del equipo de corte



¡ATENCIÓN! La lubricación insuficiente del equipo de corte puede ocasionar roturas de cadena, con el riesgo consiguiente de accidentes graves e incluso mortales.

Aceite para cadena de motosierra

Un aceite para cadena de motosierra ha de tener buena adhesión a la cadena, así como buena fluidez tanto en climas cálidos como fríos.

Como fabricantes de motosierras hemos desarrollado un aceite para cadena óptimo que, gracias a su origen vegetal, es también biodegradable. Recomendamos el uso de nuestro aceite para obtener la mayor conservación, tanto de la cadena de sierra como del medio ambiente. Si nuestro aceite para cadena de motosierra no es accesible, recomendamos usar aceite para cadena común.

¡No utilizar nunca aceite residual! Es nocivo para usted, la máquina y el medio ambiente.



¡IMPORTANTE! Si utiliza aceite vegetal para cadena de sierra, desmonte y limpie la ranura de la espada y la cadena de sierra antes del almacenamiento prolongado. De no hacerlo, hay riesgo de que se oxide el aceite de la cadena de sierra, con lo que la cadena se vuelve rígida y el cabezal de rueda se atasca.

Repostaje de aceite para cadena de motosierra

- Todos nuestros modelos de motosierra tienen lubricación automática de la cadena. Algunos modelos pueden obtenerse también con flujo de aceite regulable.
- El depósito de aceite de cadena y el depósito de combustible están dimensionados para que se termine el combustible antes de terminarse el aceite de cadena. No obstante, para que esta función de seguridad sea efectiva debe utilizarse el aceite de cadena de sierra correcto (un aceite demasiado claro se termina antes de que se termine el combustible), debe seguirse nuestra recomendación de reglaje del carburador (una mezcla demasiado pobre hace que el combustible dure

INSTRUCCIONES GENERALES DE SEGURIDAD / MONTAJE

más que el aceite de cadena), y deben seguirse nuestras recomendaciones de equipo de corte (una espada demasiado larga requiere más aceite lubricante).

Control de la lubricación de la cadena

- Controle la lubricación de la cadena cada vez que reposte. Vea las instrucciones del capítulo Lubricación del cabezal de rueda de la espada.

Apunte la punta de la espada a unos 20 cm (8 pulgadas) de un objeto fijo y claro. Después de 1 minuto de funcionamiento a 3/4 de aceleración debe verse una línea de aceite clara en el objeto.

Si no funciona la lubricación de la cadena:

- Compruebe que el canal de aceite de cadena en la espada esté abierto. Límpielo si es necesario.
- Compruebe que la guía de la espada esté limpia. Límpiela si es necesario.
- Compruebe que el cabezal de rueda de la espada gire con facilidad y que su orificio de lubricación esté abierto. Limpie y lubrique si es necesario.

Si la lubricación de la cadena no funciona después de efectuar los controles y medidas anteriores, contacte a su taller de servicio.

Piñón de arrastre de la cadena

El tambor del embrague lleva uno Piñón Spur (piñón soldado en el tambor).

Compruebe regularmente el nivel de desgaste del piñón de arrastre de la cadena y cámbielo si presenta un desgaste anormal. El piñón de arrastre de la cadena debe cambiarse cada vez que se cambie la cadena.

Control del desgaste del equipo de corte

Controle diariamente la cadena para comprobar si:

- Hay grietas visibles en los remaches y eslabones.
- La cadena está rígida.
- Los remaches y eslabones presentan un desgaste anormal.

Deseche la cadena de sierra si concuerda con alguno o varios de los puntos anteriores.

Para comprobar el desgaste de la cadena que utiliza, le recomendamos que la compare con una cadena nueva. Cuando sólo queden 4 mm de longitud de diente cortante, la cadena está gastada y debe cambiarse.

Espada

Controle a intervalos regulares:

- Si se han formado rebabas en los lados de la espada. Lime si es necesario. (13)
- Si la guía de la espada presenta un desgaste anormal. Cambie la espada si es necesario. (14)
- Si la punta de la espada presenta un desgaste anormal o irregular. Si se ha formado una "cavidad" al final del radio de la punta, en la parte inferior de la espada, es señal de que Ud. ha utilizado la máquina con un tensado de cadena insuficiente.
- Para obtener una duración óptima, la espada debe girarse cada día.



¡ATENCIÓN! La mayoría de los accidentes con la motosierra se producen cuando la cadena toca al usuario.

Utilice el equipo de protección personal. Vea las instrucciones bajo el título Equipo de protección personal.

Evite los trabajos para los que no se sienta suficientemente capacitado. Vea las instrucciones bajo los títulos Equipo de protección personal, Medidas preventivas de reculadas, Equipo de corte e Instrucciones generales de trabajo.

Evite situaciones con riesgo de reculada. Vea las instrucciones bajo el título Equipo de seguridad de la máquina.

Utilice el equipo de corte recomendado y controle su estado. Vea las instrucciones bajo el título Instrucciones generales de trabajo.

Compruebe el funcionamiento de las piezas de seguridad de la motosierra. Vea las instrucciones bajo los títulos Instrucciones generales de trabajo e Instrucciones generales de seguridad.

Montaje de la espada y la cadena



¡ATENCIÓN! Los trabajos de control y/o mantenimiento deben efectuarse con el motor desconectado. El contacto de parada retorna automáticamente a la posición de arranque. Por consiguiente, antes de realizar trabajos de montaje, control y/o mantenimiento se debe quitar el capuchón de encendido de la bujía para evitar el arranque imprevisto.

Para trabajar con la cadena, utilice siempre guantes para proteger las manos contra lesiones.

Compruebe que no esté activado el freno de cadena empujando la protección contra reculadas del freno de cadena hacia el mango delantero. Desenrosque las tuercas de la espada y saque la cubierta del embrague (el freno de cadena). Saque la protección de transporte. (A)(15) Monte la espada en los pernos. Sitúela en la posición posterior extrema. Monte la cadena en el piñón de arrastre y la guía de la espada. Empezee con la parte superior de la cadena. (16)

Compruebe que los filos de los eslabones de corte estén orientados hacia delante en la parte superior de la espada.

Monte la cubierta del embrague (el freno de cadena) y ubique el vástago de tensado de cadena en la muesca de la espada. Compruebe que los eslabones de arrastre de la cadena encajen en el piñón de arrastre de la cadena y que la cadena esté bien colocada en la guía de la espada. Apriete las tuercas de la espada con los dedos. (17)

Tense la cadena ensacando en el sentido de las agujas del reloj el tornillo de tensado con la llave combinada. La cadena debe tensarse hasta que deje de colgar en la parte inferior de la espada. Vea las instrucciones del capítulo Tensado de la cadena de sierra. (18) La cadena está correctamente tensada cuando no cuelga en la parte inferior de la espada y puede girarse fácilmente con la mano. Apriete las tuercas de la espada con la llave combinada, sujetando al mismo tiempo la punta de la espada. (19)

El tensado de una cadena nueva debe controlarse con frecuencia, hasta que se haya hecho el rodaje. Controle el tensado regularmente. Una cadena correcta significa buena capacidad de corte y larga duración. (20)

MANIPULACION DEL COMBUSTIBLE

Carburante

Aclaración! La máquina tiene motor de dos tiempos, por lo que debe utilizarse siempre una mezcla de gasolina con aceite para motores de 2 tiempos. Es importante medir con precisión la cantidad de aceite que se mezcla para conseguir la proporción de mezcla adecuada. Al mezclar pequeñas cantidades de combustible, incluso los pequeños errores en la cantidad de aceite tienen una gran influencia en la proporción de mezcla.



¡ATENCIÓN! Para hacer la mezcla, compruebe que haya buena ventilación.

Gasolina

- Utilice gasolina sin plomo o gasolina con plomo de alta calidad.
- El octanaje mínimo recomendado es 87 ((RON+MON)/2). Si se utiliza gasolina de octanaje inferior a 87, se puede producir el efecto "clavazón". Esto produce un aumento de la temperatura del motor y de la carga sobre los cojinetes, fenómenos que pueden causar averías graves del motor.
- Para trabajos con régimen alto continuado (por ejemplo, para desramar), se recomienda un octanaje más alto.

Rodaje

No manejar la máquina a revoluciones demasiado altas por periodos prolongados durante las primeras diez horas.

Aceite para motores de dos tiempos

- Para un resultado y prestaciones óptimos, utilice aceite para motores de dos tiempos HUSQVARNA, especialmente fabricado para motores de dos tiempos refrigerados por aire.
- No utilice nunca aceite para motores de dos tiempos fuera borda refrigerados por agua (llamado outboard oil), con designación TCW.
- No utilice nunca aceite para motores de cuatro tiempos.
- Un aceite de calidad deficiente o una mezcla de aceite/combustible demasiado rica puede perjudicar el funcionamiento del catalizador y reducir su vida útil.

Mezcla

1:50 (2%) para todos los motores.

Gasolina, litros	Aceite para motores de dos tiempos, litros 2% (1:50)
5	0,10
10	0,20
15	0,30
20	0,40
Gal EE.UU.	Oz fl EE.UU.
1	2 1/2
2 1/2	6 1/2
5	12 7/8

Mezcla

- Siempre haga la mezcla de gasolina y aceite en un recipiente limpio, homologado para gasolina.
- Primero, ponga la mitad de la gasolina que se va a mezclar. Luego, añada todo el aceite y agite la mezcla. A continuación, añada el resto de la gasolina.
- Agite bien la mezcla de combustible antes de ponerla en el depósito de combustible de la máquina.
- No mezcle más combustible que el necesario para utilizar un mes como máximo.
- Si no se ha utilizado la máquina por un tiempo prolongado, vacíe el depósito de combustible y límpielo.

Aceite para cadena

- Para lubricar se recomienda un aceite especial (aceite para lubricar cadenas) con buena aptitud adherente.
- No utilice nunca aceite residual. Puede ocasionar averías en la bomba de aceite, la espada y la cadena.
- Es importante utilizar un aceite adecuado para la temperatura ambiente (con la viscosidad correcta).
- Con temperaturas bajo cero, algunos aceites se espesan. Ello puede causar sobrecargas en la bomba de aceite, con averías subsiguientes de las piezas de la bomba.
- Para la selección de aceite lubricante de cadena, consulte con su taller de servicio.

Repostaje



¡ATENCIÓN! Las siguientes medidas preventivas reducen el riesgo de incendio:

No fume ni ponga objetos calientes cerca del combustible.

Apague el motor y deje que se enfríe unos minutos antes de repostar.

Para repostar, abra despacio la tapa del depósito de combustible para evacuar lentamente la eventual sobrepresión.

Después de repostar, apriete bien la tapa del depósito de combustible.

Antes de arrancar, aparte siempre la máquina del lugar de repostaje.

Seque minuciosamente alrededor de las tapas de los depósitos. Limpie regularmente los depósitos de combustible y de aceite para cadena. Cambie el filtro de combustible una vez al año como mínimo. La suciedad en los depósitos produce perturbaciones del funcionamiento. Asegúrese de que el combustible esté bien mezclado, agitando el recipiente antes de repostar. Las capacidades de los depósitos de combustible y aceite para cadena están adaptadas entre sí. Por consiguiente, haga el repostaje de ambos al mismo tiempo.



¡ATENCIÓN! El combustible y los vapores de combustible son muy inflamables. Proceda con cuidado en la manipulación del combustible y el aceite de cadena. Tenga en cuenta el riesgo de incendio, explosión e inhalación.

Seguridad en el uso del combustible

- No reposte nunca la máquina con el motor en marcha.
- Procure que haya buena ventilación durante el repostaje y la mezcla de combustible (gasolina y aceite para motores de 2 tiempos).
- Antes de arrancar, aparte la máquina a 3 m como mínimo del lugar de repostaje.
- Nunca arranque la máquina:
 - 1 Si ha derramado sobre la máquina combustible o aceite para cadena. Seque cualquier residuo y espere a que se evaporen los restos de combustible.
 - 2 Si se salpicó el cuerpo o las ropas, cambie de ropas. Lave las partes del cuerpo que han entrado en contacto con el combustible. Use agua y jabón.
 - 3 Si hay fugas de combustible en la máquina. Compruebe regularmente si hay fugas en la tapa del depósito o en los conductos de combustible.

MANIPULATION DEL COMBUSTIBLE / ARRANQUE Y PARADA



¡ATENCIÓN! No utilice nunca una máquina con daños visibles en la protección de bujía y el cable de encendido. Hay riesgo de generación de chispas, que pueden causar incendios.

Transporte y almacenamiento

- Almacene la motosierra y el combustible de forma que no haya riesgo de que los eventuales vapores y fugas entren en contacto con chispas o llamas. Por ejemplo, cerca de máquinas eléctricas, motores eléctricos, contactos/ interruptores eléctricos, calderas de calefacción o similares.
- Para el almacenamiento del combustible deben utilizarse recipientes especiales homologados.
- En caso de almacenamiento o transporte de la motosierra por tiempo prolongado, deberán vaciarse los depósitos de combustible y aceite para cadena. Consulte con la gasolinera más cercana sobre qué hacer con el combustible y aceite de cadena sobrantes.
- Antes del almacenaje prolongado, limpie bien la máquina y haga el servicio completo.
- La protección de transporte del equipo de corte debe estar siempre montada para el transporte y almacenamiento de la máquina, a fin de evitar el contacto fortuito con la cadena aguda. Una cadena inmóvil también puede causar daños graves al usuario u otras personas que llegan a la cadena.

Almacenamiento prolongado

Vacíe los depósitos de combustible y aceite en un lugar bien ventilado. Guarde el combustible en bidones homologados y en un lugar seguro. Monte la protección de la espada. Limpie la máquina. Vea las instrucciones del capítulo Esquema de mantenimiento.

Arranque y parada



¡ATENCIÓN! Antes de arrancar, observe lo siguiente:

El freno de cadena debe estar aplicado cuando se arranca la motosierra, para reducir el riesgo de contacto con la cadena en movimiento al ponerse en marcha.

No ponga en marcha la motosierra sin haber montado antes la espada, la cadena y todas las cubiertas. De otro modo, el embrague puede zafar y ocasionar daños personales.

Ponga la máquina sobre una superficie estable. Asegúrese de tener buena estabilidad y de que la cadena no pueda tocar ningún objeto.

Asegúrese de que no haya terceros desautorizados en la zona de trabajo.

Motor frío

Arranque: El freno de cadena debe estar activado al poner en marcha la motosierra. Active el freno moviendo la protección contra reculadas hacia delante. (21)

Estrangulador: Extraiga completamente el estrangulador azul hasta que alcance la posición **ESTRANGULAMIENTO TOTAL**. Cuando se extrae al máximo la palanca de estrangulador/ralentí rápido, el ajuste de aceleración correcto se hace automáticamente. (22)

Aceleración de arranque: Para la función combinada de estrangulamiento/aceleración de arranque ponga el estrangulador en la posición de estrangulamiento. (23)
Bomba de combustible: Presione varias veces la burbuja de goma de la bomba de combustible hasta que comience a llenarse de combustible. No es necesario llenarla totalmente. (24)

Motor caliente

Utilice el mismo procedimiento de arranque que para el motor frío, pero no coloque el estrangulador en la posición de estrangulamiento. Para iniciar el estrangulamiento, sitúe el estrangulador azul en la posición de estrangulamiento y, a continuación, vuelva a empujarlo hacia dentro. (25)

Arranque

Agarre el mango delantero con la mano izquierda. Pise la parte inferior del mango trasero con el pie derecho y presione la motosierra contra el suelo. Agarre la empuñadura de arranque con la mano derecha y tire lentamente del cordón hasta que advierta una resistencia (agarran los ganchos de arranque). Luego, dé tirones rápidos y fuertes. **Nunca enrosque el cordón de arranque alrededor de la mano.** (26)
¡NOTA! No extraiga el cordón de arranque al máximo, y no suelte la empuñadura de arranque si ha extraído todo el cordón. Ello puede ocasionar averías en la máquina. Cuando el motor encienda, oírás una especie de soplo y entonces deberá oprimir inmediatamente el estrangulador. Reponga con firmeza el estrangulador a su posición inicial y repita el intento hasta que el motor arranque. (27)
Dado que el freno de cadena todavía está activado, se deben bajar las revoluciones del motor lo antes posible a ralentí, y esto se logra pulsando rápidamente una vez el accionador del estrangulador. De ese modo, se evita un desgaste innecesario del embrague, del tambor del embrague y de la cinta de freno.
Aclaración! Para poner el freno de cadena en su posición inicial, mueva la protección contra reculadas (marcada "PULL BACK TO RESET") hacia la empuñadura del mango. Ahora, la motosierra está lista para funcionar. En la parte trasera (A) de la motosierra hay un recordatorio de arranque simplificado, con figuras que describen cada paso. (28)



¡ATENCIÓN! La inhalación prolongada de los gases de escape del motor, la neblina de aceite de cadena y el polvo de serrín pueden poner en riesgo la salud.

- Nunca ponga en marcha la motosierra sin haber montado antes correctamente la espada, la cadena y todas las cubiertas. Vea las instrucciones bajo el título Montaje. Sin la espada y la cadena montadas en la motosierra, el embrague se puede soltar y causar daños graves. (29)
- El freno de cadena debe estar aplicado cuando se arranca la motosierra. Vea las instrucciones del capítulo Arranque y parada. No arranque nunca la motosierra agarrando el cordón de arranque y soltando la máquina. Este método es muy peligroso porque se pierde fácilmente el control de la motosierra. (30)
- No ponga nunca en marcha la máquina en interiores. Tenga en cuenta el riesgo de inhalación de los gases de escape del motor.
- Observe el entorno y asegúrese de que no haya riesgo de tocar a personas o animales con el equipo de corte.
- Sujete siempre la motosierra con ambas manos. Agarre la empuñadura trasera con la mano derecha y la empuñadura delantera con la mano izquierda. **Todos los usuarios, diestros o zurdos, deben usar este agarre.** Agarre con firmeza, con todos los dedos alrededor de las empuñaduras de la motosierra. (31)

Parada

Para parar el motor, pulse el botón de parada. (32)

Antes de utilizar la máquina: (33)

- 1 Compruebe que el freno de cadena funcione correctamente y no esté dañado.
- 2 Compruebe que la protección trasera de la mano derecha no esté dañada.
- 3 Compruebe que el fiador contra aceleraciones involuntarias funcione correctamente y no esté dañado.
- 4 Compruebe que el botón de parada funciona bien y está en buen estado.
- 5 Compruebe que todos los mangos estén libres de aceite.
- 6 Compruebe que el sistema de amortiguación de vibraciones funcione y no esté dañado.
- 7 Compruebe que el silenciador esté firmemente montado y en buenas condiciones.
- 8 Compruebe que todas las piezas de la motosierra estén bien apretadas, no presenten daños y estén presentes.
- 9 Compruebe que el retén de cadena esté montado y en buenas condiciones.
- 10 Controle el tensado de la cadena.

Instrucciones generales de trabajo

¡IMPORTANTE!

Este capítulo se refiere a las reglas de seguridad básicas para el trabajo con una motosierra. En ningún caso, su contenido podrá sustituir a los conocimientos, formación y experiencia práctica de un profesional. Por consiguiente, cuando no esté seguro de cómo utilizar la máquina, consulte a un experto. Diríjase a la tienda donde compró la motosierra, al taller de servicio o a un usuario de motosierras experto. ¡Evite los trabajos para los que no se sienta suficientemente cualificado! No utilice la motosierra hasta que haya comprendido el significado de las reculadas y la forma de evitarlas. Vea las instrucciones bajo el título Medidas preventivas de las reculadas.

No utilice la motosierra hasta que haya comprendido la diferencia entre las técnicas de corte con la parte superior y la parte inferior de la espada. Vea las instrucciones de los capítulos Medidas preventivas de las reculadas y Equipo de seguridad de la máquina. Utilice el equipo de protección personal. Vea las instrucciones bajo el título Equipo de protección personal.

Reglas básicas de seguridad

- 1 Observe el entorno para:
 - Comprobar que no hayan personas, animales, etc., que puedan influir en su control de la máquina.
 - Impedir que eventuales personas o animales puedan entrar en contacto con la cadena o sean alcanzadas o lesionadas por un árbol derribado.
- ¡NOTA! Siga las instrucciones mencionadas arriba y no utilice la motosierra sin que haya alguien a quien recurrir en caso de accidente.
- 2 No trabaje en condiciones atmosféricas desfavorables como niebla, lluvia intensa, tempestad, frío intenso, etc. El trabajo con mal tiempo es fatigoso y puede crear circunstancias peligrosas, como terreno resbaladizo, cambio imprevisto de la dirección de derribo de los árboles, etc.
 - 3 Proceda con sumo cuidado en el corte de ramas pequeñas y evite cortar arbustos (= varias ramas al mismo tiempo). Después del corte, las ramas pequeñas

pueden atascarse en la cadena, ser lanzadas hacia Ud. y herirle de gravedad.

- 4 Compruebe que pueda caminar y mantenerse de pie con seguridad. Vea si hay eventuales impedimentos para desplazamientos imprevistos (raíces, piedras, ramas, fosos, zanjas, etc.). Proceda con sumo cuidado al trabajar en terreno inclinado.
- 5 Sea sumamente cuidadoso al cortar en árboles en tensión. Un árbol en tensión puede, tanto antes como después de terminar de cortar, volver a su posición normal. Si Ud. o el corte están mal ubicados, el árbol puede golpearlo a Ud. o a la máquina y hacerle perder el control. Las dos situaciones pueden ocasionar daños personales graves.
- 6 Para los desplazamientos, bloquee la cadena con el freno de cadena y pare el motor. Lleve la motosierra con la espada y cadena orientadas hacia atrás. Para los desplazamientos largos y los transportes utilice siempre la protección de la espada.
- 7 Cuando ponga la motosierra en el suelo, bloquee la cadena de sierra con el freno de cadena y no pierda de vista la motosierra. Para el 'estacionamiento prolongado', se debe parar el motor.

Reglas básicas

- 1 Entendiendo las implicaciones y causas de la reculada, Ud. puede reducir o eliminar sorpresas que incrementen el riesgo de accidente. La mayoría de reculadas son pequeñas, aunque algunas son rapidísimas y muy violentas.
- 2 Sujete siempre la motosierra con firmeza, con la mano derecha en el mango trasero y la mano izquierda en el mango delantero, agarrando los mangos con todos los dedos. Este agarre deben utilizarlo todos los usuarios, incluso los zurdos. Este agarre es la mejor forma de reducir el efecto de una reculada y, al mismo tiempo, mantener el control de la motosierra. **¡No suelte los mangos!**
- 3 La mayoría de los accidentes por reculada se producen al desramar. Procure trabajar con una postura estable y que en el suelo no hayan objetos que puedan hacerle tropezar y perder el equilibrio.
Si se trabaja con negligencia, el sector de riesgo de reculada de la espada puede tocar involuntariamente una rama, un árbol u otro objeto y producir una reculada.
Controle la pieza de trabajo. Si las piezas de trabajo que sierra son pequeñas y ligeras, pueden atascarse en la cadena de sierra y ser lanzadas contra usted. Esto, aunque no es necesariamente peligroso, puede sorprenderle y hacerle perder el control de la motosierra. No sierre nunca troncos apilados ni ramas sin separarlos antes. Sierre solamente los troncos de trozo en trozo. Aparte los trozos aserrados para mantener segura su zona de trabajo.
- 4 **No utilice nunca la motosierra por encima de los hombros y evite cortar con la punta de la motosierra. ¡No utilice nunca la motosierra con una sola mano! (34)**
- 5 Para obtener máximo control de la motosierra, es necesario adoptar una posición estable. No trabaje nunca subido a una escalera, trepado a un árbol o en una posición que carezca de una base firme. **(35)**
- 6 Corte con velocidad de cadena alta, acelerando al máx.
- 7 Para cortar con la parte superior de la espada, en sentido ascendente desde la parte inferior del objeto a cortar, proceda con muchísimo cuidado. Al trabajar con

esta técnica, llamada de cadena impelente, la cadena empuja la motosierra hacia atrás, hacia el usuario. Si la cadena de sierra se atasca, la motosierra puede ser lanzada hacia atrás contra usted.

- 8 Si el usuario no resiste la fuerza de la motosierra, puede ocurrir que ésta retroceda tanto que el sector de riesgo de reculada de la espada toque el árbol y se produzca una reculada. (36)

El corte con la parte inferior de la espada, en sentido descendente desde la parte superior del objeto a cortar, se denomina de corte con cadena tirante. La motosierra es tirada hacia el árbol y el canto delantero del cuerpo se apoya contra el tronco. Con esta técnica de cadena tirante, el usuario controla mejor la motosierra y la situación del sector de riesgo de reculada de la espada.

- 9 Siga las instrucciones de afilado y mantenimiento de la espada y la cadena. Al cambiar la espada y la cadena sólo deben utilizarse las combinaciones recomendadas por nosotros. Vea las instrucciones bajo los títulos Equipo de corte y Datos técnicos.

Técnica básica de corte



¡ATENCIÓN! No utilice nunca una motosierra agarrándola solamente con una mano. Una motosierra no se controla con seguridad con una mano. Agarre con fuerza y firmeza las empuñaduras con ambas manos.

Generalidades

- ¡Para cortar, utilice siempre la aceleración máxima!
- Después de cada corte de sierra, suelte el acelerador y deje el motor en vacío (la aceleración máxima prolongada sin carga, es decir sin que el motor tenga la resistencia de la cadena en el aserrado, produce avería grave del motor).
- Corte descendente = con cadena "tirante".
- Corte ascendente = con cadena "impelente".

La técnica con cadena "impelente" supone un mayor riesgo de reculada. Vea las instrucciones bajo el título Medidas preventivas de las reculadas.

Designaciones

Tronzado = denominación genérica del corte transversal de la madera.

Desramado = corte de las ramas de un árbol talado.

Partición = rotura del objeto que se corta antes de concluir el corte.

Para los trabajos de tronzado deben tenerse en cuenta cinco factores muy importantes:

- 1 El equipo de corte no debe quedar apretado en el surco.
- 2 El objeto que se corta no debe partirse.
- 3 Durante el tronzado y después del mismo, la cadena de la sierra no debe tocar el suelo ni objeto alguno.
- 4 ¿Hay riesgo de reculada?
- 5 ¿Puede la configuración del terreno y el entorno influir en su estabilidad y seguridad para caminar y mantenerse de pie?

El atasco de la cadena y la partición del objeto de corte pueden deberse a dos factores: el apoyo del objeto antes y después del tronzado, y si el objeto a cortar está tenso. En la mayoría de casos, estos factores pueden evitarse efectuando el tronzado en dos etapas: por arriba y por abajo. Así se neutraliza la propensión del objeto a cortar a apretar la cadena o a partirse.

¡IMPORTANTE! Si la cadena se atasca en el surco: ¡Pare el motor! No intente sacar la motosierra por la fuerza. Si lo hace, puede accidentarse con la cadena cuando se suelta repentinamente la motosierra. Para soltar la motosierra, utilice una palanca.

A continuación, se indica un listado teórico de la forma de tratar las situaciones más comunes con que puede enfrentarse un usuario de motosierra.

Desramado

Para cortar ramas gruesas deben aplicarse los mismos principios que para el tronzado.

Corte las ramas difíciles por partes.

Tronzado



¡ATENCIÓN! No intente nunca serrar troncos apilados ni dos troncos que están muy juntos. Estos métodos incrementan drásticamente el riesgo de reculada, que comportan riesgo de daños personales graves y peligro de muerte.

Si hay una pila de troncos, se debe separar de ella cada tronco que se va a cortar, colocarlo en un soporte para serrar guiadera y cortarlo por separado.

Aparte los trozos cortados de la zona de trabajo. Si los deja en la zona de trabajo, aumenta el riesgo de reculada por equivocación y el riesgo de perder el equilibrio cuando trabaja.

El tronco en el suelo. No hay riesgo de atasco de la cadena o de partición del objeto de corte. Sin embargo, hay un riesgo considerable de que la cadena toque el suelo después del corte.

Corte desde arriba todo el tronco. Al final del corte, proceda con cuidado para evitar que la cadena toque el suelo. Mantenga la aceleración máxima y esté alerta a lo que va a pasar. (37)

Si es posible (¿puede girarse el tronco?), termine el corte a 2/3 del diámetro del tronco.

Gire el tronco para cortar el tercio restante desde arriba.

El tronco está apoyado en un extremo. Gran riesgo de partición. Empiece cortando desde abajo

(aproximadamente 1/3 del diámetro del tronco). Termine el corte desde arriba, hasta que se encuentren los dos surcos.

El tronco está apoyado en ambos extremos. Gran riesgo de atasco de la cadena.

Empiece cortando desde arriba (aproximadamente 1/3 del diámetro del tronco).

Termine el corte desde abajo, hasta que se encuentren los dos surcos.

Técnica de tala

¡IMPORTANTE! La tala de árboles requiere mucha experiencia. Un usuario de motosierra inexperto no debe talar árboles. ¡Evite los trabajos para los que no se considere suficientemente capacitado!

Distancia de seguridad

La distancia de seguridad entre el árbol a talar y el lugar de trabajo más cercano debe ser de 2,5 longitudes de árbol. Asegúrese de que no haya nadie en esta "zona de riesgo" antes de la tala y durante la misma. (38)

Dirección de derribo

El derribo tiene por objeto la colocación del árbol de forma que el desramado y tronzado subsiguientes puedan efectuarse en un terreno lo más "fácil" posible. El talador debe poder caminar y mantenerse de pie con seguridad. Cuando haya decidido en qué dirección quiere derribar el árbol, debe considerar la dirección natural de caída del mismo. Ésta depende de varios factores:

- Inclinación
- Torcimiento
- Dirección del viento
- Concentración de las ramas
- Peso de la nieve, si la hay
- Obstáculos dentro del alcance del árbol: como otros árboles, cables eléctricos, paredes y edificios.
- Compruebe si el tronco tiene daños o podredumbre, que aumentan la probabilidad de que el árbol se rompa y empiece a caer antes de lo previsto.

Una vez considerados estos factores, puede verse obligado a dejar que el árbol caiga en su dirección natural, ya que es imposible, o demasiado arriesgado, intentar colocarlo en la dirección decidida en un principio.

Otro factor muy importante, que no afecta a la dirección de derribo pero sí a su seguridad personal, es el control de que el árbol no tenga ramas dañadas o "muertas" que puedan romperse por sí solas y dañarle a Ud. durante la tala.

Ante todo, debe evitarse que el árbol derribado se atasque en otro árbol. Es muy peligroso retirar un árbol atascado y hay un elevado riesgo de accidente. Vea las instrucciones bajo el título Tratamiento de una tala fallida.

¡IMPORTANTE! En momentos críticos de la tala deberán levantarse los protectores auriculares apenas termine el aserrado, a fin de poder advertir ruidos y señales de advertencia.

Corte de ramas bajas y camino de retirada

Desrame el tronco hasta la altura del hombro. Es más seguro trabajar de arriba a abajo y tener el tronco entre usted y la motosierra. Limpie la vegetación que hay alrededor del árbol y elimine los eventuales obstáculos (piedras, ramas, huecos, etc.) para tener preparado un camino de retirada cuando empiece a caer el árbol. El camino de retirada debe estar a unos 135°, oblicuamente hacia atrás, de la dirección de derribo prevista. (39)

- 1 Zona de riesgo
- 2 Vía de retirada
- 3 Dirección de derribo

Tala



¡ATENCIÓN! ¡Desaconsejamos a los usuarios insuficientemente cualificados que talen árboles con espada de longitud más pequeña que el diámetro del tronco a cortar!

La tala se hace con tres cortes. Se empieza con el corte de indicación, compuesto por un corte superior y un corte inferior; y se termina con el corte de derribo. Con la ubicación correcta de estos cortes puede controlarse con gran exactitud la dirección de derribo.

Corte de indicación

El corte de indicación se inicia con el corte superior. Sitúese a la derecha del árbol y corte con cadena tirante. Luego, efectúe el corte inferior, que debe terminar exactamente donde terminó el corte superior. (40)

La profundidad del corte de indicación debe ser igual a 1/4 del diámetro del tronco, y el ángulo entre los cortes superior e inferior debe ser de 45° como mínimo.

La convergencia de ambos cortes se denomina línea de corte de indicación. La línea de corte de indicación debe ser perfectamente horizontal y formar un ángulo recto (90°) con la dirección de derribo elegida. (41)

Corte de derribo

El corte de derribo se hace en el lado opuesto del árbol y debe ser perfectamente horizontal. Sitúese a la izquierda del árbol y corte con cadena tirante.

Sitúe el corte de derribo a unos 3-5 cm (1,5-2 pulgadas) por encima del plano horizontal del corte de indicación. (42)

El corte de derribo debe quedar paralelo con la línea de corte de indicación, con una distancia mínima entre ambos de 1/10 del diámetro del tronco. La parte del tronco sin cortar se denomina faja de desgaje.

La faja de desgaje funciona como una bisagra que dirige la dirección de derribo del árbol. (43)

Se pierde completamente el control de la dirección de derribo del árbol si la faja de desgaje es demasiado pequeña o se atraviesa al cortar, o si los cortes de indicación y derribo están mal situados.

Cuando están terminados los cortes de indicación y de derribo, el árbol debe empezar a caer; bien por sí solo, o con ayuda de la cuña de derribo o de la barra desgajadora. Recomendamos emplear una longitud de espada mayor que el diámetro del tronco para que los cortes de derribo e indicación se puedan hacer con un corte sencillo. Vea las instrucciones del capítulo Datos técnicos en lo referente a las longitudes de espada recomendadas para su modelo de motosierra.

Hay técnicas para la tala de árboles con diámetros de tronco más grandes que la longitud de la espada. Estas técnicas conllevan un riesgo considerable de que el sector de riesgo de reculada de la espada toque un objeto.

Tratamiento de una tala fallida

Derribo de un árbol "atascado"

Es muy peligroso retirar un árbol atascado y hay un elevado riesgo de accidente.

No intente nunca cortar árboles talados apoyados sobre otros.

No trabaje nunca dentro de la zona de riesgo de árboles talados atascados y suspendidos.

El método más seguro es utilizar un torno.

- Montado en un tractor
- Portátil

Corte de árboles y ramas tensos

Preparativos: Estime el sentido de la tensión y dónde tiene su punto de ruptura (es decir, el punto en el que se rompería si se siguiera tensando).

Determine la forma más segura de soltar la tensión y también, si Ud. puede hacerlo. En situaciones muy complicadas, el único método seguro consiste en utilizar un torno en vez de la motosierra.

Generalidades:

Sitúese de modo que no haya riesgo de que sea alcanzado por el tronco/la rama cuando se suelte.

Haga uno o varios cortes en el punto de ruptura o cerca del mismo. Corte a la profundidad requerida y con el número de cortes necesarios para que la tensión del tronco/la rama se suelte lo suficiente para que el tronco/la rama se "parta" en el punto de ruptura.

¡No corte nunca del todo un objeto en tensión!

Si necesita cortar a través del árbol/rama, haga dos o tres cortes con una separación de 3 cm y una profundidad de 3 a 5 cm.

Continúe serrando a más profundidad hasta que soltar la fuerza y la tensión del árbol/rama.

Sierre el árbol/rama desde el lado opuesto después de soltar la tensión.

Medidas preventivas de las reculadas



¡ATENCIÓN! Las reculadas pueden ser rapidísimas, repentinas y violentas, lanzando la motosierra, la espada y la cadena contra el usuario. Si la cadena en movimiento toca al usuario, pueden producirse lesiones muy graves e incluso mortales. Es necesario comprender las causas de las reculadas y que pueden evitarse procediendo con cuidado y trabajando con la técnica correcta.

¿Qué es la reculada?

Reculada es la denominación de una reacción repentina por la que la motosierra y la espada salen despedidas de un objeto que ha entrado en contacto con el cuadrante superior de la punta de la espada, denominado sector de riesgo de reculada. (44)

La reculada sigue siempre el sentido del plano de la espada. Lo más común es que la motosierra y la espada reboten hacia atrás en sentido ascendente, hacia el usuario. También hay otros sentidos de reculada dependiendo de la posición de la motosierra en el momento en que el sector de riesgo de reculada de la espada toca un objeto.

La reculada sólo puede producirse cuando el sector de riesgo de reculada de la espada toca un objeto. (45)

Desramado



¡ATENCIÓN! La mayoría de accidentes por reculada ocurren al desramar. No use el sector de riesgo de reculada de la espada. Proceda con sumo cuidado y evite que la punta de la espada entre toque en el tronco, en otras ramas o en objetos. Proceda con sumo cuidado con las ramas que están tensadas. Pueden ser despedidas contra usted y hacerle perder el control, con el riesgo consiguiente de daños.

¡Cerciórese de que pueda caminar y mantenerse de pie con seguridad! Trabaje desde el lado izquierdo del tronco. Trabaje lo más cerca posible de la motosierra para máximo control. Cuando sea posible, descargue el peso de la motosierra apoyándola en el tronco.

Desplácese solamente cuando el tronco esté situado entre Ud. y la motosierra.

Tronzado del tronco

Vea las instrucciones bajo el título Técnica básica de corte.

Generalidades

El usuario sólo puede efectuar los trabajos de mantenimiento y servicio descritos en este manual. Los trabajos de mayor envergadura debe efectuarlos un taller de servicio oficial.

Ajuste del carburador

Su producto Husqvarna ha sido construido y fabricado conforme a especificaciones que reducen los gases de escape tóxicos.

Funcionamiento

- El régimen del motor se controla mediante el acelerador y el carburador. En el carburador se efectúa la dosificación de la mezcla de aire y combustible. Esta mezcla es regulable. Para obtener la potencia máxima de la máquina, el reglaje de la dosificación debe ser correcto.
- Con el tornillo T se regula la posición del acelerador en ralentí. El ralentí se aumenta girando el tornillo T en el sentido de las agujas del reloj y se reduce girándolo en sentido contrario a las agujas del reloj.

Reglaje básico y rodaje

El reglaje básico del carburador se lleva a cabo en las pruebas que se hacen en fábrica. El ajuste fino debe efectuarlo un técnico capacitado.

Régimen recomendado en ralentí: Vea el capítulo Datos técnicos.

Reglaje preciso del ralentí, tornillo T

El ralentí se regula con el tornillo marcado con una T. Para regular, enrosque (en el sentido de las agujas del reloj) el tornillo T con el motor en marcha hasta que empiece a girar la cadena. A continuación, desenrosque (en sentido contrario a las agujas del reloj) hasta que la cadena se pare. El reglaje del régimen de ralentí es correcto cuando el motor funciona regularmente en todas las posiciones, habiendo un buen margen hasta el régimen en que empieza a girar la cadena.



¡ATENCIÓN! Si el régimen de ralentí no puede ajustarse para que se pare la cadena, acuda a un taller de servicio. No utilice la motosierra hasta que esté correctamente regulada o reparada.

Control, mantenimiento y servicio del equipo de seguridad de la motosierra

Aclaración! Para todos los trabajos de servicio y reparación de la máquina es necesaria una capacitación especial. Esto es especialmente aplicable al equipo de seguridad. Si la máquina no da resultados satisfactorios en alguno de los controles de la lista abajo, le recomendamos que acuda a un taller de servicio. Todas las medidas de mantenimiento que no estén indicadas en este manual deben ser efectuadas por una tienda autorizada con servicio (distribuidor).

Para el motor y quite el cable de encendido antes de una reparación o mantenimiento

Freno de cadena con protección contra reculadas

Control del desgaste de la cinta de freno

Limpie el freno de cadena y el tambor de embrague de serrín, resina y suciedad. La suciedad y el desgaste perjudican la función de frenado. (46)

Controle regularmente que el punto más desgastado de la cinta de freno tenga un mínimo de 0,024" (0,6 mm) de grosor.

Control de la protección contra reculadas

Compruebe que la protección contra reculadas esté intacta, sin defectos visibles como, por ejemplo, grietas.

Empuje la protección contra reculadas adelante y atrás para comprobar que se mueve con facilidad y que está firmemente anclada a su articulación en la cubierta del embrague. (47)

Control de la función de inercia

Mantenga la motosierra, con el motor parado, sobre un tocón u otro objeto estable. Suelte la empuñadura delantera y deje caer la motosierra por su propio peso, rotando en la empuñadura trasera, contra el tocón.

El freno de cadena debe activarse cuando la punta de la espada toca el tocón. (48)

Control del efecto de frenado

Coloque la motosierra sobre una base firme y arránquela. Fíjese que la cadena no entre en contacto con el suelo u otro objeto. Consulte las instrucciones bajo el título Arranque y parada.

Sostenga la motosierra con firmeza, agarrando los mangos con todos los dedos.

Acelere al máximo y active el freno de cadena girando la muñeca izquierda hacia la protección contra reculadas. No suelte el mango delantero. **La cadena debe detenerse inmediatamente.**

Fiador del acelerador

- Compruebe que el acelerador esté bloqueado en la posición de ralentí cuando el fiador está en su posición inicial.
- Apriete el fiador del acelerador y compruebe que vuelva a su posición de partida al soltarlo.
- Compruebe que el acelerador y el fiador se muevan con facilidad y que funcionen sus muelles de retorno.
- Arranque la motosierra y acelere al máximo. Suelte el acelerador y compruebe que la cadena se pare y permanezca inmóvil. Si la cadena gira con el acelerador en la posición de ralentí debe controlarse el reglaje de ralentí del carburador.

Captor de cadena

Compruebe que el captor de cadena esté intacto y que esté firmemente montado al cuerpo de la motosierra.

Protección de la mano derecha

Compruebe que la protección de la mano derecha esté intacta, sin defectos visibles como, por ejemplo, grietas.

Sistema amortiguador de vibraciones

Compruebe regularmente que los elementos antivibraciones no estén agrietados o deformados.

Compruebe que los elementos antivibraciones estén bien anclados entre la parte del motor y la parte de los mangos, respectivamente.

Botón de parada

Arranque el motor y compruebe que se pare cuando se mueve el botón de parada a la posición de parada.

Silenciador

Nunca utilice una máquina que tenga un silenciador defectuoso. Compruebe regularmente que el silenciador esté firmemente montado en la máquina.

Aclaración: La rejilla de parachispas (A) de esta máquina es reparable. (49) Si la rejilla tiene desperfectos, cámbiela. Con una rejilla obturada, la máquina se sobrecalienta y se avería el cilindro y el pistón. No utilice nunca la máquina si el silenciador está en mal estado. **Nunca utilice un silenciador sin una rejilla apagachispas o con una rejilla apagachispas defectuosa.**

Para el usuario particular normal, no es necesario cambiar el silenciador ni la rejilla de parachispas.

Filtro de aire

El filtro de aire debe limpiarse regularmente de polvo y suciedad para evitar:

- Fallos del carburador
- Problemas de arranque
- Reducción de la potencia
- Desgaste innecesario de las piezas del motor
- Un consumo de combustible excesivo
- Desmontar el filtro de aire (3) después de quitar la cubierta del cilindro, el tornillo (1) y la cubierta del filtro de aire (2). Al montar el filtro de aire, comprobar que las juntas quedan bien apretadas contra el soporte del filtro. Limpiar el filtro cepillándolo o agitándolo. (50)

Para una limpieza a fondo del filtro, lávelo en agua jabonosa.

Un filtro utilizado durante mucho tiempo no puede limpiarse del todo. Por tanto, hay que cambiarlo a intervalos regulares. **Un filtro de aire averiado debe cambiarse.**

Bujía

Los factores siguientes afectan al estado de la bujía:

- Carburador mal regulado.
- Mezcla de aceite inadecuada en el combustible (demasiado aceite o aceite inadecuado).
- Filtro de aire sucio.

Estos factores producen revestimientos en los electrodos de la bujía que pueden ocasionar perturbaciones del funcionamiento y dificultades de arranque.

Si la potencia de la máquina es demasiado baja, si es difícil arrancar la máquina o si el ralentí es irregular: revise primero la bujía antes de tomar otras medidas. Si la bujía está muy sucia, límpiela y compruebe que la separación de los electrodos sea de 0,5 mm. La bujía debe cambiarse aproximadamente después de un mes de funcionamiento o más a menudo si es necesario.

Aclaración! ¡Utilice siempre el tipo de bujía recomendado! Una bujía incorrecta puede arruinar el pistón y el cilindro. Asegúrese de que la bujía tenga supresión de perturbaciones radioeléctricas.

MANTENIMIENTO

Programa de mantenimiento

A continuación incluimos una lista con los puntos de mantenimiento a efectuar en la máquina. La mayoría de los puntos se describen en el capítulo "Mantenimiento".

Mantenimiento diario (Todos los 5-10 h)	Mantenimiento semanal (Todos los 10-25 h)	Mantenimiento mensual (Todos los 25-40 h)
Limpie la parte exterior de la máquina.	Controle el mecanismo de arranque, la cuerda y el muelle de retorno.	Compruebe si está desgastada la cinta del freno de cadena. Cámbiela cuando quede menos de 0,6 mm en el punto más gastado.
Compruebe que los componentes del acelerador funcionen con seguridad. (Fiador y acelerador.)	Compruebe que estén intactos los aisladores de vibraciones.	Compruebe si están desgastados el centro, el tambor y el muelle de embrague.
Limpie el freno de cadena y compruebe que funcione con seguridad. Verifique que el captor de cadena esté intacto y cámbielo si es necesario.	Lime las eventuales rebabas en los lados de la espada.	Limpie la bujía. Compruebe que la separación de los electrodos sea de 0,5 mm.
Dé vuelta la espada cada día para que el desgaste sea regular. Compruebe que el orificio de lubricación de la espada no esté obturado. Limpie la guía de la cadena. Si la espada lleva cabezal de rueda, engráselo.	Limpie el compartimento del carburador.	Limpie el exterior del carburador.
Compruebe que la espada y la cadena reciban aceite suficiente.	Limpie el filtro de aire. Cámbielo si es necesario.	Revise el filtro y el conducto de combustible. Cámbielos si es necesario.
Revise la cadena de sierra en lo referente a grietas en remaches y eslabones, rigidez de la cadena o desgaste anormal de remaches y eslabones. Cambie las piezas gastadas.		Vacíe el depósito de combustible y límpielo interiormente.
Afile la cadena y compruebe su tensado y su estado. Verifique que el piñón de arrastre de la cadena no esté demasiado desgastado, cámbielo si es necesario.		Vacíe el depósito de aceite y límpielo interiormente.
Limpie la toma de aire del mecanismo de arranque.		Revise todos los cables y conexiones.
Compruebe que los tornillos y las tuercas estén apretados.		
Controle que el mando de detención funcione.		
Controle que no haya fugas de combustible del motor, del depósito o de los conductos de combustible.		

DATOS TECNICOS

Datos técnicos

	235	240
Motor		
Cilindrada, pulgadas/cm ³	2.3/38	2.3/38
Carrera, pulgadas/mm	1.26/32	1.26/32
Régimen de ralentí, rpm	3000	3000
Potencia, kW	1.3	1.5
Período de durabilidad de las emisiones según la Junta de Recursos del Aire de California.	125	125
Sistema de encendido		
Bujía	Champion RCJ 7Y	Champion RCJ 7Y
Distancia de electrodos, pulgadas/mm	0.020/0.5	0.020/0.5
Sistema de combustible y lubricación		
Capacidad del depósito de gasolina, US pint/litros	0.63/0.3	0.63/0.3
Caudal de la bomba de aceite a 8.500 rpm, ml/min	7	7
Capacidad del depósito de aceite, US pint/litros	0.4/0.19	0.4/0.19
Tipo de bomba de aceite	Automática	Automática
Peso		
Motosierra sin espada ni cadena, con depósitos vacíos, lb/kg	10,3/4,7	10,3/4,7
Cadena /espada		
Longitud de espada estándar, pulgadas/cm	14-18 / 35-45	14-18 / 35-45
Longitudes de espada recomendadas, pulgadas/cm	14-18 / 35-45	14-18 / 35-45
Longitud efectiva de corte, pulgadas/cm	13.5/34, 15.5/39	13.5/34, 15.5/39
Velocidad de la cadena a potencia máxima, m/s	17.1	17.1
Paso, pulgadas/mm	0.375/9.5	0.375/9.5
Grosor del eslabón de arrastre, pulgadas/mm	0.050/1.3	0.050/1.3
Número de dientes del piñón de arrastre	6	6

DATOS TECNICOS

Combinaciones aprobadas de espada y cadena originales y de repuesto

A continuación se presenta una lista de los equipos de corte recomendados para los modelos de motosierras Husqvarna 235 y 240. Las combinaciones de cabezal de fuerza, espada y cadena han sido probadas y se ha verificado que cumplen con los requisitos de reculada y vibraciones de ANSI B 75.1-2000.


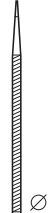
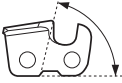
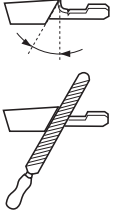

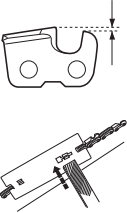
El radio de la punta de la espada viene determinado bien por el número máximo de dientes del piñón de la punta o por el radio de punta máximo correspondiente de una espada sólida.

La lista siguiente contiene las recomendaciones del fabricante de la motosierra. Puede haber disponibles otras combinaciones que también consiguen la reducción de la reculada.

En la lista se indica el radio de punta de espada máximo, por lo que también es posible usar una espada con radio de punta más pequeño que el indicado en la lista. Para espadas de la misma longitud, todas las espadas con punta de piñón tienen el mismo paso y, al tener el mismo número de dientes de piñón, puede considerarse que tienen una energía de reculada equivalente. Puede considerarse que una espada de punta dura de la misma longitud y radio de punta que una espada con punta de piñón tiene una energía de reculada equivalente o menor que la espada con punta de piñón.

Los modelos de motosierra 235 y 240 cumplen con los requisitos de rendimiento en reculada de ANSI B175.1-2000 en ensayos con las combinaciones de espadas y cadenas alistadas abajo. Las cadenas de motosierra Oregon 91PX y 90SG también están clasificadas como cadenas de motosierra de reculada reducida porque cumplen con los requisitos de cadena de motosierra de reculada reducida definidos en ANSI B175.1-2000. Recomendamos usar solamente las combinaciones alistadas de espadas y cadenas para los modelos de motosierras Husqvarna 235 y 240. Otros modelos de motosierras podrían no cumplir los requisitos de reculada si se equipan con las combinaciones de espada y cadena alistadas.

Espada				Cadena	
Longitud, pulgadas	Paso, pulgadas	Grosor del eslabón de arrastre, pulgadas/mm	Máximo número de dientes, cabezal de rueda	Tipo	Longitud, eslabones de arrastre (unidad)
14	3/8	0.050/1.3	7 T	H37 / 91PX	52
16	3/8	0.050/1.3	7 T	H37 / 91PX	56
18	3/8	0.050/1.3	7 T	H37 / 91PX	62

					
	inch/mm				inch/mm
H37, 91PX	5/32 / 4,0	80°	30°	0°	0.025/0,65

IMPORTANTE: Este producto es conforme con la normativa Fase 3 de la Agencia de Protección Ambiental de los Estados Unidos (EPA) referente a emisiones de escape y evaporación. Para asegurar la conformidad con EPA fase 3, se recomienda utilizar sólo repuestos originales de la marca Husqvarna. El uso de otro tipo de repuestos incumple las leyes federales.

SUS DERECHOS Y OBLIGACIONES DE GARANTIA

La EPA de los EE. UU., la junta CARB, Medio Ambiente Canadá y Husqvarna Forest & Garden se complacen en profundizar sobre los distintos aspectos de la garantía del sistema de control de emisiones del motor de pequeña cilindrada para todo terreno 2015-2016*. En EE. UU. y Canadá se deben diseñar, construir y equipar motores de pequeña cilindrada para todo terreno para que cumplan con los estrictos estándares anticontaminación atmosférica pertinentes tanto federales como de California. Husqvarna Forest & Garden debe garantizar el sistema de control de emisiones del motor de pequeña cilindrada para todo terreno durante el período de tiempo que figura a continuación, siempre y cuando no haya ningún abuso, negligencia ni mantenimiento incorrecto del motor de pequeña cilindrada para todo terreno. En el sistema de control de emanaciones se pueden incluir piezas tales como el carburador, sistema de inyección de combustible, sistema de encendido, catalizador, tanques de combustible, tuberías de combustible, tapones de combustible, válvulas, cartuchos, filtros, mangueras de vapor, abrazaderas, conectores y otros componentes asociados relacionados con las emisiones. En el caso de motores con cilindrada menor o igual a 80 cc, solamente el depósito de combustible queda sujeto a las exigencias de la garantía de control de emisiones de la presente sección (únicamente para California). Husqvarna Forest & Garden reparará su motor todoterreno de tamaño pequeño sin ningún coste para usted, incluidos el diagnóstico, las piezas y la mano de obra, siempre que se cumpla alguna de las condiciones para la garantía.

ALCANCE DE LA GARANTIA DEL FABRICANTE

El sistema de control de emisiones tiene una garantía de dos años. Si alguna de las piezas del motor de pequeña cilindrada para todo terreno relacionada con las emisiones tiene una falla, Husqvarna Forest & Garden reparará o reemplazará la pieza.

RESPONSABILIDADES DE GARANTIA DEL PROPIETARIO

- Como propietario de un motor todoterreno de tamaño pequeño, usted es responsable de llevar a cabo el mantenimiento correspondiente que figura en el manual de instrucciones. Husqvarna Forest & Garden le recomienda que guarde todos los recibos relacionados con el mantenimiento de su motor todoterreno de tamaño pequeño, si bien no podrá negarle su derecho a la garantía por el mero hecho de no tenerlos o de no haber realizado el mantenimiento estipulado.
- Sin embargo, como propietario de un motor todoterreno de tamaño pequeño, debe saber que Husqvarna Forest & Garden puede negarle la cobertura de la garantía si el motor o alguna de sus piezas falla debido a un mal uso o a modificaciones no reglamentarias.

- Es responsabilidad suya llevar su motor todoterreno de tamaño pequeño a un centro de distribución o de reparación de Husqvarna Forest & Garden tan pronto como aparezca un problema. Las reparaciones de la garantía deben finalizarse en un plazo de tiempo razonable que en ningún caso excederá los 30 días. Si tiene preguntas relacionadas con la cobertura de la garantía, debe comunicarse con Husqvarna Forest & Garden en los EE. UU., al 1-800-487-5951; y en CANADÁ, al 1-800-805-5523; o bien, enviar un correo electrónico a emissions@husqvarnagroup.com.

FECHA DE INICIO DE LA GARANTIA

El período de garantía empieza en la fecha en la que el motor o el equipo se entregan al comprador final.

DURACION DE LA GARANTIA

Husqvarna Forest & Garden garantiza al comprador final y a cada propietario posterior que el motor o el equipo está diseñado, fabricado y equipado de conformidad con las regulaciones aplicables adoptadas por la EPA y el CARB, y que no tiene defectos de fabricación ni en los materiales que puedan causar el mal funcionamiento de las piezas, cuya garantía es de dos años.

ALCANCE DE LA GARANTIA

REPARACION O SUSTITUCION DE COMPONENTES La reparación o sustitución de cualquier pieza con garantía se llevará a cabo sin coste alguno para el propietario en un centro de garantía. Husqvarna Forest & Garden proporcionará servicios de garantía o de reparación en todos los centros de distribución autorizados para reparar los motores en cuestión. Durante el período de dos años de garantía de control de emisiones, Husqvarna Forest & Garden debe tener en stock las piezas en garantía suficientes para dar respuesta a su demanda.

PERIODO DE GARANTIA Cualquier pieza en garantía que deba cambiarse según el programa de mantenimiento estará garantizada para el período de tiempo previo al primer cambio programado. Si la pieza falla antes del primer cambio programado, Husqvarna Forest & Garden reparará o la sustituirá sin ningún coste. Cualquier pieza que se repare o cambie en el periodo de garantía seguirá cubierta por la garantía durante el periodo de tiempo restante hasta el primer cambio programado. Cualquier pieza garantizada que no requiera ningún cambio según el programa de mantenimiento tiene una garantía de dos años. Si cualquiera de estas piezas falla durante el periodo de garantía, Husqvarna Forest & Garden la reparará o la sustituirá sin ningún coste. Cualquier pieza reparada o sustituida durante el periodo de garantía seguirá cubierta por esta hasta que finalice el periodo total. Cualquier pieza que solamente tenga programadas inspecciones regulares según el programa de mantenimiento tendrá una garantía de dos años. Una declaración contenida en las instrucciones según la cual la pieza se deba «reparar o cambiar cuando sea necesario» no reducirá el período de garantía. Cualquier pieza que se repare o cambie en el periodo de garantía seguirá cubierta por la garantía durante el periodo de tiempo restante.

DIAGNOSTICO El propietario no deberá pagar por el diagnóstico necesario para determinar si la pieza está defectuosa si dicho trabajo de diagnóstico se realiza en el centro de garantía.

DANOS Y PERJUICIOS Husqvarna Forest & Garden es responsable de los daños y perjuicios en otros componentes del motor causados directamente por el fallo de una pieza en garantía.

LISTA DE PIEZAS DE LA GARANTÍA DE EMISIONES

- 1 Carburador y piezas interiores
- 2 Tubo de admisión, cuerpo del filtro de aire y tornillos del carburador
- 3 Filtro de aire y filtro de combustible abarcados hasta el plan de mantenimiento
- 4 Bujía, abarcada hasta el plan de mantenimiento
- 5 Módulo de encendido
- 6 Tubo y tapón del depósito de combustible

LO QUE NO ABARCA LA GARANTIA

No se abarcan todos los fallos causados por abuso, negligencia o mantenimiento indebido.

PIEZAS AÑADIDAS O MODIFICADAS

No podrán utilizarse piezas añadidas o modificadas que no estén eximidas por el CARB o la EPA. La utilización de cualquier pieza añadida o modificada que no esté eximida será motivo suficiente para no atender una solicitud de garantía. Husqvarna Forest & Garden no se hará responsable de los fallos de piezas en garantía causados por la utilización de piezas añadidas o modificadas que no estén eximidas.

COMO HACER UNA RECLAMACION

Si tiene preguntas relacionadas con sus derechos y responsabilidades de la garantía, deberá contactarse con su concesionario de servicio autorizado más cercano o llamar a Husqvarna Forest & Garden en los EE. UU., al 1-800-487-5951; en CANADÁ, al 1-800-805-5523; o bien, enviar un correo electrónico a emissions@husqvarnagroup.com.

DONDE RECIBIR SERVICIO DE GARANTIA

Todos los distribuidores de servicios de reparación autorizados de Husqvarna Forest & Garden proporcionan servicios de garantía o de reparación.

MANTENIMIENTO, SUSTITUCION Y REPARACION DE COMPONENTES RELACIONADOS CON EMISIONES

Podrá utilizarse cualquier recambio en el mantenimiento o la reparación durante el periodo de garantía sin coste alguno para el propietario. Dicha utilización no reduce las obligaciones de garantía del fabricante.

DECLARACION DE MANTENIMIENTO

El propietario es responsable de la realización de todo el mantenimiento necesario, según se define en el manual del operador.

*El año del modelo actual y subsiguiente se actualizará anualmente en la declaración de garantía proporcionada al consumidor. Por ejemplo, en el año del modelo 2012, se especificará 2012-2013.

Precauciones de seguridad para usuarios de motosierras

(ANSI B175.1-2000 Anexo C)

Precauciones de seguridad en reculadas



ATENCIÓN! La reculada se puede producir cuando la punta de la espada toca en un objeto o cuando la madera se cierra y agarra la cadena de la motosierra en el corte.

En algunos casos el contacto de la punta de la espada puede causar una reacción de inversión rapidísima que hace rebotar la espada hacia arriba y atrás hacia el operador.

El agarre de la cadena de la motosierra a lo largo de la parte superior de la espada puede empujar la espada rápidamente hacia atrás, contra el operador.

Cualquiera de estas reacciones puede hacerle perder el control de la motosierra, con el riesgo consiguiente de daños personales graves.

No confíe exclusivamente en los dispositivos de seguridad de su motosierra. Usted, como usuario de motosierra, debe tomar varias medidas para que sus trabajos de corte no comporten riesgo de accidentes y daños personales.

Con una comprensión básica del efecto de reculada, usted puede reducir o eliminar el factor sorpresa. La sorpresa súbita contribuye a los accidentes.

Agarre firmemente la motosierra con ambas manos, con la mano derecha en la empuñadura trasera y la mano izquierda en la empuñadura delantera, cuando el motor está en marcha. Agarre fuerte con los pulgares y dedos envolviendo las empuñaduras de la motosierra. Un agarre firme le ayudará a reducir la reculada y mantener el control de la motosierra. No suelte las empuñaduras.

Asegúrese de que no hay obstáculos en la zona en que está cortando. No permita que la punta de la espada entre en contacto con troncos, ramas ni ningún otro obstáculo que pudiera tocarse cuando se utiliza la motosierra.

Corte con velocidades altas del motor.

No extienda demasiado ni corte por encima de la altura del hombro.

Siga las instrucciones de afilado y mantenimiento del fabricante de la cadena.

Utilice solamente las espadas y cadenas de repuesto especificadas por el fabricante o equivalentes.

Otras precauciones de seguridad



¡ATENCIÓN! No maneje la motosierra con una mano. El manejo con una sola mano comporta riesgo de daños graves al operador, los ayudantes, espectadores o a una combinación de estas personas. Las motosierras están concebidas para usar con dos manos.

No utilice una motosierra si está fatigado.

Use calzado, ropas ceñidas, guantes protectores y protecciones de ojos, auriculares y de cabeza.

Proceda con cuidado al manipular combustible. Aparte la motosierra a como mínimo 3 metros del lugar de repostaje antes de poner en marcha el motor.

No permita la presencia de otras personas cerca de la motosierra al ponerla en marcha o al cortar. Mantenga a los espectadores y animales fuera de la zona de trabajo.

No empiece a cortar sin tener la zona de trabajo esté despejada, los pies firmemente en el suelo y una ruta de retirada del árbol abatido.

Mantenga todas las partes de su cuerpo apartadas de cadena de la motosierra cuando funciona el motor.

Antes de poner en marcha el motor, compruebe que la cadena de la motosierra no toca en nada.

Transporte la motosierra con el motor parado, la espada y la cadena en la parte trasera y el silenciador apartado de su cuerpo.

No utilice una motosierra que esté dañada, incorrectamente ajustada o que no esté armada completamente y de forma segura. Compruebe que la cadena de la motosierra deja de moverse cuando se suelta el acelerador.

Pare el motor antes de colocar la motosierra en el suelo.

Proceda con suma precaución al cortar arbustos y arbolitos pequeños porque podría agarrarse material fino en la cadena y ser lanzado contra usted o hacerle perder el equilibrio.

Cuando corte una rama tensada, preste atención al retorno para que no le golpee cuando se suelta la tensión en las fibras de madera.

Mantenga las empuñaduras secas, limpias y libres de aceite o mezcla de combustible.

Utilice la motosierra solamente en áreas bien ventiladas.

No utilice una motosierra en un árbol si no ha sido especialmente formado para ello.

No utilice una motosierra por encima de la altura del hombro.

Todos los trabajos de servicio de una motosierra, excepto los que se indican en las instrucciones de seguridad y mantenimiento del manual del operador/proprietario, deben ser realizados por técnicos de servicio de motosierras competentes. (Por ejemplo, si se utilizan herramientas inadecuadas para desmontar el volante o si se usa una herramienta inadecuada para sujetar el volante cuando se desmonta el embrague, pueden producirse daños estructurales en el volante que causen la rotura del mismo.)

Para transportar la motosierra, utilice la protección de espada adecuada.

Aclaración: Este anexo está destinado principalmente al consumidor o usuario ocasional.

1154210-49

2014-12-03, Rev.8