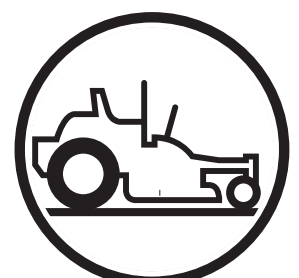


# **Operator Manual**

# **EZ24T**



Please read the operator manual carefully and make sure you understand the instructions before using the machine.

**English**

**When this product is worn out and no longer used, it should be returned to the reseller or other party for recycling.**

**In order to implement improvements, specifications and designs can be altered without prior notification.**

**Note that no legal demands can be placed based on the information contained in these instructions.**

**Use only original parts for repairs. The use of other parts voids the warranty.**

**Do not modify or install non-standard equipment to the unit without consent from the manufacturer. Modifications to the unit may cause unsafe operations or damage the unit.**

---

# CONTENTS

---

INTRODUCTION .....	5	Mowing Tips .....	31
Driving and Transport on Public Roads .....	5	Stopping the Engine.....	32
Towing .....	5	Moving Machine By Hand.....	33
Operating .....	5	ZT-2800 Bypass Linkages .....	33
Good Service .....	6	MAINTENANCE.....	34
Manufacturing Number .....	6	Maintenance Schedule .....	34
SYMBOLS AND DECALS.....	7	Battery .....	36
SAFETY .....	9	Safety System.....	37
Safety Instructions.....	9	Parking Brake.....	37
Personal Safety Equipment.....	11	Tyre Pressures .....	37
Slope Operation .....	11	V-belts .....	38
Safe Handling of Petrol.....	13	Pump Belt.....	39
General Maintenance.....	14	Cutting Blades.....	40
Transport .....	16	Blade replacement.....	40
CONTROLS.....	17	Adjusting the Mower Deck .....	41
Control Locations .....	17	Levelling deck .....	41
Steering Control Levers.....	18	Anti-Scalp Rollers.....	42
Parking Brake.....	19	Cleaning .....	43
Throttle Control.....	19	Castor Wheels .....	43
Blade Switch .....	19	Hardware.....	43
Ignition Switch .....	20	LUBRICATION.....	44
Choke Control .....	20	Front Wheel Mount .....	45
Fuses.....	20	Front Wheel Bearings.....	45
Fuel Tank .....	21	Transaxle (Transmission) Fluid Change .....	46
Fuel Shut Off Valve .....	22	TROUBLESHOOTING.....	47
Cutting Height Adjuster.....	22	STORAGE .....	49
Seat Adjustment Lever .....	22	Winter Storage.....	49
Hour Meter .....	23	Service .....	49
Tracking Knob .....	23	SCHEMATIC.....	50
Hydro Release Levers.....	23	TECHNICAL DATA .....	51
OPERATION .....	24	Accessories.....	51
Training.....	24	Torque Specifications.....	51
Steering .....	24	CONFORMITY CERTIFICATES.....	54
Before Starting .....	25	SERVICE JOURNAL.....	55
Starting the Engine.....	25		
Weak Battery.....	28		
Jumper Cables.....	28		
Operating On Hills.....	30		



**WARNING!**

Engine exhaust, some of its constituents, and certain vehicle components contain or emit chemicals known to the State of California to cause cancer and birth defects or other reproductive harm.



**WARNING!**

Failure to follow cautious operating practices can result in serious injury to the operator or other persons. The owner must understand these instructions, and must allow only trained persons who understand these instructions to operate the mower.

Each person operating the mower must be of sound mind and body and must not be under the influence of any mind altering substance.



**WARNING!**

Battery posts, terminals and related accessories contain lead and lead compounds, chemicals known to the State of California to cause cancer and birth defects or other reproductive harm. Wash hands after handling.



---

# INTRODUCTION

---

## **Congratulations**

Thank you for purchasing a Husqvarna ride-on mower. This machine is built for superior efficiency to rapidly mow primarily large areas. A control panel easily accessible to the operator and a hydrostatic transmission regulated by steering controls both contribute to the machine's performance.

This manual is a valuable document. Read the contents carefully before using or servicing the machine. The following of instructions (use, service, maintenance) by all who operate this machine is important for the safety of the operator and others. It can also considerably increase the life span of the machine and increase its resale value.

If you sell your machine, be sure to give the operator's manual to the new owner.

The final chapter of this operator manual provides a Service Journal. Ensure that service and repair work are documented. A well-kept service journal reduces service costs for the maintenance and affects the machine's resale value. Please contact your dealer for more information. Take the operator's manual along when the machine is taken to your dealer for service.

## **General**

In this operator's manual, left and right, backward and forward are used in relation to the machine's normal driving direction.

Continuous dedication to improve our products requires that specifications and design are subject to change without notice.

## **Driving and Transport on Public Roads**

Check applicable road traffic regulations before transporting on public roads. If the machine is transported, you must always use approved fastening equipment and ensure that the machine is well anchored. DO NOT operate this machine on public roadways.

## **Towing**

If machine is equipped with a tow hitch, use extreme caution when towing. Never allow children or others in or on the towed equipment. Make wide turns to avoid jack-knifing. Travel slowly and allow extra distance to stop.

Do not tow on sloped ground. The weight of the towed equipment may cause loss of traction and loss of control.

Follow the manufacturer's recommendation for weight limits for towed equipment. Do not tow near ditches, canals, and other hazards.

## **Operating**

This machine is constructed only for mowing grass on lawns and even ground without obstacles such as stones, tree stumps, etc. The machine can also be used for other tasks when equipped with special accessories provided by the manufacturer. Operating instructions for the accessories are provided with delivery. All other types of uses are incorrect. The manufacturer's directions concerning operation, maintenance, and repairs must be carefully followed.

Lawn mowers and all power equipment, can be potentially dangerous if used improperly. Safety requires good judgement, careful use in accordance with these instructions and common sense.

The machine must only be operated, maintained, and repaired by persons familiar with the machine's special characteristics and who are also knowledgeable about the safety instructions. Use only approved repair parts to maintain this machine.

Accident prevention regulations, other general safety regulations, occupational safety rules, and traffic regulations must be followed without fail.

Unauthorized modifications to the design of the machine may absolve the manufacturer from liability for any resulting personal injury or property damage.

---

# INTRODUCTION

---

## Good Service

Husqvarna's products are sold all over the world and only in specialized retail stores with complete service. This ensures that you as a customer receive only the best support and service. Before the product is delivered, the machine has, for example, been inspected and adjusted by your retailer. See the certificate in the Service Journal in this operator's manual.

When you need spare parts or support in service questions, warranty issues, etc., please consult the following professional:

This manual belongs to the machine with the manufacturing number:	Engine	Transmission

## Manufacturing Number

*The machine's manufacturing number can be found on the printed plate affixed to the engine compartment.*

Stated on the plate, from the top are:

- The machine's type designation (I.D.).
- The manufacturer's type number (Model).
- The machine's serial number (Serial no.)

*Please have the type designation and serial number available when ordering spare parts.*

The engine's manufacturing number is stamped on one of the valve covers.

The plate states:

- The engine's model.
- The engine's type.
- Code

*Please have these available when ordering spare parts.*

The wheel motors and hydrostatic pumps have a barcode decal affixed at the rear.



# SYMBOLS AND DECALS

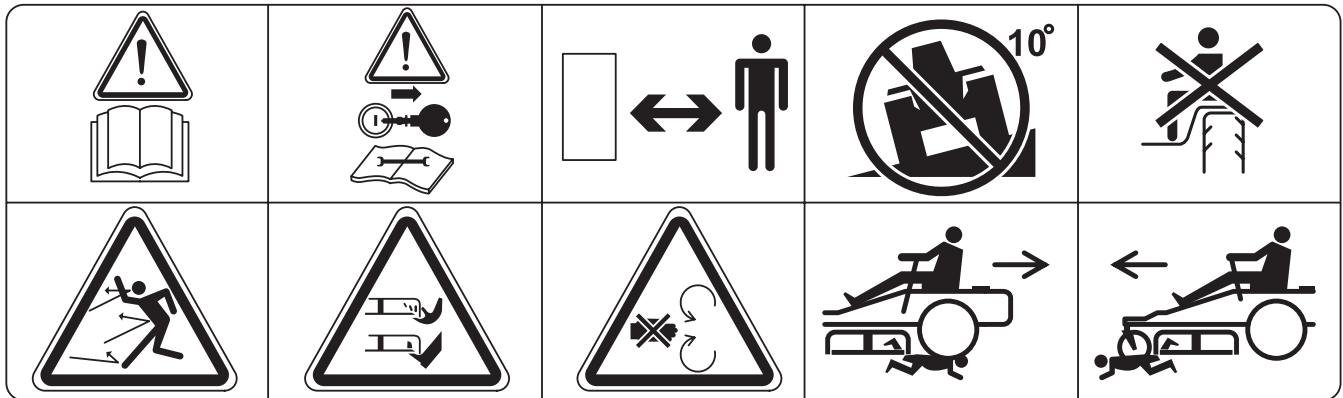
Read  
Operator's  
Manual

Shut off engine and  
remove key before  
performing any  
maintenance or repair work

Keep a safe  
distance from  
the machine

Use on slopes  
no greater  
than 10°

No passengers



Whole body  
exposure to  
thrown objects

Severing of fingers  
and toes

Do not open or  
remove safety  
shields while  
engine is running

Careful backing up,  
watch for other  
people

Careful going  
forward, watch for  
other people



Moving sharp blades under cover

# SAFETY

## Safety Instructions

These instructions are for your safety. Read them carefully.



### WARNING!

**THIS CUTTING MACHINE IS CAPABLE OF AMPUTATING HANDS AND FEET AND THROWING OBJECTS. FAILURE TO OBSERVE THE FOLLOWING SAFETY INSTRUCTIONS COULD RESULT IN SERIOUS INJURY OR DEATH.**

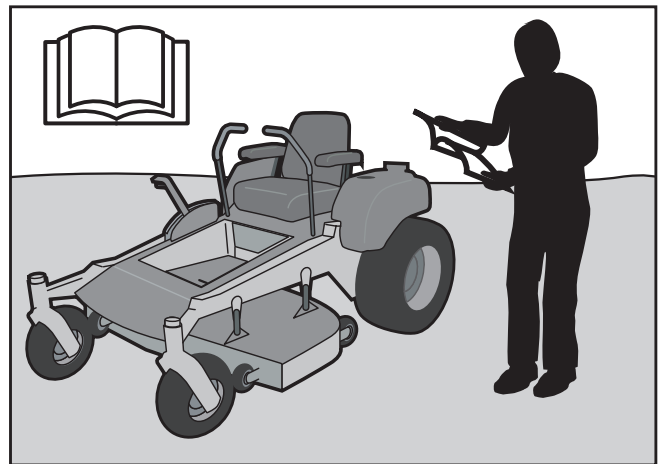


### WARNING!

**This symbol means that important safety instructions need to be emphasized. It concerns your safety.**

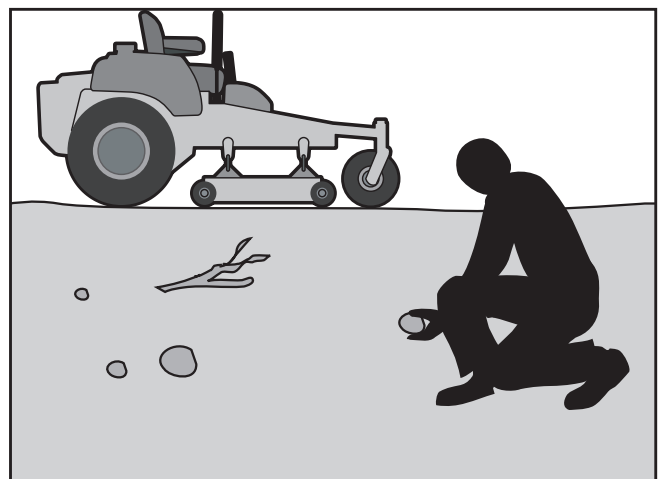
## General Operation

- Read, understand, and follow all instructions on the machine and in the manual before starting.
- Do not put hands or feet near rotating parts or under the machine. Keep clear of the discharge opening at all times.
- Only allow responsible adults, who are familiar with the instructions, to operate the machine.
- Clear the area of objects such as rocks, toys, wire, etc., which could be picked up and thrown by the blades.
- Be sure the area is clear of bystanders before operating. Stop machine if anyone enters the area.
- Never carry passengers. The machine is only intended for use by one person.
- Do not mow in reverse unless absolutely necessary. Always look down and behind before and while backing.
- Never direct discharged material toward anyone. Avoid discharging material against a wall or obstruction. Material may ricochet back toward the operator. Stop the blades when crossing gravel surfaces.
- Do not operate machine without the entire grass catcher, discharge guard, or other safety devices in place and working.
- Slow down before turning.
- Never leave a running machine unattended. Always turn off blades, set parking brake, stop engine, and remove keys before dismounting.
- Disengage blades when not mowing. Shut off engine and wait for all parts to come to a complete stop before cleaning the machine, removing the grass catcher, or unclogging the discharge guard.



8011-512

*Read the operator's manual before starting the machine*



8011-513

*Clear the area of objects before mowing*

---

# SAFETY

---

- Operate machine only in daylight or good artificial light.
- Do not operate the machine while under the influence of alcohol or drugs.
- Watch for traffic when operating near or crossing roadways.
- Use extra care when loading or unloading the machine into a trailer or truck.
- Always wear eye protection when operating machine.
- Data indicates that operators age 60 years and above are involved in a large percentage of riding mower-related injuries. These operators should evaluate their ability to operate the riding mower safely enough to protect themselves and others from serious injury.
- Follow the manufacturer's recommendation for wheel weights or counterweights.
- Anyone who operates this machine must first read and understand this Operation Manual. Local laws may regulate the age of the user.
- Keep machine free of grass, leaves or other debris buildup which can touch the hot exhaust or engine parts and burn. Do not allow the mower deck to plough leaves or other debris, causing buildup to occur.
- Clean any oil or fuel spillage before operating or storing the machine.
- Allow machine to cool before storage.



8011-520

*Never take passengers*



## **WARNING!**

**Engine exhaust and certain vehicle components contain or emit chemicals considered to cause cancer, birth defects, or other reproductive system damage. The engine exhaust contains carbon monoxide, which is a odourless, colourless, poisonous gas. Do not use the machine in enclosed spaces.**

# SAFETY

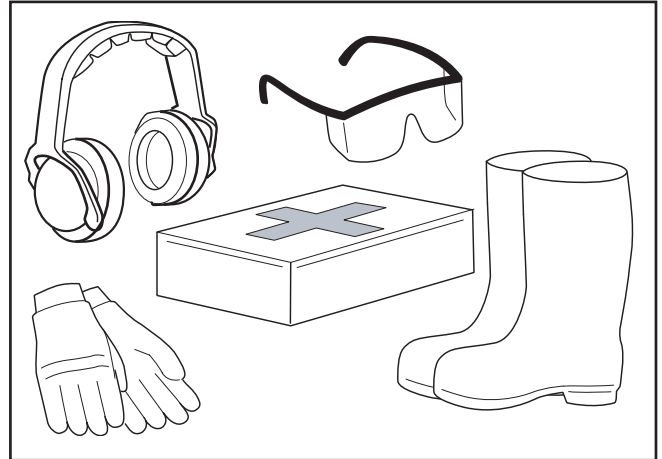
## Personal Safety Equipment



### WARNING!

**When using the machine, approved personal protective equipment (shown in illustrations) shall be used. Personal protective equipment cannot eliminate the risk of injury but it will reduce the degree of injury if an accident does happen. Ask your retailer for help in choosing the right equipment.**

- Make sure that you have first aid equipment close at hand when using the machine.
- Never use the machine when barefoot.
- Always wear protective shoes or boots, preferably with steel toe caps.
- Always wear approved protective glasses or a full visor when assembling or driving.
- Always wear gloves when handling the blades.
- Never wear loose clothing that can get caught in moving parts.
- Use ear protectors to avoid damage to hearing.



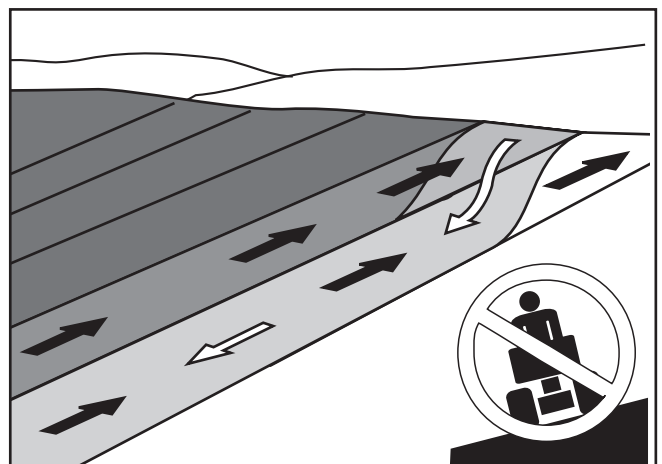
*Personal protective equipment*

8011-670a

## Slope Operation

Slopes are a major factor related to loss of control and tip-over accidents, which can result in severe injury or death. Operation on all slopes requires extra caution. If you cannot back up the slope or if you feel uneasy on it, do not mow it.

- Mow up and down slopes (10 degrees maximum), not across.
- Watch for holes, ruts, bumps, rocks, or other hidden objects. Uneven terrain could overturn the machine. Tall grass can hide obstacles.
- Choose a low ground speed so that you will not have to stop while on the slope.
- Do not mow on wet grass. Tires may lose traction.
- Avoid starting, stopping, or turning on a slope. If the tyres lose traction, disengage the blades and proceed slowly straight down the slope.
- Keep movement on the slopes slow and gradual. Do not make sudden changes in speed or direction, which could cause machine to roll over.
- Use extra care while operating machine with grass catchers or other attachments; they can affect the stability of the machine.
- Do not use on steep slopes.
- Do not try to stabilize the machine by putting a foot on the ground.
- Do not mow near drop-offs, ditches, or embankments. The machine could suddenly roll over if a wheel is over the edge or if the edge caves in.



*Mow up and down, not side to side*

6003-004



### WARNING!

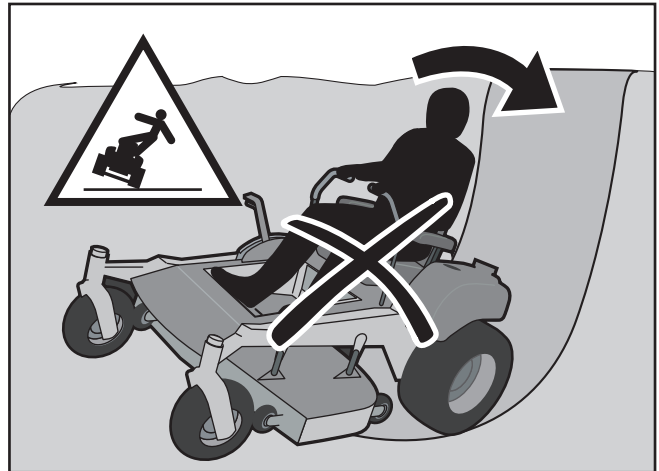
**Do not drive up or down hills with slopes greater than 10 degrees. Do not drive across any slopes.**

# SAFETY

## Children

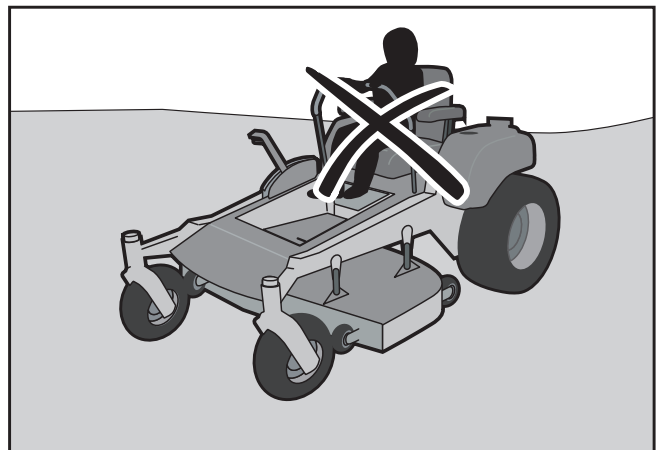
Tragic accidents can occur if the operator is not alert to the presence of children. Children are often attracted to the machine and the mowing activity. **Never** assume that children will remain where you last saw them.

- Keep children out of the mowing area and in the watchful care of a responsible adult other than the operator.
- Be alert and turn machine off if a child enters the area.
- Before and while backing, look behind and down for small children.
- Never carry children, even with the blades shut off. They may fall off and be seriously injured or interfere with safe machine operation. Children who have been given rides in the past may suddenly appear in the mowing area for another ride and be run over or backed over by the machine.
- Never allow children to operate the machine.
- Use extra care when approaching blind corners, shrubs, trees, or other objects that may block your view of a child.



8011-519

*Be extra cautious when driving on slopes*



8011-517

*Never allow children to operate the machine*



8011-518

*Keep children away from work area*



# SAFETY



## WARNING!

**The engine must not be started when the driver's floor plate or any protective plate for the mower deck's drive belt is removed.**

## Safe Handling of Petrol

To avoid personal injury or property damage, use extreme care in handling petrol. Petrol is extremely flammable and the vapours are explosive.

- Extinguish all cigarettes, cigars, pipes, and other sources of ignition.
- Use only approved petrol containers.
- Never remove gas cap or add fuel with the engine running. Allow engine to cool before refuelling.
- Never fuel the machine indoors.
- Never store the machine or fuel container where there is an open flame, spark, or pilot light such as on a water heater or other appliance.
- Before you begin refuelling, minimise the risk of static electricity by touching a metal surface.
- Never fill containers inside a vehicle or on a truck or trailer bed with plastic liner. Always place containers on the ground away from the vehicle when filling.
- Remove gas-powered equipment from the truck or trailer and refuel it on the ground. If this is not possible, refuel such equipment with a portable container, rather than from a petrol dispenser nozzle.
- Keep the nozzle in contact with the rim of the fuel tank or container opening at all times until fuelling is complete. Do not use a nozzle lock-open device.
- If fuel is spilled on clothing, change clothing immediately.
- Never overfill fuel tank. Replace fuel cap and tighten securely.
- Do not start the engine near spilled fuel.
- Never use petrol as a cleaning agent.
- If leaks arise in the fuel system, the engine must not be started until problem has been resolved.
- Check the fuel level before each use and leave space for the fuel to expand, as the heat from the engine and the sun may otherwise cause the fuel to expand and overflow.



8011-516

*Never fill the fuel tank indoors*



## WARNING!

**The engine and the exhaust system become very hot during operation.**

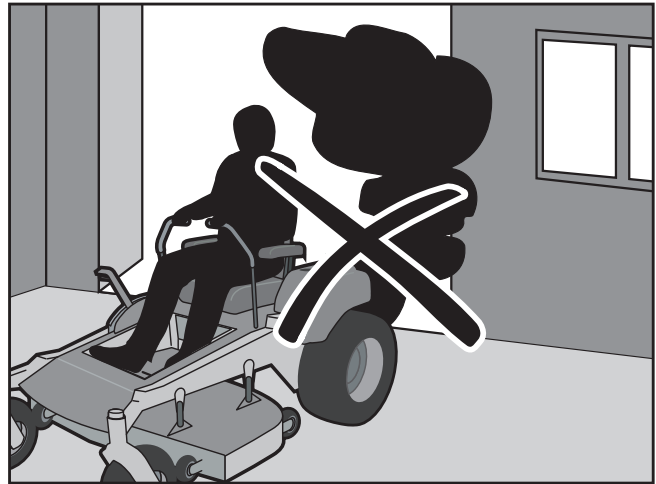
**There is risk for burns if touched.**

**Allow engine and exhaust system to cool before refuelling.**

# SAFETY

## General Maintenance

- Never operate machine in a closed area.
- Keep all nuts and bolts tight to be sure the equipment is in safe working condition.
- Never tamper with safety devices. Check their proper operation regularly.
- Keep machine free of grass, leaves, or other debris buildup. Clean oil or fuel spillage and remove any fuel-soaked debris. Allow machine to cool before storing.
- If you strike a foreign object, stop and inspect the machine. Repair, if necessary, before restarting.
- Never make any adjustments or repairs with the engine running.
- Check grass catcher components and the discharge guard frequently and replace with manufacturer's recommended parts, when necessary.
- Mower blades are sharp. Wrap the blade or wear gloves, and use extra caution when servicing them.
- Check brake operation frequently. Adjust and service as required.
- Maintain or replace safety and instruction labels, as necessary.
- Do not modify safety equipment. Check regularly to be sure it works properly. The machine must not be driven with defective or unmounted protective plates, protective cowlings, safety switches, or other protective devices.
- Do not change the settings of governors and avoid running the engine with overly high engine speeds. If you run the engine too fast, you risk damaging the machine components.
- Be very careful when handling battery acid. Acid on skin can cause serious corrosive burns. If you spill battery acid on your skin, rinse immediately with water.
- Acid in the eyes can cause blindness, contact a doctor immediately.
- Be careful when servicing the battery. Explosive gases form in the battery. Never perform maintenance on the battery when smoking or near open flames or sparks.
- The battery can explode and cause serious injury or damage.
- Ensure that nuts and bolts, especially the fastening bolts for the blade attachments, are properly tightened, torqued and that the equipment is in good condition.



8011-515

*Never drive the machine in an enclosed space*



### WARNING!

**Use protective glasses for maintenance work.**



### WARNING!

**The battery contains lead and lead compounds, chemicals that are considered to cause cancer, birth defects, and other reproductive system damage. Wash your hands after handling the battery.**

# SAFETY

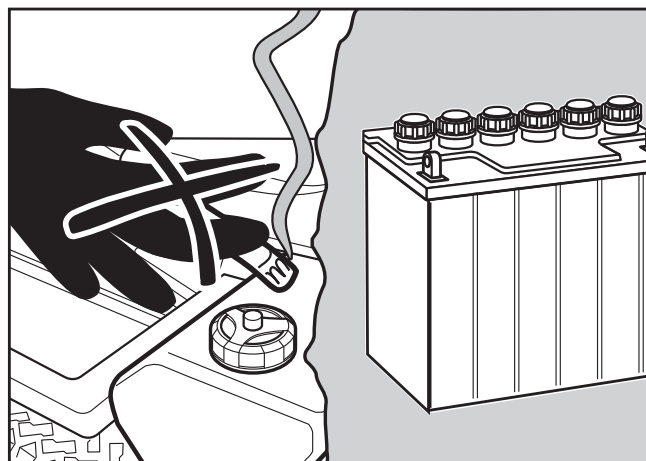
Sparking can occur when working with the battery and the heavy cables of the starter circuit. This can cause battery explosion, fire or eye injury. Sparking in this circuit cannot occur after the chassis cable (normally negative, black) is removed from the battery.



## WARNING!

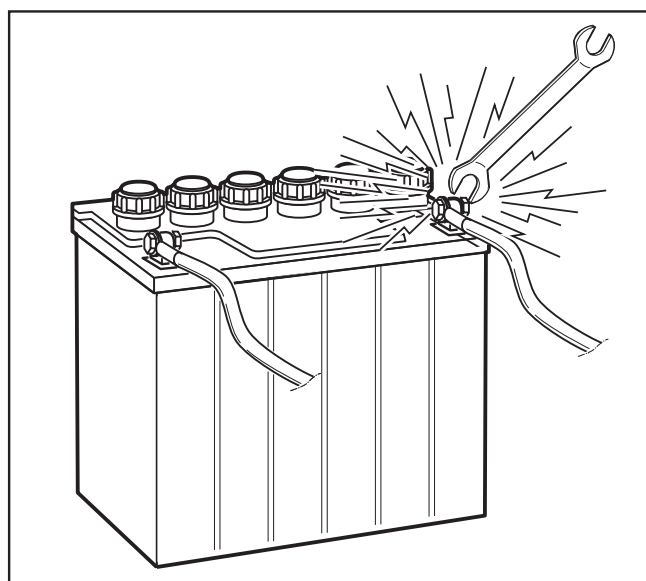
**Avoid electrical sparking and its consequences by the following routines:**

- Use protective goggles.
  - Ensure that the fuel filler cap is mounted tightly and no flammable substances are stored in an open vessel.
  - Never work with the starter circuit if there is spilled fuel.
  - Disconnect the chassis cable from the battery first and reconnect it last.
  - Do not make a bridge short circuit across the starter relay to run the starter.
- 
- Never use the machine indoors or in spaces lacking proper ventilation. The exhaust fumes contain carbon monoxide, an odourless, poisonous, and lethal gas.
  - Stop to inspect the equipment if you run over or into anything. If necessary, make repairs before starting.
  - Never make adjustments with the engine running.



6003-009

*Do not smoke when performing maintenance on the battery. The battery can explode and cause serious injury/damage.*



8009-728

*Risk of sparking*

# SAFETY

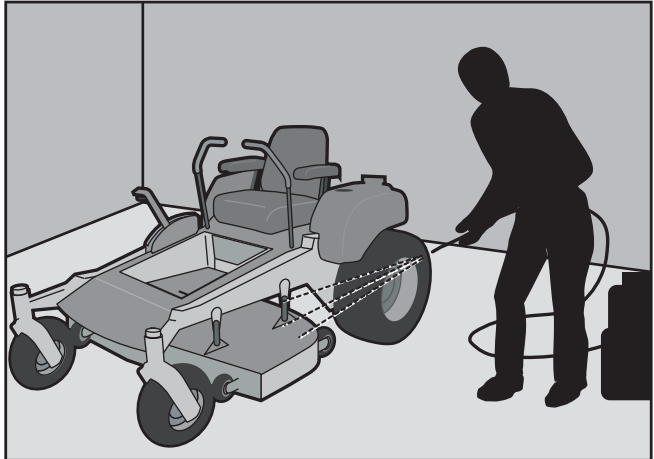
- The machine is tested and approved only with the equipment originally provided or recommended by the manufacturer. Only use approved repair parts for the machine.
- The blades are sharp and can cause cuts and gashes. Wrap the blades or use protective gloves when handling them.
- Check the parking brake's functionality regularly. Adjust and service as necessary.
- The mulch blades should only be used in familiar areas when higher quality mowing is desired.
- Reduce the risk of fire by removing grass, leaves, and other debris that may have accumulated on the machine.
- Allow the machine to cool before putting it in storage.
- Regularly clean deck and underside of deck, avoid spraying engine and electrical components with water.

## IMPORTANT INFORMATION

**The parking brake is not sufficient to lock the machine in place during transport. Ensure that the machine is well fastened to the transport vehicle. Always reverse the machine onto the transport vehicle to avoid tipping it over.**

## Transport

- The machine is heavy and can cause serious crushing injuries. Be extra cautious when it is loaded on or unloaded from a vehicle or trailer.
- Use an approved trailer to transport the machine. Activate the parking brake, turn off the fuel supply, and fasten the machine with approved fastening devices, such as bands, chains, or straps, when transporting.
- Do not operate this machine on public roadways.
- Check and abide by local traffic rules before transporting the machine on any road.
- Do not tow this machine, it may cause damage to the drive system.
- Do not tow any trailers, etc. with this mower. They may jackknife or overturn causing damage to the mower and possibly serious injury to the operator.
- Load the unit onto truck or trailer by driving up ramps of suitable strength using a slow speed. Do not lift! The machine is not intended to be lifted by hand.



8011-514

*Regularly clean deck*



### WARNING!

**Escaping hydraulic oil under pressure can have sufficient force to penetrate the skin, causing serious injury. If injured by escaping fluid, see a doctor at once. Serious infection or reaction can develop if proper medical treatment is not administered immediately.**



### WARNING!

**This mower is equipped with an internal combustion engine and should not be used on or near any unimproved forested, bush covered or grassy lands unless the engine's system is equipped with a spark arrester meeting applicable local or regional laws (if any). If a spark arrester is used, it should be maintained in effective working order by the operator.**



### WARNING!

**Use extreme caution when loading the machine into a truck or trailer using ramps. There is the possibility of serious injury or death if the machine falls off the ramps.**

---

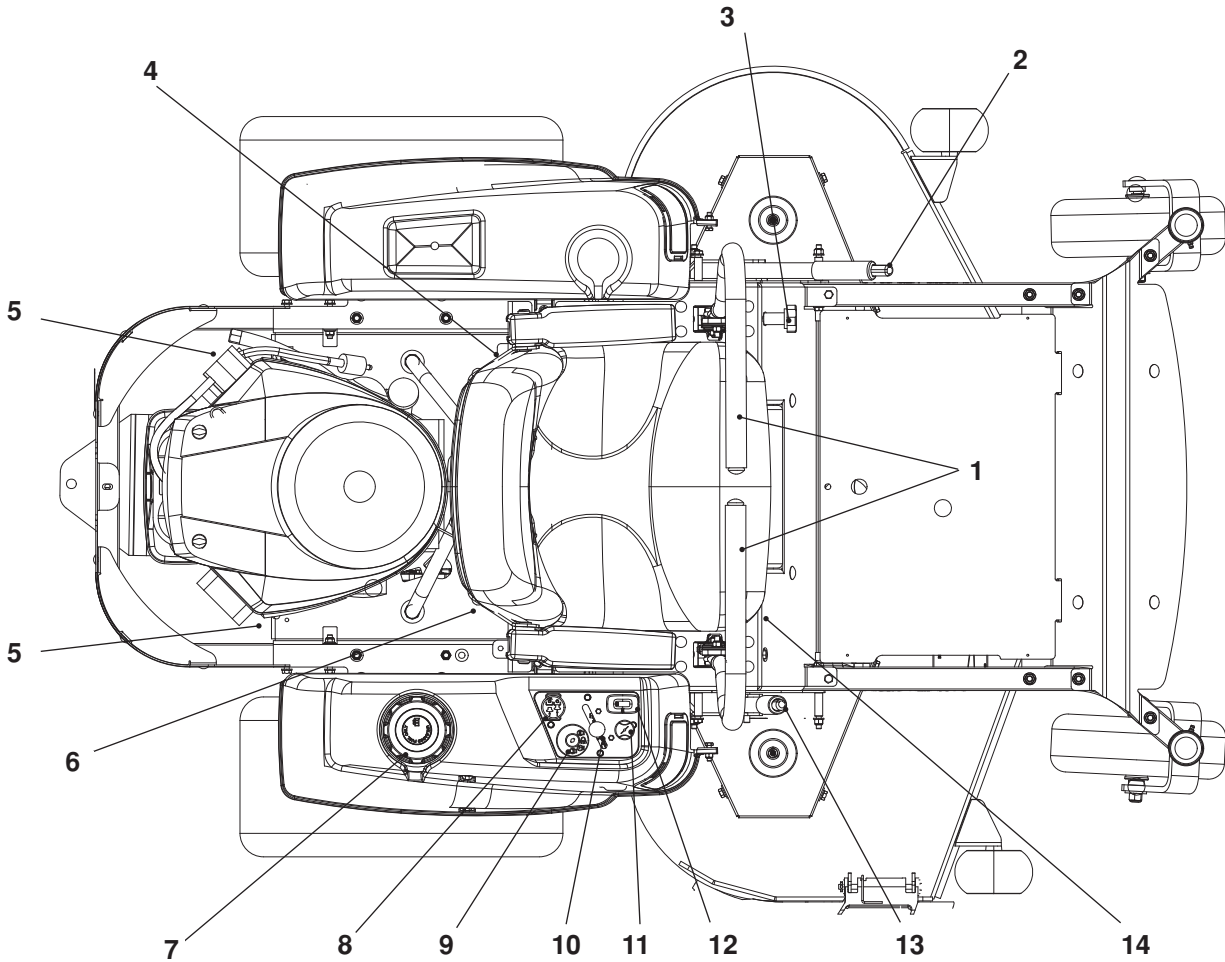
# CONTROLS

---

This operator's manual describes the Husqvarna Zero Turn Rider. The rider is fitted with Briggs & Stratton four-stroke overhead valve engine.

Transmission from the engine is made via a belt-driven hydraulic pumps. Using the left and right steering controls, the flow is regulated and thereby the direction and speed.

## Control Locations



- |                            |                           |
|----------------------------|---------------------------|
| 1. Steering control levers | 8. Blade switch           |
| 2. Parking brake           | 9. Ignition switch        |
| 3. Tracking adjustment     | 10. Throttle control      |
| 4. Fuses                   | 11. Choke control         |
| 5. Hydro release levers    | 12. Hour meter            |
| 6. Fuel shut off valve     | 13. Deck lift             |
| 7. Fuel tank cap           | 14. Seat adjustment lever |

# CONTROLS

## Steering Control Levers

The machine's speed and direction are continuously variable using the two steering controls. The steering controls can be moved forward or backward about a neutral position. Furthermore, there is a neutral position, which is locked if the steering controls are moved outward.

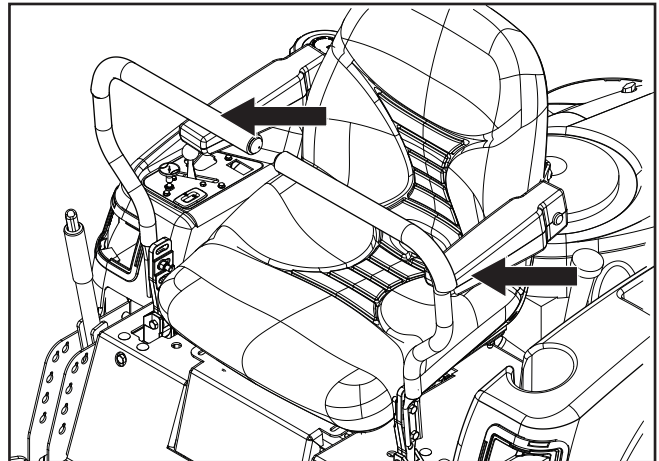
When both controls are in the neutral position (N), the machine stands still.

By moving both controls an equal amount forward or backward, the machine moves in a straight line forward or backward respectively.

In order, for example, to turn right while moving forward, move the right control towards the neutral position. The rotation of the right wheel is reduced and the machine turns to the right.

Zero turn can be achieved by moving one control backward (behind the neutral position) and carefully moving the other steering control forward from its neutral position. The rotation direction when zero turning is determined by which steering control is moved backward behind the neutral position. If the left steering control is pulled backward, the machine turns to the left. Use extra care when using this manoeuvre.

If the steering controls are in uneven positions when standing still or do not fit in the slots for moving the controls outward, they can be adjusted.



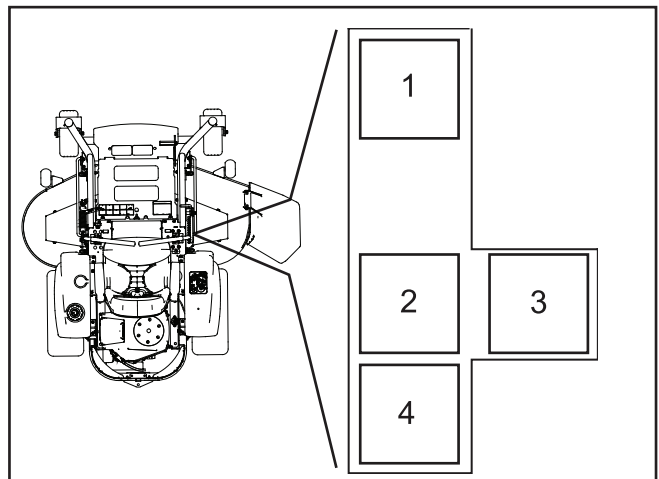
8058-022

Steering controls



### WARNING!

The machine can turn very rapidly if one steering control is moved much further forward than the other.



8011-7912a

1. Forward
2. Neutral
3. Neutral slot, Neutral lock
4. Reverse

Motion control lever, right side

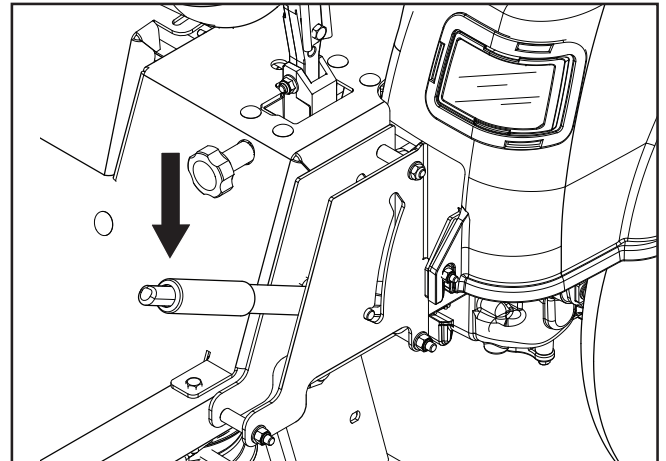
# CONTROLS

## Parking Brake

### IMPORTANT INFORMATION

**The machine must stand absolutely still when applying the parking brake. Always set the parking brake before dismounting. Release the parking brake before moving the mower.**

The parking brake is found on the left of the machine. Push button and pull the lever backward to activate the brake and push button and push forward to release it.



*Parking brake released*

8058-020

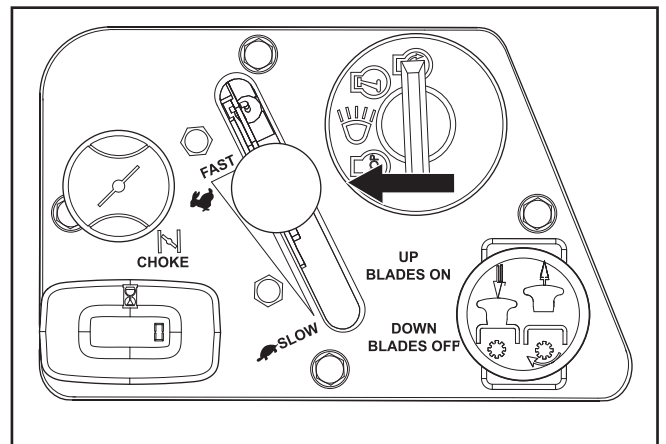
## Throttle Control

The throttle control regulates the engine speed and thereby the rate of rotation of the blades, assuming the blade switch is pulled out, see Engaging the Mower Deck.

In order to increase or decrease the engine speed, the control is moved forward or back respectively.

Avoid idling the engine for long periods, as there is a risk of fouling the spark plugs.

USE FULL THROTTLE WHEN MOWING, for best mower performance and battery charging.

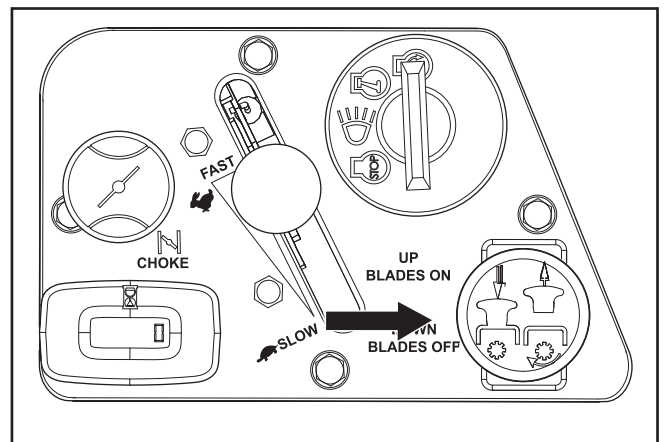


*Throttle control*

8052-001

## Blade Switch

In order to engage the mower deck, pull the knob out; the mower blades are disengaged when the knob is depressed.



*Blade switch*

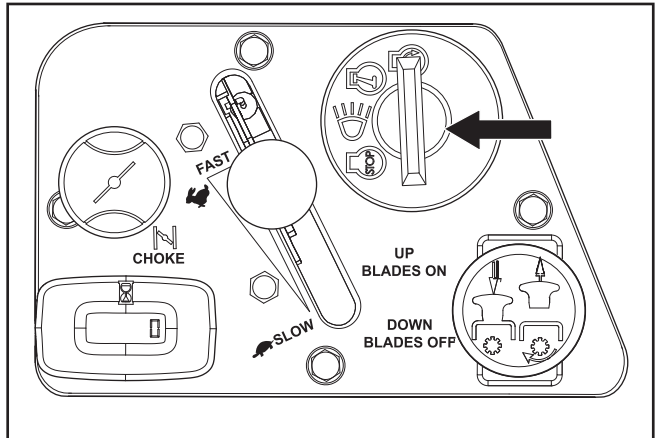
8052-001



# CONTROLS

## Ignition Switch

The ignition switch is placed on the control panel and is used to start and stop the engine.



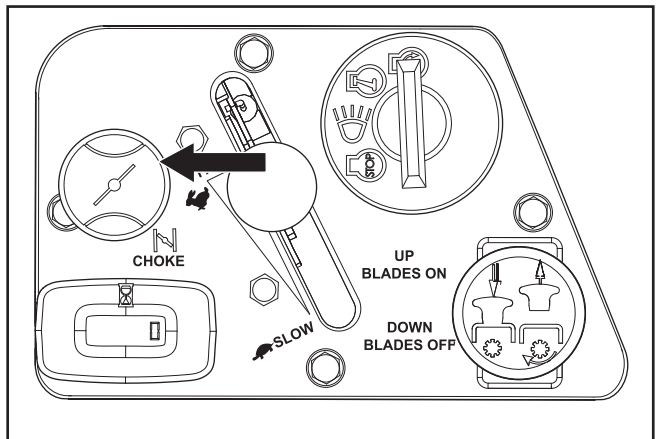
8052-001

*Ignition switch*

## Choke Control

The choke control is used for cold starts in order to provide the engine with a richer fuel mixture.

For cold starts the control should be pulled up.



8052-001

*Choke control*

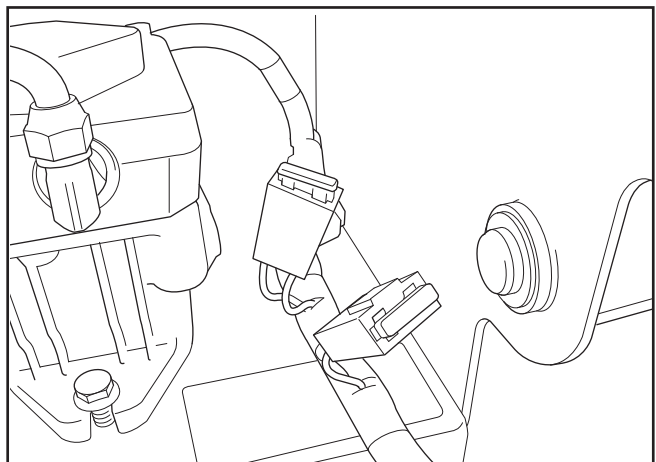
## Fuses

Fuses are located under the seat of the machine. They are accessed by tilting the seat forward. They are flat pin fuses of the same type used in cars.

There are two fuses with ratings and functions:

20 Amp Primary fuse

7.5 Amp Mower deck coupling



8011-420

*Fuses*



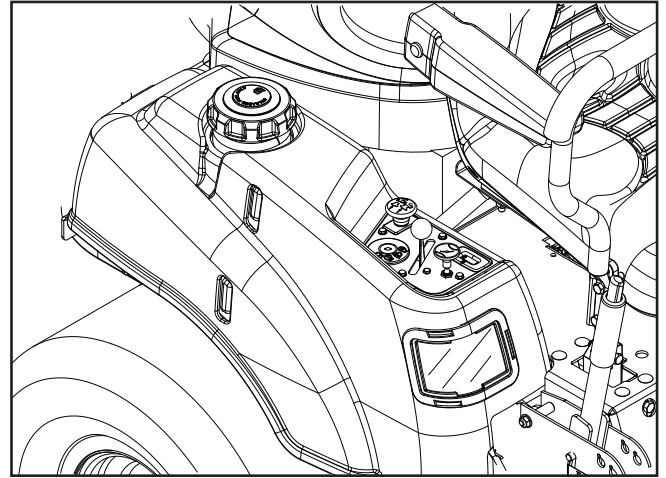
# CONTROLS

## Fuel Tank

Read the safety instructions before refuelling. The machine has one fuel tank, just behind the seat. The tank capacity is 4 gallons (15.1 litres).

Regularly check the fuel cap gasket for damage and keep the cap properly tightened.

The engine will run on a minimum of 87-octane unleaded petrol (no oil mix). Environmentally adapted alkylate petrol can be used. See also Technical Data concerning ethanol fuel. Methanol fuel is not allowed. Do not use E85 alcohol based fuel. Damage to engine and components may occur.



8058-021

*Fuel tank*



### WARNING!

**Petrol is highly flammable. Observe caution and fill the tank outdoors (see the safety instruction).**



### WARNING!

**The engine and the exhaust system, become very hot during operation.**

**Risk for burns if touched.**

**Allow engine and exhaust system to cool before refuelling.**



### WARNING!

**Fill to bottom of filler neck. Do not overfill. Wipe off any spilled oil or fuel. Do not store, spill or use petrol near an open flame.**

### IMPORTANT INFORMATION

**Experience indicates that alcohol blended fuels (called gasohol, ethanol or methanol) can attract moisture which leads to separation and formation of acids during storage. Acidic gas can damage the fuel system of an engine while in storage. To avoid engine problems, the fuel system should be emptied before storage of 30 days or longer. Drain the gas tank, start the engine and let it run until the fuel lines and carburettor are empty. Use fresh fuel the next season. See Storage Instructions for additional information. Never use engine or carburettor cleaners in the fuel tank or permanent damage may occur.**

When operating in temperatures below 32° F. (0° C.), use fresh, clean winter grade petrol to insure good cold weather starting.

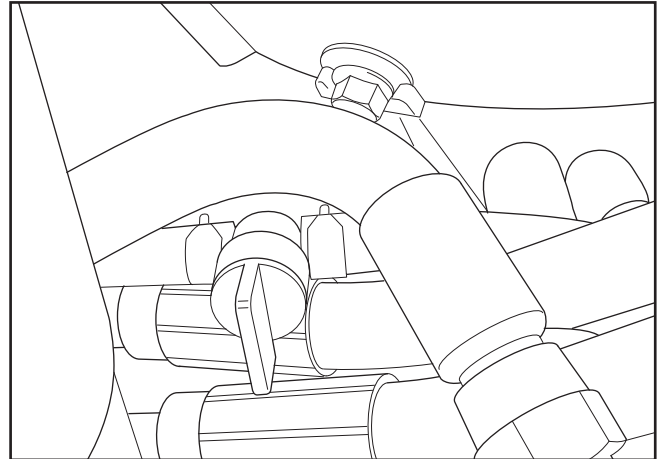
# CONTROLS

## Fuel Shut Off Valve

The fuel shut off valve is located at the left rear of the seat. The valve is off when the handle tab is turned perpendicular to the fuel line.

### IMPORTANT INFORMATION

**Always raise the deck to the highest position for transport.**



8011-419

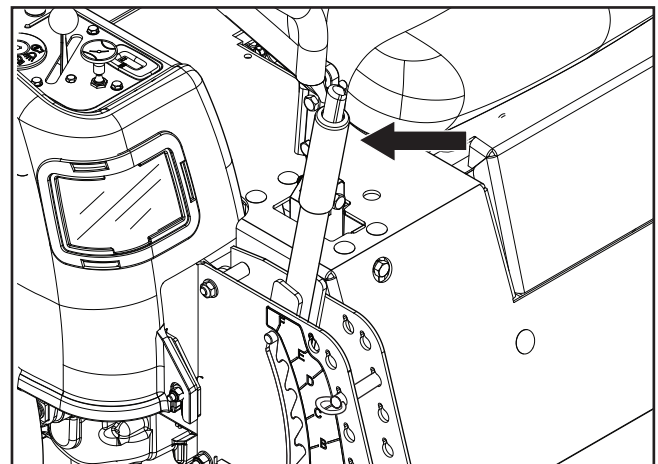
*Fuel shut off valve in the CLOSED position*

## Cutting Height Adjuster

The deck cutting height is obtained by pressing the button and moving the lever forward to the correct cutting height on the cutting plate. The cutting height range is from 1½" (38 mm) to 4" (102 mm) in ½" (13 mm) increments. The heights are measured from the ground up to the blade tip with the engine not running.

### IMPORTANT INFORMATION

**In order to obtain an even cutting height, it is important that the air pressure in all tires is 15 psi / 103 kPa / 1 bar.**

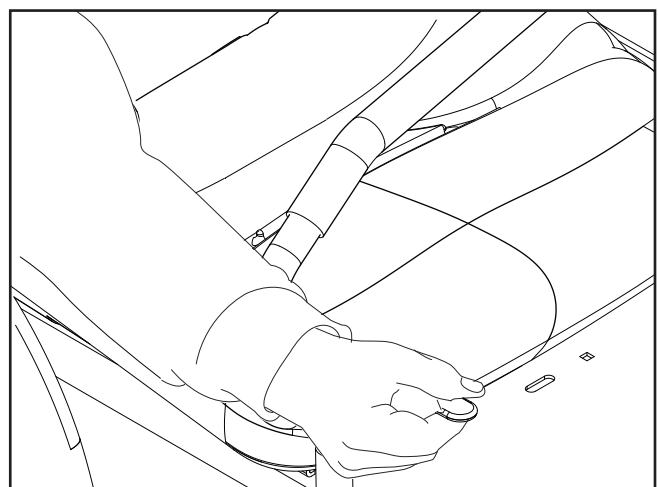


8058-019

*The mower deck's lifting lever*

## Seat Adjustment Lever

The seat can be adjusted lengthways. When making adjustments, the lever under the right front side of the seat is pulled to the side, after which the seat can be moved backward or forward.



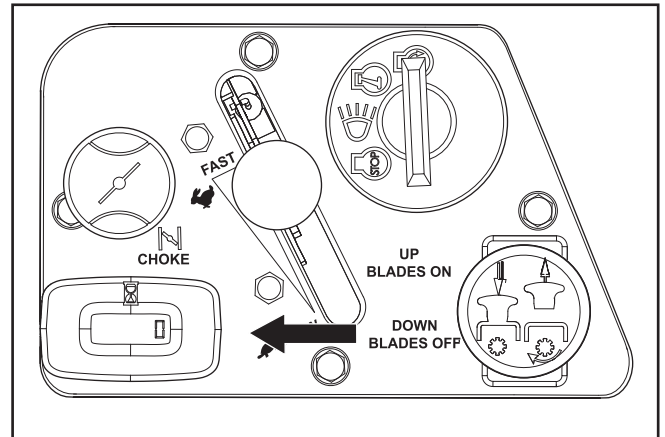
8061-228

*Lengthways adjustment*

# CONTROLS

## Hour Meter

The hour meter displays the total operating time. It will flash CHG OIL (Change Oil) at 50 hour intervals. The flash duration is one hour before and one hour after the interval. The CHG OIL icon will come on and shut off automatically. The hour meter cannot be manually reset.



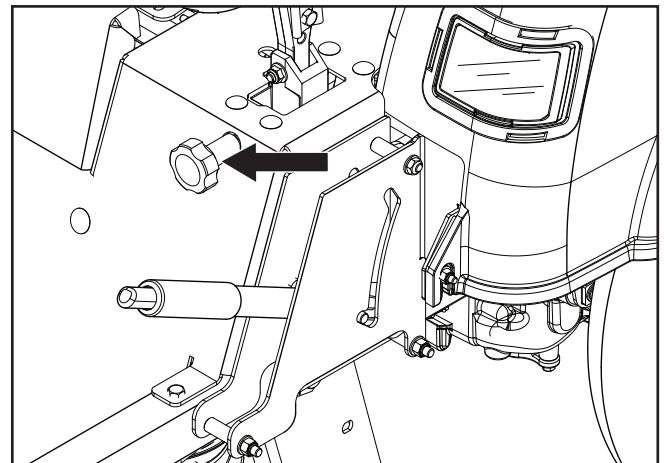
Hour meter

8052-001

## Tracking Knob

If the mower is not tracking straight, check the tire air pressures. Recommended air pressure is 15 psi (103 kPa / 1 bar) for all tires. Tracking must be checked on a flat and level concrete or blacktop surface.

Rotating the tracking knob allows fine tuning adjustments so the machine tracks straight with the steering control levers in the full forward position. Rotate the knob clockwise (as viewed from the operation position) to increase the speed on the left lever. Rotate counter clockwise to decrease speed.

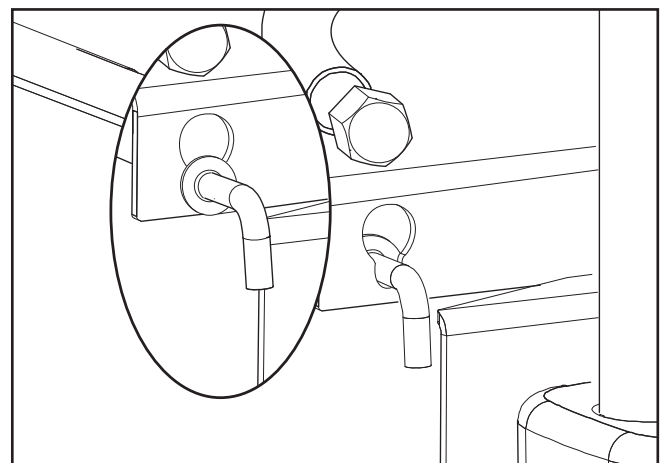


Tracking knob

8058-020

## Hydro Release Levers

Transaxle bypass linkages must be engaged when pushing or pulling the mower. The release levers are located on each side of the rear of the unit below the rear engine plate. See **Moving Machine By Hand** in the **Operation** section.



Release lever - left side

8058-147

---

# OPERATION

---

Read the **Safety** section and following pages, if you are unfamiliar with the machine.

## Training

Due to unique steering capabilities, zero turn mowers are far more manoeuvrable than typical riding mowers.

This section should be reviewed in its entirety prior to attempting to move the mower under its own power. When first operating the mower or until becoming comfortable with controls, use a reduced throttle speed and reduced ground speed. DO NOT move control levers to the furthest forward or reverse positions during initial operation.

First time users should become familiar with the mower's movement on a hard surface, such as concrete or blacktop PRIOR to attempting to operate on turf. Until the operator becomes comfortable with the mower controls and zero turning capability, overly aggressive manoeuvres may damage turf.

### IMPORTANT INFORMATION

**When control levers are in the reverse position they return to neutral when released. This may cause the mower to suddenly stop.**

## Steering

### To move forward and backward

The direction and speed of the mower's movements are effected by the movement of the control lever(s) on each side of mower. The left control lever controls the left wheel. The right control lever controls the right wheel.

First time users should push the mower (see **Manual Transport** in the **Operation** section) to an open, flat area without other people, vehicles or obstacles nearby. To move the unit under its own power, the operator must sit in the seat and start the engine (see **Before Starting** in the **Operation** section). Adjust the engine speed to idle, disengage the parking brake but do not engage the blades at this time. Rotate control levers inward. As long as the control levers have not been moved forward or backwards, the mower will not move.

Slowly move both control levers forward slightly. This will allow mower to start moving forward in a straight line. Pull the control levers back to the neutral position and the mower should stop moving.

Pull back slightly on control levers, allowing the mower to move backwards. Push the control levers forward to the neutral position and mower should stop moving.

### To turn to the right

While moving in a forward direction, pull the right lever back towards the neutral position while maintaining the position of the left lever, this will slow the rotation of the right wheel and cause the machine to turn in that direction.

### To turn to the left

While moving in a forward direction pull the left lever back towards the neutral position while maintaining the position of the right lever, this will slow the rotation of the left wheel and cause the machine to turn in that direction.

### To zero turn

While moving in a forward direction, first pull both control levers back until the mower stops or slows dramatically.

Then by alternating one lever slightly to the forward position and the other in the reverse position, complete the turn.

# OPERATION

## Before Starting

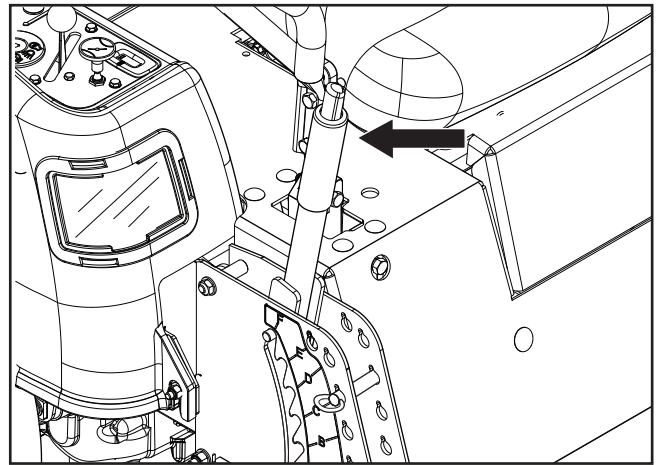
- Read the sections **Safety** and **Controls** sections before starting the machine.
- Perform the daily maintenance before starting (see **Maintenance Schedule** in the **Maintenance** section).
- Check that there is sufficient fuel in the fuel tank.
- Adjust the seat to the desired position.

The following conditions must be fulfilled before the engine can be started:

- The blade switch for engaging the mower blades must be depressed.
- The parking brake must be on.
- Both steering controls must be in the locked (outer) neutral position.

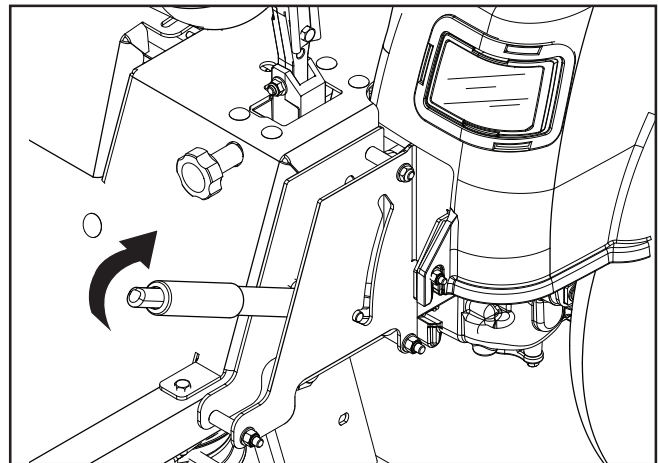
## Starting the Engine

- Sit on the seat.
- Raise the mower deck by pushing the release button on the top of the lifting lever. Pull the lifting lever backward to the locked position (transport) position.
- Activate the parking brake by pushing the release button in and pulling the lever fully upwards.



8058-019

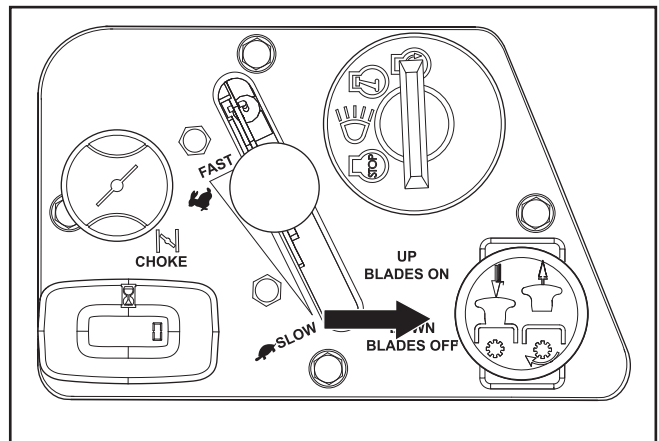
*Set mower deck to transport position*



8058-020

*Pull parking brake upwards to activate.*

Disengage the mower blades by pressing the blade switch downwards.

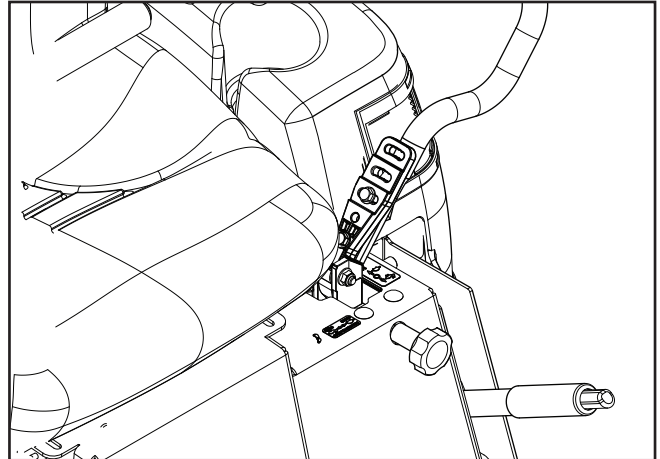


8052-001

*Depress blade switch*

# OPERATION

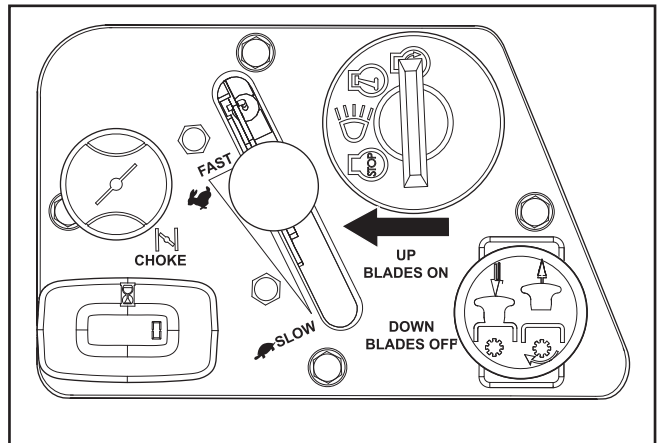
Move the steering controls outward to the locked (outer) neutral position.



8061-026

*Place controls in neutral position*

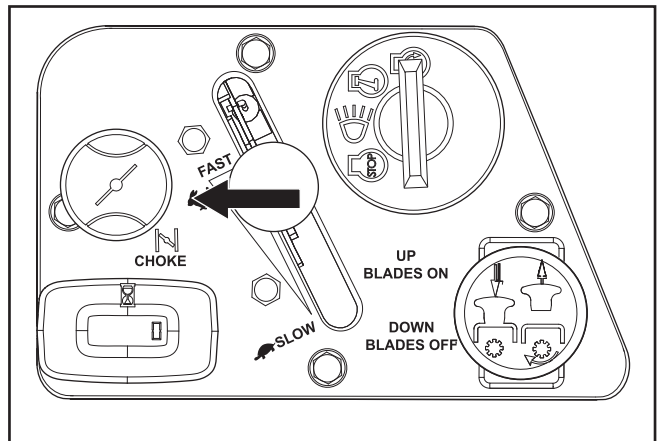
Move the throttle to the middle position.



8052-001

*Set the throttle*

If the engine is cold, the choke control should be pulled up.

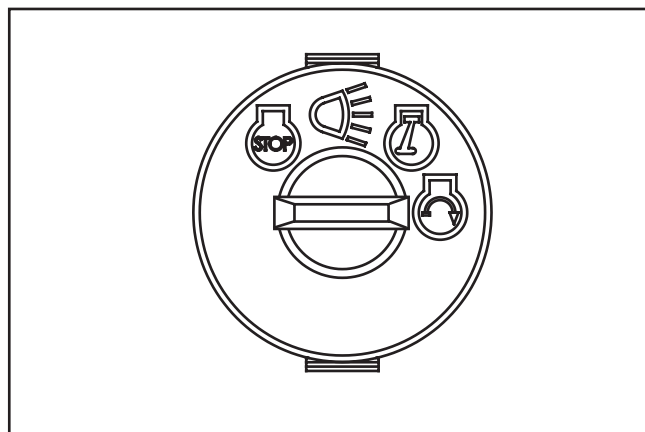


8052-001

*Set the choke control*

# OPERATION

Press in and turn the ignition key to the start position.



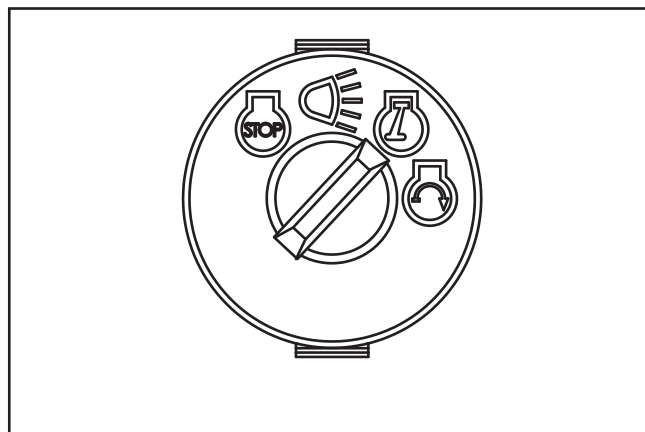
8050-7432

*Turn to the start position*

When the engine starts, immediately release the ignition key back to the run position.

## IMPORTANT INFORMATION

**Do not run the starter for more than 5 seconds each time. If the engine does not start, wait approximately 10 seconds before retrying.**



8050-7432

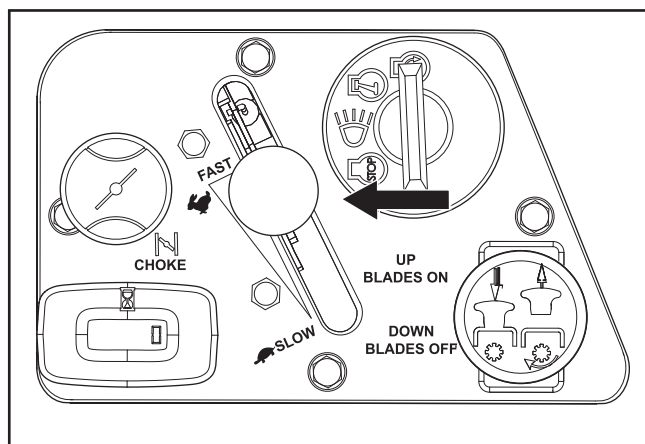
*Return to run position*

Set the desired engine speed with the throttle. Allow the engine to run at a moderate speed, "half throttle" for 3-5 minutes before loading it too heavily. **USE FULL THROTTLE WHEN MOWING** (no choke).



## WARNING!

**Engine exhaust and certain vehicle components contain or emit chemicals considered to cause cancer, birth defects or other reproductive system damage. The engine exhaust contains carbon monoxide, which is a odourless, colourless, poisonous gas. Do not use the machine in enclosed spaces.**



8052-001

*Set the engine speed*



# OPERATION

## Weak Battery



### WARNING!

Lead-acid batteries generate explosive gases. Keep sparks, flame and smoking materials away from batteries. Always wear eye protection when around batteries.



### IMPORTANT INFORMATION

Your mower is equipped with a 12-volt negative grounded system. The other vehicle must also be a 12-volt negative grounded system. Do not use your mower to start other vehicles.

If your battery is too weak to start the engine, it should be recharged. (See **Battery** in the **Maintenance** section.)

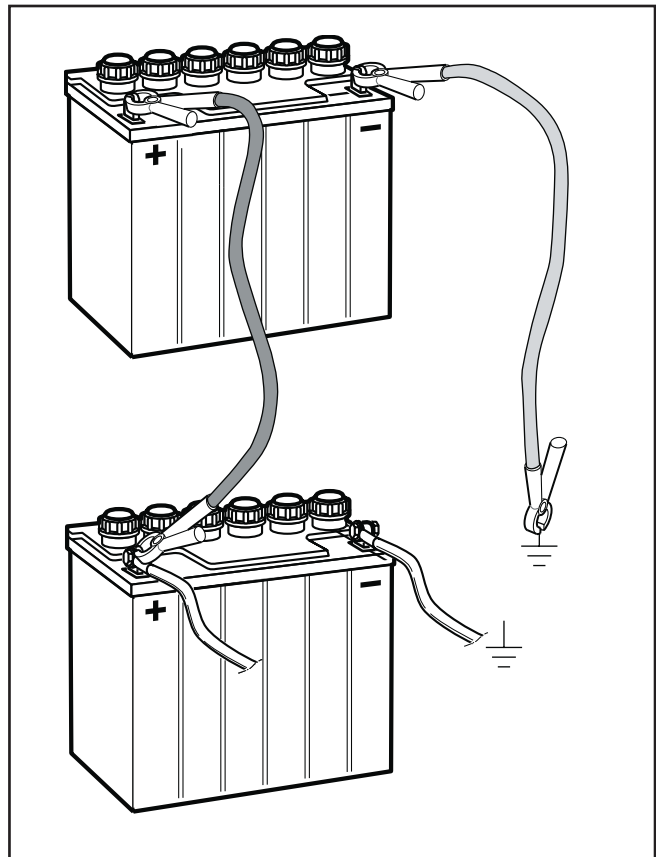
If “jumper cables” are used for emergency starting, follow this procedure:

### Jumper Cables

- Connect each end of the RED cable to the POSITIVE (+) terminal on each battery, taking care not to short against chassis.
- Connect one end of the BLACK cable to the NEGATIVE (-) terminal of the fully charged battery.
- Connect the other end of the BLACK cable to a good CHASSIS GROUND on the mower with the discharged battery, away from the fuel tank and battery.

### To remove cables, reverse order

- Remove BLACK cable first from chassis and then from the fully charged battery.
- Remove RED cable last from both batteries.



*Jumper cable connection*

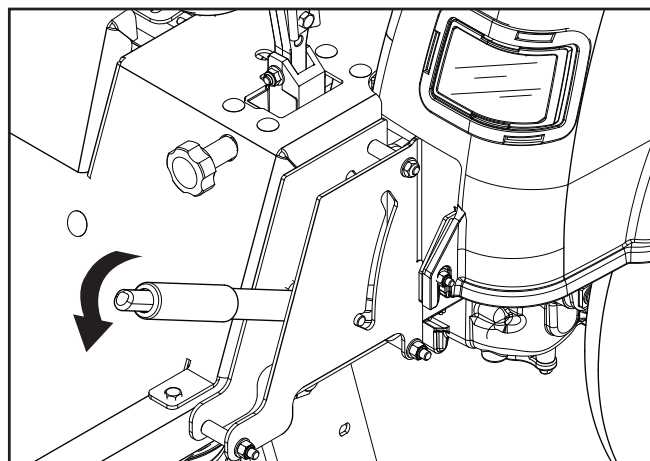
8011-642



# OPERATION

## Running

1. Release the parking brake by pushing the button and moving the lever downward.  
NOTE: The mower is equipped with an operator presence system. When the engine is running, any attempt by the operator to leave the seat without first setting the parking brake will shut off the engine.
2. Move the steering controls to the neutral position (N).



*Parking brake released*

8058-020

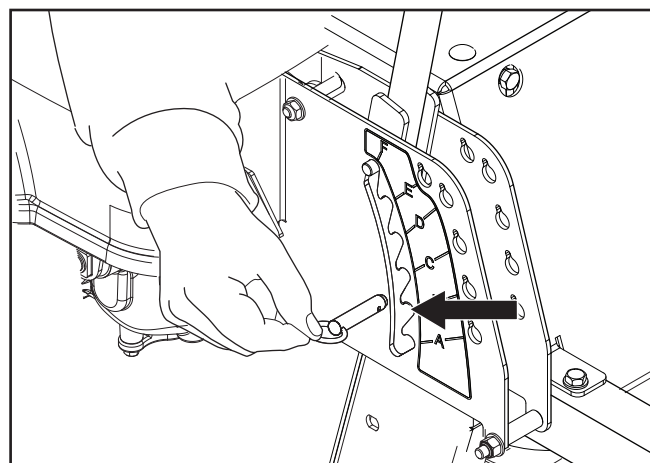
3. Set retaining pin into selected cutting height and secure the opposite side with a cotter hairpin.



### **WARNING!**

**Ensure that no one is near mower when engaging blade switch.**

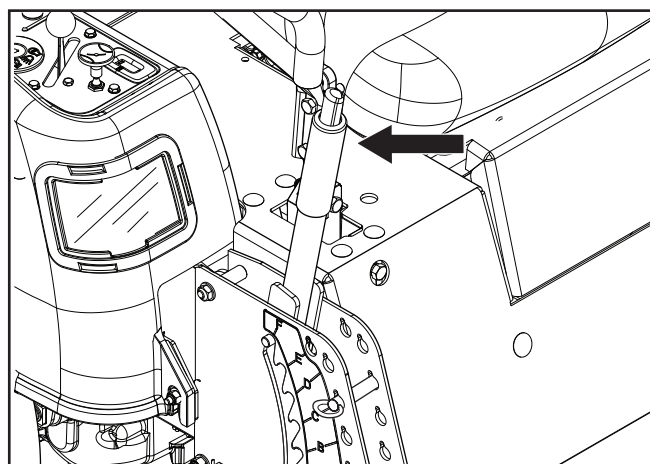
**Make sure the work area is free from objects that could be thrown by the rotating blades.**



*Secure selected cutting height*

8058-024

4. Push the release button on the cutting height lever and move lever to the pin, release the button.
5. Set the cutting height with the cutting height adjustment lever.



*Mower deck lifting lever*

8058-019

# OPERATION

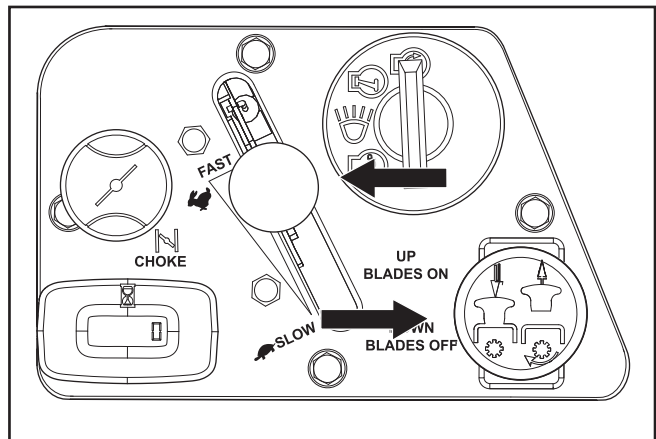
6. Move throttle control to full throttle.
7. Engage the mower deck by pulling out the blade switch.

The machine's speed and direction are continuously variable using the two steering controls. When both controls are in the neutral position, the machine stands still.

By moving both controls an equal amount forward or backward, the machine moves in a straight line forward or backward respectively.

In order, for example, to turn right while moving forward, move the right control towards the neutral position. The rotation of the right wheel is reduced and the machine turns to the right.

Turning on the spot (zero turn) can be achieved by moving one control backward (behind the neutral position) and carefully moving the other steering control forward from its neutral position.



8052-001

*Set blade engagement and throttle control*

## Operating On Hills

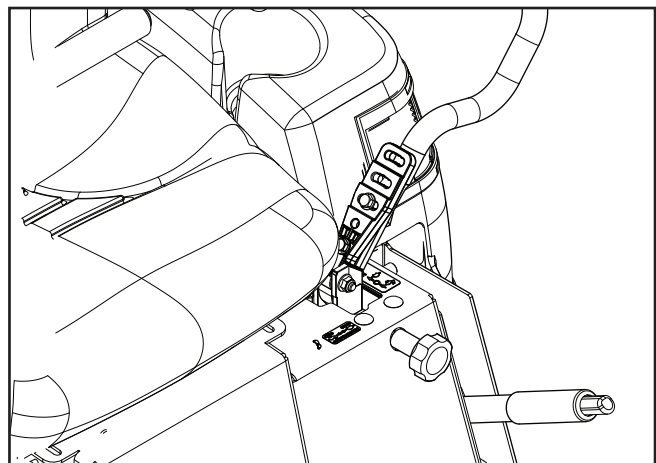
Read ***Driving on Slopes*** in the ***Safety*** section.



### **WARNING!**

**Do not drive up or down hills with slopes greater than 10 degrees. Do not drive across slopes.**

- The slowest speed possible should be used before starting up or down hills.
- Avoid stopping or changing speed on hills.
- If stopping is absolutely necessary, pull drive levers into the neutral position and push to the outside of the unit and engage the parking brake.



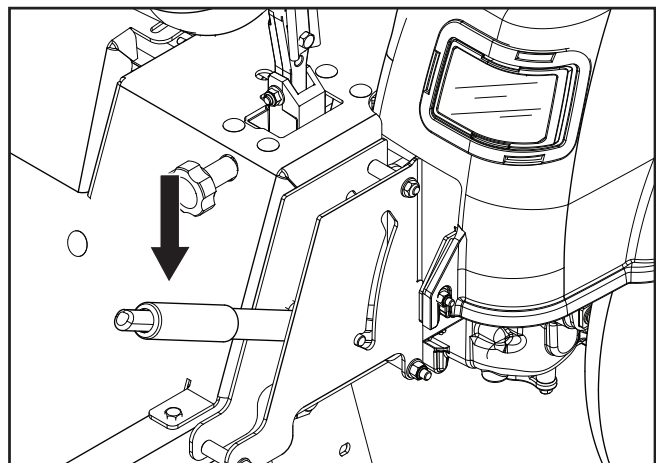
8061-026

*Place controls in neutral position*

### **IMPORTANT INFORMATION**

**Control levers return to neutral when released. This may cause the mower to suddenly stop.**

- To restart movement, release the parking brake.
- Pull the control levers back to the centre of the mower and press forward to regain forward motion.
- Make all turns slowly.



8058-020

*Parking brake released*

# OPERATION

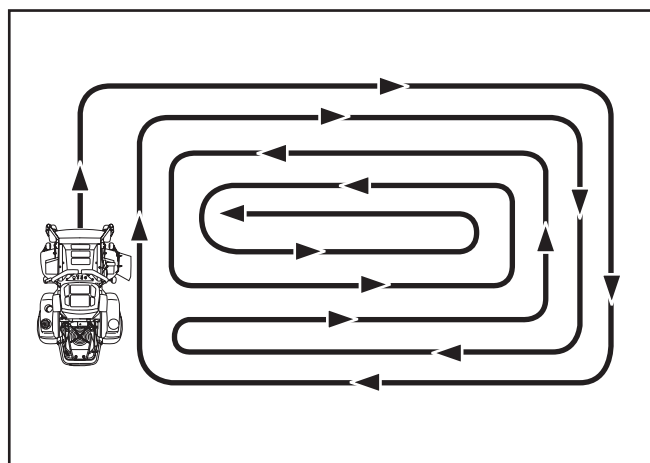
## Mowing Tips

- Observe and flag rocks and other fixed objects to avoid collisions.
- Begin with a high cutting height and reduce it until the desired mowing result is attained. The average lawn should be cut to 2½" (64 mm) during the cool season and over 3" (76 mm) during the hot months. For healthier and better looking lawns, mow often after moderate growth. For best cutting performance, grass over 6" (15 cm) in height should be mowed twice. Make the first cut relatively high, the second to the desired height.
- The mowing result will be best with a high engine speed (the blades rotate rapidly) and low speed (the rider moves slowly). If the grass is not too long and dense, the driving speed can be increased without negatively affecting the mowing result.
- The finest lawns are obtained by mowing often. The lawn becomes more even and the grass clippings more evenly distributed over the mown area. The total time taken is not increased as a higher operating speed can be used without poor mowing results.
- Avoid mowing wet lawns. The mowing result is poorer because the wheels sink into the soft lawn, clumps build, and the grass clippings fasten under the cowling.
- Hose the mower deck underside with water after each use. When cleaning, the mower deck shall be raised into the transport position. Make sure the mower is cooled and the engine is off.
- Use compressed air to clean top surface of the deck. Avoid flooding water on top surface, engine and electrical components.
- When the mulching kit is used, it is important that the mowing interval is frequent.



### WARNING!

**Clear the lawn of stones and other objects that can be thrown out by the blades.**



*Mowing pattern*

8011-603



### WARNING!

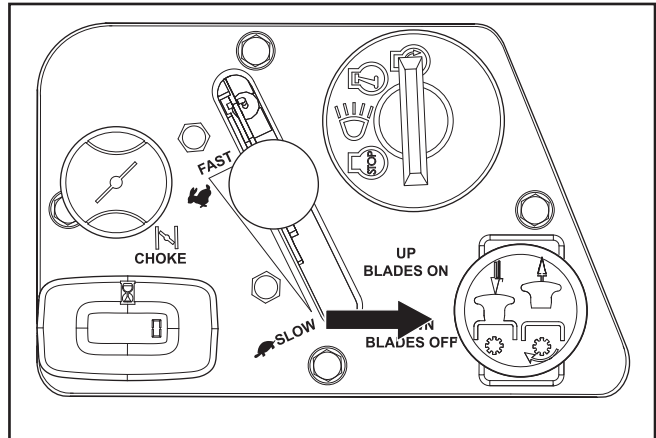
**Never drive the rider on terrain that slopes more than 10 degrees. Mow slopes up and down, never side to side. Avoid sudden directional changes.**

# OPERATION

## Stopping the Engine

Allow the engine to idle a minute in order to attain normal operating temperature before stopping it, if it has been worked hard. Avoid idling the engine for longer periods, as there is a risk of the spark plugs fouling.

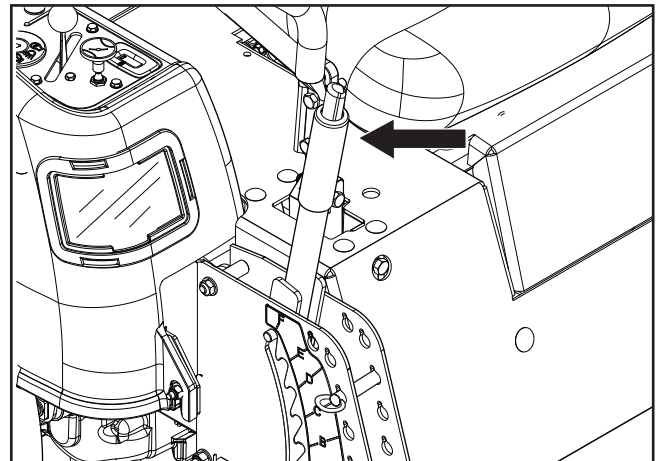
- Disengage the mower deck by depressing the blade switch.



8052-001

*Disengage the mower deck and move throttle to minimum*

- Raise the mower deck by pressing the button on the lever and pulling backward to the transport position.
- When the machine is standing still, activate the parking brake by pushing the lever button and pulling the lever upward.



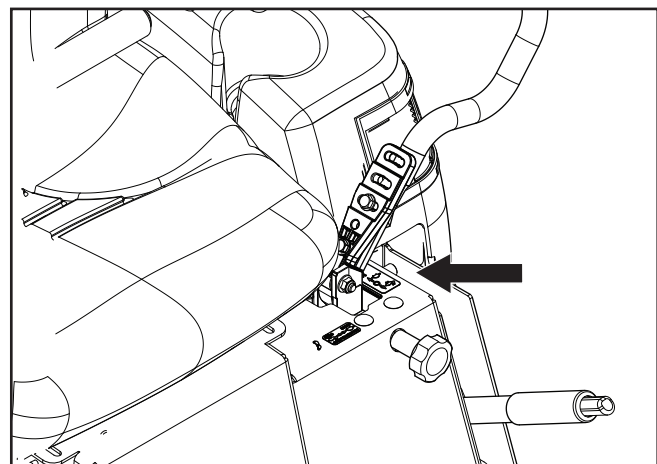
8058-019

*The mower deck's lifting lever*

- Move the throttle to the minimum position (tortoise symbol). Turn the ignition key to the stop position.
- Move the steering controls outward.
- Remove key. Always remove key when leaving the mower to prevent unauthorized use.

### IMPORTANT INFORMATION

**Leaving the ignition switch in any other position than "OFF" will cause the battery to be discharged.**



8061-026

*Place controls in neutral position*

# OPERATION

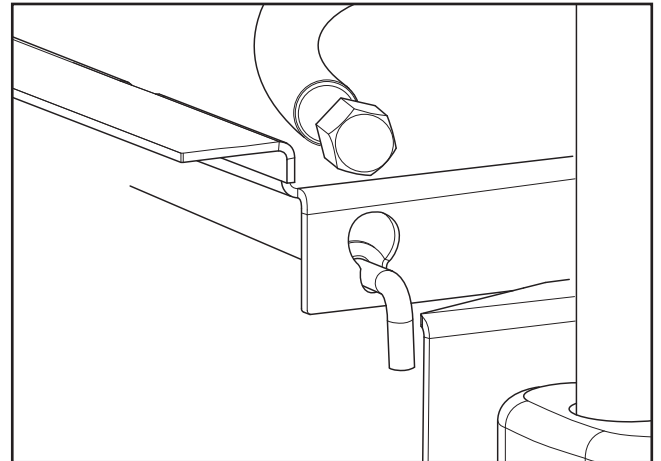
## Moving Machine By Hand

### ZT-2800 Bypass Linkages

When pushing or pulling the mower, engage the ZT-2800 bypass linkages. The ZT-2800 hydro release levers are located on the rear of the frame, below the rear engine guard.

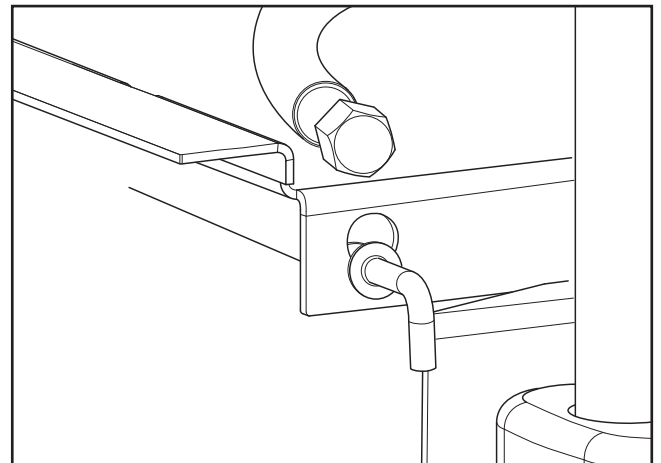
1. Raise the deck into the highest cutting position.
2. Pull the ZT-2800 release levers up and out of the keyhole slots. Release the levers with the head outside the frame and held in the bypass position.
3. To re-engage the ZT-2800 to drive, reverse the above procedure.

Load the machine into truck or trailer by driving up ramps in low gear. **DO NOT LIFT!** The machine is not intended to be lifted by hand.



8058-032

*ZT-2800 engaged - left side*



8058-033

*Bypass linkage, left side, locked in the bypass position*



### **WARNING!**

**Make no adjustments without:**

- **the engine stopped,**
- **the ignition key removed,**
- **the parking brake activated**

# MAINTENANCE

## Maintenance Schedule

The following is a list of maintenance procedures that must be performed on the machine. For those points not described in this manual, visit an authorized service workshop. An annual service carried out by an authorized service workshop is recommended to maintain your machine in the best possible condition and to ensure safe operation.

Read **Maintenance** in the **Safety** section.

● = Described in this manual

◆ = Not described in this manual

■ = Refer to the engine manufacturer's manual

Maintenance	Daily		At least once each year	Maintenance interval in hours			
	Before	After		25	50	100	300
Check the parking brake	●						
Check the engine's oil level (every refuelling)	■						
Check the safety system	●						
Check for fuel and oil leakages	◆						
Check/clean the engine's cooling air intake		■					
Check the mower deck		●					
Check for loose hardware (screws, nuts)		●					
Clean under the mower deck		●					
Start the engine and blades, listen for unusual sounds		◆					
Check for damage		◆					
Thoroughly clean around the engine		◆					
Clean around belts, belt pulleys		◆					
Check the tyre pressures				●			
Check battery				●			
Sharpen/Replace mower blades				●			
Clean the engine's cooling air intake <sup>2)</sup>			■	■			
Clean the air cleaner's pre-filter (foam) <sup>2)</sup>			■	■			
Clean the air cleaner's filter cartridge (paper filter) <sup>2)</sup>			■		■		
Check/adjust the parking brake			◆		◆		
Inspect muffler/spark arrester			◆		◆		

# MAINTENANCE

Maintenance	Daily		At least once each year	Maintenance interval in hours			
	Before	After		25	50	100	300
Check/adjust throttle cable						■	
Check the condition of belts, belt pulleys			●		●	●	
Change the engine oil <sup>1)</sup>			■				
Replace the engine oil filter			■			■	
Clean/replace the spark plugs			■			■	
Replace the fuel filter			●			●	
Replace the air filter (paper filter) <sup>2)</sup>			■			■	
Check the castor wheels (every 200 hours)						●	
Replace the air cleaner's pre-filter <sup>2)</sup> (foam)			■				
Check/adjust the mower deck			●				●
Check the engine valve clearance <sup>3)</sup>			■				■
Perform the 300-hour service <sup>3)</sup>			◆				◆

<sup>1)</sup> First change after 5-8 hours. When operating with a heavy load or at high ambient temperatures, replace every 50 hours. <sup>2)</sup> In dusty conditions, cleaning and replacement are required more often. <sup>3)</sup> Performed by authorized service workshop.

● = Described in this manual

◆ = Not described in this manual

■ = Refer to the engine manufacturer's manual



## WARNING!

### Before performing any service or adjustment checklist

- Engage the parking brake.
- Place the Blade-switch in the disengaged position.
- Turn the ignition switch to "OFF" position and remove the key.
- Make sure the blades and all moving parts have completely stopped.
- Disconnect the spark plug wire from all spark plugs and place the wire where it cannot come in contact with the plug.



# MAINTENANCE

## Battery

Your mower is equipped with a maintenance free battery and does not need servicing. However, periodic charging of the battery with an automotive type battery charger will extend its life.

- Keep battery and terminals clean.
- Keep battery bolts tight.
- See chart for charging times

STANDARD BATTERY	STATE OF CHARGE	APPROXIMATE BATTERY CHARGING TIME* TO FULL CHARGE AT 80°F / 27°C			
		Maximum Rate at:			
		50 Amps	30 Amps	20 Amps	10 Amps
12.6V	100%	- FULL CHARGE -			
12.4V	75%	20 min.	35 min.	48 min.	90 min.
12.2V	50%	45 min.	75 min.	95 min.	180 min.
12.0V	25%	65 min.	115 min.	145 min.	280 min.
11.8V	0%	85 min.	150 min.	195 min.	370 min.

\*Charging time depends on battery capacity, condition, age, temperature and efficiency of charger



### WARNING!

**Always wear eye protection when around batteries.**



## Cleaning battery and terminals

Corrosion and dirt on the battery and terminals can cause the battery to “leak” power.

1. Remove terminal covers.
2. Disconnect BLACK battery cable first, then the RED battery cable and remove the battery from the machine.
3. Rinse the battery with plain water and dry.
4. Clean terminals and battery cable ends with wire brush until shiny.
5. Coat terminals with grease or petroleum jelly
6. Reinstall battery.

## Replacing battery

1. Lift seat and rotate forward.
2. Using two ½" wrenches disconnect BLACK battery cable then RED battery cable.
3. Position deck to lowest setting.
4. From the underside of the frame, remove the nuts that secure the battery hold-down.
5. Carefully remove the battery from the mower.
6. Install new battery with terminals in the same position as the old battery.
7. Reinstall battery hold-down and secure with nuts removed in Step 4.
8. Reconnect RED battery cable to positive (+) battery terminal with hex bolt and hex nut.
9. Connect BLACK grounding cable to negative (-) battery terminal with remaining hex bolt and nut
10. Replace terminal boot cover.
11. Lower seat.

## IMPORTANT INFORMATION

**Do not attempt to open or remove caps or covers. Adding or checking level of electrolyte is not necessary.**

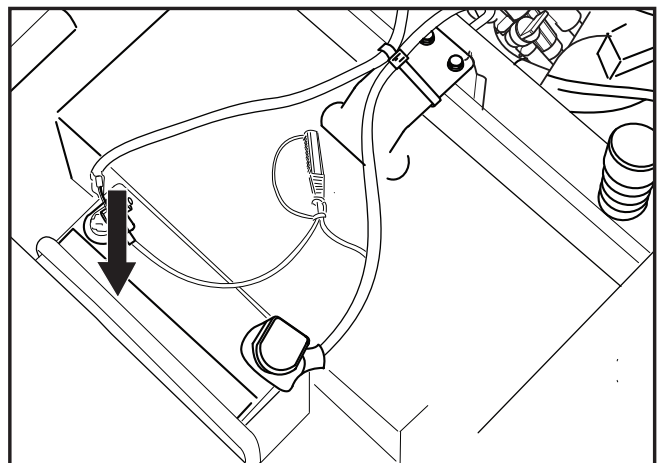
**Always use two wrenches for the terminal screws.**



### WARNING!

**Do not short battery terminals by allowing a wrench or any other object to contact both terminals at the same time. Before connecting battery, remove metal bracelets, wristwatch bands, rings, etc.**

**Positive terminal must be connected first to prevent sparks from accidental grounding.**



8050-109

*Remove battery hold-down to replace battery*



# MAINTENANCE

## Safety System

The machine is equipped with a safety system that prevents starting or driving under the following conditions.

The engine can only be started when:

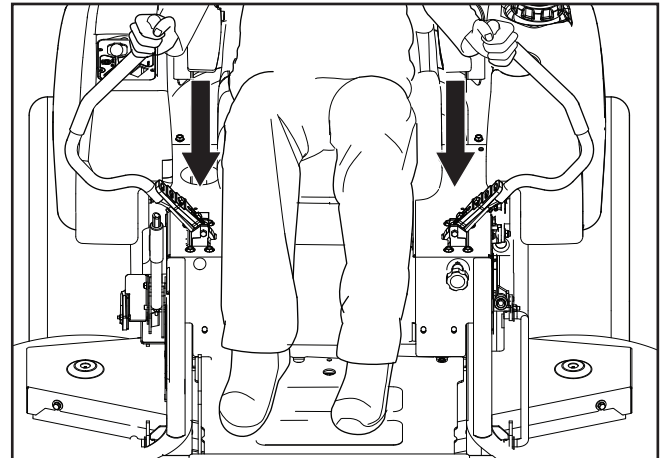
1. The mower deck is disengaged.
2. The steering controls are in the outer, locked neutral position.
3. The parking brake is on.

Make daily inspections to ensure that the safety system works by attempting to start the engine when one of the conditions is not met. Change the conditions and try again.

If the machine starts when one of these conditions is not met, turn the machine off and repair the safety system before using the machine again.

Make sure the engine stops when the park brake is not engaged and the operator leaves the seated position.

Check that the engine stops if the mower blades are engaged and the driver temporarily moves off the driver's seat.



8058-026

*Steering controls locked in neutral*

### IMPORTANT INFORMATION

**In order to be able to drive, the driver must sit in the seat and release the parking brake before the steering controls can be moved into the neutral position, otherwise the engine will stop.**

## Parking Brake

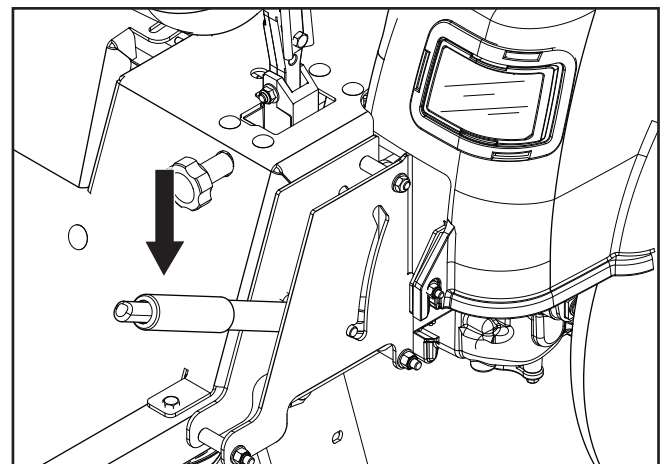
Visually check that no damage is found on the lever, cables, or switch belonging to the parking brake. Perform a standstill test and check that there is sufficient braking action.

To adjust the parking brake, contact the Husqvarna service workshop.



### WARNING!

**Faulty adjustment will result in reduced braking ability and can cause an accident.**



8058-020

*Parking brake*

### IMPORTANT INFORMATION

**The machine must be absolutely standing still when applying the parking brake.**

## Tyre Pressures

All tyres should be at 15 psi / 103 kPa / 1 bar.

# MAINTENANCE

## V-belts

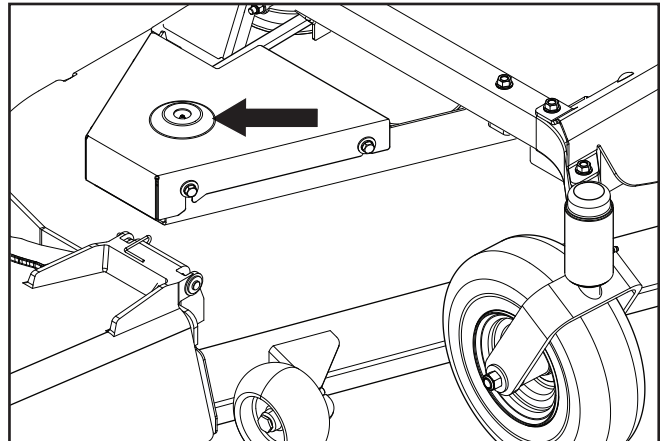
Check every 100 hours of operation. Check for severe cracking and large nicks.

NOTE: The belt will show some small cracks in normal operation.

The belts are not adjustable. Replace belts if they begin to slip from wear.

## Deck Belt Removal

1. Park on a level surface. Apply parking brake.
2. Lower the deck into the lowest cutting position.
3. Remove bolts from belt shields and remove shields.
4. Remove any dirt or grass that may have accumulated around the cutter housings and entire deck surface.
5. Remove tension on the belt by moving the idler arm.
6. Carefully slip belt up over the top of the cutter housing pulleys and remove belt. Rolling belt over the pulleys may damage the belt.



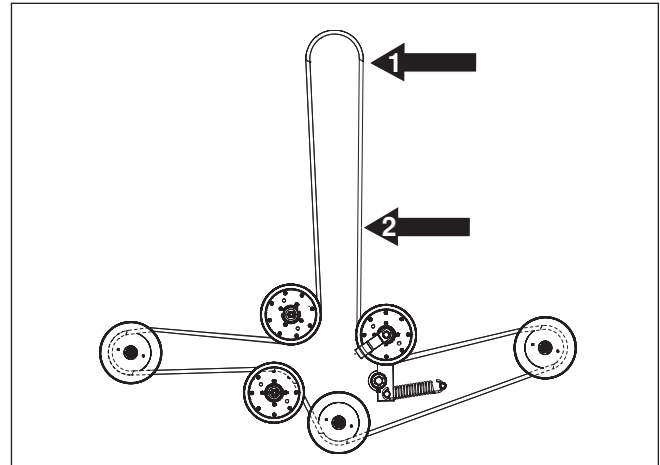
8058-131

*Remove belt shields*

## Deck Belt Installation

NOTE: For ease in installing the deck belt, refer to the routing decal on the top of the deck.

1. Wrap the deck belt around the electric clutch pulley that is located on the engine shaft.
2. Route the belt forward and up onto the deck.
3. Place belt around spring loaded idler pulley.
4. Wrap the belt around the stationary idler pulley and around the mandrel housings.
5. Push inward on the idler arm and carefully route belt over stationary idler pulley. Once belt is properly routed, slowly release idler arm to tension belt.
6. Double check belt routing to make sure it matches the routing decal, and the belt does not have any twist. Correct as needed.
7. Replace belt shields on both mandrel housings and secure with fasteners.



8061-034

1. Clutch pulley position  
2. Deck belt  
*Belt routing, deck belt*

---

# MAINTENANCE

---

## Pump Belt

### Replacing pump belt

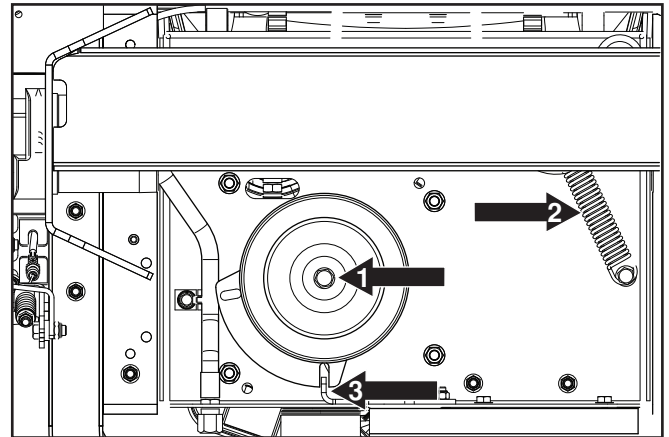
Park the mower on a level surface. Engage the parking brake.

#### Belt removal

1. Remove the deck belt (see Deck Belt Removal in this section of the manual).
2. Create slack in the belt by removing the spring on the pump idler arm.
3. The belt should now be able to be removed from the engine pulley and pump pulleys.

#### Belt installation

1. Wrap the belt around the pulley
2. Route the belt around the inside of the idler pulley.
3. Wrap the belt around the engine pulley.
4. Reattach the spring on the pump idler arm.
5. Reinstall the deck belt. (see Deck Belt Installation in this section of the manual).



1. Electric clutch
2. Idler spring
3. Clutch stop

#### *Pump belt removal*

# MAINTENANCE

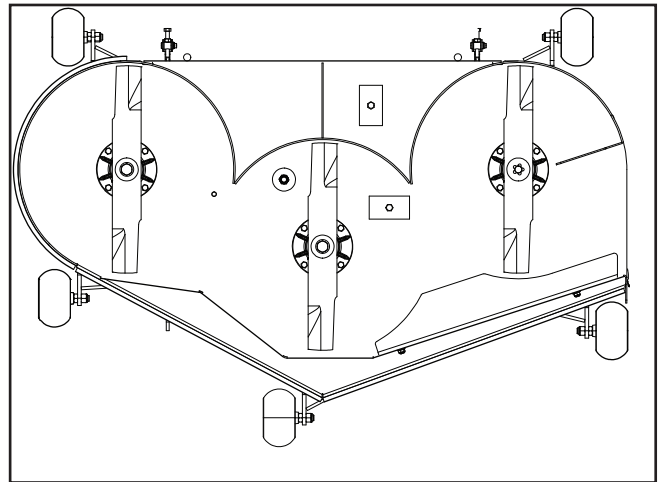
## Cutting Blades

To attain the best mowing effect, it is important that blades are well sharpened and not damaged. Replace blades that have been bent or cracked when hitting obstacles.

### IMPORTANT INFORMATION

**The sharpening of blades should be carried out by an authorized service workshop.**

Let the service workshop decide whether a blade with large nicks can be repaired/ground or must be replaced. Balance the blades after sharpening. Check the blade mounts.



8011-604-1

*Check the blades*



### WARNING!

**Blades are sharp. Protect your hands with gloves and/or wrap blades with a heavy cloth when handling.**



## Blade replacement

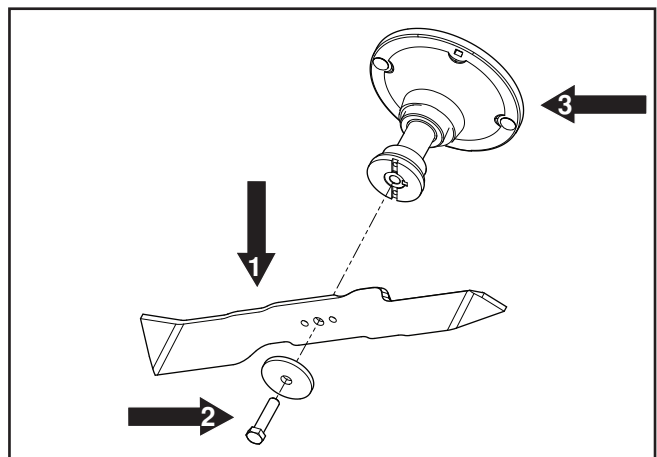
1. Remove blade bolt by turning counter clockwise.
2. Install new or resharpened blade with stamped GRASS SIDE facing towards ground/grass (down) or THIS SIDE UP facing deck and cutter housing.
3. Install and tighten blade bolt securely.
4. Torque blade bolt to 45 ft/lbs (61 Nm).

### IMPORTANT INFORMATION

**Special blade bolt is heat treated.**

**Replace with a Husqvarna bolt if required.**

**Do not use lower grade hardware than specified.**



8061-022

1. Blade
  2. Blade bolt (special)
  3. Spindle housing
- Blade attachment*

# MAINTENANCE

## Adjusting the Mower Deck

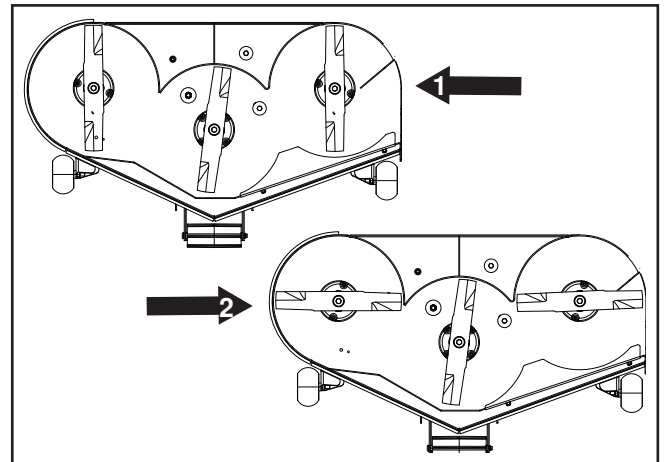
### Levelling deck

Adjust the deck while the mower is on a level surface. Make sure the tyres are inflated to the correct pressure. See *Technical Data* under **Transmission**. If tyres are under or over inflated, the deck cannot be properly adjusted.

The deck should be adjusted slightly higher in the rear.

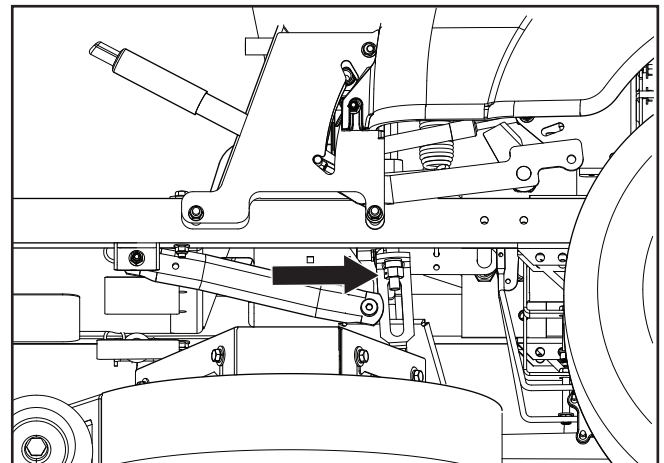
NOTE: To insure accuracy of levelling procedure, mower deck drive belt must be installed prior to levelling deck.

1. Wear heavy gloves. Turn each outer blade tip to align front to rear with the deck (1) or side-to-side (2).
2. Measure from the floor surface up to the bottom of the blade tip on the discharge side of the mower deck. Record the measurement.
3. Move to the opposite side, check that measurement is the same. If adjustment is required—with a  $\frac{3}{4}$ " or adjustable wrench, turn the lift link adjustment nuts on either side counter clockwise to lower or clockwise to raise. Adjust until both measurements are equal.



Align blades to begin measurements

8058-030

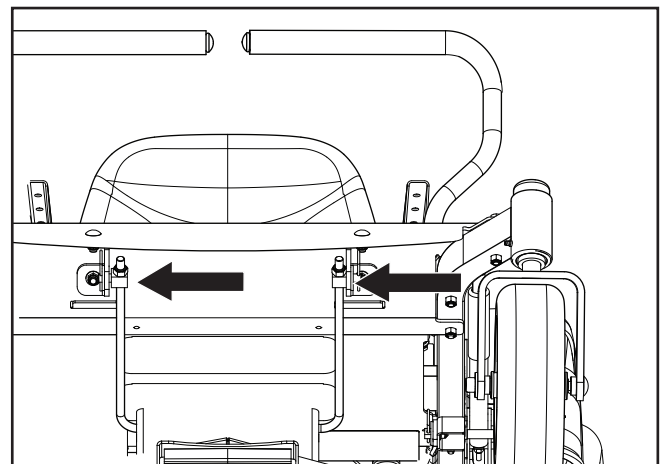


Lift link adjustment nut

8058-030

4. Turn any blade to align with the deck in front-to-rear manner. If the front blade tip does not measure  $\frac{1}{8}$ " to  $\frac{1}{2}$ " higher in the rear—with a  $\frac{5}{8}$ " or adjustable wrench, turn the nuts on the front suspension linkage. Clockwise raises the front of the mower, counter clockwise will lower the front. Adjust nuts until rear of mower deck is positioned level to  $\frac{1}{8}$ " higher in the rear than the side-to-side measurement.

NOTE: This will place the mower deck in a standard measurement position. Additional adjustments may be required to achieve the desired cut depending on grass or conditions.



Deck front adjustment nuts

8058-031

---

# MAINTENANCE

---

## Anti-Scalp Rollers

Anti-scalp rollers are properly adjusted when they are just slightly off of the ground when the deck is at the desired cutting height in the operating position. Anti-scalp rollers then keep the deck in the proper position to help prevent scalping in most terrain conditions.

### IMPORTANT INFORMATION

**Adjust anti-scalp rollers with the mower on a flat level surface.**

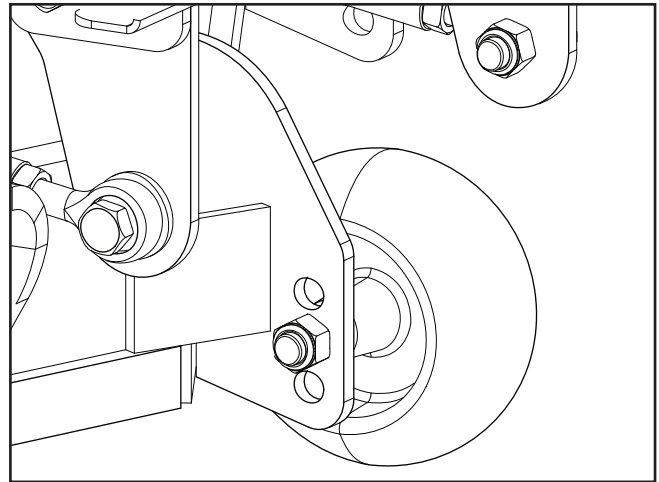
The anti-scalp rollers can be set in three positions:

- Upper position 1½ to 2½" (38 to 64 mm) grass
- Middle position 2½" to 4" (64 to 102 mm) grass
- Lower position 4" to 6" (102 to 128 mm) grass.

The rollers should be approximately ¼" (6.5 mm) from ground. Do not adjust the rollers to support the deck.

### IMPORTANT INFORMATION

**To avoid deck damage, the anti-scalp rollers must not be adjusted to support the deck.**



8050-830

*Anti-scalp rollers*

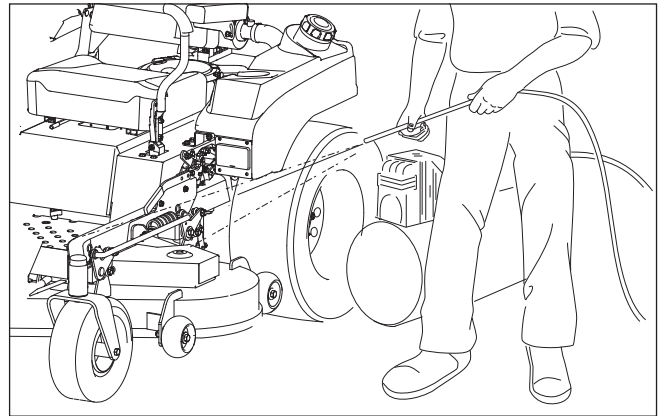
# MAINTENANCE

## Cleaning

Regular cleaning and washing, especially under the mower deck, will increase the machine's life-span. Make it a habit to clean the machine directly after use (after it is cooled), before the dirt sticks.

Do not spray water on the top of the mower deck. Use compressed air to clean the top side of mower deck. Regularly clean deck and underside of the deck with normal water pressure. Do not use a high pressure washer or steam cleaner. Avoid spraying engine and electrical components with water

Do not rinse hot surfaces with cold water. Let unit cool before washing.



8050-831

*Clean regularly*



### IMPORTANT INFORMATION

**Use protective glasses when cleaning and washing.**

## Castor Wheels

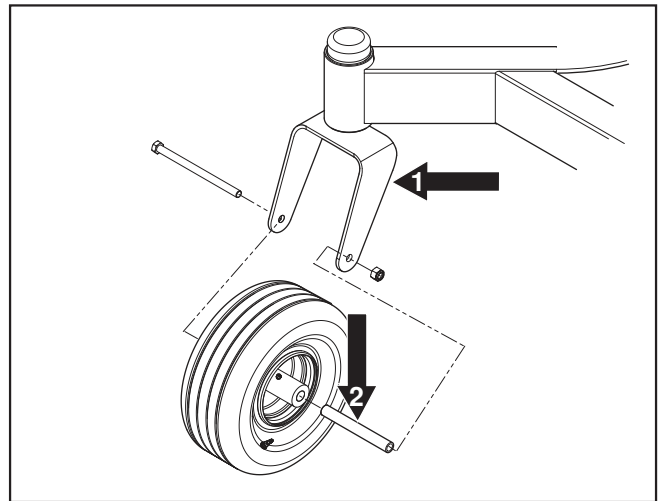
Check every 200 hours. Check that wheels rotate freely. If wheels do not rotate freely take the unit to your dealer for service.

Foam filled tyres or solid tyres will void the warranty.

### IMPORTANT INFORMATION

**DO NOT add any type of tyre liner or foam fill material to the tyres. Excessive loads created by foam filled tyres will cause premature failures.**

**Only use O.E.M. specified tyres.**



8011-619-4

1. Castor yoke
  2. Castor long spacer
- Castor wheels*

## Removal and installation

1. Remove nut and castor bolt.
2. Pull the wheel out of the yoke and retain the spacer for reuse.
3. Install in reverse order.
4. Tighten castor bolt.

## Hardware

Check daily. Inspect the entire machine for loose or missing hardware.

# LUBRICATION

12/12	1/52	1/365		25h	50h	100h	200h	300h	
				1  (2x)					
				2  (2x)					
				3					
					*				

8051-051

12/12 Every year	Lubricate with grease gun	Filter change
1/52 Every Week	Oil change	Level check
1/365 Every day		

\* Change transmission filter

## General

Remove the ignition key to prevent unintentional movements during lubrication.

When lubricating with grease, unless otherwise stated, use a high grade molybdenum disulphide grease.

For daily use, the machine should be lubricated twice weekly.

Wipe away excess grease after lubrication.

It is important to avoid getting lubricant on the belts or the drive surfaces on the belt pulleys. Should this happen, attempt to clean them with spirits. If the belt continues to slip after cleaning, it must be replaced. Petrol or other petroleum products must not be used to clean belts.



---

# LUBRICATION

---

## Front Wheel Mount

Lubricate with a grease gun, one nipple for each wheel mount.

Use only good quality bearing grease.

Grease from well-known brand names (petrochemical companies) usually maintains a good quality.

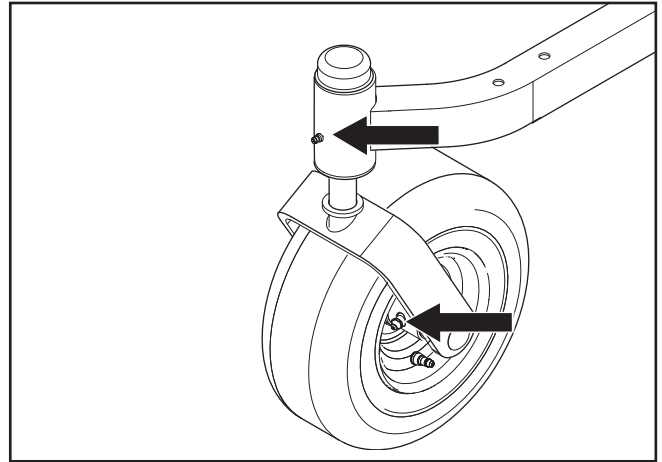
## Front Wheel Bearings

Lubricate with a grease gun, one nipple for each set of wheel bearings.

Use only good quality bearing grease.

### IMPORTANT INFORMATION

**Use minimal lubrication and remove excess lubricant so that it does not come into contact with belts or belt pulley drive surfaces.**



*Lubricating the front wheels*

8058-068

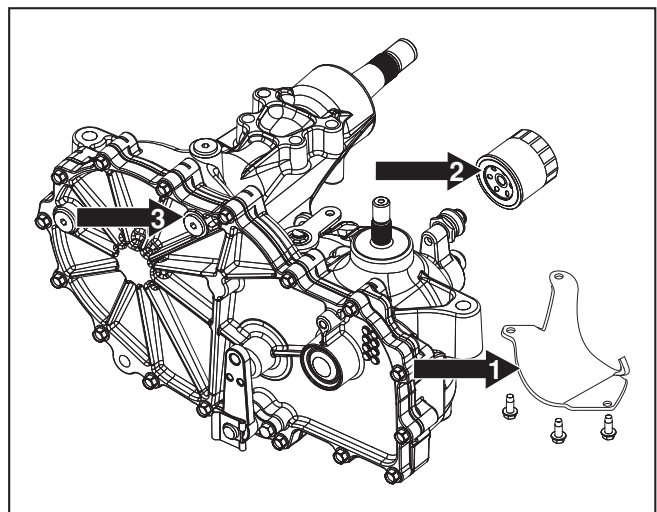
# LUBRICATION

## Transaxle (Transmission) Fluid Change

This transaxle is designed with an external filter for ease of maintenance. To ensure constant fluid quality levels and longer life, an oil filter change interval of every 200 hours is recommended.

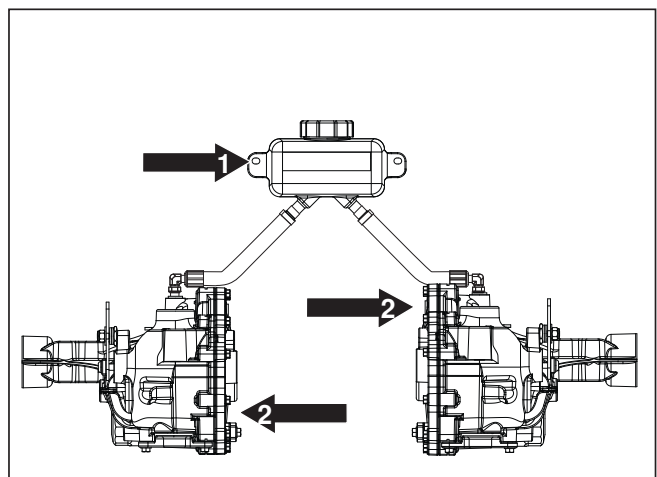
The following procedure is performed with the transaxles installed in the mower and the mower on level ground. Apply the pump release valve for each transaxle and set the parking brake.

1. Remove the three filter guard screws and filter guard. Clean any loose debris from around the perimeter of the filter.
2. Place an oil drain pan (12" or more diameter and 7.5 litre capacity is optimal) beneath the oil filter. Remove the oil filter from the transaxle.
3. After the oil has drained, wipe the filter base surface and apply a film of new oil to the gasket of the replacement filter.
4. Install the new filter by hand, turning it three-quarters to one full turn after the filter gasket contacts the filter base surface.
5. Reinstall the filter guard. Torque screws to 65 in./lbs. each.
6. Repeat steps on the opposite side.
7. Drain old oil filters of all free flowing oil prior to disposal. Place used oil in appropriate containers and dispose of it in accordance with laws in your area.
8. Remove the top port plug (see illustration) from the left and right side transaxles prior to filling with oil. This will allow the transaxles to vent during oil fill.
9. Remove the cap from the transaxles' expansion tank located on the vehicle frame.
10. Fill with 20W50 motor oil until oil just appears at the bottom of each transaxles' top port (approximately 2 litres per transaxle, 4 litres total). Install the top port lug into each transaxle as the oil level reaches the port.
11. Install and torque the top port plugs to 180 in./lbs.
12. Continue to fill the transaxles through the expansion tank until the FULL COLD line is reached (approximately 23 additional ounces).
13. Reinstall the expansion tank cap by hand. Do not overtighten.



8019-010

1. Filter guard
  2. Transaxle filter
  3. Top port plug
- Transaxle filter change*



8019-012

1. Expansion tank
  2. Transaxles
- EZT filter change*

---

# TROUBLESHOOTING

---

<b>Problem</b>	<b>Cause</b>
Engine will not start	<ul style="list-style-type: none"><li>• Blade switch is engaged.</li><li>• Steering controls are not locked in the neutral position</li><li>• Parking brake is not activated</li><li>• Battery is dead</li><li>• Contamination in the carburettor or fuel line.</li><li>• Fuel supply is closed or the shutoff valve for the fuel tank is in the wrong position</li><li>• Clogged fuel filter or fuel line</li><li>• Ignition system faulty</li></ul>
Starter does not turn the engine over	<ul style="list-style-type: none"><li>• Battery is dead</li><li>• Poor contact of the battery terminal cable connections</li><li>• Blown fuse</li><li>• Fault in the starter safety circuit. See <b>Safety System</b> in the <b>Maintenance</b> section</li></ul>
Engine runs rough	<ul style="list-style-type: none"><li>• Faulty carburettor</li><li>• Choke control is pulled out with a warm engine</li><li>• Clogged fuel filter or jet</li><li>• Clogged ventilation valve on the fuel cap</li><li>• Fuel tank nearly empty</li><li>• Fouled spark plugs</li><li>• Rich fuel mixture or fuel-air mixture.</li><li>• Wrong fuel type</li><li>• Water in fuel</li><li>• Clogged air filter</li></ul>
Engine seems weak	<ul style="list-style-type: none"><li>• Clogged air filter</li><li>• Fouled spark plugs</li><li>• carburettor incorrectly adjusted</li><li>• Air trapped in hydraulic system</li></ul>
Machine vibrates	<ul style="list-style-type: none"><li>• Blades are loose</li><li>• Blades are incorrectly balanced</li><li>• Engine is loose</li><li>• Blades are bent</li></ul>

---

# TROUBLESHOOTING

---

<b>Problem</b>	<b>Cause</b>
Engine overheats	<ul style="list-style-type: none"><li>• Clogged air intake or cooling fins</li><li>• Engine overloaded</li><li>• Poor ventilation around engine</li><li>• Defective engine speed regulator</li><li>• Too little or no oil in the engine</li><li>• Contamination in the carburettor or fuel line.</li><li>• Fouled spark plugs</li></ul>
Battery not charging	<ul style="list-style-type: none"><li>• Poor contact of the battery terminal cable connections</li><li>• Charging lead is disconnected</li></ul>
The machine moves slowly, unevenly, or not at all	<ul style="list-style-type: none"><li>• Parking brake on</li><li>• Bypass valve on pump open</li><li>• Drive belt for the transmission slack or has come off</li><li>• Air trapped in hydraulic system</li></ul>
Mower deck not engaging	<ul style="list-style-type: none"><li>• Drive belt for the mower deck has come loose</li><li>• Contact for the electromagnetic coupling has loosened</li><li>• Blade switch is faulty or has come loose from cable contact</li><li>• Blown fuse</li></ul>
Transaxle leaks oil	<ul style="list-style-type: none"><li>• Damaged seals, housing, or gaskets</li><li>• Air trapped in hydraulic system</li></ul>
Uneven mowing results	<ul style="list-style-type: none"><li>• Different air pressure in tyres on the left and right sides.</li><li>• Blades are bent</li><li>• Suspending for the mower deck is uneven</li><li>• Blades are dull</li><li>• Driving speed too high</li><li>• Grass is too long</li><li>• Grass collected under the mower deck</li></ul>

---

# STORAGE

---

## Winter Storage

The machine should be readied for storage at the end of the mowing season (or if it will not be in use for longer than 30 days). Fuel allowed to stand for long periods of time (30 days or more) can leave sticky residues that can plug the carburettor and disrupt engine function.

Fuel stabilizers are an acceptable option as regards to the sticky residues that can occur during storage.

Add stabilizer to the fuel in the tank or in the storage container. Always use the mixing ratios specified by the manufacturer of the stabilizer. Run the engine for at least 10 minutes after adding the stabilizer so that it reaches the carburettor. Do not empty the fuel tank and the carburettor if you have added stabilizer.



### **WARNING!**

**Never store an engine with fuel in the tank indoors or in poorly ventilated spaces where fuel vapour can come in contact with open flames, sparks, or a pilot light such as in a boiler, hot water tank, clothes drier, etc. Handle the fuel with care. It is very flammable and can cause serious personal injury and property damage. Drain the fuel into an approved container outdoors and far away from open flame. Store the fuel away from any open flame or source of ignition.**

**Never use petrol for cleaning. Use a degreaser and warm water.**

To ready the machine for storage:

1. Thoroughly clean the machine, especially under the mower deck. Touch up damage to the paint and spray a thin layer of oil on the underside of the mower deck to avoid corrosion.
2. Inspect the machine for worn or damaged parts and tighten any nuts or screws that may have become loose.
3. Change the engine oil; dispose of properly.
4. Empty the fuel tanks or add a fuel stabilizer. Start the engine and allow it to run until the carburettor is drained of fuel or the stabilizer has reached the carburettor.
5. Remove the spark plug and pour about a tablespoon of engine oil into the cylinder. Turn over the engine so that the oil is evenly distributed and then refit the spark plug.
6. Lubricate all grease nipples, joints, and axles.
7. Remove the battery. Clean, charge, and store the battery in a cool place, but protect it from direct cold.
8. Store the machine in a clean, dry place and cover it for extra protection.

## Service

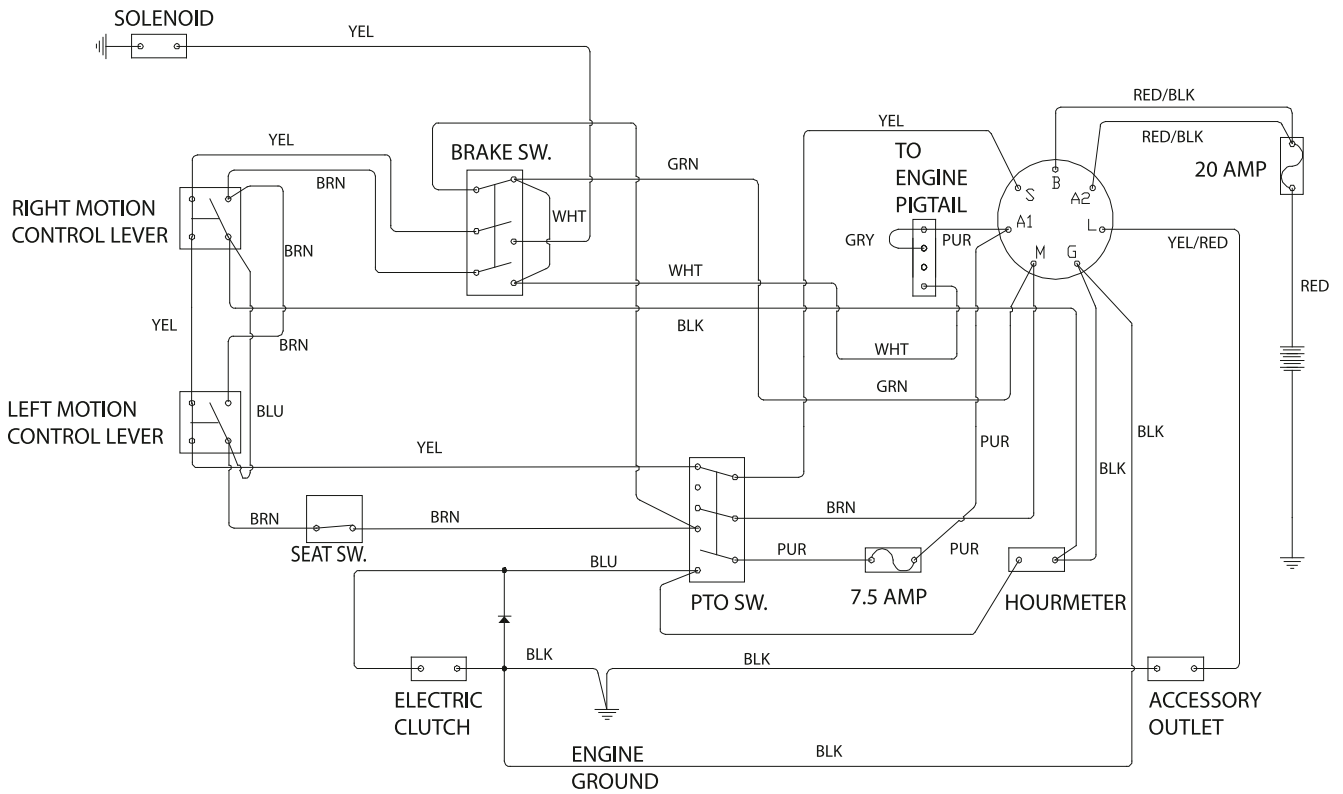
When ordering spare parts, please specify the purchase year, model, type, and serial number.

Always use genuine Husqvarna spare parts.

An annual check-up at an authorized service workshop is a good way to ensure that the machine performs its best the following season.

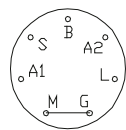
# SCHEMATIC

- NOTE:
1. SEAT UNOCCUPIED
  2. BRAKE SWITCH IN OFF POSITION
  3. MOTION CONTROL LEVERS OUT
  4. PTO IN OFF POSITION

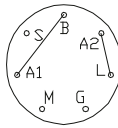


KEY SWITCH POSITIONS

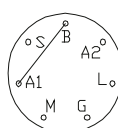
POSITION 1 - OFF



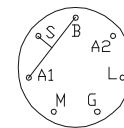
POSITION 2 - RUN1



POSITION 3 - RUN2



POSITION 4 - START



# TECHNICAL DATA

## Accessories

Collection system

### Torque Specifications

Engine crankshaft bolt	50 ft/lb (67 Nm)	Standard $\frac{5}{16}$ " fasteners	18 ft/lb (25 Nm)
Deck pulley bolts	150 ft/lb (203 Nm)	Standard $\frac{3}{8}$ " fasteners	33 ft/lb (44 Nm)
Lug nuts	75 ft/lb (100 Nm)	Standard $\frac{7}{16}$ " fasteners	52 ft/lb (70 Nm)
Blade bolt	90 ft/lb (122 Nm)	Standard $\frac{1}{2}$ " fasteners	80 ft/lb (110 Nm)
Standard $\frac{1}{4}$ " fasteners	9 ft/lb (12 Nm)		

<b>HEX HEAD CAP SCREWS</b>							
The torque values shown should be used as a general guideline when specific torque values are not given.							
U.S. Standard Hardware							
Grade		SAE Grade 5		SAE Grade 8		Flangelock Screw w/Flangelock Nut	
Shank Size (Diameter in inches, fine or coarse thread)	Size	ft./lbs	Nm	ft./lbs	Nm	ft./lbs	Nm
	$\frac{1}{4}$	9	12	13	18		
	$\frac{5}{16}$	18	24	28	38	24	33
	$\frac{3}{8}$	31	42	46	62	40	54
	$\frac{7}{16}$	50	68	75	108		
	$\frac{1}{2}$	75	102	115	156		
	$\frac{9}{16}$	110	150	165	224		
	$\frac{5}{8}$	150	203	225	305		
	$\frac{3}{4}$	250	339	370	502		
	$\frac{7}{8}$	378	513	591	801		
$1\frac{1}{8}$	782	1060	1410	1912			

\*\* Grade 5 - Minimum commercial quality (lower quality not recommended)

<b>Metric Standard Hardware</b>							
Grade		Grade 8.8		Grade 10.9		Grade 12.9	
Shank Size (Diameter in millimetres, fine or coarse thread)	Size	ft./lbs	Nm	ft./lbs	Nm	ft./lbs	Nm
	M4	1.5	2	2.2	3	2.7	3.6
	M5	3	4	4.5	6	5.2	7
	M6	5.2	7	7.5	10	8.2	11
	M7	8.2	11	12	16	15	20
	M8	13.5	18	18.8	25	21.8	29
	M10	24	32	35.2	47	43.5	58
	M12	43.5	58	62.2	83	75	100
	M14	70.5	94	100	133	119	159
	M16	108	144	147	196	176	235
	M18	142	190	202	269	242	323
	M20	195	260	275	366	330	440
	M22	276	368	390	520	471	628
M24	353	470	498	664	596	794	
M27	530	707	474	996	904	1205	

## TECHNICAL DATA

<b>EZ24T \ 966659701</b>	
<b>Engine</b>	
Manufacturer	Briggs & Stratton <sup>1)</sup>
Type	Endurance
Power	14.65 kW @ 3150 RPM <sup>2)</sup>
Lubrication	Pressure with oil filter
Fuel	Min 87 octane unleaded (Max ethanol 10%, Max MTBE 15%)
Fuel tank capacity	4 gallons / 15.1 litres
Cooling	Air cooled
Air filter	Standard
Alternator	12V
Starter	Electric
<b>Transmission</b>	
Transmission	ZT2800 Hydro Gear
Speed and direction controls	Dual levers, foam gripped
Speed forward	0-11.3 km/h / 0-7 mph
Speed reverse	0-5.6 km/h / 0-3.5 mph
Brakes	Mechanical parking brake
Front castor tyres, smooth tread	11 x 4.5, 4 ply
Rear tyres, turf pneumatic	20 x 10-8
Tyre pressure	15 PSI / 103 kPa / 1 bar

<sup>1)</sup> See the engine manufacturer's owner manual for engine specifications.

<sup>2)</sup> The power rating of the engines indicated is the average net power output (at specified rpm) of a typical production engine for the engine model measured to SAE standard J1349/ISO1585. Mass production engines may differ from this value. Actual power output for the engine installed in the final machine will depend on the operating speed, environmental conditions and other variables.



## TECHNICAL DATA

	<b>EZ24T \ 966659701</b> <b>48" Combi Deck</b>
<b>Frame</b>	
Cutting Width	122 cm / 48"
Cutting Height	3.8 - 11.4 cm / 1½ - 4½"
Uncut Circle	0
Number of Blades	3
Blade Length	41.9 cm / 16½"
Nose Rollers	Yes
Sprung Seat	Standard
Hinged Arm Rests	Standard
Hour Meter	Standard
Blade Engagement	Electromagnetic clutch
Deck Construction	Stamped 7 gauge
Productivity	11650 m <sup>2</sup> /h / 2.88 acres/hr
<b>Dimension</b>	
Weight	272 kg / 601 lbs
Base Machine Length	189 cm / 74½"
Base Machine Height	119 cm / 47"
Base Machine Width	118 cm / 46½"
Overall Width, Chute Up	126.7 cm / 50"
Overall Width, Chute Down	-
<b>Vibrations<sup>1)</sup></b>	
Steering Lever	2.56 m/s <sup>2</sup>
Seat	0.19 m/s <sup>2</sup>
<b>Operator Ear<sup>2)</sup></b>	
Sound Level at Operator's Ear	103 dB(A)
Guaranteed Noise Level	105 dB(A)
Measured Noise Level	104 dB(A)

<sup>1)</sup> Vibration level according to EN 836. Reported data for vibration level has a typical statistical dispersion (standard deviation) of 0.2 m/s<sup>2</sup> (steering levers) and 0.8 m/s<sup>2</sup> (seat).

<sup>2)</sup> Sound pressure level according to EN 836. Reported data for noise pressure level has a typical statistical dispersion (standard deviation) of .08 dB(A). If the machine can be equipped with different cutting decks, the noise pressure levels are stated in order starting from the cutting deck with the smallest cutting width.

---

# CONFORMITY CERTIFICATES

---

## Conformity Certificates For Model Listed Below:

966659701 / EZ24T Zero Turn Rider

### USA requirements

Labels are placed on the engine and/or in the engine compartment stating that the machine will fulfil the requirements. This is also applicable to special requirements for any of the states, (California emission rules etc.). Do not remove any of these labels. Certificates can also be supplied with the machine at delivery or written in the Engine manual. Take care of them as they are valuable documents.

## EU Declaration of Conformity Information

### Only applicable to European versions

See the Declaration of Conformity Certificate for additional information.

Husqvarna AB, Orangeburg, SC, USA declares under sole responsibility that the machine types stated on page 1 of this manual, from 2010's serial numbers and onwards (the year is clearly stated in plain text on the rating plate with subsequent serial number), complies with the requirements of the COUNCIL'S DIRECTIVES:

- of May 17, 2006 "relating to machinery" 2006/42/EC, annex IIA.
- of December 15, 2004 "relating to electromagnetic compatibility" 2004/108/EC, and applicable supplements.
- of May 8, 2000 "relating to the emission of noise to surroundings" 2000/14/EC.

The following harmonised standards have been applied: EN ISO 12100-2, EN836.

### Business Name and Address:

Husqvarna  
172 Old Ellore Rd  
Orangeburg, SC 29115 USA

### Notified Body:

SNCH, 11 Route de Luxembourg, L-5230 Sandweiler, has issued reports regarding the assessment of conformity according to annex VI of the COUNCIL'S DIRECTIVE of May 8, 2000 "relating to the noise emissions in the environment" 2000/14EC.

# SERVICE JOURNAL

Action	Date, mtr reading, stamp, sign
<b>Delivery Service</b>	
Charge the battery.	<input type="checkbox"/>
Adjust the tyre pressure of all wheels to 15 PSI (1 bar).	<input type="checkbox"/>
Mount the steering controls in the normal position.	<input type="checkbox"/>
Connect the contact box to the cable for the seat's safety switch.	<input type="checkbox"/>
Check that the right amount of oil is in the engine.	<input type="checkbox"/>
Adjust the position of the steering controls.	<input type="checkbox"/>
Fill with fuel and open the fuel shut off valve.	<input type="checkbox"/>
Start the engine.	<input type="checkbox"/>
Check that there is drive to both wheels.	<input type="checkbox"/>
Check the mower deck adjustment.	<input type="checkbox"/>
Check:	
The safety switch for the parking brake.	<input type="checkbox"/>
The safety switch for the mower deck.	<input type="checkbox"/>
The safety switch in the seat.	<input type="checkbox"/>
The safety switch in the steering controls.	<input type="checkbox"/>
Parking brake functionality.	<input type="checkbox"/>
Driving forward.	<input type="checkbox"/>
Driving backward.	<input type="checkbox"/>
Engaging the blades.	<input type="checkbox"/>
Check the idle speed	<input type="checkbox"/>
Check the engine high idle speed	<input type="checkbox"/>
Inform the customer about:	
The need and advantages of following the service schedule.	<input type="checkbox"/>
The need and advantages of leaving the machine for service every 300 hours.	<input type="checkbox"/>
The effects of service and maintaining a service journal on the machine's resale value.	<input type="checkbox"/>
Application areas for Mulching.	<input type="checkbox"/>
Fill in the sales papers, etc.	
	Delivery service has been carried out. No remaining notes. Certified:

# SERVICE JOURNAL

Action	Date, mtr reading, stamp, sign
<p><b>After the first 5-8 hours</b> Change the engine oil.</p>	<input type="checkbox"/>
<p><b>25-Hour Service</b> Check the engine air filter. Sharpen/Replace mower blades if required. Check the tyre pressures. Check battery cables. Lubricate according to lubrication chart. Check/clean the engine's cooling air intake. Clean the air cleaner's pre-filter (foam).</p>	<input type="checkbox"/> <input type="checkbox"/> <input type="checkbox"/> <input type="checkbox"/> <input type="checkbox"/> <input type="checkbox"/> <input type="checkbox"/>

# SERVICE JOURNAL

Action	Date, mtr reading, stamp, sign
<p><b>50-Hour Service</b></p> <p>Perform the 25-hour service.</p> <p>Clean/replace the air cleaner's filter cartridge (paper filter (shorter intervals for dusty operating conditions)).</p> <p>Change engine oil.</p> <p>Lubricate according to lubrication chart.</p> <p>Check/adjust the parking brake.</p>	<input type="checkbox"/>  <input type="checkbox"/>  <input type="checkbox"/>  <input type="checkbox"/>  <input type="checkbox"/>
<p><b>100-Hour Service</b></p> <p>Perform the 25-hour service.</p> <p>Perform the 50-hour service.</p> <p>Change the engine oil filter.</p> <p>Clean/replace the spark plugs.</p> <p>Replace the fuel filter.</p> <p>Check V-belts.</p> <p>Check and tighten castor wheel axle bolts (every 200 hours).</p> <p>Change the air filter's paper cartridge.</p> <p>Change hydraulic pump oil and filter (200 hours).</p>	<input type="checkbox"/>  <input type="checkbox"/>  <input type="checkbox"/>  <input type="checkbox"/>  <input type="checkbox"/>  <input type="checkbox"/>  <input type="checkbox"/>  <input type="checkbox"/>  <input type="checkbox"/>

# SERVICE JOURNAL

Action	Date, mtr reading, stamp, sign
<p><b>300-Hour Service</b></p> <p>Perform the 25-hour service.</p> <p>Perform the 50-hour service.</p> <p>Perform the 100-hour service.</p> <p>Check/adjust the mower deck.</p> <p>Clean the combustion chamber and grind the valve seats.</p> <p>Check the engine valve clearance.</p> <p>Replace the air cleaner's pre-filter (foam).</p>	<p><input type="checkbox"/></p> <p><input type="checkbox"/></p> <p><input type="checkbox"/></p> <p><input type="checkbox"/></p> <p><input type="checkbox"/></p> <p><input type="checkbox"/></p> <p><input type="checkbox"/></p>
<p><b>At Least Once Each Year</b></p> <p>Clean the engine's cooling air intake (25 hours).</p> <p>Replace the air cleaner's pre-filter (foam) (300 hours).</p> <p>Replace the air filter's paper cartridge.</p> <p>Change the engine oil (50 hours).</p> <p>Replace the engine oil filter (100 hours).</p> <p>Check/adjust the cutting height.</p> <p>Check/adjust the parking brake (50 hours).</p> <p>Clean/Change the spark plugs (100 hours).</p> <p>Change the fuel filter (100 hours).</p> <p>Check the engine valve clearance.</p>	<p><input type="checkbox"/></p> <p><input type="checkbox"/></p> <p><input type="checkbox"/></p> <p><input type="checkbox"/></p> <p><input type="checkbox"/></p> <p><input type="checkbox"/></p> <p><input type="checkbox"/></p> <p><input type="checkbox"/></p> <p><input type="checkbox"/></p> <p><input type="checkbox"/></p>



