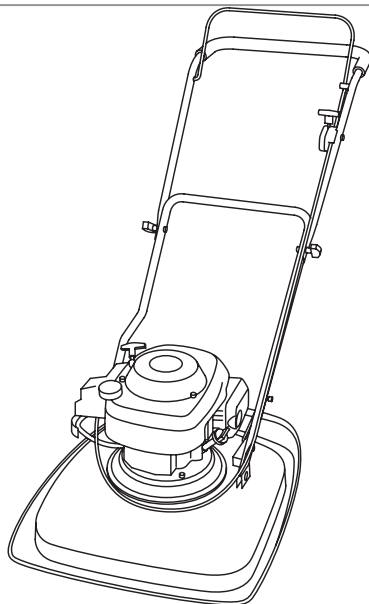


# Husqvarna



**G X 5 6 0**



**GB** Original Instructions

**DE** Originalanleitung

**FR** Instructions d'origine

**NL** Oorspronkelijke instructies

**NO** Originalinstrukser

**FI** Alkuperäiset ohjeet

**SE** Originalinstruktioner

**DK** Originale instruktioner

**ES** Instrucciones originales

**PT** Instruções Originais

**IT** Istruzioni originali

**GB****IMPORTANT INFORMATION**

Read before use and retain for future reference

**DE****WICHTIGE INFORMATION**

Bitte vor dem Benutzen des Gerätes durchlesen und gut aufbewahren

**FR****RENSEIGNEMENTS IMPORTANTS**

A lire avant usage et à conserver pour référence ultérieure

**NL****BELANGRIJKE INFORMATIE**

Leest u deze informatie voor het gebruik en bewaar ze voor toekomstige raadpleging

**NO****VIKTIG INFORMASJON**

Les bruksanvisningen nøye før bruk og oppbevar den for senere bruk

**FI****TÄRKEÄÄ TIETOA**

Lue tämä ennen käyttöä ja säilytä myöhempää tarvetta varten

**SE****VIKTIG INFORMATION**

Läs anvisningarna före användningen och spara dem för framtida behov

**DK****VIGTIGE OPLYSNINGER**

Du bør læse brugsanvisningen før brug og gemme til senere henvisning

**ES****INFORMACIÓN IMPORTANTE**

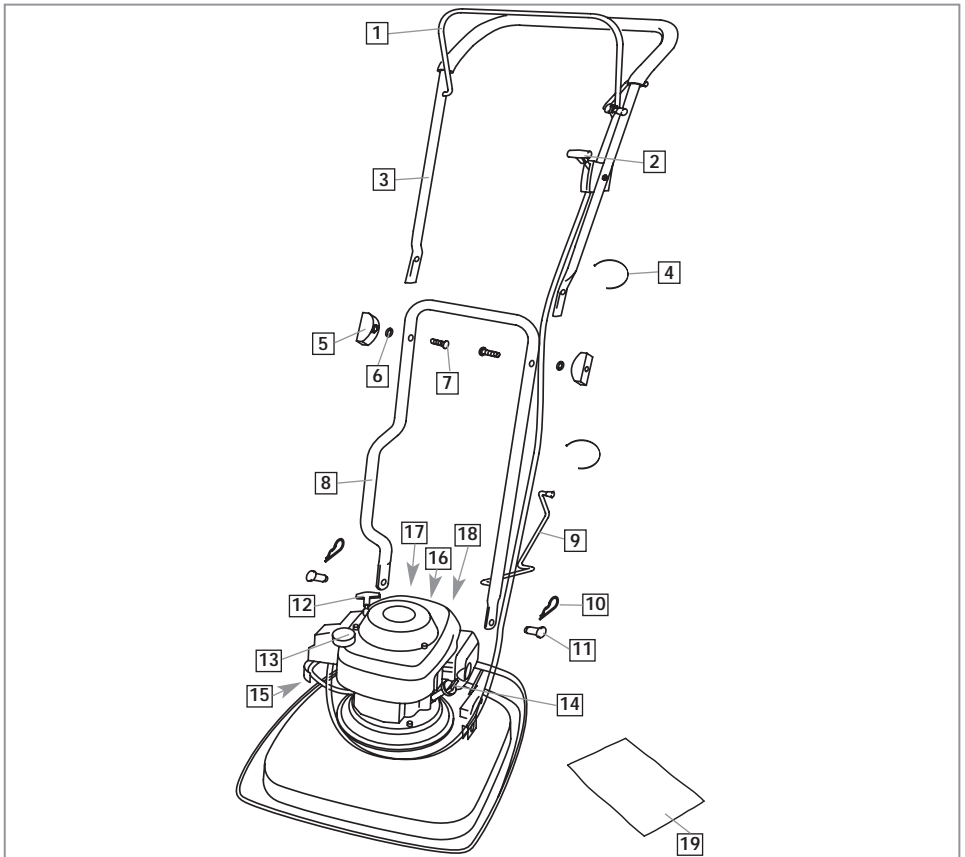
Léase antes de utilizar y consérvela como referencia en el futuro

**PT****INFORMAÇÕES IMPORTANTES**

Leia antes de utilizar e guarde para consulta futura

**IT****INFORMAZIONI IMPORTANTI**

Leggere prima dell'uso e conservare per ulteriore consultazione



**GB CONTENTS - XL500/550**

1. Operator Presence Control
2. Choke Control Lever
3. Upper Handle
4. Cable Tie Wrap x 2
5. Handle Knob x 2
6. Washer x 2
7. Bolt x 2
8. Lower Handle
9. Hook Assembly
10. Lower Handle Retaining Clip x2
11. Lower Handle Pin x2
12. Starting Handle
13. Fuel Tank Cap
14. Oil Filler Cap
15. Fuel Tap
16. Spark Plug Lead
17. Rating Label
18. Warning Label
19. Instruction Booklet
20. Safety Manual

**DE INHALT - XL500/550**

1. Bedienerpräsenz-Kontrollvorrichtung
2. Chokeschalthebel
3. Oberer Griff
4. Kabelhalter x 2
5. Griffknopf x 2
6. Unterlegscheibe x 2
7. Bolzen x 2
8. Unterer Griff
9. Hakeneinheit
10. Halteklammer, unterer Griff, x 2
11. Stift, unterer Griff, x 2
12. Starterseil
13. Tankkappe
14. Öleinfüllverschluss
15. Kraftstoffhahn
16. Zündkerzenzuleitung

**FR TABLE DES MATIÈRES - XL500/550**

1. Arceau de sécurité (CPO) (Contrôle de Présence de l'Opérateur)
2. Manette de starter
3. Poignée supérieure
4. Cable Tie Wrap x 2
5. Bouton de Guidon x 2
6. Rondelle x 2
7. Boulons x 2
8. Guidon inférieur
9. Montage du crochet
10. Attache de câble x 2
11. Boulon de poignée inférieure x 2
12. Poignée de démarrage
13. Bouchon du réservoir d'essence
14. Bouchon de remplissage d'huile
15. Robinet à essence
16. Fil de bougie
17. Plaque d'identification
18. Etiquette d'avertissement
19. Manuel d'instructions
20. Manuel de sûreté

**NL INHOUD - XL500/550**

1. Operator Presence Control (OPC of Veiligheids hendel)
2. Regelhendel choke
3. Bovenste duwboom
4. Kabelklem x 2
5. Knop voor duwboom x 2
6. Ring x 2
7. Bout x 2
8. Onderstuk van duwboom

**9. Haak**

10. Borgclip onderste handgreep x 2
11. Bout voor onderste handgreep x 2
12. Starthendel
13. Dop voor benzinetank
14. Oil Filler Cap
15. Fuel Tap
16. Bougiekabel
17. Productlabel
18. Waarschuwingsetiket
19. Handboek
20. Zekerheid manueel

**NO INNHOLD - XL500/550**

1. Start/Stop bryter
2. Chokens kontrollspak
3. Øvre håndtak
4. Kabelfeste x 2
5. Vingemutter (2 stk)
6. Skiver (2 stk)
7. Bolt (2 stk)
8. Nedre håndtak
9. Krokmontering (Hakemontering)
10. Låseklemme x 2 til nedre håndtak
11. Bolt x 2 til nedre håndtak
12. Starthåndtak/snor
13. Bensintanklokk
14. Ojlelokk
15. Bensinkran
16. Ledning/hette for tennplugg
17. Typeetiketten
18. Advarselsetikett
19. Bruksanvisning
20. Sikkerhets håndbok

**FI SISÄLTÖ - XL500/550**

1. Käynnistys/pysäytys-katkaisin
2. Ryyppytyksen säätövipu
3. Ylävarsi
4. Johdonpidike x 2
5. Kahvan nuppi x 2
6. Pultin välirengas x 2
7. Pultti x 2
8. Alempi kahva
9. Koukku
10. Alemman kahvan pidike x 2
11. Alemman kahvan pultti x2
12. Käynnistyskahva
13. Polttoainesäiliön korkki
14. Öljyntäyttöaukon korkki
15. Polttoainehana
16. Sytytystulpan johdin
17. Tuotteen arvokilpi
18. Varoitusnimike
19. Käyttöohjeet
20. Turva käsikirja

**SE INNEHÅLL - XL500/550**

1. Motorbromsbygel
2. Kontrollspak för choke
3. Övre handtag
4. Kabelklämma x 2
5. Vingmutter x 2
6. Bricka x 2
7. Bult x 2
8. Nedre handtag
9. Hakenhet
10. Fasthållningsklämma för nedre handtag x 2
11. Bult för nedre handtag x 2
12. Starthandtag
13. Tanklock
14. Lock för oljepåfyllningshål
15. Tanklock
16. Tändkabel
17. Identifieringsetikett
18. Varningsetikett
19. Instruktionsbok
20. Säkerhets manual

**DK INDHOLD- XL500/550**

1. Start/stopkontakt
2. Chokerbetjeningsgreb
3. Øvre håndtag
4. Kabelbåndsholder x 2
5. Håndtagsknop
6. Spændskive x 2
7. Bolt x 2
8. Nedre håndtag
9. Krogssamling
10. Clips til nederste håndtag x 2
11. Bolt til nederste håndtag x 2
12. Starthåndtag
13. Benzindæksel
14. Oliepåfyldningsdæksel
15. Brændstofhane
16. Tændrørsledning
17. Produktmærkat
18. Advarselsmærkat
19. Brugsvejledning
20. Sikkerhed håndbog

**ES CONTENIDO- XL500/550**

1. Interruptor de contacto
2. Palanca de control del estrangulador
3. Manillar superior
4. Sujetadores de cable x 2
5. Manija de empuñadura x 2
6. Arandela x 2
7. Perno x 2
8. Empuñadura inferior
9. Montaje del engancho
10. Clips de retención del mango inferior x2
11. Pernos del mango inferior x2
12. Manilla de arranque
13. Tapa del tanque de combustibles
14. Tapón de llenado de aceite
15. Tapón de combustible
16. Cable de la bujía
17. Etiqueta indicadora del producto
18. Etiqueta de Advertencia
19. Manual de Instrucciones
20. Manual de seguridad

**PT LEGENDA- XL500/550**

1. Interruptor de Ligar/Desligar
2. Alavanca de Controlo da Válvula de Borboleta
3. Cabo Superior
4. Braçadeira de cabo x 2
5. Maçaneta x 2
6. Arruela x 2
7. Cavilha x 2
8. Guiador inferior
9. Conjunto do Gancho
10. Clipe de retenção da pega inferior x 2
11. Parafuso da pega inferior x 2
12. Pega de Arranque
13. Tampa do Depósito de Combustível
14. Bujão de enchimento de óleo
15. Torneira de combustível
16. Fio da vela de ignição
17. Etiqueta de Especificações do Produto
18. Etiqueta de Aviso
19. Manual de Instruções
20. Manual de segurança

**IT INDICE CONTENUTI - XL500/550**

1. Leva comando/controllo
2. Leva di comando starter
3. Manico superiore
4. Fascette serrafilo x 2
5. Manopola dell'impugnatura x 2
6. Rondella x 2
7. Bullone x 2
8. Impugnatura inferiore
9. Gruppo gancho
10. fermi di ritenuta impugnatura inferiore x2
11. Bulloni impugnatura inferiore x2
12. Maniglia di avviamento
13. Tappo serbatoio carburante
14. Tappo rifornimento olio
15. Rubinetto serbatoio carburante
16. Conduttore candela
17. Etichetta con dati prodotto
18. Etichetta di pericolo
19. Manuale d'istruzioni
20. Manuale di sicurezza

**GB CONTENTS - Wheel Frame**

- 21. Lower Handle
- 22. Wheels x 2
- 23. Upper telescopic tubes
- 24. Telescopic tube pin x 2
- 25. Telescopic tube retaining clip x 2
- 26. Lower telescopic tubes
- 27. Wheel retaining clips x 2
- 28. Wheel frame
- 29. Hook Assembly
- 30. Lower handle bolt x 2
- 31. Small washer x 2
- 32. Lower handle pin x 2
- 33. Large washer x 2
- 34. Locknut x 2

**DE INHALT - Zum Radgestell gehörende Teile**

- 21. Unterer Griff
- 22. Räder x 2
- 23. Obere Teleskoprohre
- 24. Teleskoprohrstift x 2
- 25. Teleskoprohr-Halteklammer x 2
- 26. Untere Teleskoprohre
- 27. Radhalteklammern x 2
- 28. Radgestell
- 29. Hakeneinheit
- 30. Bolzen, unterer Griff, x 2
- 31. Kleine Unterlegscheibe x 2
- 32. Stift, unterer Griff, x 2
- 33. Große Unterlegscheibe x 2
- 34. Sicherungsmutter x 2

**FR TABLE DES MATIÈRES****- Chariot de transport**

- 21. Guidon inférieur
- 22. Roues x 2
- 23. Tubes télescopiques - partie supérieure
- 24. Goupille de tube télescopique x 2
- 25. Clip de retenue de tube télescopique x 2
- 26. Tubes télescopiques - partie inférieure
- 27. Clips de retenue des roues x 2
- 28. Cadre des roues
- 29. Montage du crochet
- 30. Boulon de poignée inférieure x 2
- 31. Petite rondelle x 2
- 32. Goupille de poignée inférieure x 2
- 33. Grosse rondelle x 2
- 34. Contre-écrou x 2

**NL INHOUD - Wielframe**

- 21. Onderstuk van duwboom
- 22. Wielen x 2
- 23. Bovenste uitschuifbare buizen
- 24. Pen voor uitschuifbare buis x 2
- 25. Borgclip voor uitschuifbare buis x 2
- 26. Onderste uitschuifbare buizen
- 27. Borgclips voor wielen x 2
- 28. Wielframe
- 29. Haak
- 30. Bout voor onderste handgreep x 2
- 31. Kleine pasring x 2
- 32. Pen voor onderste handgreep x 2
- 33. Grote pasring x 2
- 34. Borgmoer x 2

**NO INNHOLD - Hjulramme**

- 21. Nedre håndtak
- 22. Hjul x 2
- 23. Øvre teleskopiske rør
- 24. Låsepinne til teleskopisk rør x 2
- 25. Låseklemme til teleskopisk rør x 2
- 26. Nedre teleskopiske rør
- 27. Låseklemmer til hjulene x 2
- 28. Hjulramme
- 29. Krokmontering (Hakemontering)
- 30. Bolt x 2 til nedre håndtak
- 31. Liten skive x 2
- 32. Låsepinne x 2 til nedre håndtak
- 33. Stor skive x 2
- 34. Låsemutter x 2

**FI SISÄLTÖ - Pyörän runko**

- 21. Alempi kahva
- 22. Pyörä x 2
- 23. Ylemmät teleskoopivarret
- 24. Teleskoopivarren sokka x 2
- 25. Teleskoopivarren pidike x 2
- 26. Alemmat teleskoopivarret
- 27. Pyörän pidikkeet x 2
- 28. Pyörän runko
- 29. Koukku
- 30. Alemman kahvan pultti x 2
- 31. Pieni aluslaatta x 2
- 32. Alemman kahvan sokka x 2
- 33. Iso aluslaatta x 2
- 34. Lukkomutteri x 2

**SE INNEHÅLL - Hjulram**

- 21. Nedre handtag
- 22. Hjul x 2
- 23. Övre teleskopiska rör
- 24. Sprint för teleskopiskt rör x 2
- 25. Fasthållningsklämma för teleskopiskt rör x 2
- 26. Nedre teleskopiska rör
- 27. Fasthållningsklämmor för hjul x 2
- 28. Hjulram
- 29. Hakenhet
- 30. Bult för nedre handtag x 2
- 31. Liten mellanlägsbricka x 2
- 32. Sprint för nedre handtag x 2
- 33. Stor mellanlägsbricka x 2
- 34. Låsmutter x 2

**DK INDHOLD - Hjulstel**

- 21. Nedre håndtag
- 22. Hjul x 2
- 23. Øverste teleskoprør
- 24. Teleskoprørstift x 2
- 25. Teleskoprørclips x 2
- 26. Nederste teleskoprør
- 27. Hjulclips x 2
- 28. Hjulstel
- 29. Krogsamling
- 30. Bolt til nederste håndtag x 2
- 31. Lille spændeskive x 2
- 32. Stift til nederste håndtag x 2
- 33. Stor spændeskive x 2
- 34. Låsemotrik x 2

**ES CONTENIDO****Bastidor de las ruedas**

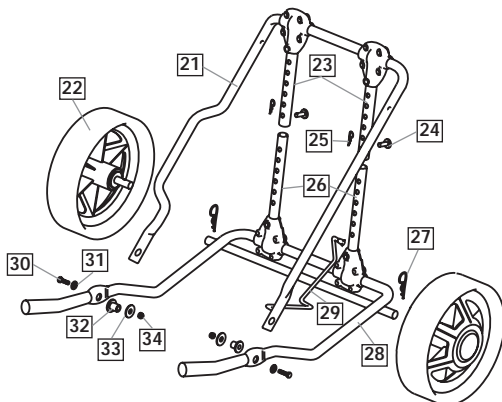
- 21. Empuñadura inferior
- 22. Ruedas x 2
- 23. Tubos telescópicos superiores
- 24. Pasador del tubo telescópico x 2
- 25. Clip de retención del tubo telescópico x 2
- 26. Tubos telescópicos inferiores
- 27. Clips de retención de las ruedas x 2
- 28. Bastidor de las ruedas
- 29. Montaje del gancho
- 30. Pernos del mango inferior x 2
- 31. Arandelas pequeñas x 2
- 32. Pasadores del mango inferior x 2
- 33. Arandelas grandes x 2
- 34. Contratuercas x 2

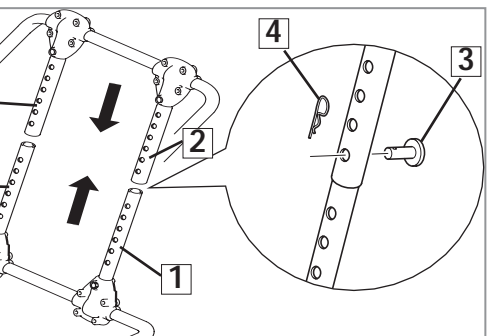
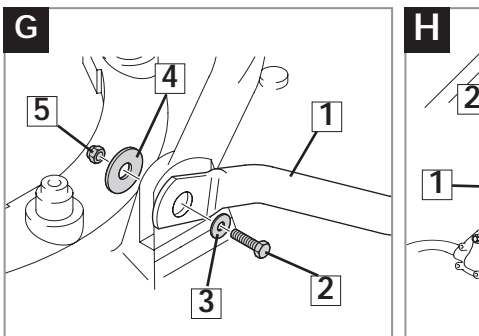
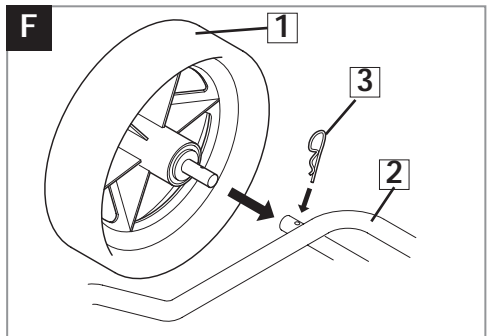
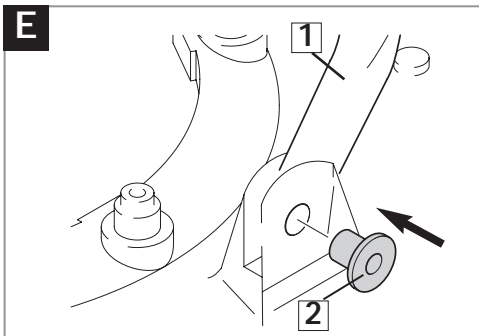
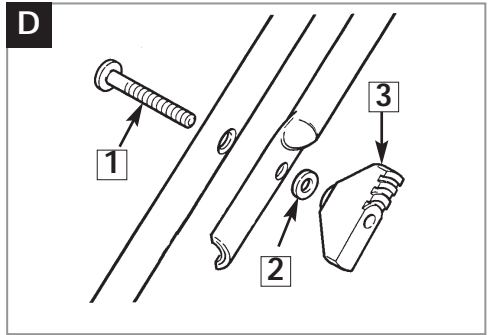
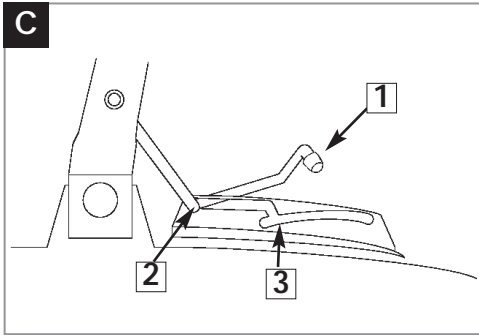
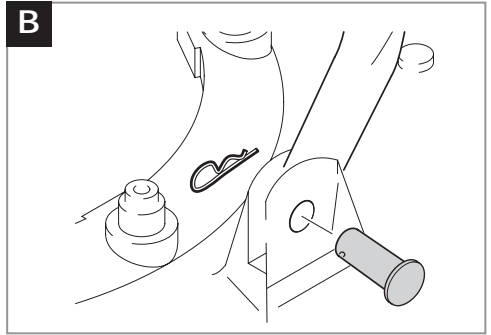
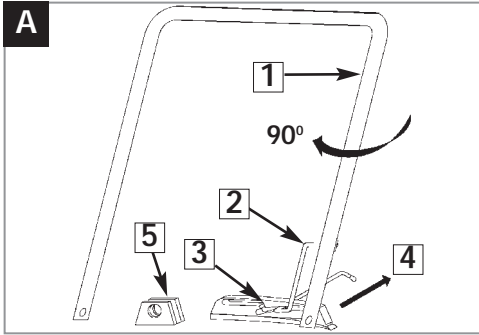
**PT LEGENDA - Armação das Rodas**

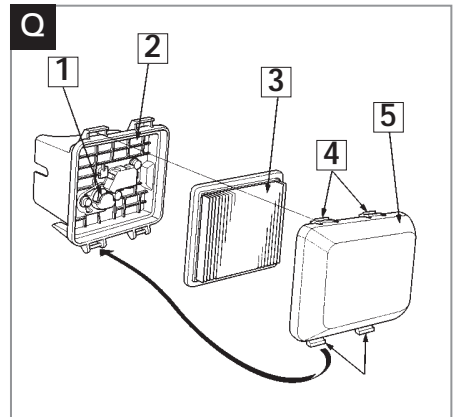
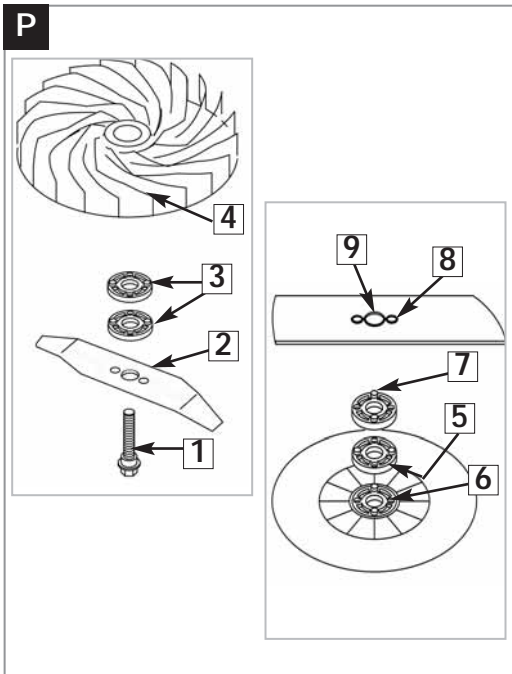
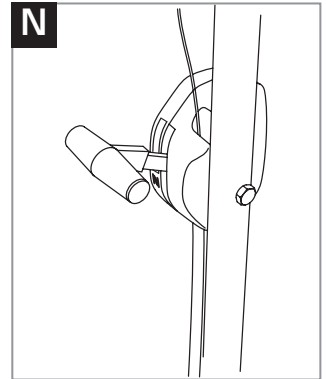
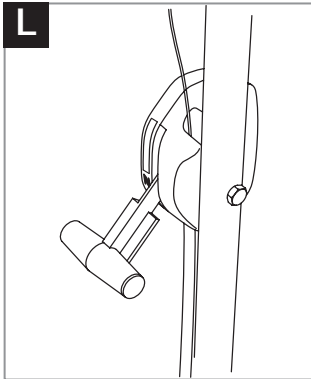
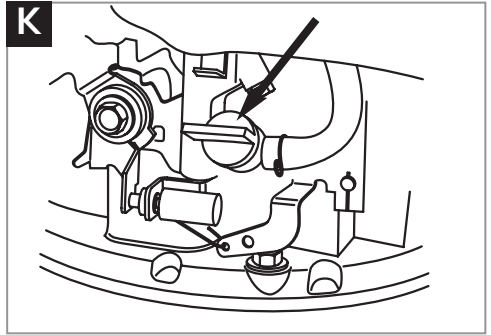
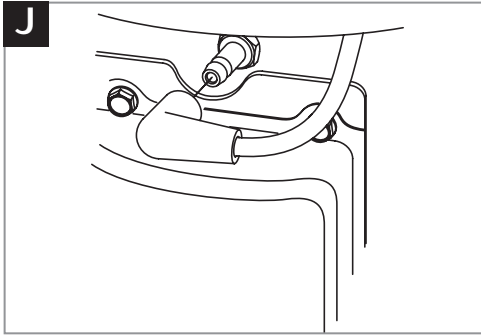
- 21. Guiador inferior
- 22. Rodas x 2
- 23. Tubos telescópicos superiores
- 24. Pino do tubo telescópico x 2
- 25. Clipe de retenção do tubo telescópico x 2
- 26. Tubos telescópicos inferiores
- 27. Clipes de retenção das rodas x 2
- 28. Armação das rodas
- 29. Conjunto do Gancho
- 30. Parafuso da pega inferior x 2
- 31. Anilha pequena x 2
- 32. Pino da pega inferior x 2
- 33. Anilha grande x 2
- 34. Porca de aperto x 2

**IT INDICE CONTENUTI - Telaio ruote**

- 21. Impugnatura inferiore
- 22. Ruote x 2
- 23. Tubi telescopici superiori
- 24. Spina tubo telescopico x 2
- 25. Fermo di ritenuta tubo telescopico x 2
- 26. Tubi telescopici inferiori
- 27. Fermi di ritenuta ruote x 2
- 28. Telaio ruote
- 29. Gruppo gancio
- 30. Bulloni impugnatura inferiore x 2
- 31. Rondelle piccole x 2
- 32. Spine impugnatura inferiore x 2
- 33. Rondelle grandi x 2
- 34. Controdadi x 2

**Wheel Frame (if applicable)****Zum Radgestell gehörende Teile (falls zutreffend)****Chariot de transport (s'il y a lieu)****Wielframe (indien van toepassing)****Hjulramme (om relevant)****Pyörän runko (jos käytössä)****Hjulram (där sådan finns)****Hjulstel (hvis relevant)****Bastidor de las ruedas (si fuera aplicable)****Armação das Rodas (se aplicável)****Telaio ruote (se in dotazione)**





## Safety Precautions



If not used properly this lawnmower can be dangerous! This lawnmower can cause serious injury to the operator and others, the warnings and safety instructions must be followed to ensure reasonable safety and efficiency in using this lawnmower. The operator is responsible for following the warning and safety instructions in this manual and on the lawnmower.

### Explanation of Symbols on your product



Warning



Read the user instructions carefully to make sure you understand all the controls and what they do.



Always keep the lawnmower on the ground when mowing. Tilting or lifting the lawnmower may cause stones to be thrown out



Keep bystanders away. Do not mow whilst people especially children or pets are in the mowing area



Beware of severing toes or hands. Do not put hands or feet near a rotating blade.



Disconnect the spark plug before attempting any maintenance, cleaning or adjustment, or if you are going to leave the lawnmower unattended for any period.



Blade continues to rotate after the machine is switched off.  
Wait until all machine components have completely stopped before touching them.

### General

1. Never allow children or people unfamiliar with these instructions to use the mower. Local regulations may restrict the age of the operator.
2. Stop using the machine while people, especially children, or pets are nearby.
3. Only use the lawnmower in the manner and for the functions described in these instructions.
4. Never operate the lawnmower when you are tired, ill or under the influence of alcohol, drugs or medicine.
5. The operator or user is responsible for accidents or hazards occurring to other people or their property.

### Fuel Safety WARNING - Petrol is highly flammable

- Wear protective clothing when handling any fuels and lubricants.
- Avoid contact with skin. If affected, wash liberally with soap and water.
- Remove petrol and engine oil before transporting the product.
- Store fuel in a cool place in a container specifically designed for the purpose. In general plastic containers are unsuitable
- refuel outdoors only and do not smoke while refuelling
- add fuel **BEFORE** starting the engine. Never remove the cap of the fuel tank or add fuel while the engine is running or when the engine is hot
- if petrol is spilled, do not attempt to start the engine but move the machine away from the area of spillage and avoid creating any source of ignition until petrol vapours have dissipated
- replace all fuel tanks and container caps securely
- move the product away from the fuelling area before starting
- Fuel should be stored in a cool place away from naked flames

### Preparation

1. While using your product always wear substantial footwear and long trousers. Do not operate the equipment when barefoot or wearing open sandals.
2. The use of ear protection is recommended.
3. Make sure the lawn is clear of sticks, stones, bones, wire and debris; they could be thrown by the blade.
4. Before using the machine and after any impact, check

5. for signs of wear or damage and repair as necessary.
6. Replace worn or damaged blades together with their fixings in sets to preserve balance.
7. Have faulty silencers replaced.

### Use

1. Do not operate the engine in a confined space where exhaust fumes (carbon monoxide) can collect.
2. Use the lawnmower only in daylight or good artificial light.
3. Avoid operating your lawnmower in wet grass, where feasible.
4. Take care in wet grass, you may lose your footing.
5. On slopes, be extra careful of your footing and wear non-slip footwear.
6. Mow across the face of slopes, never up and down.
7. Exercise extreme caution when changing direction on slopes.
8. Mowing on banks and slopes can be dangerous. Do not mow on **banks** or **steep** slopes.
9. Do not walk backwards when mowing, you could trip. Walk never run.
10. Never cut grass by pulling the mower towards you.
11. Release the Operator Presence Control to stop the engine before pushing the mower across surfaces other than grass and when transporting the lawnmower to and from the area to be mowed.
12. Never operate the lawnmower with damaged guards or without guards in place.
13. Do not overspeed the engine or alter governor settings. Excessive speed is dangerous and shortens lawnmower life.
14. Disengage all blade and drive clutches before starting.
15. Keep hands and feet away from the cutting means at all times and especially when switching on the engine.
16. Do not tilt the product when the motor is running, except when starting and stopping. In this case, do not tilt more than absolutely necessary and lift only the part which is away from the operator.
17. Never pick up or carry a lawnmower while the engine is running
18. Spark plug wire may be hot - handle with care.
19. Do not attempt any maintenance on your lawnmower when the engine is hot.
20. Release the Operator Presence Control, to stop the engine, and wait until the blade has stopped:-  
- before leaving the mower unattended for any period.
21. Release the Operator Presence Control, to stop the engine, wait until the blade has stopped and disconnect the spark plug lead and wait until the engine has cooled:-  
- before refuelling;  
- before clearing a blockage;  
- before checking, cleaning or working on the appliance;  
- if you hit an object. Do not use your lawnmower until you are sure that the entire lawnmower is in a safe operating condition;  
- if the lawnmower starts to vibrate abnormally. Check immediately. Excessive vibration can cause injury.

### Maintenance and storage

1. Caution - Do not touch rotating blade.
2. Keep all nuts, bolts and screws tight to be sure the lawnmower is in safe working condition.
3. Replace worn or damaged parts for safety.
4. Only use the replacement blade, blade bolt, spacer and impeller specified for this product.
5. Never store the lawnmower with fuel in the tank inside a building where fumes can reach an open flame or spark.
6. Allow the engine to cool before storing in any enclosure.
7. To reduce fire hazard, keep the engine, silencer, battery compartment and fuel storage area free of grass, leaves or excessive grease.
8. If the fuel tank has to be drained, this should be done outdoors.
9. Store in a cool dry place and out of reach of children. Do not store outdoors.



## Assembly (without wheels)

### Fitting the Lower Handle to the Lawnmower

1. Feed the hook (A2) attached to the lower handle (A1) halfway through the centre slot of the guide (A3), in the direction indicated by the arrow (A4).
2. Maintaining the hook (A2) in the centre slot of the guide (A3) turn the lower handle (A1) clockwise through 90° to place both legs of the lower handle in position between the hood brackets (A5).
3. Insert the pins (B1) and secure with the retaining clips (B2).

### Fitting the Upper Handle to the Lower Handle

- BEFORE** fitting the upper handle to the lower handle, stabilize the lower handle by lifting the hook (C1) to the 'parking' position (C2).
1. Ensure the Choke Control Lever is on the left hand side when viewed from the rear.
  2. Align the lower and upper handle (See fig D). Locate the bolts (D1), washers (D2) and secure with the handle knobs (D3).
  3. Fit the cables to the handles with the cable ties provided, making sure the cables are not trapped between the upper and lower handles.

## Assembly (with wheels)

1. Fit the lower handle (E1) to the deck with the lower handle pin (E2) as illustrated in Fig E.
2. Attach the wheels (F1) to the wheel frame (F2) with the wheel retaining clips (F3) as illustrated in Fig F.
3. Fit the wheel frame (G1) to the deck with the lower handle bolt (G2), small washer (G3), large washer

- (G4) and locknut (G5) as illustrated in Fig G.
  4. Locate the lower telescopic tubes (H1) inside the upper telescopic tubes (H2) and secure with the pin (H3) and retaining clip (H4) as illustrated in Fig H.
- Fit the Upper Handle to the Lower Handle by following the instructions above in 'Assembly (without wheels)' section.

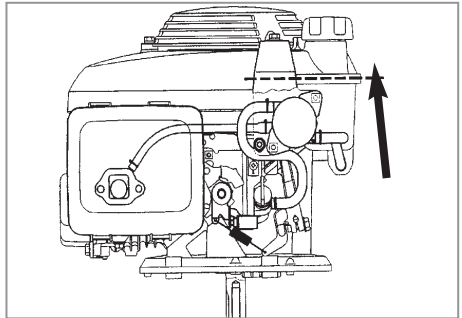
## Handle Position

The handle position can be adjusted using the guide and hook assembly.

1. Lift hook (C1).
2. Position as required:  
(C2) Parking position  
(C3) Mowing position

## Fuel

Use a fresh, clean, unleaded regular automotive gasoline. Do not fill the fuel tank in an enclosed area, when the engine is hot or while you are smoking or near a naked flame. Thoroughly clean around the fuel tank filler cap before filling, this will help to prevent dirt being introduced into the fuel system. Fuel should be stored in a cool place away from naked flames. Do not fill the tank while the engine is running. Fill the fuel tank through a funnel fitted with a fine filter. Never fill fuel tank completely, only fill to the base of the filler neck. When filling the fuel tank from empty, or when the engine has previously run dry, a minimum of 400cc of fuel must be added (to the level of the line indicated in the diagram) to ensure correct priming of the fuel pump to start the engine. Your carburettor is pre-set. Normally no further adjustment is required.



## Oil

Use 4-stroke automotive detergent oil. SAE 10W-30 is recommended for general use.

Fill with oil as instructed in your Engine Owners Manual provided with your product.

## Starting and Stopping

### To Start your Lawnmower

1. Move the handle to the parking position (C2).
2. Connect the spark plug lead. (J).
3. Open the fuel tap (K).
4. Move the Choke control lever to the 'Choke' position (L) when starting from cold, and to the 'Run' position (N) when starting from hot.
5. Pull and firmly hold the Operator Presence Control to the upper handle.
6. Place your right foot firmly on the deck and grasp the top of the lower handle with your left hand. Tilt the trimmer towards you (M). This ensures the product is in a secure position when starting and also prevents an unsightly ring being cut in your lawn.
7. Pull the starting handle gently until you feel a resistance, return the starting handle slowly.

8. Pull the starting handle firmly towards you to its full extent.
9. Allow the engine to reach its full running speed then gently lower the lawnmower to the ground.
10. When the engine has warmed up make sure the choke control lever is in the 'Run' (N) position.

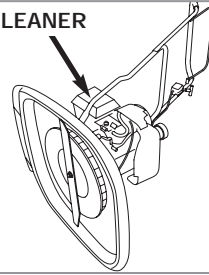
### To Stop your Lawnmower

- Blade continues to rotate after the machine has switched off, rotating blades can cause injury.
1. Release the Operator Presence Control.
  2. As the engine dies, tilt the lawnmower slightly. This prevents a ring being cut in your lawn.
  3. When the engine has stopped, lower the lawnmower to the ground.
  4. Put the handle in the Parking position (C2).
  5. Close the fuel tap (K)

## IMPORTANT

Before any servicing to the underside of your machine, close the fuel tap, let the engine run until it stops, disconnect the spark plug lead and **TIP THE MACHINE ON ITS SIDE WITH THE AIR CLEANER UPPERMOST.**

AIR CLEANER



**TIP  
THIS  
WAY  
ONLY**

## How To Mow

- Before using the lawnmower, always visually inspect to see that blades and bolts are not worn or damaged.
- 1. Place the handle in the mowing position (C3).
- 2. Mow twice a week in the growing season. Your lawn will suffer if more than one third of its length is cut at one time.
- Keep hands and feet away from the blade, a rotating blade cannot be seen.
- Mowing on banks and slopes can be dangerous.
- Do not mow on steep slopes.
- Always keep your feet on flat ground with the mower below you on the slope and with the spark plug uppermost to avoid lubricating oil running into the cylinder.
- Do not use this mower on slopes which are wet or more than 45° from horizontal.
- Never push the mower up the slope.

## Adjusting the Cutting Height

- Never use more than 2 cutting height spacers.
  - Spacers can only be fitted between the blade and the fan and never between blade and the bolt (P).
1. Ensure the Operator Presence Control is released, when the engine has stopped rotating - disconnect the spark plug lead.
  2. Close the fuel tap (K). Turn your lawnmower on its side.
  3. Remove the blade bolt (P1) and blade (P2) as described in 'Removing the Blade and Fan'.
  4. For a Lower Cut - Add spacers (P3) to a maximum of 2.
  5. For a Higher Cut - Take spacers (P3) away.
  6. Refit the blade as described in 'Fitting the Blade and Fan'.

## Removing & Fitting the Blade & Fan

### WARNING

- Always handle the blade with care - sharp edges could cause injury. USE GLOVES
- Spark plug lead may be hot - handle with care.

### Removing the Blade and Fan

- Renew your metal blade after 50 hours mowing or 2 years whichever is the sooner - regardless of condition.
  - If the blade is cracked or damaged replace it with a new one.
1. Ensure the Operator Presence Control is released, when the engine has stopped and the blade has stopped rotating - disconnect the spark plug lead.
  2. Fully close the fuel tap (K).
  3. Turn your lawnmower on its side with the air cleaner uppermost (see pic above).
  4. To remove the blade bolt (P1), hold the fan (P4) firmly and with the spanner provided loosen the blade bolt by turning it anti-clockwise.
  5. Remove the blade bolt (P1), blade (P2), spacers (P3) and fan (P4).
  6. Inspect for damage and clean as necessary.

### Fitting the Blade and the Fan

- Before using the lawnmower, always visually inspect to see that blades and bolts are not worn or damaged.
  - Never use more than 2 cutting height spacers.
  - Spacers can only be fitted between the blade and the fan and never between blade and the bolt.
1. Ensure the fan is located correctly.
  2. Place the spacers (P3) onto the fan ensuring the pegs (P5) have located into the holes (P6).
  3. Place the blade (P2) onto the spacers (P3) ensuring the pegs (P7) have located into the holes (P8) on the blade and ensuring the blade is positioned as illustrated in Figure P.
  4. Place the blade bolt (P1) through the centre hole (P9) of the blade.
  5. Tighten down clockwise by hand.
  6. Hold the fan firmly and tighten the blade bolt with the spanner provided.

## Spark Plug

An oily or carboned spark plug makes starting difficult and decreases the efficiency of the engine. Periodically remove the spark plug and clean and adjust when necessary.

Gap setting 0.028 - 0.031".

Do not remove spark plug when engine is hot. Do not sand blast the spark plug to clean it.

## Cleaning the Air Filter

Q1 - Air Duct, Q2 - Air Cleaner Body, Q3 - Filter, Q4 - Latch Tabs, Q5 - Air Cleaner Cover  
Never run the engine without a filter or with a dirty filter. This will greatly reduce engine efficiency and lead to engine damage.

Your lawnmower is fitted with an Air Cleaner, the maintenance for which is as follows:-

- Check the filter before each use.
- Clean every 25 hrs or more frequently when used in dusty areas.
- Replace filter every 200 hrs.

1. Press the latch tabs on the top of the air cleaner cover and remove the cover.
2. Check the filter is clean and in good condition.  
**If the filter is dirty:-**  
Tap the air filter several times on a hard surface to remove dirt, or blow compressed air through the air filter from the clean side that faces the engine. Never try to brush off dirt. Brushing will force dirt into the fibers.
3. Wipe dirt from the air cleaner body and cover using a moist rag. Be careful to prevent dirt from entering the air duct that leads to the carburetor.
4. Replace the filter and air cleaner cover.

## Caring for your Lawnmower

If you do not intend to use your lawnmower for long periods it is advisable to follow this procedure after use:

1. Stop the engine.
2. Fully close the fuel tap. (K)
3. Restart the engine.
4. As fuel runs out the engine will begin to stop, tilt the lawnmower slightly.
5. Once the engine has stopped, release the Operator Presence Control.
6. Disconnect the spark plug lead.
7. Remove all fuel from the fuel tank.

**Cleaning - USE GLOVES**

- Keep your lawnmower clean - grass clippings left in any of the air intakes, around the engine or under the deck could become a potential fire hazard.
  - Do not clean with chemicals, including petrol, or solvents - some can destroy critical plastic parts.
1. Remove grass from under the deck with a piece of wood or similar.
  2. Using a soft brush - remove grass clippings from around the engine and from all air intakes.
  3. Remove the fan, See 'Removing and Fitting the Blade and Fan', and clean with a soft brush.
  4. Wipe over the surface of your lawnmower with a dry cloth.

**Transporting your Lawnmower**

- Turn the fuel tap to the off position and transport with the engine in a horizontal position.
- Never transport the lawnmower when it is running.

**Storing Your Lawnmower**

Turn the fuel tap to the off position and store in a cool, dry, damp-proof and safe place with the engine in a horizontal position. Service your lawnmower after the last cut of the year as follows:-

**At the end of the Mowing Season**

1. Stop the engine.
2. Fully close the fuel tap. (K)
3. Restart the engine.
4. As fuel runs out the engine will begin to stop, tilt the lawnmower slightly.
5. Once the engine has stopped, release the Operator Presence Control.
6. Disconnect the spark plug lead.
7. Remove all fuel from the fuel tank.
8. Remove the spark plug lead and spark plug. Pour one teaspoon (5ml) of oil through the spark plug hole. Pull the starting handle 2 or 3 times. This will distribute oil on the internal surfaces of the engine. Inspect, clean and replace the spark plug. If a new spark plug is required contact your local approved Service Centre/Dealer. **Do not re-connect the spark plug lead.**
9. Clean the air filter. See 'Cleaning the Air Filter'.
10. Renew the blade if it is cracked, damaged or bent. Renew the blade bolt if necessary. See 'Removing and Fitting the Blade and Fan' for complete instructions.
11. Use only genuine Flymo parts and accessories specified for this product.
12. Clean your lawnmower thoroughly. See 'Cleaning'.
13. Your local approved Service Centre/Dealer will carry out any service or repairs required.
14. Store your lawnmower in a cool, dry, damp-proof and safe place.

## Fault Finding

**Engine Will Not Start**

1. Ensure that the Operator Presence Control is gripped firmly to the upper handle.
2. Check that there is sufficient fuel in the fuel tank and the fuel tap is open
3. Check that the choke control lever is in the correct position:- 'Run' position (N) - for a hot engine, 'Choke' position (L) - for a cold engine.
4. The engine may have flooded. Remove and dry the spark plug.
5. Petrol may be stale, replace. Once the petrol has been replaced, it may take a little time for fresh petrol to filter through.
6. Check that the blade bolt is tight. A loose blade bolt could cause difficult starting.
7. If the engine will still not start - disconnect the spark plug lead and consult you local approved Service Centre/Dealer.

**Poor Flotation or Lack of Power**

1. Disconnect the spark plug lead.
2. Clean the underside of the hood, the air filter, the fan, around the engine and the air intakes.
3. Check that the engine choke control lever is in the 'Run' position. (N)
4. Petrol may be stale, replace. Once the petrol has been replaced, it may take a little time for fresh petrol to filter through.
5. If poor flotation or lack of power persists - disconnect the spark plug lead and consult your local approved Service Centre/Dealer.

**Excessive Vibration**

1. Disconnect the spark plug lead.
2. Check that the blade is correctly fitted. 'See 'Fitting and Removing the Blade and the Fan'.
3. If the blade is damaged or worn, renew the blade.
4. If vibration persists - do not use - disconnect the spark plug lead and consult your local approved Service Centre/Dealer.

## Replacement Parts

### Blade

Part no.: 5119004-00

## Guarantee and Guarantee Policy

If any part is found to be defective due to faulty manufacture within the guarantee period, Husqvarna UK Ltd., through its Authorised Service Repairers will effect the repair or replacement to the customer free of charge providing:

- (a) The fault is reported directly to the Authorised Repairer.
  - (b) Proof of purchase is provided.
  - (c) The fault is not caused by misuse, neglect or faulty adjustment by the user.
  - (d) The failure has not occurred through fair wear and tear.
  - (e) The machine has not been serviced or repaired, taken apart or tampered with by any person not authorised by Husqvarna UK Ltd..
  - (f) The machine has not been used for hire.
  - (g) The machine is owned by the original purchaser.
  - (h) The machine has not been used outside of the country for which it was specified.
  - (i) The machine has not been used commercially.
- \* This guarantee is additional to, and in no way diminishes the customers statutory rights.

Failures due to the following are not covered, therefore it is important that you read the instructions contained in this Operator's Manual and understand how to operate and maintain your machine:

### Failures not covered by guarantee

- \* Replacing worn or damaged blades
- \* Failures as a result of not reporting an initial fault.
- \* Failures as a result of sudden impact.
- \* Failures as a result of not using the product in accordance with the instructions and recommendations contained in this Operator's Manual.
- \* Machines used for hire are not covered by this guarantee.
- \* The following items listed are considered as wearing parts and their life is dependent on regular maintenance and are, therefore not normally subject to a valid warranty claim: Blades.
- \* **Caution!** Husqvarna UK Ltd. does not accept liability under the warranty for defects caused in whole or part, directly or indirectly by the fitting of replacement parts or additional parts that are not either manufactured or approved by Husqvarna UK Ltd., or by the machine having been modified in any way.

## Environmental Information

Husqvarna UK Ltd. are manufactured under an Environmental Management System (ISO 14001) using, where practical, components manufactured in the most environmentally responsible manner, according to company procedures, and with the potential for recycling at the end of the products' life.

- Packaging is recyclable and plastic components have been labelled (where practical) for categorised recycling.
- Awareness of the environment must be considered when disposing of 'end-of-life' product.
- If necessary, contact your local authority for disposal information.

### **DISPOSAL OF FUELS AND LUBRICATING OILS**

- Wear protective clothing when handling any fuels and lubricants.
- Avoid contact with skin.
- Remove petrol and engine oil before transporting the product.
- Contact your local authority for information of your nearest Recycling/Disposal Station.



**Do NOT dispose of used fuels/oils with household waste**



**Do NOT dispose of used fuels/oils to water.**



**Waste fuels/oils are harmful, but can be recycled and should be disposed of through the recognised facilities.**



**Do NOT incinerate**

# EC Declaration of Conformity

Husqvarna AB, 561 82 Huskvarna, Sweden

Declare under our sole responsibility that the product(s);

Category.....**Petrol Lawnmower**  
Type(s).....**GX560**  
Identification of Series.....**See Product Rating Label**  
Year of Construction.....**See Product Rating Label**

Conforms to the essential requirements & provisions of the following EC Directives:

**2006/42/EC, 2004/108/EC, 2000/14/EC**

based on the following EU harmonized standards applied:

**EN 836, EN55012**

The maximum A weighted sound pressure level  $L_{pA}$  at the operator's position, recorded on a sample of the above product(s) corresponds to the **Level** given in the table.

The maximum hand / arm vibration weighted value measured according to EN ISO 20643 on a sample of the above product(s) corresponds to the **Value a<sub>v</sub>** given in the table.

2000/14/EC: The Measured Sound Power  $L_{WA}$  & Guaranteed Sound Power  $L_{WA}$  values are according to the tabulated figures.

Conformity Assessment Procedure..... Annex VI

Notified Body..... Intertek, Cleeve Road  
Leatherhead, Surrey  
KT22 7SB, England

Newton Aycliffe 13/5/2011

M.Bowden

Global R&D Director - Walk behind

Keeper of technical documentation



Type	GX560
Width of Cut (cm)	50.5
Nominal Power kW	3.0
Speed of rotation of cutting device (rpm)	3100
Measured Sound Power $L_{WA}$ (dB(A))	96
Guaranteed Sound Power $L_{WA}$ (dB(A))	98
<b>Level</b> $L_{pA}$ (dB(A))	86.8
Uncertainty $K_{pA}$ (dB(A))	2.5
<b>Value a<sub>v</sub></b> (m/s <sup>2</sup> )	3.3
Uncertainty $K_{av}$ (m/s <sup>2</sup> )	1.5
Weight (Kg)	16/16.5

The power rating of the engine(s) indicated is the average net power output (at specified rpm) of a typical production engine for the engine model measured to SAE standard J1349 / ISO 1585. Mass production engines may differ from this value. Actual engine power for the engine installed in the final machine will depend on the operating speed, environmental conditions and other variables

# SICHERHEITSMABNAHMEN



Bei nicht ordnungsgemäßer Verwendung kann dieser Rasenmäher gefährlich sein! Dieser Rasenmäher kann den Bediener und andere schwer verletzen; die Warnhinweise und Sicherheitsvorschriften müssen unbedingt beachtet werden, damit eine angemessene Sicherheit und Leistung beim Gebrauch dieses Rasenmähers gewährleistet werden kann. Der Bediener ist dafür verantwortlich, die in dieser Betriebsanleitung und am Rasenmäher gegebenen Warn- und Sicherheitshinweise zu beachten.

## Erklärung der an der Maschine befindlichen Symbole



Achtung



Die Betriebsanleitung muß sorgfältig durchgelesen werden, um sicherstellen zu können, daß alle Steuerelemente und deren Funktion verstanden werden.



Der Rasenmäher muß während des Mähens immer auf dem Boden bleiben. Durch Kippen oder Anheben des Rasenmähers können Steine fortgeschleudert werden.



Es dürfen sich keine Personen in der Nähe befinden. Es darf nicht gemäht werden, wenn sich Personen, insbesondere Kinder, oder Haustiere im Mähbereich befinden.



Nehmen Sie sich davor in acht, daß der Rasenmäher nicht in Ihre Zehen oder Hände schneiden kann. Hände oder Füße dürfen sich nicht in der Nähe des rotierenden Messers befinden.



Die Zündkerzenzuleitung muß getrennt werden, bevor Wartungsarbeiten, Reinigungen oder Einstellungen ausgeführt werden oder der Rasenmäher unbeaufsichtigt bleibt.



Das Messer wird sich noch weiterdrehen, nachdem die Maschine ausgeschaltet wurde. Warten, sie bis alle Maschinenteile zum vollständigen Stillstand gekommen sind, bevor diese berührt werden.

Gemäß den Vorschriften zur Lärmverhütung Betrieb werktags nicht von 13.00 Uhr bis 15.00 Uhr und von 19.00 Uhr bis 7.00 Uhr und auch nicht an Sonn- und Feiertagen. Bitte beachten Sie außerdem mögliche zusätzliche örtliche Vorschriften.

## Allgemeines

1. Kinder oder Personen, die nicht mit der ordnungsgemäßen Benutzung dieses Rasenmähers vertraut sind, dürfen auf keinen Fall den Rasenmäher benutzen. Örtliche Vorschriften enthalten ggf. Altersbeschränkungen.
2. Das Gerät muss sofort ausgeschaltet werden, wenn sich Personen, insbesondere Kinder, oder Tiere in der Nähe befinden.
3. Den Rasenmäher nur in der in dieser Betriebsanleitung beschriebenen Art und Weise und nur für den vorgesehenen zweck verwenden.
4. Den Rasenmäher nie verwenden, wenn Sie müde oder krank sind oder unter dem Einfluß von Alkohol, Drogen oder Arzneimitteln stehen.
5. Der Bediener oder Benutzer ist für Unfälle anderer Personen, und für die Gefahr, die sie oder deren Eigentum ausgesetzt werden, verantwortlich.

## Angaben zur Sicherheit bei der Verwendung von Kraftstoff ACHTUNG - Benzin ist leicht entzündbar

- Beim Umgang mit Kraftstoffen und Schmiermitteln muß Schutzkleidung getragen werden.
- Hautkontakt vermeiden.
- Benzin und Motorenöl vor dem Transportieren des Produkts ablassen.
- Kraftstoff an einem kühlen Ort in einem Behälter, der speziell für diesen Zweck vorgesehen ist, aufbewahren. Im allgemeinen sind Plastikbehälter nicht geeignet.
- Nur draußen auftanken und während des Nachfüllens nicht rauchen.
- Kraftstoff einfüllen, **BEVOR** der Motor gestartet wird. Niemals den Einfüllverschluss entfernen oder Kraftstoff einfüllen, während der Motor läuft oder noch heiß ist.
- Falls Benzin verschüttet wird, darf der Motor nicht gestartet werden. Die Maschine muß vom Bereich, in dem das Benzin verschüttet wurde, entfernt werden; es muß darauf geachtet werden, daß keine Entflammungsmöglichkeit geschaffen wird, bis sich die Benzindämpfe vollständig aufgelöst haben.
- Alle Kraftstofftank- und Behälterdeckel wieder an ihrer korrekten Position anbringen.
- Den Rasenmäher vor dem Starten vom Bereich, an dem er aufgetankt wurde, entfernen.
- Kraftstoff muß an einem kühlen Ort, weg von offenen Flammen aufbewahrt werden.

## Vorbereitung

1. Bei Arbeiten mit Ihrem Gerät müssen Sie immer feste Schuhe und lange Hosen tragen. Das Gerät nicht in Betrieb nehmen, wenn Sie barfuß sind oder offene Sandalen tragen.
2. Es wird empfohlen, einen gehörschutz zu tragen.
3. Sicherstellen, daß keine Stecken, Steine, Knochen, Draht oder Schutt auf dem Rasen liegen; sie könnten durch das Messer fortgeschleudert werden.
4. Vor der Verwendung und nach Erhalt eines kräftigen Stoßes muss die Maschine auf Anzeichen eines Verschleißes oder einer Beschädigung überprüft und bei Bedarf die entsprechenden Reparaturarbeiten ausgeführt werden.
5. Abgenutzte oder beschädigte Messer müssen zusammen mit ihren Befestigungen als ganze Sätze ausgewechselt werden, um das Gleichgewicht beizubehalten.
6. Fehlerhafte Schalldämpfer austauschen lassen.

## Verwendung

1. Den Motor nicht in einem geschlossenen Bereich laufen lassen, wo sich Abgase (Kohlenmonoxid) ansammeln können.
2. Den Rasenmäher nur bei Tageslicht oder guter künstlicher Beleuchtung verwenden.
3. Rasenmäher sollten, wenn möglich, nicht in nassem Gras verwendet werden.
4. In nassem Gras ist Vorsicht geboten, da Sie leicht Ihren Halt verlieren können.
5. An Hängen muß sichergestellt werden, daß Sie einen sicheren Halt haben und rutschfeste Schuhe tragen.
6. Hänge nie von oben nach unten, sondern immer quer zum Hang mähen.
7. Seien Sie besonders vorsichtig, wenn Sie die Richtung am Hang ändern.
8. Das Mähen an Bänken und Hängen kann gefährlich sein. Nicht an **Bänken** oder **steilen** Hängen mähen.
9. Beim Mähen nicht rückwärtsgehen, da Sie stolpern könnten. Beim Mähen nur gehen, niemals laufen.
10. Beim Mähen den Rasenmäher nie in Ihre Richtung ziehen.
11. Den Motor ausschalten, bevor er über andere Oberflächen als Gras geschoben oder zu und vom zu mähenden Bereich transportiert wird.
12. Den Rasenmäher niemals mit beschädigten oder nicht angebrachten Schutzvorrichtungen verwenden.
13. Den Motor nicht überdrehen oder die Reglereinstellungen ändern. Eine übermäßige Geschwindigkeit ist gefährlich und reduziert die Benutzungsdauer des Rasenmähers.
14. Vor dem Starten alle Messer- und Antriebskupplungen lösen.
15. Niemals Hände oder Füße in die Nähe der Schneidvorrichtung bringen, insbesondere beim Einschalten des Motors.
16. Das Gerät nicht bei laufendem Motor kippen, außer bei der Inbetriebnahme und beim Ausschalten. In diesen beiden Fällen den Rasenmäher nicht höher als erforderlich kippen und nur den vom Bediener weg weisenden Teil des Geräts anheben.
17. Einen Rasenmäher niemals anheben oder tragen, wenn der Motor noch läuft.
18. Die Zündkerzenzuleitung kann heiß sein - deshalb ist beim Umgang damit Vorsicht geboten.
19. Es dürfen keine Wartungsarbeiten an Ihrem Rasenmäher ausgeführt werden, solange der Motor noch heiß ist.
20. Den Motor ausschalten und warten, bis das Messer zum vollständigen Stillstand gekommen ist:
  - bevor der Rasenmäher unbeaufsichtigt bleibt.
21. Den Motorbremsbügel zum Stoppen des Motors loslassen. Warten, bis das Messer zum vollständigen Stillstand gekommen ist, die Zündkerzenzuleitung trennen und warten, bis der Motor abgekühlt ist:
  - bevor Benzin nachgefüllt wird;
  - bevor eine Blockierung entfernt wird;
  - bevor der Rasenmäher überprüft oder gereinigt wird oder Arbeiten daran ausgeführt werden;
  - wenn Sie einen Gegenstand treffen. Der Rasenmäher darf erst dann wieder verwendet werden, wenn absolut sichergestellt wurde, daß sich der gesamte Rasenmäher in einem sicheren Betriebszustand befindet;
  - wenn der Rasenmäher anfängt, ungewöhnlich stark zu vibrieren. In diesem Falle muß er sofort überprüft werden. Ein übermäßiges Vibrieren kann Verletzungen verursachen.

## SICHERHEITSMABNAHMEN

### Wartung und Lagerung

1. Vorsicht: Die Drehklinge(n) nicht berühren!
2. Alle Muttern, Bolzen und Schrauben müssen fest angezogen sein, damit ein sicherer Betriebszustand des Rasenmähers gewährleistet ist.
3. Abgenutzte oder beschädigte Teile müssen für einen sicheren Zustand ausgewechselt werden.
4. Nur für dieses Produkt spezifizierte Messer, Messerbefestigungsschrauben, Distanzscheiben und Gebläserad beim Auswechseln verwenden.
5. Den Rasenmäher niemals mit Kraftstoff im Tank in einem

- Gebäude abstellen, wo Dämpfe eine offene Flamme oder einen Funken erreichen können.
6. Der Motor muß zuerst abgekühlt sein, bevor der Rasenmäher in einen geschlossenen Bereich gestellt wird.
  7. Um die Brandgefahr zu reduzieren, müssen Motor, Schalldämpfer, Gehäuse und Kraftstoffaufbewahrungsbereich frei von Gras, Blättern oder übermäßig viel Schmierfett gehalten werden.
  8. Falls der Kraftstofftank entleert werden muß, sollte dies draußen geschehen.
  9. An einem kühlen, trockenen Ort, außerhalb der Reichweite von Kindern aufbewahren. Nicht im Freien aufbewahren.

## Montage (ohne Räder)

### Montage des unteren Griffbügels an den Rasenmäher

1. Führen Sie den Haken (A2) am unteren Griff (A1) halb durch den Mittelschlitz der Führung (A3) in der vom Pfeil (A4) angegebenen Richtung.
2. Halten Sie den Haken (A2) im Mittelschlitz der Führung (A3), drehen Sie den unteren Griff (A1) im Uhrzeigersinn um 90°, so daß sich die beiden Füße des unteren Griffs in Position zwischen der Haubenhalterung (A5) befinden.
3. Stifte (B1) einsetzen und mit Befestigungsklammern (B2) sichern.

### Montage des oberen Griffs an den unteren Griff VOR Montage des oberen Griffs an den unteren Griff unteren Griff durch Heben des Einhängehakens (C1) in Parkstellung (C2) stabilisieren.

1. Es muss sichergestellt werden, dass sich der Choke-Schalthebel von hinten gesehen auf der linken Seite befindet.
2. Den unteren und oberen Griffbügel zueinander ausrichten (siehe Bild D). Die Schrauben (D1) und die Scheiben (D2) montieren und mit Schraubknöpfen (D3) festziehen.
3. Die Kabel mit den gelieferten Kabelbändern an den Griffen befestigen. Dabei muß sichergestellt werden, daß die Kabel nicht zwischen den oberen und unteren Griffen eingeklemmt werden.

## Montage (mit Räder)

1. Den unteren Griff (E1) mit Hilfe des Stifts (E2) an der Haube befestigen (siehe Abb. E).
2. Die Räder (F1) mit den Radhalteklammern (F3) am Radgestell (F2) befestigen (siehe Abb. F).
3. Das Radgestell (G1) mit dem unteren Griffbolzen (G2), der kleinen Unterlegscheibe (G3), der großen Unterlegscheibe (G4) und der Sicherungsmutter (G5)

- an der Haube installieren (siehe Abb. G).
4. Die unteren Teleskoprohre (H1) in die oberen Teleskoprohre (H2) schieben und mit dem Stift (H3) und der Halteklammer (H4) sichern (siehe Abb. H).

Den oberen Griff am unteren Griff anbringen und dabei die oben unter 'Montage (ohne Räder)' angegebenen Anweisungen befolgen.

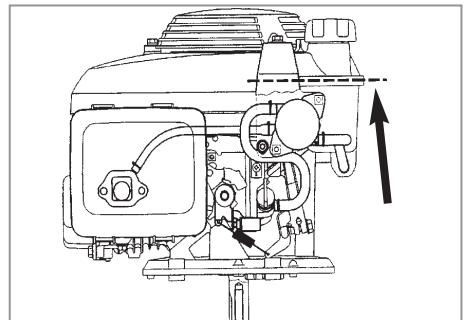
## Position des Griffes

Die Position des Griffes kann unter Verwendung der Führungs- und Einhängereinheit eingestellt werden. Zur Einstellung der Griffposition

1. Einhängehaken heben (C1)
2. In die gewünschte Stellung bringen: (C2) Parkstellung, (C3) Mähstellung

## Kraftstoff

Frisches, sauberes, bleifreies Normalbenzin verwenden. Den Kraftstofftank nicht in einem geschlossenen Bereich, bei heißem Motor, während geraucht wird oder in der Nähe einer nackten Flamme füllen. Vor dem Füllen muss der Bereich um den Einfüllverschluss gründlich gesäubert werden, damit verhindert werden kann, dass Schmutz in das Kraftstoffsystem gelangt. Den Kraftstoff an einem kühlen Ort, weg von nackten Flammen, aufbewahren. Den Tank nicht füllen, während der Motor läuft. Den Kraftstofftank mit Hilfe eines Trichters, in den ein feiner Filter installiert ist, füllen. Den Kraftstofftank niemals bis zum Rand, sondern nur bis zum Boden des Tankeinfüllstutzens füllen. Wenn der Kraftstofftank leer war oder der Motor davor trocken gelaufen ist, muss mindestens 400cc Kraftstoff eingefüllt werden (bis zur in der Abbildung angegebenen Linie). Dadurch wird ein ausreichendes Füllen der Kraftstoffpumpe zum Starten des Motors sichergestellt. Der Vergaser ist voreingestellt, und normalerweise ist keine Nachstellung erforderlich.



## Öl

Waschaktives Viertakt-Kraftfahrzeugöl verwenden; es wird SAE 10W-30 für allgemeine Zwecke empfohlen.

Das Öl gemäß den in Ihrem Benutzerhandbuch angegebenen Anweisungen einfüllen.

## Starten und Stoppen

### Anlassen Ihres Rasenmähers

1. Den Griffbügel in die Parkstellung (C2) schwenken.
2. Den Zündkerzenstecker aufstecken. (J)
3. Den Kraftstoffhahn (K) öffnen.
4. Den Choke-Schalthebel bei einem Kaltstart in die 'Choke'-Position (L) und bei einem Warmstart in die 'Normal'-Position (N) bringen.
5. Den Bedienerhebel zum oberen Griff ziehen und festhalten.
6. Setzen Sie Ihren rechten Fuß fest auf das Gestell auf und ergreifen Sie das obere Ende des unteren Bügels mit Ihrer linken Hand. Kippen Sie den Trimmer in Ihre Richtung. (M) Damit wird eine sichere Stellung des Gerätes beim Anlassen gewährleistet und auch verhindert, dass ein hässlicher Ring in Ihren Rasen geschnitten wird.
7. Den Anlasser gleichmäßig bis zum einem fühlbaren Widerstand anziehen und danach langsam wieder zurücklassen.

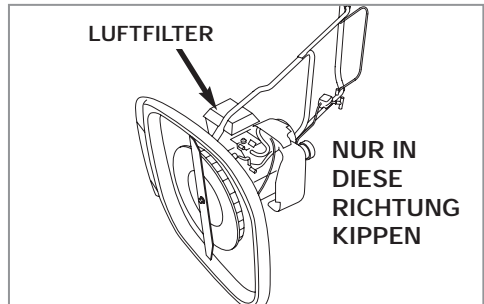
8. Den Anlassergriff fest bis zur vollen Länge zu sich hinziehen.
9. Abwarten, bis der Motor seine volle Drehzahl erreicht hat. Dann den Rasenmäher in die gerade Stellung auf den Boden ablassen.
10. Wenn der Motor warm ist, daran denken, den Regelhebel in die 'normal'-Stellung (N) zu schieben.

### Anhalten des Rasenmähers

- Nach dem Abschalten der Maschine rotiert der Messerbalken noch weiter - Vorsicht, Verletzungsgefahr.
1. Den Bedienerhebel loslassen.
  2. Bei abwürgendem Motor Rasenmäher geringfügig kippen. Dadurch wird verhindert, daß ein Ring in Ihren Rasen geschnitten wird.
  3. Sobald der Motor steht, den Rasenmäher gerade auf dem Boden abstellen.
  4. Den Griffbügel in die Parkstellung (C2) schwenken.
  5. Den Kraftstoffhahn (K) schließen.

## WICHTIG

Bevor die Unterseite des Rasenmähers berührt werden darf, muss der Kraftstoffhahn geschlossen, gewartet werden, bis der Motor zum vollständigen Stillstand gekommen ist, die Zündkerzenzuleitung getrennt und DER RASENMÄHER AUF DIE SEITE GEKIPPT WERDEN, WOBEI SICH DER LUFTFILTER OBEN BEFINDEN MUSS.



## Anleitung zum Rasenmähen

- Vor dem Befestigen ist stets zu prüfen, ob Messerbalken oder Schraube sichtbare Verschleißstellen oder Schäden aufweisen.
1. Den Griff in die Mähposition (C3) bringen.
  2. Während der Wachstumsperiode zweimal pro Woche mähen. Ihr Rasen leidet, wenn mehr als ein Drittel der Halmlänge auf einmal geschnitten wird.
  - Es ist darauf zu achten, daß sich Hände und Füße nicht in der Nähe des Messerbalkens befinden - ein rotierender Messerbalken ist nicht sichtbar.
- Das Mähen an Böschungen und Hängen kann gefährlich sein. Beim Mähen nicht an steilen Hängen stehen.
  - Es muss darauf geachtet werden, dass Sie auf flachem Boden stehen und sich der Rasenmäher unter Ihnen am Hang befindet. Überdies muss die Zündkerze oben liegen, damit kein Schmieröl in den Zylinder laufen kann.
  - Den Rasenmäher nicht an nassen oder zu steilen Hängen (mit einem Gefälle von mehr als 45%) verwenden.
  - Den Rasenmäher niemals den Hang hinaufschieben.

## Einstellung der Schnitthöhe

- Zum Verstellen der Schnitthöhe sollten nicht mehr als 2 Distanzscheiben verwendet werden.
  - Die Abstandsscheiben dürfen nur zwischen dem Messerbalken und dem Turbinenrad eingefügt werden und nicht zwischen dem Messerbalken und der Schraube. (P)
1. Darauf achten, daß der Bedienerhebel losgelassen wurde. Das Zündkerzenkabel abziehen, wenn der Motor stillsteht.
  2. Den Kraftstoffhahn (K) schließen. Den Rasenmäher auf die Seite legen.
  3. Die Messerbefestigungsschraube (P1) und das Messer (P2) gemäß dem Abschnitt 'Messer und Gebläse ausbauen' entfernen.
  4. Kurzer Schnitt: bis zu 2 Distanzscheiben (P3) einsetzen.
  5. Langer Schnitt: Distanzscheiben (P3) entfernen.
  6. Das Messer gemäß dem Abschnitt 'Messer und Gebläse einbauen' wieder installieren.

## Entfernen und Befestigen von Messerbalken und Turbinenrad

Gehen Sie stets vorsichtig mit dem Messerbalken um, da die scharfen Kanten Verletzungen verursachen können. **HANDSCHUHE VERWENDEN**  
Vorsicht - das Zündkerzenkabel ist möglicherweise warm.

### Entfernen von Messerbalken und Turbinenrad

- Der Metallmesserbalken sollte unabhängig von seinem Zustand nach 50 Betriebsstunden bzw. nach 2 Jahren ausgetauscht werden - je nachdem, was zuerst eintrifft.
  - Der Messerbalken ist auszutauschen, wenn er einen Riß oder Schaden aufweist.
1. Darauf achten, daß der Bedienerhebel losgelassen wurde. Das Zündkerzenkabel abziehen, wenn der

Motor stillsteht und der Messerbalken nicht mehr rotiert.

2. Den Kraftstoffhahn (K) vollständig schließen.
3. Den Rasenmäher auf die Seite kippen, wobei sich der Luftfilter oben befinden muss (siehe Abbildung oben).
4. Beim Entfernen der Messerbalken-Gewindeschraube (P1) das Turbinenrad (P4) festhalten. Die Messerbalken-Gewindeschraube mit dem beiliegenden Schraubenschlüssel nach links drehen und lösen.
5. Messerbalken-Gewindeschraube (P1), Messerbalken (P2), Distanzscheiben (P3) und Turbinenrad entfernen (P4).
6. Die Teile auf Schäden hin prüfen und bei Bedarf reinigen.



## Befestigen von Messerbalken und Turbinenrad

- Vor dem Befestigen ist stets zu prüfen, ob Messerbalken oder Schraube sichtbare Verschleißstellen oder Schäden aufweisen.
  - Zum Verstellen der Schnitthöhe sollten nicht mehr als 2 Distanzscheiben verwendet werden.
  - Die Distanzscheiben dürfen nur zwischen dem Messerbalken und dem Turbinenrad eingefügt werden und nicht zwischen dem Messerbalken und der Gewindeschraube.
1. Sicherstellen, daß sich das Turbinenrad in der korrekten Position befindet.
  2. Die Distanzscheiben (P3) auf das Turbinenrad legen

- und darauf achten, daß die Bolzen (P5) in den Löchern (P6) eingefügt sind.
3. Den Messerbalken (P2) auf die Distanzscheiben (P3) legen und sicherstellen, daß die stollen (P7) in den Löchern (P8) des Messerbalkens eingefügt sind und daß sich der Messerbalken in der in **Abbildung P** dargestellten Position befindet.
  4. Die Messerbalken-Gewindeschraube (P1) in das Loch in der Mitte (P9) des Messerbalkens einfügen.
  5. Die Schraube mit der Hand nach rechts drehen.
  6. Das Turbinenrad festhalten und die Messerbalken-Gewindeschraube mit dem beiliegenden Schraubenschlüssel festziehen.

## Zündkerze

Durch eine schmierige oder geschwärzte Zündkerze wird das Starten erschwert und das Leistungsvermögen des Motors reduziert. Deshalb muss die Zündkerze regelmäßig ausgebaut und je nach Bedarf gesäubert und nachgestellt werden.

Korrekte Abstandseinstellung: 0,028 - 0,031 Zoll.  
Die Zündkerze darf nicht entfernt werden, während der Motor noch warm ist. Zur Säuberung der Zündkerze kein Sandstrahlverfahren verwenden.

## Reinigung des Luftfilters

Q1 – Luftkanal, Q2 – Luftfiltergehäuse, Q3 – Filter, Q4 – Schnappverschlüsse, Q5 – Luftfilterabdeckung  
Den Motor niemals ohne Filter oder mit einem schmutzigen Filter laufen lassen, da dadurch das Leistungsvermögen des Motors beträchtlich reduziert und der Motor beschädigt wird. Ihr Rasenmäher ist mit einem Luftfilter versehen. Dieser muss wie folgt gewartet werden:

- Den Filter vor jeder Verwendung überprüfen.
  - Den Filter alle 25 Stunden, oder bei der Verwendung in staubigen Bereichen auch häufiger, reinigen.
  - Den Filter nach jeweils 200 Stunden auswechseln.
1. Die Schnappverschlüsse oben an der Luftfilterabdeckung drücken und die Abdeckung entfernen.

2. Überprüfen, ob der Filter sauber und in gutem Zustand ist.

### Bei schmutzigem Filter:

- Den Luftfilter zur Schmutzentfernung mehrmals gegen eine harte Oberfläche klopfen oder Druckluft durch den Luftfilter von der sauberen Seite, die in Richtung Motor zeigt, blasen. Schmutz niemals mit einer Bürste entfernen, da dieser dadurch nur in die Fasern gedrückt wird.
3. Schmutz vom Luftfiltergehäuse und der Abdeckung mit einem feuchten Tuch abwischen. Es muss darauf geachtet werden, dass Schmutz nicht in den zum Vergaser führenden Luftkanal gelangt.
  4. Filter und Abdeckung wieder anbringen.

## Rasenmäherpflege

Beabsichtigen Sie, Ihren Rasenmäher für längere Zeit nicht zu benutzen, so ist es ratsam, die folgende Vorgehensweise nach der letzten Benutzung zu beachten:

1. Motor stoppen.
2. Den Kraftstoffhahn (K) vollständig schließen.
3. Motor neu starten.
4. Wenn der Kraftstofftank leer wird, wird der Motor langsam zum Stillstand kommen. Den Rasenmäher leicht kippen.
5. Wenn der Motor steht, den Bedienerhebel loslassen.
6. Den Zündkerzenstecker abziehen.
7. Den Kraftstofftank entleeren.

### Reinigen - HANDSCHUHE VERWENDEN

- Halten Sie den Rasenmäher sauber - abgeschnittene Grashalme, die sich im Ansaugstutzen, im Motorbereich oder unter dem Gehäuse befinden, stellen eine potentielle Feuergefahr dar.
  - Der Rasenmäher sollte nicht mit Chemikalien, einschließlich Benzin oder Lösungsmittel, gereinigt werden - diese können wichtige Kunststoffteile zerstören.
1. Gras, das sich unten an der Unterseite befindet, kann mit einem Stück Holz o.ä. entfernt werden, kein Metall verwenden.
  2. Grashalme, die sich im Motorbereich und an den Ansaugstutzen befinden, sind mit einer weichen Bürste zu entfernen.
  3. Das Turbinenrad entfernen - siehe Abschnitt 'Entfernen und Befestigen von Messerbalken und Turbinenrad' - und mit einer weichen Bürste reinigen.
  4. Die Oberfläche des Rasenmähers mit einem trockenen Tuch abwischen.

### Transportieren Ihres Rasenmähers

- Den Kraftstoffhahn schließen und den Rasenmäher so transportieren, dass sich der Motor in horizontaler Lage befindet.
- Den Rasenmäher niemals mit laufendem Motor transportieren.

### Lagerung Ihres Rasenmähers

Den Kraftstoffhahn schließen und den Rasenmäher an einem kühlen, trockenen, sicheren und vor Nässe geschützten Ort aufbewahren, wobei sich der Motor in horizontaler Lage befinden muss.

### BEVOR Wartungsarbeiten durchgeführt oder

1. Motor stoppen.
2. Den Kraftstoffhahn (K) vollständig schließen.
3. Motor neu starten.
4. Wenn der Kraftstofftank leer wird, wird der Motor langsam zum Stillstand kommen. Den Rasenmäher leicht kippen.
5. Wenn der Motor steht, den Bedienerhebel loslassen.
6. Den Zündkerzenstecker abziehen.
7. Den Kraftstofftank entleeren.
8. Zündkerzenkabel und Zündkerze entfernen. Einen Teelöffel (5 ml) Öl durch die Zündkerzen-Einschrauböffnung gießen. Den Starterzuggriff zwei- bis dreimal ziehen. Hierdurch wird auf den Innenflächen des Motors Öl verteilt. Die Zündkerze prüfen, reinigen und wieder einsetzen. Ist ein Austausch der Zündkerze erforderlich, sollte ein zugelassenes Service Center- aufgesucht werden. Das Zündkerzenkabel nicht wieder anschließen.
9. Den Luftfilter reinigen. Siehe Abschnitt 'Luftfilterreinigung'.
10. Den Messerbalken austauschen, sofern er gerissen, beschädigt oder gebogen ist. Bei Bedarf die Messerbalken-Gewindeschraube auswechseln. Die vollständige Anleitung ist dem Abschnitt 'Entfernen und Befestigen von Messerbalken und Turbinenrad' zu entnehmen.
11. Es sind ausschließlich die für dieses Produkt angegebenen Original-Ersatzteile und -zubehörteile von Flymo zu verwenden.
12. Den Rasenmäher gründlich reinigen - Siehe Abschnitt 'Reinigen'.
13. Bei Bedarf können Wartungsarbeiten und müssen Reparaturen von einem zugelassenen -Kundendienst- oder Service Center -durchgeführt werden.
14. Den Rasenmäher an einem kühlen, trockenen, feuchtigkeitsarmen und sicheren Ort aufbewahren.

## Hinweise zur Fehlersuche

### Motor springt nicht an

1. Sicherstellen, daß der Bedienerhebel fest am oberen Griff gehalten wird.
2. Es muss sichergestellt werden, dass sich genügend Kraftstoff im Tank befindet und der Kraftstoffhahn offen ist.
3. Der Choke-Schalthebel muss sich in der korrekten Position - in der 'Normal'-Position (N) bei warmem Motor und in der 'Choke'-Position (L) bei kaltem Motor - befinden.
4. Der Motor könnte zuviel Kraftstoff erhalten haben. Die Zündkerze herausdrehen und troeknen.
5. Die Kraftstoffmischung könnte falsch oder zu alt sein.
6. Prüfen, ob das Messer und die Befestigungsschraube fest sitzen. Eine lose Messerschraube kann Startschwierigkeiten verursachen.
7. Wenn der Motor immer noch nicht startet, ziehen Sie den Zündkerzenstecker ab und wenden Sie sich an Ihr autorisiertes örtliches Service Center.

### Schlechte Kraftstoffzufuhr oder schwache Leistung

1. Den Zündkerzenstecker abziehen.

2. Die Gehäuseunterseite, das Luftfilter, das Turbinenrad, um den Motor herum und die Lüfteinlaßöffnungen reinigen.
3. Es muss sichergestellt werden, dass der Choke-Schalthebel auf 'Normal' (N) eingestellt ist.
4. Die Kraftstoffmischung könnte falsch oder zu alt sein. Ist das der Fall, so muß sie erneuert werden.
5. Falls der schlechte Schwebezustand oder ungenügende Leistung weiterhin bestehen, ziehen Sie den Zündkerzenstecker ab und wenden Sie sich an Ihr autorisiertes örtliches Service Center.

### Zu starke Vibration

1. Den Zündkerzenstecker abziehen.
2. Prüfen, ob das Messer richtig montiert ist. Siehe 'Aus- und einbau des Messers und Lüfterrads'.
3. Ist das Messer beschädigt oder verschlissen, muß es erneuert werden.
4. Besteht die Vibration weiterhin, den Rasenmäher nicht benutzen. Ziehen Sie den Zündkerzenstecker ab und wenden Sie sich an Ihr autorisiertes örtliches Service Center.

## Ersatzteile

### Sägeblatt

Teilenummer.: 5119004-00

## Garantie & Garantiepolice

Falls sich ein Teil aufgrund eines Herstellungsfehlers innerhalb der Garantiezeit als defekt herausstellen sollte, wird Husqvarna UK Ltd. über seine autorisierten Wartungstechniker kostenlos Reparaturarbeiten ausführen oder Teile auswechseln lassen. Dies gilt unter folgenden Voraussetzungen:

- a) Der Fehler wird direkt dem autorisierten service center gemeldet.
- b) Ein Kaufnachweis kann vorgelegt werden.
- c) Der Fehler läßt sich nicht auf einen Mißbrauch, eine Vernachlässigung oder eine falsche Einstellung durch den Benutzer zurückführen.
- d) Der Fehler läßt sich nicht auf normale Abnutzung zurückführen.
- e) Die Maschine wurde nicht von einer von Husqvarna UK Ltd. nicht autorisierten Person gewartet oder repariert, auseinandergenommen oder daran herumgebastelt.
- f) Die Maschine wurde nicht vermietet.
- g) Die Maschine ist noch Eigentum des ursprünglichen Käufers.
- h) Die Maschine wurde nicht kommerziell verwendet.

\* Diese Garantie stellt eine Ergänzung der gesetzlichen Rechten des Kunden dar und schränkt diese auf keine Weise ein.

Nachfolgend wird aufgelistet, was nicht unter Garantie fällt oder

wodurch die Garantie ungültig wird. Deshalb ist es unbedingt erforderlich, die in der Bedienungsanleitung angegebenen Anweisungen sorgfältig durchzulesen und genau zu verstehen, wie die Maschine betrieben und gewartet wird:

### Fehler, die nicht von der Garantie gedeckt sind:

- \* Fehler, die dadurch entstanden sind, daß ein anfänglicher Defekt nicht sofort gemeldet wurde.
- \* Fehler, die durch einen plötzlichen Stoß entstanden sind.
- \* Störungen aufgrund eines unsachgemäßen Gebrauchs der Maschine und Nichtbeachtung der in der Bedienungsanleitung angegebenen Anweisungen und Empfehlungen.
- \* Maschinen, die vermietet werden, werden von dieser Garantie nicht gedeckt.
- \* Folgende Teile werden als Verschleißteile angesehen, deren Nutzungsdauer von einer regelmäßigen Wartung abhängt. Diese Teile fallen normalerweise nicht unter die Garantie: Messer
- \* **Vorsicht!**  
Alle Garantieansprüche entfallen, wenn Fehler ganz oder teilweise, direkt oder indirekt durch den Einbau von Ersatzteilen oder zusätzlichen Teilen verursacht wurden, die nicht von Husqvarna UK Ltd. hergestellt oder zugelassen wurden. Dasselbe trifft für modifizierte Maschinen zu.

## Umweltinformation

Husqvarna UK Ltd. stellt Produkte unter einem Umweltmanagementsystem (ISO 14001) her. Hierbei werden Fertigungsverfahren angewandt, welche es ermöglichen, Teile auf eine umweltfreundliche Weise (soweit dies durchführbar ist) und unter der Berücksichtigung der Wiederverwertung am Ende ihrer Nutzungsdauer, herzustellen.

- Die Verpackung kann wiederverwertet werden. Kunststoffteile wurden (wo durchführbar) für eine nach Kategorien geordnete Wiederverwertung gekennzeichnet.
- Beim Entsorgen von nicht mehr zu gebrauchenden Produkten muß die Umwelt berücksichtigt werden.
- Falls erforderlich, setzen Sie sich bitte mit Ihrer örtlichen Behörde in Verbindung. Diese kann Ihnen Einzelheiten zur Entsorgung mitteilen.

### KRAFTSTOFF- UND SCHMIERÖLNTSORGUNG

- Beim Umgang mit Kraftstoffen und Schmiermitteln muß Schutzkleidung getragen werden.
- Hautkontakt vermeiden.
- Benzin und Motorenöl vor dem Transportieren des Produkts ablassen.
- Setzen Sie sich bitte mit Ihrer örtlichen Behörde in Verbindung, die Ihnen Einzelheiten über die nächstgelegene Recycling-/Entsorgungsstation geben kann.



Verwendete Kraftstoffe/Öle dürfen NICHT mit dem Hausmüll entsorgt werden.



Verwendete Kraftstoffe/Öle sind umweltschädigend, sie können jedoch wiederverwertet werden und sollten deshalb über eine zugelassene Einrichtung entsorgt werden.



Verwendete Kraftstoffe/Öle dürfen NICHT in Gewässer abgeleitet werden.



Nicht verbrennen

# EC KONFORMITÄTSERKLÄRUNG

Husqvarna AB, 561 82, Huskvarna, Sweden

erklären in alleiniger Verantwortung, dass das Produkt bzw. die Produkte

Kategorie.....**Benzin-Rasenmäher**

Typ.....**GX560**

Identifizierung der reihe.....**Siehe Typenschild**

Baujahr.....**Siehe Typenschild**

die maßgeblichen Anforderungen und Bestimmungen der folgenden EU-Richtlinien erfüllt/erfüllen:

**2006/42/EC, 2004/108/EC, 2000/14/EC**

beruhend auf den folgenden in der EU harmonisierten, anwendbaren Standards:

**EN 836, EN55012**

Der maximale A-Schalldruckpegel  $L_{pA}$  an der Bedienerposition, aufgezeichnet an einem Muster des/der obigen Produkts/Produkte, entspricht der in der Tabelle angegebenen **Stufe**.

Der maximale Vibrationswert an Hand/Arm, gemessen nach EN ISO 20643 an einem Muster des/der obigen Produkts/Produkte, entspricht dem in der Tabelle angegebenen **Wert  $a_h$** .

2000/14/EU: Die Werte der gemessenen Geräuschemission  $L_{WA}$  und der garantierten Geräuschemission  $L_{WA}$  entsprechen den Tabellenwerten.

Konformitätsbewertungsverfahren.....

Annex VI  
Intertek, Cleeve Road  
Leatherhead, Surrey  
KT22 7SB, England

Prüfbehörde.....

Newton Aycliffe 13/5/2011

M.Bowden

Global R&D Director – Schiebeversion

Inhaber der technischen Unterlagen



<b>Typ</b>	<b>GX560</b>
Schnittbreite (cm)	50.5
Umdrehungsgeschwindigkeit des Schneidwerks (rpm)	3100
Nennleistung (kW)	3.0
Gemessene Geräuschemission $L_{WA}$ (dB(A))	96
Garantierte Geräuschemission $L_{WA}$ (dB(A))	98
<b>Höhe <math>L_{pA}</math> (dB(A))</b>	<b>86.8</b>
Ungewissheit $K_{pA}$ (dB(A))	2.5
<b>Wert <math>a_h</math> (m/s<sup>2</sup>)</b>	<b>3.3</b>
Unsicherheit $K_{ah}$ (m/s <sup>2</sup> )	1.5
Gewicht (Kg)	16.5

Die angegebene Nennleistung des Motors / der Motoren ist die durchschnittliche Netto-Ausgangsleistung (bei einer bestimmten Drehzahl) eines typischen Produktionsmotors für das betreffende Motorenmodell, gemessen nach SAE-Standard J1349 / ISO 1585. Es ist möglich, dass in Massenproduktion hergestellte Motoren von diesem Wert abweichen. Die eigentliche Motorleistung des im Endprodukt installierten Motors ist von der Betriebsgeschwindigkeit, den Umweltbedingungen und anderen Variablen abhängig.

# PRECAUTIONS A PRENDRE



Cette tondeuse à gazon peut être dangereuse si elle n'est pas utilisée correctement. Une mauvaise utilisation peut occasionner des blessures pour l'utilisateur et les tiers. Veuillez respecter les avertissements et les instructions de sécurité pour assurer le rendement et la sécurité de la tondeuse. Il incombe à l'utilisateur de respecter les avertissements et les instructions de sécurité figurant dans le présent manuel et sur la tondeuse.

## Explication des symboles de votre produit



Avertissement



Lire attentivement le mode d'emploi pour vous assurer de bien comprendre toutes les commandes et leur utilisation.



Maintenir toujours la tondeuse au sol en tondant. Si vous levez ou vous inclinez la tondeuse, des pierres risquent d'être projetées.



Eloigner les tiers. Ne pas tondre lorsque des personnes, en particulier des enfants, ou des animaux se trouvent sur la pelouse.



Attention aux mains et aux doigts de pieds. Ne pas approcher les mains ou les pieds des lames en rotation.



Déconnecter la bougie avant toute intervention de maintenance, de réglage, ou si vous laissez la tondeuse sans surveillance pendant un moment.



Après l'arrêt de la tondeuse, attendez l'arrêt complet des organes mécaniques en mouvement avant de les toucher.

## Généralités

1. Ne jamais permettre aux enfants ou aux personnes ne connaissant pas les présentes instructions de se servir de la tondeuse. Les réglementations locales peuvent imposer une limite d'âge pour l'utilisation des tondeuses.
2. Arrêter l'appareil quand des personnes, en particulier des enfants, ou animaux de compagnie sont à proximité.
3. Utiliser la tondeuse uniquement pour l'usage et de la façon décrits dans les présentes instructions.
4. Ne jamais faire fonctionner la tondeuse si vous êtes fatigué/e, malade ou sous l'influence de l'alcool, de drogues ou de médicaments.
5. L'opérateur ou l'utilisateur est responsable des accidents pouvant survenir aux tiers et des dommages causés à leurs biens.

## CARBURANT : MESURES DE SECURITE

### ATTENTION - Le carburant est extrêmement inflammable.

- Porter des vêtements de protection lors de toute manipulation des combustibles et lubrifiants.
  - Eviter le contact avec la peau.
  - Vider le carburant et les lubrifiants avant le transport.
  - Stocker le carburant dans un endroit frais, dans un conteneur spécialement conçu à cet effet. En général, les conteneurs en plastique ne conviennent pas.
  - Remplir le réservoir en plein air uniquement, et ne pas fumer lors du remplissage.
  - Remplir le réservoir AVANT de démarrer le moteur. Ne jamais retirer le bouchon du réservoir, ni rajouter du carburant, pendant que le moteur tourne ou tant qu'il est chaud.
  - Si du carburant est renversé sur le sol, ne pas démarrer le moteur mais éloigner la tondeuse de la inondée et éviter de créer toute source d'ignition jusqu'à ce que les vapeurs d'essence soient dissipées.
  - Bien refermer tous les bouchons de réservoir et de conteneur.
  - Avant de démarrer le moteur, éloigner la tondeuse de l'endroit où le réservoir a été rempli.
- Le combustible doit être conservé dans un endroit frais, loin de toutes flammes nues.

## Préparation

1. Toujours porter des chaussures robustes et des pantalons en utilisant cet outil. Ne pas faire fonctionner l'équipement quand vous êtes pieds nus ou portez des sandales ouvertes.
2. L'utilisation de protège-tympan est recommandée
3. Vérifier que la pelouse est libre de tous morceaux de bois, pierres, os, bouts de fil de fer et débris, qui risqueraient d'être projetés par la lame.
4. Avant de mettre l'appareil en marche et après tout choc, vérifier qu'il ne présente aucun signe d'usure ou de dommage, et le réparer si nécessaire.
5. Remplacer les lames usées ou endommagées en même temps que leur système de fixation afin de maintenir le bon équilibrage des lames.
6. Faire remplacer les silencieux défectueux.

## Fonctionnement

1. Ne pas faire fonctionner le moteur dans un endroit fermé où les gaz d'échappement toxiques (monoxyde de carbone) risquent de s'accumuler.
2. N'utiliser la tondeuse qu'à la lumière du jour ou sous un bon éclairage artificiel.
3. Dans la mesure du possible, éviter de tondre de l'herbe mouillée.
4. Prendre garde de ne pas glisser sur l'herbe mouillée.
5. Sur les terrains en pente, veiller particulièrement à ne pas perdre l'équilibre, et porter des chaussures antidérapantes.
6. Tondre les terrains en pente perpendiculairement à la pente et jamais de haut en bas ou de bas en haut.
7. Faire très attention lors des changements de direction sur des terrains en pente.
8. Tondre des terrains en pente ou des berges peut être dangereux. Ne pas utiliser la tondeuse sur les **talus** ou pentes **raides**.
9. Ne pas reculer en tondant, vous pourriez trébucher. Marcher - ne jamais courir.
10. Ne pas tondre en tirant la tondeuse vers soi.
11. Arrêter le moteur avant de faire passer la tondeuse sur les surfaces non gazonnées et pour transporter la tondeuse jusqu'à la pelouse et la ramener à son rangement.
12. Ne jamais faire fonctionner la tondeuse avec des protections endommagées ou sans protections.
13. Ne pas faire fonctionner le moteur à un régime trop élevé, et ne pas modifier les réglages du régulateur. Une vitesse excessive est dangereuse et réduit la longévité de la tondeuse.
14. Avant de démarrer le moteur:- si modèle avec frein moteur : actionner l'arceau frein moteur : s'assurer que la lame est bien débrayée.
15. Toujours tenir les mains et les pieds éloignés de l'outil de coupe, et surtout en mettant le moteur en marche.
16. Ne jamais incliner l'appareil en cours de marche, sauf pour démarrer ou arrêter le moteur. Dans ce cas, ne pas incliner l'appareil plus que nécessaire et seulement la partie la plus éloignée de l'opérateur.
17. Ne jamais soulever ou porter une tondeuse lorsque le moteur est en fonctionnement.
18. Le fil de la bougie peut être chaud, le manipuler avec précaution.
19. Ne tenter aucune intervention de maintenance sur la tondeuse tant que le moteur est chaud.
20. Arrêter le moteur, et attendre que la lame s'arrête de tourner.
  - avant de laisser la tondeuse sans surveillance.
21. Lâcher la poignée de présence de l'opérateur pour stopper le moteur, attendre que la lame arrête de tourner, déconnecter le câble de la bougie et attendre que le moteur refroidisse.
  - avant de remplir le réservoir;

## PRECAUTIONS A PRENDRE

- avant de dégager une obstruction;
  - avant d'inspecter, de nettoyer ou d'entretenir la tondeuse;
  - Si l'on heurte un objet. Ne pas redémarrer la tondeuse tant que l'on n'est pas certain/e que la tondeuse, dans son ensemble, peut fonctionner en toute sécurité.
  - si la tondeuse se met à vibrer de manière excessive. Effectuer une vérification immédiate. Des vibrations excessives peuvent être cause d'accidents.
- Entretien et entreposage**
1. Attention : Ne jamais toucher la(les) lame(s) en mouvement
  2. Pour assurer des conditions de sécurité optimales de fonctionnement, veiller à ce que tous les boulons, écrous et vis soient toujours bien serrés.
  3. Pour assurer la sécurité, remplacer les pièces usées ou endommagées.
  4. Pour remplacer la lame, le boulon de lame, les rondelles et la turbine, utiliser uniquement les pièces spécifiques pour cette tondeuse.
  5. Ne jamais entreposer la tondeuse avec du carburant dans le réservoir à l'intérieur d'un bâtiment où les vapeurs pourraient atteindre une flamme nue ou une étincelle.
  6. Laisser le moteur refroidir avant d'entreposer la tondeuse dans un endroit fermé.
  7. Pour réduire les risques d'incendie, débarrasser le moteur, le silencieux, le compartiment de la batterie et la zone d'entreposage du carburant, de tous déchets d'herbe, de feuilles ou de graisse.
  8. Si le réservoir de carburant doit être vidangé, le faire en plein air.
  9. Ranger dans un endroit frais et sec et hors de portée des enfants. Ne pas laisser à l'extérieur.

## Montage (sans chariot)

### Pose du support de guidon sur la tondeuse à gazon.

1. Introduire le crochet (A2) attaché à la poignée inférieure (A1) au milieu de la fente centrale du guide (A3) dans la direction indiquée par la flèche (A4).
2. En maintenant le crochet (A2) dans la fente centrale du guide (A3) tourner la poignée inférieure (A1) dans le sens des aiguilles d'une montre à 90° pour placer les deux pieds de la poignée inférieure entre les supports du capot (A5).
3. Insérer les goupilles (B1) et serrer avec les attaches de maintien (B2).

### Pose du guidon sur le support de guidon

- AVANT** de fixer la poignée supérieure à la poignée inférieure, stabiliser la poignée inférieure en levant le crochet (C1) à la position de "stationnement" (C2).
1. Veillez à ce que le levier du volet de départ soit situé du côté gauche vu de l'arrière.
  2. Alignez le guidon avec le support de guidon (**reportez-vous à la Fig. D**). Posez les boulons (D1), les rondelles (D2) et les boutons à étoile (D3).
  3. Fixer les câbles aux guidons avec les serre-câble fournis, en veillant à ce que les câbles ne soient pas coincés entre la partie supérieure et la partie inférieure du guidon.

## Montage (avec chariot)

1. Fixer le guidon inférieur (E1) au châssis avec la broche de guidon inférieur (E2) selon la Fig. E.
2. Fixer les roues (F1) au cadre de roues (F2) avec les clips (F3) selon la Fig. F.
3. Monter le cadre de roues (G1) au châssis avec le boulon de guidon inférieur (G2), la petite rondelle (G3), la grosse rondelle (G4) et le contre-écrou (G5) selon la Fig. G.

4. Insérer la partie inférieure des tubes extensibles (H1) dans leur partie supérieure (H2) et les fixer avec la broche (H3) et le clip (H4) selon la Fig. H.

Montez la poignée supérieure sur la poignée inférieure selon les instructions de la section ci-dessus "Montage (sans chariot)".

## Position de la poignée

La position de la poignée peut être réglée en utilisant le guide et l'assemblage crochet. Pour régler la position de la poignée.

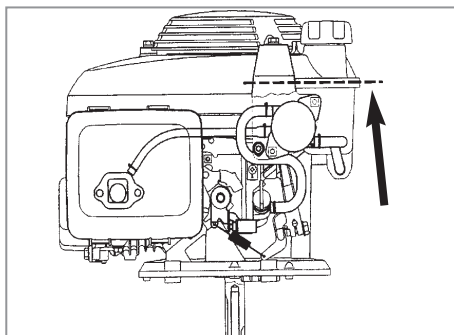
1. Lever le crochet (C1).

2. Positionner comme il le faut: (C2) Position "Stationnement", (C3) Position "Tondeuse"

## Essence

### Utilisez de l'essence automobile sans-plomb ordinaire, fraîche et propre.

Ne remplissez pas le réservoir dans un local fermé, quand le moteur est chaud, quand vous fumez ou près d'une flamme nue. Nettoyez soigneusement autour du bouchon de remplissage avant de remplir, pour éviter d'introduire des saletés dans le circuit d'alimentation. Rangez l'essence dans un endroit frais, à l'écart de toute flamme nue. Ne remplissez pas le réservoir quand le moteur est en marche. Remplissez le réservoir par un entonnoir doté d'un filtre fin. Ne remplissez jamais le réservoir jusqu'en haut, mais seulement jusqu'à la base du col de remplissage. Quand on remplit un réservoir vide, ou si le moteur est tombé en panne sèche, il faut ajouter au minimum 400 cl d'essence (**jusqu'au niveau de la ligne indiquée sur le diagramme**) pour assurer que la pompe s'amorcera correctement pour faire démarrer le moteur. Le carburateur est préréglé. Normalement, il n'y a pas besoin de l'ajuster.



## Huile

Utilisez une huile détergente automobile 4-temps. L'huile SAE 10W-30 est recommandée pour l'usage général.

Remplissez d'huile selon les instructions du manuel de la tondeuse.

## Démarrage et Arrêt

### Comment démarrer votre tondeuse à gazon.

1. Sélectionnez la position Arrêt (C2) du guidon.
2. Branchez le câble de la bougie. (J)
3. Ouvrez le robinet à essence (K).
4. Mettez le levier du volet de départ sur la position 'Départ' (L) si le moteur est froid, et sur la position 'Marche' (N) si le moteur est chaud.
5. Tirez la commande marche/arrêt sécurité et la tenir fermement contre le manche supérieur.
6. Placer le pied droit sur le carter de la tondeuse et appuyer fermement. En tenant le haut de la partie inférieure de la poignée, incliner la tondeuse légèrement vers soi (M). Ceci permet de maintenir la tondeuse en position correcte pour mettre le moteur en marche et évite également de faire des coupes circulaires inélégantes dans la pelouse lors du démarrage.
7. Tirez la poignée de démarrage progressivement jusqu'à ce qu'une résistance se fasse sentir, puis lâchez la poignée de démarrage doucement.

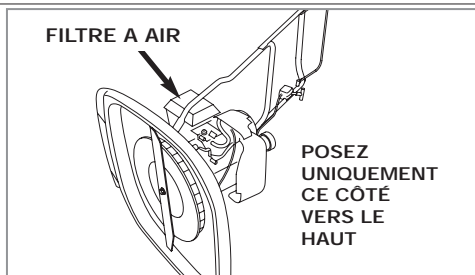
8. D'un mouvement ferme et sec, tirez la poignée de démarrage vers vous, jusqu'en fin de course.
9. Laissez monter le moteur en régime avant d'abaisser progressivement la tondeuse à gazon au sol.
10. Dès que le moteur est chaud, n'oubliez pas de remettre le levier de commande sur la position 'normal' (H).

### Comment arrêter votre tondeuse à gazon

- La lame continue à tourner après l'arrêt du moteur, pendant quelques secondes: il y a donc danger pendant cette période.
1. Actionner la commande marche/arrêt sécurité.
  2. À mesure que le moteur s'arrête, penchez la tondeuse un peu sur le côté. Si vous ne respectez pas cette consigne vous risquez de faire un trou dans votre gazon.
  3. Après l'arrêt complet du moteur, abaissez la tondeuse à gazon au sol.
  4. Sélectionnez la position d'arrêt (C2) du guidon.
  5. Fermez le robinet à essence (K).

## IMPORTANT

**Avant toute intervention sur le dessous de la tondeuse, fermez le robinet à essence, laissez le moteur s'arrêter, déconnectez le câble de bougie et METTEZ LA TONDEUSE SUR LE CÔTÉ AVEC LE FILTRE A AIR VERS LE HAUT.**



## Comment utiliser votre tondeuse

- Avant toute utilisation, il faut toujours faire un examen visuel pour vérifier que les lames et les boulons ne sont pas usés ou abîmés.
1. Mettez le manche sur la position de marche (C3).
  2. Tondez deux fois par semaine en pleine saison. Votre gazon peut souffrir d'un dessèchement trop rapide si vous tondez plus d'un tiers de sa hauteur.
- Tenez vos mains et vos pieds bien à l'écart de la lame, on ne peut pas voir la lame quand elle tourne.
  - Il peut être dangereux de tonder les talus et les pentes. Ne tondez pas les pentes raides.
  - Gardez toujours les pieds sur un sol plat, avec la tondeuse en contrebas, et la bougie vers le haut pour éviter que l'huile de graissage s'écoule dans le cylindre.
  - N'utilisez pas cette tondeuse sur des pentes d'herbe humide ou de plus de 45°.
  - Ne poussez jamais la tondeuse vers le haut de la pente.

## Comment tonder une pelouse

- N'utilisez jamais plus de 2 rondelles de réglage de hauteur de coupe.
  - On ne peut mettre de rondelles de réglage qu'entre la lame et la turbine, mais jamais entre la lame et le boulon. (P)
1. Assurez-vous que la commande marche/arrêt est déclenchée, quand le moteur arrête de tourner, débranchez le fil de la bougie d'allumage.
  2. Fermez le robinet à essence (K). Posez la tondeuse à gazon sur le côté.
  3. Retirez le boulon de lame (P1) et la lame (P2) selon la section 'Démontage de la lame et du ventilateur'.
  4. Pour une coupe plus basse - ajouter les rondelles de réglage (P3) jusqu'à 2 pièces maximum.
  5. Pour une coupe plus haute - enlever les pièces d'écartement (P3).
  6. Remontez la lame selon la section 'Montage de la lame et du ventilateur'.

## Enlèvement et Montage de la Lame et du Ventilateur

Il faut toujours manier la lame soigneusement - les bords tranchants risquent d'occasionner des blessures. PORTER DES GANTS. Le fil de la bougie d'allumage risque d'être chaud - le manier soigneusement.

### Enlèvement de la lame et de la turbine

- Changez votre lame en métal au bout de 50 heures d'utilisation ou de 2 ans s'il y a moins de 50 heures - quel qu'en soit l'état.
  - Si la lame est fêlée ou abîmée, remplacez-la.
1. Assurez-vous que la commande arrêt sécurité soit déclenchée, lorsque le moteur s'est arrêté et que la lame a arrêté de tourner - débranchez le fil de la

bougie d'allumage.

2. Fermez à fond le robinet à essence (K).
3. Mettez la tondeuse sur le côté, avec le filtre à air vers le haut. (voir schéma ci-dessus).
4. Pour enlever le boulon de la lame (P1), tenez le ventilateur (P4) fermement et desserrez le boulon de la lame en le tournant dans le sens contraire des aiguilles d'une montre avec la clef prévue.
5. Enlevez le boulon de la lame (P1), la lame (P2) les rondelles de réglage (P3) et le ventilateur (P4).
6. Examinez ces pièces pour voir si elles sont abîmées et les nettoyer au besoin.

## Montage de la lame et du ventilateur

- Avant toute utilisation, il faut toujours faire un examen visuel pour vérifier que les lames et les boulons ne sont pas usés ou abîmés.
  - Ne jamais utiliser plus de 2 rondelles de réglage de hauteur de coupe.
  - Il ne faut mettre les pièces d'écartement qu'entre la lame et le ventilateur, jamais entre la lame et le boulon.
1. Assurez-vous que la turbine soit bien positionnée.
  2. Mettez les rondelles de réglage (P3) sur la turbine en vous assurant que les tétons (P5) sont bien dans les trous (P6).

3. Placez la lame (P2) sur les rondelles de réglage (P3) en vous assurant que les tétons (P7) sont bien placés dans les trous (P8) de la lame et en vous assurant que la lame est positionnée de la manière illustrée sur la Figure P.
4. Placez le boulon de la lame (P1) dans le trou central (P9) de la lame.
5. Serrez bien à la main dans le sens des aiguilles d'une montre.
6. Tenez la turbine fermement et serrez le boulon de la lame avec la clef prévue.

## Bougie

Si la bougie est huileuse ou encrassée, il sera difficile de démarrer et le rendement du moteur sera réduit. Retirez régulièrement la bougie pour la nettoyer et l'ajuster si nécessaire.

Réglez de l'écart 0,028 – 0,031".  
Ne retirez pas la bougie quand le moteur est chaud. Ne décapez pas la bougie au jet de sable.

## Nettoyage du filtre à air

- Q1 – Conduit d'air, Q2 – Corps du filtre à air, Q3 – Filtre, Q4 – Ergots de blocage, Q5 – Capot du filtre à air
- Ne faites jamais fonctionner un moteur sans filtre ou avec un filtre sale. Ceci réduirait beaucoup le rendement du moteur et l'endommagerait.
- La tondeuse est équipée d'un filtre à air, dont l'entretien est comme suit:
- Inspectez le filtre avant chaque usage.
  - Nettoyez le filtre toutes les 25 heures ou plus souvent si la tondeuse est utilisée dans une zone poussiéreuse.
  - Remplacez le filtre toutes les 200 heures.

1. Appuyez sur les ergots de blocage situés sur le dessus du capot du filtre à air, et retirez le capot.
2. Vérifiez que le filtre est propre et en bon état.

Si le filtre est sale :

- Tapez le filtre plusieurs fois sur une surface dure pour enlever la saleté, ou faites y passer de l'air comprimé depuis le côté propre situé contre le moteur. N'essayez jamais d'éliminer la saleté en brossant, car cela ferait entrer la saleté dans les fibres.
3. Essuyez le corps du filtre à air et son capot avec un chiffon humide. Veillez à ne pas faire entrer de saletés dans le conduit d'air qui va vers le carburateur.
  4. Remontez le filtre et le capot.

## Entretien de Votre Tondeuse a Gazon

Si vous n'avez pas l'intention d'utiliser votre tondeuse à gazon pendant une période prolongée, il est conseillé d'effectuer la procédure suivante après la dernière utilisation:

1. Arrêtez le moteur.
  2. Fermez à fond le robinet à essence. (K)
  3. Remettez en marche le moteur.
  4. A mesure qu'il a moins d'essence, le moteur va commencer à s'arrêter. Inclinez légèrement la tondeuse.
  5. Après l'arrêt complet du moteur, déclenchez la commande arrêt sécurité.
  6. Débranchez le câble de la bougie.
  7. Vidangez totalement votre réservoir d'essence.
- Nettoyage - PORTER DES GANTS**
- Il faut que votre tondeuse à gazon soit toujours bien propre - l'herbe coupée dans les entrées d'air, autour du moteur ou sous le carter de coupe pourrait constituer un risque d'incendie.

- Ne la nettoyez pas avec des produits chimiques, y compris l'essence ou les solvants - certains de ces produits peuvent détruire des pièces en plastique.
1. Enlevez l'herbe d'en-dessous du carter de coupe avec un morceau de bois ou autre outil similaire.
  2. Servez-vous d'une brosse douce autour du moteur et de toutes les entrées d'air pour enlever l'herbe coupée.
  3. Enlevez la turbine, voir "enlèvement et montage de la lame et de la turbine", et nettoyez avec une brosse douce.
  4. Essuyez la surface de votre tondeuse avec un chiffon sec.

### Transport de la tondeuse

- Mettez le robinet à essence sur la position d'arrêt et transportez la tondeuse avec le moteur à l'horizontale.
- Ne transportez jamais la tondeuse quand elle est en marche.

### Rangement de votre tondeuse à gazon

Mettez le robinet à essence sur la position d'arrêt et rangez la tondeuse dans un endroit frais, sec, à l'abri de l'humidité, avec le moteur à l'horizontale.

#### En fin de saison

1. Arrêtez le moteur.
2. Fermez à fond le robinet à essence. (K)
3. Remettez en marche le moteur.
4. A mesure qu'il a moins d'essence, le moteur va commencer à s'arrêter. Inclinez légèrement la tondeuse.
5. Après l'arrêt complet du moteur, déclenchez la commande arrêt sécurité.
6. **Débranchez le câble de la bougie.**
7. Vidangez totalement votre réservoir d'essence.
8. Enlevez le fil de la bougie d'allumage et la bougie. Versez une cuillerée (5ml) d'huile dans le trou de la bougie. Tirez la poignée de démarrage 2 ou 3 fois. Ceci servira à répartir l'huile sur les surfaces intérieures du moteur. Examinez, nettoyez la bougie et remettez-la en place. Si vous avez besoin d'une bougie neuve, contactez votre centre d'entretien/concessionnaire agréé. Ne branchez pas le fil de la bougie d'allumage.
9. Nettoyez le filtre à air. Voir "Nettoyage du filtre à air".
10. Remplacez la lame si elle est fêlée, abîmée ou tordue. Remplacez le boulon de la lame au besoin. Voir les directives "Enlèvement et montage de la lame et du ventilateur".
11. Ne vous servez que des pièces et accessoires d'origine Flymo prévues pour cette machine.
12. Nettoyez votre tondeuse à fond voir "Nettoyage".
13. Votre station service locale agréée exécutera tout entretien ou réparation voulus.
14. Rangez votre tondeuse à gazon dans un endroit sec.

## Conseils d'identification des défauts

### Le moteur ne démarre pas.

1. Assurez-vous que la commande de mise en route est tenue bien fermement contre le manche supérieur.
2. Vérifiez qu'il y a assez d'essence dans le réservoir et que le robinet à essence est ouvert.
3. Vérifiez que le levier de volet de départ est en position correcte: Position 'Marche' (N) si le moteur est chaud, position 'Départ' (L) si le moteur est froid.
4. Il se peut que le moteur soit noyé. Démontez et séchez la bougie.
5. Le mélange de carburant peut être incorrect ou périmé - si c'est le cas, remplacez le carburant.
6. Vérifiez que le boulon de la lame est correctement serré. Un boulon de lame mal serré peut provoquer des problèmes de démarrage.
7. Si le moteur ne démarre toujours pas - débranchez le fil de la bougie et contactez votre station service agréée.

### Mauvaise flottaison ou manque de puissance

1. Débranchez le câble de la bougie.

2. Nettoyez le filtre à air, les passages d'air, le pourtout du moteur et en dessous du carter de tonte.
3. Vérifiez que le levier de contrôle du volet de départ est en position 'Marche' (N).
4. Le mélange de carburant peut être incorrect ou périmé - si c'est le cas, remplacez le carburant.
5. S'il y a toujours un mauvais effet de coussin d'air ou un manque de puissance - débranchez le fil de la bougie et contactez votre station service agréée.

### Trop de vibrations

1. Débranchez le câble de la bougie.
2. Vérifiez que la lame est correctement montée. **Reportez-vous à 'Dépose et repose de la lame et du ventilateur'.**
3. Si la lame est endommagée ou usée, n'hésitez pas à la remplacer.
4. Si la vibration persiste - n'utilisez pas la tondeuse - débranchez le fil de la bougie et contactez votre station service agréée.

## Pièces de rechange

### Lame

Numéro de pièce.: 5119004-00

## Garantie et Police de Garantie

Si une pièce s'avère défectueuse pour cause de défaut de fabrication, au cours de la période de garantie, Husqvarna UK Ltd. d'extérieur se chargera, sans frais pour le consommateur, de la réparation ou du remplacement, via ses agents de service après-vente agréés, dès lors que :

- a) Le défaut est directement signalé au réparateur autorisé.
- b) La fourniture du justificatif d'achat
- c) Le défaut n'est pas causé par une mauvaise utilisation, une négligence ou un mauvais réglage effectué par l'utilisateur.
- d) La panne n'est pas causée par l'usure normale.
- e) La machine n'a pas été entretenue ou réparée, démontée ou manipulée par toute personne non autorisée par Husqvarna UK Ltd..
- f) La machine n'a pas été utilisée pour la location.
- g) La machine appartient au premier acheteur.
- h) La machine n'a pas été commercialement utilisée..

\* Cette garantie est additionnelle à, et dans aucune circonstance elle diminue les droits statutaires des clients

Les défaillances occasionnées dans les situations ci-dessus ne sont pas couvertes. Il est donc important de lire les instructions contenues dans le manuel de

l'utilisateur et de bien assimiler comment utiliser et entretenir votre outil :

### Défauts non couverts par la garantie

- \* Défauts causés par un défaut initial non signalé.
- \* Défauts causés par un choc soudain.
- \* Défaillances résultant d'une utilisation du produit dans des conditions autres que celles stipulées dans les instructions et recommandations contenues dans le manuel de l'utilisateur.
- \* Les machines utilisées pour la location ne sont pas couvertes par cette garantie.
- \* Les lames sont considérées comme parties soumises à l'usure, leur durée d'utilisation dépend d'un entretien régulier, et par voie de conséquence, ils ne font normalement pas l'objet de réclamations dans le cadre de la garantie.

### ATTENTION !

Sous la garantie, Husqvarna UK Ltd. n'accepte pas dans l'ensemble ou en partie, directement ou indirectement, la responsabilité des défauts causés par le montage de pièces de rechange ou de parties supplémentaires qui ne sont pas fabriquées ou approuvées par Husqvarna UK Ltd., ou si la machine a été modifiée de quelque façon que ce soit.

## Informations Concernant L'environnement

Les articles Husqvarna Outdoor UK Ltd. sont fabriqués conformément à un Système de Gestion de l'Environnement (ISO 14001) qui utilise, autant que possible, des composants fabriqués dans le respect de l'environnement, conformément aux procédures de l'entreprise, et ayant le potentiel d'être recyclés à la fin de leur vie utile.

- \* L'emballage est recyclable et les composants en plastique sont identifiés (dans la mesure du possible) pour leur permettre d'être recyclés selon leur catégorie.
- Prendre l'environnement en considération lors de la mise au rebut du produit à la fin de sa vie utile.
- Si nécessaire, consulter les services municipaux pour toute information concernant la mise au rebut.

### MISE AU REBUT DES COMBUSTIBLES ET LUBRIFIANTS

- Porter des vêtements de protection lors de toute manipulation des combustibles et lubrifiants.
- Éviter le contact avec la peau.
- Vider le carburant et les lubrifiants avant le transport.
- Consulter les services municipaux pour toute information concernant le centre de recyclage et mise au rebut le plus proche.



NE PAS jeter les combustibles et lubrifiants avec les ordures ménagères.



Les déchets de lubrifiants sont dangereux et doivent être mis au rebut uniquement dans un centre agréé.



NE PAS jeter les déchets de combustibles et lubrifiants dans l'eau.



NE PAS incinérer.



# EC DÉCLARATION DE CONFORMITÉ

Husqvarna AB, 561 82, Huskvarna, Sweden

Nous déclarons sous notre seule responsabilité que le(s) produit(s) :

Catégorie.....**Tondeuse à gazon à essence**

Type.....**GX560**

Identification de la série.....**Voir la puissance du produit sur l'étiquette**

Année de Construction.....**Voir la puissance du produit sur l'étiquette**

est/sont conforme(s) aux exigences et dispositions essentielles des Directives européennes suivantes :  
**2006/42/EC, 2004/108/EC, 2000/14/EC**

Selon les normes harmonisées de l'UE applicables :

**EN 836, EN55012**

Le niveau de pression sonore maximum mesuré à l'oreille de l'opérateur, enregistré sur un échantillon du/des produit(s) ci-dessus correspond au niveau indiqué dans le tableau.

Le niveau de vibration maximum main/bras mesuré suivant la norme EN ISO 20643 sur un échantillon du/des produit(s) ci-dessus correspond à la valeur  $a_h$  indiquée dans le tableau.

2000/14/CE : Les valeurs de puissance sonore mesurées et de puissance sonore garantie sont conformes aux chiffres indiqués dans le tableau.

Procédure d'évaluation de conformité.....Annex VI

Organisme notifié.....Intertek, Cleeve Road  
Leatherhead, Surrey  
KT22 7SB, England

Newton Aycliffe 13/5/2011

M.Bowden

Directeur R&D International - autotracteur

Conserver la documentation technique



Type	GX560
Largeur de coupe (cm)	50.5
Vitesse de rotation de l'outil de coupe (rpm)	3100
Puissance nominale (kW)	3.0
Niveau de puissance sonore mesuré $L_{WA}$ (dB(A))	96
Niveau de puissance sonore mesuré $L_{WA}$ (dB(A))	98
Niveau $L_{pA}$ (dB(A))	86.8
Incertitude $K_{pA}$ (dB(A))	2.5
Valeur $a_h$ ( $m/s^2$ )	3.3
Incertitude $K_{ah}$ ( $m/s^2$ )	1.5
Poids (Kg)	16.5

La puissance nominale du moteur indiquée correspond à la puissance nette moyenne (tr/min spécifié) d'un moteur typique pour le modèle de moteur mesuré selon les normes ISO 1585 / SAE J1349. En pratique, la puissance effective du moteur équipant l'appareil dépendra de la vitesse de fonctionnement, des conditions environnementales et d'autres variables.

# VEILIGHEIDSVOORSCHRIFTEN



Indien deze grasmaaimachine niet op de juiste wijze wordt gebruikt, kan de machine gevaar opleveren. De machine kan ernstig letsel veroorzaken aan de bediener en omstanders; voor redelijke veiligheid en efficiëntie bij het gebruik van de grasmaaier, dienen de waarschuwingen en veiligheidsvoorschriften nauwkeurig te worden opgevolgd. De bediener draagt de verantwoordelijkheid voor het opvolgen van de waarschuwingen en veiligheidsvoorschriften, die in deze handleiding en op de grasmaaimachine vermeld staan.

## Uitleg van symbolen op het product



Waarschuwing



Lees de handleiding voor de gebruiker aandachtig door, zodat u volledig vertrouwd bent met de verschillende bedieningselementen en de werking daarvan.



Zorg dat de maaimachine tijdens het maaien altijd in contact blijft met de grond. Als de machine wordt opgetild of gekanteld, kunnen er onder hoge snelheid stenen naar buiten worden geworpen.



Zorg dat omstanders uit de buurt blijven. Gebruik de maaimachine niet als er zich mensen, en vooral kinderen of huisdieren, op het te maaien terrein bevinden.



Wees voorzichtig met uw voeten en handen. Houd uw handen of voeten veilig uit de buurt van het roterende mes.



Alvorens onderhoud uit te voeren aan de machine of de machine te reinigen of af te stellen, of wanneer de machine gedurende langere tijd niet zal worden gebruikt, dient de bougie te worden verwijderd.



Het mes blijft nog een tijdje roteren nadat de machine uitgeschakeld werd. Wacht totdat alle machine-onderdelen volledig stilliggen voordat u ze aanraakt.

## Algemeen

1. De grasmaaimachine mag nooit worden gebruikt door kinderen of personen die niet op de hoogte zijn van de instructies voor gebruik. Volgens plaatselijke wettelijke voorschriften kan er een minimum leeftijd van toepassing zijn voor bedieners van deze machine.
2. Stop het gebruik van de machine als er mensen, vooral kinderen, of huisdieren in de buurt zijn.
3. De grasmaaier is uitsluitend bestemd voor gebruik op de wijze waarop en voor de doeleinden die in deze instructies worden beschreven.
4. Gebruik de grasmaaier nooit als u moe, ziek of onder invloed bent van alcohol, drugs of medicijnen.
5. De bediener of gebruiker is aansprakelijk voor eventuele ongevallen of gevarende die worden veroorzaakt aan andere personen of hun eigendom.

## Veiligheid van brandstof

### WAARSCHUWING - benzine is uiterst brandbaar

- Draag beschermende kleding wanneer u werkt met brandstoffen en smeeroliën.
- Voorkom contact met de huid.
- Verwijder benzine en machine-olie voordat u het product vervoert.
- Benzine dient te worden bewaard in een speciaal voor dit doel bestemde container. Over het algemeen zijn plastic containers ongeschikt voor dit doel.
- De tank dient altijd buitenshuis te worden bijgevoeld en er mag niet worden gerookt.
- De tank dient te worden bijgevoeld **VOORDAT** de motor wordt gestart. De tankdop mag nooit wordt geopend en de tank mag ook niet worden bijgevoeld als de motor loopt of heet is.
- Indien er benzine wordt gemorst, mag de motor niet worden gestart en dient de machine uit de buurt van de gemorste vlek te worden geduwd; elke vorm van ontsteking moet worden vermeden totdat de vlek geheel is vervlogen.
- Zorg, dat de tankdop en dop van de container altijd

goed vast worden gedraaid.

- Voordat u de motor start, dient u de machine uit de buurt te duwen van de plaats waar u de tank heeft bijgevoeld.
- Brandstof moet op een koele plaats worden opgeslagen, uit de buurt van open vlammen.

## Vorbereitung

1. Tijdens het gebruik van dit apparaat altijd degelijke schoenen en een lange broek dragen. De apparatuur nooit met blote voeren of open sandalen bedienen.
2. Het gebruik van oorbeschermers wordt aanbevolen.
3. Controleer of er geen stekken, botten, ijzerdraad en rommel in het gras liggen; deze kunnen door het mes onder hoge snelheid naar buiten worden geworpen.
4. Controleer de machine vóór gebruik en na harde schokken altijd op eventuele slijtage en beschadigingen en repareer deze zo nodig.
5. Om de juiste balans te behouden, dient men bij vervanging van het mes altijd de hele bevestigingsset te vervangen.
6. Defecte geluiddempers dienen vervangen te worden.

## Gebruik

1. Gebruik de machine niet in een afgesloten ruimte, waar de uitlaatgassen (koolmonoxide) zich kunnen ophopen.
2. Gebruik de maaimachine alleen bij daglicht of goed kunstmatig licht.
3. Vermijd waar mogelijk gebruik van de machine als het gras nat is.
4. Wees voorzichtig dat u niet uitglijdt als het gras nat is.
5. Wees op hellingen extra voorzichtig dat u niet uitglijdt en draag niet-slijpende schoeisel.
6. Hellingen dienen altijd in overdwarse richting te worden gemaaid, en niet van boven naar beneden of andersom.
7. Wees uiterst voorzichtig wanneer u op een helling van richting verandert.
8. Grasmaaien op hellingen en taluds kan gevaarlijk zijn. Niet maaien op **taluds** of **steile** hellingen.
9. Loop niet achteruit met de grasmaaier, omdat u dan zou kunnen struikelen. Altijd lopen, nooit rennen.
10. Maai het gras nooit door de maaimachine naar u toe te trekken.
11. Schakel de motor uit voordat u de grasmaaimachine over andere oppervlakken dan gras wilt duwen en voor transport van de maaimachine van en naar het te maaien terrein.
12. De machine mag niet worden gebruikt als de beschermplaten beschadigd of afwezig zijn.
13. De motor mag niet te hard lopen en de instellingen van de toerenregelaar mogen niet worden gemodificeerd. Te hard rijden is gevaarlijk en verkort de levensduur van de maaimachine.
14. Voordat de motor wordt gestart, dienen alle mes aandrijfkoppelingen vrij te worden gezet.
15. Houd uw handen en voeten altijd uit de buurt van de snij-inrichting, vooral wanneer u de motor aanzet.
16. De maaiër mag niet worden gekanteld terwijl de motor draait, behalve bij het starten of stoppen. In zo'n geval mag hij niet meer worden gekanteld dan absoluut noodzakelijk is en kantel uitsluitend het deel dat van de bediener weg is.
17. De maaimachine mag niet worden opgetild of gedragen met lopende motor.
18. De bougiekabel kan heet worden - wees voorzichtig.
19. Voer nooit onderhoud uit aan de machine als de motor heet is.
20. Schakel de motor uit en wacht tot het maaimes helemaal tot stilstand is gekomen:-
  - als u de machine enige tijd onbeheerd wilt achterlaten.
21. Zet de regeling voor aanwezigheid van gebruiker in zijn vrij om de machine te stoppen, wacht totdat het mes is uitgedraaid, koppel de kabel van de bougie

## VEILIGHEIDSVOORSCHRIFTEN

- los en wacht totdat de motor is afgekoeld:-
- voordat u de benzinetank bijvult;
- voordat u een verstopping verwijdert;
- voordat u controles, reiniging of onderhoud uitvoert aan het apparaat;
- als u een vreemd voorwerp raakt. Gebruik de machine niet totdat u zeker bent dat de hele grasmaaimachine veilig is voor gebruik;
- als de maaimachine abnormaal trilt, moet u stoppen. Te grote trillingen kan letsel veroorzaken.

### Onderhoud en opslag

1. Voorzichtig: Raak een draaiend blad (draaiende bladen) niet aan.
2. Zorg dat alle moeren, bouten en schroeven goed zijn aangedraaid zodat de maaier altijd veilig kan worden gebruikt.

3. Vervang versleten of beschadigde onderdelen onmiddellijk.
4. Gebruik voor vervanging uitsluitend originele, voor deze machine bestemde maaimessen, bladbouten, vulplaatjes en rotorbladen.
5. Zet de maaier nooit in een ruimte/gebouw waar benzinedampen in aanraking kunnen komen met open vuur of vonken als er nog benzine in de tank zit.
6. Laat de motor altijd eerst afkoelen voordat de machine wordt opgeborgen in een afgesloten ruimte.
7. Om brandgevaar te vermijden, dienen de motor, geluiddemper, accubak en de brandstoftank vrij te zijn van gras, bladeren of overmatig veel vet.
8. Als de benzinetank moet worden geleegd, dient dit buiten te gebeuren.
9. Opslaan op een koele, droge plaats, buiten bereik van kinderen. Niet buiten opslaan.

## Montage (zonder wielen)

### Montage van de onderste hendel aan de gazonmaaier

1. De haak (A2) die aan de onderste hendel (A1) zit halverwege door de middelste opening van de geleide (A3) doen, in de door de pijl aangegeven richting (A4).
2. Met de haak (A2) in de middelste opening van de geleide (A3) de onderste hendel (A1) een kwart slag 90° met de klok mee draaien, om de beide uiteinden van de onderste hendel tussen de steunhaken van de kap (A5) te plaatsen.
3. De pennen (B1) aanbrengen en met de clips (B2) vastzetten.

De bovenste hendel aan de onderste hendel monteren  
Alvorens de bovenste hendel aan de onderste hendel te monteren moet u ervoor zorgen dat de onderste hendel stabiel is door de haak (C1) in de 'parkeerstand' (C2) te zetten.

1. Zorg dat de regelhendel van de choke aan de linkerkant zit (van achteren gezien).
2. Breng de onderste en bovenste hendel in lijn (zie afbeelding D). Monteer de bouten (D1), sluitringen (D2) en borg deze met de hendelknoppen (D3).
3. Bevestig de kabels met de meegeleverde kabelklemmen aan de handgrepen en zorg dat de kabels niet klem komen te zitten tussen de bovenste en de onderste handgreep.

## Montage (met wielen)

1. Zet de onderste handgreep (E1) met de pen (E2) van de onderste handgreep aan de behuizing vast, zoals geïllustreerd in Afb. E.
2. Zet de wielen (F1) met de borgklemmen (F3) aan het wielframe (F2) vast, zoals geïllustreerd in Afb. F.
3. Zet het wielframe (G1) met de bout van de onderste handgreep (G2), de kleine pasring (G3), de grote pasring (G4) en de borgmoer (G5) aan de behuizing

vast, zoals geïllustreerd in Afb. G.

4. Steek de onderste uitschuifbare buizen (H1) in de bovenste uitschuifbare buizen (H2) en zet deze met de pen (H3) en de borgklem (H4) vast, zoals geïllustreerd in Afb. H.

Monteer de bovenste handgreep op de onderste handgreep volgens de bovenstaande instructies in het onderdeel 'Montage (zonder wielen)'.

## Stand van de hendels

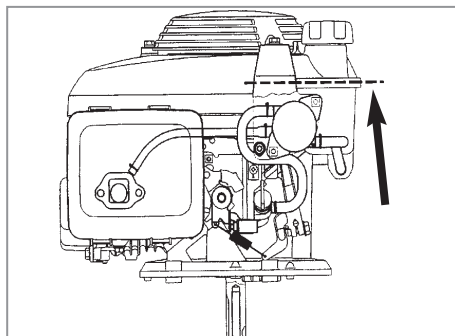
De stand van de hendels kan met de geleide en haak versteld worden. Voor het verstellen van de stand:

1. Haak (C1) oplichten.
2. Op de gewenste stand zetten:  
(C2) - Parkeerstand, (C3) - Maaistand.

## Brandstof

### Gebruik normale verse, schone, loodvrije benzine voor auto's

De brandstoftank NIET vullen in een besloten ruimte, wanneer de motor heet is of wanneer u rookt, en ook niet in de buurt van een open vlam. Het gedeelte rondom de vuldop grondig reinigen alvorens de brandstoftank te vullen; zo voorkomt u dat er vuil in het brandstofsysteem terecht komt. Brandstof dient te worden opgeslagen in een koele ruimte en uit de buurt van open vuur. De brandstoftank NIET met lopende motor vullen. Gebruik een trechter met een fijn filter om de brandstoftank te vullen. De brandstoftank NOOIT helemaal vullen, deze mag slechts tot aan de onderkant van de vullerhals worden gevuld. Als u een helemaal lege brandstoftank vult of als de motor voorheen droog is gelopen, dient minimaal 400 cc brandstof te worden bijgevoerd (tot aan de streep in de afbeelding), zodat de brandstofpomp goed injecteert als u de motor start. De carburateur is vooraf ingesteld. Normaal gesproken hoeft deze niet verder te worden afgesteld.



## Olie

Gebruik 4-takt reinigingsolie voor auto's. SAE 10W-30 wordt aanbevolen voor algemeen gebruik.

Vul olie bij volgens de instructies in de handleiding voor de motor, die met uw product geleverd werd.

## Starten en stoppen

Het starten van uw gazonmaaier

1. Plaats de hendel in de parkeerstand (C2).
2. Sluit de bougiekabel aan (J).
3. Draai het brandstofkraantje (K) open.
4. Bij een koude start dient u de regelhendel van de choke in de stand 'Choke' (L) te zetten. Bij een warme start dient u deze hendel in de stand 'Draaien' (N) te zetten.
5. Trek de Operator Presence Control tegen de bovenduwboom; stevig vasthouden.
6. Uw rechtoet voet stevig op de behuizing zetten en de bovenkant van de onderste handgreep met uw linkerhand vastpakken. De trimmer naar u toe kantelen (M). Zo hebt u het apparaat tijdens het starten in een veilige stand en voorkomt u dat er een lelijke ring in het gazon wordt gemaaid.
7. Rustig de starthendel uittrekken totdat u weerstand voelt, de starthendel langzaam terug laten gaan.
8. De starthendel krachtig naar u toe trekken en

volledig uittrekken.

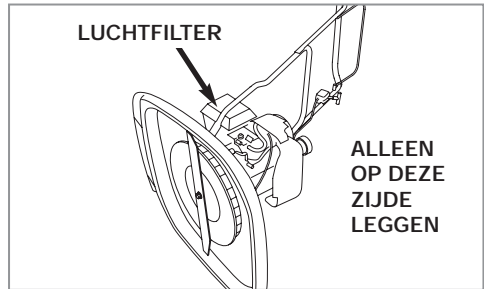
9. Laat de motor eerst op toeren komen en laat de gazonmaaier dan rustig zakken.
10. Overtuig u dat wanneer de motor op bedrijfstemperatuur gekomen is, de bedieningshendel zich in de 'normal' stand bevindt.

Het stoppen van de gazonmaaier

- Het maaimes blijft ronddraaien na uitschakeling van de gazonmaaier. Roterende maaimessen kunnen lichamelijk letsel veroorzaken.
1. Ontspan de Operator Presence Control.
  2. Kantel de grasmaaier lichtjes terwijl de motor tot stilstand komt. Dit voorkomt dat er een ring in uw gazon wordt gemaaid.
  3. Wanneer de motor gestopt is, de gazonmaaier op de grond laten zakken.
  4. Plaats de hendel in de parkeerstand (C2).
  5. Draai het brandstofkraantje (K) dicht.

## BELANGRIJK

**Alvorens onderhoudswerkzaamheden aan de onderkant van de machine uit te voeren, altijd eerst het brandstofkraantje sluiten, de motor laten uitdraaien, de bougiekabel loskoppelen en DE MACHINE OP HAAR KANT LEGGEN MET HET LUCHTFILTER NAAR BOVEN GERICHT.**



## Het maaien het gazon

- Vóór gebruik altijd onderwerpen aan visuele inspectie om te zien of het maaimes en mesbout niet zijn versleten of beschadigd.
1. Zet de duwboom in de maaistand (C3)
  2. Maai tijdens het groeiseizoen het gazon tweemaal per week. Uw gazonmaaier en gazon kan schade oplopen als u meer dan 1/3 van de graslengte per keer maait.
- Houd handen en voeten op veilige afstand van het maaimes, dat niet kan worden waargenomen wanneer het draait.
  - Het maaien van taluds en hellingen kan gevaarlijk zijn. Het maaien op sterk hellend terrein dient te worden vermeden.
  - Zorg dat u altijd op vlakke grond staat, met de maaier lager dan uzelf op de helling en met de bougie naar boven gericht; dit om te voorkomen dat er smeerolie in de cilinder komt.
  - Deze maaier niet gebruiken op hellingen die nat of steiler dan 45 graden zijn.
  - De maaier nooit heuvelopwaarts duwen.

## Maaihoogte Instellen

Afstellen van de maaihoogte

- Gebruik nooit meer dan 2 vulringen.
  - Vulringen kunnen alleen worden aangebracht tussen het maaimes en de waaier. Nooit tussen het maaimes en de mesbout. (P)
1. Zorg dat de Operator Presence Control is ontspannen wanneer de motor tot stilstand is gekomen - ontkoppel de bougiekabel!
  2. Draai het brandstofkraantje (K) dicht. Draai uw gazonmaaier op de zijkant.
  3. Verwijder de mesbout (P1) en het mes (P2) zoals beschreven in 'Het mes en de ventilator verwijderen'.
  4. Om een lagere maaihoogte te verkrijgen brengt u maximaal 2 vulringen (P3) aan.
  5. Om een hogere maaihoogte te verkrijgen - vulringen (P3) verwijderen.
  6. Zet het mes weer op zijn plaats zoals beschreven in 'Het mes en de ventilator monteren'.

## Verwijderen en monteren van het maaimes en de waaier

Hanteer het maaimes altijd met voorzichtigheid - de scherpe randen kunnen lichamelijk letsel veroorzaken. DRAAG HANDSCHOENEN

- De bougiekabel kan heet zijn - opletendheid is geboden.

Verwijderen van het maaimes en de waaier

- Vervang het metalen maaimes na 50 maaiuren of 2 jaar, welke hiervan het eerste plaatsvindt, ongeacht de conditie.
  - Als het maaimes een scheurteje vertoont of anderszins is beschadigd dient het door een nieuw maaimes te worden vervangen.
1. Zorg dat de Operator Presence Control is ontspannen wanneer de motor stilstaat en het maaimes niet meer draait - ontkoppel de bougiekabel.
  2. Draai het brandstofkraantje (K) goed dicht.
  3. Zet de maaier op zijn kant met het luchtfilter naar boven gericht (zie de bovenstaande afbeelding).
  4. Om de mesbout (P1) te verwijderen, houdt u de waaier (P4) stevig vast en draait u de mesbout met de meegeleverd sleutel linksom los.
  5. Verwijder de mesbout (P1), het maaimes (P2), de afstandsringen (P3) en de waaier (P4).
  6. De gazonmaaier op schade inspecteren en indien nodig schoonmaken.

## Monteren van het maaimes en de waaier

- **Vóór gebruik altijd onderwerpen aan visuele inspectie om te zien of het maaimes en mesbout niet zijn versleten of beschadigd.**
  - **Gebruik nooit meer dan 2 vulringen.**
  - **Vulringen kunnen alleen worden aangebracht tussen het maaimes en de waaier. Nooit tussen het maaimes en de mesbout.**
1. Zorg dat de waaier zich in de juiste positie bevindt.
  2. Plaats de vulringen (P3) op de waaier waarbij u erop moet toezien dat de nokken (P5) in de gaten (P6) steken.

3. Plaats het maaimes (P2) op de vulringen (P3). Zorg ervoor dat de nokken (P7) in de gaten (P8) van het maaimes steken en dat het zich in de positie bevindt als (Zie afb.P).
4. Steek de mesbout (P1) door het middelste gat (P9) van het maaimes.
5. Handvast draaien met de wijzers van de klok mee.
6. Houd de waaier stevig in positie en draai de mesbout met de meegeleverde sleutel goed vast.

## Bougie

Een vette of met koolstof vervuilde bougie bemoeilijkt het starten en doet afbreuk aan de efficiëntie van de motor. U dient de bougie regelmatig te verwijderen en deze zo nodig te reinigen en af te stellen.

Instelling voor speling is 0,028-0,031 inch. De bougie nooit verwijderen als de motor heet is. De bougie niet zandstralen om hem te reinigen.

## Het luchtfilter reinigen

- Q1 - Luchtpijp, Q2 - Luchtfilter, Q3 - Filter, Q4 - Vergrendelingslipjes, Q5 - Deksel van luchtfilter
- De motor nooit zonder filter of met een vuil filter laten draaien. Dit zal de efficiëntie van de motor aanzienlijk verminderen en leidt tot beschadiging van de motor. Uw grasmaaier is voorzien van een luchtfilter dat als volgt moet worden onderhouden:
- **Het filter voor elk gebruik controleren.**
  - **Elke 25 uur reinigen, of vaker indien de machine onder stoffige omstandigheden wordt gebruikt.**
  - **Het filter elke 200 uur vervangen.**
1. Druk op de vergrendelingslipjes boven op het deksel van het luchtfilter en verwijder het deksel.

2. Controleer of het filter schoon is en in goede staat verkeert. **Als het filter vuil is:**  
Tik het luchtfilter enkele malen tegen een hard oppervlak om vuil te verwijderen, of blaas via het schone vlak, dat naar de motor is gericht, perslucht door het luchtfilter. Probeer nooit om vuil af te borstelen, daar dit het vuil in de vezels forceert.
3. Veeg het vuil met een vochtige doek van het luchtfilter en het deksel. Let erop dat er geen vuil in de luchtpijp naar de carburateur komt.
4. Zet het filter en het deksel van het luchtfilter weer op hun plaats.

## Onderhoud van de gazonmaaier

Wanneer uw gazonmaaier langere tijd niet gebruikt gaat worden, adviseren wij na gebruik de volgende werkwijze te volgen:

1. Leg de motor stil.
2. Draai het brandstofkraantje (K) goed dicht.
3. Start de motor opnieuw.
4. Wanneer de brandstof bijna op is en de motor hapert, dient u de grasmaaier een stukje te kantelen.
5. Nadat de motor stilstaat ontspan de Operator Presence Contro.
6. Maak de bougiekabel los.
7. Verwijder de benzine uit de benzinetank.

### Schoonmaken - DRAAG HANDSCHOENEN

- **Houd de gazonmaaier schoon - afgeknipt gras dat terecht komt in een luchtinlaat of in de motor is brandgevaarlijk.**
  - **Gebruik voor het reinigen van de gazonmaaier geen chemicaliën, of oplosmiddelen - sommige hiervan kunnen belangrijke kunststof onderdelen vernietigen.**
1. Verwijder gras onder de maaiakast met een borstel.
  2. Met behulp van een zachte borstel verwijdert u gras in en rond het motorgedeelte en uit alle luchtinlaten.
  3. Verwijder de waaier - zie 'Verwijderen en monteren van het maaimes en de waaier' - en maak deze schoon met een zachte borstel.
  4. Veeg de maaiakast van uw gazonmaaier af met een droge doek.

### De grasmaaier vervoeren

- Draai het brandstofkraantje dicht en vervoer de grasmaaier met de motor in de horizontale stand.
- De grasmaaier nooit met draaiende motor vervoeren.

### Uw gazonmaaier opbergen

Draai het brandstofkraantje dicht en sla de machine op in een koele, droge, vochtbestendige en veilige ruimte, met de motor in de horizontale stand.

### Aan het eind van het maaiseizoen

1. Leg de motor stil.
2. Draai de het brandstofkraantje (K) goed dicht.
3. Start de motor opnieuw.
4. Wanneer de brandstof bijna op is en de motor hapert, dient u de grasmaaier een stukje te kantelen.
5. Nadat de motor stilstaat ontspan de Operator Presence Control.
6. **Maak de bougiekabel los.**
7. Verwijder de benzine uit de benzinetank.
8. Verwijder de bougiekabel en de bougie. Giet een theelepel (5 ml) olie door de bougie- opening. Trek twee- of driemaal aan de starthendel. Dit verdeelt de olie naar de interne delen van de motor. Controleer en reinig de bougie. Indien deze moet worden vervangen raadpleeg dan uw plaatselijke dealer. **De bougiekabel mag niet meer worden aangesloten.**
9. Reinig het luchtfilter. **Zie: 'Schoonmaken van het luchtfilter'.**
10. Vervang het maaimes indien het is gebarsten of anderszins beschadigd dan wel verbogen. Vervang zo nodig de bladbout. **Zie: 'verwijderen en monteren van maaimes en waaier'** voor volledige instructies.
11. Gebruik alleen originele Flymo onderdelen en accessoires die voor dit product zijn gespecificeerd.
12. **Maak uw gazonmaaier grondig schoon. Zie: 'Schoonmaken van de gazonmaaier'.**
13. Uw plaatselijke dealer voert elke gewenste service of reparatie uit.
14. Bewaar uw gazonmaaier op een koele, droge, vochtbestendige en veilige plaats.

## Tips voor foutenopsporing

### Motor wil niet starten

1. Zorg dat de Operator Presence Control stevig tegen de bovenduwboom wordt aangetrokken.
2. Controleer dat er voldoende brandstof in de tank zit en dat het brandstofkraantje open staat.
3. Controleer dat de regelhendel van de choke in de juiste stand staat: de stand 'Draaien' (N) als de motor heet is, de stand 'Choke' (L) als de motor koud is.
4. Brandstofmengsel is verouderd of verkeerd gemengd - vervang dit dan voor een vers brandstofmengsel.
5. Controleer of de mesbout vast zit. Een losse bout kan een startprobleem veroorzaken.
6. Indien de motor nog steeds niet start, ontkoppel dan de bougiekabel en raadpleeg uw plaatselijke dealer.

### Slechte zweving of gebrek aan vermogen

1. Ontkoppel de bougiekabel.

2. Reinig de onderkant van de maaikast, het luchtfilter, de waaier, het gedeelte rond de motor en de luchtinlaten.
3. Controleer dat de regelhendel van de choke in de stand 'Draaien' (N) staat.
4. Indien slecht zweven of gebrek aan vermogen blijft voortduren, ontkoppel dan de bougiekabel en raadpleeg uw plaatselijke dealer.

### Overmatig trillen

1. Ontkoppel de bougiekabel.
2. Controleer of het maaiemes op de juiste wijze is bevestigd. Zie: 'Verwijderen en monteren van het maaiemes en de waaier'.
3. Als het maaiemes is beschadigd of versleten, vervang het dan door een nieuw maaiemes.
4. Indien de trilling blijft aanhouden, gebruik de gazonmaaier dan niet. Ontkoppel de bougiekabel en raadpleeg uw plaatselijke dealer.

## Reserveonderdelen

### Snijblad

Onderdeelnummer.: 5119004-00

## Garantie & garantiebeleid

Als er binnen de garantieperiode onderdelen defect blijken als gevolg van fabrieksfouten, dan verzorgt Husqvarna UK Ltd. via diens bevoegde monteurs gratis voor reparatie of vervanging, mits:

- a) de fout onmiddellijk wordt doorgegeven aan de geautoriseerde service centre;
- b) het aankoopbewijs getoond kan worden;
- c) de fout niet veroorzaakt werd door misbruik, verwaarlozing of een foute instelling door de gebruiker;
- d) de fout geen gevolg is van normale slijtage;
- e) geen andere persoon, die niet door Husqvarna UK Ltd. geautoriseerd is, de machine onderhouden, hersteld of uit elkaar genomen heeft;
- f) de machine niet verhuurd werd;
- g) de machine het eigendom is van de oorspronkelijke klant;
- h) de machine niet voor commerciële doeleinden gebruikt werd.

\* Deze garantie is een extra service en zal in geen geval in de weg staan van uw statutaire rechten. Storingen als gevolg van het volgende worden niet gedekt. Het is daarom belangrijk dat u de instructies in de gebruikershandleiding leest en dat u weet hoe u de machine moet bedienen en onderhouden:

### Defecten die niet door de garantie gedekt worden:

- \* Defecten die het gevolg zijn van een oorspronkelijke fout die niet werd doorgegeven aan de geautoriseerde service center.
- \* Defecten die veroorzaakt werden door een botsing met iets.
- \* Storingen omdat het product niet gebruikt is in overeenstemming met de instructies en aanbevelingen in de gebruikershandleiding.
- \* Machines die verhuurd worden, zijn niet gedekt door deze garantie.
- \* De volgende items worden beschouwd als verslijtende onderdelen. Hoe lang ze meegaan is afhankelijk van regelmatig onderhoud en deze onderdelen worden derhalve niet door de garantie gedekt: messen.
- \* **Opgelet!**

Husqvarna UK Ltd. garantie dekt geen defecten die een rechtstreeks of onrechtstreeks gevolg zijn van de montage van reserve-onderdelen of extra's die niet geproduceerd of goed-gekeurd zijn door Husqvarna UK Ltd., of defecten die het gevolg zijn van een wijziging aan de machine.

## Informatie Met Betrekking Tot Het Milieu

Husqvarna UK Ltd. worden gefabriceerd onder de richtlijnen van een Environmental Management System (ISO 14001) waarbij men, voor zover dat praktisch is, gebruik maakt van componenten die op de meest milieuverantwoordelijke manier zijn gefabriceerd, volgens bedrijfsprocedures en met de mogelijkheid voor recycling aan het einde van hun levensduur.

- De verpakking kan gerecycled worden en plastic componenten zijn van een label voorzien (voor zover dat mogelijk was) voor recycling op categorie.
- Milieubewuste overwegingen dienen mee te spelen bij het weggooiën van een product aan het einde van haar levensduur.
- Indien nodig, neemt u contact op met de gemeentelijke autoriteit voor informatie over de verwerking.

### **VERWERKING VAN BRANDSTOFFEN EN SMEEROLIËN**

- Draag beschermende kleding wanneer u werkt met brandstoffen en smeeroliën.
- Voorkom contact met de huid.
- Verwijder benzine en machine-olie voordat u het product vervoert.
- Neem contact op met de gemeentelijke autoriteit voor informatie over het dichtstbijzijnde recycling-/verwerkingsstation.



Gooi brandstoffen en oliën NIET weg met het huishoudelijk afval.



Afgewerkte brandstoffen of oliën zijn schadelijk voor het milieu en dienen te worden verwerkt via de erkende recyclingfaciliteiten.



Gooi afgewerkte brandstoffen of oliën NIET weg in water.



NIET verbranden.

## EC CONFORMITEITSVERKLARING

Husqvarna AB, 561 82, Huskvarna, Sweden

Verklaren op eigen verantwoording dat het(de) product(en);

Category.....**Benzine Grasmaaier**

Type.....**GX560**

Identificatie van serie.....**Zie Productlabel**

Bouwjaar.....**Zie Productlabel**

Voldoet(voldoen) aan de essentiële eisen en voorzieningen van de volgende EG-richtlijnen:

**2006/42/EC, 2004/108/EC, 2000/14/EC**

gebaseerd op de volgende toegepaste binnen de EU geharmoniseerde standaarden:

**EN 836, EN55012**

Het A-gewogen geluidsdrukniveau  $L_{pA}$  op de positie van de bediener, vastgesteld op een voorbeeld van het(de) bovenstaande product(en) komt overeen met het Niveau in de tabel.

De maximale gewogen waarde van de hand-/armvibratie, gemeten volgens En ISO 20643 op een voorbeeld van het(de) bovenstaande product(en) komt overeen met de Waarde  $a_h$  in de tabel.

2000/14/EC: Het Gemeten Geluidsvermogen  $L_{WA}$  en het Gegarandeerde Geluidsvermogen  $L_{WA}$  komen overeen met de cijfers uit de tabel.

Controleprocedure conformiteit..... Annex VI

Erkend lichaam..... Intertek, Cleeve Road  
Leatherhead, Surrey  
KT22 7SB, England

Newton Aycliffe 13/5/2011

M.Bowden

Wereldwijd directeur O&O - Meeloop

Houder van technische documentatie



Type	GX560
Maaibreedte (cm)	50.5
Toerental maaier (rpm)	3100
Nominaal vermogen (kW)	3.0
Gemeten geluidsvermogen $L_{WA}$ (dB(A))	96
Gegarandeerd geluidsvermogen $L_{WA}$ (dB(A))	98
Niveau $L_{pA}$ (dB(A))	86.8
Onzekerheid $K_{pA}$ (dB(A))	2.5
Waarde $a_h$ ( $m/s^2$ )	3.3
Onzekerheid $K_{ah}$ ( $m/s^2$ )	1.5
Gewicht (Kg)	16.5

Het aangegeven vermogen van de motor(en) is het gemiddelde netto uitgaande vermogen (bij gespecificeerde tpm) van een typische productiemotor voor het motormodel, gemeten conform de SAE-standaard J1349 / ISO 1585. Bij massaal geproduceerde motoren kan deze waarde afwijken. Het werkelijke vermogen van de op het product geïnstalleerde motor is afhankelijk van het toerental, de omgevingsomstandigheden en andere variabelen.

# SIKKERHETSREGLER



Hvis denne gressklipperen ikke blir brukt riktig, kan den være farlig! Gressklipperen kan forårsake alvorlig skade på brukeren og andre, advarslene og sikkerhetsanvisningene må følges slik at det sørges for rimelig sikkerhet og effektivitet når gressklipperen er i bruk. Brukeren er ansvarlig for å følge advarslene og sikkerhetsanvisningene i denne håndboken og på gressklipperen.

## Forklaring av symbolene på produktet



Advarsel



Les bruksanvisningen nøye for å være sikker på at du er kjent med samtlige betjeningsknapper og hvordan de virker.



Gressklipperen må holdes på bakken hele tiden mens du klipper. Hvis gressklipperen vippes eller løftes, kan det gjøre at steiner slenges ut.



Hold tilskuere unna. Ikke klipp mens andre, særlig barn eller dyr, oppholder seg i området der du klipper.



Vær forsiktig så ikke tær eller hender kuttet av. Hold hender og føtter unna den roterende kniven.



Kople fra tennpluggen før du gjør forsøk på noe vedlikehold, rengjøring eller justering, eller hvis du lar gressklipperen være uten tilsyn, selv for en kort stund.



Kniven forsetter å rotere en kort stund etter at maskinen er slått av. Vent til samtlige av maskinens deler har stoppet helt før du berører dem.

## Generelt

1. La aldri barn eller personer som ikke er kjent med disse anvisningene, bruke gressklipperen. Lokalt regelverk kan sette aldersgrense for bruk av gressklipperen.
2. Slutt å bruke maskinen når andre mennesker, spesielt barn eller dyr, er i nærheten.
3. Gressklipperen må kun brukes på den måten og til de oppgavene som står beskrevet i anvisningene.
4. Bruk aldri gressklipperen når du er trett, syk eller påvirket av alkohol, medikamenter eller medisiner.
5. Brukeren er ansvarlig for ulykker eller fare som andre personer eller deres eiendom utsettes for.

## Sikkerhet med hensyn til drivstoff

### ADVARSEL - Bensin er meget ildsfarlig.

- Bruk beskyttelseskjør når du håndterer drivstoff og smøremidler.
  - Unngå kontakt med huden.
  - Fjern (Tapp ut) bensin og motorolje før du transporterer produktet.
  - Bensin skal oppbevares kjølig og i beholder som er godkjent for dette
  - Det anbefales å bruke bensinkanne med helletut, da unngår man søl og rusk på tanken.
- A. Klipperen er utstyrt med en 4-takts motor som går på ren bensin, ikke oljeblanding
    - Det er intet krav til oktantal eller bly-innhold, men det anbefales 95-blyfri bensin
  - B. Miljøtilpasset 4-takts bensin kan brukes, selges hos faghandlere for skog og hage produkter. Fordelen med miljøbensin er meget liten forurensning og at den kan lagres flere år.
    - Bensin skal kun fylles opp utendørs og det må ikke røykes mens det tankes
    - Tørk skitt og gressrester av tanklokket før det skrues av, dette for å forhindre at man får rusk i bensintanken
    - Bensin må fylles FØR klipperen startes. Varmkjørt motor bør stå og kjøle 4-5 min. før bensinlokket tas av og ny bensin fylles på
    - Hvis det soles bensin under fylling må det ikke gjøres
- forsøk på å starte klipperen før maskinen er flyttet bort fra der det ble sølt, og det må sørges for at det ikke oppstår muligheter for tenning før bensinen har fordampet
- Gammel bensin som er igjen fra sesongen før, eller drivstoff som har vært under oppbevaring over lang tid, bør ikke brukes. Unntak er miljøtilpasset bensin
  - Samtlige lokk på bensintank og beholdere må settes forsvarlig på plass igjen
  - Bensin bør oppbevares kjølig og unna åpen ild
  - Forgasseren er forhåndsinnstilt og produsert uten justerbare dyser for å tilfredstille dagens krav til utslipp
  - Bensin bør oppbevares kjølig, unna åpen ild.

## Forberedelse

1. Ha alltid solide sko og langbukser på når du bruker maskinen. Utstyret må ikke brukes når du er barbert eller når du har på deg åpne sandaler.
2. Det anbefales å bruke hørselvern.
3. Sørg for at det ikke ligger pinner, stener, ben, ståltråd og avfall på plenen; de kan bli kastet omkring av kniven.
4. Før du bruker maskinen, og etter et eventuelt sammenstøt eller kollisjon, kontroller at det ikke finnes tegn på slitasje eller skade og reparer etter som det er nødvendig.
5. Skift ut kniver som er slitt eller skadet, sammen med festeanordningene som hele sett for å beholde balansen.
6. Sørg for at defekte lydempere blir byttet ut.

## Bruk

1. La ikke motoren gå i et lukket rom hvor eksos (karbonmonoksid) kan samle seg.
2. Gressklipperen må kun brukes i dagslys eller god kunstig belysning.
3. Unngå bruk av gressklipperen i vått gress, hvor det er mulig.
4. Vær forsiktig i vått gress, du kan miste fotfestet.
5. Vær ekstra påpasselig med fotfestet i bakkehelling, bruk sko som ikke sklir.
6. Klipp på tvers i bakker, aldri opp og ned.
7. Vær ekstra forsiktig når du skifter retning i bakker.
8. Gressklipping i skråninger og bakker kan være farlig. Du må ikke klippe i skråninger eller bratte bakker.
9. Ikke gå baklengs mens du klipper, du kan snuble. Du må kun gå, aldri løpe.
10. Klipp aldri gresset ved å trekke gressklipperen mot deg.
11. Slå av motoren før gressklipperen skyves over andre underlag enn gress og når gressklipperen transporteres til og fra området som skal klippes.
12. Bruk aldri gressklipperen med deksler som er skadet, eller uten dekslene på plass.
13. Ikke rus motoren eller endre regulatorinnstillingen. For høy fart er farlig og reduserer gressklipperens levetid.
14. Kople fra samtlige kniv- og drivklutcher før du starter.
15. Hold hender og føtter unna klipperne (klippeenheter) til enhver tid og spesielt når du slår på motoren.
16. Produktet skal ikke vippes på siden når motoren er i gang – med unntak under starting og stopping. I dette tilfellet skal produktet ikke vippes på siden mer enn absolutt nødvendig, og løft kun delen som er unna operatøren.
17. Løft eller bær aldri en gressklipper mens motoren er i gang.
18. Tennpluggledningen kan være varm - vær forsiktig.
19. Gjør ikke noe forsøk på vedlikehold av gressklipperen mens motoren er varm.
20. Slå av motoren og vent til kniven har stoppet-
  - før du lar gressklipperen være uten tilsyn, uansett tidsrom.
21. Slipp OPC (operatørens kontrollspak) for å stoppe motoren, vent til kniven har stoppet, kople fra tennpluggledningen og vent til motoren er avkjølt-
  - før du tanker;
  - før du fjerner gress fra utkastertuten;
  - før du kontrollerer, rengjør eller arbeider på maskinen;
  - hvis du slår borti en gjenstand. Ikke bruk gressklipperen før du er sikker på at hele gressklipperen er i forsvarlig stand;



## SIKKERHETSREGLER

- hvis gressklipperen begynner å vibrere unormalt. Kontroller øyeblikkelig. Overdreven vibrasjon kan føre til skade.
- Vedlikehold og oppbevaring**
1. Forsiktighet: Ikke ta på eller rør roterende blad/er
  2. Hold alle muttere, bolter og skruer godt trukket til for å være sikker på at gressklipperen er i forsvarlig driftsmessig stand.
  3. For din sikkerhets skyld skift ut deler som er slitt eller skadet.
  4. Bruk kun ny kniv, knivbolt, avstandsstykke og viftehjul som er spesifisert for dette produktet.
  5. Gressklipperen må aldri oppbevares med bensin på tanken inni en bygning hvor bensindamp kan nå åpen ild eller en gnist.
  6. La motoren bli avkjølt før maskinen settes bort i et lukket rom.
  7. For å redusere brannfaren hold motoren, lyddempere, batteriseksjonen og bensintankområdet fritt for gress, blader eller overflødig fett.
  8. Hvis bensintanken må tømmes, må dette gjøres utendørs.
  9. Skal lagres på et kjølig og tørt sted og oppbevares utilgjengelig for barn. Skal ikke lagres utendørs.

## Montering (uten hjul)

### Montering av nedre håndtak til plenklipperen

1. Før kroken (A2) festet til nedre håndtak (A1) halvveis gjennom senterlissen på styringen (A3) i pilens retning (A4).
2. Mens kroken (A2) holdes i senterlissen til styringen (A3) dreies nedre håndtak (A1) 90° med urviserne for å sette begge føttene til nedre håndtak i stilling mellom brakettene (A5).
3. Sett i stiftene (B1) og fest med klemmene (B2).

### Øvre håndtak settes på nedre håndtak

- FØR** øvre håndtak settes på nedre håndtak må nedre håndtak stabiliseres ved å løfte kroken (C1) til "parkeringsstilling" (C2).
1. Forsikre deg om at chokespaken er på venstre side når du ser maskinen bakfra.
  2. Koble sammen nedre og øvre håndtak (D). Monter boltene (D1), skivene (D2) og skru sammen med vingemutrene (D3).
  3. Fest kablene til håndtakene med kabelfestene som følger med og vær sikker på at kablene ikke sitter fast mellom øvre og nedre håndtak.

## Montering (med hjul)

1. Monter nedre håndtak (E1) på karosseriet med den nedre hendeltapp (E2), som vist på Fig. E.
2. Fest hjulene (F1) til hjulrammen (F2) med festeklips (F3), som vist på Fig. F.
3. Fest hjulrammen (G1) til karosseriet med nedre håndtaksbolten (G2) liten pakning (G3) stor pakning (G4) og låsemutter (G5), som vist på Fig. G.

4. Sett nedre teleskoprør (H1) inn i øvre teleskoprør (H2) og fest med tappene (H3) og festeklips (H4), som vist på Fig. H.

**Fest det øvre håndtaket til det nedre håndtaket og følg anvisningene ovenfor i avsnittet "Montering (uten hjul)".**

## Håndtakets stilling

Håndtakets stilling kan justeres ved hjelp av styringen og kroken. Det gjør du slik:

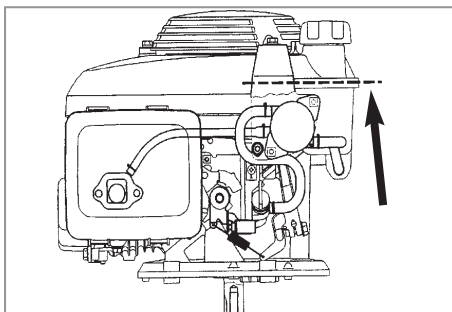
1. Løft kroken (C1)
2. Sett håndtaket i stilling:

- (C2) - parkering
- (C3) - klipping.

## Drivstoff

### Bruk ny, ren, blyfri, vanlig bilbensin

Bensintanken må ikke fylles i lukket rom, når motoren er varm, nær bar flamme eller mens du røyker. Rengjør grundig rundt bensintanklokket før du fyller, slik vil du forhindre at skitt kommer inn i drivstoffsystemet. Bensinen bør oppbevares kjølig, borte fra bare flammer. Tanken må ikke fylles mens motoren går. Fyll bensintanken gjennom en trakt med et fint filter. Bensintanken må aldri fylles helt, bare til nederst på påfyllingshalsen. Når du fyller opp en helt tom bensintank, eller når motoren tidligere har gått tom for bensin, må det has i minst 400cm<sub>3</sub> bensin (**opptil streken som er vist på diagrammet**) for å sørge for korrekt priming av bensinpumpen til å starte motoren. Forgasseren er forhåndsinnstilt. Normalt er det ikke nødvendig med ytterligere justering.



## Olje

Bruk 4-takts rengjøringsolje til biler. SAE 10W-30 anbefales til generell bruk.

Fyll på olje som anvist i maskinens Brukermanual som følger med produktet.

## Start og stopp

### Før å starte plenklipperen

1. Plasser håndtaket i parkeringsstilling (C2).
2. Monter tennplugg kabelen (J).
3. Åpne bensinkranen (K).
4. Skyv chokespaken til "Choke"-stilling (L) når du starter kald motor, og til "Kjør"-stilling (N) når du starter varm motor.
5. Klem sikkerhetsbyglen mot håndtaket og hold fast.
6. Sett høyre fot på dekslet og ta tak i toppen av det nedre håndtaket med venstre hånd. Vipp maskinen mot deg (M). Dette sikrer at den er i en trygg stilling ved oppstart, og forhindrer også at en utilsikket ring klippes på plenen din.
7. Dra startsnoren forsiktig ut inntil de føler motstand.
8. Start motoren ved å dra startsnoren helt ut med en jevn og kraftig bevegelse.

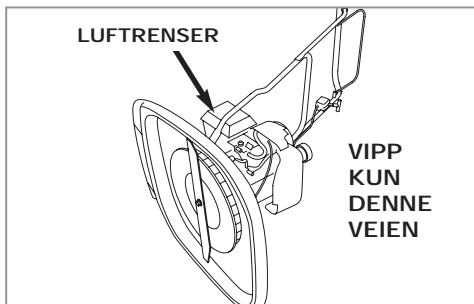
9. La motoren oppnå full hastighet før du forsiktig senker klipperen ned mot plenen.
10. Når motoren har oppnådd normal driftstemperatur, plasseres kontrollhendelen i normal stilling (N).

### Før å stoppe plenklipperen

- Knivsbladet fortsetter å rotere etter at maskinen er slått av, roterende knivsblad kan forårsake skade.
1. Slipp "Brukeren tilstede" kontrollen.
  2. Vipp gressklipperen litt opp mens motoren slukker. Dette hindrer at det blir klippet en ring i plenen.
  3. Når motoren har stoppet senkes plenklipperen ned på bakken.
  4. Plasser håndtaket i parkering stilling (C2).
  5. Lukk bensinkranen (K)

## VIKTIG

**Før det utføres service eller vedlikehold på undersiden av maskinen, lukk bensinkranen, la motoren gå til den stopper, koble fra tennpluggkabelen og VIPP MASKINEN OVER PÅ SIDEN MED LUFTRENSEREN ØVERST.**



## Slik klipper du plenen

- Før bruk alltid se på kniv og bolt for å undersøke at de ikke er slitte eller ødelagte.
  - 1. Sett håndtaket i "Klippe" posisjonen (C3)
  - 2. Klipp plenen to ganger i uken i vekstperioden. Plenen vil ta skade dersom mer enn 1/3 av gresslengden klippes på en gang.
  - Hold hender og føtter vekk fra kniven, en roterende kniv er ikke synlig.
  - Klipping i bakker og skråninger kan være farlig.
- Ikke klipp der bakken heller mye.
  - Ha alltid føttene på flat grunn med gressklipperen nedenfor deg selv i en skråning og med tennpluggen øverst for å unngå at smøringssolje renner inn i sylindere.
  - Gressklipperen må ikke brukes i skråninger som er våte eller med mer enn 45° helling.
  - Gressklipperen må aldri skyves opp en skråning.

## Slik justerer du klippehøyden

- Bruk aldri mer enn 2 skiver for å justere klippehøyden.
  - Skivene kan bare monteres mellom kniven og viften og aldri mellom kniven og bolthodet (P)
1. Vær sikker på at "Brukeren tilstede" kontrollen har blitt sluppet fri, og når motoren har stoppet å rotere, ta ledningen av tennpluggen.
  2. Lukk bensinkranen (K) Legg plenklipperen på siden.
  3. Fjern knivbolten (P1) og kniven (P2) som beskrevet i "Fjerning av kniven og viften".
  4. For å klippe lavere - sett på flere skiver (P3), til maksimalt 2.
  5. For å klippe høyere - ta av skiver (P3).
  6. Monter kniven som beskrevet i "Montering av kniven og viften"

## Demontering & montering av kniv og vifte

Berør alltid kniven med forsiktighet - skarpe kanter kan forårsake skade. BRUK HANSKER.  
Ledningen til tennpluggen kan være varm - berør den med forsiktighet.

### Demontering av kniv og vifte

- Forny kniven etter 50 timers klipping eller 2 år avhengig av hvilket som kommer først - uansett knivens tilstand.
  - Dersom kniven er sprukket eller ødelagt erstatt den med en ny.
1. Vær sikker på at "Brukeren tilstede" kontrollen har

blitt sluppet fri, og når motoren har stoppet og kniven har stoppet å rotere - ta ledningen av tennpluggen.

2. Lukk bensinkranen helt (K).
3. Snu maskinen på siden med luftrenseren øverst (se bildet ovenfor).
4. For å fjerne knivbolten (P1), hold godt tak i viften (P4), og med den nøkkelen som følger med, løs opp knivbolten ved å skru den "mot urviseren".
5. Fjern knivbolten (P1), kniven (P2), skivene (P3) og viften (P4).
6. Undersøk nøye for skade og rengjør dersom nødvendig.

### Montering av kniv og vifte

- Før bruk alltid se på kniv og bolt for å undersøke at de ikke er slitte eller ødelagte.
  - Bruk aldri mer enn 2 skiver for å justere klippehøyden.
  - Skivene kan bare monteres mellom kniv og viften og aldri mellom kniv og bolt.
1. Vær sikker på at viften er i riktig posisjon.
  2. Plaser skivene (P3) oppå viften og vær sikker på at tappene (P5) er på plass i hullene (P6).

3. Plaser kniven (P2) oppå skivene (P3) og vær sikker på at tappene (P7) er på plass i hullene (P8) i bladet og vær sikker på at kniven er i den stillingen som er vist i figur P.
4. Plasser knivbolten (P1) gjennom senterhullet på kniven (P9).
5. Skru til for hånd "med urviseren".
6. Hold godt tak i viften og skru til knivbolten med den nøkkelen som følger med.

## Tennplugg

En tennplugg som er tilsølt av olje eller sot gjør startung vanskelig og reduserer motorens effektivitet. Ta ut tennpluggen fra tid til annen og rengjør og juster den når nødvendig.

Gapinnstilling 0,028 – 0,031".

Ta ikke ut tennpluggen mens motoren er varm.

Tennpluggen må ikke sandblåses når den rengjøres.

## Rengjøring av luftfilteret

- Q1 – Luftkanal
- Q2 – Luftrenserdel
- Q3 – Filter
- Q4 – Låsetapper
- Q5 – Luftrenserdeksel

Motoren må aldri kjøres uten filter eller med skittent filter. Dette vil i stor grad redusere motorens effektivitet og føre til motorskade. Din gressklipper er utstyrt med en luftrenser. Følgende vedlikehold anbefales:

- Sjøkk filteret hver gang du skal bruke det.
- Rengjør etter 25 timer eller oftere når det brukes i støvete områder.
- Bytt ut filteret etter 200 timer.

1. Trykk ned låsetappene oppå luftrenserdekslet og fjern dekslet.
2. Sjekk at filteret er rent og i god stand.

Hvis filteret er skittent:

- Bank luftfilteret flere ganger på et hardt underlag for å fjerne skitt, eller blås trykkluft gjennom luftfilteret fra den rene siden som vender mot motoren. Forsøk aldri å børste av skitten. Børsting vil drive skitten inn i fibrene.
- 3. Tørk skitt fra luftrenserdelen og dekslet med en fuktig fille. Vær forsiktig slik at skitt ikke kommer inn i luftkanalen som fører til forgassereren.
- 4. Sett filteret og luftrenserdekslet på plass igjen.

## Stell av plenklipperen din

Dersom plenklipperen ikke skal brukes på en stund anbefales det at du gjør følgende etter bruk:

1. Stans motoren.
2. Lukk bensinkranen helt. (K)
3. Start motoren på nytt.
4. Etter som motoren går tom for bensin, vil den stoppe. Vipp gressklipperen litt.
5. Så snart motoren har stoppet slipp løs "Brukeren tilstede" kontrollen.
6. Demonter tennpluggledningen.
7. Tøm tanken for bensin.

### Rengjøring

- **BRUK HANSKER**
  - Hold plenklipperen din ren - avkuttet gress som samles i luftinntakene, rundt motoren eller under dekselet kan føre til fare for brann.
  - Ikke rengjør med kjemikalier, inkludert bensin og oppløsningsmidler - noen av disse kan ødelegge viktige deler av plastikk.
1. Fjern gress fra undersiden med skrapen på knivnøkkelen eller et stykke av tre eller plast.
  2. Bruk en myk børste - fjern avkuttet gress fra rundt motoren og i alle luftinntakene.
  3. Ta av viften, se "Demontering og montering av kniv og vifte", og rengjør med en myk børste.
  4. Tørk av overflaten på plenklipperen med en tørt klut.

### Transport av din gressklipper

- Sett bensinkranen i "Av"-stilling og transporter gressklipperen med motoren i horisontal stilling.
- Gressklipperen må aldri transporteres med motoren i gang.

### Oppbevaring av plenklipperen

Sett bensinkranen i "Av"-stilling og oppbevar gressklipperen på et kjølig, tørt, fuktighetssikkert og trygt sted med motoren i horisontal stilling.

Gi plenklipperen din en service etter du har klippet plenen for siste gang hvert år:-

1. Stans motoren.
2. Lukk bensinkranen helt. (K)
3. Start motoren på nytt.
4. Etter som motoren går tom for bensin, vil den stoppe. Vipp gressklipperen litt.
5. Så snart motoren har stoppet slipp løs "Brukeren tilstede" kontrollen.
6. Demonter tennpluggledningen.
7. Tøm tanken for bensin.
8. Ta av ledningen fra tennpluggen og ta ut tennpluggen. Hell en teskje (5 ml) olje gjennom hullet til tennpluggen. Trekk startshåndtaket 2 eller 3 ganger. Dette vil fordele oljen i de indre overflatene i motoren. Kontroller og rengjør tennpluggen og skru den tilbake på plass. Dersom du trenger en ny tennplugg, kontakt ditt lokale, godkjente serviceverksted/ forhandler. Ikke sett ledningen til tennpluggen på plass igjen.
9. Rengjør luftfilteret. Se "Rengjøring av luftfilteret".
10. Forny kniven dersom den er sprukket, ødelagt eller bøyet. Forny knivbolten dersom nødvendig. Se "Demontering & montering av kniv og vifte" for fullstendig instruksjon.
11. Bruk bare originale Flymo deler og tilbehør spesifisert for dette produktet.
12. Rengjør plenklipperen din ordentlig. Se "Rengjøring".
13. Ditt lokale, godkjente serviceverksted/ forhandler vil utføre service eller reparasjon dersom det trengs.
14. Oppbevar plenklipperen din på et kjølig, tørt, og sikkert sted.

## Råd om feilsøking

### Motoren vil ikke starte

1. Vær sikker på at "Brukeren tilstede" kontrollen holdes hardt mot øvre håndtak.
2. Sjekk at det er nok bensin på bensintanken og at bensinrøret er åpen.
3. Sjekk at chokespaken står i korrekt stilling: "Kjør"-stilling (N) – for varm motor, "Choke"-stilling (L) – for kald motor.
4. Motoren kan ha flømmet over. Ta ut og tørk tennpluggen.
5. Bensinblandingen kan være feil eller gammel. Skift bensin om nødvendig.
6. Kontroller at knivens festebolt sitter fast. En løs bolt kan forårsake problemer ved start av motoren.
7. Dersom motoren fremdeles ikke vil starte, ta av tennplugg kabelen og kontakt ditt lokale, godkjente servicesenter/forhandler.

### Dårlig flyt eller mangel på kraft

1. Demonter tennplugg ledningen.

2. Rengjør undersiden av dekkelet, luftfilteret, vifta, området rundt motoren og luftinntakene.
3. Sjekk at motorens chokespak står i "Kjør"-stilling. (N)
4. Bensinblandingen kan være feil eller bensinen dårlig. Skift om nødvendig.
5. Dersom plenklipperen fortsatt har dårlig flyt eller redusert kraft, demonter tennplugg ledningen og kontakt ditt lokale, godkjente servicesenter/forhandler.

### Unormalt stor vibrasjon

1. Demonter tennplugg kabelen.
2. Kontroller at kniven er montert riktig. Se avsnittet om 'Demontering og montering av kniv og vifte'.
3. Skift kniven dersom den er skadet eller slitt.
4. Bruk ikke plenklipperen dersom den fortsatt har unormale vibrasjoner. Ta av tennplugg ledningen og kontakt ditt lokale, godkjente servicesenter/forhandler.

## Reservevedler

### Blad

Delenummer.: 5119004-00

## Garanti

Hvis noen del skulle vise seg å være defekt grunnet produksjonsfeil i garantiperioden, vil Husqvarna UK Ltd. gjennom sine autoriserte servicereparatører stå for reparasjon eller bytte, vederlagsfritt for kunden, forutsatt at:

- a) Det meldes fra om feilen direkte til serviceverkstedet eller forhandler.
  - b) Det fremlegges kjøpsbevis.
  - c) Feilen ikke har oppstått på grunn av misbruk, vannskjøtsel eller feilaktig justering av brukeren.
  - d) Svikten skyldes alminnelig bruk og slitasje.
  - e) Maskinen ikke har vært ettersett eller reparert, tatt fra hverandre eller vært fingret med av personer som ikke er autorisert av Husqvarna UK Ltd..
  - f) Maskinen ikke har vært leid ut.
  - g) Maskinen er eid av den opprinnelige kjøperen.
  - h) Maskinen ikke har vært brukt kommersielt.
- \* Denne garantien er i tillegg til, og reduserer ikke på noen måte, kundens lovbestemte rettigheter.

Svikt av følgende grunner er ikke dekket, derfor er det viktig at du leser veiledningen i brukermanualen og forstår hvordan maskinen skal brukes og vedlikeholdes: **Svikt som ikke er dekket av garantien**

- \* Svikt som skyldes at det ikke ble meldt fra om feilen straks den ble oppdaget.
- \* Svikt som skyldes plutselig støt eller kollisjon.
- \* Svikt som følge av at maskinen ikke har vært brukt i overensstemmelse med veiledningen og anbefalingene i brukermanualen.
- \* Maskiner som har vært utleid dekkes ikke av denne garantien.
- \* Følgende liste over deler anses for å være slitedeler, og deres brukstid er avhengig av regelmessig vedlikehold. Derfor er disse normalt ikke dekket av garantien: kniver.
- \* **Advarsel!**  
Husqvarna UK Ltd. påtar seg intet ansvar under garantien for feil som helt eller delvis, direkte eller indirekte, har oppstått som følge av at nye deler eller ekstra deler er montert, som ikke er fabrikkert eller godkjent av Husqvarna UK Ltd., eller som følge av at maskinen på noen måte har vært modifisert.

## Miljøinformasjon

Husqvarna UK Ltd. produkter produseres i henhold til et miljøhåndteringssystem (Environmental Management System) (ISO 14001) som benytter, hvor det er praktisk mulig, komponenter som er fremstilt på en måte som tar mest mulig hensyn til miljøet, i henhold til selskapets retningslinjer og med mulighet for gjenvinning (resirkulering) når produktets brukstid er slutt.

- Emballasjen kan gjenvinnes, og deler av plast er merket (hvor det er praktisk mulig) for kategorisert gjenvinning.
- Det må vises hensyn overfor miljøet når et produkt skal kastes.
- Om nødvendig ta kontakt med lokale myndigheter for mer informasjon.

### KASTING AV DRIVSTOFF OG SMØREOLJER

- Bruk beskyttelsesklær når du håndterer drivstoff og smøremidler.
- Unngå kontakt med huden.
- Fjern (Tapp ut) bensin og motorolje før du transporterer produktet.
- Ta kontakt med lokale myndigheter angående informasjon om din nærmeste miljøstasjon/avfallsplass.



Brukt drivstoff/olje må IKKE kastes i husholdningsavfallet.



Avfallsdrivstoff/olje er skadelige, men kan gjenvinnes og skal kastes via godkjente systemer.



Brukt drivstoff/olje må IKKE kastes i vann.



Må IKKE brennes.

## EC KONFORMITETSERKLÆRING

Husqvarna AB, 561 82, Huskvarna, Sweden

Erklærer under vårt utelukkende ansvar at produktet/ene er:

Kategori.....**Bensin Gressklipper**

Type(s).....**GX560**

Serieidentifikasjon.....**Se Produktets Klassifiseringsetikett**

Byggeår.....**Se Produktets Klassifiseringsetikett**

i overensstemmelse med opprinnelige krav og bestemmelser i henhold til følgende EU-direktiver:

**2006/42/EC, 2004/108/EC, 2000/14/EC**

basert på de følgende gjeldende EU-harmoniserte standarder:

**EN 836, EN55012**

Maksimum  $L_{pA}$  (A-veiet lydtryknivå) i operatørstilling, tatt opp fra en prøve av ovennevnte produkt/er, korresponderer med nivået oppgitt i tabellen.

Maksimum veiet verdi for hånd-/armvibrasjon, målt i henhold til EN ISO 20643 på en prøve av ovennevnte produkt/er, korresponderende med verdien  $a_h$  oppgitt i tabellen.

2000/14/EC: Målt lydeffekt  $L_{WA}$  & garanterte lydeffektverdier er i henhold til tallene i tabellen.

Prosedyre for konformitetsvurdering.....Annex VI

Myndighet.....Intertek, Cleeve Road  
Leatherhead, Surrey  
KT22 7SB, England

Newton Aycliffe 13/5/2011

M.Bowden

Global Direktør FoU – Gå bak

Vokter av teknisk dokumentasjon



Type	GX560
Klippebredde (cm)	50.5
Klippeinnretningens rotasjonshastighet (rpm)	3100
Nominell kraft (kW)	3.0
Målt lydeffekt $L_{WA}$ (dB(A))	96
Garantert lydeffekt $L_{WA}$ (dB(A))	98
Nivå $L_{pA}$ (dB(A))	86.8
Usikkerhet $K_{pA}$ (dB(A))	2.5
Verdi $a_h$ ( $m/s^2$ )	3.3
Usikkerhet $K_{ah}$ ( $m/s^2$ )	1.5
Vekt (Kg)	16.5

Den indikerte nominelle motorkraften er gjennomsnittlig netto kraftytelse

(på spesifisert omdr/min.) på en typisk produksjonsmotor for motormodellen målt ifølge SAE-standard J1349 / ISO 1585. Masseproduserte motorer kan variere fra denne verdien. Faktisk motorkraft for motoren som er installert i sluttmaskinen, er avhengig av driftshastigheten, miljøforholdene og andre variable

## VAROTOIMENPITEET



Tämän ruohonleikkurin väärinkäyttö saattaa aiheuttaa vakavia vammoja käyttäjälle ja muille läsnäoleville! Varoituksia ja turvaohjeita täytyy noudattaa turvallisuussyistä ja ruohonleikkurin tehokkaan toiminnan varmistamiseksi. Ruohonleikkurin käyttöä on vastuussa tässä oppaassa sekä itse ruohonleikkurissa esiintyvien varoitusten- ja turvaohjeiden noudattamisesta.

### Koneessa olevien merkien selitykset



Varoitus



Lue käyttöohjeet huolellisesti varmistaaksesi, että olet ymmärtänyt mitä kaikki säädinivut tekevät.



Pidä ruohonleikkuri aina maassa ruohoa leikatessasi. Kiviä saattaa singota ilmaan, mikäli ruohonleikkuria kallistetaan tai nostetaan.



Varmista, ettei lähetyvillä ole muita ihmisiä. Älä käytä ruohonleikkuria, mikäli leikkausalueella on muita ihmisiä etenkin lapsia tai lemmikkieläimiä.



Ole varovainen leikkuuterien kanssa. Älä laita käsiä tai jalkoja pyörivän terän lähetyville.



Irrota sytytystulppa, ennen kuin ryhdyt huoltamaan, puhdistamaan tai säätämään ruohonleikkuria, tai jos aiot jättää sen vartioimatta vähäksikään aikaa.)



Terä jatkaa pyörimistä leikkurin sammuttua. Odota kunnes kaikki osat ovat pysähtyneet täysin, ennen kuin kosket niihin.

### Yleistä:

1. Älä koskaan anna lasten tai sellaisten henkilöiden, jotka eivät ole perehtyneet näihin käyttöohjeisiin, käyttää tätä ruohonleikkuria. Paikalliset määräykset saattavat rajoittaa käyttäjän iän.
2. Lopeta koneen käyttö, kun muita ihmisiä etenkin lapsia tai lemmikkejä on lähellä.
3. Käytä ruohonleikkuria ainoastaan näiden käyttöohjeiden mukaisesti ja ohjeissa esitettyihin käyttötarkoituksiin.
4. Älä koskaan käytä ruohonleikkuria väsyneenä, sairaana tai alkoholin, huumeiden tai lääkkeiden vaikutuksen alaisena.
5. Ruohonleikkuria käyttävä henkilö on vastuussa muille ihmisille tai heidän omaisuudelleen tapahtuneista vahingoista tai vaaratilanteista.

### Bensiini ja turvallisuus

#### VAROITUS - Bensiini on erittäin helposti syttyvää

- Käytä suojaavia vaatteita poltto- ja voiteluaineita käsitellessäsi.
  - Vältä kosketusta ihon kanssa.
  - Tyhjänsä bensiiniä ja moottoriöljyä ennen kuin kuljetat konetta.
  - säilytä polttoainetta viileässä paikassa ja sille tarkoitettussa säiliössä. Muoviasiat eivät yleensä ole sopivia tähän tarkoitukseen.
  - lisää polttoainetta ainoastaan ulkona äläkä tupakoi samaan aikaan.
  - lisää polttoaine ENNEN kuin käynnistät moottorin. Älä koskaan avaa polttoainesäiliön korkkia tai lisää polttoainetta moottorin käydessä tai sen ollessa kuuma.
  - jos polttoainetta läikkyä, älä käynnistä moottoria, vaan siirrä kone pois läikkymisalueelta ja varo, ettei minkäänlaina kipinästä syytä, ennen kuin bensiiniin höyryt ovat haihtuneet.
  - varmista, että kaikki polttoainesäiliöt ja säilytysastioiden korkit ovat kunnolla kiinni.
  - siirrä kone pois täyttöalueelta, ennen kuin käynnistät sen.
  - Säilytä polttoaine viileässä paikassa ja etäällä avotulesta.
11. Sammuta moottori ennen kuin työnnät ruohonleikkuria muun kuin nurmialueen ylitse ja kuljettaessasi sitä leikkausalueelle ja pois sieltä.
  12. Älä koskaan käytä ruohonleikkuria, jos suojat ovat rikkoutuneet, tai jos ne puuttuvat.
  13. Älä käytä moottoria liinopeudella äläkä muuta säädinasetuksia. Liika nopeus on vaarallista ja lyhentää ruohonleikkurin käyttöikää.
  14. Vapauta kaikki terän kytkimet ja käyttökytkimet ennen käynnistämistä.
  15. Pidä kädet ja jalat aina pois leikkureiden lähetyviltä ja etenkin moottoria käynnistettäessä.
  16. Älä kallista ruohonleikkuria moottorin käydessä, paitsi silloin kun käynnistät tai sammutat sen. Kallista näissäkin tapauksissa vain sen verran mikä on välttämätöntä ja nosta vain käyttäjämästä poispäin olevaa osaa.
  17. Älä koskaan nosta ruohonleikkuria tai kannaa sitä moottorin käydessä.
  18. Sytytystulpan vaijeri saattaa olla kuuma, käsittele sitä varoen.
  19. Älä korjaa tai huolla ruohonleikkuria, jos moottori on kuuma.
  20. Sammuta moottori ja odota kunnes terä on pysähtynyt:
    - ennen kuin jätät ruohonleikkurin vartioimatta.
  21. Sammuta moottori vapauttamalla käyttökytkin, odota kunnes terä on pysähtynyt, irrota sytytystulpan johto ja odota kunnes moottori on jäähtynyt:
    - ennen kuin lisää polttoainetta;
    - ennen kuin tarkistat tukoksen;
    - ennen kuin tarkistat tai puhdistat leikkuria tai työskentelet sen parissa;
    - jos osut johonkin. Älä käytä ruohonleikkuria uudestaan, ennen kuin olet varmistanut, että se on turvallinen käyttää;
    - jos ruohonleikkuri alkaa täristä normaalista poikkeavasti, tarkista se välittömästi. Kova tärinä saattaa aiheuttaa henkilövahinkoja.

### Esivalmistelut

1. Käytä aina tukevia jalkineita ja pitkälahkeisia housuja ruohonleikkuria käyttäessäsi. Älä käytä laiteita paljain jaloin tai avosandaalit jalassa.
2. Kuulonsuojainten käyttö on suositeltavaa.
3. Varmista, ettei nurmikolla ole keppejä, kiviä, luuta, johtoja tai muita roskaa, jotka voivat sinkoutua ruohonleikkurin teristä.
4. Tarkista kone kulumiselta ja vahingoilta ja korjaa tarpeen mukaan, ennen kuin ryhdyt käyttämään sitä ja jos siihen on kohdistunut iskuja.
5. Vaihda kuluneet tai vahingoittuneet osat sekä kaikki kiinnittimet tasapainon varmistamiseksi.
6. Vaihda viallinen äänenvaimennin uuteen.

### Käyttö

1. Älä käytä moottoria suljetussa paikassa, jonne voi kerääntyy pakokaasua (hiilimonoksidia).
2. Käytä ruohonleikkuria ainoastaan päivänvalossa tai hyvässä keinovalaisuksessa.
3. Vältä ruohonleikkurin käyttöä märällä nurmikolla.
4. Ole varovainen märällä nurmikolla, sillä saatat liukastua.
5. Ole erityisen varovainen rinteissä ja käytä luistamattomia jalkineita.
6. Leikkaa rinteet sivusuunnassa, ei ylös- ja alasuunnassa.
7. Ole erityisen varovainen vaihtaessasi suuntaa rinteissä.
8. Penkereiden ja rinteiden leikkaaminen voi olla vaarallista. Älä käytä ruohonleikkuria **penkereissä** tai **yrjissä** rinteissä.
9. Älä kävele takaperin leikatessasi nurmikkoa, sillä saatat kompastua. Älä koskaan juokse.
10. Älä koskaan leikkaa nurmikkoa vetämällä leikkuria itseäsi kohti.
11. Sammuta moottori ennen kuin työnnät ruohonleikkuria muun kuin nurmialueen ylitse ja kuljettaessasi sitä leikkausalueelle ja pois sieltä.
12. Älä koskaan käytä ruohonleikkuria, jos suojat ovat rikkoutuneet, tai jos ne puuttuvat.
13. Älä käytä moottoria liinopeudella äläkä muuta säädinasetuksia. Liika nopeus on vaarallista ja lyhentää ruohonleikkurin käyttöikää.
14. Vapauta kaikki terän kytkimet ja käyttökytkimet ennen käynnistämistä.
15. Pidä kädet ja jalat aina pois leikkureiden lähetyviltä ja etenkin moottoria käynnistettäessä.
16. Älä kallista ruohonleikkuria moottorin käydessä, paitsi silloin kun käynnistät tai sammutat sen. Kallista näissäkin tapauksissa vain sen verran mikä on välttämätöntä ja nosta vain käyttäjämästä poispäin olevaa osaa.
17. Älä koskaan nosta ruohonleikkuria tai kannaa sitä moottorin käydessä.
18. Sytytystulpan vaijeri saattaa olla kuuma, käsittele sitä varoen.
19. Älä korjaa tai huolla ruohonleikkuria, jos moottori on kuuma.
20. Sammuta moottori ja odota kunnes terä on pysähtynyt:
  - ennen kuin jätät ruohonleikkurin vartioimatta.
21. Sammuta moottori vapauttamalla käyttökytkin, odota kunnes terä on pysähtynyt, irrota sytytystulpan johto ja odota kunnes moottori on jäähtynyt:
  - ennen kuin lisää polttoainetta;
  - ennen kuin tarkistat tukoksen;
  - ennen kuin tarkistat tai puhdistat leikkuria tai työskentelet sen parissa;
  - jos osut johonkin. Älä käytä ruohonleikkuria uudestaan, ennen kuin olet varmistanut, että se on turvallinen käyttää;
  - jos ruohonleikkuri alkaa täristä normaalista poikkeavasti, tarkista se välittömästi. Kova tärinä saattaa aiheuttaa henkilövahinkoja.

## VAROTOIMENPITEET

### Kunnossapito ja varastointi

1. Vaara: Älä koske pyörivään terään (tertiin).
2. Turvallisuussyistä on syytä varmistaa, että kaikki mutterit, pultit ja ruuvit ovat tiukasti kiinni.
3. Vaihda kuluneet tai vahingoittuneet osat turvallisuussyistä.
4. Käytä ainoastaan tähän koneeseen tarkoitettuja varateriä, terän pultteja, välilevyjä ja hihnapyörää.
5. Jos polttoainesäiliössä on polttoainetta, älä säilytä ruohonleikkuria sisätiloissa, missä höyryt saattavat

- joutua kosketukseen avotulen tai kipinöiden kanssa.
6. Anna moottorin jäähtyä, ennen kuin siirrät sen suljettuun varastoon.
7. Vähentääksesi tulipalon vaaraa pidä moottori, äänenvaimennin, akkutila ja polttoaineen säilytysalue puhtaana ruuhosta, lehdistä ja ylimääräisestä rasvasta.
8. Jos polttoainesäiliö täytyy tyhjentää, tee se ulkotiloissa.
9. Säilytä viileässä, kuivassa paikassa poissa lasten ulottuvilta. Älä säilytä ulkona.

## Kokoaminen (ilman pyöriä)

### Työntöaisan alaosan kiinnitysleikkuriin

1. Syötä alemman kahvaan (A1) kiinnitetty koukkuosa (A2) ohjaimen (A3) keskireiän kautta puoliväliliin nuolen (A4) osoittamaan suuntaan.
2. Pidä koukkuosa (A2) ohjaimen keskikolossa ja käännä alemmaa kahvaa (A1) myötäpäivään 90° siten, että molemmat alemman kahvan jalukset asettuvat paikoilleen kupukannattimien väliin.
3. Asenna tapit (B1) ja kiinnitä pidikkeiden (B2) avulla.

Ylemmän kahvan asennus alempaan kahvaan **ENNEN** ylemmän kahvan asettamista alempaan kahvaan tasapainoita alempi kahva nostamalla koukkuosa (C1) 'pysäköintiasentoon' (C2).

1. Varmista että kuristuslapan vipu on vasemmalla puolella takaapäin katsottuna.
2. Yhdistä aisan ylä- ja alaosa (D). Aseta pultit (D1), aluslevyt (D2) paikoilleen ja kiristä ne nupuilla (D3).
3. Kiinnitä johdot kahvoihin johdonpidikkeillä (kuuluu toimitukseen) ja varmista, että johdot eivät jää puristukseen ylä- ja alakahvan väliin.

## Kokoaminen (pyörien kanssa)

1. Kiinnitä alempi kahva (E1) kanteen niin, että alemman kahvan tappi (E2) on kuten kuvassa E on esitetty.
2. Kiinnitä pyörät (F1) pyöränrunkoon (F2) niin, että pyörän pidikkeet (F3) ovat kuten kuvassa F on esitetty.
3. Kiinnitä pyöränrunko (G1) kanteen niin, että alemman kahvan pultit (G2), pieni aluslevy (G3), suuri aluslevy (G4) ja lukkomutteri (G5) ovat kuten kuvassa G on esitetty.

4. Laita alemmat teleskoopipivarrat (H1) ylempien teleskoopipivarsien (H2) sisään ja kiinnitä paikoilleen tapilla (H3) ja sokalla (H4), kuten kuvassa H on esitetty.

Kiinnitä ylempi kahva alempaan kahvaan yllä olevassa kohdassa 'Kokoaminen (ilman pyöriä)' annettujen ohjeiden mukaisesti.

## Kahva-asento

Kahva-asentoa voidaan säätää ohjainta ja koukkuosaa käyttäen. Kahva-asennon säätö

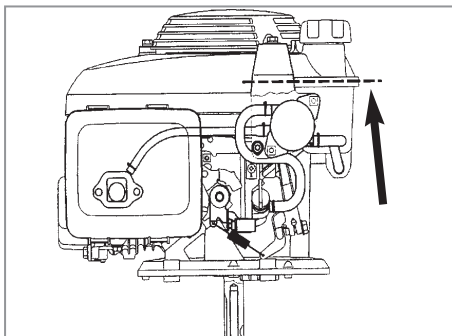
1. Nosta koukkuosa (C1)

2. Asenna tarvittavalla tavalla:  
(C2) - 'Pysäköintiasento'  
(C3) - 'Leikkuuasento'.

## Polttoaine

Käytä tuoretta, puhdasta lyijytöntä ajoneuvoille tarkoitettua bensiiniä.

Älä täytä säiliötä suljetussa tilassa moottorin ollessa kuuma, kun tupakoit tai avotulen läheisyydessä. Puhdista polttoainesäiliön täyttöaukon korkki huolellisesti ennen täyttöä, jotta lika ei pääse polttoainejärjestelmään. Säilytä polttoainetta viileässä paikassa poissa avotulen läheisyydestä. Älä täytä säiliötä moottorin käydessä. Täyttyessäsi polttoainesäiliötä käytä suppiloa, jossa on puhdas suodatin. Älä koskaan täytä säiliötä aivan täyteen, ainoastaan täyttöaukon kaulaan saakka. Täyttyessäsi tyhjää säiliötä tai jos moottori on sammunut, lisää vähintään 400 cc polttoainetta (kuvan osoittamaan rajaan saakka) varmistaaksesi, että polttoainepumppu saa riittävän määrän polttoainetta moottorin käynnistämiseen. Kaasutin on toimintavalmis. Muita säätöjä ei normaalisti tarvita.



## Öljy

Käytä 4-tahtista ajoneuvoille tarkoitettua öljyä. SAE 10W-30 suositellaan yleiskäyttöön.

Täytä öljyllä Moottorin käyttöoppaassa annettujen ohjeiden mukaisesti.

## Käynnistys ja sammutus

### Käynnistäminen

1. Siirrä työntöaisa asentoon (C2).
2. Kytke sytytystulpan johto (J).
3. Avaa polttoainehana (K).
4. Siirrä kuristusläpän vipu ala-asentoon (L), kun käynnistät leikkurin kylmänä ja keskiasentoon (N), jos kone on jo ollut käynnissä.
5. Vedä ja pidä käyttäjän kytintä painettuna tukevasti yläkahvaa vasten.
6. Aseta oikea jalka tukevasti kannen päälle ja ota kiinni alahakhan yläosasta vasemmalla kädellä. Kallista leikkuria itseäsi kohti (M). Näin varmistat, että leikkuri on tukevassa asennossa, kun käynnistät sen eikä nurmikoon muodostu ympyrää.
7. Vedä hitaasti käynnistyskahvasta kunnes tuntuu vastus. Palauta hitaasti kahva alkuasentoon.

8. Vedä voimakkaammin kahvaa itseäsi kohti, narun täyteen pituuteen.
9. Anna moottorin saavuttaa täyden kierroslukunsa, ja laske leikkuri varovasti maahan.
10. Kun moottori on lämmentynyt, varmista että säätövipu on normaali asennossa (N).

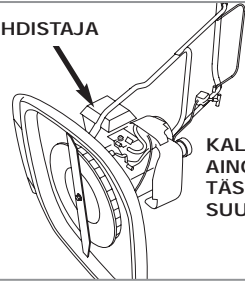
### Ruohonleikkurin pysäyttäminen

- Leikkuuterä jatkaa pyörimistä sen jälkeen kun moottori on kytketty pois päältä; pyörivät leikkuuterät voivat aiheuttaa loukkaantumisen
1. Vapauta käyttäjän kytkin.
  2. Kallista ruohonleikkuria hieman moottorin sammussa. Tämä estää ympyrän leikkaamisen ruoohon.
  3. Laske leikkuri maahan kun moottori on pysähtynyt.
  4. Siirrä työntöaisa Seisonta asentoon (C2).
  5. Sulje polttoainehana (K).

## TÄRKEÄÄ

Ennen kuin ryhdyt huoltamaan koneen alapuolta, sulje polttoainehana ja anna moottorin käydä kunnes se pysähtyy, irrota sytytystulpan letku ja **KALLISTA KONE KYLJELLEEN, NIIN ETTÄ ILMANPUHDISTAJA ON YLIMPÄNÄ.**

### ILMANPUHDISTAJA



**KALLISTA  
AINOASTAAN  
TASSA  
SUUNNASSA**

## Nurmen leikkaaminen

- Tarkasta leikkuuterien ja pulttien kuluneisuus ja mahdolliset vauriot ennen käyttöä.
- 1. Aseta kahva leikkuuasentoon (C3)
- 2. Leikkaa ruoho kaksi kertaa viikossa kasvukauden aikana. Nurmikko kärsii, jos siitä leikataan kerralla yli kolmasosa sen kasvusta.
- Pidä kädet ja jalat turvallisen matkan päässä leikkuuterästä; pyörivää terää ei voi nähdä.
- Penkereiden ja viettävien rinteiden leikkuu voi olla

- vaarallista. Älä käytä leikkuria viettävillä rinteillä.
- Käytä ruohonleikkuria aina tasaisella alustalla, ja rinteessä ollessasi seisoo sen yläpuolella niin, että sytytystulppa on ylimpänä estääksesi voiteluöljyä valumasta sylinteriin.
- Älä käytä ruohonleikkuria rinteissä, jotka ovat märkiä tai joiden kallistuskulma on yli 45 astetta.
- Älä koskaan työnnä ruohonleikkuria rinnettä ylöspäin.

## Leikkauskorkeuden säätö

- Älä koskaan käytä 2 useampaa leikkuukorkeusvälikettä.
  - 4. Välikkeet voidaan asettaa vain leikkuuterän ja puhaltimen välille, ei koskaan leikkuuterän ja pultin välille (P)
1. Varmista, että turvakytin vapautetaan, kun moottori on lakannut pyörimästä - irrota sytytystulpan johto.
  2. Sulje polttoainehana (K). Käännä leikkuri kyljelleen.
  3. Irrota terän pultti (P1) ja terä (P2) kuten kohdassa

- ’Terän ja tuuletin irrottaminen’ on neuvottu.
4. Halutessasi lyhyen nurmen lisää välikkeitä (M3) maksimimäärään 2 saakka.
  5. Halutessasi pitemmän nurmen poista haluttu määrä välikkeitä (M3).
  6. Kiinnitä terä pakoilleen kuten kohdassa ’Terän ja tuuletin kiinnittäminen’ on neuvottu.

## Leikkuuterän ja puhaltimen irrottaminen ja asennus

Käsittele leikkuuterää aina varovasti, sillä terävät reunat voivat aiheuttaa tapaturman. **KÄYTÄ HANSIKKAITA.** Sytytystulpan johto voi olla kuumentunut - käsittele sitä varoen.

Leikkuuterän ja puhaltimen irrottaminen

- Vaihda metallinen leikkuuterä riippumatta sen kunnosta aina 50 käyttötunnin tai 2 vuoden käytön jälkeen riippuen siitä kumpi niistä on täyttynyt ensimmäiseksi.
  - Jos leikkuuterä on murtunut tai vaurioitunut, vaihda se uuteen.
1. Varmista että turvakytin on vapautettu moottorin

pysähtymisen jälkeen, ja että leikkuuterä on lakannut pyörimästä - irrota sytytystulpan johto.

2. Sulje polttoainehana (K).
3. Käännä ruohonleikkuri kyljelleen niin, että ilmanpuhdistaja on ylimpänä (kts. kuva yläpuolella).
4. Irrottaaksesi leikkuuterän pultin (P1) pidä tukevasti kiinni puhaltimesta (P4) ja löysää puittia mutteriavaimella vastapäivään kääntämällä.
5. Poista leikkuuterän pultti (P1), leikkuuterä (P2), välikkeet (P3) ja puhallin (P4).
6. Tarkasta mahdollisten vaurioiden varalta ja puhdistusta tarvittaessa.



### Leikkuuterän ja puhaltimen asennus

- Tarkasta leikkuuterien ja pulttien kuluneisuus ja mahdolliset vauriot ennen käyttöä.
  - Älä käytä koskaan 2 useampaa korkeusväliketä.
  - Välikkeet on aina sijoitettava leikkuuterän ja puhaltimen välille; niitä ei saa koskaan sijoittaa leikkuuterän ja pultin välille.
1. Varmista, että puhallin on asennettu oikealla tavalla.
  2. Aseta välikkeet (P3) puhaltimeen varmistaen, että tapit (P5) on asetettu reikiin (P6).

3. Aseta leikkuuterä (P2) välikkeisiin (P3) varmistaen, että tapit (P7) on asetettu leikkuuterän reikiin (P8) ja varmistaen, että leikkuuterä on asetettu kuvan P osoittamalla tavalla.
4. Aseta leikkuuterän pultti (P1) leikkuuterän keskimmäisen reiän (P9) läpi.
5. Kiristä käsin myötäpäivään.
6. Pidä tukevasti kiinni puhaltimesta ja kiristä leikkuuterän pultti mukana toimitettua mutterivainta käyttämällä.

## Sytytystulppa

Öljyinen tai karstoittunut sytytystulppa vaikeuttaa käynnistämistä heikentäen moottorin suorituskykyä. Irrota sytytystulppa ajoittain puhdistusta ja säätää varten.

Kärkiväli 0,071 – 0,078 cm.

Älä irrota sytytystulppaa moottorin ollessa kuuma. Älä puhdistaa sytytystulppaa hiekkapuhaltamalla.

## Ilmansuodattimen puhdistaminen

Q1 - Ilmakanava, Q2 - Ilmanpuhdistimen runko, Q3 - Suodatin, Q4 - Kiinnittimet, Q5 - Ilmanpuhdistimen suojakansi

Älä koskaan käynnistä moottoria ilman suodatinta tai suodattimen ollessa liikainen. Tämä heikentää moottorin suorituskykyä ja vahingoittaa sitä. Tässä ruohonleikkurissa on ilmanpuhdistin.

Ilmanpuhdistimen kunnossapito:

- Tarkista suodatin aina ennen jokaista käyttöä.
- Puhdista 25 tunnin välein tai useammin pölyisissä olosuhteissa.
- Vaihda suodatin 200 tunnin välein.

1. Paina ilmanpuhdistimen suojakannessa olevia kiinnittämiä ja irrota kansi.
  2. Tarkista, että suodatin on puhdas ja ehjä.
- Suodattimen ollessa liikainen:** -
- Koputa ilmansuodatinta kovaa pintaa vasten useita kertoja, jotta lika irtoaa tai puhalla paineilmaa ilmansuodattimen läpi moottorin vastaiselta puolelta. Älä irrota likaa harjalla, harjaus jättää lian kuituihin.
  - 3. Pyyhi lika ilmanpuhdistajan rungosta ja suojuksen päältä kostealla rievulla. Varo lian joutumista ilmajonon pitkin kaasuttimeen.
  - 4. Laita suodatin ja ilmanpuhdistimen suojus takaisin paikoilleen.

## Leikkurin huolto

Jos et aio käyttää ruohonleikkuria pitkähkön aikaan, suosittelemme seuraavia toimenpiteitä:

1. Sammuuta moottori.
2. Sulje polttoainehana. (K)
3. Käynnistä moottori uudestaan.
4. Polttoaineen loppuessa moottori alkaa pysähtyä; kallista ruohonleikkuria vähän.
5. Moottorin pysähtyttyä, vapauta käyttäjän kytkin.
6. Irrota sytytystulpan johto.
7. Tyhjennä polttoainesäiliö.

**Puhdistus**

### • KÄYTÄ HANSIKKAITA

- Pidä ruohonleikkuri puhtaana, sillä ilmareikiin, moottorin ympärille tai alustan alle tarttunut ruoho voi aiheuttaa tulipalovaaran.
  - Älä käytä puhdistuksessa kemiallisia aineita kuten bensiniä tai liuottimia, sillä ne saattavat vaurioittaa tärkeitä muoviosia.
1. Poista ruoho alustan alta käyttämällä puutikkua tms.
  2. Poista ruoho pehmeän harjan avulla moottorin ympäriltä ja ilmarei'istä.
  3. Irrota puhallin (ks. jakson 'Leikkuuterän irrottaminen ja asennus' antamia ohjeita) ja puhdista se pehmeän harjan avulla.
  4. Pyyhi ruohonleikkurin pinta kuivalla kangasrievulla.

**Ruohonleikkurin kuljettaminen**

- Käännä polttoainehana pois-(off)asentoon ja kuljeta leikkuria vaakatasossa.
- Sammuta leikkuri aina kuljetuksen ajaksi.

**Ruohonleikkurin säilyttäminen**

Käännä polttoainehana pois-(off)asentoon ja säilytä leikkuria vaakatasossa viileässä, kuivassa, kosteuseristetyssä ja turvallisessa paikassa.

Huolla ruohonleikkuri kauden viimeisen leikkuun jälkeen seuraavalla tavalla:

1. Sammuuta moottori.
2. Sulje polttoainehana. (K)
3. Käynnistä moottori uudestaan.
4. Polttoaineen loppuessa moottori alkaa pysähtyä; kallista ruohonleikkuria vähän.
5. Moottorin pysähtyttyä, vapauta käyttäjän kytkin .
6. Irrota sytytystulpan johto.
7. Tyhjennä polttoainesäiliö.
8. Poista sytytystulpan johto ja sytytystulppa. Kaada teelusikallinen (5 ml) öljyä sytytystulpan reiän läpi. Vedä käynnistyskahvasta 2-3 kertaa. Tämä levittää öljyn moottorin sisäpinnoille. Tarkasta ja puhdista sytytystulppa ja aseta se paikoilleen. Jos tarvitset uuden tulpan, ota yhteys paikalliseen - kauppiaseeseen. Älä uudelleenliitä sytytystulpan johtoa.
9. Puhdista ilmasuodatin. Ks. jakson 'Ilmansuodattimen puhdistus' antamia ohjeita.
10. Vaihda leikkuuterä uuteen, jos se on murtunut, vaurioitunut tai taipunut. Vaihda leikkuuterän pultti uuteen tarvittaessa. Ks. jakson 'Leikkuuterän ja puhaltimen irrottaminen ja asennus' antamia yksityiskohtaisia ohjeita.
11. Käytä vain alkuperäisiä tätä tuotetta varten määriteltäjä Flymo-varaosia ja tarvikkeita.
12. Puhdista ruohonleikkuri perinpoihin. Ks. jakson 'Puhdistus' antamia ohjeita.
13. Paikallinen -palvelupiste on valmis suorittamaan tarvittavat huolto- tai korjaustoimet.
14. Säilytä ruohonleikkuria viileässä, kuivassa ja turvallisessa paikassa.

## Vianetsintäohjeet

### Moottori ei käynnisty

1. Varmista, että käyttäjän kytkin on puristettu tukevasti yläkahvaa vasten.
2. Tarkista, että polttoainesäiliössä on riittävästi polttoainetta ja että polttoainehana on auki.
3. Tarkista, että kuristuslapan vipu on oikeassa asennossa: ala-asennossa (N) leikkurin ollessa kuuma ja keskiasennossa (L), jos kone on ollut käynnissä.
4. Moottori on 'saanut liikaa', irrota ja kuivaa sytytystulppa.
5. Vanha polttoaine - vaihda.
6. Tarkasta terän pultin kiinnitys, löysä pultti voi vaikeuttaa käynnistystä.
7. Jos moottori ei käynnisty, irrota sytytystulpan johto ja kysy neuvoa paikalliselta -kauppiailta.

### Huono juoksevuus tai vähäinen teho

1. Irrota sytytysjohto.
2. Puhdista kuومان alapuoli, ilmanpuhdistin, puhallin sekä moottorin ja ilmanottoaukkojen ympäristö.
3. Katso että moottorin säätövipu on normaaliasennossa.
4. Vanhatai väärä polttoaineseos - vaihda.
5. Jos heikko juoksevuus tai tehon vähyys jatkuvat, irrota sytytystulpan johto ja ota yhteys paikalliseen -kauppiaseen

### Liiallinen tärinä

1. Irrota sytytystulpan johto.
2. Katso että terä on kunnolla kiinni. Kts. 'Terän ja puhaltimen irrotus ja kiinnitys'.
3. Vaida terä, jos se on vaurioitunut tai kulunut.
4. Jos tärinä jatkuu, lopeta leikkurin käyttö. Irrota sytytystulppa ja kysy neuvoa -kauppiailta.

## Vaihto-osat

### Terä

Osanumero.:

5119004-00

## Takuu & takuutodistus

Jos jokin osa osoittautuu vialliseksi valmistusvirheen takia takuujan sisällä, Husqvarna UK Ltd. korjaa vian tai vaihtaa uuteen valtuutetussa huoltoliikkeessä maksutta asiakkaalle edellyttäen, että:-

- a) viasta ilmoitetaan suoraan valtuutetulle korjaamolle;
- b) ostotodistus esitetään;
- c) vika ei johdu väärinkäytöstä, laiminlyömisestä tai käyttäjän suorittamista vääristä säädöistä;
- d) vika ei johdu normaalista kulumisesta;
- e) ruohonleikkuria ei ole huoltanut tai korjannut, purkanut tai muuten käsitellyt kukaan muu kuin Husqvarna UK Ltd. valtuuttama henkilö;
- f) ruohonleikkuria ei ole vuokrattu;
- g) ruohonleikkurin omistaa sen alkuperäinen ostaja;
- h) ruohonleikkuria ei ole käytetty kaupallisiin tarkoituksiin.

\* Kulutuskaupan osalta noudatetaan lisäksi jälleenmyyjän ja kuluttajan välillä kuluttajasuojalain säännöksiä.

Seuraavista johtuvat viat eivät kuulu takuun piiriin, joten on tärkeää, että luet Käyttöoppaassa annetut ohjeet ja ymmärrät kuinka konetta käytetään ja huolletaan:

### Takuu ei kata seuraavia:

- \* Ilmoittamatta jätetystä häiriöstä aiheutuneet viat
- \* Yhtäkkisestä iskusta aiheutuneet viat..
- \* Käyttöoppaassa annettujen ohjeiden ja suositusten laiminlyömisestä johtuvat viat.
- \* Vuokrakäytössä olevia ruohonleikkureita.
- \* Seuraavassa luetellut osat luokitellaan kuluviksi osiksi ja niiden kesto riippuu huollosta, joten ne eivät yleensä ole korvattavissa takuun puitteissa: terät.

### \* HUOM!

Husqvarna UK Ltd. takuu ei kata sellaisia vahinkoja, jotka johtuvat suoraan tai epäsuoraan sellaisten varaosien tai lisäosien käytöstä, jotka eivät ole Husqvarna UK Ltd. valmistamia tai sen hyväksymiä tai vikoja, jotka johtuvat ruohonleikkuriin tehdyistä muutoksista.

## Ympäristötietoja

- Husqvarnain ulokäyttöön tarkoitetut tuotteet on valmistettu ISO 14001 -ympäristöjärjestelmän mukaisesti ja mikäli käytännöllisesti katsoen mahdollista, niissä käytettävät osat on valmistettu mahdollisimman ympäristöystävällisillä menetelmillä yhtiön menetelmien mukaisesti sekä niin, että ne voidaan kierrättää, kun tuote on kulunut loppuun.
- Pakkausmateriaalit ovat kierrätettäviä ja muoviosissa olevat kierrätysmerkinnät (mikäli käytännöllistä) ovat lajitte-lun mukaiset.
  - Ympäristö täytyy ottaa huomioon loppuunkuluneita tuotteita hävitettäessä.
  - Paikalliset viranomaiset antavat tarvittaessa hävittämistä koskevia lisätietoja.

### POLTTOAINEIDEN JA VOITELUÖLJYJEN HÄVITTÄMINEN

- Käytä suojaavia vaatteita poltto- ja voiteluaineita käsitellessäsi.
- Vältä kosketusta ihon kanssa.
- Tyhennä bensiini ja moottoriöljy ennen kuin kuljetat konetta.
- Paikallisilta viranomaisilta saat tietoja lähimmän kierrätyspisteen/jätteiden hävityspistein sijainnista.



ÄLÄ hävitä käytettyä polttoainetta/öljyä talousjätteiden mukana



Jätepolttoaineet/öljyt ovat vahingollisia, mutta ne voidaan kierrättää ja ne tulee hävittää hyväksytyillä menetelmillä noudattaen.



ÄLÄ hävitä käytettyä polttoainetta/öljyä vesistöön.



El saa polttaa

## EC VAATIMUSTENMUSTENMUKAISUUSVAKUUTUS

Husqvarna AB, 561 82, Huskvarna, Sweden

Vakuuttaa yksinvastuullisena, että saha(t):

Luokitus.....**Bensiini Ruohonleikkaaja**  
Tyyppi.....**GX560**  
Sarjan Tunnus.....**Katso Tuotteen Arvokilpeä**  
Valmistusvuos.....**Katso Tuotteen Arvokilpeä**

vastaa seuraavien EY-direktiivien vaatimuksia:

**2006/42/EC, 2004/108/EC, 2000/14/EC**

seuraavien yhtenäisten EU-standardien mukaisesti:

**EN 836, EN55012**

Yllä olevan tuotteen(tuotteiden) näytekappaleesta äänitetty suurin melutaso käyttäjän kohdalla vastaa taulukossa annettua **tasoa**.

Yllä olevan tuotteen(tuotteiden) näytekappaleesta EN ISO 20643 –säädöksen mukaisesti mitattu suurin käden/käsivarren tärinätaso vastaa taulukossa annettua **arvoa** a<sub>h</sub>.

2000/14/EY: Mitattu äänen voimakkuuden (L<sub>WA</sub>) ja taattu äänen voimakkuuden (L<sub>WA</sub>) arvot ovat taulukossa esitettyjen mukaiset.

Yhdenmukaisuuden arviointimenettelytavat..... Annex VI  
Notified Body..... Intertek, Cleeve Road  
Leatherhead, Surrey  
KT22 7SB, England

Newton Aycliffe 13/5/2011

M.Bowden

Globaali T&K-päällikkö - Kävele takana

Teknisten asiakirjojen hallussapitäjä



Tyyppi	<b>GX560</b>
Leikkausleveys (cm)	50.5
Leikkauslaitteen pyörimisnopeus (rpm)	3100
Nimellisteho kW	3.0
Mält lydeffekt L <sub>WA</sub> (dB(A))	96
Garantert lydeffekt L <sub>WA</sub> (dB(A))	98
<b>Taso</b> L <sub>BA</sub> (dB(A))	86.8
Epävarma K <sub>PA</sub> (dB(A))	2.5
<b>Arvo</b> a <sub>h</sub> (m/s <sup>2</sup> )	3.3
Epätarkkuus K <sub>ah</sub> (m/s <sup>2</sup> )	1.5
Paino (Kg)	16.5

Moottorin (tai moottorien) annettu nimellisteho on lähtötehon keskimääräinen nettoarvo (tyypillisen tuotantomootorin ilmoitetulla kierrosluvulla) moottorin mallille, mitattuna standardin J1349 / ISO 1585 mukaisesti. Massatuotetut moottorit saattavat poiketa tästä arvosta. Lopulliseen koneeseen asennetun moottorin todellinen moottoriteho riippuu käyttönopeudesta, ympäristön olosuhteista ja

# SÄKERHETSFÖRESKRIFTER



Om denna gräsklippare inte används på rätt sätt kan den vara farlig! Denna gräsklippare kan orsaka allvariga skador på den person som kör den och andra; du måste följa alla varningar och säkerhetsinstruktioner så att du använder den på det mest säkra och effektiva sättet. Det åligger den som använder gräsklipparen att följa alla varningar och säkerhetsinstruktioner i denna handbok och på gräsklipparen.

## Förklaring av symbolerna på din maskin



Varning



Läs användarinstruktionerna noggrant så att Du är säker på att Du förstår alla kontrollorgan och vad de är för.



Håll alltid gräsklipparen på marken när du klipper. Om du lutar eller lyfter gräsklipparen kan stenar kastas ut.



Håll åskådare på avstånd. Klipp inte när personer, speciellt barn, befinner sig inom klippområdet.



Var försiktig med tår och händer. Kom inte för nära det roterande bladet med dina tår eller händer.



Koppla bort tändstiftet innan du påbörjar underhållsarbete, rengöring, justering eller om du skall lämna gräsklipparen obevakad kortare eller längre tid.



Kniven fortsätter att rotera efter att maskinen har stängts av.  
Vänta tills samtliga maskinkomponenter har stannat helt innan du vidrör dem.

## Allmänt

- Låt aldrig barn eller personer som inte känner till dessa instruktioner använda gräsklipparen. Lokala bestämmelser kan begränsa ålder på den som kör maskinen.
- Sluta använda maskinen då personer, speciellt barn, eller djur är i närheten.
- Använd gräsklipparen endast på det sätt och för de funktioner som beskrivs i dessa instruktioner.
- Kör aldrig gräsklipparen när du är trött, sjuk eller har intagit alkohol, droger eller medicin.
- Den som kör eller använder gräsklipparen är ansvarig för olyckor där andra personer eller deras egendom är inblandade.

## Säkerhetsföreskrifter för bränsle

### WARNING - bensin är ytterst lättantändligt

- Använd skyddskläder när Du hanterar bränsle och smörjmedel.
- Undvik kontakt med huden.
- Avlägsna bensin och motorolja innan Du transporterar enheten.
- Lagra bränslet på en sval plats i en behållare som är speciellt konstruerad för ändamålet. En vanlig plastdunk är inte lämplig.
- Fyll på bränsle utomhus och rök inte medan du fyller på bränsle.
- Fyll på bränsle **INNAN** du startar motorn. Avlägsna aldrig tanklocket eller tanka medan motorn är igång eller medan motorn är varm.
- Om du spiller bensin, försök inte starta motorn utan flytta maskinen bort från den plats där du spillde och undvik att skapa en källa för gnistbildning.
- Sätt ordentligt tillbara tanklock och locket på behållaren.
- Flytta maskinen bort från tankningsplatsen innan du startar den.
- Bränsle ska förvaras svalt, undan från den öppna eld.

## Förberedelse

- Använd alltid kraftiga skor och långbyxor när du använder din gräsklippare. Använd inte utrustningen när du är barfota eller har öppna sandaler.
- Användande av hörselskydd rekommenderas.
- Se till att gräsmattan är fri från pinnar, stenar, ben, ståltråd och skräp; de kan kastas ut av kniven.

- Innan maskinen används och efter varje gång den utsats för hård stöt, kontrollera att det inte finns slitage eller skador och reparera om så behövs.
- Byt ut slitna eller skadade delar tillsammans med deras fastsättningsanordningar i hela satser för att bevara balansen.
- Byt ut felaktig ljuddämpare.

## Användning

- Kör inte motorn i ett slutet utrymme där avgaser (koloxid) kan ansamlas.
- Använd gräsklipparen endast i dagsljus eller i bra artificiellt ljus.
- Undvik att köra din gräsklippare i vått gräs om det är möjligt.
- Var försiktig med vått gräs, du kan tappa fotfästet.
- Var extra försiktig på sluttningar och använd skor som inte slinter.
- Klipp gräs på sluttningar utmed sluttningen, aldrig upp och ner.
- Var extra försiktig när du byter riktning på sluttningar.
- Gräsklippning på vallar eller sluttningar kan vara farligt. Klipp inte gräs på **vallar** eller **branta** sluttningar.
- Gå inte baklänges när du klipper, du kan snubbla. Gå - spring aldrig.
- Klipp aldrig gräs genom att dra gräsklipparen mot dig.
- Stanna motorn innan du kör gräsklipparen över andra ytor än gräs och när du transporterar gräsklipparen till och från det område som skall klippas.
- Kör aldrig gräsklipparen med skadade skydd eller utan att skydden är på plats.
- Kör inte motorn på för högt varvtal eller ändra inställningen på regulatoren. För högt varvtal är farligt och förkortar gräsklipparens livslängd.
- Koppla bort kniven och drivningen innan du startar.
- Håll alltid händer och fötter borta från skärande delar och speciellt när motorn startas.
- Luta inte klipparen när motorn är igång utom vid start och stopp. I dessa fall luta inte mer än absolut nödvändigt och lyft endast den del som ligger bort från operatören.
- Lyft aldrig upp eller bär gräsklipparen medan motorn är igång.
- Kabeln till tändstiftet kan vara het - hantera den med försiktighet.
- Försök aldrig utföra underhållsarbete på din gräsklippare medan motorn är varm.
- Stanna motorn och vänta tills kniven har stannat:-  
- innan du lämnar gräsklipparen utan uppsikt för kortare eller längre tid.
- Släpp upp säkerhetshandtaget för att stoppa motorn, vänta tills bladet har stannat, koppla bort kabeln till tändstiftet och vänta tills motorn har svalnat:-  
- innan du fyller på tanken;  
- innan du tar bort något som blockerar;  
- innan du kontrollerar, rengör eller arbetar på maskinen;  
- om du kör på något. Använd inte gräsklipparen förrän du är säker på att hela maskinen är i säkert skick för vidare körning;  
- om gräsklipparen börjar vibrera onormalt. Kontrollera omedelbart. Stora vibrationer kan förorsaka skador.

## Underhåll och undanställning

- Fara! Vidrör inte roterande klinga(klingor)
- Se till att alla muttrar, bultar och skruvar är ordentligt åtdragna för att vara säker på att gräsklipparen är säker att köra.
- Byt ut slitna eller skadade delar av säkerhetsskäl.
- Använd endast original delar som specificeras för produkten.
- Ställ aldrig undan gräsklipparen med bränsle i tanken inne i en byggnad där ångor kan nå en öppen låga eller gnista.
- Låt motorn svalna innan du ställer in den i ett utrymme.
- För att minska risk för eldsvåda, håll motorn, ljuddämparen, batterilådan och bränsletanken fria från gräs, löv eller för mycket smörjfejt.
- Om bränsletanken måste dräneras, skall detta göras utomhus.
- Förvara på en sval och torr plats utom räckhåll för barn. Förvara inte utomhus.

## Montering (utan hjul)

### Ditsättning av nedre handtag

1. Mata haken (A2) som sitter på handtagets underdel (A1) halvvägs genom mitturtaget på gejden (A3) i den riktning som pilen (A4) visar.
2. Med haken (A2) insatt i gejdens (A3) mitturtag, vrid handtagets underdel (A1) medsols 90° för att sätta underdelens båda ben på plats in mellan fästena ovanpå kåpan (A5).
3. Sätt in sprintarna (B1) och sätt fast dem med stoppbyglarna (B2).

Montering av handtagets överdel på underdelen  
**INNAN** handtagets överdel monteras på underdelen ska underdelen stabiliseras genom att man lyfter haken (C1) till "parkeringsläget" (C2).

1. Se till att spaken för choken sitter på vänstra sidan sedd bakifrån.
2. Passa in övre och nedre handtagen mot varandra (D). Sätt dit skruvarna (D1), brickorna (D2) och drag åt med rattarna (D3) på handtaget.
3. Montera kablar på handtagen med de medlevererade kabelbanden och se till att kablar inte fastnar mellan det övre och nedre handtaget.

## Montering (med hjul)

1. Montera fast det nedre handtaget (B1) med den nedre handtagssprinten (B2) så som bild B visar.
2. Fäst hjulen (C1) på hjulstommen (C2) med hjulstoppbyglarna (C3), så som bild C visar.
3. Montera fast hjulstommen (D1) med den nedre handtagsskruven (D2), den lilla brickan (D3), den stora brickan (D4) och låsmuttern (D5), så som bild D visar.

4. Placera in de nedre utdragbara rören (E1) inuti de övre utdragbara rören (E2) och lås till med sprinten (E3) och stoppbygeln (E4), så som bild E visar.

Montera det övre handtaget på det under handtaget genom att följa instuktionerna ovan i avsnittet **Montering (utan hjul)**.

## Inställning av handtagets läge

### Inställning av handtagets läge

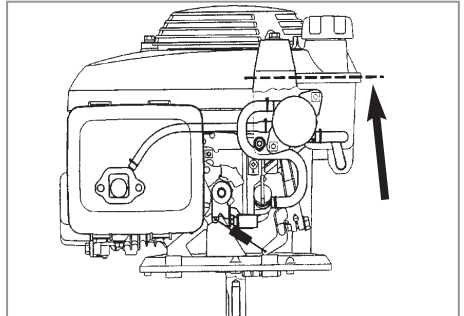
Handtagets läge kan ställas in med gejd- och hakanordningen. Ställ in handtagets läge på följande sätt:

1. Lyft haken (C1).
2. Ställ in den i önskat läge:  
(C2) "parkeringsläge", (C3) "förflyttningsläge"

## Bränsle

### Använd färsk, ren och blyfri bensin för bilar.

Fyll inte på bränsletanken i ett slutet rum när motorn är varm eller om du röker eller är nära en naken låga. Rengör noggrant runt påfyllningslocket för bränsletanken innan du fyller på då detta kommer att förhindra att smuts kommer in i bränslesystemet. Bränsle skall alltid förvaras på en sval plats och aldrig i närheten av den öppna lågan. Fyll inte tanken medan motorn är igång. Fyll bränsletanken genom en tratt som är försedd med ett fint filter. Fyll aldrig tanken helt full, fyll till nedre delen av påfyllningsröret. När tanken fylls på från tom eller om motorn tidigare har kört tanken tom måste du fylla på minst 400 cc bränsle (till den nivån som anges av linjen på bilden) för att du skall vara säker på att bränslepumpen har tillräckligt med bränsle för att starta motorn. Din förgasare är fabriksinställd. Den kräver normalt ingen justering.



## Olja

Använd en fyrtakts olja för bilar. SAE 10W-30 rekommenderas för normal användning.

Fyll på oljan enligt instruktionerna i din motorhandbok som medföljer leveransen.

## Start och stopp

### Starta gräsklipparen

1. För handtaget till parkeringsläget (C2).
2. Anslut tändkabeln (J)
3. Öppna bränslekranen (K).
4. För chokespaken till läge "Choke" (L) när du startar en kall motor och till läge "Run" (Kör) (N) när du startar en varm motor.
5. Drag i reglaget och håll det stadigt mot övre handtaget..
6. Placera din fot stadigt på däck och ta tag i överdelen på det nedre handtaget med din vänstra hand. Luta gräsklipparen mot dig (M). Detta säkerställer att gräsklipparen står i ett säkert läge när du startar och förhindrar också att den klipper fula ringar i din gräsmatta.
7. Drag försiktigt starthandtaget mot Dig, tills Du känner ett motstånd och släpp sakt tillbaka handtaget.

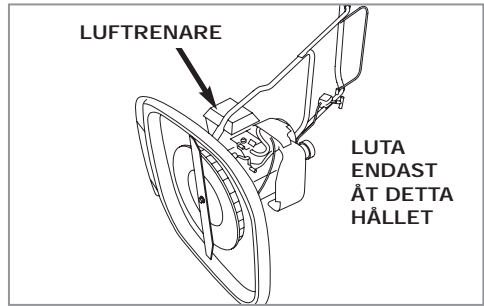
8. Ryck starthandtaget mot Dig så långt det går.
9. Låt motorn nå fullt arbetsvarv och sänk seden sakt ned gräsklipparen till marken.
10. Då motorn blivit varm, se till att reglaget står i normal-läget (N).

### Stoppa gräsklipparen

- Kniven fortsätter att rotera sedan maskinen kopplats av. Roterande knivar kan vålla skador.
1. Släpp reglaget.
  2. Luta gräsklipparen något när motorn stannar, så gör den inte en ring i gräsmatten.
  3. Då motorn stannat, sänk ned gräsklipparen till marken.
  4. Ställ handtaget i parkeringsläget (C2).
  5. Stäng bränslekranen (K).

## VIKTIGT

Innan någon service utförs på maskinens undersida, stäng bränslekranen, låt motorn gå tills den stannar, koppla bort kablenn till tändstiftet och LÄGG MASKINEN PÅ SIDAN MED LUFTRENAREN ÖVERST



## Hur man klipper

- Före användning bör du alltid undersöka om kniven och skruvarna ser slitna eller skadade ut.
- 1. Sätt handtaget i klippläge (C3).
- 2. Klipp två gånger i veckan under växtsäsongen. Din gräsmatta får illa, om Du klipper av mer än en tredjedel av grässets längd, vid varje klippning.
- Håll undan händer och fötter från kniven, den roterande kniven syns inte.
- Det kan vara farligt att klippa på slutningar och vallar. Undvik branta backar.
- Stå alltid på plan mark med gräsklipparen nedanför dig på slutningen och med tändstiftet överst för att undvika att smörjoljan rinner in i cylindern.
- Använd inte gräsklipparen på slutningar som är våta eller lutar mer än 45° från horisontalplanet.
- För aldrig gräsklipparen upp för slutningen.

## Justering av klippningshöjden

- Använd aldrig fler än 2 distansbrickor för klipphöjden.
- Distansbrickorna får bara monteras mellan kniven och fläkten, aldrig mellan kniven och skruven (P).
- 1. Se till att reglaget släpps när motorn stannat -lossa tändkablenn.
- 2. Stäng bränslekranen (K). Lägg gräsklipparen på sidan.
- 3. Avlägsna bladbulten (P1) och bladet (P2) enligt instruktionerna i "Hur du avlägsnar blad och fläkt".
- 4. Kortare klippning - Lägg till högst 2 distansbrickor (P3).
- 5. Högre klipphöjd - Tag bort distansbrickor (P3).
- 6. Sätt tillbaka bladet enligt instruktionerna i "Hur du monterar blad och fläkt".

## Borttagning och montering av kniv och fläkt

Hantera alltid kniven försiktigt - vassa kanter kan vålla skador. ANVÄND HANDSKAR

Tändkablenn kan vara het - hantera den försiktigt.

### Borttagning av kniv och fläkt

- Byt ut metallkniven efter 50 timmars klippning eller 2 år, vilket som inträffar först - oavsett skicket.
- Om kniven är sprucken eller skadad ska den bytas ut mot en ny.
- 1. Släpp reglaget när motorn har stannat och kniven har slutat rotera - lossa tändkablenn.
- 2. Stäng bränslekranen helt (K).
- 3. Vänd din gräsklippare på sidan med luftrenaren överst (se illustration ovan).
- 3. För att ta bort knivskruven (P1), håll fläkten (P4) stadigt och vrid loss knivskruven moturs med den medföljande skruvnyckeln.
- 4. Tag bort knivskruven (P1), kniven (P2), distansbrickorna (P3) och fläkten (P4).
- 5. Se efter om det finns skador och rengör efter behov.

### Montering av kniv och fläkt

- Före användning bör du alltid undersöka om kniven och skruvarna ser slitna eller skadade ut.
- Använd aldrig fler än 2 distansbrickor för klipphöjden.
- Distansbrickorna får bara monteras mellan kniven och fläkten och aldrig mellan kniven och skruven.
- 1. Se efter att fläkten sitter rätt.
- 2. Placera distansbrickorna (P3) på fläkten så att tapparna (P5) sitter i hålen (P6).
- 3. Placera kniven (P2) på distansbrickorna (P3) så att tapparna (P7) går in i hålen (P8) på kniven och kniven placeras så som visas i fig. P.
- 4. Sätt knivskruven (P1) genom centrumhålet (P9) på kniven.
- 5. Drag åt medsols för hand.
- 6. Håll fläkten stadigt och drag åt knivskruven med medföljande skruvnyckel.

## Tändstift

Ett tändstift med olje- eller kolbeläggning gör motorn svår att starta och minskar dess effektivitet. Skruva ur tändstiftet med jämna mellanrum och rengör och justera när så behövs.

Spalt 0,028" – 0,031"

Skruva inte ur tändstiftet när motorn är varm. Sandblåsa inte tändstiftet för att rengöra det.

## Rengöring av luftfilter

Q1 – Luftkanal

Q2 – Luftrenarens kropp

Q3 – Filter

Q4 – Låstungor

Q5 – Luftrenarens lock

Kör aldrig motorn utan filter eller med ett smutsigt filter.

Detta kommer att ha stor inverkan på motorns effektivitet och orsaka skador på motorn.

Din gräsklippare är försedd med en luftrenare som skall underhållas enligt följande:

- Kontrollera filtret för varje användning
- Rengör regelbundet efter 25 timmars användning eller oftare om gräsklipparen körs i dammiga områden.

- Byt regelbundet ut filtret efter 200 timmar.

1. Tryck på låstungorna överst på luftrenarens lock och avlägsna locket
2. Kontrollera att filtret är rent och i gott skick.

Om filtret är smutsigt:

Slå luftfiltret åtskilliga gånger mot en hård yta för att avlägsna smuts eller blås tryckluft genom filtret från den rena sidan som sitter mot motorn. Försök aldrig borsta bort smuts. Borstning gör att smutsen tränger in i fibrerna.

3. Torka bort smuts från luftrenarens kropp och lock med en fuktig trasa. Var försiktig så att smuts inte tränger in i luftkanalen som leder till förgasaren.
4. Sätt tillbara filtret och luftrenarens lock.

## Gräsklipparens skötsel

Om Du avser att inte använda gräsklipparen under

en längre tid, bör Du förfara enligt följande:

1. Stäng av motorn.
2. Stäng bränslekranen helt (K).
3. Starta om motorn.
4. När bränslet börjar ta slut och motorn visar tecken på att stanna, luta gräsklipparen en aning.
5. Då motorn har stannat, släpp reglaget.
6. Tag bort tändkabeln från tändstiftet.
7. Töm ur all bensin ur tanken.

### Rengöring

• ANVÄND HANDSKAR

• Håll gräsklipparen ren - gräs som blivit kvar i luftintagen, runt motorn eller under klippkåpan kan utgöra en brandfara.

• Rengör inte maskinen med kemikalier, bensin eller lösningsmedel - det kan förstöra viktiga plastdelar.

1. Avlägsna gräs under klippkåpan med en pinne eller liknande.
2. Borsta bort gräs runt motorn och alla luftintag med en mjuk borste.
3. Tag bort fläkten (se "Borttagning och montering av kniv och fläkt") och rengör med en mjuk borste.
4. Torka av maskinen med en torr trasa.

### Transport av din gräsklippare

- Vrid bränslekranen till stängt läge och transportera med motorn i horisontalläge.
- Transportera aldrig gräsklipparen med motorn igång.

Förvaring av gräsklipparen

Vrid bränslekranen till stängt läge och förvara gräsklipparen på en sval, torr, fuktfri och säker plats med motorn i horisontalläge.

Ge gräsklipparen service efter sista klippningen för året på följande sätt:

1. Stäng av motorn.
2. Stäng bränslekranen helt (K).
3. Starta om motorn.
4. När bränslet börjar ta slut och motorn visar tecken på att stanna, luta gräsklipparen en aning.
5. Då motorn har stannat, släpp reglaget.
6. Tag bort tändkabeln från tändstiftet.
7. Töm ur all bensin ur tanken.
8. Tag bort tändkabeln och tändstift. Häll en tesked (5 ml) olja genom tändstiftshålet. Drag i starthandtaget 2-3 gånger. Detta fördelar olja på motorns invändiga ytor. Undersök, rengör och sätt tillbaka tändkabeln. Om det behövs ett nytt tändstift, kontakta närmaste auktoriserade serviceställe/återförsäljare för .
9. Rengör luftfiltret (Se Rengöring av luftfiltret).
10. Byt kniv om den är sprucken, skadad eller skev. Byt knivskruv om det behövs (Se Borttagning och montering av kniv och fläkt betr. fullständiga anvisningar).
11. Använd endast original Flymo reservdelar och tillbehör som specificeras för denna maskin.
12. Rengör maskinen noga (Se Rengöring).
13. Auktoriserade serviceställe/återförsäljare kan utföra alla nödvändiga servicearbeten och reparationer.
14. Förvara gräsklipparen på en sval, torr, fukt- och stöldsäker plats.

## Tips för felsökning

Motorn vill inte starta

1. Se till att reglaget hålls stadigt fast mot övre handtaget.
2. Kontrollera att det finns tillräckligt med bränsle i bränsletanken och att bränslekranen är öppen.
3. Kontrollera att spaken för choken står i rätt läge: "Run" (Kör) (N) för en varm motor, "Choke" (L) för en kall motor.
4. Kanske motorn har flöddats. Tag bort och torka tändstiftet.
5. Bränsleblandningen kanske är för gammal och avslagen - om så är fallet, tapp ur och fyll på nytt bränsle.
6. Kontrollera att fästbulten för kniven är väl åtdragen. Om denna skruv är lös kan det försvåra start av motorn.
7. Om motorn fortfarande inte vill starta, lossa tändkabeln och rådfråga auktoriserade serviceställe/återförsäljare.

Dålig svävformåga eller bristande effekt

1. Koppla bort tändkabeln.
2. Gör rent under huven. Gör rent luftfiltret, fläkten och runt motorn vid luftintagen.
3. Kontrollera att kontrollspaken för choken står i läge "Run" (Kör) (N)
4. Bränsleblandningen kanske är felaktigt eller för gammal - om så är fallet, byt bränsle.
5. Om dålig svävformåga eller bristande effekt kvarstår, lossa tändkabeln och rådfråga auktoriserade serviceställe/återförsäljare.

För mycket vibration

1. Koppla loss tändkabeln.
2. Kontrollera att kniven är rätt monterad. Se "Ditsättning och borttagning av kniv och fläkt".
3. Om kniven är skadad eller sliten, skall den bytas.
4. Om vibrationen kvarstår - använd inte maskinen - lossa tändkabeln och rådfråga auktoriserade serviceställe/återförsäljare.

## Reservdelar

### Klänga

Reservdelsnummer: 5119004-00

## Garanti och policy

Om någon del befinns vara defekt på grund av fabriktionsfel under garantitiden kommer Husqvarna division för utomhusprodukter genom en auktoriserad verkstad att reparera eller byta ut delen utan kostnad för kunden under förutsättning att:

- Felet rapporteras direkt till den auktoriserade reparatören.
  - Inköpsbevis medföljer.
  - Felet inte har orsakats av missbruk, vanskötsel eller felaktigt bruk.
  - Felet inte beror på normal förslitning.
  - Maskinen inte har reparerats, plockats isär eller behandlats av en icke-auktoriserad reparatör.
  - Maskinen inte har hyrts ut.
  - Maskinens ägs av den ursprunglige kunden.
  - Maskinen inte har brukats kommersiellt.
- \* Denna garanti utgör ett komplement till kundens lagliga rättigheter och begränsar inte på något sätt dessa.

Fel som uppstår p.g. a underlånde att göra följande täcks inte av garantin och det är därför viktigt att du läser de instruktioner som finns i bruksanvisningen och förstår hur du skall köra och underhålla din maskin.

### Fel som ej omfattas av garantin

- \* Underlåtelse att rapportera ett fel som uppkommit tidigare.
- \* Uppkommet fel efter plötslig stöt..
- \* Fel som uppstår som ett resultat av att maskinen inte används i enlighet med de instruktioner och rekommendationer som finns i driftshandboken.
- \* Maskinen har hyrts ut.
- \* Följande detaljer räknas som förslitningsdelar och deras livslängd är beroende av regelbundet underhåll och är därför normalt inte täckta av garantin: kniv.
- \* **Varning!**  
Husqvarna UK Ltd. ansvarar ej under denna garanti för fel som direkt eller indirekt uppstått efter att reservdelar som inte har tillverkats eller godkänts av Husqvarna UK Ltd. monterats på maskinen eller om maskinen har modifierats på något sätt.

## Miljöinformation

Husqvarna UK Ltd. för användning utomhus tillverkas enligt ett miljöstyrningssystem (ISO 14001) där vi, när så är praktiskt möjligt, använder komponenter som tillverkas enligt företagets metoder på ett sätt som tar hänsyn till miljömässiga faktorer och med möjlighet för återvinning när produkten ej längre är användbar.

- Förpackningen kan återvinnas och plastdelarna har märkts (där så är praktiskt möjligt) för sortering för återvinning.
- Man måste ta hänsyn till miljön när man gör sig av med en produkt som ej längre är användbar.
- Om är nödvändigt, kontakta Din lokala myndighet för information om hur Du skall göra dig av med produkten.

### BORTSKAFFNING AV BRÄNSLE OCH SMÖRJOLJOR

- Använd skyddskläder när Du hanterar bränsle och smörjmedel.
- Undvik kontakt med huden.
- Avlägsna bensin och motorolja innan Du transporterar enheten.
- Kontakta Din lokala myndighet för information om närmaste plats för återvinning/bortskaffning.



Gör Dig **INTE** av med förbrukat bränsle/förbrukat olja via hushållsavfallet.



Avfallsbränsle/oljor är skadliga, men kan återvinnas och skall bortforslas genom godkända kanaler.



Håll **INTE** ut använda bränslen/oljor i vattendrag.



Får ej förbrännas



## EC FÖRSÄKRAN OM ÖVERENSSTÄMMELSE

Husqvarna AB, 561 82, Huskvarna, Sweden

Deklarerar under vårt eget ansvar att produkten:

Kategori.....**Bensin Gräsklippare**  
Typ.....**GX560**  
Identifiering av serie.....**Se Produktidentifieringsetikett**  
Tillverkningsår.....**Se Produktidentifieringsetikett**

Överrensstämmer med nödvändiga krav & villkor i de följande EG-direktiv:

**2006/42/EC, 2004/108/EC, 2000/14/EC**

baserat på följande EU-samordningsstandard:

**EN 836, EN55012**

Det maximala A-vägda ljudtrycksnivån  $L_{pA}$  vid operatörens position, inspelat i ett prov av den ovan nämnda produkten motsvarar **nivån** given i tabellen.

Det maximala hand/arm vibrationsvärdet uppmätt i enlighet med EN ISO 20643 vid ett prov av ovan nämnda produkt motsvarar **värdet  $a_h$**  givet i tabellen.

2000/14/EC: Den uppmätta ljudkraft  $L_{WA}$  & garanterade ljudkraft  $L_{WA}$  värdena är i enlighet med de tabulerade siffrorna.

Konformitetsvärderingsprocedur.....Annex VI

Underättat organ.....Intertek, Cleeve Road  
Leatherhead, Surrey  
KT22 7SB, England

Newton Aycliffe 13/5/2011

M.Bowden

Global R&D-VD – Gå bakom

Hållare för tekniska dokument.



Typ	GX560
Klippbredd (cm)	50.5
Varvtal på klippanordning (rpm)	3100
Nominell effekt kW	3.0
Uppmätt ljudeffekt $L_{WA}$ (dB(A))	96
Garanterad ljudeffekt $L_{WA}$ (dB(A))	98
<b>Nivå</b> $L_{pA}$ (dB(A))	86.8
Osäkerhet $K_{pA}$ (dB(A))	2.5
<b>Värde</b> $a_h$ ( $m/s^2$ )	3.3
Oviss $K_{ah}$ ( $m/s^2$ )	1.5
Vikt. (Kg)	16.5

Effektmärkningen för motorn indikerad är den genomsnittliga nettoeffekten

(vid specificerat varv per minut) av en typisk produktionsmotor för motormodell uppmätt till SAE-standard J1349 / ISO 1585. Massproducerade motorer kan skilja sig något från detta värde. Faktisk motoreffekt för motor installerad i den slutliga maskinen är beroende på driftshastighet, miljöförhållanden och andra variabler

# SIKKERHEDSREGLER



Hvis denne plæneklipper ikke anvendes korrekt, kan den være farlig! Denne plæneklipper kan forårsage alvorlige skader på brugeren og andre, og advarsler og sikkerhedsforeskrifter skal følges for at garantere sikkerhed og effektivitet ved brug af denne plæneklipper. Brugeren er ansvarlig for at følge de advarsels- og sikkerhedsforeskrifter, der er angivet i denne brugsvejledning og på plæneklipperen.

## Forklaring af symboler på produktet



Advarsel



Læs brugsvejledningen grundigt, så De lærer betjeningsgrebene og deres funktioner at kende.



Hold altid plæneklipperen på jorden, når De slår græs. De kan risikere, at der kastes sten ud, hvis De vipper eller løfter plæneklipperen.



Hold tilskuere væk. Slå ikke græs, mens der er folk, specielt børn eller kæledyr på det område, hvor græsset skal slås.



Pas på at De ikke får skåret tær eller hænder af. Lad ikke hænder eller fødder komme i nærheden af en roterende kniv.



Afmonter tændledningen, før De forsøger at udføre nogen form for vedligeholdelse, rengøring eller justering, eller hvis De vil efterlade plæneklipperen uden opsyn for selv et kort stykke tid.



Kniven fortsætter med at rotere efter, at der er slukket for maskinen. Vent til alle maskinkomponenter er standset helt, før du rører ved dem.

## Generelt

- Lad aldrig børn eller folk, som ikke er bekendte med disse brugsvejledninger, benytte plæneklipperen. Lokale kan sætte begrænsninger for brugerens alder.
- Stop maskinen hvis der er folk, især børn, eller husdyr i nærheden.
- Benyt kun plæneklipperen på den måde og til de funktioner, der er beskrevet i denne brugsvejledning.
- Benyt aldrig plæneklipperen, når De er træt, syg eller Du har indtaget alkohol, narkotika eller medicin.
- Operatoren eller brugeren er ansvarlig for uheld eller skader på andre mennesker eller deres ejendom.

## Brændstofsikkerhed

### ADVARSEL - Benzin er meget brandfarlig

- De skal sørge for at anvende beskyttelsestøj, når De arbejder med brændstoffer og smøremidler.
- Undgå kontakt med huden
- Fjern benzin og motorolie, inden De transporterer produktet.
- Opbevar benzin køligt i en beholder, der er fremstillet specielt til dette formål. Plasticbeholdere er generelt uegnede.
- Fyld kun brændstof på udendørs og undlad at ryge ved påfyldning.
- Hæld brændstoffet på INDEN motoren startes. Fjern aldrig låget til brændstoftanken og påfyld heller ikke benzin, mens motoren er i gang, eller mens motoren er varm.
- Hvis der spildes benzin, må motoren ikke forsøges startet. Fjern i stedet maskinen fra det sted, hvor benzinen blev spildt, og undgå at skabe antændingskilder, indtil benzindampene har spredt sig.
- Sæt alle låg tilbage på brændstoftanke og beholdere og sørg for, at de sidder godt fast.
- Fjern produktet fra påfyldningsområdet, før det startes.
- Brændstoffet skal opbevares på et køligt sted i god afstand af åben ild.

## Forberedelse

- Anvend altid kraftigt fodtøj og lange bukser, når du anvender produktet. Man må ikke drive udstyret

- med bare fødder eller iført åbne sandaler.
- Det anbefales at bruge høreværn.
- Sørg for, at der ikke ligger kviste, sten, ben, ledninger og andet materiale på plænen. Disse genstande kan blive kastet op af kniven.
- Før maskinen tages i brug og efter stød, skal der kontrolleres for tegn på slid eller beskadigelse, og der foretages reparation efter behov.
- Udskift slidte eller beskadigede knive med tilhørende fastspændingsanordninger for at opretholde balancen.
- Sørg for at få udskiftet defekte lyd-dæmpere.

## Brug

- Start ikke motoren i et indelukket område, hvor der kan samle sig udstødningsgasser (kullite).
- Benyt kun plæneklipperen i dagslys eller ved god kunstig belysning.
- Undgå at benytte Deres plæneklipper i vådt græs, hvor det er muligt.
- Pas på i vådt græs - De kan risikere at miste fodfæstet.
- Vær ekstra forsigtig med at bevare fodfæstet på skråninger, og brug skridsikket fodtøj.
- Slå græsset på langs på skråninger, aldrig opad og nedad.
- Vær særdeles forsigtig, når De skifter retning på skråninger.
- Det kan være farligt at slå græs på skrænter og skråninger. Klip ikke græs på **skrænter** eller **stejle** skråninger.
- Gå ikke baglæns, når De bevæger Dem, da De kan risikere at falde. Gå – løb aldrig.
- Slå aldrig græsset ved at trække plæneklipperen mod Dem selv.
- Stands motoren, inden plæneklipperen skubbes over overflader, der ikke er græssoverflader, og ved transport af plæneklipperen til og fra det område, hvor græsset skal klippes.
- Benyt aldrig plæneklipperen, hvis skærmene er i stykker eller uden skærmene er monteret.
- Motorens omdrejningsmax må ikke overskrides, og regulatorindstillingerne må ikke ændres. Det er farligt at overstige motorens omdrejningsmax, og det vil forkorte plæneklipperens levetid.
- Kobl alle kniv- og drevkoblinger fra før start.
- Hold altid hænder og fødder væk fra klippemidlerne, specielt når motoren tændes.
- Tip ikke maskinen, mens motoren kører, bortset fra ved start og stop. I disse tilfælde må den ikke tippe mere end absolut nødvendigt, og løft kun den del, der vender væk fra brugeren.
- Løft eller bær aldrig en plæneklipper, mens motoren er i gang.
- Tændrørsledningen kan være varm - vær forsigtig ved håndtering.
- Forsøg ikke at udføre nogen form for vedligeholdelsesarbejde på Deres plæneklipper, mens motoren er varm.
- Stands motoren, og vent, indtil kniven standser:
  - inden De forlader plæneklipperen uden opsyn for selv et kort stykke tid;
- Slip dødmandsgrebet for at standse motoren, vent, indtil kniven er stoppet, tag tændledningen ud, og vent, indtil motoren er kølet ned:
  - inden De fylder benzinen på
  - inden De kontrollerer, renser eller udfører arbejde på plæneklipperen;
  - Hvis De rammer en genstand. Benyt ikke plæneklipperen, før De er sikker på, at hele plæneklipperen er driftssikker;
  - Hvis plæneklipperen begynder at vibrere unormalt. Voldsomme rystelser kan medføre personskade.

## Vedligeholdelse og opbevaring

- Forsigtig: Man må ikke berøre det/de roterende blad(blade)
- Sørg for, at alle møtrikker, bolte og skruer altid er strammet for at sikre, at plæneklipperen er driftssikker.

## SIKKERHEDSREGLER

- Udskift slidte eller beskadigede dele af sikkerhedshensyn.
- Brug ved udskiftning kun de knive, knivbolte, mellemstykker og hjul, der er specificeret for dette produkt.
- Opbevar aldrig plæneklipperen med brændstof i tanken i en bygning, hvor dampe kan komme i nærheden af åben ild eller gnister.
- Lad motoren køle ned, inden den opbevares i nogen form for indelukke.
- Hold motoren, støjdæmperen, batterikassen og det sted, hvor brændstoffet opbevares, fri for græs, blade eller store mængder fedtstof for at nedsætte risikoen for brand.
- Hvis brændstoftanken skal tømme, skal dette gøres udendørs.
- Skal opbevares på et tørt og køligt sted uden for børns rækkevidde. Må ikke opbevares udendørs.

## Samling (uden hjul)

### Montering af det nederste håndtag på plæneklipperen.

- Før kroen (A2), der er forbundet til det nederste håndtag (A1), halvvejs gennem det midterste hul på styreskinnen (A3) i pilens (A4) retning.
- Hold kroen (A2) i det midterste hul på styreskinnen (A3), og drej det nederste håndtag (A1) 90° i urets retning, så begge det nederste håndtags ben placeres mellem hver af kappekonsollerne (A5).
- Sæt tapperne (B1) i, og hold dem på plads med holdeklemmerne (B2).

Sådan monteres øverste håndtag på det nederste. **FØR** montering af øverste håndtag på det nederste, skal det nederste håndtag stabiliseres ved at løfte kroen (C1) hen i 'parkeringsposition' (C2).

- Kontrollér, at chokerbetjeningsgrebet befinder sig i venstre side set bagfra.
- Anbring de nederste og øverste håndtag for hinanden (se fig. D). Monter boltene (D1), spændeskiverne (D2) og spænd dem fast med håndtagsgrebene (D3).
- Fastgør kablerne til håndtagene med de medfølgende kabelbånd, og sørg for, at kablerne ikke kommer i klemme mellem det øverste og nederste håndtag.

## Samling (med hjul)

- Sæt det nederste håndtag (B1) fast på skjoldet med stiften (B2) til det nederste håndtag som illustreret i fig. B.
- Sæt hjulene (C1) på hjulstellet (C2) med hjulclips (C3) som illustreret i fig. C.
- Sæt hjulstellet (D1) på skjoldet med boltene (D2) til det nederste håndtag, den lille spændeskive (D3), den store spændeskive (D4) og låsemøtrikken (D5)

som illustreret i fig. D.

- Placér de nederste teleskopprør (E1) inden i de øverste teleskopprør (E2), og sæt dem fast med stiften (E3) og clipsen (E4) som illustreret i fig. E.
- Fastgør det øverste håndtag på det nederste håndtag ved at følge anvisningerne ovenfor i afsnittet 'Samling (uden hjul)'.

## Håndtagets position

Håndtagets position kan justeres ved hjælp af styreskinne-/kroen. Håndtagets position justeres ved at

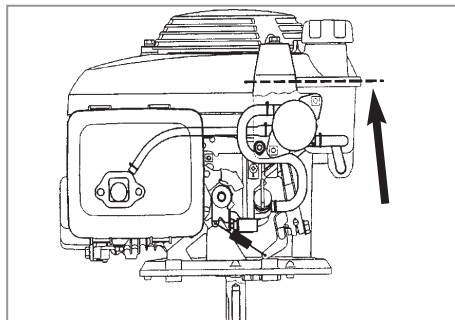
- Løfte kroen (C1)

- Indstille den som ønsket: (C2) - Parkering (C3) - Plæneklipping.

## Brændstof

### Brug ny, ren, blyfri, almindelig benzin

Fyld ikke brændstoftanken i et lukket område, når motoren er varm, hvis du ryger eller står i nærheden af åben ild. Rengør området omkring brændstofdækslet før påfyldningen, da dette medvirker til at forhindre snavs i at trænge ind i brændstofsysteet. Brændstof skal opbevares køligt og ikke i nærheden af åben ild. Fyld ikke tanken, mens motoren kører. Fyld brændstoftanken gennem en tragt med et fint filter. Fyld aldrig brændstoftanken helt, men kun til den nederste del af påfyldningsstuds. Når brændstoftanken fyldes fra tom, eller når motoren tidligere er kørt tør, skal der påfyldes mindst 400cc brændstof (til niveauet for den linje, der er angivet i diagrammet) for at prime brændstofpumpen korrekt, så motoren kan startes. Karburatoren er forudindstillet. Normalt kræves der ingen yderligere justering.



## Olie

Brug en firetakts motorolie. SAE 10W-30 anbefales til almindelig brug.

Påfyld olien som anvist i manualen til motoren, der følger med produktet.

## Start og stop

### Start af plæneklipperen

1. Flyt håndtaget til parkeringspositionen (C2)
2. Forbind tændrørskabet (J).
3. Åbn brændstofhanen (K).
4. Sæt chokerbetjeningsgrebet i chokerpositionen (L), hvis motoren er kold, og i kør-positionen (N), hvis motoren er varm.
5. Træk og fasthold betjeningshåndtaget (Operator Presence Control) med øverste håndtag.
6. Sæt højre fod på skjoldet, og tag fast i toppen af det nederste håndtag med venstre hånd. Vip klipperen mod dig (M). Dette sikrer, at produktet er i en sikker position under starten og forhindrer også, at der klippes en grim ring i plænen.
7. Træk forsigtigt i starthåndtaget, indtil der mærkes modstand, lad langsomt starthåndtaget returnere.
8. Træk starthåndtaget fast ind mod dig selv i dets fulde længde.

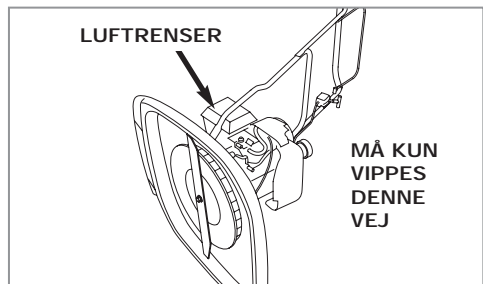
9. Lad motoren nå op på dens fulde omdrejningstal, hvorefter plæneklipperen forsigtigt sænkes ned på jorden.
10. Når motoren er varmet op, skal du kontrollere at kontrolhåndtaget er i 'Normal' position (N).

### Standstning af græsslåmaskinen

- Kniven vil fortsat rotere også efter, at man har afbrudt for maskinen, og roterende knive kan føre til kvæstelser.
1. Udløs betjeningshåndtaget (Operator Presence Control).
  2. Hold plæneklipperen på skrå, når motoren dør. Det forhindrer at der klippes en ring i din græsplæne.
  3. Når motoren er gået i stå, sænkes plæneklipperen ned på jorden.
  4. Anbring håndtaget i parkeringspositionen (C2).
  5. Luk brændstofhanen (K).

## VIGTIGT

**Før der udføres reparationer eller vedligeholdelse på produktet, skal brændstofhanen lukkes. Lad motoren køre, indtil den stopper, tag tændledningen ud, og VIP PLÆNEKLIPPEREN OM PÅ SIDEN MED LUFTRENSEREN OPAD.**



## Således klippes græsset

- Inden brug skal man altid visuelt undersøge, at kniven og boltene hverken er slidte eller beskadigede.
1. Sæt håndtaget i arbejdspositionen (D3).
  2. Klip to gange om ugen i vækstsæsonen, da plænen vil tage skade, hvis der klippes mere end en trediedel af ad gangen.
- Sørg for at hænder og fødder ikke er i nærheden af kniven, da en roterende kniv ikke kan ses.
  - Det kan være farligt at klippe græs på skrånninger. Der må ikke klippes græs på stejle skrånninger.
  - Stå altid på en flad overflade med plæneklipperen under dig på skrånninger og med tændrøret øverst, så du undgår, at der løber smøreolie ned i cylinderen.
  - Brug ikke plæneklipperen på skrånninger, der er våde eller hældes mere end 45 grader.
  - Skub aldrig plæneklipperen op ad skrånningen.

## Justering af klippehøjden

- Der må højst benyttes 2 afstandsskiver.
  - Afstandsskiverne kan kun monteres mellem kniven og blæsehjulet, og aldrig mellem kniven og boltene. (P)
1. Sørg for at Operator Presence Control er udløst, når motoren ikke længere roterer - og afbryd for tændrørsledningen.
  2. Luk brændstofhanen (K). Læg plæneklipperen ned på siden.
  3. Tag knivbolten (P1) og kniven (P2) af som beskrevet under 'Fjernelse af kniv og ventilator'.
  4. Lavere klipning opnås ved at tilføje højst 2 afstandsskiver (P3).
  5. Højere klipning opnås ved at fjerne afstandsskiverne (P3).
  6. Sæt kniven på igen som beskrevet i 'Montering af kniv og ventilator'.

## Demontering & montering af kniv og blæsehjul

Man skal altid være forsigtig ved omgang med kniven - de skarpe kanter kan føre til kvæstelser. BRUG HANDSKER. Tændrørsledningen kan være varm - vær forsigtig

### Demontering af kniv og blæsehjul

- Metalkniven udskiftes efter hver 50 timers græsklipping eller hvert andet år, afhængigt af hvad der kommer først - og uanset knivens tilstand.
  - Hvis kniven er revnet eller beskadiget, skal den udskiftes med en ny.
1. Sørg for at Operator Presence Control

(Betjeningshåndtaget) er udløst, når motoren er standset, og kniven ikke længere roterer - afbryd for tændrørsledningen.

2. Luk brændstofhanen helt (K).
3. Vend plæneklipperen om på siden med luftrenseren øverst (se ovenstående billede).
4. Knivbolten (P1) fjernes ved at holde fast på blæsehjulet (P4) og bruge den vedlagte nøgle til at løse knivbolten ved at dreje den mod uret.
5. Fjern knivbolten (P1), kniven (P2), afstandsskiverne (P3) og blæsehjulet (P4).
6. Inspicer for skader og rengør efter behov.

## Montering af kniv og blæsehjul

- Inden brug skal man altid visuelt undersøge, at kniven og bolten hverken er slidte eller beskadigede.
  - Brug aldrig mere end 2 afstandsskiver.
  - Afstandsskiverne kan kun monteres mellem kniven og blæsehjulet, og aldrig mellem kniven og bolten.
1. Sørg for at blæsehjulet er korrekt anbragt.
  2. Anbring afstandsskiverne (P3) på blæsehjulet, og

- sørg for at tapperne (P5) griber ind i hullerne (P6).
3. Anbring kniven (P2) ovenpå afstandsskiverne (P3) og kontroller at tapperne (P7) griber ind i hullerne (P8) på kniven, idet kniven anbringes som vist på tegningen i figur P.
4. Før knivbolten (P1) gennem knivens midterhul (P9).
5. Spænd efter med hånden i urets retning.
6. Hold fast om blæsehjulet og stram knivbolten med den vedlagte nøgle.

## Tændrør

Et tændrør fyldt med olie eller sod gør det svært at starte plæneklipperen og mindsker dens effektivitet. Tag tændrøret af med jævne mellemrum for at rengøre og justere det efter behov.

Afstandsindstilling 0,028-0,031".

Tag ikke tændrøret af, når plæneklipperen er varm. Sandblæs ikke tændrøret for at rengøre det.

## Rengøring af luftfilteret

Q1 - Luftaftræk, Q2 - Luftrenserkasse, Q3 - Filter, Q4 - Holdetap, Q5 - Luftrenserdæksel

Lad aldrig motoren køre uden filter, eller hvis filteret er snavset. Dette vil reducere motorens effektivitet voldsomt og føre til beskadigelse af motoren. Plæneklipperen er udstyret med en luftrenser, der skal vedligeholdes, som følger:

- Efterse filteret før hver brug.
- Rengør filteret efter 25 timers brug eller oftere, hvis det anvendes i støvede områder.
- Udskift filteret hver 200. time.

1. Tryk på holdetapperne øverst på luftrenserdækslet, og tag dækslet af.
2. Kontrollér, at filteret er rent og i god stand.

Hvis filteret er snavset:

- Bank luftfilteret flere gange mod en hård overflade for at fjerne snavs, eller blæs trykluft gennem luftfilteret fra den rene side, der vender mod motoren. Prøv aldrig at børste snavs af, da dette vil tvinge snavset ind i fibrene.
3. Tør snavs af luftrenserkassen og -dækslet med en fugtig klud. Sørg for, at der ikke kommer snavs ind i luftaftrækket, som fører til karburatoren.
  4. Sæt filteret og luftrenserdækslet på igen.

## Renholdelse af plæneklipperen

Hvis du ikke har til hensigt at bruge din plæneklipper i længere tid, tilrådes det at følge denne fremgangsmåde efter brugen:

1. Stands motoren.
2. Luk brændstofhanen helt. (K)
3. Start motoren igen
4. Når motoren løber tør for brændstof, stopper den, og du kan vippe plæneklipperen en anelse.
5. Når motoren er standset, udløs Operator Presence Control (betjeningshåndtaget).
6. Tag tændrørsledningen af.
7. Tøm brændstofbeholderen.

### Rensning

- **BRUG HANDSKER**
  - Din plæneklipper skal holdes ren - eventuelle græsrester i luftindtagene, i nærheden af motoren eller under låget kan være brandfarlige.
  - Der må ikke renses med kemikalier, benzin eller opløsningsmidler, da nogle af disse kan ødelægge plastikdelene.
1. Man fjerner græs fra klipperens underdel med et stykke træ eller lignende.
  2. Med en blød børste fjerner man græsrester fra motorområdet og fra alle luftindtagene.
  3. Fjern blæsehjulet, se afsnittet 'Demontering og montering af kniv og blæsehjul', og rens med en blød børste.
  4. Aftør plæneklipperen med en tør klud.

### Transport af plæneklipperen

- Luk brændstofhanen, og transporter plæneklipperen med motoren i vandret position.
- Transportér aldrig plæneklipperen, mens den kører.

### Opbevaring af plæneklipperen

Luk brændstofhanen, og opbevar plæneklipperen på et køligt, tørt, fugtsikkert og sikkert sted med motoren i vandret position. Efter årets sidste græsklipning serviceres plæneklipperen på følgende måde:

1. Stands motoren.
2. Luk brændstofhanen helt. (K)
3. Start motoren igen
4. Når motoren løber tør for brændstof, stopper den, og du kan vippe plæneklipperen en anelse.
5. Når motoren er standset, udløs Operator Presence Control (betjeningshåndtaget).
6. Tag tændrørsledningen af.
7. Tøm brændstofbeholderen.
8. Fjern tændrørsledningen og tændrøret. Hæld én teskefuld (5ml) olie gennem tændrørshullet. Træk i starthåndtaget 2 eller 3 gange. Dette fordeler olie over motorens indvendige overflader. Inspicer, rens og udskift tændrøret. Hvis der er brug for et nyt tændrør, skal du kontakte dit lokale godkendte serviceværksted. Tændrørsledningen må ikke tilsluttes igen.
9. Rens luftfilteret. Se 'Rensning af luftfilter'.
10. Udskift kniven hvis den er revnet, beskadiget eller knækket. Udskift knivbolten om nødvendigt. Se 'Demontering og montering af kniv og blæsehjul'.
11. Brug kun originale Flymo dele og tilbehør specificeret for dette produkt.
12. Rens plæneklipperen grundigt. Se "Rensning".
13. Dit lokale godkendte serviceværksted kan udføre enhver service eller reparation.
14. Opbevar din plæneklipper på et køligt, tørt og forsvarligt sted.

## Fejlfindingstips

### Motoren vil ikke starte

1. Kontroller om Operator Presence Control (Betjeningshåndtaget) holdes fast mod øverste håndtag.
2. Kontroller, at der er nok brændstof i brændstoftanken, og at brændstoftønden er åben.
3. Kontroller, at chokerbetjeningsgrebet er i den korrekte position: Kør-positionen (N), hvis motoren er varm, og chokerposition (L), hvis motoren er kold.
4. Motoren kan være "druknet". Tændrøret afmonteres og tørrer af.
5. Brændstofblandingen kan være ferkert eller for gammel - hvis det er tilfældet - udskift brændstoffet.
6. Kontrollér at knivens bolt er spændt til. En løs knivbolt kan medføre startbesvær.
7. Hvis motoren stadig ikke vil starte - tag tændrørsledningen af, og spørg din forhandler til råds.

### Dårlig 'svæveevne' eller manglende effekt.

1. Tag tændrørsledningen af.
2. Rens undersiden af klipperskjoldet, luftfilteret, blæseren, rundt om motoren, og luftindtagene.
3. Kontroller, at motorens chokerbetjeningsgreb er i kør-positionen. (N)
4. Brændstofblandingen kan være forkeft eller for gammel - hvis det er tilfældet - udskift brændstoffet.
5. Hvis det stadig er for dårlig "svæveevne" eller mangler effekt - tag tændrørsledningen af, og spørg din forhandler til råds.

### For kraftige vibrationer

1. Tag tændrørsledningen af.
2. Kontrollér at kniven er monteret korrekt. Se "Afmontering og montering af kniven og blæseren".
3. Hvis kniven er beskadiget eller slidt, skal den udskiftes.
4. Hvis vibrationerne fortsætter - lad være at bruge plæneklipperen - tag tændrørsledningen af, og spørg din forhandler til råds.

## Reservevedle

### Blad

Delnummer: 5119004-00

## Garanti og garantipolice

Hvis en del inden for garantiperioden viser sig at være defekt som følge af en fejlproduktion, reparerer eller udskifter Husqvarna UK Ltd. gratis via en autoriseret servicereparatør fejlen, for så vidt:-

- a) Fejlen rapporteres direkte til det autoriserede servicecenter.
- b) Der kan fremvises en købsnota.
- c) Fejlen ikke skyldes misbrug, vanrøgt eller fejljustering fra brugerens side.
- d) Fejlen ikke er opstået som følge af slitage.
- e) Maskinen ikke er blevet eftersat eller repareret, skilt ad eller pillet ved af andre personer end de af Husqvarna UK Ltd. autoriserede servicecentre.
- f) Maskinen ikke er blevet brugt til udlejning.
- g) Maskinen ikke er blevet anvendt til kommercielle formål.

\* Denne garanti udgør en tilføjelse til og mindsker på ingen måde kundens lovbestemte rettigheder. Sammenbrud på grund af det følgende er ikke dækket, og derfor er det vigtigt, at du læser instruktionerne i brugerhåndbogen og forstår, hvordan maskinen skal anvendes og håndteres:

### Fejl der ikke er dækket af garantien

- \* Svigt som resultat af ikke at have rapporteret en tidligere fejl.
- \* Svigt som følge af eller lignende slag.
- \* Sammenbrud som resultat af, at produktet ikke bruges i overensstemmelse med instruktionerne og anbefalingerne i brugerhåndbogen.
- \* Maskiner brugt til udlejning er ikke dækket af denne garanti
- \* De følgende ting er dele, der blive slidt, og deres levetid afhænger af jævnlig vedligeholdelse og er derfor ikke almindeligvis dækket af en gyldig garanti: Knive.
- \* **Forsigtig!**

Husqvarna UK Ltd. kan under garantien ikke påtage sig ansvaret for fejl, der helt eller delvist, direkte eller indirekte skyldes monteringen af reservedele eller ekstradele, der ikke er fremstillet eller godkendt af Husqvarna UK Ltd., eller at maskinen er blevet modificeret på nogen måde.

## Miljømæssige Oplysninger

Husqvarna UK Ltd. er fremstillet i henhold til et miljøstyringssystem (ISO 14001), der, hvor det er praktisk muligt, anvender komponenter, som fremstilles på den mest ansvarlige vis miljømæssigt, i overensstemmelse med virksomhedsprocedurer og med mulighed for genbrug i slutningen af produktets levetid.

- Emballagen kan genbruges, og plastikkomponenter er mærket (hvor det er praktisk muligt) med henblik på kategoriseret genbrug.
- Miljøbevidsthed er en vigtig faktor ved bortskaffelse af produkter, der er slidt op.
- Kontakt om nødvendigt Deres lokale myndigheder for at få oplysninger om bortskaffelse.

### BORTSKAFFELSE AF BRÆNDSTOFFER OG SMØREOLIER

- De skal sørge for at anvende beskyttelsestøj, når De arbejder med brændstoffer og smøremidler.
- Undgå kontakt med huden
- Fjern benzin og motorolie, inden De transporterer produktet.
- Kontakt Deres lokale myndigheder for at få oplysninger om Deres nærmeste genbrugs/affaldsstation.



Smid IKKE brugte brændstoffer/olier ud med husholdningsaffald



Affaldsbrændstoffer/affaldsolier er skadelige, men kan genbruges og bør bortskaffes ved hjælp af godkendte midler.



Smid IKKE brugte brændstoffer/olier i vand.



Må IKKE antændes

## EC OVERENSSTEMMELSESERKLÆRING

Husqvarna AB, 561 82, Huskvarna, Sweden

Vi erklærer herved under eneansvar, at produktet/produkterne:

Kategori..... **Benzin græsslåmaskine**  
Type..... **GX560**  
Identifikation af serie..... **Se Produktmærkat**  
Fremstillingsår..... **Se Produktmærkat**

Holder overensstemmelse med de væsentlige krav og bestemmelser i følgende EU-direktiver:  
**2006/42/EC, 2004/108/EC, 2000/14/EC**

på grundlag af følgende anvendte EU-harmoniserede standarder:  
**EN 836, EN55012**

Det maksimale A-vægtede lydtrykniveau,  $L_{pA}$ , for brugeren, der er registreret på et udsnit af ovennævnte produkt(er), svarer til det **niveau**, der står opgivet i skemaet.

Den maksimale vægtede hånd/arm-vibration, målt iht. EN ISO 20643 på et udsnit af ovennævnte produkt(er), svarer til den **værdi  $a_h$** , der står opgivet i skemaet.

2000/14/EF: De målte  $L_{WA}$ -værdier for målt og garanteret støjniveau er de opgivne tal i skemaet.

Procedure for overensstemmelsesvurdering..... Annex VI  
Bemyndiget organ..... Intertek, Cleeve Road  
Leatherhead, Surrey  
KT22 7SB, England

Newton Aycliffe 13/5/2011

M.Bowden

Global R&D Director – Gå bagefter

Indehaver af teknisk dokumentation



Type	GX560
Klippebredde (cm)	50.5
Klippeenhedens rotationshastighed (rpm)	3100
Mærkeeffekt (kW)	3.0
Målt støjniveau $L_{WA}$ (dB(A))	96
Garanteret støjniveau $L_{WA}$ (dB(A))	98
Niveau $L_{pA}$ (dB(A))	86.8
Usikkerhed $K_{pA}$ (dB(A))	2.5
Værdi $a_h$ (m/S <sup>2</sup> )	3.3
Usikkerhed $K_{ah}$ (m/S <sup>2</sup> )	1.5
Vægt(Kg)	16.5

Den angivne nominelle motoreffekt er den gennemsnitlige netkraftydelse (ved specificeret rpm) på en typisk produktionsmaskine for motormodellem målt i henhold til SAE-standard J1349 / ISO 1585. Masseproducerede motorer kan variere fra denne værdi. Den faktiske motorkraft for motoren, der er installeret i den endelige maskine, er afhængig af driftshastigheden, miljøforholdene og andre variabler

## PRECAUCIONES DE SEGURIDAD



Si no lo utiliza correctamente este cortacésped puede ser peligroso! Este cortacésped puede causar daños serios al operador y a otros. Siga atentamente las advertencias y medidas de seguridad para garantizar seguridad y eficacia en la utilización de este cortacésped. El operador es responsable de seguir las advertencias e instrucciones de seguridad en este manual y en el cortacésped.

### Explicación de los símbolos en su aparato



Advertencia



Lea las instrucciones del usuario con atención para asegurarse de que comprende todos los controles y para qué sirven.



Mantenga siempre el cortacésped en el suelo si está encendido. Balancear o elevar el cortacésped podría hacer que saltasen piedras.



Mantenga a los usuarios alejados del cortacésped. No utilice la máquina mientras haya personas, especialmente niños, o animales en el área que desea cortar.



Tenga cuidado con los dedos de los pies y de las manos. No ponga las manos o los pies cerca de una cuchilla rotativa.



Desconecte la bujía de encendido antes de realizar cualquier tipo de mantenimiento, limpieza o ajuste, o si va a dejar el cortacésped almacenado por cualquier periodo de tiempo.



La hoja continúa rotando después de desconectar la máquina. Esperar hasta que los componentes de la máquina hayan parado por completo antes de tocarlos.

### Generalidades

- No permita nunca a los niños o a las personas que no estén familiarizadas con estas instrucciones utilizar el cortacésped. Las regulaciones locales puede que restrinjan la edad del operador.
- Detenga el uso de la máquina mientras otras personas estén cerca, especialmente niños o animales domésticos.
- Sólo utilice el cortacésped de la forma y para las funciones descritas en estas instrucciones.
- Nunca opere el cortacésped cuando esté cansado, enfermo o bajo la influencia del alcohol, drogas o medicinas.
- El operador o el usuario es el responsable por accidentes o daños ocurridos a otras personas o a su propiedad.

### Seguridad de combustible

#### ADVERTENCIA - La gasolina es muy inflamable

- Lleve ropa de protección al manipular combustibles y lubricantes.
- Evite el contacto con la piel
- Quite la gasolina y el aceite del motor antes de transportar el producto.
- Almacene el combustible en un lugar fresco en un contenedor específicamente diseñado para este propósito. En general los contenedores de plástico no son adecuados.
- llene de combustible al aire libre y no fume mientras realiza la operación.
- añada el combustible **ANTES** de arrancar el motor. No quite nunca la tapa del depósito de combustible o añada éste con el motor funcionando o cuando esté caliente.
- si se derrama la gasolina, no intente arrancar la máquina en el mismo lugar sino retirela del lugar en donde se derramó la gasolina y evite crear una fuente de ignición hasta que los vapores de la gasolina se hayan disipado.
- vuelva a poner las tapas del depósito de combustible y del contenedor bien apretadas.
- mueva la máquina fuera del área de llenado de combustible antes de arrancarla.
- Guardar combustibles en un lugar fresco lejos de llamas.

### Preparación

- Cuando utilice la máquina lleve siempre pantalones largos y calzado fuerte. No utilice esta herramienta con los pies descalzos ni con sandalias abiertas
- Se recomienda el uso de protección para los oídos
- Asegúrese de que el césped está limpio de palos, piedras, huesos, alambres y suciedad; podrían ser lanzados por la cuchilla.
- Antes de usar la máquina y después de golpearla accidentalmente, comprobar si hay señal de desgaste o de daño y reparar si fuera necesario.
- Cambie las cuchillas desgastadas o dañadas junto con sus fijaciones a juego para preservar el equilibrio.
- Cambie los silenciadores defectuosos.

### Uso

- No arranque el motor en espacios cerrados donde se puedan acumular los humos del escape (monóxido de carbono).
- Utilice el cortacésped sólo a la luz del día o con una buena luz artificial.
- Evite utilizar el cortacésped cuando la hierba esté húmeda, siempre que sea posible.
- Tenga cuidado cuando el césped esté húmedo; podría resbalar.
- En las pendientes, tenga un cuidado extra para no resbalar, y utilice zapatos antideslizantes.
- Corte el césped de las pendientes al biés, nunca de arriba abajo o de abajo arriba.
- Tenga una precaución extrema al cambiar de dirección en las pendientes.
- Cortar el césped en riberas y pendientes puede ser peligroso. No corte el césped en **riberas** o pendientes **empinadas**.
- No ande hacia atrás cuando corte el césped, podría caerse. Siempre ande, nunca corra.
- Nunca corte el césped tirando del cortacésped hacia usted.
- Paré el motor antes de empujar el cortacésped sobre superficies sin césped y cuando transporte el cortacésped desde y hasta el área que desea cortar.
- Nunca utilice el cortacésped con las protecciones dañadas o sin poner en su lugar.
- Nunca haga que el motor funcione a sobrevelocidad o cambie las fijaciones del regulador. Una velocidad excesiva es peligrosa y reduce la vida del cortacésped.
- Desembrague los embragues de la cuchilla y de accionamiento antes de arrancar.
- Mantener las manos y los pies alejados del medio de corte en todo momento y especialmente al poner en marcha el motor.
- No inclinar el producto cuando el motor esté funcionando, excepto al arrancar y detener. En este caso, no inclinar más de lo absolutamente necesario y levantar solamente la parte que esté lejos del operador.
- Nunca levante o transporte el cortacésped con el motor funcionando.
- El alambre de la bujía de encendido puede estar caliente - tenga cuidado al tocarlo.
- No intente realizar ningún trabajo de mantenimiento en el cortacésped con el motor caliente.
- Paré el motor, y espere hasta que la cuchilla haya dejado de girar:
  - antes de dejar el cortacésped desatendido por cualquier periodo de tiempo.
- Libere el control de presencia de operador para parar la máquina, espere hasta que la cuchilla se haya parado, desconecte el cable de la bujía y espere hasta que el motor se haya enfriado:
  - antes de llenar de combustible;
  - antes de liberar un objeto atascado;
  - antes de comprobar, limpiar o trabajar en la máquina;



## PRECAUCIONES DE SEGURIDAD

- si choca con un objeto. No utilice el cortacésped hasta estar seguro de que es totalmente seguro hacerlo;
  - si el cortacésped comienza a vibrar de forma anormal. Reviselo inmediatamente. Una vibración excesiva podría causar lesiones.
- Mantenimiento y almacenamiento**
1. Precaución: No toque la(s) cuchilla(s) giratoria(s)
  2. Mantenga todas las tuercas, pernos y tornillos apretados para asegurar que el cortacésped está en una condición segura de trabajo.
  3. Por razones de seguridad cambie las piezas desgastadas o dañadas.
  4. Sólo utilice la cuchilla, perno de cuchilla, espaciador e impulsor de repuesto especificados para este producto.
  5. Nunca almacene el cortacésped con combustible en el depósito dentro de un edificio en donde los humos puedan alcanzar una llama abierta o chispa.
  6. Deje que el motor se enfríe antes de guardar la máquina en un lugar cerrado.
  7. Para reducir el peligro de fuego, mantenga el motor, silenciador, compartimiento de la batería y el área de almacenamiento del combustible libres de césped, hojas o grasa excesiva.
  8. Si tiene que vaciar el depósito de combustible, hágalo al aire libre.
  9. Guarde en un lugar seco y frío y fuera del alcance de los niños. No almacene en el exterior.

## Montaje (sin ruedas)

### Montaje del manillar inferior del cortacésped

1. Colocar el gancho (A2) unido a la manija inferior (A1) hasta la mitad de la ranura central de la guía (A3) en la dirección indicada por la flecha (A4).
2. Manteniendo el gancho (A2) en la ranura central de la guía (A3) girar la manija inferior (A1) 90 ° en el sentido de las agujas del reloj para colocar ambas patas de la manija inferior en su posición correcta entre los soportes (A5).
3. Insertar los pasadores (B1) y asegurar con las pinzas de sujeción (B2).

Instalación de la manija superior en la manija inferior **ANTES** de instalar la manija superior en la manija inferior, estabilizar la manija inferior levantando el gancho (C1) hasta la posición de "aparcamiento" (C2).

1. Asegúrese de que la palanca de control del estrangulador está al lado izquierdo según se mira desde atrás.
2. Alinear los manillares superior e inferior (ver figura D). Montar los tornillos (D1), arandelas (D2), y asegurarlos con las tuercas de palomilla (D3).
3. Una los cables a los mangos con los amarres de cable provistos, asegurándose de que los cables no queden atrapados entre los mangos superior e inferior.

## Montaje (con ruedas)

1. Instale el mango inferior (E1) en la plataforma con el pasador del mango inferior (E2) según se ilustra en la Fig. E.
2. Instale las ruedas (F1) al marco de la rueda (F2) con los clips de retención de la rueda según se ilustra en la Fig. F.
3. Instale el marco de la rueda (G1) a la plataforma con el perno del mango inferior (G2), pequeña arandela (G3), arandela grande (G4) y contratuerca (G5) según

se ilustra en la Fig. G.

4. Localice los tubos telescópicos inferiores (H1) en el interior de los tubos telescópicos superiores (H2) y asegúrelos con el pasador (H3) y el clip de retención (H4) según se ilustra en la Fig. H.

Instale el mango superior al inferior siguiendo las instrucciones dadas anteriormente en la sección 'Montaje (sin ruedas)'

## Posición de la manija

La posición de la manija puede ajustarse usando el conjunto de gancho y guía. Para ajustar la posición de la manija:

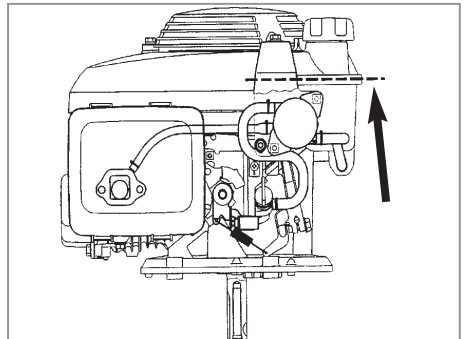
1. Levantar el gancho (C1).

2. Colocar en la posición necesaria: (C2) - Posición de "aparcamiento" (C3) - Posición de "cortar".

## Combustible

Utilice gasolina nueva, limpia, normal y sin plomo para coches

No llene el depósito de combustible en un lugar cerrado, cuando el motor esté caliente o cuando esté fumando o cerca de una llama desnuda. Limpie bien alrededor del tapón de llenado del depósito de combustible, así evitará que se introduzca la suciedad dentro del sistema de combustible. El combustible deberá almacenarse en un lugar frío y alejado de llamas desnudas. No llene el depósito mientras el motor está funcionando. Llene el depósito de combustible con un embudo que tenga un filtro fino. Nunca llene el depósito por completo, llene sólo hasta la base del cuello de llenado. Cuando llene el depósito de combustible desde vacío, o cuando el motor haya funcionado hasta acabar la gasolina, deberá agregar un mínimo de 400cc de combustible (al nivel de la línea indicada en el diagrama) con el fin de asegurar el cebado correcto de la bomba de combustible para arrancar el motor. El carburador está preajustado. Normalmente no se necesita hacer ningún otro ajuste.



## Aceite

Utilice aceite detergente de motor de automóvil de 4 golpes. Se recomienda SAE 10W-30 para uso general.

Llene con aceite según se indica en el Manual del Propietario del Motor provisto con la máquina.

## Arranque y Parada

Para poner en marcha el cortacésped

1. Llevar el manillar hasta la posición de aparcamiento (C2).
2. Conectar el cable de la bujía. (J)
3. Abra el tapón de combustible (K).
4. Mueva la palanca de control del estrangulador a la posición 'Choke' ('Estrangulador') (L) cuando se arranca en frío, o a la posición 'Run' ('Marcha') (N) cuando se arranca en caliente.
5. Tire y retenga firmemente el Control de Presencia del Operario hacia el mango superior.
6. Coloque el pie derecho con firmeza sobre la plataforma y agarre la parte superior del mango inferior con la mano izquierda. Incline la cortadora de césped hacia usted (M). Esto asegura que la máquina esté en una posición fuera de peligro cuando la arranque y que también evite el corte de un círculo antiestético en su césped.
7. Tire del maneral de arranque suavemente hasta notar una resistencia, deje retornar el maneral de arranque lentamente.

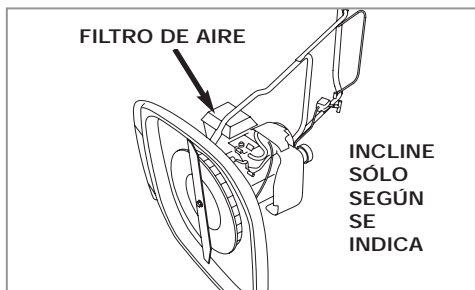
8. Tire ahora del maneral de arranque firmemente hacia usted hasta que esté totalmente extendido.
9. Deje que el motor alcance su régimen de giro alto y entonces suavemente dejar reposar el cortacésped sobre el suelo.
10. Cuando el motor se ha calentado, asegurese que la palanca de control se encuentra en la posición 'normal' (N).

**Paro del Cortacésped**

- La cuchilla sigue girando después de apagar el motor; las cuchillas giratorias pueden causar daño.
1. Suelte el Control de Presencia del Operario.
  2. Inclinarse la segadora hasta que el motor pare de gira. Con este movimiento evitará que se salga un aro del cortador.
  3. Cuando el motor se haya parado, volver a dejar reposar el cortacésped sobre el suelo.
  4. Ponga el manillar en la posición de Aparcamiento (C2).
  5. Cierre el tapón de combustible (K).

## IMPORTANTE

Antes de realizar el servicio de la parte inferior de su máquina, cierre el tapón de combustible, deje que la máquina funcione hasta que se pare, desconecte el cable de la bujía de encendido e **INCLINE LA MÁQUINA SOBRE UN LATERAL CON EL FILTRO DE AIRE EN LO ALTO.**



## Para Cortar el Césped

- Antes de su uso, siempre deberá comprobar visualmente si las cuchillas o los pernos se hallan desgastados o dañados.
1. Coloque el mango en la posición para cortar el césped (D3).
  2. Segar dos veces por semana en la época de crecimiento del césped. Su césped sufrirá si se recorta más de una tercera parte de su longitud en una sola sesión.
- Mantenga las manos y los pies alejados de la cuchilla. La cuchilla no se ve cuando está girando.
  - El corte del césped en ribazos y pendientes

puede ser peligroso. Evite el uso del cortacésped en pendientes empinadas.

- Mantenga siempre el pie sobre terreno llano con el cortacésped detrás sobre el plano inclinado y con la bujía de encendido en lo alto para evitar que el aceite de lubricación pase al cilindro.
- No utilice este cortacésped en pendientes húmedas o de más de 45° con relación a la horizontal.
- Nunca empuje el cortacésped hacia arriba de la pendiente.

## Ajuste de Alto de Corte

- Nunca deberá usar más de 2 espaciadores de altura de corte.
  - Los espaciadores solamente pueden colocarse entre la cuchilla y el ventilador y nunca entre la cuchilla y el perno. (P)
1. Cuando haya parado el motor, asegúrese de que el Control de Presencia del Operario se halla suelto. Desconecte el cable de la bujía.
  2. Cierre el tapón de combustible (K). Inclinarse el

cortacésped apoyándolo sobre un lado.

3. Quite el perno de la cuchilla (P1) y la cuchilla (P2) según se describe en 'Desmontaje de la cuchilla y del ventilador'.
4. Para un corte más bajo, añada espaciadores (P3) hasta un máximo de 2.
5. Para un corte más alto, quite espaciadores (P3).
6. Vuelva a instalar la cuchilla según se describe en 'Instalación de la cuchilla y del ventilador'.

## Montaje y Desmontaje de la Cuchilla y del Ventilador

La cuchilla se deberá manejar siempre con cuidado. Los filos cortantes pueden causar daño. UTILICE GUANTES. El cable de la bujía puede estar caliente - manéjese con cuidado.

**Desmontaje de la Cuchilla y del Ventilador**

- Cambie la cuchilla metálica al cabo de 50 horas de funcionamiento, o a los 2 años a más tardar, aunque parezca hallarse en buen estado.
  - Si la cuchilla se hallare agrietada o dañada, sustitúyase por una nueva.
1. Cerciórese de que se ha soldado el Control de Presencia del Operario cuando haya parado el

motor y la cuchilla haya cesado de girar, y desconecte el cable de la bujía.

2. Cierre totalmente el tapón de combustible (K).
3. Ponga el cortacésped sobre un lado con el filtro de aire en lo alto (ver dibujo arriba).
4. Para quitar el perno de la cuchilla (P1), sujete firmemente el ventilador (P4) y, con la llave suministrada, afloje el perno de la cuchilla girando a la izquierda.
5. Quite el perno de la cuchilla (P1), la cuchilla (P2), los espaciadores (P3) y el ventilador (P4).
6. Compruebe el buen estado y limpie si fuera necesario.

### Montaje de la Cuchilla y del Ventilador

- Antes de su uso, siempre deberá comprobar visualmente si las cuchillas o los pernos se hallan desgastados o dañados.
  - Nunca se deberán usar más de 2 espaciadores de altura de corte.
  - Los espaciadores solamente se podrán colocar entre la cuchilla y el ventilador y nunca entre la cuchilla y el perno.
1. Cerciórese de que el ventilador se halla colocado correctamente.
  2. Coloque los espaciadores (P3) sobre el ventilador,

- asegurando que los salientes (P5) se hallan situados en los agujeros (P6).
3. Coloque la cuchilla (P2) sobre los espaciadores (P3), asegurando que los salientes (P7) han entrado en los agujeros (P8) de la cuchilla, y asegurando que la cuchilla se halla situada como se ilustra en la Figura P.
  4. Coloque el perno (P1) de la cuchilla por el agujero central (P9) de la cuchilla.
  5. Apriételo a mano girando hacia la derecha.
  6. Sujete firmemente el ventilador y apriete el perno de la cuchilla con la llave suministrada.

## Bujía de encendido

Una bujía de encendido aceitosa o con carbón dificulta el arranque de la máquina y disminuye la eficacia del motor. Quite periódicamente la bujía de encendido y límpie y ajuste cuando sea necesario.

Ajuste de separación 0,028 – 0,031".  
No quite la bujía de encendido con el motor caliente.  
No limpie la bujía de encendido con chorro de arena.

## Limpieza del filtro de aire

- Q1 – Conducto de aire
- Q2 – Cuerpo del filtro de aire
- Q3 – Filtro
- Q4 – Apéndice de enganche
- Q5 – Tapa del filtro de aire

Nunca deje funcionar el motor sin filtro o con un filtro sucio, se reduciría mucho la eficacia del motor y se producirían daños al motor. Este cortacésped lleva instalado un filtro de aire, cuyo mantenimiento es como sigue:-

- Compruebe el filtro después de cada uso.
- Limpie el filtro cada 25 horas o más frecuentemente cuando se usa en zonas polvorientas.
- Sustituya el filtro después de 200 horas.

1. Empuje los apéndices de enganche situados encima de la cubierta del filtro de aire y quite la cubierta.
2. Compruebe que el filtro está limpio y en buenas condiciones.

### Si el filtro está sucio:-

- Golpee el filtro de aire varias veces sobre una superficie dura para quitar la suciedad, o sople aire comprimido por el filtro de aire desde el lado limpio que enfrenta al motor. No trate nunca de quitar la suciedad con un cepillo. Cepillando el filtro introducirá la suciedad en las fibras.
- 3. Limpie la suciedad del cuerpo del filtro de aire y de la cubierta con un trapo húmedo. Tenga cuidado de evitar que entre la suciedad en el conducto de aire que lleva al carburador.
- 4. Vuelva a poner el filtro y la cubierta.

## Cómo Cuidar el Cortacésped

Si usted no pretende utilizar su cortacésped durante un largo periodo de tiempo, es aconsejable seguir este procedimiento después de su uso:

1. Parar el motor
2. Cierre totalmente el tapón de combustible (K)
3. Echar a correr el motor
4. Cuando el combustible se va acabando el motor comenzará a pararse, en tal caso, incline el cortacésped ligeramente.
5. Una vez el motor se ha parado, suelte el Control de Presencia del Operario.
6. Desconectar el cable de la bujía.
7. Vacíe todo el combustible del depósito.

### Limpieza

- **UTILICE GUANTES**
- Mantenga limpio el cortacésped. Las briznas de hierba que queden en las entradas de aire, junto al motor o debajo de la plataforma pueden convertirse en un peligro de incendio.
- Evite la limpieza con productos químicos, incluyendo gasolina o disolventes - algunos de ellos pueden destruir componentes importantes de plástico.

1. Quite el césped de debajo de la plataforma con un trozo de madera u objeto semejante.
2. Utilice un cepillo blanco para quitar el césped cortado de junto al motor, y de todas las entradas de aire.
3. Quite el ventilador, (Vea "Montaje y Desmontaje de la Cuchilla y del Ventilador"), y límpielo con un cepillo blanco.
4. Limpie la superficie del cortacésped con un trapo seco.

### Transporte del cortacésped

- Ponga el tapón de combustible en posición off (cerrado) y transporte el cortacésped en posición horizontal.
- No transporte nunca el cortacésped cuando está funcionando.

### Almacenaje del cortacésped

Ponga el tapón de combustible en la posición off (cerrado) y almacénelo en un lugar frío, seco, a prueba de humedad y seguro con el motor en posición horizontal. Revise el cortacésped después de cortar el césped por última vez en la temporada, como sigue:

1. Parar el motor
2. Cierre totalmente el tapón de combustible (K)
3. Echar a correr el motor
4. Cuando el combustible se va acabando el motor comenzará a pararse, en tal caso, incline el cortacésped ligeramente.
5. Una vez el motor se ha parado, suelte el Control de Presencia del Operario.
6. **Desconectar el cable de la bujía.**
7. Vacíe todo el combustible del depósito.
8. Quite el cable de la bujía y la bujía. Eche una cucharadita (5ml) de aceite por el agujero de la bujía. Tire de la manivela de puesta en marcha dos o tres veces. Con ello, distribuirá el aceite en las superficies interiores del motor. Examine, limpie y vuelva a colocar la bujía. Si precisa una bujía nueva, póngase en contacto con el Centro de Servicio/Agente local aprobado de . **No vuelva a conectar el cable de la bujía.**
9. Limpie el filtro de aire. Vea "Limpieza del Filtro de Aire".
10. Cambie la cuchilla si se halla agrietada, dañada o doblada. Cambie el perno de la cuchilla si fuere necesario. Vea "Montaje y Desmontaje de la Cuchilla y del Ventilador" para las instrucciones completas.
11. Utilice solamente componentes y accesorios auténticos Flymo especificados para el cortacésped.
12. Limpie completamente el cortacésped. Vea "Limpieza".
13. Su Centro local de Servicio/Agente aprobado de realizará los trabajos de servicio o reparación requeridos.
14. Guarde el cortacésped en lugar fresco, seco y seguro.

## Sugerencias para Encontrar Fallas

### El motor no arranca

1. Asegúrese de que el Control de Presencia del Operario se halla firmemente agarrado junto al mango superior.
2. Compruebe que hay suficiente combustible en el depósito de combustible y que el tapón de combustible está abierto.
3. Compruebe que la palanca de control del estrangulador está en posición correcta:- Posición 'Run' (Marcha) (N) – con el motor caliente, y posición 'Choke' ('Estrangulador') (L) – con el motor frío.
4. El motor podría estar anegado. Desmontar la bujía y secarla.
5. La mezcla del combustible podría ser incorrecta o descompuesta; en tal caso sustituir.
6. Verifique si el tornillo de fijación de la cuchilla esta apretado. Un tornillo de la cuchilla flojo podría causar dificultades de puesta en marcha.
7. Si el motor continúa sin arrancar, desconecte el cable de la bujía y consulte al Concesionario Oficial de su localidad.

### Flotación pobre o falta de potencia

1. Desconecte el cable de la bujía.
2. Limpie la cara inferior de la capota, el filtro de aire, el ventilador, contornos del motor y la admisión de aire.
3. Compruebe que la palanca de control del estrangulador está en posición 'Marcha' (N).
4. La mezcla de combustible puede ser incorrecta o puede estar degradada. Si es así, sustitúyala.
5. Si la flotación sigue siendo pobre o la falta de potencia persiste, desconecte el cable de la bujía y acuda al Concesionario Oficial de su localidad.

### Vibraciones excesivas

1. Desconecte el cable de la bujía.
2. Compruebe que la cuchilla está fijada correctamente. Ver 'Montaje y desmontaje de la cuchilla y del ventilador'.
3. Si la cuchilla esta dañada o gastada, sustitúyala.
4. Si las vibraciones persisten - no haga uso del cortacésped - desconecte el cable de la bujía y acuda al Concesionario Oficial de su localidad.

## Piezas de repuesto

### Cuchilla

Número de pieza: 5119004-00

## Garantía y Póliza de Garantía

### Garantía y Póliza de Garantía

Si se encuentra alguna pieza defectuosa debido a una fabricación incorrecta dentro del período de garantía, Husqvarna UK Ltd., a través de sus Reparadores de Servicio Autorizados, efectuarán la reparación o la sustitución gratuitamente para el cliente, con tal de que:-

- a) Se informe el fallo directamente al Reparador Autorizado.
  - b) Se provea prueba de compra.
  - c) El fallo no es el resultado de maltrato, descuido o mal ajuste por el usuario.
  - d) El fallo no haya ocurrido por uso y desgaste normal.
  - e) La máquina no haya tenido reparaciones o servicio, desmantelaje o interferencia por personas sin la autorización de Husqvarna UK Ltd.
  - f) La máquina no haya tenido uso de alquiler.
  - g) La máquina es la propiedad del comprador original.
  - h) La máquina no haya tenido uso comercial.
- \* Esta garantía es adicional a, y de ninguna manera disminuye, los derechos legales del cliente.

Los fallos debidos a lo siguiente no están cubiertos por la garantía, por lo que es importante leer las

instrucciones contenidas en el Manual del Operario y comprender cómo operar y mantener la máquina:

### Fallos no cubiertos por la garantía

- \* Fallos que resulten de no haber informado un fallo inicial.
- \* Fallos que resulten de impactos repentinos.
- \* Los fallos debidos a no haber utilizado el aparato según las instrucciones y recomendaciones contenidas en el manual del operario.
- \* Máquinas que se usen para alquiler no están cubiertas por esta garantía.
- \* Los siguientes elementos listados se consideran piezas de desgaste y su duración depende de su mantenimiento regular y no están, por lo tanto, sujetos normalmente a una reclamación de garantía válida: Hojas.
- \* **Atención!** Husqvarna UK Ltd. no acepta responsabilidad bajo la garantía por defectos causados total o parcial, directa o indirectamente por el montaje de repuestos o partes adicionales que no sean de manufactura aprobada por Husqvarna UK Ltd., o si la máquina ha sido modificada en cualquier forma.

## Información Ecológica

Husqvarna Outdoor Products fabrica sus productos bajo el Sistema de Gestión Ambiental (ISO 14001) utilizando siempre que sea práctico hacerlo, componentes fabricados de la forma más responsable con el medio ambiente, según los procedimientos de la empresa y con el potencial de poder reciclarlos al final de la vida útil del producto.

- El embalaje es reciclable y los componentes de plástico han sido etiquetados (siempre que sea práctico) para el reciclado categorizado.
- Deberá eliminar el producto al 'final de su vida útil' de forma responsable con el medio ambiente.
- Si fuera necesario, consulte con la autoridad local para obtener información acerca de la mejor forma de desechar el producto.

### ELIMINACIÓN DE COMBUSTIBLES Y ACEITES

#### LUBRICANTES

- Lleve ropa de protección al manipular combustibles y lubricantes.
- Evite el contacto con la piel
- Quite la gasolina y el aceite del motor antes de transportar el producto.
- Contacte con la autoridad local para recibir información acerca de cuál es la estación más cercana de reciclado/vertedero.



NO elimine los combustibles/aceites usados con los desperdicios domésticos.



Los combustibles/aceites de desecho son perjudiciales, pero pueden ser reciclados y deberán eliminarse a través de un servicio reconocido.



NO elimine los combustibles/aceites usados en el agua.



NO la incinere

## EC DECLARACIÓN DE CONFORMIDAD

Husqvarna AB, 561 82, Huskvarna, Sweden

Declaramos bajo nuestra exclusiva responsabilidad que el producto(s):

Categoría.....**Cotadora de césped de gasolina**

Tipo.....**GX560**

Identificación de la serie.....**Ver Etiqueta de Identificación Del**

Año de Construcción.....**Ver Etiqueta de Identificación Del**

Tiene conformidad con los requisitos esenciales y disposiciones de las siguientes Directivas de la CE:  
**98/37/EEC (hasta 28.12.09), 2006/42/EC (desde 29.12.09), 2004/108/EC, 2000/14/EC**

Basadas en las siguientes normativas armonizadas de la UE aplicadas:

**EN 836, EN55012**

El nivel de presión  $L_{pA}$  de ruido ponderado A máximo en la posición del operario, registrado en una muestra del producto(s) anterior, corresponde al Nivel dado en la tabla.

El valor máximo ponderado de vibración de la mano/brazo medido según la norma EN ISO 20643 en una mezcla del producto(s) anterior, corresponde al Valor  $a_h$  dado en la tabla.

2000/14/CE: Los valores  $L_{WA}$  de potencia de ruido medido y potencia de ruido garantizado tienen conformidad con las cifras tabuladas.

Procedimiento de evaluación de conformidad..... Annex VI

Organismo notificado..... Intertek, Cleeve Road  
Leatherhead, Surrey  
KT22 7SB, England

Newton Aycliffe 13/5/2011

M.Bowden

Director Global dde I+D - Que se empuja

Archivo de documentación técnica



Tipo	GX560
Anchura de corte (cm)	50.5
Velocidad de rotación del dispositivo de corte (rpm)	3100
Potencia Nominal (kW)	3.0
Potencia sonora medida $L_{WA}$ (dB(A))	96
Potencia sonora garantizada $L_{WA}$ (dB(A))	98
Nivel $L_{pA}$ (dB(A))	86.8
Incertidumbre $K_{pA}$ (dB(A))	2.5
Valor $a_h$ (m/s <sup>2</sup> )	3.3
Incertidumbre $K_{ah}$ (m/s <sup>2</sup> )	1.5
Peso (Kg)	16.5

La clasificación de potencia del motor(es) indicada es la capacidad neta media (al rpm especificado) de un motor de producción típico para el modelo de motor medido a la normativa SAE J1349 / ISO 1585. Los motores de producción en masa podrían diferir de este valor. La potencia real del motor para el motor final instalado en la máquina dependerá de la velocidad de funcionamiento, condiciones ambientales y otras variables

# PRECAUÇÕES DE SEGURANÇA



Se não for utilizada adequadamente, esta máquina de cortar relva pode ser perigosa! Ela pode causar lesões sérias ao operador e a outros; as advertências e instruções de segurança devem ser cumpridas para garantir uma segurança e eficácia razoáveis ao utilizar esta máquina. O operador é responsável pelo cumprimento das instruções de advertência e segurança deste manual e da máquina de cortar relva.

## Explicação dos Símbolos do Seu Produto



Advertência



Leia as instruções do utilizador cuidadosamente para ter a certeza de que compreende todos os controlos e a sua função



Mantenha sempre a máquina de cortar relva sobre o chão quando estiver a cortar relva. Se inclinar ou levantar a máquina poderá provocar a projecção de pedras.



Mantenha os observadores afastados. Não corte a relva enquanto houver pessoas, especialmente crianças e animais, na área que vai cortar.



Cuidado para não cortar os dedos dos pés ou as mãos. Não coloque as mãos ou os pés perto de uma lâmina rotativa.



Desligue a vela de ignição antes de tentar executar qualquer trabalho de manutenção, limpeza ou ajuste, ou sempre que deixar a máquina de cortar relva sem supervisão durante algum tempo.



A lâmina continua a girar depois da máquina ser desligada. Espere até que todos os componentes estejam completamente parados antes de lhes tocar.

## Generalidades

1. Não permita a utilização da máquina de cortar relva por crianças ou pessoas não familiarizadas com estas instruções. Os regulamentos locais podem restringir a idade do operador.
2. Interrompa a utilização da máquina se houver pessoas, sobretudo crianças ou animais, nas imediações.
3. Utilize a máquina de cortar relva apenas do modo e para as funções descritas nestas instruções.
4. Nunca use a máquina de cortar relva quando estiver cansado, doente ou sob a influência de álcool, drogas ou medicamentos.
5. O operador ou utilizador é responsável por acidentes ou perigos causados a outras pessoas ou à propriedade das mesmas.

## Segurança do Combustível

### ADVERTÊNCIA - A gasolina é altamente inflamável

- Use vestuário de protecção ao manusear os combustíveis e lubrificantes.
- Evite o contacto com a pele.
- Retire a gasolina e o óleo de motor antes de transportar o produto.
- Guarde o combustível em local fresco e num recipiente concebido especificamente para o efeito. De um modo geral os recipientes plásticos são inadequados.
- o abastecimento de gasolina deve ser feito apenas ao ar livre; não fume enquanto o fizer.
- adicione o combustível ANTES de fazer o arranque do motor. Nunca retire a tampa do depósito de combustível nem adicione combustível enquanto o motor estiver a funcionar ou enquanto ele estiver quente.
- se derramar gasolina, não tente fazer o arranque do motor; leve a máquina para longe da área do derrame e evite criar qualquer fonte de ignição até os vapores de gasolina se terem dissipado.
- volte a colocar as tampas do depósito de gasolina e do recipiente de gasolina, fechando-as bem.
- antes de fazer o arranque do motor, leve a máquina para longe da área de abastecimento de combustível.

- O combustível deve ser armazenado num local fresco a afastado de quaisquer chamas vivas.

## Preparação

1. Quando utilizar o seu produto use sempre calçado resistente e calças compridas. Não utilize o equipamento com os pés descalços ou com sandálias abertas.
2. É recomendado o uso de protecção para os ouvidos
3. Certifique-se de que não existem paus, pedras, ossos, arames e detritos na relva; estes podem ser projectados pela lâmina.
4. Antes de utilizar a máquina, e após qualquer choque, verifique se há sinais de desgaste ou danos e repare-os se for necessário.
5. Substitua as lâminas gastas ou danificadas juntamente com os seus dispositivos de fixação em grupos, para manter o equilíbrio.
6. Substitua os silenciadores avariados.

## Utilização

1. Não opere o motor num espaço restrito onde os gases de escape (monóxido de carbono) se possam acumular.
2. Use a máquina de cortar relva apenas à luz do dia ou com boa luz artificial.
3. Sempre que possível, evite usar a máquina em relva molhada.
4. Tome cuidado quando trabalhar sobre relva molhada porque pode perder o equilíbrio.
5. Seja especialmente cuidadoso nos declives, adoptando uma posição firme, e usando calçado que não escorregue.
6. Corte a relva de declives deslocando-se à largura da face dos mesmos e nunca para cima e para baixo.
7. Seja extremamente cuidadoso quando mudar de direcção nos declives.
8. Pode ser perigoso cortar a relva de declives e margens. Não corte a relva em **encostas** ou declives **íngremes**.
9. Não recue ao cortar a relva, pois pode tropeçar. Ande sempre com um passo moderado. Não corra nunca.
10. Nunca corte a relva dirigindo a máquina para si.
11. Pare o motor antes de empurrar a máquina de cortar relva sobre superfícies não relvadas e quando a transportar para e da área cuja relva vai ser cortada.
12. Nunca opere a máquina de cortar relva com as protecções danificadas ou sem as mesmas no seu lugar.
13. Não trabalhe com o motor a velocidades excessivas nem altere o ajuste do regulador. Uma velocidade excessiva é perigosa e reduz a vida útil da máquina de cortar relva.
14. Antes de fazer o arranque do motor, desengate todas as lâminas e embraiagens.
15. Mantenha as mãos e os pés sempre afastados dos dispositivos de corte, especialmente quando ligar o motor.
16. Não vire a máquina com o motor a trabalhar, excepto ao arrancar e parar. Neste caso, não vire mais do que for absolutamente necessário, e levante apenas a parte que estiver mais afastada do operador.
17. Nunca levante ou transporte uma máquina de cortar relva com o motor a funcionar.
18. O fio da vela de ignição pode estar quente - manuseie com cuidado.
19. Não tente executar qualquer trabalho de manutenção na sua máquina de cortar relva enquanto o motor estiver quente.
20. Pare o motor e espere até a lâmina parar:-
  - antes de deixar a máquina de cortar relva sem supervisão durante um certo intervalo de tempo.
21. Solte o Controlo de Presença do Operador a fim de parar o motor, espere até a lâmina parar, desligue o cabo da vela de ignição e espere até o motor arrefecer:-
  - antes de reabastecer com combustível;
  - antes de eliminar uma obstrução;
  - antes de verificar, limpar ou executar qualquer trabalho na máquina;
  - se bater contra um objecto. Não utilize a máquina de cortar relva até se certificar de que ela está em condições operacionais seguras;

## PRECAUÇÕES DE SEGURANÇA

- se a máquina começar a vibrar de maneira anormal. Verifique imediatamente. Uma vibração excessiva pode provocar ferimentos.

### Manutenção e Armazenamento

1. Cuidado: Não toque na(s) lâmina(s) rotativa(s)
2. Mantenha todas as porcas, cavilhas e parafusos apertados, para ter a certeza de que a máquina de cortar relva está em condições operacionais seguras.
3. Por razões de segurança, substitua as peças gastas ou danificadas.
4. Use apenas a lâmina, parafuso da lâmina, espaçador e rotor especificados para este produto.
5. Nunca guarde a máquina de cortar relva com o depósito

- com combustível num edifício onde os vapores possam entrar em contacto com chamas desprotegidas ou faíscas.
6. Deixe o motor arrefecer antes de guardar a máquina em qualquer recinto.
7. Para reduzir o risco de incêndio mantenha o motor, silenciador, compartimento da bateria e área de armazenamento de combustível isentos de relva, folhas ou massa lubrificante excessiva.
8. Se tiver de drenar o depósito de combustível, faça-o ao ar livre.
9. Guardar em local fresco e seco, fora do alcance das crianças. Não guardar no exterior.

## Montagem (sem rodas)

### Montagem do manipulador inferior da máquina

1. Introduza o gancho (A2) preso à pega inferior (A1) até à metade na ranhura central do guia (A3) na direcção indicada pela seta (A4).
2. Mantendo o gancho (A2) na ranhura central do guia (A3) rode a pega inferior (A1) 90° para a direita para colocar ambas as pernas da pega inferior na posição entre os suportes da capota (A5).
3. Introduza os pinos (B1) e prenda-os com os clips de fixação (B2).

### Montagem da Pega Superior na Pega Inferior

**ANTES** de montar a pega superior na pega inferior, estabeleça a pega inferior levantando o gancho (C1) até à posição de "estacionamento" (C2).

1. Certifique-se de que a alavanca de controlo do estrangulador fica do lado esquerdo quando observada pela traseira.
2. Alinhe os manipuladores inferior e superior (veja a fig. D). Localize os parafusos (D1) anilhas (D2) e aperte com os botões do manipulador (D3).
3. Coloque os cabos nas pegas usando as braçadeiras de cabos fornecidas e certificando-se de que eles não ficam presos entre as pegas superior e inferior.

## Montagem (com rodas)

1. Monte a pega inferior (E1) na coberta com o pino da pega inferior (E2) como mostrado na Fig. E
2. Ligue as rodas (F1) à armação da roda (F2) com os grampos de retenção da roda (F3) como mostrado na Fig. F.
3. Monte a armação da roda (G1) na coberta com o parafuso da pega inferior (G2), anilha pequena (G3), anilha grande (G4) e porca de segurança (G5) como mostrado na Fig. G.

4. Coloque os tubos telescópicos inferiores (H1) dentro dos tubos telescópicos superiores (H2) e segure com o pino (H3) e grampo de retenção (H4) como mostrado na Fig. H.

Monte a pega superior na pega inferior seguindo as instruções indicadas acima na secção "Montagem (sem rodas)".

## Posição da Pega

A posição da pega pode ser ajustada utilizando o conjunto de guia e gancho. Para ajustar a posição da pega:

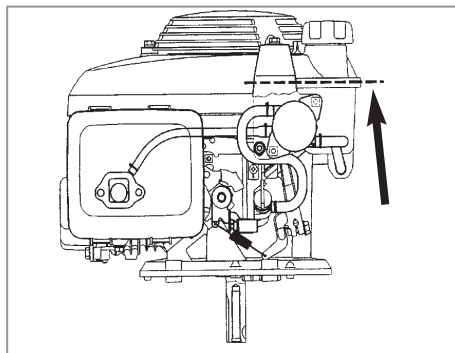
1. Levante o gancho (C1)

2. Posicione como desejar:  
(C2) - Posição de "Estacionamento"  
(C3) - Posição de "Funcionamento".

## Combustível

Use gasolina normal sem chumbo, nova e limpa, para motor de automóvel.

Não encha o depósito de combustível em área confinada quando o motor estiver quente, ou se estiver a fumar ou junto de uma chama nua. Limpe cuidadosamente em volta do bujão de enchimento do depósito de combustível antes de encher o depósito; isto ajuda a evitar a entrada de sujidade no sistema de combustível. O combustível deve ser armazenado num local fresco afastado de chamas nuas. Não encha o depósito com o motor a funcionar. Encha o depósito de combustível usando um funil provido de um filtro fino. Nunca encha o depósito de combustível completamente; encha apenas até à base do pescoço do orifício de enchimento. Quando encher um depósito de combustível vazio, ou se o motor tiver funcionado a seco anteriormente, deve adicionar no mínimo 400 cm<sup>3</sup> de combustível (até ao nível da linha indicada no diagrama) para assegurar que a bomba de combustível é escorvada correctamente para pôr o motor a funcionar. O seu carburador foi pré-ajustado. Normalmente não é necessário nenhum ajuste adicional.



## Óleo

Use um óleo detergente para motor de automóvel a quatro tempos. Recomenda-se a utilização de óleo SAE 10W-30 para utilização geral.

Encha com óleo de acordo com as instruções do seu Manual do Proprietário do Motor que é fornecido com o produto.

## Ligar e Desligar

### Como Arrancar O Corta-Relva

1. Mova o manípulo para a posição de estacionamento (C2).
2. Ligue o fio da vela de ignição. (J)
3. Abra a torneira de combustível (K).
4. Coloque a alavanca de controlo do estrangulador na posição "Estrangulador" (L) quando fizer o arranque a frio e na posição "Funcionamento" (N) quando fizer o arranque a quente.
5. Puxe e segure firmemente o comando de presença do operador contra a pega superior.
6. Coloque o pé direito com firmeza sobre a carcaça e segure no topo da pega inferior com a mão esquerda. Incline o aparador de relva na sua direcção (M). Isto garante que o produto está bem seguro quando fizer o seu arranque e também evita que corte um anel deslegante no seu relvado.
7. Puxe suavemente o manípulo do arranque, até sentir uma determinada resistência; solte lentamente o manípulo do arranque.

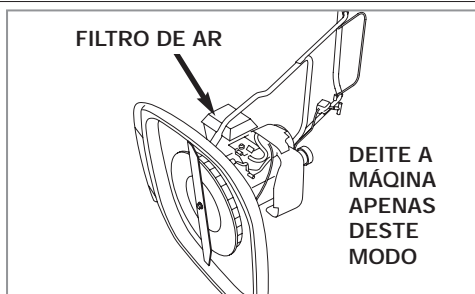
8. Puxe com força o manípulo do arranque na sua direcção e na extensão total.
9. Deixe o motor atingir as rotações máximas depois baixe a máquina para o chão.
10. Quando o motor atingir a temperatura ideal, certifique-se de que a alavanca de comando está na posição 'normal' (N).

### Como Parar O Corta-Relva

- A lâmina continua a rodar depois da máquina ter sido desligada, lâminas rodando podem causar ferimentos.
1. Solte o Comando de Presença do Operador.
  2. À medida que o motor pára, incline ligeiramente a máquina de cortar relva. Isto evita que o anel na máquina seja cortado.
  3. Quando o motor parar, baixe a máquina para o chão.
  4. Coloque o manípulo na posição de estacionamento (C2).
  5. Feche a torneira de combustível (K).

## IMPORTANTE

Antes de efectuar qualquer trabalho de manutenção da parte inferior da sua máquina, feche a torneira de combustível, deixe o motor a funcionar até parar, desligue o cabo da vela de ignição e DEITE A MÁQUINA DE LADO COM O FILTRO DE AR VOLTADO PARA CIMA.



## Como Cortar a Relva

- Antes de usar inspeccione sempre visualmente para verificar se as lâminas não estão desgastadas ou danificadas.
1. Coloque a pega na posição de cortar relva (C3).
  2. Corte a relva duas vezes por semana na estação de crescimento. É prejudicial para a relva cortar mais do que 1/3 do seu comprimento de uma só vez.
  - Conserve os pés e mãos afastados da lâmina, uma lâmina em rotação não é visível.
  - Cortar a relva em rampas e declives pode ser perigoso. Não corte relva em declives íngremes.
- Num declive, mantenha-se sempre com os pés bem firmes sobre chão plano, e com a máquina de cortar relva posicionada sobre o declive abaixo de si, e com a vela de ignição na parte superior para evitar que o óleo lubrificante se escoe para o interior do cilindro.
  - Não use esta máquina de cortar relva em declives molhados ou com uma inclinação com a horizontal superior a 45°.
  - Nunca empurre a máquina de cortar relva pelo declive acima.

## Ajustar a Altura do Corte

- Nunca use mais que 2 espaçadores de altura de corte.
  - Os espaçadores só podem ser montados entre a lâmina e a ventoinha e nunca entre a lâmina e o parafuso. (P)
1. Certifique-se que o Controlo de Presença do Operador está solto, quando o motor parar de rodar - desligue o cabo da vela de ignição.
  2. Feche a torneira de combustível (K). Turn your lawnmower on its side.
  3. Retire o parafuso da lâmina (P1) e a lâmina (P2) como descrito na secção "Remoção da Lâmina e da Ventoinha".
  4. Para um Corte Mais Baixo - Adicione no máximo 2 espaçadores (P3).
  5. Para um Corte Mais Alto - retire espaçadores (P3).
  6. Volte a instalar a lâmina como descrito em "Instalação da Lâmina e da Ventoinha".

## Como Retirar e Montar a Lâmina e a Ventoinha

Movimente sempre a lâmina com cuidado - as arestas afiadas podem causar ferimentos. USE LUVAS. O cabo da vela de ignição pode estar quente - manusear com cuidado.

### Como Retirar a Lâmina e a Ventoinha

- Substitua a lâmina de metal após 50 horas de uso ou 2 anos, consoante o que ocorrer primeiro - independentemente do seu estado.
  - Se a lâmina estiver rachada ou danificada substitua-a por uma nova.
1. Certifique-se que o Controlo de Presença do Operador está solto, quando o motor parar e a lâmina parar de rodar - desligue o cabo da vela de ignição.
  2. Feche completamente a torneira de combustível (K).
  3. Deite a máquina de cortar relva de lado com o filtro de ar voltado para cima (ver a figura acima).
  4. Para retirar o parafuso da lâmina (P1), segure a ventoinha (P4) com firmeza e com a chave de fendas fornecida afrouxe o parafuso da lâmina rodando-a para a esquerda.
  5. Retire o parafuso da lâmina (P1), lâmina (P2), espaçadores (P3) e a ventoinha (P4).
  6. Inspeccione para verificar a existência de danos e limpe como achar necessário.



### Como Montar a Lâmina e a Ventoinha

- Antes de usar inspeccione sempre visualmente para verificar se as lâminas não estão desgastadas ou danificadas.
  - Nunca use mais que 2 espaçadores de altura de corte.
  - Os espaçadores só podem ser montados entre a lâmina e a ventoinha e nunca entre a lâmina e o parafuso.
1. Certifique-se que a ventoinha está colocada correctamente.
  2. Coloque os espaçadores (P3) sobre a ventoinha

- certificando-se que as cavilhas (P5) estão posicionadas nos orifícios (P6).
3. Coloque a lâmina (P2) sobre os espaçadores (P3) certificando-se que as cavilhas (P7) estão posicionadas nos orifícios (P8) sobre a lâmina e certificando-se que a lâmina está posicionada como ilustrado na Figura P.
4. Coloque o parafuso da lâmina (P1) através do orifício central (P9) da lâmina.
5. Aperte para a direita com a mão.
6. Segure firmemente a ventoinha e aperte o parafuso da lâmina com a chave de fendas fornecida.

## Vela de Ignição

Uma vela de ignição suja com óleo ou com partículas de carvão dificulta o arranque e reduz o rendimento do motor. Períodicamente retire a vela de ignição e limpe e ajuste sempre que necessário.

Ajuste da folga: 0,028 a 0,031".  
Não retire a vela de ignição com o motor quente. Não limpe a vela de ignição por decapagem com areia.

## Limpeza do Filtro de Ar

- Q1 – Conduta de Ar
- Q2 – Carcaça do Filtro de Ar
- Q3 – Filtro
- Q4 – Linguetas de Engate
- Q5 – Tampa do Filtro de Ar

Nunca deixe o motor a funcionar sem o filtro ou com um filtro sujo. Isto reduz muito o rendimento do motor, danificando-o.

A sua máquina de cortar relva está equipada com um filtro de ar, cuja manutenção se faz do seguinte modo:

- Verifique o filtro antes de cada utilização.
- Limpe de 25 em 25 horas ou com mais frequência se utilizado em áreas poeirentas.
- Substitua o filtro ao fim de 200 horas.

1. Prima as linguetas de engate situadas na parte superior da tampa do filtro de ar e retire a tampa.
2. Verifique que o filtro está limpo e em boas condições.

Se o filtro estiver sujo:

- Bata ligeiramente com o filtro de ar várias vezes sobre uma superfície dura para remover a sujidade, ou passe ar comprimido através do filtro pela sua face limpa voltada para o motor. Nunca tente retirar a sujidade com uma escova. Isto irá entranhar a sujidade nas fibras.
3. Limpe a sujidade da carcaça e da tampa do filtro de ar com um pano húmido. Tenha cuidado para evitar que a sujidade entre na conduta de ar que leva ao carburador.
  4. Substitua o filtro e a tampa do filtro de ar.

## Cuidados a ter Com a sua Máquina de Cortar Relva

Se não pretender utilizar a máquina de cortar a relva durante um longo período de tempo, é aconselhável seguir estas instruções depois de utilizá-la:

1. Pare o motor.
2. Feche completamente a torneira de combustível (K).
3. Volte a pôr o motor a funcionar
4. À medida que o combustível se for gastando, o motor começa a parar; incline ligeiramente a máquina de cortar relva.
5. Uma vez o motor parado, solte o Comando de Presença do Operador.
6. Desligue o fio da vela.
7. Retire todo o combustível do depósito.

### Limpeza

#### • USE LUVAS

- Conserve a sua máquina de cortar relva limpa - os restos de erva deixados em qualquer uma das admissões de ar, em volta do motor ou debaixo do deck podem constituir perigo de incêndio potencial.
- Não limpe com produtos químicos, incluindo gasolina ou solventes - alguns podem destruir peças de plástico essenciais.

1. Retire a erva debaixo do deck com uma peça de madeira ou semelhante.
2. Usando uma escova macia - retire os restos de erva que se possam encontrar em volta do motor e de todas as admissões de ar.
3. Retire a ventoinha. Consulte "Como Retirar e Montar a Lâmina e a Ventoinha" e limpe com uma escova macia.
4. Limpe a superfície da sua máquina de cortar relva com um pano seco.

### Transporte da Máquina de Cortar Relva

- Rode a torneira de combustível para a posição fechada e transporte o motor na posição horizontal.
- Nunca transporte a máquina de cortar relva quando está em funcionamento.

Armazenagem da Máquina de Cortar Relva  
Rode a torneira de combustível para a posição fechada e guarde a máquina num lugar seguro, seco, fresco e à prova de humidade, com o motor na posição horizontal.

Faça a manutenção da sua máquina de cortar relva após o último corte do ano como se segue:

1. Pare o motor.
2. Feche completamente a torneira de combustível (K).
3. Volte a pôr o motor a funcionar
4. À medida que o combustível se for gastando, o motor começa a parar; incline ligeiramente a máquina de cortar relva.
5. Uma vez o motor parado, solte o Comando de Presença do Operador.
6. Desligue o fio da vela.
7. Retire todo o combustível do depósito.
8. Retire o cabo da vela de ignição e a vela de ignição. Deite uma colher de chá (5ml) de óleo no orifício da vela. Puxe a pega de arranque 2 ou 3 vezes. Isto distribui o óleo sobre as superfícies interiores do motor. Se precisar de uma vela nova contacte o seu Centro de Assistência/Concessionário local aprovado. Não torne a ligar o cabo da vela de ignição.
9. Limpe o filtro de ar. Consulte "Como Limpar o Filtro de Ar".
10. Substitua a lâmina se estiver rachada, danificada ou empenada. Se necessário substitua o parafuso da lâmina. Para mais informações queira ler "Como Retirar e Montar a Lâmina e a Ventoinha".
11. Use só peças e acessórios genuínos Flymo especificados para este produto.
12. Limpe a máquina de cortar relva muito bem. Consulte "Limpeza".
13. O seu Centro de Assistência/Concessionário local aprovado fará toda a manutenção ou reparações necessárias.
14. Armazene a sua máquina de cortar relva num local fresco, seco, sem humidade e seguro.

## Conselhos para Identificação de Avarias

### O Motor Não Arranca

1. Certifique-se que o Comando de Presença do Operador está bem preso à pega superior.
2. Verifique que há combustível suficiente no depósito de combustível e que a torneira de combustível está aberta.
3. Verifique que a alavanca de controlo do estrangulador está na posição correcta: - Posição "Funcionamento" (N) – para um motor quente, posição "Estrangulador" (L) – para um motor frio.
4. O motor pode ter afogado. Retire e seque a vela de ignição.
5. A mistura do combustível pode estar incorrecta ou envelhecida - se for o caso substitua-a.
6. Verifique se o parafuso da lâmina está apertada. O parafuso da lamina desapertado pode tornar o arranque difícil.
7. **Se mesmo assim o motor não arranca - desligue o fio da vela de ignição e consulte o seu Centro/Concessionário de assistência autorizado.**

### Fraca Flutuação Ou Pouca Potencia

1. Desligue o fio da vela de ignição.
2. Limpe a parte inferior do capot o filtro do ar, a ventoinha, a volta do motor e as entradas do ar.
3. Verifique que a alavanca de controlo do estrangulador está na posição "Funcionamento" (N).
4. A mistura do combustível pode estar incorrecta ou envelhecida se for o caso substitua-a.
5. **Se persistir a fraca flutuação e a falta de potência-desligue o fio da vela de ignição e contacte o seu Concessionário autorizado.**

### Excessiva Vibração

1. Desligue o fio da vela de ignição.
2. Verifique se a lâmina está correctamente montada. **Veja Remoção e montagem da lâmina e ventoinha.**
3. Se a lâmina estiver danificada ou gasta, substitua-a.
4. **Se a vibração persistir - não utilize - desligue o fio da vela de ignição e contacte o seu Concessionário/Distribuidor autorizado .**

## Peças de substituição

### Lâmina

Referência: 5119004-00

## Garantia & Condições de Garantia

No caso de verificar que uma peça está defeituosa por defeito de fabrico durante o período de garantia, a Husqvarna UK Ltd. efectuará a sua reparação ou substituição através dos seus Representantes de Assistência Técnica Autorizados, sem quaisquer encargos para o cliente, desde que:-

- a) O Centro de Serviços Autorizado seja informado directamente.
- b) Seja apresentada prova de compra.
- c) A avaria não seja devido a uso impróprio, negligência ou tentativa de reparação pelo utente.
- d) A avaria não tenha ocorrido durante a utilização normal.
- e) A máquina não tenha sido reparada, desmontada ou forçada por uma pessoa não autorizada pela Husqvarna UK Ltd..
- f) A máquina não tenha sido alugada.
- g) A máquina pertença à pessoa que a comprou.
- h) A máquina não tenha sido usada para comércio.

\* Esta garantia é adicional e não diminui os direitos estatutários do cliente.

As seguintes avarias não estão cobertas e portanto é importante ler as instruções do Manual do Operador e compreender como usar e manter a sua máquina:

### Avarias que a garantia não cobre

- \* Avarias resultantes da não comunicação de uma avaria prévia.
- \* Avarias resultantes de um embate brusco.
- \* Falhas resultantes de utilização do produto sem ser em conformidade com as instruções e recomendações do manual do operador.
- \* Máquinas para alugar não estão cobertas por esta garantia.
- \* Os itens listados a seguir são considerados peças sujeitas a desgaste e a sua vida útil depende de manutenção periódica. Portanto, a sua reivindicação ao abrigo da garantia não é válida: lâminas.
- \* **Cuidado!**  
A Husqvarna UK Ltd. não toma responsabilidade nem por avarias causadas totalmente ou em parte, directa ou indirectamente pela reparação ou substituição de peças ou peças adicionais que não são manufacturadas ou aprovadas pela Husqvarna UK Ltd., nem quando a máquina foi modificada.

## Informação Ambiental

Os produtos Husqvarna UK Ltd. são fabricados ao abrigo de um Sistema de Gestão Ambiental (ISO 14001) usando, sempre que possível, componentes fabricados da maneira mais responsável para com o ambiente, de acordo com os procedimentos da empresa, e com o potencial de reciclagem no fim da vida útil dos mesmos.

- A embalagem é reciclável e os componentes plásticos foram identificados com uma etiqueta (sempre que possível) para facilitar a reciclagem por categorias.
- Ao eliminar o produto no fim da sua vida útil é necessário estar alerta para as questões ambientais.
- Se necessário, contacte as autoridades locais para obter informações relativas à eliminação.

### ELIMINAÇÃO DE COMBUSTÍVEIS E ÓLEOS LUBRIFICANTES

- Use vestuário de protecção ao manusear os combustíveis e lubrificantes.
- Evite o contacto com a pele.
- Retire a gasolina e o óleo de motor antes de transportar o produto.
- Contacte as autoridades locais para obter informações sobre a estação de reciclagem/eliminação mais próxima.



**NÃO** descartar e/ou óleos usados juntamente com o lixo doméstico.



Os combustíveis e/ou os óleos usados são perigosos, mas podem ser reciclados e devem ser eliminados em instalações autorizadas.



**NÃO** despejar combustíveis e/ou óleos usados em cursos de água.



**NÃO** incinerar

# EC DECLARAÇÃO DE CONFORMIDADE

Husqvarna AB, 561 82, Huskvarna, Sweden

Declaramos sob a nossa exclusiva responsabilidade que o(s) equipamento(s);

Categoria.....**Gasolina Cortador de relvado**

Tipo.....**GX560**

Identificação da série.....**Consulte a Etiqueta de Especificações do**

Ano de fabrico.....**Consulte a Etiqueta de Especificações do**

Está(ão) em conformidade com os requisitos e disposições essenciais das seguintes Directivas da CE: **98/37/EC (até 28.12.09), 2006/42/EC (de 29.12.09), 2004/108/EC, 2000/14/EC** baseado nas seguintes normas harmonizadas das EU aplicadas:

**EN 836, EN55012**

O nível de pressão sonora máxima ponderada  $L_{pA}$  na posição do operador, registada numa amostra do(s) equipamento(s) supracitado(s) corresponde ao nível indicado na tabela.

O valor máximo ponderado de vibração mão / braço avaliado em conformidade com a EN ISO 20643 numa amostra do(s) equipamento(s) supracitado(s) corresponde ao valor  $a_h$  indicado na tabela.

2000/14/EC: Os valores do nível sonoro ponderado  $L_{WA}$  e da potência sonora garantida  $L_{WA}$  estão em conformidade com os valores indicados nas tabelas.

Procedimento de avaliação da conformidade.....Annex VI

Organismo Notificado..... Intertek, Cleeve Road  
Leatherhead, Surrey  
KT22 7SB, England

Newton Aycliffe 13/5/2011

M.Bowden

Director de Investigação e Desenvolvimento

Global - Ferramentas de empurrar

Responsável pela documentação técnica



<b>Tipo</b>	<b>GX560</b>
Largura de Corte (cm)	50.5
Velocidade de Rotação do Dispositivo de Corte (rpm)	3100
Potência Nominal (kW)	3.0
Potência Sonora medida $L_{WA}$ (dB(A))	96
Potência sonora garantida $L_{WA}$ (dB(A))	98
<b>Nível</b> $L_{pA}$ (dB(A))	86.8
Irregularidade $K_{WA}$ (dB(A))	2.5
<b>Valor</b> $a_h$ (m/s <sup>2</sup> )	3.3
Incerteza $K_{ah}$ (m/s <sup>2</sup> )	1.5
Peso (Kg)	16/16.5

A potência nominal do(s) motor(es) indicada é a potência útil média (à rpm especificada) de um motor de produção típico para o modelo do motor, medido de acordo com a norma SAE J1349 / ISO 1585. Os motores de produção em massa podem ter valores diferentes. A potência real do motor instalado no equipamento final dependerá da rotação de funcionamento, condições ambientais e outras variáveis

## PRECAUZIONI PER LA SICUREZZA



Se non viene usato in modo corretto, questo tosaerba può essere pericoloso! Questo tosaerba può causare lesioni gravi all'operatore e alle persone presenti; per questo motivo è importante rispettare gli avvisi di pericolo e le istruzioni di sicurezza per garantire che venga usato con un certo grado di sicurezza ed efficacia. Ricade sull'operatore la responsabilità di osservare gli avvisi di pericolo e le istruzioni di sicurezza contenute in questo manuale e applicate sul tosaerba.

### Spiegazione dei simboli affissi sul prodotto



Avvertenze



Leggere attentamente le istruzioni per l'utilizzatore e controllare di aver capito a fondo il funzionamento di tutti i comandi.



Non sollevare mai il tosaerba dal terreno. Se il tosaerba viene inclinato o sollevato, è possibile essere colpiti da pietre



Tenersi lontani da terzi. Non tosare l'erba se vi sono persone e in modo particolare bambini o animali, nella zona da tosare



Fare attenzione a non tagliarsi dita o mani. Non avvicinare mani o piedi ad una lama rotante.



Scollegare la candela prima di eseguire operazioni di manutenzione, pulizia, regolazione o quando si deve lasciare il tosaerba incustodito anche per un attimo.



La lama continua a ruotare anche dopo aver spento la macchina. Prima di toccarli, attendere sino a che tutti i componenti si siano arrestati completamente.

### In generale

1. Non lasciare che bambini o persone che non conoscono queste istruzioni usino il tosaerba. La legislazione vigente potrebbe limitare l'età dell'operatore.
2. Interrompere l'utilizzo della macchina quando persone, soprattutto bambini, o animali si trovano nelle vicinanze.
3. Usare il tosaerba solo nel modo e per gli utilizzi descritti in questo manuale.
4. Non azionare mai il tosaerba quando si è stanchi, ammalati o sotto l'influsso di alcol, droghe o medicine.
5. L'operatore o l'utilizzatore sono responsabili degli incidenti o dei rischi causati ad altre persone o ai loro beni.

### Impiego sicuro del carburante

#### AVVISO - La benzina è altamente infiammabile

- Indossare indumenti protettivi quando si maneggiano combustibili e lubrificanti.
- Evitare il contatto con la pelle.
- Eliminare la benzina e l'olio motore prima di trasportare il prodotto.
- Conservare la benzina in un luogo fresco e in una tanica idonea. Le comuni taniche in plastica non sono adatte.
- Rifornire solo all'esterno e non fumare durante il rifornimento.
- Aggiungere benzina **PRIMA** di avviare il motore. Non togliere mai il tappo del serbatoio né aggiungere benzina quando il motore è acceso o caldo.
- Se la benzina viene versata, non tentare di avviare il motore ma allontanare invece il tosaerba dalla zona del rifornimento ed evitare di creare scintille fino a quando i vapori di benzina non si sono dissipati.
- Rimontare saldamente i tappi dei serbatoi e delle taniche di benzina.
- Prima dell'avviamento, allontanare il tosaerba dalla zona di rifornimento.
- Il carburante va conservato in luogo fresco lontano da fiamme scoperte.

### Preparazione

1. Durante l'impiego del tosaerba indossare sempre scarpe pesanti e calzoni lunghi. Non utilizzare l'apparecchio con i piedi scalzi o i sandali aperti.
2. Si raccomanda l'uso di protettori auricolari.
3. Accertarsi che sul tappeto erboso non vi siano rametti, sassi, ossa, fili di ferro o detriti che potrebbero essere lanciati dalla lama.
4. Prima di usare la macchina e dopo qualsiasi impatto, controllare se vi sono segni di usura o di danni e riparare come richiesto.
5. Sostituire sia le lame usurate o danneggiate sia la rispettiva bulloneria per mantenere bilanciato il tosaerba.
6. Far sostituire i silenziatori difettosi.

### Impiego

1. Non azionare il tosaerba in spazi limitati dove i gas di scarico (monossido di carbonio) possono concentrarsi.
2. Usare il tosaerba solo di giorno o con una buona illuminazione notturna.
3. Se possibile, evitare di usare il tosaerba quando l'erba è bagnata.
4. Prestare attenzione sull'erba bagnata, dato che è facile scivolare.
5. Sui pendii, prestare un'attenzione ancora maggiore e indossare calzature che non scivolino.
6. Sui pendii, tosare l'erba orizzontalmente e mai avanti e indietro lungo il pendio.
7. Prestare la massima attenzione quando si cambia direzione sui pendii.
8. La tosatura dell'erba lungo argini e pendii può essere pericolosa. Non tosare l'erba lungo **argini** o pendii **rigidi**.
9. Non camminare all'indietro durante la tosatura dell'erba dato che è facile inciampare. Camminare, non correre.
10. Non tagliare mai l'erba tirando il tosaerba verso se stessi.
11. Spegnerne il motore prima di spingere il tosaerba su superfici non erbose e quando lo si trasporta avanti e indietro dalla zona da tosare.
12. Non azionare mai il tosaerba con protezioni danneggiate o mancanti.
13. Non accelerare il motore e non modificare le tarature del regolatore. Una velocità eccessiva è pericolosa e accorcia la vita utile del tosaerba.
14. Prima dell'avviamento, disinnestare tutte le frizioni delle lame e di comando.
15. Tenere sempre mani e piedi lontani dai dispositivi di taglio, specialmente durante l'accensione del motore.
16. Non inclinare il prodotto quando il motore è in funzione, eccetto all'avviamento ed all'arresto. In tal caso, non inclinare più di quanto sia assolutamente necessario e sollevare solamente la parte distante dall'operatore.
17. Non sollevare né trasportare un tosaerba con il motore acceso.
18. Il filo della candela potrebbe essere caldo - maneggiarlo con attenzione.
19. Non tentare interventi di manutenzione sul tosaerba quando il motore è caldo.
20. Spegnerne il motore e attendere fino a quando la lama si è fermata:
  - prima di lasciare il tosaerba incustodito anche per un attimo.
21. Rilasciare il Comando presenza operatore per spegnere il motore, attendere fino a quando la lama si è fermata, scollegare il cavo della candela e attendere fino a quando il motore si è raffreddato:
  - prima del rifornimento;
  - prima di eliminare un intasamento;
  - prima di controllare, pulire o lavorare sulla macchina;
  - se si colpisce un oggetto. Non usare il tosaerba fino a quando non avete la certezza che il suo impiego è

## PRECAUZIONI PER LA SICUREZZA

- completamente sicuro;
- se il tosaerba comincia a vibrare in modo insolito. In questi casi controllarlo immediatamente. Delle vibrazioni eccessive possono causare lesioni.

### Manutenzione e rimessaggio

1. Attenzione: non toccare la/e lama/e in movimento
2. Mantenere sempre dadi, bulloni e viti ben saldi per avere la certezza che il tosaerba sia sempre in ottime condizioni di lavoro.
3. Per motivi di sicurezza, sostituire le parti usurate o danneggiate.
4. Usare solo la lama di ricambio con il rispettivo bullone, distanziale e girante di tipo specifico per questo prodotto.

5. Non tenere mai un tosaerba con il serbatoio pieno di benzina all'interno di un edificio dove vi sia la possibilità che i fumi possano raggiungere fiamme vive o scintille.
6. Lasciare raffreddare il motore prima di metterlo in un vano chiuso.
7. Per ridurre il pericolo di incendio, mantenere il motore, la marmitta, il vano portabatterie e la zona in cui si conserva il carburante, privi di erba, foglie o grasso in eccesso.
8. Se il serbatoio del carburante deve essere scaricato, farlo all'aperto.
9. Conservare in un luogo fresco e asciutto e fuori dalla portata dei bambini. Non conservare all'esterno.

## Assemblaggio (senza ruote)

### Montaggio del manico inferiore sul rasaerba

1. Inserire fino a metà il gancio (A2) fissato all'impugnatura inferiore (A1) attraverso la scanalatura centrale della guida (A3) nella direzione indicata dalla freccia (A4).
2. Mantenendo il gancio (A2) nella scanalatura centrale della guida (A3), girare l'impugnatura inferiore (A1) in senso orario di 90° per posizionare entrambe le linguette dell'impugnatura inferiore tra le staffe del coprimotore (A5).
3. Inserire le spine (B1) e fissarle con le apposite mollette (B2).

### Montaggio dell'impugnatura superiore all'impugnatura inferiore

**PRIMA** di montare l'impugnatura superiore all'impugnatura inferiore, stabilizzare l'impugnatura inferiore sollevando il gancio (C1) alla posizione 'riposo' (C2).

1. Accertarsi che la leva di comando dello starter si trovi sul lato sinistro quando viene vista dal retro.
2. Allineare il manico inferiore a quello superiore (D). Posizionare i bulloni (D1), le rondelle (D2) e fissarle con i pomelli dei manici (D3).
3. Montare i cavi sull'impugnatura con le fascette fornite, controllando che i cavi non siano impigliati tra l'impugnatura superiore e quella inferiore.

## Assemblaggio (con ruote)

1. Montare il manubrio inferiore (E1) sulla scocca con la rispettiva spina (E2) come illustrato in Fig. E.
2. Attaccare le ruote (F1) sul telaio (F2) con i rispettivi fermi di ritenuta (F3) come illustrato in Fig. F.
3. Montare il telaio delle ruote (G1) sulla scocca usando il bullone (G2), la rondella piccola (G3), quella grande (G4) e il controdado (G5) del manubrio inferiore come illustrato in Fig. G.

4. Sistemare i tubi telescopici inferiori (H1) all'interno di quelli telescopici superiori (H2) e fissarli con la spina (H3) e il fermo di ritenuta (E4) come illustrato in Fig. H.

Montare l'impugnatura superiore su quella inferiore seguendo le suddette istruzioni qui sopra al paragrafo "Assemblaggio (senza ruote)".

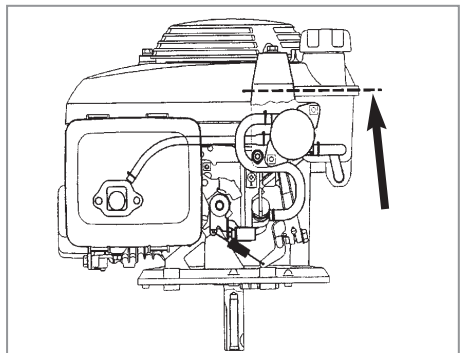
## Posizione dell'impugnatura

La posizione dell'impugnatura può essere regolata mediante il complessivo guida e gancio.  
Per regolare la posizione dell'impugnatura:

1. Sollevare il gancio (C1) (C2) - Posizione 'Riposo' (C3) - Posizione 'Rasatura'.

## Carburante

**Usare della normale benzina senza piombo per autoveicoli, pulita e acquistata di recente**  
Non rifornire il serbatoio del carburante in ambienti chiusi, quando il motore è caldo, mentre si fuma o vicino a una fiamma viva. Pulire a fondo la zona attorno al tappo del serbatoio del carburante prima del rifornimento per impedire l'ingresso di impurità nell'impianto di alimentazione. Il carburante deve essere conservato in un locale fresco lontano da fiamme vive. Non rifornire il serbatoio quando il motore è acceso. Rifornire il serbatoio usando un imbuto dotato di filtro sottile. Non rifornire mai completamente il serbatoio del carburante, riempirlo solo fino alla base del bocchettone di rifornimento. Quando si rifornisce il serbatoio da vuoto, o se il motore ha precedentemente funzionato a secco, aggiungere una quantità minima di 400 cc (fino al livello della riga indicata nello schema) per garantire il corretto adescamento della pompa di alimentazione necessario all'avviamento del motore. Il carburatore è prearato. Non è di solito richiesta nessuna regolazione.



## Olio

Usare olio detergente per veicoli a 4 tempi. Per impiego generico si raccomanda l'olio SAE 10W-30.

Rifornire di olio come indicato nel Manuale del proprietario del motore fornito con questo prodotto.

## Avvio e arresto

### Avviamento del rasaerba

1. Portare l'impugnatura alla posizione Parcheggio (C2).
2. Collegare il cavo della candela di accensione. (J)
3. Aprire il rubinetto del carburante (K).
4. Spostare la leva di comando dello starter sulla posizione "Starter" (L) per l'avviamento a freddo e su "Marcia" (N) per l'avviamento a caldo.
5. Tirare e tenere bene la leva di avviamento/arresto contro il manico superiore.
6. Appoggiare fermamente il piede destro sulla scocca e afferrare la parte superiore dell'impugnatura inferiore con la mano sinistra. Inclinare il tosaerba verso di sé (H). In questo modo il tosaerba si trova in una posizione sicura durante l'accensione e si evita anche di lasciare un brutto taglio circolare nel tappeto erboso.
7. Tirare delicatamente l'impugnatura di avviamento fino a quando non si avverte una resistenza, poi riportarla lentamente alla posizione originale.

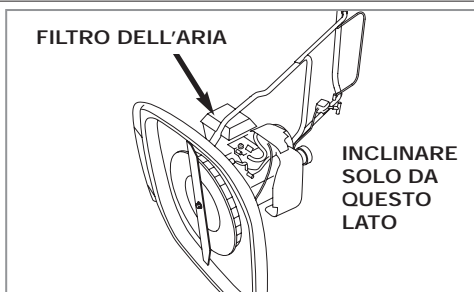
8. Tirare l'impugnatura di avviamento verso di sé con decisione.
9. Lasciare raggiungere al motore il regime massimo, poi abbassare lentamente il rasaerba fino a toccare il terreno.
10. Quando il motore si è riscaldato, verificare che la leva di comando si trovi nella posizione 'normale'. (N)

### Arresto del tosaerba

- Una volta spento il tosaerba, la lama continua a girare e può provocare infortuni.
1. Lasciare andare la leva di avviamento/arresto.
  2. Mentre il motore si spegne, inclinare leggermente il tosaerba onde evitare un taglio a cerchio sul prato.
  3. Quando il motore è fermo, abbassare il rasaerba fino a toccare il terreno.
  4. Portare l'impugnatura nella posizione di Parcheggio (C2).
  5. Chiudere il rubinetto del carburante (K).

## IMPORTANTE

Prima di eseguire qualsiasi manutenzione sul sottoscocca del tosaerba, chiudere il rubinetto del carburante, lasciare che il motore giri fino a spegnersi, scollegare il cavo della candela e **INCLINARE IL TOSAERBA DI LATO CON IL FILTRO DELL'ARIA VERSO L'ALTO.**



## Taglio

- Prima di utilizzare il rasaerba, verificare sempre che la lama e i bulloni non siano consumati o danneggiati.
1. Mettere il manico nella posizione di taglio (C3).
  2. Tagliare il prato due volte alla settimana durante la stagione di crescita. Evitare di tagliare l'erba oltre un terzo della sua lunghezza ad ogni taglio.
- Tenere lontani dalla lama le mani e i piedi, poiché una lama che ruota non è visibile.
  - Non utilizzare il rasaerba su argini e ripidi pendii onde evitare gravi infortuni.
  - Sui pendii, tenere sempre i piedi sul terreno in piano con il tosaerba sotto di voi e la candela in alto per evitare che l'olio lubrificante scorra nel cilindro.
  - Non usare questo tosaerba su pendii bagnati o con un'inclinazione superiore ai 45° dal piano orizzontale.
  - Non spingere mai il tosaerba in salita lungo un pendio.

## Regolazione dell'altezza di taglio

- Non utilizzare mai più di 2 distanziali per la regolazione dell'altezza di taglio.
  - I distanziali vanno solo montati tra la lama e la ventola e mai tra la lama e il bullone. (P)
1. Verificare che la leva di avviamento sia stata lasciata andare quando il motore del rasaerba si è arrestato - Scollegare il cavo della candela di accensione.
  2. Chiudere il rubinetto del carburante (K). Poggiare il rasaerba su un fianco.
  3. Svitare il bullone della lama (P1) ed estrarre la lama (P2) come descritto al paragrafo "Smontaggio di lama e ventilatore".
  4. Per realizzare un taglio più corto, mettere i distanziali (P3). Usarne al massimo 2.
  5. Per realizzare un taglio più lungo, togliere i distanziali (P3).
  6. Rimontare la lama come descritto al paragrafo "Rimontaggio di lama e ventilatore".

## Rimozione e montaggio della lama e della ventola

Maneggiare la lama sempre con cura - i bordi affilati possono provocare infortuni. **INDOSSARE GUANTI.** Il cavo della candela di accensione potrebbe essere caldo - maneggiare con cura. Rimozione della lama e della ventola

- Sostituire la lama di metallo dopo 50 ore d'impiego o 2 anni, a seconda di quale evento si verifichi per primo, a prescindere dalla condizione.
  - Qualora la lama risulti rotta o danneggiata, sostituirla con una nuova.
1. Verificare di aver lasciato andare la leva di avviamento. Quando il motore si è arrestato e la lama ha terminato di ruotare, scollegare il cavo della candela di accensione.
  2. Chiudere completamente il rubinetto del carburante (K).
  3. Ribaltare il tosaerba di lato con il filtro dell'aria in su (vedi figura qui sopra).
  4. Per rimuovere il bullone della lama (P1), afferrare bene la ventola (P4) ed allentare il bullone della lama girando l'apposita chiave in senso antiorario.
  5. Togliere il bullone della lama (P1), la lama (P2), i distanziali (P3) e la ventola (P4).
  6. Verificarne l'integrità e pulire se necessario.

## Montaggio della lama e della ventola

- Prima di utilizzare il rasaerba, verificare sempre che la lama e i bulloni non siano consumati o danneggiati.
  - Non usare mai più di 2 distanziali per la regolazione dell'altezza di taglio.
  - I distanziali vanno solo montati tra la lama e la ventola e mai tra la lama e il bullone.
1. Verificare che la ventola sia nella posizione corretta.
  2. Posizionare i distanziali (P3) sulla ventola controllando che le spine (P5) siano ben inserite nei fori (P6).

3. Sistemare la lama (P2) sui distanziali (P3) verificando che le spine (P7) siano ben inserite nei fori (P8) sulla lama e che la lama sia ben in posizione come mostrato alla Figura P.
4. Inserire il bullone della lama (P1) attraverso il foro centrale (P9) della lama.
5. Avvitare bene a mano in senso orario.
6. Tenere saldamente la ventola e serrare il bullone della lama con l'apposita chiave fornita.

## Candela

Una candela unta o con depositi di carbone rende difficoltoso l'avviamento e diminuisce l'efficienza del motore. Togliere periodicamente la candela e pulirla e regolarla come richiesto.

Registrazione gioco 0,028 – 0,031".  
Non togliere la candela quando il motore è caldo. Non smerigliare la candela per pulirla.

## Pulizia del filtro dell'aria

Q1 – Condotta aria, Q2 – Corpo filtro aria, Q3 - Filtro Q4 – Linguette di chiusura, Q5 – Coperchio filtro aria  
Non far mai funzionare il motore senza filtro o con un filtro sporco. Facendolo si riduce notevolmente l'efficacia del motore che potrebbe anche subire danni.

Il vostro tosaerba è dotato di filtro dell'aria la cui manutenzione deve essere eseguita come descritto di seguito:

- Controllare il filtro prima di ciascun impiego.
  - Pulirlo ogni 25 ore o più frequentemente se viene usato in zone polverose.
  - Sostituire il filtro ogni 200 ore.
1. Premere le linguette di chiusura sulla parte superiore del coperchio del filtro dell'aria e togliere il coperchio.

2. Controllare che il filtro sia pulito e in buono stato.

Se il filtro è sporco:

- Colpire varie volte il filtro su una superficie rigida per eliminare le impurità oppure soffiare aria compressa nel filtro dell'aria dal lato pulito che è quello verso il motore. Non cercare mai di eliminare le impurità con una spazzola. La spazzolatura fa penetrare le impurità nelle fibre.
3. Eliminare la sporcizia dal corpo e dal coperchio del filtro dell'aria usando uno straccio umido. Prestare attenzione ad evitare l'ingresso di impurità nel condotto dell'aria che si collega al carburatore.
  4. Sostituire il filtro e il coperchio del filtro dell'aria.

## Cura del rasaerba

Se non si intende utilizzare il rasaerba per lunghi periodi di tempo, è buona norma osservare le seguenti istruzioni:

1. Arrestare il motore.
2. Chiudere completamente il rubinetto del carburante (K)
3. Riavviare il motore.
4. Quando il carburante si esaurisce, il motore comincia a spegnersi; a questo punto inclinare leggermente il tosaerba.
5. Quando il motore è fermo, lasciare andare la leva di avviamento/arresto
6. Scollegare il cavo della candela di accensione
7. Remove all fuel from the fuel tank.
5. Quando il motore è fermo, lasciare andare la leva di avviamento/arresto.
6. Scollegare il cavo della candela di accensione.
7. Togliere la benzina dal serbatoio.

### Pulizia

- **INDOSSARE GUANTI**
  - **Mantenere il rasaerba sempre pulito** - i rimasugli di erba accumulatisi nelle prese d'aria, intorno al motore o sotto il telaio possono provocare incendi.
  - **Non pulire con sostanze chimiche, fra cui benzina o solventi.** Alcune di tali sostanze potrebbero distruggere importanti parti in plastica.
1. Togliere l'erba da sotto il telaio con un pezzo di legno o oggetto simile.
  2. Utilizzando un pennello morbido, togliere i rimasugli di erba accumulatisi intorno al motore e alle prese d'aria.
  3. Togliere la ventola, vedere la sezione 'Rimozione e montaggio della lama e della ventola', e pulire con un pennello morbido.
  4. Pulire la superficie del rasaerba con un panno asciutto.

### Trasporto del tosaerba

- Chiudere il rubinetto del carburante e trasportare il tosaerba con il motore in posizione orizzontale.
- Non trasportare mai il tosaerba quando è acceso.

### Rimessaggio del rasaerba

Chiudere il rubinetto del carburante e conservare il tosaerba in un luogo fresco, asciutto, privo di umidità e sicuro con il motore in posizione orizzontale.  
Per garantire il taglio senza problemi la stagione successiva, provvedere alla manutenzione del rasaerba dopo l'ultimo taglio dell'anno osservando le seguenti istruzioni:

1. Arrestare il motore.
2. Chiudere completamente il rubinetto del carburante. (K)
3. Riavviare il motore.
4. Quando il carburante si esaurisce, il motore comincia a spegnersi; a questo punto inclinare leggermente il tosaerba.
5. Quando il motore è fermo, lasciare andare la leva di avviamento/arresto.
6. **Scollegare il cavo della candela di accensione.**
7. Togliere la benzina dal serbatoio.
8. Togliere il cavo della candela di accensione e la candela. Versare un cucchiaino d'olio (5 ml) attraverso il foro della candela di accensione. Tirare il manico di avviamento due o tre volte per distribuire uniformemente l'olio sulle superfici interne del motore. Ispezionare, pulire e rimettere in posizione la candela di accensione. Qualora sia necessario sostituirla, rivolgersi al più vicino rivenditore o centro di assistenza autorizzati. Non ricollegare il cavo della candela di accensione.
9. Pulire il filtro dell'aria. Vedere la sezione 'Pulizia del filtro dell'aria'.
10. Sostituire la lama qualora risulti rotta, danneggiata o incurvata. Sostituire eventualmente il bullone della lama. Per ulteriori informazioni, vedere 'Rimozione e montaggio della lama e della ventola'.
11. Utilizzare esclusivamente i ricambi e gli accessori originali Flymo specifici per questo prodotto.
12. Pulire a fondo il rasaerba. Vedere la sezione 'Pulizia'.
13. Per gli interventi di manutenzione o riparazione, rivolgersi al più vicino rivenditore o centro di assistenza autorizzati.
14. Mettere il rasaerba in un luogo fresco, asciutto, privo di umidità e sicuro.

## Suggerimenti per la ricerca di guasti

### Mancato avviamento del motore

1. Controllare che la leva di avviamento sia ben premuta contro il manico superiore.
2. Controllare che vi sia sufficiente carburante nel serbatoio e che il rubinetto del carburante sia aperto
3. Controllare che la leva di comando dello starter si trovi nella posizione corretta :- posizione "Marcia" (N) – per un motore caldo, Posizione "Starter" (L) – per un motore freddo.
4. Può darsi che il motore si sia ingolfato. Togliere ed asciugare la candela di accensione.
5. Verificare che la miscela non sia errata o vecchia ed eventualmente sostituirla.
6. Verificare che il bullone della lama sia debitamente serrato. La presenza di un bullone lento può provocare problemi di avviamento.
7. **Qualora il motore non si avvii ancora, scollegare il cavo della candela di accensione e rivolgersi al più vicino rivenditore o centro di assistenza.**

### Flottazione insoddisfacente o mancanza di potenza.

1. Scollegare il cavo della candela di accensione.
2. Pulire il fondo del coperchio, il filtro dell'aria, la ventola e l'area circostante il motore e le prese d'aria.
3. Controllare che la leva di comando dello starter si trovi nella posizione "Marcia" (N)
4. Può darsi che la miscela sia errata o vecchia, nel qual caso, provvedere alla sostituzione.
5. **Qualora la flottazione insoddisfacente o la mancanza di potenza persistano, scollegare il cavo della candela di accensione e rivolgersi al più vicino rivenditore o centro di assistenza.**

### Vibrazione eccessiva

1. Scollegare il cavo della candela di accensione.
2. Verificare che la lama sia montata correttamente. **Vedi la sezione 'Smontaggio della lama e della ventola'.**
3. Sostituire la lama eventualmente danneggiata o consumata.
4. **Qualora la vibrazione persista, non utilizzare il rasaerba, scollegare il cavo della candela di accensione e rivolgersi al più vicino rivenditore o centro di assistenza .**

## Parti di ricambio

### Lama

Codice articolo: 5119004-00

## Garanzia e condizioni di garanzia

Se una qualsiasi parte dovesse guastarsi a causa di una lavorazione scadente nel periodo della garanzia, Husqvarna UK Ltd., tramite i suoi Centri di riparazione autorizzati, effettuerà gratuitamente la riparazione o la sostituzione, sempre che:

- a) Il guasto sia stato notificato direttamente al centro riparazioni autorizzato.
- b) Venga presentata la ricevuta d'acquisto.
- c) Il guasto non sia stato causato da uso improprio, negligenza o regolazioni errate da parte dell'utente.
- d) Il guasto non sia dovuto al normale logoramento per uso.
- e) La macchina non sia stata sottoposta a manutenzione né riparata, smontata o manomessa da persone non autorizzate da Husqvarna UK Ltd..
- f) La macchina non sia stata noleggiata a terzi.
- g) La macchina sia di proprietà dell'acquirente originale.
- h) La macchina non sia stata adibita a uso commerciale.

\* Questa garanzia è supplementare ai diritti legali del cliente e non li limita in alcun modo.

Guasti a causa dei seguenti non sono coperti, pertanto è importante leggere le istruzioni contenute nel Manuale dell'Operatore e comprendere come operare e mantenere la macchina.

### Guasti non coperti dalla garanzia.

- \* Guasti dovuti alla mancata notificazione del guasto originale.
- \* Guasti dovuti ad impatto improvviso.
- \* Guasti a causa di non usare il prodotto secondo le istruzioni e raccomandazioni contenute nel manuale dell'operatore.
- \* Non sono coperte da garanzia le macchine date a noleggio.
- \* Le seguenti voci elencate sono considerate come parti usuranti e la loro durata dipende dalla regolare manutenzione e non sono, normalmente soggette ad un valido reclamo di garanzia: di conseguenza non sono coperte da garanzia lame.
- \* **Attenzione**  
Entro i termini della presente garanzia Husqvarna UK Ltd. non accetta responsabilità alcuna per difetti dovuti nella loro totalità o in parte, direttamente o indirettamente, all'uso di parti di ricambio o parti accessorie non prodotte o autorizzate da Husqvarna UK Ltd. oppure a modifiche apportate in un modo qualsiasi alla macchina.

## Informazioni Di Carattere Ambientale

I prodotti Husqvarna UK Ltd. sono fabbricati in base alle norme ISO 14001 per la gestione e tutela dell'ambiente, utilizzando laddove possibile prodotti non inquinanti, nel pieno rispetto delle procedure e in considerazione della possibilità di riciclaggio del prodotto stesso al termine della vita utile.

- Confezioni riciclabili e componenti in plastica etichettati dove possibile, per permetterne il riciclaggio per categoria.
- Tenere attentamente in considerazione la tutela dell'ambiente, al momento di disperdere il prodotto.
- Rivolgersi all'ente locale preposto per ottenere informazioni utili allo smaltimento/riciclaggio.

### **SMALTIMENTO DI COMBUSTIBILI E DI OLI LUBRIFICANTI**

- Indossare indumenti protettivi quando si maneggiano combustibili e lubrificanti.
- Evitare il contatto con la pelle.
- Versare la benzina e l'olio motore prima di trasportare il prodotto.
- Rivolgersi all'ente locale per informazioni sul più vicino Centro di riciclaggio/Discarica.



**NON disperdere combustibili/oli usati unitamente ai rifiuti domestici**



**I combustibili/oli usati sono nocivi, ma possono essere riciclati e devono essere smaltiti presso i Centri autorizzati.**



**NON disperdere i carburanti/oli usati nell'acqua.**



**NON bruciare**



## EC DICHIARAZIONE DI CONFORMITÀ

Husqvarna AB, 561 82, Huskvarna, Sweden

Dichiariamo sotto la nostra esclusiva responsabilità che il prodotto

Categoria.....**Benzina Tosaerba**

Tipo.....**GX560**

Identificazione serie.....**Vedi Etichetta Dati Prodotto**

Anno di costruzione.....**Vedi Etichetta Dati Prodotto**

è conforme ai requisiti e alle disposizioni essenziali delle seguenti direttive CEE:  
**98/37/EC (fino a 28.12.09), 2006/42/EC (dal 29.12.09), 2004/108/EC, 2000/14/EC**  
in base ai seguenti standard armonizzati UE applicati:

**EN 836, EN55012**

Il livello massimo di pressione sonora ponderata "A"  $L_{pA}$  nella posizione dell'operatore, registrato su un campione del prodotto indicato sopra, corrisponde al **Livello** riportato nella tabella.

Il valore massimo di vibrazione sul sistema mano/braccio, misurato in base alla norma EN ISO 20643 su un campione del prodotto indicato sopra, corrisponde al **Valore**  $a_h$  riportato nella tabella.

2000/14/CEE: il livello di potenza sonora  $L_{WA}$  misurata e i valori di potenza sonora  $L_{WA}$  garantiti corrispondono alle cifre riportate nelle tabelle.

Procedura di valutazione dalla conformità.....Annex VI

Organismo notificato.....Intertek, Cleeve Road  
Leatherhead, Surrey  
KT22 7SB, England

Newton Aycliffe 13/5/2011

M.Bowden

Direttore globale R&D – A spinta

Possessore della documentazione tecnica



Tipo	GX560
Larghezza di taglio (cm)	50.5
Velocità di rotazione della lama (rpm)	3100
Potenza nominale (kW)	3.0
Potenza sonora misurata $L_{WA}$ (dB(A))	96
Potenza sonora garantita $L_{WA}$ (dB(A))	98
<b>Livello</b> $L_{pA}$ (dB(A))	86.8
Incertezza $K_{pA}$ (dB(A))	2.5
<b>Valore</b> $a_h$ (m/s <sup>2</sup> )	3.3
Incertezza $K_{ah}$ (m/s <sup>2</sup> )	1.5
Peso (Kg)	16.5

La potenza nominale del/dei motore/i indicata è la potenza di uscita netta media rilevata su questo modello di motore in fase di produzione, misurata secondo lo standard SAE J1349 / ISO 1585 e a un numero di giri al minuto specifico.

Nei motori di produzione di massa si possono riscontrare differenze rispetto a questo valore. La potenza del motore installato nella macchina finale dipende dalla velocità operativa, dalle condizioni ambientali e da altri fattori





BELGIQUE/BELGIÉ	Husqvarna BELGIUM NV, BERGENSESTEENWEG 719, 1502 LEMBEEK Tel: 02 363 0311, Fax: 02 363 0391
ČESKÁ REPUBLIKA	Husqvarna Cesko s.r.o., oz Husqvarna Outdoor Products, Dobronická 635, 148 25 Praha 4 Tel: 02/6111 2408-9, Info-linka: 0800/110 220 Internet: www.partner-flymo.cz E-mail: info@husqvarna.cz
DANMARK	Flymo/Partner A/S, Lundtoftegårdsvej 93A, 2800 Kgs.Lyngby Tel: 4587 7577, Fax: 45933308, www.flymo-partner.dk
DEUTSCHLAND	Husqvarna Deutschland GmbH, Julius Hofmann Str. 4, 97469 Gochsheim Tel: 097 21 7640, Fax: 097 21 764202
ESTONIA	Husqvarna Eesti OÜ, Mustamäe tee 24, 10621 Tallinn Tel: +372 6650030
FRANCE	Husqvarna Jardin SAS54, 54, rue Lambrechts, BP316, 92402 COURBEVOIE cedex Tel 01 46 67 8141, Fax 01 43 34 2491
FINLAND SUOMI	OY Husqvarna AB, PL185, 00511 HELSINKI Tel: 00 39611, Fax: 00 39 612632
ITALIA	McCulloch Italiana s.r.l. Via Como 72, 23868 Valmadrera (LECCO) Tel: 800 017829, Fax: 0341 581671
IRELAND	Flymo Ireland Tel: 01 4565222, Fax: 01 4568551
MAGYARORSZÁG	Husqvarna Magyarország Kft., 1142 Budapest, Erzsébet királyné u. 87 Tel: 06-1-467 32 72, Fax: 06-1-221 50 56
NORGE	Flymo/Partner, div. av Husqvarna Norge AS Postboks 200, 1541 Vestby Tel: 69 10 47 90
NEDERLAND	Husqvarna Nederland BV, Vennootsweg 1, 2404 CG Alphen aan den Rijn Tel: +31(0) 172468322, Fax: +31(0) 172468219
ÖSTERREICH	HUSQVARNA Zentralwerkstätte, Industriezeile 36, 4020 LINZ, Tel: 0732 770101-60, Fax: 0732 795922
POLSKA	Husqvarna Poland Sp. z.o.o. 03-371 Warszawa, ul. Wysockiego 15B Tel:- (22) 8332949
SLOVENIJA	SKANTEH d.o.o. Tel:- (061) 133 70 68, Fax:-(061) 133 70 68
SLOVENSKA	Husqvarna Slovakia s.r.o., Borova Sihot 211, 033 01 Lipt. Hradok Tel: 044 522 14 19, Fax: 044 522 14 18, www.flymo-partner.sk
SOUTH AFRICA	Outdoor Products South Africa (Pty) Ltd - t/a Husqvarna Market Road Extension, Mkondeni, Pietermaritzburg Tel: +27 33 3461379, Fax: +27 33 3461385, Internet: www.husqvarna.co.za
SCHWEIZ/SUISSE/SUIZZERA	Husqvarna Schweiz AG, Industriestrasse 10, 5506 Mägenwil Tel 062/889 93 50, Fax 062/889 93 60
SVERIGE	Husqvarna AB, Sverige Tel: 036 - 14 67 00, Fax: 036 - 14 60 70
UNITED KINGDOM	Husqvarna UK Ltd. Tel: +44 325 302302, Fax: +44 325 310339

Our policy of continuous improvement means that the specification of products may be altered from time to time without prior notice.

Copyright © 2011 Husqvarna AB All rights reserved. Husqvarna® and other product and feature names are registered or unregistered trademarks of Husqvarna AB.

Husqvarna AB  
561 82  
Husqvarna  
Sweden

