

**OWNERS MANUAL  
MANUAL DEL USUARIO  
MANUEL DU PROPRIÉTAIRE  
BEDIENUNGSANLEITUNG  
MANUALE DEL PROPRIETARIO**

**Model No.  
Modelo nº  
Modèle nº  
Modell-Nr.  
Modello nº  
LST42C-669**

**CAUTION:**

Read Rules for Safe Operation  
and Instructions Carefully

**PRECAUCIÓN:**

Lea cuidadosamente las  
instrucciones y las reglas para  
una operación segura

**AVERTISSEMENT :**

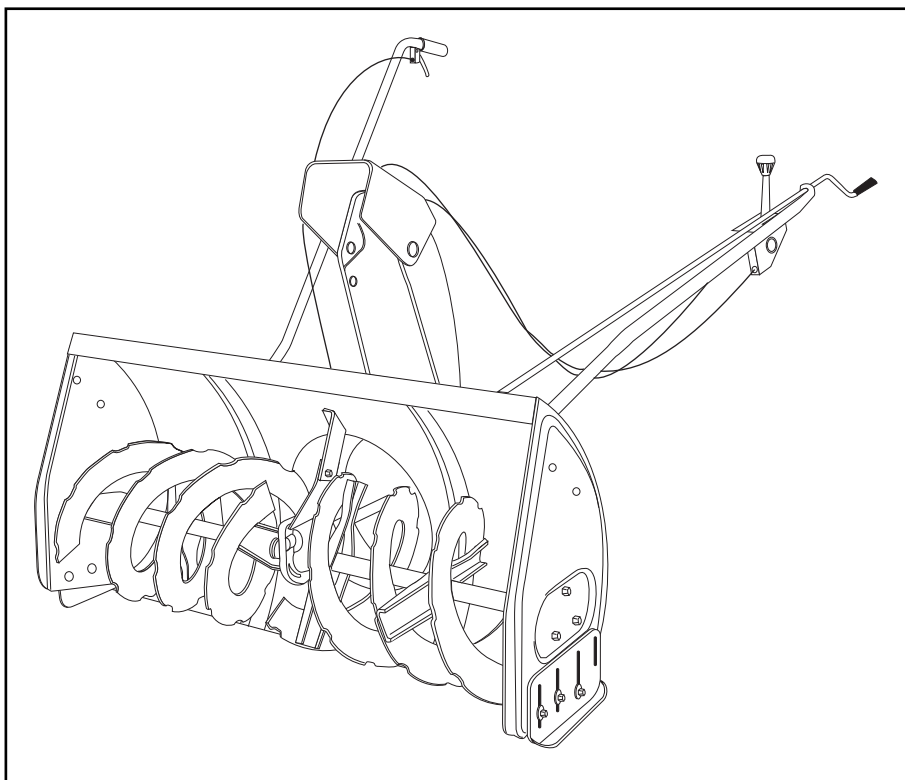
Lire et suivre attentivement les  
instructions et consignes de  
sécurité

**AACHTUNG:**

Lesen Sie bitte sowohl die  
Hinweise zum sicheren Betrieb  
sowie auch die Anweisungen  
sorgfältig durch

**ATTENZIONE:**

Leggere attentamente le norme  
di sicurezza e le istruzioni



**42" SNOW THROWER**

**SOPLADOR DE NIEVE DE 42" (106 cm)**

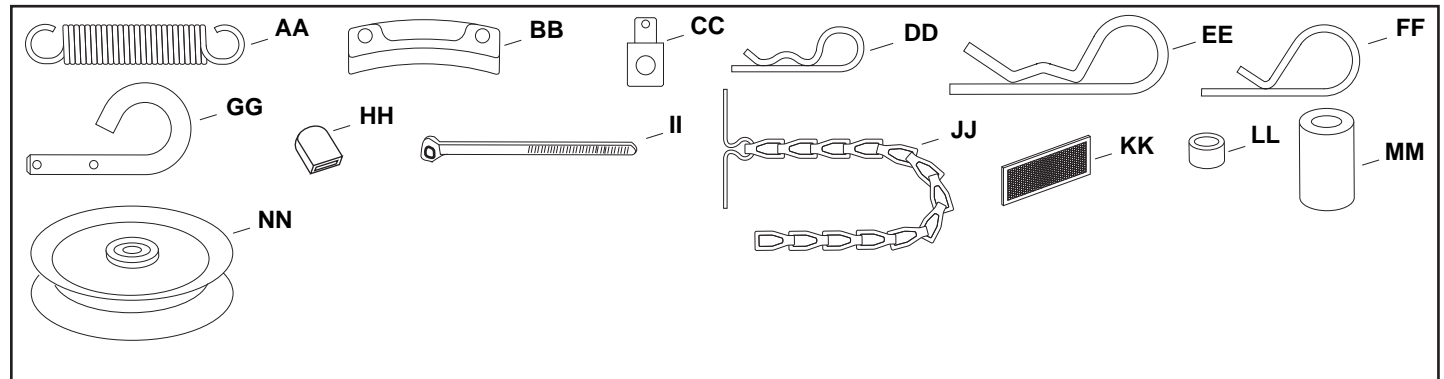
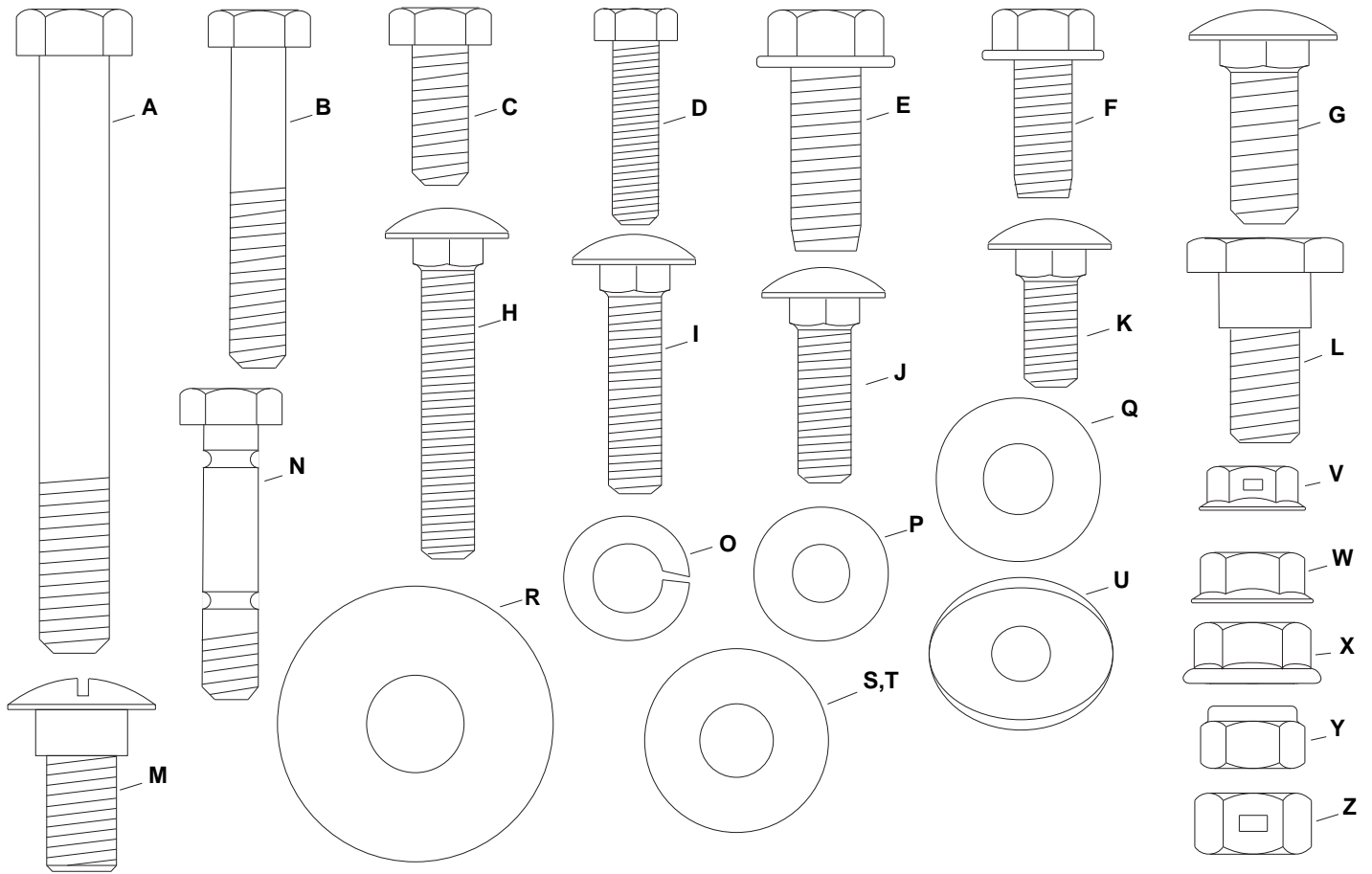
**SOUFFLEUSE À NEIGE 42 PO. (106 cm)**

**SCHNEEFRÄSE 42" (106 cm)**

**SPARTINEVE A TURBINA 42" (106 cm)**

- |                  |               |                 |
|------------------|---------------|-----------------|
| • Safety         | • Sécurité    | • Sicurezza     |
| • Assembly       | • Assemblage  | • Montaggio     |
| • Operation      | • Utilisation | • Funzionamento |
| • Maintenance    | • Entretien   | • Manutenzione  |
| • Seguridad      | • Sicherheit  |                 |
| • Montaje        | • Zusammenbau |                 |
| • Funcionamiento | • Betrieb     |                 |
| • Mantenimiento  | • Wartung     |                 |

*the fastest way to purchase parts* [www.speedepart.com](http://www.speedepart.com)



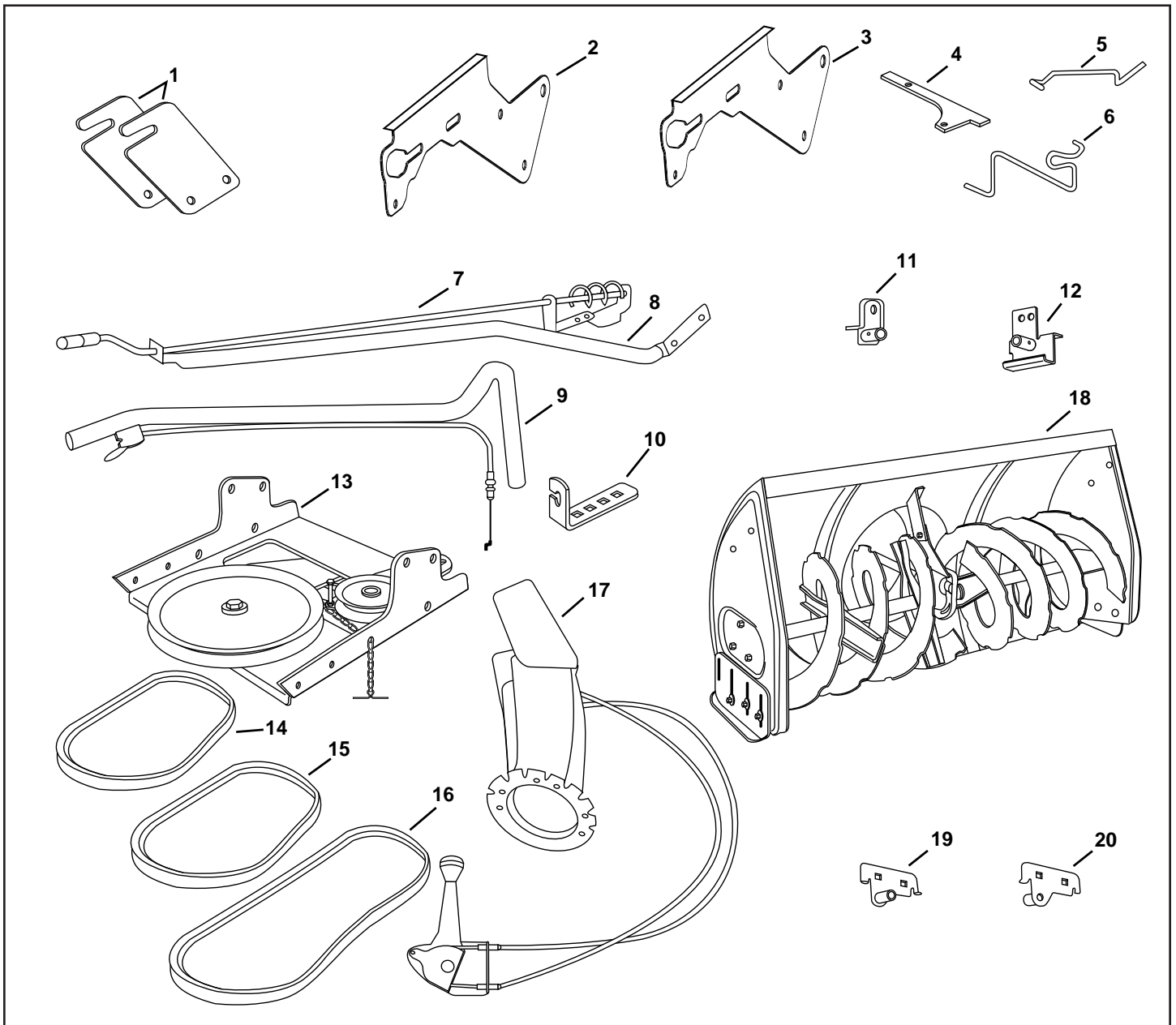
REF.	QTY	DESCRIPTION	REF.	QTY	DESCRIPTION	REF.	QTY	DESCRIPTION
A	1	Hex Bolt, 3/8" x 3-1/4"	L	4	Shoulder Bolt	Z	2	Hex Lock Nut, 3/8"
B	2	Hex Bolt, 5/16" x 1-3/4"	M	2	Shoulder Bolt	AA	1	Spring
C	4	Hex Bolt, 5/16" x 3/4"	N	2	Shear Bolt (spare parts)	BB	3	Chute Keeper
D	6	Hex Bolt, 1/4" x 1"	O	7	Lock Washer, 3/8"	CC	1	Trunnion
E	6	Hex Bolt, 3/8" x 1" (Thread Forming)	P	7	Washer, 1/4"	DD	2	Hairpin Cotter, 5/64"
F	2	Hex Bolt, 5/16" x 3/4" (Thread Forming)	Q	6	Washer, 5/16"	EE	4	Hairpin Cotter, 1/8"
G	6	Carriage Bolt, 3/8" x 1"	R	8	Washer, 1/2"	FF	1	Hairpin Cotter, 3/32"
H	2	Carriage Bolt, 5/16" x 1-3/4"	S	1	Washer, 3/8" (Thin)	GG	2	Lock Pin
I	2	Carriage Bolt, 5/16" x 1-1/4"	T	3	Washer, 3/8"	HH	1	Plastic Cap
J	4	Carriage Bolt, 5/16" x 1"	U	2	Bowed Washer	II	2	Nylon Tie
K	2	Carriage Bolt, 5/16" x 3/4"	V	6	Flanged Nut, 1/4"	JJ	2	Chain, Tensioning
			W	1	Flanged Nut, 5/16"	KK	2	Tail Reflector
			X	10	Flanged Nut, 3/8"	LL	1	Small Spacer
			Y	17	Nylock Nut, 5/16" (2 spare parts)	MM	1	Large Spacer
						NN	1	Pulley

REF.	CANT.	DESCRIPCIÓN	REF.	CANT.	DESCRIPCIÓN	REF.	CANT.	DESCRIPCIÓN
A	1	Tuerca hexagonal de 3/8" x 3-1/4"	J	4	Perno de cabeza de hongo y cuello cuadrado de 5/16" x 1"	Y	17	Tuerca Nylock de 5/16" (2 piezas de repuesto)
B	2	Tuerca hexagonal de 5/16" x 1-3/4"	K	2	Perno de cabeza de hongo y cuello cuadrado de 5/16 x 3/4"	Z	2	Tuerca hexagonal de cierre de 3/8
C	4	Tuerca hexagonal de 5/16" x 3/4"	L	4	Perno de tope	AA	1	1 resorte
D	6	Perno de cabeza hexagonal de 1/4" x 1"	M	2	Perno de tope	BB	3	Sujetador del conducto
E	6	Perno de cabeza hexagonal de 3/8" x 1" (auto-roscante)	N	2	Perno de seguridad (piezas de repuesto)	CC	1	Muñón de sujeción
F	2	Perno de cabeza hexagonal de 5/16" x 3/4" (auto-roscante)	O	7	Arandela de presión de 3/8"	DD	2	Pasador de horquilla de 5/64"
G	6	Perno de cabeza de hongo y cuello cuadrado de 3/8" x 1"	P	7	Arandela de 1/4"	EE	4	Pasador de horquilla de 1/8"
H	2	Perno de cabeza de hongo y cuello cuadrado de 5/16 x 1-3/4"	Q	6	Arandela de 5/16"	FF	1	Pasador de horquilla de 3/32"
I	2	Perno de cabeza de hongo y cuello cuadrado de 5/16 x 1-1/4"	R	8	Arandela de 1/2"	GG	2	Pasador de traba
			S	1	Arandela de 3/8" (delgada)	HH	1	Tapa plástica
			T	3	Arandela de 3/8"	II	2	Tirante de Nylon
			U	2	Arandela curvada	JJ	2	Cadena, tensora
			V	6	Tuerca con brida de 1/4"	KK	2	Reflector de cola
			W	1	Tuerca con brida de 5/16"	LL	1	Espaciador pequeño
			X	10	Tuerca con brida de 3/8"	MM	1	Espaciador grande
						NN	1	Polea

RÉF.	QTÉ	DESCRIPTION	RÉF.	QTÉ	DESCRIPTION	RÉF.	QTÉ	DESCRIPTION
A	1	Boulon hex., 3/8 x 3-1/4 po.	M	2	Boulon à épaulement	AA	1	1 Ressort
B	2	Boulon hex., 5/16 x 1-3/4 po.	N	2	Boulon de cisaillement (pièces de rechange)	BB	3	Gâches de la goulotte d'éjection
C	4	Boulon hex., 5/16 x 3/4 po.	O	7	Rondelle de blocage, 3/8 po.	CC	1	Tourillon
D	6	Boulon hex., 1/4 x 1 po.	P	7	Rondelle, 1/4 po.	DD	2	Goupille fendue, 5/64 po.
E	6	Boulon hex., 3/8 x 1 po. (auto-taraudeur)	Q	6	Rondelle, 5/16 po.	EE	4	Goupille fendue, 1/8 po.
F	2	Boulon hex., 5/16 x 3/4 po. (auto-taraudeur)	R	8	Rondelle, 1/2 po.	FF	1	Goupille fendue, 3/32 po.
G	6	Boulon de carrosserie, 3/8 x 1 po.	S	1	Rondelle, 3/8 po. (fine)	GG	2	Axe de blocage
H	2	Boulon de carrosserie, 5/16 x 1-3/4 po.	T	3	Rondelle, 3/8 po.	HH	1	Capuchon en plastique
I	2	Boulon de carrosserie, 5/16 x 1-1/4 po.	U	2	Rondelle frein	II	2	Attache en nylon
J	4	Boulon de carrosserie, 5/16 x 1 po.	V	6	Écrou à embase, 1/4 po.	JJ	2	Chaîne de tension
K	2	Boulon de carrosserie, 5/16 x 3/4 po.	W	1	Écrou à embase, 5/16 po.	KK	2	Catadioptre arrière
L	4	Boulon à épaulement	X	10	Écrou à embase, 3/8 po.	LL	1	Petite rondelle d'espacement
			Y	17	Écrou mécanique de sécurité, 5/16 po. (2 pièces de rechange)	MM	1	Grande rondelle d'espacement
			Z	2	Écrou de blocage hex. 3/8 po.	NN	1	Poulie

BEZ.	ANZ.	BESCHREIBUNG	BEZ.	ANZ.	BESCHREIBUNG	BEZ.	ANZ.	BESCHREIBUNG
A	1	Sechskantschraube, 3/8" x 3-1/4"	K	2	Schlossschraube, 5/16" x 3/4"	Z	2	Sechskantsicherungsmutter, 3/8"
B	2	Sechskantschraube, 5/16" x 1-3/4"	L	4	Gelenkschraube	AA	1	1 Feder
C	4	Sechskantschraube, 5/16" x 3/4"	M	2	Gelenkschraube	BB	3	Leitblechhalterung
D	6	Sechskantschraube, 1/4" x 1"	N	2	Scherschraube (Ersatzteile)	CC	1	Zapfen
E	6	Sechskantschraube, 3/8" x 1" (gewindeschneidend)	O	7	Sicherungsscheibe, 3/8"	DD	2	Haarnadelsplint, 5/64"
F	2	Sechskantschraube, 5/16" x 3/4" (gewindeschneidend)	P	7	Unterlegscheibe, 1/4"	EE	4	Haarnadelsplint, 1/8"
G	6	Schlossschraube, 3/8" x 1"	Q	6	Unterlegscheibe, 5/16"	FF	1	Haarnadelsplint, 3/32"
H	2	Schlossschraube, 5/16" x 1-3/4"	R	8	Unterlegscheibe, 1/2"	GG	2	Steckbolzen
I	2	Schlossschraube, 5/16" x 1-1/4"	S	1	Unterlegscheibe, 3/8" (dünn)	HH	1	Plastikkappe
J	4	Schlossschraube, 5/16" x 1"	T	3	Unterlegscheibe, 3/8"	II	2	Kabelbinder
			U	2	Gewölbte Unterlegscheibe	JJ	2	Spannkette
			V	6	Flanschmutter, 1/4"	KK	2	Rückwärtiger Reflektor
			W	1	Flanschmutter, 5/16"	LL	1	Kleines Distanzstück
			X	10	Flanschmutter, 3/8"	MM	1	Großes Distanzstück
			Y	17	Sechskantmutter mit Klemmteil, 5/16" (2 Ersatzteile)	NN	1	Riemenscheibe

RIF.	QTÀ.	DESCRIZIONE	RIF.	QTÀ.	DESCRIZIONE	RIF.	QTÀ.	DESCRIZIONE
A	1	Bullone esagonale da 3/8" x 3-1/4"	K	2	Chiavarda a testa rotonda da 5/16" x 3/4"	Y	17	Dado Nylock da 5/16" (2 parti di ricambio)
B	2	Bullone esagonale da 5/16" x 1-3/4"	L	4	Vite con gambo parzialmente filettato	Z	2	Controdado esagonale da 3/8"
C	4	Bullone esagonale da 5/16" x 3/4"	M	2	Vite con gambo parzialmente filettato	AA	1	1 molla
D	6	Bullone esagonale da 1/4" x 1"	N	2	Perno di sicurezza (pezzi di ricambio)	BB	3	Fissatore dello scivolo
E	6	Bullone esagonale da 3/8" x 1" (autofilettante)	O	7	Rondella elastica da 3/8"	CC	1	Perno di articolazione
F	2	Bullone esagonale da 5/16" x 3/4" (autofilettante)	P	7	Rondella da 1/4"	DD	2	Chiavetta a forcella da 5/64"
G	6	Chiavarda a testa rotonda da 3/8" x 1"	Q	6	Rondella da 5/16"	EE	3	Chiavetta a forcella da 1/8"
H	2	Chiavarda a testa rotonda da 5/16" x 1-3/4"	R	8	Rondella da 1/2"	FF	1	Chiavetta a forcella da 3/32"
I	2	Chiavarda a testa rotonda da 5/16" x 1-1/4"	S	1	Rondella da 3/8" (Thin)	GG	2	Spinotto di bloccaggio
J	4	Chiavarda a testa rotonda da 5/16" x 1"	T	3	Rondella da 3/8"	HH	1	Tappo di plastica
			U	2	Rondella arcuata	II	2	Tirante di plastica
			V	6	Dado a colletto da 1/4"	JJ	2	Catena, Messa in tensione
			W	1	Dado a colletto da 5/16"	KK	2	Riflettore di coda
			X	10	Dado a colletto da 3/8"	LL	1	Piccolo distanziale
						MM	1	Grande distanziale
						NN	1	Puleggia



## CARTON CONTENTS

- |     |  |     |  |
|-----|--|-----|--|
| 1.  | Suspension Arms (2)                            | 11. | L.H. Hanger Bracket (Outside Mounting)       |
| 2.  | Left Hand Side Plate                           | 12. | R.H. Hanger Bracket (Outside Mounting)       |
| 3.  | Right Hand Side Plate                          | 13. | Clutch Idler Assembly                        |
| 4.  | Anti-rotation Bracket                          | 14. | V-Belt, Drive (Short) #46989                 |
| 5.  | Engagement Rod (Not used on some models)       | 15. | V-Belt, Drive (Long) #48138                  |
| 6.  | Engine Pulley Keeper (Not used on some models) | 16. | V-Belt, Auger (Attached to Housing Assembly) |
| 7.  | Chute Crank Rod Assembly                       | 17. | Chute and Control Cable Assembly             |
| 8.  | Support Tube, Crank Rod                        | 18. | Housing Assembly                             |
| 9.  | Lift Handle and Cable                          | 19. | L.H. Hanger Bracket (Inside Mounting)        |
| 10. | Cable Bracket                                  | 20. | R.H. Hanger Bracket (Inside Mounting)        |
|     |  |     | Hardware Package (Stored inside Plastic Keg) |

## CONTENIDO DE LA CAJA

1. Brazos de suspensión (2)
  2. Placa lateral izquierda
  3. Placa lateral derecha
  4. Soporte antirrotación
  5. Varilla de enganche (No se utiliza en algunos modelos)
  6. Sujetador de la polea motor (No se utiliza en algunos modelos)
  7. Conjunto varilla manivela del conducto
  8. Tubo soporte, varilla de la manivela
  9. Manivela de elevación y cable
  10. Soporte para el cable
  11. Soporte de suspensión lado izquierdo (Se monta en el exterior)
  12. Soporte de suspensión lado derecho (Se monta en el exterior)
  13. Conjunto de embrague/polea libre
  14. Correa trapezoidal, transmisión (corta) #46989
  15. Correa trapezoidal, transmisión (larga) #48138
  16. Correa trapezoidal, barrena (enganchada al conjunto de la carcasa)
  17. Conjunto de cable de control y de conducto.
  18. Carcasa
  19. Soporte de suspensión lado izquierdo (Se monta en el interior)
  20. Soporte de suspensión lado derecho (Se monta en el interior)
- Paquete de accesorios (se guarda en el interior de una bolsa de plástico)

## CONTENU DU CARTON

1. Bras de suspension (2)
  2. Plaque latérale gauche
  3. Plaque latérale droite
  4. Patte anti-rotation
  5. Bielle de mise en prise (n'est pas utilisée sur certains modèles)
  6. Gâche de la poulie du moteur (n'est pas utilisée sur certains modèles)
  7. Bielle de la goulotte d'éjection
  8. Tube de support de la bielle de la goulotte
  9. Poignée d'élévation et câble
  10. Support de fixation du câble
  11. Support suspendu gauche (montage extérieur)
  12. Support suspendu droit (montage extérieur)
  13. Ensemble embrayage et galet tendeur
  14. Petite courroie en V du mécanisme d'entraînement no. 46989
  15. Longue courroie en V du mécanisme d'entraînement no. 48138
  16. Courroie en V de la tarière (fixée au carter de protection)
  17. Ensemble de la goulotte d'éjection et du câble de commande
  18. Carter de protection
  19. Support suspendu gauche (montage intérieur)
  20. Support suspendu droit (montage intérieur)
- Sac de pièces de quincaillerie (située à l'intérieur d'un baril en plastique)

## INHALT DES KARTONS

1. Aufhängungsarme (2)
  2. Linke Seitenplatte
  3. Rechte Seitenplatte
  4. Verdrehenschutzhalterung
  5. Einrückstange (kommt nicht bei allen Modellen zum Einsatz)
  6. Keilriemenhalter (kommt nicht bei allen Modellen zum Einsatz)
  7. Leitblechverstellstangenbaugruppe
  8. Stützrohr, Verstellstange
  9. Hebergriff und Kabel
  10. Kabelkonsole
  11. linke Hängerhalterung (Außenmontage)
  12. rechte Hängerhalterung (Außenmontage)
  13. Kupplungs-/Umlenkrollenbaugruppe
  14. Keilriemen, Antrieb (kurz) Nr. 46989
  15. Keilriemen, Antrieb (lang) Nr. 48138
  16. Keilriemen, Schnecke (Mit der Gehäusebaugruppe verbunden)
  17. Leitblech- und Steuerkabelbaugruppe
  18. Gehäusebaugruppe
  19. linke Hängerhalterung (Innenmontage)
  20. rechte Hängerhalterung (Innenmontage)
- Kleinteilepackung (im Plastikfass untergebracht)

## CONTENUTO DEI CARTONI

1. Bracci di sospensione (2)
  2. Piastra laterale sinistra
  3. Piastra laterale destra
  4. Staffa antirrotazione
  5. Asta di inserimento (Non usato in alcuni modelli)
  6. Fissatore della puleggia motrice (Non usato in alcuni modelli)
  7. Gruppo asta manovella dello scivolo
  8. Tubo di supporto, Asta manovella
  9. Maniglia e cavo di sollevamento
  10. Staffa del cavo
  11. Staffa del gancio sinistro (montaggio esterno)
  12. Staffa del gancio destro (montaggio esterno)
  13. Gruppo innesto ingranaggio folle
  14. Cinghia a V, motrice (corta) no.46989
  15. Cinghia a V, motrice (lunga) no. 48138
  16. Cinghia a V, Coclea (Attaccata al gruppo alloggiamento)
  17. Gruppo scivolo e cavo di comando
  18. Gruppo alloggiamento
  19. Staffa del gancio sinistro (montaggio interno)
  20. Staffa del gancio destro (montaggio interno)
- Pacchetto bulloneria (conservato all'interno del barilotto di plastica)



## SAFETY



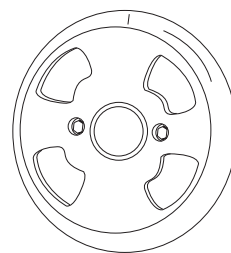
Any power equipment can cause injury if operated improperly or if the user does not understand how to operate the equipment. Exercise caution at all times, when using power equipment.

- Read this owner's manual carefully and know how to operate your snow thrower and how to stop the unit and disengage the controls quickly.
- Never allow children to operate the equipment.
- Never allow adults to operate the equipment without proper instruction.
- Keep the area of operation clear of all persons, especially small children, and pets.
- Thoroughly inspect the area where the equipment is to be used and remove all door mats, sleds, boards, wires and other foreign objects.
- Disengage all clutches and shift into neutral before starting engine.
- Do not operate equipment without wearing adequate winter outer garments.
- Wear substantial footwear which will protect feet and improve footing on slippery surfaces.
- Check fuel before starting the engine. Do not remove the fuel cap or fill the fuel tank while the engine is running or hot. Do not fill the fuel tank indoors. Gasoline is an extremely flammable fuel.
- Make sure the snow thrower height is adjusted to clear the type surface it will be used on.
- Do not use the snow thrower without the rear weight attached to the tractor.
- Never make any adjustments while the engine is running.
- Always wear safety glasses or eye shield during operation or while performing adjustment or repair.
- Do not place hands or feet near rotating parts. Keep clear of the discharge opening at all times.
- Use extreme caution when operating on or crossing gravel surfaces.
- Do not carry passengers.
- After striking a foreign object, stop the engine, remove the wire from the spark plug and then thoroughly inspect the snow thrower for damage. Repair any damage before restarting and operating the snow thrower.
- If the snow thrower starts to vibrate abnormally, stop the engine immediately and check for the cause. Vibration is generally a warning of trouble.
- Stop the engine whenever you leave the operating position, before unclogging the snow thrower or making any adjustments or inspections.
- Take all possible precautions when leaving the unit unattended. Disengage the attachment clutch lever or switch, lower the snow thrower, shift into neutral, set the parking brake, stop the engine and remove the key.
- When cleaning, repairing or inspecting, make certain all moving parts have stopped. Disconnect the spark plug wire and keep it away from the plug to prevent accidental starting.
- Do not run engine indoors except when transporting the snow thrower in or out of the building. Open the outside doors. Exhaust fumes are dangerous.
- Do not clear snow across the face of slopes. Exercise extreme caution when changing direction on slopes. Do not attempt to clear steep slopes. Refer to the slope guide on page 79 of this manual.
- Never operate the snow thrower without guards, plates or other safety protection devices in place.
- Never operate the snow thrower near glass enclosures, automobiles, window wells, drop offs etc. without proper adjustment of the snow thrower discharge angle.
- Never direct discharge at bystanders or allow anyone in front of the snow thrower.
- Never run the snow thrower into material at high speeds.
- Do not overload the machine capacity by attempting to clear snow at too fast a rate.
- Never operate the machine at high transport speed on slippery surfaces. Look behind and use care when backing up.
- Watch for traffic and stay alert when crossing or operating near roadways.
- Disengage power to the snow thrower when transporting or when not in use.
- Use only attachments and accessories approved by the manufacturer of the snow thrower (such as wheel weights, counter weights, cabs etc.)
- Never operate the snow thrower without good visibility or light.

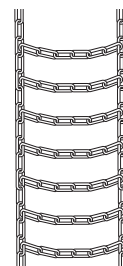
### IMPORTANT:

Rear wheel weights and tire chains are required to provide extra traction and stability when using this snow thrower attachment. These items are available where you purchased your tractor.

### WHEEL WEIGHTS



### TIRE CHAINS



# ASSEMBLY

## TOOLS REQUIRED FOR ASSEMBLY

- (2) 7/16" Wrenches
- (2) 1/2" Wrenches
- (2) 9/16" Wrenches
- (2) 3/4" Wrenches
- (1) Screw Driver
- (1) Knife

## ADDITIONAL ITEMS REQUIRED

General Purpose Grease

## REMOVAL OF PARTS FROM CARTON

- Remove all parts and hardware packages from the carton. Lay out parts and hardware and identify using the illustrations on pages 2 and 5.

**NOTE:** Not all of the supplied parts and hardware will be needed for your particular tractor. Unneeded items may be discarded after you have completed assembly and checked operation of unit. **DO NOT DISCARD** the two spare shear bolts (N) and 5/16" nylock nuts (Y). Refer to the Service and Adjustments section on page 28.



**CAUTION:** Before starting to assemble the snow thrower, remove the spark plug wire(s), set the parking brake and remove the key from the tractor ignition.

## TRACTOR PREPARATION

Before performing these instructions, refer to the Service and Adjustments section of your tractor owner's manual for specific safety instructions.

- Allow engine, muffler and exhaust deflector to cool before beginning.
- Remove any front or rear attachment which is mounted to your tractor.
- Remove the mower deck. Refer to your tractor owner's manual for removal instructions. Mark all loose parts and save for reassembly.
- Remove the tractor hood. Refer to your tractor owner's manual for removal instructions.

**IMPORTANT:** Right hand (R.H.) and left hand (L.H.) side of the tractor are determined from the operators position while seated on the tractor.

## IDENTIFY YOU TRACTOR

### STEP 1: (SEE FIGURE 1)

- Look under the front of your tractor. If there is a single mower deck suspension bracket located underneath the middle of the front axle, continue on to step 2. **If your tractor does not have a mower deck suspension bracket underneath the middle of the front axle, skip to step 21 on page 14 for tractors with dual suspension brackets.**

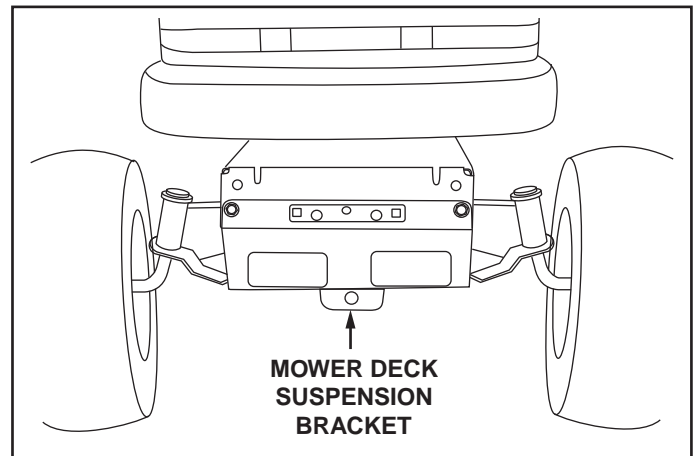


FIGURE 1

## INSTRUCTIONS FOR TRACTORS WITH SINGLE FRONT DECK SUSPENSION BRACKET

### STEP 2: (SEE FIGURE 2)

- Remove the browning shield from the front of the tractor as shown. Hold onto the shield as you remove the second screw to prevent it from falling.
- Be sure to reinstall the browning shield when so instructed in step 3.

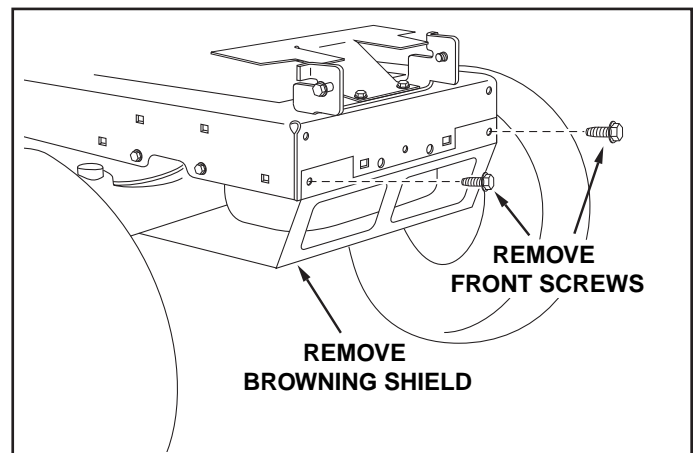


FIGURE 2

RIGHT SIDE VIEW



## INSTALL SIDE PLATES

### STEP 3: (SEE FIGURE 3)

- Fasten the R.H. Side Plate (bend facing out) to the front three holes in the tractor frame using three 3/8" x 1" carriage bolts (G), three 1/2" washers (R) (see note) and three 3/8" flange nuts (X). For the rear hole, use a 5/16" x 1" carriage bolt (J), a 1/2" washer (R) and a 5/16" nylock nut (Y). Place the 1/2" washers (R) between the tractor frame and the side plate. Repeat for L.H. side plate.
- Reinstall the browning shield onto the tractor frame using the original screws.

**NOTE:** If there is an engine mounting plate (shown with dotted lines) leave the 1/2" washer off the bolt that goes through the plate.

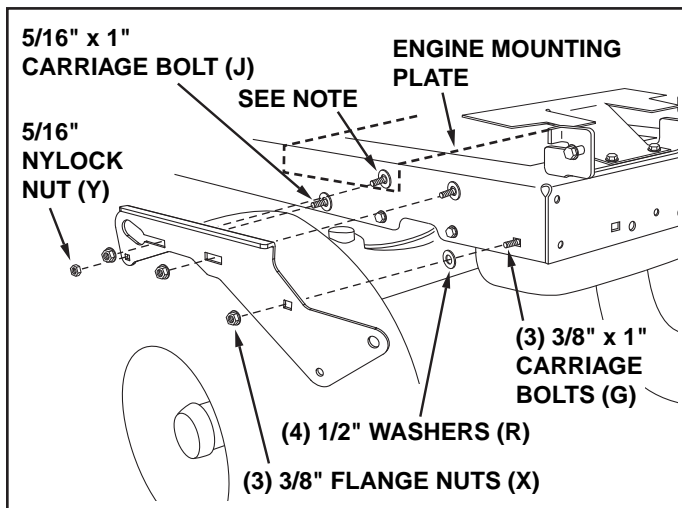


FIGURE 3 RIGHT SIDE VIEW

### STEP 4: (SEE FIGURE 4)

- Assemble a shoulder bolt (L) and a 3/8" washer (T) to the outside of R.H. side plate, securing it with a 3/8" flanged nut (X). Repeat for L.H. side plate.

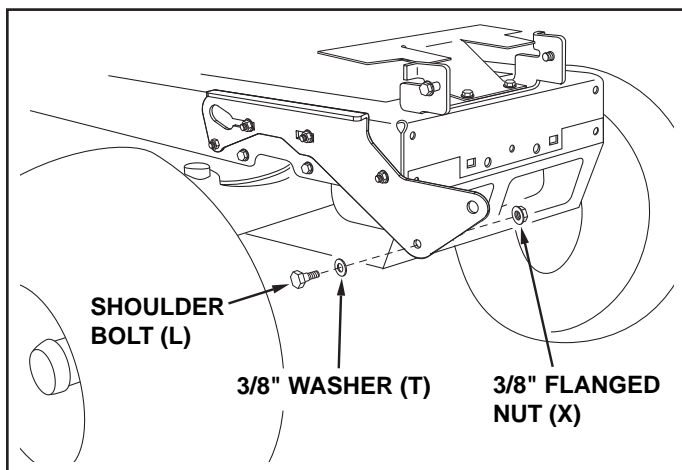


FIGURE 4 RIGHT SIDE VIEW

## INSTALL HANGER BRACKETS AND SHOULDER BOLTS TO OUTSIDE OF FRAME

### STEP 5: (SEE FIGURE 5)

- Remove the bolt, if present, in the hole directly behind the brake rod on the left side of the tractor frame.
- Attach the L.H. Hanger Bracket (tube facing out) to the hole using a 5/16" x 3/4" self threading bolt (F).
- Install a round head shoulder bolt (M) into the hole that is 9-1/2" to the rear of the bolt you just installed. Secure it with a 3/8" flange nut (X) on the inside of the frame.

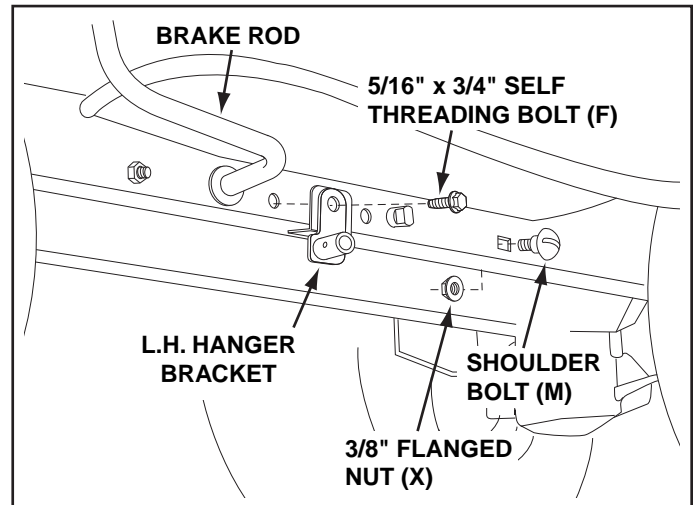


FIGURE 5 LEFT SIDE VIEW

### STEP 6: (SEE FIGURE 6)

- Remove the bracket, if present, from the hole directly behind the end of the brake rod on the right side of the tractor frame. Store the bracket and bolt.
- Attach the R.H. Hanger Bracket to the hole using a 5/16" x 3/4" self threading bolt (F).
- Install a round head shoulder bolt (M) into the hole that is 9-1/2" to the rear of the bolt you just installed. Secure it with a 3/8" flange nut (X) on the inside of the frame.

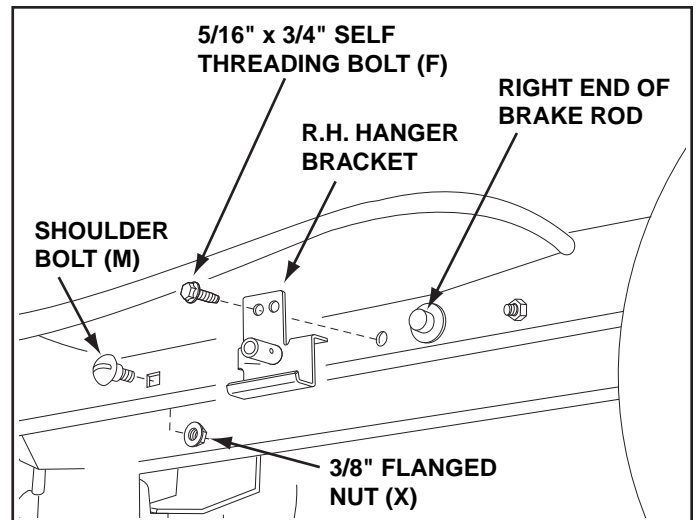


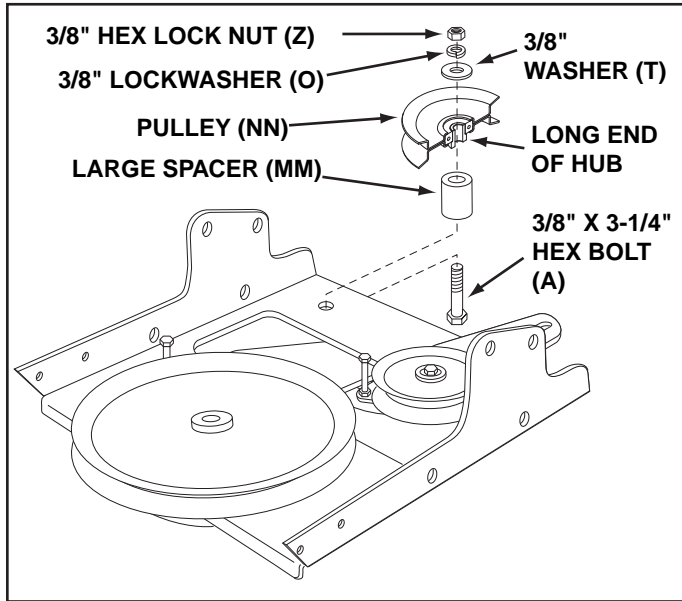
FIGURE 6 RIGHT SIDE VIEW

**THIS SECTION IS FOR TRACTORS WITH A  
MANUAL ATTACHMENT CLUTCH**

If your tractor has an electric attachment clutch go to step 14 on page 12.

**STEP 7: (SEE FIGURE 7)**

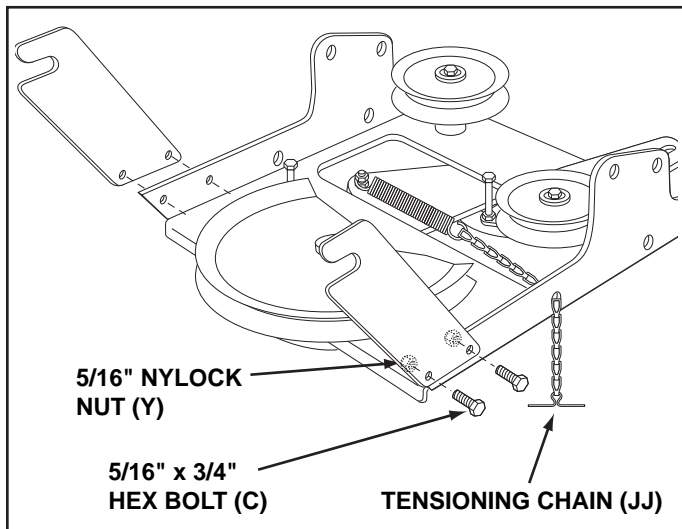
- Attach the pulley (long end of hub facing down) and the large spacer (MM) to the hole shown in the clutch/idler assembly. Use a 3/8" x 3-1/4" hex bolt (A), a 3/8" washer (T), a 3/8" lock washer (O) and a 3/8" hex lock nut (Z).



**FIGURE 7**

**STEP 8: (SEE FIGURE 8)**

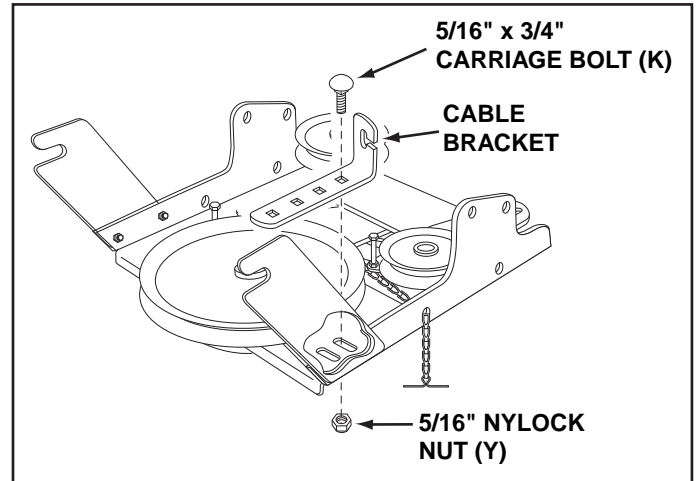
- Attach the two suspension arms to the rear of the clutch/idler assembly using two 5/16" x 3/4" hex bolts (C) and 5/16" nylock nuts (Y) for each arm. Place the arms on the outside of the frame with the notches to the rear.
- Insert a tensioning chain through the hole shown and attach the end link to the spring on the lower idler arm.



**FIGURE 8**

**STEP 9: (SEE FIGURE 9)**

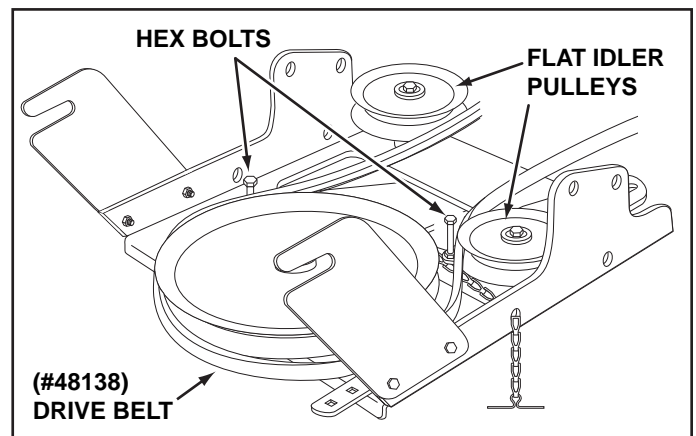
- Attach the cable bracket to the slot shown in the clutch/idler assembly using a 5/16" x 3/4" carriage bolt (K) and a 5/16" nylock nut (Y). Place the bolt in the front hole of the bracket and in the end of the slot closest to the pulley. **Do not tighten yet.**



**FIGURE 9**

**STEP 10: (SEE FIGURE 10)**

- Two different length drive belts are included with your snow thrower. Tractors with manual attachment clutches and single front deck suspension brackets use the 56" drive belt with #48138 printed on the outside of the belt. **DO NOT USE** the other belt.
- Slightly loosen the hex bolt next to the flat idler pulley. Install the drive belt down between the hex bolt and the flat idler pulley with the flat side of the belt against the pulley. Retighten the hex bolt.
- Loop the belt around the large v-pulley, placing it between the v-pulley and the hex bolt next to the pulley. Place the belt to the inside of the other flat idler pulley.



**FIGURE 10**



Did you select the correct drive belt for your tractor? Using the wrong length belt may cause premature bearing or belt failure.

**STEP 11: (SEE FIGURE 11)**

- Find the cable clip that is attached to the left side of the tractor frame underneath the footrest. Open the clip and remove the mower clutch cable. **Do not remove** the clip from the tractor frame. The cable reattaches to the clip when using the mower deck.
- Move the attachment clutch lever on the dash panel to the disengaged position.
- Place the clutch/idler assembly on the floor on the left side of the tractor.
- Attach the tractor's mower clutch cable to the cable bracket on the clutch/idler assembly. Secure the cable housing guide (groove down) to the cable bracket using the original collar and a 5/64" hair cotter pin (DD).
- Place a spacer (LL) on the welded pin on the idler arm. Hook the end of the clutch cable spring over the pin and secure it with a 1/4" washer (P) and a 5/64" hair cotter pin (DD).
- Align cable bracket with welded pin and tighten the nut assembled in step 9.

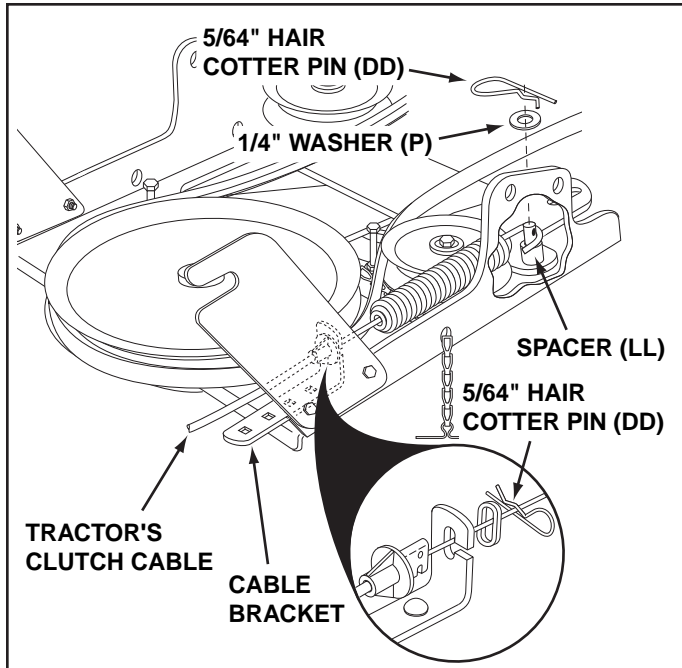


FIGURE 11

**ATTACH CLUTCH IDLER ASSEMBLY TO TRACTOR**

**STEP 12: (SEE FIGURE 12)**

- Attach the clutch/idler assembly to the tractor frame. Hook the notched suspension arms onto the two shoulder bolts (M) assembled to the outside of the tractor frame. Lift the front of the assembly and attach it to the R.H. and L.H. hanger brackets using two pivot lock pins (GG) and 1/8" hairpin cotters (EE).
- Loosely attach the mower clutch cable to the left side of the tractor frame with a nylon tie (II). **Do not pull** the nylon tie completely tight. The cable may need to be removed from the nylon tie when using the mower deck.

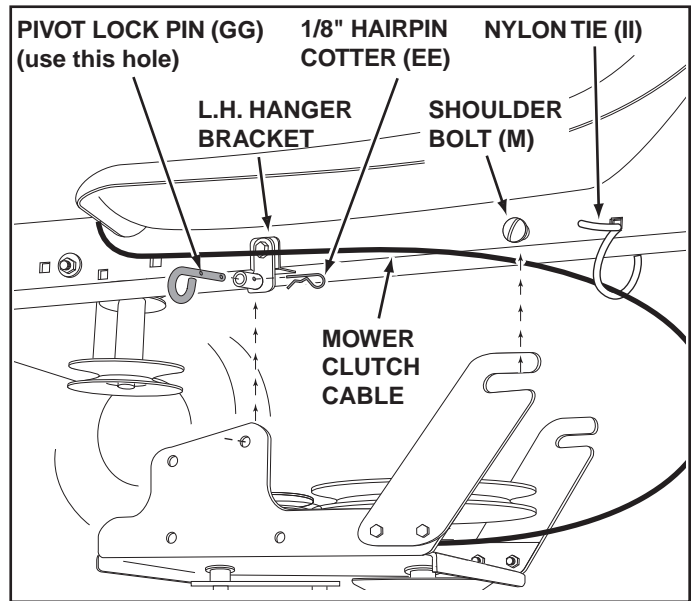


FIGURE 12 VIEWED FROM LEFT SIDE

**STEP 13: (SEE FIGURE 13)**

- Assemble the drive belt onto the engine pulley first and then onto the large pulley on top of the clutch/idler assembly. The belt must be placed inside the engine pulley belt keeper(s) and between the large pulley and the keeper bolt next to it.

**IMPORTANT: Do Not** assemble the "V" belt outside of the engine pulley keepers or outside of the keeper bolt next to the large pulley.

- Go to step 48 on page 21.

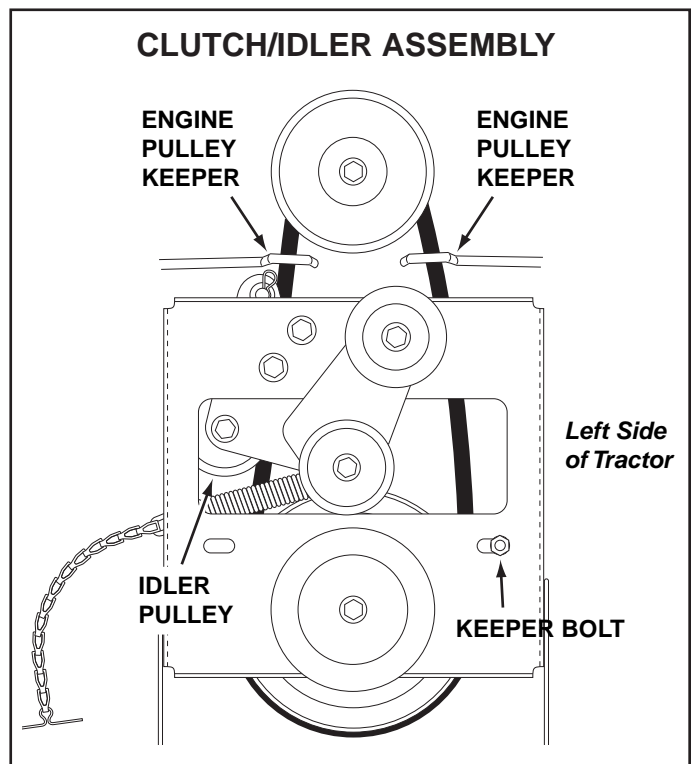
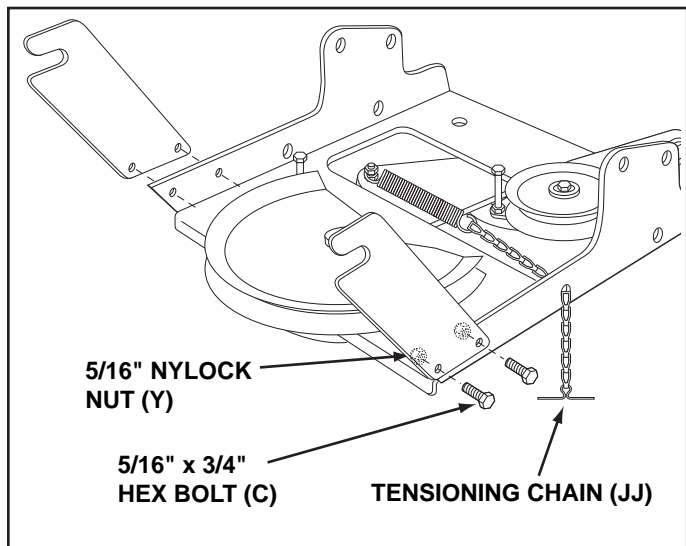


FIGURE 13 VIEWED FROM UNDERNEATH

**THIS SECTION IS FOR TRACTORS WITH AN ELECTRIC ATTACHMENT CLUTCH**

**STEP 14: (SEE FIGURE 14)**

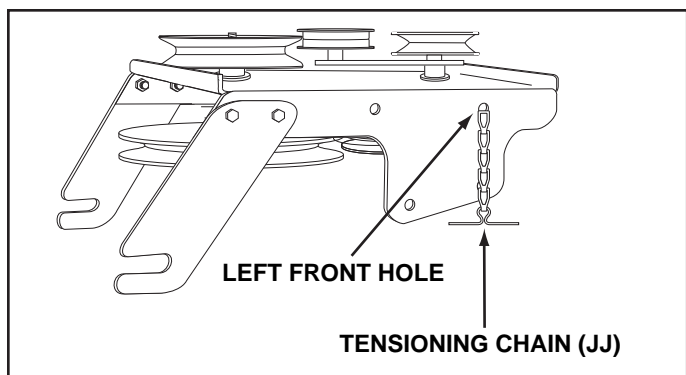
- Attach the two suspension arms to the rear of the clutch/idler assembly using two 5/16" x 3/4" hex bolts (C) and 5/16" nylock nuts (Y) for each arm. Place the arms on the outside of the frame with the notches to the rear.
- Insert a tensioning chain through the hole shown and attach the end link to the spring on the lower idler arm.



**FIGURE 14**

**STEP 15: (SEE FIGURE 15)**

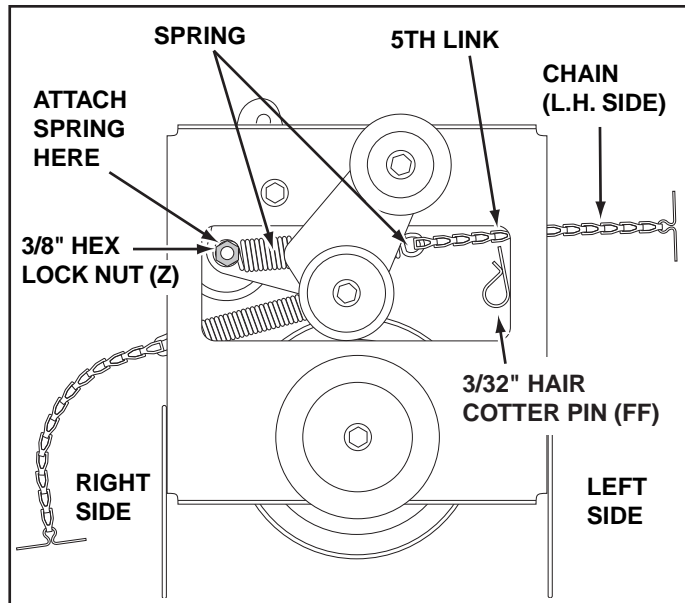
- Turn the clutch/idler assembly upside down and insert the second tensioning chain (JJ) through the left front hole.



**FIGURE 15**

**STEP 16: (SEE FIGURE 16)**

- Hook one end of the spring supplied in the parts bag through the end link of the tensioning chain.
- With the clutch/idler assembly turned upside down, hook the other end of the spring onto the end of the bolt and nut which secure the idler pulley to the upper idler arm. Assemble a 3/8" hex lock nut (Z) onto the bolt and nut, leaving enough gap between the nuts for the spring to pivot freely.
- Attach a 3/32" hairpin cotter (FF) to the chain, placing it in the fifth link from the spring.



**FIGURE 16 VIEW OF BOTTOM**

**SELECT THE CORRECT DRIVE BELT (Electric clutch tractors with a single front deck suspension bracket)**

**STEP 17: (SEE TABLE 1)**

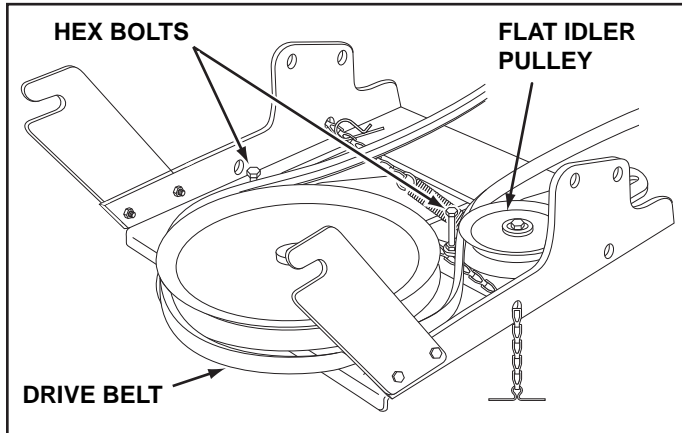
- Two different length drive belts are included with your snow thrower. Use the table below to select the correct drive belt for your type tractor. The part number is printed on the outside of the belt .
- Set aside the belt that is not for your tractor to avoid accidentally using it.

55" BELT (PART #46989)		
TRACTOR TYPE	DECK SIZE	CLUTCH TYPE
(LT) Lawn Tractor	38", 42"	Electric
56" BELT (PART #48138)		
TRACTOR TYPE	DECK SIZE	CLUTCH TYPE
(LT) Lawn Tractor	48"	Electric
(GT) Garden Tractor	48", 54"	Electric

**TABLE 1**

**STEP 18: (SEE FIGURE 17)**

- Turn the clutch/idler assembly right side up.
- Slightly loosen the hex bolt next to the flat idler pulley. Install the drive belt down between the hex bolt and the flat idler pulley with the flat side of the belt against the pulley. Retighten the hex bolt.
- Loop the belt around the large v-pulley, placing it between the v-pulley and the hex bolt next to the pulley.

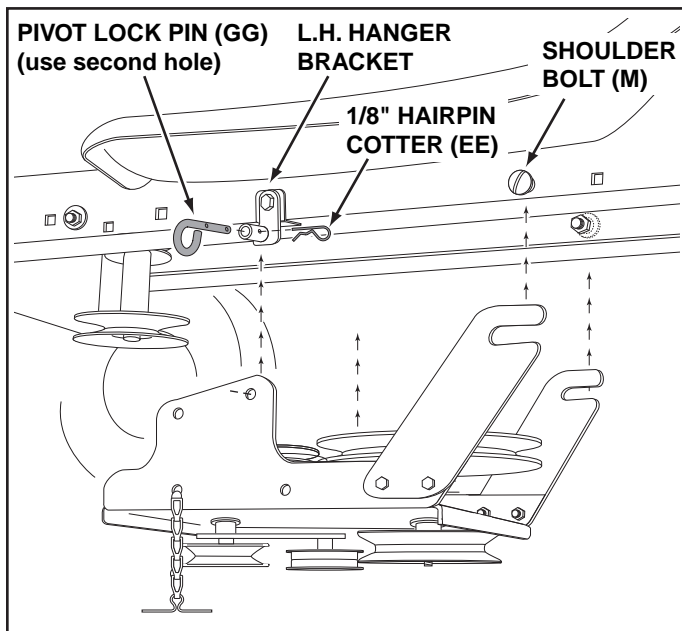


**FIGURE 17**

**STOP** Did you choose the correct drive belt for your tractor? Using the wrong length belt may cause premature bearing or belt failure.

**STEP 19: (SEE FIGURE 18)**

- Attach the clutch/idler assembly to the tractor frame. Hook the notched suspension arms onto the two shoulder bolts (M) assembled to the outside of the tractor frame. Lift the front of the assembly and attach it to the R.H. and L.H. hanger brackets using two pivot lock pins (GG) and 1/8" hairpin cotters (EE).



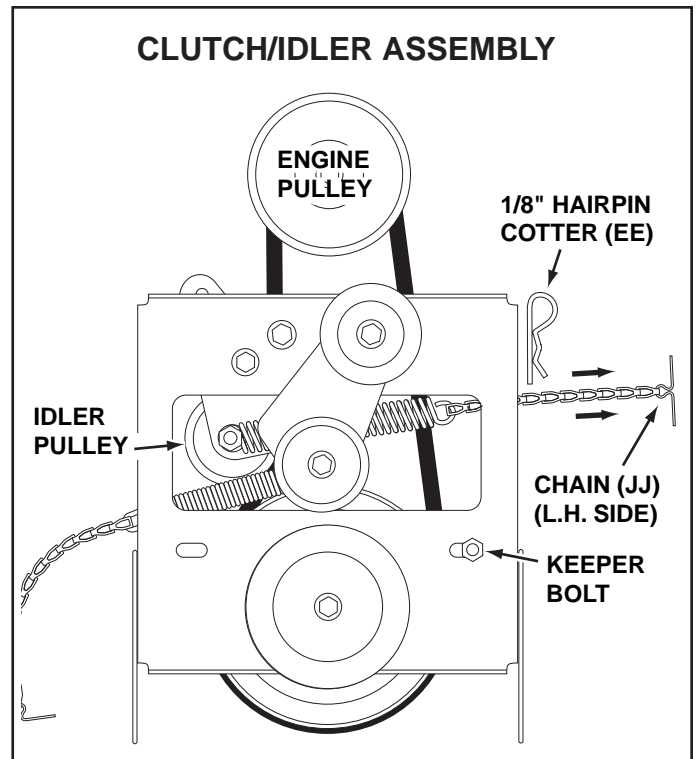
**FIGURE 18 VIEWED FROM LEFT SIDE**

**STEP 20: (SEE FIGURE 19)**

- Assemble the drive belt onto the engine pulley first and then onto the large pulley on top of the clutch/idler assembly. Place the belt to the inside of the idler pulley and the belt keeper bolt located beside the large pulley.
- Place tension on the belt by pulling the left side tensioning chain (JJ) out as far as the 3/32" hairpin cotter in the chain will allow. Secure the chain in this position by inserting a 1/8" hairpin cotter (EE) through the chain.

**IMPORTANT: Do Not** assemble the drive belt around the outside of the keeper bolt beside the large pulley.

- Go to step 48 on page 22.



**FIGURE 19 VIEWED FROM UNDERNEATH**

# INSTRUCTIONS FOR TRACTORS WITH DUAL FRONT DECK SUSPENSION BRACKETS

## FASTEN SIDE PLATES TO TRACTOR

If your tractor resembles figure 20, go to step 21.  
 If your tractor resembles figure 22, go to step 23.

### STEP 21: (SEE FIGURE 20)

- Remove bolts from front three holes shown.
- If a bolt is present in the fourth hole, replace it with a 5/16" x 1" carriage bolt (J) without a nut. The bracket fastened to inside of frame must remain in place.

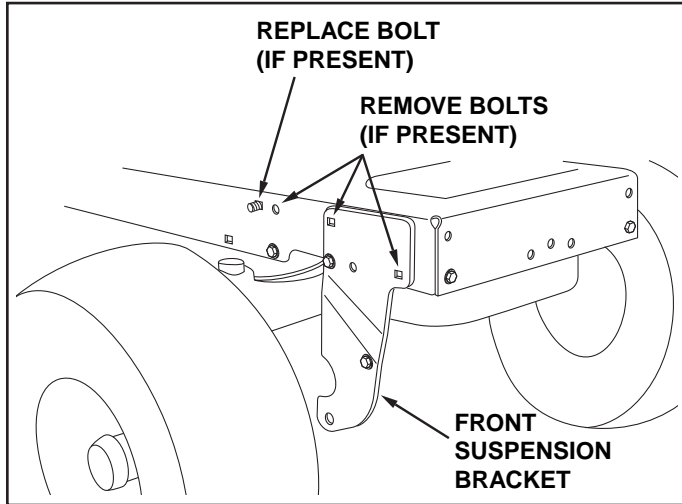


FIGURE 20 RIGHT SIDE VIEW

### STEP 22: (SEE FIGURE 21)

- Fasten the R.H. Side Plate (bend facing out) to the front three holes shown in the tractor frame using three 3/8" x 1" thread forming bolts (E), three 3/8" lock washers (O) and one 1/2" washer (R) placed on the third bolt as a shim between the side plate and the frame. Tighten all bolts. Repeat for the L.H. side.

**NOTE:** If you installed a bolt in the fourth hole in step 21, assemble a 5/16" flange nut (W) onto the bolt after the side plate is installed.

- Go to step 25 on this page.

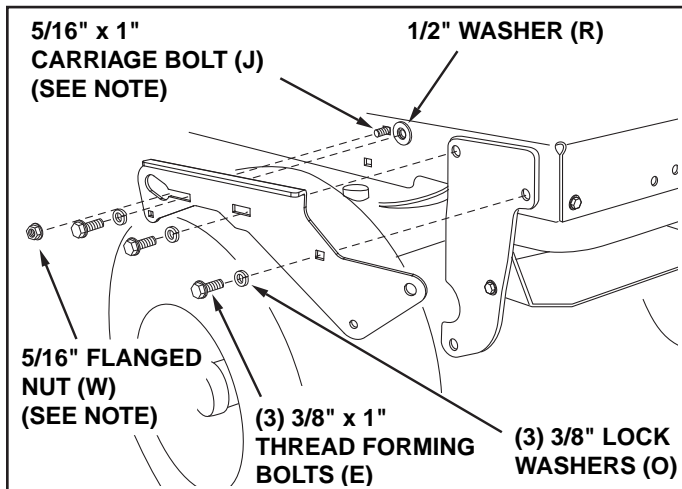


FIGURE 21 RIGHT SIDE VIEW

### STEP 23: (SEE FIGURE 22)

- Remove any bolts found in the holes shown.

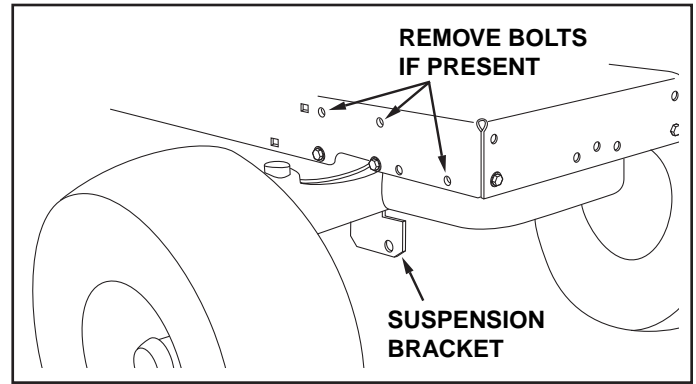


FIGURE 22 RIGHT SIDE VIEW

### STEP 24: (SEE FIGURE 23)

- Fasten the R.H. Side Plate (bend facing out) to the three holes shown in the tractor frame. Use three 3/8" x 1" thread forming bolts (E), 3/8" lock washers (O) and 1/2" washers (R). Use the 1/2" washers as shims between the Side Plate and the tractor frame. Tighten all bolts and repeat for the L.H. side.

**NOTE:** If the bolt inserts freely into the front hole, assemble a 3/8" flanged nut (X) onto the bolt.

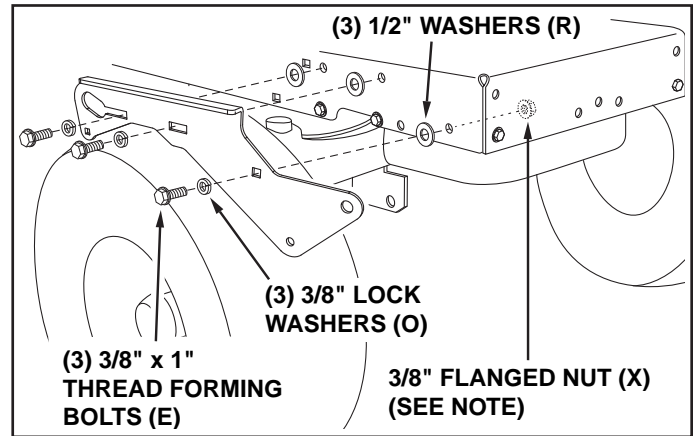


FIGURE 23 RIGHT SIDE VIEW

### STEP 25: (SEE FIGURE 24)

- Assemble a shoulder bolt (L) and a 3/8" washer (T) to the outside of each side plate, securing them with a 3/8" flanged nut (X).

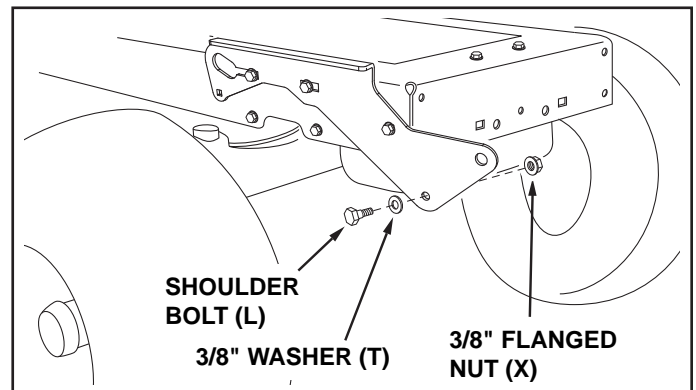


FIGURE 24 RIGHT SIDE VIEW

## INSTALLING HANGER BRACKETS

For better clearance, lower the tractor's suspension arms using the attachment lift lever.

### STEP 26: (SEE FIGURE 25 or 26)

#### On Tractors With Foot Rest Brackets

- Remove the bolt and nut that fasten the L.H. and R.H. foot rest brackets to the frame.
- Attach the L.H. Hanger Bracket (marked "L") to the inside of the tractor frame using two 3/8" x 1" carriage bolts (G) and 3/8" flanged nuts (X). Bolt heads go on inside of tractor frame. Repeat for the R.H. side.

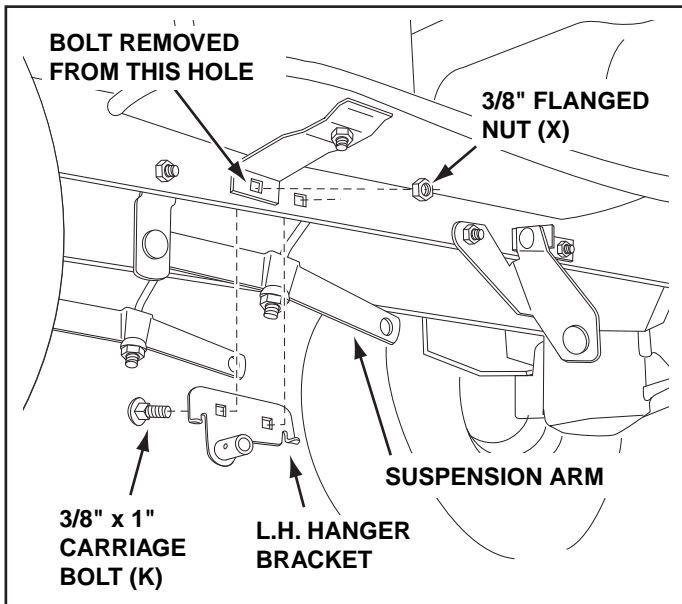


FIGURE 25 LEFT SIDE VIEW

#### On Tractors Without Foot Rest Brackets

- Find the empty hole beneath the foot rest. Attach the L.H. Hanger Bracket (marked "L") to the inside of the frame using a 3/8" x 1" carriage bolt (G) and a 3/8" flanged nut (X). Bolt head goes on inside of tractor frame. Repeat for the R.H. side.

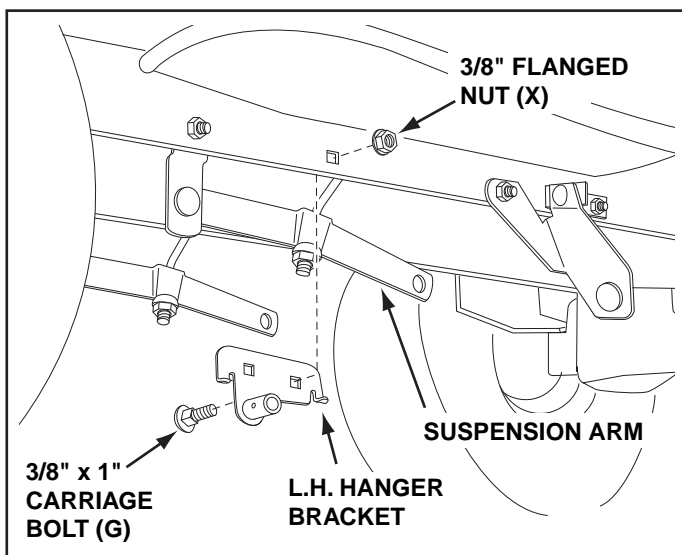


FIGURE 26 LEFT SIDE VIEW

## INSTALLING SHOULDER BOLTS

### STEP 27: (SEE FIGURE 27)

- Remove the bolt, washer and nut which fasten the sway bar bracket to the L.H. side of the tractor frame. Replace with a shoulder bolt (L) and a 3/8" flanged nut (X). Bolt goes on inside of frame.

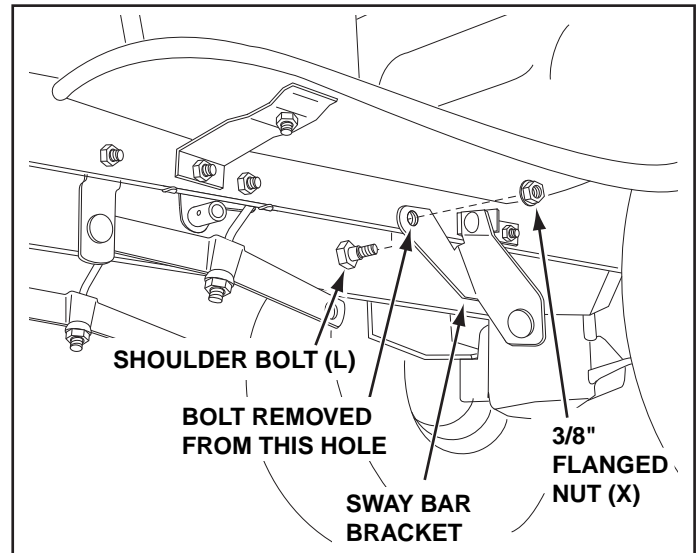


FIGURE 27 LEFT SIDE VIEW

### STEP 28: (SEE FIGURE 28)

- Assemble a shoulder bolt (L) and 3/8" flanged nut (X) to the R.H. side of the tractor frame, using the first empty hole to the rear of the R.H. hanger bracket. Bolt goes on inside of frame.

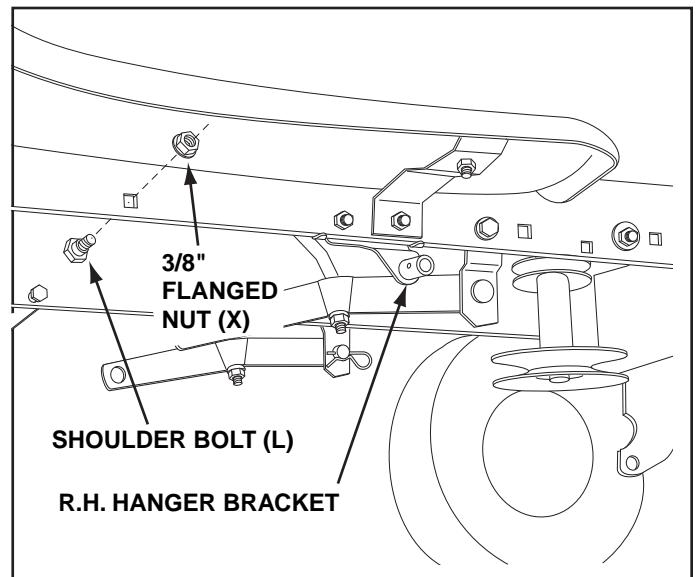


FIGURE 28 RIGHT SIDE VIEW

## INSTALLING CLUTCH/IDLER ASSEMBLY

This section covers the installation of the Clutch/Idler assembly to tractors with attachment clutches that are either rod operated (p. 16), cable operated (p. 19) or electric (p. 20). Use the appropriate instructions for your tractor.

### ROD OPERATED MANUAL ATTACHMENT CLUTCH

#### STEP 29: (SEE FIGURE 29)

- Move the attachment clutch lever on the dash panel to the disengaged (down) position.
- Screw the trunnion (CC) onto the end of the snow thrower engagement rod.
- Locate the clutch arm (where the mower clutch rod was connected) underneath the right hand side the tractor, just to the inside of the suspension arm. **If there is an extension** attached to the clutch lever, the extension, bolt and nut must be removed and stored with the mower deck.

**IMPORTANT:** Re-attach the extension to the clutch lever before reinstalling the mower deck.

- Position the engagement rod to the inside of the clutch arm and insert the drilled end of the rod through the arm. Secure with a 5/64" hairpin cotter (DD).

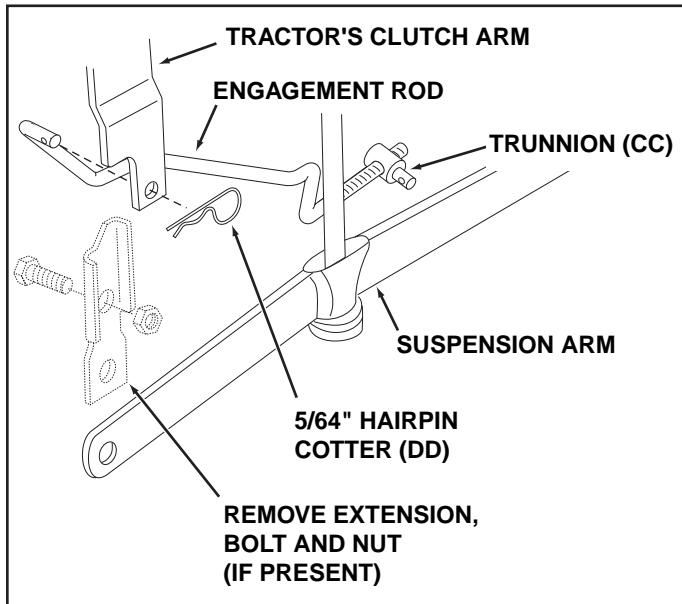


FIGURE 29

RIGHT SIDE VIEW

#### STEP 30: (SEE FIGURE 30)

- Attach the two suspension arms to the inside of the clutch/idler assembly using two 5/16" x 3/4" hex bolts (C), 5/16" washers (Q) and 5/16" nylock nuts (Y) for each arm. Place the washers between the arms and the assembly frame.
- Insert a tensioning chain through the hole shown and attach the end link to the spring on the lower idler arm.

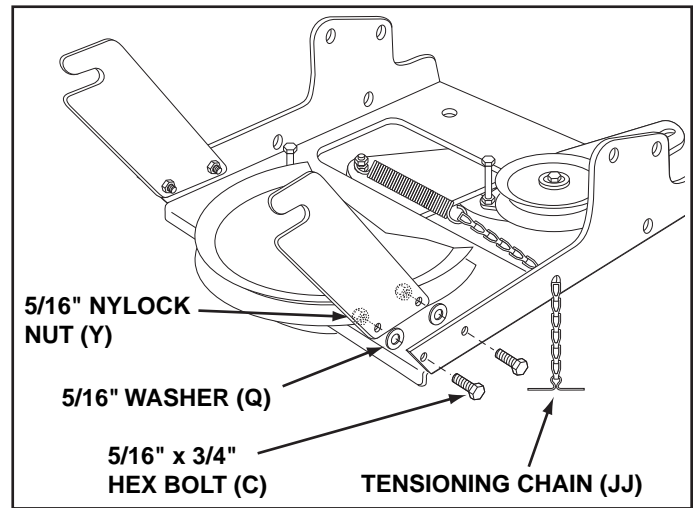


FIGURE 30

#### STEP 31: (SEE FIGURE 31)

- Two different length drive belts are included with your snow thrower. Tractors with manual attachment clutches and dual front deck suspension brackets use the 55" drive belt with #46989 printed on the outside of the belt. **DO NOT USE** the other belt.
- Slightly loosen the hex bolt next to the flat idler pulley. Install the drive belt down between the hex bolt and the flat idler pulley with the flat side of the belt against the pulley. Retighten the hex bolt.
- Loop the belt around the large v-pulley, placing it between the v-pulley and the hex bolt next to the pulley.

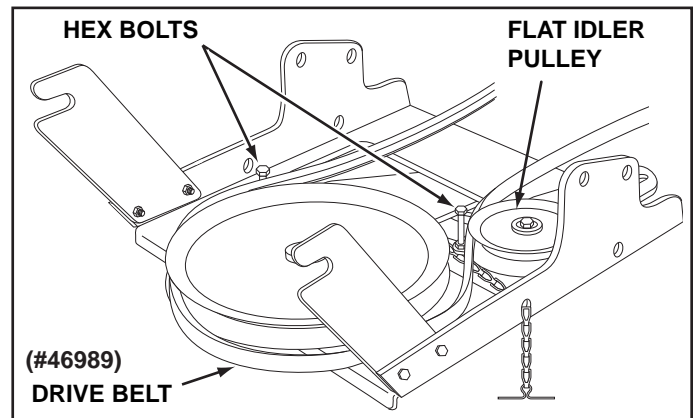


FIGURE 31

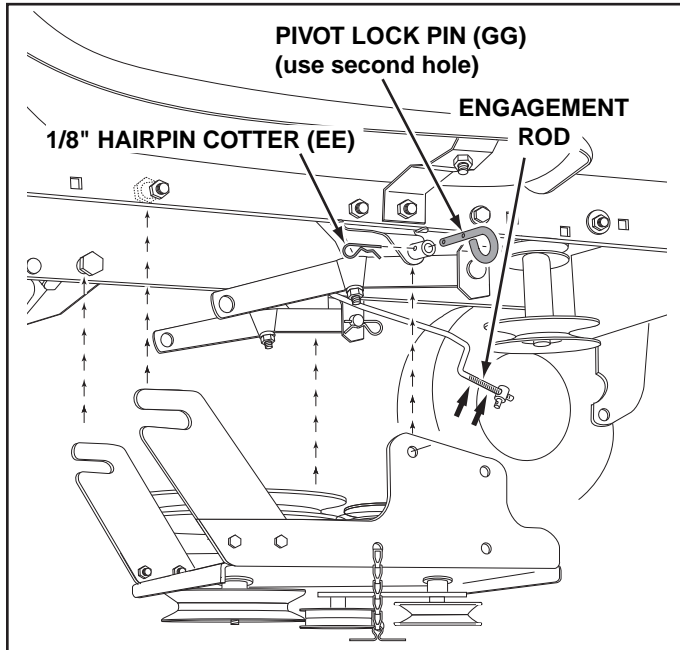


Did you choose the correct drive belt for your tractor? Using the wrong length belt may cause premature bearing or belt failure.



**STEP 32: (SEE FIGURE 32)**

- Be sure to lift up the front end of the engagement rod as shown when performing the next operation. You can temporarily support the rod using a rubber band tied to the engine pulley keeper.
- Attach the clutch/idler assembly to the tractor frame as follows. Hook the assembly's notched arms onto the two shoulder bolts you assembled to the inside of the tractor frame. Lift the front of the assembly and attach it to the R.H. and L.H. hanger brackets using two pivot lock pins (GG) and 1/8" hairpin cotters (EE).

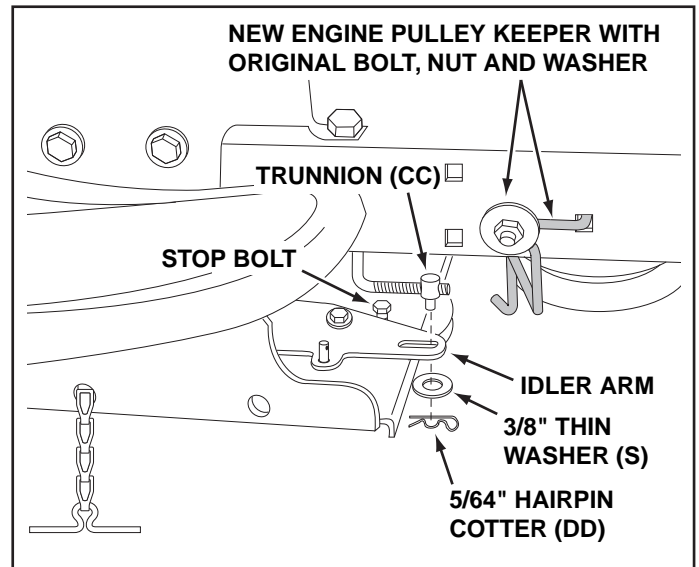


**FIGURE 32** **RIGHT SIDE VIEW**

**STEP 33: (SEE FIGURE 33)**

- Make sure the attachment clutch lever on the dash panel is in the disengaged (down) position.
- Pivot the upper idler arm so that it rests against the stop bolt and is pointing toward the front as shown. Screw the trunnion (CC) along the threads of the engagement rod until it is aligned at the front end of the idler arm slot. Attach the trunnion (CC) to the slot using the 3/8" thin washer (S) and a 5/64" hairpin cotter (DD).
- Remove the engine pulley keeper from the side of the tractor frame by removing the washer and nut that secure the keeper. Attach the new pulley keeper supplied with the snow thrower, reusing the original bolt, washer and nut.

**NOTE:** Some tractors may already be equipped with a pulley keeper that is identical to the new one supplied.



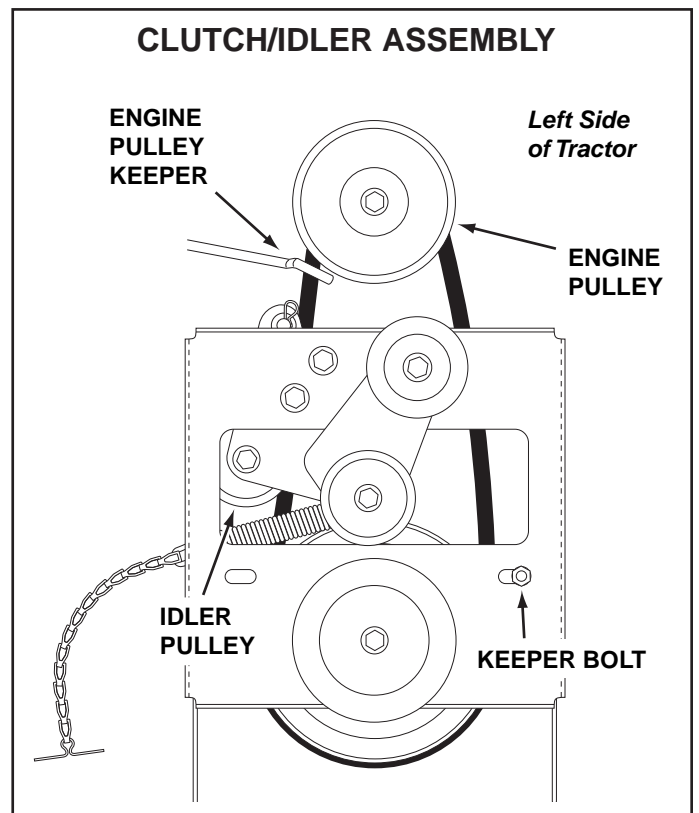
**FIGURE 33** **RIGHT SIDE VIEW**

**STEP 34: (SEE FIGURE 34)**

- Assemble the short "V" belt onto the engine pulley and then onto the large pulley on top of the clutch/idler assembly. The belt must be placed to the inside of the engine pulley keeper, the idler pulley and the keeper bolt located beside the large pulley.

**IMPORTANT:** Do Not assemble the "V" belt around the outside of the engine pulley keeper or the keeper bolt.

- Go to step 48 on page 22.



**FIGURE 34** **VIEWED FROM UNDERNEATH**

## CABLE OPERATED MANUAL ATTACHMENT CLUTCH

### STEP 35: (SEE FIGURE 35)

- Attach the two suspension arms to the rear of the clutch/idler assembly using two 5/16" x 3/4" hex bolts (C), 5/16" washer (Q) and 5/16" nylock nuts (Y) for each arm. Place the arms on the outside of the frame with the notches to the rear.
- Insert a tensioning chain through the hole shown and attach the end link to the spring on the lower idler arm.

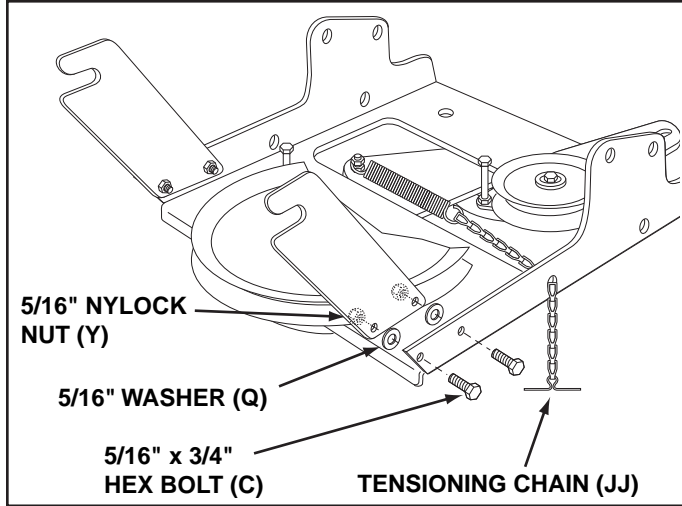


FIGURE 35

### STEP 36: (SEE FIGURE 36)

- Assemble the cable bracket to the clutch/idler assembly using two 5/16" x 3/4" carriage bolts (K) and 5/16" nylock nuts (Y). Use the two front holes in the cable bracket if your tractor has a 42" mower deck. Use the two rear holes if your tractor has a 46" mower deck.

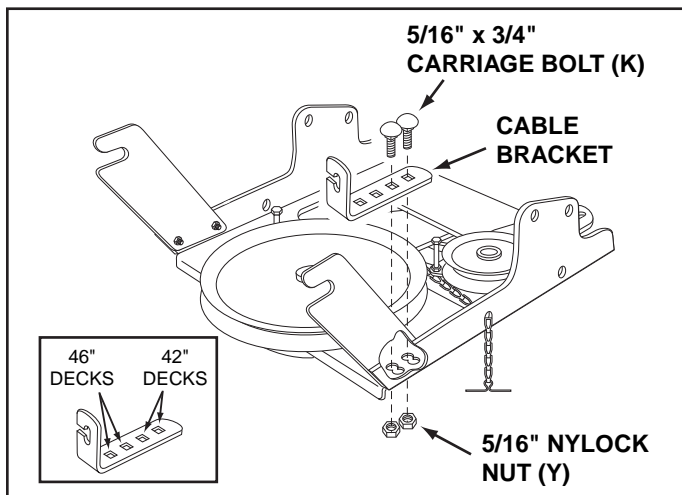


FIGURE 36

### STEP 37: (SEE FIGURE 37)

- Two different length drive belts are included with your snow thrower. Tractors with manual attachment clutches and dual front deck suspension brackets use the 55" drive belt with #46989 printed on the outside of the belt. **DO NOT USE** the other belt.

- Slightly loosen the hex bolt next to the flat idler pulley. Install the drive belt down between the hex bolt and the flat idler pulley with the flat side of the belt against the pulley. Retighten the hex bolt.
- Loop the belt around the large v-pulley, placing it between the v-pulley and the hex bolt next to the pulley.

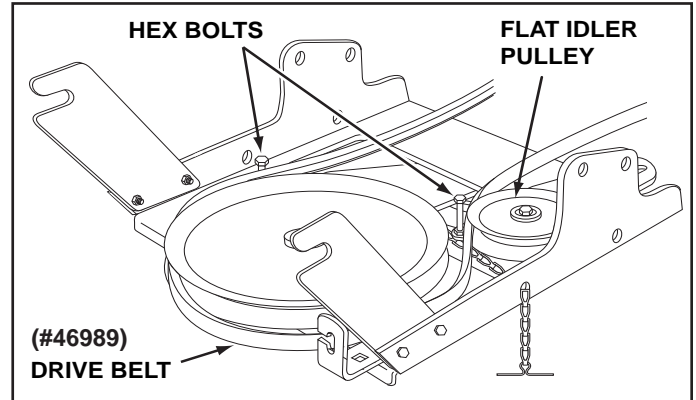


FIGURE 37



Did you choose the correct drive belt for your tractor? Using the wrong length belt may cause premature bearing or belt failure.

### STEP 38: (SEE FIGURE 38)

- Move the attachment clutch lever on the dash panel to the disengaged (down) position.
- Place the clutch/idler assembly on the floor on the right side of the tractor.
- Attach the tractor's clutch cable to the cable bracket. Secure the cable housing guide (groove down) to the cable bracket using the original collar and a 5/64" hair cotter pin (DD).
- Place a spacer (LL) on the welded pin on the idler arm. Hook the end of the clutch spring over the pin and secure it with a 1/4" washer (P) and a 5/64" hair cotter pin (DD).

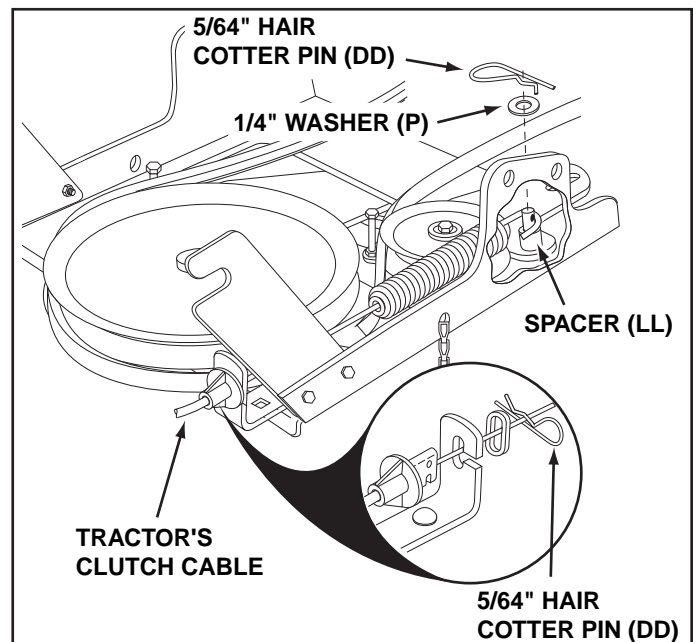


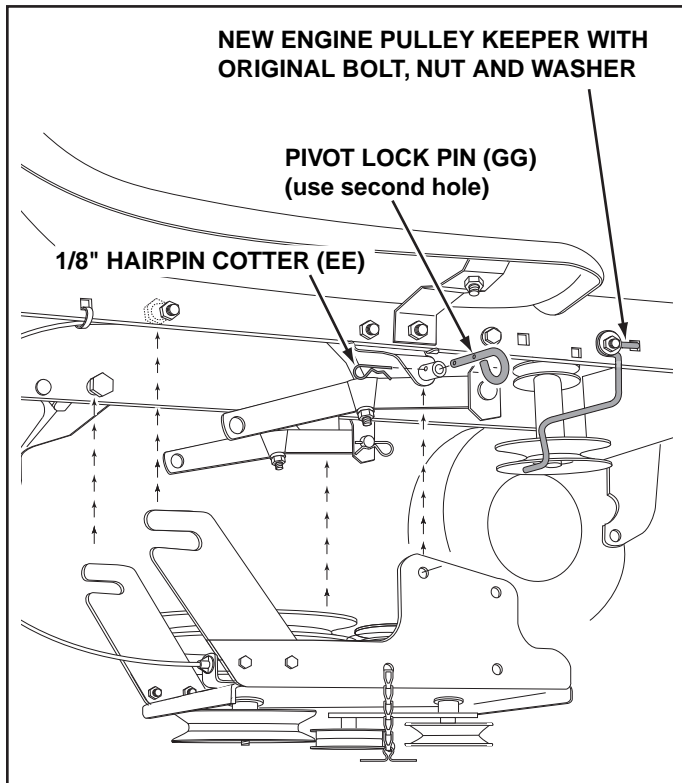
FIGURE 38

**STEP 39: (SEE FIGURE 39)**

- Remove the engine pulley keeper from the side of the tractor frame by removing the washer and nut that secure the keeper. Attach the new pulley keeper supplied with the snow thrower, reusing the original bolt, washer and nut.

**NOTE:** Some tractors may already be equipped with a pulley keeper that is identical to the new one supplied.

- Attach the clutch/idler assembly to the tractor frame as follows. Hook the assembly's notched arms onto the two shoulder bolts you assembled to the inside of the tractor frame. Lift the front of the assembly and attach it to the R.H. and L.H. hanger brackets using two pivot lock pins (GG) and 1/8" hairpin cotters (EE).



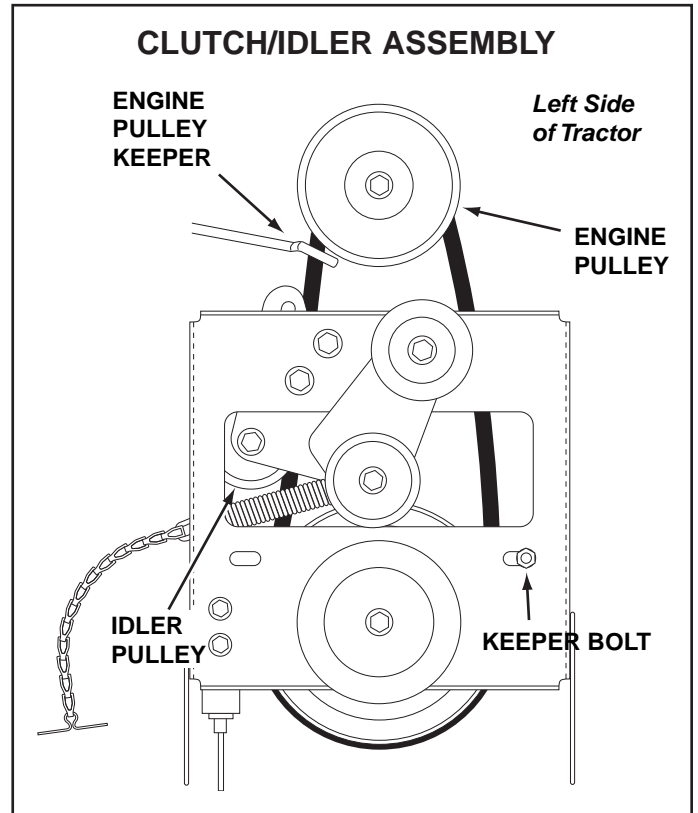
**FIGURE 39**

**STEP 40: (SEE FIGURE 40)**

- Assemble the short "V" belt onto the engine pulley and then onto the large pulley on top of the clutch/idler assembly. The belt must be placed to the inside of the engine pulley keeper, the idler pulley and the keeper bolt located beside the large pulley.

**IMPORTANT:** Do Not assemble the "V" belt around the outside of the engine pulley keeper or the keeper bolt.

- Go to step 48 on page 22.



**FIGURE 40**

**VIEWED FROM UNDERNEATH**

## ELECTRIC ATTACHMENT CLUTCHES

### STEP 41: (SEE FIGURE 41)

- Attach the two suspension arms to the rear of the clutch/idler assembly using two 5/16" x 3/4" hex bolts (C), 5/16" washer (Q) and 5/16" nylock nuts (Y) for each arm. Place the arms on the outside of the frame with the notches to the rear.
- Insert a tensioning chain through the hole shown and attach the end link to the spring on the lower idler arm.

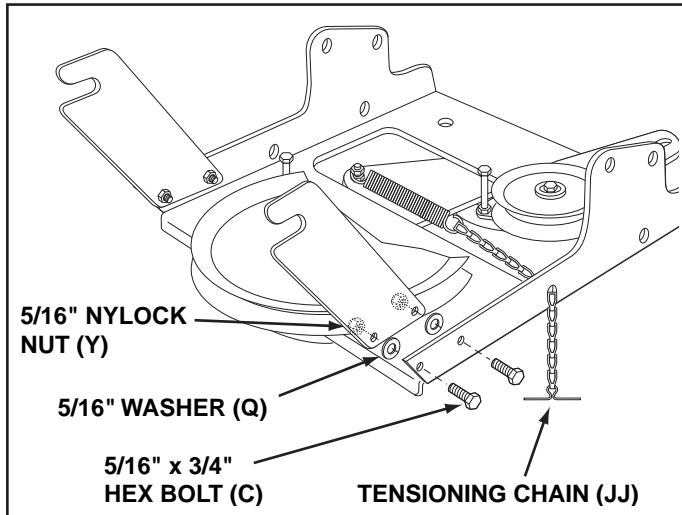


FIGURE 41

### STEP 42: (SEE FIGURE 42)

- Place the extra tensioning chain (JJ) through the left front hole in the clutch/idler assembly and then turn the assembly upside down.

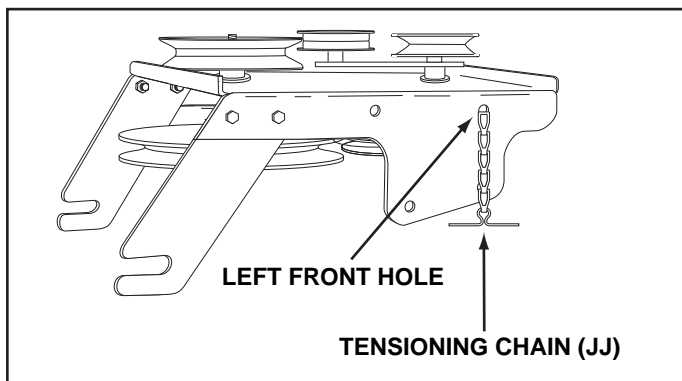


FIGURE 42

### STEP 43: (SEE FIGURE 43)

- Hook the spring from the parts bag through the end of the tensioning chain.
- Hook the other end of the spring onto the bottom of the bolt and nut which secure the idler pulley to the upper idler arm. Hold the bolt head and assemble a 3/8" hex lock nut (Z) onto the bolt, leaving enough space for the spring to pivot freely between the two nuts.
- Attach a 3/32" hairpin cotter (FF) to the chain, placing it in the fifth link from the spring.

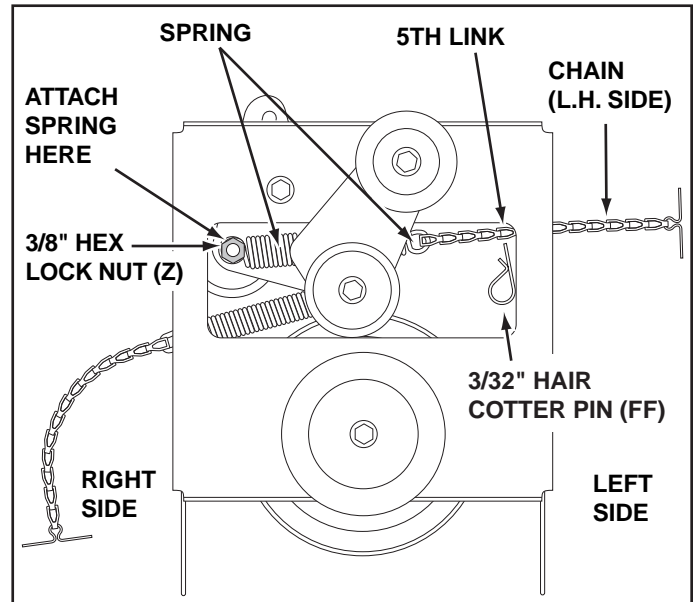


FIGURE 43

VIEW OF BOTTOM

### STEP 44: (SEE TABLE 2)

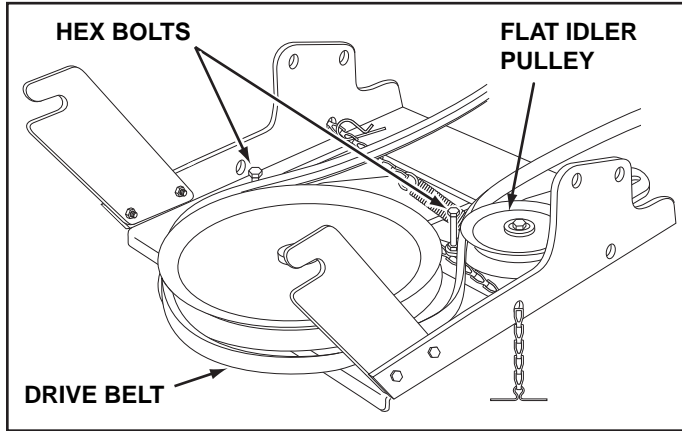
- Two different length drive belts are included with your snow thrower. Use the table below to select the correct drive belt for your type tractor. The part number is printed on the outside of the belt .
- Set aside the belt that is not for your tractor to avoid accidentally using it.

55" BELT (PART #46989)		
TRACTOR TYPE	DECK SIZE	CLUTCH TYPE
(LT) Lawn Tractor	38", 42", 46"	Electric
56" BELT (PART #48138)		
TRACTOR TYPE	DECK SIZE	CLUTCH TYPE
(LT) Lawn Tractor	48"	Electric

TABLE 2

**STEP 45: (SEE FIGURE 44)**

- Turn the clutch/idler assembly right side up.
- Slightly loosen the hex bolt next to the flat idler pulley. Install the drive belt down between the hex bolt and the flat idler pulley with the flat side of the belt against the pulley. Retighten the hex bolt.
- Loop the belt around the large v-pulley, placing it between the v-pulley and the hex bolt next to the pulley. Place the belt to the inside of the other flat idler pulley.

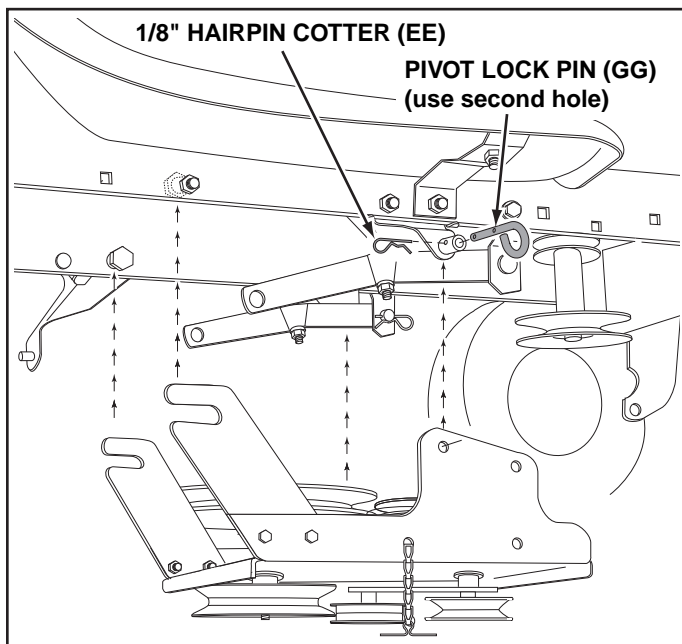


**FIGURE 44**

**STOP** Did you choose the correct drive belt for your tractor? Using the wrong length belt may cause premature bearing or belt failure.

**STEP 46: (SEE FIGURE 45)**

- Attach the clutch/idler assembly to the tractor frame as follows. Hook the assembly's notched arms onto the two shoulder bolts you assembled to the inside of the tractor frame. Lift the front of the assembly and attach it to the R.H. and L.H. hanger brackets using two pivot lock pins (GG) and 1/8" hairpin cotters (EE).



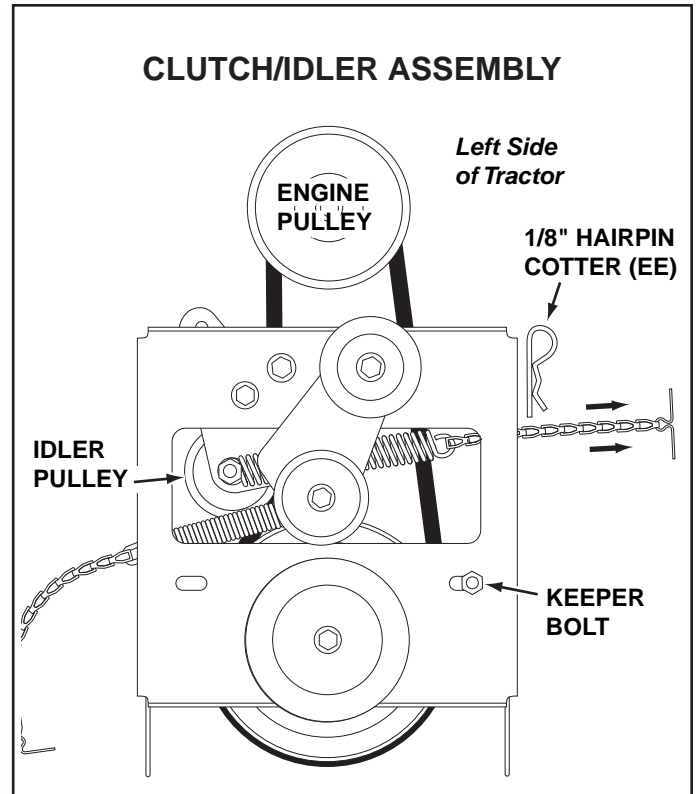
**FIGURE 45**

**RIGHT SIDE VIEW**

**STEP 47: (SEE FIGURE 46)**

- Assemble the drive belt onto the engine pulley and then onto the large pulley on top of the clutch/idler assembly. The belt must be placed to the inside of the idler pulley and the keeper bolt located beside the large pulley.
- Place tension on the belt by pulling the left side tensioning chain out as far as the 3/32" hairpin cotter (FF) will allow. Secure the chain in this position by inserting a 1/8" hairpin cotter (EE) through the chain.

**IMPORTANT: Do Not** assemble the "V" belt around the outside of the engine pulley keeper or the keeper bolt.



**FIGURE 46**

**VIEWED FROM UNDERNEATH**

## ASSEMBLY OF THE SNOW THROWER

### STEP 48: (SEE FIGURE 47)

- Place the lift handle into the lift bracket on the right side of the snow thrower. Fasten the handle to the bracket using two 5/16" x 1-3/4" hex bolts (B) and 5/16" Nylock nuts (Y).

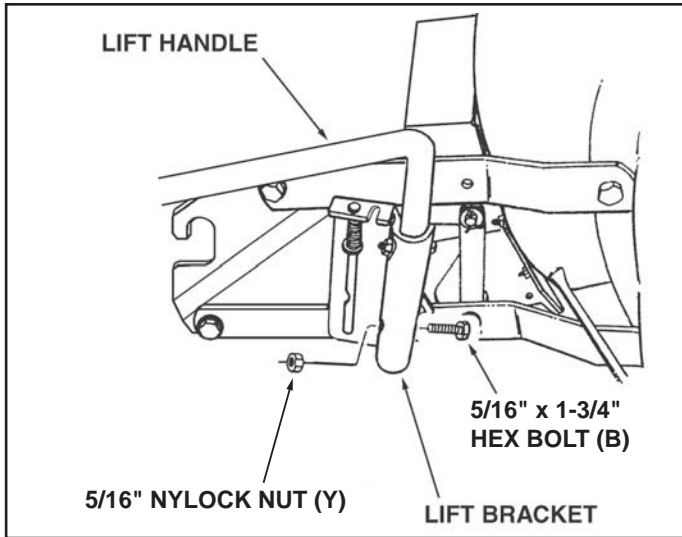


FIGURE 47 RIGHT SIDE VIEW

**NOTE:** Be sure the lift release cable's plastic covering stays inserted into the trigger assembly for the next step.

### STEP 49: (SEE FIGURE 48)

- Push the lift handle down into the locked position. Insert the end of the cable wire into the hole in the lift rod. Place the threaded fitting into the slot in the lift bracket, with one hex nut above and one hex nut and the lock washer below the slot. Tighten the nuts, adjusting them to eliminate slack in the cable wire. Refer also to the Service and Adjustments section on page 28 in this manual.

**HINT:** For easier assembly of the lift release cable, tilt the snow thrower forward onto the spiral auger.

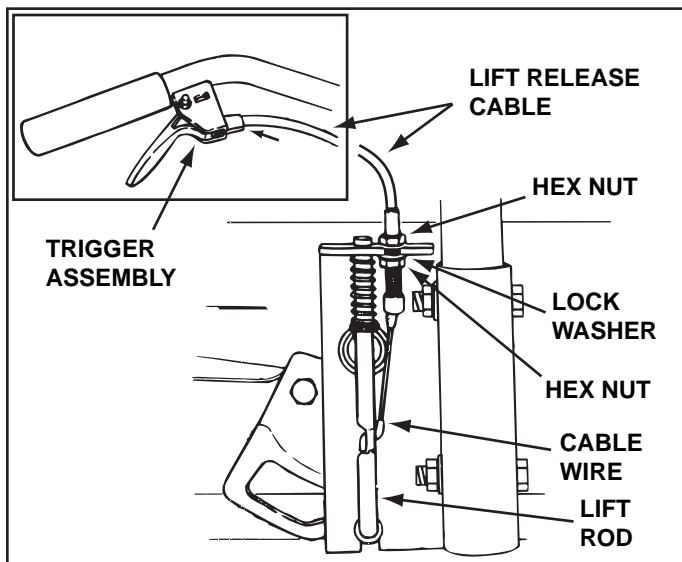


FIGURE 48 RIGHT SIDE VIEW

### STEP 50: (SEE FIGURE 49)

- Tilt the snow thrower back down to the ground.
- Remove the nylon tie which fastens the auger drive belt to the discharge housing, leaving the belt assembled around the pulleys.
- Remove the nylon tie which fastens the chute crank rod to the crank rod support tube.
- Assemble the crank rod support tube to the bracket on the left side of the discharge housing using two 5/16" x 1-1/4" carriage bolts (I), and 5/16" Nylock nuts (Y).

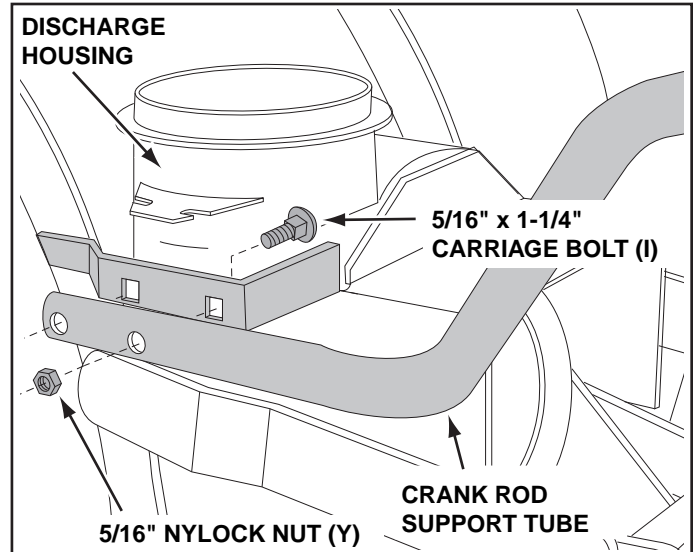


FIGURE 49 LEFT SIDE VIEW

### STEP 51: (SEE FIGURE 50)

- Attach the chute tilt control assembly to the top side of the crank support tube using two 5/16" x 1-3/4" carriage bolts (H), bowed washers (U) and 5/16" Nylock nuts (Y).

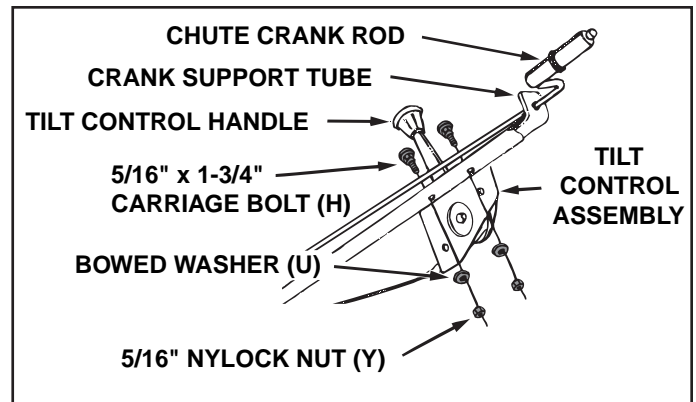


FIGURE 50 LEFT SIDE VIEW

### STEP 52: (SEE FIGURE 51)

- Attach the chute crank rod assembly brackets to the plastic bracket on the left side of the discharge housing. Align the chute crank bracket beneath the rod support bracket and assemble both to the plastic bracket using two 5/16" x 1" carriage bolts (J), 5/16" washers (Q) and 5/16" Nylock nuts (Y). **Do not tighten yet.**

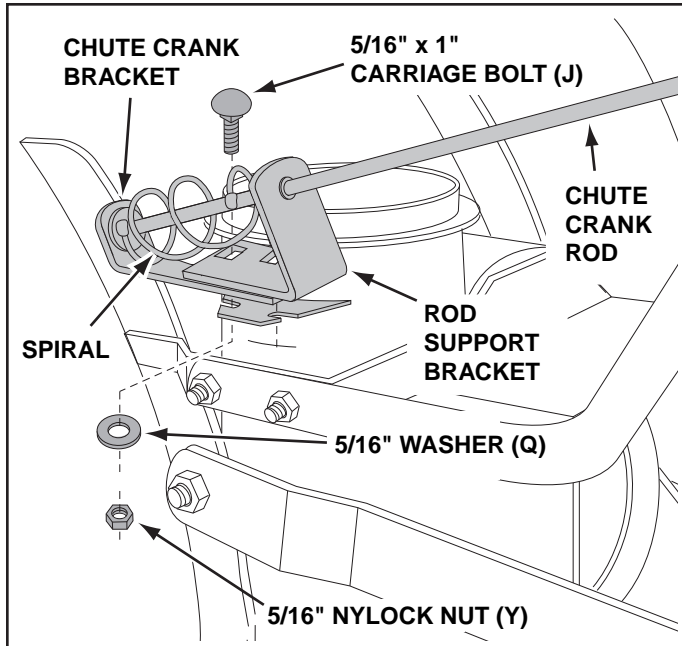


FIGURE 51

LEFT SIDE VIEW

### STEP 53: (SEE FIGURE 52)

- Coat the top of the ring around the discharge opening with general purpose grease.
- Place the discharge chute (facing forward) onto the ring. Place the anti-rotation bracket on top of the chute flange, aligning it with the holes on the right hand side of the flange. Attach the three chute keepers (BB) (right side up as shown) to the bottom of the flange using six 1/4" x 1" hex bolts (D), 1/4" flat washers (P) and 1/4" flanged lock nuts (V). **Tighten carefully** so that the nuts are snug but do not dig into the plastic chute keepers.
- Place the plastic cap (HH) onto the short end of the anti-rotation bracket.
- Position the crank rod spiral (see figure 51) so that it does not rub against the bottoms of the notches in the chute flange. **Tighten** the nuts.
- Check if the crank rod rotates the chute freely. If not, loosen by 1/4 turn each of the six hex bolts holding the chute keepers to the chute flange.
- Secure the control cables to the crank rod support tube using a nylon tie (II).

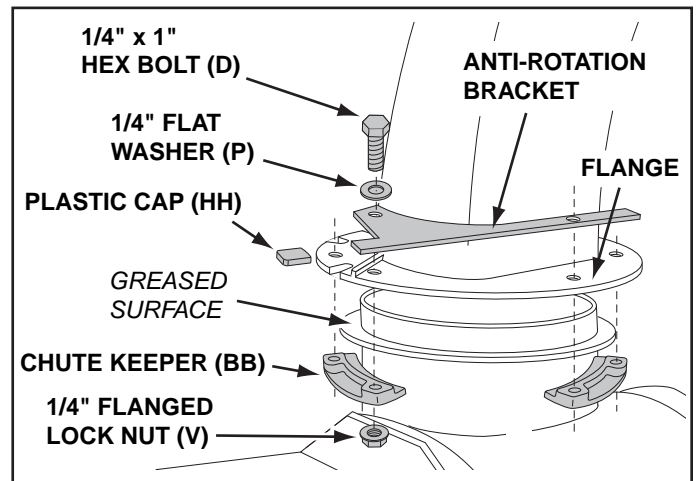


FIGURE 52

RIGHT SIDE VIEW

### STEP 54: (SEE FIGURE 53)

**Skip this step if you have a lawn tractor.**

**This step is for garden tractors only.**

- If you have a (GT) Garden Tractor, remove the stop bolts from each side of the snow thrower frame.

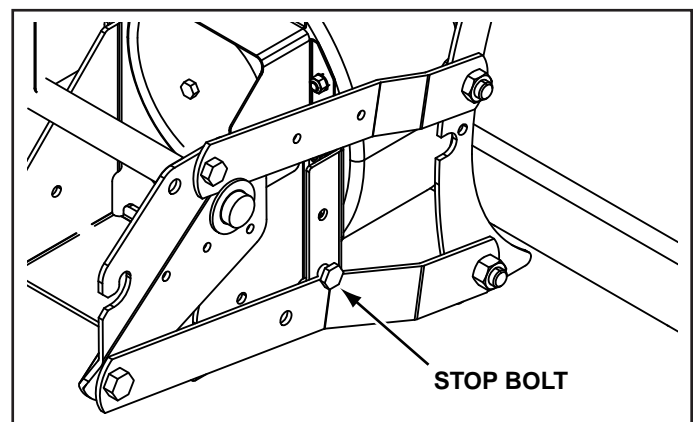


FIGURE 53

RIGHT SIDE VIEW

## ATTACHING SNOW THROWER TO TRACTOR

**NOTE:** An additional person's help may be required to mount the snow thrower to the front of the tractor.

### STEP 55: (SEE FIGURE 54)

- Place the tractor and snow thrower on a flat, level surface so that the tractor can be rolled forward to attach the snow thrower.
- Remove the Attachment Pin from the snow thrower.
- Extend the auger belt out behind the snow thrower, making sure the belt is still looped over the top of the large drive pulley and underneath the two idler pulleys. The "V" side of the belt must be seated in the grooves of all three pulleys.
- Roll the tractor up behind the snow thrower, centering it between the snow thrower's mounting plates.
- Raise the rear of the snow thrower by lifting up on the lift handle until the notches in the mounting plates align with the shoulder bolts in the tractor's side plates. Guide the bolts into the notches.
- To ease the assembly of the auger drive belt, delay the installation of the attachment pin until you have assembled the belt as instructed in steps 56 and 57.

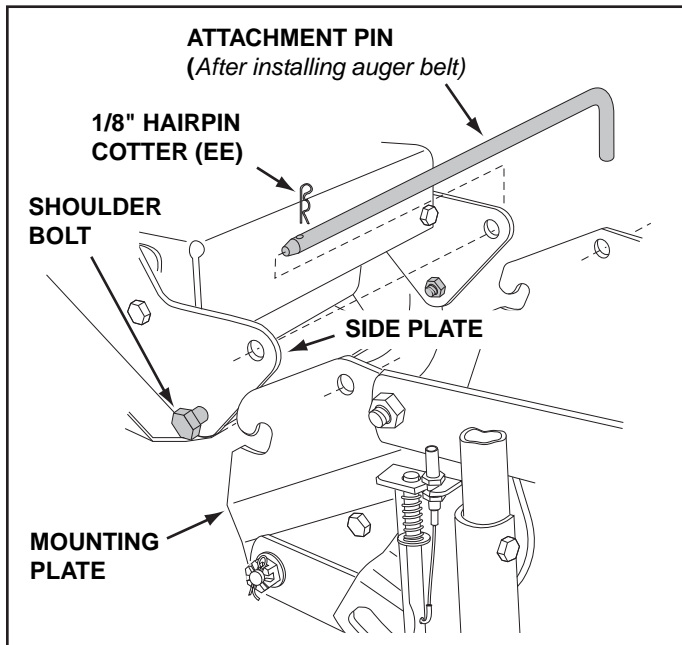


FIGURE 54

RIGHT SIDE VIEW

## BEFORE INSTALLING THE AUGER BELT

### STEP 56: (SEE FIGURE 55)

- The auger belt comes preassembled to the pulleys on the snow thrower housing. Make sure the belt passes over the top of the auger pulley and then twists 1/4 turn to pass underneath each side idler pulley. The "V" side of the belt must mate with the grooves of the pulleys.

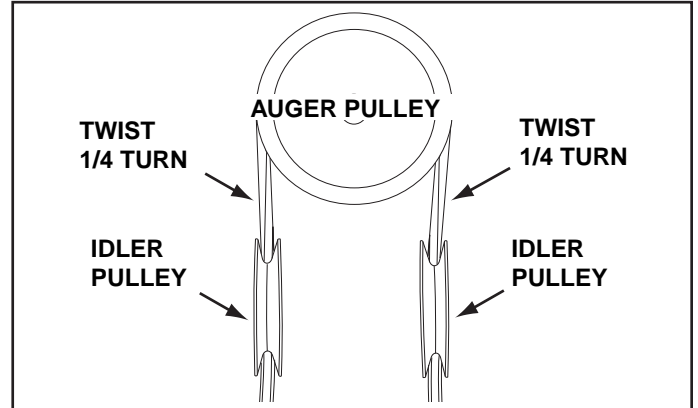


FIGURE 55

## INSTALLING THE AUGER BELT

### STEP 57: (SEE FIGURE 56)

- Push the lift handle down to increase slack in the belt (attachment pin must first be removed).
- Swing the idler arm over to the left side.
- Place the auger belt around the rear pulley and between the two pulleys on the idler arm. The "V" side of the belt must be seated in the grooves of the v-pulleys.

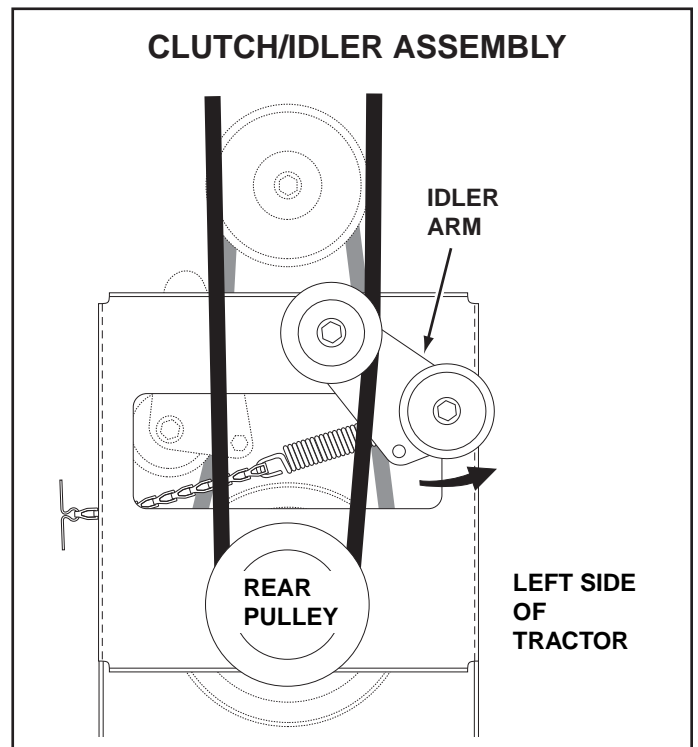


FIGURE 56

VIEWED FROM UNDERNEATH



## INSTALLING THE ATTACHMENT PIN

### STEP 58: (REFER BACK TO FIGURE 54 ON PAGE 24)

- Lift the front of the snow blower to align the holes in the mounting plates and the side plates. From the left side of the tractor insert the attachment pin through the holes. Secure it with by reinstalling the 1/8" hairpin cotter (EE).

## SETTING THE AUGER BELT TENSION

### STEP 59: (SEE FIGURE 57)

- Pull the tensioning chain until the end of the spring is pulled through the hole in the side of the Clutch/Idler assembly. Install a 1/8" hairpin cotter (EE) through the end of the spring, securing it on the outside of the Clutch/Idler assembly.

**IMPORTANT:** For correct belt tension, the 1/8" hairpin cotter must attach to the end of the spring, not to the chain.

**NOTE;** To prevent the chain from dragging on the ground, loop the end of the chain through the pivot lock pin. Refer to figure 45 on page 21.

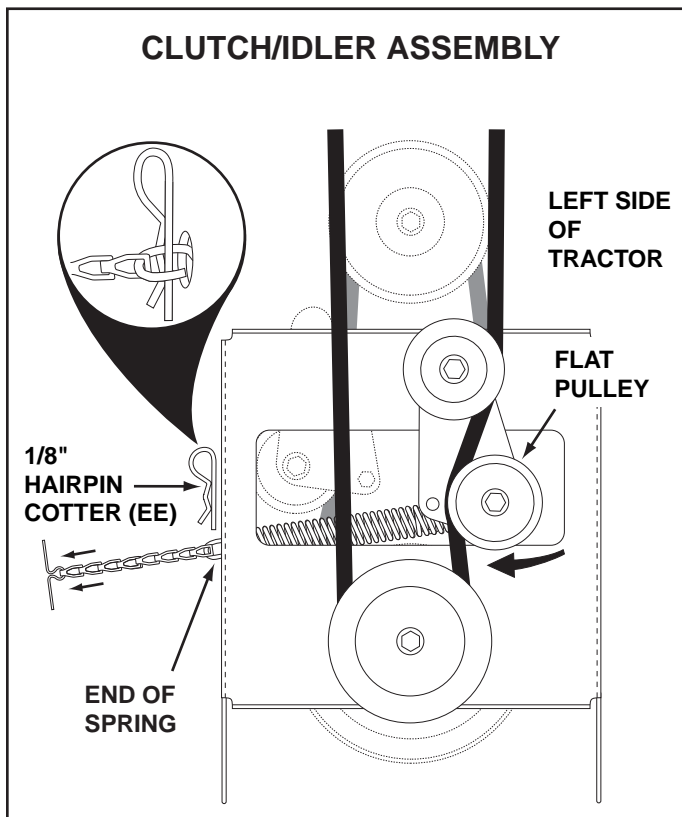


FIGURE 57

VIEWED FROM UNDERNEATH

## ATTACH REFLECTORS TO REAR FENDER

### STEP 59: (SEE FIGURE 58)

- If your tractor is not equipped with rear reflectors, assemble the supplied rear reflectors (KK) to the rear fender. Place the reflectors as close to the bottom of the fender and as far apart as the shape of the fender will allow.

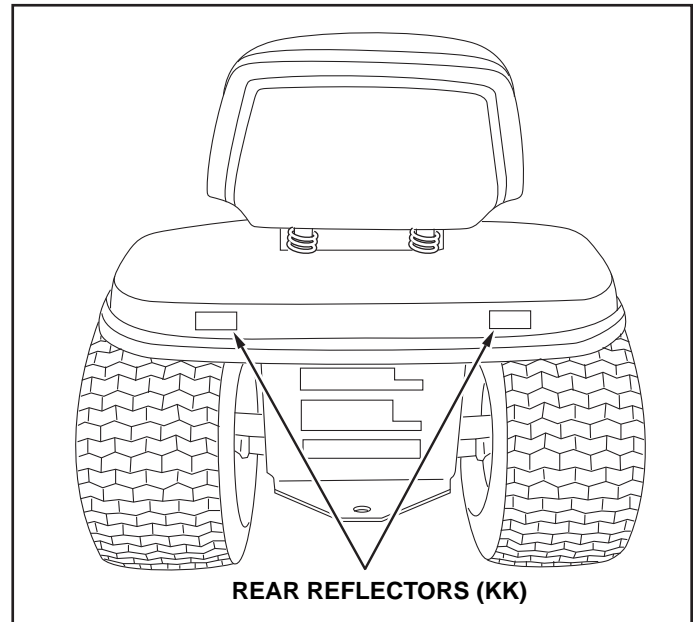


FIGURE 58

## CHECKLIST

**Before you operate your snow thrower, please review the following checklist to help ensure that you will obtain the best performance from your snow thrower.**

1. All assembly instructions have been completed with all bolts and nuts properly tightened.
2. Check the engine belt and the auger belt. Make sure they are routed properly around pulleys and inside all belt keepers.
3. Check discharge chute for proper rotation.
4. Check operation of tilt control for upper chute.
5. Verify that the lift handle will lock into and release from the raised transport position. (Refer to the Service and Adjustments section.)
6. Check skid shoe adjustment. (Refer to the Service and Adjustments section.)

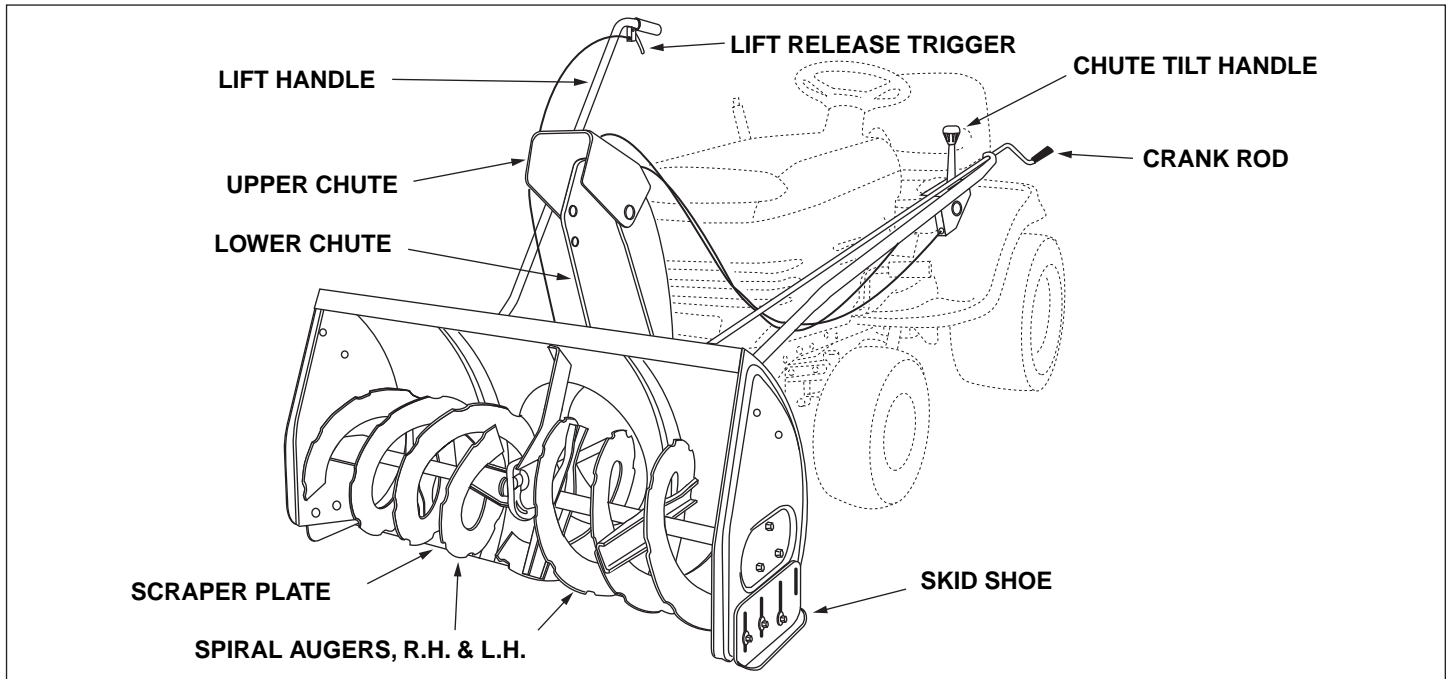
**Operating instructions begin on page 26.**

# OPERATION

## KNOW YOUR SNOW THROWER

Read this owner's manual and safety rules before operating your snow thrower.

Compare the illustration below with your snow thrower to familiarize yourself with the various controls and their locations.



**CHUTE TILT HANDLE** Pivots the Upper Chute up or down to control the angle and distance of discharge.

**CRANK ROD** Rotates the Lower and Upper Chutes to control the direction of discharge.

**LIFT HANDLE** Used to lift or lower the snow thrower to transport or operating position.

**LIFT RELEASE TRIGGER** Releases the lock which holds the snow thrower in the transport position

**UPPER AND LOWER DISCHARGE CHUTE** Controls direction and height of snow discharge.

**SCRAPER PLATE** Replaceable plate that absorbs wear and impact from contact with ground.

**SKID SHOE** Controls amount of clearance between the scraper plate and the ground.

**SPIRAL AUGER, R.H. & L.H.** Feed snow to the impeller fan at the center of the housing.

## BEFORE STARTING

- Use the end of assembly checklist to verify that all instructions have been properly completed.
- Make sure the skid shoes are adjusted to maintain adequate ground clearance between the snow thrower and the type of surface to be cleared. (Refer to the Service and Adjustments section.)
- Make sure the tractor engine has the correct oil for winter operation (SAE 5W-30). Refer to tractor owner's manual.

## HOW TO START YOUR SNOW THROWER

- The tractor should be sitting with the engine running at full throttle. Move the attachment clutch to the engaged position, starting the snow thrower before the tractor clutch is engaged.

## HOW TO STOP YOUR SNOW THROWER

- To stop the snow thrower, disengage the tractor's attachment clutch lever for manual clutches or the clutch switch for electric clutches. Refer to your tractor owner's manual.

## HOW TO USE YOUR SNOW THROWER



**CAUTION:** Never direct discharge towards bystanders or windows. Do not allow anyone in front of unit.

## CONTROLLING SNOW DISCHARGE

- To control the direction snow is thrown, the discharge chute has 180 degrees of rotation. Turn the crank rod clockwise to rotate the chute to the right. Turn the crank rod counterclockwise to rotate the chute to the left.
- To control the distance snow is thrown, the upper section of the discharge chute pivots up and down. Push forward on the chute tilt handle to pivot the chute down, decreasing the distance snow is thrown. Pull back on the handle to pivot the chute up, increasing the distance snow is thrown.

**RAISING AND LOWERING**

- To raise, push down on the lift handle until the snow thrower locks in the raised transport position.
- To lower, push down slightly on the lift handle and pull the trigger. With the trigger pulled, slowly lower the snow thrower until it reaches the ground.



**CAUTION:** Do not operate the snow thrower without the rear weight attached to the tractor to provide extra traction and stability.

**REMOVING SNOW**

Snow removal conditions vary greatly from light fluffy snowfall to wet heavy snow. Operating instructions must be flexible to fit the conditions encountered. The operator must adapt the lawn tractor and snow thrower to depth of snow, wind direction, temperature and surface conditions.

- Before beginning operation, thoroughly inspect the area of operation and remove all door mats, sleds, boards, wires and other foreign objects.
- The spiral auger speed is directly related to engine speed. For maximum snow removal and discharge, maintain high engine r.p.m. (full throttle). It is advisable to operate the lawn tractor at a slow ground speed (1st gear) for safe and efficient snow removal.
- In deep, drifted or banked snow it will be necessary to use full throttle and a slow ground speed (1st gear). Drive forward into the snow, depress the tractor's clutch-brake pedal and allow the spiral auger to clear the snow. Repeat this method until a path is cleared. On the second pass, overlap the first enough to allow the snow thrower to handle the snow without repeated stopping and starting of forward motion.

- In extremely deep snow, raise the snow thrower from the ground to remove the top layer and drive forward only until the tractor's front tires reach the uncleared bottom layer of snow. Depress the tractor's clutch-brake pedal and allow the spiral auger to clear the snow. Reverse the tractor and lower the snow thrower to the ground. Drive the tractor forward until the snow again becomes too deep. Repeating this process into and out of drifts will eventually clear even the deepest of snow piles.
- If the snow thrower becomes clogged with snow or jammed with a foreign object, disengage the snow thrower immediately and shut off the tractor engine. Unclog the snow thrower before resuming operation.



**DANGER:** Shut off engine and disengage snow thrower before unclogging discharge chute. Unclog using a wooden stick, not your hands.

**OPERATING TIPS**

- Discharge snow down wind whenever possible.
- To help prevent snow from sticking to the snow thrower, allow the snow thrower to reach outdoor temperature before using it. A light coat of wax may also be applied to the inside surface of the snow thrower housing and discharge chute.
- Use tire chains to improve traction.
- Use rear wheel weights to improve traction.
- Before the first snowfall, remove all stones, sticks and other objects which could become hidden by the snow. Permanent obstacles should be marked for visibility.
- Overlap each pass slightly to assure complete snow removal.

**MAINTENANCE**

**CUSTOMER RESPONSIBILITIES**

- Read and follow the maintenance schedule and the maintenance procedures listed in this section.

MAINTENANCE SCHEDULE Fill in dates as you complete regular service.	Service Dates											
	Before each use	After each use	Every season	Before storage								
Check for loose fasteners	X											
Check scraper and shoes for wear	X		X									
Cleaning			X									
Lubrication Section			X									

**LUBRICATION**

- Oil all pivot points on the snow thrower.
- Oil the pivot points of the two idler arms on the clutch/idler assembly.
- Apply penetrating oil to the control cables of the discharge chute.
- Apply a good grade of spray lubricant to the trigger assembly and the chute tilt control assembly.

**CHECK SCRAPER AND SHOES FOR WEAR  
(Refer to figures 59 and 60 on page 28)**

- The scraper plate and skid shoes on the bottom of the snow thrower are subject to wear. To prevent damage to the spiral auger housing, replace plate and shoes before wear is excessive.

# SERVICE AND ADJUSTMENTS



**CAUTION:** Before servicing or adjusting the snow thrower, shut off the engine, remove the spark plug wire(s), set the parking brake and remove the key from the tractor ignition.

## REPLACING AUGER BELT

- Disengage the tractor's attachment clutch.
- Lower the snow thrower to the ground.
- Remove the attachment pin.
- Lock the snow thrower's lift handle in the down position to decrease belt tension.
- Release the spring tension from the auger belt idler arm on the bottom of the clutch/idler assembly.
- Remove the auger drive belt from the clutch/idler assembly and from the spiral auger housing.
- Install new belt over top of large auger drive pulley and under the two side idler pulleys. Twist the belt 1/4 turn to seat the "V" of the belt in the groove of each idler pulley. Refer to figure 55 on page 24.
- Assemble the belt onto the clutch/idler assembly.

## SKID SHOE ADJUSTMENT

- The skid shoes are mounted on each side of the spiral auger housing. They regulate the distance the scraper plate is raised above the plowing surface. When removing snow from a gravel driveway or an uneven surface, it is advisable to keep the scraper plate as high above the surface as possible to prevent possible damage to the spiral auger. On blacktop or concrete surface, keep the scraper plate as close to the surface as possible.
- Raise the snow thrower off the ground and place a block under each end of the scraper plate. Loosen the six hex nuts securing the skid shoes to the housing. Adjust the skid shoes up or down and retighten the nuts securely. Adjust both skid shoes to the same height to keep the housing and the scraper plate level. See figure 59.

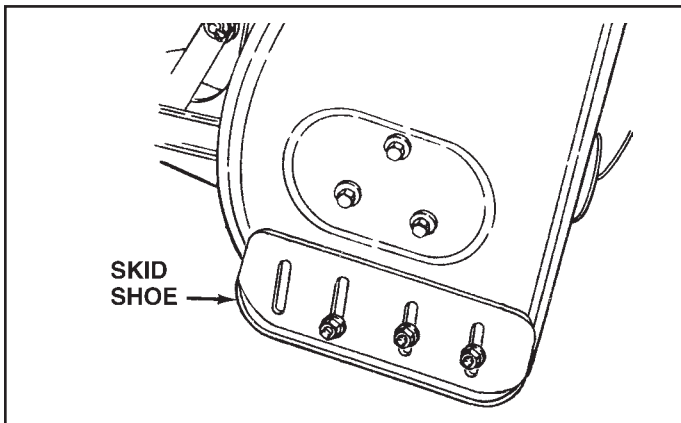


FIGURE 59

## LIFT RELEASE CABLE ADJUSTMENT

- If the lift rod does not lock the snow thrower securely in the transport position, loosen the upper hex nut on the lift bracket a few turns and tighten the lower hex nut. Refer to figure 48 on page 22.
- If the lift rod fails to unlock completely to lower the snow thrower, loosen the lower hex nut on the lift bracket a few turns and tighten the upper hex nut. Refer to figure 48 on page 22.

## CLUTCH DISENGAGEMENT ADJUSTMENT (For tractors with engagement rod clutches only. Not for electric clutches or cable clutches)

If the spiral auger on the snow thrower does not stop when the attachment clutch lever on the tractor is disengaged, then adjustment is necessary. Proceed as follows. Refer back to figure 33 on page 17.

- Place the attachment clutch lever in the disengaged position.
  - Remove the hairpin cotter from the engagement rod trunnion and lift the trunnion out of the hole in the idler arm.
  - Screw the trunnion a few turns towards the front end of the rod.
  - Replace the trunnion into the hole in the idler arm and secure it with the hairpin cotter.
- Check the operation of the snow thrower. If the spiral augers still do not stop, repeat the above steps until the augers stop when the attachment clutch lever is placed in the disengaged position.

## SPIRAL AUGERS

- The spiral augers are secured to the auger shaft with two shear bolts and nylock nuts. If you hit a foreign object or if ice jams the augers, the snow thrower is designed so that the bolts will shear.
- If the augers will not turn, check to see if the shear bolts have sheared. See figure 60. Two replacement shear bolts and nylock nuts have been provided with the snow thrower. For future use order part number 710-0890A shear bolt and number 47810 nylock nut.

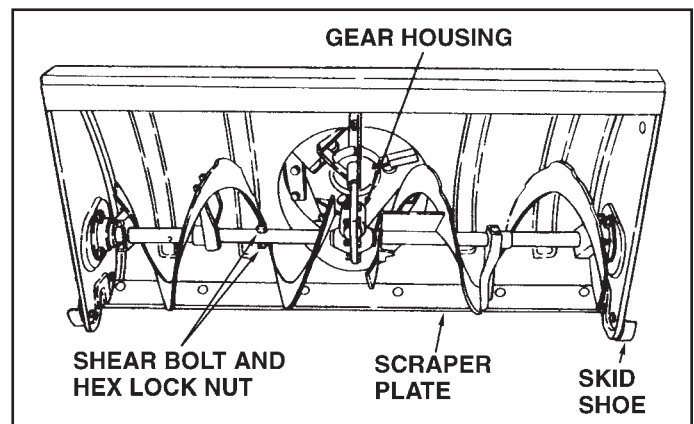


FIGURE 60

## STORAGE

### STORAGE RECOMMENDATIONS

- Lower the snow thrower to the ground.
- Remove the snow thrower from the tractor.
- Clean the snow thrower thoroughly. Wash off any salt deposit which may have dried on the thrower and housing.
- Any bare metal that has become exposed should be painted or coated with a light oil to prevent rust.
- Store in a dry place.

### REMOVING THE SPIRAL AUGER HOUSING

- Lower the snow thrower to the ground.
- Remove the attachment pin. See figure 54 on page 24.
- Lock the snow thrower's lift handle in the down position to decrease belt tension.
- Release the spring tension from the auger belt idler arm on the bottom of the clutch/idler assembly.
- Remove the auger drive belt from the clutch/idler assembly. See figure 56 on page 24.
- Pull the spiral auger housing assembly off of the tractor.

### PARTS TO REMOVE AT END OF SEASON

- Remove the clutch/idler assembly. (The two hanger brackets and the two shoulder bolts may be left attached to the tractor frame.)
- Remove the drive belt from the engine pulley.
- If you replaced the engine pulley keeper on a manual attachment clutch tractor, reinstall the tractor's original engine pulley keeper. See figure 33 on page 17 or figure 39 on page 19.
- If you have a rod operated attachment clutch, remove the engagement rod from the tractor's clutch arm. See figure 29 on page 16.
- If a rear mounted attachment is to be used, remove the rear weight tray, leaving the bolts that you installed in the sides of the tractor draw bar. Retighten the bolts.
- If a front mounted attachment is to be used, remove the side plates from the tractor. Be sure to assemble bolts back into the empty holes in the tractor frame.

## TROUBLESHOOTING

PROBLEM	CAUSE	CORRECTION
Spiral augers don't turn	<ol style="list-style-type: none"> <li>1. Upper or lower V belt too loose</li> <li>2. Upper or lower V belt broken</li> <li>3. Shear bolts are sheared.</li> </ol>	<ol style="list-style-type: none"> <li>1. Increase tension on V belt</li> <li>2. Replace V belt</li> <li>3. Replace shear bolts</li> </ol>
Clogged discharge chute	<ol style="list-style-type: none"> <li>1. Tractor ground speed too fast</li> <li>2. Tractor throttle set too low</li> <li>3. Snow too deep</li> <li>4. Snow melts during contact with the snow thrower</li> </ol>	<ol style="list-style-type: none"> <li>1. Use lower tractor gear</li> <li>2. Increase to full throttle</li> <li>3. Raise the snow thrower</li> <li>4. Allow snow thrower to cool to outdoor temperature before using</li> </ol>
Snow thrower stalls tractor engine	<ol style="list-style-type: none"> <li>1. Object jammed in spiral auger</li> <li>2. Hard or heavy snow</li> </ol>	<ol style="list-style-type: none"> <li>1. Stop engine, disengage the snow thrower clutch and clear the auger</li> <li>2. Increase to full throttle and decrease ground speed</li> </ol>
Front wheels slide instead of steering	Not enough traction at front wheels	<ol style="list-style-type: none"> <li>1. Increase scraper plate clearance by lowering skid shoes</li> <li>2. Pull down on lift handle to increase weight on front wheels</li> </ol>
Snow thrower rides up over snow	<ol style="list-style-type: none"> <li>1. Tractor ground speed too fast</li> <li>2. Bottom snow is icy or hard packed</li> </ol>	<ol style="list-style-type: none"> <li>1. Reduce ground speed</li> <li>2. Lower the skid shoes so that front of skid shoe is lower than the rear</li> </ol>



## SEGURIDAD



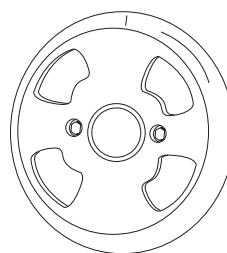
Todo equipo mecanizado o motorizado puede causar daños si se maneja inadecuadamente o si el usuario no conoce el funcionamiento del equipo. Extreme la precaución durante el manejo de equipo mecanizado.

- Lea detenidamente este manual del usuario y aprenda el funcionamiento del soplador de nieve, cómo detener la unidad y desconectar los controles con rapidez.
- Nunca permita a un menor manejar el equipo.
- Nunca permita a un adulto manejar el equipo sin antes haberle informado de su funcionamiento.
- Mantenga a niños y animales alejados del área de funcionamiento del equipo.
- Examine a conciencia el área sobre la cual funcionará el equipo y quite las esterillas, trineos, tableros, cables y otros objetos.
- Desacople todos los embragues y cambie a la posición neutral antes de poner en marcha el motor.
- No ponga en funcionamiento el equipo sin llevar las prendas de invierno adecuadas.
- Utilice un calzado adecuado que le proteja los pies y garantice el equilibrio en superficies deslizantes.
- Compruebe el combustible antes de poner en marcha el motor. No quite el tapón de llenado de combustible ni reposte combustible mientras el motor está en funcionamiento o caliente. No reposte en un espacio cerrado. La gasolina es un combustible extremadamente inflamable.
- Asegúrese de que la altura del soplador de nieve está ajustada para despejar el tipo de superficie sobre el que se utilizará.
- No utilice el soplador de nieve sin tener el peso trasero enganchado al tractor.
- Nunca efectúe ningún ajuste con el motor en funcionamiento.
- Use siempre gafas de bloqueo o algún dispositivo de protección ocular durante el funcionamiento o mientras esté llevando a cabo un ajuste o una reparación.
- No introduzca la mano o el pie en ningún elemento giratorio. Manténgase siempre alejado de la apertura de descarga.
- Extreme la precaución cuando esté manejando el aparato sobre superficies con grava.
- No transporte pasajeros.
- Si se produce una colisión contra un objeto extraño, apague el motor, retire el cable de la bujía y revise a fondo el soplador de nieve para detectar cualquier posible daño. Antes de volver a encender y utilizar el soplador de nieve, repare cualquier avería.
- Si el soplador de nieve empieza a vibrar de un modo anormal, pare el motor de inmediato e intente determinar las causas de dicha vibración. Por regla general, la vibración es un indicador de que existe algún problema.
- Apague el motor cuando deje el puesto de mando, antes de desatascar el soplador de nieve o antes de efectuar cualquier ajuste o inspección.
- Tome todas las precauciones posibles cuando deje la unidad desatendida. Desacople la palanca o interruptor del embrague, baje el soplador de nieve, cambie a la posición de punto muerto, accione el freno de estacionamiento, pare el motor y quite la llave
- Al efectuar operaciones de limpieza, reparación o inspección, asegúrese de que todas las partes móviles se han detenido. Desconecte el cable de la bujía y manténgalo alejado de la misma para evitar una puesta en marcha accidental.
- No encienda el motor en un espacio cerrado excepto cuando el soplador de nieve esté transportándose dentro o fuera del edificio. Abra las puertas de fuera. Los humos de escape son peligrosos.
- No quite la nieve situada en terrenos con mucha pendiente. Extreme la precaución al cambiar de dirección en pendientes. No intente quitar la nieve en pendientes muy pronunciadas. Consulte la guía de pendientes en la página 80 de este manual.
- Nunca utilice el soplador de nieves sin protecciones, placas u otros dispositivos de bloqueo.
- Nunca utilice el soplador de nieve cerca de recintos acristalados, automóviles, pozos con ventana, huecos grandes en el terreno, o similares, sin haber ajustado adecuadamente el ángulo de descarga del soplador de nieves.
- No dirija nunca la descarga hacia los observadores ni permita que nadie se sitúe delante del soplador de nieve.
- No lleve nunca a cabo la recogida de nieve a velocidades muy altas.
- No sobrepase nunca la capacidad de la máquina intentando quitar la nieve a un ritmo muy rápido.
- No utilice nunca la máquina a una velocidad de transporte muy alta en superficies deslizantes. Mire hacia atrás y tenga cuidado al retroceder.
- Mire el tráfico y esté alerta al cruzar o utilizar la máquina en carreteras.
- Desactive el soplador de nieve cuando lo transporte o no esté en uso.
- Utilice únicamente los accesorios y componentes autorizados por el fabricante del soplador de nieve (como por ejemplo equilibradores de rueda, contrapesos, cabinas, etc.) Nunca utilice el soplador de nieve si la luz o la visibilidad no son suficientes.

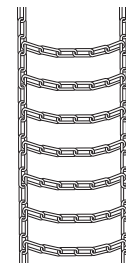
### IMPORTANTE:

Es necesario contar con pesas en las ruedas traseras y cadenas para ruedas para brindar tracción adicional y estabilidad al hacer uso de este accesorio para el soplador de nieve. Puede adquirir estos artículos al momento de adquirir su tractor.

### PESAS PARA LAS RUEDAS



### CADENAS PARA LAS RUEDAS



# MONTAJE

## HERRAMIENTAS NECESARIAS PARA EL MONTAJE

- (2) Llaves de 7/16" (11 mm)
- (2) Llaves de 1/2" (12 mm)
- (2) Llaves de 9/16" (14 mm)
- (2) Llaves de 3/4" (19 mm)
- (1) Destornillador
- (1) Cuchillo

## ELEMENTOS ADICIONALES NECESARIOS

Grasa multiuso

## DESEMBALAJE DE LAS PIEZAS

- Retire todas las piezas y los paquetes de accesorios de la caja de cartón. Ubique las piezas y los accesorios e identifíquelos utilizando las ilustraciones que se encuentran en las páginas 2 y 5.

**NOTA:** Puede no ser necesario utilizar todas las piezas y los accesorios provistos en su tractor en particular. Usted podrá descartar los elementos que no necesite una vez que haya armado y verificado el funcionamiento de la unidad. **NO DESCARTE** los dos pernos de seguridad (N) y las tuercas nylock de 5/16" (Y) extra. Consulte la sección de Servicio y Ajustes en la página 39.

**PRECAUCIÓN:** Antes de comenzar a montar el soplador de nieve, retire el(los) cables de las bujías, coloque el freno de mano y retire la llave de ignición del tractor.

## PREPARACIÓN DEL TRACTOR

Antes de seguir estas instrucciones, consulte la sección Servicio y Ajustes en el manual del usuario del tractor, para obtener instrucciones específicas relacionadas con la seguridad.

- Antes de comenzar, deje enfriar el motor, el silenciador y el deflector del escape.
- Retire todo elemento conectado en la parte delantera o trasera y que se encuentre montado en su tractor.
- Retire el accesorio cortacésped. Consulte el manual de usuario del tractor para obtener instrucciones sobre cómo retirar este accesorio. Marque todas las piezas que retira y guárdelas para el momento en que las vuelva a montar.
- Retire el capó del tractor. Consulte el manual de usuario del tractor para obtener instrucciones sobre cómo retirar este accesorio.

**IMPORTANTE:** El lado derecho (R.H.) y el izquierdo (L.H.) del tractor se determinan basados en la posición en la que el conductor se encuentra sentado al volante del tractor.

## IDENTIFIQUE SU TRACTOR

### PASO 1: (VER LA FIGURA 1)

- Busque bajo el frente de su tractor. Si encuentra un único soporte de suspensión para el accesorio cortacésped debajo de la mitad del eje delantero, continúe con el paso 2. Si su tractor no cuenta con un único soporte de suspensión para el accesorio cortacésped debajo de la mitad del frente delantero, continúe con el paso 21 que se encuentra en la página 33 y que se refiere a tractores con dos soportes de suspensión.

### PASO 2: (VER LA FIGURA 2)

- Retire la cubierta de la cortadora de la parte delantera del tractor, como se muestra en la figura. Sostenga la protección mientras retira el segundo perno para evitar que caiga.
- Asegúrese de volver a instalar la protección de la cortadora cuando se lo indique el paso 3.

## INSTALE LAS PLACAS LATERALES

### PASO 3: (VER LA FIGURA 3)

- Ajuste la Placa lateral derecha (con el ángulo hacia afuera) a los tres orificios que se encuentran en la parte delantera del bastidor del tractor utilizando tres pernos de cabeza de hongo de 3/8"x 1" (G), tres arandelas de 1/2" (R) (ver nota) y tres arandelas con brida de 3/8" (X). Para el orificio trasero, utilice un perno de cabeza de hongo de 5/16" x 1" (J), una arandela de 1/2" (R) y una arandela nylock de 5/16" (Y). Coloque las arandelas de 1/2" (R) entre el bastidor del tractor y la placa lateral. Repita la operación para la placa lateral izquierda.
- Vuelva a instalar la protección para la cortadora en el bastidor del tractor utilizando los tornillos originales.

**NOTA:** Si existe un plato donde montar el motor (se muestra en línea de puntos), no coloque la arandela de 1/2" en el perno que atraviesa el plato.

### PASO 4: (VER LA FIGURA 4)

- Fije un perno de tope (L) y una arandela de 3/8" (T) al exterior de la placa lateral derecha, asegurándola con una tuerca con brida de 3/8" (X). Repita la operación para la placa lateral izquierda.

## INSTALE LOS SOPORTES DE SUSPENSIÓN Y PERNOS DE TOPE AL EXTERIOR DEL BASTIDOR

### PASO 5: (VER LA FIGURA 5)

- Retire el perno, si hubiera uno, del orificio directamente por detrás de la varilla de freno en el lateral izquierdo del bastidor del tractor.
- Coloque el Soporte de suspensión del lateral izquierdo (con el tubo hacia afuera) en el orificio utilizando un perno autoenroscable de 5/16" x 3/4" (F).
- Instale un perno de tope de cabeza redonda (M) en el orificio que se encuentra a 24 cm de la parte posterior del perno que usted recién ha instalado. Asegúrelo con una tuerca con brida de 3/8" (X) al interior del bastidor.

### PASO 6: (VER LA FIGURA 6)

- Retire el soporte, si hubiera uno, del orificio directamente por detrás de la varilla de freno en el lateral derecho del bastidor del tractor. Guarde el soporte y el perno.
- Coloque el soporte de suspensión del lateral derecho en el orificio utilizando un perno autoenroscable de 5/16" x 3/4" (F).
- Instale un perno de tope de cabeza redonda (M) en el orificio que se encuentra a 24 cm de la parte posterior del perno que usted recién ha instalado. Asegúrelo con una tuerca con brida de 3/8" (X) al interior del bastidor.

### PASO 7: (VER LA FIGURA 7)

- Fije la polea (con el extremo largo del cubo de la rueda hacia abajo) y el espaciador grande (MM) al orificio que se muestra en el conjunto de embrague/polea libre. Utilice un perno de cabeza hexagonal de 3/8" x 3-1/4" (A), una arandela de 3/8" (T), una arandela de cierre de 3/8" (O) y una tuerca de cierre con cabeza hexagonal de 3/8" (Z).

## ESTA SECCIÓN ES SÓLO PARA TRACTORES CON EMBRAGUE DE ACOUPLE MANUAL

Si su tractor cuenta con embrague de acople eléctrico, continúe con el paso 14 en la página 32.

### PASO 8: (VER LA FIGURA 8)

- Fije los dos brazos de suspensión a la parte trasera del conjunto embrague/polea libre utilizando dos pernos hexagonales de 5/16" x 3/4" (C) y tuercas nylock de 5/16" (Y) para cada brazo. Coloque los brazos sobre el exterior del bastidor con las ranuras hacia la parte posterior.

**PASO 9: (VER LA FIGURA 9)**

- Fije el soporte para el cable a la ranura que se muestra en el conjunto embrague/polea libre utilizando un perno de cabeza de hongo de 5/16" x 3/4" (K) y una tuerca nylock de 5/16" (Y). Coloque el perno en el orificio que se encuentra en el frente del soporte y en el extremo de la ranura más cerca de la polea. Por ahora, no lo ajuste.

**PASO 10: (VER LA FIGURA 10)**

- Su soplador de nieve incluye dos correas de transmisión de longitudes diferentes. Los tractores con embrague de acople manual y un solo soporte de suspensión para el accesorio cortacésped en la parte delantera utilizan una correa de transmisión de 56" (142 cm) con el #48138 impreso en la parte externa de la correa. NO UTILICE la otra correa.
- Afloje levemente el perno hexagonal que se encuentra cerca de la polea plana libre. Instale la correa de transmisión entre el perno hexagonal y la polea plana libre con el lado plano de la correa contra la polea. Vuelva a ajustar el perno hexagonal.
- Extienda la correa alrededor de la polea trapezoidal de mayor tamaño, colocándola entre la polea trapezoidal y el perno hexagonal que se encuentra cerca de la polea. Coloque la correa en el interior de la otra polea plana libre.



¿Elegió la correa de transmisión correcta para su tractor? Si utiliza la correa cuya longitud no es la correcta, es posible que se produzcan daños prematuros en el cojinete o en la misma correa.

**PASO 11: (VER LA FIGURA 11)**

- Mueva la palanca del embrague de acople que se encuentra en el tablero de instrumentos hasta el punto de desacoplamiento (hacia abajo).
- Coloque el conjunto de embrague/polea libre sobre el piso a la izquierda del tractor.
- Conecte el cable del embrague del tractor al soporte del cable. Asegure la guía del alojamiento para el cable (ranura hacia abajo) al soporte del cable utilizando el anillo original y el pasador de horquilla de 5/64" (DD).
- Coloque un espaciador (LL) sobre el pasador soldado en el brazo de la polea libre. Enganche el extremo del resorte del cable del embrague alrededor del pasador y asegúrelo con una arandela de 1/4" (P) y un pasador de horquilla de 5/64" (DD).
- Alinee el soporte del cable con el pasador soldado y ajuste la tuerca montada en el paso 9.

**COLOQUE EL CONJUNTO DE EMBRAGUE/POLEA LIBRE EN EL TRACTOR.****PASO 12: (VER LA FIGURA 12)**

- Coloque el conjunto de embrague/polea libre en el bastidor del tractor. Enganche los brazos de suspensión ranurados en los dos pernos de tope (M) montados en el exterior del bastidor del tractor. Levante el frente del conjunto y fíjelo a los soportes de suspensión del lado izquierdo y derecho utilizando dos pasadores traba (GG) y pasadores de horquilla de 1/8" (EE).

**PASO 13: (VER LA FIGURA 13)**

- Primero, monte la correa de transmisión alrededor de la polea del motor y luego alrededor de la gran polea que se encuentra en la parte superior del conjunto de embrague/polea libre. La correa debe quedar dentro del (de los) sujetador(es) de la correa de la polea del motor y entre la gran polea y el perno del sujetador que se encuentra cerca de ella.

**IMPORTANTE:** No coloque la correa trapezoidal fuera de los sujetadores de la polea del motor o fuera del perno del sujetador que se encuentra cerca de la gran polea.

- Continúe con el paso 48 en la página 35.

**ESTA SECCIÓN ES SÓLO PARA TRACTORES CON EMBRAGUE DE ACOPLE ELÉCTRICO****PASO 14: (VER LA FIGURA 14)**

- Fije los dos brazos de suspensión a la parte trasera del conjunto embrague/polea libre utilizando dos pernos hexagonales de 5/16" x 3/4" (C) y tuercas nylock de 5/16" (Y) para cada brazo. Coloque los brazos sobre el exterior del bastidor con las ranuras hacia la parte posterior.

**PASO 15: (VER LA FIGURA 15)**

- Haga girar el conjunto de embrague/polea libre hasta que quede hacia arriba y coloque una cadena tensora adicional (JJ) a través del orificio delantero izquierdo.

**PASO 16: (VER LA FIGURA 16)**

- Enganche uno de los extremos del resorte incluido en la bolsa de piezas a través del eslabón de conexión de la cadena tensora.
- Con el conjunto de embrague/polea libre hacia arriba, enganche el otro extremo del resorte al extremo del perno y de la tuerca que aseguran la polea libre al brazo superior de la misma. Coloque una tuerca de cierre de cabeza hexagonal de 3/8" (Z) en el perno y la tuerca dejando suficiente espacio para que el resorte gire libremente entre las tuercas.
- Coloque un pasador de horquilla de 3/32" (FF) en la cadena, colocándolo en el quinto eslabón a partir del resorte.

**SELECCIONE LA CORREA DE TRANSMISIÓN ADECUADA (Tractores con embrague eléctrico y un único soporte de suspensión en la parte delantera)****PASO 17: (VER TABLA 1)**

- Su soplador de nieve incluye dos correas de transmisión de longitudes diferentes. Utilice la siguiente tabla para seleccionar la correa de transmisión adecuada para su tipo de tractor. El número de la pieza se encuentra impreso en el exterior de la correa.
- Separe la correa que no corresponde a su tractor para evitar utilizarla por accidente.

CORREA DE 55" (140 cm) (PIEZA #46989)		
TIPO DE TRACTOR	TAMAÑO DEL ACCESORIO	TIPO DE EMBRAGUE
Tractor para cortar césped (LT)	38" (96 cm), 42" (106 cm)	Eléctrico
CORREA DE 56" (142 cm) (PIEZA #48138)		
TIPO DE TRACTOR	TAMAÑO DEL ACCESORIO	TIPO DE EMBRAGUE
Tractor para cortar césped (LT)	48", (122 cm)	Eléctrico
(TJ) Tractor de jardín.	48" (122 cm), 54" (137 cm)	Eléctrico

**PASO 18: (VER LA FIGURA 17)**

- Haga girar el conjunto de embrague/polea libre hasta que quede hacia arriba.
- Afloje levemente el perno hexagonal que se encuentra cerca de la polea plana libre. Instale la correa de transmisión entre el perno hexagonal y la polea plana libre con el lado plano de la correa contra la polea. Vuelva a ajustar el perno hexagonal.
- Extienda la correa alrededor de la polea trapezoidal de mayor tamaño, colocándola entre la polea trapezoidal y el perno hexagonal que se encuentra cerca de la polea.

**PASO 19: (VER LA FIGURA 18)**

¿Elegió la correa de transmisión correcta para su tractor? Si utiliza la correa cuya longitud no es la correcta, es posible que se produzcan daños prematuros en el cojinete o en la misma correa.



- Fije el montaje del embrague de acople libre al bastidor del tractor. Enganche los brazos de suspensión ranurados en los dos pernos de tope (M) montados en el exterior del bastidor del tractor. Levante el frente del conjunto y fíjelo a los soportes de suspensión del lado izquierdo y derecho utilizando dos pasadores traba (GG) y pasadores de horquilla de 1/8" (EE).

#### **PASO 20: (VER LA FIGURA 19)**

- Primero, monte la correa de transmisión alrededor de la polea del motor y luego alrededor de la polea de mayor tamaño que se encuentra en la parte superior del conjunto de embrague/polea libre. Coloque la correa en el interior de la polea libre y el perno sujetador de la correa que se encuentra al lado de la polea de mayor tamaño.
- Ejercer tensión en la correa tirando de la cadena tensora del lateral izquierdo (JJ) hacia afuera tanto como permita el pasador de horquilla de 3/32" de la cadena. Asegure la cadena en esta posición insertando el pasador de horquilla de 1/8" por el ojo de la cadena.

**IMPORTANTE:** No instale la correa de transmisión por fuera del perno sujetador que se encuentra al lado de la polea de mayor tamaño.

- Continúe con el paso 48 en la página 35.

### **INSTRUCCIONES PARA TRACTORES CON DOS SOPORTES PARA LA SUSPENSIÓN DEL ACCESORIO EN LA PARTE DELANTERA**

#### **ASEGURE LAS PLACAS LATERALES AL TRACTOR**

Si su tractor se parece al de la figura 20, continúe con el paso 21.  
Si su tractor se parece al de la figura 22, continúe con el paso 23.

#### **PASO 21: (VER LA FIGURA 20)**

- Retire los pernos de los tres orificios delanteros que se muestran en la ilustración.
- En caso de que hubiera un perno en el cuarto orificio, reemplácelo con un perno de cabeza de hongo de 5/16" x 1" (J) sin tuerca. El soporte que está fijo al interior del bastidor debe quedar en su lugar.

#### **PASO 22: (VER LA FIGURA 21)**

- Ajuste la placa lateral derecha (con la cara curva hacia afuera) a los tres orificios del frente del bastidor del tractor utilizando tres pernos autoenroscables de 3/8" x 1" (E), tres arandelas de cierre de 3/8" (O) y una arandela de 1/2" (R) colocada en el tercer perno como suplemento entre la placa lateral y el bastidor. Ajuste todos los pernos. Repita la operación en el lado izquierdo.

**NOTA:** Si usted ha instalado un perno en el cuarto orificio, en el paso 21, monte una tuerca con brida de 5/16" (W) sobre el perno una vez instalada la placa lateral.

- Continúe con el paso 25 en esta página.

#### **PASO 23: (VER LA FIGURA 22)**

- Retire todos los pernos de los orificios presentes.

#### **PASO 24: (VER LA FIGURA 23)**

- Ajuste la placa lateral derecha (con la cara curva hacia afuera) a los tres orificios del bastidor del tractor. Utilice tres pernos autoenroscables de 3/8" x 1" (E), arandelas de cierre de 3/8" (O) y arandelas de 1/2" (R). Utilice arandelas de 1/2" como suplemento entre la placa lateral y el bastidor del tractor. Ajuste todos los pernos y repita la operación en el lateral izquierdo.

**NOTA:** Si el perno deja espacio libre en el orificio frontal, incluya una tuerca con brida de 3/8" (X) con el perno.

#### **PASO 25: (VER LA FIGURA 24)**

- Fije un perno de tope (L) y una arandela de 3/8" (T) al exterior de la placa lateral de cada lado, asegurándolas con una tuerca con brida de 3/8" (X).

### **INSTALACIÓN DE LOS SOPORTES DE SUSPENSIÓN**

Para poder trabajar mejor, haga descender los brazos de suspensión del tractor utilizando la palanca para elevar el accesorio.

#### **PASO 26: (VER LA FIGURA 25 ó 26)**

##### **Tractores con soportes apoyapié**

- Retire el perno y la tuerca que sujetan los soportes apoyapié laterales izquierdo y derecho al bastidor.
- Fije el soporte de suspensión del lado izquierdo (marcado con una "L") al interior del bastidor del tractor utilizando dos pernos de cabeza de hongo de 3/8" x 1" (G) y tuercas con brida de 3/8" (X). Las cabezas de los pernos deben ir en el interior del bastidor del tractor. Repita la operación en el lado derecho.

##### **Tractores sin soportes apoyapié**

- Busque el orificio vacío que se encuentra debajo del apoyapié. • Fije el soporte de suspensión del lado izquierdo (marcado con una "L") al interior del bastidor del tractor utilizando un perno de cabeza de hongo de 3/8" x 1" (G) y tuercas con brida de 3/8" (X). La cabeza del perno va hacia el interior del bastidor del tractor. Repita la operación en el lado derecho.

### **INSTALACIÓN DE LOS PERNOS TOPE**

#### **PASO 27: (VER LA FIGURA 27)**

- Retire el perno, la arandela y la tuerca que sujetan el soporte de la barra oscilante al lado izquierdo del bastidor del tractor. Reemplácelo por un perno de tope (L) y una tuerca con brida de 3/8" (X). El perno va hacia el interior del bastidor.

#### **PASO 28: (VER LA FIGURA 28)**

- Fije un perno tope (L) y una tuerca con brida de 3/8" (X) al lateral derecho del bastidor del tractor utilizando el primer orificio vacío en la parte de atrás del soporte de suspensión derecho. El perno va hacia el interior del bastidor.

### **INSTALACIÓN DEL CONJUNTO DE EMBRAGUE/POLEA LIBRE**

Esta sección describe la instalación del conjunto de embrague/polea libre de los tractores con embrague que funcionan a varilla (pág. 33), por cable (pág. 34), o eléctricos (pág. 35). Siga las instrucciones correspondientes a su tractor.

### **EMBRAGUE MANUAL QUE FUNCIONA CON VARILLA**

#### **PASO 29: (VER LA FIGURA 29)**

- Mueva la palanca del embrague que se encuentra en el tablero de instrumentos hasta el punto de desacoplamiento (hacia abajo).
- Atornille un muñón de sujeción (CC) al extremo de la varilla de enganche del soplador de nieve.
- Ubique el brazo del embrague (en el lugar en que se conectó la varilla del embrague de la cortadora de césped) debajo del lateral derecho del tractor, justo en el interior del brazo de suspensión. Si existe una extensión conectada a la palanca del embrague, debe retirarse la extensión, el perno y la tuerca y deben guardarse junto con la cortadora de césped.

**IMPORTANTE:** Vuelva a conectar la extensión a la palanca del embrague antes de volver a instalar la cortadora de césped.

- Ubique la varilla de enganche en el interior del brazo del embrague e introduzca el extremo perforado de la varilla a través del brazo. Asegúrelo con un pasador de horquilla de 5/64" (DD).

#### **PASO 30: (VER LA FIGURA 30)**

- Fije los dos brazos de suspensión a la parte trasera del conjunto embrague de acople libre utilizando dos pernos hexagonales de 5/16" x 3/4" (C), arandelas de 5/16" (Q) y tuercas nylock de 5/16" (Y) para cada brazo. Coloque las arandelas entre los brazos y el bastidor del conjunto.

#### **PASO 31: (VER LA FIGURA 31)**

- Su soplador de nieve incluye dos correas de transmisión de longitudes diferentes. Los tractores con embrague manual y dos soportes de suspensión ubicados en la parte delantera utilizan una correa de transmisión de 55" (140 cm) con el #46989 impreso en la parte externa de la correa. NO UTILICE la otra correa.
- Afloje levemente el perno hexagonal que se encuentra cerca de la polea plana libre. Instale la correa de transmisión entre el perno hexagonal y la polea plana libre con el lado plano de la correa contra la polea. Vuelva a ajustar el perno hexagonal.
- Extienda la correa alrededor de la polea trapezoidal de mayor tamaño, colocándola entre la polea trapezoidal y el perno hexagonal que se encuentra cerca de la polea.



¿Eligió la correa de transmisión correcta para su tractor? Si utiliza la correa cuya longitud no es la correcta, es posible que se produzcan daños prematuros en el cojinete o en la misma correa.

#### PASO 32: (VER LA FIGURA 32)

- Asegúrese de levantar el extremo delantero de la varilla de enganche, como se ilustra, cuando realice la siguiente operación. Usted puede sostener la varilla utilizando una banda de caucho enganchada al sujetador de la polea del motor.
- Fije el conjunto de embrague/polea libre al bastidor del tractor de la siguiente manera. Enganche los brazos ranurados del conjunto sobre los dos pernos de tope que usted armó en el interior del bastidor del tractor. Eleve el frente del conjunto y fíjelo a los soportes de suspensión derecho e izquierdo utilizando dos pasadores de traba (GG) y pasadores de horquilla de 1/8" (EE).

#### PASO 33: (VER LA FIGURA 33)

- Asegúrese de que la palanca del embrague que se encuentra en el tablero de instrumentos esté liberada (hacia abajo).
- Haga girar el brazo superior de la polea libre que descansa sobre el perno de tope y que apunta hacia el frente, como se muestra. Atornille el muñón de sujeción (CC) a las roscas de la varilla de enganche hasta que esté alineado con la parte delantera de la ranura del brazo de la polea libre. Fije el muñón de sujeción (CC) a la ranura utilizando una arandela delgada de 3/8" (S) y un pasador de horquilla de 5/64" (DD).
- Retire el sujetador de la polea del motor del lateral del bastidor del tractor retirando la arandela y la tuerca que lo aseguran. Fije el nuevo sujetador de polea que viene con el soplador de nieve, volviendo a utilizar el perno, la arandela y la tuerca originales.

**NOTA:** Algunos tractores ya están equipados con un sujetador de polea idéntico al que se provee.

#### PASO 34: (VER LA FIGURA 34)

- Monte la correa de transmisión trapezoidal corta alrededor de la polea del motor y luego alrededor de la polea de mayor tamaño que se encuentra en la parte superior del conjunto de embrague/polea libre. La correa debe colocarse en el interior del sujetador de la polea del motor, la polea libre y el perno del sujetador deben quedar al lado de la polea de mayor tamaño.

**IMPORTANTE:** No instale la correa trapezoidal por fuera del perno sujetador de la polea del motor o del perno del sujetador.

- Continúe con el paso 48 en la página 35.

### EMBRAGUE MANUAL DE ACOPLE QUE FUNCIONA CON VARILLA

#### PASO 35: (VER LA FIGURA 35)

- Fije los dos brazos de suspensión a la parte trasera del conjunto embrague/polea libre utilizando dos pernos hexagonales de 5/16" x 3/4" (C), arandelas de 5/16" (Q) y tuercas nylock de 5/16" (Y) para cada brazo. Coloque los brazos sobre el exterior del bastidor con las ranuras hacia la parte posterior.

#### PASO 36: (VER LA FIGURA 36)

- Monte el soporte del cable al conjunto del embrague/polea libre utilizando dos pernos de cabeza de hongo de 5/16" x 3/4" (K) y tuercas nylock de 5/16" (Y). Utilice los dos orificios delanteros del soporte del cable si su tractor tiene una cortadora de césped de 42" (106 cm). Utilice los dos orificios que se encuentran en la parte posterior si su tractor tiene un accesorio cortacésped de 46" (117 cm).

#### PASO 37: (VER LA FIGURA 37)

- Su soplador de nieve incluye dos correas de transmisión de longitudes diferentes. Los tractores con embrague manual de acople y dos soportes de suspensión ubicados en la parte delantera utilizan una correa de transmisión de 55" (140 cm) con el #46989 impreso en la parte externa de la correa. NO UTILICE la otra correa.
- Afloje levemente el perno hexagonal que se encuentra cerca de la polea plana libre. Instale la correa de transmisión entre el perno hexagonal y la polea plana libre con el lado plano de la correa contra la polea. Vuelva a ajustar el perno hexagonal.
- Extienda la correa alrededor de la polea trapezoidal de mayor tamaño, colocándola entre la polea trapezoidal y el perno hexagonal que se encuentra cerca de la polea.



¿Eligió la correa de transmisión correcta para su tractor? Si utiliza la correa cuya longitud no es la correcta, es posible que se produzcan daños prematuros en el cojinete o en la misma correa.

#### PASO 38: (VER LA FIGURA 38)

- Mueva la palanca del embrague que se encuentra en el tablero de instrumentos hasta el punto de desacoplamiento (hacia abajo).
- Coloque el conjunto de embrague/polea libre sobre el piso a la derecha del tractor.
- Conecte el cable del embrague del tractor al soporte del cable. Asegure la guía del alojamiento para el cable (ranura hacia abajo) al soporte del cable utilizando el anillo original y un pasador de horquilla de 5/64" (DD).
- Coloque un espaciador (LL) sobre el pasador soldado al brazo de polea libre. Enganche el extremo del resorte del embrague alrededor del pasador y asegúrelo con una arandela de 1/4" (P) y un pasador de horquilla de 5/64" (DD).

#### PASO 39: (VER LA FIGURA 39)

- Retire el sujetador de la polea del motor del lateral del bastidor del tractor retirando la arandela y la tuerca que lo aseguran. Fije el nuevo sujetador de polea que viene con el soplador de nieve, volviendo a utilizar el perno, la arandela y la tuerca originales.

**NOTA:** Algunos tractores ya están equipados con un sujetador de polea idéntico al que se provee.

- Fije el conjunto de embrague/polea libre al bastidor del tractor de la siguiente manera. Enganche los brazos ranurados del conjunto sobre los dos pernos de tope que usted armó en el interior del bastidor del tractor. Levante el frente del conjunto y fíjelo a los soportes de suspensión del lado izquierdo y derecho utilizando dos pasadores traba (GG) y pasadores de horquilla de 1/8" (EE).

#### PASO 40: (VER LA FIGURA 40)

- Monte la correa de transmisión trapezoidal corta alrededor de la polea del motor y luego alrededor de la polea de mayor tamaño que se encuentra en la parte superior del conjunto de embrague/polea libre. La correa debe colocarse en el interior del sujetador de la polea del motor, la polea libre y el perno del sujetador deben quedar al lado de la polea de mayor tamaño.

**IMPORTANTE:** No instale la correa trapezoidal por fuera del perno sujetador de la polea del motor o del perno del sujetador.

- Continúe con el paso 48 en la página 35.

## EMBRAGUES DE ACOPLE ELÉCTRICOS

### PASO 41: (VER LA FIGURA 41)

- Fije los dos brazos de suspensión a la parte trasera del conjunto embrague/polea libre utilizando dos pernos hexagonales de 5/16" x 3/4" (C), arandela de 5/16" (Q) y tuercas nylock de 5/16" (Y) para cada brazo. Coloque los brazos sobre el exterior del bastidor con las ranuras hacia la parte posterior.

### PASO 42: (VER LA FIGURA 42)

- Instale una cadena tensora adicional (JJ) a través del orificio delantero derecho ubicado en el conjunto del embrague/polea libre y luego haga girar el conjunto hasta que quede dado vuelta.

### PASO 43: (VER LA FIGURA 43)

- Enganche el resorte que se provee en la bolsa de accesorios a través del extremo de la cadena tensora.
- Enganche el otro extremo del resorte a la base del perno y de la tuerca que aseguran la polea libre al brazo superior de la misma. Sostenga la cabeza del perno y coloque una tuerca de cierre de cabeza hexagonal de 3/8" (Z) sobre el perno, dejando espacio suficiente para que el resorte se mueva con libertad entre las dos tuercas.
- Coloque un pasador de horquilla de 3/32" (FF) en la cadena, colocándolo en el quinto eslabón a partir del resorte.


### PASO 44: (VER TABLA 2)

- Su soplador de nieve incluye dos correas de transmisión de longitudes diferentes. Utilice la siguiente tabla para seleccionar la correa de transmisión adecuada para su tipo de tractor. El número de la pieza se encuentra impreso en el exterior de la correa.
- Separe la correa que no corresponde a su tractor para evitar utilizarla por accidente.

CORREA DE 55" (140 cm) (PIEZA #46989)		
TIPO DE TRACTOR	TAMAÑO DEL ACCESORIO	TIPO DE EMBRAGUE
Tractor para cortar césped (LT)	38" (96 cm), 42" (106 cm), 46" (117 cm)	Eléctrico
CORREA DE 56" (142 cm) (PIEZA #48138)		
TIPO DE TRACTOR	TAMAÑO DEL ACCESORIO	TIPO DE EMBRAGUE
Tractor para cortar césped (LT)	48", (122 cm)	Eléctrico

### PASO 45: (VER LA FIGURA 44)

- Haga girar el conjunto de embrague/polea libre hasta que quede hacia arriba.
- Afloje levemente el perno hexagonal que se encuentra cerca de la polea plana libre. Instale la correa de transmisión entre el perno hexagonal y la polea plana libre con el lado plano de la correa contra la polea. Vuelva a ajustar el perno hexagonal.
- Coloque la correa alrededor de la polea trapezoidal de mayor tamaño, entre la polea trapezoidal y el perno hexagonal que se encuentra cerca de la polea. Coloque la correa en el interior de la otra polea plana libre.



¿Elegió la correa de transmisión correcta para su tractor? Si utiliza la correa cuya longitud no es la correcta, es posible que se produzcan daños prematuros en el cojinete o en la misma correa.

### PASO 46: (VER LA FIGURA 45)

- Fije el conjunto de embrague/polea libre al bastidor del tractor de la siguiente manera. Enganche los brazos ranurados del conjunto sobre los dos pernos de tope que usted armó en el interior del bastidor del tractor. Levante el frente del conjunto y fíjelo a los soportes de suspensión del lado izquierdo y derecho utilizando dos pasadores traba (GG) y pasadores de horquilla de 1/8" (EE).

### PASO 47: (VER LA FIGURA 46)

- Primero, monte la correa de transmisión alrededor de la polea del motor y luego alrededor de la polea de mayor tamaño que se encuentra en la parte superior del conjunto de embrague/polea libre. La correa debe quedar instalada en el interior de la polea libre y el perno del sujetador al lado de la polea de mayor tamaño.
- Ejerza tensión en la correa tirando de la cadena tensora del lateral izquierdo hacia afuera tanto como permita el pasador de horquilla de 3/32" (FF). Asegure la cadena en esta posición insertando un pasador de horquilla de 1/8" (EE) por el ojo de la cadena.

**IMPORTANTE:** No instale la correa trapezoidal por fuera del perno sujetador de la polea del motor o del perno del sujetador.

## MONTAJE DEL SOPLADOR DE NIEVE

### PASO 48: (VER LA FIGURA 47)

- Coloque el tirador de elevación en el soporte de elevación a la derecha del soplador de nieve. Ajuste el tirador al soporte con dos pernos hexagonales de 5/16" x 1-3/4" (B) y tuercas nylock de 5/16" (Y).

**NOTA:** Asegúrese de que la cubierta plástica del cable de elevación/liberación quede inserta en la palanca de accionamiento para ejecutar el siguiente paso.

### PASO 49: (VER LA FIGURA 48)

- Empuje el tirador de elevación hacia abajo hasta que trabe. Introduzca el extremo del cable en el orificio de la varilla de elevamiento. Coloque el accesorio roscado en la ranura del soporte de elevación, con una tuerca hexagonal por arriba y una tuerca hexagonal y arandela de cierre por debajo de la ranura. Ajuste las tuercas para que el cable no quede suelto. Además, consulte la sección de Servicio y Ajustes en la página 39 de este manual.

**CONSEJO:** Para un montaje más sencillo del cable de elevación/liberación, incline el soplador de nieve hacia adelante hacia la barrena espiralada.

### PASO 50: (VER LA FIGURA 49)

- Incline el soplador de nieve hacia atrás, en el piso. Retire el tensor de nylon que sujeta la correa de transmisión de la barrena al alojamiento de descarga, dejando la correa montada alrededor de las poleas.
- Retire el tensor de nylon que asegura la varilla de la manivela del conducto al tubo soporte de la varilla de la manivela.
- Instale el tubo soporte de la varilla de la manivela al soporte lateral izquierdo del alojamiento de descarga utilizando dos pernos de cabeza de hongo de 5/16" x 1-1/4" (I) y tuercas nylock de 5/16" (Y).

### PASO 51: (VER LA FIGURA 50)

- Fije el montaje del control de inclinación del conducto a la parte superior del tubo soporte del cigüeñal utilizando dos pernos de cabeza de hongo de 5/16" x 1-3/4" (H), arandelas curvadas (U) y tuercas nylock de 5/16" (Y).

### PASO 52: (VER LA FIGURA 51)

- Instale los soportes del conjunto varilla manivela del conducto al soporte plástico que se encuentra en el lateral izquierdo del alojamiento de descarga. Alinee el soporte del cigüeñal del conducto que se encuentra debajo del soporte del pistón y arme ambos utilizando dos pernos de cabeza de hongo de 5/16" x 1" (J), arandelas de 5/16" (Q) y tuercas nylock de 5/16" (Y). Por ahora, no lo ajuste.

### PASO 53: (VER LA FIGURA 52)

- Recubra la parte superior del anillo que se encuentra alrededor del orificio de descarga con grasa multi-uso.
- Coloque el conducto de descarga (hacia abajo) sobre el anillo. Coloque el soporte anti-rotación sobre la parte superior de la brida del conducto, alineándola con los orificios que se encuentran a la derecha de la brida. Fije los tres sujetadores del conducto (BB) (lado derecho hacia arriba como muestra la ilustración) a la base de la brida utilizando seis pernos hexagonales de 1/4" x 1" (D), arandelas planas de 1/4" (P) y tuercas de cierre con bridas de 1/4" (V). Ajuste con cuidado de modo que las tuercas queden firmes pero no queden introducidas en los sujetadores plásticos del conducto.

- Coloque la cubierta plástica (HH) sobre el extremo corto del soporte antirrotación.
- Ubique el espiral de la varilla de la manivela (ver la figura 51) de modo que no toque la parte interior de las ranuras que se encuentran en la brida del conducto. Ajuste las tuercas.
- Verifique que la varilla de la manivela del cigüeñal haga girar libremente el conducto. De lo contrario, afloje, un cuarto de vuelta cada uno de los seis pernos hexagonales que sostienen los sujetadores del conducto a la brida del sujetador.
- Asegure los cables de control al tubo soporte de la varilla de la manivela con un tensor de nylon (II).

#### **PASO 54: (VER LA FIGURA 53)**

Omita este paso si usted cuenta con un tractor para cortar el césped. Este paso sólo se aplica a los tractores de jardín.

- Si usted cuenta con un Tractor de jardín (TJ), retire los pernos de tope a cada lado del bastidor del soplador de nieve.

### **INSTALACIÓN DEL SOPLADOR DE NIEVE AL TRACTOR**

**NOTA:** Es posible que sea necesaria la ayuda de otra persona para montar el soplador de nieve en el frente del tractor.

#### **PASO 55: (VER LA FIGURA 54)**

- Ubique el tractor y el soplador de nieve sobre una superficie plana y nivelada de modo que sea posible mover el tractor hacia atrás para instalar el soplador de nieve.
- Retire el pasador de sujeción del soplador de nieve.
- Extienda la correa de la barrena hacia afuera y hacia atrás del soplador de nieve, asegurándose que la correa siga enganchada alrededor de la parte superior de la polea de transmisión de mayor tamaño y por debajo de las dos poleas libres. El lado en "V" de la correa debe asentarse en las ranuras de las tres poleas.
- Mueva el tractor hasta que quede por detrás del soplador de nieve y céntralo entre los platos de montaje del soplador.
- Eleve la parte de atrás del soplador de nieve levantando el tirador de elevación hasta que las ranuras que se encuentran en los platos de montaje estén alineadas con los pernos de seguridad de las placas laterales del tractor. Haga que los pernos coincidan con las ranuras.
- Para que el montaje de la correa de transmisión de la barrena sea más sencillo, no instale el pasador de sujeción hasta que haya armado la correa según se indica en los pasos 56 y 57.

### **ANTES DE INSTALAR LA CORREA DE LA BARRENA**

#### **PASO 56: (VER LA FIGURA 55)**

- La correa de la barrena viene premontada sobre las poleas del alojamiento del soplador de nieve. Asegúrese de que la correa pase sobre la parte superior de la polea de la barrena y que luego recorra un cuarto de vuelta y pase por debajo de cada polea libre lateral. El lado en "V" de la correa debe coincidir con las ranuras de las poleas.

### **INSTALACIÓN DE LA CORREA DE LA BARRENA**

#### **PASO 57: (VER LA FIGURA 56)**

- Empuje el tirador de elevación hacia abajo para que la correa quede suelta (primero debe retirar el pasador de sujeción).
- Retire el pasador de horquilla de 1/8" (EE) que asegura el extremo del resorte del brazo de la polea libre al lateral derecho del conjunto de embrague/polea libre. Mueva el brazo de la polea libre hacia la izquierda.
- Coloque la correa de la barrena alrededor de la polea trasera y entre las dos poleas sobre el brazo de la polea libre. El lado en "V" de la correa debe coincidir con las ranuras de las poleas.

### **INSTALACIÓN DEL PERNO DE SUJECIÓN**

#### **PASO 58: (VER LA FIGURA 54)**

- Levante el frente del soplador de nieve para alinear los orificios de los platos de montaje y las placas laterales. Desde el lateral izquierdo del tractor, introduzca el pasador de sujeción a través de los orificios. Asegúrelo reinstalando el pasador de horquilla de 1/8" (EE).

### **AJUSTE DE LA TENSIÓN DE LA CORREA DE LA BARRENA**

#### **PASO 59: (VER LA FIGURA 57)**

- Tire de la cadena tensora hasta que el extremo del resorte pase por el orificio que se encuentra en el lateral del conjunto de embrague/polea libre. Instale el pasador de horquilla de 1/8" (EE) a través del extremo del resorte asegurándolo al exterior del conjunto de embrague/polea libre.

**IMPORTANTE:** Para obtener la tensión de correa correcta, debe fijarse el pasador de horquilla de 1/8" al extremo del resorte, no a la cadena.

**NOTA:** Para evitar que la cadena toque el piso, enrolle el extremo de la cadena en el pasador de traba del pivote. Consulte la figura 45 de la página 21.

### **INSTALACIÓN DE LOS REFLECTORES AL GUARDABARRO TRASERO**

#### **PASO 59: (VER LA FIGURA 58)**

- Si su tractor no cuenta con reflectores traseros, monte los provistos (KK) en su guardabarros trasero. Instale los reflectores tan cerca como sea posible de la base del guardabarros y tan separados entre sí como la forma del guardabarros lo permita.

### **LISTA DE VERIFICACIÓN**

Antes de poner en funcionamiento su soplador de nieve, por favor, revise la siguiente lista para ayudar a garantizar que usted logrará el mejor desempeño con su soplador de nieve.

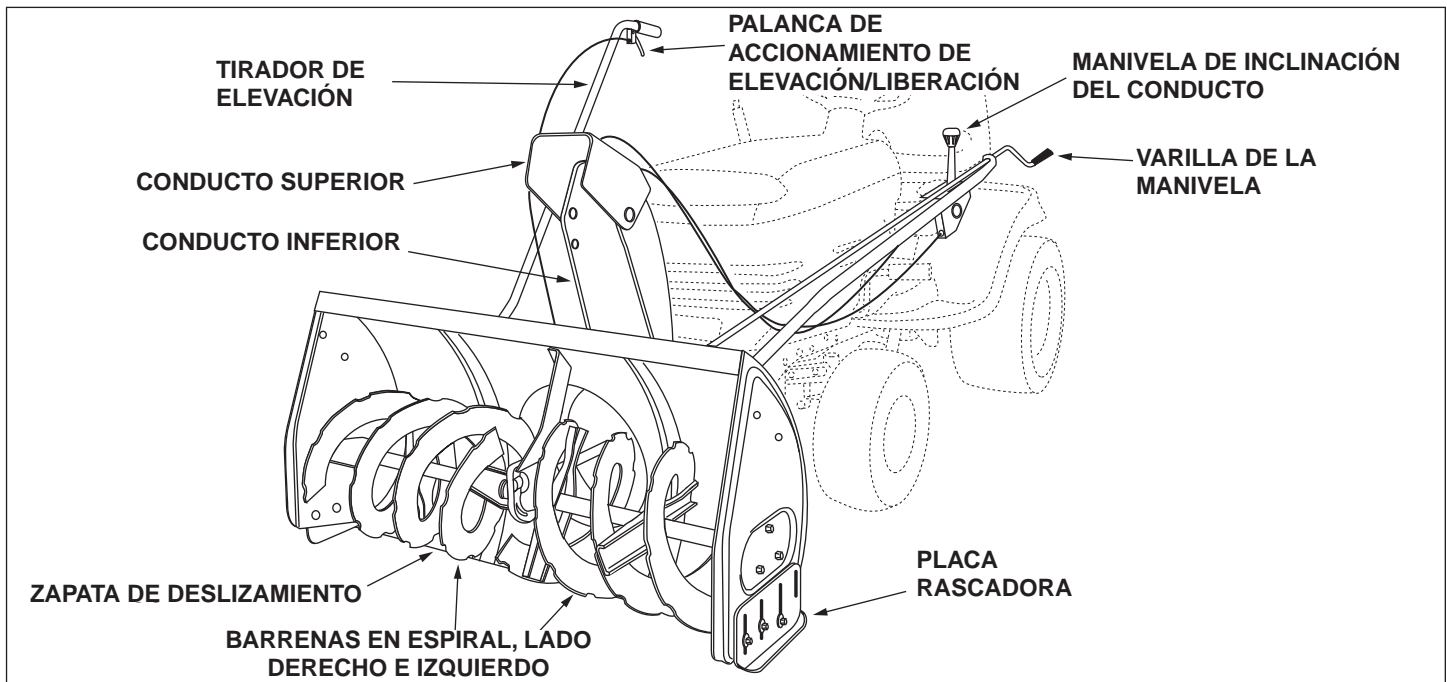
1. Se han cumplido todas las instrucciones de montaje y todos los pernos y tuercas están debidamente ajustados.
2. Verifique la correa del motor y la correa de la barrena. Asegúrese de que estén bien instaladas alrededor de las poleas y dentro de los sujetadores de la correa.
3. Verifique que el conducto de descarga gire sin problemas.
4. Verifique el funcionamiento y el control de inclinación del conducto superior de descarga.
5. Verifique que el tirador de elevación trabe y se libere de su posición elevada de transporte. (Consulte la sección Servicio y Ajustes.)
6. Verifique el ajuste de la zapata de deslizamiento. (Consulte la sección Servicio y Ajustes.)

Las instrucciones operativas comienzan en la página 37.

# FUNCIONAMIENTO

## FAMILIARÍCESE CON SU SOPLADOR DE NIEVE

Lea el manual del usuario y las reglas sobre seguridad antes de poner su soplador de nieve en funcionamiento. Compare la siguiente ilustración con su soplador de nieve para familiarizarse con los distintos controles y su ubicación.



**MANIVELA DE INCLINACIÓN DEL CONDUCTO:** Hace pivotar el conducto superior hacia arriba o hacia abajo para controlar el ángulo y la distancia de descarga.

**VARILLA DE LA MANIVELA:** hace girar los conductos superior e inferior para controlar la dirección de la descarga.

**TIRADOR DE ELEVACIÓN:** se utiliza para levantar o bajar el soplador de nieve para su transporte o para su funcionamiento.

**PALANCA DE ACCIONAMIENTO DE ELEVACIÓN/LIBERACIÓN:** libera la traba que mantiene al soplador de nieve en posición de transporte.

**CONDUCTO DE DESCARGA SUPERIOR E INFERIOR:** controla la dirección y altura de la descarga de nieve.

**PLACA RASCADORA:** placa reemplazable que absorbe el desgaste y el impacto del contacto con el terreno.

**ZAPATA DE DESLIZAMIENTO:** controla la cantidad de espacio libre entre la placa rascadora y el terreno.

**BARRENA ESPIRALADA, LADO DERECHO E IZQUIERDO:** alimenta nieve al ventilador propulsor que se encuentra en el centro del alojamiento.

### ANTES DE COMENZAR

- Utilice la parte final de la lista de verificación del montaje para verificar que se hayan cumplido las instrucciones.
- Asegúrese de que las zapatas de deslizamiento estén ajustadas para así mantener un espacio libre adecuado entre el soplador de nieve y el tipo de superficie a limpiar. (Consulte la sección Servicio y Ajustes.)
- Asegúrese de que el motor del tractor utilice el aceite adecuado para tareas en invierno (SAE 5W-30). Consulte el manual del usuario del tractor.

### CÓMO PONER EN MARCHA SU SOPLADOR DE NIEVE

- El tractor debe estar asentado con el motor funcionando con el acelerador totalmente abierto. Mueva el embrague a la posición de acoplamiento, poniendo el soplador de nieve en funcionamiento antes de acoplar el embrague.

### CÓMO DETENER SU SOPLADOR DE NIEVE

- Para detener su soplador de nieve, desacople la palanca del embrague del tractor en el caso de los embragues manuales o el dispositivo del embrague en los embragues eléctricos. Consulte el manual del usuario del tractor.

### CÓMO UTILIZAR SU SOPLADOR DE NIEVE



**PRECAUCIÓN:** Nunca dirija la descarga hacia personas que lo estén observando o ventanas. No permita que nadie se coloque frente a la unidad.

### CONTROL DE LA DESCARGA DE NIEVE

- Para controlar la dirección en la que se arroja la nieve, el conducto de descarga tiene un poder de giro de 180 grados. Haga girar la varilla de la manivela en el sentido de las agujas del reloj para hacer girar el conducto hacia la derecha. Haga girar la varilla de la manivela en el sentido contrario al de las agujas del reloj para hacer girar el conducto hacia la izquierda.
- Para controlar la distancia a la que se arroja la nieve, se eleva o se hace descender la sección superior del conducto de descarga. Empuje hacia adelante la manivela de inclinación del conducto para que esta suba o baje, disminuyendo así la distancia a la que se arroja la nieve. Jale del tirador para que el conducto se eleve, aumentando así la distancia a la que se arroja la nieve.

## ELEVACIÓN Y DESCENSO

- Para elevar, presione el tirador de elevación hasta que el soplador de nieve se traben en la posición de transporte en elevación.
- Para descender, presione levemente sobre el tirador de elevación y jale del disparador. Con la palanca accionada, haga descender lentamente el soplador de nieve hasta que llegue al piso.



**PRECAUCIÓN:** No haga funcionar el soplador de nieve sin haber fijado la pesa trasera al tractor, para brindar tracción y estabilidad adicionales.

## CÓMO REMOVER LA NIEVE

Las condiciones para la remoción de la nieve son muy variadas, desde una nevada liviana y suelta hasta nieve pesada y húmeda. Las instrucciones operativas deben ser flexibles para adecuarse a las condiciones reinantes. El operador debe adaptar el tractor para cortar césped y al soplador de nieve a la altura de la nieve, dirección del viento, temperatura y condiciones de la superficie.

- Antes de comenzar con la operación, inspeccione en detalle el área donde se operará y retire todos los felpudos, trineos, tablas, cables y demás objetos extraños.
- La velocidad de la barrena espiralada está directamente relacionada con la velocidad del motor. Para obtener una máxima remoción y descarga de la nieve, mantenga elevadas las rpm. del motor (acelerador abierto por completo). Se recomienda hacer funcionar el tractor para cortar césped a poca velocidad (en primera) para remover la nieve en forma segura y eficiente.
- En condiciones de nieve de mucho espesor, removida o estancada, es posible que sea necesario utilizar el acelerador totalmente abierto y poca velocidad (en primera). Avance en la nieve, presione el pedal del freno-embrague del tractor y deje que la barrena en espirar limpie la nieve. Repita este procedimiento hasta limpiar el camino. En la segunda pasada, vuelva a trabajar sobre la primera

para que el soplador de nieve pueda manejarse en la nieve sin tener que detenerse y volver a ponerse en marcha una y otra vez mientras avanza.

- En nieve muy alta, eleve el soplador para eliminar la capa superior y avance sólo hasta que las ruedas delanteras del tractor alcancen la capa inferior de nieve que aún no se ha limpiado. Presione el pedal de freno-embrague del tractor y deje que la barrena espiralada limpie la nieve. Ponga el tractor en reversa y haga descender el soplador de nieve hasta el piso. Avance con el tractor hasta que la capa de nieve nuevamente sea alta. Repetir el proceso de entradas y salidas, definitivamente limpiará, incluso las más altas pilas de nieve.
- Si el soplador de nieve se congestiona con nieve o se traba con un objeto extraño, desacople de inmediato el soplador y apague el motor del tractor. Libere el soplador antes de reiniciar la operación.



**PELIGRO:** Apague el motor y desacople el soplador de nieve antes de limpiar el conducto de descarga. Limpie utilizando una varilla de madera, no sus manos.

## CONSEJOS PARA LA OPERACIÓN

- Siempre que sea posible descargue la nieve en la dirección del viento.
- Para ayudar a evitar que la nieve se pegue al soplador, deje que el soplador alcance la temperatura exterior antes de utilizarlo. Además, también es posible aplicar una ligera capa de cera en la superficie interna del alojamiento del soplador de nieve y el conducto de descarga.
- Utilice cadenas en las ruedas para mejorar la tracción.
- Utilice pesas en las ruedas traseras para mejorar la tracción.
- Antes de retirar la primera capa de nieve, retire todas las piedras, ramas y otros objetos que pudieran encontrarse cubiertos por la nieve. Los obstáculos permanentes deben marcarse para poder visualizarlos.
- Superponga un tanto cada pasada para asegurar la completa remoción de la nieve.

# MANTENIMIENTO

## RESPONSABILIDADES DEL CLIENTE

- Lea y siga el plan y los procedimientos de mantenimiento que se enumeran en esta sección.

PLAN DE MANTENIMIENTO Completar las fechas cuando haga las operaciones de mantenimiento	Fechas de los servicios									
	Antes de cada uso	Después de cada uso	Cada temporada	Antes de guardarlo						
Verifique que los sujetadores no estén sueltos.	X									
Verifique que la placa rascadora y las zapatas no estén gastadas.	X		X							
Limpieza			X							
Sección Lubricación		X								

## LUBRICACIÓN

- Aceite todos los puntos con movimiento ascendente y descendente en el soplador de nieve.
- Aceite todos los puntos que pivotan de los dos brazos libres en el conjunto del embrague/polea libre.
- Aplique aceite penetrante a los cables de control del conducto de descarga.
- Aplique un rocío lubricante de buen grado en la palanca de accionamiento y el conjunto de control de inclinación del conducto.

## VERIFIQUE QUE EL EXCAVADOR Y LAS ZAPATAS NO PRESENTEN DESGASTE

(Ver la figuras 59 y 60 en la página 39)

- The scraper plate and skid shoes on the bottom of the snow thrower are subject to wear. To prevent damage to the spiral auger housing, replace plate and shoes before wear is excessive.

# SERVICIO Y AJUSTES



**PRECAUCIÓN:** Antes de realizar el servicio o ajustes en el soplador de nieve, apague el motor, retire el/los cable(s) de las bujías, coloque el freno de mano y retire la llave de ignición del tractor

## REEMPLAZO DE LA CORREA DE LA BARRENA

- Desacople el embrague del tractor.
- Haga descender el soplador de nieve hasta el piso.
- Retire el pasador de traba.
- Trabe el tirador de elevación del soplador de nieve hacia abajo para reducir la tensión de la correa.
- Libere la tensión del resorte del brazo de la polea libre de la correa de la barrena que se encuentra en la base del conjunto de embrague/polea libre.
- Retire al correa de transmisión de la barrena del conjunto de embrague/polea libre y del alojamiento de la barrena espiralada.
- Instale una nueva correa sobre la parte superior de la mayor polea de transmisión de la barrena y debajo de las dos poleas libres laterales. Haga girar la correa un cuarto de vuelta para que la "V" de la correa se asiente en la ranura de cada polea libre. Consulte la figura 55 de la página 24.
- Monte la correa sobre el conjunto de embrague/polea libre.

## AJUSTE DE LA ZAPATA DE DESLIZAMIENTO

- Las zapatas de deslizamiento se montan a cada lado del alojamiento de la barrena espiralada. Ellas regulan la distancia a la que se eleva la placa rascadora sobre la superficie a trabajar. Al remover la nieve de un camino de grava o de una superficie despereja, se recomienda que la placa rascadora guarde la mayor altura posible respecto de la superficie para evitar posible daños en la barrena espiralada. En superficies de asfalto o de cemento, mantenga la placa rascadora lo más cerca posible de la superficie.
- Eleve el soplador de nieve por sobre la superficie y coloque un bloque debajo de cada extremo de la placa rascadora. Afloje las seis tuercas de cabeza hexagonal que aseguran las zapatas de deslizamiento al alojamiento. Ajuste las zapatas de deslizamiento hacia arriba o hacia abajo y vuelva a ajustar las tuercas con firmeza. Ajuste ambas zapatas de deslizamiento a la misma altura para mantener el nivel del alojamiento y de la placa

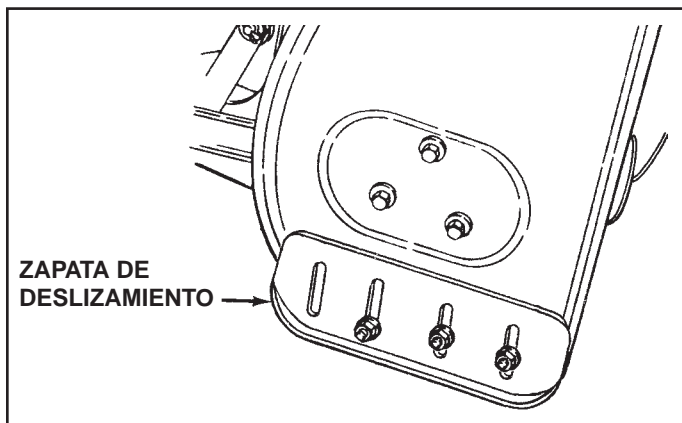


FIGURE 59

## CABLE DE ELEVACIÓN/LIBERACIÓN

- Si la varilla de elevación no traba el soplador de nieve de manera segura en la posición de transporte, afloje unas vueltas la tuerca de cabeza hexagonal superior que se encuentra en el soporte de elevación y ajuste la tuerca de cabeza hexagonal inferior. Consulte la figura 48 de la página 22.
- Si la varilla de elevación no se destraba por completo para hacer descender el soplador, afloje unas vueltas la tuerca de cabeza hexagonal inferior que se encuentra en el brazo de elevación y ajuste la tuerca de cabeza hexagonal superior. Consulte la figura 48 de la página 22.

## AJUSTE DEL DESACOPLE DEL EMBRAGUE

**(Sólo para tractores con embragues con varilla de acople. No para embragues eléctricos o a cable)**

Si la barrena espiralada del soplador de nieve no se detiene cuando la palanca del embrague de acople del tractor está desacoplado, es necesario realizar un ajuste. Proceda de la siguiente manera. Consulte la figura 33 de la página 17.

- Lleve la palanca del embrague de acople en posición de desacople.
- Retire el pasador de horquilla del muñón de sujeción de la varilla de acople y eleve el muñón de sujeción por fuera del orificio que se encuentran en el brazo de la polea libre.
- Atornille unas pocas vueltas el muñón de sujeción hacia el extremo delantero de la varilla.
- Reemplace el muñón de sujeción en el orificio del brazo de la polea libre y asegúrelo con un pasador de horquilla. Verifique el funcionamiento del soplador de nieve. Si de todas formas, las barrenas espiraladas no se detienen, repita los pasos anteriores hasta que las barrenas se detengan cuando la palanca del embrague de acople esté en posición de desacople.

## BARRENAS ESPIRALADAS

- Las barrenas espiraladas se encuentran aseguradas al eje de la barrena con dos pernos de seguridad y tuercas nylock y tuercas de cierre hexagonales. En caso de embestir un objeto extraño o de que las barrenas se llenan de hielo, el soplador está diseñado de modo que los pernos de seguridad se corten.
- En caso de que las barrenas no giren, verifique que no se hayan cortado los pernos de seguridad. Ver la figura 60. El soplador de nieve viene con pernos de seguridad y tuercas nylock - tuercas de cierre hexagonales de reemplazo. Para usos futuros, solicite pernos de seguridad con número de pieza 710-0890A y tuercas nylock con número de pieza 47810 - tuercas de cierre hexagonales.

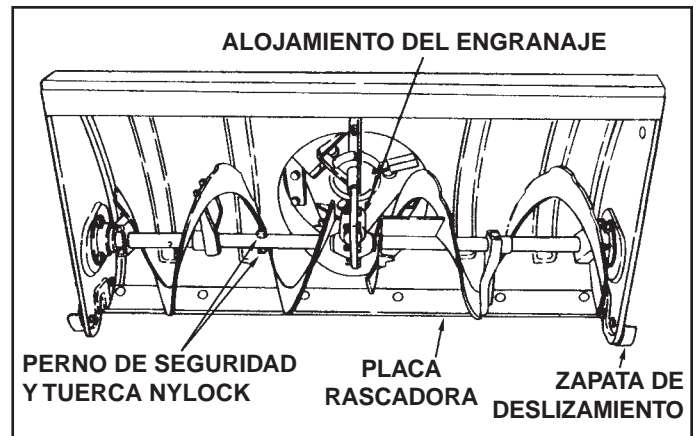


FIGURE 60

# ALMACENAMIENTO

## RECOMENDACIONES DE ALMACENAMIENTO

- Haga descender el soplador de nieve hasta el piso.
- Retire el soplador de nieve del tractor.
- Limpie cuidadosamente el soplador de nieve. Lave todo depósito de sal que pueda haber quedado seco en el soplador y en el alojamiento.
- Se debe aplicar o recubrir todo metal que haya estado expuesto con aceite liviano para evitar la corrosión.
- Guarde en un lugar seco.

## REMOCIÓN DEL ALOJAMIENTO DE LA BARRENA ESPIRALADA

- Haga descender el soplador de nieve hasta el piso.
- Retire el pasador de traba. Ver la figura 54 en la página 24.
- Trabe el tirador de elevación del soplador de nieve hacia abajo para reducir la tensión de la correa.
- Libere la tensión del resorte del brazo de la polea libre de la correa de la barrena que se encuentra en la base del conjunto de embrague/polea libre.
- Retire la correa de transmisión de la barrena del conjunto de embrague/polea libre. Ver la figura 56 en la página 24.
- Jale del alojamiento de la barrena espiralada para sacarlo del tractor.

## PIEZAS QUE ES NECESARIO RETIRAR AL FINALIZAR CADA TEMPORADA

- Retire el conjunto de embrague/polea libre. (Los dos soportes de suspensión y los dos pernos de tope pueden quedar en el bastidor del tractor.)
- Retire la correa de transmisión de la polea del motor.
- Si usted ha reemplazado el sujetador de la polea del motor en un tractor de embrague de acople manual, vuelva a instalar el sujetador original de la polea del motor del tractor. Ver la figura 33 en la página 17 o la figura 39 en la página 19.
- Si usted cuenta con un embrague de acople operado a varilla, retire la varilla de acople del brazo del embrague del tractor. Ver la figura 29 en la página 16.
- Si se ha de utilizar un acople montado en la parte de atrás, retire la bandeja trasera de peso, dejando los pernos que ha instalado a los lados de la barra de arrastre del tractor. Vuelva a ajustar los pernos.
- Si se ha de utilizar un acople en la parte delantera, retire las placas laterales del tractor. Asegúrese de montar los pernos nuevamente en los orificios vacíos en el bastidor del tractor.

# IDENTIFICACIÓN Y RESOLUCIÓN DE FALLAS

PROBLEMA	CAUSA	CORRECCIÓN
Obstrucción en el conducto de descarga	<ol style="list-style-type: none"> <li>1. La correa trapezoidal superior o inferior está demasiado floja.</li> <li>2. La correa trapezoidal superior o inferior está rota.</li> <li>3. Los pernos de seguridad están cortados.</li> </ol>	<ol style="list-style-type: none"> <li>1. Aumente la tensión de la correa trapezoidal.</li> <li>2. Reemplace la correa trapezoidal.</li> <li>3. Reemplace los pernos de corte.</li> </ol>
Las barrenas espiraladas no giran.	<ol style="list-style-type: none"> <li>1. Demasiada velocidad de marcha del tractor.</li> <li>2. El acelerador del tractor está poco abierto.</li> <li>3. Demasiada altura de nieve.</li> <li>4. La nieve se derrite al contacto con el soplador de nieve.</li> </ol>	<ol style="list-style-type: none"> <li>1. Utilice un engranaje de tractor más bajo.</li> <li>2. Abra el acelerador por completo.</li> <li>3. Eleve el soplador de nieve.</li> <li>4. Deje que el soplador de nieve tome la temperatura exterior antes de utilizarlo.</li> </ol>
El soplador de nieve paraliza el motor del tractor.	<ol style="list-style-type: none"> <li>1. Se atascó un objeto en la barrena espiralada.</li> <li>2. Nieve dura o pesada.</li> </ol>	<ol style="list-style-type: none"> <li>1. Detenga el motor, desacople el embrague del soplador de nieve y limpie la barrena.</li> <li>2. Abra completamente el acelerador y disminuya la velocidad de marcha.</li> </ol>
Las ruedas delanteras se deslizan en lugar de direccionarse.	<ol style="list-style-type: none"> <li>1. La tracción de las ruedas delanteras no es suficiente.</li> </ol>	<ol style="list-style-type: none"> <li>1. Aumente el espacio libre de la placa rascadora elevando las zapatas de deslizamiento.</li> <li>2. Presione el tirador de elevación para aumentar el peso en las ruedas delanteras.</li> </ol>
El soplador de nieve parece trepar la nieve.	<ol style="list-style-type: none"> <li>1. Demasiada velocidad de marcha del tractor.</li> <li>2. La nieve de base es hielo o está muy compactada.</li> </ol>	<ol style="list-style-type: none"> <li>1. Reduzca la velocidad de marcha.</li> <li>2. Haga descender las zapatas de deslizamiento de modo que el frente de la zapata esté más abajo que la parte de atrás.</li> </ol>





# SÉCURITÉ



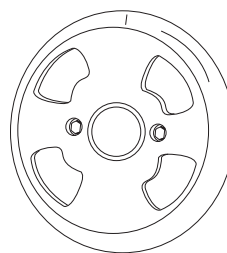
Tout appareil mécanique ou motorisé risque de provoquer des blessures si ce dernier n'est pas utilisé correctement ou si l'utilisateur ne sait pas comment l'utiliser. Faites preuve de prudence à tout moment lorsque vous utilisez un appareil mécanique ou motorisé.

- Lire ce manuel et veiller à bien connaître le fonctionnement de la souffleuse à neige avant de l'utiliser et savoir comment l'arrêter et mettre rapidement les commandes au point mort.
- Ne jamais laisser d'enfants utiliser la souffleuse.
- Ne jamais laisser d'adultes utiliser l'équipement sans avoir auparavant reçu une formation adéquate.
- Interdire à quiconque de se trouver dans la zone de travail, particulièrement aux jeunes enfants et aux animaux de compagnie.
- Vérifier particulièrement la zone où l'équipement sera utilisé afin de retirer les paillassons, luges, planches, câbles et autres objets étrangers.
- Débrayer et mettre les commandes au point mort avant de démarrer le moteur.
- Ne pas utiliser cet équipement sans porter des vêtements adéquats correspondants à la température extérieure.
- Porter des chaussures qui protègent les pieds et améliorent la prise sur les surfaces glissantes.
- Vérifier le niveau de carburant avant de démarrer le moteur. Ne pas dévisser le bouchon du réservoir de carburant ni remplir le réservoir pendant que le moteur fonctionne ou s'il est encore chaud. Ne pas remplir le réservoir à l'intérieur d'un bâtiment car l'essence est un carburant extrêmement inflammable.
- S'assurer que la hauteur de la souffleuse à neige est réglée pour déblayer le type de surface sur laquelle elle sera utilisée.
- Ne pas utiliser la souffleuse à neige sans masse de lestage arrière fixée au tracteur.
- Ne jamais effectuer de réglage pendant que le moteur est en train de fonctionner.
- Porter toujours des lunettes de protection ou une protection oculaire avant d'utiliser, de régler ou de réparer la souffleuse à neige.
- Ne pas placer les mains ni les pieds à proximité des pièces en mouvement. S'éloigner de l'ouverture d'éjection.
- Faire preuve d'extrêmes précautions en travaillant sur des surfaces en gravier ou en les traversant.
- Ne pas transporter de passager.
- Après avoir heurté un corps étranger, arrêter le moteur, retirer le câble de la bougie et inspecter ensuite rigoureusement la souffleuse afin de s'assurer qu'elle n'est pas endommagée. Réparer tout dégât avant de redémarrer et d'utiliser la souffleuse à neige.
- Si la souffleuse à neige commence à vibrer anormalement, arrêter immédiatement le moteur et rechercher la cause du problème. Les vibrations sont généralement un avertissement préliminaire avant l'apparition de problèmes.
- Arrêter le moteur aussitôt si l'on doit quitter le poste de travail derrière la souffleuse, avant de retirer la neige de la souffleuse ou de procéder à un réglage ou à une vérification.
- Prendre toutes les précautions possibles avant de laisser la souffleuse sans surveillance. Débrayer le levier d'embrayage ou l'interrupteur, abaisser la souffleuse à neige, passez au point mort, engager le frein à main, arrêter le moteur et retirez la clé de contact.
- Avant de nettoyer, réparer ou inspecter la souffleuse, s'assurer que toutes les pièces en mouvement sont à l'arrêt. Déconnecter le câble de la bougie et l'éloignez de cette dernière afin d'éviter tout démarrage accidentel.
- Ne pas faire fonctionner le moteur de la souffleuse à neige à l'intérieur d'un bâtiment sauf pour l'y ranger et l'en sortir. Ouvrir les portes vers l'extérieur. Les gaz d'échappement sont dangereux.
- Ne pas dégager la neige sur des pentes abruptes. Faire preuve d'une extrême prudence en changeant de direction sur une pente. Ne pas tenter de déneiger de fortes pentes. Se reporter au guide des pentes en page 81 de ce manuel.
- Ne jamais utiliser la souffleuse à neige sans ses protections, plaques ou dispositifs de sécurité en place.
- Ne jamais utiliser la souffleuse à neige à proximité de vitres, d'automobiles, de fenêtres, de dénivellation importante, etc. sans avoir correctement réglé l'angle d'éjection de la souffleuse.
- Ne jamais orienter le conduit d'éjection vers des personnes alentours et ne jamais laisser quiconque se tenir devant la souffleuse.
- Ne jamais utiliser la souffleuse dans de la neige à grande vitesse.
- Ne pas retirer la neige à trop grande vitesse car vous risquez une surcharge de la machine.
- Ne jamais utiliser la machine à de grandes vitesses sur des surfaces glissantes. Soyez extrêmement prudent lorsque vous effectuez une marche arrière.
- Prendre garde à la circulation routière et demeurer vigilant lors d'un croisement ou à proximité d'une route.
- Couper le moteur de la souffleuse afin de pouvoir la transporter ou elle n'est pas utilisée.
- Utiliser uniquement des outils et des accessoires homologués par le fabricant de la souffleuse à neige (masses d'équilibrage, contrepoids, cabines, etc.).
- Ne jamais utiliser la souffleuse à neige sans une bonne visibilité ou un bon éclairage.

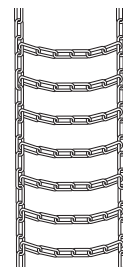
## IMPORTANT:

Des masses d'équilibrage et des chaînes antidérapantes doivent être posées aux roues arrière pour que le tracteur ait une traction et une stabilité supplémentaires quand la souffleuse à neige est utilisée. Ces articles sont disponibles auprès du concessionnaire qui vous a vendu le tracteur.

## MASSES D'ÉQUILIBRAGE DES ROUES



## CHAÎNES ANTIDÉRAPANTES



# ASSEMBLAGE

## OUTILS NÉCESSAIRES POUR L'ASSEMBLAGE

- (2) Clés de 7/16 po. (11 mm)
- (2) Clés de 1/2 po. (12 mm)
- (2) Clés de 9/16 po. (14 mm)
- (2) Clés de 3/4 po. (19 mm)
- (1) Tournevis
- (1) Couteau

## ÉLÉMENTS SUPPLÉMENTAIRES NÉCESSAIRES

Graisse universelle tout usage

## SORTIR LES PIÈCES DU CARTON

- Sortir toutes les pièces et les sacs de pièces de quincaillerie du carton. Étaler les pièces et la quincaillerie, puis les identifier à l'aide des illustrations aux pages 2 et 5.

**REMARQUE:** Les pièces et la quincaillerie fournies ne sont pas toujours nécessaires sur tous les modèles de tracteur. Les articles inutiles peuvent être jetés après avoir fini l'assemblage et vérifié le fonctionnement de l'unité. **NE PAS JETER** les 2 boulons de cisaillement de rechange (N) et les écrous mécaniques de sécurité de 5/16 po (Y). Se référer à la section Service et réglages à la page 50.

**AVERTISSEMENT:** Avant de commencer l'assemblage de la souffleuse à neige, enlever le ou les fils de bougies d'allumage, serrer le frein à main et retirer la clé de contact du tracteur.

## PRÉPARER LE TRACTEUR

Avant d'exécuter les instructions, se référer à la section Entretien et Réglages du manuel du tracteur en cas d'instructions de sécurité spécifiques.

- Laisser refroidir le moteur, le pot d'échappement et le déflecteur d'échappement avant de commencer.
- Enlever tout dispositif additionnel monté à l'avant ou à l'arrière du tracteur.
- Enlever le châssis de la tondeuse. Se référer au manuel du tracteur pour les instructions d'enlèvement. Marquer toutes les pièces desserrées et les mettre de côté pour le réassemblage.
- Retirer le carter de protection du tracteur. Se référer au manuel du tracteur pour les instructions d'enlèvement.

**IMPORTANT:** Les côtés droit (R.H.) et gauche (L.H.) du tracteur sont déterminés à partir de la position du conducteur au volant du tracteur.

## IDENTIFIER LE TRACTEUR

### ÉTAPE 1 : (VOIR LA FIGURE 1)

- Regarder sous l'avant du tracteur. S'il n'y a qu'un seul support de suspension pour le châssis de la tondeuse situé sous le centre de l'essieu avant, passer à l'étape 2. Si le tracteur n'a pas de support de suspension sous le centre de l'essieu avant, passer à l'étape 21 à la page 44 pour les tracteurs avec double support de suspension.

## INSTRUCTIONS POUR LES TRACTEURS AVEC UN SEUL SUPPORT DE SUSPENSION FRONTAL POUR LE CHÂSSIS DE LA TONDEUSE

### ÉTAPE 2: (VOIR LA FIGURE 2)

- Retirer le bouclier thermique à l'avant du tracteur comme indiqué. Retenir le bouclier pendant l'enlèvement de la seconde vis pour éviter de le faire tomber.
- Ne pas oublier de remonter le bouclier thermique conformément aux instructions à l'étape 3.

## INSTALLER LES PLAQUES LATÉRALES

### ÉTAPE 3 : (VOIR LA FIGURE 3)

- Fixer la plaque latérale droite (partie courbée à l'extérieur) aux trois trous frontaux dans le châssis du tracteur à l'aide de trois boulons de carrosserie de 3/8 x 1 po. (G), trois rondelles de 1/2 po. (R) (voir la remarque) et trois écrous à embase de 3/8 po. (X). Pour le trou arrière, utiliser un boulon de carrosserie de 5/16 x 1 po. (J), une rondelle de 1/2 po. (R) et un écrou mécanique de sécurité de 5/16 po. (Y). Placer les rondelles de 1/2 po. (R) entre le châssis du tracteur et la plaque latérale. Répéter pour la plaque latérale gauche.
- Remonter le bouclier thermique sur le châssis du tracteur à l'aide des vis d'origine.

**REMARQUE:** S'il y a une plaque de montage pour le moteur (indiquée en pointillé), ne pas mettre la rondelle de 1/2 po. sur le boulon qui traverse la plaque.

### ÉTAPE 4 : (VOIR LA FIGURE 4)

- Assembler un boulon à épaulement (L) et une rondelle 3/8 po. (T) à l'extérieur de la plaque latérale droite et fixer-les avec un écrou à embase de 3/8 po. (X). Répéter pour la plaque latérale gauche.

## INSTALLER LES SUPPORTS SUSPENDUS ET LES BOULONS À ÉPAULEMENT À L'EXTÉRIEUR DU CHÂSSIS

### ÉTAPE 5 : (VOIR LA FIGURE 5)

- Retirer le boulon, le cas échéant, dans le trou juste derrière la tige de frein sur le côté gauche du châssis du tracteur.
- Fixer le support suspendu gauche (tube vers l'extérieur) au trou à l'aide d'un boulon auto-taraudeur de 5/16 x 3/4 po. (F).
- Installer un boulon à épaulement à tête ronde (M) dans le trou situé à 24 cm à l'arrière du boulon qui vient d'être posé. Serrer avec un écrou à embase de 3/8 po. (X) à l'intérieur du châssis.

### ÉTAPE 6 : (VOIR LA FIGURE 6)

- Enlever le support, le cas échéant, du trou qui se trouve juste derrière la tige de frein sur le côté droit du châssis du tracteur. Ranger le support et le boulon.
- Fixer le support suspendu droit au trou à l'aide d'un boulon auto-taraudeur de 5/16 x 3/4 po. (F).
- Installer un boulon à épaulement à tête ronde (M) dans le trou situé à 24 cm à l'arrière du boulon qui vient d'être posé. Serrer avec un écrou à embase de 3/8 po. (X) à l'intérieur du châssis.

## CE CHAPITRE CONCERNE LES TRACTEURS ÉQUIPÉS D'UN EMBRAYAGE MANUEL.

**Si le tracteur est équipé d'un embrayage électrique, passer à l'étape 14 à la page 43.**

### ÉTAPE 7 : (VOIR LA FIGURE 7)

- Fixer la poulie (longue extrémité du moyeu vers le bas) et la grande rondelle d'espacement (MM) au trou indiqué dans l'ensemble embrayage et galet tendeur. Utiliser un boulon hexagonal de 3/8 x 3-1/4 po. (A), une rondelle de 3/8 po. (T), une rondelle de blocage de 3/8 po. (O) et un écrou de blocage hexagonal de 3/8 po. (Z).

### ÉTAPE 8 : (VOIR LA FIGURE 8)

- Fixer les deux bras de suspension à l'arrière de l'ensemble embrayage et galet tendeur à l'aide de deux boulons hexagonaux de 5/16 x 3/4 po. (C) et d'écrous mécaniques de sécurité de 5/16 po. (Y) pour chaque bras. Placer les bras à l'extérieur du châssis avec les crans vers l'arrière.

### ÉTAPE 9 : (VOIR LA FIGURE 9)

- Fixer le support de fixation du câble à l'ouverture indiquée sur l'ensemble embrayage et galet tendeur à l'aide d'un boulon de carrosserie de 5/16 x 3/4 po. (K) et un écrou mécanique de sécurité de 5/16 po (Y). Placer le boulon dans le trou frontal du support et au bout de l'ouverture la plus proche de la poulie. Ne pas serrer tout de suite.

#### ÉTAPE 10 : (VOIR LA FIGURE 10)

- Deux courroies de mécanisme d'entraînement de longueur différente sont fournies avec la souffleuse à neige. La courroie du mécanisme d'entraînement de 56 po. (142 cm) avec le numéro 48138 imprimé à l'extérieur de la courroie est réservée aux tracteurs équipés d'embrayage manuel et de support de suspension de châssis unique à l'avant. NE PAS UTILISER l'autre courroie.
- Desserrer légèrement le boulon hexagonal à côté du galet tendeur plat. Faire passer la courroie de mécanisme d'entraînement entre le boulon hexagonal et le galet tendeur plat avec le côté plat de la courroie contre la poulie. Resserrer le boulon hexagonal.
- Entourer la courroie autour de la grande poulie en V, la plaçant entre la poulie en V et le boulon hexagonal à côté de la poulie. Placer la courroie à l'intérieur de l'autre galet tendeur plat.



Est-ce bien la bonne courroie pour ce tracteur? Choisir une courroie de la mauvaise longueur peut entraîner une défaillance prématurée du roulement ou de la courroie.

#### ÉTAPE 11 : (VOIR LA FIGURE 11)

- Mettre le levier d'embrayage sur le tableau de bord en position de débrayage (vers le bas).
- Placer l'ensemble embrayage et galet tendeur sur le sol à gauche du tracteur.
- Fixer le câble d'embrayage du tracteur au support de fixation du câble. Sécuriser le guide de la gaine de câble (rainure vers le bas) au support du câble à l'aide du collier de réglage d'origine et d'une goupille fendue de 5/64 po. (DD).
- Placer une rondelle d'espacement (LL) sur la goupille soudée au bras de renvoi. Accrocher l'extrémité du ressort de câble de l'embrayage au dessus de la goupille et serrer avec une rondelle de 1/4 po. (P) et une goupille fendue de 5/64 po. (DD).
- Aligner le support de câble à la goupille soudée et serrer l'écrou assemblé à l'étape 9.

#### FIXER L'ENSEMBLE EMBRAYAGE ET GALET TENDEUR AU TRACTEUR

#### ÉTAPE 12 : (VOIR LA FIGURE 12)

- Fixer l'ensemble embrayage et galet tendeur au châssis du tracteur. Accrocher les bras de suspension à crans aux deux boulons à épaulement (M) assemblés à l'extérieur du châssis du tracteur. Soulever l'avant de l'ensemble et le fixer aux supports suspendus gauche et droit à l'aide de deux axes de blocage de pivot (GG) et de goupilles fendues de 1/8 po. (EE).

#### ÉTAPE 13 : (VOIR LA FIGURE 13)

- Assembler d'abord la courroie du mécanisme d'entraînement sur la poulie du moteur, puis sur la grande poulie au dessus de l'ensemble embrayage/galet tendeur. La courroie doit être placée à l'intérieur de la ou des gâches de la courroie de la poulie du moteur et entre la grande poulie et le boulon de la gâche à côté de la poulie.

**IMPORTANT:** Ne pas assembler la courroie en V à l'extérieur des gâches de poulie du moteur ou à l'extérieur du boulon de la gâche à côté de la grande poulie.

- Passer à l'étape 48 à la page 46.

#### CE CHAPITRE CONCERNE LES TRACTEURS ÉQUIPÉS D'UN EMBRAYAGE ÉLECTRIQUE

#### ÉTAPE 14 : (VOIR LA FIGURE 14)

- Fixer les deux bras de suspension à l'arrière de l'ensemble embrayage et galet tendeur à l'aide de deux boulons hexagonaux de 5/16 x 3/4 po. (C) et d'écrous mécaniques de sécurité de 5/16 po. (Y) pour chaque bras. Placer les bras à l'extérieur du châssis avec les crans vers l'arrière.

#### ÉTAPE 15 : (VOIR LA FIGURE 15)

- Retourner l'ensemble embrayage et galet tendeur à l'envers et placer la chaîne de tension supplémentaire (JJ) au travers du trou frontal gauche.

#### ÉTAPE 16 : (VOIR LA FIGURE 16)

- Accrocher une extrémité du ressort fourni dans le sac de pièces à travers le maillon au bout de la chaîne de tension.
- L'ensemble embrayage et galet tendeur étant à l'envers, accrocher l'autre extrémité du ressort à l'extrémité du boulon et de l'écrou qui retiennent le galet tendeur au bras de renvoi supérieur. Assembler un écrou de blocage hexagonal de 3/8 po. (Z) au boulon et à l'écrou, laissant suffisamment d'espace entre les écrous pour que le ressort puisse pivoter librement.
- Fixer une goupille fendue de 3/32 po. (FF) à la chaîne, la plaçant au cinquième maillon à partir du ressort.

#### CHOISIR LA BONNE COURROIE DE MÉCANISME D'ENTRAÎNEMENT

(Tracteurs à embrayage électrique équipés d'un seul support de suspension frontal de châssis)

#### ÉTAPE 17 : (VOIR LE TABLEAU 1)

- Deux courroies de mécanisme d'entraînement de longueur différente sont fournies avec la souffleuse à neige. Se servir du tableau ci-dessous pour choisir la courroie appropriée au tracteur. Le numéro de la pièce est imprimé à l'extérieur de la courroie.
- Mettre de côté la courroie qui ne concerne pas le tracteur afin d'éviter de l'utiliser par erreur.

COURROIE DE 55 po. (140 cm) (PIÈCE NO. 46989)		
TYPE DE TRACTEUR	TAILLE DU CHÂSSIS	TYPE D'EMBRAYAGE
Tondeuse autoportée (LT)	38 po. (96 cm), 42 po. (106 cm)	Électrique
COURROIE DE 56 po. (142 cm) (PIÈCE NO. 48138)		
TYPE DE TRACTEUR	TAILLE DU CHÂSSIS	TYPE D'EMBRAYAGE
Tondeuse autoportée (LT)	48 po. (122 cm)	Électrique
(GT) Tracteur de jardin	48 po. (122 cm), 54" (137 cm)	Électrique

#### ÉTAPE 18 : (VOIR LA FIGURE 17)

- Tourner l'ensemble embrayage et galet tendeur de manière à ce que le côté droit soit en haut.
- Desserrer légèrement le boulon hexagonal à côté du galet tendeur plat. Faire passer la courroie du mécanisme d'entraînement entre le boulon hexagonal et le galet tendeur plat avec le côté plat de la courroie contre la poulie. Resserrer le boulon hexagonal.
- Entourer la courroie autour de la grande poulie en V, la plaçant entre la poulie en V et le boulon hexagonal à côté de la poulie.



Est-ce bien la bonne courroie pour ce tracteur? Choisir une courroie de la mauvaise longueur peut entraîner une défaillance prématurée du roulement ou de la courroie.

#### ÉTAPE 19 : (VOIR LA FIGURE 18)

- Fixer l'ensemble embrayage et galet tendeur au châssis du tracteur. Accrocher les bras de suspension à crans aux deux boulons à épaulement (M) assemblés vers l'extérieur du châssis du tracteur. Soulever l'avant de l'ensemble et le fixer aux supports suspendus gauche et droit à l'aide de deux axes de blocage de pivot (GG) et de goupilles fendues de 1/8 po. (EE).

#### ÉTAPE 20 : (VOIR LA FIGURE 19)

- Assembler d'abord la courroie du mécanisme d'entraînement sur la poulie du moteur, puis sur la grande poulie au dessus de l'ensemble embrayage et galet tendeur. Placer la courroie vers l'intérieur du galet tendeur et le boulon de la gâche de la courroie situé à côté de la grande poulie.
- Tendre la courroie en tirant la chaîne de tension du côté gauche (JJ) le plus possible, dans la mesure où la goupille fendue de 3/32 po. le permet. Maintenir la chaîne dans cette position en insérant une goupille fendue de 1/8 po. (EE) à travers la chaîne.

**IMPORTANT:** Ne pas assembler la courroie du mécanisme d'entraînement autour de l'extérieur du boulon de la gâche à côté de la grande poulie.

- Passer à l'étape 48 à la page 46.

### INSTRUCTIONS CONCERNANT LES TRACTEURS ÉQUIPÉS DE DEUX SUPPORTS DE SUSPENSION FRONTAUX POUR LE CHÂSSIS

#### FIXER LES PLAQUES LATÉRALES AU TRACTEUR

Si le tracteur ressemble à la figure 20, passer à l'étape 21.

Si le tracteur ressemble à la figure 22, passer à l'étape 23.

#### ÉTAPE 21 : (VOIR LA FIGURE 20)

- Retirer les boulons des trois trous indiqués.
- S'il y a un boulon dans le quatrième trou, le remplacer par un boulon de carrosserie de 5/16 x 1 po. (J) sans écrou. Le support fixé à l'intérieur du châssis doit rester en place.

#### ÉTAPE 22 : (VOIR LA FIGURE 21)

- Fixer la plaque latérale droite (partie courbée à l'extérieur) aux trois trous frontaux indiqués sur le châssis du tracteur à l'aide de trois boulons auto-taraudeurs de 3/8 x 1 po. (E), de trois rondelles de blocage de 3/8 po. (O) et d'une rondelle de 1/2 po. (R) placée sur le troisième boulon comme cale entre la plaque latérale et le châssis. Serrer tous les boulons. Répéter pour la plaque latérale gauche.

**REMARQUE:** Si un boulon a été mis dans le quatrième trou à l'étape 21, assembler un écrou à embase de 5/16 po. (W) sur le boulon après avoir installé la plaque latérale.

- Passer à l'étape 25 sur cette page.

#### ÉTAPE 23 : (VOIR LA FIGURE 22)

- Enlever tous les boulons trouvés dans les trous indiqués.

#### ÉTAPE 24 : (VOIR LA FIGURE 23)

- Fixer la plaque latérale droite (partie courbée à l'extérieur) aux trois trous frontaux indiqués sur le châssis du tracteur. Utiliser trois boulons auto-taraudeurs de 3/8 x 1 po. (E), des rondelles de blocage de 3/8 po. (O) et des rondelles de 1/2 po. (R). Utiliser les rondelles de 1/2 po. comme cale entre la plaque latérale et le châssis du tracteur. Serrer tous les boulons et répéter pour le côté gauche.

**REMARQUE:** Si le boulon s'insère facilement dans le trou frontal, assembler un écrou à embase de 3/8 po. (X) au boulon.

#### ÉTAPE 25 : (VOIR LA FIGURE 24)

- Assembler un boulon à épaulement (L) et une rondelle de 3/8 po. (T) à l'extérieur de chaque plaque latérale, les visser avec un écrou à embase de 3/8 po. (X).

### INSTALLER LES SUPPORTS SUSPENDUS

Pour avoir un meilleur passage libre, abaisser les bras de suspension du tracteur à l'aide du levier d'élévation.

#### ÉTAPE 26 : (VOIR LA FIGURE 25 OU 26)

##### Sur les tracteurs avec des supports de repose-pied

- Retirer le boulon et l'écrou qui fixent les supports gauche et droit du repose-pied au châssis.

- Fixer le support suspendu gauche (indiqué par L) à l'intérieur du châssis du tracteur à l'aide de deux boulons de carrosserie de 3/8 x 1 po. (G) et des écrous à embase de 3/8 po. (X). Les têtes des boulons vont à l'intérieur du châssis. Répéter pour le côté droit.

##### Sur les tracteurs sans support de repose-pied

- Trouver le trou vide sous le repose-pied. Fixer le support suspendu gauche (indiqué par L) à l'intérieur du châssis à l'aide d'un boulon de carrosserie de 3/8 x 1 po. (G) et un écrou à embase de 3/8 po. (X). Les têtes de boulon vont à l'intérieur du châssis du tracteur. Répéter pour le côté droit.

### INSTALLER LES BOULONS À ÉPAULEMENT

#### ÉTAPE 27 : (VOIR LA FIGURE 27)

- Retirer le boulon, la rondelle et l'écrou qui fixent le support de barre stabilisatrice au côté gauche du châssis du tracteur. Remplacer par un boulon à épaulement (L) et un écrou à embase de 3/8 po. (X). Le boulon va à l'intérieur du châssis.

#### ÉTAPE 28 : (VOIR LA FIGURE 28)

- Assembler un boulon à épaulement (L) et un écrou à embase de 3/8 po. (X) au côté droit du châssis du tracteur, utilisant le premier trou vide à l'arrière du support suspendu droit. Le boulon va à l'intérieur du châssis.

### INSTALLER L'ENSEMBLE EMBRAYAGE ET GALET TENDEUR

Ce chapitre concerne le montage de l'ensemble embrayage et galet tendeur sur les tracteurs avec un embrayage fonctionnant avec une bielle (p. 44), un câble (p. 45) ou électriquement (p. 45). Suivre les instructions appropriées au tracteur.

### EMBRAYAGE MANUEL FONCTIONNANT AVEC UNE BIELLE

#### ÉTAPE 29 : (VOIR LA FIGURE 29)

- Mettre le levier d'embrayage sur le tableau de bord en position de débrayage (vers le bas).
- Visser le tourillon (CC) au bout de la biellette de mise en prise de la souffleuse.
- Trouver le bras de l'embrayage (à l'endroit où la bielle de l'embrayage de la tondeuse était raccordée) sous le côté droit du tracteur, juste à l'intérieur du bras de suspension. S'il y a une rallonge raccordée au levier d'embrayage, cette rallonge, le boulon et l'écrou doivent être retirés et rangés avec le châssis de la tondeuse.

**IMPORTANT:** Raccorder la rallonge au levier d'embrayage avant de réinstaller le châssis de la tondeuse.

- Positionner la biellette de mise en prise vers l'intérieur du bras d'embrayage et insérer le bout foré de la biellette à travers le bras. Serrer avec une goupille fendue de 5/64 po. (DD).

#### ÉTAPE 30 : (VOIR LA FIGURE 30)

- Fixer les deux bras de suspension vers l'intérieur de l'ensemble embrayage et galet tendeur à l'aide de deux boulons hexagonaux de 5/16 x 3/4 po. (C), des rondelles de 5/16 po. (Q) et des écrous mécaniques de sécurité de 5/16 po. (Y) pour chaque bras. Placer les rondelles entre les bras et le châssis de l'ensemble.

#### ÉTAPE 31 : (VOIR LA FIGURE 31)

- Deux courroies de mécanisme d'entraînement de longueur différente sont fournies avec la souffleuse à neige. La courroie de mécanisme d'entraînement de 55 po. (140 cm) avec le numéro 46989 imprimé à l'extérieur de la courroie, est réservée aux tracteurs équipés d'un embrayage manuel et de double support de suspension de châssis à l'avant. NE PAS UTILISER l'autre courroie.
- Desserrer légèrement le boulon hexagonal à côté du galet tendeur plat. Faire passer la courroie de mécanisme d'entraînement entre le boulon hexagonal et le galet tendeur plat avec le côté plat de la courroie contre la poulie. Resserrer le boulon hexagonal.
- Entourer la courroie autour de la grande poulie en V, la plaçant entre la poulie en V et le boulon hexagonal à côté de la poulie.

### ÉTAPE 32 : (VOIR LA FIGURE 32)

- Ne pas oublier de soulever l'extrémité frontale de la biellette de mise en prise comme indiqué pour l'opération suivante. La biellette peut être soutenue provisoirement à l'aide d'un élastique fixé à la gâche de la poulie du moteur.
- Fixer l'ensemble embrayage et galet tendeur au châssis du tracteur comme suit. Accrocher les bras à crans de l'ensemble aux deux boulons à épaulement assemblés vers l'intérieur du châssis du tracteur. Soulever l'avant de l'ensemble et le fixer aux supports suspendus droit et gauche à l'aide de deux axes de blocage de pivot et de goupilles fendues de 1/8 po. (EE).

### ÉTAPE 33 : (VOIR LA FIGURE 33)

- S'assurer que le levier d'embrayage sur le tableau de bord est en position de débrayage (vers le bas).
- Pivoter le bras de renvoi supérieur de manière à ce qu'il repose sur le boulon de butée et qu'il soit pointé en direction de l'avant, comme indiqué. Visser le tourillon (CC) sur le filetage de la biellette de mise en prise jusqu'à ce qu'il s'aligne à l'extrémité avant de l'ouverture du bras de renvoi. Fixer le tourillon (CC) à l'ouverture à l'aide d'une rondelle fine de 3/8 po. (S) et d'une goupille fendue de 5/64 po. (DD).
- Retirer la gâche de la poulie du moteur du côté du châssis du tracteur en enlevant la rondelle et l'écrou qui retiennent la gâche. Fixer la nouvelle gâche de la poulie fournie avec la souffleuse à neige, en réutilisant le boulon, la rondelle et l'écrou d'origine.

**REMARQUE:** Certains tracteurs peuvent être déjà équipés d'une gâche de poulie identique à la nouvelle gâche fournie.

### ÉTAPE 34 : (VOIR LA FIGURE 34)

- Assembler la petite courroie en V à la poulie du moteur, puis à la grande poulie au dessus de l'ensemble embrayage et galet tendeur. La courroie doit être placée à l'intérieur de la gâche de la poulie du moteur, le galet tendeur et le boulon de la gâche à côté de la grande poulie.

**IMPORTANT:** Ne pas assembler la courroie en V autour de l'extérieur de la gâche de la poulie du moteur ou du boulon de la gâche.

- Passer à l'étape 48 à la page 46.

## EMBRAYAGE MANUEL À CÂBLE

### ÉTAPE 35 : (VOIR LA FIGURE 35)

- Fixer les deux bras de suspension à l'arrière de l'ensemble embrayage et galet tendeur à l'aide de deux boulons hexagonaux de 5/16 x 3/4 po. (C), d'une rondelle de 5/16 po. (Q) et d'écrous mécaniques de sécurité de 5/16 po. (Y) pour chaque bras. Placer les bras à l'extérieur du châssis avec les crans vers l'arrière.

### ÉTAPE 36 : (VOIR LA FIGURE 36)

- Assembler le support de fixation du câble à l'ensemble embrayage et galet tendeur à l'aide de deux boulons de carrosserie de 5/16 x 3/4 po. (K) et d'écrous mécaniques de sécurité de 5/16 po. (Y). Utiliser les deux trous frontaux dans le support de fixation du câble si le tracteur a un châssis de tondeuse de 42 po. (106 cm). Utiliser les deux trous arrière si le tracteur a un châssis de tondeuse de 46 po. (117 cm).

### ÉTAPE 37 : (VOIR LA FIGURE 37)

- Deux courroies de mécanisme d'entraînement de longueur différente sont fournies avec la souffleuse à neige. La courroie du mécanisme d'entraînement de 55 po. (140 cm), avec le numéro 46989 imprimé à l'extérieur de la courroie, est réservée aux tracteurs équipés d'un embrayage manuel et de double support de suspension de châssis à l'avant. NE PAS UTILISER l'autre courroie.
- Desserrer légèrement le boulon hexagonal à côté du galet tendeur plat. Faire passer la courroie de mécanisme d'entraînement entre le boulon hexagonal et le galet tendeur plat avec le côté plat de la courroie contre la poulie. Resserrer le boulon hexagonal.
- Entourer la courroie autour de la grande poulie en V, la plaçant entre la poulie en V et le boulon hexagonal à côté de la poulie.



Est-ce bien la bonne courroie pour ce tracteur? Choisir une courroie de la mauvaise longueur peut entraîner une défaillance prématurée du roulement ou de la courroie.

### ÉTAPE 38 : (VOIR LA FIGURE 38)

- Mettre le levier d'embrayage sur le tableau de bord en position de débrayage (vers le bas).
- Placer l'ensemble embrayage et galet tendeur sur le sol à droite du tracteur.
- Fixer le câble de l'embrayage du tracteur au support de fixation du câble. Sécuriser le guide de la gaine de câble (rainure vers le bas) au support de câble à l'aide du collier de réglage d'origine et d'une goupille fendue de 5/64 po. (DD).
- Placer une rondelle d'espacement (LL) sur la goupille soudée au bras de renvoi. Accrocher l'extrémité du ressort de câble de l'embrayage au dessus de la goupille et serrer avec une rondelle de 1/4 po. (P) et une goupille fendue de 5/64 po. (DD).

### ÉTAPE 39 : (VOIR LA FIGURE 39)

- Retirer la gâche de la poulie du moteur du côté du châssis du tracteur en enlevant la rondelle et l'écrou qui retiennent la gâche. Fixer la nouvelle gâche de la poulie fournie avec la souffleuse à neige, en réutilisant le boulon, la rondelle et l'écrou d'origine.

**REMARQUE:** Certains tracteurs peuvent être déjà équipés d'une gâche de poulie identique à la nouvelle gâche fournie.

- Fixer l'ensemble embrayage et galet tendeur au châssis du tracteur comme suit. Accrocher les bras à crans de l'ensemble aux deux boulons à épaulement assemblés à l'intérieur du châssis du tracteur. Soulever l'avant de l'ensemble et le fixer aux supports suspendus droit et gauche à l'aide de deux axes de blocage de pivot et de goupilles fendues de 1/8 po. (EE).

### ÉTAPE 40 : (VOIR LA FIGURE 40)

- Assembler la petite courroie en V à la poulie du moteur, puis à la grande poulie au dessus de l'ensemble embrayage et galet tendeur. La courroie doit être placée vers l'intérieur de la gâche de la poulie du moteur, du galet tendeur et du boulon de la gâche à côté de la grande poulie.

**IMPORTANT:** Ne pas assembler la courroie en V autour de l'extérieur de la gâche de la poulie du moteur ou du boulon de la gâche.

- Passer à l'étape 48 à la page 46.

## EMBRAYAGES ÉLECTRIQUES

### ÉTAPE 41 : (VOIR LA FIGURE 41)

- Fixer les deux bras de suspension à l'arrière de l'ensemble embrayage et galet tendeur à l'aide de deux boulons hexagonaux de 5/16 x 3/4 po. (C), d'une rondelle de 5/16 po. (Q) et d'écrous mécaniques de sécurité de 5/16 po. (Y) pour chaque bras. Placer les bras à l'extérieur du châssis avec les crans vers l'arrière.

### ÉTAPE 42 : (VOIR LA FIGURE 42)

- Passer la chaîne de tension supplémentaire (JJ) à travers le trou frontal gauche dans l'ensemble embrayage et galet tendeur, puis tourner l'ensemble à l'envers.

### ÉTAPE 43 : (VOIR LA FIGURE 43)

- Accrocher le ressort situé dans le sac des pièces à travers l'extrémité de la chaîne de tension.
- Accrocher l'autre extrémité du ressort au bas du boulon et de l'écrou qui retiennent le galet tendeur au bras de renvoi supérieur. Tenir la tête du boulon et assembler un écrou de blocage hexagonal de 3/8 po. sur le boulon, laissant suffisamment de place pour que le ressort puisse pivoter librement entre les deux écrous.
- Fixer une goupille fendue de 3/32 po. (FF) à la chaîne, la plaçant au cinquième maillon à partir du ressort.


#### ÉTAPE 44 : (VOIR LE TABLEAU 2)

- Deux courroies de mécanisme d'entraînement de longueur différente sont fournies avec la souffleuse à neige. Utiliser le tableau ci-dessous pour choisir la bonne courroie appropriée au tracteur. Le numéro de la pièce est imprimé à l'extérieur de la courroie.
- Mettre de côté la courroie qui ne concerne pas le tracteur afin d'éviter de l'utiliser par erreur.

COURROIE DE 55 po. (140 cm) (PIÈCE NO. 46989)		
TYPE DE TRACTEUR	TAILLE DU CHÂSSIS	TYPE D'EMBRAYAGE
Tondeuse autoportée (LT)	38 po. (96 cm), 42 po. (106 cm), 46 po. (117 cm)	Électrique
COURROIE DE 56 po. (142 cm) (PIÈCE NO. 48138)		
TYPE DE TRACTEUR	TAILLE DU CHÂSSIS	TYPE D'EMBRAYAGE
Tondeuse autoportée (LT)	48 po. (122 cm)	Électrique

#### ÉTAPE 45 : (VOIR LA FIGURE 44)

- Tourner l'ensemble embrayage et galet tendeur pour que le côté droit soit en haut.
- Desserrer légèrement le boulon hexagonal à côté du galet tendeur plat. Passer la courroie de mécanisme d'entraînement entre le boulon hexagonal et le galet tendeur plat avec le côté plat de la courroie contre la poulie. Resserer le boulon hexagonal.
- Entourer la courroie autour de la grande poulie en V, la plaçant entre la poulie en V et le boulon hexagonal à côté de la poulie. Placer la courroie à l'intérieur de l'autre galet tendeur plat.



Est-ce bien la bonne courroie pour ce tracteur? Choisir une courroie de la mauvaise longueur peut entraîner une défaillance prématurée du roulement ou de la courroie.

#### ÉTAPE 46 : (VOIR LA FIGURE 45)

- Fixer l'ensemble embrayage et galet tendeur au châssis du tracteur comme suit. Accrocher les bras à crans de l'ensemble aux deux boulons à épaulement assemblés à l'intérieur du châssis du tracteur. Soulever l'avant de l'ensemble et le fixer aux supports suspendus droit et gauche à l'aide de deux axes de blocage de pivot et de goupilles fendues de 1/8 po. (EE).

#### ÉTAPE 47 : (VOIR LA FIGURE 46)

- Assembler la courroie du mécanisme d'entraînement à la poulie du moteur, puis à la grande poulie au dessus de l'ensemble embrayage et galet tendeur. La courroie doit être placée à l'intérieur du galet tendeur et du boulon de la gâche à côté de la grande poulie.
- Tendre sur la courroie en tirant la chaîne de tension du côté gauche (JJ) le plus possible, dans la mesure où la goupille fendue de 3/32 po. (FF) le permet. Maintenir la chaîne dans cette position en insérant une goupille fendue de 1/8 po. (EE) à travers la chaîne.

**IMPORTANT:** Ne pas assembler la courroie en V autour de l'extérieur de la gâche de la poulie du moteur ou du boulon de la gâche.

### ASSEMBLER LA SOUFFLEUSE À NEIGE

#### ÉTAPE 48 : (VOIR LA FIGURE 47)

- Placer la poignée d'élévation dans le support du bras d'élévation sur le côté droit de la souffleuse à neige. Fixer la poignée au support à l'aide de deux boulons hexagonaux de 5/16 x 1-3/4 po. (B) et d'écrous mécaniques de sécurité de 5/16 po. (Y).

**REMARQUE:** S'assurer que la protection en plastique du câble de la gâchette d'élévation reste insérée dans la gâchette pour l'étape suivante.

#### ÉTAPE 49 : (VOIR LA FIGURE 48)

- Appuyer sur la poignée d'élévation pour la bloquer. Insérer l'extrémité du fil du câble dans le trou de la barre d'élévation. Placer l'accessoire taraudé dans l'ouverture du support du bras d'élévation, avec un écrou hexagonal au-dessus et un écrou hexagonal et la rondelle de blocage en dessous de l'ouverture. Serrer les écrous en les réglant de manière à éliminer toute mollesse du câble. Se référer aussi à la section Service et réglages à la page 50 de ce manuel.

**CONSEIL PRATIQUE:** Pencher la souffleuse à neige en avant sur la tarière en spirale pour assembler plus facilement le câble de la gâchette d'élévation.

#### ÉTAPE 50 : (VOIR LA FIGURE 49)

- Reposer la souffleuse à neige sur le sol.
- Retirer l'attache en nylon qui relie la courroie de mécanisme d'entraînement de la tarière au carter d'éjection, en laissant la courroie autour des poulies.
- Retirer l'attache en nylon qui relie la bielle d'inclinaison de la goulotte d'éjection au tube de support de la bielle de la goulotte.
- Assembler le tube de support de la bielle de la goulotte au support sur le côté gauche du carter d'éjection à l'aide de deux boulons de carrosserie 5/16 x 1-1/4 po. (I), et d'écrous mécaniques de sécurité de 5/16 po. (Y).

#### ÉTAPE 51 : (VOIR LA FIGURE 50)

- Fixer le mécanisme de la commande d'inclinaison de la goulotte d'éjection à la partie supérieure du tube de support de la bielle à l'aide de deux boulons de carrosserie de 5/16 x 1-3/4 po. (H), de rondelles frein (U) et d'écrous mécaniques de sécurité de 5/16 po. (Y).

#### ÉTAPE 52 : (VOIR LA FIGURE 51)

- Fixer les supports de la bielle d'inclinaison des goulottes d'éjection au bras en plastique sur le côté gauche du carter d'éjection. Aligner le support de la bielle de la goulotte sous le bras de support de la bielle de la goulotte et assembler les deux au bras en plastique à l'aide de deux boulons de carrosserie de 5/16 x 1 po. (J), de rondelles de 5/16 po. (Q) et d'écrous mécaniques de sécurité de 5/16 po. (Y). Ne pas serrer tout de suite.

#### ÉTAPE 53 : (VOIR LA FIGURE 52)

- Enrober de graisse universelle le haut de l'anneau autour de l'ouverture de la décharge.
- Placer la goulotte d'éjection (faisant face vers l'avant) sur l'anneau. Placer la patte anti-rotation au dessus du rebord de la goulotte d'éjection, l'alignant aux trous sur la droite du rebord. Fixer les trois gâches de la goulotte d'éjection (BB) (côté droit vers le haut comme indiqué) au bas du rebord à l'aide de six boulons hexagonaux de 1/4 x 1 po. (D), de rondelles plates de 1/4 po. (P) et d'écrous de blocage à embase de 1/4 po. (V). Serrer avec précaution de manière à ce que les écrous rentrent juste bien mais ne mordent pas dans le plastique des gâches de la goulotte d'éjection.
- Placer le capuchon en plastique (HH) sur la petite extrémité de la patte anti-rotation.
- Positionner la spirale de la bielle d'inclinaison des goulottes (voir la figure 51) de manière à ce qu'elle ne frotte pas contre le bas des crans retenant le rebord de la goulotte d'éjection. Serrer les écrous.
- Vérifier si la bielle d'inclinaison des goulottes fait tourner sans gêne la goulotte d'éjection. Si tel n'est pas le cas, desserrer d'un quart de tour chacun des six boulons hexagonaux retenant les gâches de goulotte d'éjection au rebord de goulotte.
- Fixer les câbles de commande au tube de support de la bielle d'inclinaison des goulottes à l'aide d'une attache en nylon (II).

#### ÉTAPE 54 : (VOIR LA FIGURE 53)

**Sauter cette étape si la tondeuse est autoportée.**

**Cette étape ne concerne que les tracteurs de jardin.**

- S'il s'agit d'un tracteur de jardin (GT), retirer les boulons de butée de chaque côté du châssis de la souffleuse à neige.

## ATTELER LA SOUFFLEUSE À NEIGE AU TRACTEUR

**REMARQUE:** Il peut être nécessaire d'obtenir l'aide d'une personne supplémentaire pour monter la souffleuse à l'avant du tracteur.

### ÉTAPE 55 : (VOIR LA FIGURE 54)

- Placer le tracteur et la souffleuse à neige sur une surface plate et nivelée de manière à pouvoir faire avancer le tracteur pour atteler la souffleuse.
- Retirer l'axe d'attelage de la souffleuse.
- Étendre la courroie de la tarière derrière la souffleuse tout en s'assurant que la courroie passe toujours sur le haut de la grande poulie d'entraînement et sous les deux galets tendeurs. Le côté en V de la courroie doit reposer dans les rainures des trois poulies.
- Faire rouler le tracteur derrière la souffleuse, le centrant entre les plaques de montage de la souffleuse.
- Relever l'arrière de la souffleuse en soulevant la poignée d'élévation jusqu'à ce que les crans des plaques de montage s'alignent sur les boulons à épaulement sur les plaques latérales du tracteur. Guider les boulons dans les crans.
- Pour faciliter l'assemblage de la courroie de mécanisme d'entraînement de la tarière, attendre d'avoir assemblé la courroie conformément aux étapes 56 et 57 avant d'installer l'axe d'attelage.

## AVANT D'INSTALLER LA COURROIE DE LA TARIÈRE

### ÉTAPE 56: (VOIR LA FIGURE 55)

- La courroie de la tarière est fournie pré-assemblée aux poulies sur le carter de la souffleuse. S'assurer que la courroie passe au dessus du haut de la poulie de la tarière, puis tourne d'un quart de tour pour passer sous les galets tendeurs de chaque côté. Le côté en V de la courroie doit être en phase avec les rainures des poulies.

## INSTALLER LA COURROIE DE LA TARIÈRE

### ÉTAPE 57 : (VOIR LA FIGURE 56)

- Abaisser la poignée d'élévation pour augmenter le mou de la courroie (il faut d'abord enlever l'axe d'attelage).
- Enlever la goupille fendue de 1/8 po. (EE) qui maintient l'extrémité du ressort du bras de renvoi au côté droit de l'ensemble embrayage et galet tendeur. Déplacer le bras de renvoi sur le côté gauche.
- Placer la courroie de la tarière autour de la poulie arrière et entre les deux poulies sur le bras de renvoi. Le côté en V de la courroie doit être en phase avec les rainures des poulies en V.

## INSTALLER L'AXE D'ATTELAGE

### ÉTAPE 58 : (VOIR LA FIGURE 54)

- Soulever l'avant de la souffleuse afin d'aligner les trous des plaques de montage aux trous des plaques latérales. Insérer l'axe d'attelage dans les trous à partir du côté gauche du tracteur. Verrouiller avec la goupille fendue de 1/8 po. (EE).

## INSTALLER LA COURROIE DE TENSION DE LA TARIÈRE

### ÉTAPE 59 : (VOIR LA FIGURE 57)

- Tirer la chaîne de tension jusqu'à ce que l'extrémité du ressort passe à travers le trou sur le côté de l'ensemble embrayage et galet tendeur. Mettre la goupille fendue de 1/8 po. (EE) à travers l'extrémité du ressort, la verrouillant à l'extérieur de l'ensemble embrayage et galet tendeur.

**IMPORTANT:** Pour que la tension de la chaîne soit correcte, la goupille fendue de 1/8 po. doit être attachée à l'extrémité du ressort, et non pas à la chaîne.

**REMARQUE:** Pour éviter que la chaîne traîne sur le sol, passer son extrémité à travers l'axe de blocage du pivot. Se référer à la figure 45 à la page 21.

## FIXER LES CATADIOPTRES AU GARDE-BOUE ARRIÈRE

### ÉTAPE 59 : (VOIR LA FIGURE 58)

- Si le tracteur n'est pas équipé de catadioptre arrière, assembler les catadioptres arrière (KK) fournis au garde-boue arrière. Placer les catadioptres aussi près que possible du bas du garde-boue et aussi éloigné l'un de l'autre que le permet la forme du garde-boue.

## LISTE DE VÉRIFICATIONS À EFFECTUER AVANT D'UTILISER LA SOUFFLEUSE

Avant d'utiliser la souffleuse à neige, revoir la check-list suivante afin de s'assurer que la souffleuse sera la plus performante possible.

1. Toutes les instructions de montage doivent avoir été suivies et les boulons et écrous doivent être serrés correctement.
2. Vérifier la courroie du moteur et la courroie de la tarière. S'assurer qu'elles sont acheminées correctement autour des poulies et à l'intérieur de toutes les gâches de courroie.
3. Vérifier la bonne rotation de la goulotte d'éjection de la décharge.
4. Vérifier le fonctionnement de la commande d'inclinaison pour la goulotte d'éjection supérieure.
5. Vérifier si la poignée d'élévation se bloque et se débloque en position élevée pour le transport. (Se référer à la section Service et réglages.)
6. Vérifier le réglage des patins. (Se référer à la section Service et réglages.)

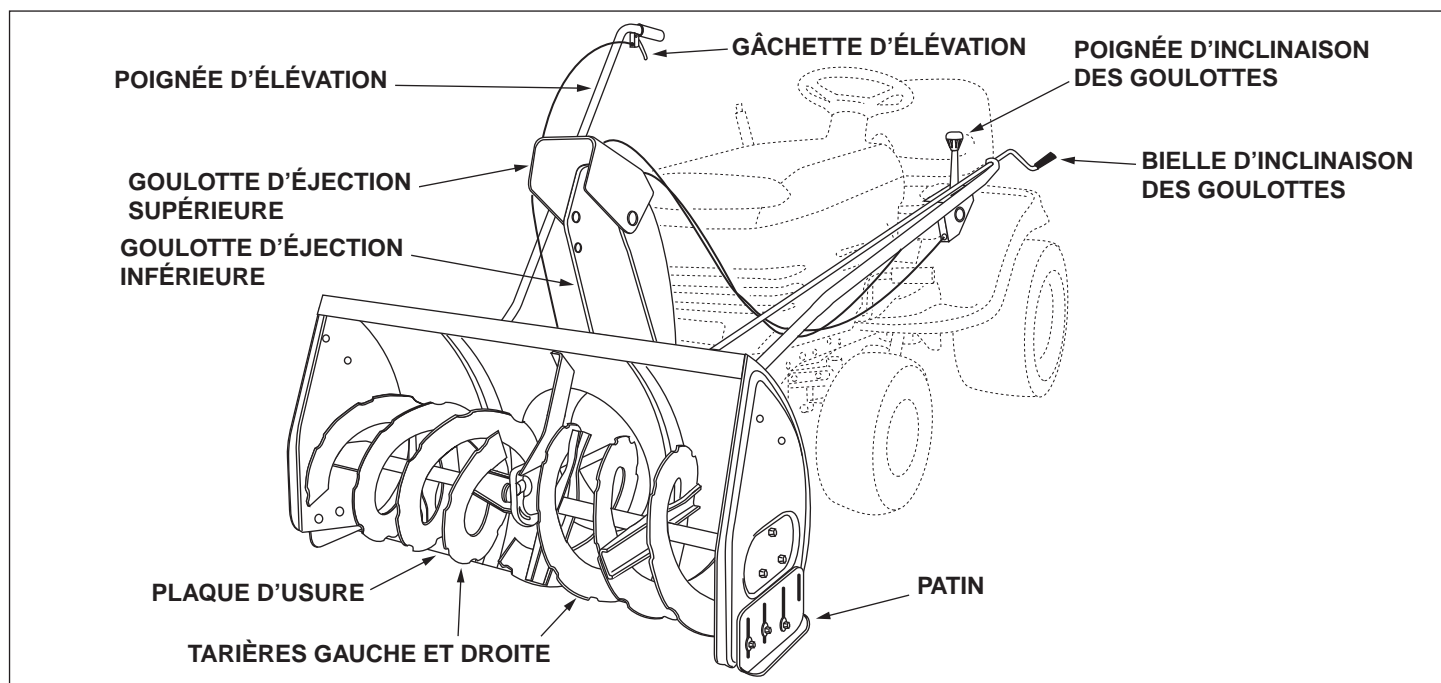
Les instructions d'utilisation commencent à la page 48.

# UTILISATION

## BIEN CONNAÎTRE LA SOUFFLEUSE

Lire ce manuel du propriétaire et les règles de sécurité avant d'utiliser la souffleuse.

Comparer l'illustration ci-dessous avec la souffleuse afin de se familiariser avec les diverses commandes et leurs emplacements.



### POIGNÉE D'INCLINAISON DE LA GOULOTTE D'ÉJECTION

Pivote la goulotte d'éjection vers le haut ou vers le bas pour contrôler l'angle et la distance de l'éjection.

**BIELLE D'INCLINAISON DES GOULOTTES** Fait tourner les goulottes d'éjection supérieure et inférieure afin de contrôler la direction de l'éjection.

**POIGNÉE D'ÉLEVATION** Sert à lever ou à baisser la souffleuse pendant le transport ou l'utilisation.

**GÂCHETTE D'ÉLEVATION** Libère le verrou qui maintient la souffleuse en position de transport.

### GOULOTTE D'ÉJECTION SUPÉRIEURE ET INFÉRIEURE

Contrôle la direction et la hauteur de l'éjection de neige.

**PLAQUE D'USURE** Plaque remplaçable qui s'use et absorbe les impacts à la suite du contact avec le sol.

**PATIN** Contrôle l'espace libre entre la plaque d'usure et le sol.

**TARIÈRES GAUCHE ET DROITE** Alimentent en neige le ventilateur de la turbine au centre du carter.

## AVANT DE COMMENCER

- Reportez-vous à la fin de la Liste de vérifications à effectuer avant d'utiliser la souffleuse pour vérifier si les instructions ont été correctement suivies.
- S'assurer que les patins sont réglés de manière à maintenir un espace libre adéquat avec le sol entre la souffleuse et le type de surface à déblayer. (Se référer à la section Service et réglages).
- S'assurer que l'huile du moteur du tracteur est bien celle qu'on utilise en hiver (SAE 5W-30). Se référer au manuel du tracteur.

## COMMENT FAIRE DÉMARRER LA SOUFFLEUSE

- Le moteur du tracteur à l'arrêt doit tourner à fond. Mettre l'embrayage en position engagée, en démarrant la souffleuse avant d'engager l'embrayage du tracteur.

## COMMENT ARRÊTER LA SOUFFLEUSE

- Pour arrêter la souffleuse, désengager le levier d'embrayage du tracteur pour les embrayages manuels ou le bouton d'embrayage pour les embrayages électriques. Se référer au manuel du tracteur.

## COMMENT UTILISER LA SOUFFLEUSE



**AVERTISSEMENT: Ne jamais** diriger l'éjection en direction de passants ou de fenêtres. Interdire à toute personne de se mettre devant l'unité.

## CONTRÔLER L'ÉJECTION DE LA NEIGE

- Pour contrôler la direction dans laquelle la neige est projetée, la goulotte d'éjection de la décharge a une rotation de 180 degrés. Tourner la bielle d'inclinaison des goulottes dans le sens des aiguilles d'une montre pour faire tourner la goulotte vers la droite. Tourner la bielle d'inclinaison des goulottes dans le sens contraire des aiguilles d'une montre pour faire tourner la goulotte vers la gauche.
- Pour contrôler la distance à laquelle la neige est projetée, la section supérieure de la goulotte d'éjection de la décharge pivote vers le haut et vers le bas. Pousser la poignée d'inclinaison des goulottes afin de pivoter la goulotte d'éjection vers le bas, diminuant ainsi la distance à laquelle la neige est projetée. Tirer la poignée pour faire pivoter la goulotte vers le haut, augmentant ainsi la distance à laquelle la neige est projetée.



## LEVER ET BAISSER

- Pour lever, appuyer sur la poignée d'élévation jusqu'à ce que la souffleuse se bloque en position de transport élevée.
- Pour baisser, appuyer légèrement sur la poignée d'élévation et tirer la gâchette. La gâchette étant tirée, baisser lentement la souffleuse jusqu'à ce qu'elle atteigne le sol.



**AVERTISSEMENT:** Ne pas utiliser la souffleuse sans les masses d'équilibrage à l'arrière du tracteur pour obtenir une traction et une stabilité supplémentaires.

## ENLEVER LA NEIGE

Les conditions de déblayage varient beaucoup, la neige pouvant être légère, ou lourde et mouillée. Les instructions d'utilisation doivent être assouplies pour s'adapter aux circonstances. Le conducteur doit adapter la tondeuse autoportée et la souffleuse à la profondeur de la neige, la direction du vent, la température et les conditions de surface.

- Avant d'utiliser la souffleuse, bien inspecter le lieu et enlever les paillasons, les luges, les planches, les fils de fer et tout autre corps étranger.
- La vitesse de la tarière en spirale est directement liée à la vitesse du moteur. Pour enlever et éjecter le maximum de neige, maintenir une rpm élevée (accélérer à fond). Il est conseillé d'utiliser la tondeuse autoportée à une vitesse au sol plus lente (première vitesse) pour enlever la neige en toute sécurité et avec efficacité.
- Quand la neige est profonde, forme des congères ou s'amoncelle, il faut accélérer à fond à une faible vitesse au sol (première vitesse). Avancer dans la neige, appuyer sur la pédale de frein de l'embrayage du tracteur et laisser la tarière déblayer la neige. Répéter cette méthode jusqu'à ce qu'un chemin soit ouvert. Lors du second passage, chevaucher suffisamment sur le premier pour permettre à la souffleuse de traiter la neige en évitant de s'arrêter et de redémarrer trop souvent.

- Quand la neige est extrêmement profonde, soulever la souffleuse du sol pour enlever la couche supérieure et n'avancer que jusqu'à ce que les pneus avant du tracteur atteignent la couche inférieure de la neige qui n'a pas encore été nettoyée. Appuyer sur la pédale de frein de l'embrayage et laisser la tarière déblayer la neige. Reculer le tracteur et abaisser la souffleuse au sol. Faire avancer le tracteur jusqu'à ce que la neige devienne à nouveau trop profonde. En répétant ce processus d'aller et venue, même les amas de neige les plus profonds finiront par être déblayés.
- Si la souffleuse est bloquée par de la neige ou coincée par un corps étranger, débrayer immédiatement la souffleuse et éteindre le moteur du tracteur. Déboucher la souffleuse avant de l'utiliser à nouveau.



**AVERTISSEMENT:** Éteindre le moteur et débrayer la souffleuse avant de déboucher la goulotte d'éjection de la décharge. Déboucher avec un bout de bois, jamais avec les mains.

## CONSEILS PRATIQUES D'UTILISATION

- Éjecter la neige dans le sens du vent, si possible.
- Attendre que la souffleuse soit à la température extérieure avant de s'en servir, de manière à éviter que la neige colle à la souffleuse. Une légère couche de cire peut également être appliqué à l'intérieur de la surface du carter de la souffleuse et de la goulotte d'éjection de la décharge.
- Mettre des chaînes antidérapantes pour améliorer la traction.
- Mettre des masses d'équilibrage aux roues arrière pour améliorer la traction.
- Avant la première chute de neige, enlever toutes les pierres, les bouts de bois et les autres objets que la neige pourrait cacher. Les obstacles permanents devraient être marqués pour assurer leur visibilité.
- Chevaucher légèrement sur le passage précédent pour enlever complètement la neige.

# ENTRETIEN

## RESPONSABILITÉS DU CLIENT

- Inscrivez les dates au fur et à mesure que vous effectuez l'entretien.

PLANNING D'ENTRETIEN Completar las fechas cuando haga las operaciones de mantenimiento	Dates des opérations d'entretien											
	Avant chaque utilisation	Après chaque utilisation	Chaque saison	Avant rangement								
Vérifier si tout est bien attaché	X											
Vérifier l'usure de la plaque et des patins	X			X								
Nettoyage				X								
Section lubrification			X									

## LUBRIFICATION

- Huiler tous les points de pivot sur la souffleuse.
- Huiler tous les points de pivot sur les deux bras de renvoi de l'ensemble embrayage et galet tendeur.
- Mettre de l'huile pénétrante sur les câbles de commande de la goulotte d'éjection de la décharge.
- Appliquer un vaporisateur lubrifiant de bonne qualité sur la gâchette et le mécanisme de la commande d'inclinaison de la goulotte d'éjection.

## VÉRIFIER L'USURE DE LA PLAQUE ET DES PATINS

(Se référer aux figures 59 et 60 à la page 50)

- La plaque d'usure et les patins au bas de la souffleuse peuvent s'user. Pour éviter d'endommager le carter de la tarière, remplacer la plaque d'usure et les patins avant qu'ils soient trop usés.

# ENTRETIEN ET RÉGLAGES



**AVERTISSEMENT:** Avant de procéder à l'entretien ou au réglage de la souffleuse, arrêter le moteur, enlever le ou les fils de bougies d'allumage, serrer le frein à main et retirer la clé de contact du tracteur.

## REEMPLACER LA COURROIE DE LA TARIÈRE

- Débrayer l'embrayage du tracteur.
- Abaisser la souffleuse au sol.
- Retirer l'axe d'attelage.
- Bloquer la poignée d'élévation de la souffleuse en position basse pour diminuer la tension de la courroie.
- Relâcher le ressort de tension du bras de renvoi de la courroie de la tarière au bas de l'ensemble embrayage et galet tendeur.
- Enlever la courroie du mécanisme d'entraînement de la tarière de l'ensemble embrayage et galet tendeur et du carter de la tarière.
- Monter la nouvelle courroie au dessus du haut de la grande poulie du mécanisme d'entraînement de la tarière et sous les galets tendeurs de chaque côté. Tourner la courroie d'un 1/4 de tour pour placer la partie en V de la courroie dans la rainure de chaque galet tendeur. Se référer à la figure 55 à la page 24.
- Assembler la courroie sur l'ensemble embrayage et galet tendeur.

## RÉGLER LES PATINS

- Les patins sont montés de chaque côté du carter de la tarière. Ils règlent la distance d'élévation de la plaque d'usure au dessus de la surface de déblaiement. Il est conseillé de maintenir la plaque d'usure le haut possible de la surface pour éviter d'endommager la spirale de la tarière quand on déblaie un chemin avec des graviers ou une surface inégale. Maintenir la plaque d'usure aussi proche que possible du sol sur les surfaces goudronnées ou en béton.
- Soulever la souffleuse du sol et placer un bloc sous les deux extrémités de la plaque d'usure. Desserrer les six écrous hexagonaux retenant les patins au carter. Régler les deux patins vers le haut ou vers le bas et resserrer les écrous soigneusement. Régler les deux patins à la même hauteur pour que le carter et la plaque d'usure soit au même niveau. Voir la figure 59.

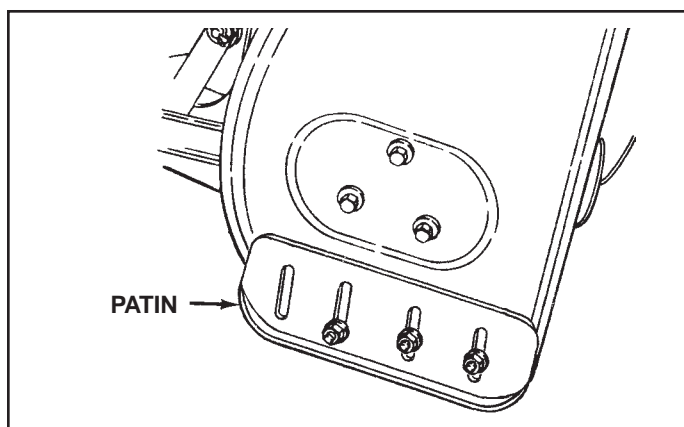


FIGURE 59

## RÉGLER LE CÂBLE DE LA GÂCHETTE D'ÉLÉVATION

- Si la barre d'élévation ne bloque pas en toute sécurité la souffleuse en position de transport, faire plusieurs tours pour desserrer l'écrou hexagonal supérieur sur le support du bras d'élévation et serrer l'écrou hexagonal inférieur. Se référer à la figure 48 à la page 22.
- Si la barre d'élévation ne se débloque pas complètement pour abaisser la souffleuse, faire plusieurs tours pour desserrer l'écrou hexagonal inférieur sur le bras d'élévation et serrer l'écrou hexagonal supérieur. Se référer à la figure 48 à la page 22.

## RÉGLER LE DÉBRAYAGE DE L'EMBRAYAGE

**(Uniquement pour les tracteurs équipés d'embrayage avec biellette de mise en prise. Ne concerne pas les embrayages électriques ou à câble).**

Si la tarière de la souffleuse ne s'arrête pas lorsque le levier d'embrayage du tracteur est débrayé, un réglage est nécessaire. Suivre la méthode suivante. Se référer de nouveau à la figure 33 à la page 17.

- Placer le levier d'embrayage en position de débrayage.
- Retirer la goupille fendue du tourillon de la biellette de mise en prise et soulever le tourillon du trou dans le bras de renvoi.
- Tourner plusieurs fois le tourillon vers l'extrémité avant de la biellette.
- Replacer le tourillon dans le trou du bras de renvoi et bien le fixer avec la goupille fendue. Vérifier le fonctionnement de la souffleuse. Si les tarières ne s'arrêtent toujours pas, répéter les étapes ci-dessus jusqu'à ce qu'elles s'arrêtent quand le levier d'embrayage est en position de débrayage.

## TARIÈRES

- Les tarières sont fixées fermement à l'arbre de tarière à l'aide de deux boulons de cisaillement et des écrous mécaniques de sécurité. La souffleuse est conçue de manière à ce que les boulons se cassent si la souffleuse touche un corps étranger ou si de la glace coince les tarières.
- Si les tarières ne tournent pas, vérifier si les boulons de cisaillement se sont cassés. Voir la figure 60. Deux boulons de cisaillement et deux écrous mécaniques de sécurité de remplacement sont fournis avec la souffleuse. En prévision, commander les pièces no. 710-0890A pour les boulons de cisaillement et les pièces no. 47810 pour les écrous mécaniques de sécurité.

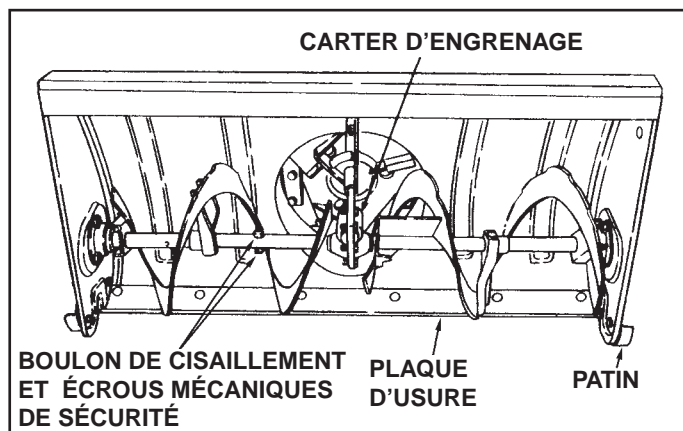


FIGURE 60

# RANGEMENT

## CONSEILS DE RANGEMENT

- Abaisser la souffleuse au sol.
- Enlever la souffleuse du tracteur.
- Nettoyer rigoureusement la souffleuse. Laver tout dépôt de sel qui aurait pu sécher sur la souffleuse et le carter.
- Les parties métalliques où la peinture est manquante doivent être repeintes ou recouvertes d'une huile légère pour éviter la rouille.
- Ranger dans un endroit sec.

## ENLEVER LE CARTER DE LA TARIÈRE

- Abaisser la souffleuse au sol.
- Retirer l'axe d'attelage. Voir la figure 54 à la page 24.
- Bloquer la poignée d'élévation de la souffleuse en position basse pour diminuer la tension de la courroie.
- Relâcher le ressort de tension du bras de renvoi de la courroie de la tarière au bas de l'ensemble embrayage et galet tendeur.
- Enlever la courroie du mécanisme d'entraînement de la tarière de l'ensemble embrayage et galet tendeur et du carter de la tarière. Voir la figure 56 à la page 24.
- Retirer du tracteur le carter de protection de la tarière. tractor.

## PIÈCES À ENLEVER À LA FIN DE LA SAISON

- Retirer l'ensemble embrayage et galet tendeur. (Les deux supports suspendus et les deux boulons à épaulement peuvent rester attachés au châssis du tracteur.)
- Enlever la courroie du mécanisme d'entraînement de la poulie du moteur.
- Si la gâche de la poulie du moteur est remplacé sur un tracteur à embrayage manuel, réinstaller la gâche de la poulie du moteur d'origine du tracteur. Voir la figure 33 à la page 17 ou la figure 39 à la page 19.
- Si l'embrayage fonctionne avec un levier, enlever la biellette de mise en prise du bras de l'embrayage du tracteur. Voir la figure 29 à la page 16.
- Si un dispositif monté à l'arrière doit être utilisé, enlever le plateau de lestage à l'arrière, laissant les boulons mis sur les côtés de la barre d'attelage du tracteur. Resserrer les boulons.
- Si un dispositif monté à avant doit être utilisé, enlever les plaques latérales du tracteur. Ne pas oublier de remettre les boulons dans les trous vides du châssis du tracteur. bolts back into the empty holes in the tractor frame.

# DÉPANNAGE

PROBLÈME	CAUSE	CORRECTION
Les tarières ne tournent pas.	<ol style="list-style-type: none"> <li>1. La courroie en V supérieure ou inférieure est trop détendue.</li> <li>2. La courroie en V supérieure ou inférieure est cassée.</li> <li>3. Les boulons de cisaillement sont cassés.</li> </ol>	<ol style="list-style-type: none"> <li>1. Augmenter la tension de la courroie en V.</li> <li>2. Remplacer la courroie en V.</li> <li>3. Remplacer les boulons de cisaillement.</li> </ol>
La goulotte d'éjection est bougée.	<ol style="list-style-type: none"> <li>1. La vitesse au sol du tracteur est trop rapide.</li> <li>2. L'accélération du tracteur est réglée trop bas.</li> <li>3. La neige est trop profonde.</li> <li>4. La neige fond au contact de la souffleuse.</li> </ol>	<ol style="list-style-type: none"> <li>1. Passer le tracteur à la vitesse inférieure.</li> <li>2. Accélérer à fond.</li> <li>3. Soulever la souffleuse.</li> <li>4. Laisser la souffleuse se refroidir à la température extérieure avant de s'en servir.</li> </ol>
La souffleuse fait caler le moteur du tracteur.	<ol style="list-style-type: none"> <li>1. Objet coincé dans la tarière.</li> <li>2. Neige dure ou lourde.</li> </ol>	<ol style="list-style-type: none"> <li>1. Arrêter le moteur, débrayer l'embrayage de la souffleuse et nettoyer la tarière.</li> <li>2. Accélérer à fond et diminuer la vitesse au sol.</li> </ol>
Les roues avant glissent au lieu d'aller dans la bonne direction.	<ol style="list-style-type: none"> <li>1. La traction est insuffisante aux roues avant.</li> </ol>	<ol style="list-style-type: none"> <li>1. Augmenter l'espace libre de la plaque d'usure en abaissant les patins.</li> <li>2. Appuyer sur la poignée d'élévation pour augmenter le poids sur les roues avant.</li> </ol>
La souffleuse roule au-dessus de la neige.	<ol style="list-style-type: none"> <li>1. La vitesse au sol du tracteur est trop rapide.</li> <li>2. La couche inférieure de neige est glacée ou compactée.</li> </ol>	<ol style="list-style-type: none"> <li>1. Réduire la vitesse au sol.</li> <li>2. Abaisser les patins de manière à ce que l'avant des patins soit plus bas que l'arrière.</li> </ol>



# SICHERHEIT



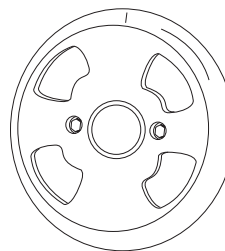
Jedwede motorbetriebene Gerätschaften können zu Verletzungen führen, wenn sie nicht ordnungsgemäß betrieben werden oder wenn der Benutzer nicht mit den Gerätschaften umzugehen weiß. Beim Umgang mit motorangetriebenen Geräten ist Vorsicht walten zu lassen.

- Lesen Sie diese Betriebsanleitung sorgfältig durch, so dass Sie über den Betrieb Ihrer Schneefräse Bescheid wissen und wissen, wie Sie das Gerät anhalten und die Steuerung rasch abtrennen können.
- Kindern ist es nicht erlaubt, dieses Gerät zu betreiben.
- Erwachsene dürfen dieses Gerät erst bedienen, nachdem sie entsprechend eingewiesen worden sind.
- Der Einsatzbereich ist von Personen, insbesondere Kleinkindern, sowie Tieren freizuhalten.
- Der Bereich, in dem die Schneefräse eingesetzt werden soll, ist gründlich zu inspizieren und alle Fußmatten, Schlitten, Bretter, Drähte und sonstigen Fremdojekte sind zu entfernen.
- Vor dem Starten des Motors müssen alle Kupplungen getrennt und in den Leerlauf geschaltet werden.
- Beim Betrieb des Geräts ist angemessene Winteroberbekleidung zu tragen.
- Es ist kräftiges Schuhwerk zu tragen, das die Füße schützt und den Halt auf schlüpfrigen Oberflächen verbessert.
- Vor dem Starten des Motors ist der Treibstoffstand zu prüfen. Solange der Motor läuft oder heiß ist, darf weder der Tankdeckel abgenommen noch der Benzintank befüllt werden. Der Benzintank darf nicht in geschlossenen Räumen befüllt werden. Benzin ist ein äußerst feuergefährlicher Treibstoff.
- Es ist sicherzustellen, dass die Höhe der Schneefräse so eingestellt ist, dass die Art der Oberfläche, auf der sie eingesetzt wird, geräumt wird.
- Die Schneefräse darf nur betrieben werden, wenn die Gewichte hinten am Traktor angebracht sind.
- Während der Motor läuft, dürfen keinerlei Justagen vorgenommen werden.
- Bei Betrieb, Justage und Reparatur ist immer eine Schutzbrille bzw. Augenschutz zu tragen.
- Hände und Füße dürfen nicht in der Nähe rotierender Teile platziert werden. Der Schusslinie der Auswurföffnung ist stets fernzubleiben.
- Beim Betrieb auf bzw. beim Überqueren von Kiesoberflächen ist äußerste Vorsicht walten zu lassen.
- Es dürfen keine Passagiere transportiert werden.
- Nach dem Aufprall auf ein Fremdojekt ist der Motor zu stoppen, das Zündkabel von der Kerze zu entfernen und die Schneefräse gründlich auf Schäden zu inspizieren. Vor dem erneuten Anwerfen und Betrieb der Schneefräse sind etwaige Schäden zu beheben.
- Falls die Schneefräse anfängt anomal zu vibrieren, ist der Motor sofort abzustellen und nach der Ursache dafür zu suchen. Im Allgemeinen ist Vibration ein Warnzeichen für Probleme.
- Der Motor ist immer dann abzustellen, wenn Sie die Betriebsstellung verlassen, eine Verstopfung der Schneefräse beseitigen oder etwaige Justagen bzw. Inspektionen vornehmen.
- Wenn das Gerät unbeaufsichtigt gelassen wird, sind alle nur denkbaren Vorsichtsmaßnahmen zu ergreifen. Der Zusatzgerätehebel bzw. -schalter ist loszukuppeln, die Schneefräse zu senken, in den Leerlauf zu schalten, die Handbremse anzuziehen, der Motor abzustellen und der Schlüssel zu entfernen.
- Zur Reinigung, Reparatur und Inspektion ist sicherzustellen, dass alle beweglichen Teile gestoppt haben. Um versehentliches Starten zu vermeiden, ist das Zündkabel abzuziehen und von der Kerze fernzuhalten.
- Außer wenn die Schneefräse in ein Gebäude hinein oder aus einem Gebäude heraus verbracht wird, darf der Motor nicht in geschlossenen Räumen betrieben werden. Die Außentüren öffnen. Abgase sind gefährlich.
- Hänge dürfen nicht quer geräumt werden. Beim Richtungswechsel an Hängen ist äußerste Vorsicht walten zu lassen. Jegliche Versuche, steile Hänge zu räumen, sind zu unterlassen. Siehe Gefälle-Schablone auf Seite 82 dieser Anleitung.
- Die Schneefräse darf nicht ohne Schutzbleche, Platten bzw. andere installierte Sicherheitsschutzvorrichtungen betrieben werden.
- Die Schneefräse darf in der Nähe von Glasanbauten, Automobilen, Kellerfensterschächten, Kellerschächten, usw. nur dann betrieben werden, wenn der Auswurfwinkel der Schneefräse entsprechend justiert worden ist.
- Der Auswurf darf weder auf Umstehende gelenkt werden, noch ist es Personen erlaubt, sich vor der Schneefräse aufzuhalten.
- Die Schneefräse darf nicht mit hoher Geschwindigkeit in (Räum-)Material eingefahren werden.
- Die Maschinenkapazität darf nicht durch den Versuch, zuviel Schnee zu schnell zu räumen, überlastet werden.
- Die Maschine darf nicht bei hoher Transportgeschwindigkeit auf schlüpfrigen Oberflächen betrieben werden. Beim Zurücksetzen nach hinten schauen und Vorsicht walten lassen.
- Beim Überqueren von bzw. Betrieb in der Nähe von Fahrbahnen auf den Verkehr achten und wachsam sein.
- Zum Transport bzw. wenn nicht im Einsatz, Stromversorgung zur Schneefräse trennen.
- Es dürfen nur vom Hersteller der Schneefräse zugelassene Zusatzgeräte und Zubehörteile (wie z.B. Radgewichte, Gegengewichte, usw.) verwendet werden
- Die Schneefräse darf nur bei guter Sicht und ausreichendem Licht betrieben werden.

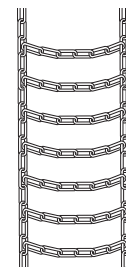
## WICHTIG:

Beim Einsatz dieser Schneefräse sind Radgewichte an den hinteren Rädern sowie Schneeketten zu verwenden, um zusätzliche Griffbarkeit und Stabilität zu erzielen. Diese sind dort erhältlich, wo Sie Ihren Traktor gekauft haben.

### RADGEWICHTE



### SCHNEEKETTEN



# ZUSAMMENBAU

## ZUM ZUSAMMENBAU ERFORDERLICHES WERKZEUG

- (2) 7/16" Schraubenschlüssel
- (2) 1/2" Schraubenschlüssel
- (2) 9/16" Schraubenschlüssel
- (2) 3/4" Schraubenschlüssel
- (1) Schraubendreher
- (1) Messer

## ZUSÄTZLICH ERFORDERLICHES MATERIAL

Schmierfett

## ENTNAHME DER TEILE AUS DEM KARTON

- Alle Teile und Kleinteilpackungen aus dem Karton entnehmen. Teile und Kleinteile auslegen und mit Hilfe der Illustrationen auf den Seiten 2 und 5 identifizieren.

**HINWEIS:** Für Ihren speziellen Traktor wird möglicherweise nur ein Teil der gelieferten Teile und Kleinteile benötigt. Nicht benötigte Komponenten können, nachdem Sie mit dem Zusammenbau fertig sind und den Betrieb des Gerätes überprüft haben, entsorgt werden. **ENTSORGEN SIE KEINESFALLS** die zwei Reservescherbolzen (N) und 5/16" Sechskantmutter mit Klemmteil (Y). Siehe Abschnitt "Wartung und Justage" auf Seite 61.

**ACHTUNG:** Zündkabel vor dem Zusammenbau der Schneefräse entfernen, Handbremse anziehen und den Schlüssel von der Zündung des Traktors abziehen.

## VORBEREITUNG DES TRAKTORS

Vor der Ausführung der vorliegenden Anweisungen, schlagen Sie bitte die entsprechenden Sicherheitshinweise im Abschnitt "Wartung und Justage" der Anleitung zu Ihrem Traktor nach.

- Bevor mit der Arbeit begonnen werden kann, müssen der Motor, der Schalldämpfer und das Auspuffrohr erst abkühlen.
- Jegliche vorne oder hinten an Ihrem Traktor montierten Zusatzgeräte sind zu entfernen.
- Die Mähvorrichtung ist zu entfernen. Anweisungen zur Demontage finden sich in der Bedienungsanleitung zu Ihrem Traktor. Alle losen Teile kennzeichnen und zum Wiederzusammenbau aufbewahren.
- Die Haube des Traktors entfernen. Anweisungen zur Demontage finden sich in der Bedienungsanleitung zu Ihrem Traktor.

**WICHTIG:** Die Angaben "rechts" und "links" sind aus Sicht des auf dem Traktor sitzenden Bedieners zu betrachten.

## IDENTIFIZIEREN SIE IHREN TRAKTOR

### 1. SCHRITT: (SIEHE ABBILDUNG 1)

- Schauen Sie vorne unter Ihrem Traktor nach. Falls sich dort nur eine einzelne Mähvorrichtungsaufhängungshalterung unter der Mitte der Vorderachse befindet, mit dem 2. Schritt fortfahren. Falls Ihr Traktor keine Mähvorrichtungsaufhängungshalterung unter der Mitte der Vorderachse hat, mit dem 21. Schritt auf Seite 55, für Traktoren mit Doppelaufhängungshalterungen, fortfahren.

## ANLEITUNG FÜR TRAKTOREN MIT EINZELNER VORDERER VORRICHTUNGS-AUFHÄNGUNGSHALTERUNG

### 2. SCHRITT: (SIEHE ABBILDUNG 2)

- Den Schutzschild, wie gezeigt, vorne vom Traktor abnehmen. Den Schutzschild festhalten, während Sie die zweite Schraube entfernen, so dass er nicht herunterfällt.

- Daran denken, den Schutzschild wieder zu installieren, sobald dies im 3. Schritt gefordert wird.

## SEITENPLATTEN INSTALLIEREN

### 3. SCHRITT: (SIEHE ABBILDUNG 3)

- Die rechte Seitenplatte (Biegung nach außen zeigend) mit Hilfe der drei 3/8" x 1" Schlossschrauben (G), drei 1/2" Unterlegscheiben (R) (siehe Hinweis) und drei 3/8" Flanschkappen (X) an den vorderen drei Löchern im Rahmen des Traktors befestigen. Für das hintere Loch, eine 5/16" x 1" Schlossschraube (J), eine 1/2" Unterlegscheibe (R) und eine 5/16" Sechskantmutter mit Klemmteil (Y) verwenden. Die 1/2" Unterlegscheiben (R) sind zwischen dem Rahmen des Traktors und der Seitenplatte zu platzieren. Entsprechend für die linke Seitenplatte wiederholen.
- Den Schutzschild unter Verwendung der Originalschrauben wieder am Rahmen des Traktors anbringen.

**HINWEIS:** Sofern eine Motorhalterungsplatte (mittels gestrichelter Linien dargestellt) vorhanden ist, ist die 1/2" Unterlegscheibe von der Schraube, die durch die Platte geht, wegzulassen.

## SIEHE HINWEIS

### 4. SCHRITT: (SIEHE ABBILDUNG 4)

- Eine Gelenkschraube (L) und eine 3/8" Unterlegscheibe (T) an der Außenseite der rechten Seitenplatte anbringen und mit einer 3/8" Flanschkappe (X) sichern. Entsprechend für die linke Seitenplatte wiederholen.

## HÄNGERHALTERUNGEN UND GELENKSCHRAUBEN AN DER AUßENSEITE DES RAHMENS ANBRINGEN

### 5. SCHRITT: (SIEHE ABBILDUNG 5)

- Sofern vorhanden, ist die Schraube im Loch direkt hinter der Bremsstange auf der linken Seite des Rahmens des Traktors zu entfernen.
- Die linke Hängerhalterung (Rohr nach außen zeigend) mit Hilfe einer selbstschneidenden 5/16" x 3/4" Schraube (F) an dem Loch anbringen.
- In dem Loch, das sich 24 cm rückwärtig von der gerade installierten Schraube befindet, eine Rundkopfgelenkschraube (M) anbringen. Diese mit einer 3/8" Flanschkappe (X) an der Innenseite des Rahmens sichern.

### 6. SCHRITT: (SIEHE ABBILDUNG 6)

- Sofern vorhanden, die Halterung von dem Loch, das sich direkt hinter dem Ende der Bremsstange auf der rechten Seite des Rahmens des Traktors befindet, entfernen. Halterung und Schraube aufbewahren.
- Die rechte Hängerhalterung mit Hilfe einer selbstschneidenden 5/16" x 3/4" Schraube (F) an dem Loch anbringen.
- In dem Loch, das sich 24 cm rückwärtig von der gerade installierten Schraube befindet, eine Rundkopfgelenkschraube (M) anbringen. Diese mit einer 3/8" Flanschkappe (X) an der Innenseite des Rahmens sichern.

## DIESER ABSCHNITT BEZIEHT SICH AUF TRAKTOREN MIT EINER MANUELLEN ZUSATZGERÄTEKUPPLUNG

Falls Ihr Traktor eine elektrische Zusatzgerätekupplung hat, mit dem 14. Schritt auf Seite 54 fortfahren.

### 7. SCHRITT: (SIEHE ABBILDUNG 7)

- Die Riemenscheibe (mit dem langen Ende der Nabe nach unten zeigend) und das große Distanzstück (MM) an dem in der Baugruppe Kupplung/Umlenkrolle gezeigten Loch anbringen. Eine 3/8" x 3-1/4" Sechskantschraube (A), ein 3/8" Unterlegscheibe (T), eine 3/8" Sicherungsscheibe (O) und eine 3/8" Sicherungssechskantmutter (Z) verwenden.

### 8. SCHRITT: (SIEHE ABBILDUNG 8)


- Die zwei Aufhängungsarme unter Verwendung von zwei 5/16" x 3/4" Sechskantschrauben (C) und 5/16" Sechskantmutter mit Klemmteil (Y) pro Arm am hinteren Teil der Baugruppe Kupplung/Umlenkrolle anbringen. Die Arme mit nach hinten zeigenden Aussparungen auf der Außenseite des Rahmens platzieren.

### 9. SCHRITT: (SIEHE ABBILDUNG 9)

- Die Kabelkonsole unter Verwendung einer 5/16" x 3/4" Schlossschraube (K) und einer 5/16" Sechskantmutter mit Klemmteil (Y) an dem in der Baugruppe Kupplung/Umlenkrolle gezeigten Schlitz anbringen. Die Schraube in das vordere Loch der Halterung und am Ende des Schlitzes, der sich am nächsten zur Riemenschleife befindet, platzieren. Noch nicht anziehen.

### 10. SCHRITT: (SIEHE ABBILDUNG 10)

- Ihrer Schneefräse sind zwei unterschiedlich lange Keilriemen beigelegt. Traktoren, die mit manuellen Zusatzgerätekupplungen und einzelnen vorderen Vorrichtungsaufhängungshalterungen ausgestattet sind, verwenden den 56" (142 cm) Keilriemen, der auf der Außenseite des Riemens mit dem Aufdruck #48138 versehen ist. KEINESFALLS den anderen Riemen verwenden.
- Die neben der flachen Riemenspannrolle gelegene Sechskantschraube leicht lösen. Den Keilriemen zwischen der Sechskantschraube und der flachen Riemenspannrolle einlegen, wobei die flache Seite des Riemens an der Scheibe anliegt. Die Sechskantschraube wieder anziehen.
- Den Riemen um die große V-Riemenscheibe legen, wobei dieser zwischen der Riemenscheibe und der neben der Riemenscheibe befindlichen Sechskantschraube platziert wird. Den Riemen an der Innenseite der anderen flachen Riemenspannrolle platzieren.



Haben Sie den für Ihren Traktor korrekten Keilriemen gewählt? Bei Verwendung des falschen Keilriemens, kann es zu vorzeitigen Lager- und Riemenschäden kommen.

### 11. SCHRITT: (SIEHE ABBILDUNG 11)

- Den Zusatzgerätekupplungshebel auf dem Armaturen Brett in die entkuppelte Stellung (unten) bringen.
- Die Baugruppe Kupplung/Umlenkrolle auf der linken Seite des Traktors auf dem Boden platzieren.
- Das Kupplungskabel des Traktors an der Kabelkonsole anbringen. Die Kabelgehäuseführung (mit der Nut nach unten weisend) unter Verwendung des Originalkragens und eines 5/64" Haarnadelsplints (DD) an der Kabelkonsole befestigen.
- Eine Unterlegscheibe (LL) auf dem geschweißten Stift des Riemenspannarms platzieren. Das Ende der Kupplungskabelfeder über den Stift haken und es mit einer 1/4" Unterlegscheibe (P) und einem 5/64" Haarnadelsplint (DD) sichern.
- Die Kabelkonsole mit dem geschweißten Stift ausrichten und die im 9. Schritt angebrachte Mutter anziehen.

### BAUGRUPPE KUPPLUNG/UMLENKROLLE AM TRAKTOR ANBRINGEN

### 12. SCHRITT: (SIEHE ABBILDUNG 12)

- Die Baugruppe Kupplung/Umlenkrolle am Rahmen des Traktors anbringen. Die mit Aussparungen versehenen Aufhängungsarme auf den an der Außenseite des Rahmens des Traktors angebrachten beiden Gelenkschrauben (M) einhaken. Die Vorderseite der Baugruppe anheben und sie unter Verwendung von zwei Schwenksteckbolzen (GG) und 1/8" Haarnadelsplinten (EE) an der rechten und linken Aufhängerhalterung anbringen.

### 13. SCHRITT: (SIEHE ABBILDUNG 13)

- Den Keilriemen zuerst auf der Motorrolle anbringen und dann auf der großen Rolle oben auf der Baugruppe Kupplung/Umlenkrolle. Der Riemen muss innerhalb der Keilriemenhalter und zwischen der großen Rolle und dem daneben befindlichen Haltebolzen platziert werden.

**WICHTIG:** Keinesfalls den "V"-Riemen außerhalb der Keilriemenhalter oder außerhalb der neben der großen Rolle befindlichen Haltebolzen entlang führen.

- Mit dem 48. Schritt auf Seite 57 fortfahren.

### DIESER ABSCHNITT BEZIEHT SICH AUF TRAKTOREN MIT EINER ELEKTRISCHEN ZUSATZGERÄTEKUPPLUNG

### 14. SCHRITT: (SIEHE ABBILDUNG 14)

- Die zwei Aufhängungsarme unter Verwendung von zwei 5/16" x 3/4" Sechskantschrauben (C) und 5/16" Sechskantmutter mit Klemmteil (Y) pro Arm am hinteren Teil der Baugruppe Kupplung/Umlenkrolle anbringen. Die Arme mit nach hinten zeigenden Aussparungen auf der Außenseite des Rahmens platzieren.

### 15. SCHRITT: (SIEHE ABBILDUNG 15)

- Die Baugruppe Kupplung/Umlenkrolle auf den Kopf stellen und die Extraspannkette (JJ) durch das linke vordere Loch führen.

### ABBILDUNG 16 VON UNTEN BETRACHTET

### 16. SCHRITT: (SIEHE ABBILDUNG 16)

- Ein Ende der dem Teilebeutel beigelegten Feder durch das Endglied der Spannkette haken.
- Bei auf den Kopf gestellter Baugruppe Kupplung/Umlenkrolle, das andere Ende der Feder auf das Ende der Schraube und der Mutter haken, die die Riemenspannrolle auf dem oberen Riemenspannarm halten. Eine 3/8" Sicherungssechskantmutter (Z) auf der Schraube und Mutter anbringen, wobei genügend Platz zwischen den Muttern bleiben muss, dass die Feder frei schwenken kann.
- Einen 3/32" Haarnadelsplint (FF) auf der Kette anbringen und zwar auf dem fünften Glied von der Feder aus platziert.

### AUSWAHL DES KORREKTEN KEILRIEMENS

(Traktoren mit elektrischer Kupplung mit einer einzelnen vorderen Vorrichtungsaufhängungshalterung)

### 17. SCHRITT: (SIEHE TABELLE 1)

- Ihrer Schneefräse sind zwei unterschiedlich lange Keilriemen beigelegt. Verwenden Sie die folgende Tabelle, um den korrekten Keilriemen für Ihre Art Traktor auszuwählen. Die Teilenummer ist auf der Außenseite des Riemens aufgedruckt.
- Den Riemen, der nicht für Ihren Traktor geeignet ist, beiseite legen, so dass er nicht versehentlich verwendet wird.

55"/140 cm RIEMEN (TEILE-NR. 46989)		
ART DES TRAKTORS	GRÖSSE DER MÄHVORRICHTUNG	ART DER KUPPLUNG
(RT) Rasentraktor	38" (96 cm), 42" (106 cm)	elektrisch
56"/142 cm RIEMEN (TEILE-NR. 48138)		
ART DES TRAKTORS	GRÖSSE DER MÄHVORRICHTUNG	ART DER KUPPLUNG
(RT) Rasentraktor	48", (122 cm)	elektrisch
(GT) Gartentraktor	48" (122 cm), 54" (137 cm)	elektrisch

### 18. SCHRITT: (SIEHE ABBILDUNG 17)

- Die zuvor kopfüber gedrehte Baugruppe Kupplung/Umlenkrolle wieder richtig herum drehen.
- Die neben der flachen Riemenspannrolle gelegene Sechskantschraube leicht lösen. Den Keilriemen zwischen der Sechskantschraube und der flachen Riemenspannrolle einlegen, wobei die flache Seite des Riemens an der Scheibe anliegt. Die Sechskantschraube wieder anziehen.

- Den Riemen um die große V-Riemenscheibe legen, wobei dieser zwischen der Riemenscheibe und der neben der Riemenscheibe befindlichen Sechskantschraube platziert wird.



Haben Sie den für Ihren Traktor korrekten Keilriemen gewählt? Bei Verwendung des falschen Keilriemens, kann es zu vorzeitigen Lager- und Riemenschäden kommen.

#### 19. SCHRITT: (SIEHE ABBILDUNG 18)

- Die Baugruppe Kupplung/Umlenkrolle am Rahmen des Traktors anbringen. Die mit Aussparungen versehenen Aufhängungsarme auf den an der Außenseite des Rahmens des Traktors angebrachten beiden Gelenkschrauben (M) einhaken. Die Vorderseite der Baugruppe anheben und sie unter Verwendung von zwei Schwenksteckbolzen (GG) und 1/8" Haarnadelsplinten (EE) an der rechten und linken Aufhängerhalterung anbringen.

#### 20. SCHRITT: (SIEHE ABBILDUNG 19)

- Den Keilriemen zuerst auf der Motorrolle anbringen und dann auf der großen Rolle oben auf der Baugruppe Kupplung/Umlenkrolle. Den Riemen entlang der Innenseite der Umlenkrolle und des Riemenhaltebolzens, der sich neben der großen Rolle befindet, führen.
- Den Riemen durch Ziehen an der linksseitigen Spannkette (JJ) - so weit, wie es der in der Kette angebrachte 3/32" Haarnadelsplint erlaubt - spannen. Die Kette durch Einschieben eines 1/8" Haarnadelsplints (EE) in dieser Stellung arretieren.

**WICHTIG:** Keinesfalls den Keilriemen an der Außenseite des neben der großen Rolle befindlichen Haltebolzens entlang führen.

- Mit dem 48. Schritt auf Seite 57 fortfahren.

### ANLEITUNG FÜR TRAKTOREN MIT DOPPELTEN VORDEREN VORRICHTUNGS-AUFHÄNGUNGSHALTERUNGEN

#### SEITENPLATTEN AM TRAKTOR BEFESTIGEN

Falls Ihr Traktor Abbildung 20 ähnelt, mit dem 21. Schritt fortfahren.  
Falls Ihr Traktor Abbildung 22 ähnelt, mit dem 23. Schritt fortfahren.

#### 21. SCHRITT: (SIEHE ABBILDUNG 20)

- Schrauben aus den gezeigten vorderen drei Löchern entfernen.
- Falls im vierten Loch eine Schraube vorhanden ist, ist diese mit einer 5/16" x 1" Schlossschraube (J) ohne Mutter zu ersetzen. Die an der Innenseite des Rahmens angebrachte Halterung muss an Ort und Stelle verbleiben.

#### 22. SCHRITT: (SIEHE ABBILDUNG 21)

- Die rechte Seitenplatte (Biegung nach außen zeigend) mit Hilfe der drei 3/8" x 1" gewindeschneidenden Schrauben (E), drei 3/8" Sicherungsscheiben (O) und einer 1/2" Unterlegscheibe (R), die auf der dritten Schraube als Ausgleichsring zwischen der Seitenplatte und dem Rahmen platziert wird, an den vorderen drei Löchern im Rahmen des Traktors befestigen. Alle Schrauben anziehen. Entsprechend für die linke Seite wiederholen.

**HINWEIS:** Wenn Sie im 21. Schritt eine Schraube im vierten Loch angebracht haben, bringen Sie, nachdem die Seitenplatte installiert ist, eine 5/16" Flanschmutter (W) auf der Schraube an.

- Mit dem 25. Schritt auf dieser Seite fortfahren.

#### 23. SCHRITT: (SIEHE ABBILDUNG 22)

- Etwaig in den gezeigten Löchern vorhandene Schrauben sind zu entfernen.

#### 24. SCHRITT: (SIEHE ABBILDUNG 23)

- Die rechte Seitenplatte (Biegung nach außen zeigend) an den gezeigten drei Löchern im Rahmen des Traktors befestigen. Drei 3/8" x 1" gewindeschneidende Schrauben (E), 3/8" Sicherungsscheiben (O)

und 1/2" Unterlegscheiben (R) verwenden. Die 1/2" Unterlegscheiben als Ausgleichsringe zwischen der Seitenplatte und dem Rahmen des Traktors verwenden. Alle Schrauben anziehen und für die linke Seite wiederholen.

**HINWEIS:** Falls sich die Schraube frei beweglich in das vordere Loch einführen lässt, ist eine 3/8" Flanschmutter (X) auf der Schraube anzubringen.

#### 25. SCHRITT: (SIEHE ABBILDUNG 24)

- Eine Gelenkschraube (L) und eine 3/8" Unterlegscheibe (T) an der Außenseite jeder der Seitenplatten anbringen und mit einer 3/8" Flanschmutter (X) sichern.

### INSTALLATION DER HÄNGERHALTERUNGEN

Zwecks besseren Spielraums, die Aufhängungsarme unter Verwendung des Zusatzgeräteheberhebels absenken.

#### 26. SCHRITT: (SIEHE ABBILDUNG 25 bzw. 26)

##### An Traktoren mit Fußablagenhalterungen

- Die Schraube und Mutter, die die linke und rechte Fußrastenhalterung am Rahmen befestigen, entfernen.
- Die linke Hängerhalterung (mit "L" markiert) unter Verwendung zweier 3/8" x 1" Schlossschrauben (G) und 3/8" Flanschmutter (X) an der Innenseite des Rahmens des Traktors anbringen. Die Schraubenköpfe sind an der Innenseite des Rahmens des Traktors anzubringen. Entsprechend für die rechte Seite wiederholen.

##### An Traktoren ohne Fußablagenhalterungen

- Das leere Loch unterhalb der Fußablage ausfindig machen. Die linke Hängerhalterung (mit "L" markiert) unter Verwendung einer 3/8" x 1" Schlossschraube (G) und einer 3/8" Flanschmutter (X) an der Innenseite des Rahmens des Traktors anbringen. Der Schraubenkopf ist an der Innenseite des Rahmens des Traktors anzubringen. Entsprechend für die rechte Seite wiederholen.

### INSTALLATION DER GELENKSCHRAUBEN

#### 27. SCHRITT: (SIEHE ABBILDUNG 27)

- Die Schraube, Unterlegscheibe und Mutter, die die Schaukelbalkenhalterung an der linken Seite des Traktorrahmens halten, entfernen und durch eine Gelenkschraube (L) und eine 3/8" Flanschmutter (X) ersetzen. Die Schraube ist an der Innenseite des Rahmens anzubringen.

#### 28. SCHRITT: (SIEHE ABBILDUNG 28)

- Unter Verwendung des ersten leeren Lochs rückwärtig von der rechten Hängerhalterung, eine Gelenkschraube (L) und 3/8" Flanschmutter (X) an der rechten Seite des Traktorrahmens anbringen. Die Schraube ist an der Innenseite des Rahmens anzubringen.

### INSTALLATION DER BAUGRUPPE KUPPLUNG/ UMLENKROLLE

Dieser Abschnitt befasst sich mit der Installation der Baugruppe Kupplung/Umlenkrolle an Traktoren, die mit Zusatzgerätekupplungen ausgestattet sind, die entweder per Stange (S. 55), per Kabel (S. 56) oder elektrisch (S. 57) betrieben werden. Befolgen Sie bitte die für Ihren Traktor passende Anleitung.

### STANGENBEDIENTE MANUELLE ZUSATZGERÄTEKUPPLUNG

#### 29. SCHRITT: (SIEHE ABBILDUNG 29)

- Den Zusatzgerätekupplungshebel auf dem Armaturenbrett in die entkuppelte Stellung (unten) bringen.
- Den Zapfen (CC) auf das Ende der Schneefräseinerückstange aufschrauben.
- Den Kupplungsarm (an dem die Mäherkupplungsstange befestigt war) unter der rechten Seite des Traktors, etwas innerhalb vom Aufhängungsarm, ausfindig machen. Falls eine Verlängerung am Kupplungshebel angebracht ist, müssen Verlängerung, Schraube und Mutter entfernt und zusammen mit der Mähvorrichtung aufbewahrt werden.

**WICHTIG:** Die Verlängerung wieder am Kupplungshebel anbringen, bevor die Mähvorrichtung wieder installiert wird.

- Die Einrückstange an der Innenseite des Kupplungsarms positionieren und das durchbohrte Ende der Stange durch den Arm führen. Mit einem 5/64" Haarnadelsplint(DD) sichern.

### 30. SCHRITT: (SIEHE ABBILDUNG 30)

- Die zwei Aufhängungsarme unter Verwendung von zwei 5/16" x 3/4" Sechskantschrauben (C), 5/16" Unterlegscheiben (Q) und 5/16" Sechskantmutter mit Klemmteil (Y) pro Arm an der Innenseite der Baugruppe Kupplung/Umlenkrolle anbringen. Die Unterlegscheiben zwischen den Armen und dem Rahmen der Baugruppe platzieren.

### 31. SCHRITT: (SIEHE ABBILDUNG 31)

- Ihrer Schneefräse sind zwei unterschiedlich lange Keilriemen beigelegt. Traktoren, die mit manuellen Zusatzgerätekupplungen und doppelten vorderen Vorrichtungsaufhängungshalterungen ausgestattet sind, verwenden den 55" (140 cm) Keilriemen, der auf der Außenseite des Riemens mit dem Aufdruck #46989 versehen ist. KEINESFALLS den anderen Riemen verwenden.
- Die neben der flachen Riemenspannrolle gelegene Sechskantschraube leicht lösen. Den Keilriemen zwischen der Sechskantschraube und der flachen Riemenspannrolle einlegen, wobei die flache Seite des Riemens an der Scheibe anliegt. Die Sechskantschraube wieder anziehen.
- Den Riemen um die große V-Riemenscheibe legen, wobei dieser zwischen der Riemenscheibe und der neben der Riemenscheibe befindlichen Sechskantschraube platziert wird.



Haben Sie den für Ihren Traktor korrekten Keilriemen gewählt? Bei Verwendung des falschen Keilriemens, kann es zu vorzeitigen Lager- und Riemenschäden kommen.

### 32. SCHRITT: (SIEHE ABBILDUNG 32)

- Stellen Sie sicher, dass Sie beim Durchführen des nächsten Teilschritts das vordere Ende der Einrückstange, wie gezeigt, anheben. Sie können die Stange vorübergehend mit Hilfe eines an den Keilriemenhalter gebundenen Gummibandes unterstützen.
- Die Baugruppe Kupplung/Umlenkrolle wie folgt am Rahmen des Traktors anbringen. Die mit Aussparungen versehenen Aufhängungsarme der Baugruppe auf den zwei an der Innenseite des Rahmens des Traktors angebrachten Gelenkschrauben einhaken. Die Vorderseite der Baugruppe anheben und sie unter Verwendung von zwei Schwenksteckbolzen (GG) und 1/8" Haarnadelsplinten (EE) an der rechten und linken Aufhängerhalterung anbringen.

### 33. SCHRITT: (SIEHE ABBILDUNG 33)

- Sicherstellen, dass sich der Zusatzgerätekupplungshebel am Armaturenbrett in der entkuppelten Stellung (unten) befindet.
- Den oberen Riemenspannarm so schwenken, dass er gegen den Stoppbolzen zu liegen kommt und, wie abgebildet, zur Vorderseite zeigt. Den Zapfen (CC) entlang des Gewindes der Einrückstange schrauben, bis er mit dem vorderen Ende des Schlitzes des Riemenspannarmes ausgerichtet ist. Den Zapfen (CC) unter Verwendung der dünnen 3/8" Unterlegscheibe (S) und eines 5/64" Haarnadelsplinten (DD) mit dem Schlitz verbinden.
- Den Keilriemenhalter durch Entfernen der Unterlegscheibe und der Mutter, die ihn festhalten, von der Seite des Traktorrahmens entfernen. Den mit der Schneefräse gelieferten neuen Keilriemenhalter unter Verwendung der Originalschraube, -unterlegscheibe und -mutter anbringen.

**HINWEIS:** Einige Traktoren sind unter Umständen bereits mit einem Keilriemenhalter ausgestattet, der mit dem neuen, mitgelieferten identisch ist.

### 34. SCHRITT: (SIEHE ABBILDUNG 34)

- Den Keilriemen zuerst auf der Motorrolle anbringen und dann auf der großen Rolle oben auf der Baugruppe Kupplung/Umlenkrolle. Der Riemen muss an der Innenseite des Keilriemenhalters, der Riemenspannrolle und des neben der großen Rolle befindlichen Haltebolzens entlang geführt werden.

**WICHTIG:** Keinesfalls den "V"-Riemen entlang der Außenseite des Keilriemenhalters oder des Haltebolzens führen.

- **Mit dem 48. Schritt auf Seite 57 fortfahren.**

## KABELBEDIENTE MANUELLE ZUSATZGERÄTEKUPPLUNG

### 35. SCHRITT: (SIEHE ABBILDUNG 35)

- Die zwei Aufhängungsarme unter Verwendung von zwei 5/16" x 3/4" Sechskantschrauben (C), 5/16" Unterlegscheiben (Q) und 5/16" Sechskantmutter mit Klemmteil (Y) pro Arm am hinteren Teil der Baugruppe Kupplung/Umlenkrolle anbringen. Die Arme mit nach hinten zeigenden Aussparungen auf der Außenseite des Rahmens platzieren.

### 36. SCHRITT: (SIEHE ABBILDUNG 36)

- Die Kabelkonsole unter Verwendung von zwei 5/16" x 3/4" Schlossschrauben (K) und 5/16" Sechskantmutter mit Klemmteil (Y) an der Baugruppe Kupplung/Umlenkrolle anbringen. Die zwei vorderen Löcher in der Kabelkonsole verwenden, falls Ihr Traktor eine 42"/106 cm-Mähvorrichtung hat. Die zwei hinteren Löcher verwenden, falls Ihr Traktor eine 46"/117 cm-Mähvorrichtung hat.

### 37. SCHRITT: (SIEHE ABBILDUNG 37)

- Ihrer Schneefräse sind zwei unterschiedlich lange Keilriemen beigelegt. Traktoren, die mit manuellen Zusatzgerätekupplungen und doppelten vorderen Vorrichtungsaufhängungshalterungen ausgestattet sind, verwenden den 55" Keilriemen, der auf der Außenseite des Riemens mit dem Aufdruck #46989 versehen ist. KEINESFALLS den anderen Riemen verwenden.
- Die neben der flachen Riemenspannrolle gelegene Sechskantschraube leicht lösen. Den Keilriemen zwischen der Sechskantschraube und der flachen Riemenspannrolle einlegen, wobei die flache Seite des Riemens an der Scheibe anliegt. Die Sechskantschraube wieder anziehen.
- Den Riemen um die große V-Riemenscheibe legen, wobei dieser zwischen der Riemenscheibe und der neben der Riemenscheibe befindlichen Sechskantschraube platziert wird.



Haben Sie den für Ihren Traktor korrekten Keilriemen gewählt? Bei Verwendung des falschen Keilriemens, kann es zu vorzeitigen Lager- und Riemenschäden kommen.

### 38. SCHRITT: (SIEHE ABBILDUNG 38)

- Den Zusatzgerätekupplungshebel auf dem Armaturenbrett in die entkuppelte Stellung (unten) bringen.
- Die Baugruppe Kupplung/Umlenkrolle auf der rechten Seite des Traktors auf dem Boden platzieren.
- Das Kupplungskabel des Traktors an der Kabelkonsole anbringen. Die Kabelgehäuseführung (mit der Nut nach unten weisend) unter Verwendung des Originalkragens und eines 5/64" Haarnadelsplinten (DD) an der Kabelkonsole befestigen.
- Eine Unterlegscheibe (LL) auf dem geschweißten Stift des Riemenspannarms platzieren. Das Ende der Kupplungsfeder über den Stift haken und es mit einer 1/4" Unterlegscheibe (P) und einem 5/64" Haarnadelsplint (DD) sichern.

### 39. SCHRITT: (SIEHE ABBILDUNG 39)

- Den Keilriemenhalter durch Entfernen der Unterlegscheibe und der Mutter, die ihn festhalten, von der Seite des Traktorrahmens entfernen. Den mit der Schneefräse gelieferten neuen Keilriemenhalter unter Verwendung der Originalschraube, -unterlegscheibe und -mutter anbringen.

**HINWEIS:** Einige Traktoren sind unter Umständen bereits mit einem Keilriemenhalter ausgestattet, der mit dem neuen, mitgelieferten identisch ist.

- Die Baugruppe Kupplung/Umlenkrolle wie folgt am Rahmen des Traktors anbringen. Die mit Aussparungen versehenen Aufhängungsarme der Baugruppe auf den zwei an der Innenseite des Rahmens des Traktors angebrachten Gelenkschrauben einhaken. Die



Vorderseite der Baugruppe anheben und sie unter Verwendung von zwei Schwenksteckbolzen (GG) und 1/8" Haarnadelsplinten (EE) an der rechten und linken Aufhängerhalterung anbringen.

#### 40. SCHRITT: (SIEHE ABBILDUNG 40)

- Den Keilriemen zuerst auf der Motorrolle anbringen und dann auf der großen Rolle oben auf der Baugruppe Kupplung/Umlenkrolle. Der Riemen muss an der Innenseite des Keilriemenhalters, der Riemenspannrolle und des neben der großen Rolle befindlichen Haltebolzens entlang geführt werden.

**WICHTIG:** Keinesfalls den "V"-Riemen entlang der Außenseite des Keilriemenhalters oder des Haltebolzens führen.

- Mit dem 48. Schritt auf Seite 57 fortfahren.

### ELEKTRISCHE ZUSATZGERÄTEKUPPLUNGEN

#### 41. SCHRITT: (SIEHE ABBILDUNG 41)

- Die zwei Aufhängungsarme unter Verwendung von zwei 5/16" x 3/4" Sechskantschrauben (C), 5/16" Unterlegscheiben (Q) und 5/16" Sechskantmuttern mit Klemmteil (Y) pro Arm am hinteren Teil der Baugruppe Kupplung/Umlenkrolle anbringen. Die Arme mit nach hinten zeigenden Aussparungen auf der Außenseite des Rahmens platzieren.

#### 42. SCHRITT: (SIEHE ABBILDUNG 42)

- Die Extraspannkette (JJ) durch das linke vordere Loch in der Baugruppe Kupplung/Umlenkrolle führen und anschließend die Baugruppe auf den Kopf stellen.

#### 43. SCHRITT: (SIEHE ABBILDUNG 43)

- Die Feder aus dem Teilebeutel durch das Ende der Spannkette haken.
- Das andere Ende der Feder auf die Schraube und Mutter haken, die die Riemenspannrolle am oberen Riemenspannarm halten. Den Schraubenkopf festhalten und eine 3/8" Sicherungssechskantmutter (Z) auf der Schraube anbringen, wobei zwischen den beiden Muttern genug Platz verbleiben muss, dass die Feder frei schwenken kann.
- Einen 3/32" Haarnadelsplint (FF) auf der Kette anbringen und zwar ist er auf das fünfte Glied von der Feder aus zu platzieren.

#### 44. SCHRITT: (SIEHE TABELLE 2)

- Ihrer Schneefräse sind zwei unterschiedlich lange Keilriemen beigelegt. Verwenden Sie die folgende Tabelle, um den korrekten Keilriemen für Ihre Art Traktor auszuwählen. Die Teilenummer ist auf der Außenseite des Riemens aufgedruckt.
- Den Riemen, der nicht für Ihren Traktor geeignet ist, beiseite legen, so dass er nicht versehentlich verwendet wird.

55"/140 cm RIEMEN (TEILE-NR. 46989)		
ART DES TRAKTORS	GRÖSSE DER MÄHVORRICHTUNG	ART DER KUPPLUNG
(RT) Rasentraktor	38" (96 cm), 42" (106 cm), 46" (116 cm)	elektrisch
56"/142 cm RIEMEN (TEILE-NR. 48138)		
ART DES TRAKTORS	GRÖSSE DER MÄHVORRICHTUNG	ART DER KUPPLUNG
(RT) Rasentraktor	48", (122 cm)	elektrisch

#### 45. SCHRITT: (SIEHE ABBILDUNG 44)

- Die zuvor kopfüber gedrehte Baugruppe Kupplung/Umlenkrolle wieder richtig herum drehen.
- Die neben der flachen Riemenspannrolle gelegene Sechskantschraube leicht lösen. Den Keilriemen zwischen der Sechskantschraube und der flachen Riemenspannrolle einlegen, wobei die flache Seite des Riemens an der Scheibe anliegt. Die Sechskantschraube wieder anziehen.
- Den Riemen um die große V-Riemenscheibe legen, wobei dieser zwischen der Riemenscheibe und der neben der Riemenscheibe

befindlichen Sechskantschraube platziert wird. Den Riemen an der Innenseite der anderen flachen Riemenspannrolle platzieren.



Haben Sie den für Ihren Traktor korrekten Keilriemen gewählt? Bei Verwendung des falschen Keilriemens, kann es zu vorzeitigen Lager- und Riemenschäden kommen.

#### 46. SCHRITT: (SIEHE ABBILDUNG 45)

- Die Baugruppe Kupplung/Umlenkrolle wie folgt am Rahmen des Traktors anbringen. Die mit Aussparungen versehenen Aufhängungsarme der Baugruppe auf den zwei an der Innenseite des Rahmens des Traktors angebrachten Gelenkschrauben einhaken. Die Vorderseite der Baugruppe anheben und sie unter Verwendung von zwei Schwenksteckbolzen (GG) und 1/8" Haarnadelsplinten (EE) an der rechten und linken Aufhängerhalterung anbringen.

#### 47. SCHRITT: (SIEHE ABBILDUNG 46)

- Den Keilriemen zuerst auf der Motorrolle anbringen und dann auf der großen Rolle oben auf der Baugruppe Kupplung/Umlenkrolle. Der Riemen muss entlang der Innenseite des Keilriemenhalters und des Haltebolzens, der sich neben der großen Rolle befindet, geführt werden.
- Den Riemen durch Ziehen an der linksseitigen Spannkette - so weit, wie es der in der Kette angebrachte 3/32" Haarnadelsplint (FF) erlaubt - spannen. Die Kette durch Einschieben eines 1/8" Haarnadelsplints (EE) in dieser Stellung arretieren.

**WICHTIG:** Keinesfalls den "V"-Riemen entlang der Außenseite des Keilriemenhalters oder des Haltebolzens führen.

### ZUSAMMENBAU DER SCHNEEFRÄSE

#### 48. SCHRITT: (SIEHE ABBILDUNG 47)

- Den Hebergriff in der Heberhalterung an der rechten Seite der Schneefräse platzieren. Den Griff unter Verwendung von zwei 5/16" x 1-3/4" Sechskantschrauben (B) und 5/16" Sechskantmuttern mit Klemmteil (Y) an der Halterung befestigen.

**HINWEIS:** Sicherstellen, dass die Plastikabdeckung des Heberfreigabekabels für den nächsten Schritt in der Auslösergruppe sitzend verbleibt.

#### 49. SCHRITT: (SIEHE ABBILDUNG 48)

- Den Hebergriff nach unten in die verriegelte Stellung drücken. Das Ende der Kabellitze in das Loch in der Heberstange einführen. Das mit Gewinde versehene Rohrende im Schlitz in der Heberhalterung platzieren, wobei eine Sechskantmutter über sowie eine Sechskantmutter und die Sicherungsscheibe unter dem Schlitz anzubringen sind. Die Muttern anziehen und dabei so justieren, dass der Kabellitze kein Spiel verbleibt. Siehe hierzu auch den Abschnitt "Wartung und Justage" auf Seite 27 dieser Anleitung.

**TIPP:** Zwecks leichteren Zusammenbaus des Heberfreigabekabels, die Schneefräse nach vorne auf die Spiralfräse kippen.

#### 50. SCHRITT: (SIEHE ABBILDUNG 49)

- Die Schneefräse zurück auf den Boden kippen (in Normallage verbringen).
- Den Kabelbinder, der den Schneckenantriebsriemen am Auswurfgehäuse befestigt, entfernen, so dass der Riemen um die Rollen herum verbleibt.
- Den Kabelbinder, der die Leitblechverstellstange am Verstellstangenstützrohr hält, entfernen.
- Das Verstellstangenstützrohr mit Hilfe von zwei 5/16" x 1-1/4" Schlossschrauben (I), und 5/16" Sechskantmuttern mit Klemmteil (Y) an der Halterung auf der linken Seite des Auswurfgehäuses anbringen.

#### 51. SCHRITT: (SIEHE ABBILDUNG 50)

- Die Auswurfneigungsteuerungsbaugruppe mit Hilfe von zwei 5/16" x 1-3/4" Schlossschrauben (H), gewölbten Unterlegscheiben (U) und 5/16" Sechskantmuttern mit Klemmteil (Y) auf der Oberseite des Verstellstangenstützrohres anbringen.

## 52. SCHRITT: (SIEHE ABBILDUNG 51)

- Die Leitblechverstellstangenbaugruppenhalterungen an der Plastikhalterung auf der linken Seite des Auswurfgehäuses anbringen. Die Leitblechverstellstangenhalterung unter der Stangenstützhalterung ausrichten und beide mit Hilfe von zwei 5/16" x 1" Schlossschrauben (J), 5/16" Unterlegscheiben (Q) und 5/16" Sechskantmutter mit Klemmteil (Y) an der Plastikhalterung anbringen. Noch nicht anziehen.

## 53. SCHRITT: (SIEHE ABBILDUNG 52)

- Die Oberseite des Rings um die Auswurföffnung herum mit Schmierfett bedecken.
- Das Auswurfleitblech (nach vorne zeigend) auf den Ring aufsetzen. Die Verdrehschutzhalterung oben auf dem Leitblechflansch platzieren, wobei dieser anhand der Löcher auf der rechten Seite des Flansches auszurichten ist. Die drei Leitblechhalterungen (BB) (mit der richtigen Seite - wie gezeigt - nach oben) mit Hilfe von sechs 1/4" x 1" Sechskantschrauben (D), 1/4" Unterlegscheiben (P) und 1/4" Sicherungsflanschmutter (V) an der Unterseite des Flansches anbringen. Vorsichtig anziehen, sodass die Muttern fest sitzen, aber sich nicht in die Plastikleitblechhalterungen eingraben.
- Die Plastikhaube (HH) auf das kurze Ende der Verdrehschutzhalterung aufsetzen.
- Die Verstellstangenspirale (siehe Abbildung 51) so positionieren, dass sie nicht an der Unterseite der Aussparungen im Auswurf flansch reibt. Die Muttern anziehen.
- Prüfen, ob die Leitblechverstellstange das Leitblech ohne Behinderung drehen kann. Falls dies nicht der Fall ist, jede der sechs Sechskantschrauben, die die Leitblechhalterungen am Leitblechflansch halten, um eine Viertelumdrehung lösen.
- Die Steuerkabel mit Hilfe eines Kabelbinders (II) am Verstellstangenstützrohr befestigen.

## 54. SCHRITT: (SIEHE ABBILDUNG 53)

**Überspringen Sie diesen Schritt, sofern Sie einen Rasentraktor haben. Dieser Schritt ist ausschließlich für Gartentraktoren.**

- Falls Sie einen Gartentraktor (GT) haben, entfernen Sie die Stop-Bolzen von den Seiten des Schneefräsenrahmens.

## VERBINDEN DER SCHNEEFRÄSE MIT DEM TRAKTOR

**HINWEIS:** Unter Umständen ist die Hilfe einer weiteren Person erforderlich, um die Schneefräse an der Vorderseite des Traktors zu montieren.

## 55. SCHRITT: (SIEHE ABBILDUNG 54)

- Den Traktor und die Schneefräse auf einer flachen, ebenen Oberfläche platzieren, so dass der Traktor zur Anbringung der Schneefräse nach vorne gerollt werden kann.
- Den Befestigungsstift von der Schneefräse entfernen.
- Den Schneckenkeilriemen hinter der Schneefräse herausstrecken, wobei sicherzustellen ist, dass der Riemen weiterhin oben um die große Antriebsrolle und unter den beiden Riemenspannrollen durchläuft. Die "V"-Seite des Keilriemens muss in den Hohlkehlen aller drei Rollen sitzen.
- Den Traktor von hinten an die Schneefräse heranrollen, wobei er zwischen den Montageplatten der Schneefräse zu zentrieren ist.
- Das hintere Ende der Schneefräse durch Anheben am Hebergriff soweit anheben, dass die Aussparungen in den Montageplatten mit den Gelenkschrauben in den Seitenplatten des Traktors in einer Linie sind. Die Schrauben in die Aussparungen einführen.
- Um die Installation des Schneckenantriebsriemens zu vereinfachen, mit der Installation des Befestigungsstiftes warten, bis Sie den Keilriemen wie in den Schritten 56 und 57 beschrieben angebracht haben.

## VOR INSTALLATION DES SCHNECKENKEILRIEMENS

## 56. SCHRITT: (SIEHE ABBILDUNG 55)

- Der Schneckenkeilriemen wird auf den Rollen des Schneefräsengehäuses vorinstalliert geliefert. Sicherstellen, dass der Keilriemen über die Oberseite der Schneckenrolle läuft und dann um eine Viertelumdrehung verdreht unter den beiden seitlichen Riemenspannrollen durchläuft. Die "V"-Seite des Keilriemens muss

sich in die Hohlkehlen der Rollen einfügen.

## INSTALLATION DES SCHNECKENKEILRIEMENS

## 57. SCHRITT: (SIEHE ABBILDUNG 56)

- Den Hebergriff, nachdem der Befestigungsstift entfernt worden ist, nach unten drücken, um das Spiel des Riemens zu erhöhen.
- Den 1/8" Haarnadelsplint (EE), der das Ende der Spannrollenarmfeder an der rechten Seite der Baugruppe Kupplung/Umlenkrolle hält, entfernen. Den Spannrollenarm nach links schwenken.
- Den Schneckenriemen um die hintere Rolle herum und zwischen den beiden Riemenspannrollen des Spannrollenarms hindurch führen. Die "V"-Seite des Keilriemens muss in den Hohlkehlen der V-Rollen sitzen.

## INSTALLATION DES BEFESTIGUNGSSTIFTS

## 58. SCHRITT: (SIEHE ABBILDUNG 54)

- Die Vorderseite der Schneefräse anheben, um die Löcher in den Montageplatten und den Seitenplatten in Deckung zu bringen. Von der linken Seite des Traktors aus den Befestigungsstift durch die Löcher schieben. Diesen mittels Wiederinstallation des 1/8" Haarnadelsplints (EE) sichern.

## SPANNUNG DES SCHNECKENRIEMENS EINSTELLEN

## 59. SCHRITT: (SIEHE ABBILDUNG 57)

- An der Spannkette ziehen, bis das Ende der Feder durch das Loch in der Seite der Baugruppe Kupplung/Umlenkrolle gezogen wird. Den 1/8" Haarnadelsplint (EE) durch das Ende der Feder installieren, so dass dieses außerhalb der Baugruppe Kupplung/Umlenkrolle gesichert ist.

**WICHTIG:** Um die korrekte Riemen Spannung zu erzielen, muss der 1/8" Haarnadelsplint am Ende der Feder angebracht werden und nicht an der Kette.

**HINWEIS:** Um zu vermeiden, dass die Kette auf dem Boden schleift, das Ende der Kette durch den Schwenksteckbolzen führen. Siehe Abbildung 45 auf Seite 21.

## REFLEKTOREN AN DEN HINTEREN KOTFLÜGELN ANBRINGEN

## 59. SCHRITT: (SIEHE ABBILDUNG 58)

- Falls Ihr Traktor nicht mit hinteren Rückstrahlern ausgestattet ist, sind die mitgelieferten hinteren Reflektoren (KK) an den hinteren Kotflügeln anzubringen. Die Reflektoren so tief unten wie möglich am Kotflügel und so weit auseinander wie es die Form des Kotflügels erlaubt, anbringen.

## CHECKLISTE

Bevor Sie Ihre Schneefräse in Betrieb nehmen, gehen Sie bitte die folgende Checkliste durch, die dabei hilft, sicherzustellen, dass Sie die bestmögliche Leistung von Ihrer Schneefräse erhalten.

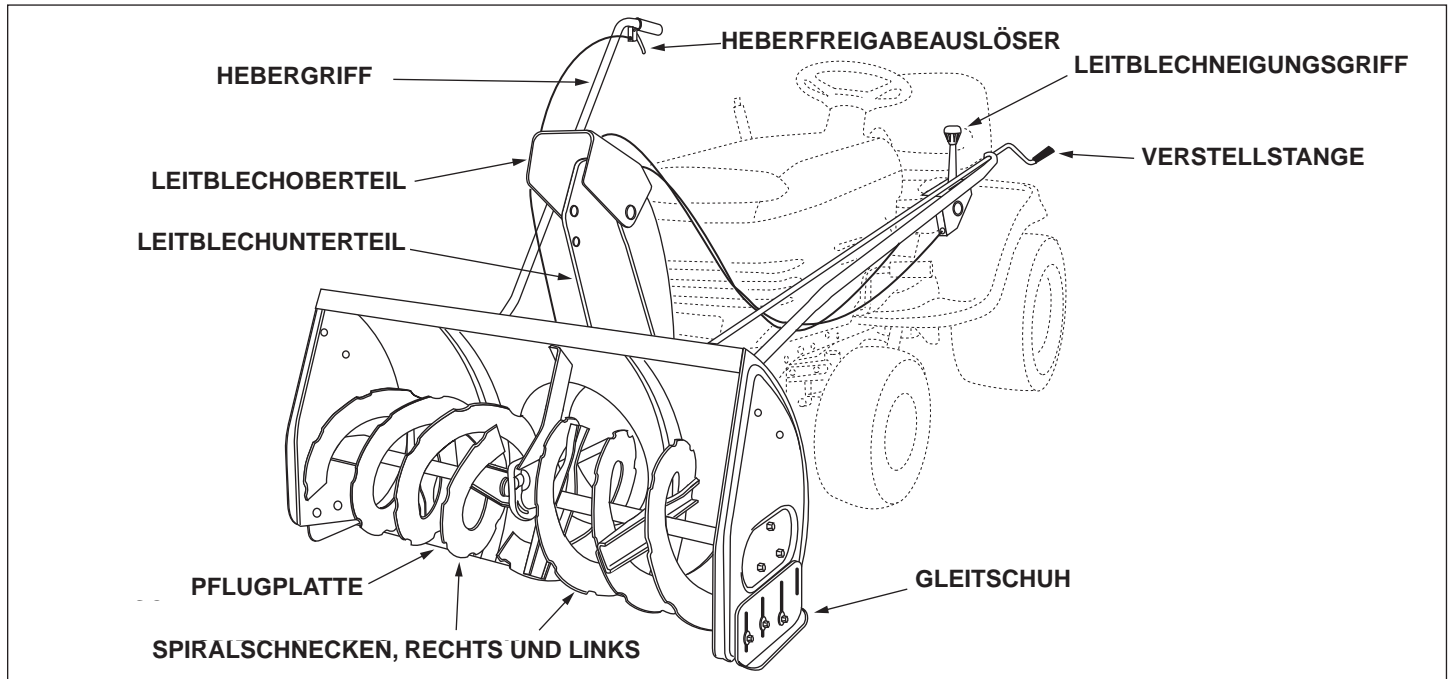
- Alle Zusammenbauanweisungen sind befolgt worden und alle Schrauben und Muttern wurden ordnungsgemäß angezogen.
- Den Motorkeilriemen und den Schneckenkeilriemen prüfen. Sicherstellen, dass diese ordnungsgemäß um die Rollen herum und entlang der Innenseite der Riemenhalter geführt sind.
- Auswurfleitblech auf ordnungsgemäße Drehbarkeit prüfen.
- Betrieb der Neigungssteuerung für den oberen Auswurf prüfen.
- Prüfen, ob der Hebergriff in der angehobenen Transportstellung verriegelt und aus dieser löst. (Siehe Abschnitt "Wartung und Justage".)
- Justage des Gleitschuhs prüfen. (Siehe Abschnitt "Wartung und Justage".)

**Betriebsanleitungen beginnen auf Seite 59.**

# BETRIEB

## MACHEN SIE SICH MIT IHRER SCHNEEFRÄSE VERTRAUT

Vor der Inbetriebnahme Ihrer Schneefräse sind diese Bedienungsanleitung sowie die Sicherheitsregeln durchzulesen. Vergleichen Sie die folgenden Illustrationen mit Ihrer Schneefräse, um sich mit den verschiedenen Steuerungen und deren Unterbringung vertraut zu machen.



**AUSWURFNEIGUNGSWINKELGRIF** Schwenkt das Leitblechoberteil auf und ab um Auswurfwinkel und -distanz zu steuern.

**VERSTELLSTANGE** Dreht Leitblechunter- und -oberteil, um die Auswurfriechung zu steuern.

**HEBERGRIF** Dient zum Heben und Senken der Schneefräse in die Transport- bzw. Betriebsstellung.

**HEBERFREIGABEAUSLÖSER** Löst die Verriegelung, die die Schneefräse in der Transportstellung hält

**LEITBLECHOBER- UND -UNTERTEIL** Steuert die Richtung und Höhe des Schneeauswurfs.

**PFLUGPLATTE** Austauschbare Platte, die durch Bodenkontakt verursachte Abnutzung und Stöße absorbiert.

**GLEITSCHUH** Steuert die lichte Höhe zwischen der Pflugplatte und dem Boden.

**SPIRALSCHNECKE, RECHTS UND LINKS** Führen dem Lüfterrad in der Mitte des Gehäuses Schnee zu.

## VOR DEM STARTEN

- Anhand der Checkliste am Ende des Zusammenbaus prüfen, ob alle Anweisungen ordnungsgemäß ausgeführt worden sind.
- Sicherstellen, dass die Gleitschuhe so justiert sind, dass ausreichende Bodenfreiheit zwischen der Schneefräse und der zu räumenden Art Oberfläche verbleibt. (Siehe Abschnitt "Wartung und Justage".)
- Sicherstellen, dass der Traktormotor das korrekte Öl für Winterbetrieb (SAE 5W-30) hat. Siehe Bedienungsanleitung des Traktors.

## STARTEN DER SCHNEEFRÄSE

- Der Traktor muss mit dem Motor unter Vollgas laufend stillstehen. Die Zusatzgerätekupplung ist einzukuppeln, so dass die Schneefräse startet bevor die Traktorkupplung eingekuppelt wird.

## STOPPEN DER SCHNEEFRÄSE

- Um die Schneefräse zu stoppen, den Zusatzgerätekupplungshebel des Traktors bei manuellen Kupplungen bzw. den Kupplungsschalter für elektrische Kupplungen entkuppeln. Siehe Bedienungsanleitung Ihres Traktors.

## EINSATZ DER SCHNEEFRÄSE



**ACHTUNG:** Niemals den Auswurf auf Umstehende und Fenster richten. Niemandem erlauben, sich vor dem Gerät aufzuhalten.

## STEUERUNG DES SCHNEEAUSWURFS

- Um zu steuern, in welche Richtung der Schnee geworfen wird, ist das Auswurfsleitblech um 180 Grad drehbar. Die Verstellstange im Uhrzeigersinn drehen, um das Leitblech nach rechts zu drehen. Die Verstellstange entgegen dem Uhrzeigersinn drehen, um das Leitblech nach links zu drehen.
- Das Oberteil des Auswurfsleitblechs schwenkt auf und ab, um die Distanz, über die der Schnee geworfen wird, zu steuern. Den Leitblechneigungsgriff nach vorne drücken, um das Leitblech nach unten zu schwenken, so dass sich die Distanz, über die der Schnee geworfen wird, verkürzt. Am Griff ziehen, um das Leitblech nach oben zu schwenken, so dass sich die Distanz, über die der Schnee geworfen wird, verlängert.

## HEBEN UND SENKEN

- Zum Anheben, den Hebergriff niederdrücken, bis die Schneefräse in der gehobenen Transportstellung arretiert.
- Zum Senken, den Hebergriff leicht niederdrücken und am Auslöser ziehen. Bei gezogenem Auslöser, die Schneefräse solange absenken, bis sie den Boden berührt.



**ACHTUNG:** Die Schneefräse keinesfalls ohne am Traktor für zusätzliche Griffigkeit und Stabilität angebrachte hintere Gewichte betreiben.

## SCHNEE RÄUMEN

Schneeräumbedingungen variieren stark von leichtem flockigem Schneefall bis zu nassem schwerem Schnee. Die Betriebsanweisungen müssen flexibel sein, um für die angetroffenen Bedingungen zu passen. Der Bediener muss den Rasentraktor und die Schneefräse der Tiefe des Schnees, der Windrichtung, der Temperatur und den Oberflächenbedingungen anpassen.

- Vor der Aufnahme des Betriebs ist der Betriebsbereich gründlich zu inspizieren und alle Türvorleger, Schlitten, Bretter, Drähte und sonstigen Fremdoobjekte sind zu entfernen.
- Die Spiralschneckengeschwindigkeit steht in direkter Abhängigkeit von der Motorgeschwindigkeit. Für maximale Schneeräumung und -auswurf muss eine hohe Umdrehungszahl des Motors (Vollgas) gehalten werden. Hierbei empfiehlt es sich, den Rasentraktor zwecks sicherer und effizienter Schneeräumung mit einer geringen Bodengeschwindigkeit (1. Gang) zu betreiben.
- Bei Tiefschnee, Schneewehen und Schneeverwehungen ist es erforderlich, Vollgas und eine niedrige Bodengeschwindigkeit (1. Gang) zu verwenden. Vorwärts in den Schnee fahren, das Kupplungs-/Bremspedal des Traktors betätigen und der Spiralschnecke erlauben, den Schnee zu räumen. Dieses Verfahren solange wiederholen, bis ein Pfad frei geräumt ist. Beim zweiten Durchgang empfiehlt es sich, diesen hinreichend mit dem ersten zu überlappen, so dass die Schneefräse den Schnee ohne wiederholtes stoppen und starten der Vorwärtsbewegung handhaben kann.

- In extrem tiefem Schnee, die Schneefräse vom Boden anheben, um die obere Schicht abzutragen und nur so weit mit dem Traktor vorfahren, bis die Vorderreifen des Traktors auf die noch nicht geräumte untere Schneeschicht treffen. Das Kupplungs-/Bremspedal des Traktors betätigen und der Spiralschnecke Gelegenheit geben, den Schnee zu räumen. Den Traktor zurücksetzen und die Schneefräse auf den Boden absenken. Mit dem Traktor vorwärts fahren, bis der Schnee wieder zu tief wird. Wiederholtes Durchlaufen dieses Verfahrens erlaubt das graduelle Abtragen selbst der höchsten Schneeanhäufungen.
- Sofern die Schneefräse mit Schnee verstopft oder durch ein Fremdoobjekt blockiert ist, muss die Schneefräse sofort entkuppelt und der Motor des Traktors abgestellt werden. Bevor der Betrieb wieder aufgenommen wird, muss die Verstopfung der Schneefräse beseitigt werden.



**GEFAHRENHINWEIS:** Vor dem Beseitigen einer Verstopfung des Auswurfleitbleches muss unbedingt der Motor abgestellt und die Schneefräse entkuppelt werden. Zur Beseitigung der Verstopfung einen Holzstock verwenden; keinesfalls Ihre Hände.

## TIPPS ZUM BETRIEB

- Nach Möglichkeit den Schnee mit Rückenwind auswerfen.
- Um ein Ankleben des Schnees an der Schneefräse zu vermeiden, der Schneefräse vor dem Einsatz Gelegenheit geben, auf Außentemperatur abzukühlen. Gegebenenfalls kann auch eine dünne Schicht Wachs auf die Innenseite des Gehäuses und des Auswurfleitbleches der Schneefräse aufgebracht werden.
- Um die Griffigkeit zu verbessern, Schneeketten aufziehen.
- Um die Griffigkeit zu verbessern, hinten Radgewichte anbringen.
- Vor dem ersten Schneefall, alle Steine, Stöcke und anderen Objekte, die sich unter dem Schnee verstecken könnten, beseitigen. Permanente Hindernisse sollten zur besseren Sichtbarkeit markiert werden.
- Jeden Durchgang leicht überlappen, um die vollständige Schneeräumung sicherzustellen.

# WARTUNG

## ZUSTÄNDIGKEIT DES KUNDEN

- Den Wartungsplan und die in diesem Abschnitt aufgeführten Prozeduren durchlesen und befolgen.

WARTUNGSPLAN Bitte tragen Sie nach dem Durchführen der regulären Wartung jeweils das Datum ein	Wartungsdatum											
	Vor jedem Einsatz	Nach jedem Einsatz	Jede Saison	Vor Einlagerung								
Auf lose Verbinder prüfen	X											
Pflugplatte und Schuhe auf Verschleiß prüfen	X			X								
Reinigen				X								
Schmierungsabschnitt			X									

## SCHMIERUNG

- Alle Schwenkpunkte der Schneefräse ölen.
- Die Schwenkpunkte der beiden Spannrollenarme an der Baugruppe Kupplung/Umlenkrolle ölen.
- Kriechöl auf die Steuerkabel des Auswurfleitbleches geben.
- Ein hochwertiges Sprühschmiermittel auf die Auslöserbaugruppe und die Leitblechneigungssteuerungsbaugruppe auftragen.

## PFLUGPLATTE UND SCHUHE AUF VERSCHLEISS PRÜFEN (Siehe Abbildungen 59 und 60 auf Seite 61)

- Die Pflugplatte und die Gleitschuhe an der Unterseite der Schneefräse sind Verschleiß ausgesetzt. Um Schäden am Spiralschneckengehäuse zu vermeiden, sind Platte und Schuhe zu ersetzen bevor der Verschleiß exzessiv wird.



**ACHTUNG:** Vor der Wartung bzw. Justage der Schneefräse den Motor abstellen, das/die Zündkabel entfernen, die Feststellbremse anziehen und den Schlüssel von der Zündung des Traktors abziehen.

## AUSTAUSCH DES SCHNECKENKEILRIEMENS

- Die Zusatzgerätekupplung des Traktors entkuppeln.
- Die Schneefräse auf den Boden absenken.
- Den Befestigungsstift entfernen.
- Den Hebergriff der Schneefräse in der unteren Stellung verriegeln, um die Spannung des Riemens zu senken.
- Die Federspannung vom Schneckenriemenspannrollenarm an der Unterseite der Baugruppe Kupplung/Umlenkrolle lösen.
- Den Schneckenkeilriemen von der Baugruppe Kupplung/Umlenkrolle und dem Spiralschneckengehäuse abnehmen.
- Den neuen Riemen oben über die große Schneckenantriebsrolle und unter den zwei seitlichen Riemenspannrollen installieren. Den Riemen um eine Viertelumdrehung drehen, sodass das "V" des Riemen in der Hohlkehle der beiden Riemenspannrollen sitzt. Siehe Abbildung 55 auf Seite 24.
- Den Riemen auf der Baugruppe Kupplung/Umlenkrolle anbringen.

## GLEITSCHUHJUSTAGE

- Die Gleitschuhe sind an beiden Seiten des Spiralschneckengehäuses montiert. Sie regulieren den Abstand um den sich die Pflugplatte über der zu pflügenden Oberfläche befindet. Wenn Schnee von einer mit Kies beschütteten Auffahrt oder unebenen Oberfläche geräumt wird, empfiehlt es sich, die Pflugplatte so hoch wie möglich über dem Untergrund zu halten, um eine mögliche Beschädigung der Spiralschnecke zu vermeiden. Auf asphaltierten und Betonoberflächen, die Pflugplatte so nah wie möglich über dem Untergrund halten.
- Die Schneefräse vom Boden abheben und einen Klotz unter jedes Ende der Pflugplatte setzen. Die sechs Sechskantmuttern lösen, mit denen die Gleitschuhe am Gehäuse befestigt sind. Die Gleitschuhe nach oben oder unten justieren und die Muttern wieder sicher anziehen. Beide Gleitschuhe auf gleiche Höhe justieren, um das Gehäuse und die Pflugplatte parallel zu halten. Siehe Abbildung 59.

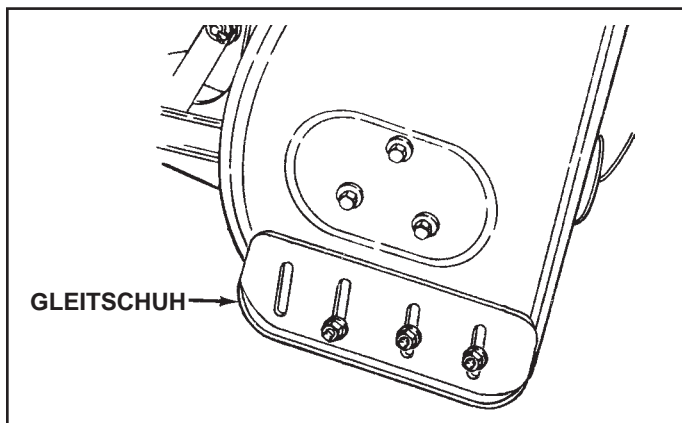


FIGURE 59

## JUSTAGE DES HEBERFREIGABEKABELS

- Falls die Heberstange die Schneefräse nicht sicher in der Transportstellung arretiert, die obere Sechskantmutter auf der Heberhalterung um einige Umdrehungen lösen und die untere Sechskantmutter anziehen. Siehe Abbildung 48 auf Seite 22.
- Falls die Heberstange die Schneefräse nicht vollständig zum Absenken freigibt, die untere Sechskantmutter auf der Heberhalterung um einige Umdrehungen lösen und die obere Sechskantmutter anziehen. Siehe Abbildung 48 auf Seite 22.

## KUPPLUNGSENTKUPPLUNGSJUSTAGE

(Nur für Traktoren mit Einrückstangenkupplungen.

**Nicht für elektrische Kupplungen und Kabelkupplungen)**

Falls die Spiralschnecke der Schneefräse nicht stoppt, wenn der Zusatzgerätekupplungshebel auf dem Traktor entkuppelt wird, ist eine Justage vorzunehmen. Dies geht folgendermaßen. Siehe Abbildung 33 auf Seite 17.

- Den Zusatzgerätekupplungshebel in die entkuppelte Stellung bringen.
- Den Haarnadelsplint aus dem Einrückstangenzapfen entfernen und den Zapfen aus dem Loch im Spannrollenarm nehmen.
- Den Zapfen um einige Umdrehungen zum vorderen Ende der Stange schrauben.
- Den Zapfen wieder in das Loch im Spannrollenarm einführen und ihn mit dem Haarnadelsplint sichern. Den Betrieb der Schneefräse prüfen. Falls die Spiralschnecken immer noch nicht anhalten, die oben genannten Schritte so lange wiederholen, bis die Schnecken stoppen, wenn der Zusatzgerätekupplungshebel in die entkuppelte Stellung gebracht wird.

## SPIRALSCHNECKEN

- Die Spiralschnecken sind mit zwei Scherbolzen und Sechskantmuttern mit Klemmteil auf der Schneckenwelle befestigt. Falls Sie auf ein Fremdobjekt auftreffen oder Eis die Schnecken blockiert, ist die Schneefräse dermaßen konstruiert, dass die Bolzen abgeschert werden.
- Falls sich die Schnecken nicht drehen, ist zu prüfen, ob die Scherbolzen abgeschert worden sind. Siehe Abbildung 60. Zwei Ersatzscherbolzen und Sechskantmuttern mit Klemmteil sind mit der Schneefräse mitgeliefert worden. Bei zukünftigem Bedarf die Teilenummer 710-0890A Scherbolzen und Nummer 47810 Sechskantmutter mit Klemmteil bestellen.

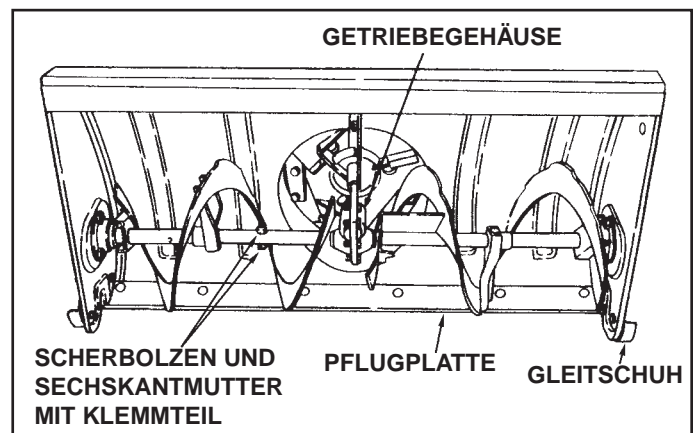


FIGURE 60

# LAGERUNG

## EMPFEHLUNGEN FÜR DIE AUFBEWAHRUNG

- Die Schneefräse auf den Boden absenken.
- Die Schneefräse vom Traktor abnehmen.
- Die Schneefräse gründlich reinigen. Etwaige Salzablagerungen, die möglicherweise auf Fräse und Gehäuse angetrocknet sind, abwaschen.
- Jegliches bloßes Metall, das ausgesetzt war, sollte angestrichen oder mit einem leichten Ölfilm bedeckt werden, um Rost zu vermeiden.
- An einem trockenen Ort lagern.

## ENTFERNEN DES SPIRALSCHECKENGEHÄUSES

- Die Schneefräse auf den Boden absenken.
- Den Befestigungsstift entfernen. Siehe Abbildung 54 auf Seite 24.
- Den Hebergriff der Schneefräse in der unteren Stellung verriegeln, um die Spannung des Riemens zu senken.
- Die Federspannung vom Schneckenriemenspannrollenarm an der Unterseite der Baugruppe Kupplung/Umlenkrolle lösen.
- Den Schneckenantriebsriemen von der Baugruppe Kupplung/Umlenkrolle abnehmen. Siehe Abbildung 56 auf Seite 24.
- Die Spiralschneckengehäusebaugruppe vom Traktor abziehen.

## AM ENDE DER SAISON ZU ENTFERNENDE TEILE

- Die Baugruppe Kupplung/Umlenkrolle entfernen. (Die zwei Hängerhalterungen und die zwei Gelenkschrauben können am Rahmen des Traktors belassen werden.)
- Den Antriebsriemen von der Motorrolle abnehmen.
- Falls Sie an einem Traktor mit manueller Zusatzgerätekupplung die Keilriemenhalter ersetzt haben, müssen die Originalkeilriemenhalter des Traktors wieder installiert werden. Siehe Abbildung 33 auf Seite 17 bzw. Abbildung 39 auf Seite 19.
- Falls Sie eine stangenbetriebene Zusatzgerätekupplung haben, muss die Einrückstange vom Kupplungsarm des Traktor entfernt werden. Siehe Abbildung 29 auf Seite 16.
- Falls ein hinten zu montierendes Zusatzgerät zu verwenden gewünscht wird, ist die hintere Gewichtsaufnahme zu entfernen, wobei die Schrauben, die Sie in den Seiten des Zughakens des Traktors angebracht haben, verbleiben. Die Schrauben wieder anziehen.
- Falls ein vorne zu montierendes Zusatzgerät zu verwenden gewünscht wird, sind die Seitenplatten vom Traktor abzunehmen. Sicherstellen, dass die Schrauben wieder in den leeren Löchern des Traktorrahmens angebracht werden.

# FEHLERDIAGNOSE UND -BEHEBUNG

PROBLEM	URSACHE	KORREKTURMASSNAHME(N)
Auswurfleitblech verstopft	<ol style="list-style-type: none"> <li>1. Oberer oder unterer Keilriemen zu locker</li> <li>2. Oberer oder unterer Keilriemen gerissen</li> <li>3. Scherbolzen sind abgesichert worden.</li> </ol>	<ol style="list-style-type: none"> <li>1. Keilriemenspannung erhöhen</li> <li>2. Keilriemen ersetzen</li> <li>3. Scherbolzen ersetzen</li> </ol>
Spiralschnecken drehen sich nicht	<ol style="list-style-type: none"> <li>1. Bodengeschwindigkeit des Traktors ist zu hoch</li> <li>2. Gasstellung des Traktor ist zu niedrig</li> <li>3. Schnee ist zu hoch</li> <li>4. Schnee schmilzt beim Kontakt mit der Schneefräse</li> </ol>	<ol style="list-style-type: none"> <li>1. Niedrigeren Gang des Traktors verwenden</li> <li>2. Auf Vollgas steigern</li> <li>3. Die Schneefräse anheben</li> <li>4. Der Schneefräse vor dem Einsatz Gelegenheit geben, auf Außentemperatur abzukühlen</li> </ol>
Schneefräse würgt Motor des Traktors ab	<ol style="list-style-type: none"> <li>1. Objekt blockiert Spiralschnecke</li> <li>2. Harter oder schwerer Schnee</li> </ol>	<ol style="list-style-type: none"> <li>1. Motor abstellen, Schneefräsenkupplung entkuppeln und Blockage der Schnecke beseitigen</li> <li>2. Auf Vollgas steigern und Bodengeschwindigkeit senken</li> </ol>
Vorderräder schlittern anstatt zu steuern	<ol style="list-style-type: none"> <li>1. Unzureichende Griffigkeit an den Vorderrädern</li> </ol>	<ol style="list-style-type: none"> <li>1. Bodenfreiheit der Pflugplatte durch Absenken der Gleitschuhe erhöhen</li> <li>2. Am Hebergriff nach unten ziehen, um Gewicht auf den Vorderrädern zu erhöhen</li> </ol>
Schneefräse läuft auf dem Schnee hoch	<ol style="list-style-type: none"> <li>1. Bodengeschwindigkeit des Traktors ist zu hoch</li> <li>2. Unterliegender Schnee ist vereist oder festgefahren</li> </ol>	<ol style="list-style-type: none"> <li>1. Bodengeschwindigkeit senken</li> <li>2. Gleitschuhe so absenken, dass die Vorderseite des Gleitschuhs niedriger ist als die hintere</li> </ol>



## SICUREZZA



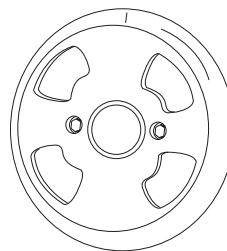
Ogni apparecchiatura elettrica può provocare infortuni se non è usata correttamente o se l'utente non è capace di farla funzionare. Fare sempre attenzione quando si usa un'apparecchiatura elettrica.

- Leggere questo manuale attentamente e imparare ad usare lo spartineve a turbina, ad arrestarlo e a disinserire i comandi rapidamente.
- Non permettere mai ai bambini di utilizzare questo apparecchio.
- Non permettere che delle persone adulte usino l'apparecchio senza conoscere le istruzioni.
- Mantenere l'area di lavoro sgombra di persone, specialmente bambini e animali domestici.
- Ispezionare accuratamente l'area dove l'apparecchio sarà usato e rimuovere tappetini, slittini, tavole, fili ed altri oggetti estranei.
- Disinserire tutti gli innesti e portare il cambio di velocità in folle prima di avviare il motore.
- Non mettere in funzione l'apparecchio senza aver prima indossato abiti invernali adeguati.
- Indossare calzature solide, in grado di proteggere i piedi e di camminare normalmente su superfici scivolose.
- Prima di avviare il motore controllare il combustibile. Non rimuovere il tappo del serbatoio quando il motore è in moto o è caldo. Non riempire il serbatoio in ambienti interni. La benzina è un combustibile estremamente infiammabile.
- Assicurarsi che l'altezza dello spartineve a turbina sia regolata in modo da adeguarsi al tipo di superficie sul quale esso dovrà lavorare.
- Non usare lo spartineve a turbina senza il peso posteriore attaccato al trattore.
- Non eseguire mai regolazioni con il motore in moto.
- Indossare sempre occhiali di sicurezza o protezioni degli occhi, durante il funzionamento o l'esecuzione di regolazioni o riparazioni.
- Non tenere le mani e i piedi vicino alle parti rotanti. Tenersi lontani dall'apertura di scarico in qualsiasi momento.
- Fare molta attenzione quando si lavora o si attraversano superfici con ghiaietto.
- Non trasportare passeggeri.
- Se si urta contro un oggetto estraneo, arrestare il motore, rimuovere il filo dalla candela e, quindi, controllare che lo spartineve a turbina non sia danneggiato. Riparare qualsiasi danno prima di riavviare il motore e usare lo spartineve a turbina.
- Se lo spartineve a turbina emette vibrazioni anormali dopo l'avvio, arrestare il motore immediatamente e controllare la causa. Generalmente, le vibrazioni sono sintomi di problemi.
- Arrestare il motore ogni volta che si lascia la posizione operativa, si sblocca lo spartineve a turbina o si eseguono regolazioni o ispezioni.
- Prendere tutte le precauzioni possibili prima di lasciare l'unità incustodita. Disinserire la leva o l'interruttore dell'innesto di attacco, abbassare lo spartineve a turbina, cambiare in folle, innestare il freno di parcheggio, arrestare il motore e rimuovere la chiave
- Quando si eseguono pulizie, riparazioni o ispezioni assicurarsi che tutte le parti in movimento siano arrestate. Disconnettere il filo della candela e tenerlo lontano dalla candela stessa per evitare partenze accidentali.
- Non far girare il motore in ambienti interni, salvo quando si trasporta lo spartineve a turbina all'interno o all'esterno dell'immobile. Aprire le porte esterne. I vapori di scarico sono pericolosi.
- Quando si lavora sui pendii, non sgombrare la neve a monte, fare estrema attenzione quando si cambia direzione, non cercare di sgombrare gradini. Fare riferimento alla guida dei pendii a pag. 83 di questo manuale.
- Non usare mai lo spartineve a turbina senza schermi, piastre o altri dispositivi di protezione.
- Non far funzionare mai lo spartineve a turbina vicino a involucri di vetro, automobili, tombini, scarichi ecc. senza una regolazione adeguata dell'angolazione di scarico dell'apparecchio.
- Non dirigere mai lo scarico verso le persone presenti e assicurarsi che nessuno si trovi di fronte allo spartineve a turbina.
- Non usare mai lo spartineve a turbina nella neve ad alte velocità.
- Non sovraccaricare la capacità della macchina cercando di eliminare la neve ad un ritmo troppo elevato.
- Non far funzionare mai la macchina ad alta velocità su superfici sdrucciolevoli. Quando si indietreggia, guardare all'indietro e fare attenzione.
- Fare attenzione al traffico e quando si attraversa la strada ferrata o si lavora nei pressi di essa.
- Disattivare la corrente allo spartineve a turbina quando si trasporta o quando non si usa.
- Usare solo accessori approvati dal produttore dello spartineve a turbina (quali ruote, pesi, contrappesi, cabine ecc.)
- Non far funzionare mai lo spartineve a turbina senza buona visibilità o luce adeguata.

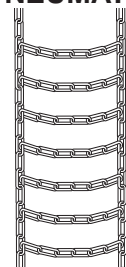
### IMPORTANTE:

I pesi delle ruote posteriori e le catene per pneumatici sono articoli necessari per assicurare migliore trazione e stabilità al trattore, quando si usa questo spartineve a turbina come accessorio. Questi articoli sono disponibili al momento di acquistare il trattore.

#### PESI DELLE RUOTE



#### CATENE PER PNEUMATICI



# MONTAGGIO

## ATTREZZI RICHIESTI PER IL MONTAGGIO

- (2) Chavi da 7/16" (11 mm)
- (2) Chavi da 1/2" (12 mm)
- (2) Chavi da 9/16" (14 mm)
- (2) Chavi da 3/4" (19 mm)
- (1) Cacciavite
- (1) Coltello

## ARTICOLI ADDIZIONALI RICHIESTI

Grasso multus

## RIMOZIONE DELLE PARTI DAL CARTONE

- Rimuovere dal cartone tutte le parti e i pacchetti della bulloneria. Spargere tutte le parti e la bulloneria ed identificarli usando le illustrazioni a pagina 2 e 5.

**NOTA:** Non tutte le parti ed i dispositivi di fissaggio forniti saranno necessari per il vostro particolare trattore. Gli articoli non necessari possono essere smaltiti dopo aver completato il montaggio e controllato il funzionamento dell'unità. **NON SMALTIRE** i due bulloni di riserva (N) ed i dadi nylock da 5/16" (Y). Fare riferimento alla sezione Riparazioni e Manutenzione a pagina 72.

**ATTENZIONE:** prima di iniziare a montare lo spartineve a turbina, rimuovere il filo (o i fili) della candela, inserire il freno di parcheggio e rimuovere la chiave di accensione del trattore.

## PREPARAZIONE DEL TRATTORE

Prima di eseguire queste istruzioni, fare riferimento alla sezione Riparazioni e Regolazioni del manuale per le istruzioni di sicurezza specifiche.

- Prima di iniziare, lasciar raffreddare il motore, la marmitta e il deflettore di scarico.
- Rimuovere tutti gli accessori anteriori e posteriori montati sul trattore
- Rimuovere la piattaforma di falciatura. Fare riferimento al manuale del proprietario del trattore per le istruzioni di rimozione. Segnare tutte le parti sciolte e metterle da parte per il rimontaggio.
- Rimuovere il cofano del trattore. Fare riferimento al manuale del proprietario del trattore per le istruzioni di rimozione.

**IMPORTANTE:** il lato destro (R.H.) e il lato sinistro (L.H.) del trattore sono determinati dalla posizione dell'operatore quando è seduto sul trattore.

## COME IDENTIFICARE IL TRATTORE

### FASE 1: (VEDERE LA FIGURA 1)

- Guardare sotto la parte anteriore del trattore. Se vi è una singola staffa di sospensione del piano di supporto della falciatrice, situata sotto la parte mediana dell'assale anteriore, continuare con la fase 2. Se il trattore non è dotato di una staffa di sospensione del piano di supporto della falciatrice, situata sotto la parte mediana dell'assale anteriore, saltare alla fase 21 a pagina 66 per i trattori con doppia staffa di sospensione

## ISTRUZIONI PER I TRATTORI CON UNA SOLA STAFFA DI SOSPENSIONE DEL PIANO DI SUPPORTO ANTERIORE

### FASE 2: (VEDERE LA FIGURA 2)

- Rimuovere lo schermo termico dalla parte anteriore del trattore, come mostrato. Tenere lo schermo quando si rimuove la seconda vite per evitare che cada.
- Assicurarsi di reinstallare lo schermo termico quando le istruzioni lo richiedono alla fase 3.

## INSTALLAZIONE DELLE PIASTRE LATERALI

### FASE 3: (VEDERE LA FIGURA 3)

- Serrare la piastra del lato destro (la piegatura rivolta all'esterno) ai tre fori frontali nel telaio del trattore, usando tre chiavarde a testa rotonda (G) da 3/8" x 1", tre rondelle (R) da 1/2" (vedere la nota) e tre dadi a colletto (X) da 3/8" (X). Per il foro posteriore usare una chiavarda a testa rotonda (J) da 5/16" x 1", una rondella (R) da 1/2" e un dado nylock (Y) da 5/16". Porre la rondella (R) tra il telaio del trattore e la piastra laterale. Ripetere la procedura per la piastra laterale sinistra.
- Reinstallare lo schermo termico nel telaio del trattore usando le viti originali.

**NOTA:** se vi è una piastra di montaggio del motore (mostrata con linee tratteggiate) lasciare la rondella da 1/2" fuori del bullone che fuoriesce dalla piastra.

### FASE 4: (VEDERE LA FIGURA 4)

- Montare una vite con gambo parzialmente filettato (L) ed una rondella (T) da 3/8" (T) alla parte esterna della piastra del lato destro, assicurando con un dado a colletto (X) da 3/8". Ripetere l'operazione per il lato destro.

## INSTALLARE LE STAFFE DI SOSPENSIONE E LE VITI CON GAMBO PARZIALMENTE FILETTATO ALL'ESTERNO DEL TELAIO

### FASE 5: (VEDERE LA FIGURA 5)

- Rimuovere il bullone, se è presente, nel foro direttamente dietro l'asta del freno, sul lato sinistro del telaio del trattore.
- Attaccare la staffa di sospensione sinistra (tubo che fuoriesce) al foro, usando un bullone autofilettante (F) da 5/16" x 3/4".
- Installare una vite con gambo parzialmente filettato (M) nel foro che è a 24 cm dal retro del bullone appena installato. Assicurarla con un dado a colletto (X) da 3/8" all'interno del telaio.

### FASE 6: (VEDERE LA FIGURA 6)

- Rimuovere la staffa, se presente, dal foro direttamente dietro il termine dell'asta del freno, sul lato destro del telaio del trattore. Conservare la staffa e il bullone.
- Attaccare la staffa di sospensione destra al foro, usando un bullone autofilettante (F) da 5/16" x 3/4" (F).
- Installare una vite con gambo parzialmente filettato (M) nel foro che si trova a 24 cm sul retro del bullone appena installato. Assicurarla con un dado a colletto (X) da 3/8" sul lato interno del telaio.

### FASE 7: (VEDERE LA FIGURA 7)

- Attaccare la puleggia (l'estremità lunga del mozzo rivolta in basso) e il grande distanziale (MM) verso il foro mostrato nel gruppo innesto/pulegge folli. Usare un bullone esagonale (A) da 3/8" x 3-1/4", una rondella (T) da 3/8", una rondella elastica (O) da 3/8" (O) e un controdado esagonale (Z) da 3/8".

## QUESTA SEZIONE SI RIFERISCE AI TRATTORI CON UN INNESTO MANUALE DELL'ACCESSORIO

Se il trattore è dotato di un innesto elettrico dell'accessorio, andare alla fase 14 a pagina 65.

### FASE 8: (VEDERE LA FIGURA 8)

- Attaccare due bracci di sospensione alla parte posteriore del gruppo puleggia/folle usando due bulloni esagonali (C) da 5/16" x 3/4" e dadi nylock (Y) da 5/16" per ogni braccio. Porre i bracci all'esterno del telaio con gli intagli verso il retro.



#### FASE 9: (VEDERE LA FIGURA 9)

- Attaccare la staffa del cavo nella fessura mostrata nel gruppo innesto/pulegge folli, usando una chiavarda a testa rotonda (K) da 5/16" x 3/4" e un dado nylock(Y) da 5/16". Porre il bullone nel foro anteriore della staffa e nell'estremità della fessura più vicina alla puleggia. Non serrare ancora.

#### FASE 10: (VEDERE LA FIGURA 10)

- Due cinghie motrici di diversa lunghezza sono fornite con lo spartineve a turbina. I trattori con innesti manuali dell'accessorio e con staffe di sospensione sul piano di supporto anteriore usano la cinghia motrice da 56" (142 cm) con stampato il no. 48138 all'esterno della cinghia. **NON USARE** l'altra cinghia.
- Allentare leggermente il bullone esagonale vicino alla puleggia folle piatta. Installare la cinghia in basso tra il bullone esagonale e la puleggia, con il lato piatto della cinghia contro la puleggia. Riserrare il bullone esagonale.
- Avvolgere la cinghia intorno alla puleggia grande trapezoidale, ponendola tra la puleggia e il bullone esagonale, che si trova vicino alla puleggia. Porre la cinghia all'interno dell'altra puleggia folle piatta.



Avete scelto la cinghia motrice corretta per il vostro trattore? Usando una cinghia di lunghezza non corretta si può produrre una deviazione o una rottura prematura della cinghia.

#### FASE 11: (VEDERE LA FIGURA 11)

- Muovere la leva d'innesto dell'accessorio sul cruscotto in posizione disinserita (in basso).
- Porre il gruppo innesto/pulegge folli per terra, a destra del trattore.
- Attaccare il cavo dell'innesto del trattore alla staffa. Assicurare la guida dell'alloggiamento del cavo (scanalatura in basso) alla staffa, usando il collare originale e la chiavetta a forcina (DD) da 5/64".
- Porre un distanziale (LL) sul perno saldato sul braccio della puleggia folle. Agganciare l'estremità della molla del cavo dell'innesto sul perno ed assicurarlo con una rondella (P) da 1/4" e la chiavetta a forcina (DD) da 5/64".
- Allineare la staffa del cavo con il perno saldato e serrare il dado che è stato montato nella fase 9.

#### ATTACCO DEL GRUPPO INNESTO/ PULEGGE FOLLI DEL TRATTORE

#### FASE 12: (VEDERE LA FIGURA 12)

- Attaccare il gruppo innesto/pulegge folli al telaio del trattore. Agganciare i bracci dentellati della sospensione sulle due viti con gambo parzialmente filettato (M), montate sul lato esterno del telaio del trattore. Sollevare la parte anteriore del gruppo e attaccarla alle staffe di sospensione destra e sinistra usando, due spinotti di fissaggio ruotanti (GG) e due chiavette a forcina da 1/8" (EE).

#### FASE 13: (VEDERE LA FIGURA 13)

- Montare la cinghia motrice prima nella puleggia motrice e, quindi, sulla puleggia grande, che si trova al di sopra del gruppo innesto/pulegge folli. La cinghia deve essere posta all'interno dei dispositivi di fissaggio della puleggia motrice e tra la grande puleggia e il bullone di fissaggio vicino.

**IMPORTANTE:** Non montare la cinghia a V al di fuori dei dispositivi di fissaggio della puleggia motrice o al di fuori del bullone di fissaggio vicino alla grande puleggia.

- Andare alla fase 48 a pagina 68.

#### QUESTA SEZIONE È DEDICATA AI TRATTORI CON UN INNESTO ELETTRICO DELL'ACCESSORIO

#### FASE 14: (VEDERE LA FIGURA 14)

- Attaccare i due bracci di sospensione alla parte posteriore del gruppo innesto/pulegge folli, usando due bulloni esagonali (C) da

5/16" x 3/4" e due bulloni nylock (Y) da 5/16" per ogni braccio. Porre i bracci sul lato sinistro del telaio con le dentellature verso il retro.

#### FASE 15: (VEDERE LA FIGURA 15)

- Girare il gruppo innesto/pulegge folli dall'alto verso il basso e porre le catene di messa in tensione (JJ) attraverso il foro sinistro anteriore.

#### FASE 16: (VEDERE LA FIGURA 16)

- Agganciare un'estremità della molla fornita nella borsa delle parti, attraverso la connessione terminale della catena di messa in tensione.
- Con il gruppo innesto/pulegge folli girato dall'alto verso il basso, agganciare l'altra estremità della molla sull'estremità del bullone e del dado, che assicurano la puleggia folle al braccio superiore della puleggia folle. Montare un controdado esagonale (Z) da 3/8" sul bullone e il dado, lasciando abbastanza spazio, tra i dadi in modo che la molla possa ruotare liberamente.

#### SELEZIONARE LA CINGHIA DI GUIDA CORRETTA (trattori con innesto elettrico con un'unica staffa di sospensione del piano di supporto anteriore)

#### FASE 17: (VEDERE LA TABELLA 1)

- Due cinghie motrici di differente lunghezza sono fornite con lo spartineve a turbina. Usare la tabella seguente per selezionare la cinghia motrice corretta per il vostro trattore. Il numero di parte è stampato sul lato esterno della cinghia.
- Mettere da parte la cinghia non adatta al vostro trattore per evitare di usarla accidentalmente.

CINGHIA DA 55" (149 cm) (no. PARTE 46989)		
TIPO DI TRATTORE	DIMENSIONE PIANO DI SUPPORTO	TIPO DI INNESTO
Trattore per prati (LT)	38" (96 cm), 42" (106 cm)	Elettrico
CINGHIA DA 56" (142 cm) (no. PARTE 48138)		
TIPO DI TRATTORE	DIMENSIONE PIANO DI SUPPORTO	TIPO DI INNESTO
Trattore per prati (LT)	48", (122 cm)	Elettrico
Trattore da giardino (GT)	48" (122 cm), 54" (137 cm)	Elettrico

#### FASE 18: (VEDERE LA FIGURA 17)

- Girare verso l'alto il lato destro del gruppo innesto/pulegge folli.
- Allentare leggermente il bullone esagonale vicino alla puleggia folle piatta. Installare la cinghia motrice in basso tra il bullone esagonale e la puleggia folle piatta con il lato piatto della cinghia contro la puleggia. Riserrare il bullone esagonale.
- Avvolgere la cinghia intorno alla puleggia grande a V, ponendola tra la puleggia a V e il bullone esagonale vicino alla puleggia.



Avete scelto la cinghia motrice corretta per il vostro trattore? Usando una cinghia di lunghezza non corretta si può produrre una deviazione o una rottura prematura della cinghia.

#### FASE 19: (VEDERE LA FIGURA 18)

- Attaccare il gruppo innesto/pulegge folli al telaio del trattore. Agganciare i bracci di sospensione dentellati sulle due viti con gambo parzialmente filettato (M), montate sul lato esterno del telaio del trattore. Sollevare il lato anteriore del gruppo ed attaccarlo ai bracci di sospensione destro e sinistro, usando due spinotti di bloccaggio (GG) e due chiavette a forcina (EE) da 1/8" (EE).

## FASE 20: (VEDERE LA FIGURA 19)

- Montare la cinghia motrice sulla puleggia motrice prima e, quindi, sulla grande puleggia sulla parte superiore del gruppo innesto/pulegge folli. Porre la cinghia all'interno della puleggia folle e il bullone del fissatore della puleggia situato vicino alla grande puleggia.
- Mettere la cinghia sotto tensione, tirando la catena di messa in tensione del lato sinistro (JJ), fino a che la chiavetta a forcilla da 3/32" lo consente. Assicurare la catena in questa posizione, inserendo una chiavetta a forcilla (EE) da 1/8" attraverso la catena.

**IMPORTANTE:** Non montare la cinghia motrice intorno al lato esterno del bullone di fissaggio vicino alla grande puleggia.

- Andare alla fase 48 a pagina 68.

## ISTRUZIONI PER TRATTORI CON DUE STAFFE DI SOSPENSIONE DEL PIANO DI APPOGGIO ANTERIORE

### SERRARE LE PIASTRE LATERALI AL TRATTORE

Se il trattore somiglia alla figura 20, andare alla fase 21.

Se il trattore somiglia alla figura 22, andare alla fase 23.

### FASE 21: (VEDERE LA FIGURA 20)

- Rimuovere i bulloni dai tre fori mostrati.
- Se un bullone è presente nel quarto foro, sostituirlo con una chiavarda a testa rotonda (J) da 5/16" x 1" senza dado. La staffa attaccata all'interno del telaio deve restare in posizione.

### FASE 22: (VEDERE LA FIGURA 21)

- Attaccare la piastra destra (la curva rivolta all'esterno) ai tre fori anteriori mostrati nel telaio del trattore, usando tre bulloni autofilettanti (E) da 3/8" x 1", tre rondelle di sicurezza (O) da 3/8" ed una rondella (R) da 1/2", posta sul terzo bullone per fare la funzione di spessore tra la piastra laterale e il telaio. Serrare tutti i bulloni. Ripetere l'operazione per il lato sinistro.

**NOTA:** se si installa un bullone nel quarto foro nella fase 21, montare un dado a colletto (W) da 5/16" sul bullone, dopo aver installato la piastra laterale.

- Andare alla fase 25 di questa pagina.

### FASE 23: (VEDERE LA FIGURA 22)

- Rimuovere tutti i bulloni trovati nei fori mostrati.

### FASE 24: (VEDERE LA FIGURA 23)

- Attaccare la piastra laterale destra (la curva rivolta all'esterno) ai tre fori mostrati nel telaio del trattore. Usare tre bulloni autofilettanti (E) da 3/8" x 1", rondelle di sicurezza (O) da 3/8" e rondelle (R) da 1/2". Usare le rondelle da 1/2" come spessori tra la piastra laterale e il telaio del trattore. Serrare tutti i bulloni e ripetere l'operazione sul lato sinistro.

**NOTA:** se il bullone si inserisce liberamente nel foro anteriore, montare un dado a colletto (X) da 3/8" sul bullone.

### FASE 25: (VEDERE LA FIGURA 24)

- Montare una vite con gambo parzialmente filettato (L) ed una rondella (T) da 3/8" all'esterno di ciascuna piastra esterna, assicurandole con un dado a colletto da 3/8".

## INSTALLAZIONE DELLE STAFFE DI SOSPENSIONE

Per ottenere maggiore spazio, abbassare i bracci di sospensione del trattore, usando le leve di sollevamento dell'accessorio.

### FASE 26: (VEDERE LA FIGURA 25 o 26)

#### Sui trattori con staffe poggia piedi

- Rimuovere il bullone e il dado che serrano le staffe poggiapiedi sinistra e destra al telaio.

- Attaccare la staffa di sospensione sinistra (con il segno "L") al lato interno del telaio del trattore, usando due chiavarde a testa rotonda (G) da 3/8" x 1" e i dadi a colletto (X) da 3/8". Le teste dei bulloni vanno sul lato interno del telaio del trattore. Ripetere l'operazione per il lato destro.

#### Sui trattori senza staffe poggiapiedi

- Trovare il foro vuoto sotto al poggiapiedi. Attaccare la staffa di sospensione sinistra (con il segno "L") al lato interno del telaio, usando una chiavarda a testa rotonda (G) da 3/8" x 1" e un dado a colletto (X) da 3/8". La testa del bullone va all'interno del telaio del trattore. Ripetere la procedura per il lato destro.

## INSTALLAZIONE DELLE VITI CON GAMBO PARZIALMENTE FILETTATO

### FASE 27: (VEDERE LA FIGURA 27)

- Rimuovere il bullone, la rondella e il dado che serrano la staffa della barra stabilizzatrice al lato sinistro del telaio del trattore. Sostituirli con una vite con gambo parzialmente filettato (L) ed un dado a colletto (X) da 3/8". Il bullone va all'interno del telaio.

### FASE 28: (VEDERE LA FIGURA 28)

- Montare una vite con gambo parzialmente filettato (L) e un dado a colletto (X) da 3/8" al lato destro del telaio del trattore, usando il primo foro vuoto sul retro della staffa di sospensione destra. Il bullone va all'interno del telaio.

## INSTALLAZIONE DEL GRUPPO INNESTO/PULEGGE FOLLI

Questa sezione copre l'installazione del gruppo innesto/pulegge folli ai trattori con innesti di accessori che sono eseguiti con asta (66), con cavo (p. 67) o elettricamente (p. 67). Seguire le istruzioni appropriate al proprio trattore.

## INNESTO MANUALE DELL'ACCESSORIO OPERATO CON ASTA

### FASE 29: (VEDERE LA FIGURA 29)

- Muovere la leva dell'innesto dell'accessorio sul cruscotto in posizione disinserita (verso il basso).
- Svitare il perno di articolazione (CC) sull'estremità dell'asta di inserimento dello spartineve a turbina.
- Localizzare il braccio dell'innesto (dove l'asta è stata collegata) al di sotto del lato destro del trattore, giusto all'interno del braccio di sospensione. Se vi è un'estensione attaccata alla leva dell'innesto, l'estensione, il bullone e il dado devono essere rimossi e conservati con il piano di supporto del trattore.

**IMPORTANTE:** Riattaccare l'estensione alla leva dell'innesto prima di reinstallare il piano di supporto.

- Posizionare l'asta di inserimento all'interno del braccio dell'innesto ed inserire l'estremità forata dell'asta attraverso il braccio. Assicurare con una chiavetta a forcilla (DD) da 5/64".

### FASE 30: (VEDERE LA FIGURA 30)

- Attaccare i due bracci di sospensione all'interno del gruppo innesto/pulegge folli, usando due bulloni esagonali (C) da 5/16" x 3/4", due rondelle (Q) da 5/16" e due dadi nylock (Y) da 5/16" per ciascun braccio. Porre le rondelle tra i bracci ed il telaio di montaggio.

### FASE 31: (VEDERE LA FIGURA 31)

- Due cinghie motrici di diversa lunghezza sono fornite con lo spartineve a turbina. I trattori con innesti manuali dell'accessorio e con staffe di sospensione sul piano d'appoggio anteriore usano la cinghia motrice da 55" (140 cm) con stampato il no. 46989 della cinghia. NON USARE l'altra cinghia.
- Allentare leggermente il bullone esagonale vicino alla puleggia folle piatta. Installare la cinghia in basso tra il bullone esagonale e la puleggia con il lato piatto della cinghia contro la puleggia. Riserrare il bullone esagonale.
- Avvolgere la cinghia intorno alla puleggia grande trapezoidale, ponendola tra la puleggia e il bullone esagonale vicino alla puleggia.



Avete scelto la cinghia motrice corretta per il vostro trattore? Usando una cinghia di lunghezza non corretta si può produrre una deviazione o una rottura prematura della cinghia.

#### FASE 32: (VEDERE LA FIGURA)

- Assicurarsi di sollevare l'estremità anteriore dell'asta di inserimento come mostrato, quando si esegue l'operazione seguente. Si può sostenere temporaneamente l'asta usando una striscia di gomma legata al fissatore della puleggia motrice.
- Attaccare il gruppo innesto/pulegge folli al telaio del trattore come segue. Agganciare i bracci dentellati del gruppo sulle due viti con gambo parzialmente filettato, montate all'interno del telaio del trattore. Sollevare la parte anteriore del gruppo e attaccarla alle staffe di sospensione destra e sinistra, usando due spinotti di bloccaggio ruotanti (GG) e due chiavette a forcella (EE) da 1/8".

#### FASE 33: (VEDERE LA FIGURA 33)

- Assicurarsi che la leva dell'innesto dell'accessorio sul cruscotto sia in posizione disinserita (in basso).
- Ruotare il braccio della puleggia folle superiore, in modo che si mantenga contro il bullone di arresto e sia puntato in avanti, come mostrato. Svitare il perno di articolazione (CC) lungo le filettature dell'asta di inserimento fino a che sia allineato all'estremità anteriore della scanalatura del braccio della puleggia folle. Attaccare il perno di articolazione (CC) alla scanalatura, usando la rondella sottile (S) da 3/8" ed una chiavetta a forcella (DD) da 5/64".
- Rimuovere il fissatore della puleggia motrice dal lato del telaio del trattore, togliendo la rondella e il dado che fissano il dispositivo di fissaggio. Attaccare il nuovo fissatore fornito con lo spartineve a turbina, riutilizzando il bullone, la rondella e il dado originali.

**NOTA:** alcuni trattori possono essere già equipaggiati con un fissatore identico a quello nuovo fornito.

#### FASE 34: (VEDERE LA FIGURA 34)

- Montare la cinghia a "V" corta nella puleggia motrice e, quindi, nella puleggia grande sulla parte superiore del gruppo innesto/pulegge folli. La cinghia deve essere posta all'interno del fissatore della puleggia motrice, la puleggia folle e il bullone di fissaggio, situati vicino alla puleggia grande.

**IMPORTANTE:** Non montare la cinghia a "V" intorno alla parte esterna del fissatore della puleggia motrice o del bullone di fissaggio.

- **Andare alla fase 48 a pagina 68.**

### INNESTO MANUALE DELL'ACCESSORIO CON CAVO

#### FASE 35: (VEDERE LA FIGURA 35)

- Attaccare i due bracci di sospensione al retro del gruppo innesto/pulegge folli, usando due bulloni esagonali (C) da 5/16" x 3/4", due rondelle (Q) da 5/16" e due dadi nylock da 5/16" per ciascun braccio. Porre i bracci sull'esterno del telaio con le dentellature rivolte verso la parte posteriore.

#### FASE 36: (VEDERE LA FIGURA 36)

- Montare la staffa del cavo al gruppo innesto/pulegge folli, usando due chiavette a testa rotonda (K) da 5/16" x 3/4", due dadi nylock (Y) da 5/16". Usare i due fori anteriori nella staffa del cavo, se il trattore ha un piano di appoggio di 42" (106 cm). Usare i due fori posteriori se il trattore ha un piano di appoggio di 46" (117 cm).

#### FASE 37: (VEDERE LA FIGURA 37)

- Due cinghie motrici di diversa lunghezza sono fornite con lo spartineve a turbina. I trattori con innesti manuali dell'accessorio e con staffe di sospensione sul piano d'appoggio anteriore, usano la cinghia motrice da 55" (140 cm) con stampato il no. 46989 della cinghia. **NON USARE** l'altra cinghia.

- Allentare leggermente il bullone esagonale vicino alla puleggia folle piatta. Installare la cinghia in basso tra il bullone esagonale e la puleggia, con il lato piatto della cinghia contro la puleggia. Riserrare il bullone esagonale.
- Avvolgere la cinghia intorno alla puleggia grande trapezoidale, ponendola tra la puleggia e il bullone esagonale sotto la puleggia.



Avete scelto la cinghia motrice corretta per il vostro trattore? Usando una cinghia di lunghezza non corretta si può produrre una deviazione o una rottura prematura della cinghia.

#### FASE 38: (VEDERE LA FIGURA 38)

- Muovere la leva dell'innesto dell'accessorio sul cruscotto in posizione disinserita (in basso).
- Porre il gruppo innesto/pulegge folli per terra, a destra del trattore.
- Attaccare il cavo di innesto del trattore alla staffa. Assicurare il fissatore dell'alloggiamento del cavo (scanalatura in basso) alla staffa, usando il collare originale e la chiavetta a forcella (DD) da 5/64".
- Porre un distanziale (LL) sul perno saldato sul braccio della ruota folle. Agganciare l'estremità della molla del cavo dell'innesto sul perno ed assicurarlo con una rondella (P) da 1/4" e la chiavetta a forcella (DD) da 5/64".

#### FASE 39: (VEDERE LA FIGURA 39)

- Rimuovere il fissatore della puleggia motrice dal lato del telaio del trattore, togliendo la rondella e il dado che fissano il dispositivo. Attaccare il nuovo fissatore fornito con lo spartineve a turbina, riutilizzando bullone, rondella e dado originali.

**NOTA:** alcuni trattori possono essere già equipaggiati con un fissatore identico a quello nuovo fornito.

- Attaccare il gruppo innesto/pulegge folli al telaio del trattore come segue. Agganciare i bracci dentellati sulle due viti con gambo parzialmente filettato già montate all'interno del telaio del trattore. Sollevare la parte anteriore del gruppo e attaccarla alle staffe di sospensione destra e sinistra, usando due spinotti di bloccaggio ruotanti (GG) e due chiavette a forcella (EE) da 1/8".

#### FASE 40: (VEDERE LA FIGURA 40)

- Montare la cinghia a "V" corta nella puleggia motrice e, quindi, nella puleggia grande sulla parte superiore del gruppo innesto/pulegge folli. La cinghia deve essere posta all'interno del fissatore della puleggia motrice, la puleggia folle e il bullone di fissaggio situati vicino alla puleggia grande.

**IMPORTANTE:** Non montare la cinghia a "V" intorno alla parte esterna del fissatore della puleggia motrice o del bullone di fissaggio.

- **Andare alla fase 48 a pagina 68.**

### INNESTI ELETTRICI DELL'ACCESSORIO

#### FASE 41: (VEDERE LA FIGURA 41)

- Attaccare i due bracci di sospensione al retro del gruppo innesto/pulegge folli, usando due bulloni esagonali (C) da 5/16" x 3/4", due rondelle (Q) da 5/16" e due dadi nylock da 5/16" per ciascun braccio. Porre i bracci sull'esterno del telaio con le dentellature rivolte verso la parte posteriore.

#### FASE 42: (VEDERE LA FIGURA 42)

- Far passare la catena di messa in tensione extra (JJ) attraverso il foro anteriore sinistro nel gruppo innesto/pulegge folli e, quindi, rivoltare il gruppo dall'alto in basso.

#### FASE 43: (VEDERE LA FIGURA 43)

- Agganciare la molla presa dalla borsa dei ricambi all'estremità della catena di messa in tensione.
- Agganciare l'altra estremità della molla sul fondo del bullone e del dado, che fissano la puleggia folle al braccio della puleggia folle superiore. Tenere la testa del bullone e montare un controdado esagonale (Z) da 3/8" sul bullone, lasciando abbastanza spazio per far ruotare la molla liberamente attraverso i due dadi.
- Attaccare la chiavetta a forcella (FF) da 3/32" alla catena, ponendola nel quinto anello, partendo dalla molla.

#### FASE 44: (VEDERE LA TABELLA 2)

- Due cinghie motrici di diversa lunghezza sono fornite con lo spartineve a turbina. Usare la tabella seguente per selezionare la cinghia motrice corretta per il proprio trattore. Il numero di parte è stampigliato sulla parte esterna della cinghia.
- Mettere da parte la cinghia non adatta al proprio trattore per evitare di usarla accidentalmente.

CINGHIA DA 55" (149 cm) (no. PARTE 46989)		
TIPO DI TRATTORE	DIMENSIONE PIANO DI SUPPORTO	TIPO DI INNESTO
Trattore per prati (LT)	38" (96 cm), 42" (106 cm), 46" (116 cm)	Elettrico
CINGHIA DA 56" (142 cm) (no. PARTE 48138)		
TIPO DI TRATTORE	DIMENSIONE PIANO DI SUPPORTO	TIPO DI INNESTO
Trattore per prati (LT)	48", (122 cm)	Elettrico

#### FASE 45: (VEDERE LA FIGURA 44)

- Girare verso l'alto il lato destro del gruppo innesto/pulegge folli.
- Allentare leggermente il bullone esagonale vicino alla puleggia folle piatta. Installare la cinghia motrice in basso tra il bullone esagonale e la puleggia folle piatta con il lato piatto della cinghia contro la puleggia. Riserrare il bullone esagonale.
- Avvolgere la cinghia intorno alla puleggia grande a V, ponendola tra la puleggia a V e il bullone esagonale vicino alla puleggia. Porre la cinghia all'interno dell'altra puleggia folle piatta.



Avete scelto la cinghia motrice corretta per il vostro trattore? Usando una cinghia di lunghezza non corretta si può produrre una deviazione o una rottura prematura della cinghia.

#### FASE 46: (VEDERE LA FIGURA 45)

- Attaccare il gruppo innesto/pulegge folli al telaio del trattore come segue. Agganciare i bracci dentellati sulle due viti con gambo parzialmente filettato già montate all'interno del telaio del trattore. Sollevare la parte anteriore del gruppo e attaccarla alle staffe di sospensione destra e sinistra, usando due spinotti di bloccaggio ruotanti (GG) e due chiavette a forcella (EE) da 1/8".

#### FASE 47: (VEDERE LA FIGURA 46)

- Montare la cinghia motrice sulla puleggia motrice e, quindi, sulla puleggia grande sulla parte posteriore del gruppo innesto/pulegge folli. La cinghia deve essere posta all'interno della puleggia folle e il bullone di fissaggio situato vicino alla puleggia grande.
- Mettere la cinghia sotto tensione tirando la catena di messa in tensione del lato sinistro, fino a che la chiavetta a forcella (FF) da 3/32" lo consente. Assicurare la catena in questa posizione inserendo una chiavetta a forcella (EE) da 1/8" attraverso la catena.

**IMPORTANTE:** Non montare la cinghia a "V" intorno alla parte esterna del fissatore della puleggia motrice o del bullone di fissaggio.

## MONTAGGIO DELLO SPARTINEVE A TURBINA

#### FASE 48: (VEDERE LA FIGURA 47)

- Porre la maniglia sinistra nella staffa di sollevamento sul lato destro dello spartineve a turbina. Serrare la maniglia alla staffa, usando due bulloni esagonali (B) da 5/16" x 1-3/4" e due dadi nylock (Y) da 5/16".

**NOTA:** assicurarsi che la copertura di plastica del cavo flessibile di sollevamento resti inserita nel gruppo della levetta di comando per la prossima fase.

#### FASE 49: (VEDERE LA FIGURA 48)

- Spingere la maniglia sinistra verso il basso in posizione bloccata. Inserire l'estremità del cavo nel foro nell'asta di sollevamento. Porre il giunto filettato nella fessura nella staffa di sollevamento, con un dado esagonale al di sopra, ed un dado esagonale ed una rondella elastica al di sotto della fessura. Serrare i dadi, regolandoli in modo da eliminare allentamenti nel cavo. Fare riferimento anche alla sezione Riparazioni e Regolazioni a pagina 72 di questo manuale.

**CONSIGLIO:** per facilitare il montaggio sul cavo flessibile di sollevamento, inclinare lo spartineve a turbina in avanti sulla coclea a spirale.

#### FASE 50: (VEDERE LA FIGURA 49)

- Inclinare lo spartineve a turbina di nuovo in basso verso il terreno.
- Rimuovere il tirante di nylon che serra la cinghia di comando della coclea all'alloggiamento dello scarico, lasciando la cinghia montata intorno alle pulegge.
- Rimuovere il tirante di nylon che serra l'asta della manovella dello scarico al tubo di supporto dell'asta della manovella.
- Montare il tubo di supporto dell'asta della manovella alla staffa sul lato sinistro dell'alloggiamento dello scarico, usando due chiavarde a testa rotonda (I) da 5/16" x 1-1/4" e due dadi nylock (Y) da 5/16" (Y).

#### FASE 51: (VEDERE LA FIGURA 50)

- Attaccare il gruppo di comando di inclinazione dello scivolo al lato superiore del tubo di supporto della manovella, usando due chiavarde a testa rotonda (H) da 5/16" x 1-3/4", due rondelle arcuate (U) da 5/16" e due dadi nylock (Y) da 5/16".

#### FASE 52: (VEDERE LA FIGURA 51)

- Attaccare il gruppo asta della manovella dello scivolo alla staffa di plastica a sinistra dell'alloggiamento dello scarico. Allineare la staffa della manovella dello scivolo alla staffa di supporto dell'asta e montare entrambe alla staffa di plastica, usando due chiavarde a testa rotonda (J) da 5/16" x 1", due rondelle (Q) da 5/16" e due dadi nylock (Y) da 5/16". Non serrare ancora.

#### FASE 53: (VEDERE LA FIGURA 52)

- Ungere la parte superiore dell'anello intorno all'apertura dello scarico con del grasso multiusi.
- Porre lo scivolo di scarico (rivolto in avanti) sull'anello. Porre la staffa anti-rotazione sulla parte superiore della flangia dello scivolo, allineandola con i fori sul lato destro della flangia. Attaccare i tre dispositivi di fissaggio dello scivolo (BB) (lato destro in alto come mostrato) al fondo della flangia, usando sei bulloni esagonali (D) da 1/4" x 1", sei rondelle piatte (P) da 1/4" e sei 1/4" dadi a colletto (V) da 1/4". Serrare bene, in modo che i dadi siano serrati ma non scavinò in profondità nella plastica dei dispositivi di fissaggio dello scivolo.
- Porre il tappo di plastica (HH) nell'estremità piccola della staffa anti-rotazione.
- Posizionare la spirale dell'asta della manovella (vedere la figura 51), in modo che non sfregi contro i fondi delle dentellature nella flangia dello scivolo. Serrare i dadi.
- Controllare se l'asta della manovella faccia ruotare lo scivolo liberamente. Altrimenti allentare di 1/4 di giro ciascuno dei sei bulloni che tengono i dispositivi di fissaggio dello scivolo alla flangia dello scivolo.
- Assicurare i cavi di comando al tubo di supporto dell'asta della manovella usando un tirante di nylon (II).

#### **FASE 54: (VEDERE LA FIGURA 53)**

**Saltare questa fase se si ha un trattore per prati.**

**Questa fase è solo per i trattori per giardino.**

- Se si ha un trattore da giardino (GT), rimuovere i bulloni di arresto da ogni lato del telaio dello spartineve a turbina.

#### **ATTACCO DELLO SPARTINEVE A TURBINA AL TRATTORE**

**NOTA:** l'aiuto di una persona addizionale può essere necessario per montare lo spartineve a turbina al lato anteriore del trattore.

#### **FASE 55: (VEDERE LA FIGURA 54)**

- Porre lo spartineve a turbina ed il trattore su una superficie piana e livellata in modo che il trattore possa essere mosso in avanti per attaccare lo spartineve a turbina.
- Rimuovere il perno di attacco dello spartineve a turbina.
- Estendere la cinghia della coclea in fuori dietro lo spartineve a turbina, assicurandosi che la cinghia sia ancora avvolta sulla parte superiore della grande puleggia motrice e al di sotto delle due pulegge folli. Il lato a "V" della cinghia deve essere sistemato nelle scanalature di tutte e tre le pulegge.
- Far avanzare il trattore dietro lo spartineve a turbina, centrandolo tra le piastre di montaggio dello spartineve a turbina.
- Sollevare il retro dello spartineve a turbina sollevandolo sulla maniglia sinistra, fino a che le dentellature delle piastre di montaggio si allineino con le viti con gambo parzialmente filettato nelle piastre laterali del trattore. Guidare i bulloni negli intagli.
- Per facilitare il montaggio della cinghia di comando della coclea, ritardare l'installazione del perno di attacco fino a che la cinghia sia stata montata secondo le istruzioni delle fasi 56 ed 57.

#### **PRIMA DELL'INSTALLAZIONE DELLA CINGHIA DELLA TRIVELLA**

#### **FASE 56: (VEDERE LA FIGURA 55)**

- La cinghia della trivella è fornita già montata nelle pulegge sull'alloggiamento dello spartineve a turbina. Assicurarsi che la cinghia passi sopra la parte superiore della puleggia della coclea e quindi ruoti di 1/4 di giro, per passare al di sotto di ogni lato della puleggia della coclea. Il lato a "V" della cinghia deve corrispondere con le scanalature delle pulegge.

#### **INSTALLAZIONE DELLA CINGHIA DELLA COCLEA**

#### **FASE 57: (VEDERE LA FIGURA 56)**

- Spingere la maniglia di sollevamento in basso per aumentare l'allentamento della cinghia (si deve rimuovere prima il perno di attacco).
- Rimuovere lo spinotto di bloccaggio (EE) da 1/8" che assicura l'estremità della molla del braccio della puleggia folle al lato destro del gruppo dell'innesto e delle pulegge folli. Ruotare il braccio della puleggia folle verso il lato sinistro.
- Porre la cinghia della coclea intorno alla puleggia posteriore e tra le due pulegge sul braccio delle pulegge folli. Il lato a "V" della cinghia deve essere sistemato nelle scanalature delle pulegge.

#### **INSTALLAZIONE DEL PERNO DI ATTACCO**

#### **FASE 58: (VEDERE LA FIGURA 54)**

- Sollevare la parte superiore dello spartineve a turbina per allineare i fori nelle piastre di montaggio e nelle piastre laterali. Dal lato sinistro del trattore inserire il perno di attacco attraverso i fori. Assicurarlo ad essi reinstallando lo spinotto di bloccaggio (EE) da 1/8".

#### **REGOLAZIONE DELLA TENSIONE DELLA CINGHIA DELLA COCLEA**

#### **FASE 59: (VEDERE LA FIGURA 57)**

- Tirare la catena di messa in tensione fino a che l'estremità della molla sia tirata attraverso il foro nel lato del gruppo innesto/ pulegge folli. Installare lo spinotto di bloccaggio (EE) da 1/8" attraverso l'estremità della molla, assicurandolo sul lato esterno del gruppo innesto/ pulegge folli.

**IMPORTANTE:** per correggere la tensione della cinghia, attaccare lo spinotto di bloccaggio da 1/8" all'estremità della molla e non alla catena.

**NOTA:** per impedire che la catena sia trascinata sul terreno, avvolgere l'estremità della catena al perno di blocco ruotante. Fare riferimento alla figura 45 a pagina 21.

#### **ATTACCO DEI RIFLETTORI AL PARAFANGO POSTERIORE**

#### **FASE 59: (VEDERE LA FIGURA 58)**

- Se il trattore non è dotato di riflettori posteriori, montare i riflettori posteriori forniti (KK) al parafango posteriore. Porre i riflettori il più vicino possibile al fondo del parafango e distanziati fino a quanto la dimensione del parafango lo consenta.

#### **LISTA DEI CONTROLLI**

Prima di usare lo spartineve a turbina, rivedere la seguente lista dei controlli per assicurarsi di ottenere le migliori prestazioni dallo spartineve a turbina.

1. Tutte le istruzioni di montaggio sono state osservate con tutti i bulloni e dadi correttamente serrati.
2. Controllare la cinghia motrice e la cinghia della coclea. Assicurarsi che sono state installate correttamente intorno alle pulegge ed all'interno dei fissatori.
3. Controllare la rotazione corretta dello scivolo di scarico.
4. Controllare il funzionamento del comando di inclinazione dello scivolo superiore.
5. Verificare che la maniglia sinistra sia bloccata e rilasciata dalla posizione sollevata di trasporto. (Fare riferimento alla sezione Riparazioni e Regolazioni.)
6. Controllare la regolazione del pattino di scivolamento. (Fare riferimento alla sezione Riparazioni e Regolazioni).

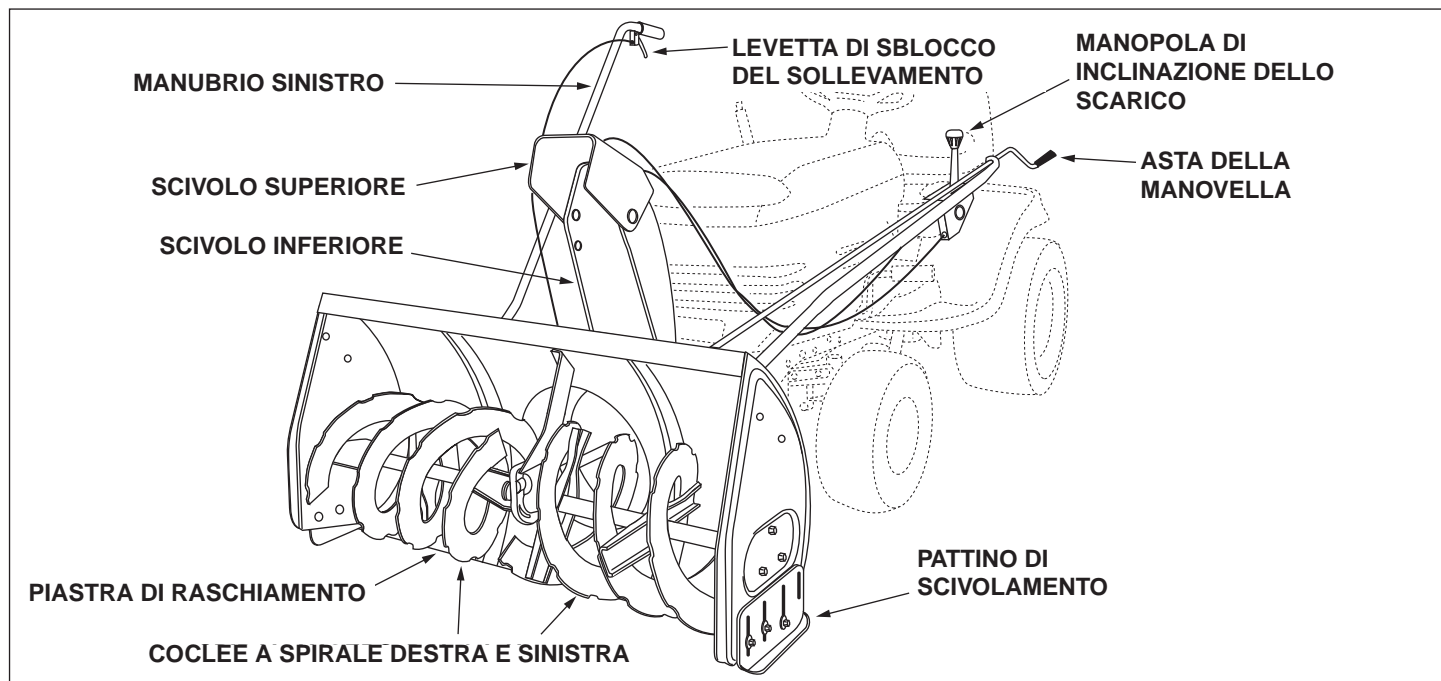
**Le istruzioni operative iniziano a pagina 70.**

# FUNZIONAMENTO

## CONOSCERE IL PROPRIO SPARTINEVE A TURBINA

Leggere questo manuale del proprietario e le norme di sicurezza prima di usare lo spartineve a turbina.

Comparare le illustrazioni qui di seguito con il proprio spartineve a turbina per assimilare i vari comandi e le loro localizzazioni.



**MANOPOLA DI INCLINAZIONE DELLO SCARICO** fa girare lo scarico superiore in alto e in basso per controllare l'angolazione e la distanza dello scarico.

**ASTA DELLA MANOVELLA** fa ruotare il comando degli scarichi superiore e inferiore per controllare la direzione dello scarico.

**MANUBRIO SINISTRO** viene usato per sollevare o abbassare lo spartineve a turbina nelle posizioni di trasporto o operativa.

**LEVETTA DI SBLOCCO DEL SOLLEVAMENTO** rilascia il blocco che mantiene lo spartineve a turbina nella posizione di trasporto

**SCARICO SUPERIORE E INFERIORE** comanda la direzione e l'altezza dello scarico della neve.

**PIASTRA DI RASCHIAMENTO** piastra sostituibile che assorbe l'usura e l'impatto dal contatto con il suolo.

**PATTINO DI SCIVOLAMENTO** controlla il gioco tra la piastra di raschiamento e il terreno.

**COCLEA A SPIRALE DESTRA E SINISTRA** inviano la neve alla ventola della girante al centro dell'alloggiamento.

### PRIMA DELL'AVVIO

- Pervenire alla fine della lista dei controlli di montaggio per verificare che tutte le istruzioni sono state completate.
- Assicurarsi che i pattini di scivolamento siano regolati in modo da mantenere uno spazio adeguato al terreno tra lo spartineve a turbina e il tipo di superficie da liberare. (Fare riferimento alla sezione Riparazioni e Regolazioni.)
- Assicurarsi che il motore del trattore sia stato riempito con l'olio corretto per il funzionamento nel periodo invernale (SAE 5W-30). Fare riferimento al manuale del proprietario del trattore.

### COME AVVIARE LO SPARTINEVE A TURBINA

- Il trattore deve rimanere fermo con il motore funzionante a pieno regime. Muovere l'innesto di attacco in posizione inserita, che avvia lo spartineve a turbina prima che l'innesto del trattore sia inserito.

### COME ARRESTARE LO SPARTINEVE A TURBINA

- Per arrestare lo spartineve a turbina, disinserire la leva dell'innesto di attacco per gli innesti manuali o l'interruttore dell'innesto per quelli elettrici. Fare riferimento al manuale del proprietario del trattore.

### COME USARE LO SPARTINEVE A TURBINA



**ATTENZIONE:** Non scaricare mai la neve direttamente verso gli astanti o le finestre. Non permettere a nessuno di sostare davanti all'unità.

### CONTROLLO DELLO SCARICO DELLA NEVE

- Per controllare la direzione di lancio della neve, lo scivolo dello scarico ha 180 gradi di rotazione. Girare l'asta della manovella in senso orario per ruotare lo scarico a destra. Girare l'asta della manovella in senso antiorario per ruotare lo scarico a sinistra
- Per controllare la distanza del lancio della neve, la sezione superiore dello scivolo di scarico gira verso l'alto e verso il basso. Spingere in avanti la manopola di inclinazione dello scivolo per girare lo scivolo verso il basso, diminuendo la distanza alla quale la neve viene lanciata. Tirare all'indietro la manopola per girare l'inclinazione verso l'alto, aumentando la distanza alla quale la neve è lanciata.

## SOLLEVAMENTO E ABBASSAMENTO

- Per sollevare lo spartineve a turbina, spingere in basso il manubrio di sollevamento fino a che lo spartineve a turbina viene bloccato in posizione sollevata di trasporto.
- Per abbassare, spingere lentamente verso il basso il manubrio di sollevamento e tirare la levetta di comando. Con la levetta di comando tirata, abbassare lentamente lo spartineve a turbina fino a che raggiunga il suolo.



**ATTENZIONE:** non far funzionare lo spartineve a turbina senza il peso posteriore attaccato al trattore, per assicurare la massima trazione e stabilità.

## RIMOZIONE DELLA NEVE

Le condizioni di rimozione della neve possono variare largamente da una nevicata leggera soffice ad una neve molto bagnata. Le istruzioni operative devono essere flessibili per corrispondere alle condizioni incontrate. L'operatore deve adattare il trattore e lo spartineve a turbina alla profondità della neve, alla direzione del vento ed alle condizioni della superficie.

- Prima di iniziare le operazioni, ispezionare attentamente l'area di lavoro e rimuovere tappetini, slitte, tavole, fili e altri oggetti estranei.
- La velocità della coclea a spirale è direttamente riferita al motore. Per una massima rimozione e scarico della neve, mantenere i giri motore al massimo (pieno regime). Si consiglia di far funzionare il trattore ad una velocità a terra lenta (1ma marcia) per una rimozione della neve efficace e in condizioni di sicurezza.
- In presenza di profondi banchi o ammassi di neve, sarà necessario usare il massimo regime ad una velocità a terra lenta (1ma marcia). Guidare in avanti nella neve, sollevare il pedale freno innesto del trattore e lasciare che la coclea a spirale elimini la neve. Ripetere questo metodo fino a che il percorso sia sgombro. Alla seconda passata, sovrapporre la prima abbastanza da consentire allo spartineve a turbina di trattare la neve senza arresti ripetuti e partenze in avanti.

- Nella neve estremamente profonda, sollevare lo spartineve a turbina dal suolo per rimuovere lo strato superiore ed avanzare solo quando le ruote anteriori del trattore raggiungano lo strato di fondo non eliminato della neve. Sollevare il pedale del freno innesto del trattore e lasciare che lo spartineve a turbina sgombri il suolo. Indietreggiare il trattore ed abbassare lo spartineve a turbina al suolo. Guidare il trattore in avanti fino a che la neve diventi di nuovo troppo profonda. Ripetendo il processo dentro e fuori gli ammassi di neve, probabilmente si arriverà a sgombrare anche i più profondi impilamenti di neve.
- Se lo spartineve a turbina è intasato di neve o bloccato da un oggetto estraneo, disinserrarlo immediatamente e spegnere il motore del trattore. Sbloccare l'unità prima di ricominciare ad usarla.



**PERICOLO:** spegnere il motore e disinserrire lo spartineve a turbina prima di sbloccare lo scivolo di scarico. Sbloccare usando un pezzo di legno e non le proprie mani.

## CONSIGLI OPERATIVI

- Scaricare la neve sottovento sempre che sia possibile.
- Per evitare che la neve si ammassi all'interno dello spartineve a turbina attendere che lo spartineve a turbina raggiunga la temperatura esterna prima di usarlo. Si può anche applicare un leggero strato di cera sulla superficie interna dell'alloggiamento e dello scivolo di scarico.
- Usare catene per pneumatici per migliorare la trazione.
- Usare pesi delle ruote posteriori per migliorare la trazione.
- Prima della prima nevicata rimuovere sassi, ramoscelli ed altri oggetti che potrebbero essere nascosti dalla neve. Segnare gli ostacoli permanenti per renderli visibili.
- Ripercorrere ciascuna passata leggermente per assicurare una completa rimozione della neve.

# MANUTENZIONE

## RESPONSABILITÀ DEL CLIENTE

- Leggere e seguire il programma e le procedure di manutenzione elencate in questa sezione.

PROGRAMMA DI MANUTENZIONE Annotare le date quando si completa la manutenzione regolare.	Date di servizio											
	Prima di ogni uso	Nach jedem Einsatz	Ogni stagione	Prima della conservazione								
Controllare per bulloneria allentata	X											
Controllare la piastra di raschiamento e i pattini	X			X								
Pulizia				X								
Sezione lubrificazione		X										

## LUBRIFICAZIONE

- Applicare olio a tutti i punti di incernieramento sullo spartineve a turbina.
- Applicare olio ai punti di due bracci delle pulegge folli sul gruppo innesto/ pulegge folli.
- Applicare olio penetrante ai cavi di comando dello scivolo di scarico.
- Applicare un lubrificante a spruzzo di buona qualità al gruppo della levetta di comando ed al comando del controllo di inclinazione dello scivolo.

## CONTROLLARE IL GRADO DI USURA DELLA PIASTRA DI RASCHIAMENTO E DEL PATTINO

(Fare riferimento alle figure 59 e 60 a pagina 72)

- La piastra di raschiamento e i pattini di scivolo sul fondo dello spartineve a turbina sono soggetti ad usura. Per evitare di danneggiare l'alloggiamento delle coclee a spirale, sostituire la piastra e i pattini prima che il livello di usura sia eccessivo.

# RIPARAZIONI E REGOLAZIONI



**ATTENZIONE:** prima di riparare o regolare lo spartineve a turbina, spegnere il motore, rimuovere i fili della candela, inserire il freno di parcheggio e rimuovere la chiave di accensione del trattore.

## SOSTITUZIONE DELLA CINGHIA DELLA COCLEA

- Disinserire l'innesto di attacco del trattore.
- Abbassare lo spartineve a turbina al suolo.
- Rimuovere il perno di attacco.
- Bloccare il manubrio di sollevamento dello spartineve a turbina per diminuire la tensione della cinghia.
- Rilasciare la tensione della molla dal braccio delle pulegge folli della cinghia della coclea sul fondo del gruppo innesto/ pulegge folli.
- Rimuovere la cinghia motrice della coclea dal gruppo innesto/ pulegge folli e dall'alloggiamento della coclea a spirale.
- Installare la nuova cinghia sulla parte superiore della puleggia grande della coclea e sotto le pulegge folli sui due lati. Ruotare la cinghia di  $\frac{1}{4}$  di giro per sistemare la "V" della cinghia nella scanalatura di ciascuna puleggia folle. Fare riferimento alla figura 55 a pagina 24.
- Montare la cinghia nel gruppo innesto/ pulegge folli.

## REGOLAZIONE DEI PATTINI DI SCIVOLAMENTO

- I pattini di scivolamento sono montati su ciascun lato dell'alloggiamento delle coclee a spirale. Essi regolano la distanza alla quale la piastra di raschiamento deve essere sollevata al di sopra della superficie di lavoro. Quando si rimuove la neve da un viale in ghiaietto o da una superficie ineguale, è consigliabile di mantenere la piastra di raschiamento ad un'altezza il più possibile superiore alla superficie per impedire possibili danni alle coclee a spirale. Sulla superficie in bitume o in cemento, tenere la piastra di raschiamento il più possibile vicina al suolo.
- Sollevare lo spartineve a turbina dal terreno e porre un blocco sotto ciascuna estremità della piastra di raschiamento. Allentare i sei dadi esagonali che assicurano i pattini di scivolamento. Regolare i pattini in alto o in basso alla stessa altezza per mantenere la piastra di raschiamento a livello. Vedere la figura 59.

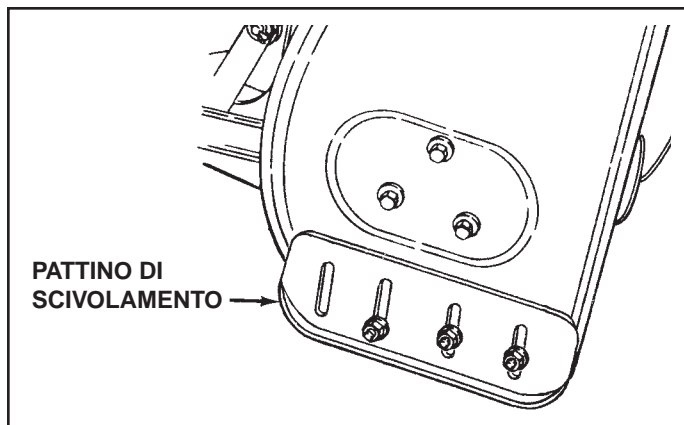


FIGURE 59

## REGOLAZIONE DEL CAVO DI SBLOCCO DEL SOLLEVAMENTO

- Se l'asta di sollevamento non blocca sicuramente lo spartineve a turbina in posizione di trasporto, allentare il dado esagonale superiore sulla staffa di sollevamento di alcuni giri e serrare il dado esagonale inferiore. Fare riferimento alla figura 48 a pagina 22.
- Se l'asta di sollevamento non riesce a sbloccarsi completamente per abbassare lo spartineve a turbina, allentare il dado esagonale inferiore sulla staffa di sollevamento e serrare il dado esagonale superiore. Fare riferimento alla figura 48 a pagina 22.

## REGOLAZIONE DEL DISINSERIMENTO DELL'INNESTO (Solo per trattori con innesti dell'asta di attacco. Non per innesti elettrici o con cavo)

Se la coclea a spirale sullo spartineve a turbina non si arresta quando la leva di innesto di attacco sul trattore è disinserita, una regolazione si rende necessaria. Procedere come segue. Fare riferimento alla figura 33 a pagina 17.

- Porre la leva dell'innesto di attacco in posizione disinserita.
- Rimuovere lo spinotto di bloccaggio dal perno di articolazione dell'asta di inserimento e sollevare il perno fuori del foro nel braccio delle pulegge folli.
- Avvitare il perno di articolazione di alcuni giri verso l'estremità anteriore dell'asta.
- Sostituire il perno di articolazione nel foro del braccio delle pulegge folli ed assicurarlo con lo spinotto di bloccaggio. Controllare il funzionamento dello spartineve a turbina. Se le coclee a spirale ancora non si arrestano, ripetere le operazioni sopra descritte fino a quando le coclee non si arrestano quando la leva dell'innesto di attacco è posta in posizione disinserita.

## COCLEE A SPIRALE

- Le coclee a spirale sono assicurate all'albero della coclea con due perni di sicurezza e dadi nylock. Se si urta un oggetto estraneo o se il ghiaccio blocca le coclee, lo spartineve a turbina è concepito in modo che i perni taglieranno.
- Se le coclee non girano, controllare per vedere se i perni di sicurezza hanno tagliato. Vedere la figura 60. Due perni di sicurezza e due dadi nylock di ricambio sono forniti con lo spartineve a turbina. Per un uso futuro, ordinare il no. parte 710-0890A per il perno di sicurezza ed il numero 47810 per il dado nylock.

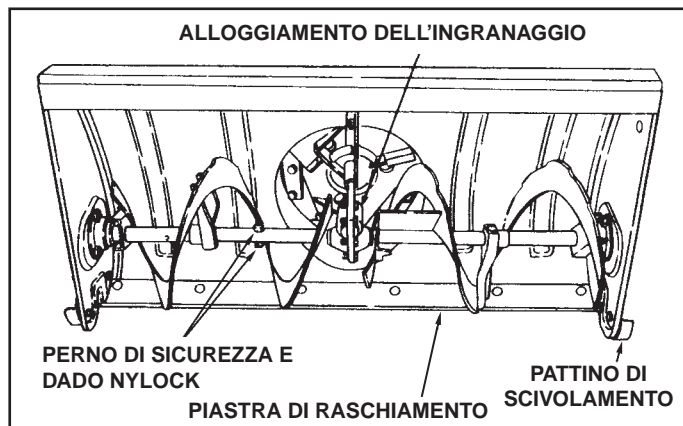


FIGURE 60



# CONSERVAZIONE

## RACCOMANDAZIONI PER LA CONSERVAZIONE

- Abbassare lo spartineve a turbina al suolo.
- Rimuovere lo spartineve a turbina dal trattore.
- Pulire accuratamente lo spartineve a turbina. Lavare ogni deposito salino che possa aver seccato lo spartineve a turbina e l'alloggiamento.
- Ogni metallo scoperto che è stato esposto deve essere verniciato o cosparso leggermente di olio per evitare la ruggine.
- Conservare in luogo secco.

## RIMOZIONE DELL'ALLOGGIAMENTO DELLA COCLEA A SPIRALE

- Abbassare lo spartineve a turbina al suolo.
- Rimuovere il perno di attacco. Vedere la figura 54 a pagina 24.
- Bloccare il manubrio di sollevamento dello spartineve a turbina in posizione abbassata per diminuire la tensione della cinghia.
- Rilasciare la tensione della cinghia dal braccio delle pulegge folli della cinghia della coclea sul fondo del gruppo innesto/ pulegge folli.
- Rimuovere la cinghia motrice della coclea dal gruppo innesto/ pulegge folli. Vedere la figura 56 a pagina 24.
- Sollevare il gruppo dell'alloggiamento delle coclee a spirale.

## PARTI DA RIMUOVERE AL TERMINE DELLA STAGIONE

- Rimuovere il gruppo innesto/ pulegge folli. (Le due staffe di sospensione e le due viti ad anello devono restare attaccate al telaio del trattore.)
- Rimuovere la cinghia motrice dalla puleggia motrice.
- Se si sostituisce il fissatore della puleggia motrice su un trattore con innesto di attacco manuale, reinstallare il fissatore originale. Vedere la figura 33 a pagina 17 o la figura 39 a pagina 19.
- Se si dispone di un perno di attacco operato da asta, rimuovere l'asta di inserimento dal braccio di innesto del trattore. Vedere la figura 29 a pagina 16.
- Se si usa un accessorio montato posteriormente, rimuovere il vassoio del peso posteriore, lasciando i bulloni installati nei lati dell'asta di trazione del trattore. Riserrare i bulloni.
- Se si usa un accessorio montato davanti, rimuovere le piastre laterali dal trattore. Accertarsi di montare i bulloni di nuovo nei fori vuoti nel telaio del trattore.

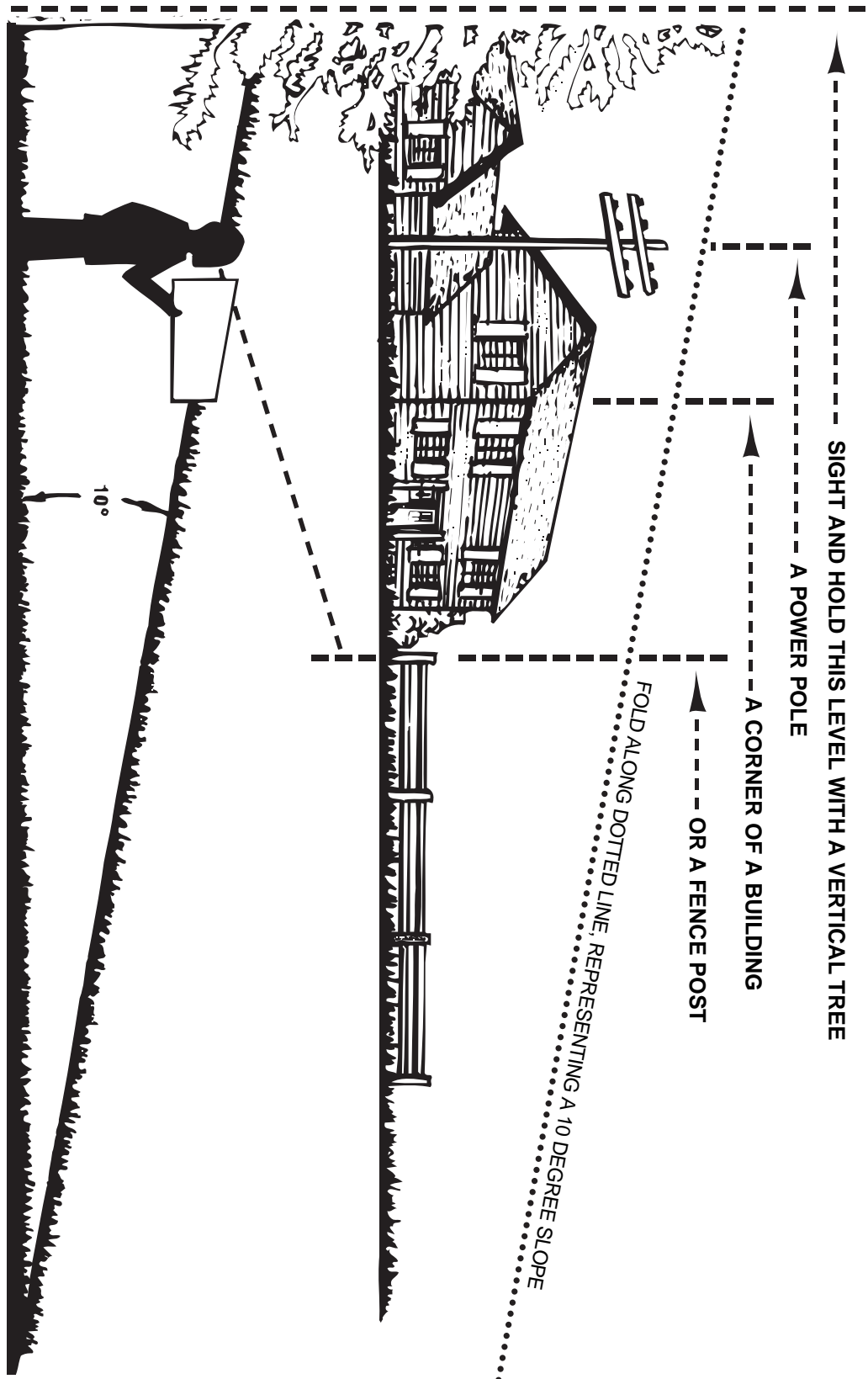
# SOLUZIONE DEI PROBLEMI

PROBLEMA	CAUSA	CORREZIONI
Scivolo di scarico intasato	<ol style="list-style-type: none"> <li>1. La cinghia a V superiore o inferiore troppo lenta</li> <li>2. La cinghia a V superiore o inferiore è rotta</li> <li>3. I perni di sicurezza sono tagliati.</li> </ol>	<ol style="list-style-type: none"> <li>1. Aumentare la tensione sulla cinghia a V</li> <li>2. Sostituire la cinghia a V</li> <li>3. Sostituire i perni di sicurezza</li> </ol>
Le coclee a spirale non girano	<ol style="list-style-type: none"> <li>1. Velocità a terra del trattore troppo rapida</li> <li>2. Regime del motore del trattore regolato troppo basso</li> <li>3. Neve troppo profonda</li> <li>4. La neve fonde al contatto con lo spartineve a turbina</li> </ol>	<ol style="list-style-type: none"> <li>1. Usare una marcia inferiore</li> <li>2. Aumentare a pieno regime</li> <li>3. Sollevare lo spartineve a turbina</li> <li>4. Lasciar raffreddare lo spartineve a turbina alla temperatura esterna prima di usarlo</li> </ol>
Lo spartineve a turbina arresta il motore del trattore	<ol style="list-style-type: none"> <li>1. Oggetto bloccato nella coclea a spirale</li> <li>2. Neve dura o pesante</li> </ol>	<ol style="list-style-type: none"> <li>1. Arrestare il motore, disinserire lo spartineve a turbina e liberare la coclea</li> <li>2. Aumentare a pieno regime e diminuire la velocità a terra</li> </ol>
Le ruote anteriori scivolano invece di girare	<ol style="list-style-type: none"> <li>1. Trazione non sufficiente alle ruote anteriori</li> </ol>	<ol style="list-style-type: none"> <li>1. Aumentare il gioco della piastra di raschiamento abbassando i pattini di scivolamento</li> <li>2. Tirare verso il basso sul manubrio di sollevamento per aumentare il peso sulle ruote anteriori</li> </ol>
Lo spartineve a turbina avanza sopra la neve	<ol style="list-style-type: none"> <li>1. Velocità a terra del trattore troppo rapida</li> <li>2. La neve sul fondo è ghiacciata o molto compatta</li> </ol>	<ol style="list-style-type: none"> <li>1. Ridurre la velocità a terra</li> <li>2. Abbassare i pattini di sollevamento in modo che la parte superiore del pattino sia più bassa di quella posteriore</li> </ol>

# SLOPE GUIDE

(Keep this sheet in a safe place for future reference.)

Use this guide to determine if a slope is safe for the operation of your tractor and snow thrower. Refer also to the instructions in your vehicle owners manual.

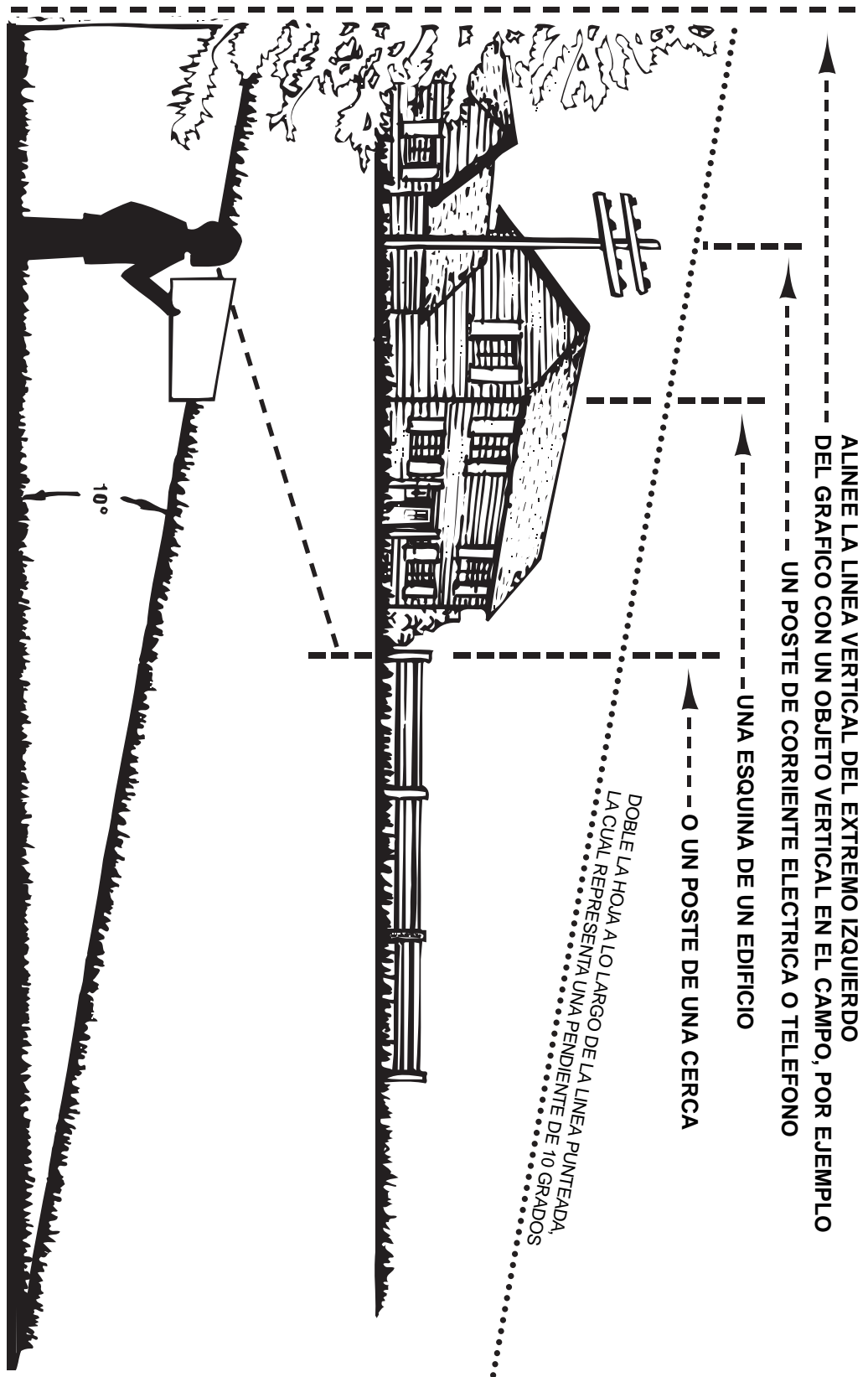



**CAUTION:** DO NOT OPERATE YOUR TRACTOR AND SNOW THROWER ON A SLOPE IN EXCESS OF 10 DEGREES. BE SURE OF YOUR TRACTOR'S TOWING AND BRAKING CAPABILITIES BEFORE OPERATING ON A SLOPE. AVOID ANY SUDDEN TURNS OR MANEUVERS WHILE ON A SLOPE.

# GUIA DE PENDIENTES

(Mantenga esta guía en un lugar seguro para referencia futura.)

Use esta guía para determinar si la operación de tractor y carrito es segura en una pendiente.  
Consulte también las instrucciones en el Manual del Usuario de su vehículo.



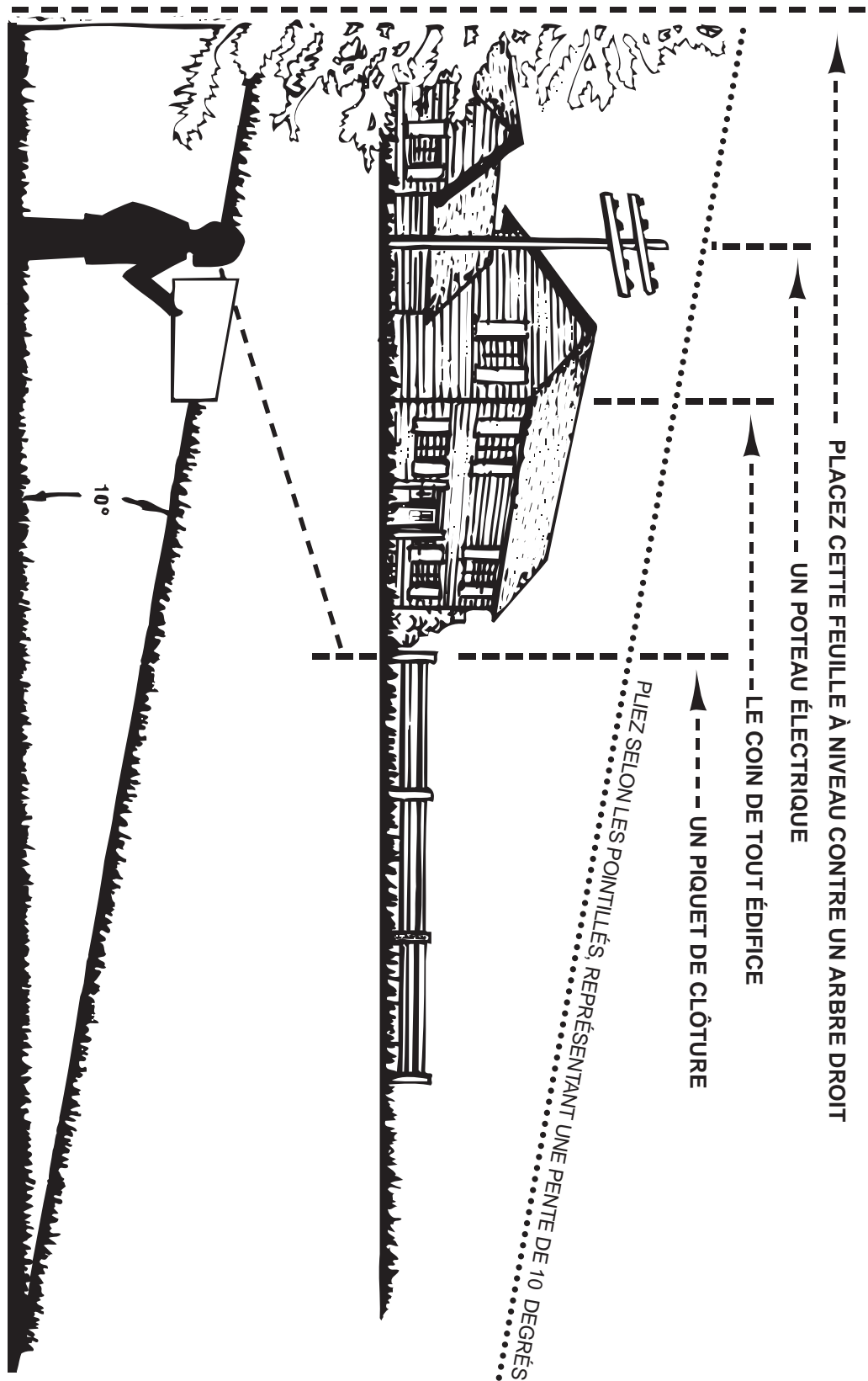


PRECAUCION: NO OPERE EL TRACTOR REMOLCANDO EL CARRO EN UNA PENDIENTE DE MAS DE 10°. VERIFIQUE LA CAPACIDAD DE SU TRACTOR PARA REMOLCAR Y FRENAR ADECUADAMENTE ANTES DE OPERAR EN UNA PENDIENTE. EVITE GIROS O MANIOBRAS BRUSCAS CUANDO OPERA EN UNA PENDIENTE.

# GUIDE DE CALCUL D'UNE PENTE

(Conservez cette feuille en lieu sûr pour référence future.)

Utilisez ce guide afin de déterminer si une pente est sécuritaire pour l'utilisation de votre tracteur et de la charrette. Voir également les instructions incluses dans votre manuel d'utilisation du tracteur.

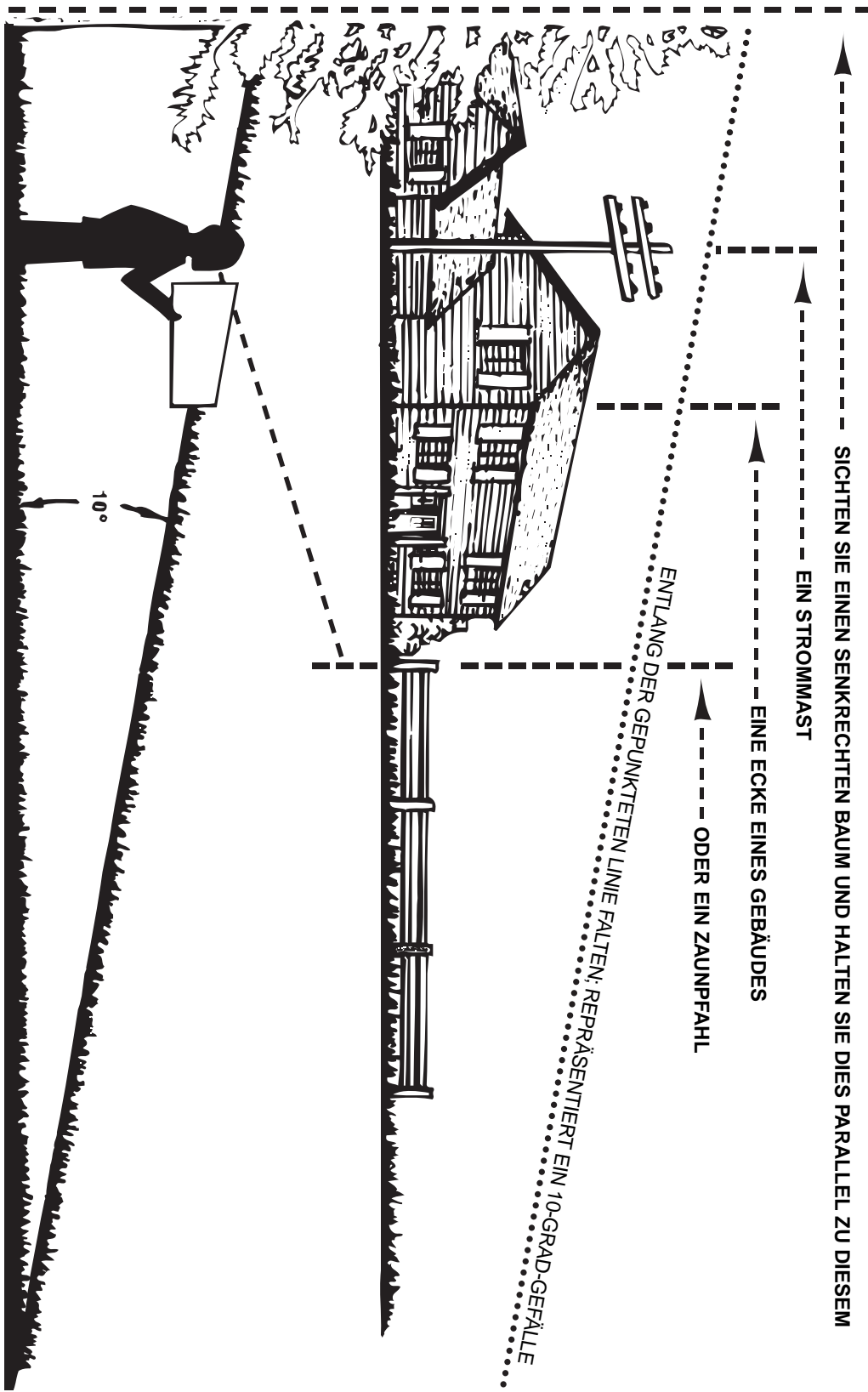


**ATTENTION: NE PAS UTILISER LE TRACTEUR ET LA CHARRETTE SUR UNE PENTE INCLINÉE À PLUS DE 10 DEGRÉS. VÉRIFIEZ LA TRACTION ET LE FREINAGE DE VOTRE TRACTEUR AVANT DE CONDUIRE SUR UNE PENTE. ÉVITEZ TOUTE MANŒUVRE BRUSQUE LORSQUE VOUS CONDUISEZ SUR UNE PENTE.**

# GEFÄLLE-SCHABLONE

(Dieses Blatt zur zukünftigen Verwendung an einem sicheren Ort aufbewahren.)

Diese Schablone dazu verwenden, um zu ermitteln, ob ein Gefälle für Ihren Traktor und die Schneefräse betriebs sicher ist. Siehe hierzu auch die Anweisung in der Betriebsanleitung Ihres Fahrzeugs.

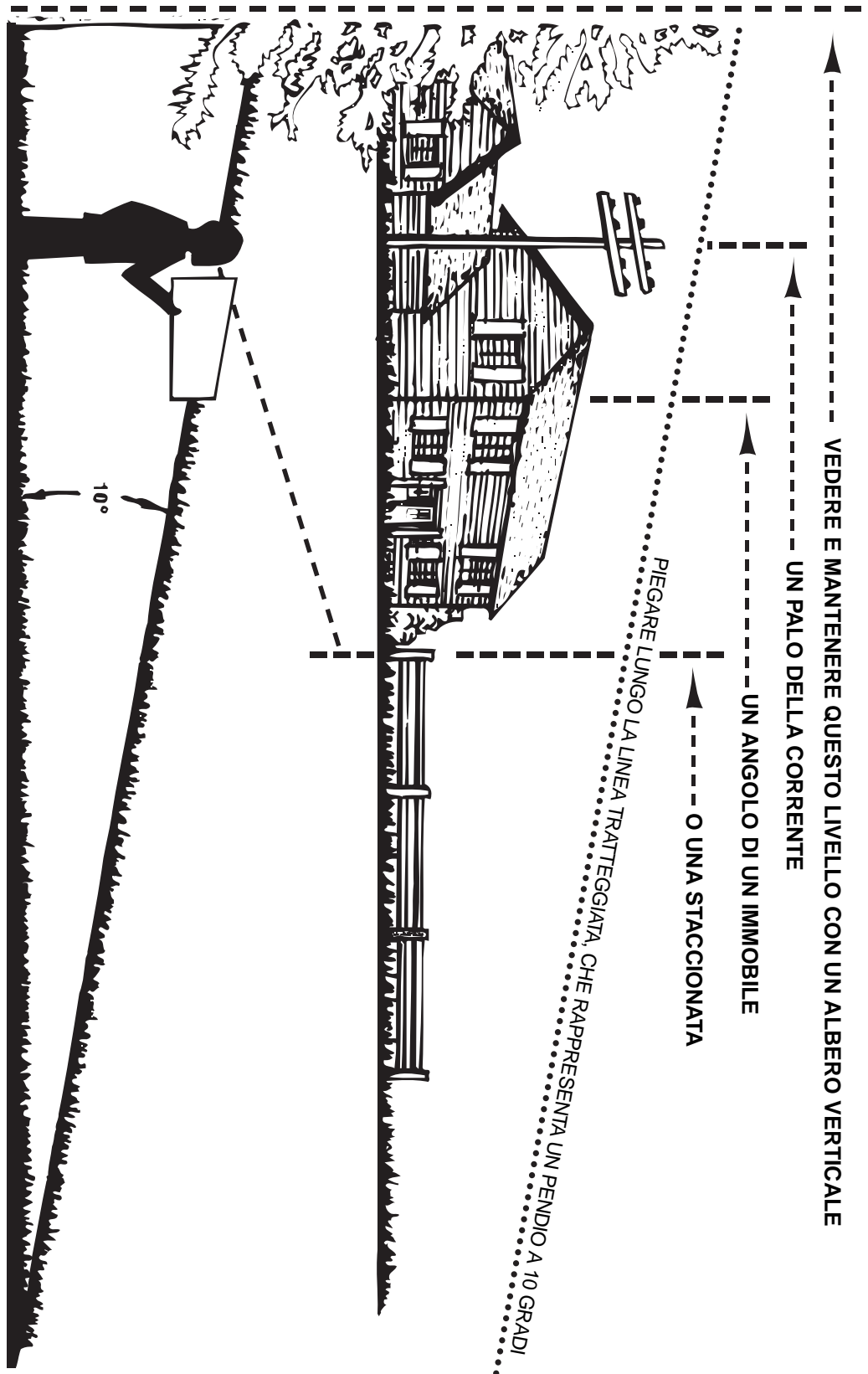


**ACHTUNG:** KEINESFALLS IHREN TRAKTOR UND DIE SCHNEEFÄHRE AN EINEM GEFÄLLE VON MEHR ALS 10 GRAD BETREIBEN. VERGEWISSEN SIE SICH VOR DEM BETRIEB AN EINEM GEFÄLLE DER ZUG- UND BREMSFÄHIGKEITEN IHRES TRAKTORS. AN EINEM GEFÄLLE SIND JEGLICHE PLÖTZLICHEN KEHREN UND MANÖVER ZU VERMEIDEN.

# GUIDA DEI PENDII

(Tenere questo foglio in luogo sicuro per riferimento futuro.)

Usare questa guida per determinare se un pendio è sicuro per il funzionamento del trattore e dello spartineve a turbina. Fare riferimento anche alle istruzioni contenute nel manuale del proprio veicolo.



**CAUTION: DO NOT OPERATE YOUR TRACTOR AND SNOW THROWER ON A SLOPE IN EXCESS OF 10 DEGREES. BE SURE OF YOUR TRACTOR'S TOWING AND BRAKING CAPABILITIES BEFORE OPERATING ON A SLOPE. AVOID ANY SUDDEN TURNS OR MANEUVERS WHILE ON A SLOPE.**

*the fastest way to purchase parts* [www.speedepart.com](http://www.speedepart.com)

**REPAIR PARTS**

Agri-Fab, Inc.  
809 South Hamilton  
Sullivan, IL. 61951  
217-728-8388  
[www.agri-fab.com](http://www.agri-fab.com)

This document (or manual) is protected under the U.S. Copyright Laws and the copyright laws of foreign countries, pursuant to the Universal Copyright Convention and the Berne convention. No part of this document may be reproduced or transmitted in any form or by any means, electronic or mechanical, including photocopying or recording, or by any information storage or retrieval system, without the express written permission of Agri-Fab, Inc. Unauthorized uses and/or reproductions of this manual will subject such unauthorized user to civil and criminal penalties as provided by the United States Copyright Laws.