



Operators Manual



Please read these instructions carefully and make sure you understand them before using the machine.

Models:

968999276 / CZ4818BIA

Congratulations on the purchase of your **HUSQVARNA** mower. This manual has been prepared for the owners and operators of the models called out on the front cover of this manual. Read, understand and follow the safety and operating instructions.

 **WARNING**

Failure to follow cautious operating practices can result in serious injury to the operator or other persons. The owner must understand these instructions, and must allow only trained persons who understand these instructions to operate the mower. Each person operating the mower must be of sound mind and body and must not be under the influence of any mind altering substance.

 **CAUTION**

1. Keep all shields, guards and safety devices in place and in proper working condition.
2. Stop engine and remove spark plug wires or remove key before adjusting, servicing, or performing maintenance.

TECHNICAL ASSISTANCE

If you have any questions pertaining to your mower contact your dealer. To locate the nearest dealer please call: 1-800-HUSKY-62.

For technical assistance please write: Husqvarna, 7349 Statesville Road, Charlotte, NC, 28269 or call: 1-800-HUSKY-MD.

WARNING: Engine exhaust, some of its constituents, and certain vehicle components contain or emit chemicals known to the State of California to cause cancer and birth defects or other reproductive harm.

WARNING: Battery posts, terminals and related accessories contain lead and lead compounds, chemicals known to the State of California to cause cancer and birth defects or other reproductive harm. Wash hands after handling.

Continuous dedication to improve our products require that specifications and design are subject to change without notice.

CONTENTS

| | | | |
|--|-------|---|-------|
| SAFETY INSTRUCTIONS | 4 | Engine | 21 |
| General use and safety rules | 4 | Air Screen & Air Filter | 21 |
| Driving on slopes | 4 | Oil Filter | 22 |
| Children safety | 5 | Spark Plugs | 22 |
| Service safety | 6 | Fuel Filter | 22 |
| Transportation | 6 | Cleaning | 22 |
| SPECIFICATIONS | 7 | SERVICE AND ADJUSTMENT | 23 |
| ASSEMBLY | 8 | Mower | 23 |
| Tools Required | 8 | Deck Level | 23 |
| Unpacking | 8 | Deck Belt Replacement | 24 |
| Seat Attachment | 8 | IZT (Integrated Zeroturn Transaxle) Belt Replacement | 25 |
| Control Lever Attachment | 8 | Seat Adjustment | 26 |
| Check Tire Pressure | 10 | Control Levers Adjustment | 26 |
| Assembly Checklist | 10 | Wheel Removal | 26 |
| OPERATION | 11 | Jump Starting Engine | 26 |
| Controls | 11 | Battery Replacement | 27 |
| Operation Instructions | 11-17 | Park Brake | 27 |
| CUSTOMER RESPONSIBILITIES | 18 | Tracking | 28 |
| Maintenance Schedule | 18 | STORAGE | 29-30 |
| Lubrication Chart | 19 | TROUBLESHOOTING | 31-32 |
| Tires | 19 | WIRING SCHEMATIC | 33 |
| Operator Presence System | 19 | | |
| Blade Care | 19 | | |
| Battery | 20 | | |
| V-Belts | 21 | | |

SAFETY RULES



SAFE OPERATION PRACTICES FOR RIDE-ON MOWERS



DANGER !

THIS CUTTING MACHINE IS CAPABLE OF AMPUTATING HANDS AND FEET AND THROWING OBJECTS. FAILURE TO OBSERVE THE FOLLOWING SAFETY INSTRUCTIONS COULD RESULT IN SERIOUS INJURY OR DEATH.

I. GENERAL OPERATION

- Read, understand and follow all instructions in the manual and on the machine before starting.
- Only allow responsible adults, who are familiar with the instructions, to operate the machine.
- Clear the area of objects such as rocks, stones, toys, wire etc., which could be picked up and thrown by the blades.
- Be sure the area is clear of all people and pets before mowing. Stop the machine if anyone enters the area.
- Never carry passengers.
- Do not mow in reverse unless absolutely necessary. Always look down and behind before and while backing.
- Be aware of the mower discharge direction and do not direct it towards anyone. Do not operate the mower without either the entire grass catcher or the guard in place.
- Slow down before turning.
- Never leave the machine unattended when the engine is running. Always turn off the blades, set the parking brake, stop the engine and remove the key before leaving the machine.
- Turn off blades when not mowing.
- Stop engine before removing grass catcher or unclogging chute.
- Mow only in daylight or good artificial light.
- Do not operate the machine while under the influence of alcohol or drugs.
- Watch out for traffic when operating near or crossing roadways.
- Use extra care when loading and unloading the machine onto a trailer or truck.
- Data indicates that operators, age 60 years and above, are involved in a large percentage of riding mower-related injuries. These

operators should evaluate their ability to operate the riding mower safely enough to protect themselves and others from serious injury.

- Keep machine free of grass, leaves or other debris buildup which can touch hot exhaust/engine parts and burn. Do not allow the mower deck to plow leaves or other debris which can cause buildup to occur. Clean any oil or fuel spillage before operating or storing the machine. Allow machine to cool before storage.

II. SLOPE OPERATION

Slopes are a major factor related to loss-of-control and tip-over accidents, which can result in severe injury or death. All slopes require extra caution. If you cannot back up the slope or if you feel uneasy on it, do not mow it.

DO:

- Mow up and down slopes, not across.
- Remove obstacles such as rocks, tree limbs, etc.
- Watch for holes, ruts, or bumps. Uneven terrain could overturn the machine. **Tall grass can hide obstacles.**
- Use slow speed. Choose a low gear so that you will not have to stop or shift while on the slope.
- Use extra care with grass catchers or other attachments. These can change the stability of the machine.
- Keep all movement on the slopes **slow** and **gradual**. Do not make sudden changes in speed or direction.
- Avoid starting or stopping on a slope. If tires lose traction, disengage the blades and proceed slowly **straight** down the slope.

SAFETY RULES



SAFE OPERATION PRACTICES FOR RIDE-ON MOWERS



DO NOT:

- **Do not** turn on slopes unless necessary, and then, turn slowly and gradually downhill, if possible.
- **Do not** mow near drop-off, ditches, or embankments. The mower could suddenly turn over if a wheel is over the edge of a cliff or ditch, or if an edge caves in.
- **Do not** mow on wet grass. Reduced traction could cause sliding.
- **Do not** try to stabilize the machine by putting your foot on the ground.
- **Do not** use grass catcher on steep slopes.

III. CHILDREN

Tragic accidents can occur if the operator is not alert to the presence of children. Children are often attracted to the machine and the mowing activity. **Never** assume that children will remain where you last saw them.

- **NEVER allow children to operate the machine.**
- Keep children out of the mowing area and under the watchful care of another responsible adult.
- Be alert and turn off the machine if children enter the area.
- Before and when backing, look behind and **down** for small children.
- Never carry children. They may fall off and be seriously injured or interfere with safe machine operation.
- Use extra care when approaching blind corners, shrubs, trees, or other objects that may obscure vision.

III. SERVICE

- The operation of any mower can result in foreign objects thrown into the eyes, which can result in severe eye damage. Always wear safety glasses or eye shields while operating your mower or performing any adjustments or repairs. We recommend a wide vision safety mask over spectacles or standard safety glasses.
- Use extra care in handling gasoline and other fuels. They are flammable and vapors are explosive.
 - Use only an approved container.
 - Never remove gas cap or add fuel with the engine running. Allow engine to cool before refueling. Do not smoke.
 - Never refuel the machine indoors.
 - Never store the machine or fuel container inside where there is an open flame, such as a water heater.
- Never run a machine inside a closed area.
- Keep nuts and bolts, especially blade attachment bolts, tight and keep equipment in good condition.
- Never tamper with safety devices. Check their proper operation regularly.
- Keep machine free of grass, leaves, or other debris buildup. Clean oil or fuel spillage. Allow machine to cool before storing.
- Stop and inspect the equipment if you strike an object. Repair, if necessary, before restarting.
- Never make adjustments or repairs with the engine running.
- Grass catcher components are subject to wear, damage, and deterioration, which could expose moving parts or allow objects to be thrown. Frequently check components and replace with manufacturer's recommended parts, when necessary.
- Mower blades are sharp and can cut. Wrap the blade(s) or wear gloves, and use extra caution when servicing them.
- Check brake operation frequently. Adjust and service as required.

SAFETY RULES



SAFE OPERATION PRACTICES FOR RIDE-ON MOWERS



- **NEVER** allow children to operate the machine.
- Be sure the area is clear of other people before mowing. Stop machine if anyone enters the area.
- Never carry passengers or children even with the blades off.
- Do not drive in reverse unless absolutely necessary. Always look down and behind before and while backing.
- Never carry children. They may fall off and be seriously injured or interfere with safe machine operation.
- Keep children out of the mowing area and under the watchful care of another responsible adult.
- Be alert and turn machine off if children enter the area.
- Before and when backing, look behind and down for small children.
- Mow up and down slopes (10° Max), not across.
- Remove obstacles such as rocks, tree limbs, etc.
- Watch for holes, ruts, or bumps. Uneven terrain could overturn the machine. Tall grass can hide obstacles.
- Use slow speed. Choose a low gear so that you will not have to stop or shift while on the slope.
- Avoid starting or stopping on a slope. If tires lose traction, disengage the blades and proceed slowly straight down the slope.
- If machine stops while going uphill, disengage blades, shift into reverse and back down slowly.
- Do not turn on slopes unless necessary, and then, turn slowly and gradually downhill, if possible.



CAUTION

Look for this symbol to point out important safety precautions. It means **CAUTION!!! BECOME ALERT!!! YOUR SAFETY IS INVOLVED.**



CAUTION

In order to prevent accidental starting when setting up, transporting, adjusting or making repairs, always disconnect spark plug wire and place wire where it cannot contact spark plug.



CAUTION

Do not coast down a hill in neutral, you may lose control of the mower.



WARNING

Do not tow any trailers, etc. with this mower. They may jackknife or over turn causing damage to the mower and possibly serious injury to the operator.



WARNING

Engine exhaust, some of its constituents, and certain vehicle components contain or emit chemicals known to the State of California to cause cancer and birth defects or other reproductive harm.



WARNING

Battery posts, terminals and related accessories contain lead and lead compounds, chemicals known to the State of California to cause cancer and birth defects or other reproductive harm. Wash hands after handling.

SPECIFICATIONS

| | |
|----------------------------|---|
| GASOLINE CAPACITY AND TYPE | 5.6 GALLONS UNLEADED REGULAR |
| OIL TYPE (SPI-SF-SJ): | SEE YOUR ENGINE OWNERS MANUAL |
| SPARK PLUG: | SEE ENGINE MANUAL |
| GROUND SPEED (MPH): | FORWARD: 0 - 6.5 REVERSE: 0 - 3.5 |
| TIRE PRESSURE: | FRONT: 15 PSI REAR: 15 PSI |
| CHARGING SYSTEM: | KOHLER: 15 AMPS REGULATED @3600 RPM KAWASAKI 13 AMP @ 3600 RPM |
| BATTERY: | MIN. CCA: 300 CASE SIZE: 5 1/4W X 7 3/4 L X 6 T |
| BLADE BOLT TORQUE: | 45-55 FT./LBS. |

CUSTOMER RESPONSIBILITIES

- Read and observe the safety rules.
- Follow a regular schedule in maintaining, caring for and using your mower.
- Follow the instructions under "Customer Responsibilities" and "Storage" sections of this owner's manual.

CONGRATULATIONS on your purchase of a new mower. It has been designed, engineered and manufactured to give you the best possible dependability and performance.

Should you experience any problem you cannot easily remedy, please contact your nearest authorized service center/ department. We have competent, well-trained technicians and the proper tools to service or repair this mower. Please read and retain this manual. The instructions will enable you to assemble and maintain your mower properly. Always observe the "SAFETY RULES".



WARNING

This mower is equipped with an internal combustion engine and should not be used on or near any unimproved forest-covered, brush-covered or grass-covered land unless the engine's exhaust system is equipped with a spark arrester meeting applicable local or state laws (if any). If a spark arrester is used, it should be maintained in effective working order by the operator.

A spark arrester for the muffler is available through your nearest authorized engine service center/department.

ASSEMBLY

Your new mower has been assembled at the factory with the exception of those parts left un-assembled for shipping purposes. To ensure safe and proper operation of your mower, all parts and hardware you assemble must be tightened securely. Use the correct tools as necessary to insure proper tightness.

TOOLS REQUIRED FOR ASSEMBLY

1. 9/16" wrench or 9/16" socket w/ drive ratchet
2. Tire pressure gauge
3. Nail bar or claw hammer
4. Wire snips

When right or left hand is mentioned in this manual, it means when you are in the operating position (seated).

TO REMOVE THE MOWER FROM CRATE

UNPACK CRATE

- Using the nail bar or hammer, remove the top of the crate first. Then remove the sides of the crate and place these out of the way. Be careful of any exposed nails or staples.
- Remove the plastic bag that covers the mower.
- Using the wire snips, cut any plastic ties that are holding the mower to the crate.
- Remove the seat off of the front of the mower and place in a safe location.

BEFORE REMOVING THE MOWER FROM THE SKID

ATTACH SEAT (See Fig. 1)

The seat position should be adjusted forward or backward so that the operator can comfortably reach the deck lift pedal and safely operate the mower. See "Service and Adjustment" Section of this manual.

- Remove protective wrap from the seat.
- Remove the three prong knobs and washers from the seat and place in the storage area in the right side console.
- Raise the seat pan up so that the bottom can be easily accessed.

- Securing one of the three prong knobs and washers, insert it thru the seat pan slot and into the corresponding threaded hole in the seat bottom.
- Repeat for the other three holes.
- Tighten the three prong knobs in the approximate position desired for the seat.
- Connect the wiring harness to the seat switch.

Adjustments may be required to position the seat in the desired position. Refer to the "Service and Adjustment" section of this manual.

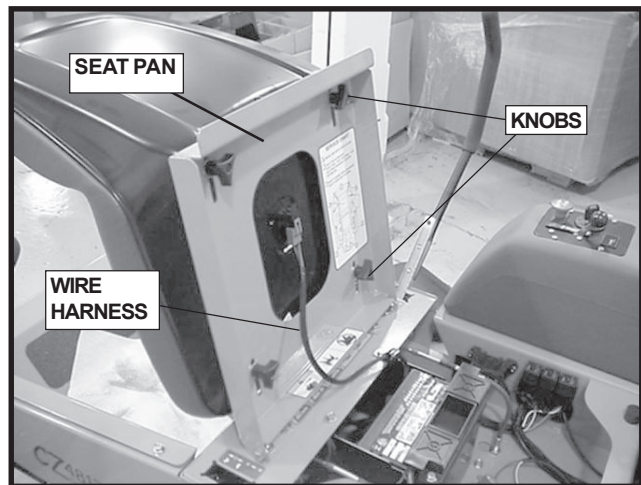


FIGURE 1

ATTACH CONTROL LEVERS (See Fig. 2)

- Using the 9/16" wrench or socket and ratchet, remove the bottom hex bolt and spring washer from the control arm.
- Rotate the control lever up until the bolt and spring washer can be placed thru the slot in the bottom of the control lever and threaded back into the control arm.
- Center the hex bolt in the slot on the control lever. Using the wrench or ratchet, tighten both the top and bottom hex bolts.
- Repeat on opposite side of the mower.

ASSEMBLY

Adjustments may be required to get uniform positioning of the control lever. Refer to the "Service and Adjustment" section of this manual.

NOTE: You may now roll or drive the mower off of the skid. Follow the appropriate instruction below to remove the mower from the skid.

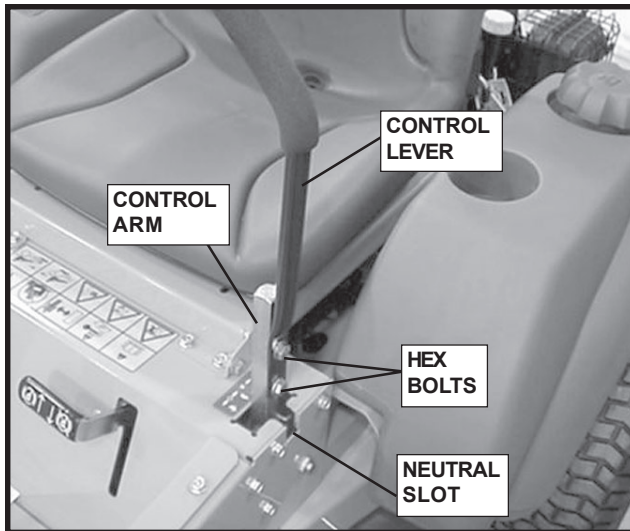


FIGURE 2

TO ROLL THE MOWER OFF OF THE SKID (See Operation section for location and function of controls)

- Move to the rear of the mower, and place the IZT (Integrate Zereturn Transaxle) bypass linkages into the bypass position to disengage the IZT's (See "TO TRANSPORT" in the Operation section of this manual).
- Sitting on the mower, press the deck lift pedal in to the highest cutting position.
- Release park brake lever.
- Roll the mower forward or backward off of the skid.

TO DRIVE THE MOWER OFF OF THE SKID (See Operation section for location and function of controls)



WARNING

Before starting, read, understand and follow all instructions in the Operation section of this manual. Be sure the mower is in a well-ventilated area. Be sure the area in front of the mower is clear of other people and objects.

- Be sure all of the above assembly steps have been completed.
- Check engine oil level and fill fuel tank with gasoline.
- Place the IZT(Integrated Zereturn Transaxle) bypass linkages into the drive position (See "TRANSPORT" in the Operation section of this manual).
- Sit on the seat in the operating position, set the park brake lever to the on position.
- Rotate the control levers outward into the neutral slot.
- Press forward on the deck lift pedal to raise the deck into the highest cutting position.
- Place the throttle control into the choke position.
- Start the engine. After the engine has started, move the throttle control to the idle position.
- Release the park brake.
- Move the control levers into the operate position.
- Slowly move the control levers forward and slowly drive the mower off of the skid.
- Return the control levers back to the neutral position.
- Apply the park brake.
- Turn the ignition key to the "OFF" position.

ASSEMBLY

CHECK THE TIRE PRESSURE

Correct tire pressure is important for best cutting performance.

- Check the tire pressure and adjust accordingly. Refer to the “SPECIFICATIONS” section in this manual.

CHECKLIST

PLEASE REVIEW THE FOLLOWING CHECKLIST

- All assembly instructions have been completed
- No remaining loose parts in crate
- Seat is adjusted properly and securely fastened
- All tires are properly inflated
- Check wiring. See that all connections are still secure, and wires are properly clamped.
- Before driving the mower, be sure the IZT(Integrated Zereturn Transaxle) bypass linkages are in the drive position.

WHILE LEARNING HOW TO USE YOUR MOWER, PAY EXTRA ATTENTION TO THE FOLLOWING ITEMS:

- Engine oil is at proper level
- Fuel tank is filled with fresh, clean, regular unleaded gasoline. Check your engine manual for fuel requirements.
- Become familiar with all controls – their location and function. Operate them before you start the engine.
- Become familiar with unit operation on a flat and level area with the mower deck shut off.
- Be sure the brake system is in a safe operating condition. If adjustment is needed see Service and Adjustment section.

OPERATION

CONTROLS

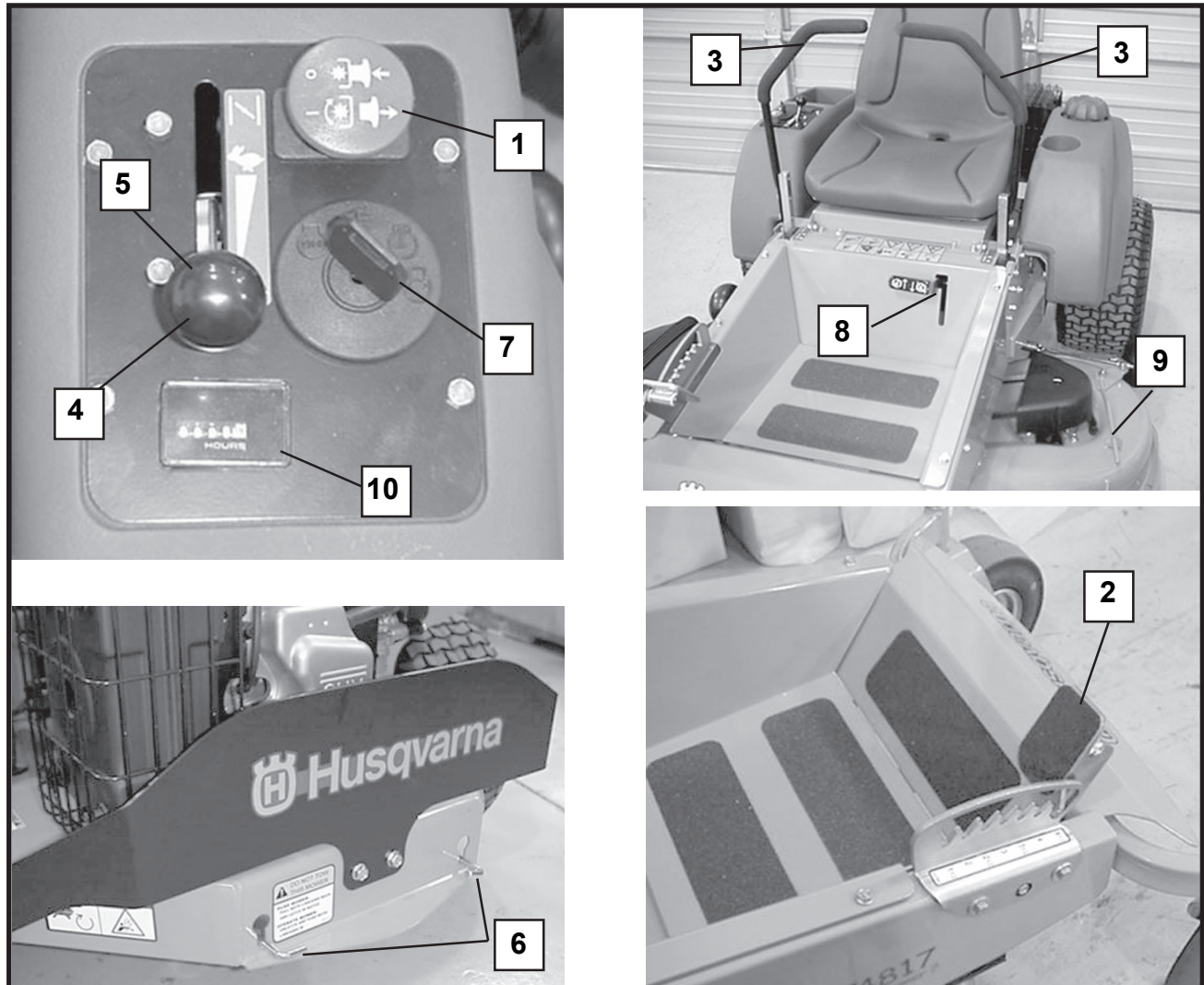


FIGURE 3

- 1. PTO SWITCH** – Used to engage or disengage the deck blades.
- 2. FOOT PEDAL** – Used to raise, lower and select various cutting heights of the deck.
- 3. CONTROL LEVERS** – Sets the speed of the mower in both forward and reverse directions and turns the mower.
- 4. CHOKE CONTROL** – Used when starting a cold engine.
- 5. THROTTLE CONTROL** – Used to control Engine Speed.
- 6. IZT (Integrated Zeroturn Transaxle) BYPASS LINKAGES** – Bypasses IZT's for pushing or pulling mower.
- 7. IGNITION SWITCH** – Used to start or stop the engine.
- 8. PARKING BRAKE LEVER** – Engages and disengages the park brakes.
- 9. TENSION RELIEF LEVER** – Used to release the belt tension on the deck belt for ease in removing or replacing the belt.
- 10. HOUR METER** – Indicates hours of operation.

OPERATION

HOW TO USE YOUR MOWER

TO SET PARKING BRAKE (See Fig. 3)

Your mower is equipped with an operator presence system. When the engine is running, any attempt by the operator to leave the seat without first setting the park brake will shut off the engine.

- Pull park brake lever up and to the right to engage the park brake. Make sure the lever is secured to the right.

DECK BLADES

- To stop the deck blades, press down on the PTO Switch into the disengaged position.

ENGINE

- Move throttle control to slow position.

NOTE: Failure to move the throttle control to slow position and allow engine to idle before stopping may cause engine to “backfire”.

- Turn ignition key to “OFF” position and remove key. Always remove key when leaving the mower to prevent unauthorized use.
- Never use choke to stop engine.

IMPORTANT: LEAVING THE IGNITION SWITCH IN ANY POSITION OTHER THAN “OFF” WILL CAUSE THE BATTERY TO BE DISCHARGED, (DEAD).



TO USE THROTTLE CONTROL (See Fig. 3)

Always operate engine at full throttle. The Throttle control is equipped with a choke detent. Pressing the throttle control all of the way forward will choke the engine. For full throttle, press throttle control forward until you feel resistance.

- Operating engine at less than full throttle reduces the battery charging rate
- Full throttle offers the best mower performance.

TO USE CHOKE CONTROL (See Fig. 3)

Use choke control whenever you are starting a cold engine. Do not use to start a warm engine.

- To choke, press the throttle control as far forward as it will go.
- To take out of choke, pull back on the throttle control until it clicks.

TO MOVE FORWARD AND BACKWARD (See Fig. 4)

IMPORTANT: CONTROL LEVERS RETURN TO NEUTRAL WHEN RELEASED. THIS MAY CAUSE A SUDDEN STOP OF THE MOWER.

The direction and speed of movement is controlled by the control levers on either side of the mower.

The left lever controls the flow of oil in the left IZT (Integrated Zereturn Transaxle) to the left wheel. The right lever controls the flow of oil in the right IZT to the right wheel.

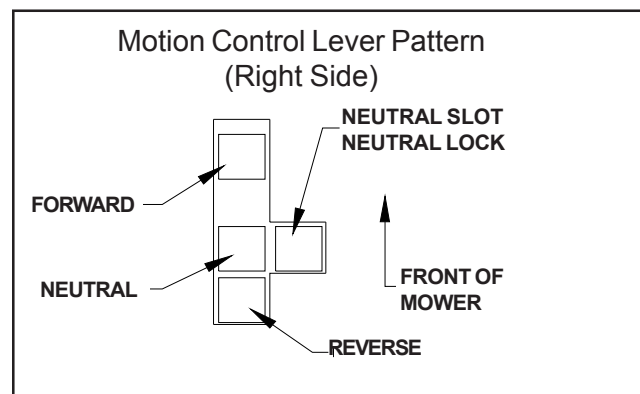


FIGURE 4

OPERATION

NOTE: To begin motion the operator must be in the seat and the parking brake disengaged before the motion control levers can be moved from the neutral slots or the engine will kill. Fig. 4 and 4A.

By moving the levers an equal amount forward or back the machine will move in a straight line in that direction. Fig. 4 and 4A

Movement of either lever forward will cause the right or left wheel to rotate in a forward direction. To stop movement pull both levers into the neutral position.

To turn right while moving in a forward direction pull the right lever back towards the neutral position, this will slow the rotation of the right wheel and cause the machine to turn in that direction.

To turn left while moving in a forward direction pull the left lever back towards the neutral position, this will slow the rotation of the left wheel and cause the machine to turn in that direction.

To zero turn pull one lever back beyond neutral while holding the other slightly ahead of neutral.

NOTE: The direction of the zero turn will be determined by which lever is pulled back beyond neutral. Thus left lever back, left zero turn and opposite for right zero turn.

Use extra care when using this maneuver the machine can spin very rapidly if one lever is positioned to far ahead of the other.

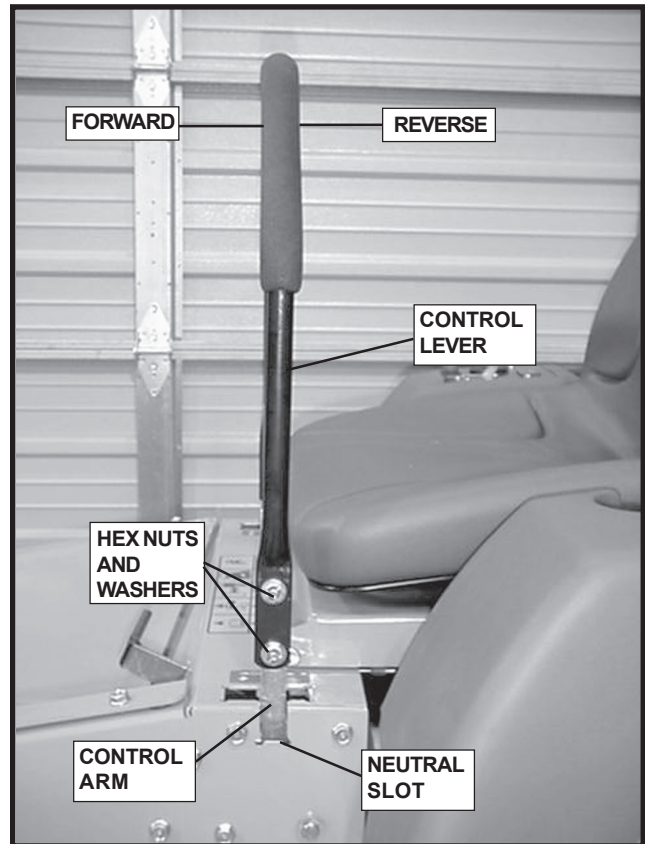


FIGURE 4A

TO ADJUST THE DECK CUTTING HEIGHT (See Fig. 5)

The deck cutting height is obtained by pressing the foot pedal forward to lift the deck. To lower the deck, you apply pressure to the top side of the foot pedal and allow it to pivot while allowing the lift arm to rotate to the rear of the unit. To stop in a desired cutting position, rotate the foot pedal down into the notch in the height plate. The cutting height range is from 1 1/2" to 4 1/2" in 1/2" increments. The heights are measured from the ground up to the blade tip with the engine not running.

- The average lawn should be cut to 2 1/2" during the cool season and to over 3" during the hot months. For healthier and better looking lawns, mow often and after moderate growth.
- For best cutting performance, grass over 6 inches in height should be mowed twice. Make the first cut relatively high; the second to the desired height.

OPERATION

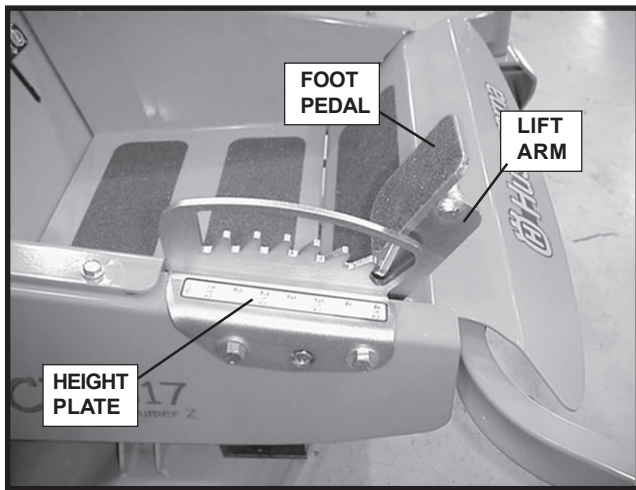


FIGURE 5

TO ADJUST ANTI-SCALP ROLLERS (See Figure 6)

Anti-scalp rollers are properly adjusted when they are just slightly off of the ground when the deck is at the desired cutting height in the operating position. Anti-scalp rollers then keep the deck in the proper position to help prevent scalping in most terrain conditions.

NOTE: Adjust Anti-scalp rollers with the mower on a flat level surface.

- Adjust the deck to the desired cutting height (see “TO ADJUST DECK CUTTING HEIGHT” in the operation section of this manual).
- Using a 3/4" wrench and a 9/16" wrench, remove the nut and shoulder bolt from the anti-scalp roller.
- Lower the anti-scalp roller to the ground, and raise it up to the next highest hole.
- Replace and tighten the nut and shoulder bolt.
- Be sure to adjust all of the anti-scalp rollers to the same position.
- Be sure to readjust the anti-scalp rollers if the cutting height is changed.

IMPORTANT: THE ANTI-SCALP ROLLERS MUST NOT BE USED FOR GAUGE WHEELS OR THE ROLLER AND DECK MAY BE DAMAGED.

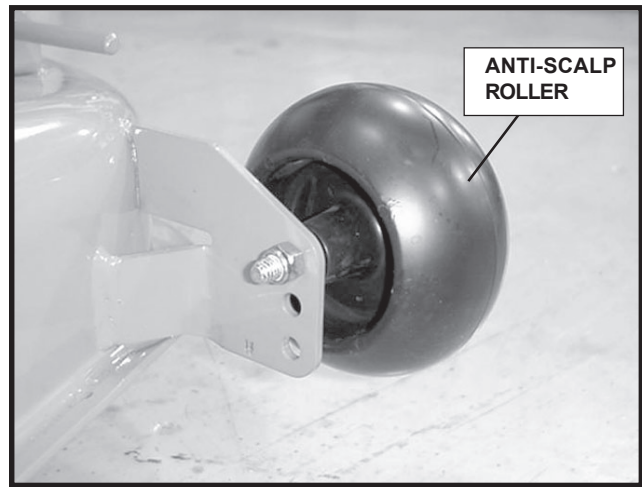


FIGURE 6

TO OPERATE MOWER

Your mower is equipped with an operator presence system. When the engine is running, any attempt by the operator to leave the seat without first setting the park brake will shut off the engine.

- Select desired height of cut.
- Start deck blades by pulling the PTO switch up into the engaged position.
- To stop the deck blades, press down on the PTO Switch into the disengaged position.



WARNING

Do not operate the deck without either the entire grass catcher, mulch kit or discharge chute installed.

TO OPERATE ON HILLS



WARNING

Do not drive up or down hills with slopes greater than 10 degrees. And do not drive across any slopes.

OPERATION

- The slowest speed possible should be used before starting up or down hills.
- Avoid stopping or changing speed on hills.
- If stopping is absolutely necessary, pull drive levers into the neutral position and push to the outside of the unit and engage the park brake.

IMPORTANT: Control levers return to neutral when released. This may cause a sudden stop of the mower.

- To restart movement, release the park brake.
- Pull the control levers back to the center of the mower and press forward to regain forward motion.
- Make all turns slowly.

TO TRANSPORT (See Fig. 7)

When pushing or pulling the mower, be sure to engage the IZT (Integrated Zeroturn Transaxle) bypass linkages. The IZT bypass linkages are located on the rear of the frame, below the rear engine guard.



CAUTION

Do not tow this vehicle, it may cause damage to the drive system.

- Raise the deck into the highest cutting position.
- Pull the IZT bypass linkages out and into the slots and release so that it is held in the bypass position.
- To reengage the IZT's to drive, reverse the above procedure.



WARNING

Do not tow any trailers, etc. with this mower. They may jackknife or overturn causing damage to the mower and possibly serious injury to the operator.

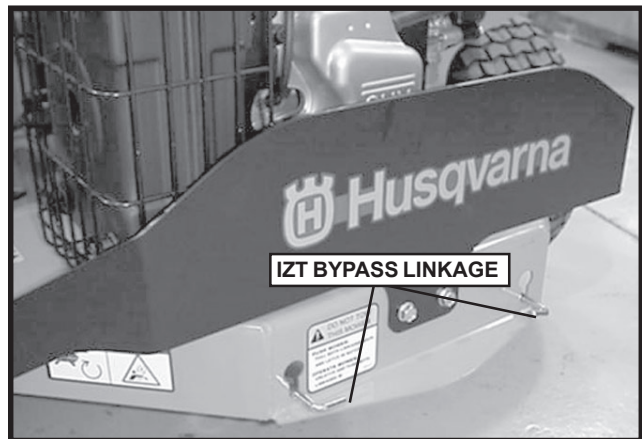


FIGURE 7

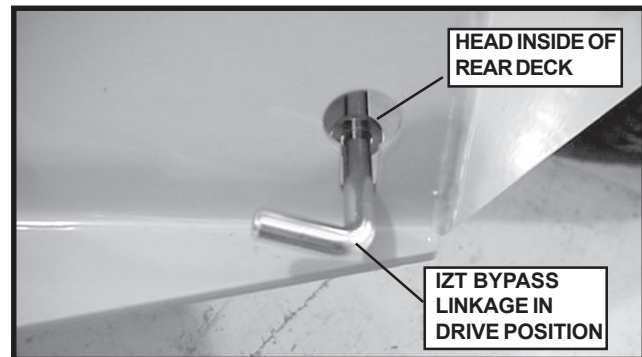


FIGURE 7A

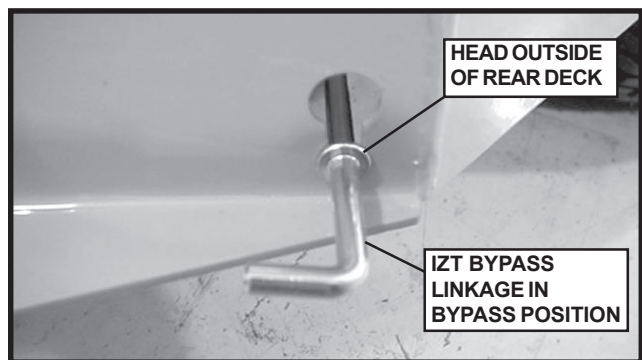


FIGURE 7B

OPERATION

BEFORE STARTING THE ENGINE

CHECK ENGINE OIL LEVEL

- The engine in your mower has been shipped from the factory, already filled with 10W-30 motor oil.
- Check engine oil with the mower on level ground.
- Refer to your Engine Owners Manual for correct oil level.
- To change engine oil, see the Customer Responsibilities section of this manual.

ADD GASOLINE

- Fill fuel tank. Use fresh, clean, regular unleaded gasoline with a minimum of 87 octane. (Use of leaded gasoline will increase carbon and lead oxide deposits and reduce valve life). Do not mix oil with gasoline. Purchase fuel in quantities that can be used within 30 days to ensure fuel freshness.

IMPORTANT: WHEN OPERATING IN TEMPERATURES BELOW 32° F. (0° C.), USE FRESH, CLEAN WINTER GRADE GASOLINE TO HELP INSURE GOOD COLD WEATHER STARTING.



CAUTION

Experience indicates that alcohol blended fuels (called gasohol or using ethanol or methanol) can attract moisture which leads to separation and formation of acids during storage. Acidic gas can damage the fuel system of an engine while in storage. To avoid engine problems, the fuel system should be emptied before storage of 30 days or longer. Drain the gas tank, start the engine and let it run until the fuel lines and carburetor are empty. Use fresh fuel the next season. See Storage Instructions for additional information. Never use engine or carburetor cleaners in the fuel tank or permanent damage may occur.



WARNING

Fill to bottom of filler neck. Do not over fill. Wipe off any spilled oil or fuel. Do not store, spill or use gasoline near an open flame.

TO START ENGINE (See Fig. 3)

When starting the engine for the first time or if the engine has run out of fuel, it will take extra cranking time to move fuel from the tank to the engine.

- Be sure IZT (Integrated Zereturn Transaxle) bypass linkages are in the drive position.
- Sit on the seat in the operators position, release park brake lever.
- Check to be sure the PTO switch is disengaged.
- Move the throttle control to the choke position.
- For a warm engine start, the choke control may not be needed

OPERATION

NOTE: Before starting, read the warm and cold starting procedures below.

- Insert key into the ignition and turn the key clockwise to “START” position and release the key as soon the engine starts. Do not run the starter continuously for more than 15 seconds per minute. If the engine does not start after several attempts, push the throttle control into the choke position, wait a few minutes and try again. If the engine still does not start, move the throttle control back into the fast position and retry.

WARM WEATHER STARTING (50° F and above)

- When the engine starts, slowly pull the throttle control back until the engine begins to run smoothly. If the engine starts to run roughly, press the throttle control back forward to choke the engine for a few seconds. Then continue to pull the throttle control back to the fast position.
- The PTO switch and ground drive can now be used. If the engine does not accept the load, restart the engine and allow it to warm up for one minute using the choke as described above.

COLD WEATHER STARTING (50° F and below)

- When the engine starts, slowly pull the throttle control back until the engine begins to run smoothly. Continue to pull back on the throttle control in small steps allowing the engine to accept small changes in speed and load, until the throttle control is completely in the fast position. If the engine starts to run roughly, press the throttle control back forward to choke the engine for a few seconds. Then continue to pull the throttle control back slowly to the fast position. This may require an engine warm up period from several seconds to several minutes, depending on the temperature.

MOWING TIPS

- The cutting deck should be properly leveled for best mowing performance. See “TO LEVEL DECK” in the Service and Adjustment section of this manual.
- The left hand side of the deck should be used for trimming.
- Drive so that clippings are discharged onto the area that has been cut. Have the cut area to the right of the mower. This will result in more even distribution of clippings and a more uniform cut.
- If grass is extremely tall, it should be mowed twice to reduce load and possible fire hazard from dried clippings. Make first cut relatively high; second to desired height.
- Do not mow grass when it is wet. Wet grass will plug the deck and leave undesirable clumps. Allow grass to dry before mowing.
- **Always operate engine at full throttle when mowing** to assure better mowing performance and proper discharge of material. Regulate ground speed by going slow enough to allow proper deck cutting performance as well as the quality of cut desired. When operating attachments, select a ground speed that will suit the terrain and give best performance of the attachment being used.

CUSTOMER RESPONSIBILITIES

| MAINTENANCE SCHEDULE | | | | | | | |
|---|-----------------|---------|-------------------|-------------------|-------------------|--------|----------------|
| | Before each use | EVERY | | | | | Before Storage |
| | | 8 Hours | 25 Hours | 50 Hours | 100 Hours | Season | |
| Check Brake Operation | X | X | | | | | |
| Check Tire Pressure | X | X | | | | | |
| Check Operator Presence and Interlock Systems | X | | | | | | |
| Check for Loose Fasteners | X | | | | X ⁵ | | X |
| Sharpen/Replace mower Blades | | | X ³ | | | | |
| Lubrication Chart | | | X | | | | X |
| Check Battery Level | | | X ⁴ | | | | |
| Clean Battery and Terminals | | | X | | | | X |
| Check V-Belts | | | | | X | | |
| Check Engine Oil Level | X | X | | | | | |
| Change Engine Oil (with oil filter) | | | | X ^{1, 2} | | | X |
| Change Engine Oil (without oil filter) | | | X ^{1, 2} | | | | X |
| Clean Air Filter | | | X ² | | | | |
| Clean Air Screen | | | X ² | | | | |
| Inspect Muffler/Spark Arrester | | | | X | | | |
| Replace Oil Filter | | | | | X ^{1, 2} | | |
| Clean Engine Cooling Fins | | | | | X ² | | |
| Replace Spark Plug | | | | | X | X | |
| Replace Air Filter Paper Cartridge | | | | | X ² | | |
| Replace Fuel Filter | | | | | | X | |

1 - change more often when operating under a heavy load or in high ambient temperatures.

2 - Service more often when operating in dirty or dusty conditions.

3 - Replace blades more often when mowing in sandy soil.

4 - Not required if equipped with maintenance-free battery.

5 - Tighten front axle pivot bolt to 35 ft./lbs. maximum. DO NOT overtighten.

GENERAL RECOMMENDATIONS

The warranty on this mower does not cover items that have been subjected to operator abuse or negligence. To receive full value from the warranty, operator must maintain mower as instructed in this manual.

Some adjustments will need to be made periodically to properly maintain your mower.

All adjustments in the Service and Adjustments section of the this manual should be checked at least once each season.

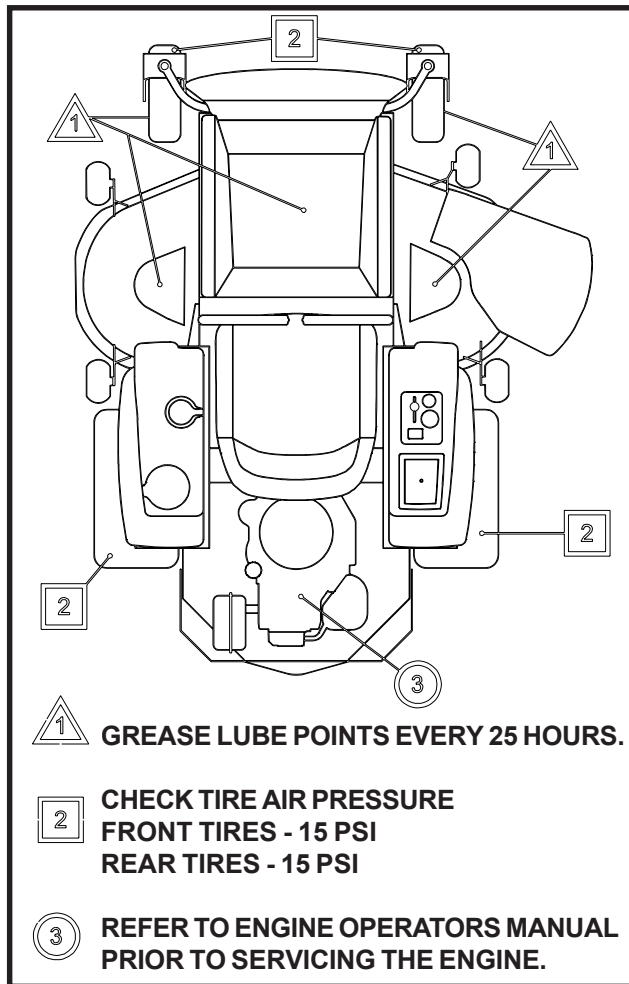
- Once a year you should replace the spark plug, clean or replace air filter, and check blades and belts for wear. A new spark plug and clean air filter assure proper air-fuel mixture and help your engine run better and last longer.

BEFORE EACH USE

- Check engine oil level.
- Check brake operation.
- Check tire pressure.
- Check operator presence and interlock systems for proper operation.
- Check for loose fasteners.

CUSTOMER RESPONSIBILITIES

LUBRICATION CHART



IMPORTANT: DO NOT OIL OR GREASE THE PIVOT POINTS WHICH HAVE SPECIAL NYLON BEARINGS. VISCOUS LUBRICANTS WILL ATTRACT DUST AND DIRT THAT WILL SHORTEN THE LIFE OF THE SELF-LUBRICATING BEARINGS. IF YOU FEEL THEY MUST BE LUBRICATED, USE ONLY A DRY, POWDERED GRAPHITE TYPE LUBRICANT SPARINGLY.

TIRES

- Maintain proper air pressure in all tires (See "SPECIFICATIONS" section of this manual).
- Keep tires free of gasoline, oil, or insect control chemicals which can harm rubber.
- Avoid stumps, stones, deep ruts, sharp objects and other hazards that may cause tire damage.

NOTE: To seal tire punctures and prevent flat tires due to slow leaks, tire sealant may be purchased from your local parts dealer. Tire sealant also prevents tire dry rot and corrosion.

OPERATOR PRESENCE SYSTEM

Be sure the operator presence and interlock systems are working properly. If your mower does not function as described, repair the problem immediately.

- The engine should not start unless the parking brake is engaged, the PTO switch is disengaged (pressed down), the operator is on the seat, and the control levers are rotated to the outside of the mower.
- When the engine is running, any attempt by the operator to leave the seat without first setting the park brake should shut off the engine.
- When the engine is running and the PTO switch is engaged, any attempt by the operator to leave the seat without first disengaging the PTO switch, should shut off the engine.
- When the engine is running and the control levers are rotated in, any attempt by the operator to leave the seat without rotating the control levers out, should shut off the engine.
- The PTO switch should never engage without the operator on the seat.

BLADE CARE

For best results, mower blades must be kept sharp. Replace bent or damage blades.

BLADE REMOVAL (See Fig. 8)

NOTE: Protect your hands with gloves and/or wrap blade with heavy cloth.

- Remove blade bolt by turning counterclockwise.
- Install new or re-sharpened blade with stamped "THIS SIDE UP" facing deck and cutter housing.

CUSTOMER RESPONSIBILITIES

IMPORTANT: TO ENSURE PROPER ASSEMBLY, CENTER HOLE IN BLADE MUST ALIGN WITH STAR ON CUTTER HOUSING.

- Install and tighten blade bolt securely (45-55 ft./lbs. torque).

IMPORTANT: SPECIAL BLADE BOLT IS HEAT TREATED.

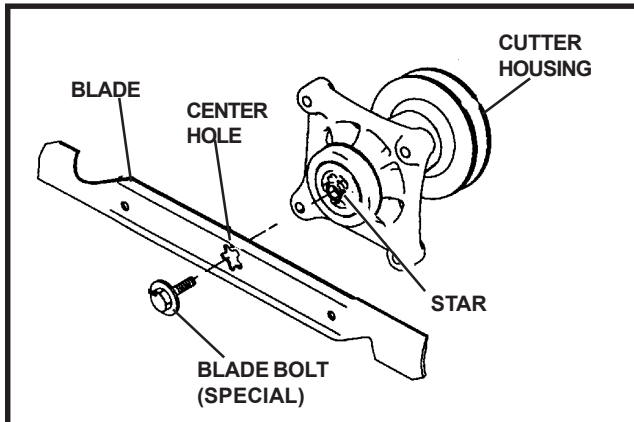


FIGURE 8

TO SHARPEN BLADE (See Fig. 9)



WARNING

When it is necessary to raise the mower for any repair or service, use jackstands to provide adequate support. **DO NOT** rely on hydraulic or mechanical jacks

Care should be taken to keep the blade balanced. An unbalanced blade will cause excessive vibration and eventual damage to mower and engine.

- The blade can be sharpened with a file or on a grinding wheel. Do not attempt to sharpen while on the mower.
- To check blade balance, you will need a 5/8" diameter steel bolt, pin, or a cone balancer. (When using a cone balancer, follow the instructions supplied with balancer.)

NOTE: Do not use a nail for balancing the blade. The lobes of the center hole may appear to be centered, but are not.

- Slide blade on to an un-threaded portion of the steel bolt or pin and hold the bolt or pin parallel with the ground. If the blade is balanced, it should remain in a horizontal position. If either end of the blade moves downward, sharpen the heavy end until the blade is balanced.

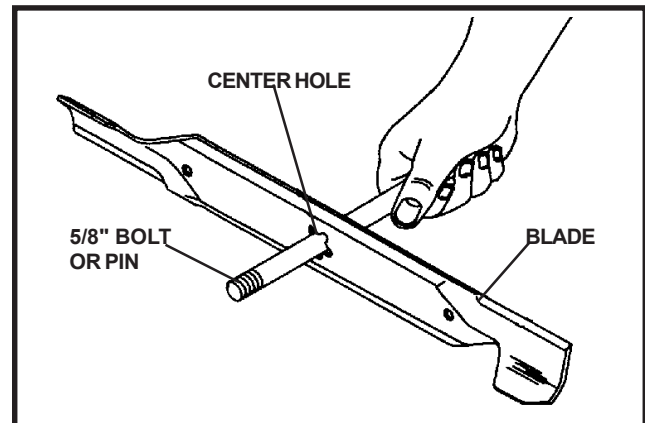


FIGURE 9

BATTERY

Your mower is equipped with a maintenance free battery and does not need servicing. However, periodic charging of the battery with an automotive type battery charger will extend its life.

- Keep battery and terminals clean.
- Keep battery bolts tight.
- Recharge at 6-10 amperes for 1 hour

CUSTOMER RESPONSIBILITIES

NOTE: Do not attempt to open or remove caps or covers. Adding or checking level of electrolyte is not necessary.

TO CLEAN BATTERY AND TERMINALS

Corrosion and dirt on the battery and terminals can cause the battery to “leak” power.

- Remove terminal guard.
- Disconnect BLACK battery cable first, then the RED battery cable and remove the battery from the tractor.
- Rinse the battery with plain water and dry.
- Clean terminals and battery cable ends with wire brush until shiny.
- Coat terminals with grease or petroleum jelly
- Reinstall battery (See “REPLACING BATTERY” in the SERVICE AND ADJUSTMENT section of this manual).

V-BELTS

Check V-belts for deterioration and wear after 100 hours of operation and replace if necessary. The Belts are not adjustable. Replace belts if they begin to slip from wear.

ENGINE

LUBRICATION

Refer to you Engine Owners Manual TO CHANGE ENGINE OIL (See Figs. 10).

- Be sure the mower is on a level surface.
- Oil will drain more freely when warm.
- Place a suitable container under the left rear corner of the rear of the mower.
- Remove oil dipstick. Be careful not to allow dirt to enter the engine when changing oil.
- Using the clear plastic tube included with your mower, place it over the end of the drain valve located on the left side of your engine.
- Place the other end of the tube thru the 2" diameter hole on the left side of the rear deck.
- Be sure container is located under this area of the mower.

- Using a 10 mm wrench, turn the hex head on the oil valve counter clockwise until the oil is draining out of the tube. After the oil has drained, turn the hex head clockwise until it is tight (do not over tighten).
- Remove the plastic tube from the valve, clean excess oil off of tube and store in a safe place for the next use.
- Refill engine with oil through the oil dipstick tube. Pour slowly. Do not overfill.
- See Engine Owners Manual for type and capacity of the oil.

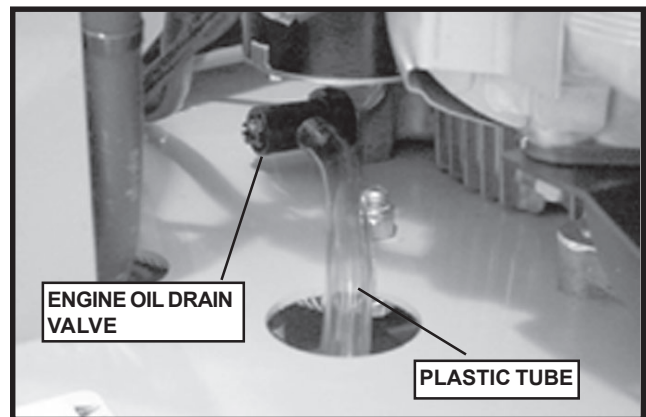


FIGURE 10

CLEAN AIR SCREEN

Air screen must be kept free of dirt and chaff to prevent engine damage from overheating. Refer to your engine manual for the proper cleaning procedure.

CLEAN AIR INTAKE/COOLING AREAS

To insure proper cooling, make sure the grass screen, cooling fins, and other external surfaces of the engine are kept clean at all times.

Every 100 hours of operation (more often under extremely dusty, dirty conditions), remove the blower housing and other cooling shrouds. Clean the cooling fins and external surfaces as necessary. Make sure the cooling shrouds are reinstalled.

NOTE: Operating the engine with a blocked grass screen, dirty or plugged cooling fins, and/or cooling shrouds removed will cause engine damage due to overheating.

CUSTOMER RESPONSIBILITIES

AIR FILTER

Your engine will not run properly using a dirty air filter. Service air cleaner more often under dusty conditions. See Engine Manual.

ENGINE OIL FILTER

Replace the engine oil filter every season or every other oil change if the mower is used more than 100 hours in one year.

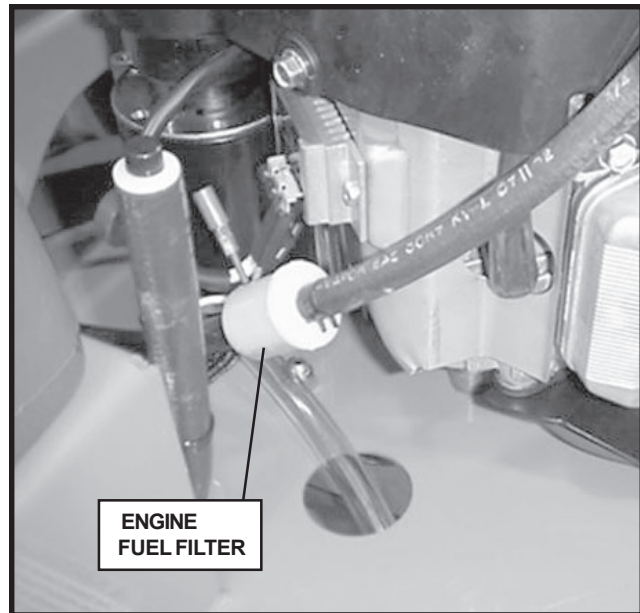


FIGURE 11

SPARK PLUGS

Replace spark plugs at the beginning of each mowing season or after every 100 hours of operation, whichever occurs first. For spark plug type and gap setting refer to your ENGINE OWNER'S MANUAL.

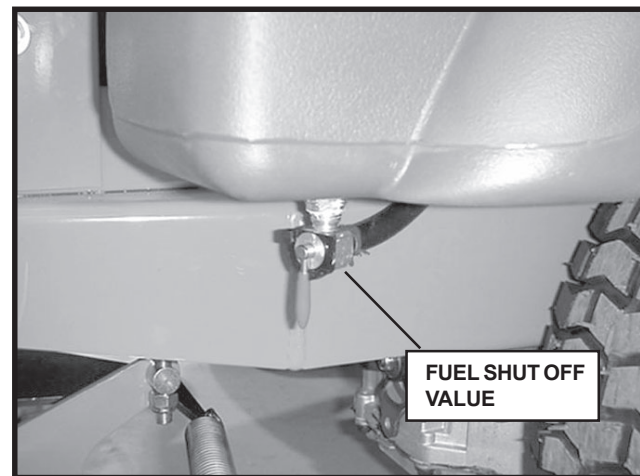


FIGURE 12

IN-LINE FUEL FILTER (See Figs. 11 and 12)

The fuel filter should be replaced once each season. If the fuel filter becomes clogged, obstructing fuel flow to carburetor, replacement is required.

- First turn off the fuel valve that is located under the fuel tank of you mower.
- With the engine cool, remove the filter and plug fuel line sections.
- Place new filter in position in fuel line with arrow pointing toward the carburetor.
- Be sure there are no fuel leaks and clamps are secure and properly positioned.
- Immediately wipe up any spilled gasoline.

CLEANING

- Clean engine, battery, seat, finish, etc. of all foreign matter.
- Keep finished surfaces and wheels free of all gasoline, oil, etc.
- Protect painted surfaces with automotive type wax

We do not recommend using a garden hose to clean you mower unless the electrical system, muffler, air filter and carburetor are covered to keep water out. Water in the engine can shorten the engine life.

SERVICE AND ADJUSTMENT



WARNING

BEFORE PERFORMING ANY SERVICE OR ADJUSTMENTS:

- Set park brake to engaged position.
- Place PTO switch in the disengaged position (pressed down).
- Turn ignition key "OFF" and remove the key.
- Make sure the blades and all moving parts have completely stopped.
- Disconnect spark plug wire from spark plug and place the wire where it cannot come in contact with the plug.

MOWER

TO LEVEL DECK

Adjust the deck while the mower is on a level surface. Make sure the tires are inflated to the correct pressure (see "SPECIFICATIONS" section in this manual). If tires are under or over inflated, you can not properly adjust your deck.

NOTE: It may be easier to adjust the front lift linkages by removing the floor pan before any adjustments are made

SIDE-TO-SIDE ADJUSTMENT (See Figs. 14 and 15)

- Raise the deck into the highest cutting position (4 1/2")
- Measure height from the bottom edge of the deck to the ground at both front corners. Distance "A" at both corners should be the same.
- If adjustment is necessary, make adjustment to one side the deck only
- To raise one side of the deck, using a 9/16" wrench, tighten the hex nuts on both the front

and rear lift linkages (be sure to tighten equal amounts).

- To lower one side of the deck, reverse previous step.
- Recheck measurements after adjustment.



FIGURE 14

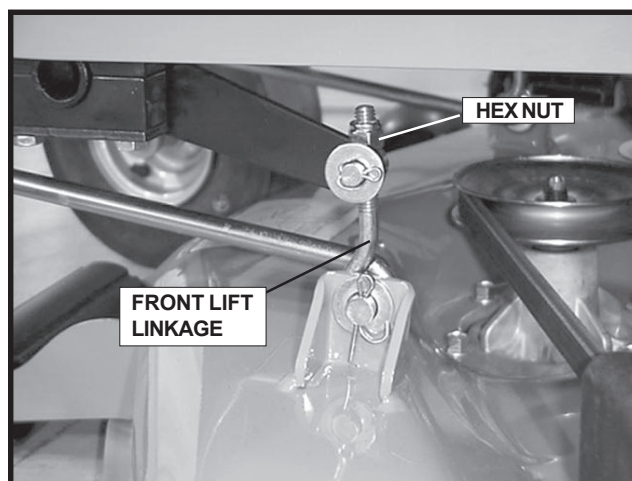


FIGURE 15

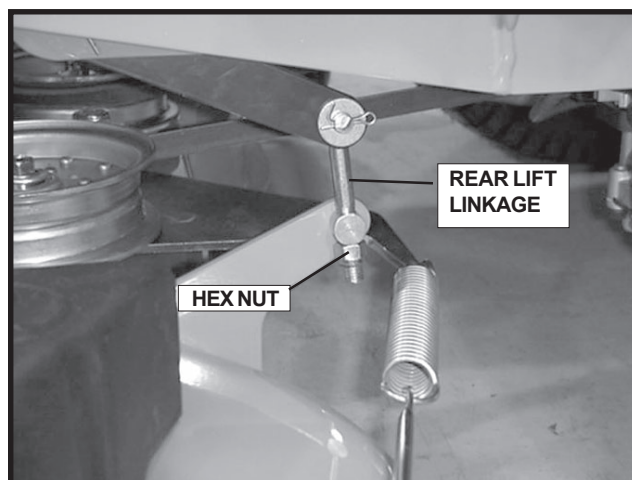


FIGURE 15A

SERVICE AND ADJUSTMENT

FRONT-TO-BACK ADJUSTMENT (See Fig. 16).

IMPORTANT: DECK MUST BE LEVEL SIDE-TO-SIDE. IF THE FOLLOWING FRONT-TO-BACK ADJUSTMENT IS NECESSARY, BE SURE TO ADJUST BOTH FRONT OR BOTH REAR LINKAGES EQUALLY SO THE DECK WILL STAY LEVEL.

To obtain the best cutting performance, the deck should be adjusted so the front tip of the blades are approximately 1/8" to 1/4" lower than the rear tip. If the front tip is higher, this will create a poor quality of cut.

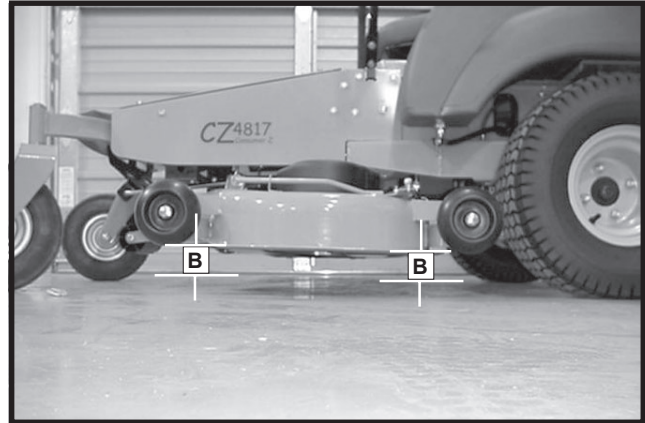


FIGURE 16



WARNING

Blades are sharp. Protect your hands with gloves and/or wrap blades with a heavy cloth when handling.

Check adjustment on the right side of the mower. Position any blade so that the tip is pointing straight forward. Measure distance "B" at the front and rear tip of the blade.

- Before making any necessary adjustments, check to make sure that the deck is level side-to-side.
- With the deck in the highest cutting position, (4 1/2") measure the front tip of the blade to see if the deck is higher or lower than 4 1/2".
- To lower the front tip of the blade, using a 9/16" wrench, loosen the hex nuts that are on the front lift linkages (be sure to loosen equal amounts).
- When distance "B" is 1/8" to 1/4" lower at the front than rear the adjustment is done.
- Reverse above step to raise the deck.

TO REPLACE DECK BELT

DECK BELT REMOVAL (See Fig. 17 and 18)

- Park on a level surface. Apply park brake.
- Lower the deck into the lowest cutting position
- Disengage the tension relief lever from the lock bracket.



WARNING

Lever is spring loaded. Have a tight grip on the lever and release slowly.

- Remove screws from both the left and right belt shields, and remove shields.
- Remove any dirt or grass that may have accumulated around the cutter housings and entire deck surface.
- Carefully roll the belt over the top of the cutter housing pulleys.
- Remove the belt from around the electric clutch on the engine shaft.
- The belt can now be removed.

SERVICE AND ADJUSTMENT

DECK BELT INSTALLATION (See Figs. 17 and 18)

NOTE: For ease in installing the deck belt, refer to the routing decal on the front edge of the deck.

- Wrap the deck belt around the electric clutch that is located on the engine shaft.
- Push the rest of the belt through the IZT(Integrated Zereturn Transaxle) support and up onto the deck.
- Starting on the right hand side of the deck, wrap the belt around the large right side idler, right cutter housing pulley, small center idler, center pulley, left side pulley and then around the large left side idler.
- The belt will be loose at this point.
- Tightly secure the belt tension rod and reengage it in the lock bracket.

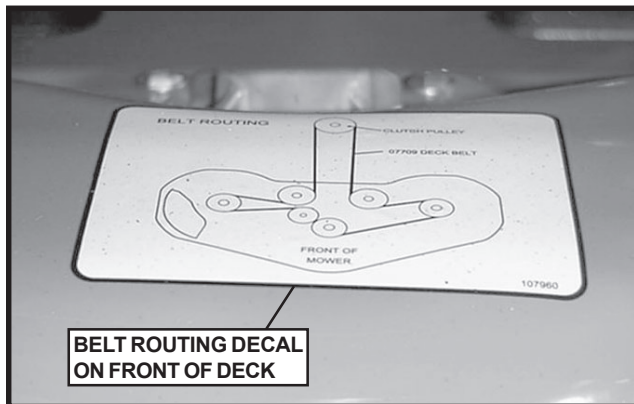


FIGURE 17



FIGURE 17A

TO REPLACE IZT (Integrated Zereturn Transaxle) BELT (See Fig. 18)

Park the mower on a level surface. Engage the park brake.

IZT BELT REMOVAL

NOTE: Be careful not to damage the fan blades on the IZT's as this can affect cooling or damage the IZT's

- Remove the deck belt (see "TO REPLACE DECK BELT" in this section of the manual).
- Create slack in the belt by removing the spring on the pump idler arm.
- The belt should now be able to be removed from the engine pulley and IZT pulleys.

BELT INSTALLATION

- Wrap the IZT belt around the IZT pulleys
- Route the belt around the inside of the idler pulley.
- Now you can wrap the belt around the engine pulley.
- Reattach the spring on the pump idler arm.
- Reinstall the deck belt onto the electric clutch belt (see "TO REPLACE DECK BELT" in this section of the manual).

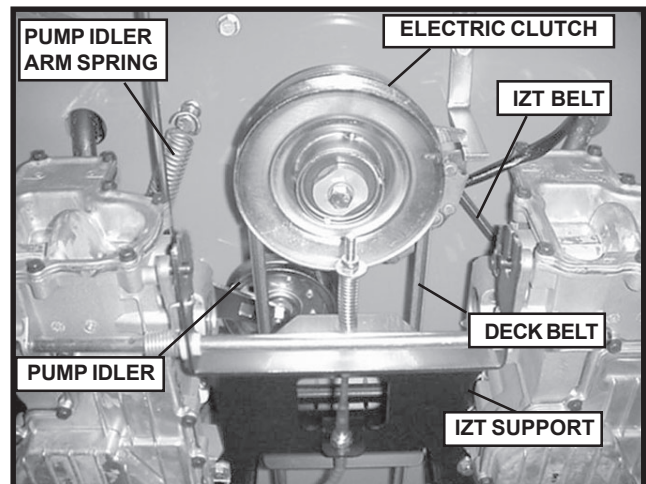


FIGURE 18

SERVICE AND ADJUSTMENT

TO ADJUST THE SEAT (See Fig. 1)

- Move the control levers into the neutral position and rotate to the outside of the machine.
- Lift up on the back of the seat and rotate it forward.
- Loosen the three prong knobs on the bottom of the seat and move the seat to the desired position.
- Tighten the three prong knobs and rotate seat back to the operating position.

TO ADJUST CONTROL LEVERS (See Fig. 2)

Sitting on the seat, in the operators position, press both control levers forward. If both control levers line up with each other, then no adjustment is needed. If they do not line up, follow instructions below.

- Identify which control lever moves further forward.
- Using a 9/16" wrench, slightly loosen the bottom hex bolt (about 1/2 turn) on the opposite control lever.
- Move both control levers to the front again and apply more pressure to the control lever that you loosened to bring the two control levers in line with each other.
- Tighten hex bolts.

TO REMOVE WHEELS FOR REPAIR

FRONT CASTER TIRES

- Park mower on a level surface and apply park brake.
- Jack up the front end of the mower.
- Using a 3/4" wrench and/or socket w/ drive ratchet, remove hex nut and hex bolt from the caster fork.
- Remove the tire from the fork.

- Remove the spacer from the inside of the caster rim.
- Repair tire
- Reassemble in the reverse order of the previous steps.

REAR TIRES

IMPORTANT: Block front tires to prevent the mower from rolling.

- Park mower on a level surface and apply park brake.
- Jack up the rear end of the mower on the side of the damaged tire.
- Remove 4 lug nuts to allow wheel removal
- Repair tire.
- Reassemble in reverse order of previous steps

NOTE: To seal tire punctures and prevent flat tires due to slow leaks, tire sealant may be purchased from your local parts dealer. Tire sealer also prevents tire dry rot and corrosion.

TO START AN ENGINE WITH A WEAK BATTERY



WARNING

Lead-acid batteries generate explosive gases. Keep sparks, flame and smoking materials away from batteries. Always wear eye protection when around batteries.

If your battery is too weak to start the engine, it should be recharged. (See "BATTERY" in the Customer Responsibilities section of this manual).

If "jumper cables" are used for emergency starting, follow this procedure:

IMPORTANT: YOUR MOWER IS EQUIPPED WITH A 12-VOLT NEGATIVE GROUNDED SYSTEM. THE OTHER VEHICLE MUST ALSO BE A 12-VOLT NEGATIVE GROUNDED SYSTEM. DO NOT USE YOUR MOWER BATTERY TO START OTHER VEHICLES.

SERVICE AND ADJUSTMENT

TO ATTACH JUMPER CABLES

- Connect each end of the RED cable to the POSITIVE (+) terminal on each battery, taking care not to short against chassis.
- Connect one end of the BLACK cable to the NEGATIVE (-) terminal of the fully charged battery.
- Connect the other end of the BLACK cable to a good CHASSIS GROUND, away from the fuel tank and battery.

TO REMOVE CABLES, REVERSE ORDER

- BLACK cable first from chassis and then from the fully charged battery.
- RED cable last from both batteries.

- Connect BLACK grounding cable to negative (-) battery terminal with remaining hex bolt and hex nut.
- Tighten securely.
- Close terminal access doors.
- Lower seat.

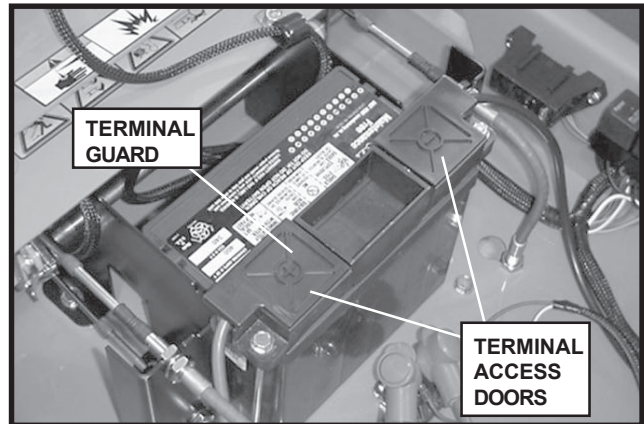


FIGURE 19

REPLACING BATTERY (See Fig. 19)



WARNING

Do not short battery terminals by allowing a wrench or any other object to contact both terminals at the same time. Before connecting battery, remove metal bracelets, wristwatch bands, rings, etc.

Positive terminal must be connected first to prevent sparking from accidental grounding.

- Lift Seat and rotate forward.
- Open terminal access doors.
- Using two 1/2" wrenches disconnect BLACK battery cable then RED battery cable.
- Using 7/16" wrench, remove terminal guard.
- Carefully remove the battery from the mower.
- Install new battery with terminals in the same position as the old battery.
- Reinstall terminal guard
- First connect RED battery cable to positive (+) battery terminal with hex bolt and hex nut.

TO ADJUST PARK BRAKE

Before making any adjustments:

NOTE: Make sure the brake arm is engaged into brake sprocket on both sides. You can push the mower to make it engage into the sprocket. See Fig. 20.

- With the park brake in the on position, the compression spring should be 2" from the "U" shaped brake arm to the washer. See Fig. 20. If not, use two wrenches, one to hold the bolt and one to turn the nut to attain the 2".

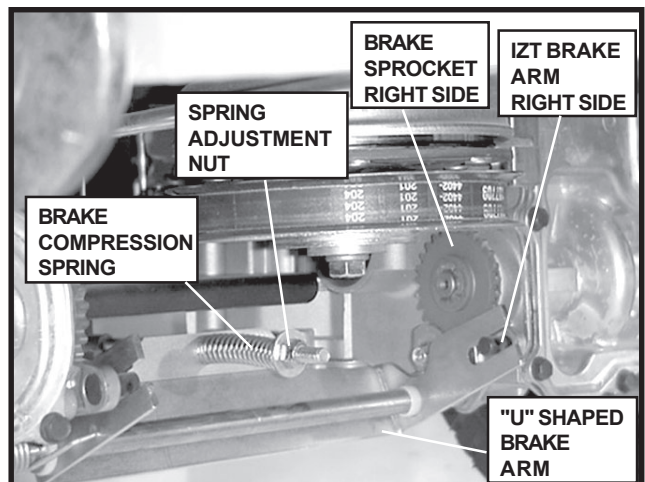


FIGURE 20

SERVICE AND ADJUSTMENT

- 1/4" gap should exist between the "U" shaped brake arm and the inside of the brake bolt head. See Fig. 21.

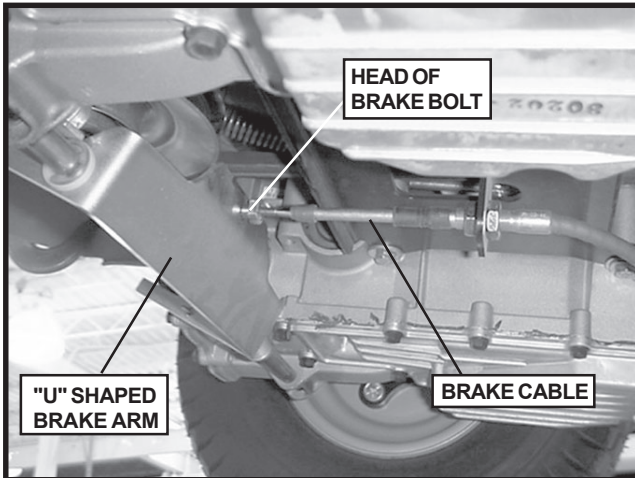


FIGURE 21

- The 1/4" gap can be adjusted with the brake swivel (located under the seat), pull pin and rotate swivel one turn counterclockwise to increase gap or clockwise to decrease the gap until the 1/4" gap is attained. See Fig. 22.

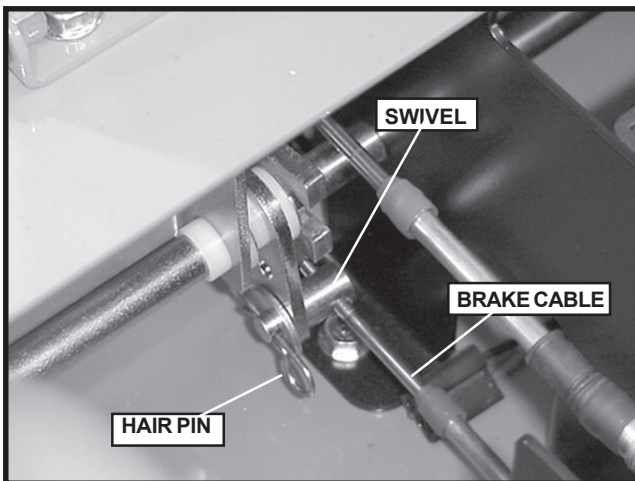


FIGURE 22

NOTE: After making any adjustments, check to make sure the brake disengages the brake sprockets, when the brake is in the "OFF" position.

TRACKING ADJUSTMENT

IMPORTANT: DO NOT adjust the drive cables in an attempt to resolve tracking issues. Cables are set at the factory and should only be adjusted by authorized service retailers.

If the mower is not tracking straight, check the air pressure in both rear tires. Recommended air pressure is 15 psi. If the unit will not track straight, follow the steps below. Tracking must be checked on a flat and level concrete or blacktop surface.

- **Mower is tracking to the right.** Increase the air pressure 2-3 psi in the right rear tire or decrease the air pressure 2/3 psi in the left rear tire.
- **Mower is tracking to the left.** Increase the air pressure 2-3 psi in the left rear tire or decrease the air pressure 2/3 psi in the right rear tire.

Recheck tracking and keep making adjustments with the tire pressure until the unit tracks straight. DO NOT exceed maximum recommended tire pressure 24 psi.

Record the tire pressure for future reference.

STORAGE

Immediately prepare your mower for storage at the end of the season or if the mower will not be used for 30 days or more.



WARNING

Never store the mower with gasoline in the tank inside a building where fumes may reach an open flame or spark. Allow the engine to cool before storing in any enclosure.

MOWER

When mower is to be stored for a period of time, clean it thoroughly, remove all dirt, grease, leaves, etc. Store in a clean, dry area.

- Clean entire mower (See "CLEANING" in the Customer Responsibilities section of this manual).
- Inspect and replace belts, if necessary (See belt replacement instructions in the Service and Adjustments section of this manual).
- Lubricate as shown in the Customer Responsibilities section of this manual.
- Be sure that all nuts, bolts and screws are securely fastened. Inspect moving parts for damage, breakage and wear. Replace if necessary.
- Touch up all rusted or chipped paint surfaces; sand lightly before painting.

BATTERY

- Fully charge the battery for storage.
- After a period of time in storage, battery may require recharging.
- To help prevent corrosion and power leakage during long periods of storage, battery cables should be disconnected and battery cleaned thoroughly (see "TO CLEAN BATTERY AND TERMINALS" in the Customer Responsibilities section of this manual).

- After cleaning, leave cables disconnected and place cables where they cannot come in contact with battery terminals.
- If battery is removed from mower for storage, do not store battery directly on concrete or damp surfaces.

ENGINE

FUEL SYSTEM

IT IS IMPORTANT TO PREVENT GUM DEPOSITS FROM FORMING IN ESSENTIAL FUEL SYSTEM PARTS SUCH AS CARBURETOR, FUEL FILTER, FUEL HOSE, OR TANK DURING STORAGE. ALSO, EXPERIENCE INDICATES THAT ALCOHOL BLENDED FUELS (CALLED GASOHOL OR USING ETHANOL OR METHANOL) CAN ATTRACT MOISTURE WHICH LEADS TO SEPARATION AND FORMATION OF ACIDS DURING STORAGE. ACIDIC GAS CAN DAMAGE THE FUEL SYSTEM OF AN ENGINE WHILE IN STORAGE.

- Drain the fuel tank.
- Start the engine and let it run until the fuel lines and carburetor are empty.
- Never use engine or carburetor cleaner products in the fuel tank or permanent damage may occur.
- Use fresh fuel next season.

NOTE: Fuel stabilizer is an acceptable alternative in minimizing the formation of fuel gum deposits during storage. Add stabilizer to gasoline in fuel tank or storage container. Always follow the mix ratio found on stabilizer container. Run engine at least 10 minutes after adding stabilizer to allow the stabilizer to reach the carburetor. Do not drain the gas tank and carburetor if using fuel stabilizer.

ENGINE OIL

Drain oil (with engine warm) and replace with clean engine oil. (See "ENGINE" in the Customer Responsibilities section of this manual).

STORAGE

CYLINDER(S)

- Remove spark plug(s).
- Pour one ounce of oil through spark plug hole(s) into cylinder(s).
- Install plugs.
- Turn ignition key to "START" position for a few seconds to distribute oil.
- Replace with new spark plug(s).

OTHER

- Do not store gasoline from one season to another.
- Replace your gasoline can if your can starts to rust. Rust and/or dirt in your gasoline will cause problems.
- If possible, store your mower indoors and cover it to give protection from dust and dirt.
- Cover your mower with a suitable protective cover that does not retain moisture. Do not use plastic. Plastic cannot breathe which allows condensation to form and will cause your mower to rust.

IMPORTANT: NEVER COVER MOWER WHILE ENGINE AND EXHAUST AREAS ARE STILL WARM.

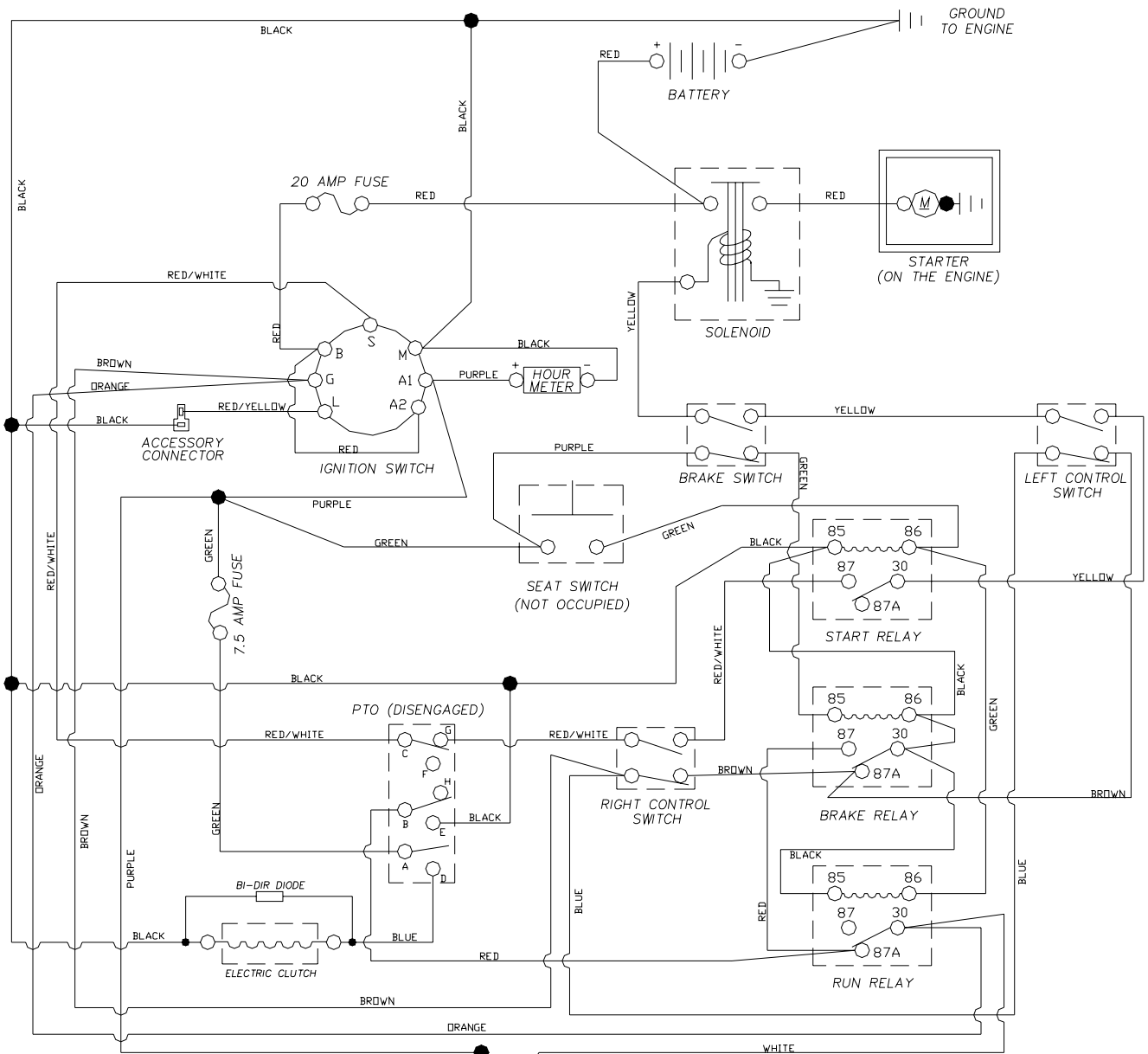
TROUBLESHOOTING POINTS

| PROBLEM | CAUSE | CORRECTION |
|---|---|---|
| Will not start | <ol style="list-style-type: none"> 1. Out of fuel. 2. Engine not "CHOKED" properly. 3. Engine flooded. 4. Bad spark plug. 5. Dirty air filter. 6. Dirty fuel filter. 7. Water in fuel. 8. Loose or damaged wiring. 9. Carburetor out of adjustment. 10. Engine valves out of adjustment. 11. Extreme cold conditions. | <ol style="list-style-type: none"> 1. Fill fuel tank. 2. See "TO START ENGINE" in Operation section. 3. Wait several minutes before attempting to start. 4. Replace spark plug. 5. Clean/replace air filter. 6. Replace fuel filter. 7. Drain fuel tank and carburetor, refill tank with fresh gasoline and replace fuel filter. 8. Check all wiring. 9. See Engine Manual. 10. Contact an authorized service center/department. 11. See "To start engine" in operation section. |
| Hard to start | <ol style="list-style-type: none"> 1. Dirty air filter. 2. Bad spark plug. 3. Weak or dead battery. 4. Dirty fuel filter. 5. Stale or dirty fuel. 6. Loose or damaged wiring. 7. Carburetor out of adjustment. 8. Engine valves out of adjustment. | <ol style="list-style-type: none"> 1. Clean/replace air filter. 2. Replace spark plug. 3. Recharge or replace battery. 4. Replace fuel filter. 5. Drain fuel tank and refill with fresh gasoline. 6. Check all wiring. 7. See Engine Manual. 8. Contact an authorized service center/department. |
| Engine will not turn over | <ol style="list-style-type: none"> 1. Brake pedal not depressed. 2. Attachment clutch is engaged. 3. Weak or dead battery. 4. Blown fuse. 5. Corroded battery terminals. 6. Loose or damaged wiring. 7. Faulty ignition switch. 8. Faulty solenoid or starter. 9. Faulty operator presence switch(es). | <ol style="list-style-type: none"> 1. Depress brake pedal. 2. Disengage attachment clutch. 3. Recharge or replace battery. 4. Replace fuse. 5. Clean battery terminals. 6. Check all wiring. 7. Check/replace ignition switch. 8. Check/replace solenoid or starter. 9. Contact an authorized service center/department. |
| Engine clicks but will not start | <ol style="list-style-type: none"> 1. Weak or dead battery. 2. Corroded battery terminals. 3. Loose or damaged wiring. 4. Faulty solenoid or starter. | <ol style="list-style-type: none"> 1. Recharge or replace battery. 2. Clean battery terminals. 3. Check all wiring. 4. Check/replace solenoid or starter. |
| Loss of power | <ol style="list-style-type: none"> 1. Cutting too much grass/too fast. 2. Throttle in "CHOKE" position. 3. Buildup of grass, leaves and trash under deck. 4. Dirty air filter. 5. Low oil level/dirty oil. 6. Faulty spark plug. 7. Dirty fuel filter. 8. Stale or dirty fuel. 9. Water in fuel. 10. Spark plug wire loose. 11. Dirty engine air screen/fins. 12. Dirty/clogged muffler. 13. Loose or damaged wiring. 14. Carburetor out of adjustment. 15. Engine valves out of adjustment. | <ol style="list-style-type: none"> 1. Set in "Higher Cut" position/reduce speed. 2. Adjust throttle control. 3. Clean underside of mower housing. 4. Clean/replace air filter. 5. Check oil level/change oil. 6. Clean and re-gap or change spark plug. 7. Replace fuel filter. 8. Drain fuel tank and refill with fresh gasoline. 9. Drain fuel tank and carburetor, refill tank with fresh gasoline and replace fuel filter. 10. Connect and tighten spark plug wire. 11. Clean engine air screen/fins. 12. Clean/replace muffler. 13. Check all wiring. 14. See Engine Manual. 15. Contact an authorized service center/department. |
| Excessive vibration | <ol style="list-style-type: none"> 1. Worn, bent or loose blade. 2. Bent blade mandrel. 3. Loose/damaged part(s). | <ol style="list-style-type: none"> 1. Replace blade. Tighten blade bolt. 2. Replace blade mandrel. 3. Tighten loose part(s). Replace damaged parts. |

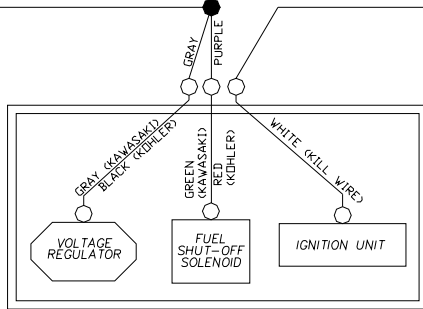
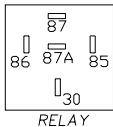
TROUBLESHOOTING POINTS

| PROBLEM | CAUSE | CORRECTION |
|--|--|---|
| Engine continues to run when operator leaves seat with attachment | <ol style="list-style-type: none"> 1. Faulty operator-safety presence control system. | <ol style="list-style-type: none"> 1. Check wiring, switches and connections. If not corrected, contact an authorized service center/department. |
| Poor cut - uneven | <ol style="list-style-type: none"> 1. Worn, bent or loose blade. 2. Mower deck not level. 3. Buildup of grass, leaves, and trash under mower. 4. Bent cutter housing. 5. Clogged mower deck vent holes from buildup of grass, leaves, and trash around cutter housing. | <ol style="list-style-type: none"> 1. Replace blade. Tighten blade bolt. 2. Level mower deck. 3. Clean underside of mower housing. 4. Replace cutter housing. 5. Clean around cutter housing to open vent holes. |
| Mower blades will not rotate | <ol style="list-style-type: none"> 1. Obstruction in clutch mechanism. 2. Worn/damaged mower drive belt. 3. Frozen idler pulley. 4. Frozen cutter housing. | <ol style="list-style-type: none"> 1. Remove obstruction. 2. Replace mower drive belt. 3. Replace idler pulley. 4. Replace cutter housing. |
| Poor grass discharge | <ol style="list-style-type: none"> 1. Engine speed too slow. 2. Travel speed too fast. 3. Wet grass 4. Mower deck not level. 5. Low/uneven tire air pressure. 6. Worn, bent or loose blade. 7. Buildup of grass, leaves and trash under mower. 8. Mower drive belt worn. 9. Blades improperly installed. 10. Improper blades used. 11. Clogged mower deck vent holes from buildup of grass, leaves and trash around cutter housing. | <ol style="list-style-type: none"> 1. Place throttle control in "FAST" position. 2. Shift to slower speed. 3. Allow grass to dry before mowing. 4. Level mower deck. 5. Check tires for proper air pressure. 6. Replace/sharpen blade. Tighten blade bolt. 7. Clean underside of mower housing. 8. Replace mower drive belt. 9. Reinstall blades sharp edge down. 10. Replace with blades listed in this manual. 11. Clean around cutter housing to open bent holes. |
| Battery will not charge | <ol style="list-style-type: none"> 1. Bad battery cell(s). 2. Poor cable connections. 3. Faulty regulator (if so equipped). 4. Faulty alternator. | <ol style="list-style-type: none"> 1. Replace battery. 2. Check/clean all connections. 3. Replace regulator. 4. Replace alternator. |
| Loss of drive | <ol style="list-style-type: none"> 1. IZT bypass linkages in bypass position. 2. IZT belt worn, damaged, or broken. | <ol style="list-style-type: none"> 1. Place IZT bypass linkages in drive in "engaged" position. 2. Replace IZT belt. |
| Engine "backfires" when turning engine "OFF" | <ol style="list-style-type: none"> 1. Engine throttle control not set at "SLOW" position for 30 seconds before stopping engine. | <ol style="list-style-type: none"> 1. Move throttle control to "SLOW" position and allow to idle for 30 seconds before stopping engine. |

WIRING SCHEMATIC

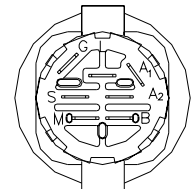
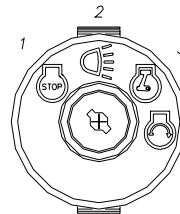


| POSITION | CIRCUIT |
|----------|---------------------|
| OFF | C + G, B + H |
| ON | C + F, B + E, A + D |



NON-REMOVABLE CONNECTIONS

REMOVABLE CONNECTIONS



| POSITION | FUNCTION | CONTACT 1 | CONTACT 2 |
|----------|----------|--------------------|------------------|
| 1 | OFF | M+G+A ₁ | NONE |
| 2 | ON+ASS. | B+A ₁ | L+A ₂ |
| 3 | ON | B+A ₁ | NONE |
| 4 | START | B+S+A ₁ | NONE |

 **Husqvarna**