

RBH 180

Operator's manual



Please read these instructions carefully and make sure you understand them before using the machine.

TABLE OF CONTENTS

INTERNATIONAL SYMBOLS	1
SAFETY RULES	2
ASSEMBLY	3
OPERATION	7
MAINTENANCE	12
ADJUSTMENTS	17
WIRING DIAGRAM	21
TROUBLESHOOTING GUIDE	22
STORAGE	24
TECHNICAL SPECIFICATIONS	25

Read this manual carefully so that you will know how to assemble, use and maintain this unit.
 Fill in and mail the registration card provided with the unit. For service other than described in this manual, contact an authorized service dealer. He will provide you with parts and service.

Note: This lawn tractor is equipped with a combustion engine, which should not be used near any land covered with grass or brush, unless the engine's exhaust system is equipped with a spark arrester meeting local laws. The operator should maintain the spark arrester in effective working order.

INTERNATIONAL SYMBOLS

These symbols appear on your unit and in the supplied documentation.
 You should learn and understand their meaning.



Read operator's manual.

R	N	T	F					
Reverse	Neutral	Transport position	Forward	Fast	Slow	Engine Off	Do not smoke	Choke
Engine start	Brake to STOP	Brake release	Mower Height	Reverse	Forward	Check engine		
Engine run	Keep hands out	Clutch Disengage	Parking brake	Brake	Warning	Never leave tractor when running		
Noise level	Rotating Blades	European machinery directive for safety	Never drive across a slope	Never use the cutter if there are people, especially children, or pets, in the vicinity.	Never campy passengers	Do not raise up		

SAFETY RULES

These instructions are for your protection. You should read them carefully.



WARNING: This lawn tractor is able to cut hands, feet, and throwing objects. If you do not follow the safety instructions, you could experience serious injuries.



1. GENERAL OPERATION:

- Know controls and how to stop quickly.
- Read, understand, and follow all instructions in the manual and on the machine before starting.
- Only allow responsible adults, who are familiar with instructions, to operate the machine.
- Wear safety glasses or eye shields when assembling or operating the machine.
- Do not operate machine when barefoot. Always wear substantial footwear, preferably steel-toed shoes.
- Do not wear loose fitting clothing that could get caught in moving parts.
- Clear the area of objects such as rocks, toys, wires, etc., which could be picked up and thrown by the blades.
- Be sure the area is clear of other people before mowing.
- Stop machine if anyone enters the area.
- Never carry passengers.
- Do not mow in reverse unless absolutely necessary.
- Always look down and behind before and while backing.
- Be aware of the mower discharge and do not point it at anyone.
- Do not operate the mower without the entire grass collector.
- Slow down before turning.
- Never leave a running machine unattended. Always turn off blades, set parking, stop engine, and remove keys before dismounting.
- Turn off blades when not mowing.
- Stop engine before removing grass collector.
- Mow only in day light or good artificial light.
- Do not operate the machine while under the influence of alcohol or drugs.
- Watch for traffic when operating near or crossing roadways.
- Use care when mowing around a fixed object to prevent the blades from striking it. Never deliberately run over any foreign object.
- Use extra care when loading or unloading the machine into a trailer or truck.
- Use care when pulling loads or using heavy equipment.
 - a. Use only approved drawbar hitch points.
 - b. Limit loads to those that you can safely control.
 - c. Do not run sharply. Use care when backing.
 - d. Use counterweights, wheel weight when suggested in attachments instructions.

2. SLOPE OPERATION

Slopes are a major factor related to loss-control and tip-over accidents, which can result in severe injury or death. All slopes require extra caution. If you cannot back up the slope or if you feel uneasy on it, do not mow it.

DO

- Mow up and down, not across.
- Remove obstacles such as rocks, tree limbs, etc.
- Watch for holes, ruts, or bumps. Uneven terrain could overturn the machine. Tall grass can hide obstacles.
- Use slow speed. Choose a low gear so that you will not have to stop or shift while on slope.
- Follow the manufacturer's recommendations for wheel weights or counterweights to improve stability.
- Use extra care with grass collector or other attachment. This can change the stability of the machine.
- Keep all movements on the slope slow and gradual. Do not make sudden changes in speed or direction.
- Avoid starting or stopping on a slope. If tires lose traction, turn off the blades and proceed slowly down the slope.

DO NOT

- Do not turn on slopes unless necessary, and then slowly and gradually downhill, if possible.
- Do not mow near drop-off, ditches or embankments. The mower could suddenly turn over if a wheel is over the edge of a cliff or ditch, or if an edge caves in.
- Do not mow on wet grass. Reduced traction could cause sliding.
- Do not try to stabilize the machine by putting your foot on the ground.

3. CHILDREN

Tragic accidents can occur if the operator is not alert to the presence of children. Children are often attracted to the machine and the mowing activity. Never assume that children will remain where you last saw them.

- Keep children out of the mowing area and under the watchful care of another responsible adult.
- Be alert and turn machine off if children enter the area.
- Before and when backing, look behind and down for small children.
- Never carry children. They may fall off and be seriously injured or interfere with safe machine operation.
- Never allow children to operate the machine.
- Use extra care when approaching blind corners, shrubs, trees, or other objects that may obscure vision.

4. SERVICE

- Use extra care in handling gasoline and other fuels.
 - a. Use only an approved container
 - b. Never remove gas cap or add fuel with the engine running. Allow engine to cool before refuelling. Do not smoke.
 - c. Never refuel the machine indoors.
 - d. Never store the machine or fuel container inside where there is an open flame, such as in water heater.
- Check fuel supply before each use allowing space for expansion as the heat of the engine and sun can cause gasoline to expand and overflow the tank.
- Use extra care when handling battery acid. Acid contact with skin may cause severe burns. Eye contact may cause blindness.
- Use extra care when servicing the battery. Explosive gas is produced in the battery. Do not service the battery while smoking or near open spark or flame. This may cause the battery to explode causing serious injury.
- Never run a machine inside a closed area. Exhaust fumes contain carbon monoxide, an odourless and deadly gas.
- Keep nuts and bolts, especially blade attachments bolts, tight and keep equipment in good condition.
- Never tamper with safety devices. Check their operation regularly.
- Do not change the engine governor settings or overspread engine.
- Reduce fire hazards. Keep machine free of grass, leaves, or other debris build-up. Clean up oil or fuel spillage. Allow machine to cool before storing.
- Stop and inspect the equipment if you strike an object. Repair, if necessary, before restarting.
- Never make adjustments or repairs with the engine running.
- Grass collector components are subjects to wear, damage, and deterioration, which could expose moving parts or allow objects to be thrown. Frequently check components, and replace with manufacturer's recommended spare parts, when necessary.
- Mower blades are sharp and can cut. Wrap the blades or wear gloves, and use extra caution when servicing them.
- Check brake operating frequently. Adjust and service as required.



THIS SYMBOL MEANS THAT IMPORTANT SAFETY PRECAUTIONS HAVE TO BE POINTED OUT. YOUR SAFETY IS INVOLVED.

ASSEMBLY

UNPACKING

The tractor is not completely assembled at the factory, for transportation reasons.

After removing the packaging, check the machine for any damage during the shipment, locate the hardware bag and loose parts. Take care while removing the machine from the pallet, to avoid any damage to the mower deck.

STANDARD PACKING

- tractor
- steering wheel
- seat with holder
- battery
- grass collector
- trailer hitch
- bag with operator's manual, parts manual, 2 keys for ignition, 1 decal with an arrow.
- hardware bag for grass collector

IDENTIFICATION

The tractor identification plate is located under the driver's seat and behind the battery. Make a note of the serial number on this page. This serial number will have to be quoted when contacting your distributor for service and ordering spare parts for the tractor. See fig. 1.

Serial No.:

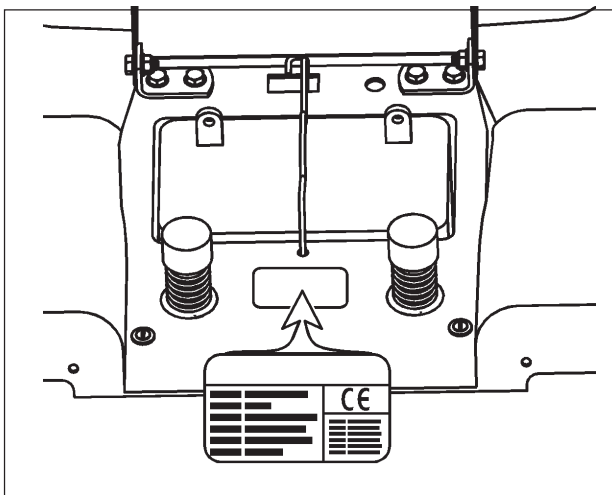


Fig. 1: Identification plate

STEERING WHEEL (FIG. 2)

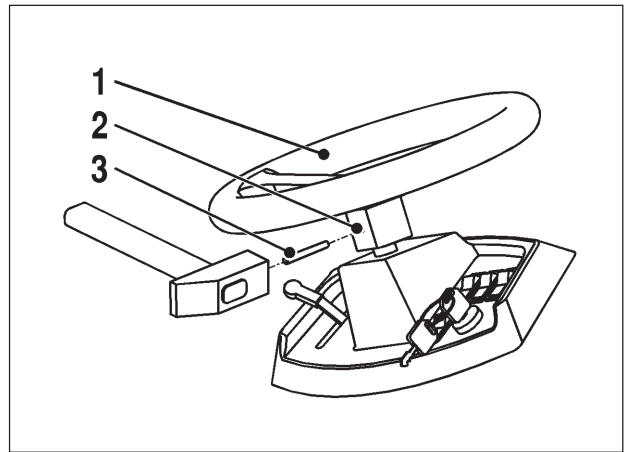


Fig. 2

Proceed to the following steps:

1. Straighten the front wheels.
2. Align the holes of the steering wheel with the hole in the steering shaft.
MAKE SURE THE STEERING WHEEL IS CENTERED AND THE HOLES LINED UP.
3. Insert the lock pin through the holes, and drive it through the holes with a hammer.

SEAT (FIG.3)

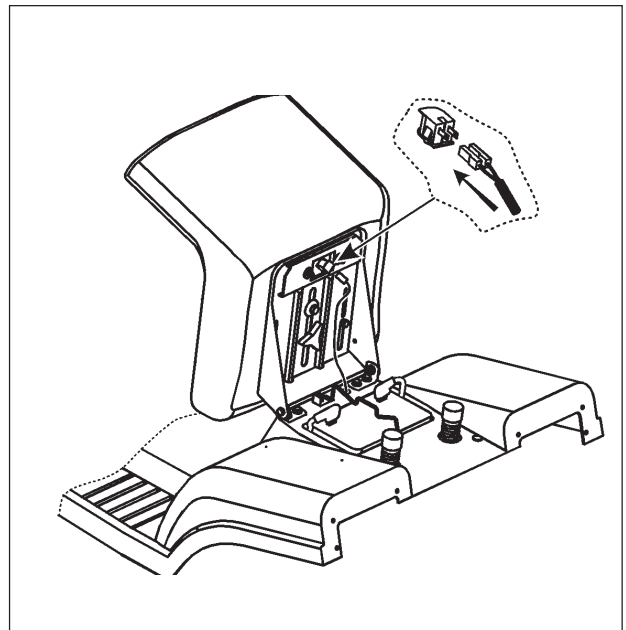


Fig. 3

Proceed to the following steps:

1. Discard the plastic protection from the seat.
2. Loosen both nuts from the seat hinges on the tractor.
3. Place the seat and tighten securely with two bolts, flat and spring washers.
4. Connect the safety switch.

ASSEMBLY

TRAILER HITCH (FIG. 4)

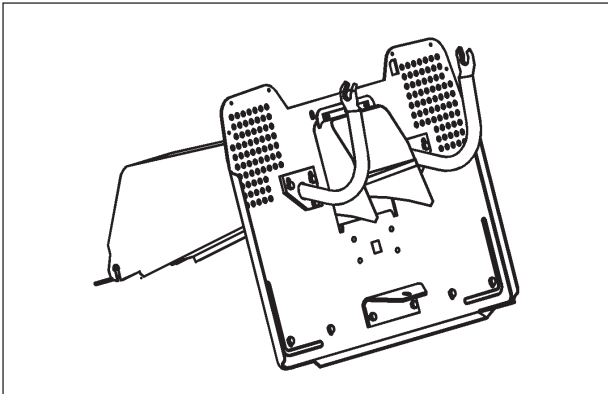


Fig. 4

Proceed to the following steps:

1. Remove two bolts from the grass collector support plate on the rear side of the tractor.
2. Place trailer hitch in place.
3. Replace bolts, washers and nuts. Tighten securely.

GRASS COLLECTOR BAG (FIG. 5)

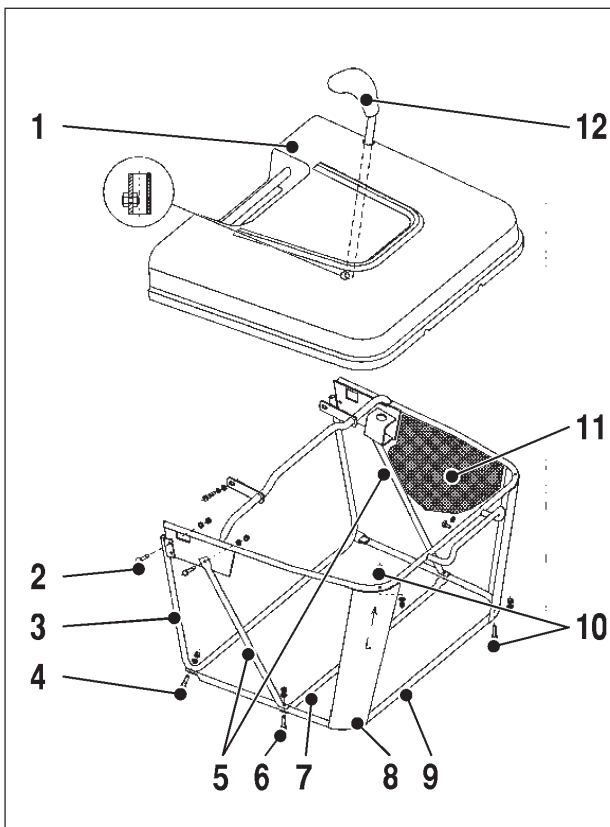


Fig. 5

The grass collector has been pre-assembled. However, to assemble it correctly (to fit the collector cover with tractor fenders). It is recommended to follow the instructions below:

1. Take the pre-assembled basket (item 1) out the box, tilt the front tube (item 3), insert the upper bolts (item 2) and tighten loosely.
2. Put the grass container, prepared in such a way, on the basket supports on the rear part of the tractor and adjust with the fenders. Tighten the bolts (item 2) properly.
3. Stretch the bag (item 3) with your hand and put it on the rear handle, with the inlet hole of the basket upwards. Insert the bottom tube (item 9) into the bag, unscrew the nuts M5 of the bolts (item 10) under the basket cover and insert the corner supports (item 8) under the tubes at the top, screw on the nuts M5 on the bolts (item 10) and (item 4) and tighten, loosely.
4. Tilt the left and right supports (item 5). Put in place the lower brace (item 7) from the outside of the grass collector bag and secure them with screw (item 6) loosely.
5. Place the grass collector, hinge it on the tractor supports and check the fit between the grass collector cover and fenders. With a regard of the loose screws you can adjust the fit between the cover and fenders.
6. If it is not possible, with the help of the method above, to accomplish the correct fit between the tube frame and the tractor rear adjust, move the supports on the tractor by moving them up or down.
7. Remove the grass collector, tighten all screws securely and fix the grass collector bag to the tube frame with plastic clips.
8. Slip the dumping lever (item 12) through the hole of the collector cover and tube frame, secure it with screws M5x 12 and nuts M5 (the nuts are located inside the tube).

NOTE: After assembling check all the screws and nuts for tightening.

ASSEMBLY

PLACING THE GRASS COLLECTOR ON THE TRACTOR (FIG. 6)

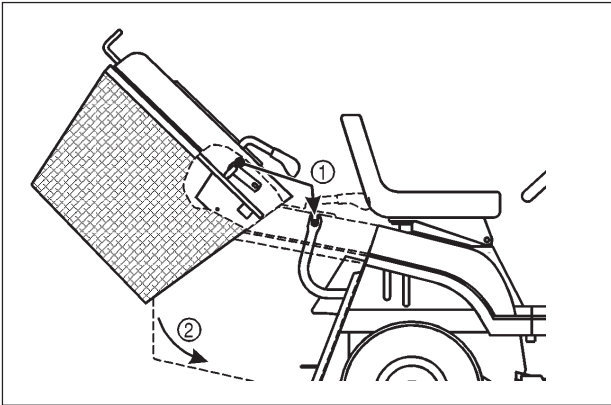


Fig. 6

Proceed to the following steps:

1. Lift the grass collector assembly with both hands. Slant it to an angle of approximately 40° (fig. 6).
2. Slide the grass collector on the two support brackets located on the rear of the tractor.
3. When the grass collector is properly positioned, place the decal with the triangle symbol directly opposite to the symbol on the rear of the tractor. This will assist alignment in the future (Fig. 7).

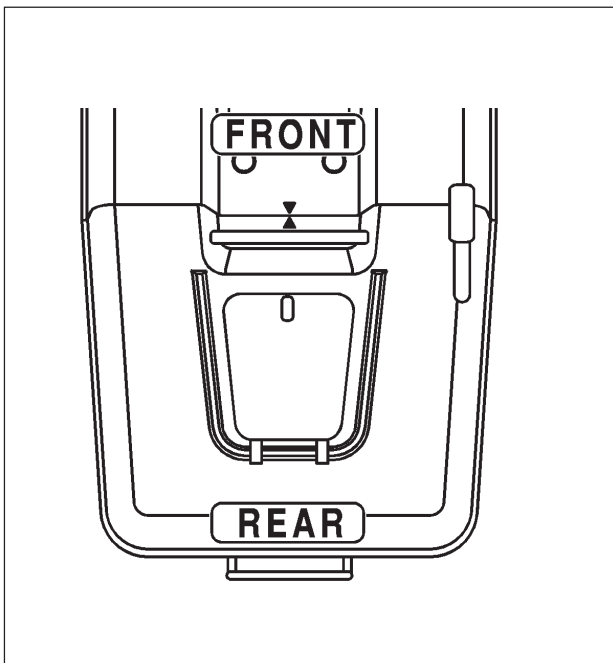


Fig. 7



This tractor is equipped with a safety micro-switch and the cutting system will not function when the grass collector assembly is not in place. Do not tamper with this micro-switch.

PREPARATION BEFORE THE FIRST OPERATION

The tractor is shipped without gas, oil and electrolyte in the battery, for safety reasons.



DANGER



Lead acid batteries generate explosive gases. Keep sparks, flame, and smoking materials away from batteries. Always wear eye protection when around batteries.

BATTERY PREPARATION

Battery provides maintenance free performance. Flush cover battery is completely leakproof and spillproof when tipped to a 45 degree angle, so you do not have to worry about electrolyte leakage when performing routine maintenance.

The battery is placed under the seat, and can be accessed by tilting the seat in the upright position (Fig. 8).

NOTE: The battery is shipped with electrolyte!

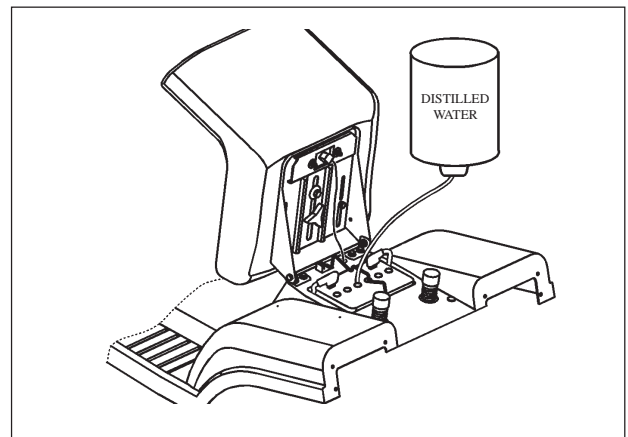


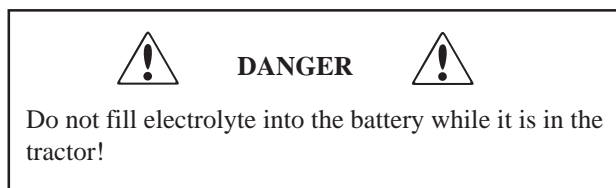
Fig. 8

ASSEMBLY

CHECK THE BATTERY

If it is necessary proceed to the following steps:

1. Remove the battery from the tractor.
3. Charge the battery at a rate of 6 amps for 1 hour. Use a 12-volt battery charger. Observe all precautions required for battery charging. Complete the assembly of your unit while waiting for battery to charge.
4. Check battery case for leakage to make sure that no damage has occurred while handling.
5. Reinstall the battery and secure it with the spring lever (see fig. 8).



TO SERVICE THE ENGINE

NOTE: The engine is shipped with oil. Fill crankcase with only 15W30 Oil. Do not overfill or it causes serious damage to the engine.

Before starting the engine, read carefully the engine manual.

GAS FILLING

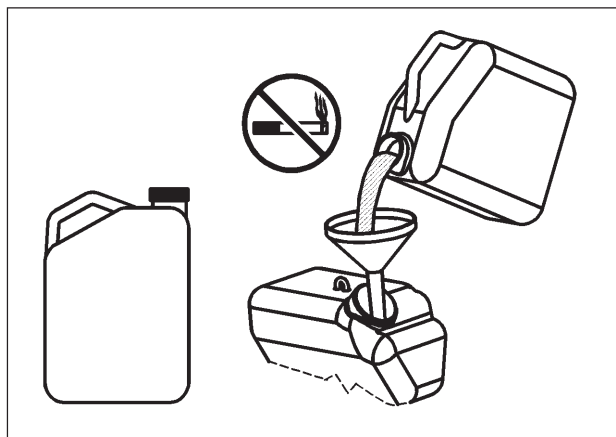
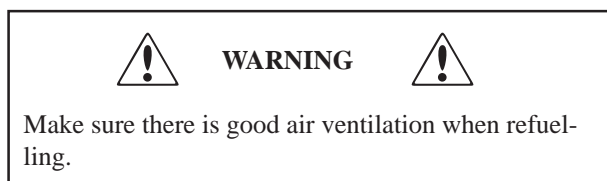


Fig. 9

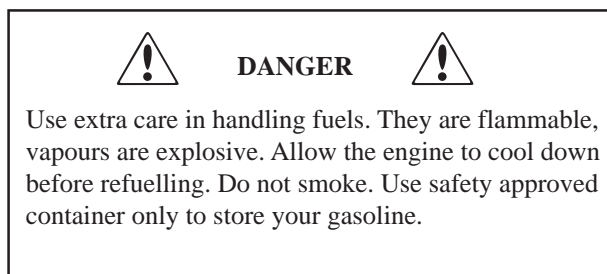
Use only regular unleaded gasoline. The recommended lowest octane level is 95. If the engine runs on petrol with a lower octane level than 95, an effect known as knocking can arise. This leads to arise in the level of the engine temperature and can cause engine failure.

REFUELLING



1. Stop the engine and let it cool down.
2. Open the petrol cap slowly in order to release any possible high pressure.
3. Tighten the petrol cap carefully after refuelling.
4. Dry around the area of the petrol cap. Clean the fuel tank regularly. Impurities in the tank can cause running problems.

For refuelling, use approved container with funnel. Do not overfill the tank, which contains approx. 7.7 litre.



In the operator's manual for the engine, you will find fuel and oil recommendations.

TYRES

Proceed to the following steps:

1. Check the tyres pressure: 100 kPa (1 BAR) for the front wheels; 70 kPa (0.7 BAR) for the rear wheels.
2. Adjust pressure up or down if necessary.

NOTE: The tyre pressure is important for an even cut.

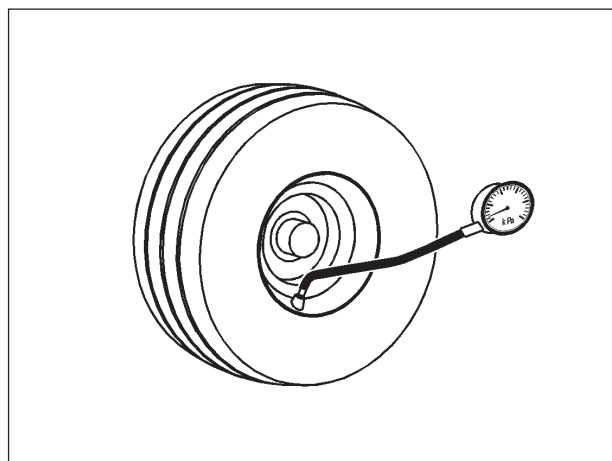


Fig. 10

OPERATION

CONTROLS

1. Dash panel (fig. 11)
 - a. throttle control lever
 - b. ignition switch
 - c. headlight switch
 - d. switch MAN-AUTO, collector fill gauge
 - e. re-engage switch
 - f. ON/OFF switch, cutting system.
2. Steering wheel
3. Choke control
4. Cutting height adjustment lever
- 5a. Forward speed pedal
- 5b. Reverse speed pedal
6. Parking brake lever
7. Brake pedal
8. Transmission disengagement lever

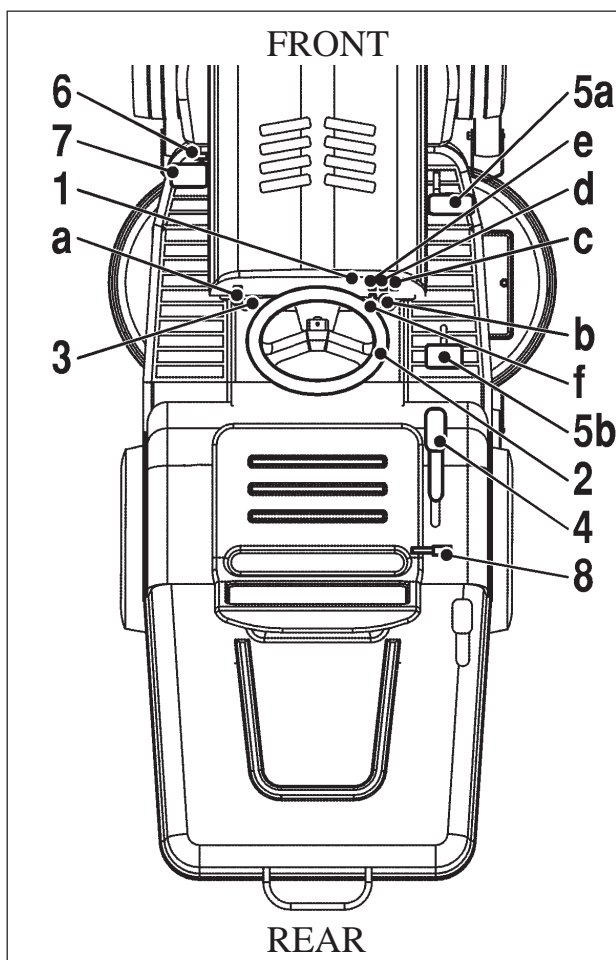


Fig. 11

OPERATION AND DESCRIPTION (FIG. 11)

TOGGLE SWITCH CUTTING SYSTEM (f)

The mower clutch switch is secured in the off position, in order to avoid accidental engagement. To engage, pull up the switch lever, and place it in the ON position; this actuates the cutting system clutch, which drives the blades (fig.16).

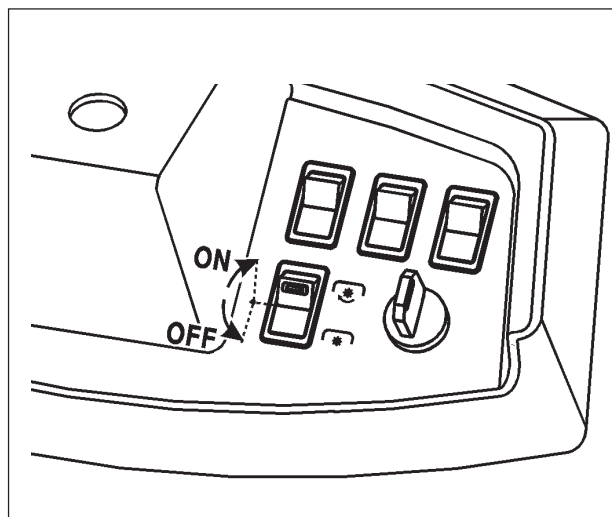


Fig. 16

MAN/AUTO SWITCH (d)

When in AUTO position, the automatic control of the grass collector filling is set. When the collector is full with grass clippings, the cutting system drive stops.

If it is the MAN position, then the overflow switch is disabled and the collector tunnel could severely clog.

RE-ENGAGE SWITCH (e)

This switch should be pressed to re-activate the MAN/AUTO switch, after the grass collector is emptied.

SEAT ADJUSTMENT (FIG. 12)

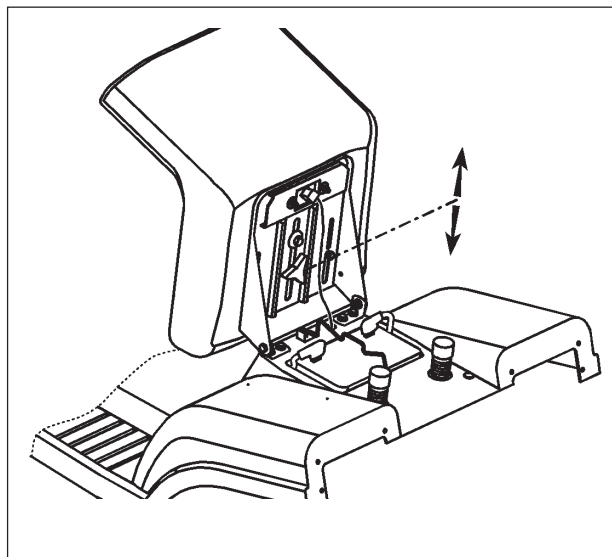




Fig. 12

In order to adjust the seat, proceed to the following steps:

1. loosen the thumb screw.
2. move the seat forward or backward to the desired position.
3. tighten thumb screw securely.

OPERATION

TO START THE ENGINE


DANGER


Never run the engine indoors, or in enclosed or poorly ventilated areas. Engine exhaust contains carbon monoxide.

To start the engine, proceed as follows:

1. Open the fuel valve. The handle should point down as shown in the fig.13.

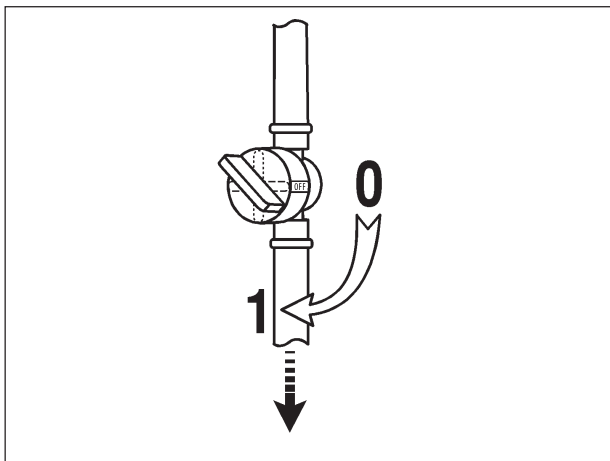


Fig. 13

2. Take a comfortable riding position on the seat. The safety switch is connected.

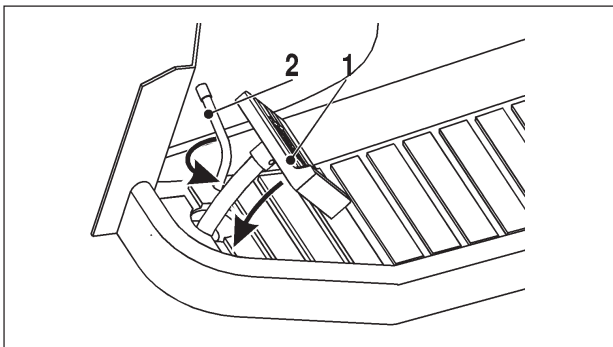


Fig. 14

3. Depress fully, and hold the brake pedal (fig. 14, pos 1).

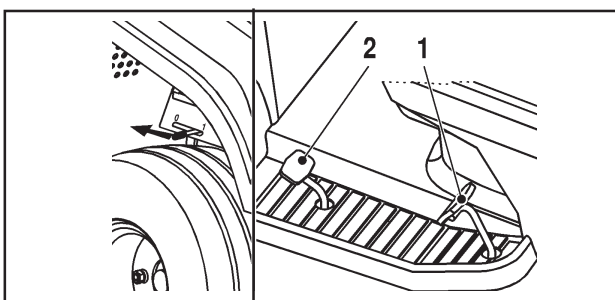


Fig. 15

4. Place the throttle lever at the "turtle" symbol. Pull the choke control out.
5. Place the toggle switch "cutting system" to OFF position. Fig. 16, pos. OFF
6. Turn the ignition key to START position (Fig. 18) release it immediately when the engine has started (Fig. 18). Continuous cranking of more than 15 seconds per minute can cause the starter to overheat. Allow the starter to cool down two minutes after cranking of more than 15 seconds.
7. After starting the engine slide the choke control to slow position and set the engine speed by the throttle lever (Fig. 17).

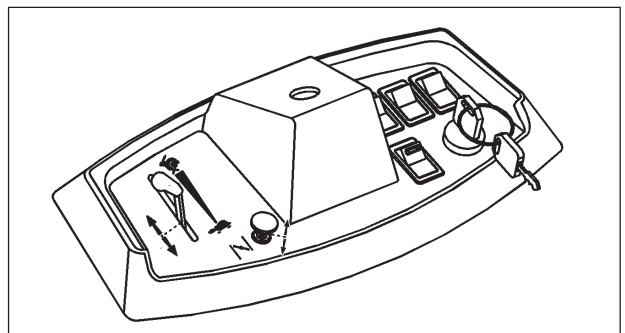


Fig. 17

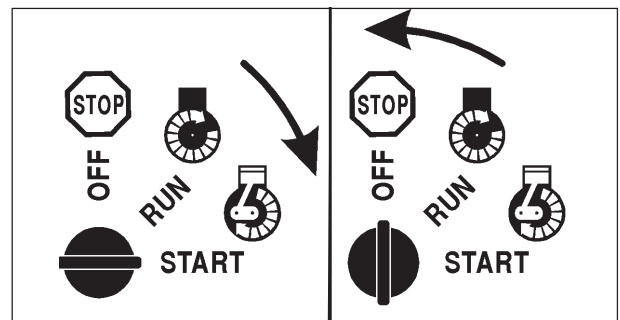






Fig. 18


DANGER


When you want to start the engine, be sure that:

- the brake pedal is depressed
- the mower clutch lever is in disengaged position
- the grass collector is properly in place


DANGER


Never run the engine indoors, or in enclosed or poorly ventilated areas. Engine exhaust contains carbon monoxide.
Keep feet, hands and clothes away from the engine.
The temperature of the muffler may exceed 80°C.

OPERATION

IMPORTANT

Move the throttle to slow position before turning ignition off, in order to reduce muffler pop. Failure to do so will result in engine and exhaust damages.



WARNING



While riding backwards, watch out behind.
Do not have your mower engaged!



WARNING



The mower deck must be in the highest position, when you drive the tractor in transport mode off the lawn. If not, damages will be caused to the blades.

RIDING THE TRACTOR

The tractor is equipped with a hydrostatic transmission. It means that the forward and reverse speed can be achieved with the use of the pedals (Fig. 15). The more depressed the pedals are, the faster the tractor moves. The tractor moves forward and reverse at the same speed.



WARNING



In case the tractor must be pushed, the transmission disengagement bypass lever must be put in the forward position.

BRAKE (FIG. 14)

When the pedal is fully depressed, the brake is applied. Then, place the throttle lever at the "turtle" idle position (fig. 17).

The parking brake lever is used to lock the brake pedal in brake position (fig. 14; pos. 2).

REVERSE GEAR (FIG. 15)



CAUTION



Come to a full stop before changing direction of motion.

Depress slowly the reverse movement pedal (Fig. 15, pos. 2).

LAWN CUTTING

IMPORTANT

- Clear the area of any objects, such as toys, wires, branches, etc.
- Do not wear loose clothes, which could be caught in moving parts.
- Always wear substantial footwear.
- Keep out children and animals, while riding.
- Keep hands and feet away from the mower deck.
- Never carry passengers.

Be sure the cutting system clutch is disengaged and is in the OFF position before starting engine (fig. 16).

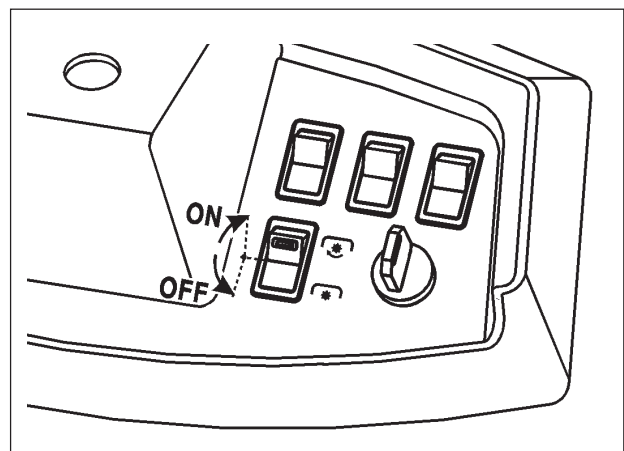


Fig. 16

BLADES CHECK

Check the cutting blades periodically.

If dull, you will not get a nice event cut.

You must replace or sharpen the blades.

After sharpening, you must balance the blades before re-installation.

CUTTING HEIGHT ADJUSTMENT (FIG.19)

The cutting height lever is located on the right side of fender.

The bottom position of the lever is the lowest cutting height, and vice versa.

OPERATION

IMPORTANT

In T-position the cutting system will STOP automatically and it will stay in the STOP status even when the cutting height lever is lowered down again. For the continuing- of the cutting you must push the re-engage button (See Fig. 11, item 1. e).

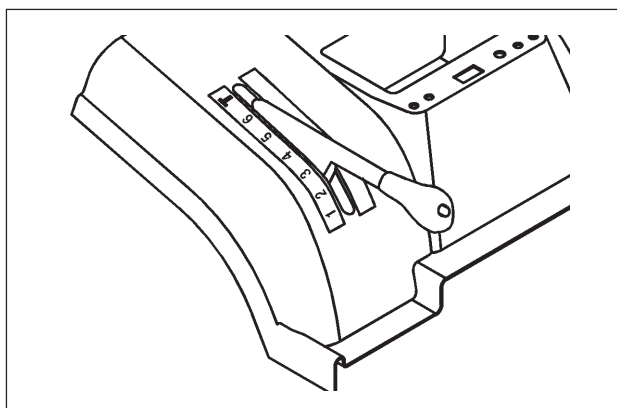


Fig. 19

MOWER DECK GAUGE WHEELS (FIG. 20)

The mower deck gauge wheels must always be in the lower position. Refer to fig. 20.

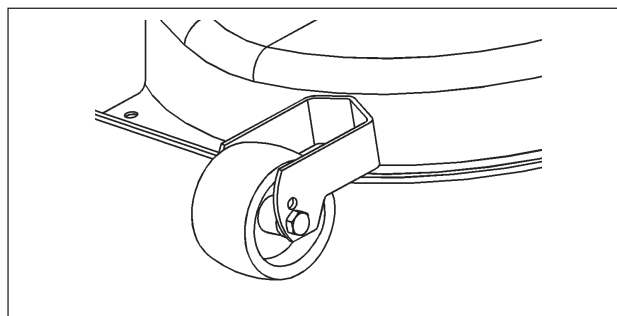


Fig. 20

IMPORTANT

Before starting cutting grass, take care of the proper positioning of the grass collector.

RIDING AND MOWING

Proceed with the following steps:

1. Start engine and drive tractor to the lawn.
2. When on the lawn, engage mower clutch with toggle switch (fig. 16).
3. Switch the MAN/AUTO button to the lower AUTO position (fig. 11, d).

4. Depress slowly the forward movement pedal to reach the desired speed.

IMPORTANT

While starting the blades, keep the throttle in the middle position, to save the belt and clutch from premature wear and possible damage.

SPEED RANGES

The slowest speed is used for mowing on slopes or mowing high wet grass.

The lower the grass is, the higher the speed should be.

When tractor is used for transport (not cutting). Depress the forward movement pedal for maximum speed.

ALWAYS: In case of any obstacles, immediately disengage the blades and lift the mower deck to the highest level.

IMPORTANT

As soon as the blades strike any solid object the shear bolts will break. Immediately stop the engine! Check the blades! Replace the broken shear bolts only with factory originals. Check to make sure that all blade mounting bolts are tightened.

MOWING HINTS

1. We advise mowing the lawn in a longitudinal and cross direction, overlapping previous cut, which allows the lifting action of the blades into the cutting path.
2. Forward speed of the lawn tractor must be controlled in accordance with the type and quantity of grass being mowed.

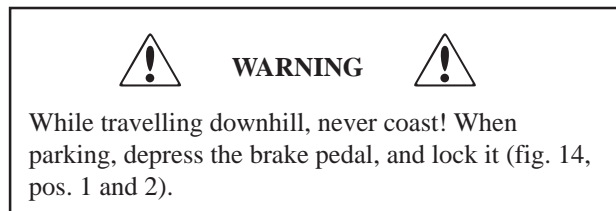
IMPORTANT

The more grass that must be cut, the slower the forward speed should be.

OPERATION

SLOPE OPERATION

- All slopes need extra caution.
- Do not cut grass, when slope is more than 10° (17%).
- Mow slopes, riding up and down, never across.
- Avoid sudden changes in direction.
- Remove obstacles such as rocks, tree limbs, ruts, etc.



COLLECTOR DISCHARGING (FIG. 21)

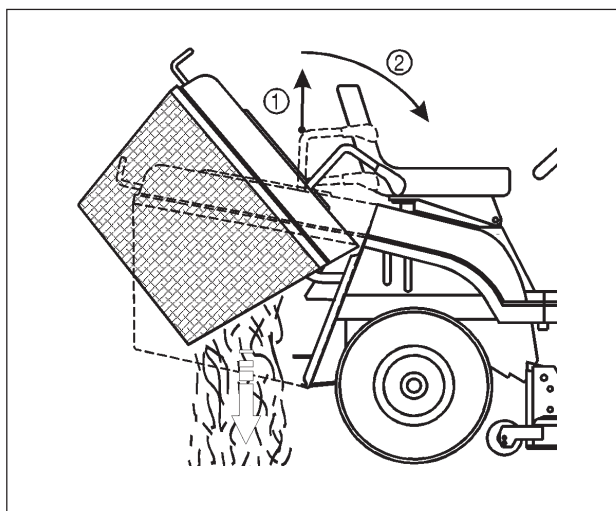


Fig. 21

In order to avoid clogging the grass collector, we suggest to keep the MAN/AUTO switch in the AUTO position. A micro switch controls this process and, when the grass collector is full, it declutches the blades and the button light comes on. Then, reduce the engine speed to idle, pull out the telescopic dumping lever all the way and push it down to empty the grass collector, then, slowly release the lever upwards to allow the grass collector to close. Push the RESET switch. Then, you can continue to mow.

TUNNEL CLEANING

The cutting system will shut OFF automatically when the rear collector bag is full. If the automatic shut OFF does not work, then the tunnel air flow vent is plugged. Remove any debris that is trapped in the area of the microswitch..

HEADLIGHT SWITCH

Lights are switched on with the switch (fig. 11, c) if the key is on position (fig. 18).

SAFETY CONDITIONS

Remember your tractor is equipped with a seat switch; this means that when you leave the seat, the engine stops.

The mower blades stop when the grass collector is full of grass.

The engine cannot start when:

- a. the seat is not weighted with a driver
- b. the break pedal is not fully depressed (Fig 14)
- c. the cutting switch is in ON position (Fig 16)

STORAGE

After cutting is finished, lift the mower deck to the highest position, and stop the cutting system drive. Turn off the ignition switch, depress the brake-clutch pedal and lock it with the parking brake. Close the fuel valve.

IMPORTANT

Always remove the ignition key, before storing. When storing the tractor for longer periods of time disconnect the battery.

TOWING

The tractor is equipped for towing attachments in the lower rear part of the tractor.

The maximum weight for the attachment is 150 Kg.

MAINTENANCE

CLEANING



WARNING



Before cleaning, washing, servicing or repairing, remove the ignition key!
Always wear substantial steel toe foot wear, gloves and work clothes.
Be aware of any spilled fuel, oil or other contaminating substances.

After each cut, remove dirt and debris from the machine surface, the discharge tunnel and the grass collector.

WASHING (FIG. 22)

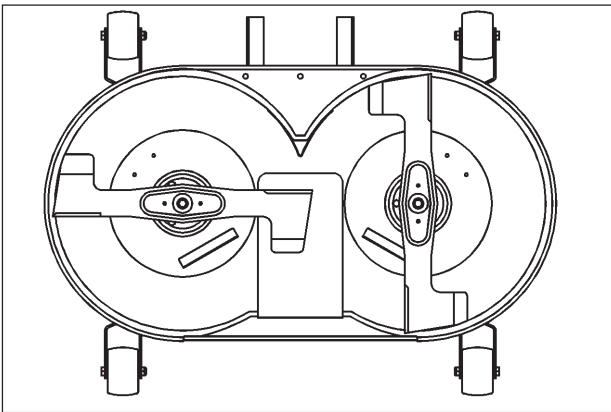


Fig. 22

Proceed with the following:

1. Wash the tractor on a levelled surface, with the grass collector mounted on.
2. Wash the inside of the mower deck, and the discharge tunnel (engine off).
3. Dismount the grass collector, wash it, and leave it off to let it dry.
4. Clean the plastic parts of the tractor with a sponge and soap water.

IMPORTANT

Avoid water directly near the switches, the dash or any electrical part.



BE CAREFUL



To clean the tractor never use high pressure washing machines, or aggressive detergents.

ENGINE OPERATION

Follow the instruction described in the engine operator's manual, for operation, service (air filter, fuel filter, oil change, spark plugs, etc.)

CRANKCASE OIL CHANGE

Crankcase oil should be changed after the first 5 hours of operation.

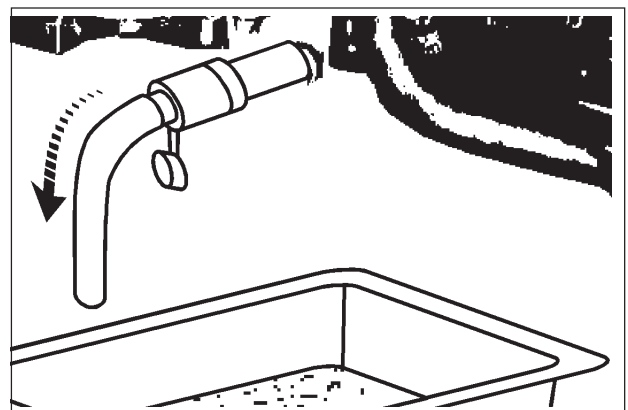
IMPORTANT

See engine operating and maintenance manual for proper procedure.

Your tractor is equipped with an oil drain plug.

1. Place a flat bottom 2 litres container beneath the oil valve.
Note: It may be necessary to raise the left side of the tractor (with blocks under left wheels) to get proper drainage.
2. Turn the oil valve counterclockwise, and pull to drain oil.
Note: The oil fill cap should be loosened to serve as an air vent.
3. To close oil drain valve, push and turn clockwise.
4. Fill with grade SAE 30 or SAE 10W/30W oil.
5. Reinstall the oil cap.
6. Check that the crankcase oil is at the correct level on the oil dip stick.

The warranty on this lawn tractor does not cover items that have been subjected to operator abuse or negligence. To receive full value from the warranty, operator must maintain lawn tractor as instructed in this manual. The following maintenance check list is supplied to assist operator to properly maintain lawn tractor. This is a check list only. Adjustments referred to will be found in the Adjustment section of this manual.



MAINTENANCE

	MAINTENANCE CHECKLIST												
BEFORE STORAGE													
BEGINNING EACH SEASON													
EVERY 100 HOURS													
EVERY 50 HOURS													
EVERY 25 HOURS													
MONTHLY													
FREQUENTLY													
AFTER FIRST 20 HOURS													
AFTER FIRST 5 HOURS													
AFTER FIRST 2 HOURS													
BEFORE EACH USE													
Check engine oil level	●	●											
Change engine oil			●		●	1,2							
Change spark plug								●	●				
Replace air filter paper cartridge								●	1,2				
Clean air screen					●	2							
Inspect muffler/spark arrester							●						
Replace fuel filter									●				
Check battery fluid level/recharge						●			●				
Clean battery and terminals						●							
Check brake operation	●			●									
Check transmission cooling					●								
Check tire pressure (Fr: 1 bar; Rr: 0,7 bar)	●		●						●				
Sharpen or replace mower blades					●	3							
Check for loose fasteners	●									●			
Clean lawn tractor			●							●			
Disconnect battery cables										●			
See lubrication chart		●			●					●			
Adjust mower deck drive cog belt		●				●							

SERVICE RECORD
FILL IN DATES
AS YOU COMPLETE
REGULAR SERVICE

NOTES: 1. Change more often when operating under a heavy load or in high temperatures (35°C and above). 2. Service more often when operating in dirty or dusty conditions. 3. Replace more often when mowing in sandy soil.

TO BLOCK UP THE TRACTOR

When the tractor is to be blocked up, use a jack lift it on support stands. Block up the tractor as follows:

1. Place a jack under the rear axle transmission and lift the rear end of the tractor.
2. Place two stands under the rear axle, one stand at the inner side of each rear wheel.
3. Lift the front end and place two stands under the front axle beam, one stand at the inner side of each wheel spindle.

CAUTION

At no time during maintenance or adjustment, the tractor can be lifted more than 50 cm from level position, without taking the following precautions:

1. Remove fuel from the tank and run the engine until the carburettor is dry.
2. Remove battery (See Battery removal paragraph in the Maintenance section).
3. Remove oil from crankcase.

LUBRICATION

For lubrication frequency see Maintenance check list. For lubrication points and type of lubricant, see Lubrication chart. The transmission has been lubricated for life.

ENGINE MAINTENANCE

See Engine operating and maintenance manual for maintenance instructions.

MAINTENANCE

LUBRICATION (FIG 23)

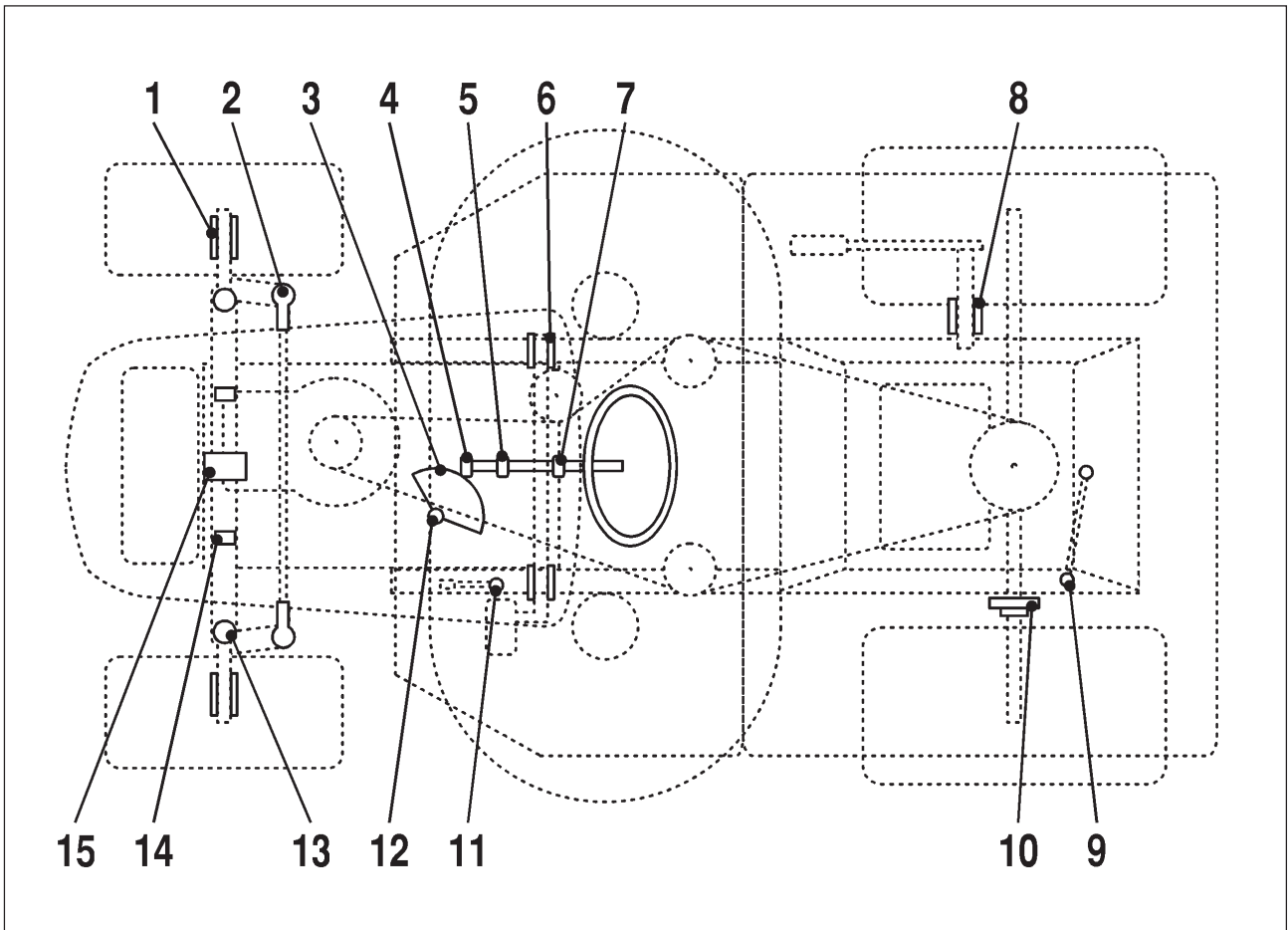


Fig. 23

LUBRICATION LIST

Item	Name	Number	Term-hours	Lubricant
1	Front wheel - grease fitting	2	25	Grease
2	Steering ball-joints	4	50	Oil
3	Steering sector gear	1	50	Grease
4	Steering pinion gear	1	25	Grease
5	Steering shaft bearing	1	50	Oil
6	Steering shaft bearing	1	50	Oil
7	Movement lever - grease fitting	1	50	Oil
8	Shaft hub for lifting the mower deck	1	50	Oil
9	Moving ling ball-joints	4	50	Oil
10	Brake pedal hub	2	50	Grease
11	Parking brake ring	1	50	Oil
12	Steering bearing	1	25	Grease
13	Left & Right spindle - grease fitting	2	25	Grease
14	Mowed deck hinged pin	6	when dismantled	Grease
15	Front axle pivot pin + grease fitting	2+1	when dismantled +50	Grease
16	Diagonal shaft - grease fitting	2	25	Grease

MAINTENANCE

The bearings in idler pulley and retainer pulleys are life time lubricated. Gear box is filled with oil.



Lead acid batteries generate explosive gases. Keep sparks, flame and smoking materials away from battery. Always wear eye protection when around batteries.

BATTERY MAINTENANCE (FIG. 24)

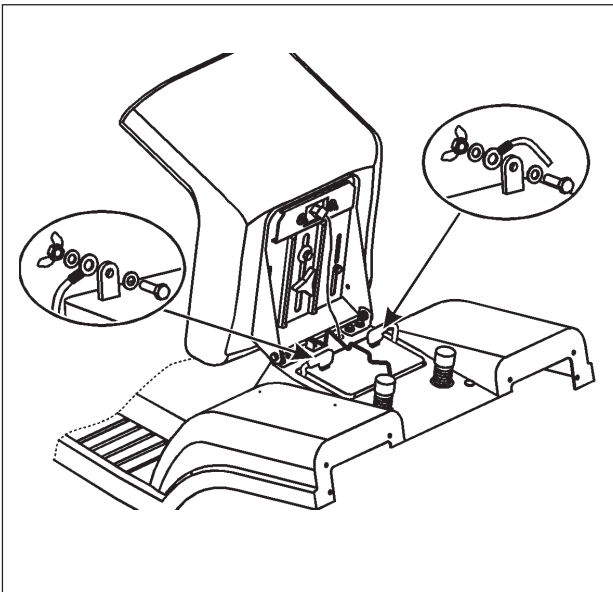


Fig. 24

When starter operates properly and battery connections are clean and tight, but cranking difficulty is experienced, battery may not be charged. Battery should be taken to a qualified service station and tested, or charge the battery with battery charger (See page 7)

If engine will not start right away under normal cranking speed, continued cranking will run down the battery and may cause damage to the starter. Check ignition and fuel systems and correct any faults.

The battery should be kept clean.

If the top has an accumulation of dirt or grease, remove the battery from lawn tractor for cleaning. The battery should be cleaned with a mild solution of baking soda and water. Brush this on, keeping vent plugs tightly in place to prevent any solution from entering cells.

Allow the solution to work for a few minutes, then rinse with clean water and wipe battery dry.

If battery terminals are corroded, clean with a wire brush and coat terminals with petroleum jelly.



Be sure to reinstall battery in the same position and properly reconnect battery cables (red to positive, black to negative).

Proper care will lengthen battery life. When replacement becomes necessary, use battery of same size and type for continued trouble-free service (see Repair parts manual).



Always disconnect negative (black) cable first. Removing positive cable first can result in sparks if the wrench touches any metal surface. Be sure battery hold-down bracket does not touch battery terminals and causes a spark.



Always connect positive (red) cable first. Connecting negative cable first can result in sparks if the wrench touches any metal surface. Be sure battery hold-down bracket does not touch battery terminals and causes a spark.

SPARK PLUG MAINTENANCE

Spark plug should be checked periodically for excessive carbon and gap. Use a wire feeler gauge to check spark plug gap and set 0,7 mm (see Engine operating and maintenance manual).

AIR FILTER MAINTENANCE

Air filter should be cleaned and/or replaced every 25 hours of operation under normal conditions; more often under dusty conditions. To clean air filter see Engine operating and maintenance manual.

HEADLIGHT BULB REPLACEMENT (FIG. 25 AND 26)

Lift the hood up. The headlight bulbs are secured in the sleeve with bayonet sockets.

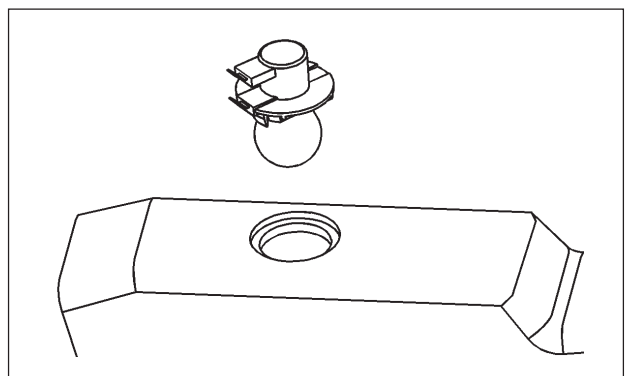


Fig. 25

MAINTENANCE

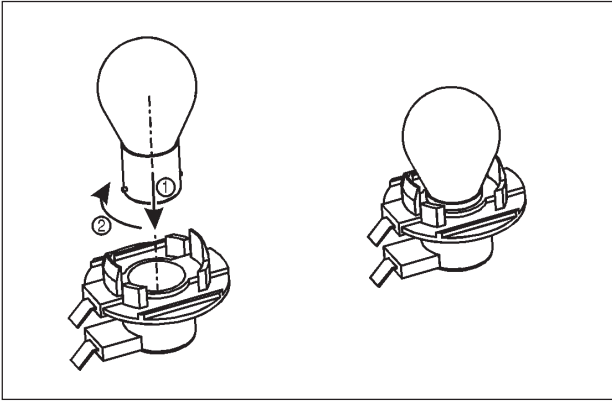


Fig. 26

FUSE EXCHANGE

The fuse box is placed under the dash.

Proceed as follows:

1. Lift the hood up.
2. Pick out the fuse and replace it by another one of the same value (15A).

If it is still impossible to start the engine, call your service dealer.

WHEEL EXCHANGE (FIG. 27)

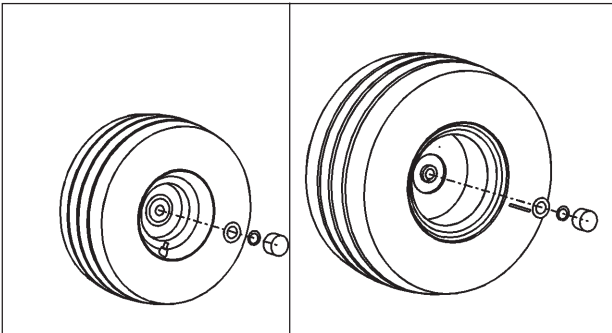


Fig. 27

Proceed as follows:

1. Switch off ignition.
2. Lift up the tractor and place it on stands.
3. Remove plastic cover.
4. Dismount the retaining ring, the flat washer, and remove the wheel. **Note:** For a rear wheel, watch the key and the key groove.

ADJUSTMENTS

TRACTOR BRAKE ADJUSTMENT (FIG. 28)

Your tractor is equipped with a disc brake mounted on the transaxle.

To check the brake operation:

1. Place the tractor on a flat surface, and stop the engine.
2. Place the shift control lever in neutral position.
3. Depress the brake pedal enough to latch the parking brake lever in the engaged position (refer to Fig. 14).
4. If you cannot push the tractor, the brake is adjusted correctly and is functioning.
5. If you can push the tractor, the brake is too loose and should be tightened.

To adjust loose brake:

1. Place the shift control lever in neutral position, and depress the brake pedal to latch the parking brake lever in the engaged position.
2. Turn the brake adjusting nut clockwise until you cannot push the tractor.
3. Check again the tractor brake adjustment, as described above.

To adjust tight brake:

1. Place the shift control lever in neutral position.
2. Turn the brake adjusting nut counterclockwise, until you can push the tractor.
3. Check again the tractor brake adjustment.
While operating the tractor, check the stopping distance. If the tractor requires more than 1 meter to stop at high speed in the highest gear, the brake must be adjusted.

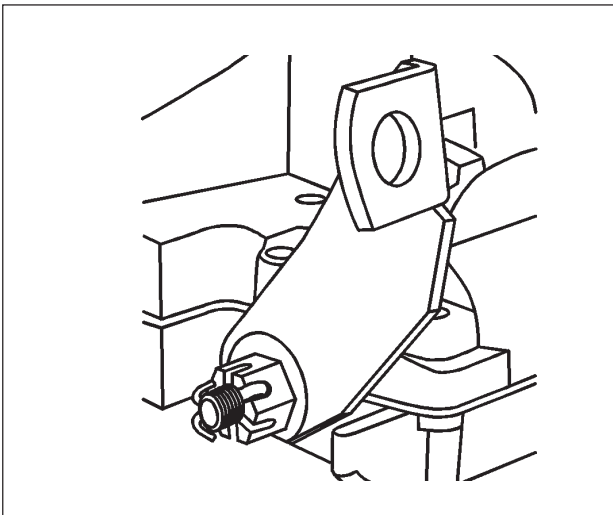


Fig. 28

THE GRASS COLLECTOR OVERLOAD WARNING SYSTEM (ZP 98/1 MODEL)

Important note: This system only works in "AUTO" switch position. (see operations/controls section of manual).

The grass collector capacity has been designed to hold a substantial volume of grass.

The overloading of this intended capacity may result in clogging of the discharge tunnel creating a potentially hazardous condition. As a safety precaution, the tractor is equipped with an overload warning system.

As a result of an accumulation of a predetermined volume of grass clippings an overload protection switch located inside the grass collector will be mechanically activate. The signal from this switch is interpreted by the "SMART CONTROL MODULE" distinguishing between random impulse actuation which are ignored & only accepting signals exceed a minimum of 1 second + to prevent nuisance activation.

An audible warning device "BUZZER" will be activated providing an intermittent "BEEP" for a 3 second duration. The cutting system will be automatically switched off at the end of the "BEEP" cycle indicating that the grass collector must be emptied prior to continuing further.

TEST PROCEDURE TO VERIFY PROPER FUNCTION OF THE OVERLOAD WARNING SYSTEM

Since this system is considered to be an important safety feature, it is recommended that the following test procedure be performed on a regular basis very carefully following all the necessary safety regulations & precautions.

The battery must be fully charged prior to this test. The "AUTO-MAN" switch must be in the "AUTO" position.

Insert the ignition key & start the engine.

Switch on the cutting system.

Manually activate & maintain in this position for the duration of this test the overload protection switch located inside the grass collector.

The audible warning "BUZZER" signal cycle should start after the 1st second.

After a 3 second period both the "BUZZER" & the cutting system will stop operating.

The warning system is in functional order if all of the above steps have been complete as indicated above.

Please consult your local dealer if the test procedure was not completed successfully.

The cutting system can be re-activated after emptying of the grass collector by either one of the following options:

Activate the "RESET" switch or

Turn off & then on again the switch for the cutting system engagement.

ADJUSTMENTS

SERVICING

In the event of system failure, there is a manual position "MAN" switch option which allows for a temporary over-ride of the overload warning system. It is recommended that this be only used as a back-up & only until necessary repairs can be arranged. A temporary by-pass service connector has been included in the original tractor kit & should be installed while the system is being serviced. This service connector will provide a shunt path & will shut-off the cutting system immediately upon receiving a signal from the collector overload switch indicating a full grass collector condition.

IMPORTANT

As soon as the blades strike any solid object the shear bolts will break. Immediately stop the engine! Check the blades! Replace the broken shear bolts only with factory originals. For installation refer to fig. 30. Check to make sure that all blade mounting bolts are tightened.

To remove blades:

1. Remove the mower deck.
2. When replacing the blades, be sure all parts are reassembled in proper order and securely tightened, or severe vibrations will occur (See fig. 30). Bent tip edges of blades must be toward top of the mower deck, or blades will not cut.



IMPORTANT



The right blade has a left hand thread bolt.



DANGER



Do not handle the blades with bare hands. Wear gloves or wrap the blades with newspaper or other material while removing or installing the blades.

3. Reinstall the mower deck.

SHEAR PINS (FIG. 30)

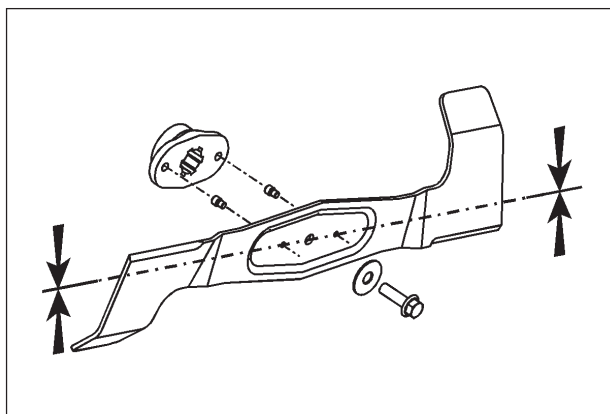


Fig. 30

BLADE SHARPENING

IMPORTANT

Great care should be taken to keep the blades balanced. An unbalanced blade will cause excessive vibrations and eventual damage to the engine or the mower.

1. The blade can be sharpened with a file or on a grinding wheel. Do not attempt to sharpen while on mower.
2. Place the center hole of the blade over the end of a screwdriver, placed horizontally. If the blade is balanced, it should remain in a horizontal position. If either end of the blade moves downward, sharpen the heavy end until the blade is balanced.

DRIVE BELTS ADJUSTMENT (FIG. 31, 32 AND 33)

IMPORTANT

The life time of the belts and their proper operation depends on their right adjustment. After a few hours of operation, they must be inspected and may need adjustment.

The three belts are located beneath the main frame. One belt drives the transaxle. The other one transmits the power from the clutch to the mower deck. The third one drives and synchronizes the two blades together.

ADJUSTMENTS

TRANSMISSION DRIVE BELT (FIG. 31)

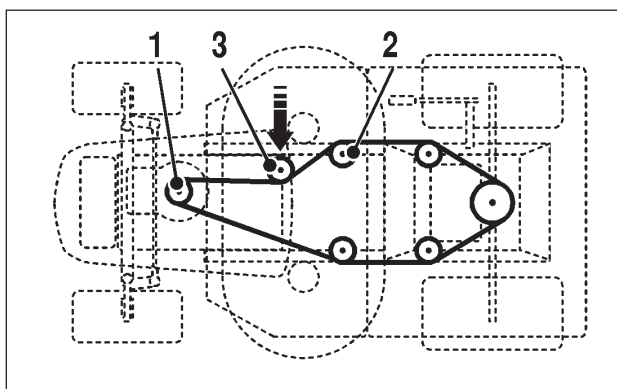


Fig. 31

1. engine pulley
2. pulley
3. idler pulley

Adjust the tension of the belt with the pulley 3.

MOWER CLUTCH BELT (FIG. 32)

The tension of the belt is automatically adjusted with the spring loaded idler pulley.

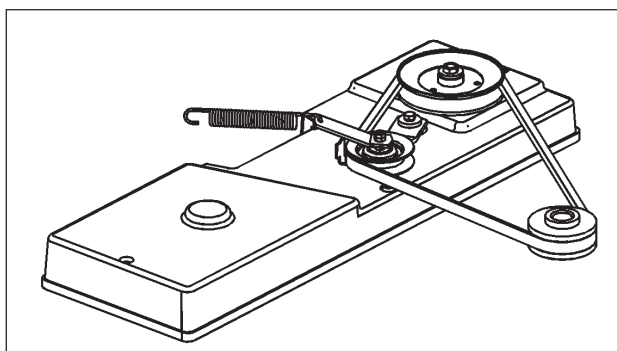


Fig. 32

TRANSMISSION DRIVE BELT (FIG 31)

1. engine pulley
2. pulley
3. idler pulley

Adjust the tension of the belt with the pulley 3.

MOWER CLUTCH BELT (FIG 32)

The tension of the belt is automatically adjusted with the spring loaded idler pulley.

MOWER DECK BELT (FIG. 33)

ADJUST THE MOWER COG BELT

NOTE: It is recommended that the mower cog belt be adjusted after 20 hours of operation as the new belts will stretch slightly during the initial break in period.

A. CUTTING PAN REMOVAL (FIG 41)

1. Lower the cutting pan to the lowest position.
2. Pull idler arm assembly in and remove V belt 17x1400 from pulley.
3. Disconnect the spring from the engagement lever.

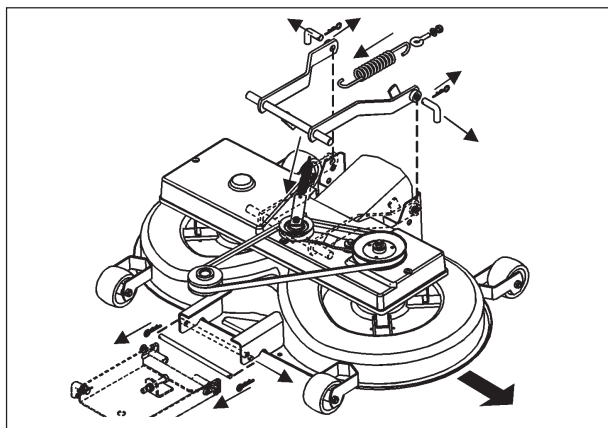


Fig. 41

4. Disconnect the plug connector from the air valve switch in tunnel.
5. Lift tunnel to release the lower part from the two welded pins that connect it to the mower deck assembly.
6. Pull out tunnel rearwards approximately 10 cm. Secure the tunnel to prevent it from falling back down.
7. Remove the hair pin clips from front pin and from the two rear pins.
NOTE: Although it is not necessary, it is recommended to loosen the large spring for safety and to facilitate reinstallation of cutting pan.
8. Pull out rear pin from one side and then use a pair of pliers to pull second rear pin from other side.

CAUTION

If the large spring has not been loosened, the pivot arm assembly will not spring up with force. Do not place hands or fingers above the pivot arm assembly and use pliers when pulling out second rear pin.

9. pull out front pin
10. Remove V-belt from electro magnetic clutch
11. Slide cutting pan out from side of tractor

B. ADJUSTMENT PROCEDURES FOR COG BELT TENSION

1. Remove cutting pan from tractor, follow procedure described in A.
2. Remove V-belt pulley and idler arm assy.
3. Remove plastic belt cover.
4. Loosen the two hex nuts on the cog idler pulley on

ADJUSTMENTS

tension bracket idler.

5. Adjust nut M10 until the specified tension at cog belt is reached. (See Fig 33)
6. Re-tighten the two hex nuts on the cog idler pulley and the belt is now adjusted correctly.
7. To re-install the cutting pan - reverse the procedure.

Note: It is possible but not desirable to adjust the cog belt tension without removing the cutting pan assembly from the tractor. In this case follow step 2 through 8 from the above procedures.

DANGER

This cog belt must be properly adjusted. If not, the blades can contact and the belt will be destroyed and the cutting system will be damaged.

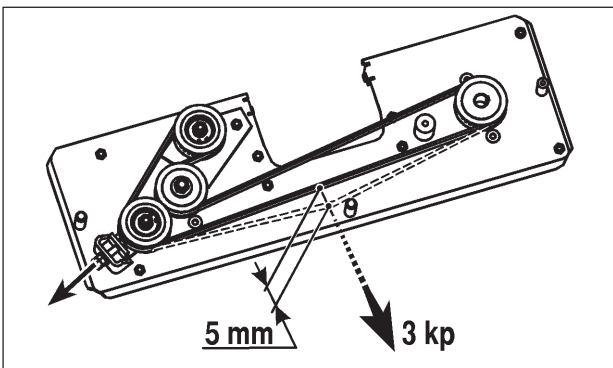


Fig. 33

DANGER

On impact with any hard objects, the blade shear bolts will break and the cog belt will be damaged!
The cog belt *must be inspected*.

Be careful!

The two blades must be positioned 90 degrees to each other.

Replacement:

Use always genuine parts.

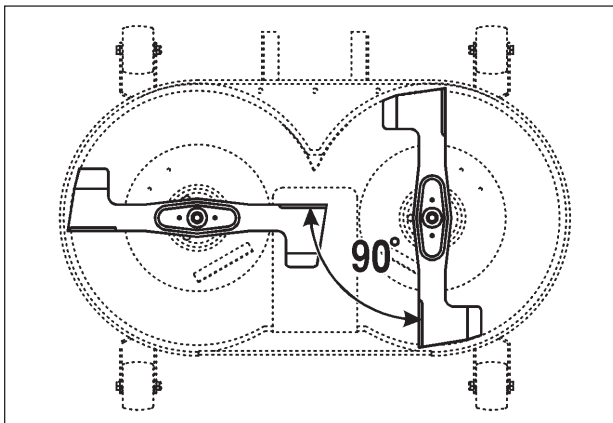


Fig. 34

TORQUE SPECIFICATIONS

Cutting system:

Mower cog belt	See Fig 33
Blade bolt LH	50 Nm
Blade bolt RH	50 Nm
Housing bolts M8x30	32 Nm
Self locking nut M12 (Pulley)	65 Nm
Hexagon socket screw M8x20 (Idler arm)	25 Nm

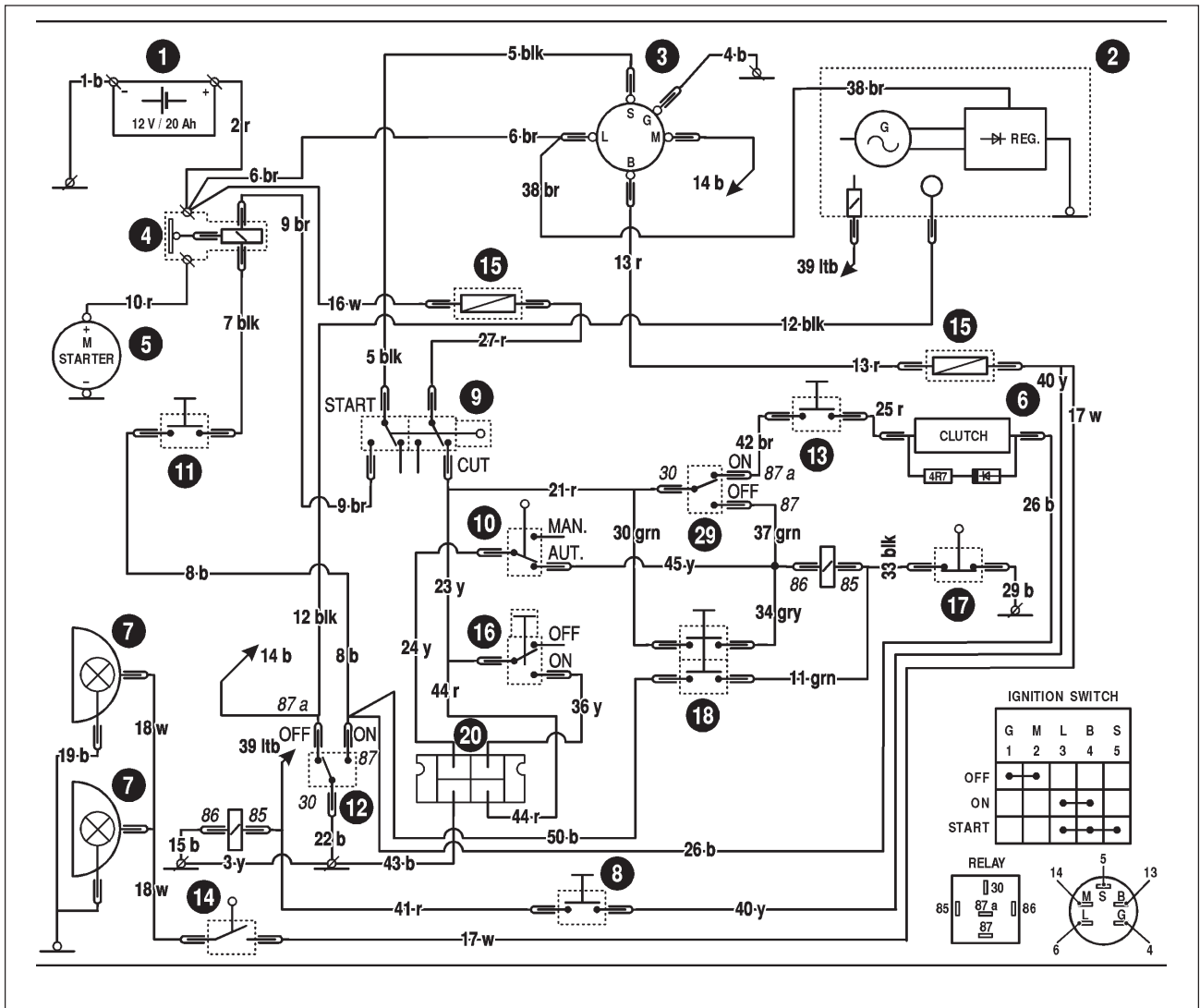
Steering tooth gear fasteners:

Screw M8x30	15 Nm
Lock nut M12	80 Nm

Engine-transmission drive:

Exhaust screws	16 Nm
Crank shaft bolt	108 Nm
Screw M10x55 (Idler pulley-front)	25 Nm

WIRING DIAGRAM



1. Battery
2. Engine
3. Ignition switch
4. Starter relay
5. Starter
6. Magnetic clutch (diode + resistor)
7. Headlights
8. Seat switch
9. START-CUT switch
10. AUTO-MAN switch
11. Brake switch
12. Relay for seat switch
13. Grass collector switch
14. Headlights switch
15. Fuse 15 A and 5A
16. Grass collector tunnel microswitch
17. Re-engage switch
18. T position switch
29. T position relay
20. Buzzer box

COLOR LEGEND OF WIRES:

- B** - BLUE
R - RED
BR - BROWN
W - WHITE
BLK - BLACK
Y - YELLOW
GRN - GREEN
V - VIOLET
GRY - GREY
LTB - LIGHT BLUE

TROUBLESHOOTING GUIDE

PROBLEM	CORRECTION
Mower cuts ragged or uneven	<ol style="list-style-type: none">1. Remove any accumulation of grass clippings from underside of mower deck housing.2. Make sure blades are sharp and in good condition (not bent or incorrectly mounted).3. Check blade mounting screws. Blade screws must be tight.4. Check mower deck leveling adjustment per manual. Adjust if necessary.5. Check blade belt tension per manual. Adjust if necessary.6. Check quill assemblies for damage or wear. Replace if necessary.7. Check for possible damage to mower deck housing. Repair or replace if necessary.
Mower leaves unmowed strip between blades	<ol style="list-style-type: none">1. Mowing a heavy stand of grass or grass with excessive surface moisture could allow mower to leave an unmowed strip.2. Forward speed should be adjusted to mowing conditions by gear selection. Engine should be run at full throttle.3. Make sure blades are sharp and in good condition. Replace if necessary.4. Check blade belt tension. Adjust if necessary.5. Check quill assemblies for damage or wear. Replace if necessary.6. Check for damage to mower deck housing. Repair if necessary.
Mower scalps lawn	<ol style="list-style-type: none">1. Check mower height adjustment setting and readjust if needed. Scalping is more likely on rough or uneven lawns.2. Check for damage to mower deck housing. repair if necessary.3. Check for bent blades or quills assemblies. Replace if necessary.4. Check mower deck leveling adjustment and adjust if necessary.
Mower will not discharge clippings	<ol style="list-style-type: none">1. Remove any accumulation of grass clippings from underside of mower deck housing.2. Wet conditions can cause the discharge funnel and underside of mower deck to become plugged with clippings. Do not mow wet grass.3. Forward speed should be adjusted to mowing conditions by gear selection. Engine should be run at full throttle.4. When mowing long grass make first cutting in high position, then recut at normal cutting height.5. Check drive belt tension per manual. Adjust if necessary.6. If blades have been replaced, make sure they have been properly mounted.
Blade drive belt comes off during use	<ol style="list-style-type: none">1. Blade drive belt may suffer internal damage to cords when it comes off during use. If belt comes off after checking all steps below, replace with a new original equipment belt.2. Check belt tension per manual. Adjust if necessary.3. Check belt guide. Correct clearance is 1,5 mm from belt when blade engage lever is engaged.4. Check mower deck leveling adjustment per manual. Adjust if necessary.5. Check for and remove any foreign objects interfering with belt travel.6. Check all pulleys on mower deck. A bent or split pulley could cause problems. Replace if necessary.7. Check engine drive pulley inner surface. If inner surface is rough or split, pulley should be replaced.8. Check blade engagement idler assembly for wear. Replace necessary parts.
Blade drive belt slips	<ol style="list-style-type: none">1. If grass is too high or wet, belt slippage may occur.2. Check belt for wear or damage. Replace if necessary.3. Check blade belt tension per manual. Adjust if necessary.4. Check blade drive belt tension spring. If spring is stretched or damaged, replace spring.
Blade drive belt wears excessively	<ol style="list-style-type: none">1. Check all belt guides. Correct clearance is 1,5 mm from belt when blade engage level is engaged.2. Check for and remove any foreign objects interfering with belt travel.3. Check pulleys for damage. Replace if necessary.4. Make sure blade brake is clearing belt when mower clutch lever is engaged. Adjust or replace if necessary.5. Make sure mower deck leveling adjustment is correct. Adjust when necessary.6. Check blade belt tension per manual. Adjust if necessary.
Blades will not engage	<ol style="list-style-type: none">1. Check belt. If worn or broken, replace. If belt is too loose, make belt adjustment.2. Check engagement spring on deck engagement idler. If broken or damaged, replace.3. Check for and remove any foreign objects interfering with engagement idler travel.

TROUBLESHOOTING GUIDE

PROBLEM	CORRECTION
Extreme vibration occurs when blade is engaged	<ol style="list-style-type: none">1. Check blades and make sure they are not bent, out of balance or loose. Replace if necessary.2. Check belt for burn spots or irregularities that might cause vibrations. Replace if necessary.3. Check quill assemblies for damage or wear. Replace if necessary.4. Check for worn or damaged blade engagement parts. Repair or replace if necessary.5. Check engine drive pulley inner surface. If inner surface is rough or split, pulley should be replaced.6. Check under side of mower deck housing for accumulation of clippings. Remove accumulated clippings.7. Check for loose or damaged engine mounts. Tighten or replace as necessary.8. Check blade belt tension per manual. Adjust if necessary.
Unit drive belt slips	<ol style="list-style-type: none">1. Check unit drive belt adjustment. Adjust if necessary.2. Check for damaged or broken clutching idler spring. Replace if necessary.3. Check belt for wear or damage. Replace if necessary.4. Check for and remove any foreign objects obstructing clutching idler mechanism.5. Check for split engine or transmission pulley. Replace if necessary.6. On Shift-on-the-Go units, check for proper free play in cable adjustment.
Mower scalps lawn	<ol style="list-style-type: none">1. Check mower height adjustment setting and readjust if needed. Scalping is more likely on rough or uneven lawns.2. Check for damage to mower deck housing; repair if necessary.3. Check for bent blades or quill assemblies. Replace if necessary.4. Check mower deck levelling adjustment and adjust it if necessary.
Unit drive belt squeals when brake is applied	<ol style="list-style-type: none">1. Check lawn tractor drive belt adjustment and lawn tractor brake adjustment per manual. Adjust if necessary.2. Check for and remove any foreign objects obstructing clutching idler mechanism.
Unit drive belt comes off during use	<ol style="list-style-type: none">1. Check belt tension. Adjust if necessary.2. Check belt guides. Adjust if necessary.3. Check for split or damaged pulleys. Replace if necessary.4. Check clutching idler pulley alignment. If out of alignment, idler bracket may be bent. Replace if necessary.
Unit will not propel itself when clutch is engaged	<ol style="list-style-type: none">1. See steps 1 through 5 in Unit drive belt slips section of this chart.2. Check engine, transmission or transaxle pulley for sheared or missing key. Replace if necessary.3. Check transaxle to make sure it is operable.
Extreme vibration occurs when clutch is engaged	<ol style="list-style-type: none">1. Check for split or damaged pulley. Replace if necessary.2. Check belt for irregularities or burned spots. Replace if necessary.3. Make sure belt tension is correct. Adjust if necessary.4. Check clutching idler assembly for wear or damage. Replace parts if necessary.
Unit will not shift or shifts hard	<ol style="list-style-type: none">1. Check shifting procedure.2. Check lawn tractor drive belt adjustment and lawn tractor brake adjustment per manual. Adjust if necessary.3. Have transaxle checked by an authorized service dealer.
Steering slips or is loose	<ol style="list-style-type: none">1. Check for steering sector gear and pinion looseness. If gears are loose, make sector gear adjustment.2. Check ball joints for wear. Replace if necessary.
Engine will not turn over	<ol style="list-style-type: none">1. Check starting procedure. Make sure starting instructions are followed.2. Check fuse.3. Check battery for charge. Make sure battery has been activated and charged.4. On new units, remove spark plug and check cylinder for accumulation of oil due to improper handling.5. Make visual check of electrical system to make sure all connections and lockout switches are secure.6. Check engine according to engine manufacturer's instructions.7. Have electrical system checked by an authorized service dealer.
Engine turns over but will not start	<ol style="list-style-type: none">1. Check starting procedure. Make sure starting instructions are followed.2. Make sure fuel tank is filled with clean, fresh fuel.3. Make sure fuel shut-off is open.4. Make sure that throttle is in start or fast position.5. Check engine according to engine manufacturer's instructions.6. Have wiring and lockout switches checked by an authorized service dealer.7. Check fuel filter for obstructions.8. Check for choke usage.
Blocked discharge funnel	<ol style="list-style-type: none">1. Take away the grass collector, and clean the discharge tunnel.

STORAGE

The tractor should be immediately prepared for storage at the end of the season, or if the unit is to be unused for 30 days or more. Fuel, if permitted to stand unused for extended periods (30 days or more), may develop gummy deposits which can adversely affect the engine carburettor and can cause engine malfunction.

DANGER

Never store engine with fuel in tank indoors or poorly ventilated enclosures, where fuel fumes may reach an open flame, spark or pilot light as on a furnace, water heater, clothes dryer, etc...

Handle fuel carefully. It is highly flammable and careless use could result in serious fire damage to your person and property.

Drain fuel into an approved container outdoors away from open flame.

To prepare the tractor for storage, proceed as follows:

1. Clean the tractor thoroughly.
2. Inspect the tractor for worn or damaged parts and tighten all loose screws and nuts.
3. Prepare engine for storage (See the engine operating and maintenance manual).
4. Lubricate all points shown in the Lubrication

Chart (page 16).

5. Remove the battery (See the Battery removal paragraph, in Assembly section of this manual).
6. Clean the battery as described in the Battery maintenance paragraph of the Maintenance section of this manual. Add clean water to raise level to indicator ring and fully charge the battery. A discharged battery will freeze and may burst. If possible, place the battery in a cool, dry area. Charge the battery overnight every 30 days.
7. Store the tractor in a clean, dry area, and cover it for additional protection.

A yearly check-up or a tune-up by an authorized service dealer is a good way of insuring that your tractor will provide maximum performance for the next season.

NOTE: Fuel stabilizer is an acceptable alternative in minimizing the formation of gum deposits during storage. Add stabilizer to the fuel in the fuel tank or storage container. Always follow the mix ratio given by the stabilizer manufacturer. Run the engine at least 10 minutes after adding stabilizer to allow the stabilizer to reach the carburettor. Do not drain the gas tank and carburettor if using stabilizer.



TECHNICAL SPECIFICATIONS

<u>Engine:</u>	18 HP VANGUARD V-TWIN Briggs & Stratton *
<u>Battery:</u>	12 Volts/22 Ah
<u>Front tyres:</u>	16 X 6.50 - 8
<u>Rear tyres:</u>	20 X 10.00 - 8
<u>Front tyres pressure:</u>	100 kPa (1 Bar)
<u>Rear tyres pressure:</u>	70 kPa (0,7 Bar)
<u>Transaxle:</u>	HYDRO-GEAR MODEL NO: 310-0650
<u>Forward speed</u>	0 - 9 km/h
<u>Reverse speed</u>	0 - 4 km/h
<u>Turning radius:</u>	74 cm
<u>Cutting heights:</u>	6 heights: from 25 to 90 mm
<u>Mowing size:</u>	Twin-blade; 102 cm
<u>Mower deck:</u>	Suspended
<u>Blade clutch:</u>	Warner Electro-magnetic clutch
<u>Discharge:</u>	Rear, with grass collector as standard
<u>Weight (18 HP):</u>	Gross: 262 Kg Net: 247 Kg
<u>Tractor dimensions (L x W x H):</u>	240 x 106 x 110 cm

IMPORTANT

** Refer to model and type numbers when purchasing replacement parts.*

For improvement purposes, specifications and design are subject to change, without notice.

Please be advised that no legal claims, of whatsoever they might be, can be used upon the information contained in this manual.

When performing repairs, make sure that only genuine parts are used. Use of non-original parts will void the warranty.

