

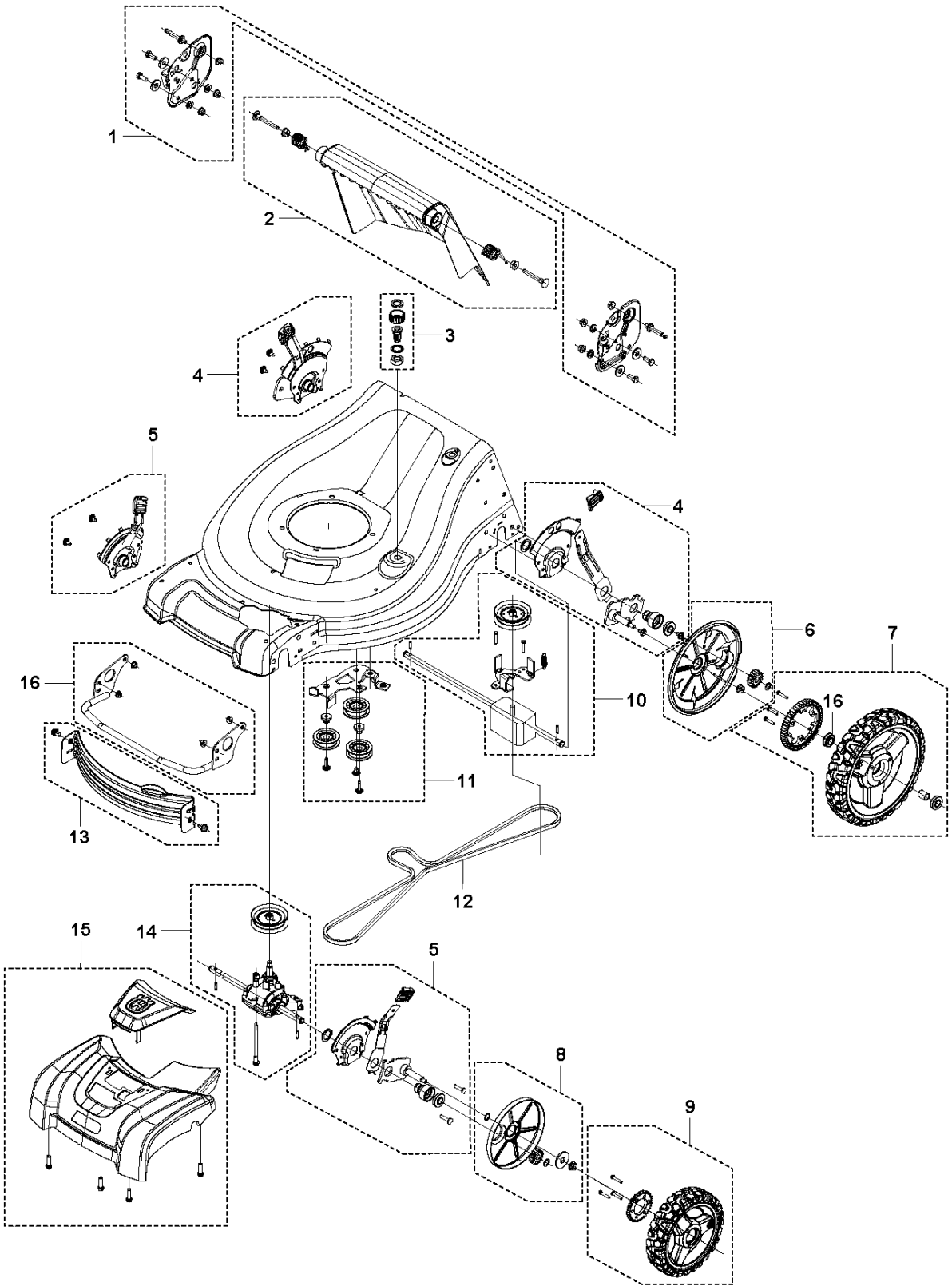


SPARE PARTS LIST

LAWN MOWERS: CONSUMER
WALK-BEHINDS

LC 353AWD, 970450101, 2020-03

A LC 353AWD
CHASSIS

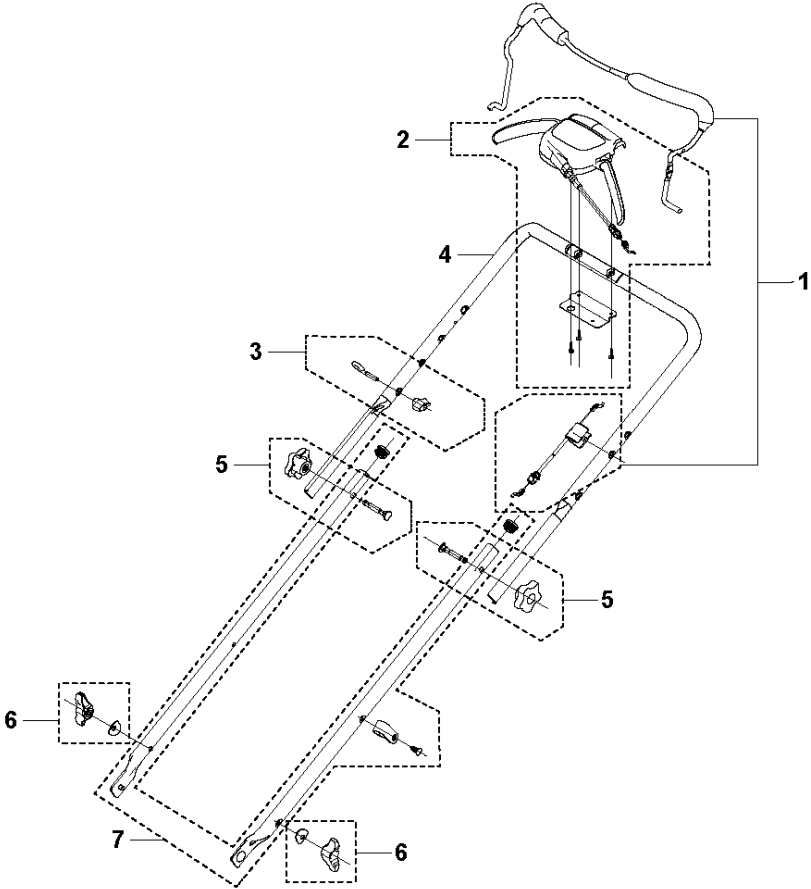


CHASSIS

LC 353AWD, 970450101, 2020-03

Ref	Part No	Description	Remark	QTY	KIT
1	598 45 36-01	BRACKET		1	1
2	598 45 37-01	DOOR ASSY		1	2
3	532 42 11-14	WATER CONNECTOR		1	
4	598 45 40-01	HEIGHT ADJUSTER SYSTEM		1	4
5	598 45 39-01	HEIGHT ADJUSTER SYSTEM		1	5
6	598 45 46-01	DUST COVER		1	6
7	598 45 48-01	WHEEL ASSY		1	7
8	598 45 45-01	DUST COVER		1	8
9	598 45 47-01	WHEEL ASSY		1	9
11	598 45 44-01	PULLEY KIT		1	11
13	598 45 43-01	BAFFLE		1	13
15	598 45 38-01	FRONT COVER		1	15

B LC 353AWD
HANDLE AND GRASS BAG

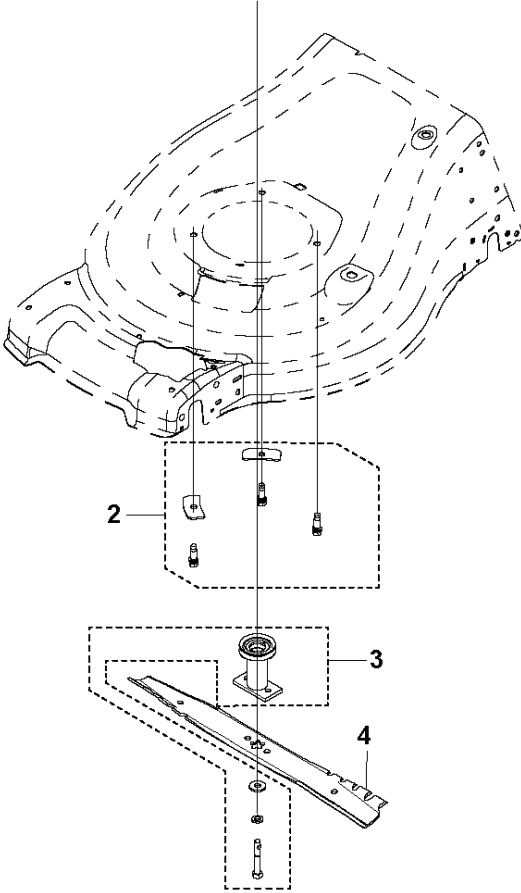
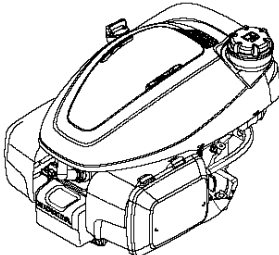


HANDLE

LC 353AWD, 970450101, 2020-03

Ref	Part No	Description	Remark	QTY	KIT
1	598 45 31-01	BAIL ARM ASSY		1	1
3	598 69 58-01	GUIDE		1	3
4	598 45 33-01	HANDLE KIT		1	4
5	598 45 34-01	KNOB ASSY		1	5
6	599 54 22-01	KNOB		1	6

C LC 353AWD
ENGINE

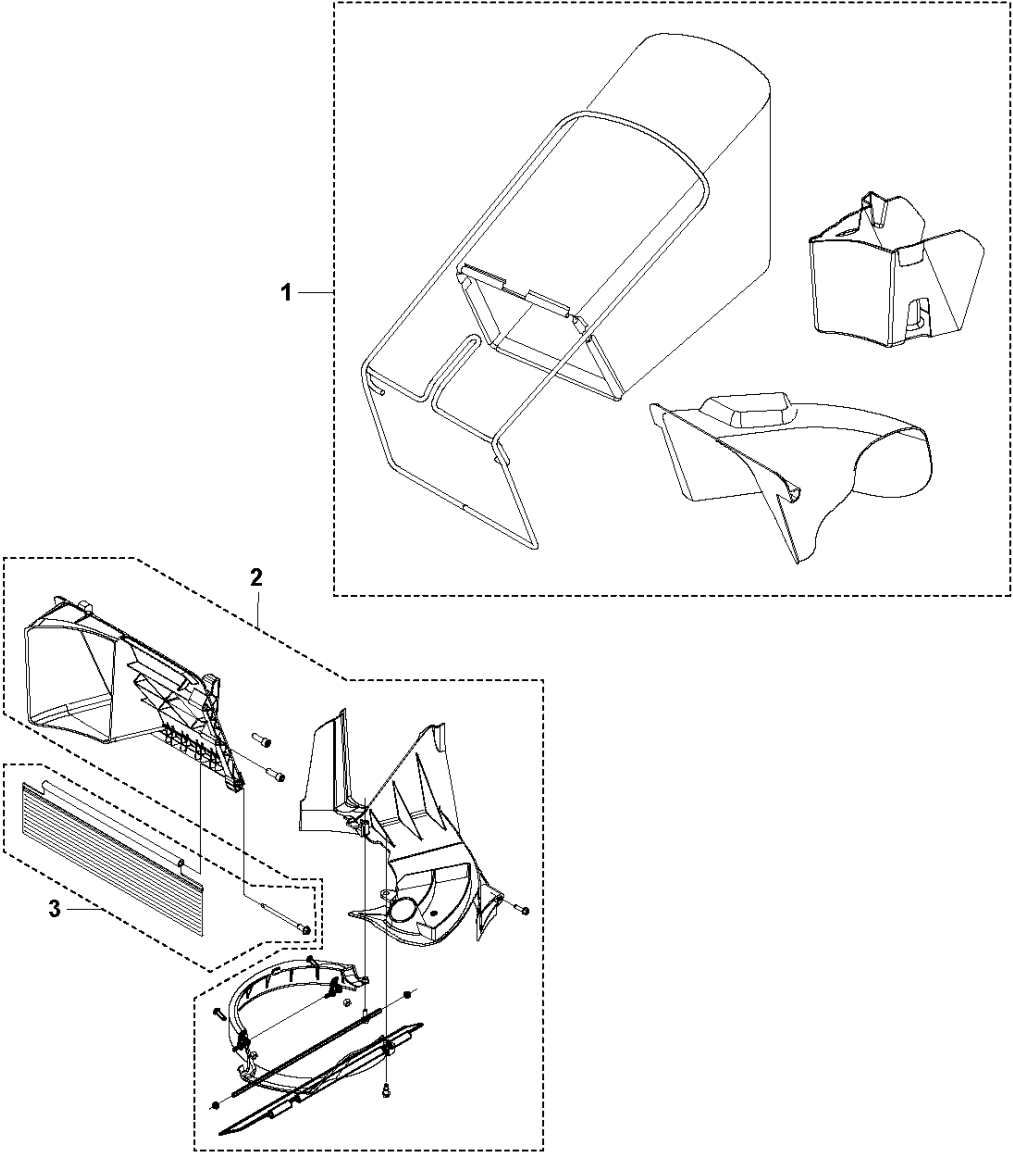


ENGINE

LC 353AWD, 970450101, 2020-03

Ref	Part No	Description	Remark	QTY	KIT
2	599 54 21-01	INSTALLATION KIT		1	2
3	598 45 27-01	ADAPTER		1	3
4	599 54 19-01	BLADE		1	

D LC 353AWD



Ref	Part No	Description	Remark	QTY	KIT
1	598 45 35-01	GRASS BAG ASSY		1	1
2	598 45 42-01	INSERT		1	2
3	598 45 41-01	GUARD		1	3