

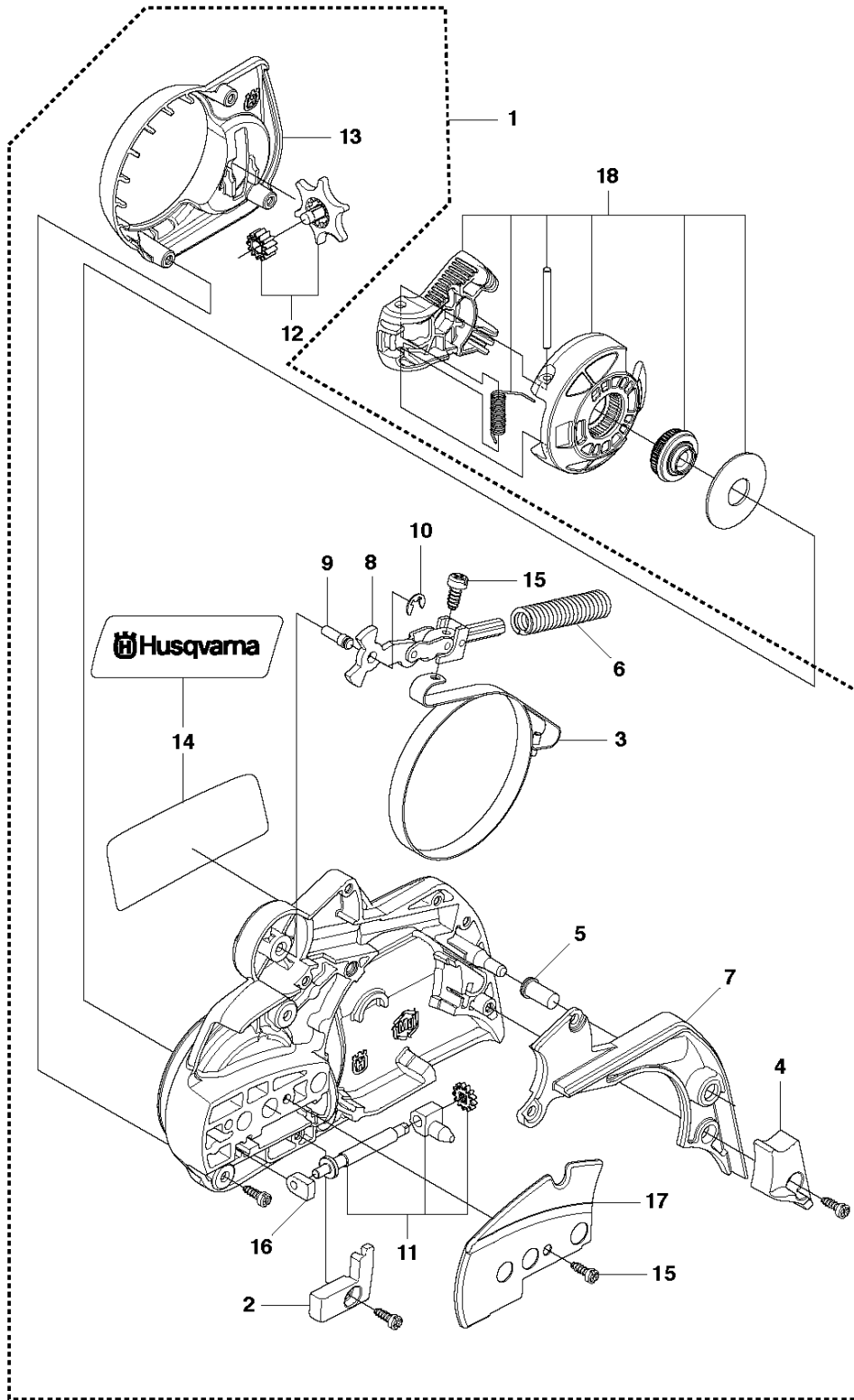


SPARE PARTS LIST

CHAIN SAWS

455 E Rancher II

A 455e Rancher II
CHAIN BRAKE

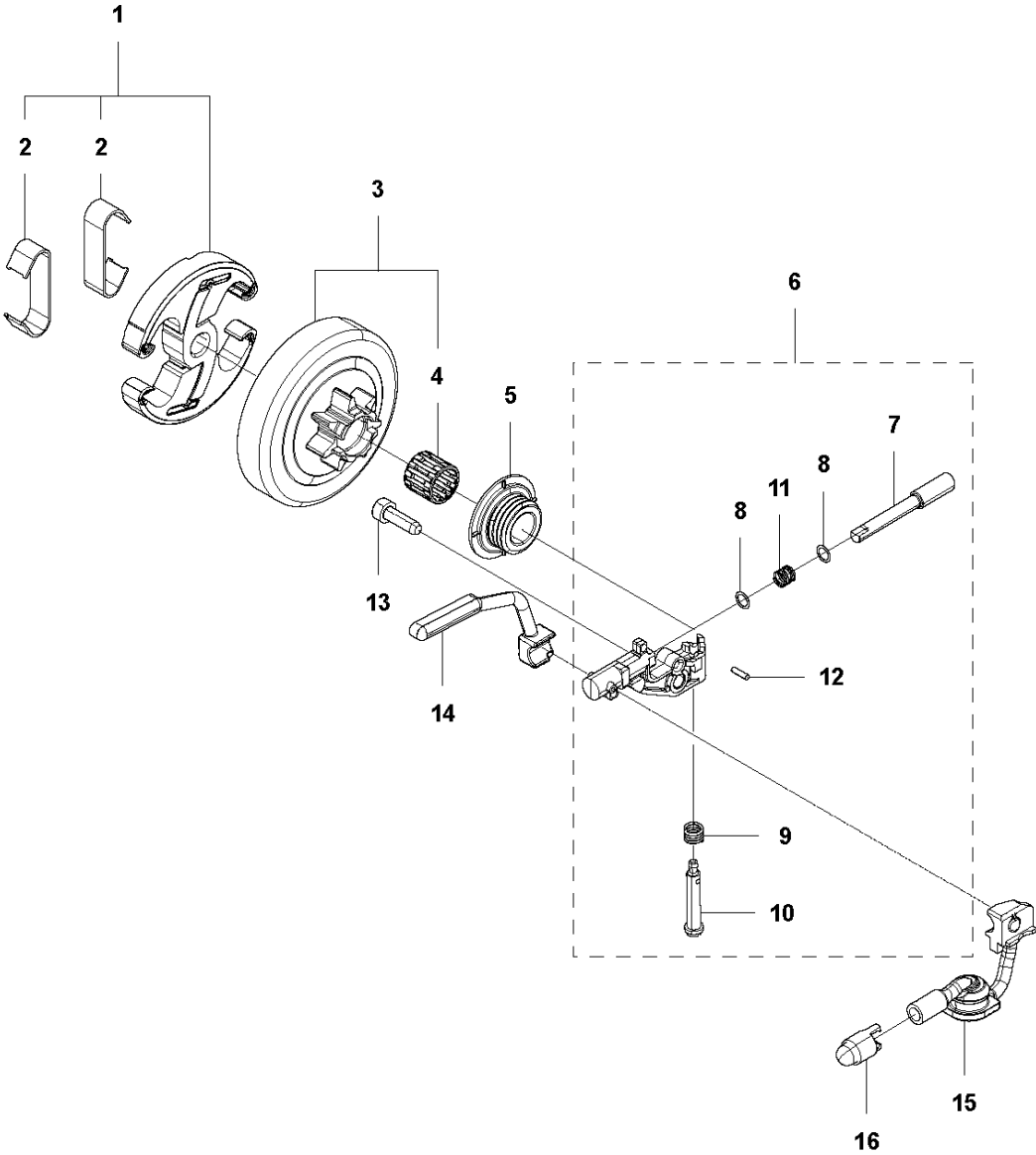


CHAIN BRAKE

455 E Rancher II

Ref	Part No	Description	Remark	QTY	KIT
1	544 21 72-01	CLUTCH COVER ASSY		1	
2	504 54 28-01	COVER LID		1	1
3	537 04 30-01	BRAKE BAND ASSY		1	1
4	544 08 30-01	WEAR PROTECTION		1	1
5	503 85 52-01	GUIDE BUSHING		1	1
6	503 46 59-01	BRAKE SPRING		1	1
7	544 08 29-01	COVER LID		1	1
8	503 89 08-02	KNEE JOINT ASSY		1	1
9	503 89 29-01	PIN KNEE-JOINT		1	1
10	735 31 08-20	E-CLIP		1	1
11	537 39 29-01	SCREW		1	1
12	537 34 72-01	CHAIN TENSIONER		1	1
13	537 39 26-01	HEAT PROTECTOR		1	1
14	544 35 75-01	LABEL		1	1
15	503 21 70-10	SCREW CCRPANT		10	1
16	525 35 43-01	BEARING SLEEVE		1	1
17	544 25 05-01	WEAR PLATE		1	1
18	537 34 78-01	KNOB		1	

B 455e Rancher II
CLUTCH & OIL PUMP

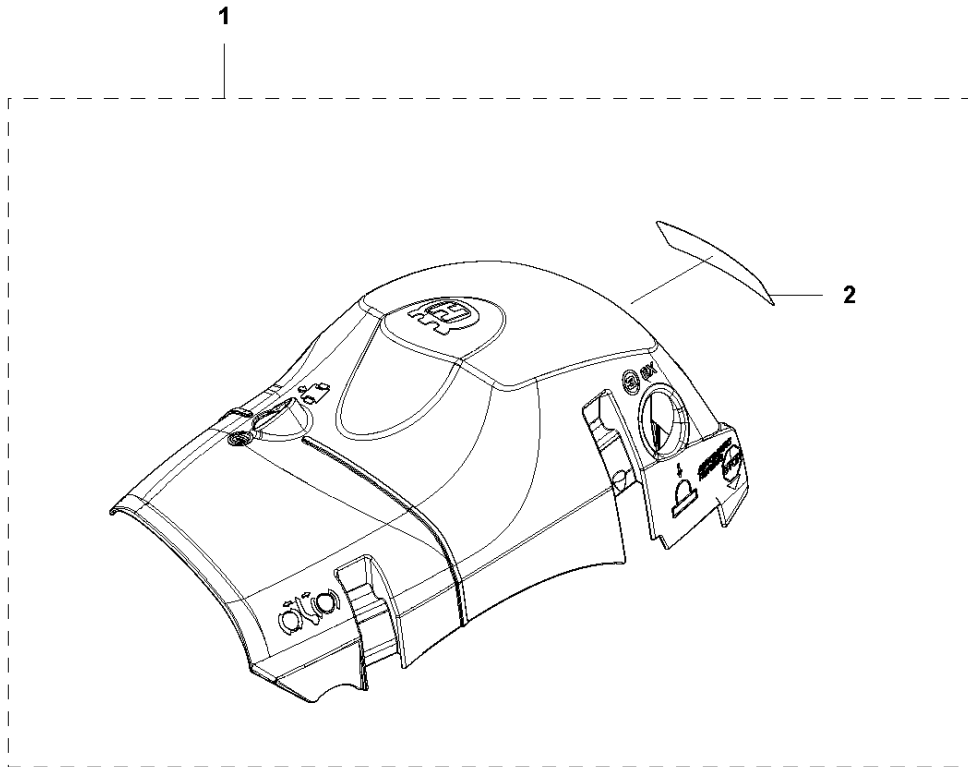


CLUTCH & OIL PUMP

455 E Rancher II

Ref	Part No	Description	Remark	QTY	KIT
16	510 04 43-01	OIL SCREEN		1	
1	537 11 05-03	CLUTCH ASSY		1	
2	537 35 91-01	CLUTCH SPRING		2	1
3	537 29 17-02	CLUTCH DRUM ASSY	" 0,325"" x 7 SPUR"	1	
3	537 29 16-04	CLUTCH DRUM ASSY	"3/8"" x 7 SPUR"	1	
4	503 25 52-01	NEEDLE BEARING		1	3
5	537 25 26-01	PUMP PINION		1	
6	544 18 01-04	OIL PUMP ASSY		1	
7	537 06 93-02	PUMP PISTON		1	6
8	503 23 00-60	WASHER		2	6
9	503 89 16-01	SPRING		1	6
10	537 02 71-01	ADJUSTER		1	6
11	503 89 15-01	SPRING		1	6
12	721 11 64-30	GROOVED PIN		1	6
13	503 21 74-16	SCREW IHSCT		1	
14	537 26 15-01	OIL PRESSURE HOSE		1	
15	576 99 85-01	OIL HOSE		1	

C 455e Rancher II
CYLINDER COVER

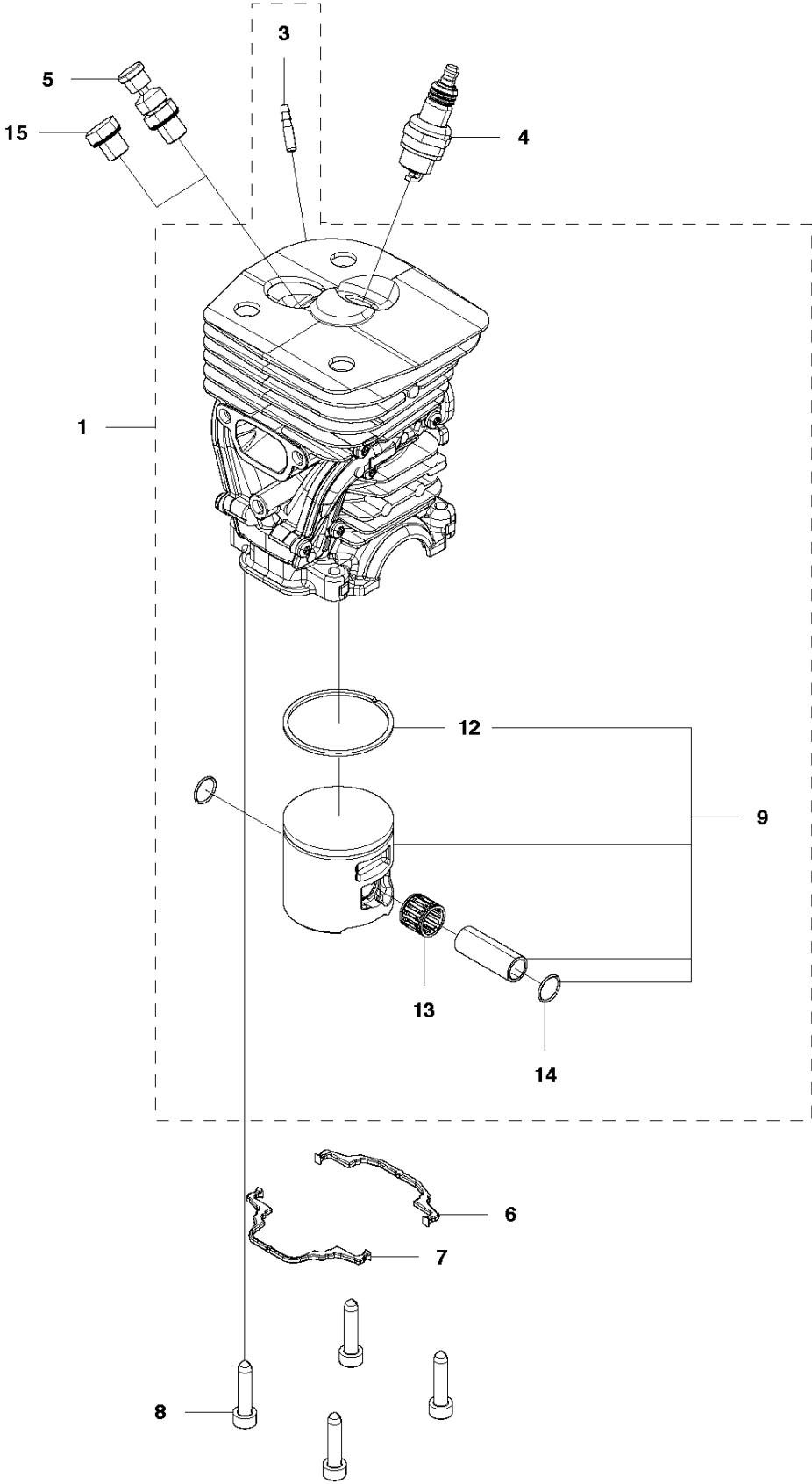


CYLINDER COVER

455 E Rancher II

Ref	Part No	Description	Remark	QTY	KIT
1	577 77 59-01	CYLINDER COVER		1	
2	522 70 92-01	LABEL		1	1

D 455e Rancher II
CYLINDER PISTON

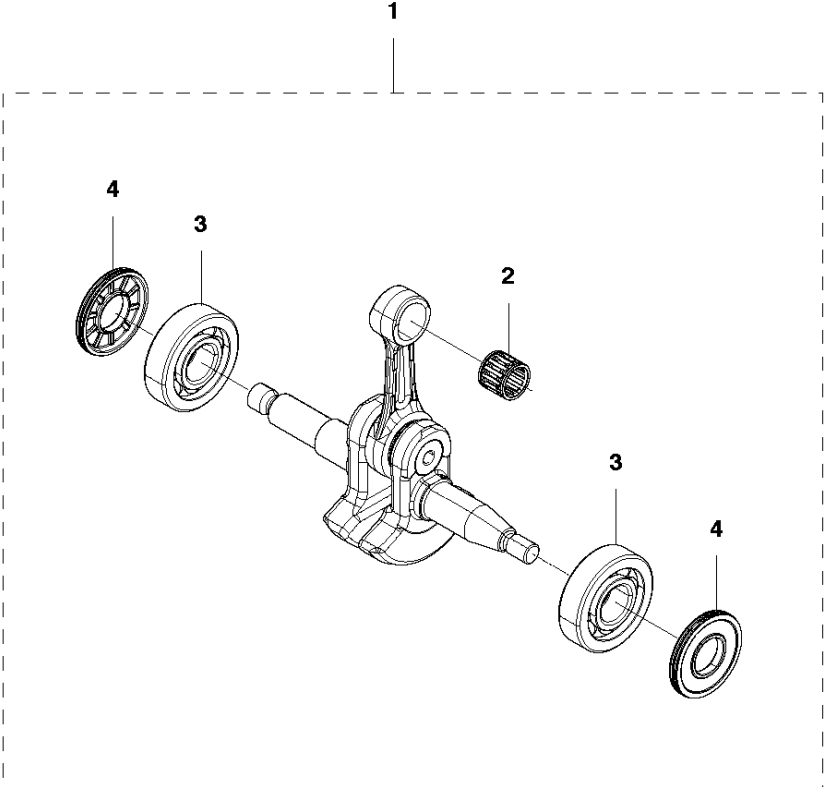


CYLINDER PISTON

455 E Rancher II

Ref	Part No	Description	Remark	QTY	KIT
1	537 32 04-03	CYLINDER ASSY		1	
3	503 42 43-01	IMPULSE NIPPLE		1	1
4	503 23 51-11	SPARK PLUG		1	
5	585 23 63-01	DECOMPRESSION VALVE		1	
6	537 24 58-01	GASKET		1	
7	537 24 57-01	GASKET		1	
8	503 20 05-27	SCREW IHSCM		4	
9	574 64 40-02	PISTON ASSY		1	1
12	544 09 84-01	PISTON RING		1	1, 9
13	574 34 24-01	NEEDLE BEARING		1	1, 9
14	737 44 12-00	SNAP RING		2	1, 9
15	503 55 22-01	PLUG		1	

E 455e Rancher II
CRANKSHAFT

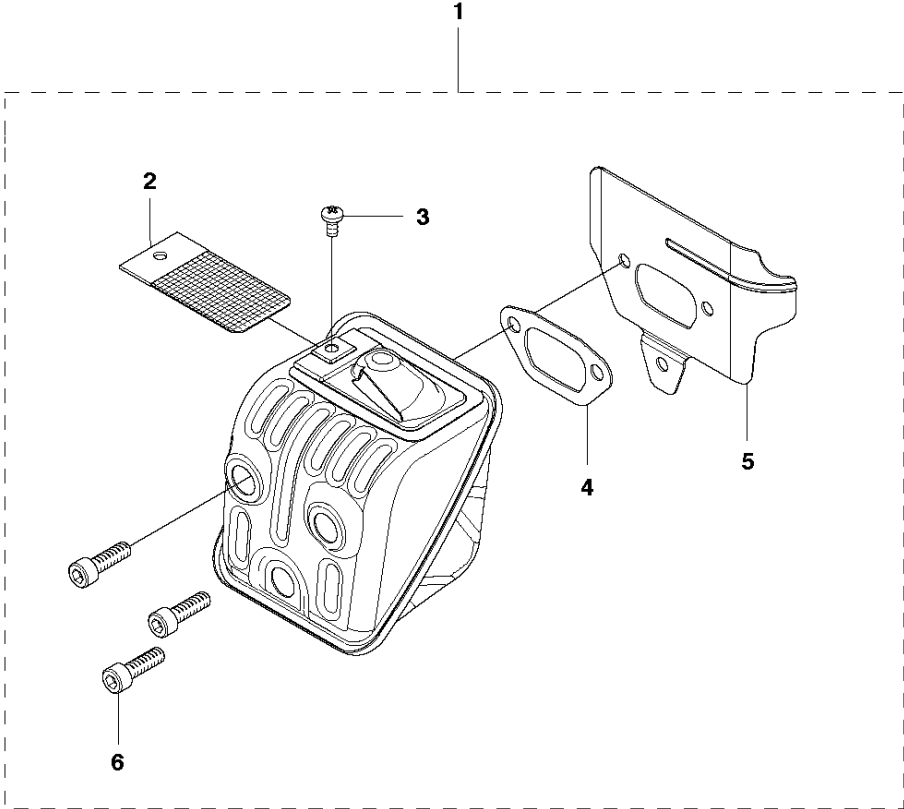


CRANKSHAFT

455 E Rancher II

Ref	Part No	Description	Remark	QTY	KIT
1	537 31 40-03	CRANKSHAFT ASSY		1	
2	574 34 24-01	NEEDLE BEARING		1	1
3	503 25 16-02	BALL BEARING		2	1
4	503 26 19-01	SEALING		2	1

F 455e Rancher II
MUFFLER

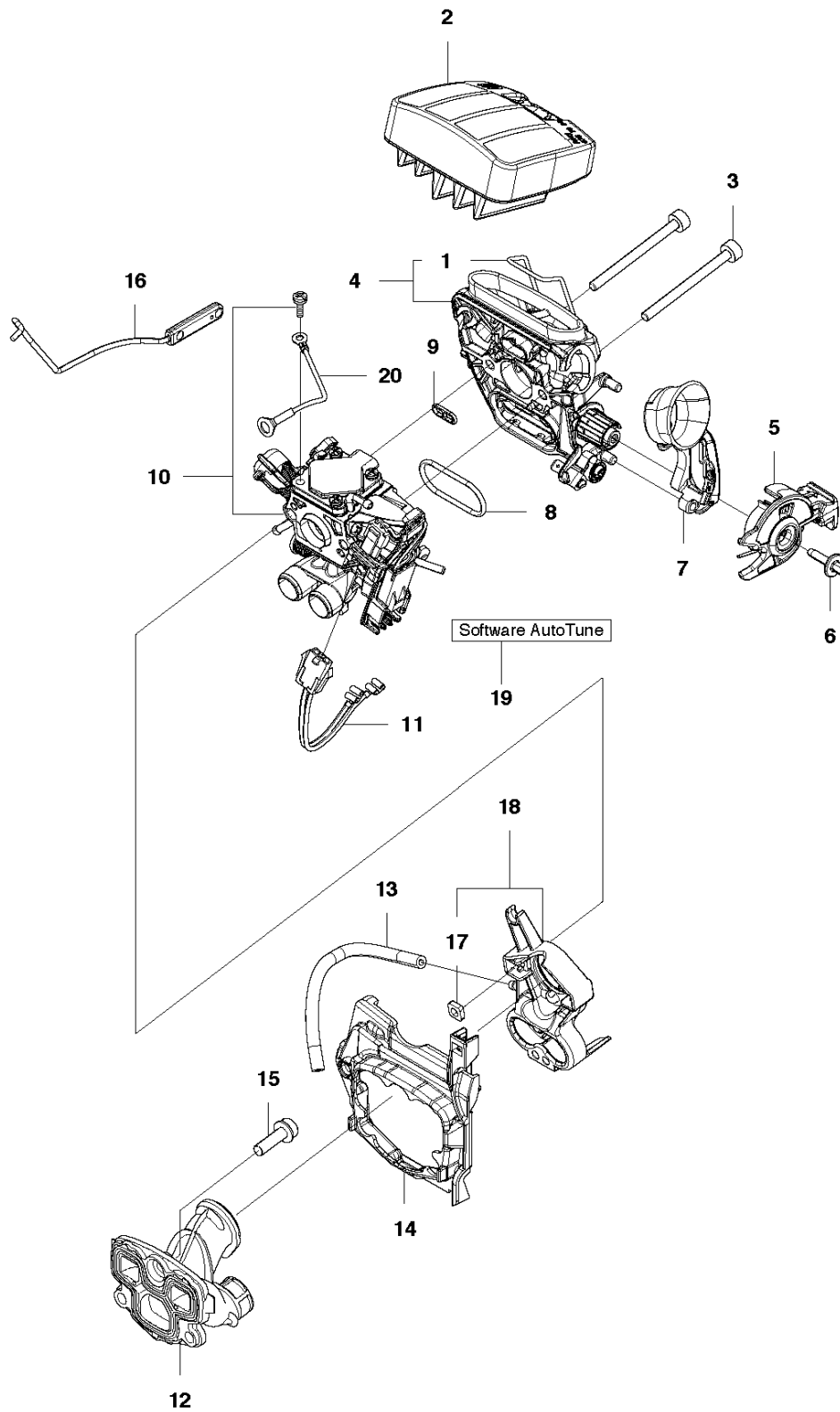


MUFFLER

455 E Rancher II

Ref	Part No	Description	Remark	QTY	KIT
1	575 74 30-02	MUFFLER KIT		1	
2	544 11 68-02	SPARK ARRESTER SCREEN		1	1
3	724 12 87-59	SCREW CRPANM		1	1
4	537 28 77-01	GASKET		1	1
5	577 22 33-01	HEAT DEFLECTOR		1	1
6	725 53 70-55	SCREW IHSCM		3	1

G 455e Rancher II
CARBURETOR & AIR FILTER

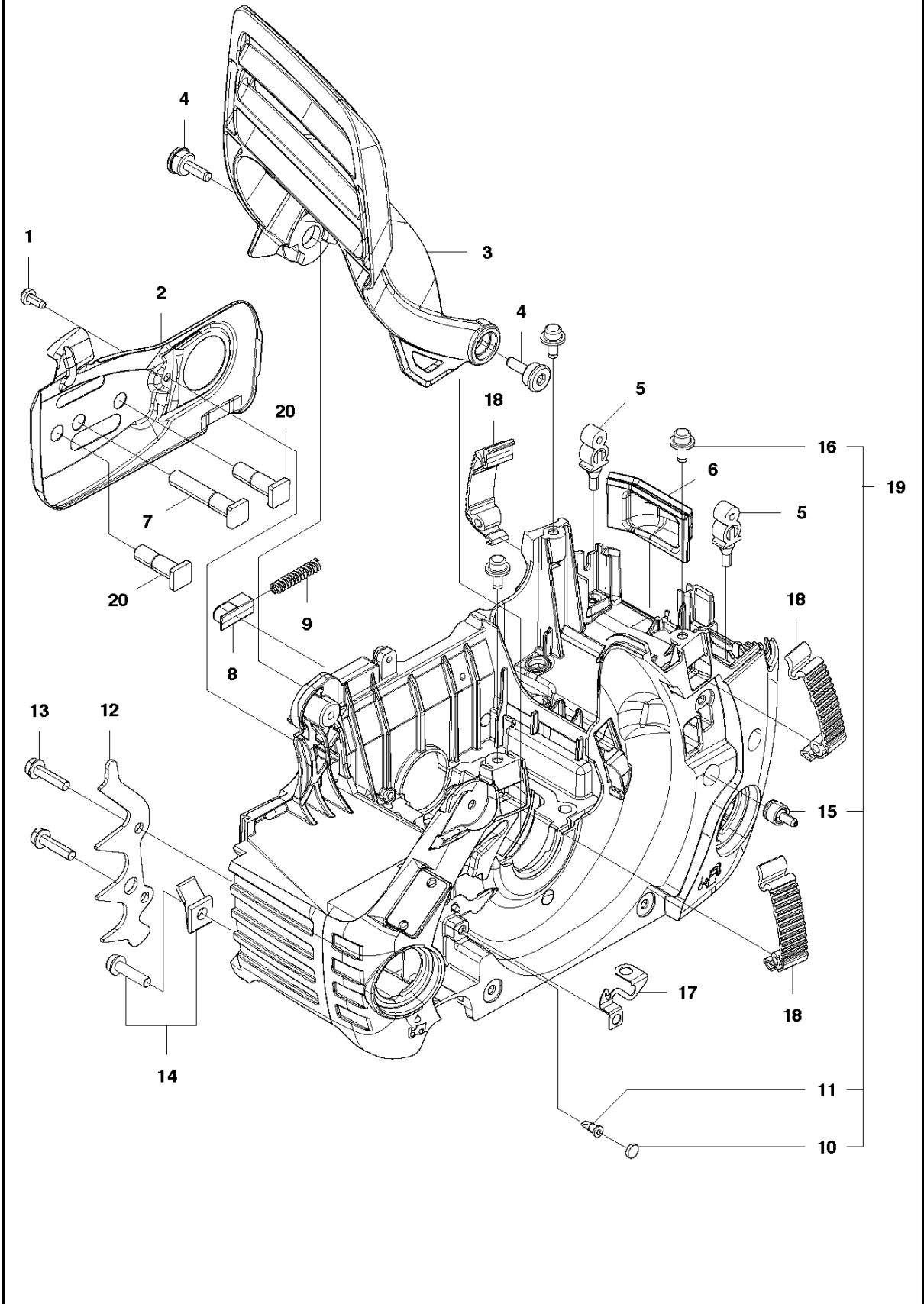


CARBURETOR & AIR FILTER

455 E Rancher II

Ref	Part No	Description	Remark	QTY	KIT
1	522 90 73-01	SHACKLE		1	4
2	575 78 94-02	AIR FILTER ASSY	44μ	1	
2	575 78 94-01	AIR FILTER ASSY	80μ	1	
2	575 78 94-03	AIR FILTER ASSY	FELT	1	
3	503 20 25-50	SCREW IHSCM	IHSCM	2	
4	575 88 04-01	FILTER HOLDER ASSY		1	
5	510 01 72-02	CHOKE CONTROL ASSY		1	4
6	505 15 62-01	SCREW		1	4
7	525 58 81-01	SEALING		1	4
8	525 61 90-01	SEALING		1	
9	525 61 92-01	SEALING		1	
10	580 30 63-01	CARBURETTOR		1	
11	577 53 64-01	WIRING ASSY		1	
12	575 56 73-01	PIPE ASSY		1	
13	503 40 06-01	IMPULSE HOSE		1	
14	537 37 14-01	INSULATION WALL		1	
15	503 20 02-16	SCREW IHSCFM	IHSCFM	3	
16	576 14 87-01	THROTTLE ROD		1	
17	503 22 65-03	SQUARE NUT	M4	2	18
18	575 38 25-01	FLANGE		1	
19	0	TBD	Download from your local supportsite		
20	581 08 99-01	WIRING ASSY		1	

H 455e Rancher II
CRANKCASE

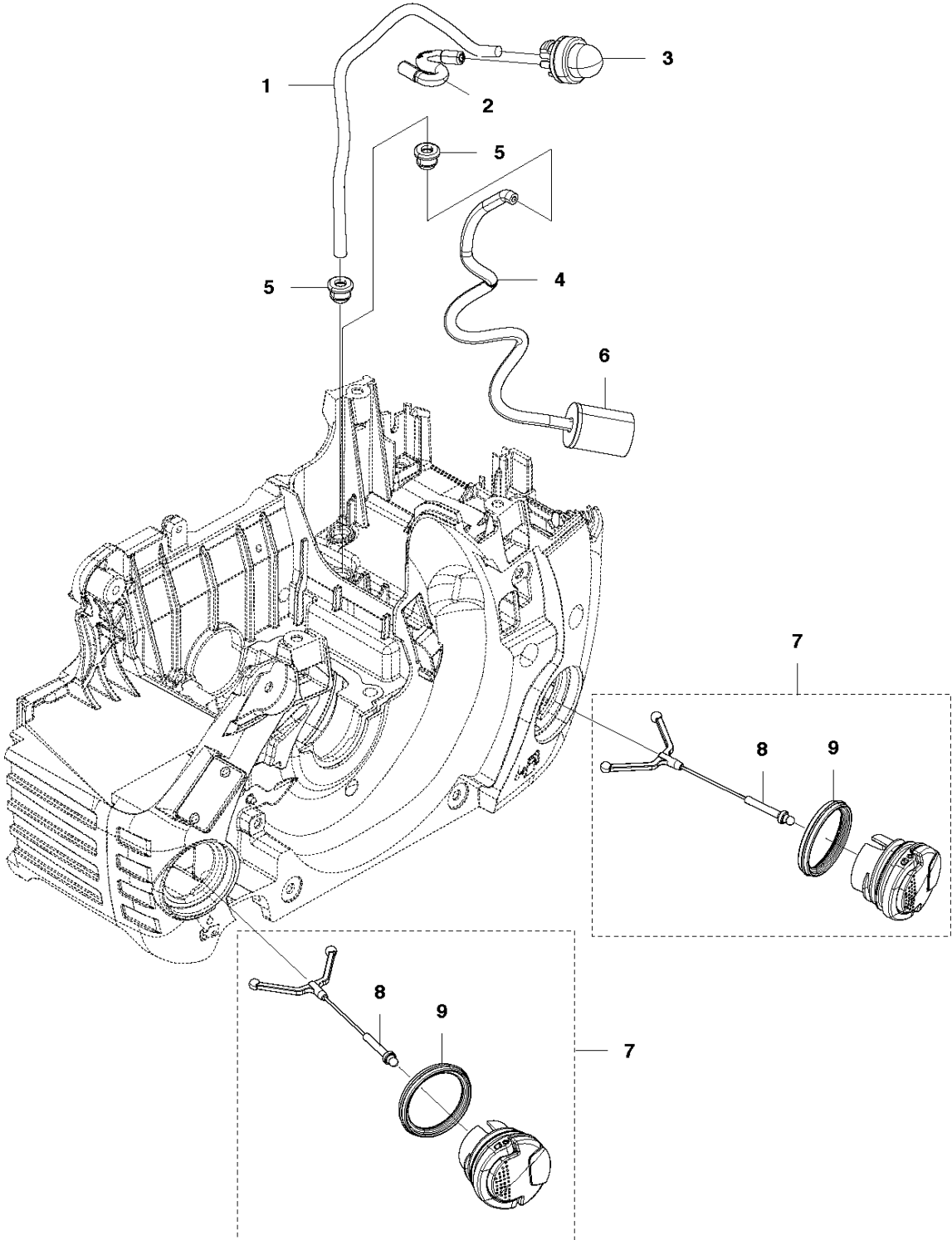


CRANKCASE

455 E Rancher II

Ref	Part No	Description	Remark	QTY	KIT
1	503 21 70-10	SCREW CCRPANT	CCRPANT	1	
2	537 27 13-02	CHAIN GUIDE PLATE		1	
3	574 60 29-01	HAND GUARD		1	
4	537 29 65-01	SCREW		2	
5	503 86 93-01	SUPPORT		2	
6	575 55 41-01	BELLOWS		1	
7	537 33 46-02	BAR BOLT		2	
8	503 89 24-01	LOCK		1	
9	503 43 65-01	POSITION SPRING		1	
10	537 40 35-01	FILTER		1	19
11	530 02 61-19	CHECK VALVE		1	19
12	578 06 88-01	SPIKE		1	
13	503 21 68-72	SCREW IHST		2	
14	503 91 06-71	KIT		1	
15	501 15 29-01	TANK VENT ASSY		1	19
16	544 33 16-01	GUIDE PIN		3	19
17	575 39 30-01	GROUND PLATE		1	
18	503 89 47-01	SNAP		3	
19	577 59 54-03	CRANKCASE		1	
20	537 22 78-01	BAR BOLT		1	

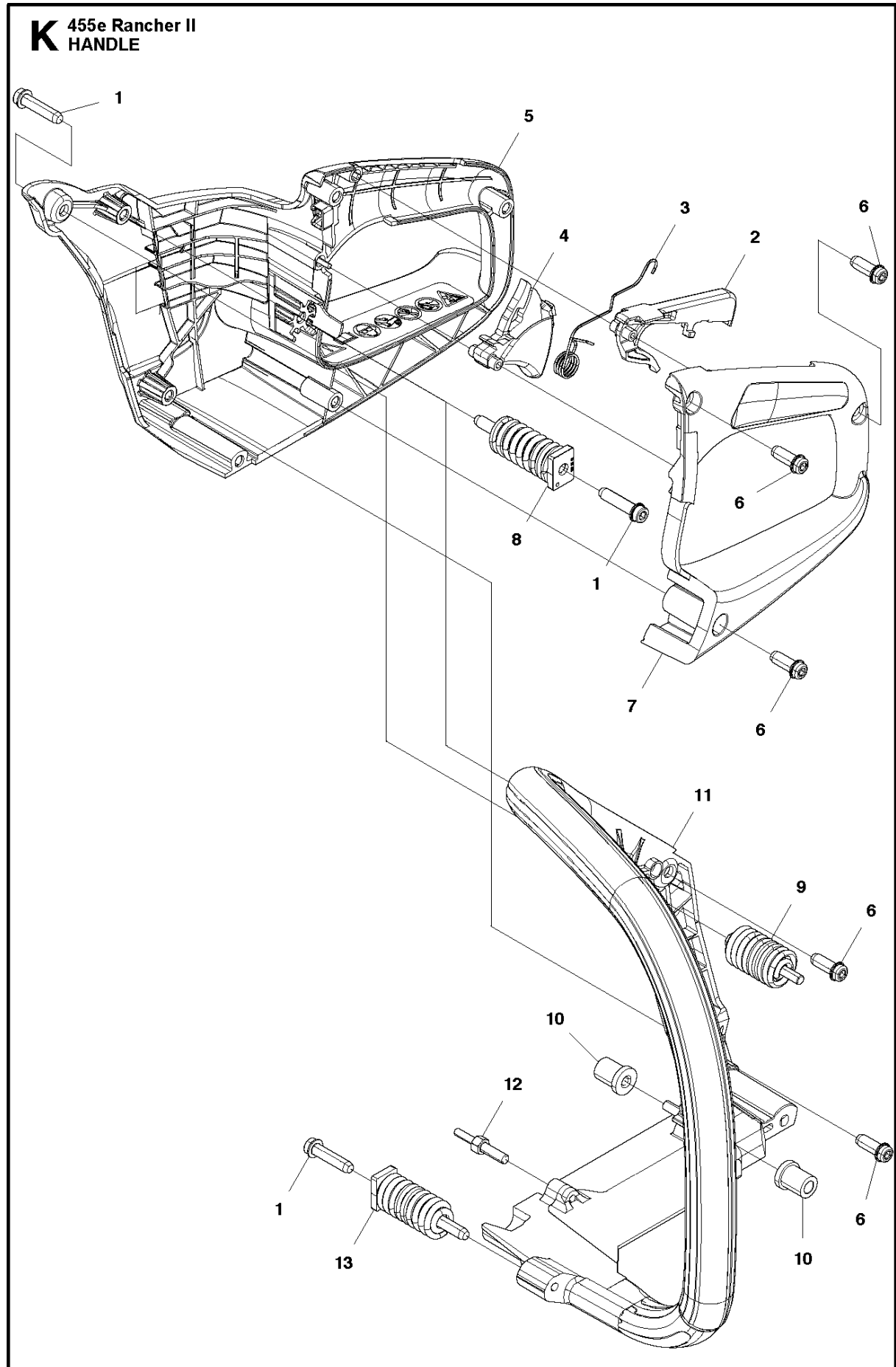
J 455e Rancher II
FUEL TANK



FUEL TANK

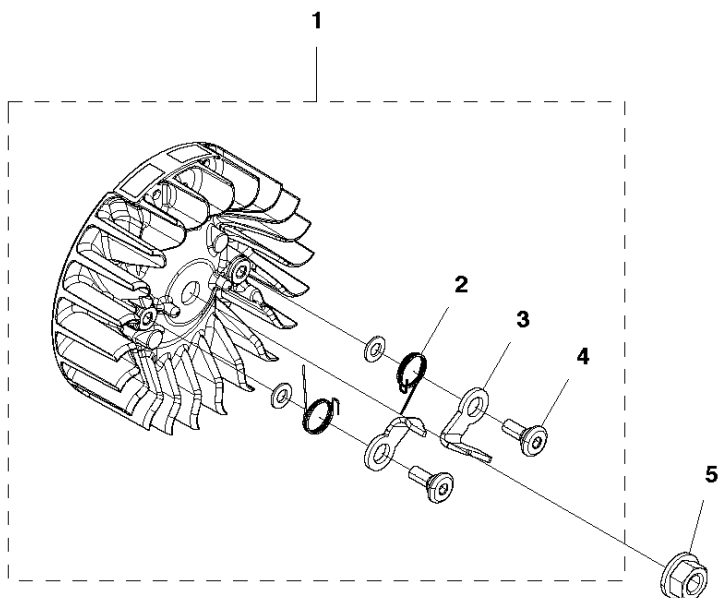
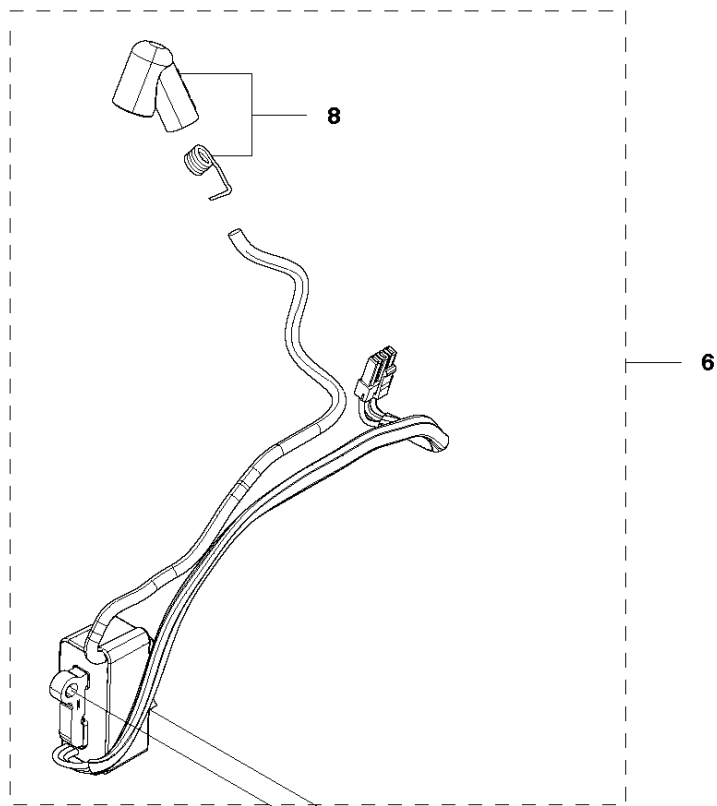
455 E Rancher II

Ref	Part No	Description	Remark	QTY	KIT
1	537 04 24-05	FUEL HOSE		1	
2	523 05 68-01	FUEL HOSE		1	
3	503 93 66-01	PURGE		1	
4	581 75 62-02	FUEL HOSE		1	
5	503 73 58-01	BUSHING		2	
6	503 44 32-01	FUEL FILTER		1	
7	522 62 00-03	TANK CAP ASSY		2	
8	503 57 89-01	HOLDER		1	7
9	589 24 11-01	GASKET		1	7



Ref	Part No	Description	Remark	QTY KIT
1	503 21 88-76	SCREW IHSCFT	IHSCFT	3
2	502 44 02-01	THROTTLE LOCKOUT		1
3	503 99 86-01	RECOIL SPRING		1
4	537 26 05-03	THROTTLE TRIGGER		1
5	580 94 59-01	REAR HANDLE		1
6	503 21 02-70	SCREW IHSCFT		5
7	537 23 07-04	HUB CAP		1
8	537 30 46-01	ANTIVIBRATION ELEMENT		1
9	503 85 41-01	ANTIVIBRATION ELEMENT		1
10	503 86 92-01	LATERAL SUPPORT		2
11	537 23 05-02	FRONT HANDLE		1
12	537 24 29-01	SCREW		1
13	503 92 31-01	ANTIVIBRATION ELEMENT		1

L 455e Rancher II
IGNITION SYSTEM

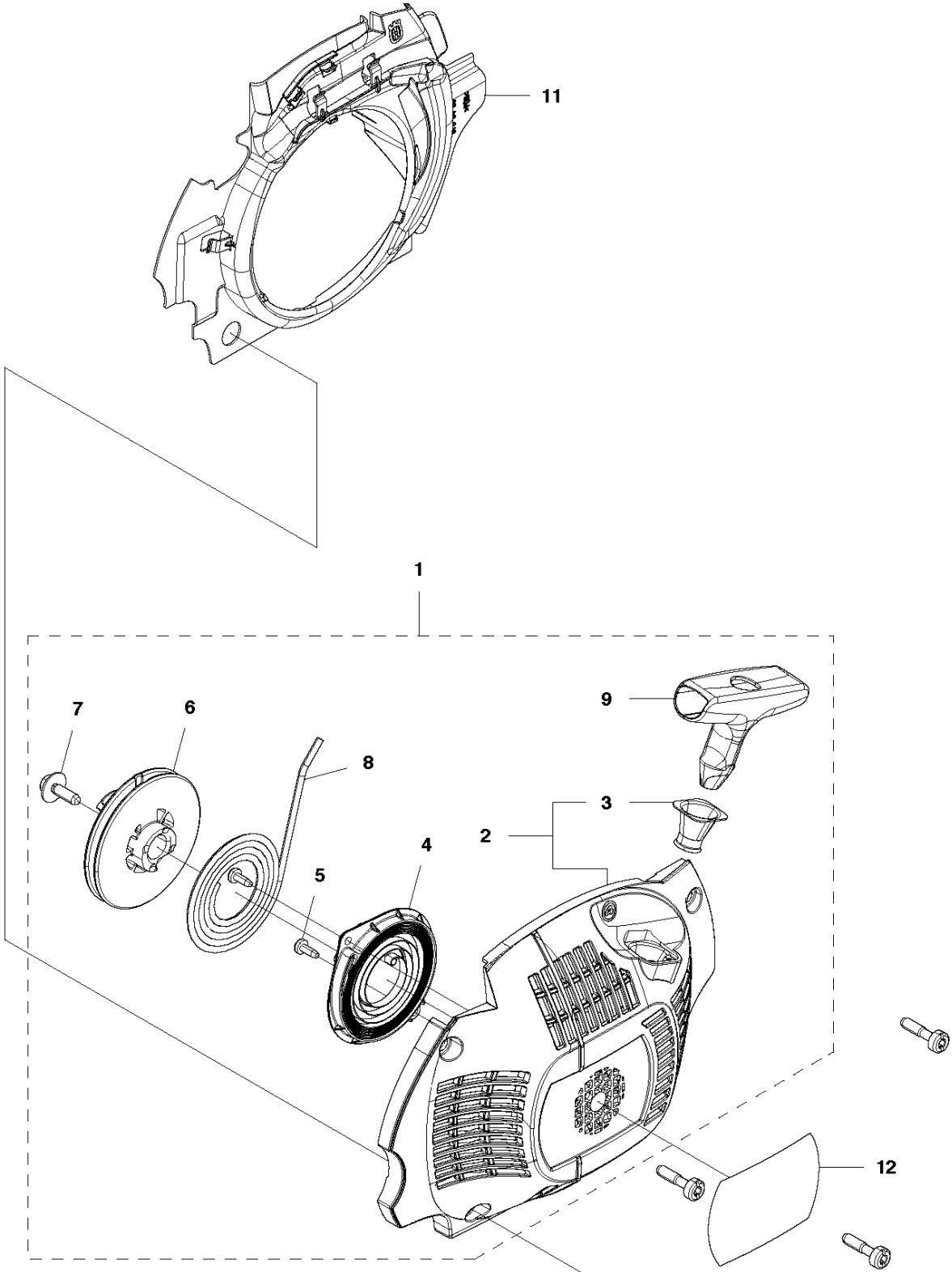


IGNITION SYSTEM

455 E Rancher II

Ref	Part No	Description	Remark	QTY	KIT
1	580 38 92-01	FLYWHEEL ASSY		1	
2	529 27 11-01	SPRING		2	1
3	537 24 56-01	STARTER PAWL		2	1
4	501 81 99-03	SCREW		2	1
5	503 22 04-01	NUT		1	
6	586 81 50-02	IGNITION MODULE		1	
7	503 21 55-25	SCREW IHSC	IHSCFT	2	
8	501 48 54-04	SPARK PLUG CAP ASSY		1	6

M 455e Rancher II
STARTER

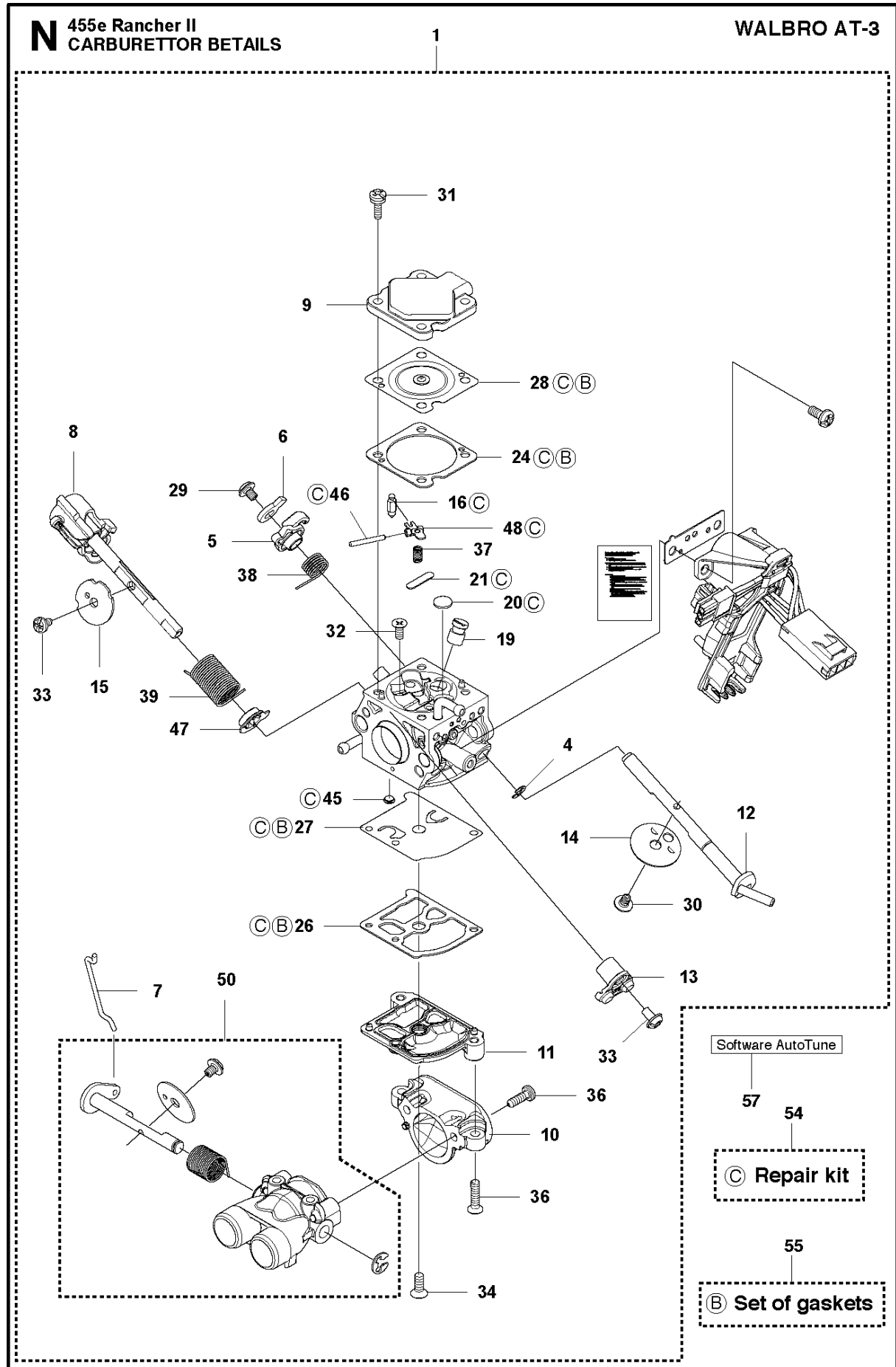


12

STARTER

455 E Rancher II

Ref	Part No	Description	Remark	QTY	KIT
1	574 64 32-01	STARTER ASSY		1	
2	574 64 31-01	STARTER HOUSING		1	1
3	537 28 32-01	REINFORCEMENT SLEEVE		1	1, 2
4	540 05 75-02	SPRING CASSETTE ASSY		1	1
5	503 21 28-10	SCREW CCRPANT		2	1
6	537 09 25-02	STARTER PULLEY		1	1
7	503 21 77-16	SCREW IHSCT	IHSCT	1	1
8	505 30 51-25	STARTER CORD		1	1
9	537 23 25-01	STARTER HANDLE		1	1
10	503 21 73-21	SCREW		4	
11	575 54 68-01	AIR BAFFLE		1	
12	575 86 32-04	DECAL		1	

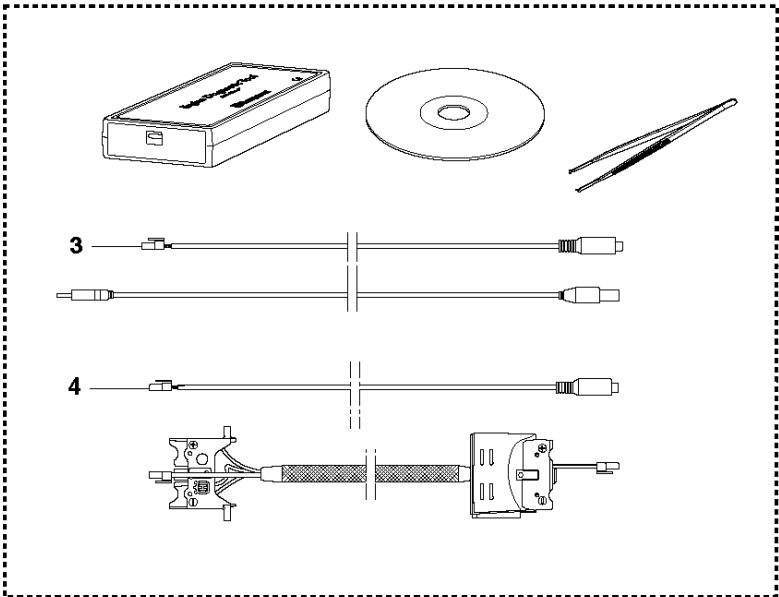
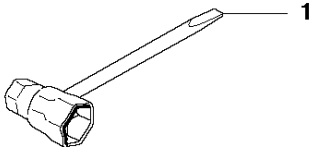


CARBURETOR DETAILS

455 E Rancher II

Ref	Part No	Description	Remark	QTY	KIT
1	580 30 63-01	CARBURETTOR	AT-3	1	
4	577 26 29-01	RETAINER		1	1
5	574 35 77-01	LEVER		1	1
6	576 61 85-01	LEVER		1	1
7	574 35 79-01	LINK		1	1
8	575 52 96-01	THROTTLE LEVER		1	1
9	574 35 81-01	COVER		1	1
10	575 79 48-01	INLET		1	1
11	579 26 52-01	COVER		1	1
12	574 35 84-01	SHAFT ASSY		1	1
13	579 32 32-01	THROTTLE SHAFT		1	1
14	574 35 85-01	VALVE		1	1
15	579 31 69-01	THROTTLE VALVE		1	1
16	503 56 34-01	INLET		1	1, 54
19	580 37 23-01	MAIN NOZZLE		1	1
20	504 79 08-01	PLUG		1	1, 54
21	502 84 69-01	PLUG		1	1, 54
24	574 35 86-01	GASKET		1	1, 54, 55
26	577 88 28-01	GASKET		1	1, 54, 55
27	577 88 29-01	DIAPHRAGM		1	1, 54, 55
28	574 35 88-01	DIAPHRAGM ASSY		1	1, 54, 55
29	501 46 87-01	SCREW		1	1
30	537 00 34-01	SCREW		1	1
31	537 00 31-01	SCREW		4	1
32	502 84 71-01	SCREW		1	1
33	544 11 15-01	SCREW		2	1
34	574 35 90-01	SCREW		1	1
36	576 61 89-01	SCREW		4	1
37	503 56 24-01	SPRING		5	1
38	574 35 93-01	SPRING		1	1
39	579 31 70-01	SPRING		1	1
45	501 66 61-01	SCREEN		1	1, 54
46	505 52 01-25	PIN-METERING LEVER		1	1, 54
47	574 35 96-01	BUSHING		1	1
48	502 84 74-01	LEVER		1	1, 54
50	579 32 31-01	THROTTLE VALVE ASSY		1	1
54	577 66 61-01	REPAIR KIT	SET OF GASKETS	1	
55	576 66 65-01	GASKET KIT	SET OF GASKETS	1	
57	0	TBD	Download from your local supportsite		

P 455e Rancher II
ACCESSORIES

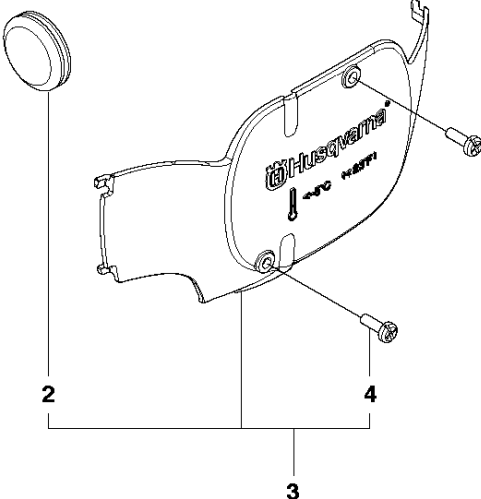
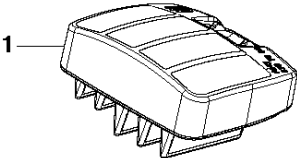


ACCESSORIES

455 E Rancher II

Ref	Part No	Description	Remark	QTY KIT	
1	501 69 17-01	COMBINATION WRENCH		1	
2	583 89 71-01	DIAGNOSTIC TOOL KIT		1	
3	576 18 34-01	CABLE ASSY	Diagnostic cable 14Mhz	1	2
4	576 95 22-01	CABLE ASSY	Diagnostic cable 8Mhz	1	2

Q 455e Rancher II
WINTER KIT



WINTER KIT

455 E Rancher II

Ref	Part No	Description	Remark	QTY	KIT
1	575 78 94-01	AIR FILTER ASSY	80μ	1	
2	503 40 59-01	WINTER PLUG		1	3
3	579 16 83-01	WINTER KIT		1	
4	503 21 70-16	SCREW CCRPANT		2	3

Illustrated Parts List - IPL Update



Product Name(s)

H45ERII

Description of change

1. New Ignition module, assy : 586 81 50-02 was 575 67 37-02. Minor correction.
2. New improved Fuel tank ventilation 501 15 29-01 added on crankcase 577 59 54-03. Tank ventilation improved regarding higher opening pressure.
3. Crankshaft assy. 537 31 40-03 was -02. Correction.
4. New Tank cap assy and gasket number due to change of supplier. Minor correction.
5. Choke control changed to secure correct assembly.
6. New Starter pulley 537 09 25-02.

Comments

This update is fully exchangeable.

Introduced from

Serial number / Date	Remark
s/n 20154400001	Choke control assy.
s/n 20151000001	Starter pulley.
s/n 20164400001	Crankcase and fuel tank ventilation.

IPL updates

Page Title	Ref. no	New part no	Name	Excl. part no.	Remark
Carburetor & air filter	1	510 01 72-02	Choke control assy.	510 01 72-01	
Crankcase	15	501 15 29-01	Tank vent assy	537 35 95-01	
	19	577 59 54-03	Crankcase	577 59 54-01	
Crankshaft	1	537 31 40-03	Crankshaft assy.	537 31 40-02	Correction.
Fuel tank	7	522 62 00-03	Tank cap assy.	522 62 00-01	Minor correction.
	9	589 24 11-01	Gasket	537 21 50-01	Minor correction.
Ignition system	6	586 81 50-02	Ignition module	575 67 37-02	Minor correction.
Starter	6	537 09 25-02	Starter pulley	537 09 25-01	

Illustrated Parts List - IPL Update



5. Choke control

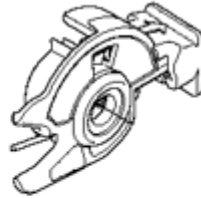
New version



510 01 72-02



Old version



510 01 72-01