

Repair Parts Manual
Manual De Repuestos
YTH24V48 / 96043027200

Please read the operator's manual carefully and make sure you understand the instructions before using the machine.

Por favor lea cuidadosamente y comprenda estas instrucciones antes de usar esta maquina.



English/Spanish

115 95 97-49 Rev. 5



HOW TO USE THIS MANUAL

This manual is designed to provide the customer with a means to identify the parts on his/her tractor when ordering repair parts. The illustrations may or may not represent the actual assemblies; therefore, it is not recommended to use this manual as a guide to assemble or disassemble the tractor. Some hardware and parts are drawn larger in order to more readily identify them.

Each tractor has its own model number. The model number for your tractor can be found on the fender under the seat.

Support / Help

If you require assistance or have questions concerning the application, operation, maintenance or parts for your product:

- Visit our website: www.husqvarna.com
- Call Us Toll Free: 1-800-487-5951

When ordering parts, always give the following information:

- Product - "TRACTOR"
- MODEL NUMBER - "YTH24V48" (96043027200)"
- Part Number
- Part Description

TABLE OF CONTENTS

| | |
|-----------------|-------|
| SCHEMATIC | 3 |
| ELECTRICAL..... | 4-5 |
| CHASSIS | 6-7 |
| DRIVE..... | 8-9 |
| ENGINE..... | 10-11 |
| STEERING | 12-13 |
| MOWER DECK..... | 14-15 |
| MOWER LIFT..... | 16 |
| SEAT | 17 |
| DECALS..... | 18 |

COMO UTILIZAR ESTE MANUAL

Este manual está diseñado para brindarle al comprador un medio para identificar las piezas del tractor para cuando necesite hacer el pedido de un repuesto. Las ilustraciones pueden o no representar los ensambles reales; por lo tanto, no se recomienda utilizar este manual como una guía para ensamblar o desarmar el tractor. Algunos accesorios y piezas están dibujados en tamaños más grandes para identificarlos con mayor facilidad.

Cada tractor tiene su propio número de modelo. El número de modelo del tractor se encuentra en el guardabarros debajo del asiento.

Soporte / Ayuda

Si necesita asistencia o tiene alguna pregunta acerca de la aplicación, operación, mantenimiento o piezas de su producto:

- Visite nuestro sitio web: www.husqvarna.com
- Llámenos de manera gratuita al: 1-800-487-5951

Cuando haga el pedido de una pieza, siempre brinde la siguiente información:

- Producto: "TRACTOR"
- NÚMERO DE MODELO: "YTH24V48" (96043027200)"
- Número de pieza
- Descripción de la pieza

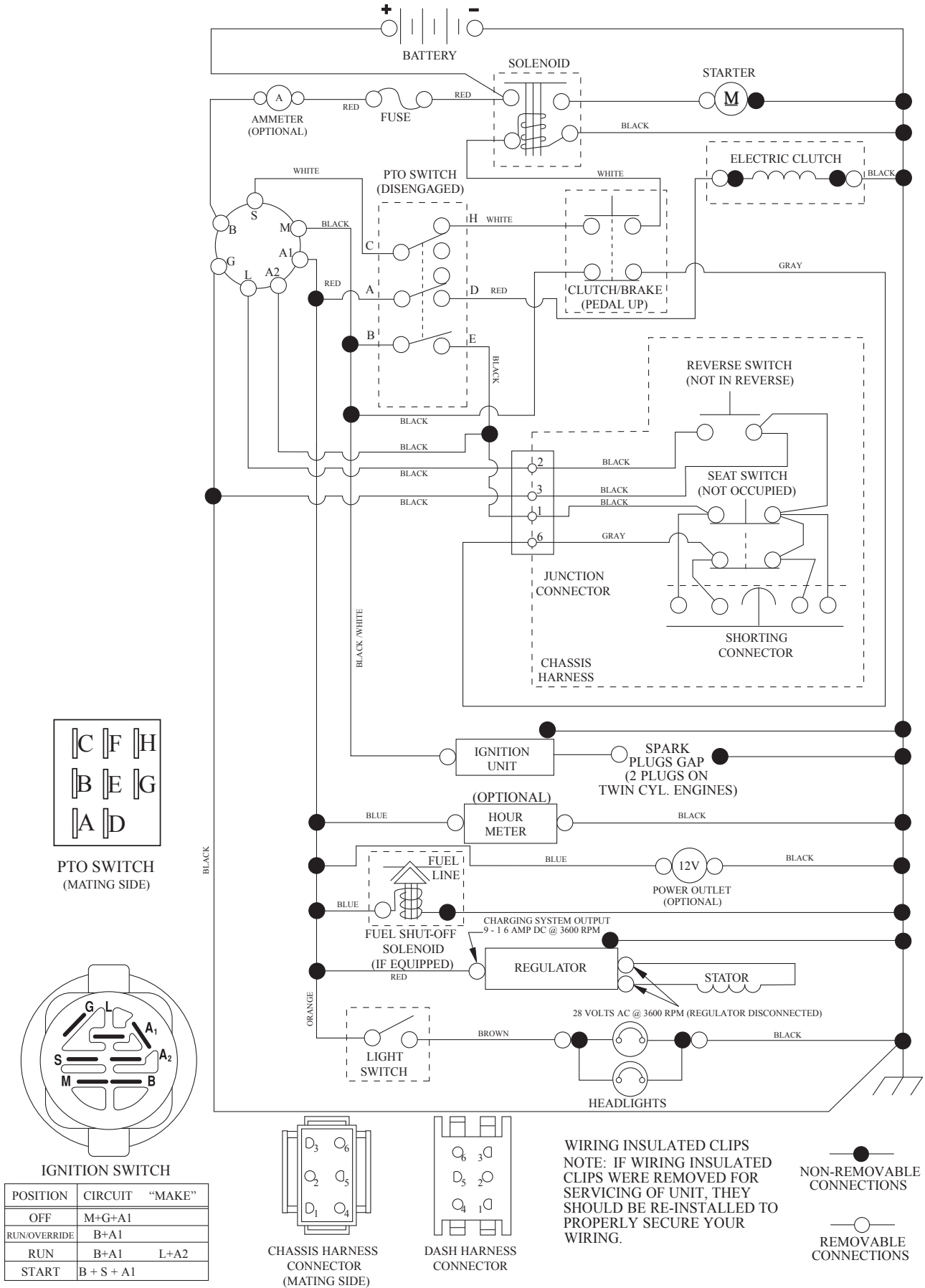
ÍNDICE

| | |
|---|-------|
| DIAGRAMA..... | 19 |
| DIAGRAMA ELÉCTRICO..... | 20-21 |
| CHASIS | 22-23 |
| TRANSMISIÓN | 24-25 |
| MOTOR..... | 26-27 |
| DIRECCIÓN | 28-29 |
| PLATAFORMA DE LA CORTADORA DE CÉSPED..... | 30-31 |
| ELEVACIÓN DE LA CORTADORA DE CÉSPED..... | 32 |
| ASIENTO..... | 33 |
| CALCOMANÍAS..... | 34 |

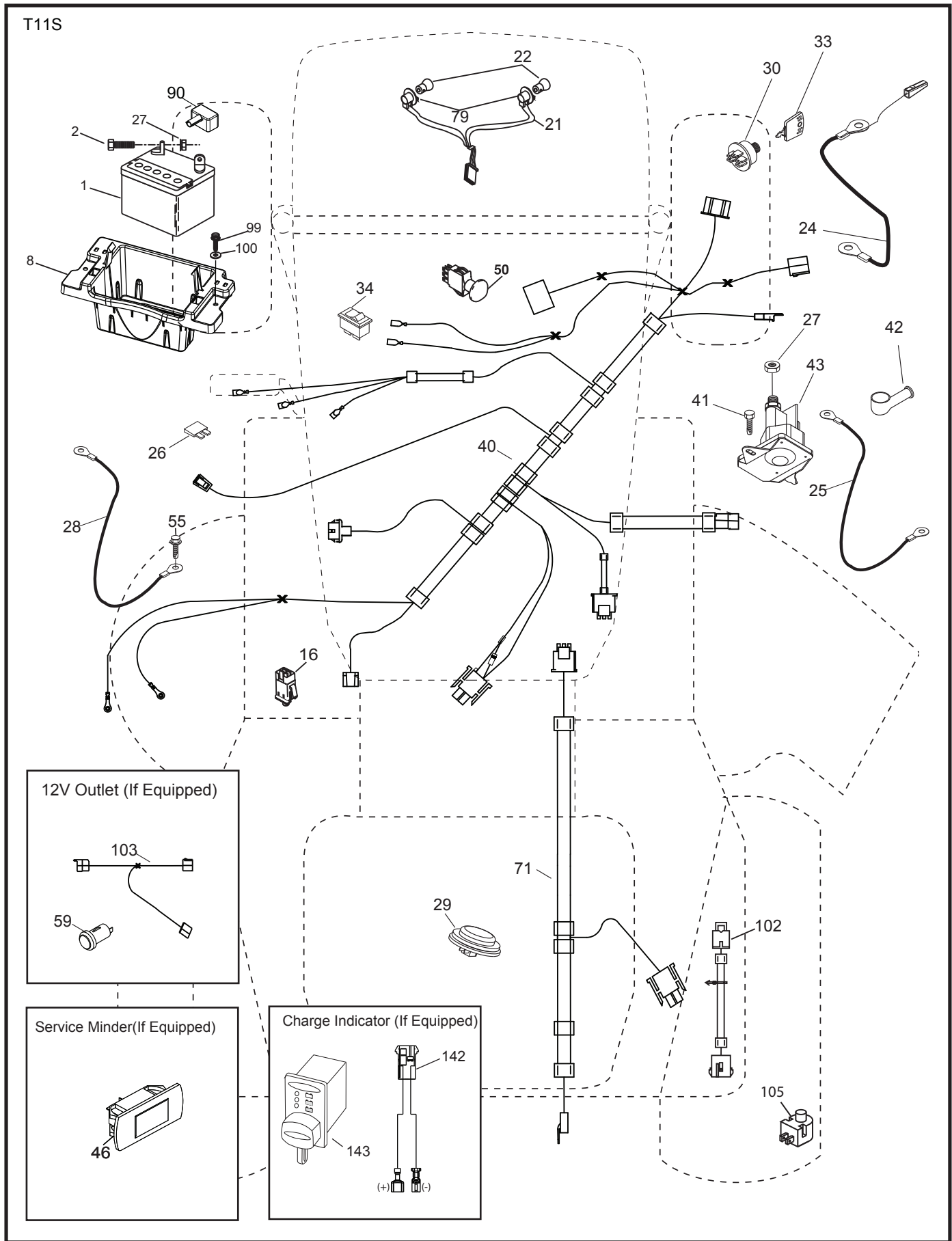
TRACTOR - MODEL NO. YTH24V48 (96043027200), PRODUCT NO. 960 43 02-72

SCHEMATIC

SCH12



**TRACTOR - MODEL NO. YTH24V48 (96043027200), PRODUCT NO. 960 43 02-72
ELECTRICAL**

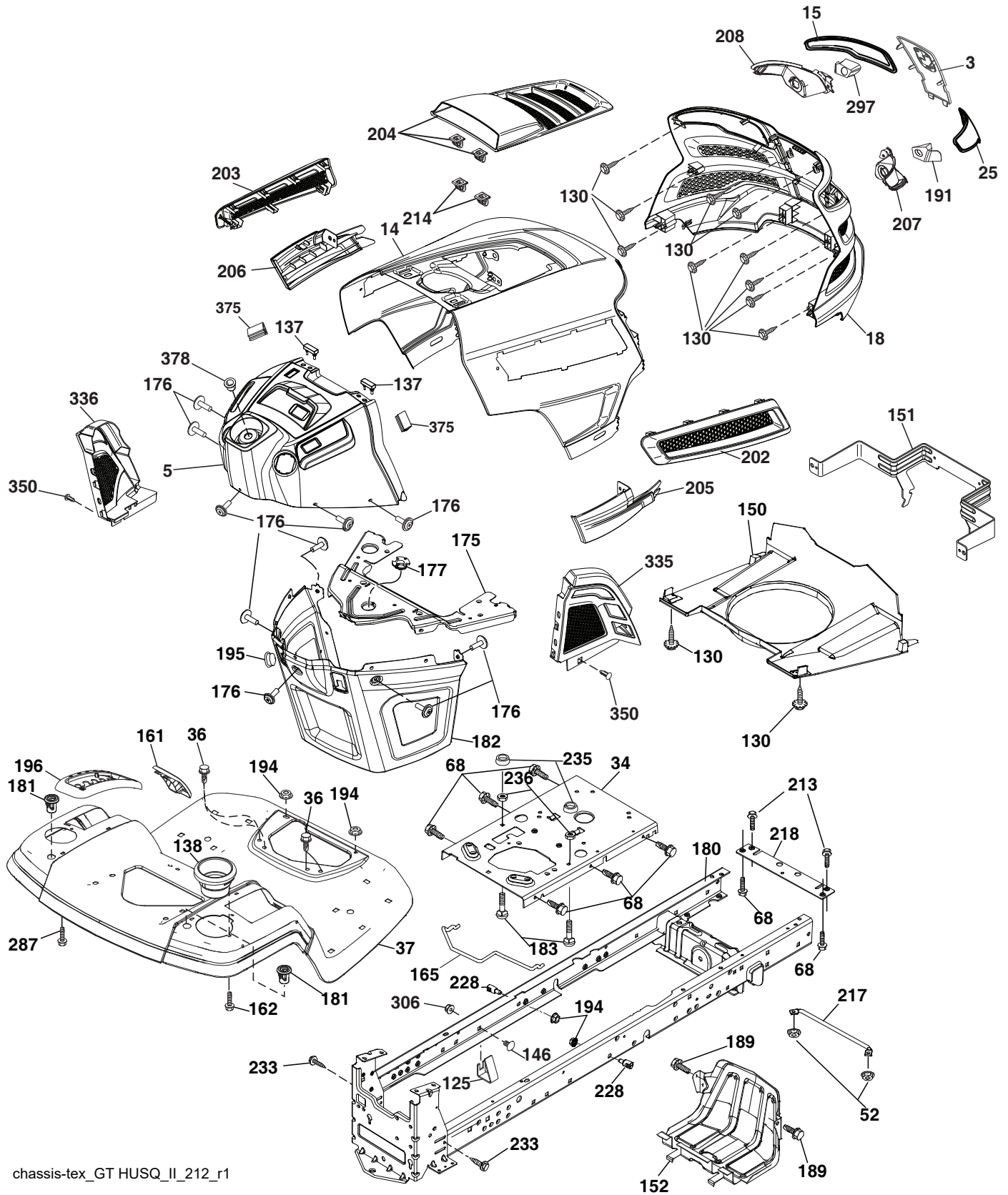


**TRACTOR - MODEL NO. YTH24V48 (96043027200), PRODUCT NO. 960 43 02-72
ELECTRICAL**

| KEY NO. | PART NO. | DESCRIPTION |
|----------------|-----------------|-----------------------------------|
| 1 | 532 16 34-65 | Battery |
| 2 | 874 76 04-12 | Bolt Hex Hd 1/4-20 unc x 3/4 |
| 8 | 532 41 41-26 | Tray Battery |
| 16 | 532 17 61-38 | Switch Interlock |
| 21 | 532 40 02-52 | Harness Socket Light |
| 22 | 532 00 41-52 | Bulb, Light #1156 |
| 24 | 585 55 56-01 | Cable Battery |
| 25 | 585 55 55-01 | Cable Starter |
| 26 | 532 17 51-58 | Fuse |
| 27 | 596 13 36-01 | Locknut, Keps. 1/4-20 |
| 28 | 532 41 65-88 | Cable Ground 21" Blk 6 Ga. |
| 29 | 532 40 15-45 | Switch Seat |
| 30 | 532 19 33-50 | Switch Ign |
| 33 | 532 41 19-33 | Key/Chain |
| 34 | 532 11 07-12 | Switch Light/Reset |
| 40 | 501 13 29-01 | Harness Ign. Dash |
| 41 | 817 72 04-08 | Screw Thd Cut 1/4-20 x 1/2 |
| 42 | 532 13 15-63 | Cover Terminal Red |
| 43 | 582 04 28-02 | Solenoid, W/Brass, Plunger, ZN |
| 46 | 594 91 91-01 | Hourmeter, Srvminder. Rect. |
| 50 | 582 10 76-02 | Switch, PTO. 8 Terminal, Std. Red |
| 55 | 817 06 05-12 | Screw Thdrol 5/16-18 x 3/4 |
| 71 | 532 19 42-76 | Harness Ign |
| 79 | 532 17 52-42 | Socket Asm. Bulb Twistlock |
| 90 | 532 43 53-95 | Cover Terminal Battery |
| 99 | 817 67 04-12 | Screw Hexwsh Thdrol 1/4-20 x 3/4 |
| 100 | 596 13 53-01 | Washer, Plain 9/32 x 7/8 Clr. Zn. |
| 102 | 532 40 44-54 | Harness Pigtail |
| 105 | 532 40 75-68 | Switch Reverse TT Pedal Control |

NOTE: All component dimensions given in U.S. inches
1 inch = 25.4 mm

**TRACTOR - MODEL NO. YTH24V48 (96043027200), PRODUCT NO. 960 43 02-72
CHASSIS**



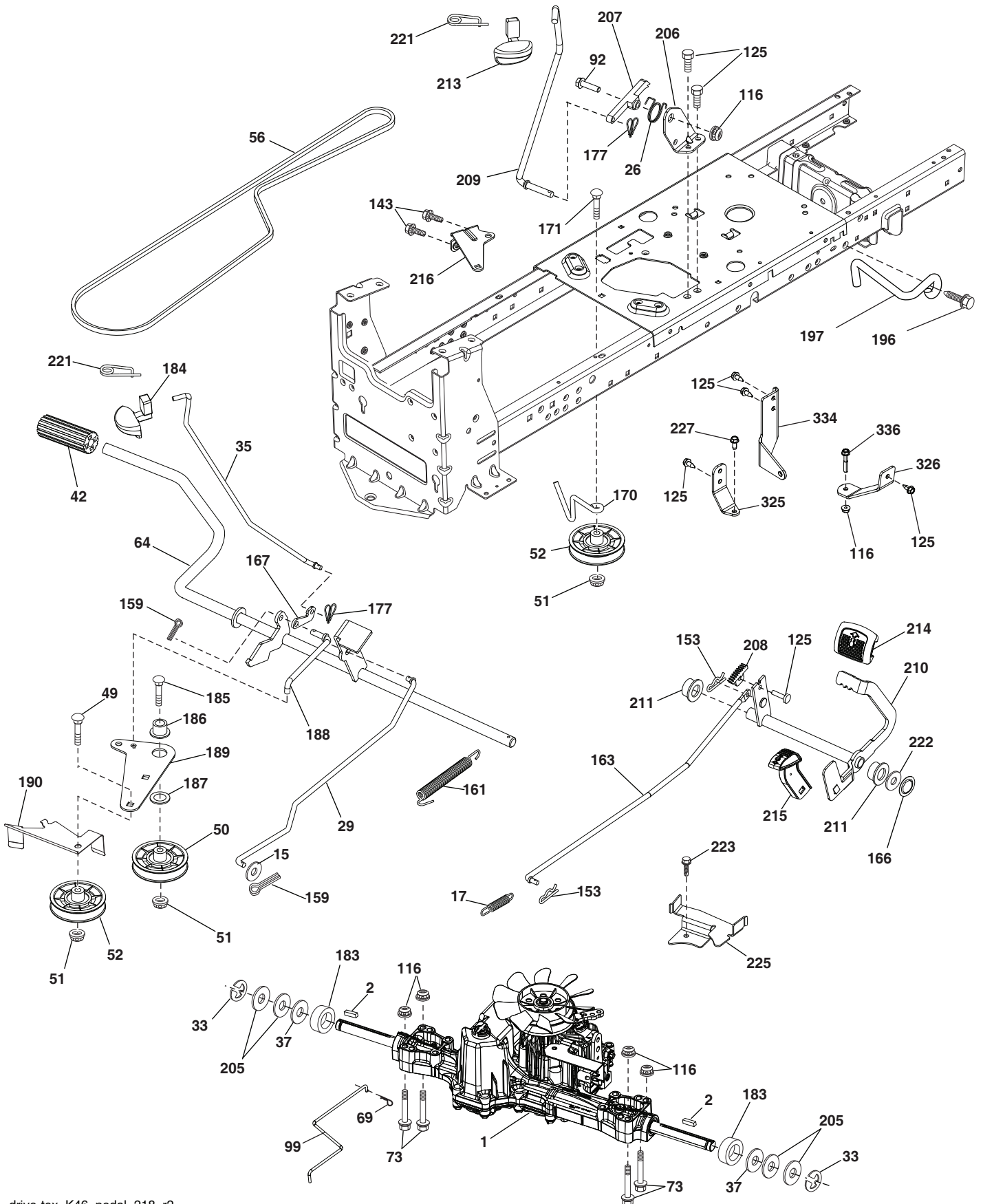
chassis-tex_GT HUSQ_II_212_r1

**TRACTOR - MODEL NO. YTH24V48 (96043027200), PRODUCT NO. 960 43 02-72
CHASSIS**

| KEY NO. | PART NO. | DESCRIPTION | KEY NO. | PART NO. | DESCRIPTION |
|----------------|-----------------|------------------------------------|----------------|-----------------|----------------------------------|
| 3 | 532 44 44-81 | Logo | 195 | 532 40 41-37 | Plug Hole Dash Lower |
| 5 | 590 74 88-21 | Dashboard, Upper, Asm. Gt2x498 | 196 | 532 43 96-47 | Console Asm Decklift |
| 14 | 532 44 11-77 | Hood | 202 | 532 43 97-28 | Vent Side Hood RH |
| 15 | 532 43 97-33 | Lens LH | 203 | 532 43 97-27 | Vent Side Hood LH |
| 18 | 597 24 72-01 | Grille, Asm. Gt. II, Incandescent | 204 | 587 48 58-01 | Vent, Top, Asm. |
| 25 | 532 44 33-85 | Lens RH | 205 | 532 43 97-30 | Trim Hood Side RH |
| 34 | 580 91 08-01 | Plate Engine | 206 | 532 43 97-29 | Trim Hood Side LH |
| 36 | 817 06 05-12 | Screw 5/16-18 x 3/4 | 207 | 587 46 48-01 | Headlight, Cup, Bezel, Hus, RH |
| 37 | 532 44 12-69 | Fender | 208 | 587 46 45-01 | Headlight, Cup, Bezel, Hus, LH |
| 52 | 596 04 05-01 | Nutlock, Hex. Prvl. 5/16-18 | 213 | 596 03 05-01 | Bolt, Hex. Hd. 5/16-18 unc x 3/4 |
| 68 | 596 03 07-01 | Screw, Hexagon, 5/16-18 x 1/2 | 214 | 532 19 91-45 | Clip Retainer Tinner |
| 125 | 581 68 48-01 | Clip Fuel Line | 217 | 532 40 91-67 | Rod Pivot |
| 130 | 596 32 17-01 | Screw, #10 x 0.750 BOS Thread | 218 | 532 19 63-95 | X-Piece Hood Stop |
| 137 | 532 40 75-90 | Bumper Dash | 228 | 593 82 40-01 | Stud, W/"D" Anti-rotation |
| 138 | 532 43 97-47 | Holder Cup | 233 | 532 19 65-39 | Bolt, Shoulder |
| 146 | 581 85 79-01 | Bolt RDHDSHT SQNK3/8-16x5/8 | 235 | 596 56 42-01 | Spacer, Fender, Clr. Zn |
| 150 | 532 43 97-74 | Air Duct | 236 | 873 93 05-00 | Nut Lock 5/16-18 unc |
| 151 | 532 43 66-70 | Bracket Pivot | 287 | 817 60 04-06 | Screw Hex Washhead 1/4-20 x 3/8 |
| 152 | 532 43 98-70 | Shield Browning | 297 | 532 43 74-56 | Insert Reflective LH |
| 161 | 532 43 97-81 | Window Fuel | 306 | 873 90 06-00 | Nut Lock Flg 3/8-16 unc |
| 162 | 596 13 41-01 | Screw, Hex. Tap. 1/4-15 x 1/2 | 335 | 532 44 82-04 | Cover Lower Dash Close Out RH |
| 165 | 532 19 68-26 | Support Tank Rear | 336 | 532 44 53-09 | Cover Lower Dash LH |
| 175 | 590 60 77-02 | Crossmember | 350 | 532 44 51-43 | Clip X-mas Tree |
| 176 | 532 40 07-76 | Screw 10-24 x 5/8 | 375 | 586 90 82-01 | Dash Clip-On Bumper |
| 177 | 532 19 52-28 | Bushing Steering | 378 | 590 84 98-01 | Bushing, Flange, Plastic |
| 180 | 532 19 54-57 | Chassis | | | |
| 181 | 532 43 97-46 | Bushing Fender | | | |
| 182 | 532 40 68-59 | Dash Lower | | | |
| 183 | 595 30 57-01 | Screw, Hexagon, 5/16-18 x 1-1/4 | | | |
| 189 | 817 00 05-12 | Screw 5/16-18 x 3/4 | | | |
| 191 | 532 43 74-55 | Insert Reflective RH | | | |
| 194 | 596 13 57-01 | Nutlock, Prvl, Torq. 5/16-18 x .68 | | | |

NOTE: All component dimensions given in U.S. inches
1 inch = 25.4 mm

TRACTOR - MODEL NO. YTH24V48 (96043027200), PRODUCT NO. 960 43 02-72 DRIVE

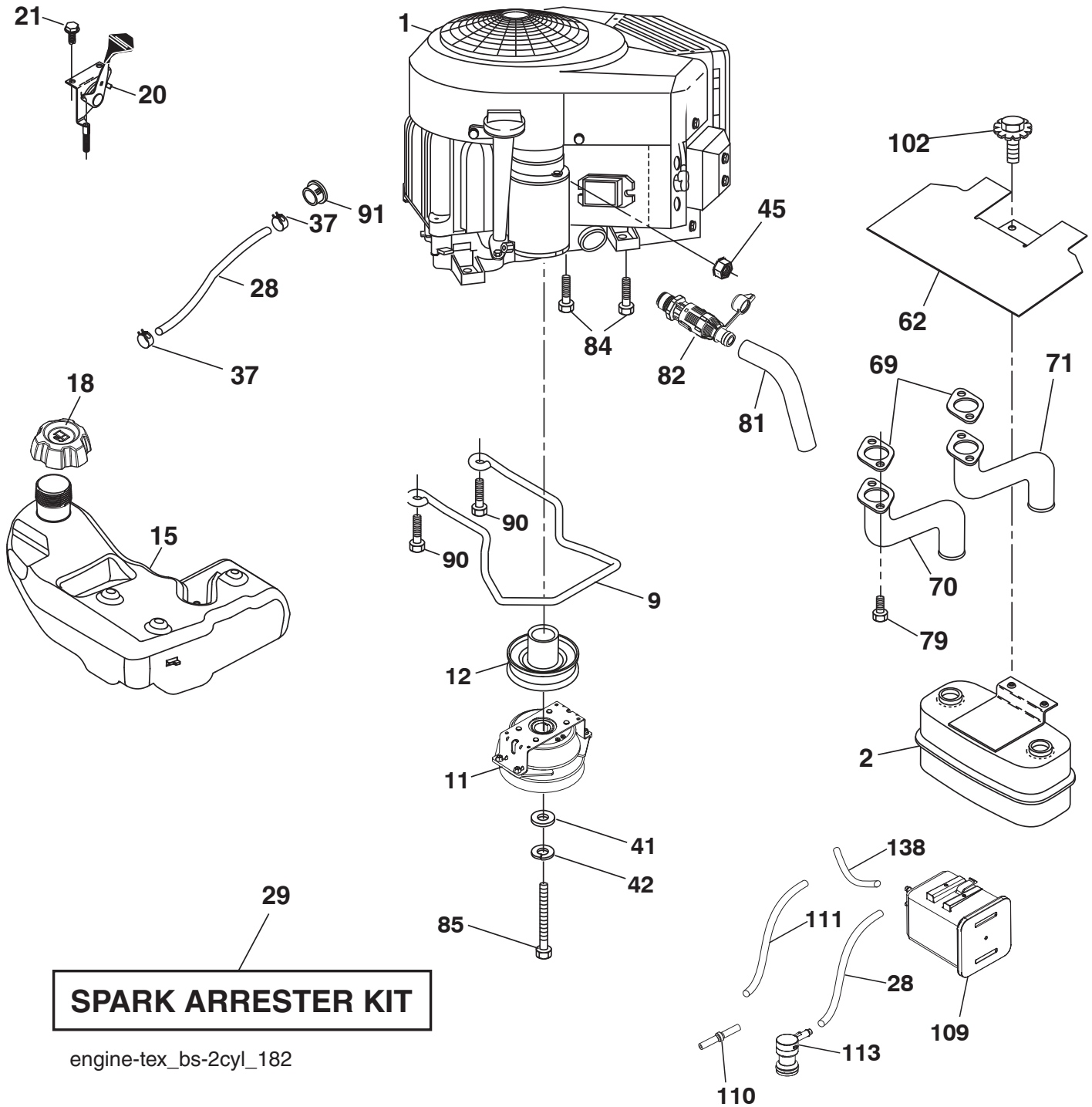


**TRACTOR - MODEL NO. YTH24V48 (96043027200), PRODUCT NO. 960 43 02-72
DRIVE**

| KEY NO. | PART NO. | DESCRIPTION | KEY NO. | PART NO. | DESCRIPTION |
|---------|--------------|--|---------|--------------|-------------------------------------|
| 1 | --- | Transaxle, TUFFTORQ K46 BT (426120) (Order parts from trans-axle manufacturer) | 184 | 587 65 37-01 | Handle Parking Brake |
| 2 | 532 12 35-83 | Key | 185 | 872 11 06-22 | Bolt Rdhd Sqnk 3/8-16 x 2-3/4 Gr. 5 |
| 15 | 596 56 53-01 | Washer, 3/8 x 0.08 in. St. Clr. Zinc | 186 | 532 19 43-21 | Spacer Retainer |
| 17 | 532 41 36-78 | Spring Brake | 187 | 596 13 55-01 | Washer, 13/32 x 2 Clear, Zinc |
| 26 | 532 19 96-79 | Spring Return Cruise | 188 | 582 21 70-01 | Link Clutch Ground Drive, Long |
| 29 | 532 40 38-06 | Rod, Brake | 189 | 532 19 43-17 | Bellcrank Ground Drive |
| 33 | 812 00 00-01 | Ring E | 190 | 532 19 43-18 | Keeper Bellcrank Ground Drive |
| 35 | 590 60 59-02 | Rod Brake Park | 196 | 817 00 06-16 | Screw 3/8-16 x 1 |
| 37 | 532 18 89-67 | Washer Hardened | 197 | 585 65 86-02 | Wireform, Clutch, AntiRotation |
| 42 | 532 00 88-83 | Cover, Pedal, Blk. Round | 205 | 532 12 17-48 | Washer |
| 49 | 596 13 62-01 | Bolt, Cup Head, 3/8-16 x 3/4 | 206 | 532 44 85-96 | Bracket Mount Cruise |
| 50 | 532 19 43-27 | Pulley Idler Flat | 207 | 587 03 14-02 | Latch, Cruisecontrol, Tex. Clr. |
| 51 | 873 90 06-00 | Lock Nut 3/8-16 | 208 | 596 56 41-01 | Gear |
| 52 | 532 19 43-26 | Idler V-Groove | 209 | 590 52 78-02 | Rod Control Cruise |
| 56 | 592 85 52-01 | Belt, Drive, Tex. K46 | 210 | 532 40 09-80 | Rocker Asm. Pedal |
| 64 | 532 19 78-65 | Shaft Asm. Pedal Brake Control | 211 | 532 12 01-83 | Bushing Brake Shaft |
| 69 | 532 42 33-03 | Hairpin Soft Zinc .059 x 1.125 | 213 | 532 40 31-19 | Knob Control Cruise |
| 73 | 596 13 65-01 | Bolt, Hex. Head, 5/16-18 x 1-1/2 | 214 | 532 42 12-63 | Pedal Forward |
| 92 | 595 30 57-01 | Screw, Hexagon, 5/16-18 x 1-1/4 | 215 | 586 60 65-02 | Pedal Reverse |
| 99 | 582 40 45-01 | Rod Bypass LT K46, K57 | 216 | 532 19 61-31 | Bracket Pulley Idler |
| 116 | 596 13 57-01 | Nutlock, Prvl. Torq. 5/16-18 x .68 | 221 | 532 40 31-87 | Retainer Spring Clip Handle |
| 125 | 817 00 05-12 | Screw 5/16-18 x 3/4 | 222 | 879 21 20-10 | Washer 21/32 x1-1/4 10 Ga. |
| 143 | 596 03 07-01 | Screw, Hexagon, 5/16-18 x 1/2 | 223 | 598 66 26-01 | Bolt, T45. 5/16-18 x .75 Hexhd Blk |
| 153 | 532 00 44-97 | Retainer, Spring, 1" Zinc/CAD | 225 | 532 40 33-19 | Keeper Belt Trans. |
| 159 | 596 02 95-01 | Pin, Cotter, 1/8 Dia. x 3/4 | 227 | 596 13 59-01 | Bolt, Hex. 5/16-18 x 3/4 Clr. Znc. |
| 161 | 532 10 57-09 | Spring Return Clutch | 325 | 585 66 85-02 | Bracket |
| 163 | 593 86 10-01 | Rod, Control, K46/K57R | 334 | 585 88 22-02 | Sway Rod Bracket |
| 166 | 532 42 91-64 | Nut Push | 336 | 587 25 96-02 | Bolt 5/16-18 x 1-3/4 Flanged |
| 167 | 532 40 52-57 | Latch Brake Parking | | | |
| 170 | 532 19 43-22 | Keeper Belt Centerspan | | | |
| 171 | 596 13 63-01 | Bolt, Cup Head , 3/8-16 x 2 | | | |
| 177 | 587 22 53-01 | Pin, Cotter, Locking, Bowtie, 1 In. | | | |
| 183 | 532 13 70-57 | Spacer Split | | | |

NOTE: All component dimensions given in U.S. inches
1 inch = 25.4 mm

**TRACTOR - MODEL NO. YTH24V48 (96043027200), PRODUCT NO. 960 43 02-72
ENGINE**



TRACTOR - MODEL NO. YTH24V48 (96043027200), PRODUCT NO. 960 43 02-72 ENGINE

| KEY NO. | PART NO. | DESCRIPTION |
|---------|--------------|---|
| 1 | ----- | Engine Briggs Model No. 44N877-0003-G1 (501259701) (Order parts from engine manufacturer.) |
| 2 | 589 81 87-01 | Muffler |
| 9 | 596 50 15-02 | Keeper, Belt, Engine, 4.25" Raw |
| 11 | 587 24 16-01 | Clutch Electric |
| 12 | 532 40 50-97 | Pulley Engine |
| 15 | 599 83 76-01 | Fuel, Tank, Asm. 3 Gal. Rr 2020 |
| 18 | 599 50 22-01 | Fuel, Cap, Asm. 3" W/Grease |
| 20 | 587 24 25-01 | Control Throttle/Choke |
| 21 | 596 32 17-01 | Screw, #10 x 0.750 BOS Thread |
| 28 | 532 40 11-35 | Fuel Line |
| 29 | 532 13 71-80 | Spark Arrester Kit |
| 37 | 532 12 34-87 | Clamp Hose |
| 41 | 532 12 61-97 | Washer 1-1/2 OD x 15/32 ID x .250 |
| 42 | 596 23 89-01 | Washer, 7/16 in. Clr. Zn |
| 45 | 596 13 36-01 | Locknut, Keps. 1/4-20 |
| 62 | 532 43 40-17 | Shield Heat Muffler |
| 69 | 532 16 53-91 | Gasket |
| 70 | 581 88 11-01 | Tube Exhaust LH |
| 71 | 581 88 10-01 | Tube Exhaust RH |
| 79 | 596 13 42-02 | Screw, Hex, Socket, 5/16-18 x 1 Clr. Zn |
| 81 | 532 14 84-56 | Tube Drain Oil Easy |
| 82 | 532 42 82-87 | Valve Oil Drain |
| 84 | 817 06 06-20 | Screw 3/8-16 x 1-1/4 |
| 85 | 501 60 66-01 | Bolt Hx 7/16-20 x 3.75 Gr. 5 |
| 90 | 817 00 06-16 | Screw 3/8-16 x 1 |
| 91 | 532 18 74-95 | Bushing |
| 102 | 817 00 05-12 | Screw 5/16-18 x 3/4 |
| 109 | 532 41 41-14 | Canister Carbon Filter |
| 110 | 532 41 41-18 | Valve Anti-Slosh |
| 111 | 596 94 15-01 | Tube, Purge, Fuel .1875" |
| 113 | 532 41 41-27 | Valve Slant Cartridge |
| 138 | 532 42 07-18 | Purge Line Rear |

NOTE: All component dimensions given in U.S. inches
1 inch = 25.4 mm

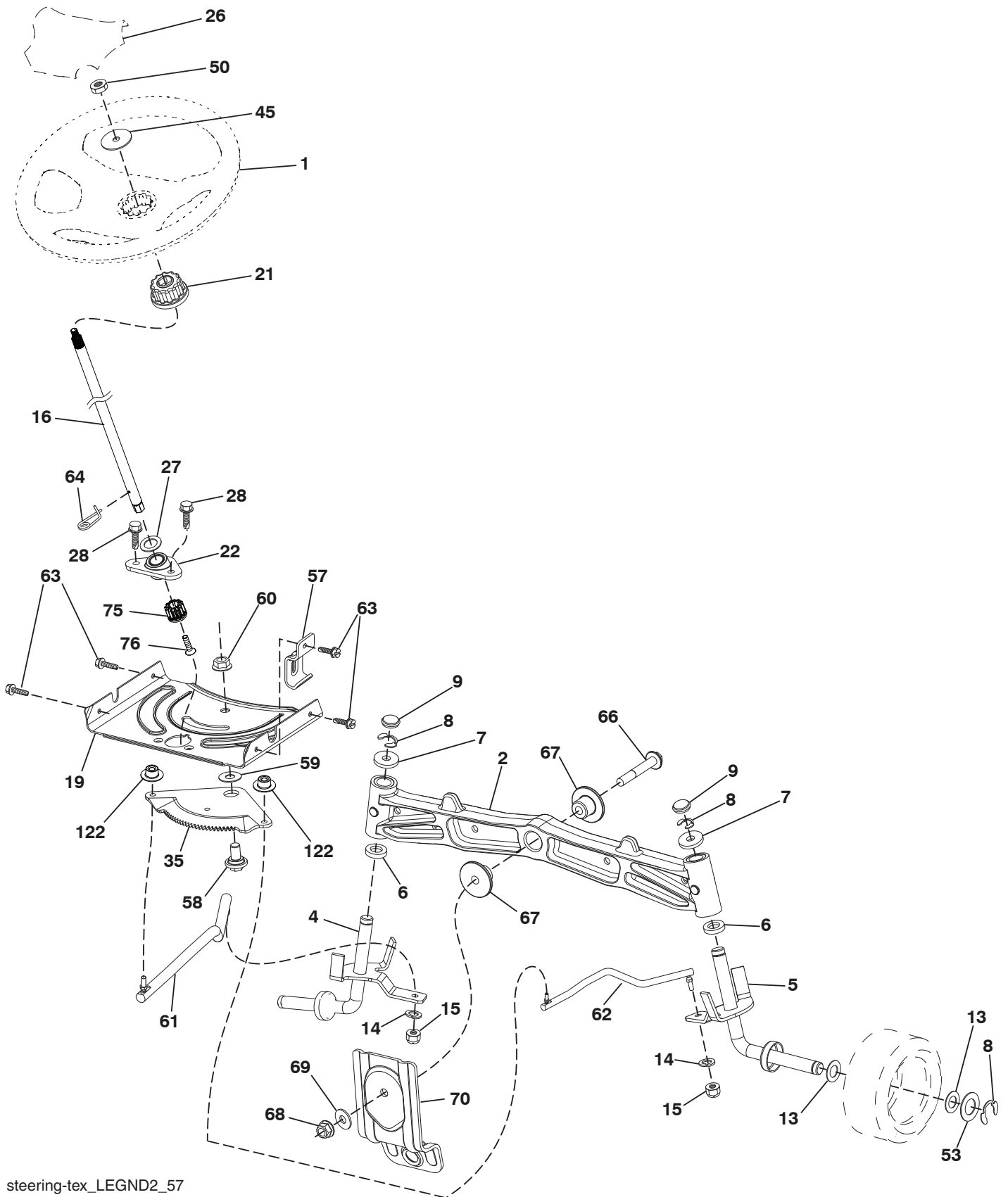
For engine service and replacement parts, call the toll free number for your engine manufacturer listed below:

Briggs & Stratton 1-800-233-3723

Engine Power Rating Information

The gross power rating for individual gas engine models is labeled in accordance with SAE (Society of Automotive Engineers) code J1940 (Small Engine Power & Torque Rating Procedure), and rating performance has been obtained and corrected in accordance with SAE J1995 (Revision 2002-05). Torque values are derived at 3060 RPM; horsepower values are derived at 3600 RPM. Actual gross engine power will be lower and is affected by, among other things, ambient operating conditions and engine-to-engine variability. Given both the wide array of products on which engines are placed and the variety of environmental issues applicable to operating the equipment, the gas engine will not develop the rated gross power when used in a given piece of power equipment (actual "on-site" or net power). This difference is due to a variety of factors including, but not limited to, accessories (air cleaner, exhaust, charging, cooling, carburetor, fuel pump, etc.), application limitations, ambient operating conditions (temperature, humidity, altitude), and engine-to-engine variability. Due to manufacturing and capacity limitations, Briggs & Stratton may substitute an engine of higher rated power for this Series engine.

TRACTOR - MODEL NO. YTH24V48 (96043027200), PRODUCT NO. 960 43 02-72
STEERING ASSEMBLY



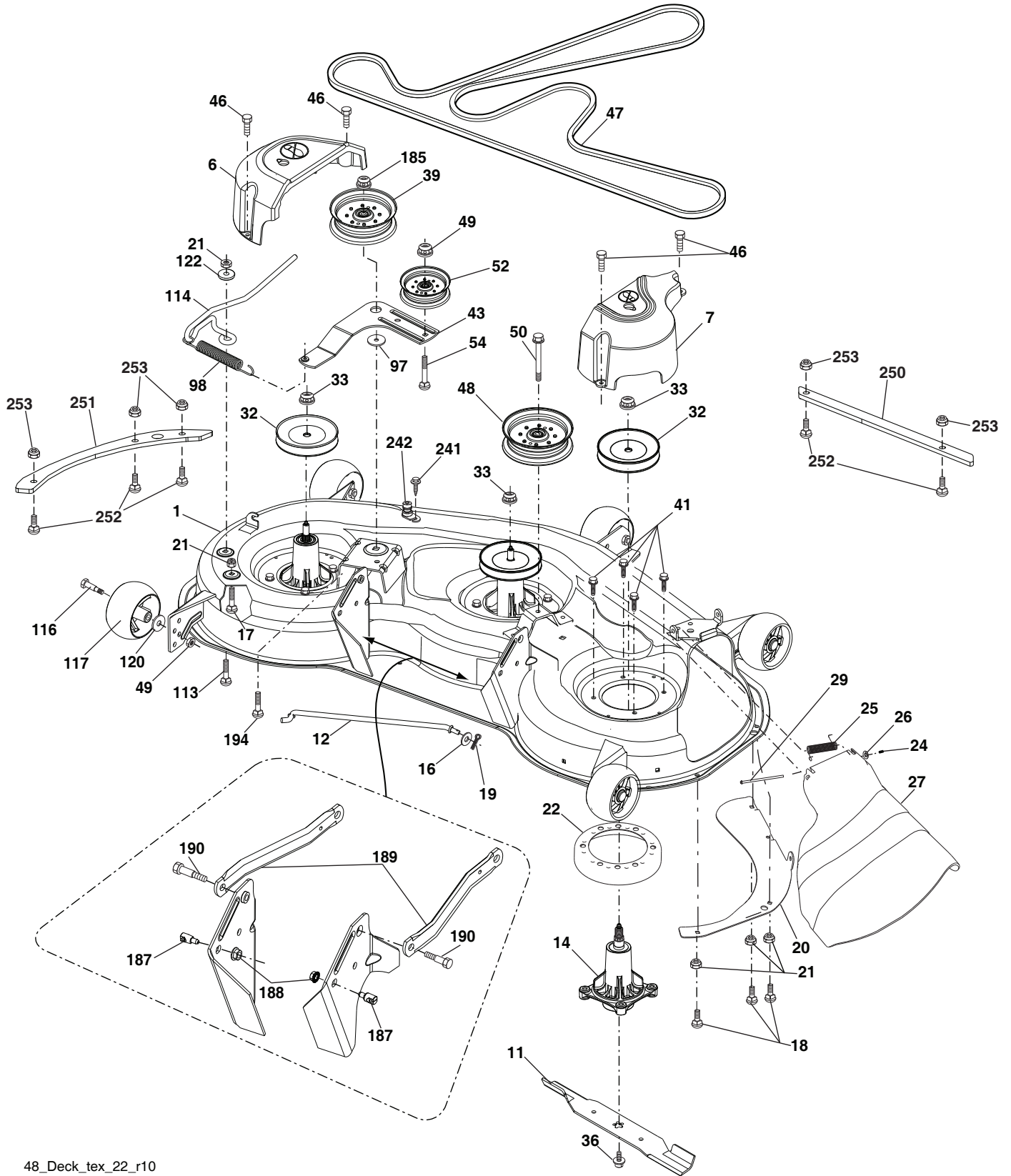
steering-tex_LEGND2_57

**TRACTOR - MODEL NO. YTH24V48 (96043027200), PRODUCT NO. 960 43 02-72
STEERING ASSEMBLY**

| KEY NO. | PART NO. | DESCRIPTION |
|----------------|-----------------|--------------------------------------|
| 1 | 532 43 97-40 | Wheel, Steering |
| 2 | 532 19 59-68 | Axle Asm., Front |
| 4 | 532 40 30-87 | Spindle Asm., LH |
| 5 | 532 40 30-88 | Spindle Asm., RH |
| 6 | 532 00 62-66 | Washer, Thrust, .75 x 1.230 |
| 7 | 532 12 17-48 | Washer 25/32 x 1-5/8 x 16 Ga. |
| 8 | 812 00 00-29 | Ring, Clip #T5304-75 |
| 9 | 532 12 12-32 | Cap, Spindle |
| 13 | 532 12 17-49 | Washer 25/32 x 1-1/4 x 16 Ga. |
| 14 | 596 23 87-01 | Washer, Spring, Lock, .381 ID x .680 |
| 15 | 873 54 06-00 | Nut, Crown Lock 3/8-24 unf |
| 16 | 587 01 60-02 | Steering Shaft |
| 19 | 532 19 47-29 | Plate Steering |
| 21 | 586 84 02-01 | Adapter Wheel Steering |
| 22 | 585 02 98-02 | Bearing |
| 26 | 532 43 97-43 | Insert, Wheel Steering |
| 27 | 596 93 34-01 | Washer, Plain |
| 28 | 817 00 06-12 | Screw 3/8-16 x 3/4 |
| 35 | 532 19 47-32 | Gear, Sector Plate |
| 45 | 587 01 64-01 | Washer 3/8 ID 2-3/8 OD 12 Ga. PLTD |
| 50 | 873 90 06-00 | Nut Lock Flg 3/8-16 unc |
| 53 | 532 18 89-67 | Washer Hardened .793 x 1.637 x .060 |
| 57 | 532 19 72-46 | Bracket Upstop |
| 58 | 532 19 47-47 | Bolt Shoulder Sector Pivot CFM |
| 59 | 532 19 47-48 | Washer Thrust Sector Steering |
| 60 | 873 97 10-00 | Nut Flange Lock 5/8-11 |
| 61 | 532 19 47-40 | Draglink, LH |
| 62 | 532 19 47-41 | Draglink, RH |
| 63 | 817 00 05-12 | Screw 5/16-18 x 3/4 |
| 64 | 532 19 98-49 | Retainer Clip Spring Steering |
| 66 | 871 02 07-48 | Bolt Hex Fghd 7/16-14 x 3 Serr |
| 67 | 532 19 47-37 | Bushing PM Front Axle |
| 68 | 873 90 07-00 | Nut Lock Flange 7/16-14 Gr. 5 |
| 69 | 532 19 91-62 | Washer 1.5 x .505 x .118 |
| 70 | 585 33 88-01 | Bracket Deck Susp. Front |
| 75 | 580 68 37-01 | Pinion |
| 76 | 580 68 36-01 | Screw Head Sock |
| 122 | 532 44 49-62 | Cap Gear Sector |

NOTE: All component dimensions given in U.S. inches
1 inch = 25.4 mm

TRACTOR - MODEL NO. YTH24V48 (96043027200), PRODUCT NO. 960 43 02-72
MOWER DECK



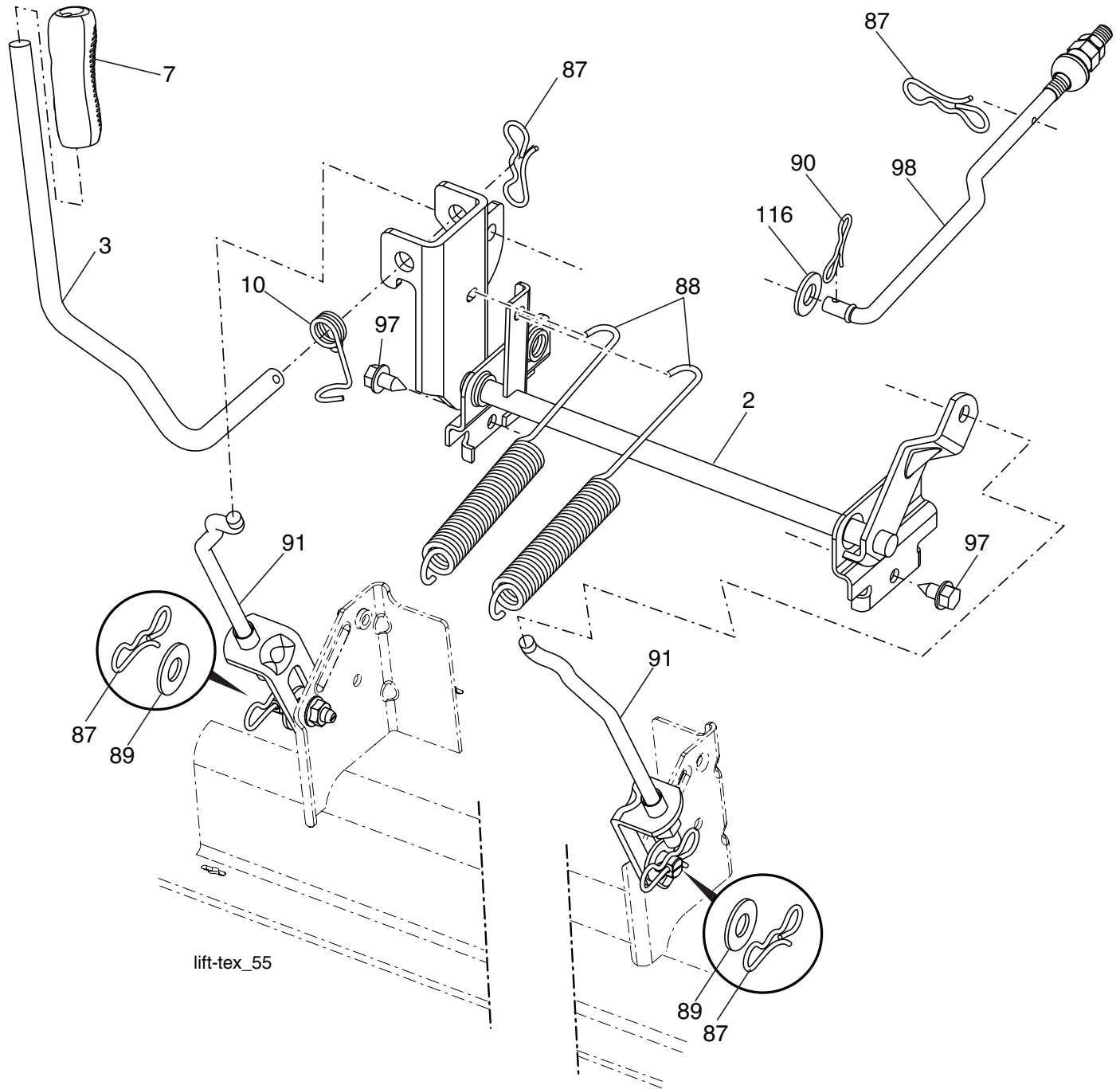
48_Deck_tex_22_r10

**TRACTOR - MODEL NO. YTH24V48 (96043027200), PRODUCT NO. 960 43 02-72
MOWER DECK**

| KEY PART NO. | PART NO. | DESCRIPTION | KEY PART NO. | PART NO. | DESCRIPTION |
|---------------------|-----------------|--|---------------------|-----------------|------------------------------------|
| 1 | 532 41 82-24 | Kit, Svc. Deck, Weldment 48B197216X668 | 97 | 532 17 85-15 | Washer Hardened |
| 6 | 532 19 72-48 | Cover Mandrel LH | 98 | 532 19 61-05 | Spring Drive |
| 7 | 587 45 24-01 | Cover Mandrel RH | 113 | 596 43 57-01 | Bolt, Sqr. 5/16-18 x 1.02 |
| 11 | 532 18 00-54 | Blade High Lift | 114 | 532 19 74-51 | Rod Tension Relief |
| 12 | 532 40 48-51 | Rod Anti-Sway | 116 | 596 43 44-04 | Bolt, Shoulder, 3/8-16 x 3-5/8" |
| 14 | 587 82 03-01 | Kit, Mandrel, Greaseable, Tall (includes mandrel shaft and bolts) | 117 | 589 52 73-01 | Gauge Wheel |
| 16 | 596 13 32-01 | Washer 13/32 x 13/16 x 12 Ga. | 120 | 596 13 49-01 | Washer, Plain 3/8 x 7/8 |
| 17 | 872 11 05-05 | Bolt 5/16-18 x 5/8 | 122 | 532 18 75-57 | Bushing Tension Relief |
| 18 | 596 13 64-01 | Bolt, Cup Head 5/16-18 x 5/8 | 185 | 873 90 07-00 | Nut Lock Flange 7/16-14 Gr. 5 |
| 19 | 532 19 42-08 | Pin Cotter 5/16 Bow Tie Lock | 187 | 593 82 40-01 | Stud, W/"D" Anti-rotation |
| 20 | 532 17 43-78 | Baffle Vortex | 188 | 596 13 57-01 | Nutlock, Prvl. Torq. 5/16-18 x .68 |
| 21 | 596 04 05-01 | Nut, Lock, Hex. Prvl 5/16-18 | 189 | 587 14 05-02 | Arm Susp. Mower Rear |
| 22 | 532 17 44-93 | Stripper Mandrel | 190 | 532 19 65-39 | Bolt Shoulder |
| 24 | 532 10 53-04 | Cap Sleeve | 194 | 874 49 07-36 | Bolt 7/16 - 24 |
| 25 | 532 17 81-02 | Spring, Torsion | 241 | 532 15 29-27 | Screw TT #10-32.5 3/8 Flange |
| 26 | 532 11 04-52 | Nut, Push | 242 | 532 41 55-98 | Port, Washout |
| 27 | 532 18 17-07 | Deflector Shield | 250 | 585 31 80-05 | Plate Reinforcement Front |
| 29 | 595 29 70-01 | Rod, Hinge | 251 | 585 32 24-05 | Plate Reinforcement Side Bolt |
| 32 | 532 15 35-32 | Pulley, Mandrel | 252 | 592 80 78-01 | Bolt 1/4-20 x 1" Zn, Square, Neck |
| 33 | 596 13 48-01 | Nut, Hex. 9/16-18 x 1.010 | 253 | 873 90 04-00 | Nut Hx Flg 1/4-20 unc |
| 36 | 584 30 93-01 | Screw Sems 7/16-20 x 1 Hx Hd | -- | 532 41 64-05 | Coupling Quick Connect |
| 39 | 532 19 73-80 | Pulley, Idler, 4.50 Hub | -- | 532 41 82-23 | Replacement Mower, Complete |
| 41 | 584 95 39-01 | Bolt Hx Wshr. Hd 3/16-18 x 1.19 | | | |
| 43 | 532 19 60-65 | Arm, Idler | | | |
| 46 | 532 13 77-29 | Screw, Thdroll. 1/4-20 x 5/8 | | | |
| 47 | 593 77 34-01 | Belt, Deckdrive, 48" | | | |
| 48 | 532 19 73-79 | Pulley Idler 4.50 RAW | | | |
| 49 | 873 90 06-00 | Nut, Lock Flg. 3/8-16 unc | | | |
| 50 | 817 49 06-36 | Screw TT 3/8-16 x 2-1/4 | | | |
| 52 | 532 19 31-97 | Pulley Idler 48" Primary | | | |
| 54 | 596 13 61-01 | Bolt, Cup Head, 3/8-16 x 1-1/2 | | | |

NOTE: All component dimensions given in U.S. inches
1 inch = 25.4 mm

**TRACTOR - MODEL NO. YTH24V48 (96043027200), PRODUCT NO. 960 43 02-72
MOWER LIFT**

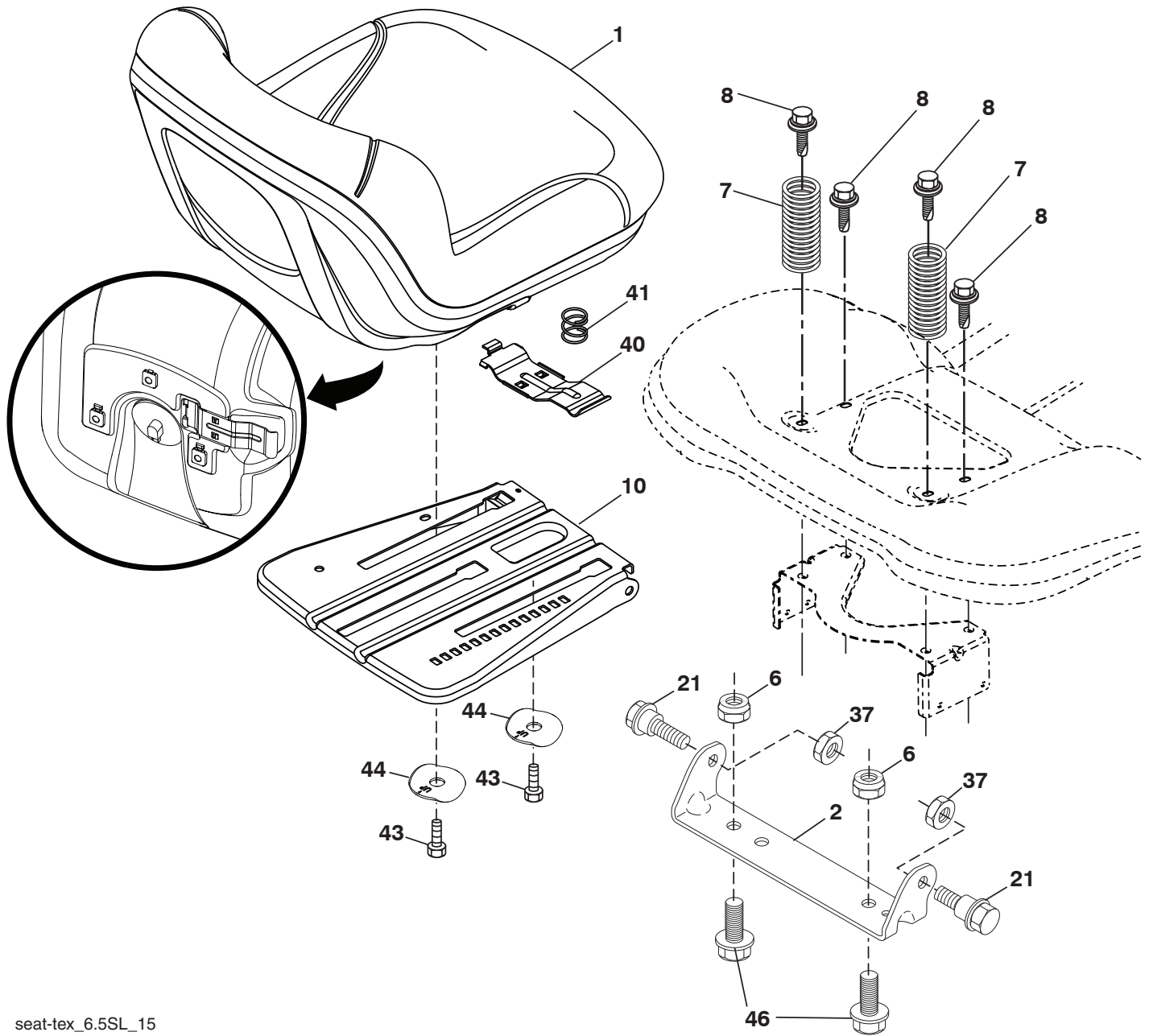


| KEY NO. | PART NO. | DESCRIPTION |
|---------|--------------|----------------------------------|
| 2 | 532 42 20-27 | Shaft Asm. Cross, Lift |
| 3 | 594 01 80-01 | Handle, Liftlever, Lt, Std, Wide |
| 7 | 580 96 23-01 | Grip, Lever |
| 10 | 532 19 63-14 | Spring Torsion |
| 87 | 532 19 42-09 | Pin Cotter 7/16 Bow Tie Lock |
| 88 | 532 41 07-10 | Spring Lift Assist |
| 89 | 819 19 19-12 | Washer Clear Zinc |
| 90 | 532 19 42-08 | Pin Cotter 5/16 Bow Tie Lock |

| KEY NO. | PART NO. | DESCRIPTION |
|---------|--------------|---|
| 91 | 589 46 48-03 | Link, Assy. Lift, Rear |
| 97 | 817 00 06-12 | Screw 3/8-16 x .75 |
| 98 | 581 50 69-02 | Link, Assy. Mwr. Front, Suspension, 9.820 |
| 116 | 594 97 65-01 | Washer, Round 15/32x 15/16x .065 |

NOTE: All component dimensions given in U.S. inches
1 inch = 25.4 mm

**TRACTOR - MODEL NO. YTH24V48 (96043027200), PRODUCT NO. 960 43 02-72
SEAT ASSEMBLY**



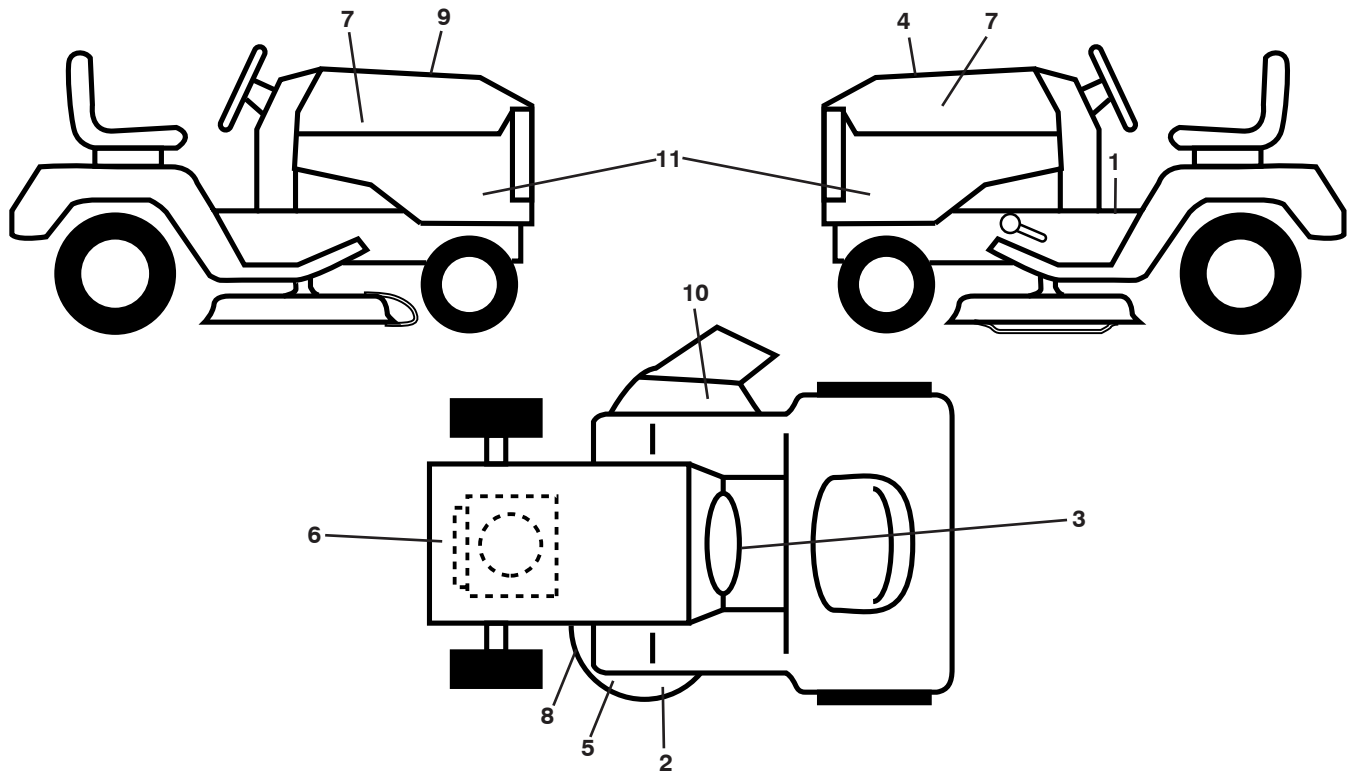
seat-tex_6.5SL_15

| KEY NO. | PART NO. | DESCRIPTION |
|---------|--------------|--------------------------------|
| 1 | 532 43 98-22 | Seat |
| 2 | 532 18 01-66 | Bracket Pivot Fender |
| 6 | 873 80 06-00 | Nut, Lock w/Ins. 3/8-16 unc |
| 7 | 589 48 35-01 | Spring, Seat Cprsn |
| 8 | 532 17 18-77 | Bolt 5/16-18 unc x 3/4 w/Sems |
| 10 | 596 65 74-02 | Plate, Seat, Slide, 3Pt. Ms431 |
| 21 | 587 90 78-01 | Bolt, Shoulder 5/16-18 x 5/8 |
| 37 | 596 58 37-02 | Nut 5/16-18 Nyloc. Blk. Zinc |

| KEY NO. | PART NO. | DESCRIPTION |
|---------|--------------|-----------------------------------|
| 40 | 595 08 81-02 | Handle, Seat, Slide, E-Dip, x 431 |
| 41 | 532 19 82-00 | Spring Latch Seat |
| 43 | 874 76 06-12 | Bolt 3/8-16 x 3/4 |
| 44 | 501 05 18-01 | Washer Winged |
| 46 | 588 09 04-01 | Bolt 3/8-16 x 1, 1.25 OD Wshr |

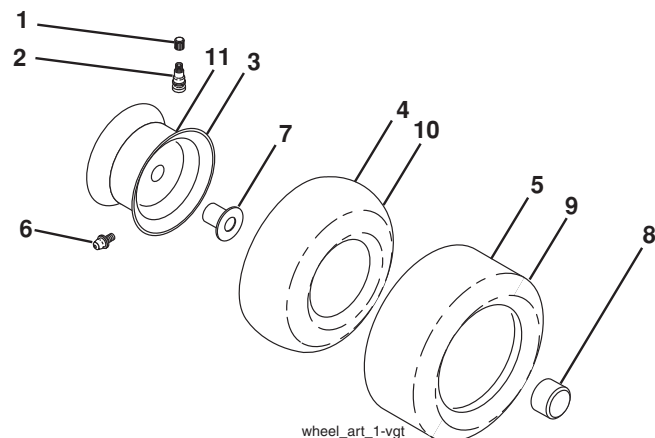
NOTE: All component dimensions given in U.S. inches
1 inch = 25.4 mm

**TRACTOR - MODEL NO. YTH24V48 (96043027200), PRODUCT NO. 960 43 02-72
DECALS**



| KEY NO. | PART NO. | DESCRIPTION | KEY NO. | PART NO. | DESCRIPTION |
|---------|--------------|-------------------------------|---------|--------------|---|
| 1 | 581 57 89-01 | Decal, Warning | 11 | 585 93 80-01 | Decal, Panel Side |
| 2 | 585 71 44-01 | Decal, Pop Armored | -- | 581 72 48-01 | Decal, Bypass |
| 3 | 596 02 42-01 | Decal, Warning Spark Arrestor | -- | 532 43 96-81 | Pad, Footrest, LH |
| 4 | 592 94 61-01 | Decal, Replacement | -- | 532 43 96-82 | Pad, Footrest, RH |
| 5 | 581 72 45-02 | Decal, Caution | -- | 115 95 96-49 | Manual, Operator's (English/Spanish) |
| 6 | 585 93 73-01 | Decal, Engine H.P. | -- | 115 95 97-49 | Manual, Parts (English/Spanish) |
| 7 | 501 13 14-01 | Decal, Hood Logo | -- | 587 71 00-26 | Manual, Quick Start Guide (English/Spanish) |
| 8 | 581 58 00-02 | Decal, Mower Sch. | | | |
| 9 | 532 42 38-29 | Decal, Cust. Resp. | | | |
| 10 | 584 90 46-01 | Decal, Deflect. Warning | | | |

WHEELS AND TIRES



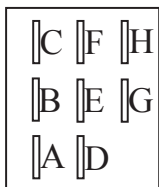
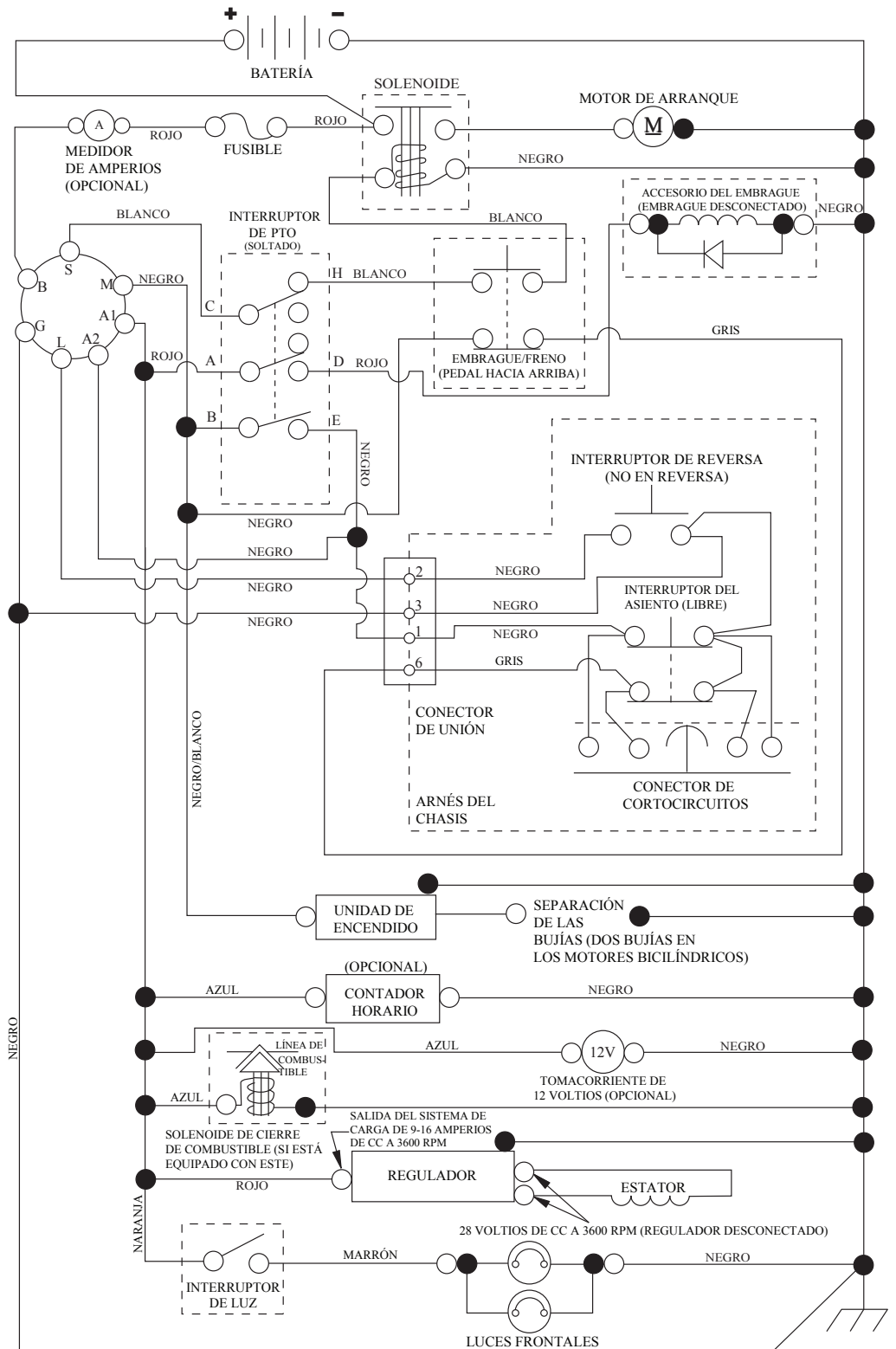
| KEY NO. | PART NO. | DESCRIPTION |
|---------|--------------|---------------------------------|
| 1 | 532 05 91-92 | Cap, Valve, Tire |
| 2 | 532 06 51-39 | Stem, Valve |
| 3 | 532 13 83-36 | Rim Assembly, Front |
| 4 | 532 05 99-04 | Tube, Front (Service Item Only) |
| 5 | 532 10 62-22 | Tire, Front 15 x 6-6 |
| 6 | 532 00 02-78 | Fitting, Grease |
| 7 | 532 00 90-40 | Bearing, Flange |
| 8 | 532 17 50-39 | Cap, Axle |
| 9 | 532 13 84-68 | Tire, Rear 20 x 8-8 |
| 10 | 532 00 71-52 | Tube, Rear (Service Item Only) |
| 11 | 532 13 83-37 | Rim Assembly, Rear |
| -- | 532 14 43-34 | Sealant, Tire (10 oz. Tube) |

NOTE: All component dimensions given in U.S. inches
1 inch = 25.4 mm

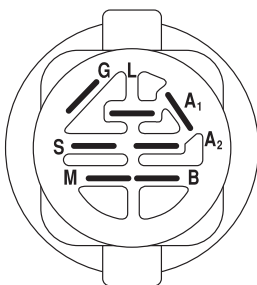
TRACTOR - MODELO NO. YTH24V48 (96043027200), PRODUCT NO. 960 43 02-72

DIAGRAMA

SCH12-s

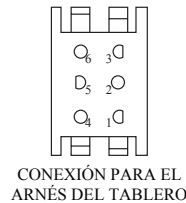


INTERRUPTOR DE PTO (CARA DE ACOPLAMIENTO)



INTERRUPTOR DE ENCENDIDO

| POSICIÓN | CIRCUITO «MARCA» |
|--------------------------------|------------------|
| APAGADO | M+G+A1 |
| PONER EN FUNCIONAMIENTO/ANULAR | B+A1 |
| PONER EN FUNCIONAMIENTO | B+A1 L+A2 |
| ARRANCAR | B + S + A1 |

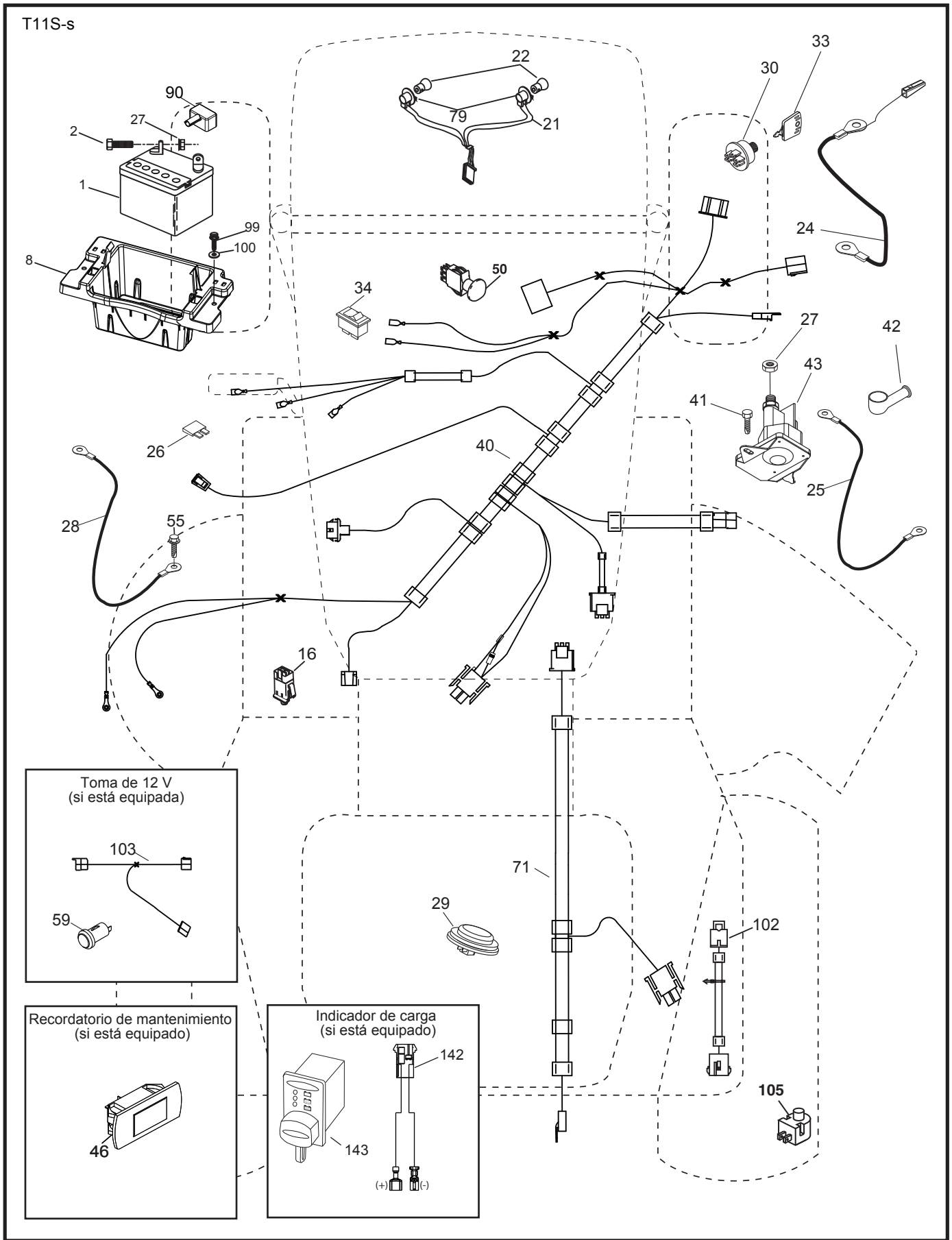


NOTA SOBRE LAS ABRAZADERAS DE AISLAMIENTO DEL CABLEADO: SI SE QUITAN LAS ABRAZADERAS DE AISLAMIENTO DEL CABLEADO PARA HACER EL MANTENIMIENTO DE LA UNIDAD, SE LAS DEBERÁ INSTALAR NUEVAMENTE PARA PROTEGER EL CABLEADO ADECUADAMENTE.

● CONEXIONES NO DESMONTABLES
○ CONEXIONES DESMONTABLES

TRACTOR - MODELO NO. YTH24V48 (96043027200), PRODUCT NO. 960 43 02-72

DIAGRAMA ELÉCTRICO

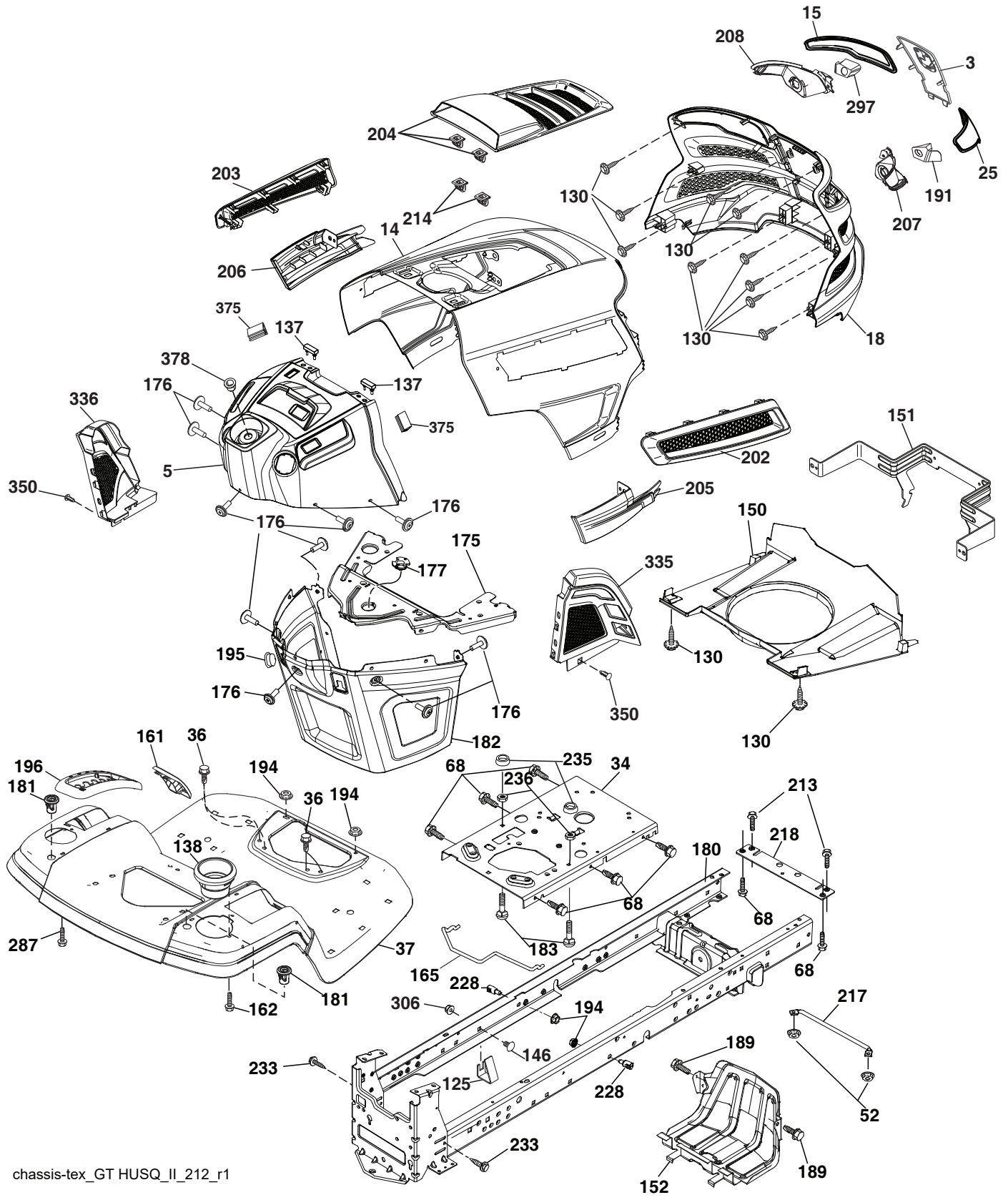


TRACTOR - MODELO NO. YTH24V48 (96043027200), PRODUCT NO. 960 43 02-72
DIAGRAMA ELÉCTRICO

| CÓDIGO No. | PIEZA No. | DESCRIPCIÓN |
|-------------------|------------------|---|
| 1 | 532 16 34-65 | Batería |
| 2 | 874 76 04-12 | Perno de cabeza hexagonal de 1/4-20 x 3/4 |
| 8 | 532 41 41-26 | Puerta de la caja de la batería |
| 16 | 532 17 61-38 | Interruptor corta corriente a presión |
| 21 | 532 40 02-52 | Cableado del enchufe para la luz |
| 22 | 532 00 41-52 | Bombilla de luz #1156 |
| 24 | 585 55 56-01 | Cable |
| 25 | 585 55 55-01 | Cable |
| 26 | 532 17 51-58 | Fusible |
| 27 | 596 13 36-01 | Tuerca de presión de 1/4-20 |
| 28 | 532 41 65-88 | Cable a tierra 21" negro Calibre 6 |
| 29 | 532 40 15-45 | Interruptor del asiento |
| 30 | 532 19 33-50 | Interruptor de encendido |
| 33 | 532 41 19-33 | Llave/cadena |
| 34 | 532 11 07-12 | Interruptor de luz/de restauración |
| 40 | 501 13 29-01 | Cableado del tablero de encendido |
| 41 | 817 72 04-08 | Tornillo |
| 42 | 532 13 15-63 | Cubierta de la terminal, rojo |
| 43 | 582 04 28-02 | Solenoides con émbolo de latón |
| 46 | 594 91 91-01 | Indicador de con contador horario |
| 50 | 582 10 76-02 | Interruptor PTO |
| 55 | 817 06 05-12 | Tornillo 5/16-18 x 3/4 |
| 71 | 532 19 42-76 | Cableado del tablero |
| 79 | 532 17 52-42 | Enchufe de cierre por torsión del ensamble de la bombilla |
| 90 | 532 43 53-95 | Tapa de los bornes de la batería |
| 99 | 817 67 04-12 | Tornillo 1/4-20 x 3/4 |
| 100 | 596 13 53-01 | Arandela de 9/32 x 7/8 |
| 102 | 532 40 44-54 | Cableado |
| 105 | 532 40 75-68 | Interruptor para retroceder TT control del pedal |

NOTA: Las dimensiones de todos los componentes están expresadas en pulgadas americanas. 1 pulgada = 25,4 mm

TRACTOR - MODELO NO. YTH24V48 (96043027200), PRODUCT NO. 960 43 02-72
CHASIS



chassis-tex_GT HUSQ_II_212_r1

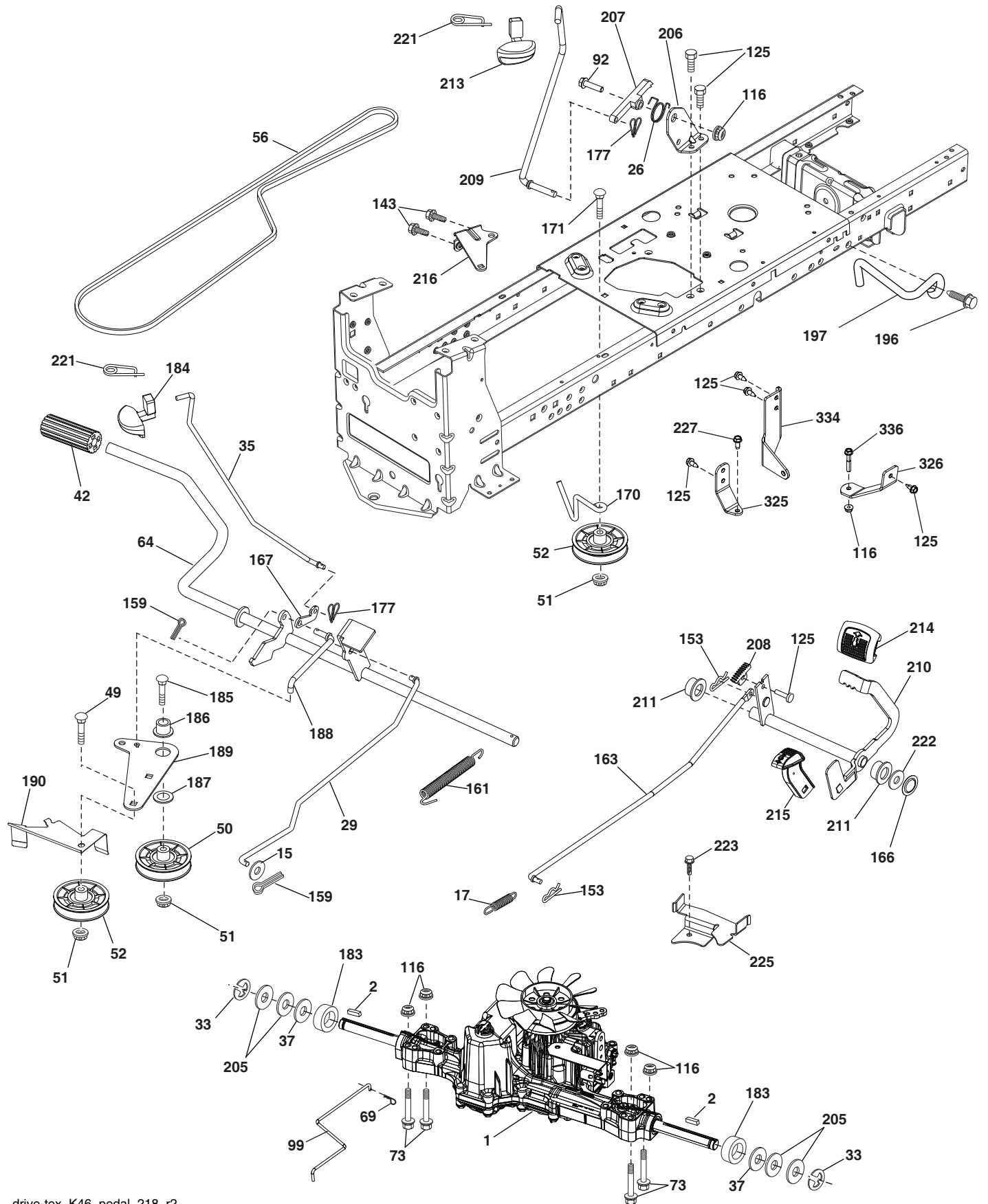
TRACTOR - MODELO NO. YTH24V48 (96043027200), PRODUCT NO. 960 43 02-72

CHASIS

| CÓDIGO No. | PIEZA No. | DESCRIPCIÓN | CÓDIGO No. | PIEZA No. | DESCRIPCIÓN |
|------------|--------------|---|------------|--------------|--|
| 3 | 532 44 44-81 | Logo | 195 | 532 40 41-37 | Tapón |
| 5 | 590 74 88-21 | Tablero del tractor el montaje superior | 196 | 532 43 96-47 | Ensamble de la consola de la plataforma de elevación |
| 14 | 532 44 11-77 | Capota | 202 | 532 43 97-28 | Salida de Ventilación (LD) |
| 15 | 532 43 97-33 | Lente izquierdo de la parrilla | 203 | 532 43 97-27 | Salida de Ventilación (LI) |
| 18 | 597 24 72-01 | Parrilla | 204 | 587 48 58-01 | Salida de Ventilación superior |
| 25 | 532 44 33-85 | Lente derecho de la parrilla | 205 | 532 43 97-30 | Camisa de Capota (LD) |
| 34 | 580 91 08-01 | Chapa Motor | 206 | 532 43 97-29 | Camisa de Capota (LI) |
| 36 | 817 06 05-12 | Tornillo de 5/16-18 x 3/4 | 207 | 587 46 48-01 | Bisel derecho (LD) |
| 37 | 532 44 12-69 | Guardabarros | 208 | 587 46 45-01 | Bisel izquierdo (LI) |
| 52 | 596 04 05-01 | Tuerca de presión de 5/16-18 x 18 | 213 | 596 03 05-01 | Perno de 5/16-18 unc x 3/4 |
| 68 | 596 03 07-01 | Tornillo de 5/16-18 x 1/2 | 214 | 532 19 91-45 | Cierre |
| 125 | 581 68 48-01 | Línea de combustible cierre | 217 | 532 40 91-67 | Varilla giratoria |
| 130 | 596 32 17-01 | Tornillo de #10 x 0.750 | 218 | 532 19 63-95 | Tope |
| 137 | 532 40 75-90 | Cubierta Tablero | 228 | 593 82 40-01 | Perno prisionero con anti rotación |
| 138 | 532 43 97-47 | Tenante de tasse | 233 | 532 19 65-39 | Tornillo |
| 146 | 581 85 79-01 | Perno 3/8-16 x 5/8 | 235 | 596 56 42-01 | Separador del guardabarros |
| 150 | 532 43 97-74 | Cubierta térmica del conducto | 236 | 873 93 05-00 | Tuerca de presión 5/16-18 unc |
| 151 | 532 43 66-70 | Soporte pivotante | 287 | 817 60 04-06 | Tornillo 1/4 - 20 x 3/8 |
| 152 | 532 43 98-70 | Protector contra oscurecimiento | 297 | 532 43 74-56 | Parrilla reflectora LI |
| 161 | 532 43 97-81 | Ventana de combustible | 306 | 879 90 06-00 | Tuerca de presión de 3/8-16 unc |
| 162 | 596 13 41-01 | Tornillo de 1/4-15 x 1/2 | 335 | 532 44 82-04 | Cubierta LD |
| 165 | 532 19 68-26 | Tanque de combustible, trasero | 336 | 532 44 53-09 | Cubierta LI |
| 175 | 590 60 77-02 | Travesaño | 350 | 532 44 51-43 | Cierre del árbol de navidad |
| 176 | 532 40 07-76 | Tornillo 10-24 x 5/8 | 375 | 586 90 82-01 | Cubierta Capota |
| 177 | 532 19 52-28 | Buje de dirección | 378 | 590 84 98-01 | Buje de brida, plástico |
| 180 | 532 19 54-57 | Chasis | | | |
| 181 | 532 43 97-46 | Buje | | | |
| 182 | 532 40 68-59 | Tablero inferior | | | |
| 183 | 595 30 57-01 | Tornillo de 5/16-18 x 1-1/4 | | | |
| 189 | 817 00 05-12 | Tornillo 5/16-18 x 3/4 | | | |
| 191 | 532 43 74-55 | Parrilla reflectora LD | | | |
| 194 | 596 13 57-01 | Tuerca de presión de 5/16-18 x .68 | | | |

NOTA: Las dimensiones de todos los componentes están expresadas en pulgadas americanas. 1 pulgada = 25,4 mm

TRACTOR - MODELO NO. YTH24V48 (96043027200), PRODUCT NO. 960 43 02-72
TRANSMISIÓN



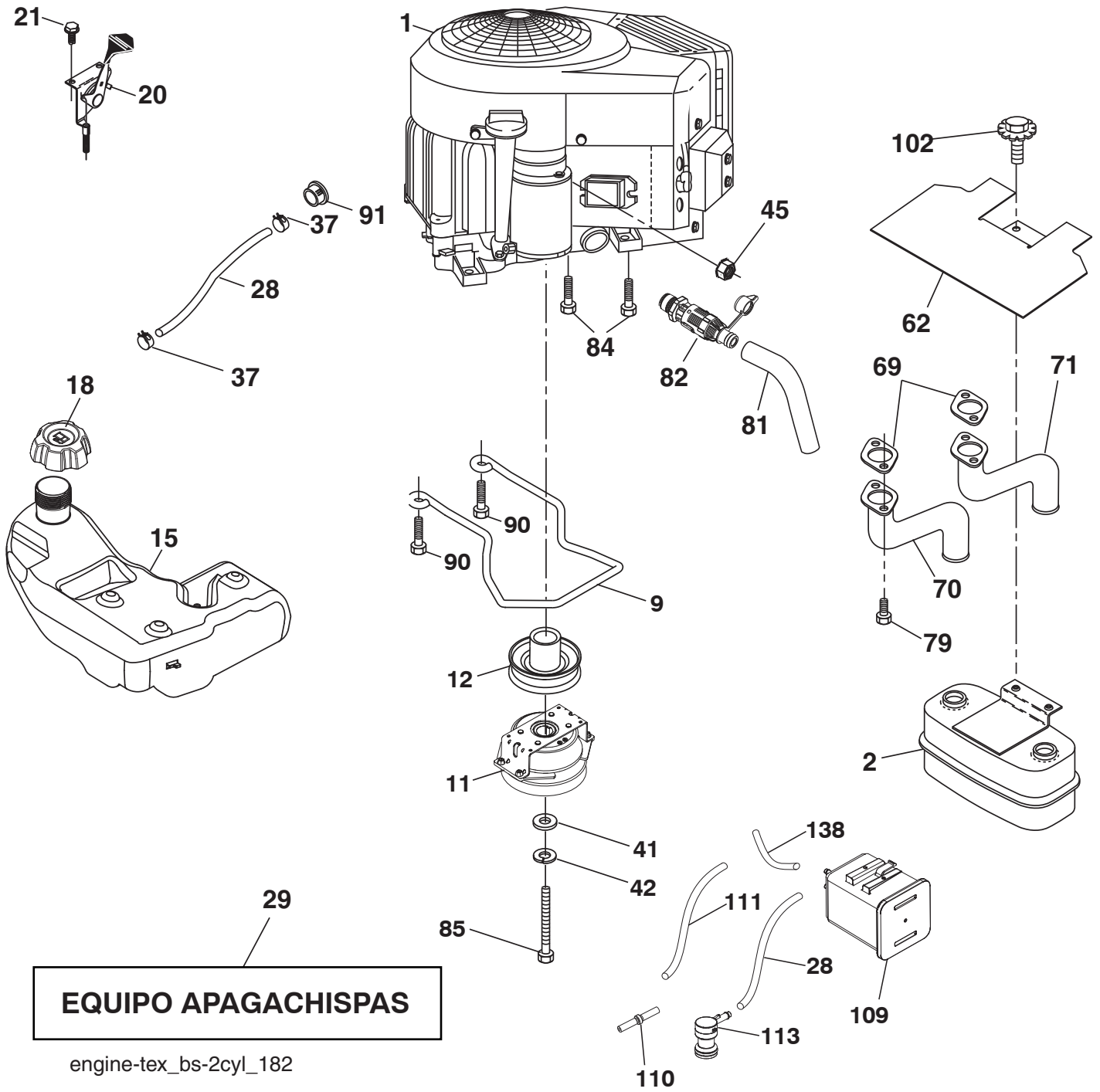
TRACTOR - MODELO NO. YTH24V48 (96043027200), PRODUCT NO. 960 43 02-72

TRANSMISIÓN

| CÓDIGO No. | PIEZA No. | DESCRIPCIÓN | CÓDIGO No. | PIEZA No. | DESCRIPCIÓN |
|------------|--------------|--|------------|--------------|---|
| 1 | ----- | Transeje, TUFFTORQ K46 BT (426120) (Haga el pedido de las piezas al fabricante del transeje.) | 186 | 532 19 43-21 | grado 5 |
| | | | 187 | 596 13 55-01 | Espaciador de retención |
| | | | 188 | 582 21 70-01 | Arandela de 13/32 x 2 |
| 2 | 532 12 35-83 | Cuña | | | Mecanismo de desplazamiento de la varilla de mando del embrague del largo |
| 15 | 596 56 53-01 | Arandela de 3/8 x 0.08 | | | Palanca acodada del mecanismo de desplazamiento |
| 17 | 532 41 36-78 | Resorte de freno | 189 | 532 19 43-17 | Sujetador de la palanca acodada del mecanismo de desplazamiento |
| 26 | 532 19 96-79 | Resorte | | | |
| 29 | 532 40 38-06 | Varilla del freno | 190 | 532 19 43-18 | |
| 33 | 812 00 00-01 | Aro "E" | | | |
| 35 | 590 60 59-02 | Varilla del freno de mano | | | |
| 37 | 532 18 89-67 | Arandela de .793 x 1.637 x 060 | 196 | 817 00 06-16 | Tornillo 3/8-16 x 1 |
| 42 | 532 00 88-83 | Cubierta del pedal | 197 | 585 65 86-02 | Soporte antirrotación |
| 49 | 596 13 62-01 | Perno de 3/8-16 x 3/4 | 205 | 532 12 17-48 | Arandela de 25/32 x 1-5/8 x calibre 16 |
| 50 | 532 19 43-27 | Polea loca plana | | | |
| 51 | 873 90 06-00 | Tuerca 3/8-16 | 206 | 532 44 85-96 | Soporte |
| 52 | 532 19 43-26 | Polea loca con ranura en V con un desplazamiento | 207 | 587 03 14-02 | Pestillo |
| | | | 208 | 596 56 41-01 | Engranaje |
| 56 | 592 85 52-01 | Correa, transmisión | 209 | 590 52 78-02 | Varilla de control del crucero |
| 64 | 532 19 78-65 | Ensamble del eje control del pedal de freno | 210 | 532 40 09-80 | Ensamble del pedal |
| | | | 211 | 532 12 01-83 | Rodamiento de nylon |
| 69 | 532 42 33-03 | Zinc suave horquilla .059 x 1.125 | 213 | 532 40 31-19 | Perilla de control del crucero |
| 73 | 596 13 65-01 | Perno de 5/16-18 x 1-1/2 | 214 | 532 42 12-63 | Forro del pedal para avanzar |
| 92 | 595 30 57-01 | Tornillo de 5/16-18 x 1-1/4 | 215 | 586 60 65-02 | Forro del pedal para retroceder |
| 99 | 582 40 45-01 | Varilla de Derivación LT K46, K57 | 216 | 532 19 61-31 | Soporte |
| 116 | 596 13 57-01 | Tuerca de 5/16-18 x .68 | 221 | 532 40 31-87 | Abrazadera de retención del resorte de la manija |
| 125 | 817 00 05-12 | Tornillo de 5/16-18 x 3/4 | | | |
| 143 | 596 03 07-01 | Tornillo de 5/16-18 x 1/2 | 222 | 879 21 20-10 | Arandela de 21/32 x 1-1/4 calibre 10 |
| 153 | 532 00 44-97 | Pince d' arrêtoir 1" | | | |
| 159 | 596 02 95-01 | Pasador de chaveta de 1/8 x 3/4 | 223 | 598 66 26-01 | Perno de T45. 5/16-18 x .75 |
| 161 | 532 10 57-09 | Resorte de retorno del embrague 6.75 | 225 | 532 40 33-19 | Fijador de la correa |
| | | | 227 | 596 13 59-01 | Perno de 5/16-18 x 3/4 |
| 163 | 593 86 10-01 | Tige, K46/K57R | 325 | 585 66 85-02 | Soporte |
| 166 | 532 42 91-64 | Tuerca de presión .625 | 326 | 585 67 08-02 | Soporte |
| 167 | 532 40 52-57 | Pestillo del freno de mano | 334 | 585 88 22-02 | Soporte |
| 170 | 532 19 43-22 | Fijador de la correa | 336 | 587 25 96-02 | Perno de 5/16-18 x 1-3/4 |
| 171 | 596 13 63-01 | Perno de 3/8-16 x 2 | | | |
| 177 | 587 22 53-01 | Abrazadera de retención 1 In. | | | |
| 183 | 532 13 70-57 | Separador | | | |
| 184 | 587 65 37-01 | Manija del freno de mano | | | |
| 185 | 872 11 06-22 | Perno de 3/8-16 unc x 2-3/4 | | | |

NOTA: Las dimensiones de todos los componentes están expresadas en pulgadas americanas. 1 pulgada = 25,4 mm

TRACTOR - MODELO NO. YTH24V48 (96043027200), PRODUCT NO. 960 43 02-72
MOTOR



TRACTOR - MODELO NO. YTH24V48 (96043027200), PRODUCT NO. 960 43 02-72 MOTOR

| CÓDIGO No. | PIEZA No. | DESCRIPCIÓN |
|------------|--------------|--|
| 1 | --- | Motor Briggs modelo No. 44N877-0003-G1 (501259701) (Haga el pedido de las piezas al fabricante del motor.) |
| 2 | 589 81 87-01 | Silenciador |
| 9 | 596 50 15-02 | Ensamble del sujetador de la correa del motor |
| 11 | 587 24 16-01 | Embrague de eléctrico |
| 12 | 532 40 50-97 | Polea del motor |
| 15 | 599 83 76-01 | Depósito de combustible 3 galón |
| 18 | 599 50 22-01 | Ensamble de la tapa 3" |
| 20 | 587 24 25-01 | Control del regulador |
| 21 | 596 32 17-01 | Tornillo de #10 x 0.750 |
| 28 | 532 40 11-35 | Línea de combustible |
| 29 | 532 13 71-80 | Equipo apagachispas |
| 37 | 532 12 34-87 | Abrazadera de la manguera |
| 41 | 532 12 61-97 | Arandela 1-1/2 OD x 15/32 ID x .250 |
| 42 | 596 23 89-01 | Arandela de 7/16" |
| 45 | 596 13 36-01 | Tuerca de presión de 1/4-20 |
| 62 | 532 43 40-17 | Silenciador con pantalla térmica |
| 69 | 532 16 53-91 | Junta |
| 70 | 581 88 11-01 | Tubo de escape(L.I.) |
| 71 | 581 88 10-01 | Tubo de escape (L.D.) |
| 79 | 596 13 42-02 | Tornillo de 5/16-18 x 1 |
| 81 | 532 14 84-56 | Tubo de fácil drenaje de aceite |
| 82 | 532 42 82-87 | Aceite drenaje válvula |
| 84 | 817 06 06-20 | Tornillo 3/8-16 x 1-1/4 |
| 85 | 501 60 66-01 | Perno 7/16-20 x 3.75 calibre 5 |
| 90 | 817 00 06-16 | Tornillo 3/8-16 x 1 |
| 91 | 532 18 74-95 | Buje |
| 102 | 817 00 05-12 | Tornillo 5/16-18 x 3/4 |
| 109 | 532 41 41-14 | Bote |
| 110 | 532 41 41-18 | Válvula |
| 111 | 596 94 15-01 | Línea de purga .1875" |
| 113 | 532 41 41-27 | Válvula |
| 138 | 532 42 07-18 | Línea de purge |

NOTA: Las dimensiones de todos los componentes están expresadas en pulgadas americanas. 1 pulgada = 25,4 mm

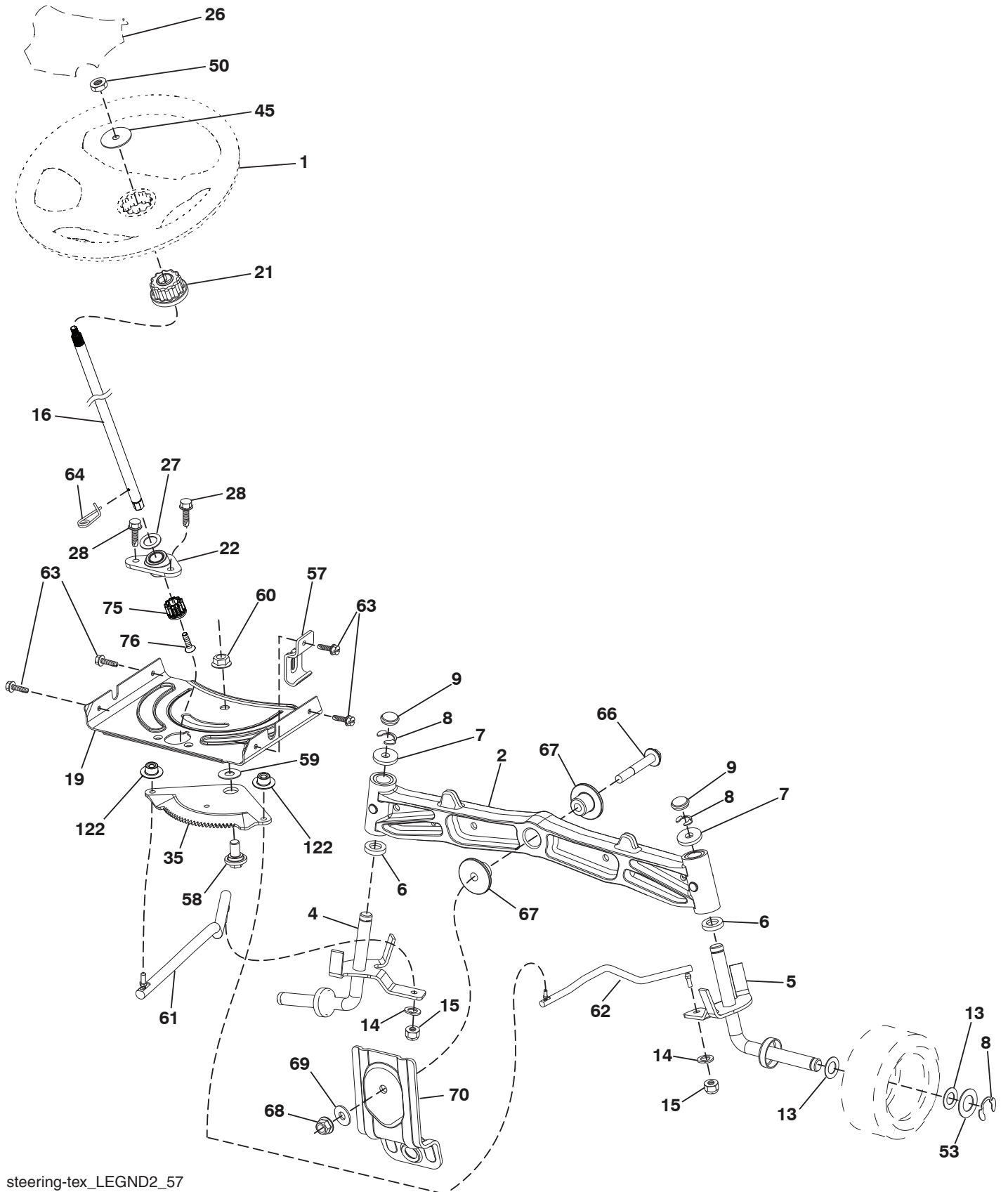
Para el servicio de motor y repuestos, llame el número de llamada gratuita para su fabricante de motor listó abajo:

Briggs & Stratton 1-800-233-3723

Información de Clasificación de Potencia del Motor

La clasificación de potencia para un modelo de motor a gas en particular se designa de acuerdo al código J1940 de SAE (Sociedad de Ingenieros Automotrices) (Procedimiento de Clasificación de Potencia & Torque del Motor Pequeño), y la clasificación de desempeño ha sido obtenida y corregida de acuerdo con el código J1995 de SAE (Revisión 2002-05). Los valores de torque se obtienen a 3060 RPM; los valores de potencia se obtienen a 3600 RPM. La potencia bruta actual del motor será inferior y está afectada, entre otras cosas, por las condiciones ambientales operativas y la variabilidad de motor a motor. Dado ambos un amplio conjunto de productos en los cuales son puestos nuestros motores, y la variedad de emisiones ambientales aplicables al operar el equipo, el motor a gas no desarrollará la potencia nominal cuando sea usado en una parte del equipo acoplado (potencia real "en el-sitio" o potencia neta). Esta diferencia se debe a una variedad de factores que incluyen, pero que no están limitados a, accesorios (filtro de aire, sistema de escape, sistema de carga, sistema de enfriamiento, carburador, bomba de combustible, etc.) limitaciones de la aplicación, condiciones ambientales de operación (temperatura, humedad, altitud), y la variabilidad de motor a motor. Debido a las limitaciones, Briggs & Stratton puede sustituir este motor con clasificación de potencia más alta por esta serie de motor.

TRACTOR - MODELO NO. YTH24V48 (96043027200), PRODUCT NO. 960 43 02-72
ENSAMBLE DE LA DIRECCIÓN



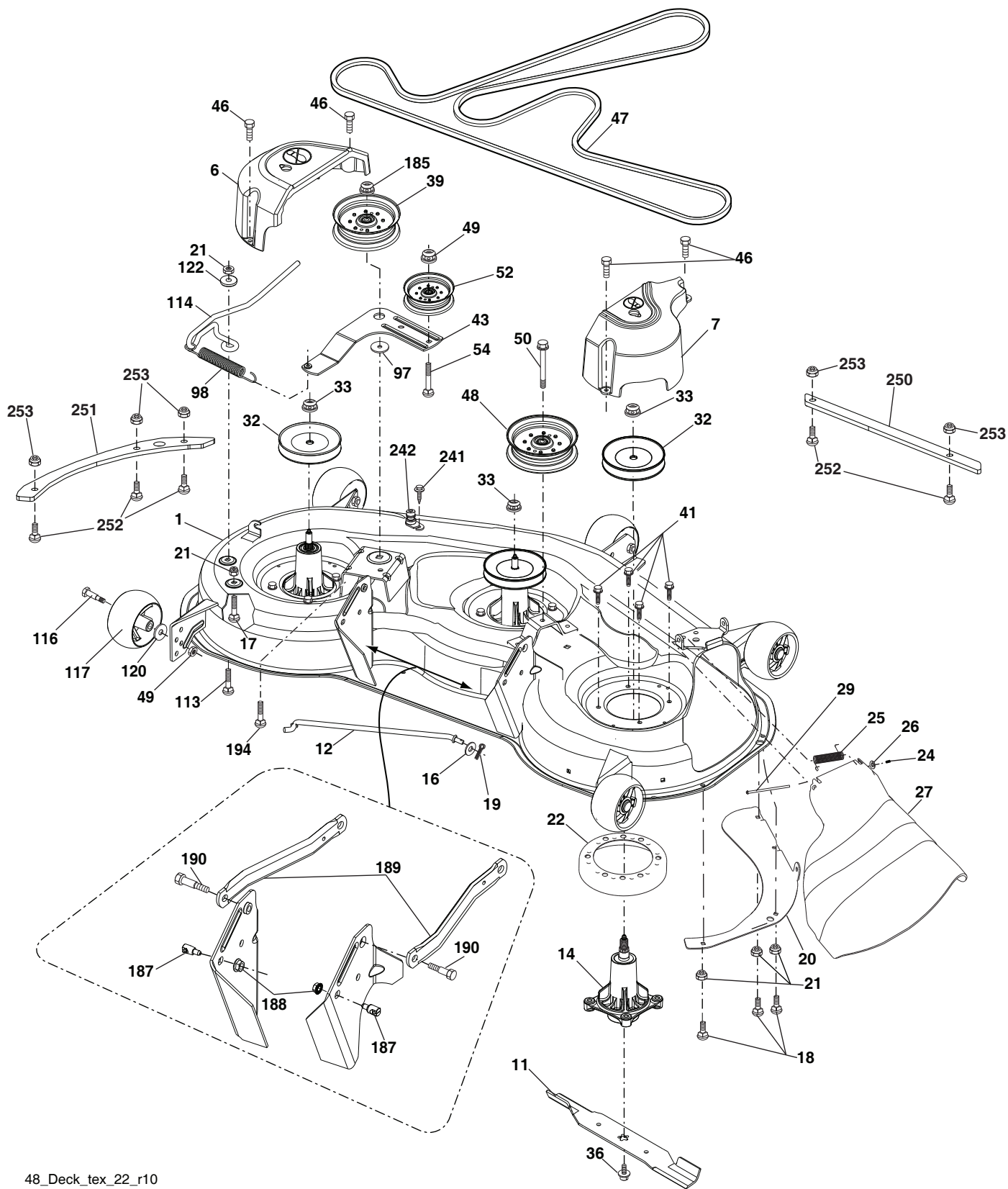
steering-tex_LEGND2_57

TRACTOR - MODELO NO. YTH24V48 (96043027200), PRODUCT NO. 960 43 02-72
ENSAMBLE DE LA DIRECCIÓN

| CÓDIGO No. | PIEZA No. | DESCRIPCIÓN |
|-------------------|------------------|---|
| 1 | 532 43 97-40 | Volante de dirección |
| 2 | 532 19 59-68 | Eje delantero |
| 4 | 532 40 30-87 | Ensamble del husillo izquierdo |
| 5 | 532 40 30-88 | Ensamble del husillo derecho |
| 6 | 532 00 62-66 | Arandela de .75 x 1.230 |
| 7 | 532 12 17-48 | Arandela 25/32 x 1-5/8 x Calibre 16 |
| 8 | 812 00 00-29 | Abrazadera del aro No. T5304-75 |
| 9 | 532 12 12-32 | Tapa del husillo |
| 13 | 532 12 17-49 | Arandela 25/32 x 1-1/4 x Calibre 16 |
| 14 | 596 23 87-01 | Arandela de .381 x .680 |
| 15 | 873 54 06-00 | Tuerca corona de presión de 3/8-24 unf |
| 16 | 587 01 60-02 | Eje de dirección |
| 19 | 532 19 47-29 | Placa de dirección |
| 21 | 586 84 02-01 | Adaptador del volante de dirección |
| 22 | 585 02 98-02 | Rodamiento |
| 26 | 532 43 97-43 | Inserto del volante de dirección |
| 27 | 596 93 34-01 | Arandela |
| 28 | 817 00 06-12 | Tornillo 3/8-16 x 3/4 |
| 35 | 532 19 47-32 | Engranaje del sector de la placa |
| 45 | 587 01 64-01 | Arandela 3/8 ID 2-3/8 OD calibre 12 PLTD |
| 50 | 873 90 06-00 | Tuerca 3/8-16 unc |
| 53 | 532 18 89-67 | Arandela .793 x 1.637 x .060 |
| 57 | 532 19 72-46 | Tope superior del soporte |
| 58 | 532 19 47-47 | Perno de tope del sector del pivote CFM |
| 59 | 532 19 47-48 | Arandela de empuje del sector de dirección |
| 60 | 873 97 10-00 | Tuerca de presión con brida de 5/8-11 |
| 61 | 532 19 47-40 | Barra de acoplamiento izquierda |
| 62 | 532 19 47-41 | Barra de acoplamiento derecha |
| 63 | 817 00 05-12 | Tornillo 5/16-18 x 3/4 |
| 64 | 532 19 98-49 | Abrazadera de retención del resorte de la dirección |
| 66 | 871 02 07-48 | Perno de cabeza 7/16-14 x 3 |
| 67 | 532 19 47-37 | Buje PM del eje delantero |
| 68 | 873 90 07-00 | Tuerca de presión con brida de 7/16-14 grado 5 |
| 69 | 532 19 91-62 | Arandela 1.5 x .505 x .118 |
| 70 | 585 33 88-01 | Soporte de la plataforma delantera |
| 75 | 580 68 37-01 | Piñón |
| 76 | 580 68 36-01 | Tornillo |
| 122 | 532 44 49-62 | Tapa |

NOTA: Las dimensiones de todos los componentes están expresadas en pulgadas americanas. 1 pulgada = 25,4 mm

**TRACTOR - MODELO NO. YTH24V48 (96043027200), PRODUCT NO. 960 43 02-72
PLATAFORMA DE LA CORTADORA DE CÉSPED**



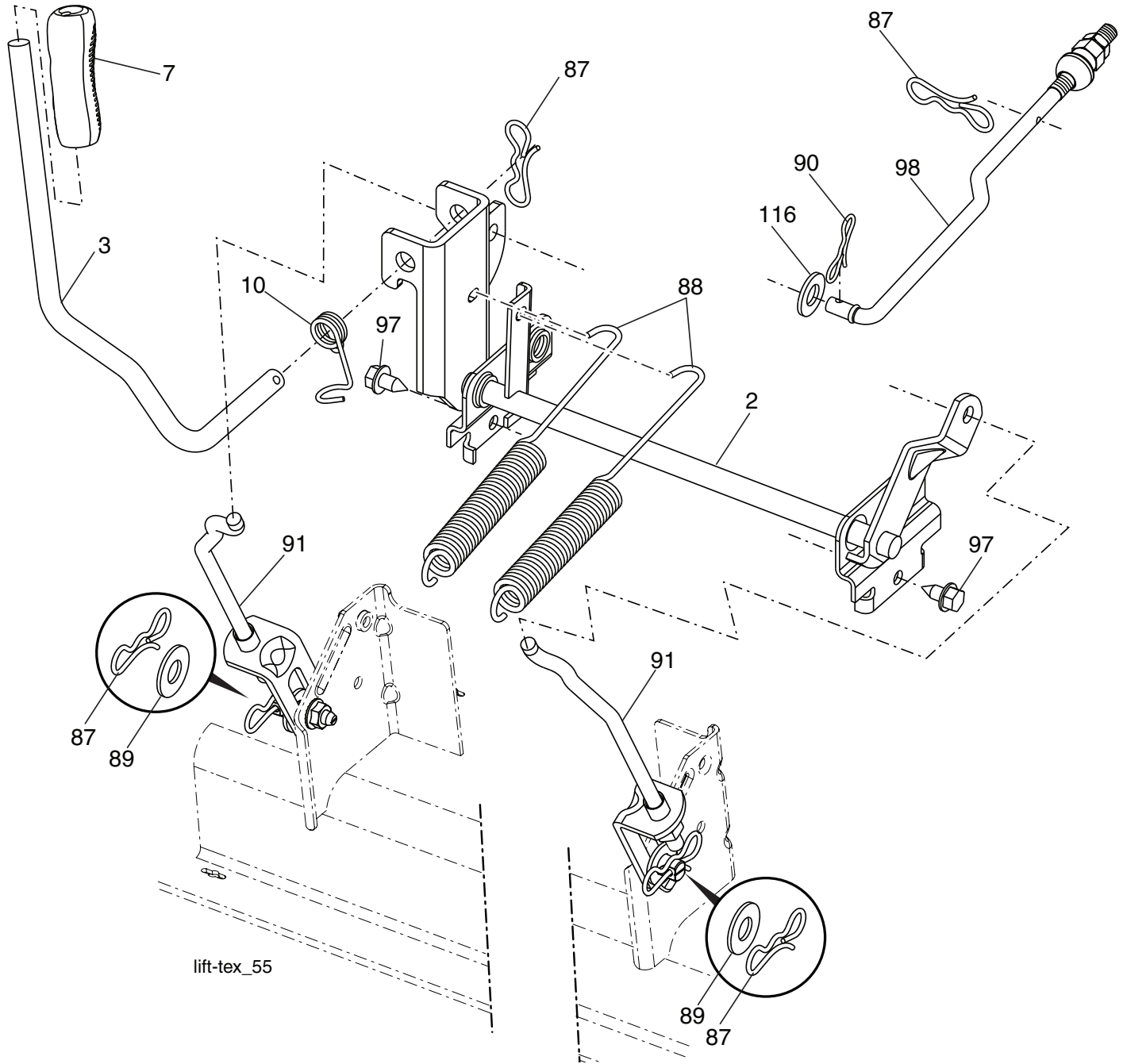
48_Deck_tex_22_r10

TRACTOR - MODELO NO. YTH24V48 (96043027200), PRODUCT NO. 960 43 02-72
PLATAFORMA DE LA CORTADORA DE CÉSPED

| CÓDIGO No. | PIEZA No. | DESCRIPCIÓN | CÓDIGO No. | PIEZA No. | DESCRIPCIÓN |
|-------------------|------------------|---|-------------------|------------------|---|
| 1 | 532 41 82-24 | Equipo de Carcasa de la cortadora de césped 48B197216X668 | 52 | 532 19 31-97 | Polea loca primaria 48" |
| 6 | 532 19 72-48 | Cubierta izquierda del mandril | 54 | 596 13 61-01 | Perno de 3/8-16 x 1-1/2 |
| 7 | 587 45 24-01 | Cubierta derecha del mandril | 97 | 532 17 85-15 | Arandela |
| 11 | 532 18 00-54 | Cuchilla de la cortadora | 98 | 532 19 61-05 | Accionamiento por resortes |
| 12 | 532 40 48-51 | Varilla | 113 | 596 43 57-01 | Perno de 5/16-18 x 1.02 |
| 14 | 587 82 03-01 | Conjunto del mandril (incluye Eje del mandril y tornillos) | 114 | 532 19 74-51 | Varilla |
| 16 | 596 13 32-01 | Arandela de 13/32 x 13/16 x 12 | 116 | 596 43 44-04 | Perno de 3/8-16 x 3-5/8" |
| 17 | 872 11 05-05 | Perno 5/16-18 x 5/8 | 117 | 589 52 73-01 | Calibrador de la rueda |
| 18 | 596 13 64-01 | Perno de 5/16-18 x 5/8 | 120 | 596 13 49-01 | Arandela de 3/8 x 7/8 |
| 19 | 532 19 42-08 | Pasador de chaveta de 5/16 con bloqueo en forma de mariposa | 122 | 532 18 75-57 | Buje |
| 20 | 532 17 43-78 | Torbellino de deflector | 185 | 873 90 07-00 | Tuerca de presión con brida 7/16-14 grado 5 |
| 21 | 596 04 05-01 | Tuerca de presión de 5/16-18 | 187 | 593 82 40-01 | Perno prisionero con anti rotación |
| 22 | 532 17 44-93 | Separador de mandril | 188 | 596 13 57-01 | Tuerca de presión de 5/16-18 x .68 |
| 24 | 532 10 53-04 | Tapa de la manga | 189 | 587 14 05-02 | Brazo de la suspensión trasera |
| 25 | 532 17 81-02 | Resorte de torsión | 190 | 532 19 65-39 | Perno de tope |
| 26 | 532 11 04-52 | Tuerca | 194 | 874 49 07-36 | Perno 7/16-24 |
| 27 | 532 18 17-07 | Protector del deflector | 241 | 532 15 29-27 | Tornillo TT #10-32.5 3/8 |
| 29 | 595 29 70-01 | Varilla de la bisagra | 242 | 532 41 55-98 | Puerto de Lavado de la Cubierta |
| 32 | 532 15 35-32 | Polea del mandril | 250 | 585 31 80-05 | Placa de refuerzo frontal |
| 33 | 596 13 48-01 | Tuerca de 9/16-18 x 1.010 | 251 | 585 32 24-05 | Placa de refuerzo lateral |
| 36 | 584 30 93-01 | Tornillo 7/16-20 x 1 | 252 | 592 80 78-01 | Perno de 1/4-20 x 1" |
| 39 | 532 19 73-80 | Polea loca 4.50 | 253 | 873 90 04-00 | Tuerca 1/4-20 unc |
| 41 | 584 95 39-01 | Perno 313-18 x 1.19 | -- | 532 41 64-05 | Accesorio del conexión |
| 43 | 532 19 60-65 | Brazo de la polea | -- | 532 41 82-23 | Reemplazo de la cortadora de césped, completa |
| 46 | 532 13 77-29 | Tornillo 1/4-20 x 5/8 | | | |
| 47 | 593 77 34-01 | Correa del tractor 48" | | | |
| 48 | 532 19 73-79 | Polea loca 4.50 RAW | | | |
| 49 | 873 90 06-00 | Tuerca de presión con brida 3/8-16 unc | | | |
| 50 | 817 49 06-36 | Tornillo TT 3/8-16 x 2-1/4 | | | |

NOTA: Las dimensiones de todos los componentes están expresadas en pulgadas americanas. 1 pulgada = 25,4 mm

TRACTOR - MODELO NO. YTH24V48 (96043027200), PRODUCT NO. 960 43 02-72
ELEVACIÓN DE LA CORTADORA DE CÉSPED

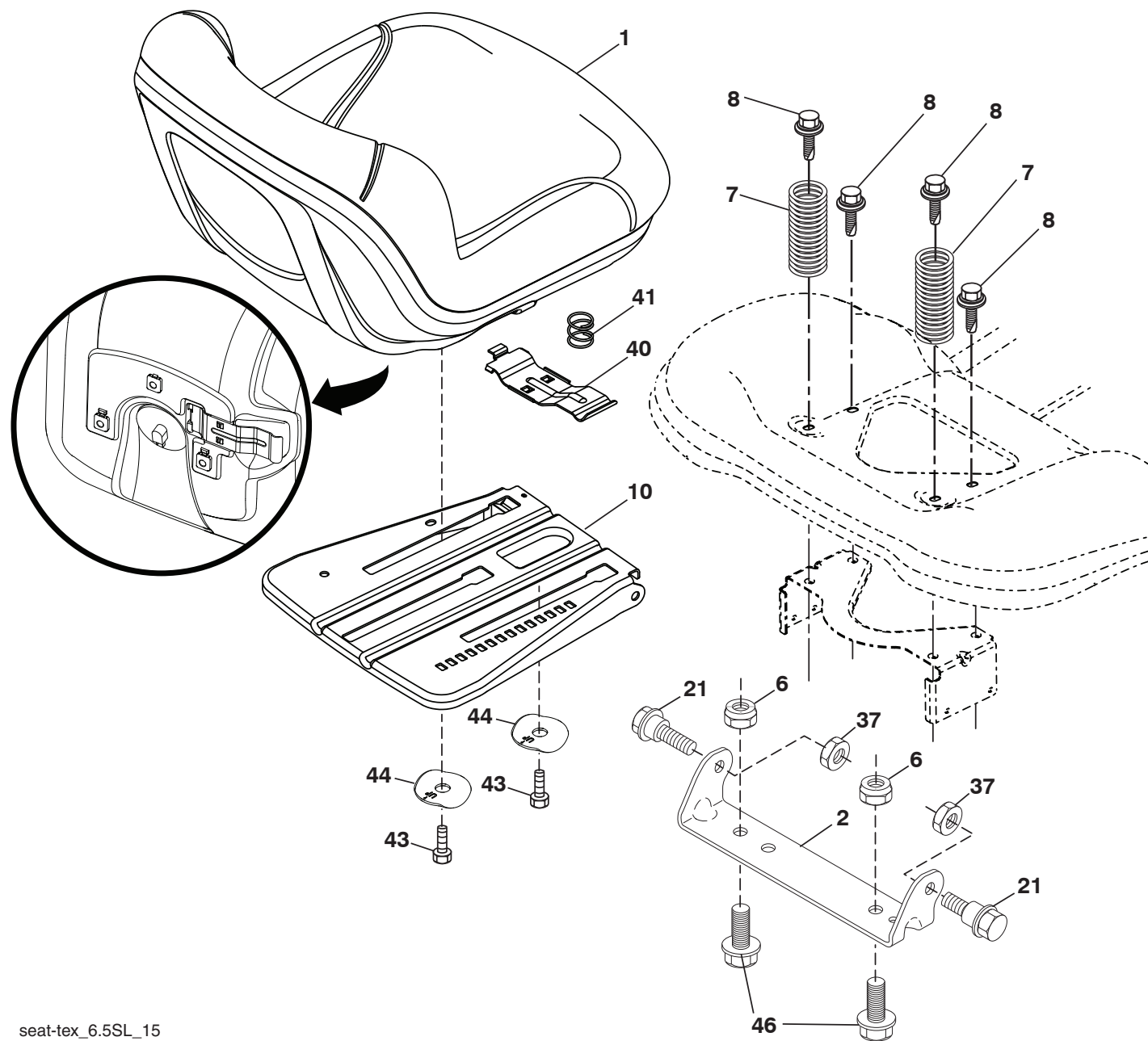


| CÓDIGO No. | PIEZA No. | DESCRIPCIÓN |
|------------|--------------|---|
| 2 | 532 42 20-27 | Ensamble del eje de la elevación |
| 3 | 594 01 80-01 | Ensamble de la palanca de elevación |
| 7 | 580 96 23-01 | Mango de la palanca |
| 10 | 532 19 63-14 | Resorte de torsión |
| 87 | 532 19 42-09 | Pasador de chaveta de 7/16 con bloqueo en forma de mariposa |
| 88 | 532 41 07-10 | Resorte de ayuda de la elevación |
| 89 | 819 19 19-12 | Arandela de zinc transparente |
| 90 | 532 19 42-08 | Pasador de chaveta de 5/16 con bloqueo en forma de mariposa |

| CÓDIGO No. | PIEZA No. | DESCRIPCIÓN |
|------------|--------------|---|
| 91 | 589 46 48-03 | Ensamble del acoplamiento Elevación trasera |
| 97 | 817 00 06-12 | Tornillo de 3/8-16 x 0,75 |
| 98 | 581 50 69-02 | Ensamble del acoplamiento Elevación Frente |
| 116 | 594 97 65-01 | Arandela de 15/32 x 15/16 x .065 |

NOTA: Las dimensiones de todos los componentes están expresadas en pulgadas americanas. 1 pulgada = 25,4 mm

TRACTOR - MODELO NO. YTH24V48 (96043027200), PRODUCT NO. 960 43 02-72
ENSAMBLE DEL ASIENTO



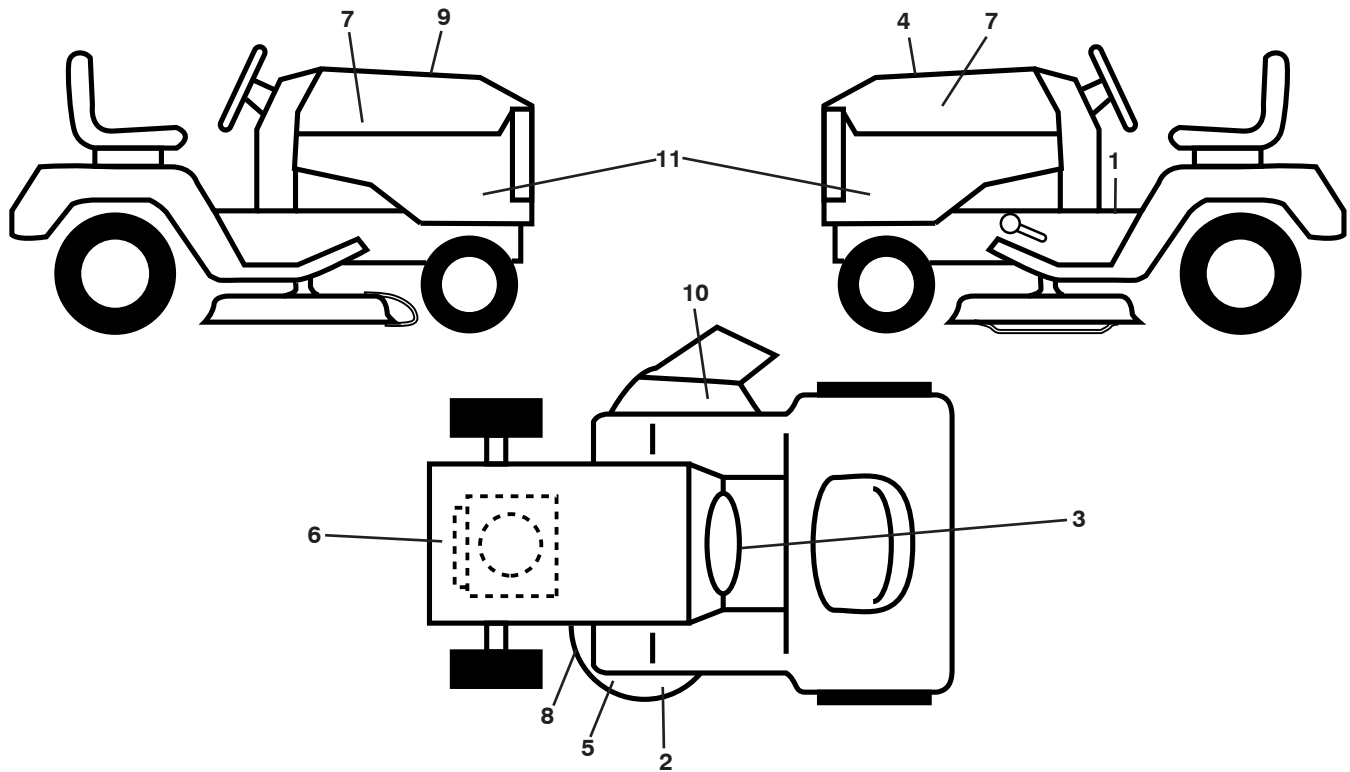
seat-tex_6.5SL_15

| CÓDIGO No. | PIEZA No. | DESCRIPCIÓN |
|------------|--------------|---|
| 1 | 532 43 98-22 | Asiento |
| 2 | 532 18 01-66 | Soporte pivotante del guardabarros |
| 6 | 873 80 06-00 | Tuerca de presión c/aislamiento de 3/8-16 unc |
| 7 | 589 48 35-01 | Resorte del asiento |
| 8 | 532 17 18-77 | Perno de 5/16" unc x 3/4" |
| 10 | 596 65 74-02 | Bandeja del asiento |
| 21 | 587 90 78-01 | Perno de tope de 5/16-18 x 5/8 |
| 37 | 596 58 37-02 | Tuerca 5/16-18 |

| CÓDIGO No. | PIEZA No. | DESCRIPCIÓN |
|------------|--------------|---|
| 40 | 595 08 81-02 | Manija para deslizar el asiento x 431 |
| 41 | 532 19 82-00 | Resorte para trabar el asiento |
| 43 | 874 76 06-12 | Perno de cabeza hexagonal con aleta de 3/8-16 unc x 3/4 |
| 44 | 501 05 18-01 | Lavadora con alas |
| 46 | 588 09 04-01 | Perno 3/8-16 x 1, 1.25 OD Arandela |

NOTA: Las dimensiones de todos los componentes están expresadas en pulgadas americanas. 1 pulgada = 25,4 mm

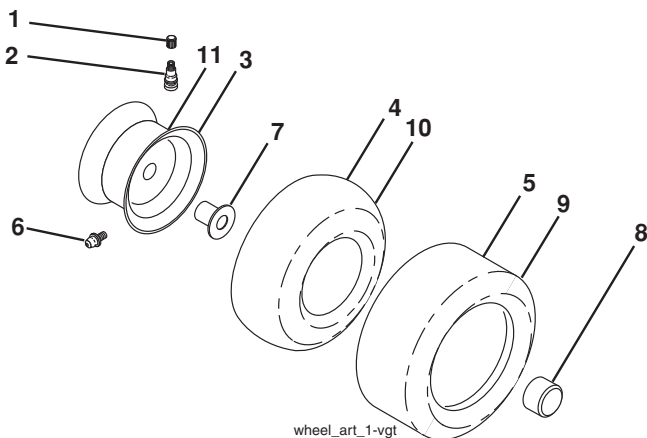
CALCOMANÍAS



| CÓDIGO No. | PIEZA No. | DESCRIPCIÓN |
|------------|--------------|---|
| 1 | 581 57 89-01 | Calcomanía, precaución |
| 2 | 585 71 44-01 | Calcomanía, armor |
| 3 | 596 02 42-01 | Calcomanía precaución |
| 4 | 592 94 61-01 | Calcomanía de reemplazo |
| 5 | 581 72 45-02 | Calcomanía precaución |
| 6 | 585 93 73-01 | Calcomanía H.P. |
| 7 | 501 13 14-01 | Calcomanía para el logo de la capota |
| 8 | 581 58 00-02 | Calcomanía del diagrama de la cortadora de césped |
| 9 | 532 42 38-29 | Calcomanía responsabilidad del cliente |
| 10 | 584 90 46-01 | Calcomanía precaución |

| CÓDIGO No. | PIEZA No. | DESCRIPCIÓN |
|------------|--------------|--|
| 11 | 585 93 80-01 | Calcomanía para el panel lateral |
| -- | 581 72 48-01 | Calcomanía para la desviación |
| -- | 532 43 96-81 | Forro del apoyo para los pies (LI) |
| -- | 532 43 96-82 | Forro del apoyo para los pies (LD) |
| -- | 115 95 96-49 | Manual del operador (Inglés/Español) |
| -- | 115 95 97-49 | Manual De Repuestos (Inglés/Español) |
| -- | 587 71 00-26 | Guía de inicio rápido (Inglés/Español) |

RUEDAS Y NEUMÁTICOS



| CÓDIGO No. | PIEZA No. | DESCRIPCIÓN |
|------------|--------------|--|
| 1 | 532 05 91-92 | Tapa de la válvula del neumático |
| 2 | 532 06 51-39 | Vástago de la válvula |
| 3 | 532 13 83-36 | Ensamble de las llantas delanteras |
| 4 | 532 05 99-04 | Cámara delantera (Mantenimiento sólo) |
| 5 | 532 10 62-22 | Neumático delantero 15 x 6-6 |
| 6 | 532 00 02-78 | Accesorio para engrasar |
| 7 | 532 00 90-40 | Rodamiento de la brida |
| 8 | 532 17 50-39 | Tapa del eje |
| 9 | 532 13 84-68 | Neumático trasero 20 x 8-8 |
| 10 | 532 00 71-52 | Cámara trasera (Mantenimiento sólo) |
| 11 | 532 13 83-37 | Ensamble trasero de la llanta |
| -- | 532 14 43-34 | Sellador para neumáticos (tubo de 10 onzas [283 gr]) |

NOTA: Las dimensiones de todos los componentes están expresadas en pulgadas americanas. 1 pulgada = 25,4 mm

SERVICE NOTES / AVISO



www.husqvarna.com