



Parts Manual

PZ 60

966 614301-04

Please read the operator manual carefully
and make sure you understand
the instructions before using the machine.



When you need spare parts or support in service questions, warranty issues, etc., please consult the following professional:

This manual belongs to the machine with the manufacturing number:	Engine	Transmission

Manufacturing Number

The machine's manufacturing number can be found on the printed plate affixed to the engine compartment.

Stated on the plate, from the top are:

- The machine's type designation (I.D.).
- The manufacturer's type number (Model).
- The machine's serial number (Serial no.)

Please have the type designation and serial number available when ordering spare parts.

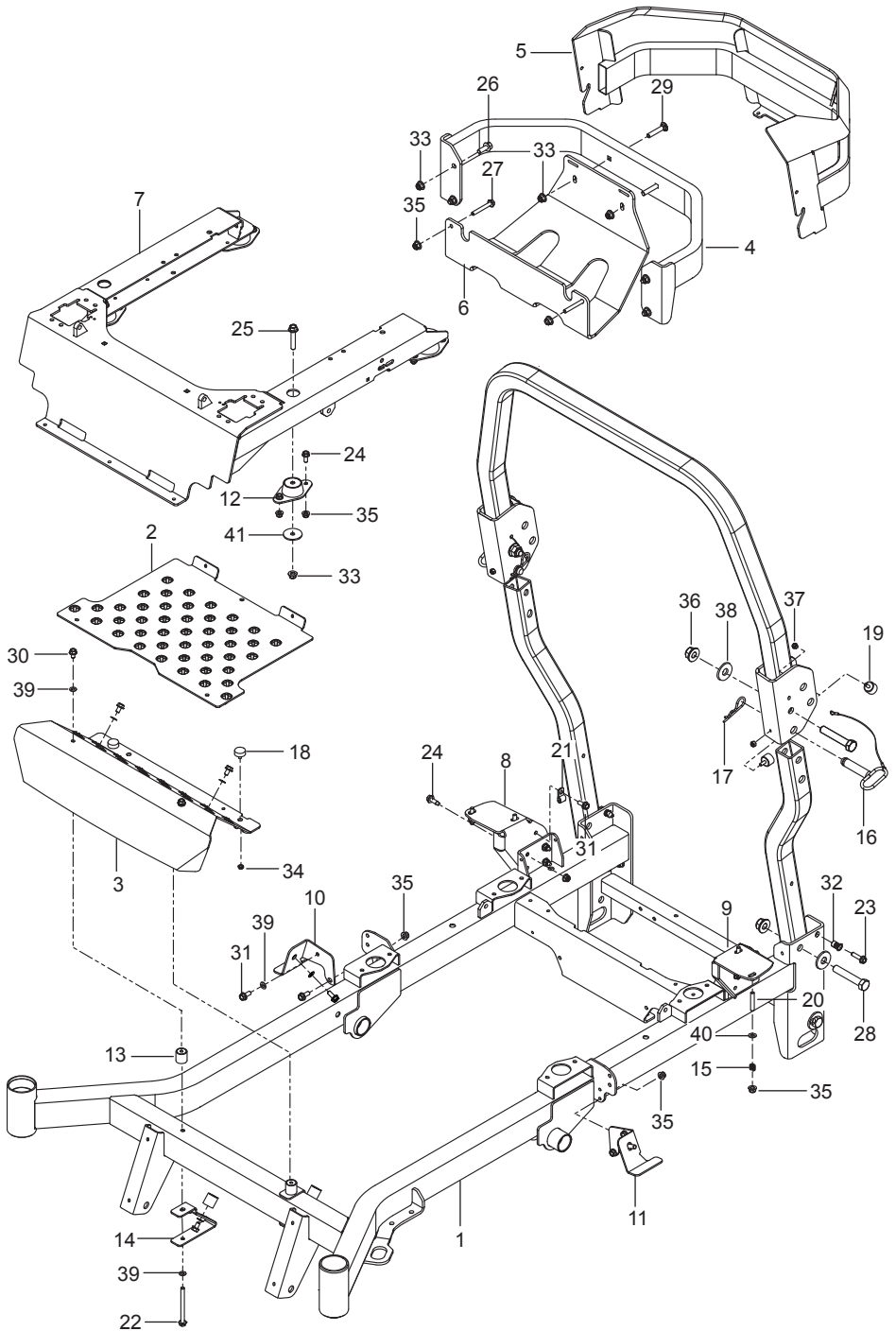
CONTENTS

FRAME	4
ENGINE MOUNTING, GUARDS AND MUFFLER	6
STEERING	8
IGNITION SYSTEM.....	10
PARKING BRAKE	12
HYDRAULIC PUMP-MOTOR.....	14
WHEELS & TIRES	16
MOWER LIFT / DECK LIFT.....	18
PEDALS	20
MOWER DECK / CUTTING DECK	22
BELT GUARDS AND PULLEYS.....	24
SEAT	26
DECALS	28

Illustrations may or may not represent the actual assemblies and it is not recommended to use this manual as a guide to assemble or disassemble the mower.

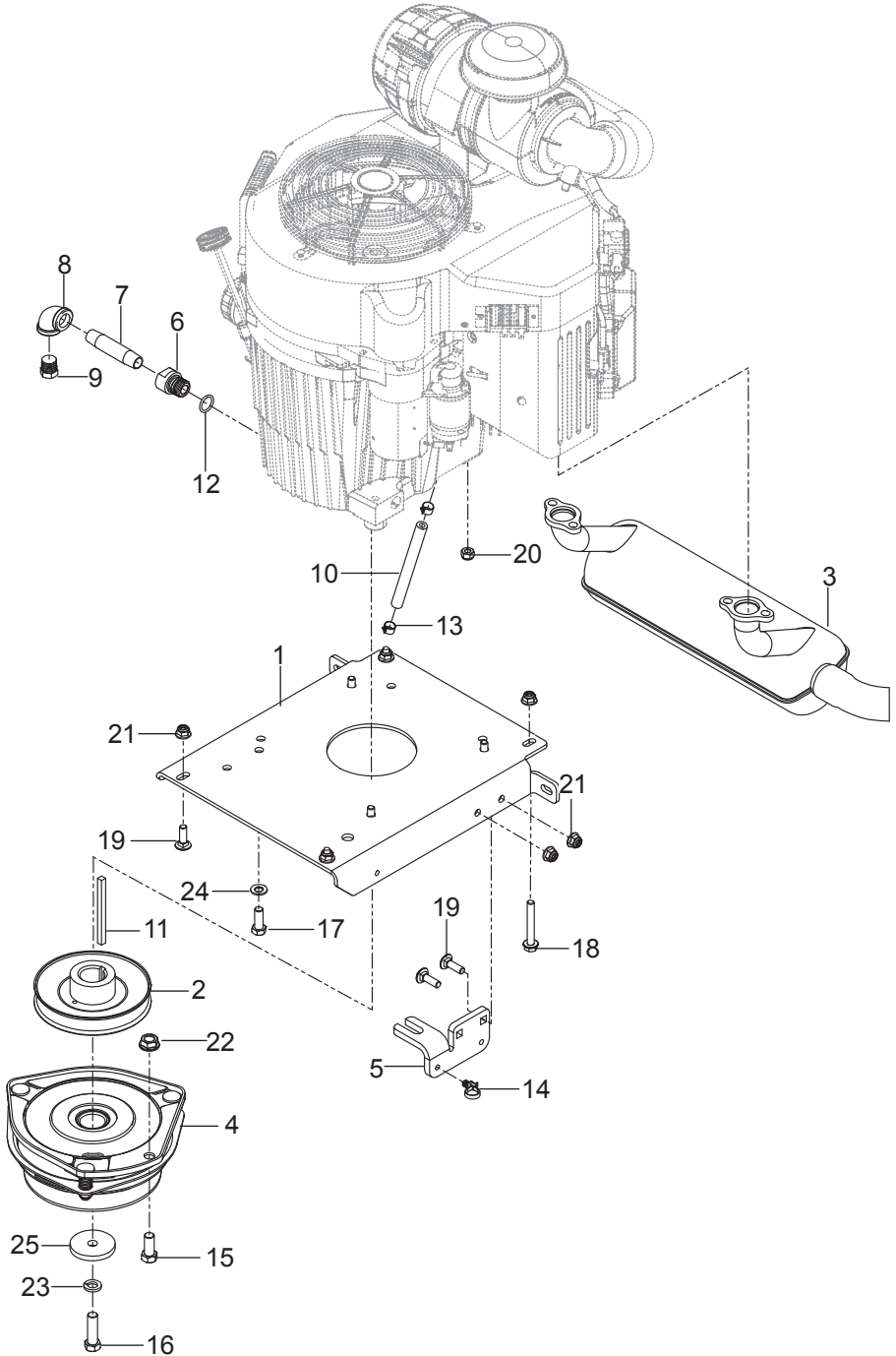
NOTE: All fasteners are Grade 5 unless otherwise specified.

FRAME



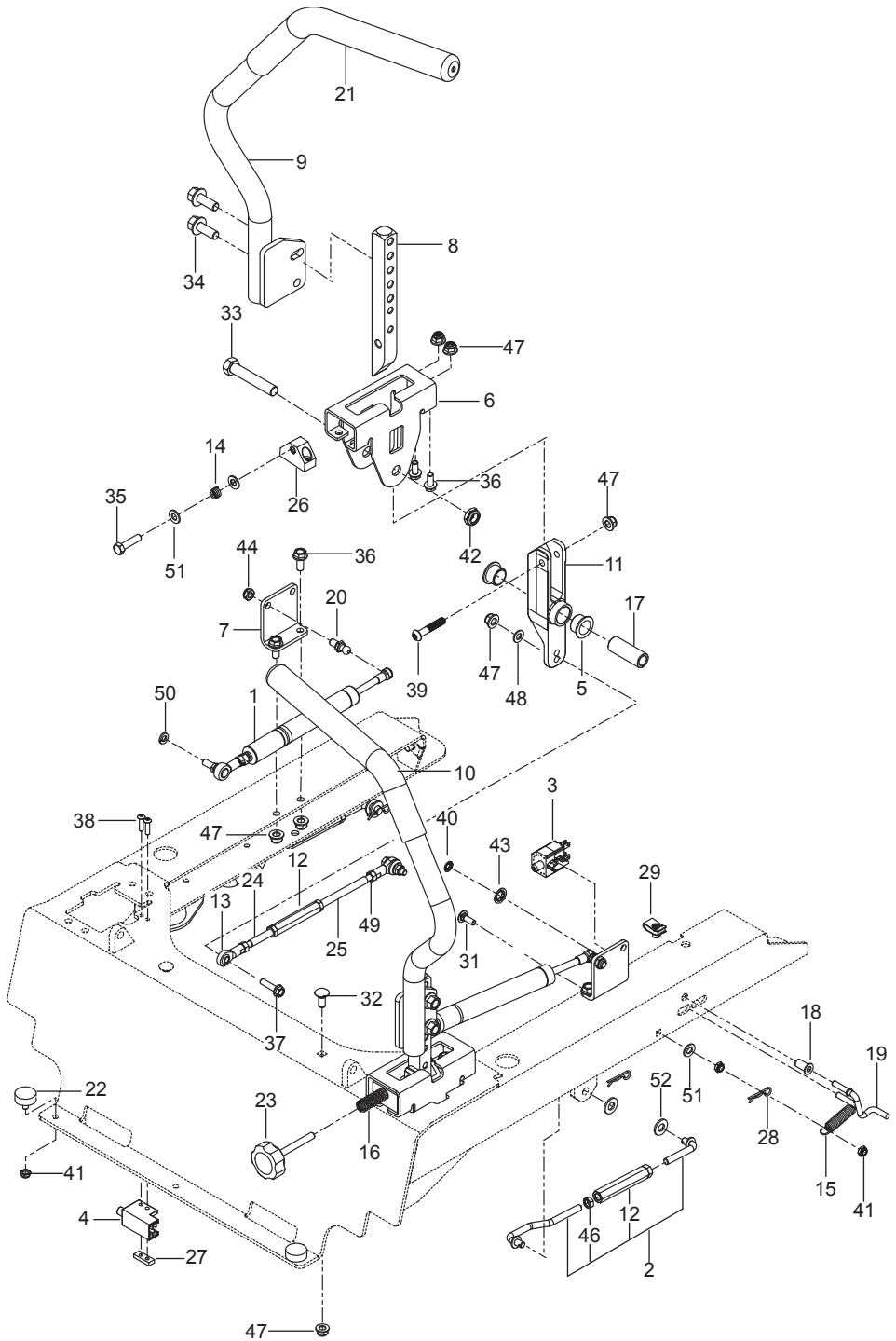
Ref.	Part No.	Qty	Description
1	574 48 28-02	1	Frame w/ Safety Decals Org
2	574 21 56-02	1	Floor Pan Org
3	574 21 57-02	1	Footrest Org
4	522 67 57-02	1	Bumper, Rear Org
5	587 89 80-02	1	Guard, Rear Gry
6	574 22 86-02	1	Plate, Skid Gry
7	577 32 77-02	1	Mount, Seat Org
8	529 27 96-03	1	Mount, Tank Right Rear Blk
9	529 27 97-03	1	Mount, Tank Left Rear Blk
10	529 27 99-03	1	Mount, Tank Right Front
11	529 28 00-03	1	Mount, Tank Left Front
12	510 08 21-01	4	Mount, ISO
13	510 08 32-01	4	Mount, F/F Insert
14	510 04 03-01	2	Bracket, Rest Mount
15	539 10 28-45	4	Spring, Tank Mount
16	574 38 80-01	2	Latch Pin w/ Lanyard
17	539 20 07-15	2	Pin, Hair
18	575 81 15-01	2	Bumper 1/4-20 Stud 3/8"
19	522 80 14-01	4	Bumper 1/4-20 Stud 5/8"
20	539 10 25-02	4	Stud, Fuel Tank
21	539 10 98-67	1	Clamp, Double Tube
22	539 13 17-80	2	Bolt 5/16-18 x 3-3/4 Hex Flange Head
23	525 54 40-01	2	Bolt 5/16-18 x 1-1/4 Hex Flange Head Tap
24	874 49 05-12	14	Bolt 5/16-18 x 3/4 Hex Flange Head
25	874 49 06-32	4	Bolt 3/8-16 x 2 Hex Flange Head
26	525 61 28-01	4	Bolt 3/8-16 x 1 Hex Flange Head
27	574 23 38-01	4	Bolt 5/16-18 x 2-1/4 Hex Flange Head
28	580 75 46-01	6	Bolt 5/8-11 x 3-1/2 Hex Head
29	539 10 01-45	2	Bolt 3/8-16 x 2 Round Head Square Neck
30	817 49 05-08	6	Screw 5/16-18 x 1/2 Thread Form
31	817 49 05-16	7	Screw 5/16-18 x 1 Thread Form
32	539 11 10-28	2	Nutsert 5/16-18
33	521 99 65-01	8	Nut 3/8-16 Hex Flange Nyloc
34	539 10 81-20	2	Nut 1/4-20 Hex Thin Nyloc
35	539 11 28-99	22	Nut 5/16-18 Hex Flange Nyloc
36	525 82 91-01	6	Nut 5/8-11 Flange Nyloc
37	873 80 04-00	4	Nut 1/4-20 Hex Nyloc
38	539 10 26-53	4	Washer 5/8 Std Flat
39	539 10 96-00	6	Washer 5/16 Disc Spring
40	819 11 11-16	4	Washer 5/16 SAE Flat
41	539 11 18-97	4	Washer, Special
	Not Shown		
	576 73 88-01	1	Assembly, ROPS w/ Seat Belt

ENGINE MOUNTING, GUARDS AND MUFFLER



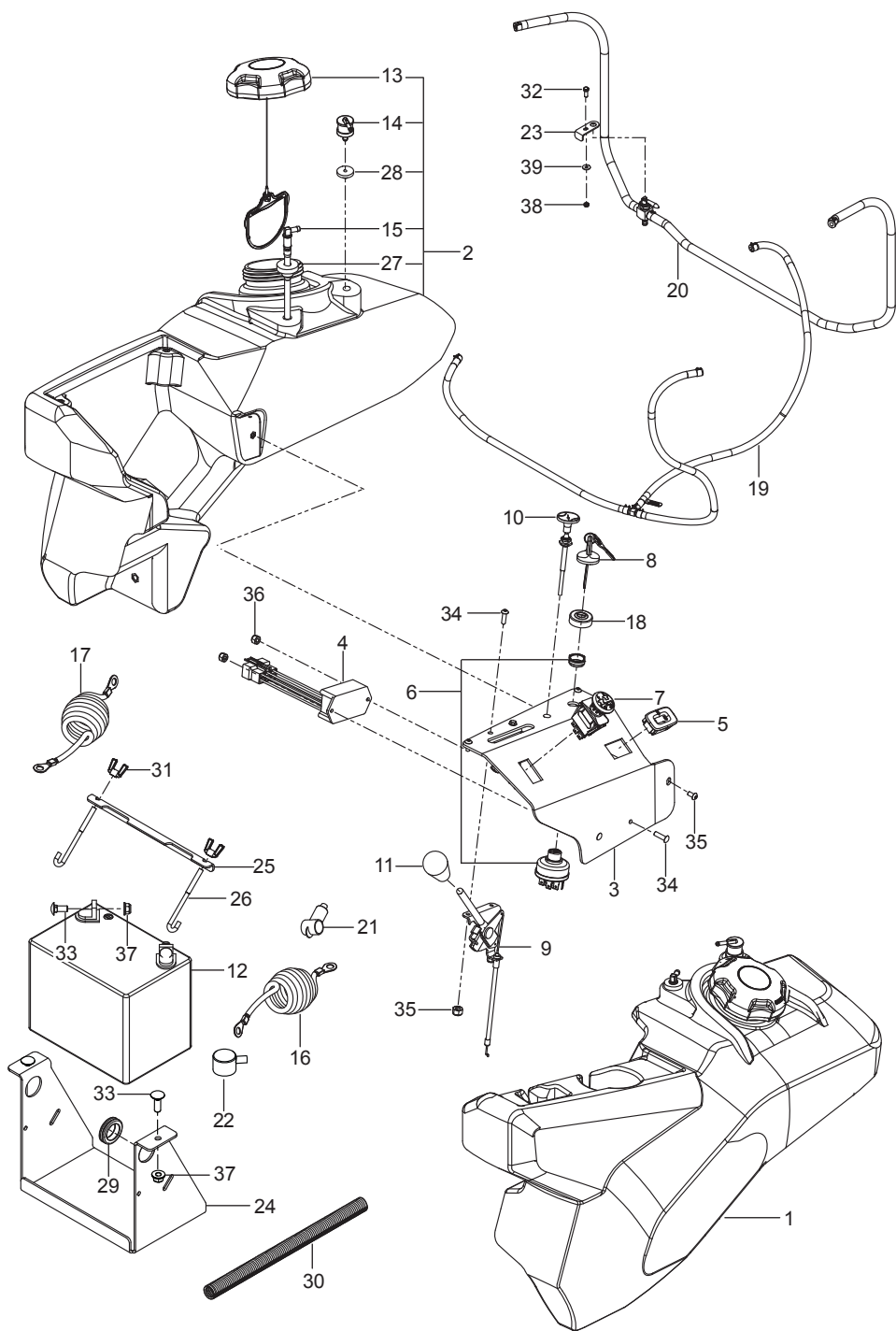
Ref.	Part No.	Qty	Description
1	510 00 46-02	1	Plate, Engine
2	510 01 98-01	1	Pulley, Engine
3	525 75 03-01	1	Muffler
4	525 74 95-01	1	Clutch, GT 3.5
5	522 67 67-02	1	Stop, Clutch
6	539 11 96-80	1	Adaptor, Oil Drain
7	539 11 89-11	2	Pipe 3/8 NPT x 3"
8	539 10 50-72	1	Elbow 90°
9	522 83 70-01	1	Plug 3/8 NPTF Drain
10	587 04 48-14	1	Fuel Line 14"
11	525 74 99-01	1	Key 1/4 Sq x 3-1/2
12	539 10 96-18	1	O-Ring
13	532 12 34-87	2	Clamp, Hose Blk
14	505 28 00-01	1	Tie Wrap w/ Clip
15	874 78 07-16	1	Bolt 7/16-14 x 1 Hex Head
16	581 33 28-01	1	Bolt 7/16-20 x 1-1/2 Hex Head
17	539 99 05-63	4	Bolt 3/8-16 x 1 Hex Head
18	574 23 38-01	2	Bolt 5/16-18 x 2-1/4 Hex Flange Head
19	539 99 02-08	2	Bolt 5/16-18 x 1 Round Head Square Neck
20	539 10 31-53	1	Nut M8 x 1.25 Nyloc
21	539 11 28-99	8	Nut 5/16-18 Hex Flange Nyloc
22	539 10 25-82	1	Nut 7/16-14 Hex Whiz Lock
23	539 99 02-47	1	Washer 7/16 Slotted Lock
24	539 10 25-93	4	Washer 3/8 Spring
25	539 12 56-26	1	Washer, Heavy
26	NOT SHOWN		
	525 55 42-01	1	Engine Harness, Kaw
	574 82 58-01	1	Kit, Spark Arrestor
	586 83 97-01	2	Gasket, Exhaust
	-----	1	Engine, Kawasaki FX801V 25.5 Hp For Engine Replacement Parts, See a Kawasaki Dealer

STEERING



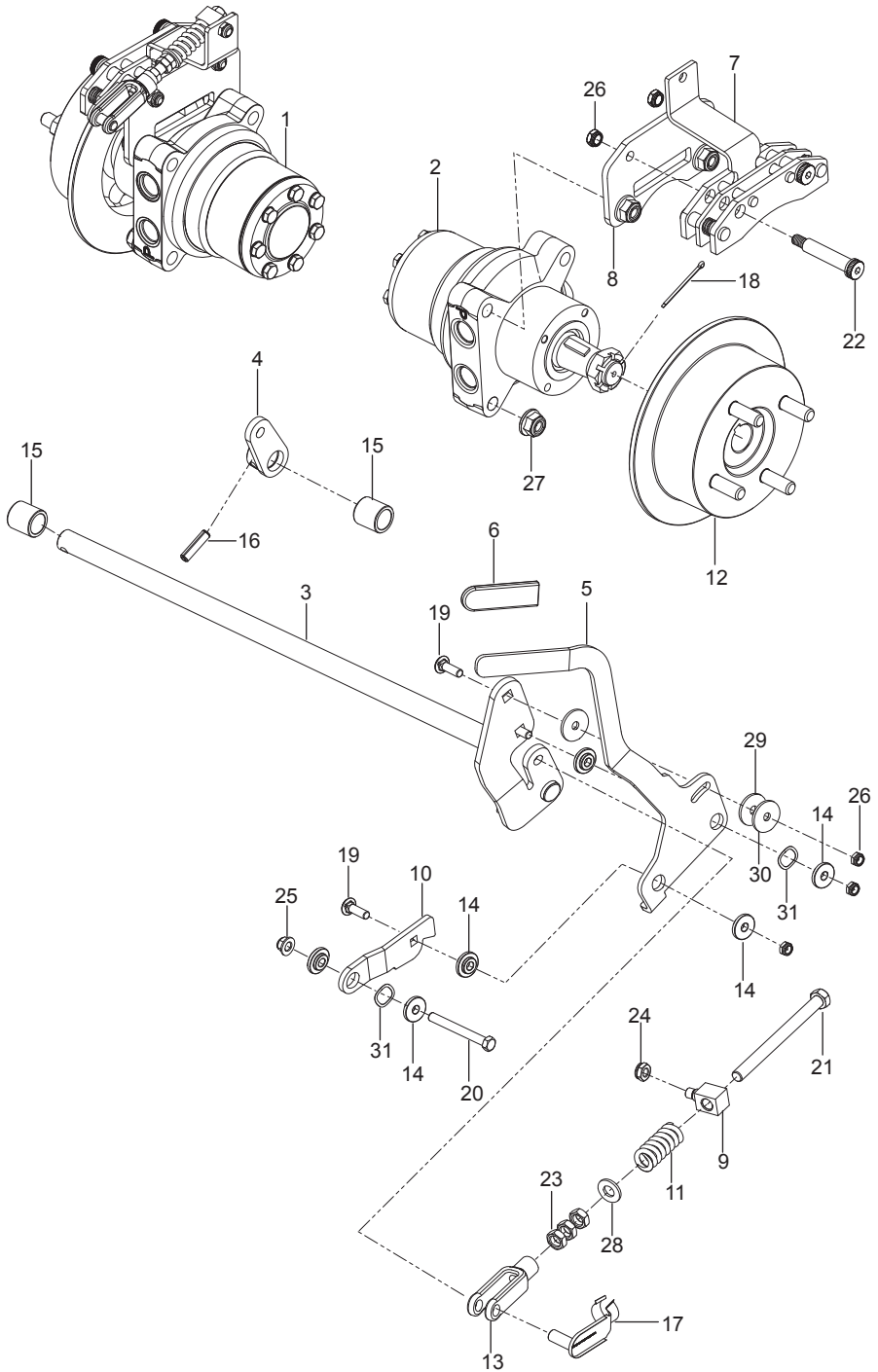
Ref.	Part No.	Qty	Description
1	516 02 03-01	2	Assembly, Dampener
2	525 44 79-01	1	Assembly, Seat Strut
3	539 11 37-92	1	Switch, Brake (3-Pole)
4	539 10 95-53	2	Switch, Interlock
5	539 13 15-18	4	Bearing, Flange
6	586 73 72-02	2	Bracket, Control
7	577 26 58-01	2	Bracket, Dampener
8	574 26 94-01	2	Lever, Motion
9	577 04 24-03	1	Lever W/ Grip Right
10	577 04 23-03	1	Lever W/ Grip Left
11	576 14 03-02	2	Lever, Control
12	539 10 91-49	4	Turnbuckle
13	539 10 25-90	4	Ball End
14	539 10 28-45	1	Spring
15	539 02 00-35	1	Spring
16	576 85 03-01	1	Spring
17	577 25 24-01	2	Spacer, Pivot
18	511 59 49-01	1	Bushing 1/4 Flange
19	511 59 50-01	1	Link, Switch
20	539 11 06-07	2	Ball Stud 10Mm
21	539 13 08-94	2	Grip, Lever
22	578 81 15-01	2	Bumper
23	539 13 17-99	1	Knob
24	522 55 92-01	2	Linkage, Control Front
25	522 84 28-01	2	Linkage, Control Rear
26	581 43 75-01	2	Block, Tracking
27	581 22 30-01	1	Plate, Nut
28	539 97 69-88	4	Hairpin Cotter
29	539 10 47-63	4	Retainer, U Type
30	872 11 04-06	1	Bolt 1/4-20 x 3/4 Round Head Square Neck Grade 2
31	539 99 03-16	2	Bolt 5/16-18 x 3/4 Round Head Square Neck
32	525 54 40-01	4	Bolt 5/16-18 x 1-1/4 Hex Flange Tap
33	874 78-08-44	2	Bolt 1/2-13 x 2-3/4 Hex Flange Head
34	525 61 28-01	4	Bolt 3/8-16 x 1 Hex Flange Head
35	874 78 05-20	1	Bolt 5/16-18 x 1-1/4 Hex Head Tap
36	874 49 05-12	4	Bolt 5/16-18 x 3/4 Hex Flange Head
37	576 85 04-02	2	Screw 5/16-18 x 1-3/4 Button Head
38	574 82 27-01	6	Screw 10-24 x 3/4 Socket Head
39	576 85 04-02	2	Screw 5/16-18 x 1-3/4 Button Head
40	539 99 02-23	4	Nut 5/16-24 Hex
41	539 10 81-20	4	Nut 1/4-20 Hex Thin Nyloc
42	539 10 80-10	2	Nut 1/2-13 Hex Jam Nyloc
43	539 91 38-47	2	Nut 3/8 Retainer
44	873 80 05-00	2	Nut 5/16-18 Hex Nyloc
45	539 99 02-23	4	Nut 5/16-24 Hex
46	539 10 87-32	4	Nut 3/8-24 Hex Jam
47	539 11 28-99	6	Nut 5/16-18 Hex Flange Nyloc
48	819 13 13-16	4	Washer 3/8 SAE Flat
49	539 99 06-92	4	Washer 5/16 Std Flat
50	810 03 05-00	2	Washer 5/16 Slotted Lock
51	819 11 11-16	4	Washer 5/16 SAE Flat

IGNITION SYSTEM



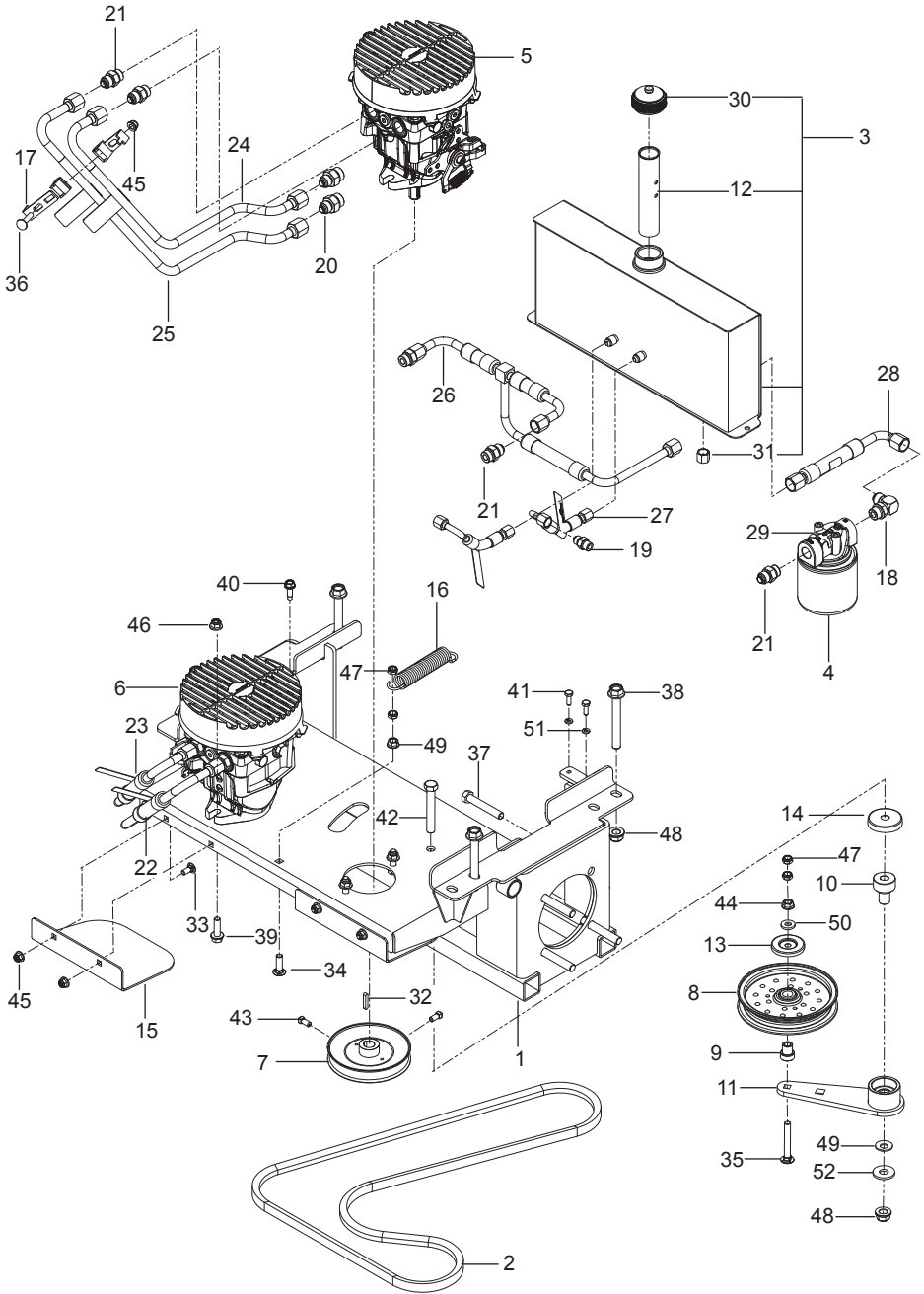
Ref.	Part No.	Qty	Description
1	589 99 71-01	1	Assembly, Tank Left Gry
2	590 02 59-01	1	Assembly, Tank Right Gry
3	529 28 02-02	1	Panel, Control Gry
4	574 51 40-01	1	Timer, Seat
5	586 16 18-01	1	Meter, Service
6	574 45 54-01	1	Switch, Ignition
7	582 10 76-02	1	Switch, PTO 10 Amp
8	574 45 55-01	1	Key, Ignition
9	574 20 70-01	1	Control, Throttle
10	574 20 69-01	1	Cable, Choke
11	539 13 26-24	1	Knob
12	539 10 24-36	1	Battery
13	575 01 81-01	2	Cap w/ Tether, Fuel
14	576 61 81-01	2	Valve, Fuel Check
15	525 86 54-01	2	Fitting, Fuel
16	522 71 87-01	1	Cable, Positive
17	522 71 07-01	1	Cable, Negative
18	539 10 31-78	1	Cap, Ignition Switch
19	587 59 34-01	1	Assembly, Vapor Line
20	577 15 05-01	1	Assembly, Fuel Line
21	539 10 27-59	2	Insulator
22	579 57 97 01	1	Cover, Battery Terminal
23	587 18 14-04	1	Bracket, Valve
24	510 02 99-02	1	Bracket, Battery Blk
25	588 10 72-01	1	Bracket, Battery Mount
26	510 06 40-01	2	J Hook
27	539 10 52-45	2	Grommet, Rubber
28	576 61 82-01	2	Grommet, Check Valve
29	539 10 59-74	1	Grommet
30	532 43 53 95	1	Loom 5/8 Split
31	539 99 09-97	2	Wingnut 1/4-20 Nyloc
32	539 99 05-80	1	Bolt 1/4-20 x 3/4 Hex Head
33	872 14 05-06	4	Bolt 5/16-18 x 3/4 Round Head Square Neck
34	574 82 27-01	4	Screw 10-24 x 3/4 Socket Head
35	539 11 43-41	3	Screw 10-24 x 3/8 Socket Head
36	539 97 69-77	4	Nut 10-24 Hex Nyloc
37	539 11 28-99	4	Nut 5/16-18 Hex Flange Nyloc
38	539 10 81-20	1	Nut 1/4-20 Hex Thin Nyloc
39	539 99 05-98	1	Washer 1/4 Flat
	NOT SHOWN		
	589 67 01-01	1	Harness, Wiring

PARKING BRAKE



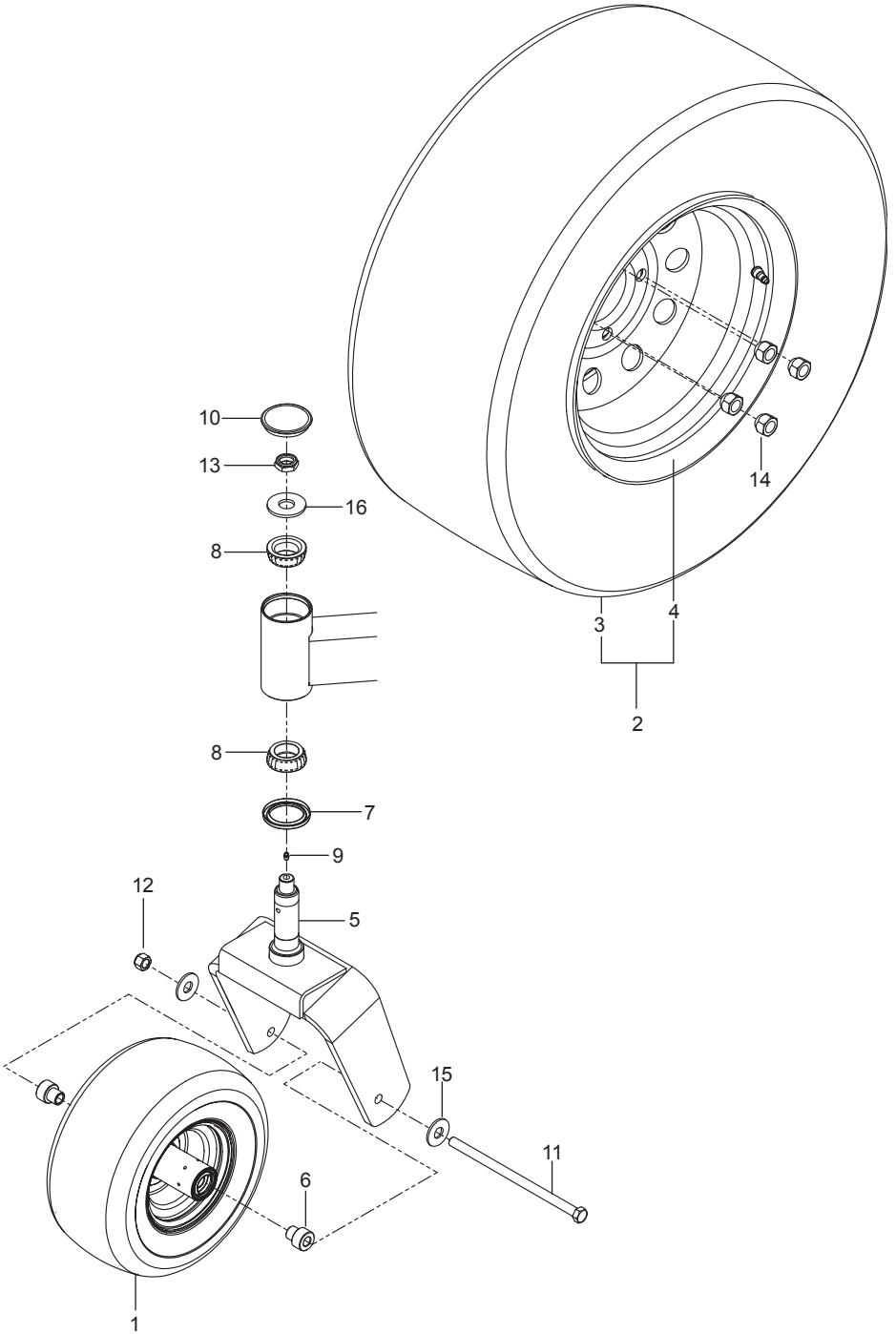
Ref.	Part No.	Qty	Description
1	574 80 52-02	1	Motor, Right
2	574 80 52-01	1	Motor, Left
3	525 85 12-01	1	Shaft, Brake
4	510 02 59-01	1	Arm, Brake
5	515 98 00-02	1	Lever, Brake
6	539 97 65-26	1	Grip, Lever
7	539 13 30-47	2	Caliper
8	525 85 16-01	2	Plate, Caliper
9	525 85 14-01	1	Swivel, Brake
10	515 98 03-01	1	Link, Follower
11	539 11 39-52	1	Spring
12	525 84 87-01	2	Hub, Disc Brake w/ Studs
13	539 97 74-65	1	Yoke
14	539 13 21-61	6	Bushing, Brake
15	510 08 92-01	2	Bushing, Sleeve 3/4 x 1
16	539 11 06-31	1	Roll Pin 5/16 Dia.
17	522 70 59-01	1	Pin 3/8 Clevis Spring
18	539 10 28-89	2	Cotter Pin 1/8 x 2
19	872 14 06-10	3	Bolt 3/8-16 x 1-1/4 Round Head Square Neck
20	539 92 34-63	1	Bolt 3/8-16 x 3-1/4 Hex Flange Head
21	539 10 49-84	1	Bolt 3/8-24 x 4-1/2 Hex Flange Head
22	516 03 55-01	4	Bolt 1/2 x 2-1/4, 3/8-16 Shoulder
23	539 10 87-32	3	Nut 3/8-24 Hex Jam
24	539 11 56-17	1	Nut 5/16-18 Hex Nyloc
25	521 99 65-01	1	Nut 3/8-16 Hex Flange Nyloc
26	539 20 02-82	9	Nut 3/8-16 Hex Jam Nyloc
27	521 99 11-01	8	Nut 1/2-13 Hex Flange Nyloc
28	819 13 13-16	1	Washer 3/8 SAE Flat
29	525 49 09-01	2	Washer, Friction
30	539 91 20-63	1	Washer, Cone
31	539 13 30-07	2	Washer, Wave

HYDRAULIC PUMP-MOTOR



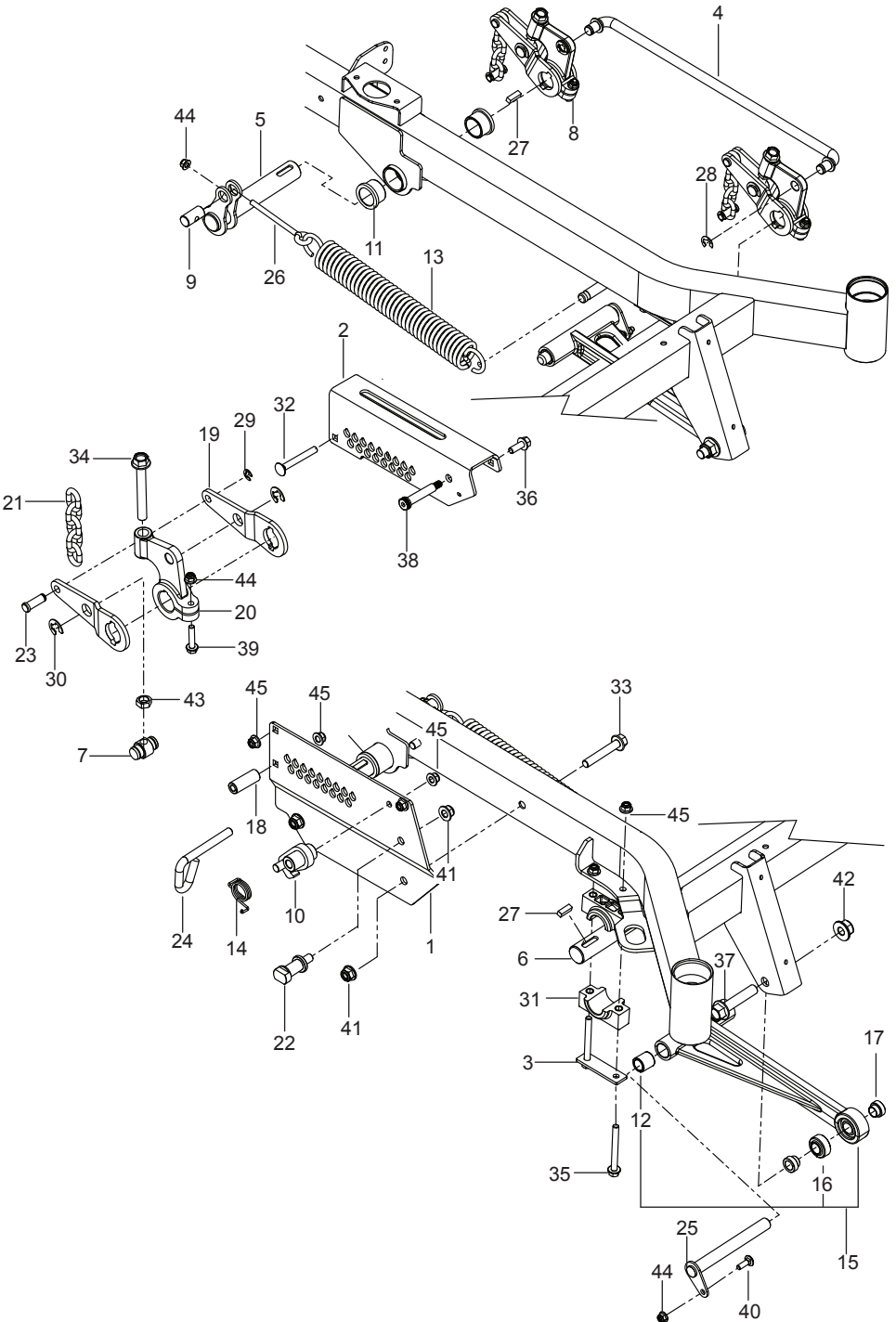
Ref.	Part No.	Qty	Description
1	506 00 79-02	1	Frame, Sub Blk
2	573 97 83-01	1	Belt
3	576 03 59-02	1	Assembly, Oil Tank
4	522 80 54-01	1	Filter, 25 Micron
5	506 12 04-01	1	Pump, 16CC Right
6	506 12 05-01	1	Pump, 16CC Left
7	510 01 90-02	2	Pulley, Pump 17 mm
8	510 28 37-02	1	Pulley, Idler
9	525 43 56-01	1	Pivot, Idler
10	510 20 63-01	1	Pivot, Bearing
11	510 04 16-03	1	Arm, Idler w/ Bearings
12	522 80 50-01	1	Tube, Anti-Splash
13	510 25 45-01	1	Shield, Dust
14	539 11 46-62	1	Shield, Dust
15	574 39 85-02	2	Shield, Pulley
16	574 43 72-01	1	Spring, Pump
17	576 57 77-01	2	Assembly, Vibration
18	539 10 12-42	1	Elbow 90 Degree
19	539 10 33-16	2	Connector
20	539 10 12-39	4	Connector, Straight
21	539 10 12-37	7	Connector, Straight
22	510 01 36-01	1	Line, Hydraulic, Right-A
23	510 01 37-01	1	Line, Hydraulic, Right-B
24	510 01 38-01	1	Line, Hydraulic, Left-A
25	510 01 39-01	1	Line, Hydraulic, Left-B
26	510 01 40-01	1	Line, Hydraulic, Charge
27	510 01 45-01	2	Line, Hydraulic, Case
28	510 01 07-01	1	Line, Hydraulic, Suction
29	575 87 23-01	1	Filter Head
30	522 80 53-01	1	Cap, Hydraulic
31	539 10 51-68	1	Cap
32	539 10 11-77	2	Key, Metric
33	872 14 05-06	4	Bolt 5/16-18 x 3/4 Round Head Square Neck
34	872 14 06-10	1	Bolt 3/8-16 x 1-1/4 Round Head Square Neck
35	872 14 06-22	1	Bolt 3/8-16 x 2-3/4 Round Head Square Neck
36	872 14 05-12	1	Bolt 5/16-18 x 1-1/2 Round Head Square Neck
37	874 78 08-44	8	Bolt 1/2-13 x 2-3/4 Hex Head
38	525 54 48-01	4	Bolt 1/2-13 x 4 Hex Flange Head
39	874 49 06-20	4	Bolt 3/8-16 x 1-1/4 Hex Flange Head
40	817 49 05-16	2	Screw 5/16-18 x 1 Thread Form
41	539 99 00-72	2	Bolt 1/4-20 x 5/8 Hex Head
42	874 78 08-52	1	Bolt 1/2-13 x 3-1/4 Hex Head
43	539 10 27-17	4	Screw 5/16-18 x 5/8 Set
44	539 99 06-13	1	Nut 3/8-16 Hex Whiz lock
45	539 11 28-99	5	Nut 5/16-18 Hex Flange Nyloc
46	521 99 65-01	4	Nut 3/8-16 Hex Flange Nyloc
47	539 20 02-82	4	Nut 3/8-16 Hex Jam Nyloc
48	521 99 11-01	5	Nut 1/2-13 Hex Flange Nyloc
49	539 11 55-28	1	Washer 1/2 Belleville
50	522 02 34-01	1	Washer 3/8 Thick
51	539 99 00-52	2	Washer 1/4 Split Lock
52	819 18 22-12	1	Washer 1/2 Flat

WHEELS & TIRES



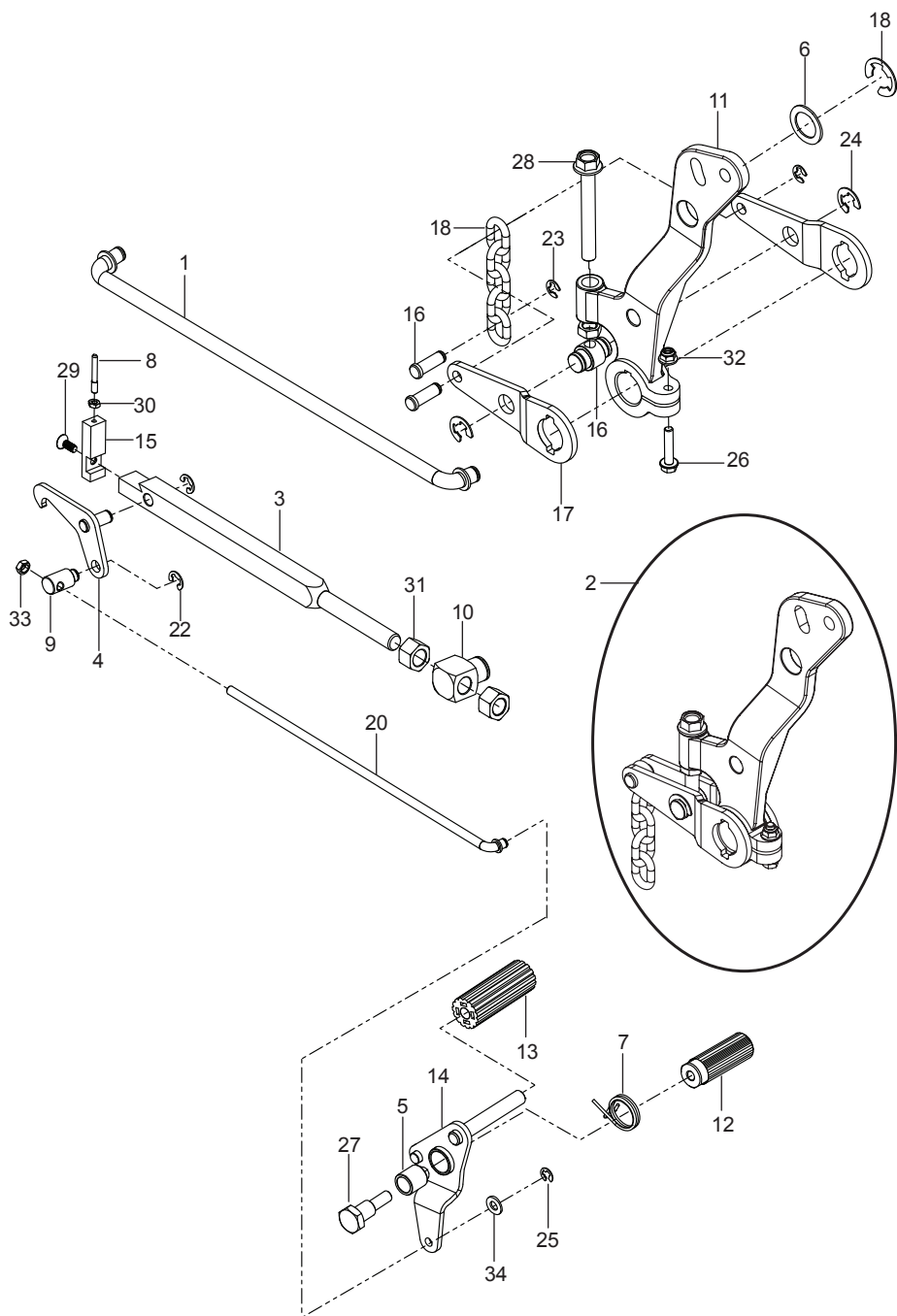
Ref.	Part No.	Qty	Description
1	510 15 46-01	2	Assembly, Tire 13 x 6.5
2	510 15 45-01	2	Assembly, Tire 24 x 12-12
3	539 10 51-52	2	Tire 24 x 12-12 Turf Master
4	510 15 45-02	2	Rim
5	525 61 19-02	2	Yoke, Caster, Org
6	539 10 55-18	4	Spacer, Axle
7	510 03 43-01	2	Seal, Bearing
8	510 03 44-03	4	Cone
9	539 10 14-74	2	Zerk
10	510 03 40-01	2	Cap, Dust
11	539 10 55-17	2	Bolt 1/2-13 x 9-1/2 Hex Nyloc
12	521 99 11-01	2	Nut 1/2-13 Hex Flange Nyloc
13	522 84 26-01	2	Nut 3/4-16 Hex Thin Nyloc
14	587 65 39-02	8	Nut, Lug
15	539 99 02-50	4	Washer 1/2 SAE
16	574 82 47-01	2	Washer 3/4 Hardened
	NOT SHOWN - OPTIONAL		
	539 10 55-21	2	Assembly, Tire 13 x 6.5 Pneumatic

MOWER LIFT / DECK LIFT



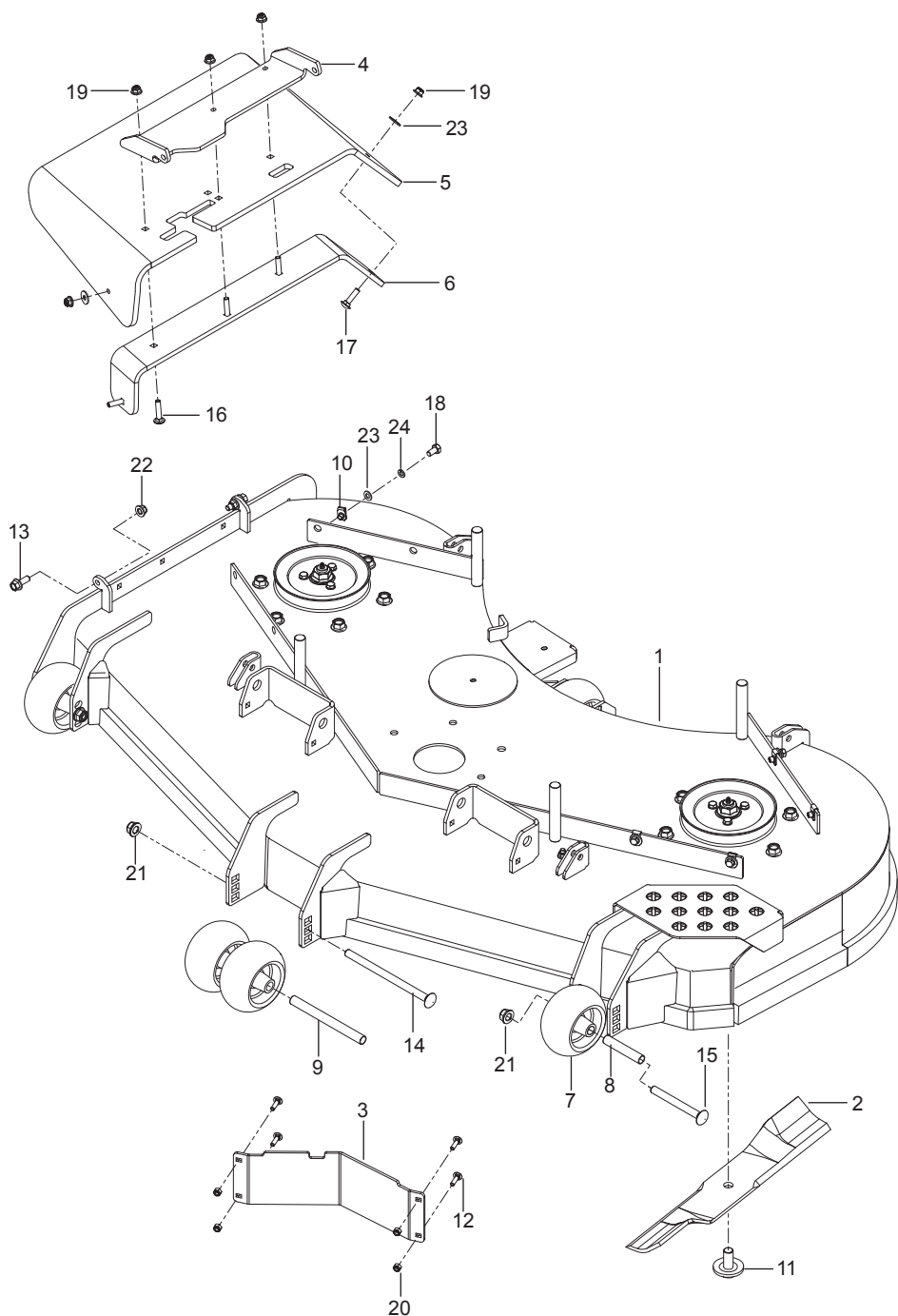
Ref.	Part No.	Qty	Description
1	510 40 85-02	1	Plate, Inner Height Org
2	510 40 86-02	1	Plate, Outer Height Org
3	525 82 22-01	2	Plate, Pillow Block
4	510 08 98-01	1	Rod, Lift
5	510 41 07-03	2	Shaft, Lift Rear
6	510 40 96-02	1	Shaft, Lift Front
7	510 02 36-01	3	Trunion, Lift Shaft
8	525 46 55-01	3	Assembly, Deck Lift
9	510 41 23-01	2	Pivot, Spring
10	510 40 68-01	1	Latch, Transport
11	510 08 94-01	4	Bushing, Flanged
12	510 08 92-01	2	Bushing, Sleeve 3/4 x 1
13	510 02 92-01	2	Spring, Extension
14	510 37 66-01	1	Spring, Torsion
15	510 10 65-01	2	Assembly, Strut
16	510 08 38-01	1	Swivel 3/4 Balljoint
17	510 36 25-01	4	Spacer, Strut
18	510 40 84-01	1	Spacer, Height Plate
19	510 41 00-02	3	Arm, Lift
20	510 02 25-01	1	Arm, Cast Lift
21	539 10 26-41	3	Lift Chain
22	510 40 67-01	1	Guide, Height Bar
23	510 09 01-01	6	Pin 7/16 Clevis
24	510 01 65-01	1	Pin, Height
25	515 98 82-01	2	Pin, Strut
26	539 12 09-93	2	Eyebolt 4-1/2
27	525 82 25-01	4	Key 5/16 Square x 1
28	539 10 50-69	2	E-Ring 5/8
29	522 70 52-01	4	E-Ring 7/16
30	539 10 24-54	6	E-Ring 3/4
31	525 82 22-01	2	Plate, Pillow Block
32	539 12 27-28	1	Bolt 3/8-16 x 3 Round Head Square Neck Grade 2
33	874 49 08-48	2	Bolt 1/2-13 x 3 Hex Flange Head
34	525 46 57-01	3	Bolt 1/2-13 x 4 Hex Flange Head
35	874 49 06-52	4	Bolt 3/8-16 x 3-1/2 Hex Flange Head
36	525 61 28-01	2	Bolt 3/8-16 x 1 Hex Flange Head
37	874 45 10-48	2	Bolt 5/8-11 x 3 Hex Flange Head Grade 8
38	516 03 55-01	1	Bolt 1/2 x 2-1/4 3/8-16 Shoulder
39	525 46 54-01	1	Bolt 5/16-18 x 1-1/2 Hex Flange Head
40	872 11 05-08	2	Bolt 5/16-18 x 1 Round Head Square Neck
41	521 99 11-01	3	Nut 1/2-13 Hex Flange Nyloc
42	525 82 91-01	2	Nut 5/8-11 Flange Nyloc
43	539 99 06-25	4	Nut 1/2-13 Hex Jam
44	539 11 28-99	7	Nut 5/16-18 Hex Flange Nyloc
45	521 99 65-01	4	Nut 3/8-16 Hex Flange Nyloc

PEDALS



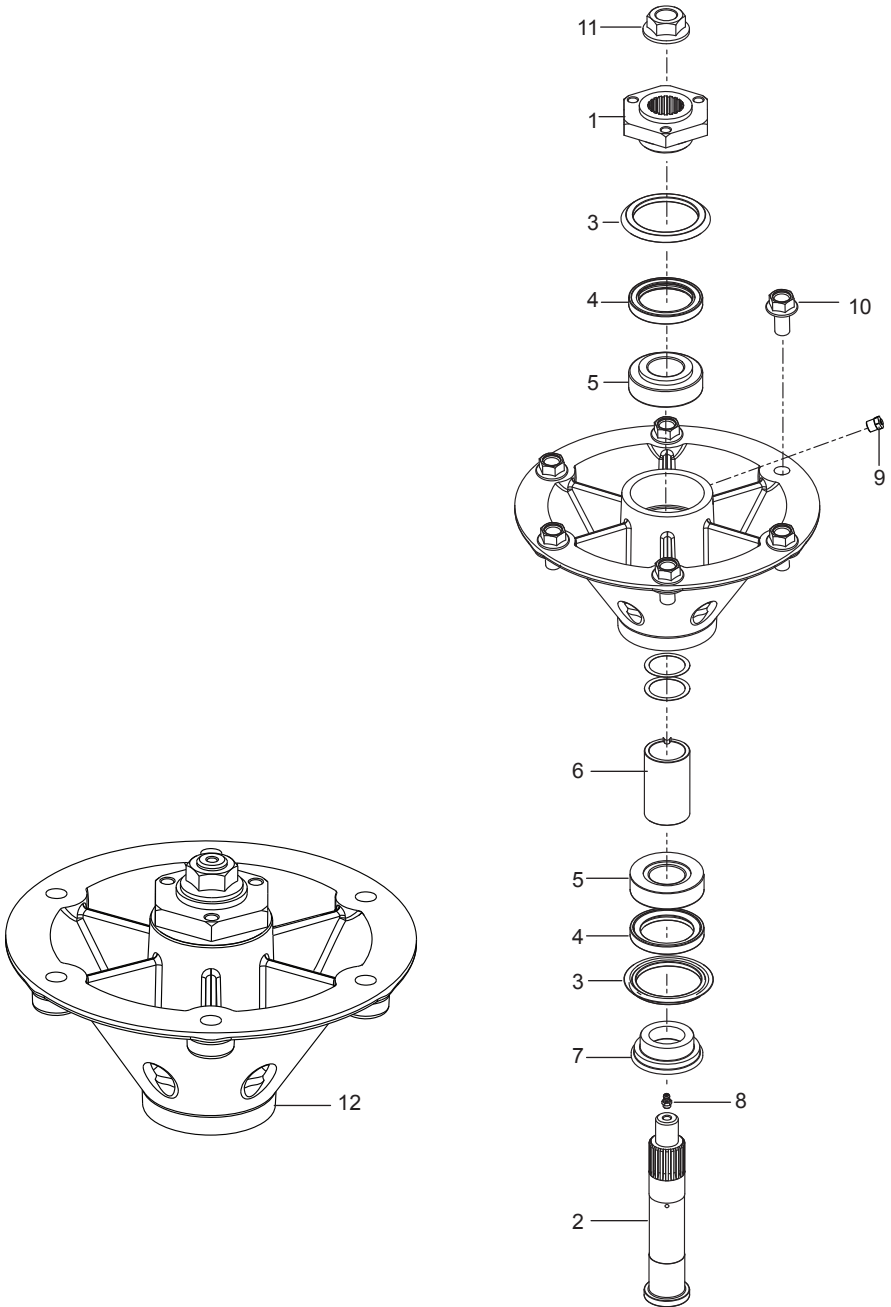
Ref.	Part No.	Qty	Description
1	510 08 98-01	1	Rod, Lift
2	525 46 55-01	3	Assembly, Deck Lift
3	510 40 63-01	1	Bar, Height
4	510 40 72-01	1	Latch, Height
5	510 08 92-01	1	Bushing, Sleeve 3/4 x 1
6	539 91 65-61	1	Bushing
7	510 37 67-01	1	Spring, Torsion
8	510 40 66-01	1	Link, Indicator
9	510 40 75-01	1	Swivel, Height Latch
10	510 40 64-01	1	Swivel, Height Bar
11	510 02 25-02	1	Lever, Deck Lift
12	510 08 95-01	1	Pad, Foot Pedal
13	510 40 83-01	1	Pedal, Deck Height
14	510 40 78-01	1	Release, Pedal
15	510 40 65-01	1	Cap, Height Bar
16	510 02 36-01	1	Trunion, Lift Shaft
17	510 41 00-02	1	Arm, Lift
18	539 10 26-41	1	Lift Chain
19	510 09 01-01	2	Pin 7/16 Clevis
20	510 40 76-01	1	Rod, Height Latch
21	539 91 27-30	1	E-Ring 1
22	539 10 19-49	2	E-Ring 1/2
23	539 10 50-69	2	E-Ring 5/8
24	539 10 24-54	2	E-Ring 3/4
25	539 99 08-70	1	E-Ring 3/8
26	525 46 54-01	1	Bolt 5/16-18 x 1-1/2 Hex Flange Head
27	510 40 82-01	1	Bolt, Shoulder
28	525 46 57-01	1	Bolt 1/2-13 x 4 Hex Flange Head
29	522 70 56-01	1	Screw 5/16-18 x 3/4 Hex Socket
30	539 99 11-12	1	Nut 1/4-20 Hex Jam
31	539 10 86-77	2	Nut 3/4-10 Hex
32	539 11 28-99	1	Nut 5/16-18 Hex Flange Nyloc
33	539 10 87-32	1	Nut 3/8-24 Hex Jam
34	819 13 13-16	1	Washer 3/8 SAE Flat

MOWER DECK / CUTTING DECK



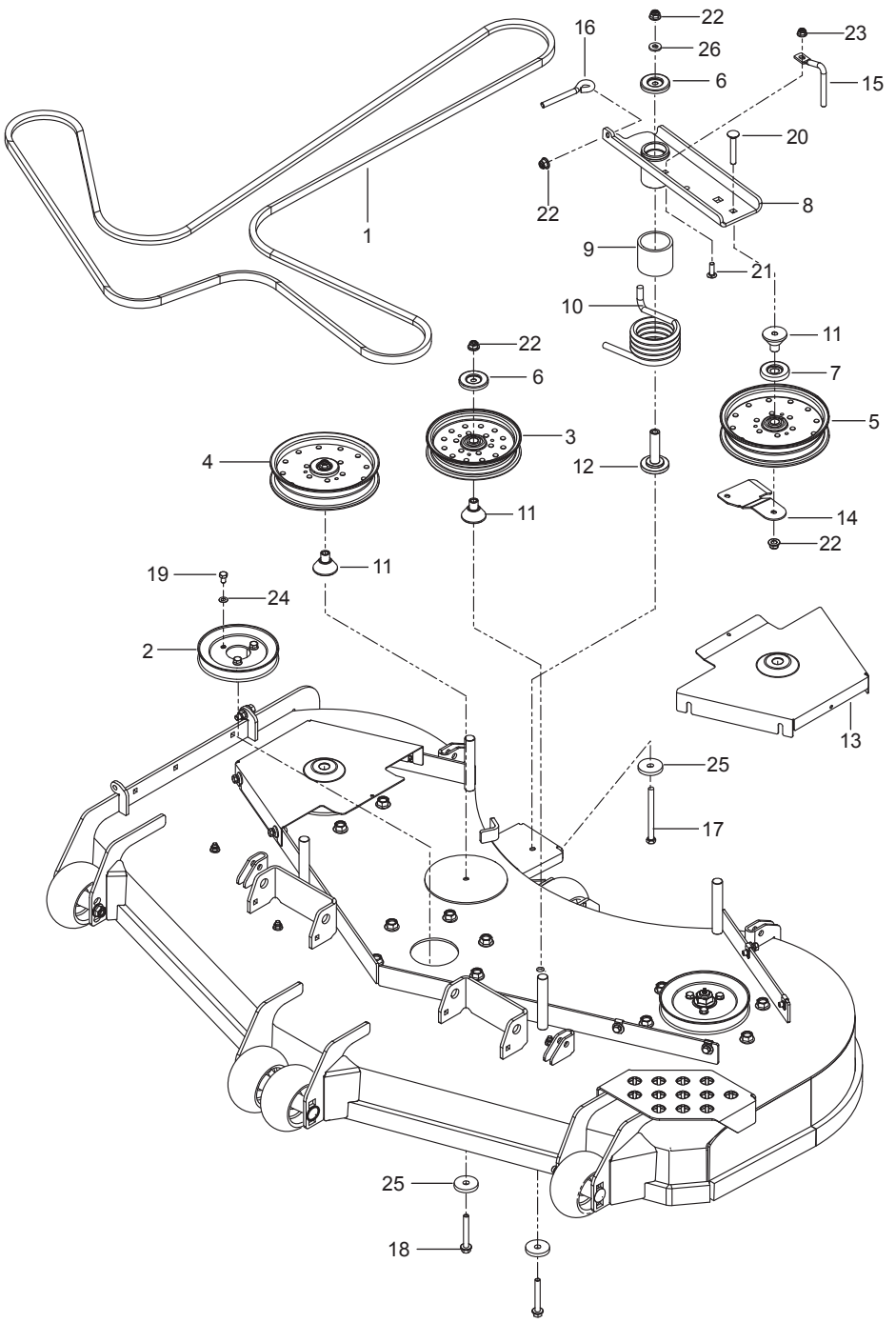
Ref.	Part No.	Qty	Description
1	588 12 76-02	1	Deck w/ Safety Decals
2	539 10 57-11	3	Blade, 21"
3	510 43 75-02	1	Baffle, Flow Diverter
4	574 19 70-02	1	Bracket, Chute Pivot
5	525 48 58-01	1	Chute, Discharge
6	525 48 60-02	1	Support, Chute Bracket
7	574 16 96-01	5	Roller, Gauge
8	574 19 64-01	3	Tube, Roller Axle
9	574 19 65-01	1	Tube, Roller Axle Long
10	539 10 47-63	8	Retainer, U Type
11	539 11 90-07	3	Bolt, Blade
12	539 11 56-20	4	Bolt 1/4-20 x 3/4 Carriage
13	525 61 28-01	2	Bolt 3/8-16 x 1 Hex Flange Head
14	872 14 08-64	1	Bolt 1/2-13 x 8 Round Head Square Neck
15	510 02 23-01	2	Bolt 1/2-13 x 4-3/4 Round Head Square Neck
16	539 10 29-33	3	Bolt 5/16-18 x 1-1/2 Round Head Square Neck
17	539 10 04-72	2	Bolt 5/16-18 x 1-1/4 Round Head Square Neck
18	874 78 05 16	8	Bolt 5/16-18 x 1 Hex Head
19	539 11 28-99	5	Nut 5/16-18 Hex Flange Nyloc
20	539 97 69-78	4	Nut 1/4-20 Hex Nyloc
21	521 99 11-01	4	Nut 1/2-13 Hex Flange Nyloc
22	521 99 65-01	2	Nut 3/8-16 Hex Flange Nyloc
23	819 12 14-14	10	Washer 5/16 Std Flat
24	810 03 05-00	8	Washer 5/16 Slotted Lock
	NOT SHOWN		
	522 82 93-01	3	Blade, High Lift 21"
	574 48 13-01	3	Blade, Low Lift 21"
	522 93 66-01	3	Blade, Gator 21"
	539 10 97-55	3	Blade, Wavy Rev Lift 21"

SPINDLE ASSEMBLY



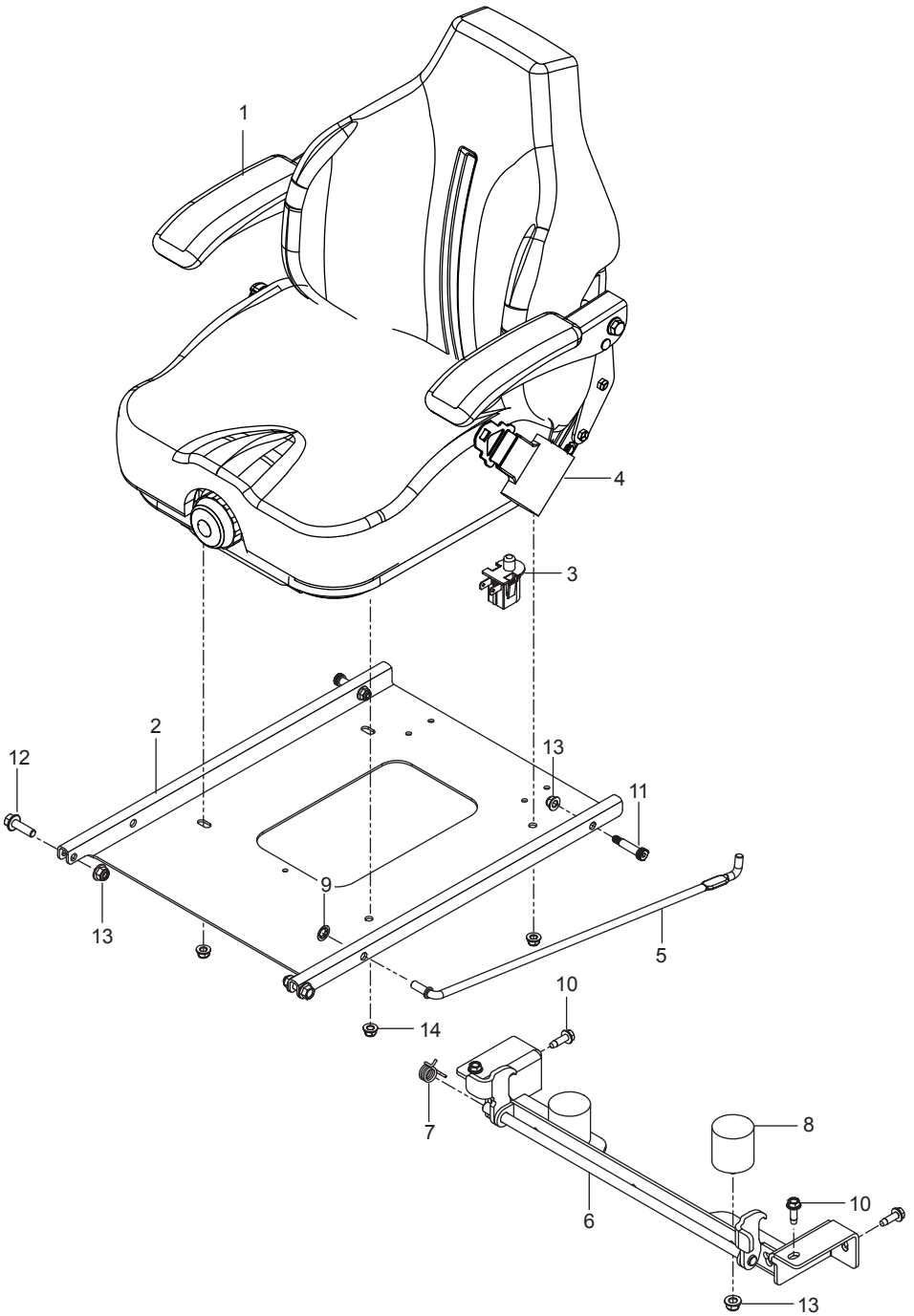
Ref.	Part No.	Qty	Description
1	580 94 22-01	3	Hub
2	580 94 21-01	3	Shaft, Spindle
3	580 94 27-01	3	Seal, V Ring
4	580 94 26-01	6	Seal, Shaft
5	580 94 18-01	6	Bearing, Tapered
6	580 94 23-01	3	Spacer
7	580 94 25-01	3	Carrier, Seal
8	539 97 69-98	3	Zerk
9	539 97 73-26	3	Valve, Grease Poppet
10	574 21 06-01	18	Bolt 1/2-13 X 1 Hex Flange Head
11	539 13 06-53	3	Nut 3/4-16 Hex Flange
12	580 94 33-04	3	Assembly, Spindle
	NOT SHOWN - OPTIONAL		
	574 75 42-01	1	Kit, Bearing Assembly When replacing the Spindle bearings, order the Bearing Assembly Kit to assure proper installation

BELT GUARDS AND PULLEYS



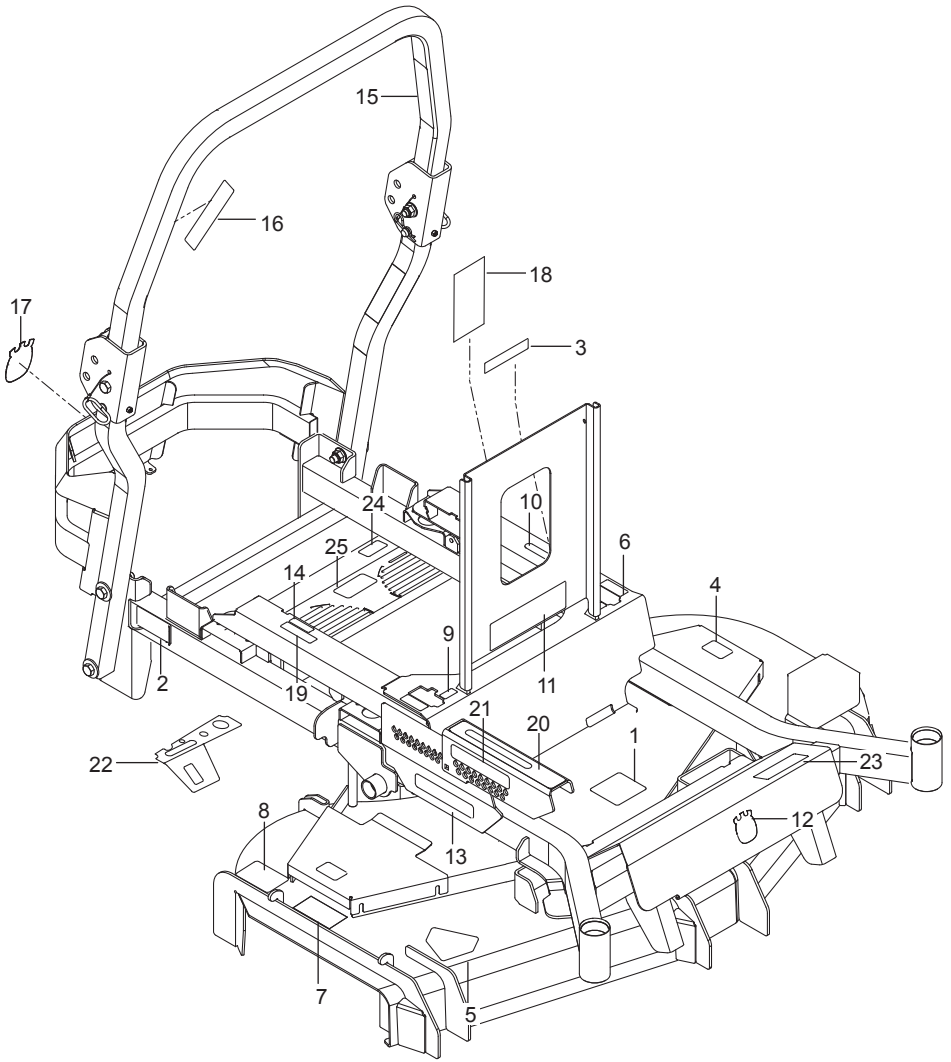
Ref.	Part No.	Qty	Description
1	588 26 48-01	1	Belt
2	539 13 06-46	3	Pulley
3	525 59 82-01	1	Pulley, Idler 7" Narrow
4	510 01 96-01	1	Puller, Idler 6" Narrow
5	510 01 51-01	1	Pulley, Idler 7"
6	510 25 45-01	3	Shield, Dust
7	510 26 22-01	1	Shield, Dust
8	525 46 44-03	1	Arm, Idler w/ Spacer, Bearings
9	525 46 56-01	1	Spacer, Idler Pivot
10	525 31 09-01	1	Spring, Torsion, Idler
11	510 26 37-01	3	Bearing, Idler Arm
12	522 72 97-01	1	Bearing, Idler Pivot
13	510 13 12-02	2	Guard, Belt
14	574 26 21-02	1	Belt Guide, Blk
15	574 26 22-01	1	Belt Keeper
16	574 20 20-01	1	Eyebolt 3/8 x 4
17	539 10 16-86	1	Bolt 3/8-16 x 4-1/2 Hex Head Grade 8
18	874 49 06-44	2	Bolt 3/8-16 x 2-3/4 Hex Flange Head
19	539 13 03-15	9	Bolt 5/16-18 x 1/2 Hex Head
20	539 12 81-01	1	Bolt 3/8-16 x 2-1/2 Carriage
21	872 11 05-08	1	Bolt 5/16-18 x 1 Round Head Square Neck
22	521 99 65-01	5	Nut 3/8-16 Hex Flange Nyloc
23	539 11 28-99	1	Nut 5/16-18 Hex Flange Nyloc
24	539 10 96-00	9	Washer 5/16 Disc Spring
25	539 10 65-04	3	Washer, Heavy
26	522 02 34-01	1	Washer 3/8 Thick

SEAT



Ref.	Part No.	Qty	Description
1	501 55 28-01	1	Assembly, Seat
2	510 03 93-02	1	Pan, Seat
3	589 42 33-01	1	Switch, Seat
4	539 13 03-59	1	Seat Belt
5	510 06 41-01	1	Rod, Seat
6	585 85 74-02	1	Latch, Seat Blk
7	520 28 31-01	1	Spring, Torsion
8	510 28 38-01	2	Bumper, Rubber
9	539 91 38-47	2	Retainer Nut 3/8
10	817 49 05-19	4	Screw 5/16-18 x 1 Thread Form
11	515 99 06-01	2	Bolt 3/8 x 1-1/4 - 5/16-18 Shoulder
12	525 83 42-01	2	Bolt 3/8 -16 x 1-1/4 Hex Flange Head
13	521 99 65-01	6	Nut 3/8 -16 Hex Flange Nyloc
14	539 11 28-99	4	Nut 5/16-18 Hex Flange Nyloc

DECALS



Ref.	Part No.	Qty	Description
1	574 43 73-01	1	Decal, Belt Route
2	539 10 57-44	1	Decal, Belt Drive Warning
3	539 10 57-45	1	Decal, Battery Warning
4	581 72 43-01	2	Decal, No Step
5	539 10 57-46	1	Decal, Severing
6	589 28 30-01	2	Decal, Motion Control
7	584 90 46-01	1	Decal, Blade Warning
8	581 72 44-01	1	Decal, Deflector
9	585 14 26-01	2	Decal, Tracking
10	585 14 88-01	1	Decal, Park Brake
11	583 93 40-01	1	Decal, Warning
12	532 42 86-76	1	Decal, Crown H Small
13	532 42 91-96	2	Decal, Husqvarna
14	574 56 94-01	1	Decal, Fuse
15	574 56 90-06	1	Decal, ROPS
16	574 56 90-02	1	Decal, ROPS Warning
17	574 45 50-01	1	Decal, Crown Large
18	574 82 59-01	1	Decal, Service
19	532 42 41-02	1	Decal, Spark Arrestor
20	516 03 81 01	1	Decal, Height
21	525 34 97-01	1	Decal, Height
22	510 24 66-02	1	Decal, Console
23	581 38 44 01	1	Decal, PZ60
24	577 15 01-01	1	Decal, Fuel
25	539 11 48-32	1	Decal, Synthetic Oil

www.husqvarna.com

115 71 15-27 Rev D
2016-12-15