

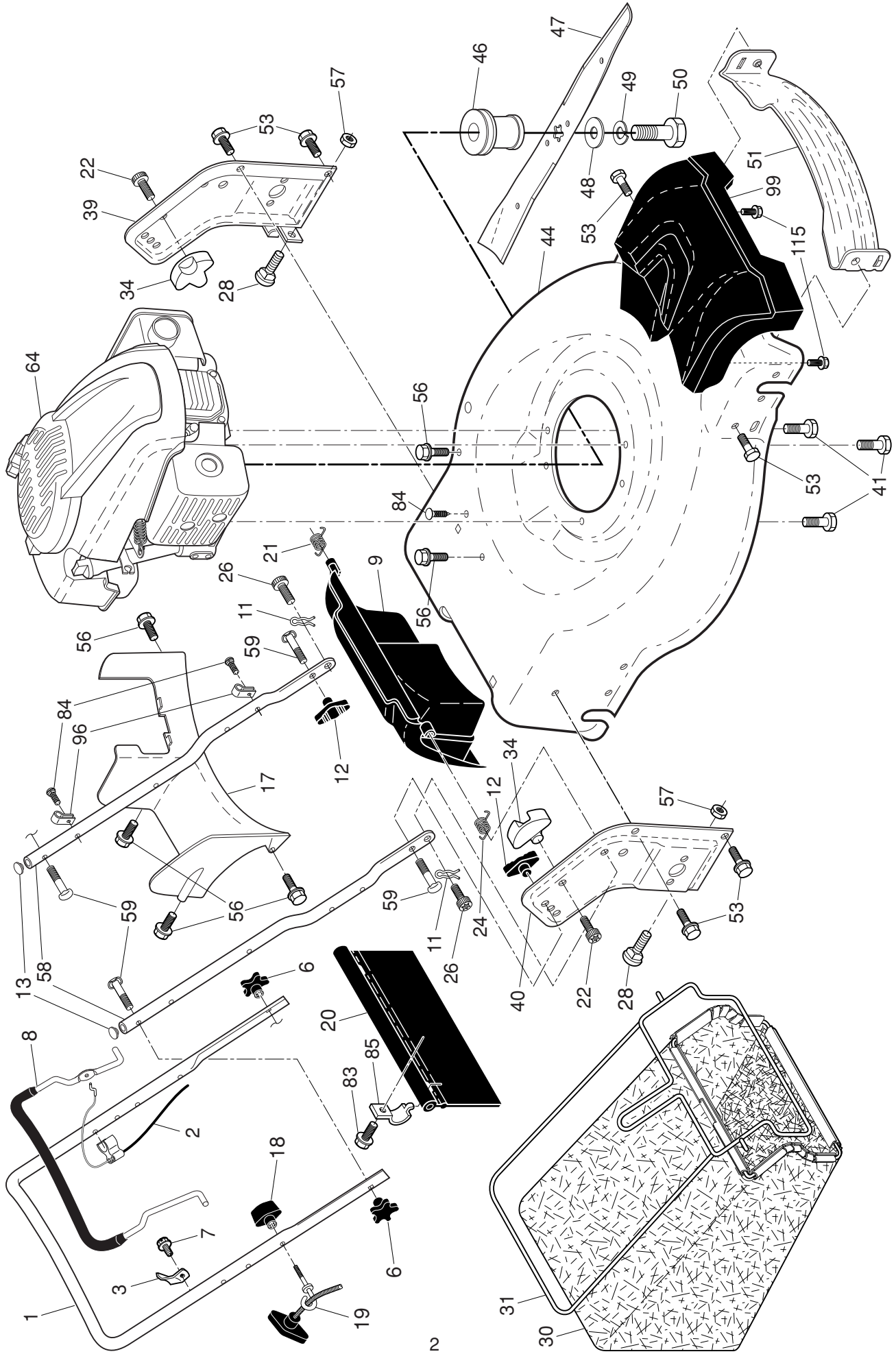
ILLUSTRATED PARTS LIST

MODEL NUMBER HU675AWD

PRODUCT NUMBER 961 43 01-80

MFG. ID. NUMBER 96143010800

HUSQVARNA ROTARY LAWN MOWER - MODEL NO. HU675AWD (96143010800) PRODUCT NO. 961 43 01-08



HUSQVARNA ROTARY LAWN MOWER - MODEL NO. HU675AWD (96143010800) PRODUCT NO. 961 43 01-08

KEY PART NO.	DESCRIPTION	KEY PART NO.	DESCRIPTION
1	Upper Handle Assembly	41	Screw, Dogpoint 3/8-16 x 1-1/8
2	Cable, Engine Zone Control	44	Kit, Lawn Mower Housing
3	Bracket, Upstop	46	Blade Adapter
6	Handle Knob, Star	47	Blade, 22"
7	Screw #10-16 x 5/8	48	Washer, Hardened
8	Control Bar, Overmolded	49	Washer, Helical
9	Rear Door Assembly	50	Bolt, Hex Head, Grade 8 3/8-24 x 1-3/8
11	Hairpin, Door/Handle Pivot	51	Front Baffle
12	Handle Knob, Standard	53	Screw
13	Plug, Lower Handle Bar	56	Screw, Hex Washer Head #13 x 3/4
17	Rear Baffle	57	Nut, Hex
18	T-Knob	58	Lower Handle
19	Rope Guide	59	Handle Bolt
20	Rear Skirt	64	Engine, Kohler, Model Number XT675-3076 (For engine service and replacement parts, call Kohler at 1-800-544-2444)
21	Spring, Rear Door, LH, Black	83	Screw, Hex Washer Head
22	Screw, Panhead, Torx #20	84	Fastener, Push
24	Spring, Rear Door, RH, Grey	85	Mounting Bracket, Rear Skirt
26	Screw, Rear Door/Handle Pivot	96	Clip, Cable
28	Bolt, Carriage 5/16-18 x 5/8	99	Front Shroud Assembly
30	Grassbag	115	Screw
31	Frame, Grass Catcher	--	Operator's Manual, English / Spanish
34	Bracket, Grassbag		
39	Handle Bracket, LH		
40	Handle Bracket, RH		

NOTE: All component dimensions given in U.S. inches. 1 inch = 25.4 mm. **IMPORTANT:** Use only Original Equipment Manufacturer (O.E.M.) replacement parts. Failure to do so could be hazardous, damage your lawn mower and void your warranty.

HUSQVARNA ROTARY LAWN MOWER - MODEL NO. HU675AWD (96143010800) PRODUCT NO. 961 43 01-08

KEY PART NO.	PART NO.	DESCRIPTION	KEY PART NO.	PART NO.	DESCRIPTION
1	586 03 33-01	Drive Control Assembly (Includes Cable)	28	812 00 00-58	E-Ring 7/16
2	586 07 28-02	Mounting Bracket, Idler Pulleys	29	581 84 04-01	Cover, Dust, Wheel
4	585 30 57-01	Gearcase Assembly, Front, Complete	30	532 43 81-30	Nut, Hex
7	532 19 84-53	Bar, Drive Control	31	532 40 48-45	Pawl, Drive
8	532 40 48-35	Pinion	32	580 36 53-01	Wheel & Tire Assembly
12	580 36 46-02	Belt, Drive	33	532 40 91-48	Nut, Flangelock 3/8-16
13	581 68 08-01	Gearcase Assembly, Rear, Complete	34	532 19 74-80	O-Ring
14	586 03 84-01	Pulley, Drive	37	532 16 34-09	Screw, Hi-Lo Thread, #12 x 5/8
15	581 49 79-03	Wheel Adjuster Assembly, RH	41	532 42 11-14	Kit, Water Washout Assembly
16	581 49 79-04	Wheel Adjuster Assembly, LH	42	532 41 97-35	Fitting, Water Washout
18	532 70 10-37	Knob, Wheel Adjuster	43	532 41 55-85	Washer, Lock, Internal Tooth
20	580 80 69-01	Debris Shield	44	532 41 55-86	Locknut, Hex, with O-Ring
22	817 00 05-10	Screw, Hex Head 1/4-20	45	581 24 13-01	Belt Keeper, Gearcase, Front
25	532 42 60-65	Mounting Bracket, Debris Shield	46	584 29 94-01	Screw
26	581 15 25-02	Belt Keeper, Gearcase, Rear	48	581 90 40-01	Pulley Assembly, Idler
27	532 06 77-25	Washer, Flat	49	581 33 45-01	Screw, Mounting, Idler Pulley
			55	581 35 13-01	Spring, Tension
			59	532 44 21-13	Support Bracket

NOTE: All component dimensions given in U.S. inches. 1 inch = 25.4 mm. **IMPORTANT:** Use only Original Equipment Manufacturer (O.E.M.) replacement parts. Failure to do so could be hazardous, damage your lawn mower and void your warranty.