

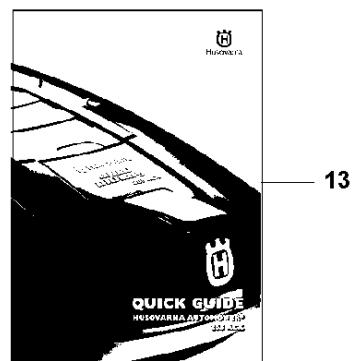
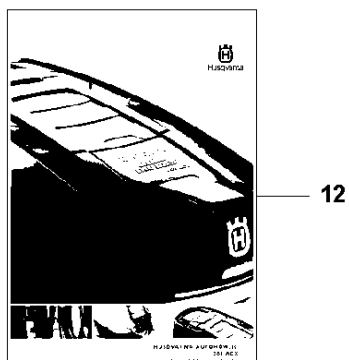
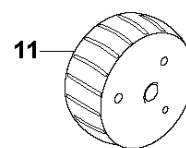
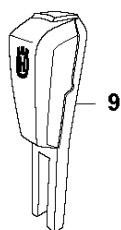
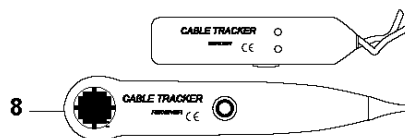
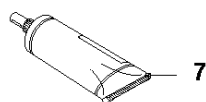
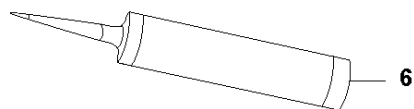
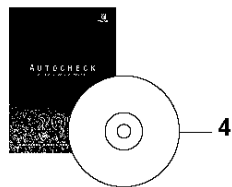
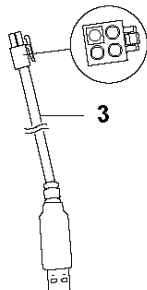
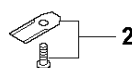
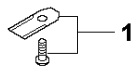


# SPARE PARTS LIST

ROBOTIC LAWN MOWERS

AUTOMOWER 265 ACX, 2014-01

# H AUTOMOWER 265 ACX ACCESSORIES

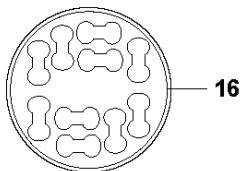
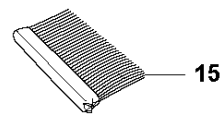
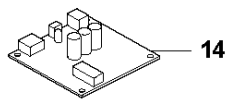
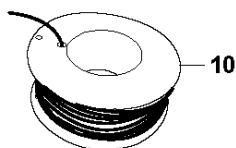
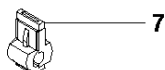
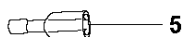
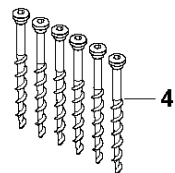
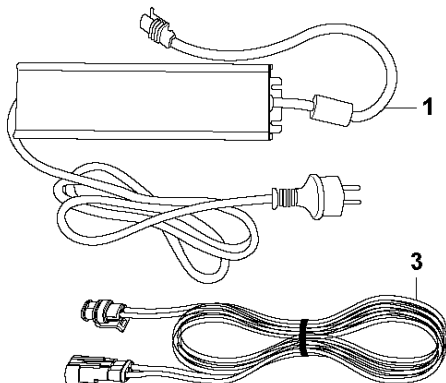


## ACCESSORIES

AUTOMOWER 265 ACX, 2014-01

Ref	Part No	Description	Remark	QTY KIT
1	535 13 87-03	BLADE	Carbon steel, 9pcs	1
1	577 86 44-01	BLADE	Carbon steel, Blister Pack, 9pcs	1
1	535 13 88-03	BLADE	Carbon steel, 45pcs	1
1	505 12 78-02	BLADE	Carbon steel, 500pcs	1
2	577 60 64-03	BLADE	Carbon steel, Thick, 9pcs	1
2	577 86 46-01	BLADE	Carbon steel, Thick, Blister Pack, 9pcs	1
2	577 60 65-03	BLADE	Carbon steel, Thick, 45pcs	1
2	577 60 66-02	BLADE	Carbon steel, Thick, 300pcs	1
3	535 13 23-02	WIRING		1
4	577 85 81-02	DVD		1
6	578 05 13-02	GREASE TUBE	300 ml	1
7	578 05 13-01	GREASE TUBE	85 ml	1
8	577 60 68-01	TEST EQUIPMENT		1
9	522 42 58-01	BOOSTER		1
10	522 91 66-01	BAG		1
11	575 23 17-02	WHEEL KIT	400g	1
11	577 86 51-01	WHEEL KIT	400g, Blister pack, 2pcs	1
12	115 53 40-01	OPERATOR'S MANUAL	Swedish	1
12	115 53 40-06	OPERATOR'S MANUAL	Danish	1
12	115 53 40-11	OPERATOR'S MANUAL	Finnish	1
12	115 53 40-21	OPERATOR'S MANUAL	Norwegian	1
12	115 53 40-26	OPERATOR'S MANUAL	English	1
12	115 53 40-31	OPERATOR'S MANUAL	French	1
12	115 53 40-32	OPERATOR'S MANUAL	French (Canada)	1
12	115 53 40-36	OPERATOR'S MANUAL	Dutch	1
12	115 53 40-41	OPERATOR'S MANUAL	Italian	1
12	115 53 40-46	OPERATOR'S MANUAL	Spanish	1
12	115 53 40-51	OPERATOR'S MANUAL	German	1
12	115 53 40-56	OPERATOR'S MANUAL	Russian	1
12	115 53 40-58	OPERATOR'S MANUAL	Hungarian	1
12	115 53 40-59	OPERATOR'S MANUAL	Portuguese	1
12	115 53 40-61	OPERATOR'S MANUAL	Polish	1
12	115 53 40-63	OPERATOR'S MANUAL	Estonian	1
12	115 53 40-64	OPERATOR'S MANUAL	Lettish	1
12	115 53 40-65	OPERATOR'S MANUAL	Lithuanian	1
12	115 53 40-68	OPERATOR'S MANUAL	Slovak	1
12	115 53 40-84	OPERATOR'S MANUAL	Slovenian	1
12	115 53 40-90	OPERATOR'S MANUAL	Czech	1
12	115 53 40-95	OPERATOR'S MANUAL	English (EPA, CARB)	1
12	115 53 40-96	OPERATOR'S MANUAL	Spanish (USA)	1
13	115 42 55-01	QUICK GUIDE	Swedish	1
13	115 42 55-06	QUICK GUIDE	Danish	1
13	115 42 55-11	QUICK GUIDE	Finnish	1
13	115 42 55-21	QUICK GUIDE	Norwegian	1
13	115 42 55-26	QUICK GUIDE	English	1
13	115 42 55-31	QUICK GUIDE	French	1
13	115 42 55-32	QUICK GUIDE	French (Canada)	1
13	115 42 55-36	QUICK GUIDE	Dutch	1
13	115 42 55-41	QUICK GUIDE	Italian	1
13	115 42 55-46	QUICK GUIDE	Spanish	1
13	115 42 55-51	QUICK GUIDE	German	1
13	115 42 55-56	QUICK GUIDE	Russian	1
13	115 42 55-58	QUICK GUIDE	Hungarian	1
13	115 42 55-59	QUICK GUIDE	Portuguese	1
13	115 42 55-61	QUICK GUIDE	Polish	1
13	115 42 55-63	QUICK GUIDE	Estonian	1
13	115 42 55-64	QUICK GUIDE	Lettish	1
13	115 42 55-65	QUICK GUIDE	Lithuanian	1
13	115 42 55-68	QUICK GUIDE	Slovak	1
13	115 42 55-84	QUICK GUIDE	Slovenian	1
13	115 42 55-90	QUICK GUIDE	Czech	1
13	115 42 55-95	QUICK GUIDE	English (EPA, CARB)	1
13	115 42 55-96	QUICK GUIDE	Spanish (USA)	1

**G** AUTOMOWER 265 ACX  
ACCESSORIES

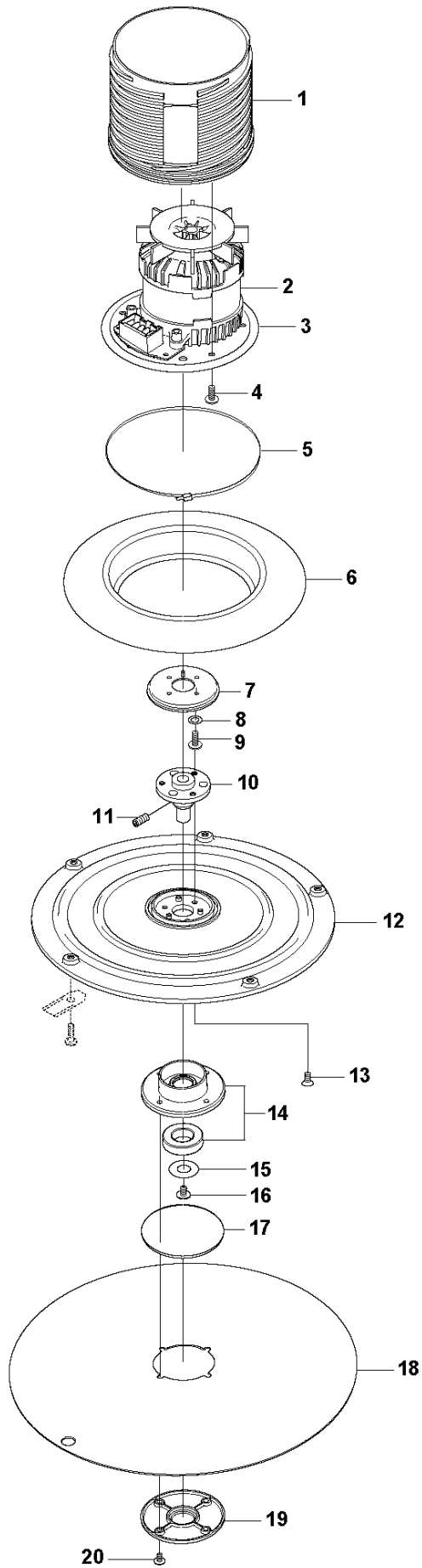


## ACCESSORIES

AUTOMOWER 265 ACX, 2014-01

Ref	Part No	Description	Remark	QTY KIT
1	578 27 53-01	TRANSFORMER	EU	1
1	578 27 53-02	TRANSFORMER	UK/IRL	1
1	578 27 53-03	TRANSFORMER	CH	1
1	578 27 53-04	TRANSFORMER	US/MX	1
1	578 27 53-05	TRANSFORMER	AU/NZ	1
2	583 97 34-01	STAPLE	100pcs	1
2	577 86 42-01	STAPLE	Blister pack, 100pcs	1
3	578 84 86-01	CABLE	20m	1
4	575 23 86-01	SCREW KIT		1
4	577 86 49-01	SCREW	Blister pack, 3pcs	2
5	529 28 08-01	TERMINAL		1
6	580 66 20-02	WIRE	150m	1
6	577 86 43-01	WIRE	Blister pack, (150m)	1
7	535 12 90-01	COUPLER		1
7	577 86 48-01	CONNECTOR	Blister Pack, 5pcs	1
8	580 66 20-01	WIRE	250m	1
9	501 98 02-01	COUPLER		1
9	577 86 47-01	COUPLER	Blister pack, 5pcs	1
10	522 91 41-01	WIRE	500 m, Ø3.4 mm	1
11	501 98 02-03	COUPLER	100pcs	1
12	525 63 70-01	MEASURING ROD		1
13	577 91 40-01	LABEL		1
14	584 82 20-01	CIRCUIT BOARD ASSY		1
15	505 13 28-02	BRUSH	6pcs	1
16	586 27 79-01	STICKER	10pcs	1

**D** AUTOMOWER 265 ACX  
BLADE MOTOR  
& CUTTING EQUIPMENT

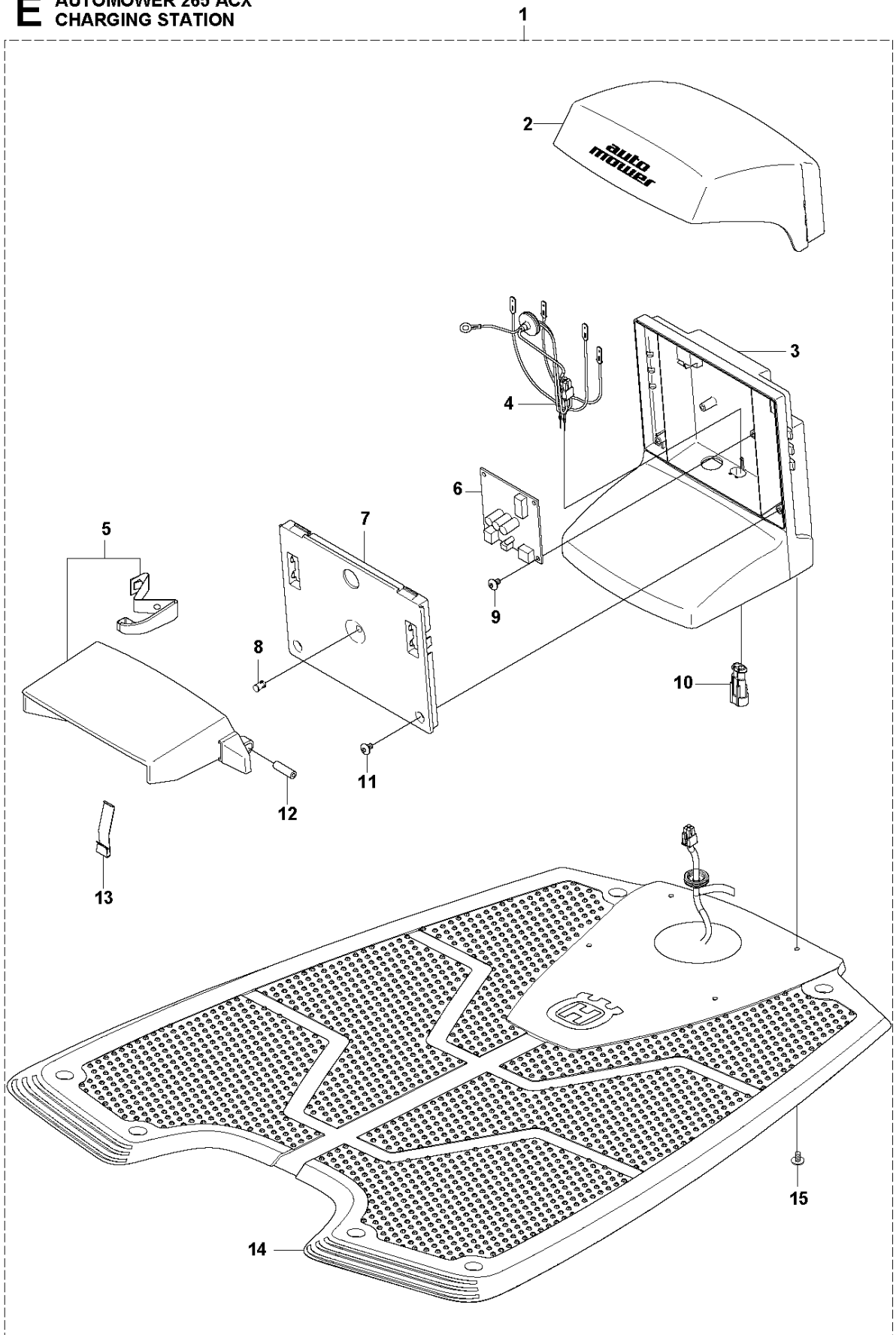


## BLADE MOTOR &amp; CUTTING EQUIPMENT

AUTOMOWER 265 ACX, 2014-01

Ref	Part No	Description	Remark	QTY KIT
1	510 14 41-01	MOTOR BOWL		1
2	522 51 06-02	CUTTING ENGINE		1
3	510 14 42-01	DISC		1
4	575 54 33-14	SCREW	Grey 14mm	6
5	525 25 14-01	TIE WRAP		1
6	535 12 23-01	RUBBER GAITERS		1
7	510 06 62-01	COLLAR		1
8	735 21 46-01	LOCK WASHER		1
9	502 23 91-01	SCREW		1
10	575 52 16-01	HUB		1
11	728 83 60-01	SCREW IHSETM	M6x6	1
12	510 05 86-02	DISC		1
13	535 13 05-01	SCREW	M4x8	3
14	577 35 76-01	BEARING KIT		1
15	734 18 14-59	WASHER		1
16	535 07 60-01	SCREW	M6x8	1
17	575 54 72-01	O-RING		1
18	575 52 19-01	SKID PLATE		1
19	575 52 18-01	BEARING COVER		1
20	586 01 24-01	SCREW IHSCM	SCREW	4

**E** AUTOMOWER 265 ACX  
CHARGING STATION

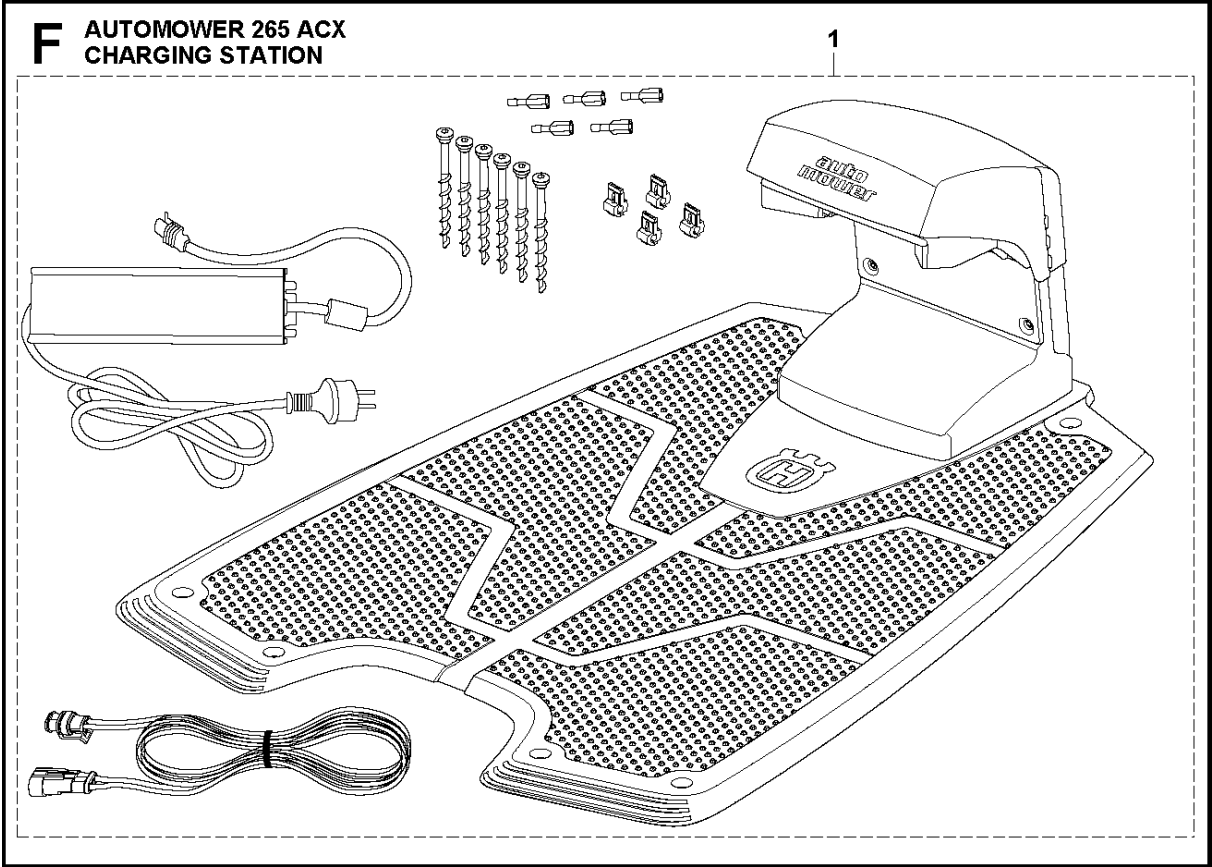




## CHARGING STATION

AUTOMOWER 265 ACX, 2014-01

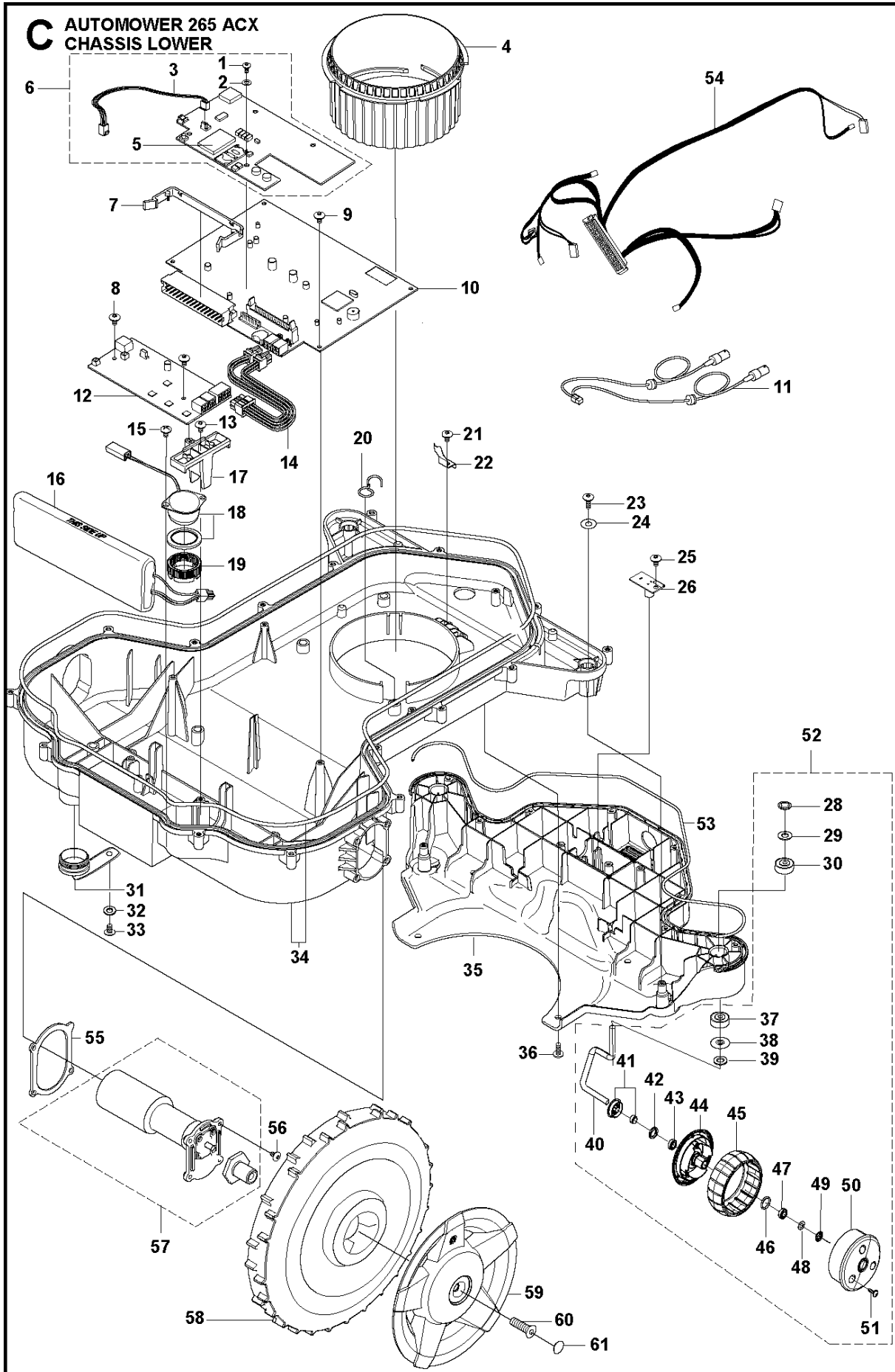
Ref	Part No	Description	Remark	QTY KIT	
1	574 90 20-07	CHARGING STATION		1	
1	574 90 20-08	CHARGING STATION	CH	1	
2	535 12 47-02	COVER		1	1
3	578 89 41-01	FRAME		1	1
4	544 98 38-08	WIRING ASSY		1	1
5	510 05 97-02	KIT		1	1
6	578 78 84-01	PRINTED CIRCUIT ASSY		1	1
6	584 82 20-01	CIRCUIT BOARD ASSY	CH	1	1
7	535 12 44-01	HUB CAP		1	1
8	535 12 87-02	DIODE LENS		1	1
9	575 54 33-10	SCREW	Silver 10mm	2	1
10	535 12 85-01	CONTACT HOUSING		1	1
11	575 54 33-14	SCREW	Grey 14mm	2	2
12	535 12 50-01	PIN		2	1
13	535 12 86-01	SPRING PLATE		2	2
14	575 23 16-01	CHARGING PLATE		1	2
15	575 54 33-14	SCREW	Grey 14mm	4	2



CHARGING STATION

AUTOMOWER 265 ACX, 2014-01

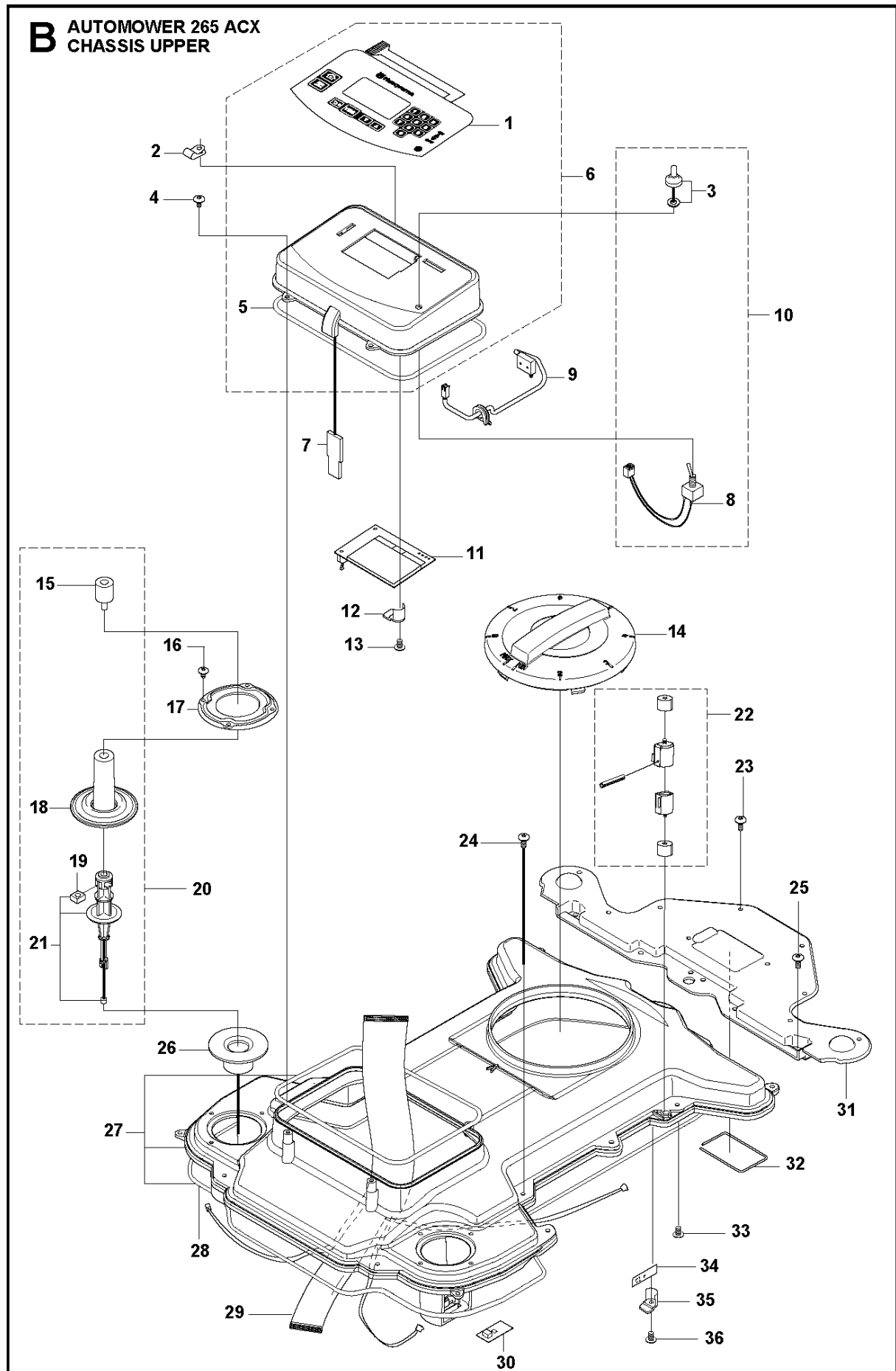
Ref	Part No	Description	Remark	QTY	KIT
1	579 57 28-01	CHARGING STATION	EU	1	4
1	579 57 28-02	CHARGING STATION	UK/IRL	1	
1	579 57 28-03	CHARGING STATION	CH	1	
1	579 57 28-04	CHARGING STATION	US/CA/MX	1	
1	579 57 28-05	CHARGING STATION	AU/NZ	1	



## CHASSIS LOWER

AUTOMOWER 265 ACX, 2014-01

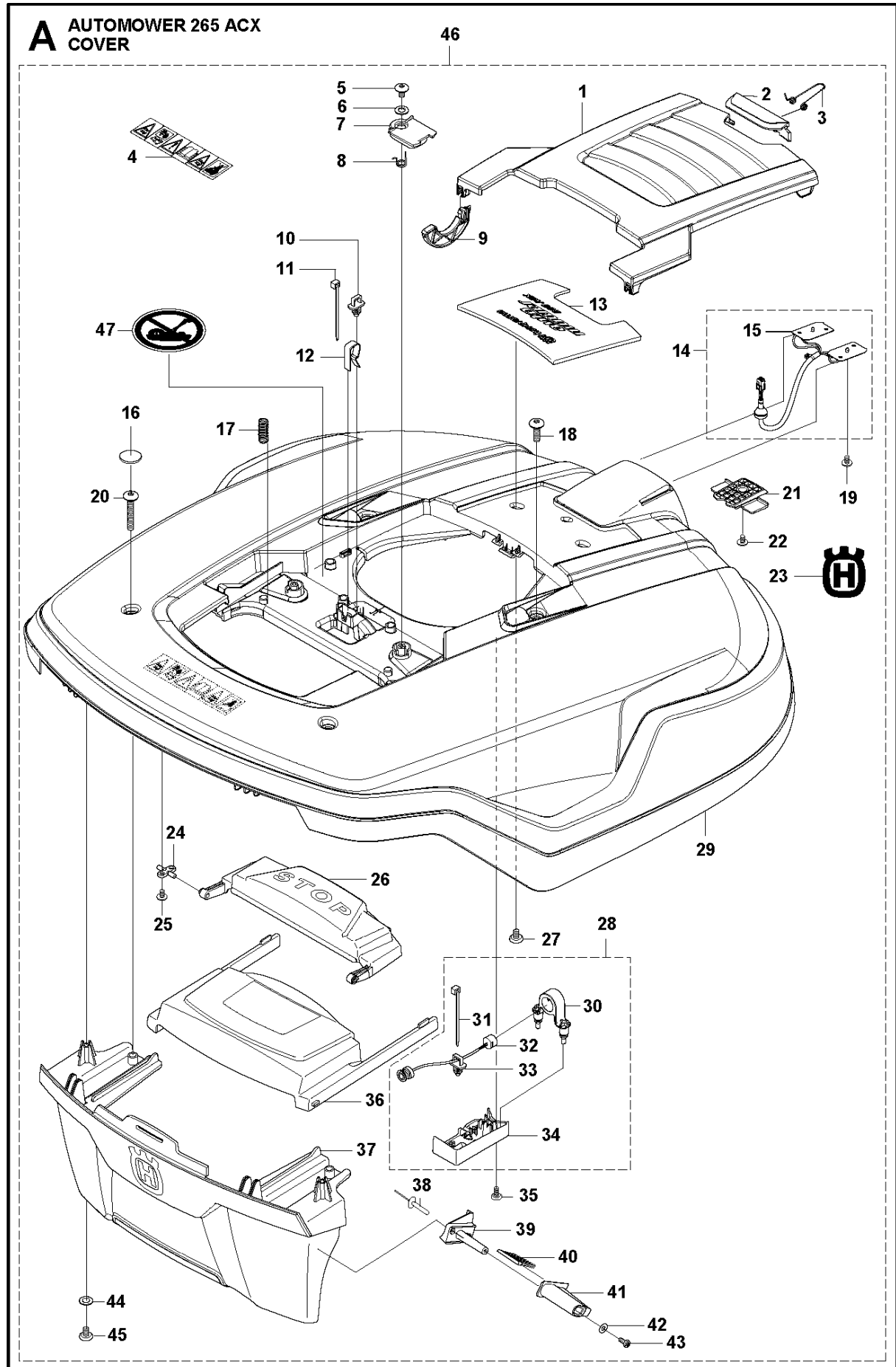
Ref	Part No	Description	Remark	QTY	KIT
1	522 59 71-01	SCREW	SCREW	2	6
2	522 59 72-01	WASHER	WASHER	2	6
3	576 21 94-01	LOOM	LOOM	1	6
4	535 12 21-02	NUT	NUT	1	
5	576 38 10-01	BATTERY	Battery GPS module	1	6
6	575 24 24-03	GPS MODULE	KIT, GPS MODULE	1	
7	578 05 61-01	CLIP	CLIP	1	
7	578 05 61-02	CLIP	CLIP, 50 pcs	1	
8	575 54 33-12	SCREW	SCREW, Yellow 12mm	2	
9	575 54 33-10	SCREW	SCREW, Silver 10mm	4	
10	578 97 43-01	PRINTED CIRCUIT ASSY	MAIN CIRCUIT BOARD (MCB)	1	
11	523 05 60-02	WIRING ASSY	WIRING ASSY	1	
12	581 75 78-02	CIRCUIT BOARD ASSY	ULTRASONIC BOARD (PCB)	1	
13	575 54 33-14	SCREW	SCREW, Grey 14mm	2	
14	578 89 84-01	LOOM	LOOM	1	
15	502 85 96-01	SCREW		1	
16	578 84 87-02	BATTERY	BATTERY, Li-Ion	2	
17	579 73 42-01	BRACKET	BRACKET	2	
18	501 00 42-01	LOUD SPEAKER		1	
19	579 52 12-01	NUT		1	
20	535 13 96-01	CABLE HOLDER		1	
21	535 13 03-14	SCREW ITXPANT		2	
22	535 12 24-01	LOCKING SPRING		2	
23	575 54 33-14	SCREW	Grey 14mm	2	
24	734 11 37-41	WASHER		2	
25	575 54 33-10	SCREW		2	
26	578 78 88-01	PRINTED CIRCUIT ASSY		2	
28	576 01 93-01	LOCK WASHER		2	52
29	580 76 46-01	WASHER		2	52
30	580 60 51-01	BALL BEARING		2	52
31	574 42 74-02	PLUG		1	
32	734 11 37-41	WASHER		1	
33	575 54 33-14	SCREW	Grey 14mm	1	
34	575 94 39-02	CHASSIS		1	
36	575 54 33-14	SCREW	Grey 14mm	4	
35	510 08 67-02	BRACKET		1	
37	580 60 51-01	BALL BEARING		2	52
38	535 08 78-03	WASHER		2	52
39	580 76 46-01	WASHER		2	52
40	505 19 35-02	SPINDLE		2	52
41	581 62 15-01	SHIELD KIT		2	52
42	580 48 71-01	SEALING		2	52
43	580 60 51-01	BALL BEARING		2	52
44	579 45 71-01	WHEEL		2	52
45	574 44 98-01	WHEEL		2	52
46	580 44 51-01	O-RING		2	52
47	580 60 51-01	BALL BEARING		2	52
48	580 76 46-01	WASHER		2	52
49	576 01 93-01	LOCK WASHER		2	52
50	579 45 72-01	WHEEL		2	52
51	575 54 33-14	SCREW		6	52
52	574 30 03-03	KIT		2	
53	522 03 93-01	SEALING RING		1	
54	501 00 37-04	MAIN WIRING		1	
55	535 13 92-03	GASKET		2	57
56	575 54 33-16	SCREW	Orange 16mm	8	
57	544 90 70-03	DRIVE MOTOR		2	
58	544 90 58-03	REAR WHEEL		2	
59	544 90 51-02	HUB CAP		2	
60	535 13 94-01	SCREW IHCSFM	M8x14	2	
61	504 20 08-01	COVER WASHER		2	



## CHASSIS UPPER

AUTOMOWER 265 ACX, 2014-01

Ref	Part No	Description	Remark	QTY	KIT
1	522 98 59-01	KEYBOARD		1	6
2	577 52 72-01	CABLE CLAMP		1	
3	535 10 17-01	HUB CAP		1	10
4	574 45 01-01	SCREW ITXPANT		4	
5	575 98 63-01	SEALING STRIP	10 pcs, Ø4mm	1	6, 27
5	574 87 47-02	SEALING STRIP	Ø4mm	1	
6	575 94 42-03	DISPLAY COVER		1	
7	535 14 47-01	FILTER		1	
8	535 12 39-01	MAIN SWITCH		1	10
9	577 59 23-01	SWITCH KIT		1	
10	535 12 39-01	MAIN SWITCH		1	
11	540 06 03-03	DISPLAY		1	
12	535 12 79-01	BRACKET		1	
13	575 54 33-14	SCREW	Grey 14mm	1	
14	535 12 22-01	STEERING WHEEL		1	
15	577 67 06-02	RUBBER DAMPER		2	20
16	575 54 33-14	SCREW	Grey 14mm	8	
17	505 17 43-01	RING FASTENER		2	
18	577 52 58-01	RUBBER GAITERS		1	20
19	503 22 66-01	SQUARE NUT		2	10
20	577 59 84-02	COLUMN		2	
21	579 24 88-01	COLUMN		2	20
22	544 14 15-03	SENSOR		2	
23	575 54 33-14	SCREW	Grey 14mm	10	
24	574 45 01-01	SCREW ITXPANT		12	
25	574 45 01-01	SCREW ITXPANT		4	
26	535 14 32-01	DEFLECTION LIMITER		2	
27	575 94 38-01	CHASSIS		1	
28	575 98 62-01	SEALING STRIP	10 pcs, Ø4mm	1	
28	574 87 47-01	SEALING STRIP	Ø4mm	1	27
29	544 12 69-01	WIRING		1	
30	578 78 90-01	PRINTED CIRCUIT ASSY		2	
31	510 08 66-01	BRACKET		1	
32	522 03 93-02	SEALING RING		1	
33	535 07 60-02	SCREW	M6x10	2	
34	578 78 90-01	PRINTED CIRCUIT ASSY		1	
35	535 12 79-01	BRACKET		1	
36	575 54 33-14	SCREW	Grey 14mm	1	





## COVER

AUTOMOWER 265 ACX, 2014-01

Ref	Part No	Description	Remark	QTY	KIT
1	510 14 38-01	LID		1	
2	510 14 39-01	LATCH		1	
3	535 13 57-01	TORSION SPRING		1	
4	522 79 27-02	LABEL WARNING		1	
5	575 54 33-10	SCREW	Silver 10mm	2	
6	734 11 37-41	WASHER		2	
7	535 12 68-01	LOCK CLAMP		2	
8	535 13 02-01	TORSION SPRING		2	
9	535 13 53-01	PIVOT		2	
10	535 13 04-01	ANCHOR		1	
11	900 23 87-08	TIE WRAP		1	
12	535 08 98-01	CLIPS		1	
13	578 78 58-01	PLATE		1	
14	535 13 73-04	WIRING		1	
15	535 13 59-01	CHARGING PLATE		2	14
16	521 93 61-01	COVER WASHER		4	
17	535 13 01-01	SPRING		2	
18	535 12 93-03	SCREW IHPANM	M6x25	2	
19	575 54 33-06	SCREW	White 6mm	2	
20	535 12 93-04	SCREW IHPANM	M6x60	2	
21	521 93 60-01	SPACER		1	
22	575 54 33-12	SCREW	Yellow 12mm	1	
23	587 42 35-01	DECAL		1	
24	535 12 78-01	SHAFT		2	
25	575 54 33-10	SCREW	Silver 10mm	4	
26	510 14 40-01	BUTTON		1	
27	575 54 33-12	SCREW	Yellow 12mm	2	
28	578 90 33-01	KIT		1	
29	510 14 34-02	MAIN BODY		1	
30	578 89 37-01	SUPPORT		1	28
31	900 23 87-08	TIE WRAP		1	28
32	523 05 59-02	WIRING ASSY		2	28
33	535 13 04-01	ANCHOR		1	28
34	578 89 35-01	BRACKET	right	1	28
34	578 89 35-02	BRACKET	left	1	28
35	575 54 33-14	SCREW	Grey 14mm	4	
36	535 12 66-02	COVER		1	
37	510 14 37-02	MAIN BODY		1	
38	505 16 16-01	RIVET		4	
39	575 49 18-01	BRACKET	right	1	
39	575 49 71-01	BRACKET	left	1	
40	505 13 25-02	BRUSH		2	
41	575 49 10-01	BRUSH HOLDER		2	
42	734 11 37-41	WASHER		2	
43	575 54 33-14	SCREW	Grey 14mm	2	
44	734 11 37-41	WASHER		2	
45	535 13 03-40	SCREW IXPANT		2	
46	580 29 26-02	BODY		1	
47	586 29 10-01	LABEL	""Do not wash"" (10 pcs)"	1	